

HWH® PARTS MANUAL
SUB TABLE of CONTENTS
HYDRAULIC PUMPS
(Pump-Motor-Tank Assemblies | Motors | Tanks)

(Filename: MR30.XLS) (Revised: 10DEC15)

[ML11428-30 \(Click to View Entire Section | PDF File | No Internal Links | MR30-MR30Z\)](#)

- ▶ [Miscellaneous Web Pages \(Order Pages & Quick Reference Guide\)](#)
- ▶ [Monarch®](#)
- ▶ [Fenner Stone®](#)
- ▶ [Oildyne® Bi-Directional \(Reversible\)](#)
- ▶ [Parker®](#)
- ▶ [Webster®](#)

HYDRAULIC PUMPS (GENERAL)

| Miscellaneous Web Pages | Click to Link |
|---|---|
| Web Home Page for - "Hydraulic Motors / Tanks / P-M-T Assemblies" | MR300000.HTML |
| Web Page for - "Hydraulic Pump Motors" | MR301000_MTR.HTML Coming Soon |
| Web Page for - "Hydraulic Pump Tanks" | MR301000_TANK.HTML Coming Soon |
| Quick Reference Guide - "Hydraulic Pumps" | ml11428qr_011.html |

PUMP-MOTOR-TANK ASSEMBLIES
(EXPLODED PARTS/MOUNTING DIAGRAMS)

| MONARCH® | Click to Link |
|----------------------------|-------------------------------|
| Monarch® AP34764 - 12 Volt | MR30.3300 |
| Monarch® AP40331 - 12 Volt | MR30.3310 |
| Monarch® AP40332 - 12 Volt | MR30.3310 |
| Monarch® AP44644 - 12 Volt | MR30.3310 |
| Monarch® AP43986 - 12 Volt | MR30.3311 |
| Monarch® AP40922 - 12 Volt | MR30.3312 |
| Monarch® AP43913 - 12 Volt | MR30.3313 |
| Monarch® AP48930 - 12 Volt | MR30.3314 |
| Monarch® AP49078 - 12 Volt | MR30.3315 |
| Monarch® AP49228 - 12 Volt | MR30.3320 |
| Monarch® AP21692 - 12 Volt | MR30.3325 |
| Monarch® AP27063 - 12 Volt | MR30.3325 |
| Monarch® AP2260 - 12 Volt | MR30.3350 |
| Monarch® AP21255 - 12 Volt | MR30.3351 |
| Monarch® AP15117 - 12 Volt | MR30.3352 |
| Monarch® AP14012 - 24 Volt | MR30.3354 |
| Monarch® AP28050 - 12 Volt | MR30.3355 |
| Monarch® AP29577 - 12 Volt | MR30.3357 |
| Monarch® AP29281 - 12 Volt | MR30.3360 |
| Monarch® AP29578 - 12 Volt | MR30.3360 |
| Monarch® AP48249 - 12 Volt | MR30.3361 |
| Monarch® AP44296 - 12 Volt | MR30.3362 |
| Monarch® AP30348 - 12 Volt | MR30.3363 |
| Monarch® AP30349 - 12 Volt | MR30.3363 |

| | |
|---------------------------------------|---------------------------|
| Monarch® AP23956 - 12 Volt | MR30.3364 |
| Monarch® AP13334 - 12 Volt | MR30.3365 |
| Monarch® AP44512 - 12 Volt | MR30.3366 |
| Monarch® AP13335 - 12 Volt | MR30.3367 |
| Monarch® AP47729 - 12 Volt | MR30.3368 |
| Monarch® AP14013 - 24 Volt | MR30.3369 |
| Monarch® AP49096 - 12 Volt | MR30.3370 |
| Monarch® AP49167 - 12 Volt | MR30.3370 |
| Monarch® AP30794 - 24 Volt | MR30.3371 |
| Monarch® AP36181 - 24 Volt | MR30.3371 |
| Monarch® AP13333 - 12 Volt | MR30.3375 |
| Monarch® AP13332 - 12 Volt | MR30.3377 |
| Monarch® AP36604 - 12 Volt | MR30.3378 |
| Monarch® AP45098 - 12 Volt | MR30.3379 |
| Monarch® AP37344 - 24 Volt | MR30.3380 |
| Monarch® AP43190 - 115 Volt AC | MR30.3500 |
| Monarch® AP49003 - 24 Volt | MR30.3550 |
| Monarch® AP47717 - 24 Volt | MR30.3551 |
| Monarch® AP8178 - 12 Volt | MR30.3600 |
| Monarch® AP0630 - 12 Volt | MR30.3605 |
| Monarch® AP4931 - 12 Volt | MR30.3610 |

FENNER STONE®

| | |
|---------------------------------|---------------------------|
| Fenner Stone® AP0195 - 12 Volt | MR30.4000 |
| Fenner Stone® AP0588 - 12 Volt | MR30.4000 |
| Fenner Stone® AP0002 - 12 Volt | MR30.4500 |
| Fenner Stone® AP0071 - 12 Volt | MR30.4500 |
| Fenner Stone® AP9202 - 12 Volt | MR30.4520 |
| Fenner Stone® AP9500 - 12 Volt | MR30.4520 |
| Fenner Stone® AP11107 - 24 Volt | MR30.4525 |
| Fenner Stone® AP8086 - 12 Volt | MR30.4600 |
| Fenner Stone® AP8595 - 12 Volt | MR30.4600 |
| Fenner Stone® AP3913 - 12 Volt | MR30.4625 |
| Fenner Stone® AP4185 - 12 Volt | MR30.4625 |
| Fenner Stone® AP3916 - 12 Volt | MR30.4650 |
| Fenner Stone® AP0934 - 24 Volt | MR30.4675 |
| Fenner Stone® AP8388 - 12 Volt | MR30.4675 |
| Fenner Stone® AP4702 - 12 Volt | MR30.4750 |
| Fenner Stone® AP3910 - 12 Volt | MR30.4800 |

OILDYNE® BI-DIRECTIONAL

| | |
|----------------------------|---------------------------|
| Oildyne® AP11106 - 12 Volt | MR30.6399 |
| Oildyne® AP11515 - 12 Volt | MR30.6400 |
| Oildyne® AP17437 - 12 Volt | MR30.6405 |
| Oildyne® AP11101 - 12 Volt | MR30.6410 |
| Oildyne® AP13069 - 12 Volt | MR30.6410 |
| Oildyne® AP14195 - 12 Volt | MR30.6415 |
| Oildyne® AP12319 - 12 Volt | MR30.6420 |
| Oildyne® AP14222 - 12 Volt | MR30.6420 |
| Oildyne® AP17438 - 12 Volt | MR30.6420 |

| | |
|----------------------------|---------------------------|
| Oildyne® AP28608 - 12 Volt | MR30.6423 |
| Oildyne® AP35312 - 12 Volt | MR30.6425 |
| Oildyne® AP45497 - 12 Volt | MR30.6427 |
| Oildyne® AP46166 - 12 Volt | MR30.6429 |
| Oildyne® AP7136 - 12 Volt | MR30.6435 |
| Oildyne® AP0011 - 12 Volt | MR30.6450 |

PARKER®

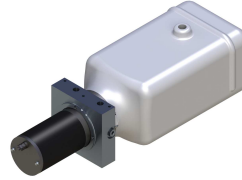
| | |
|---------------------------|---------------------------|
| Parker® AP29807 - 12 Volt | MR30.7000 |
| Parker® AP29808 - 12 Volt | MR30.7000 |
| Parker® AP1321 - 12 Volt | MR30.9970 |

WEBSTER®

| | |
|--|---------------------------|
| Webster® AP3349 - 12 Volt | MR30.9950 |
| Webster® AP3348 - 12 Volt | MR30.9955 |
| Webster® AP#### - 12 Volt | MR30.9960 |
| Parker® AP1321 - 12 Volt (See also "Parker®" section.) | MR30.9970 |

HWH® PARTS MANUAL
HYDRAULIC PUMPS
(Pump-Motor-Tank ("P-M-T") Assemblies | Power Units | Motors | Tanks)
(Filename: MR300000.DOC | Revised: 10DEC15)

PUMP-MOTOR-TANK ("P-M-T") ASSEMBLIES



[Quick Reference Guide](#)

*If you know the "P-M-T" or "P-M-T Assembly" (Power Unit) AP#,
Click Here for Replacement Parts
(ML11428QR_011.HTML)*

[Parts Manual Diagrams](#)

(MR30.HTML)

PUMP MOTORS – Coming Soon

(MR301000_MTR.HTML)

PUMP TANKS – Coming Soon

(MR301000_TANK.HTML)

LINK TO: [HWH® Install/Service Information "HYDRAULIC PUMP"](#)

LINK TO: [HWH® Parts Manual – Sub Table of Contents "HYDRAULIC PUMP"](#)

LINK TO: [HWH® Technical School - "HYDRAULIC PUMP"](#)

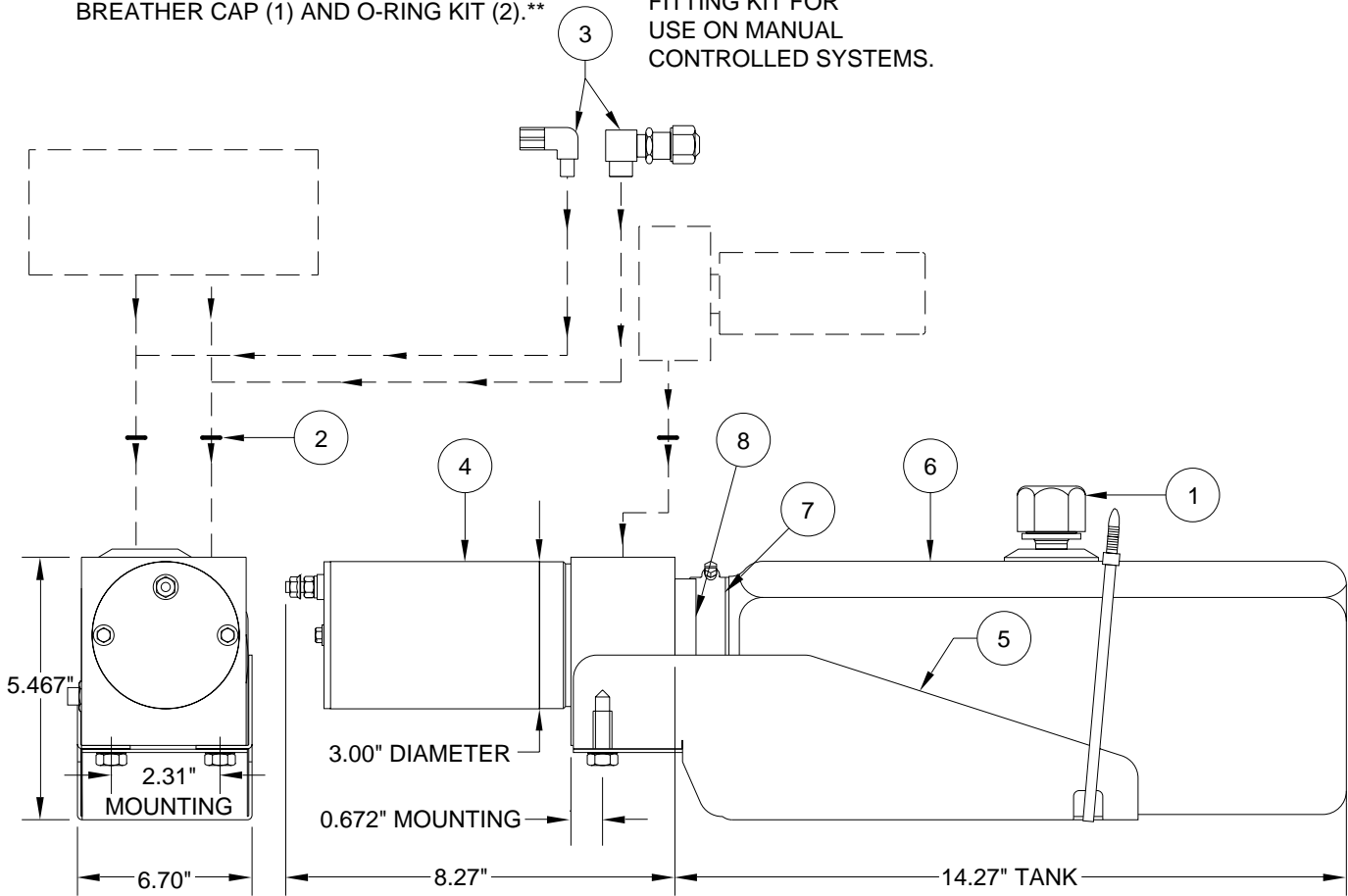
LINK TO: [HWH® Install/Service Information "HYDRAULIC OIL"](#)

PUMP/MOTOR/TANK ASSEMBLY AP34764 MONARCH - OBSOLETE

PUMP RELIEF IS SET AT 3500 PSI.

REPLACEMENT PUMP INCLUDES
BREATHER CAP (1) AND O-RING KIT (2).**

FITTING KIT FOR
USE ON MANUAL
CONTROLLED SYSTEMS.



**MONARCH
0.7 GALLON BOTTOM MOUNT
SUPPLIED 2005 TO 2007**

| ITEM | PART | QTY | DESCRIPTION | ITEM | PART | QTY | DESCRIPTION |
|------|-----------|-----|------------------------------------|------|----------|-----|--------------------------------|
| | RAP91912 | | POWER UNIT/BMM/0.7 GALLON 3" MOTOR | 5 | RAP91935 | 1 | TANK SUPPORT |
| 1 | RAP7876 | 1 | BREATHER CAP/ DIPSTICK | 6 | RP92029 | 1 | TANK 0.7 GALLON 14.27" LONG |
| 2 | ** R92957 | 1 | O-RING KIT | 7 | RP92030 | 1 | TANK BAND CLAMP |
| 3 | RAP0586 | 1 | FITTING KIT | 8 | RP92069 | 1 | O-RING TANK |
| 4 | RAP90311 | 1 | MOTOR KIT 3.00" | | | | |

**R92957 O-RING KIT INCLUDES (8) O2-015-9N
O-RINGS FOR 11/16" SPOT FACE ON MANIFOLD

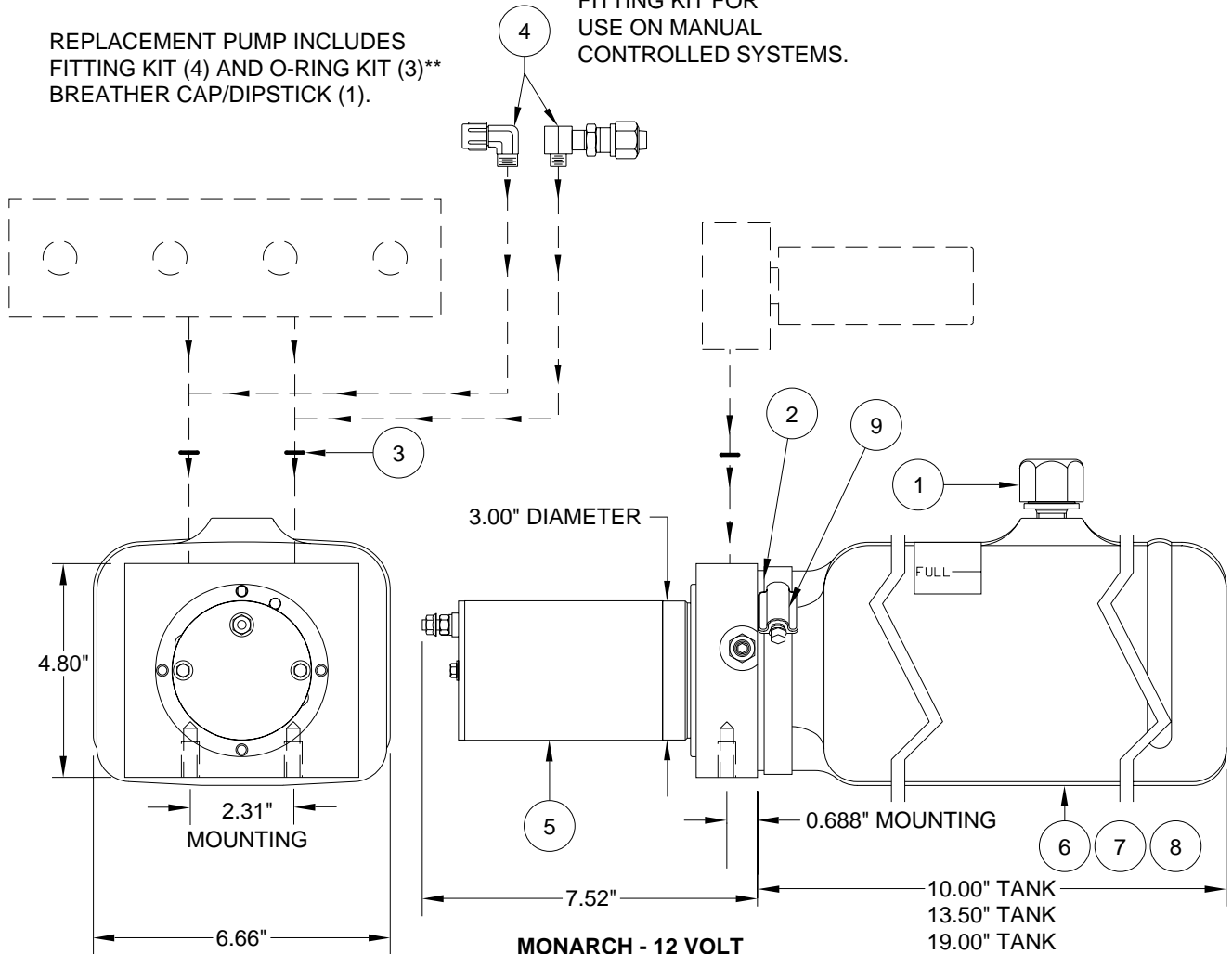
PUMP/MOTOR/TANK ASSEMBLY

AP40331/AP40332/AP44644 MONARCH

PUMP RELIEF IS SET AT 3500 PSI.

REPLACEMENT PUMP INCLUDES FITTING KIT (4) AND O-RING KIT (3)** BREATHER CAP/DIPSTICK (1).

FITTING KIT FOR USE ON MANUAL CONTROLLED SYSTEMS.



**MONARCH - 12 VOLT
3.00" MOTOR
SUPPLIED 2007 TO PRESENT**

| ITEM | PART | QTY | DESCRIPTION | ITEM | PART | QTY | DESCRIPTION |
|------|----------|-----|---|------|----------|-----|--|
| | RAP92088 | | POWER UNIT/BMM/0.8 GALLON 3.00" MOTOR (AP40331) | 4 | RAP0586 | 1 | FITTING KIT |
| | RAP92089 | | POWER UNIT/BMM/1.2 GALLON 3.00" MOTOR (AP40332) | 5 | RAP90311 | 1 | MOTOR KIT 3.00" |
| | RAP92589 | | POWER UNIT/BMM/1.6 GALLON 3.00" MOTOR (AP44644) | 6 | RP92196 | 1 | TANK 0.8 GALLON 10.00" X 5.46" X 6.50" |
| 1 | RAP7876 | 1 | BREATHER CAP/ DIPSTICK | 7 | RP92197 | 1 | TANK 1.2 GALLON 13.50" X 5.46" X 6.50" |
| 2 | RP5008 | 1 | O-RING TANK | 8 | RP92584 | 1 | TANK 1.6 GALLON 19.00" X 5.46" X 6.50" |
| 3 | **R92957 | 1 | O-RING KIT | 9 | RP92195 | 1 | TANK BAND CLAMP 4.50" |

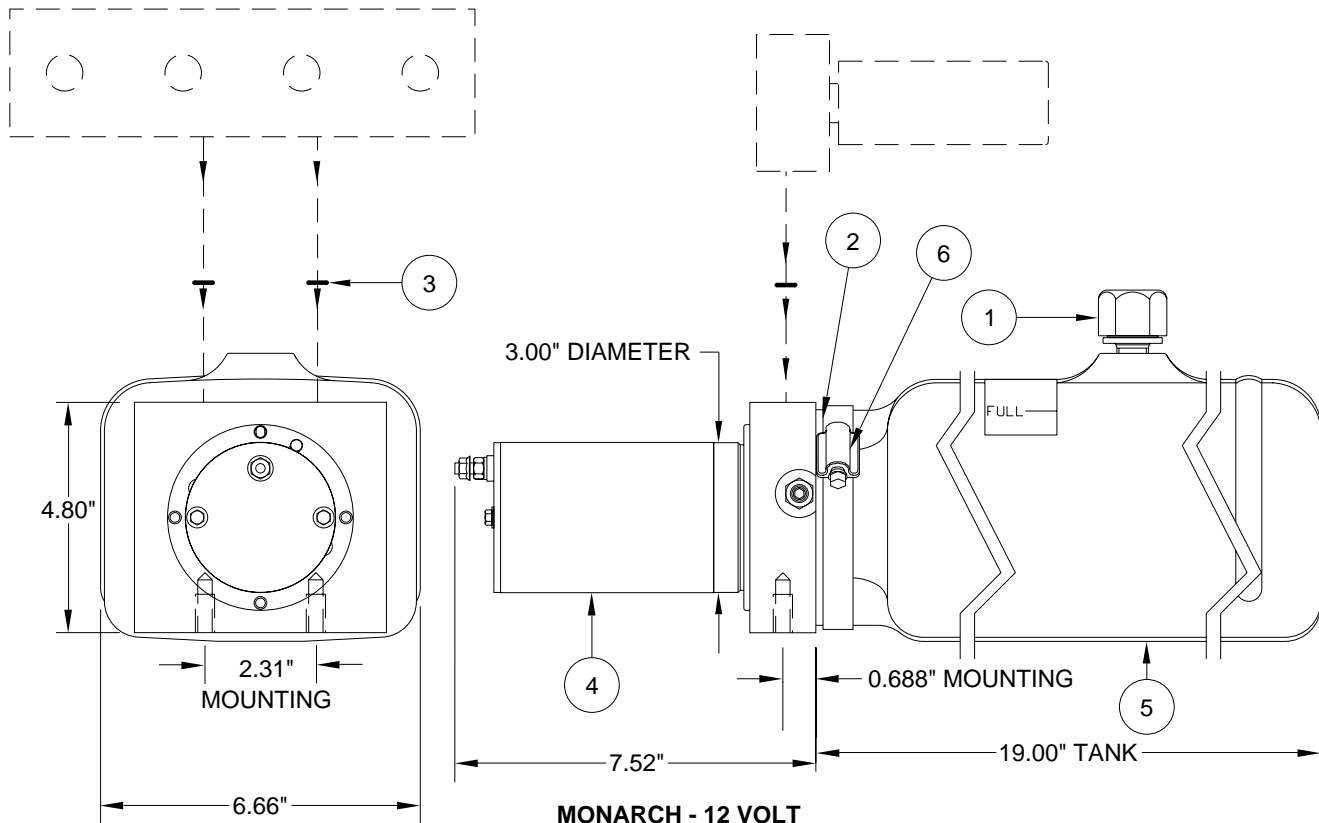
**R92957 O-RING KIT INCLUDES (8) O2-015-9N O-RINGS FOR 11/16" SPOT FACE ON MANIFOLD

PUMP/MOTOR/TANK ASSEMBLY

AP43986 MONARCH

PUMP RELIEF IS SET AT 3000 PSI.

REPLACEMENT PUMP INCLUDES
O-RING KIT (3)** AND
BREATHER CAP/DIPSTICK (1).



**MONARCH - 12 VOLT
3.00\"/>**

| ITEM | PART | QTY | DESCRIPTION | ITEM | PART | QTY | DESCRIPTION |
|------|----------|-----|---|------|----------|-----|--|
| | RAP92586 | | POWER UNIT/BMM/1.6 GALLON 3.00" MOTOR (AP43986) | 3 | **R92957 | 1 | O-RING KIT |
| 1 | RAP7876 | 1 | BREATHER CAP/ DIPSTICK | 4 | RAP90311 | 1 | MOTOR KIT 3.00" |
| 2 | RP5008 | 1 | O-RING TANK | 5 | RP92584 | 1 | TANK 1.6 GALLON 19.00" X 5.46" X 6.50" |
| | | | | 6 | RP92195 | 1 | TANK BAND CLAMP 4.50" |

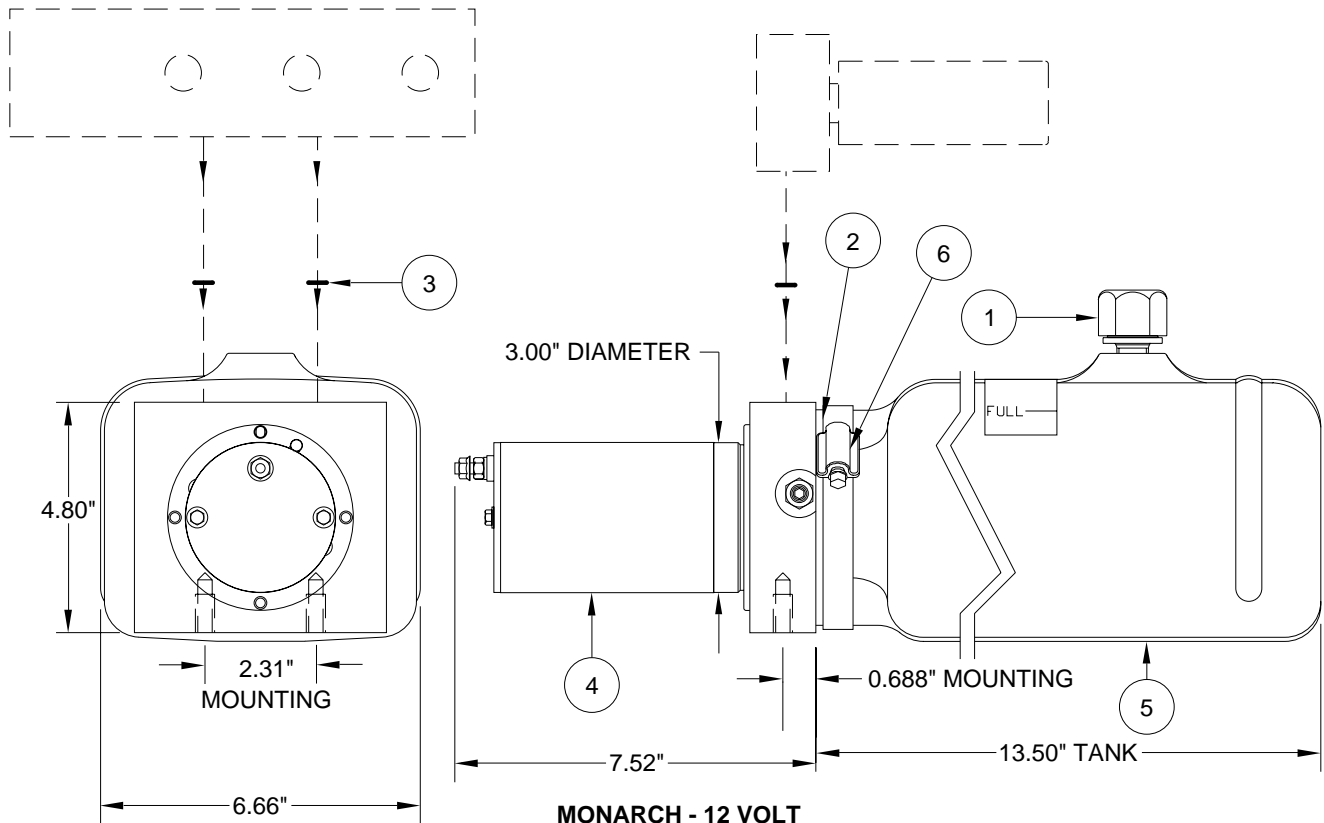
**R92957 O-RING KIT INCLUDES (8) O2-015-9N O-RINGS FOR 11/16" SPOT FACE ON MANIFOLD

PUMP/MOTOR/TANK ASSEMBLY

AP40922 MONARCH

PUMP RELIEF IS SET AT 3000 PSI. (SOME EARLY PUMPS ARE SET AT 2500 PSI.)

REPLACEMENT PUMP INCLUDES
O-RING KIT (3)** AND
BREATHER CAP/DIPSTICK (1).



**MONARCH - 12 VOLT
3.00" MOTOR
SUPPLIED 2007 TO PRESENT**

| ITEM | PART | QTY | DESCRIPTION | ITEM | PART | QTY | DESCRIPTION |
|------|----------|-----|---------------------------------------|------|----------|-----|--|
| | RAP92090 | | POWER UNIT/BMM/1.2 GALLON 3.00" MOTOR | 4 | RAP90311 | 1 | MOTOR KIT 3.00" |
| 1 | RAP7876 | 1 | BREATHER CAP/ DIPSTICK | 5 | RP92197 | 1 | TANK 1.2 GALLON 13.50" X 5.46" X 6.66" |
| 2 | RP5008 | 1 | O-RING TANK | 6 | RP92195 | 1 | TANK BAND CLAMP 4.50" |
| 3 | **R92957 | 1 | O-RING KIT | | | | |

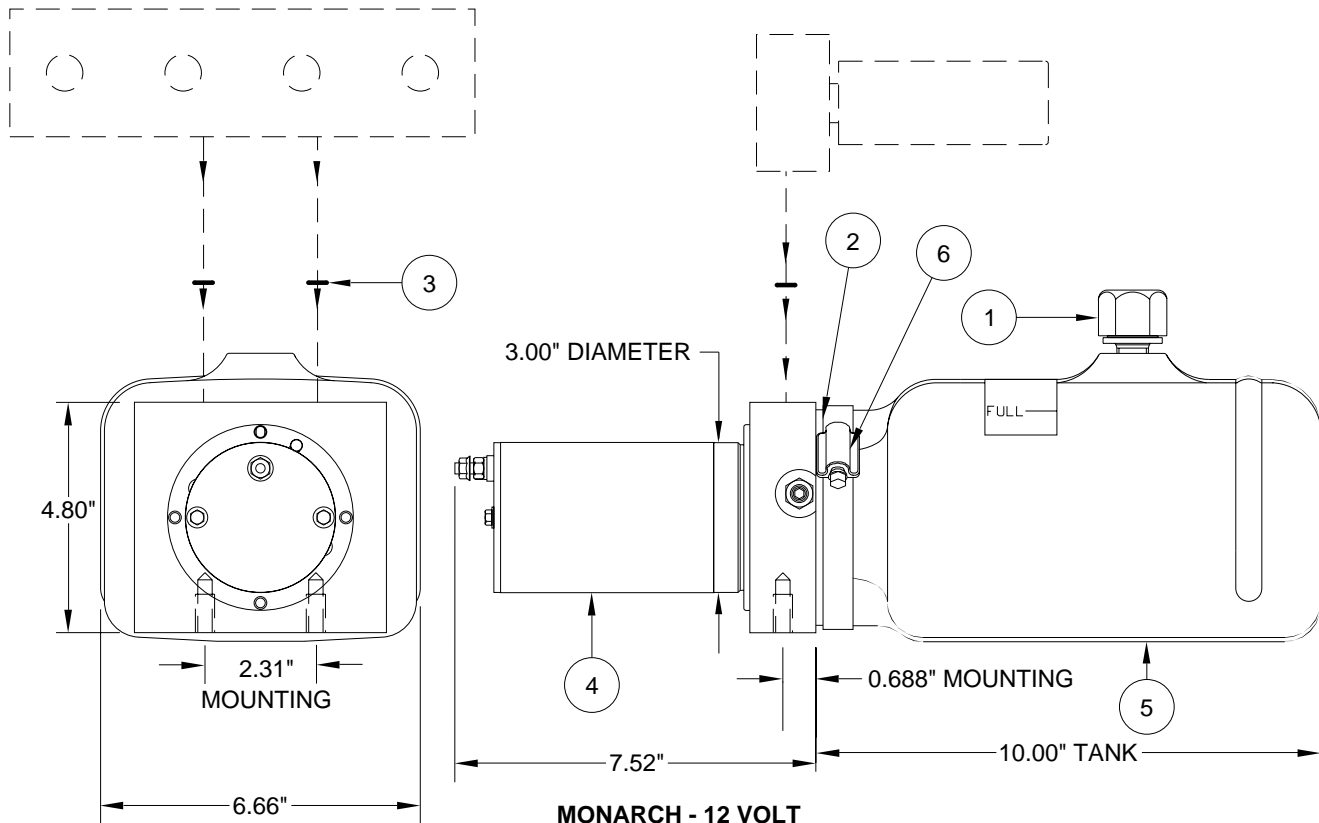
**R92957 O-RING KIT INCLUDES (8) O2-015-9N O-RINGS FOR 11/16" SPOT FACE ON MANIFOLD

PUMP/MOTOR/TANK ASSEMBLY

AP43913 MONARCH

PUMP RELIEF IS SET AT 2000 PSI.

REPLACEMENT PUMP INCLUDES
O-RING KIT (3)** AND
BREATHER CAP/DIPSTICK (1).



**MONARCH - 12 VOLT
3.00" MOTOR
SUPPLIED 2008 TO PRESENT**

| ITEM | PART | QTY | DESCRIPTION | ITEM | PART | QTY | DESCRIPTION |
|------|----------|-----|---|------|----------|-----|--|
| | RAP92585 | | POWER UNIT/BMM/0.8 GALLON 3.00" MOTOR (AP43913) | 3 | **R92957 | 1 | O-RING KIT |
| 1 | RAP7876 | 1 | BREATHER CAP/ DIPSTICK | 4 | RAP90311 | 1 | MOTOR KIT 3.00" |
| 2 | RP5008 | 1 | O-RING TANK | 5 | RP92196 | 1 | TANK 0.8 GALLON 10.00" X 5.46" X 6.50" |
| | | | | 6 | RP92195 | 1 | TANK BAND CLAMP 4.50" |

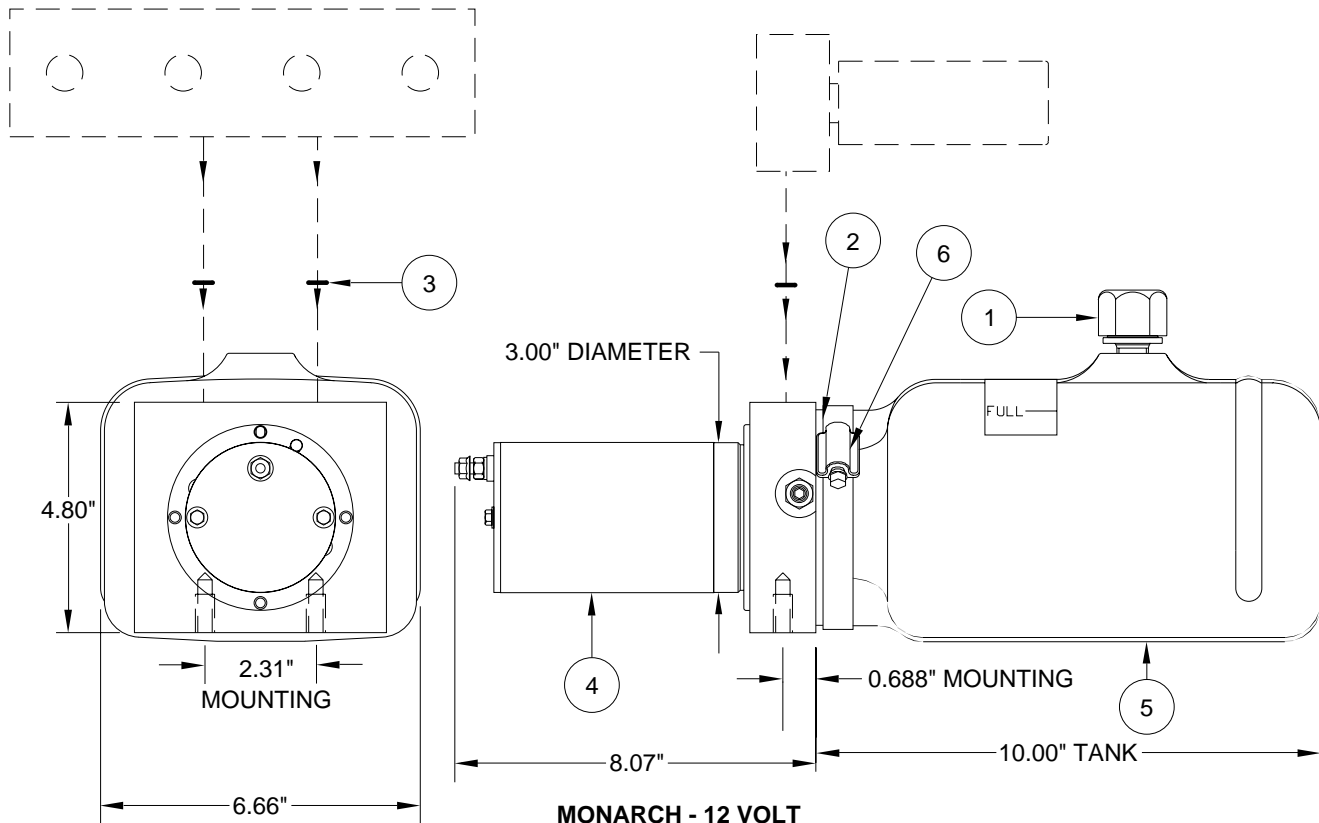
**R92957 O-RING KIT INCLUDES (8) O2-015-9N O-RINGS FOR 11/16" SPOT FACE ON MANIFOLD

PUMP/MOTOR/TANK ASSEMBLY

AP48930 MONARCH

PUMP RELIEF IS SET AT 3500 PSI.

REPLACEMENT PUMP INCLUDES
O-RING KIT (3)** AND
BREATHER CAP/DIPSTICK (1).



**MONARCH - 12 VOLT
3.00\"/>**

| ITEM | PART | QTY | DESCRIPTION | ITEM | PART | QTY | DESCRIPTION |
|------|----------|-----|------------------------------------|------|----------|-----|------------------------------|
| | RAP92953 | | POWER UNIT/BMM/0.8 GALLON 3.00\"/> | 3 | **R92957 | 1 | O-RING KIT |
| 1 | RAP7876 | 1 | BREATHER CAP/ DIPSTICK | 4 | RAP92952 | 1 | MOTOR KIT 3.00\"/> |
| 2 | RP5008 | 1 | O-RING TANK | 5 | RP92196 | 1 | TANK 0.8 GALLON 10.00\"/> |
| | | | | 6 | RP92195 | 1 | TANK BAND CLAMP 4.50\"/> |

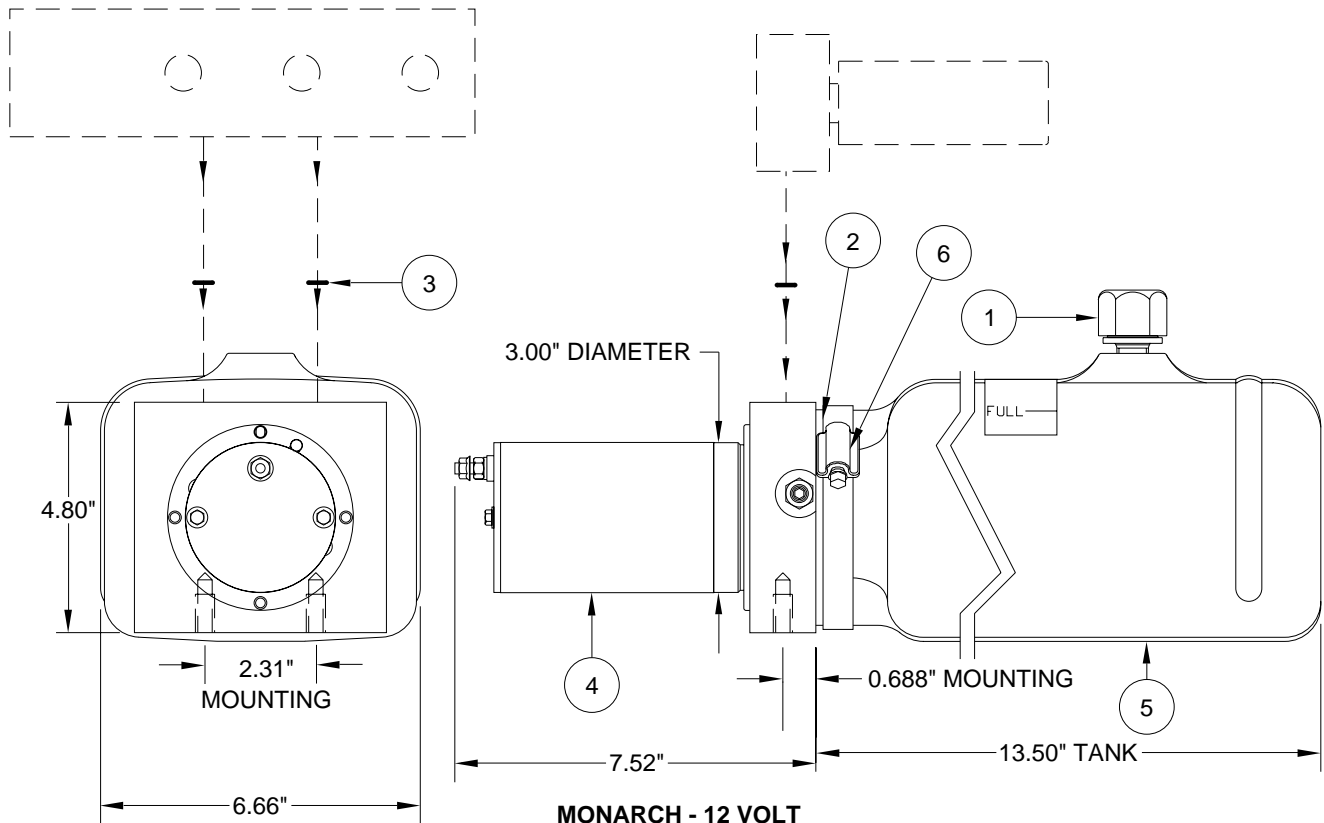
**R92957 O-RING KIT INCLUDES (8) O2-015-9N
O-RINGS FOR 11/16\"/>

PUMP/MOTOR/TANK ASSEMBLY

AP49078 MONARCH

PUMP RELIEF IS SET AT 2500 PSI.

REPLACEMENT PUMP INCLUDES
O-RING KIT (3)** AND
BREATHER CAP/DIPSTICK (1).



**MONARCH - 12 VOLT
3.00" MOTOR
SUPPLIED 2011 TO PRESENT**

| ITEM | PART | QTY | DESCRIPTION | ITEM | PART | QTY | DESCRIPTION |
|------|----------|-----|---------------------------------------|------|----------|-----|---|
| | RAP93086 | | POWER UNIT/BMM/1.2 GALLON 3.00" MOTOR | 4 | RAP90311 | 1 | MOTOR KIT 3.00" |
| 1 | RAP7876 | 1 | BREATHER CAP/ DIPSTICK | 5 | RP92197 | 1 | TANK 1.2 GALLON 13.50" X 5.46" X 6.66" |
| 2 | RP5008 | 1 | O-RING TANK | 6 | RP92195 | 1 | TANK BAND CLAMP 4.50" |
| 3 | **R92957 | 1 | O-RING KIT | | | | |

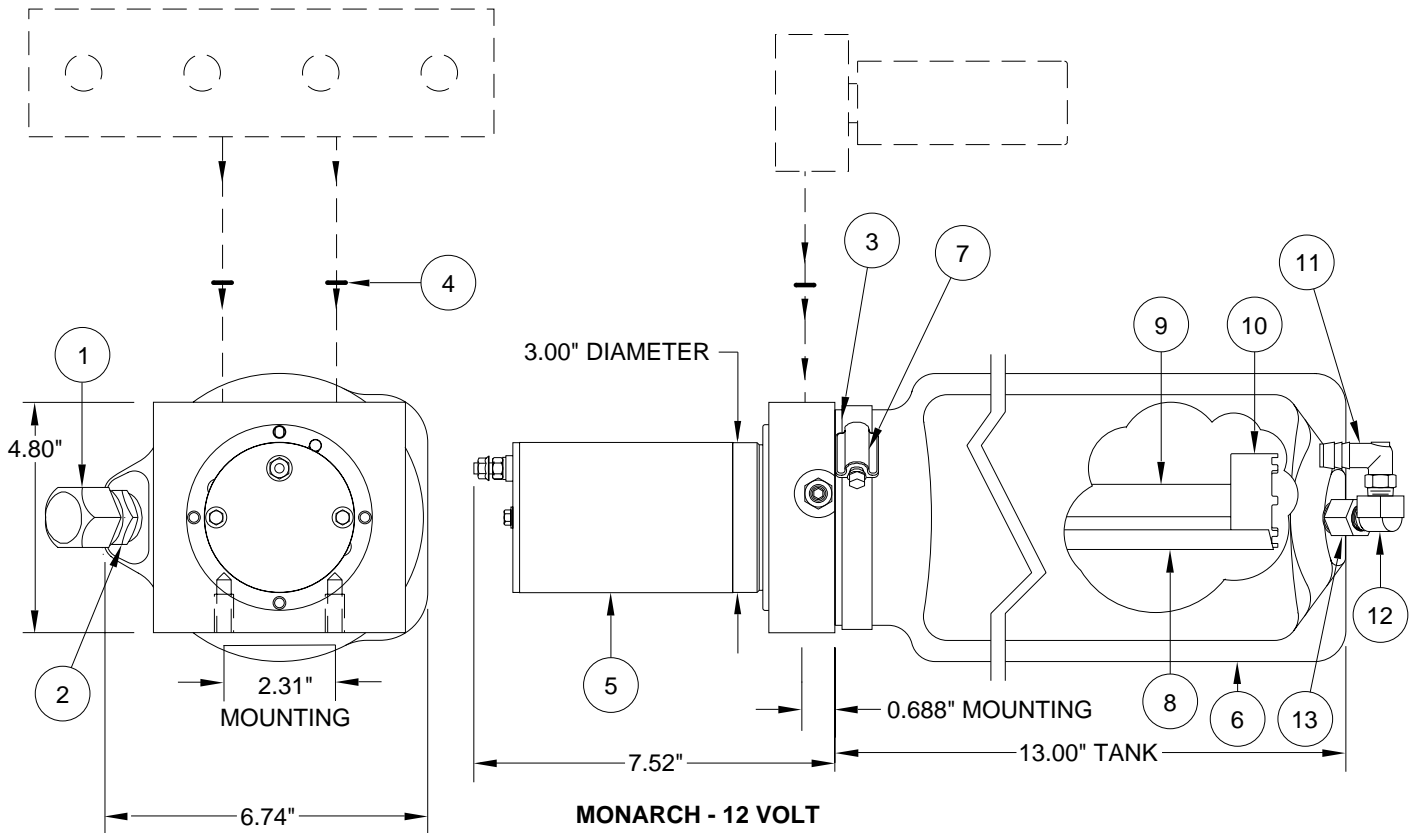
**R92957 O-RING KIT INCLUDES (8) O2-015-9N
O-RINGS FOR 11/16" SPOT FACE ON MANIFOLD

PUMP/MOTOR/TANK ASSEMBLY

AP49228 MONARCH

PUMP RELIEF IS SET AT 2500 PSI.

REPLACEMENT PUMP INCLUDES
REDUCER (2), O-RING KIT (3)**, AND
BREATHER CAP/DIPSTICK (1).



**MONARCH - 12 VOLT
3.00" MOTOR - VERTICAL MOUNT
SUPPLIED 2011 TO PRESENT**

| ITEM | PART | QTY | DESCRIPTION | ITEM | PART | QTY | DESCRIPTION |
|------|----------|-----|---|------|---------|-----|-----------------------------|
| | RAP93089 | | POWER UNIT/BMM/0.79 GALLON 3.00" MOTOR | 7 | RP92195 | 1 | TANK BAND CLAMP 4.50" |
| 1 | RAP7876 | 1 | BREATHER CAP/ DIPSTICK | 8 | RP93098 | 1 | DROP TUBE |
| 2 | RF93096 | 1 | REDUCER 3/4" x 3/8" | 9 | RP93097 | 1 | SUCTION TUBE |
| 3 | RP5008 | 1 | O-RING TANK | 10 | RP90417 | 1 | STRAINER |
| 4 | **R92957 | 1 | O-RING KIT | 11 | RF92598 | 1 | 1/4" NPT x 1/2" NYLON ELBOW |
| 5 | RAP90311 | 1 | MOTOR KIT 3.00" | 12 | RF3340 | 1 | 1/4" BRASS ELBOW |
| 6 | RP93088 | 1 | TANK 0.79 GALLON VERTICAL (INCLUDES ITEM 2) | 13 | RF93099 | 1 | 1/4" x 9/16" ADAPTER |

**R92957 O-RING KIT INCLUDES (8) O2-015-9N
O-RINGS FOR 11/16" SPOT FACE ON MANIFOLD

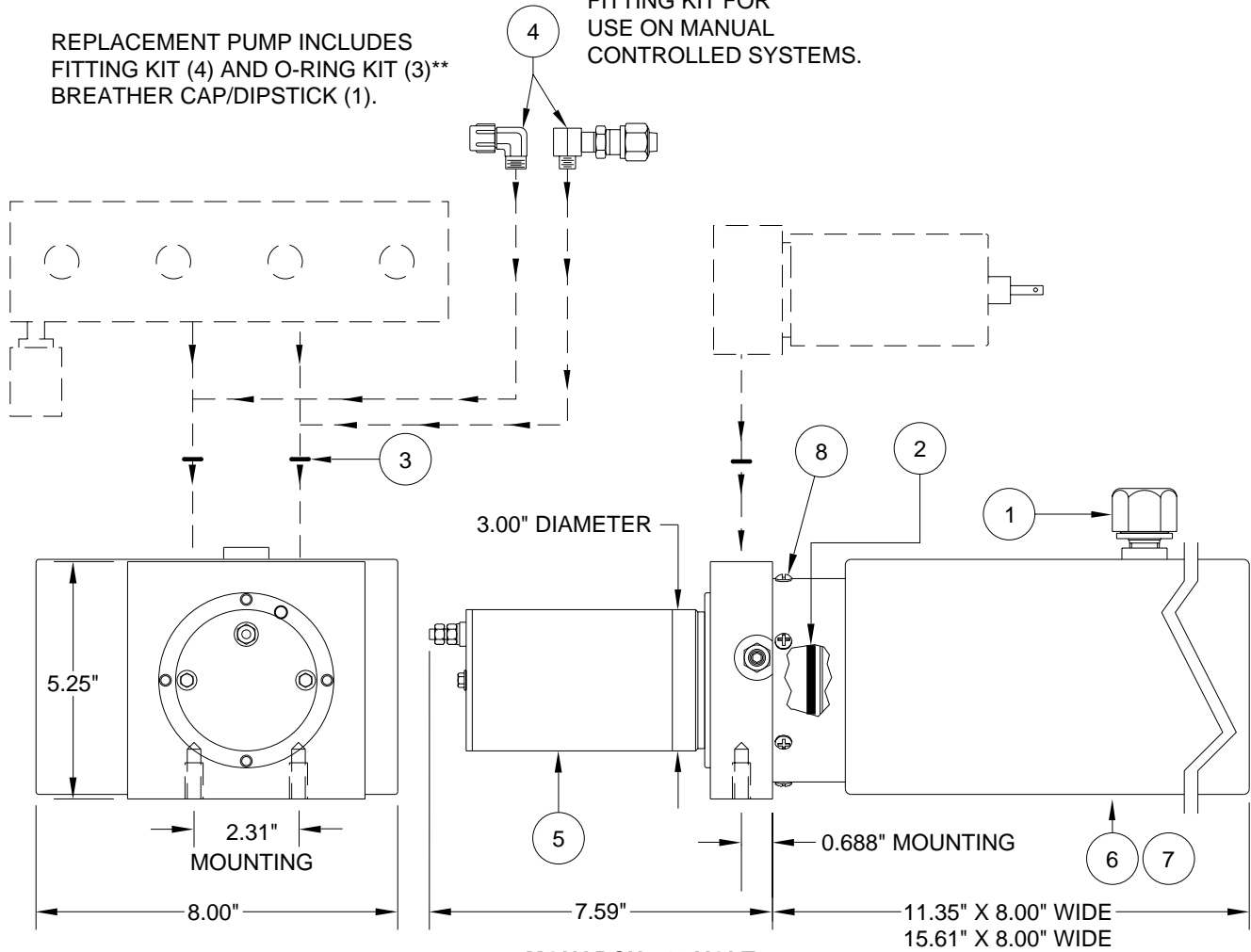
PUMP/MOTOR/TANK ASSEMBLY

AP21692/AP27063 MONARCH - OBSOLETE

PUMP RELIEF IS SET AT 3500 PSI.

REPLACEMENT PUMP INCLUDES FITTING KIT (4) AND O-RING KIT (3)** BREATHER CAP/DIPSTICK (1).

FITTING KIT FOR USE ON MANUAL CONTROLLED SYSTEMS.



**MONARCH - 12 VOLT
3.00" MOTOR
SUPPLIED 2000 TO 2004**

| ITEM | PART | QTY | DESCRIPTION | ITEM | PART | QTY | DESCRIPTION |
|------|----------|------------|---------------------------------------|------|----------|-----|---|
| | AP21692 | OBS | POWER UNIT/BMM/1.5 GALLON 3.00" MOTOR | 4 | RAP0586 | 1 | FITTING KIT |
| | AP27063 | OBS | POWER UNIT/BMM/2.0 GALLON 3.00" MOTOR | 5 | RAP90311 | 1 | MOTOR KIT 3.00" |
| 1 | RAP7876 | 1 | BREATHER CAP/ DIPSTICK | 6 | RP91692 | 1 | TANK 1.5 GALLON 11.35" X 5.25" X 8.00" |
| 2 | RP5008 | 1 | O-RING TANK | 7 | RP91694 | 1 | TANK 2.0 GALLON 15.61" X 5.25" X 8.00" |
| 3 | **R92957 | 1 | O-RING KIT | 8 | RAP90678 | 1 | HDWE TANK SCREWS |

NOTE : THIS POWER UNIT IS NO LONGER AVAILABLE. SOME PARTS FOR REBUILDING THESE PUMPS MAY BE AVAILABLE. SEE THE REPLACEMENT INFORMATION PAGE FOR REPLACEMENT PUMP.

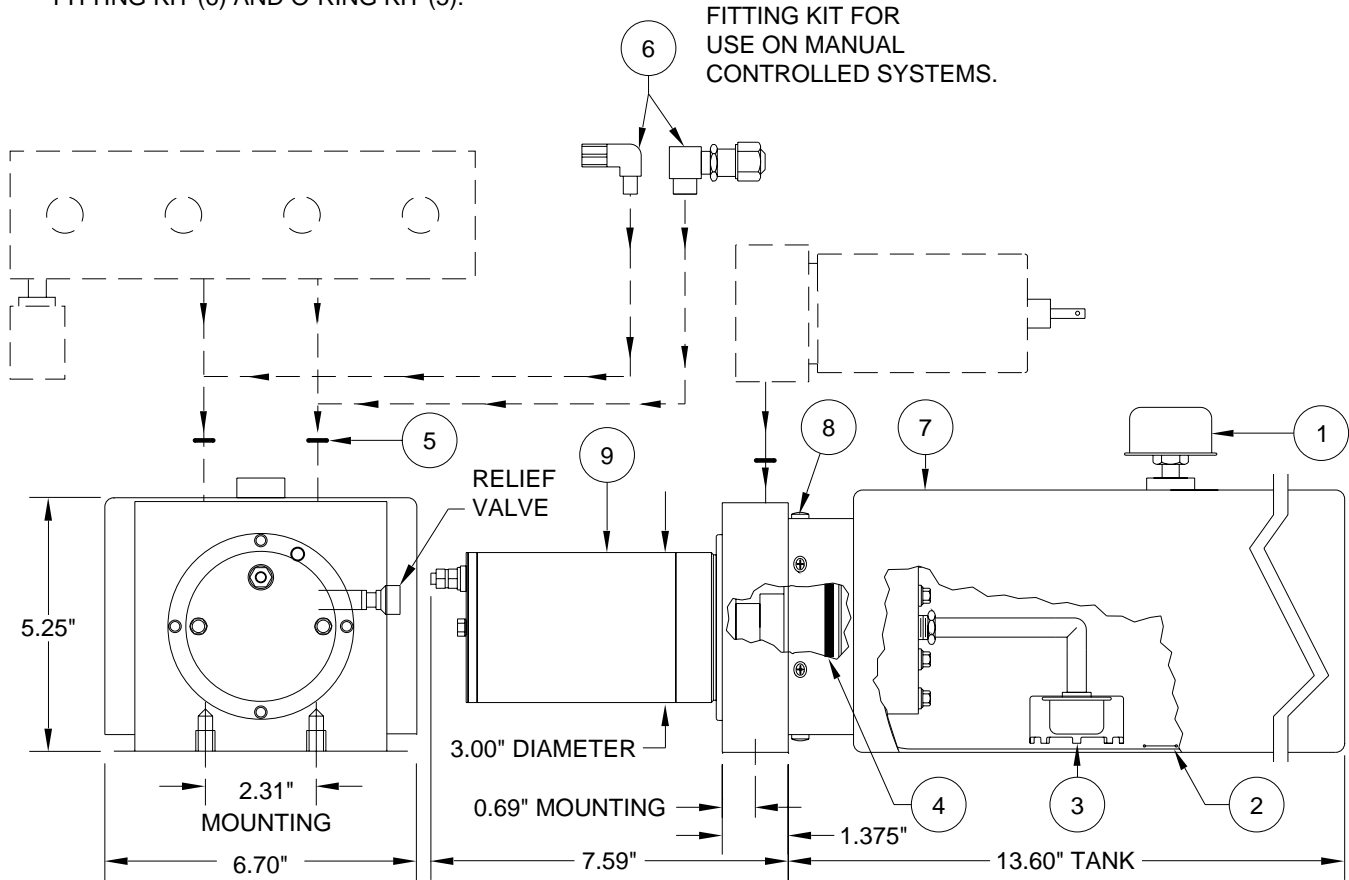
**R92957 O-RING KIT INCLUDES (8) O2-015-9N O-RINGS FOR 11/16" SPOT FACE ON MANIFOLD

PUMP/MOTOR/TANK ASSEMBLY

AP2260 MONARCH - 12 VOLT - OBSOLETE

PUMP RELIEF IS SET AT 3500 PSI.

REPLACEMENT PUMP INCLUDES FITTING KIT (6) AND O-RING KIT (5).**



**MONARCH - 12 VOLT (#72 GEAR)
1.5 GALLON BOTTOM MOUNT
SUPPLIED 1995 TO 2004**

| ITEM | PART | QTY | DESCRIPTION | ITEM | PART | QTY | DESCRIPTION |
|------|-----------|------------|-------------------------------------|------|----------|-----|--|
| | AP2260 | OBS | POWER UNIT/ BMM/1.5 GALLON 3" MOTOR | 7 | RP90100 | 1 | TANK 1.2 GAL. - PLASTIC 13.50" X 5.46" X 6.50" INCLUDES TANK MOUNTING BAND CLAMP |
| 1 | RAP7876 | 1 | BREATHER CAP / DIPSTICK | 8 | RAP90678 | 1 | HDWE TANK SCREWS |
| 2 | RP3526 | 1 | MAGNET | 9 | RAP90311 | 1 | MOTOR KIT 3.00" |
| 3 | RP5010 | 1 | STRAINER | | R5303 | | BRACKET KIT ADAPTS BOTTOM MOUNT PUMP TO SIDE MOUNT. |
| 4 | RP5008 | 1 | O-RING TANK | | | | |
| 5 | ** R92957 | 1 | O-RING KIT | | | | |
| 6 | RAP0586 | 1 | FITTING KIT | | | | |

NOTE : THIS POWER UNIT IS NO LONGER AVAILABLE. SOME PARTS FOR REBUILDING THESE PUMPS MAY BE AVAILABLE. SEE THE REPLACEMENT INFORMATION PAGE FOR REPLACEMENT PUMP.

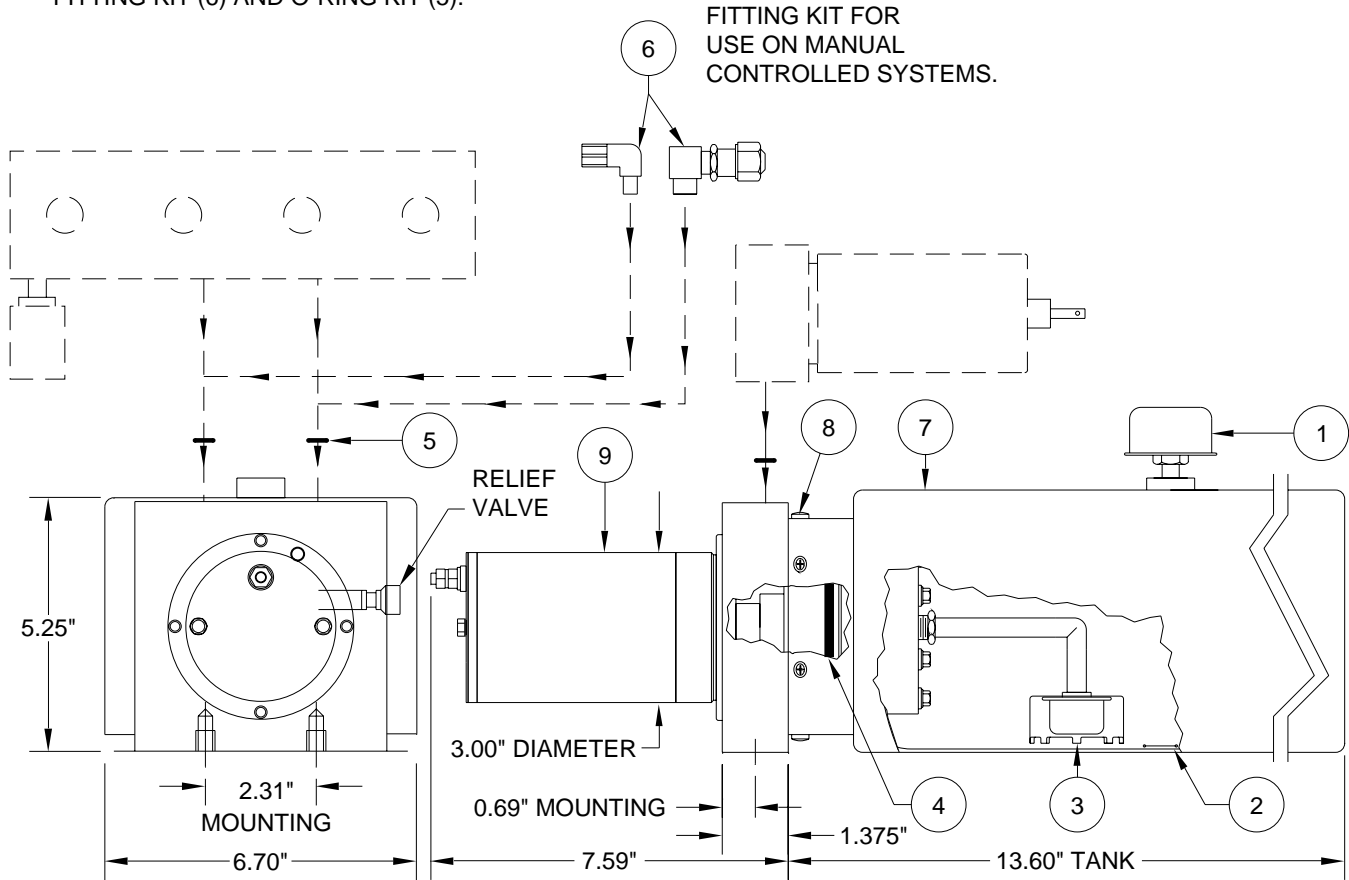
**R92957 O-RING KIT INCLUDES (8) O2-015-9N O-RINGS FOR 11/16" SPOT FACE ON MANIFOLD

PUMP/MOTOR/TANK ASSEMBLY

AP21255 MONARCH - 12 VOLT - OBSOLETE

PUMP RELIEF IS SET AT 3500 PSI.

REPLACEMENT PUMP INCLUDES
FITTING KIT (6) AND O-RING KIT (5).**



**MONARCH - 12 VOLT (#71 GEAR)
1.5 GALLON BOTTOM MOUNT
SUPPLIED 2000 TO 2003**

| ITEM | PART | QTY | DESCRIPTION | ITEM | PART | QTY | DESCRIPTION |
|------|-----------|------------|-------------------------------------|------|----------|-----|--|
| | AP21255 | OBS | POWER UNIT/ BMM/1.5 GALLON 3" MOTOR | 7 | RP90100 | 1 | TANK 1.2 GAL. - PLASTIC 13.50" X 5.46" X 6.50" INCLUDES TANK MOUNTING BAND CLAMP |
| 1 | RAP7876 | 1 | BREATHER CAP / DIPSTICK | 8 | RAP90678 | 1 | HDWE TANK SCREWS |
| 2 | RP3526 | 1 | MAGNET | 9 | RAP90311 | 1 | MOTOR KIT 3.00" |
| 3 | RP5010 | 1 | STRAINER | | R5303 | | BRACKET KIT ADAPTS BOTTOM MOUNT PUMP TO SIDE MOUNT. |
| 4 | RP5008 | 1 | O-RING TANK | | | | |
| 5 | ** R92957 | 1 | O-RING KIT | | | | |
| 6 | RAP0586 | 1 | FITTING KIT | | | | |

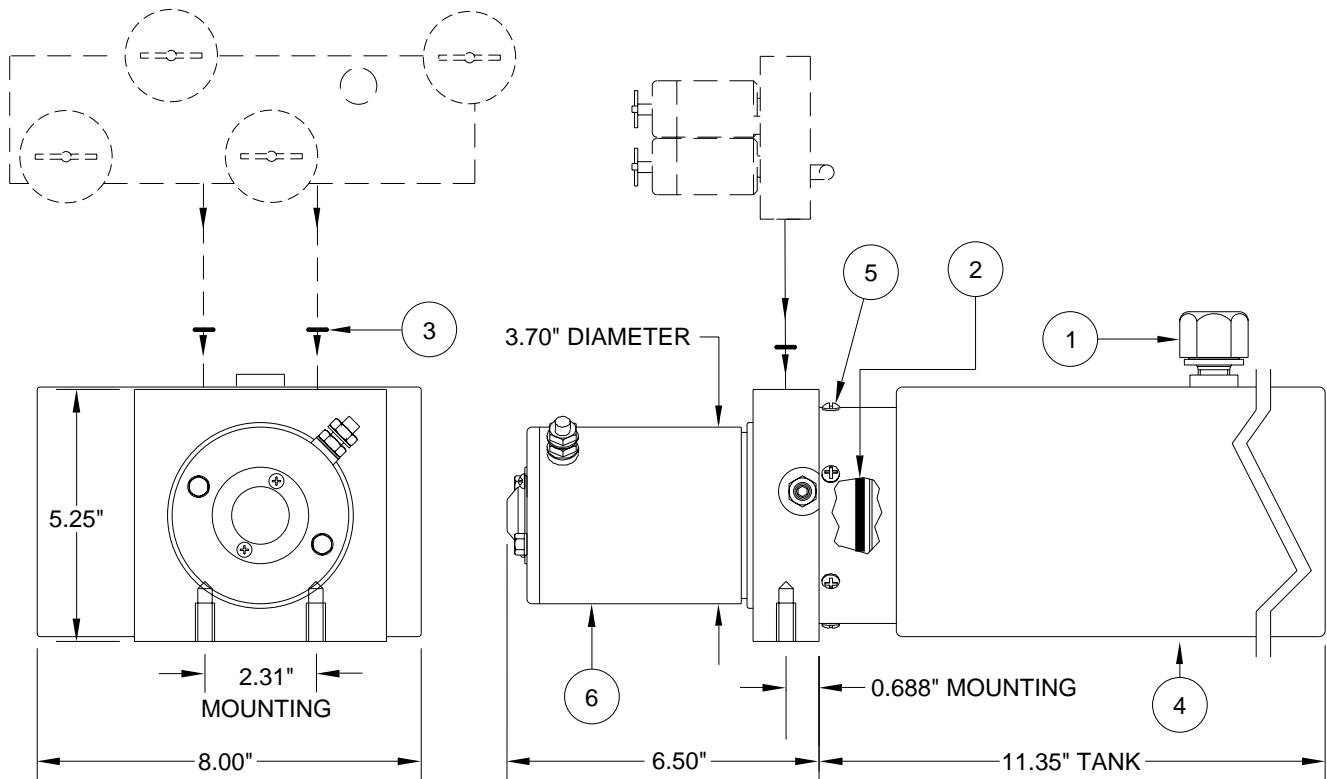
NOTE : THIS POWER UNIT IS NO LONGER AVAILABLE. SOME PARTS FOR REBUILDING THESE PUMPS MAY BE AVAILABLE. SEE THE REPLACEMENT INFORMATION PAGE FOR REPLACEMENT PUMP.

**R92957 O-RING KIT INCLUDES (8) O2-015-9N O-RINGS FOR 11/16" SPOT FACE ON MANIFOLD

PUMP/MOTOR/TANK ASSEMBLY AP15117 MONARCH - 12 VOLT

PUMP RELIEF IS SET AT 2000 PSI. THIS PUMP IS NOT USED WITH LEVELING SYSTEMS.

REPLACEMENT PUMP INCLUDES
O-RING KIT (3).**



MONARCH - 12 VOLT 1.5 GALLON BOTTOM MOUNT SUPPLIED 1995 TO PRESENT

| ITEM | PART | QTY | DESCRIPTION | ITEM | PART | QTY | DESCRIPTION |
|------|----------|-----|--|------|-----------|-----|---|
| | RAP90400 | | POWER UNIT/ BMM/1.5 GALLON 3" MOTOR 2000 PSI | 3 | ** R92957 | 1 | O-RING KIT |
| 1 | RAP7876 | 1 | BREATHER CAP/ DIPSTICK | 4 | RP91692 | 1 | TANK 1.5 GALLON 11.35" X 5.25" X 8.00" |
| 2 | RP5008 | 1 | O-RING TANK | 5 | RAP90678 | 1 | HDWE TANK SCREWS |
| | | | | 6 | RAP91249 | 1 | MOTOR KIT 3.70" |
| | | | | | R5303 | | BRACKET KIT ADAPTS BOTTOM MOUNT PUMP TO SIDE MOUNT. |

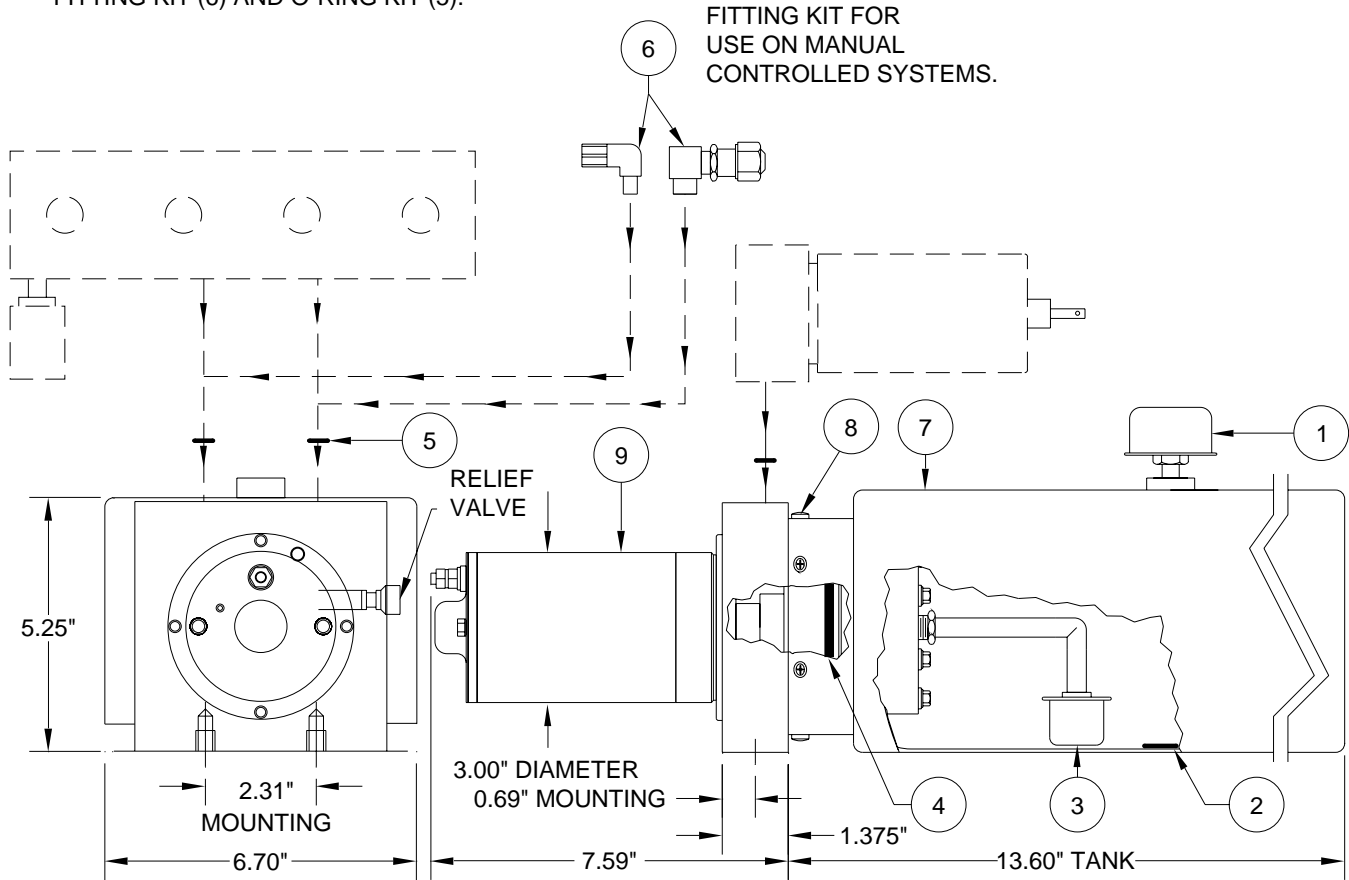
**R92957 O-RING KIT INCLUDES (8) O2-015-9N O-RINGS FOR 11/16" SPOT FACE ON MANIFOLD

PUMP/MOTOR/TANK ASSEMBLY

AP14012 MONARCH - 24 VOLT - OBSOLETE

PUMP RELIEF IS SET AT 3500 PSI.

REPLACEMENT PUMP INCLUDES FITTING KIT (6) AND O-RING KIT (5).



**MONARCH - 24 VOLT
1.5 GALLON BOTTOM MOUNT
SUPPLIED 1997 TO 2004**

| ITEM | PART | QTY | DESCRIPTION | ITEM | PART | QTY | DESCRIPTION |
|------|-----------|------------|-------------------------------------|------|----------|-----|--|
| | AP14012 | OBS | POWER UNIT/ BMM/1.5 GALLON 3" MOTOR | 7 | RP90100 | 1 | TANK 1.2 GAL. - PLASTIC 13.50" X 5.46" X 6.50" INCLUDES TANK MOUNTING BAND CLAMP |
| 1 | RAP7876 | 1 | BREATHER CAP / DIPSTICK | 8 | RAP90678 | 1 | HDWE TANK SCREWS |
| 2 | RP3526 | 1 | MAGNET | 9 | RAP90409 | 1 | MOTOR KIT 3.00" 24V |
| 3 | RP5010 | 1 | STRAINER | | R5303 | | BRACKET KIT ADAPTS BOTTOM MOUNT PUMP TO SIDE MOUNT. |
| 4 | RP5008 | 1 | O-RING TANK | | | | |
| 5 | ** R92957 | 1 | O-RING KIT | | | | |
| 6 | RAP0586 | 1 | FITTING KIT (INCLUDES ITEM 5) | | | | |

NOTE : THIS POWER UNIT IS NO LONGER AVAILABLE. SOME PARTS FOR REBUILDING THESE PUMPS MAY BE AVAILABLE. SEE THE REPLACEMENT INFORMATION PAGE FOR REPLACEMENT PUMP.

**R92957 O-RING KIT INCLUDES (8) O2-015-9N O-RINGS FOR 11/16" SPOT FACE ON MANIFOLD

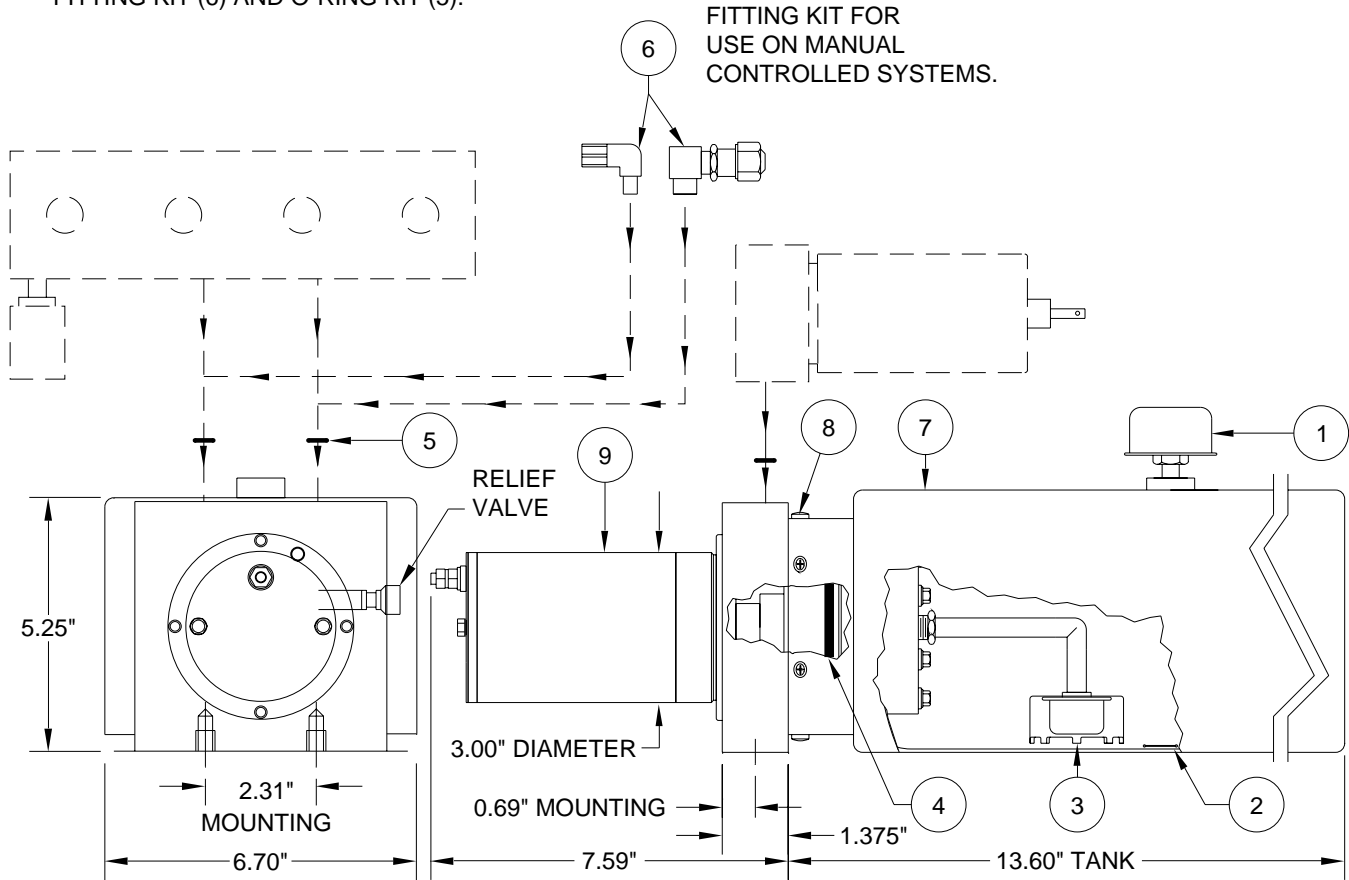
**MR30.3354
30APR13**

PUMP/MOTOR/TANK ASSEMBLY

AP28050 MONARCH - 12 VOLT - OBSOLETE

PUMP RELIEF IS SET AT 1500 PSI.

REPLACEMENT PUMP INCLUDES FITTING KIT (6) AND O-RING KIT (5).**



**MONARCH - 12 VOLT (#71 GEAR)
1.5 GALLON BOTTOM MOUNT
SUPPLIED 2002 TO 2003**

| ITEM | PART | QTY | DESCRIPTION | ITEM | PART | QTY | DESCRIPTION |
|------|-----------|------------|--|------|----------|-----|--|
| | AP28050 | OBS | POWER UNIT/ BMM/1.5 GALLON 3" MOTOR (PRESSURE SET AT 1500 PSI) | 6 | RAP0586 | 1 | FITTING KIT |
| 1 | RAP7876 | 1 | BREATHER CAP / DIPSTICK | 7 | RP90100 | 1 | TANK 1.2 GAL. - PLASTIC 13.50" X 5.46" X 6.50" INCLUDES TANK MOUNTING BAND CLAMP |
| 2 | RP3526 | 1 | MAGNET | 8 | RAP90678 | 1 | HDWE TANK SCREWS |
| 3 | RP5010 | 1 | STRAINER | 9 | RAP90311 | 1 | MOTOR KIT 3.00" |
| 4 | RP5008 | 1 | O-RING TANK | | R5303 | | BRACKET KIT ADAPTS BOTTOM MOUNT PUMP TO SIDE MOUNT. |
| 5 | ** R92957 | 1 | O-RING KIT | | | | |

NOTE : THIS POWER UNIT IS NO LONGER AVAILABLE. SOME PARTS FOR REBUILDING THESE PUMPS MAY BE AVAILABLE. SEE THE REPLACEMENT INFORMATION PAGE FOR REPLACEMENT PUMP.

**R92957 O-RING KIT INCLUDES (8) O2-015-9N O-RINGS FOR 11/16" SPOT FACE ON MANIFOLD

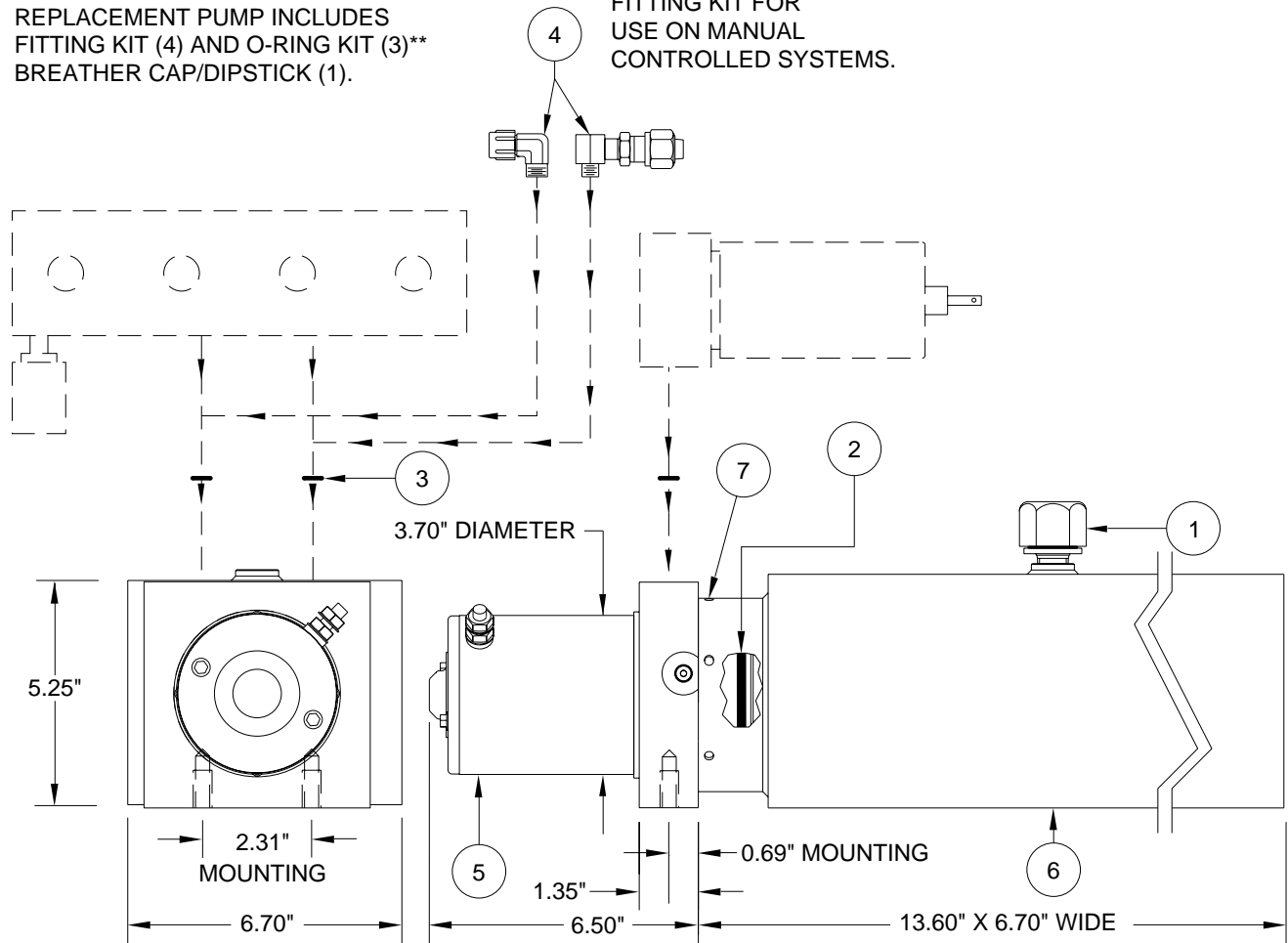
PUMP/MOTOR/TANK ASSEMBLY

AP29577 MONARCH - OBSOLETE

PUMP RELIEF IS SET AT 3500 PSI.

REPLACEMENT PUMP INCLUDES FITTING KIT (4) AND O-RING KIT (3)** BREATHER CAP/DIPSTICK (1).

FITTING KIT FOR USE ON MANUAL CONTROLLED SYSTEMS.



**MONARCH - 12 VOLT
1.5 GALLON BOTTOM MOUNT
SUPPLIED 2002 TO 2006**

| ITEM | PART | QTY | DESCRIPTION | ITEM | PART | QTY | DESCRIPTION |
|------|----------|------------|---------------------------------------|------|----------|-----|--|
| | AP29577 | OBS | POWER UNIT/ BMM/1.5 GALLON 3.7" MOTOR | 5 | RAP91249 | 1 | MOTOR 3.70" |
| 1 | RAP7876 | 1 | BREATHER CAP/ DIPSTICK | 6 | RP90100 | 1 | TANK 1.2 GAL. - PLASTIC 13.50" X 5.46" X 6.50" INCLUDES TANK MOUNTING BAND CLAMP |
| 2 | RP5008 | 1 | O-RING TANK | 7 | RAP90678 | 1 | HDWE TANK SCREWS |
| 3 | **R92957 | 1 | O-RING KIT | | | | |
| 4 | RAP0586 | 1 | FITTING KIT | | | | |

NOTE : THIS POWER UNIT IS NO LONGER AVAILABLE. SOME PARTS FOR REBUILDING THESE PUMPS MAY BE AVAILABLE. SEE THE REPLACEMENT INFORMATION PAGE FOR REPLACEMENT PUMP.

**R92957 O-RING KIT INCLUDES (8) O2-015-9N O-RINGS FOR 11/16" SPOT FACE ON MANIFOLD

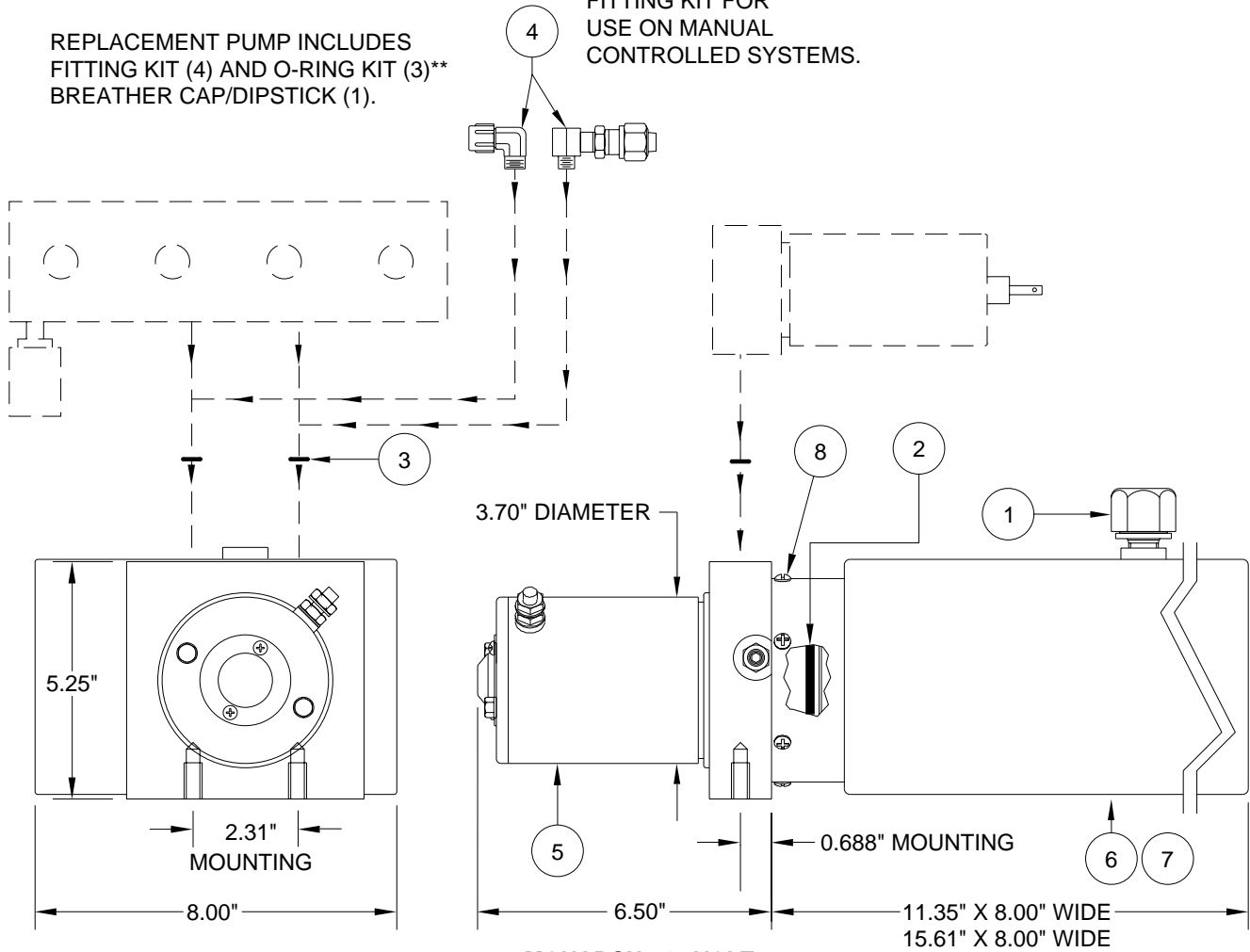
PUMP/MOTOR/TANK ASSEMBLY

AP29281/AP29578 MONARCH

PUMP RELIEF IS SET AT 3500 PSI.

REPLACEMENT PUMP INCLUDES FITTING KIT (4) AND O-RING KIT (3)** BREATHER CAP/DIPSTICK (1).

FITTING KIT FOR USE ON MANUAL CONTROLLED SYSTEMS.



**MONARCH - 12 VOLT
3.70" MOTOR
SUPPLIED 2002 TO PRESENT**

| ITEM | PART | QTY | DESCRIPTION | ITEM | PART | QTY | DESCRIPTION |
|------|----------|-----|--|------|----------|-----|---|
| | RAP91281 | | POWER UNIT/BMM/1.5 GALLON 3.7" MOTOR (AP29281) | 3 | **R92957 | 1 | O-RING KIT |
| | RAP91686 | | POWER UNIT/BMM/2.0 GALLON 3.7" MOTOR (AP29578) | 4 | RAP0586 | 1 | FITTING KIT |
| 1 | RAP7876 | 1 | BREATHER CAP/DIPSTICK | 5 | RAP91249 | 1 | MOTOR KIT 3.70" |
| 2 | RP5008 | 1 | O-RING TANK | 6 | RP91692 | 1 | TANK 1.5 GALLON 11.35" X 5.25" X 8.00" |
| | | | | 7 | RP91694 | 1 | TANK 2.0 GALLON 15.61" X 5.25" X 8.00" |
| | | | | 8 | RAP90678 | 1 | HDWE TANK SCREWS |

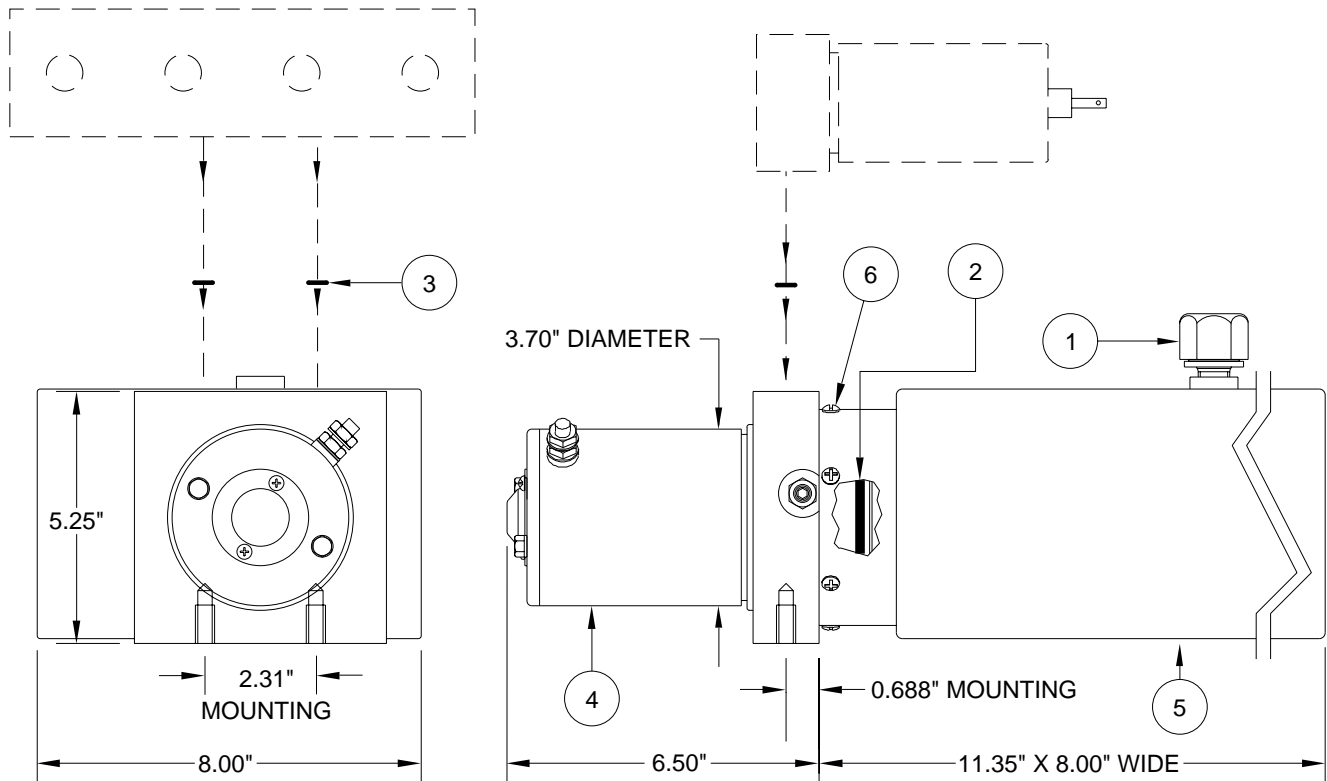
**R92957 O-RING KIT INCLUDES (8) O2-015-9N O-RINGS FOR 11/16" SPOT FACE ON MANIFOLD

PUMP/MOTOR/TANK ASSEMBLY

AP48249 MONARCH

PUMP RELIEF IS SET AT 1600 PSI.

REPLACEMENT PUMP INCLUDES
BREATHER CAP/DIPSTICK (1) AND
O-RING KIT (3)**.



**MONARCH - 12 VOLT
3.70" MOTOR
SUPPLIED 2011 TO PRESENT**

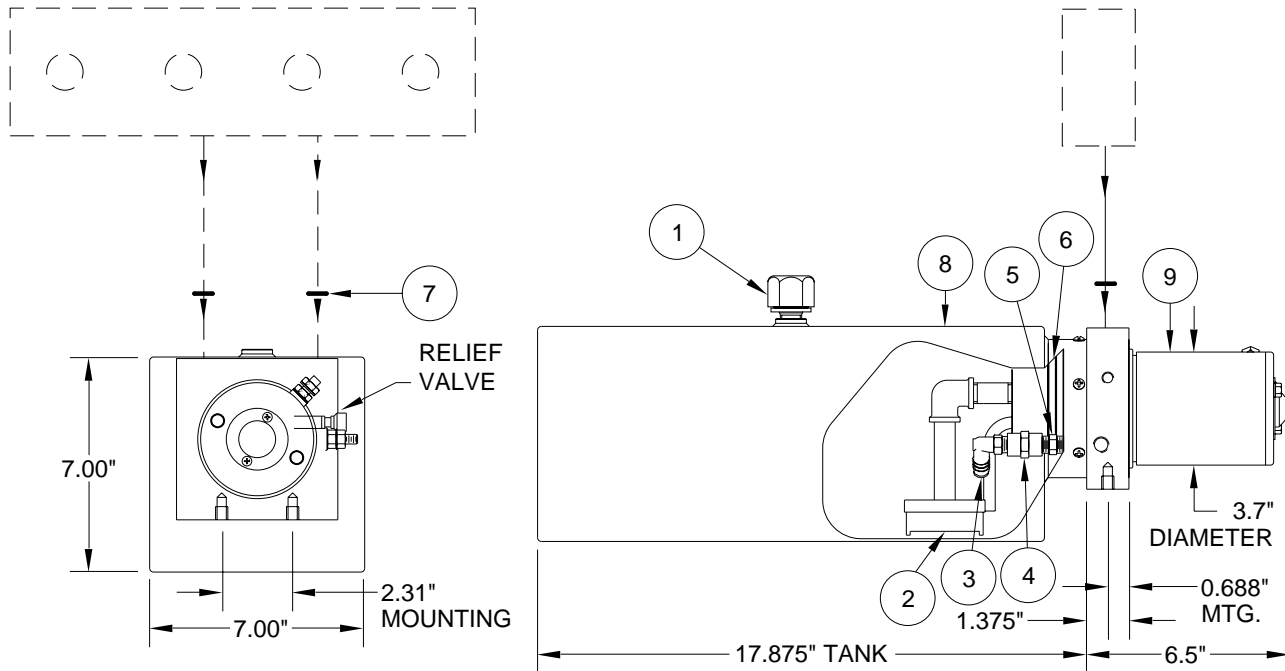
| ITEM | PART | QTY | DESCRIPTION | ITEM | PART | QTY | DESCRIPTION |
|------|----------|-----|--------------------------------------|------|----------|-----|---|
| | RAP93085 | | POWER UNIT/BMM/1.5 GALLON 3.7" MOTOR | 3 | **R92957 | 1 | O-RING KIT |
| 1 | RAP7876 | 1 | BREATHER CAP/ DIPSTICK | 4 | RAP91249 | 1 | MOTOR KIT 3.70" |
| 2 | RP5008 | 1 | O-RING TANK | 5 | RP91692 | 1 | TANK 1.5 GALLON 11.35" X 5.25" X 8.00" |
| | | | | 6 | RAP90678 | 1 | HDWE TANK SCREWS |

**R92957 O-RING KIT INCLUDES (8) O2-015-9N
O-RINGS FOR 11/16" SPOT FACE ON MANIFOLD

PUMP/MOTOR/TANK ASSEMBLY AP44296 MONARCH

PUMP RELIEF IS SET AT 3500 PSI.

REPLACEMENT PUMP INCLUDES
O-RING KIT (5) AND
BREATHER CAP/DIPSTICK (1).



**MONARCH - 12 VOLT
3.5 GALLON BOTTOM MOUNT
SUPPLIED 2009 TO PRESENT**

| ITEM | PART | QTY | DESCRIPTION | ITEM | PART | QTY | DESCRIPTION |
|------|----------|-----|--------------------------------------|------|-----------|-----|--|
| | RAP92587 | | POWER UNIT/BMM/3.5 GALLON 3.7" MOTOR | 5 | RF6011 | 1 | 1/4" NPT NIPPLE |
| 1 | RAP7876 | 1 | BREATHER CAP/ DIPSTICK | 6 | RP5008 | 1 | O-RING TANK |
| 2 | RP90417 | 1 | STRAINER | 7 | ** R92957 | 1 | O-RING KIT |
| 3 | RF92598 | 1 | 1/4" NPT x 1/2" NYLON ELBOW | 8 | RP90418 | 1 | TANK 3.5 GAL. 17.875" X 7.00" X 7.00" RECT. |
| 4 | RF5599 | 1 | 1/4" NPT COUPLING | 9 | RAP91249 | 1 | MOTOR KIT 3.7" |

**R92957 O-RING KIT INCLUDES (8) O2-015-9N
O-RINGS FOR 11/16" SPOT FACE ON MANIFOLD

**MR30.3362
11FEB13**

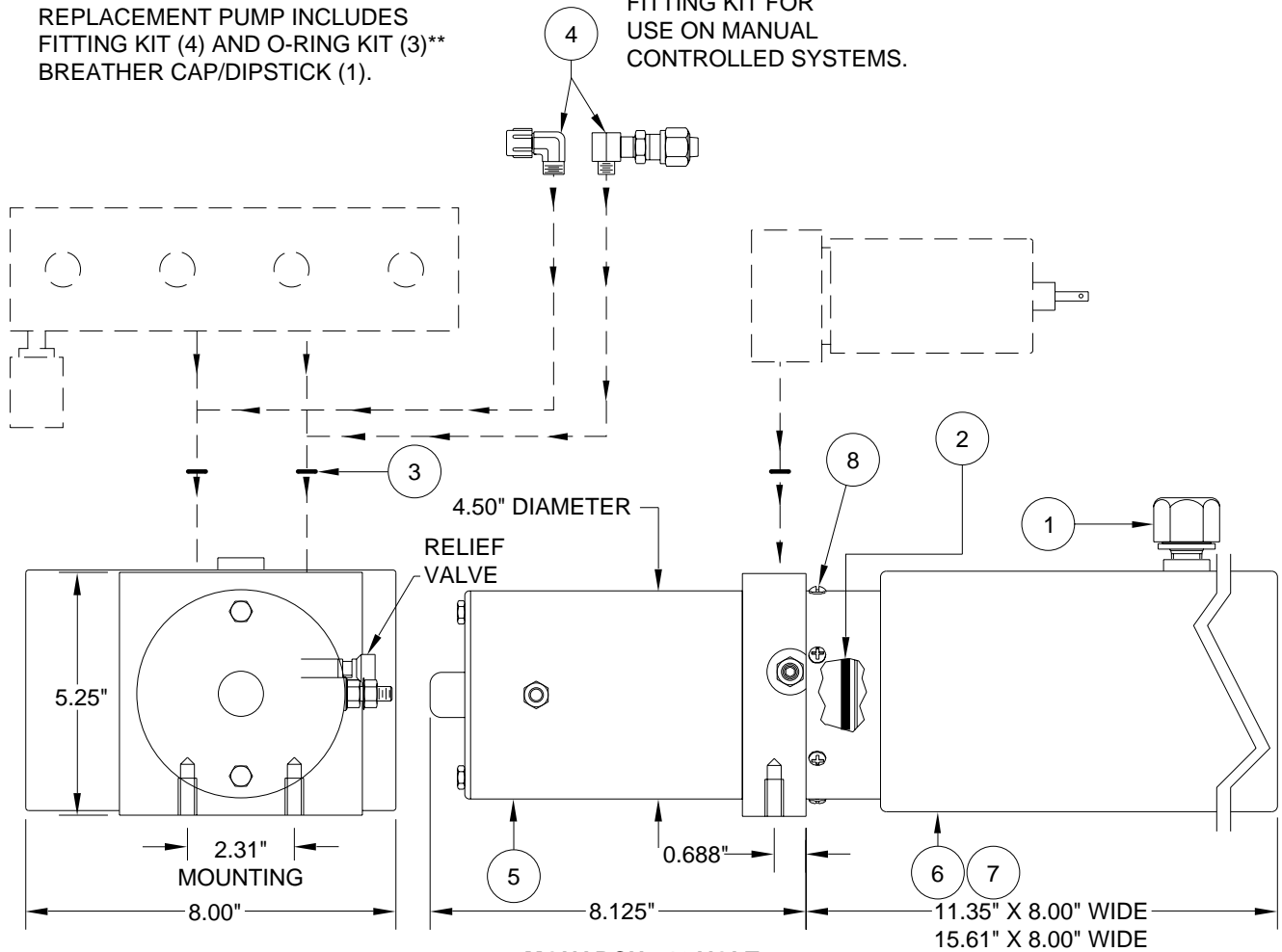
PUMP/MOTOR/TANK ASSEMBLY

AP30348/AP30349 MONARCH

PUMP RELIEF IS SET AT 3500 PSI.

REPLACEMENT PUMP INCLUDES
FITTING KIT (4) AND O-RING KIT (3)**
BREATHER CAP/DIPSTICK (1).

FITTING KIT FOR
USE ON MANUAL
CONTROLLED SYSTEMS.



**MONARCH - 12 VOLT
4.50" MOTOR
SUPPLIED 2003 TO 2005, 2015 TO PRESENT**

| ITEM | PART | QTY | DESCRIPTION | ITEM | PART | QTY | DESCRIPTION |
|------|----------|-----|--|------|----------|-----|--|
| | RAP90916 | | POWER UNIT/BMM/1.5 GALLON 4.5" MOTOR (AP30348) | 4 | RAP0586 | 1 | FITTING KIT |
| | RAP91169 | | POWER UNIT/BMM/2.0 GALLON 4.5" MOTOR (AP30349) | 5 | RAP90415 | 1 | MOTOR KIT 4.50" 12 V |
| 1 | RAP7876 | 1 | BREATHER CAP/DIPSTICK | 6 | RP91692 | 1 | TANK 1.5 GALLON 11.35" X 5.25" X 8.00" |
| 2 | RP5008 | 1 | O-RING TANK | 7 | RP91694 | 1 | TANK 2.0 GALLON 15.61" X 5.25" X 8.00" |
| 3 | **R92957 | 1 | O-RING KIT | 8 | RAP90678 | 1 | HDWE TANK SCREWS |

NOTE : THIS POWER UNIT IS NO LONGER AVAILABLE. SOME PARTS FOR REBUILDING THESE PUMPS MAY BE AVAILABLE. SEE THE REPLACEMENT INFORMATION PAGE FOR REPLACEMENT PUMP.

**R92957 O-RING KIT INCLUDES (8) O2-015-9N O-RINGS FOR 11/16" SPOT FACE ON MANIFOLD

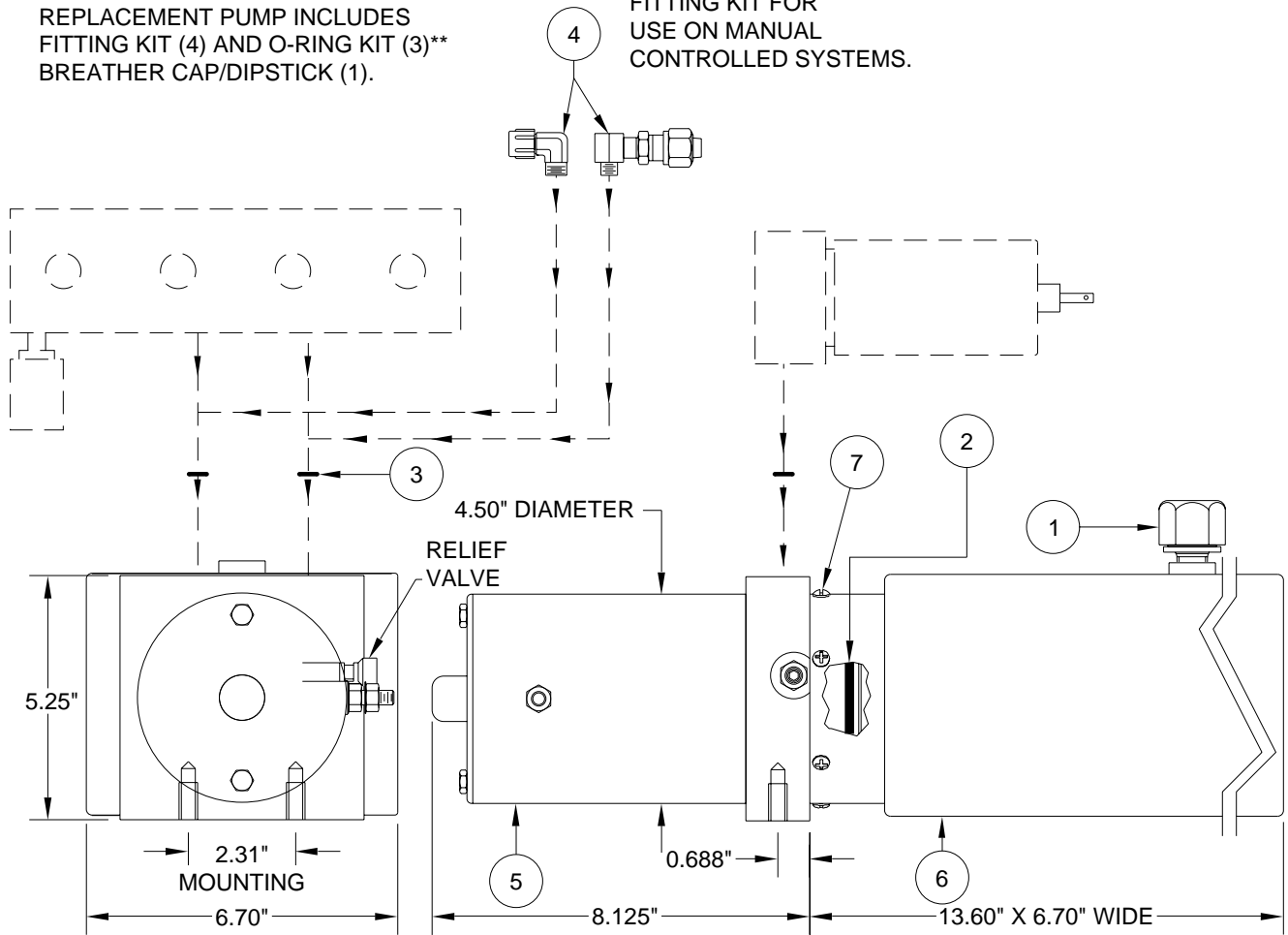
PUMP/MOTOR/TANK ASSEMBLY

AP23956 MONARCH - OBSOLETE

PUMP RELIEF IS SET AT 3500 PSI.

REPLACEMENT PUMP INCLUDES FITTING KIT (4) AND O-RING KIT (3)** BREATHER CAP/DIPSTICK (1).

FITTING KIT FOR USE ON MANUAL CONTROLLED SYSTEMS.



**MONARCH - 12 VOLT
4.50" MOTOR
SUPPLIED 2001 TO 2003**

| ITEM | PART | QTY | DESCRIPTION | ITEM | PART | QTY | DESCRIPTION |
|------|----------|------------|--------------------------------------|------|----------|-----|--|
| | AP23956 | OBS | POWER UNIT/BMM/1.5 GALLON 4.5" MOTOR | 4 | RAP0586 | 1 | FITTING KIT |
| 1 | RAP7876 | 1 | BREATHER CAP/ DIPSTICK | 5 | RAP90415 | 1 | MOTOR KIT 4.50" 12 V |
| 2 | RP5008 | 1 | O-RING TANK | 6 | RP90100 | 1 | TANK 1.2 GAL. - PLASTIC 13.50" X 5.46" X 6.50" INCLUDES TANK MOUNTING BAND CLAMP |
| 3 | **R92957 | 1 | O-RING KIT | 7 | RAP90678 | 1 | HDWE TANK SCREWS |

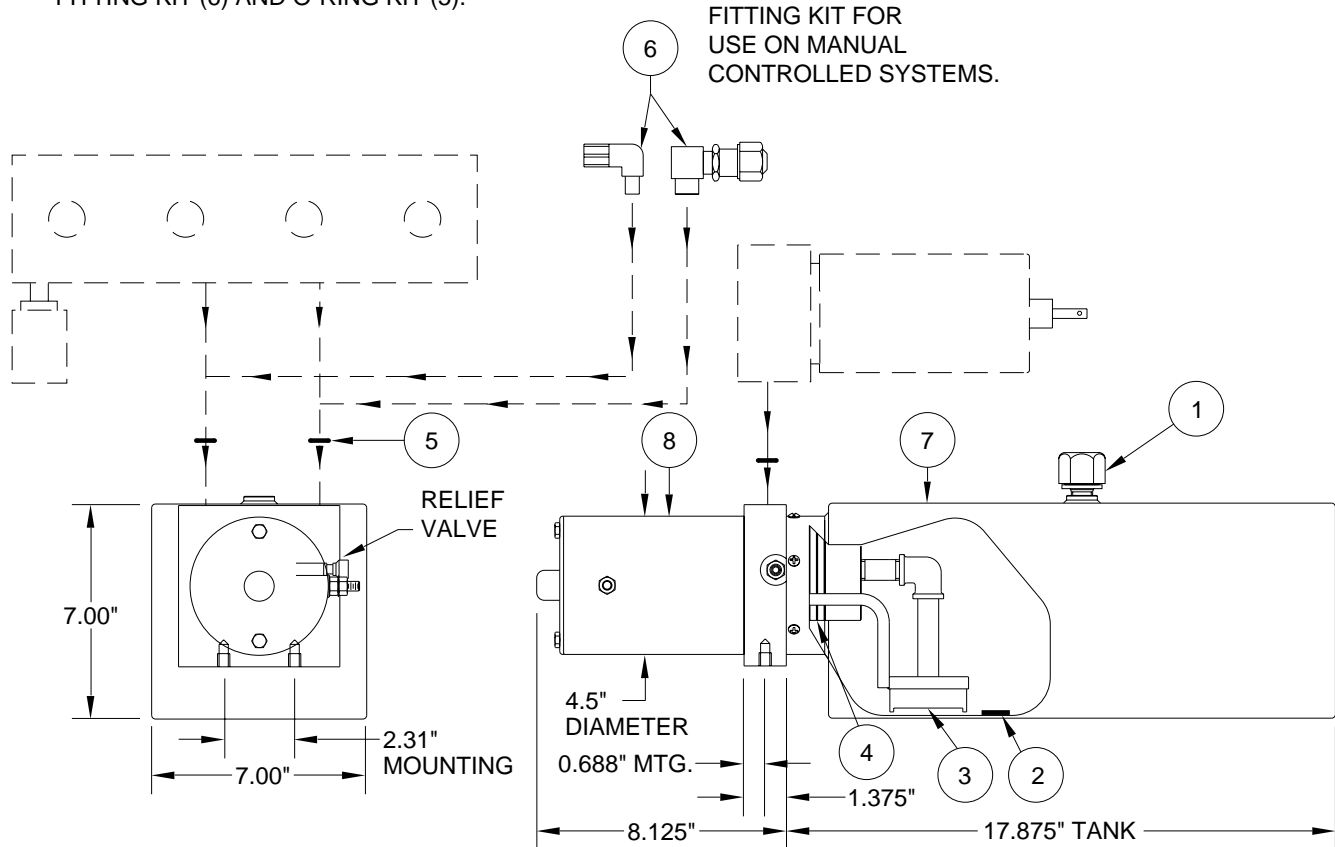
NOTE : THIS POWER UNIT IS NO LONGER AVAILABLE. SOME PARTS FOR REBUILDING THESE PUMPS MAY BE AVAILABLE. SEE THE REPLACEMENT INFORMATION PAGE FOR REPLACEMENT PUMP.

**R92957 O-RING KIT INCLUDES (8) O2-015-9N O-RINGS FOR 11/16" SPOT FACE ON MANIFOLD

PUMP/MOTOR/TANK ASSEMBLY AP13334 MONARCH - 12 VOLT

PUMP RELIEF IS SET AT 3500 PSI.

REPLACEMENT PUMP INCLUDES
FITTING KIT (6) AND O-RING KIT (5).



MONARCH - 12 VOLT 3.5 GALLON BOTTOM MOUNT SUPPLIED 1997 TO PRESENT

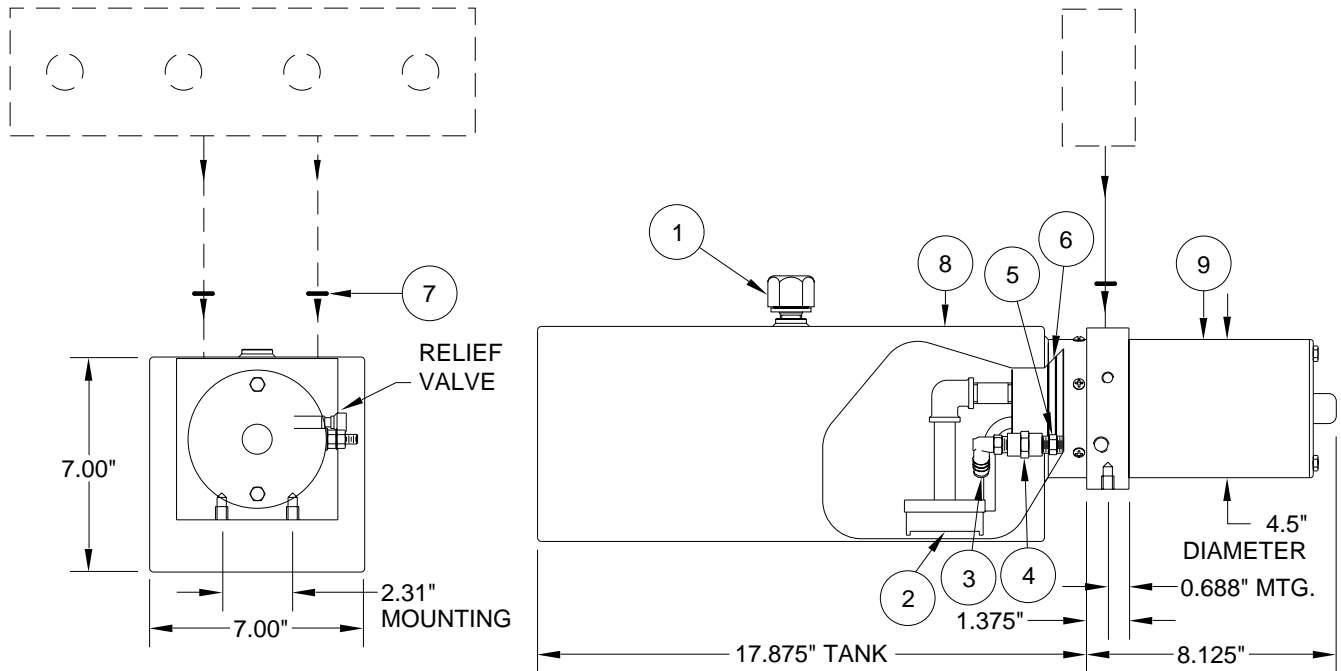
| ITEM | PART | QTY | DESCRIPTION | ITEM | PART | QTY | DESCRIPTION |
|------|----------|-----|--------------------------------------|------|-----------|-----|---|
| | RAP90412 | | POWER UNIT/BMM/3.5 GALLON 4.5" MOTOR | 5 | ** R92957 | 1 | O-RING KIT |
| 1 | RAP7876 | 1 | BREATHER CAP/ DIPSTICK | 6 | RAP0586 | 1 | FITTING KIT |
| 2 | RP3526 | 1 | MAGNET | 7 | RP90418 | 1 | TANK 3.5 GAL. 17.875" X 7.00" X 7.00" RECT. |
| 3 | RP90417 | 1 | STRAINER | 8 | RAP90415 | 1 | MOTOR KIT 4.5" 12 VOLT |
| 4 | RP5008 | 1 | O-RING TANK | | R5303 | | BRACKET KIT ADAPTS BOTTOM MOUNT PUMP TO SIDE MOUNT. |

**R92957 O-RING KIT INCLUDES (8) O2-015-9N
O-RINGS FOR 11/16" SPOT FACE ON MANIFOLD

PUMP/MOTOR/TANK ASSEMBLY AP44512 MONARCH

PUMP RELIEF IS SET AT 3500 PSI.

REPLACEMENT PUMP INCLUDES
O-RING KIT (5) AND
BREATHER CAP/DIPSTICK (1).



**MONARCH - 12 VOLT
3.5 GALLON BOTTOM MOUNT
SUPPLIED 2009 TO PRESENT**

| ITEM | PART | QTY | DESCRIPTION | ITEM | PART | QTY | DESCRIPTION |
|------|----------|-----|--------------------------------------|------|-----------|-----|--|
| | RAP92588 | | POWER UNIT/BMM/3.5 GALLON 4.5" MOTOR | 5 | RF6011 | 1 | 1/4" NPT NIPPLE |
| 1 | RAP7876 | 1 | BREATHER CAP/ DIPSTICK | 6 | RP5008 | 1 | O-RING TANK |
| 2 | RP90417 | 1 | STRAINER | 7 | ** R92957 | 1 | O-RING KIT |
| 3 | RF92598 | 1 | 1/4" NPT x 1/2" NYLON ELBOW | 8 | RP90418 | 1 | TANK 3.5 GAL. 17.875" X 7.00" X 7.00" RECT. |
| 4 | RF5599 | 1 | 1/4" NPT COUPLING | 9 | RAP90415 | 1 | MOTOR KIT 4.5" 12 VOLT |

**R92957 O-RING KIT INCLUDES (8) O2-015-9N
O-RINGS FOR 11/16" SPOT FACE ON MANIFOLD

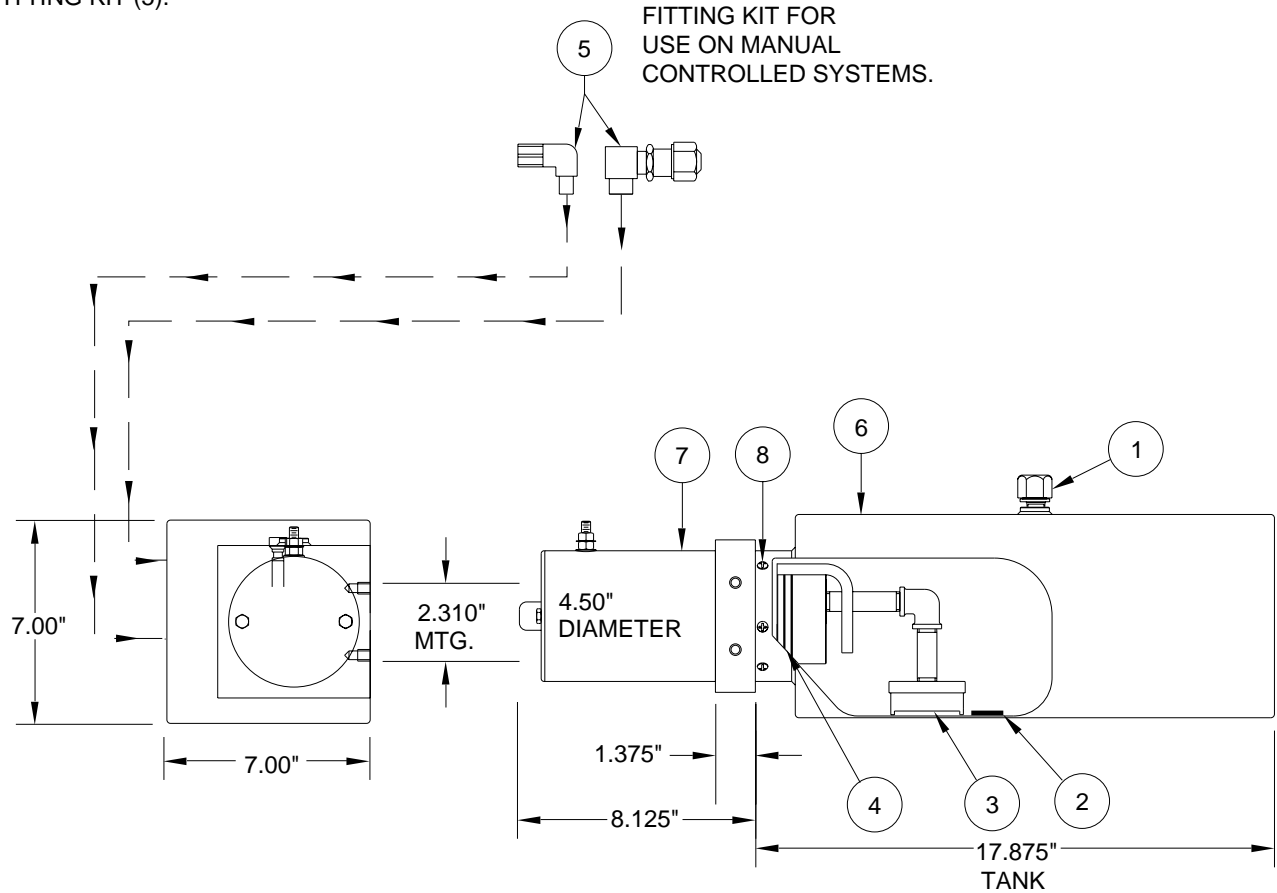
**MR30.3366
11FEB13**

PUMP/MOTOR/TANK ASSEMBLY

AP13335 MONARCH - 12 VOLT - OBSOLETE

PUMP RELIEF IS SET AT 3500 PSI.

REPLACEMENT PUMP INCLUDES FITTING KIT (5).



**MONARCH - 12 VOLT
3.5 GALLON SIDE MOUNT
SUPPLIED 1997 TO 2002**

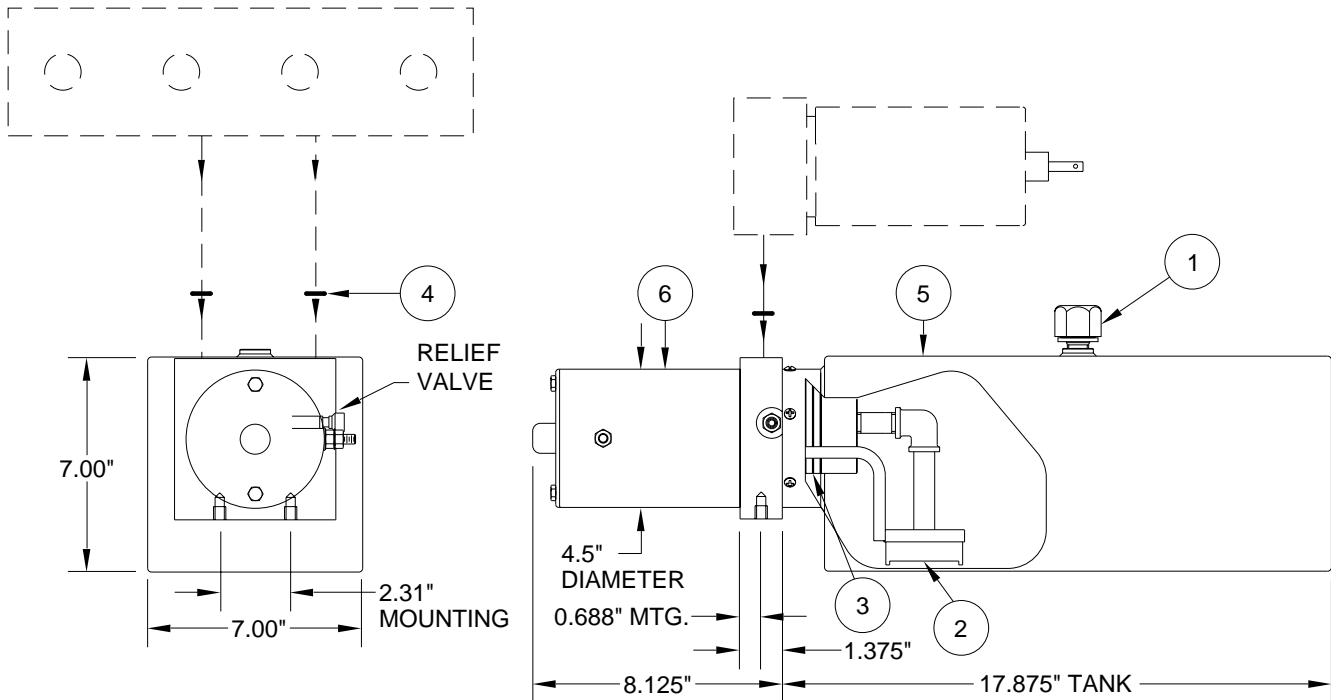
| ITEM | PART | QTY | DESCRIPTION | ITEM | PART | QTY | DESCRIPTION |
|------|---------|------------|--|------|----------|-----|--|
| | AP13335 | OBS | POWER UNIT/SMM/3.5 GALLON (4.5" MOTOR) | 4 | RP5008 | 1 | O-RING TANK |
| 1 | RAP7876 | 1 | BREATHER CAP/ DIPSTICK | 5 | RAP0586 | 1 | FITTING KIT |
| 2 | RP3526 | 1 | MAGNET | 6 | RP90419 | 1 | TANK 3.5 GAL. 17.875" X 7.00" X 7.00" |
| 3 | RP90417 | 1 | STRAINER | 7 | RAP90415 | 1 | MOTOR KIT 4.5" 12 VOLT |
| | | | | 8 | RAP90678 | 1 | HDWE TANK SCREWS |

NOTE : THIS POWER UNIT IS NO LONGER AVAILABLE. SOME PARTS FOR REBUILDING THESE PUMPS MAY BE AVAILABLE. SEE THE REPLACEMENT INFORMATION PAGE FOR REPLACEMENT PUMP.

PUMP/MOTOR/TANK ASSEMBLY AP47729 MONARCH - 12 VOLT

PUMP RELIEF IS SET AT 3500 PSI.

REPLACEMENT PUMP INCLUDES
O-RING KIT (4)** AND
BREATHER CAP/DIPSTICK (1).



MONARCH - 12 VOLT 3.5 GALLON BOTTOM MOUNT SUPPLIED 2010 TO PRESENT

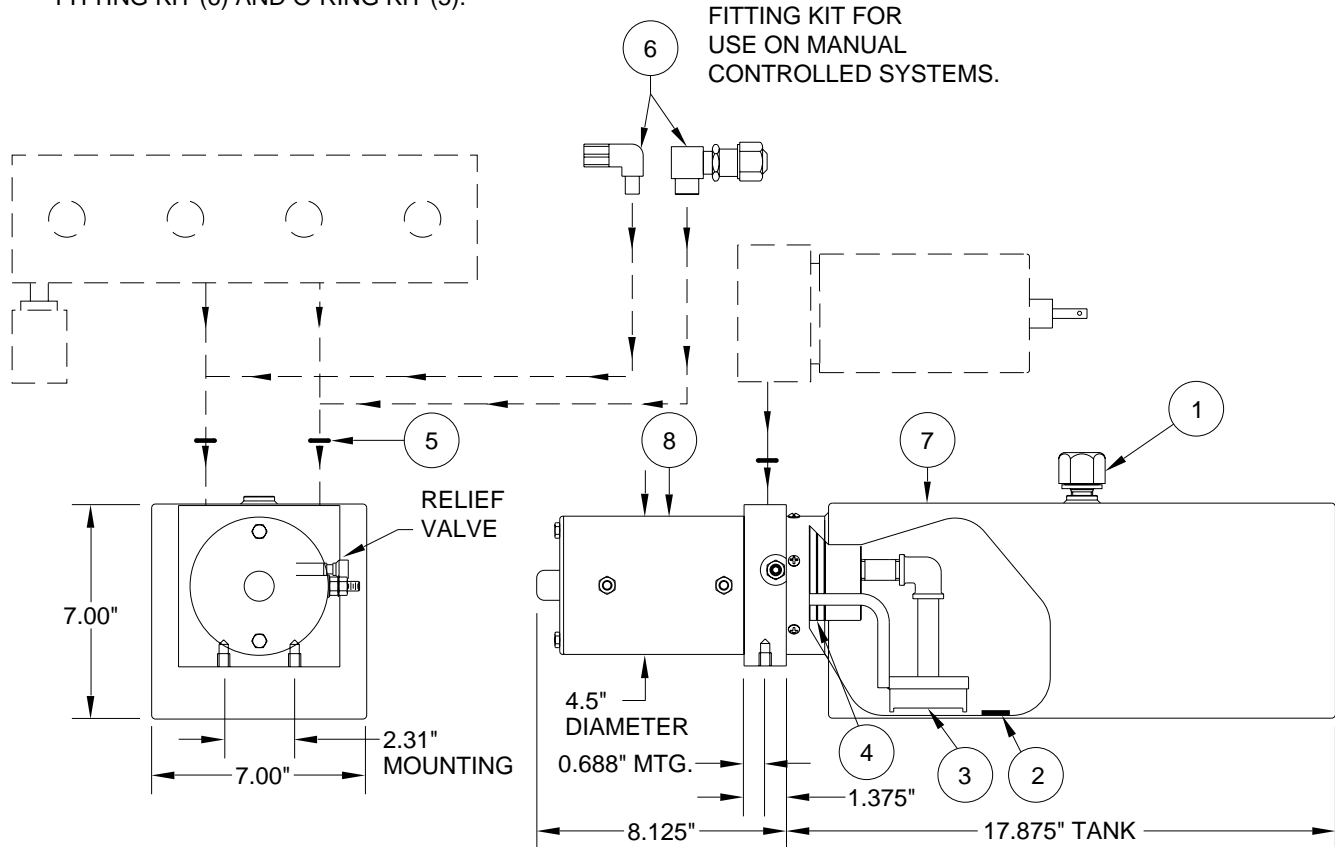
| ITEM | PART | QTY | DESCRIPTION | ITEM | PART | QTY | DESCRIPTION |
|------|----------|-----|--------------------------------------|------|-----------|-----|--|
| | RAP93092 | | POWER UNIT/BMM/3.5 GALLON 4.5" MOTOR | 4 | ** R92957 | 1 | O-RING KIT |
| 1 | RAP7876 | 1 | BREATHER CAP/ DIPSTICK | 5 | RP90418 | 1 | TANK 3.5 GAL. 17.875" X 7.00" X 7.00" RECT. |
| 2 | RP90417 | 1 | STRAINER | 6 | RAP90415 | 1 | MOTOR KIT 4.5" 12 VOLT |
| 3 | RP5008 | 1 | O-RING TANK | | | | |

**R92957 O-RING KIT INCLUDES (8) O2-015-9N
O-RINGS FOR 11/16" SPOT FACE ON MANIFOLD

PUMP/MOTOR/TANK ASSEMBLY AP14013 MONARCH - 24 VOLT

PUMP RELIEF IS SET AT 3500 PSI.

REPLACEMENT PUMP INCLUDES
FITTING KIT (6) AND O-RING KIT (5).



MONARCH - 24 VOLT 3.5 GALLON BOTTOM MOUNT SUPPLIED 1997 TO PRESENT

| ITEM | PART | QTY | DESCRIPTION | ITEM | PART | QTY | DESCRIPTION |
|------|----------|-----|--------------------------------------|------|-----------|-----|---|
| | RAP90414 | | POWER UNIT/BMM/3.5 GALLON 4.5" MOTOR | 5 | ** R92957 | 1 | O-RING KIT |
| 1 | RAP7876 | 1 | BREATHER CAP/ DIPSTICK | 6 | RAP0586 | 1 | FITTING KIT |
| 2 | RP3526 | 1 | MAGNET | 7 | RP90418 | 1 | TANK 3.5 GAL. 17.875" X 7.00" X 7.00" RECT |
| 3 | RAP90417 | 1 | STRAINER | 8 | RAP90416 | 1 | MOTOR KIT 4.5" 24 VOLT |
| 4 | RP5008 | 1 | O-RING TANK | | R5303 | | BRACKET KIT ADAPTS BOTTOM MOUNT PUMP TO SIDE MOUNT. |

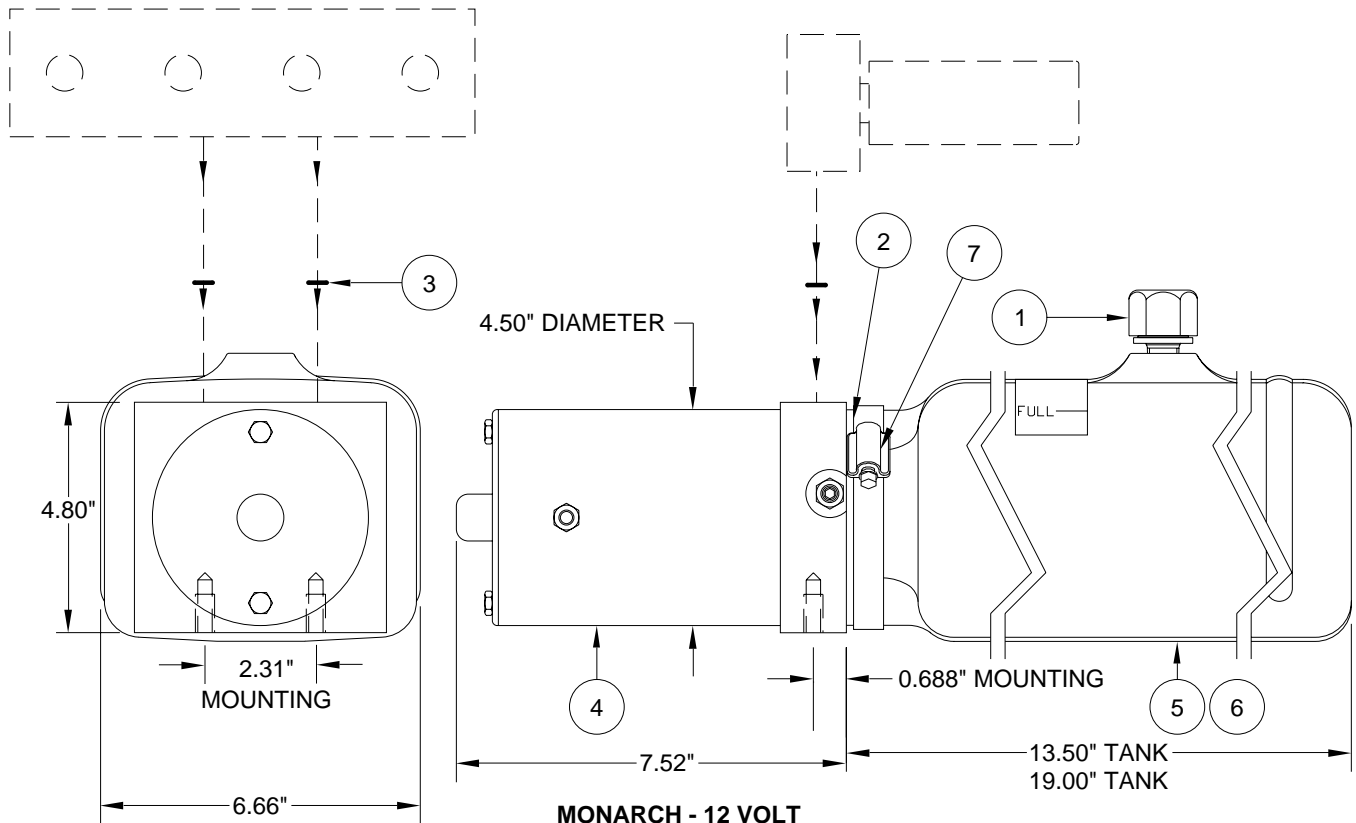
**R92957 O-RING KIT INCLUDES (8) O2-015-9N
O-RINGS FOR 11/16" SPOT FACE ON MANIFOLD

PUMP/MOTOR/TANK ASSEMBLY

AP49096/AP49167 MONARCH

PUMP RELIEF IS SET AT 3500 PSI.

REPLACEMENT PUMP INCLUDES BREATHER
CAP/DIPSTICK (1) AND O-RING KIT (3)**



**MONARCH - 12 VOLT
4.50" MOTOR
SUPPLIED 2011 TO PRESENT**

| ITEM | PART | QTY | DESCRIPTION | ITEM | PART | QTY | DESCRIPTION |
|------|----------|-----|---|------|----------|-----|--|
| | RAP93093 | | POWER UNIT/BMM/1.2 GALLON 4.50" MOTOR (AP49096) | 4 | RAP90415 | 1 | MOTOR KIT 4.50" 12 V |
| | RAP93094 | | POWER UNIT/BMM/1.6 GALLON 4.50" MOTOR (AP49167) | 5 | RP92197 | 1 | TANK 1.2 GALLON 13.50" X 5.46" X 6.50" |
| 1 | RAP7876 | 1 | BREATHER CAP/ DIPSTICK | 6 | RP92584 | 1 | TANK 1.6 GALLON 19.00" X 5.46" X 6.50" |
| 2 | RP5008 | 1 | O-RING TANK | 7 | RP92195 | 1 | TANK BAND CLAMP 4.50" |
| 3 | **R92957 | 1 | O-RING KIT | | | | |

**R92957 O-RING KIT INCLUDES (8) O2-015-9N O-RINGS FOR 11/16" SPOT FACE ON MANIFOLD

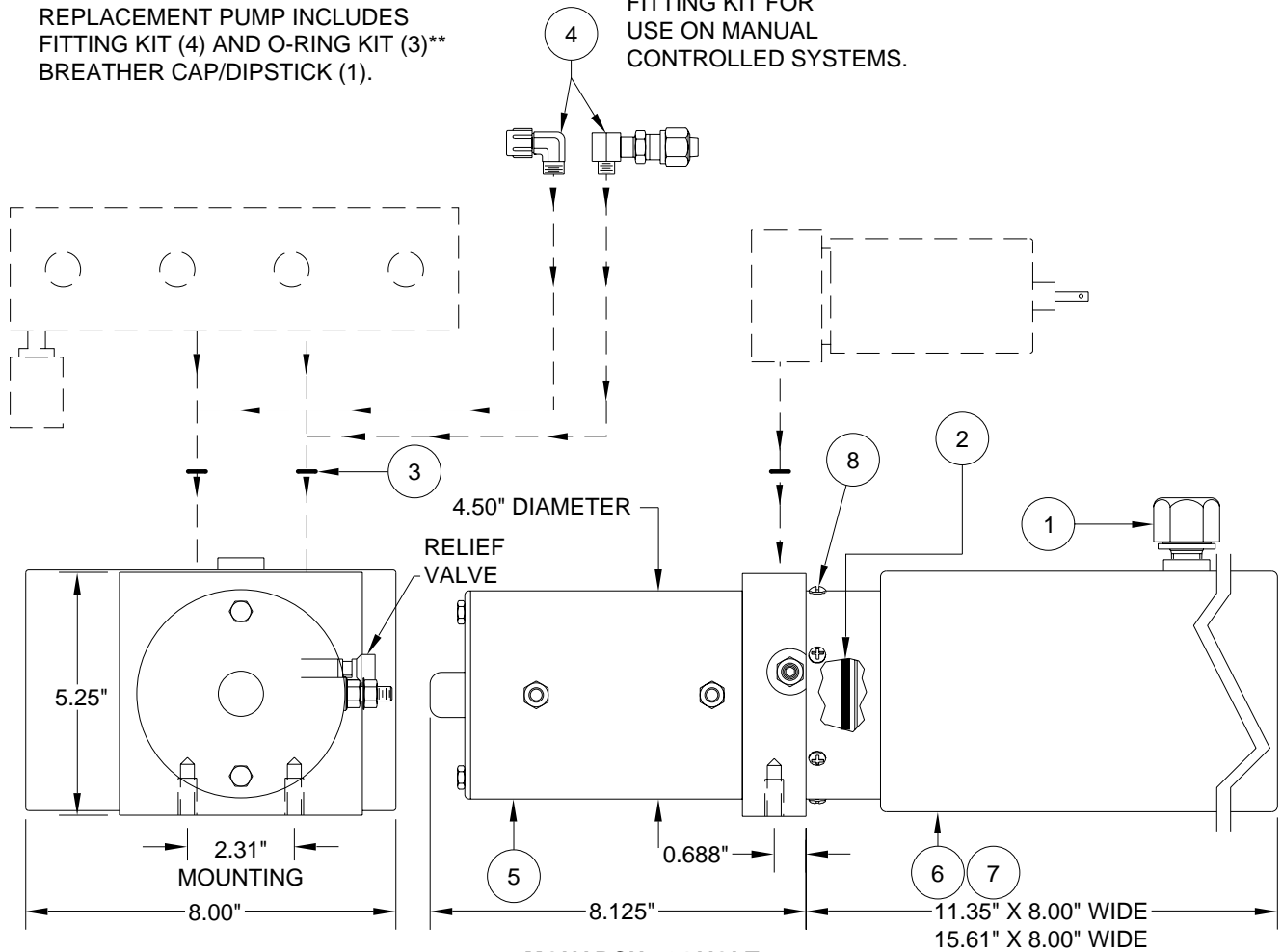
PUMP/MOTOR/TANK ASSEMBLY

AP30794/AP36181 MONARCH - 24V

PUMP RELIEF IS SET AT 3500 PSI.

REPLACEMENT PUMP INCLUDES FITTING KIT (4) AND O-RING KIT (3)** BREATHER CAP/DIPSTICK (1).

FITTING KIT FOR USE ON MANUAL CONTROLLED SYSTEMS.



**MONARCH - 24 VOLT
4.50" MOTOR
SUPPLIED 2003 TO PRESENT**

| ITEM | PART | QTY | DESCRIPTION | ITEM | PART | QTY | DESCRIPTION |
|------|----------|-----|--|------|----------|-----|---|
| | RAP91170 | | POWER UNIT/BMM/1.5 GALLON 4.5" MOTOR (AP30794) | 3 | **R92957 | 1 | O-RING KIT |
| | RAP91934 | | POWER UNIT/BMM/2.0 GALLON 4.5" MOTOR (AP36181) | 4 | RAP0586 | 1 | FITTING KIT |
| 1 | RAP7876 | 1 | BREATHER CAP/DIPSTICK | 5 | RAP90416 | 1 | MOTOR 4.50" 24 V |
| 2 | RP5008 | 1 | O-RING TANK | 6 | RP91692 | 1 | TANK 1.5 GALLON 11.35" X 5.25" X 8.00" |
| | | | | 7 | RP91694 | 1 | TANK 2.0 GALLON 15.61" X 5.25" X 8.00" |
| | | | | 8 | RAP90678 | 1 | HDWE TANK SCREWS |

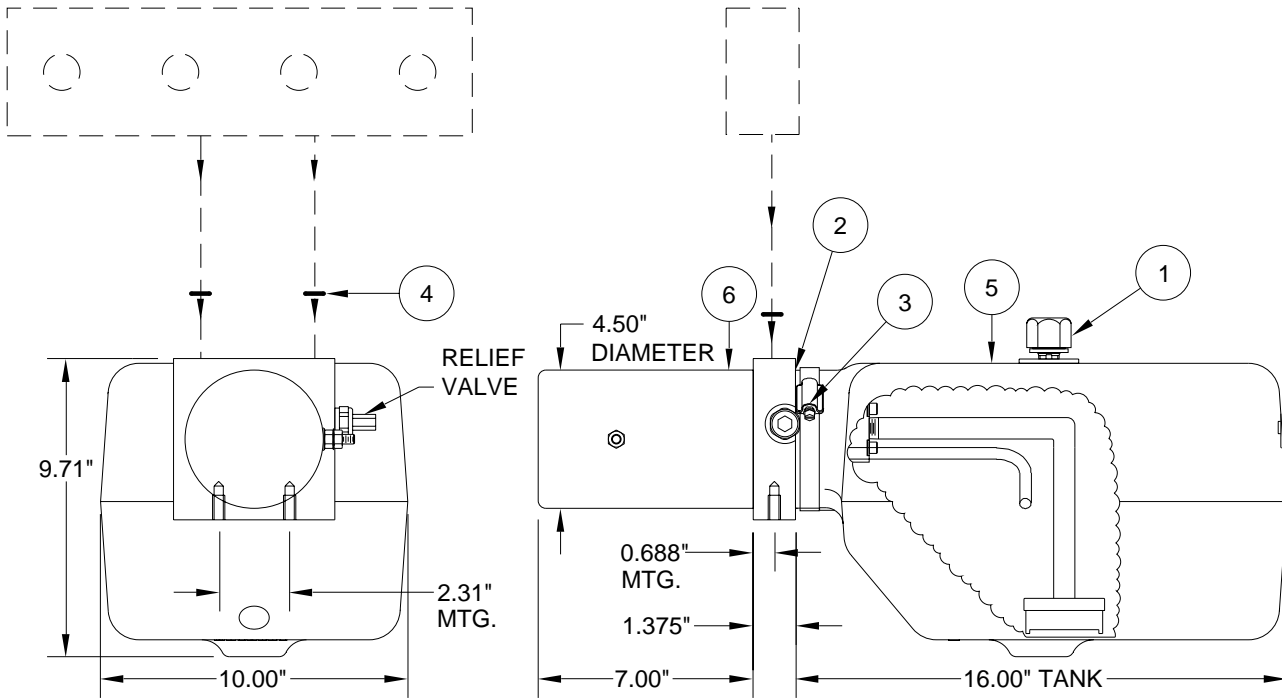
**R92957 O-RING KIT INCLUDES (8) O2-015-9N O-RINGS FOR 11/16" SPOT FACE ON MANIFOLD

PUMP/MOTOR/TANK ASSEMBLY AP55208 MONARCH

PUMP RELIEF IS SET AT 3500 PSI.

REPLACEMENT PUMP INCLUDES
O-RING KIT (4) AND
BREATHER CAP/DIPSTICK (1).

C:\TEMP\mr303372.dwg Jan 30, 2017 - New _____ Revised _____ Renumber _____ D5 _____ Rose _____ Index _____ Boms _____ Mike _____ Web _____



**MONARCH - 12 VOLT
3.9 GALLON BOTTOM MOUNT
SUPPLIED 2015 TO PRESENT**

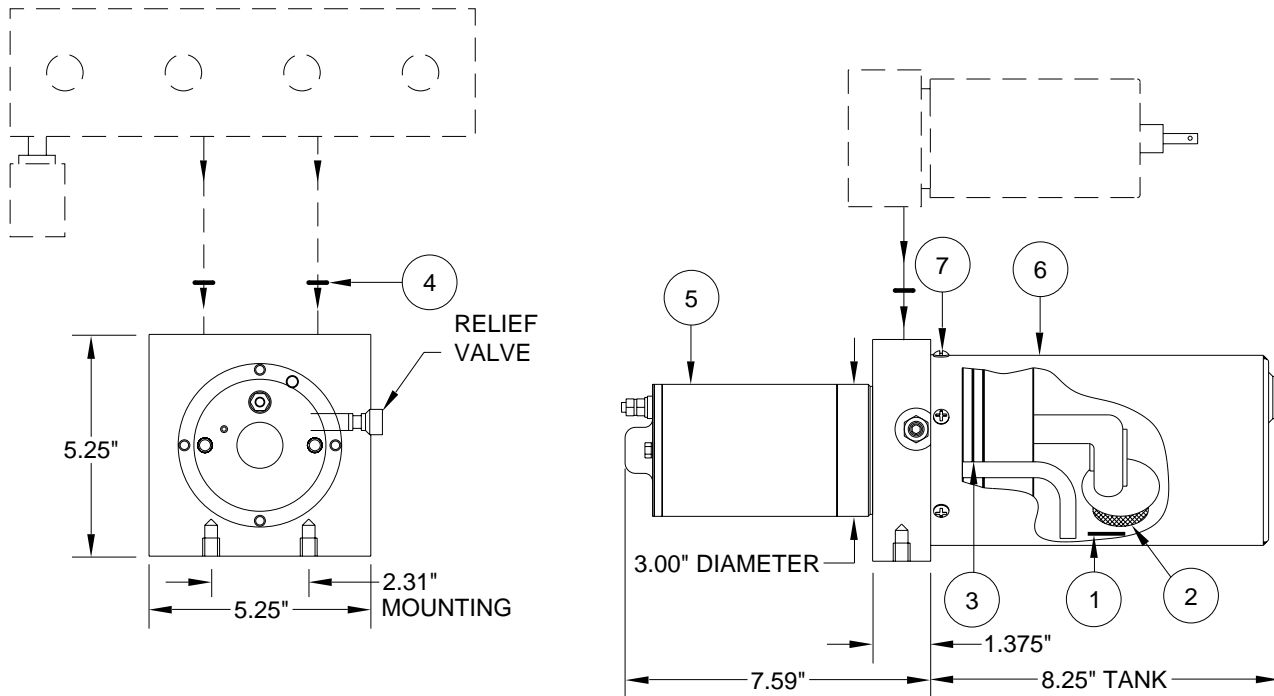
| ITEM | PART | QTY | DESCRIPTION | ITEM | PART | QTY | DESCRIPTION |
|------|----------|-----|--------------------------------------|------|----------|-----|---|
| | RAP55208 | | POWER UNIT/BMM/3.9 GALLON 4.5" MOTOR | 4 | RAP9171 | 1 | O-RING KIT |
| 1 | RAP7876 | 1 | BREATHER CAP/DIPSTICK | 5 | RP55207 | 1 | TANK 3.9 GAL. 16.00" X 9.70" X 10.00" RECT. (INCLUDES ITEM 2) |
| 2 | RP5008 | 1 | O-RING TANK | 6 | RAP54493 | 1 | MOTOR KIT 4.5" |
| 3 | RP92195 | 1 | TANK BAND CLAMP 4.50" | | | | |

PUMP/MOTOR/TANK ASSEMBLY AP13333 MONARCH - 12 VOLT - OBSOLETE

PUMP RELIEF IS SET AT 3500 PSI.

FOR USE WITH AUXILIARY TANK.

REPLACEMENT PUMP INCLUDES
O-RING KIT (4).



MONARCH - 12 VOLT .35 GALLON BOTTOM MOUNT SUPPLIED 1997 TO 2002

| ITEM | PART | QTY | DESCRIPTION | ITEM | PART | QTY | DESCRIPTION |
|------|---------|------------|------------------------------------|------|-----------|-----|---|
| | AP13333 | OBS | POWER UNIT/BMM/.35 GALLON 3" MOTOR | 4 | ** R92957 | 1 | O-RING KIT |
| 1 | RP3526 | 1 | MAGNET | 5 | RAP90311 | 1 | MOTOR KIT 3.0" 12 VOLT |
| 2 | RP5010 | 1 | STRAINER | 6 | RP90421 | 1 | TANK .35 GAL 8" x 4.5" RD |
| 3 | RP5008 | 1 | O-RING TANK | 7 | RAP90678 | 1 | HDWE TANK SCREWS |
| | | | | | R5303 | | BRACKET KIT ADAPTS BOTTOM MOUNT PUMP TO SIDE MOUNT. |

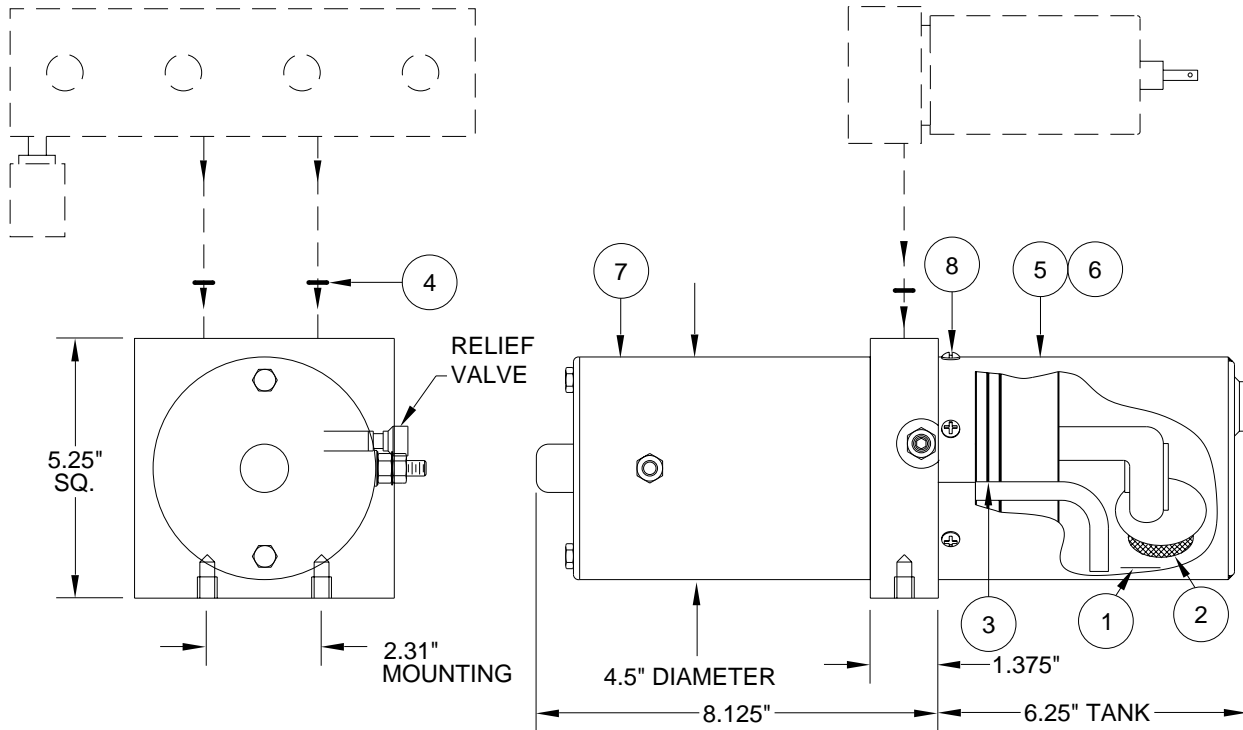
**R92957 O-RING KIT INCLUDES (8) O2-015-9N
O-RINGS FOR 11/16" SPOT FACE ON MANIFOLD

PUMP/MOTOR/TANK ASSEMBLY AP13332 MONARCH - 12 VOLT

PUMP RELIEF IS SET AT 3500 PSI.

FOR USE WITH AUXILIARY TANK.

REPLACEMENT PUMP INCLUDES
O-RING KIT (4).



MONARCH - 12 VOLT .25 GALLON BOTTOM MOUNT SUPPLIED 1997 TO PRESENT

| ITEM | PART | QTY | DESCRIPTION | ITEM | PART | QTY | DESCRIPTION |
|------|----------|-----|--------------------------------------|------|-----------|-----|---|
| | RAP90411 | | POWER UNIT/BMM/.35 GALLON 4.5" MOTOR | 4 | ** R92957 | 1 | O-RING KIT |
| 1 | RP3526 | 1 | MAGNET | 5 | RP90421 | 1 | TANK .35 GAL 8" x 4.5" RD |
| 2 | RP5010 | 1 | STRAINER | 6 | RP92198 | 1 | TANK .25 GAL 6" x 4.5" RD |
| 3 | RP5008 | 1 | O-RING TANK | 7 | RAP90415 | 1 | MOTOR KIT 4.5" 12 VOLT |
| | | | | 8 | RAP90678 | 1 | HDWE TANK SCREWS |
| | | | | | R5303 | | BRACKET KIT ADAPTS BOTTOM MOUNT PUMP TO SIDE MOUNT. |

**R92957 O-RING KIT INCLUDES (8) O2-015-9N
O-RINGS FOR 11/16" SPOT FACE ON MANIFOLD

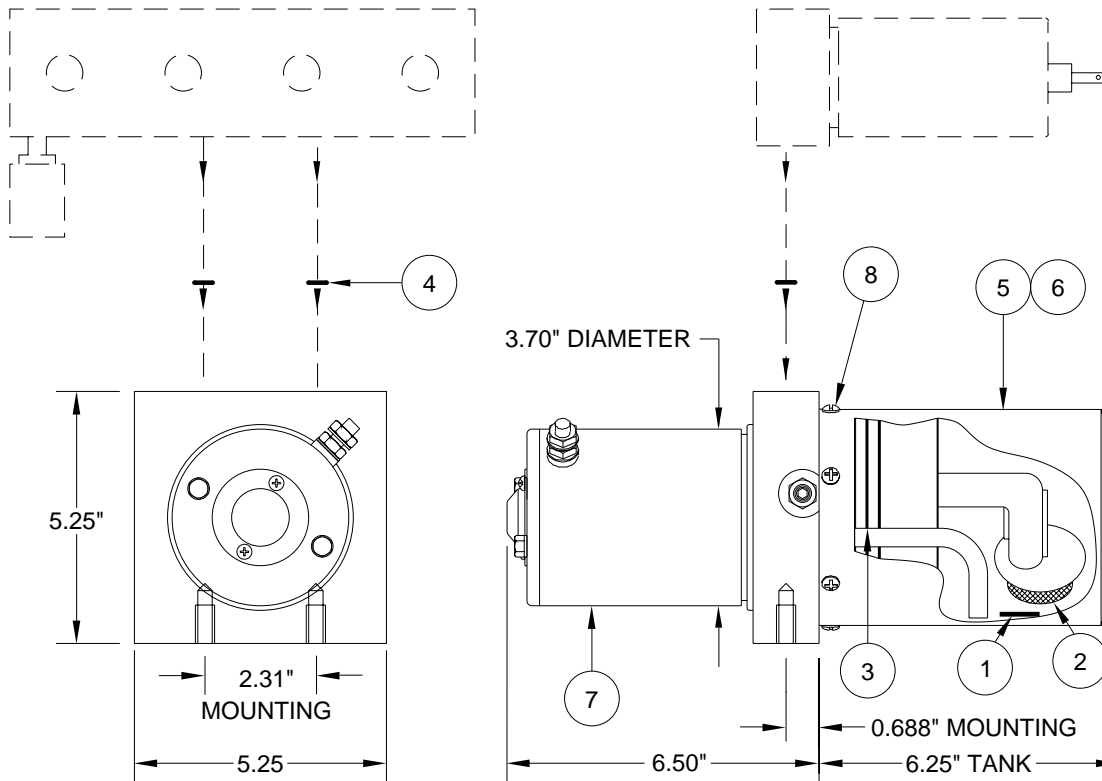
PUMP/MOTOR/TANK ASSEMBLY

AP36604 MONARCH

PUMP RELIEF IS SET AT 3500 PSI.

FOR USE WITH AUXILIARY TANK.

REPLACEMENT PUMP INCLUDES
O-RING KIT (4).



**MONARCH - 12 VOLT
.25 GALLON BOTTOM MOUNT
SUPPLIED 2005 TO PRESENT**

| ITEM | PART | QTY | DESCRIPTION | ITEM | PART | QTY | DESCRIPTION |
|------|----------|-----|--|------|-----------|-----|---------------------------|
| | RAP91937 | | POWER UNIT/BMM/.25 GALLON 3.7" MOTOR (AP36604) | 4 | ** R92957 | 1 | O-RING KIT |
| 1 | RP3526 | 1 | MAGNET | 5 | RP90421 | 1 | TANK .35 GAL 8" x 4.5" RD |
| 2 | RP5010 | 1 | STRAINER | 6 | RP92198 | 1 | TANK .25 GAL 6" x 4.5" RD |
| 3 | RP5008 | 1 | O-RING TANK | 7 | RAP91249 | 1 | MOTOR KIT 3.70" |
| | | | | 8 | RAP90678 | 1 | HDWE TANK SCREWS |

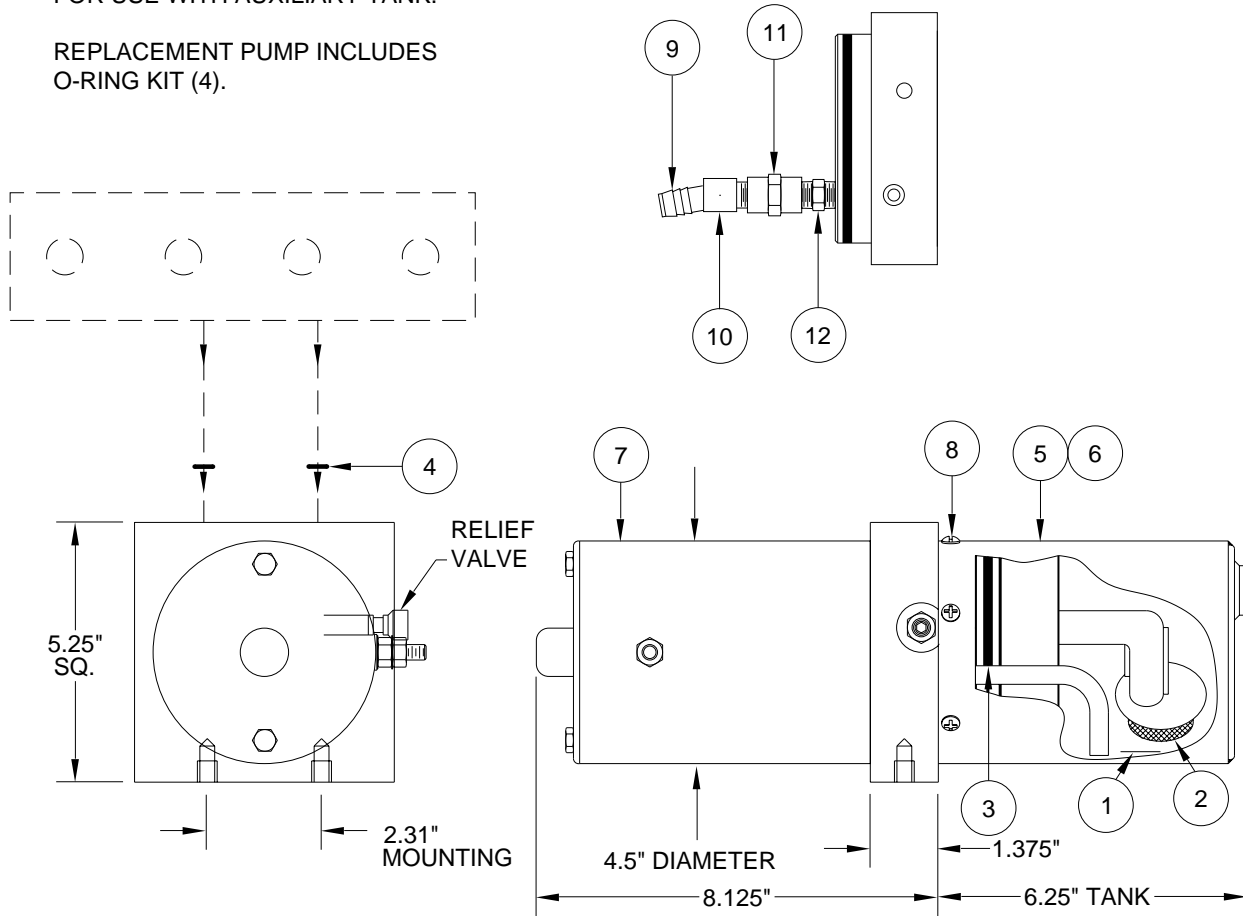
**R92957 O-RING KIT INCLUDES (8) O2-015-9N O-RINGS FOR 11/16" SPOT FACE ON MANIFOLD

PUMP/MOTOR/TANK ASSEMBLY AP45098 MONARCH - 12 VOLT

PUMP RELIEF IS SET AT 3500 PSI.

FOR USE WITH AUXILIARY TANK.

REPLACEMENT PUMP INCLUDES
O-RING KIT (4).



MONARCH - 12 VOLT .25 GALLON BOTTOM MOUNT SUPPLIED 2009 TO PRESENT

| ITEM | PART | QTY | DESCRIPTION | ITEM | PART | QTY | DESCRIPTION |
|------|-----------|-----|--------------------------------------|------|----------|-----|-----------------------------|
| | RAP92785 | | POWER UNIT/BMM/.35 GALLON 4.5" MOTOR | 6 | RP92198 | 1 | TANK .25 GAL 6" x 4.5" RD |
| 1 | RP3526 | 1 | MAGNET | 7 | RAP90415 | 1 | MOTOR KIT 4.5" 12 VOLT |
| 2 | RP5010 | 1 | STRAINER | 8 | RAP90678 | 1 | HDWE TANK SCREWS |
| 3 | RP5008 | 1 | O-RING TANK | 9 | RF92598 | 1 | 1/4" NPT x 1/2" NYLON ELBOW |
| 4 | ** R92957 | 1 | O-RING KIT | 10 | RF3340 | 1 | 1/4" BRASS ELBOW |
| 5 | RP90421 | 1 | TANK .35 GAL 8" x 4.5" RD | 11 | RF5599 | 1 | 1/4" NPT COUPLING |
| | | | | 12 | RF6011 | 1 | 1/4" NPT NIPPLE |

**R92957 O-RING KIT INCLUDES (8) O2-015-9N
O-RINGS FOR 11/16" SPOT FACE ON MANIFOLD

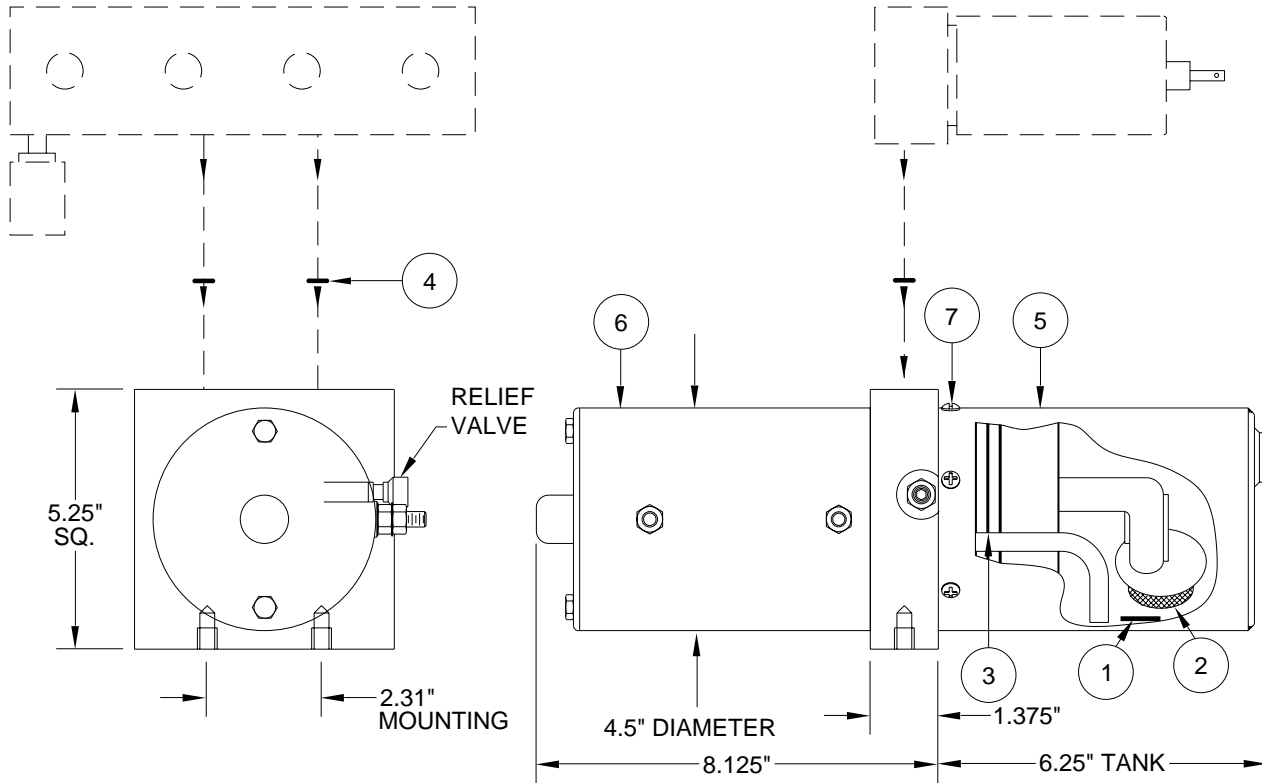
**MR30.3379
11FEB13**

PUMP/MOTOR/TANK ASSEMBLY AP37344 MONARCH - 24 VOLT

PUMP RELIEF IS SET AT 3500 PSI.

FOR USE WITH AUXILIARY TANK.

REPLACEMENT PUMP INCLUDES
O-RING KIT (4).



MONARCH - 24 VOLT .25 GALLON BOTTOM MOUNT SUPPLIED 2006 TO PRESENT

| ITEM | PART | QTY | DESCRIPTION | ITEM | PART | QTY | DESCRIPTION |
|------|----------|-----|--|------|-----------|-----|---------------------------|
| | RAP91936 | | POWER UNIT/BMM/.25 GALLON 4.5" MOTOR (AP37344) | 4 | ** R92957 | 1 | O-RING KIT |
| 1 | RP3526 | 1 | MAGNET | 5 | RP92198 | 1 | TANK .25 GAL 6" x 4.5" RD |
| 2 | RP5010 | 1 | STRAINER | 6 | RAP90416 | 1 | MOTOR 4.50" 24 V |
| 3 | RP5008 | 1 | O-RING TANK | 7 | RAP90678 | 1 | HDWE TANK SCREWS |

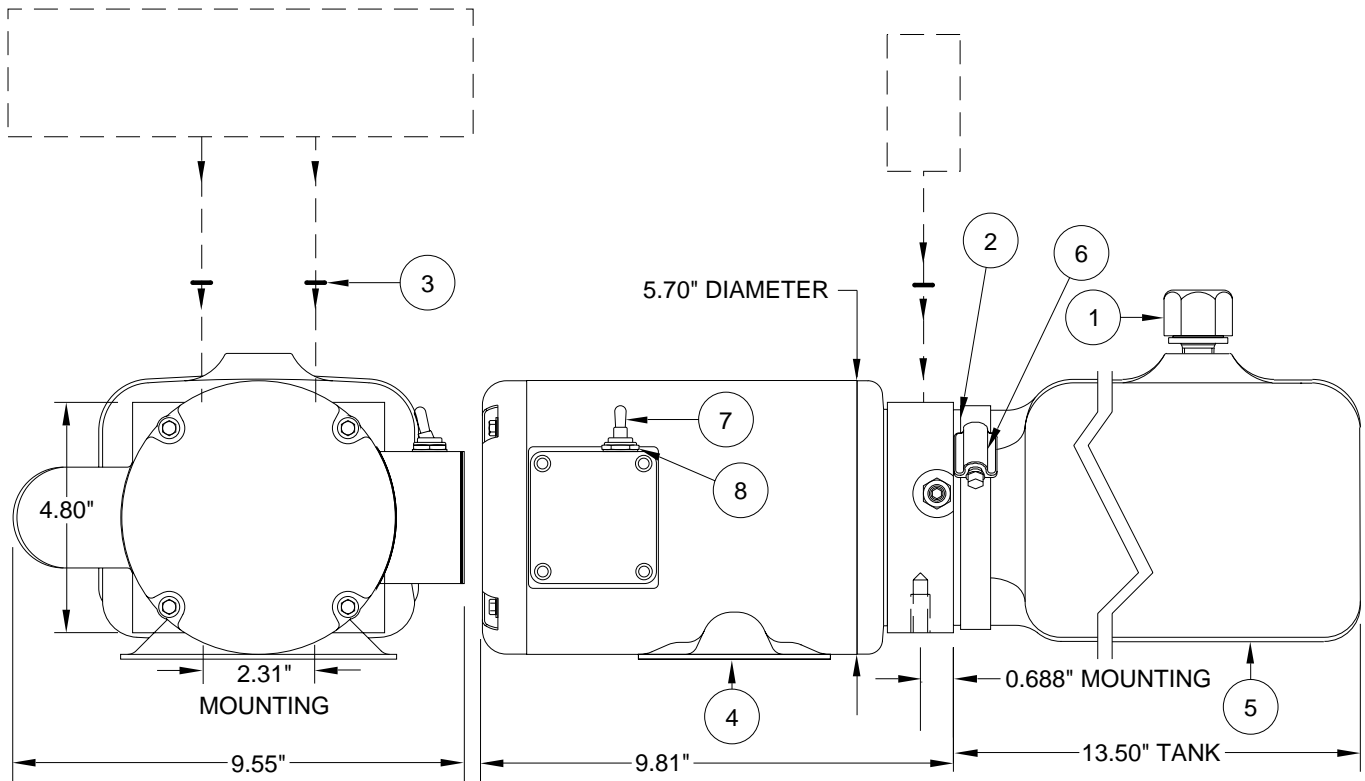
**R92957 O-RING KIT INCLUDES (8) O2-015-9N O-RINGS FOR 11/16" SPOT FACE ON MANIFOLD

PUMP/MOTOR/TANK ASSEMBLY

AP43203 MONARCH

PUMP RELIEF IS SET AT 3000 PSI.

REPLACEMENT PUMP INCLUDES
O-RING KIT (3)** AND
BREATHER CAP/DIPSTICK (1).



**MONARCH - 115 VOLT
5.70" MOTOR
SUPPLIED 2008 TO PRESENT**

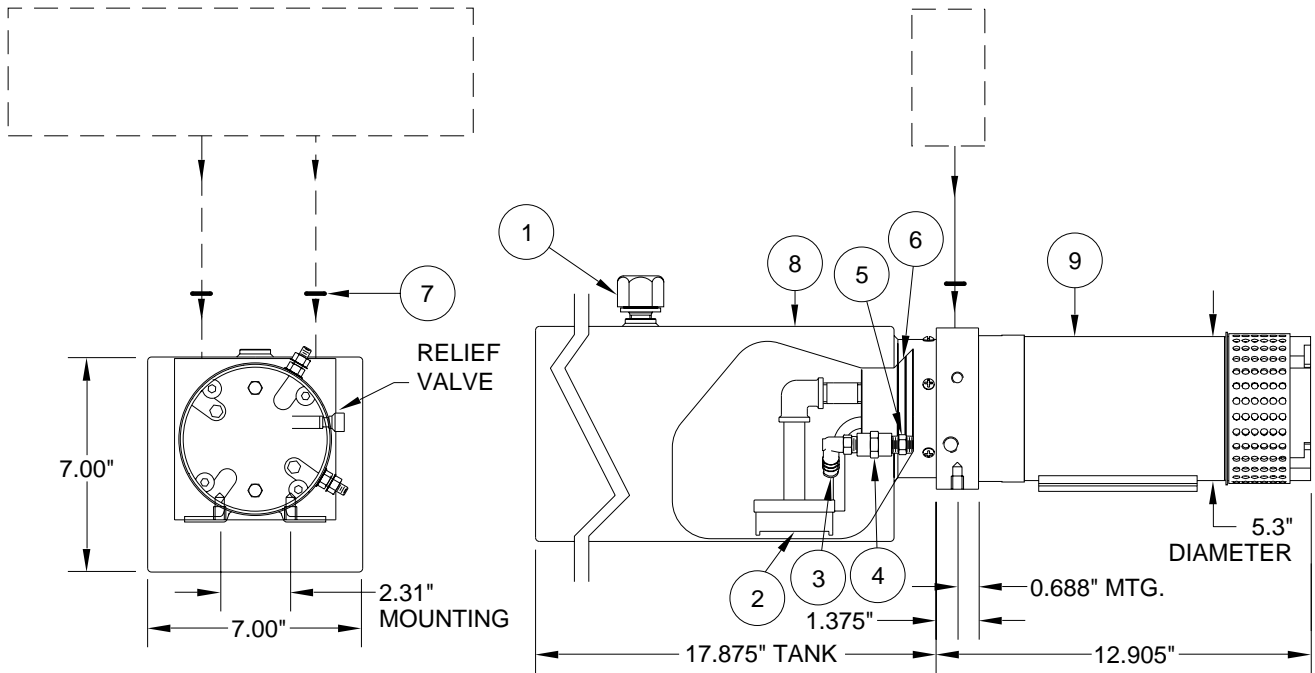
| ITEM | PART | QTY | DESCRIPTION | ITEM | PART | QTY | DESCRIPTION |
|------|----------|-----|---------------------------------------|------|--------------------|-----|--|
| | RAP92583 | | POWER UNIT/BMM/1.2 GALLON 5.70" MOTOR | 4 | CONTACT HWH | | MOTOR KIT 5.70" |
| 1 | RAP7876 | 1 | BREATHER CAP/ DIPSTICK | 5 | RP92197 | 1 | TANK 1.2 GALLON 13.50" X 5.46" X 6.66" |
| 2 | RP5008 | 1 | O-RING TANK | 6 | RP92195 | 1 | TANK BAND CLAMP 4.50" |
| 3 | **R92957 | 1 | O-RING KIT | 7 | RAP92597 | 1 | SWITCH MOM ON |
| | | | | 8 | RP92458 | 1 | TOGGLE SW. BOOT. |

**R92957 O-RING KIT INCLUDES (8) O2-015-9N O-RINGS FOR 11/16" SPOT FACE ON MANIFOLD

PUMP/MOTOR/TANK ASSEMBLY AP49003 MONARCH - 24 VOLT

PUMP RELIEF IS SET AT 2500 PSI.

REPLACEMENT PUMP INCLUDES
O-RING KIT (5) AND
BREATHER CAP/DIPSTICK (1).

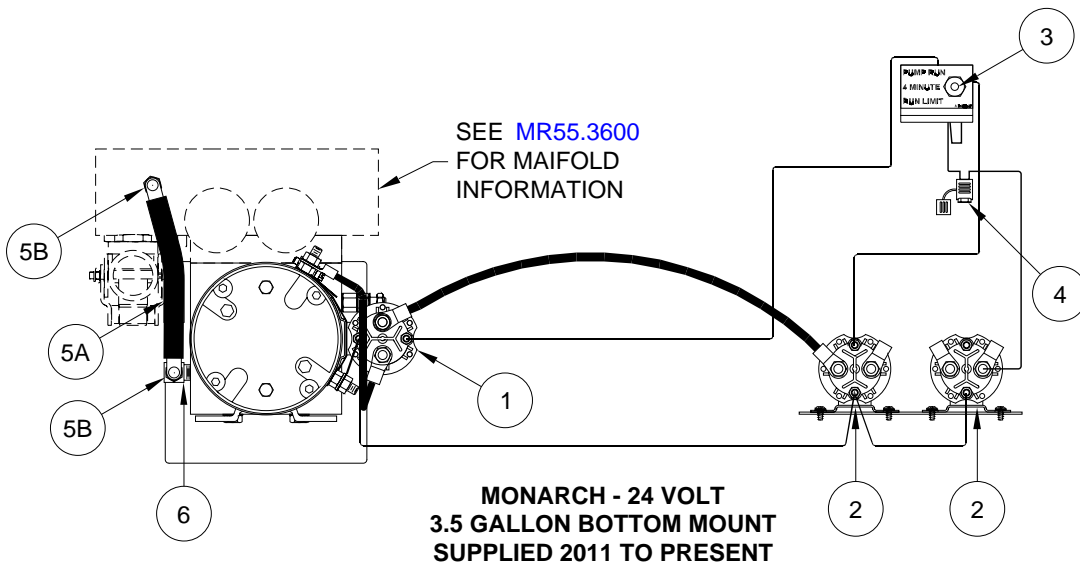
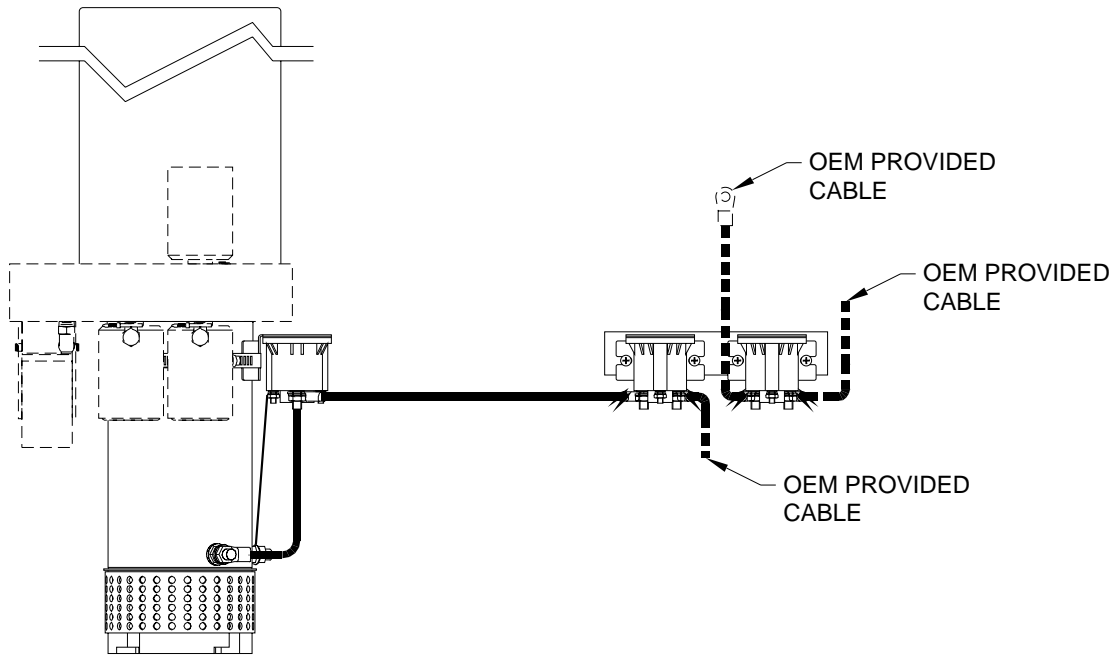


**MONARCH - 24 VOLT
3.5 GALLON BOTTOM MOUNT
SUPPLIED 2011 TO PRESENT**

| ITEM | PART | QTY | DESCRIPTION | ITEM | PART | QTY | DESCRIPTION |
|------|----------|-----|---|------|----------|-----|--|
| | RAP93091 | | PUMP-MOTOR-TANK/ BMM/3.5 GAL. 5.3" MOTOR | 5 | RF6011 | 1 | 1/4" NPT NIPPLE |
| 1 | RAP7876 | 1 | BREATHER CAP/ DIPSTICK | 6 | RP5008 | 1 | O-RING TANK |
| 2 | RP90417 | 1 | STRAINER | 7 | RAP93176 | 1 | O-RING KIT MANIF MTG |
| 3 | RF92598 | 1 | 1/4" NPT x 1/2" NYLON ELBOW | 8 | RP90418 | 1 | TANK 3.5 GAL. 17.875" X 7.00" X 7.00" RECT. |
| 4 | RF5599 | 1 | 1/4" NPT COUPLING | 9 | RAP93090 | 1 | MOTOR 5.3" 24 VOLT |

POWER UNIT ASSEMBLY AP47717 MONARCH - 24 VOLT

PUMP RELIEF IS SET AT 2500 PSI.



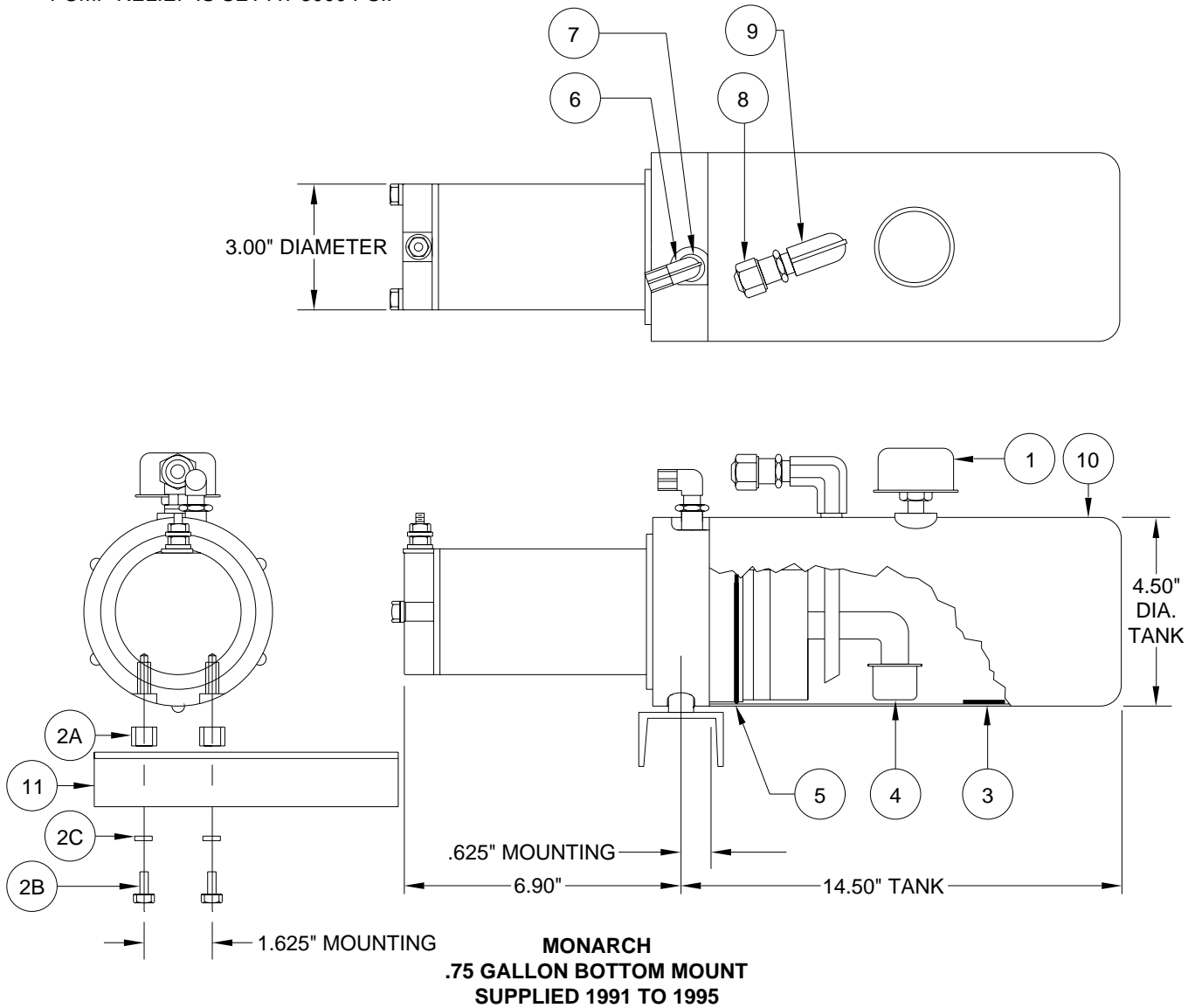
| ITEM | PART | QTY | DESCRIPTION | ITEM | PART | QTY | DESCRIPTION |
|------|----------|-----|---|------|----------|-----|----------------------------------|
| | RAP93220 | | POWER UNIT WITH RELAYS AND FITTINGS DOES NOT INCLUDE MANIFOLD | 4 | R90288 | 1 | 15 AMP FUSE (5 FUSES PER R90288) |
| 1 | RAP35723 | 1 | PUMP RELAY | 5 | RAP93222 | 1 | HOSE AND FITTING KIT |
| 2 | RAP38933 | 1 | MASTER RELAY | 5A | | 1 | 1/2 INCH ID HOSE |
| 3 | RAP93221 | 1 | TOGGLE SWITCH | 5B | RF92598 | 2 | 1/2" BARBED X 1/4" NPT ELBOW |
| | | | | 6 | RF3340 | 1 | 2202-4-4 ELBOW (BRASS) |

NOTE: INDENTED ITEMS INCLUDED WITH PRECEDING ITEM.

**MR30.3551
28JAN15**

PUMP/MOTOR/TANK ASSEMBLY AP8178 MONARCH - OBSOLETE

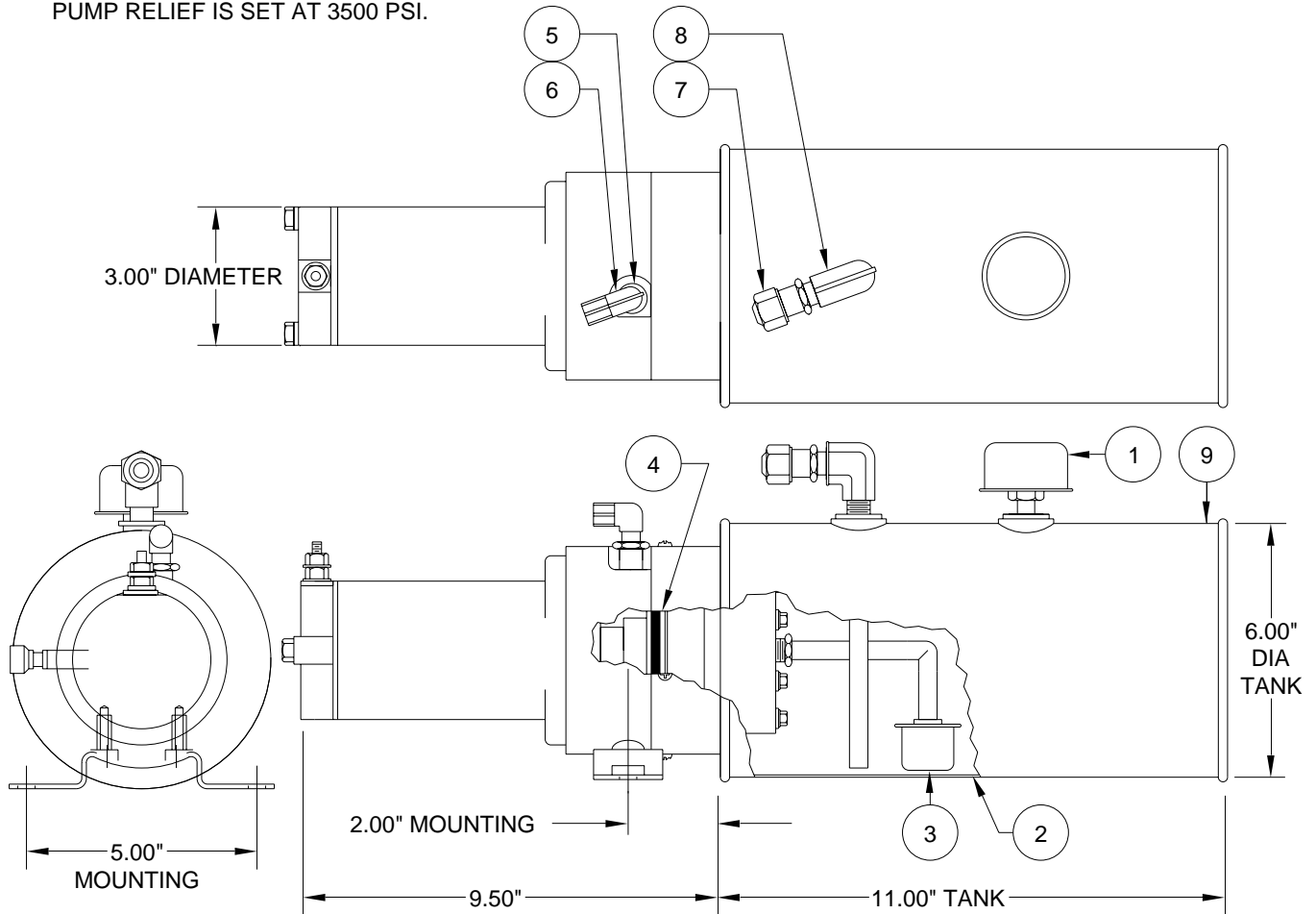
PUMP RELIEF IS SET AT 3000 PSI.



| ITEM | PART | QTY | DESCRIPTION | ITEM | PART | QTY | DESCRIPTION |
|------|---------|------------|----------------------------|------|--------|-----|-------------------------------|
| | AP8178 | OBS | POWER UNIT BMM/ .75 GALLON | 6 | RF1514 | 1 | ELBOW 1/4" X 1/4" |
| 1 | RAP7876 | 1 | BREATHER CAP/ DIPSTICK | 7 | RF2912 | 1 | REDUCER 3/8" X 1/4" |
| 2 | RAP8255 | 1 | PUMP MTG. KIT | 8 | RF4970 | 1 | MALE CONNECTOR 1/2" X 3/8" |
| 2A | | 2 | BUSHING | 9 | RP5011 | 1 | ELBOW SPECIAL |
| 2B | | 2 | HHCS 5/16-18 X 1-1/4" | 10 | RP8986 | 1 | TANK .75 GALLON |
| 2C | | 2 | LW 5/16" EXT. | 11 | RP8210 | 1 | PUMP MTG. BRACKET |
| 3 | RP3526 | 1 | MAGNET | | | | |
| 4 | RP5010 | 1 | STRAINER | | | | |
| 5 | RP5008 | 1 | O-RING TANK | | | | |

PUMP/MOTOR/TANK ASSEMBLY AP0630 MONARCH - OBSOLETE

PUMP RELIEF IS SET AT 3500 PSI.

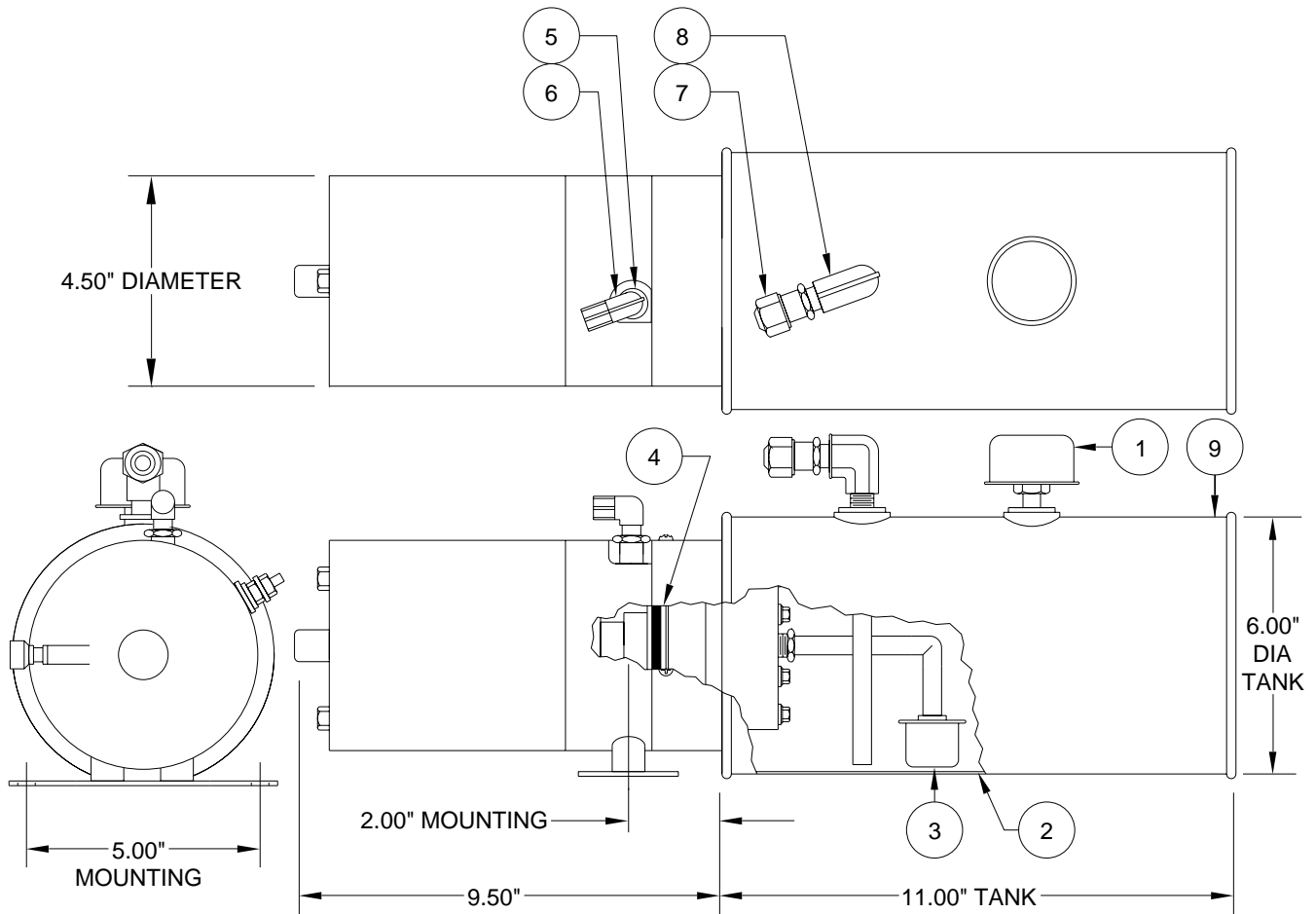


MONARCH 1.2 GALLON BOTTOM MOUNT SUPPLIED 1993 TO 1995

| ITEM | PART | QTY | DESCRIPTION | ITEM | PART | QTY | DESCRIPTION |
|------|---------|------------|---|------|--------|-----|----------------------------|
| | AP0630 | OBS | POWER UNIT BMM/1.2 GALLON LESS SOLENOID | 5 | RF2912 | 1 | REDUCER 3/8" x 1/4" |
| 1 | RAP7876 | 1 | BREATHER CAP/ DIPSTICK | 6 | RF1514 | 1 | ELBOW 1/4" X 1/4" |
| 2 | RP3526 | 1 | MAGNET | 7 | RF4970 | 1 | MALE CONNECTOR 1/2" X 3/8" |
| 3 | RP5010 | 1 | STRAINER | 8 | RP5011 | 1 | ELBOW SPEC. |
| 4 | RP5008 | 1 | O-RING TANK | 9 | RP5007 | 1 | TANK 1.2 GALLON |

PUMP/MOTOR/TANK ASSEMBLY AP4931 MONARCH - OBSOLETE

PUMP RELIEF IS SET AT 3500 PSI.



**MONARCH
1.2 GALLON BOTTOM MOUNT
SUPPLIED 1986 TO 1993**

| ITEM | PART | QTY | DESCRIPTION | ITEM | PART | QTY | DESCRIPTION |
|------|---------|------------|------------------------------|------|--------|-----|-------------------------------|
| | AP4931 | OBS | POWER UNIT BMM/1.2 GALLON | 5 | RF2912 | 1 | REDUCER 3/8" x 1/4" |
| 1 | RAP7876 | 1 | BREATHER CAP/ DIPSTICK | 6 | RF1514 | 1 | ELBOW 1/4" X 1/4" |
| 2 | RP3526 | 1 | MAGNET | 7 | RF4970 | 1 | MALE CONNECTOR 1/2" X 3/8" |
| 3 | RP5010 | 1 | STRAINER | 8 | RP5011 | 1 | ELBOW SPECIAL |
| 4 | RP5008 | 1 | O-RING TANK | 9 | RP5007 | 1 | TANK 1.2 GALLON |

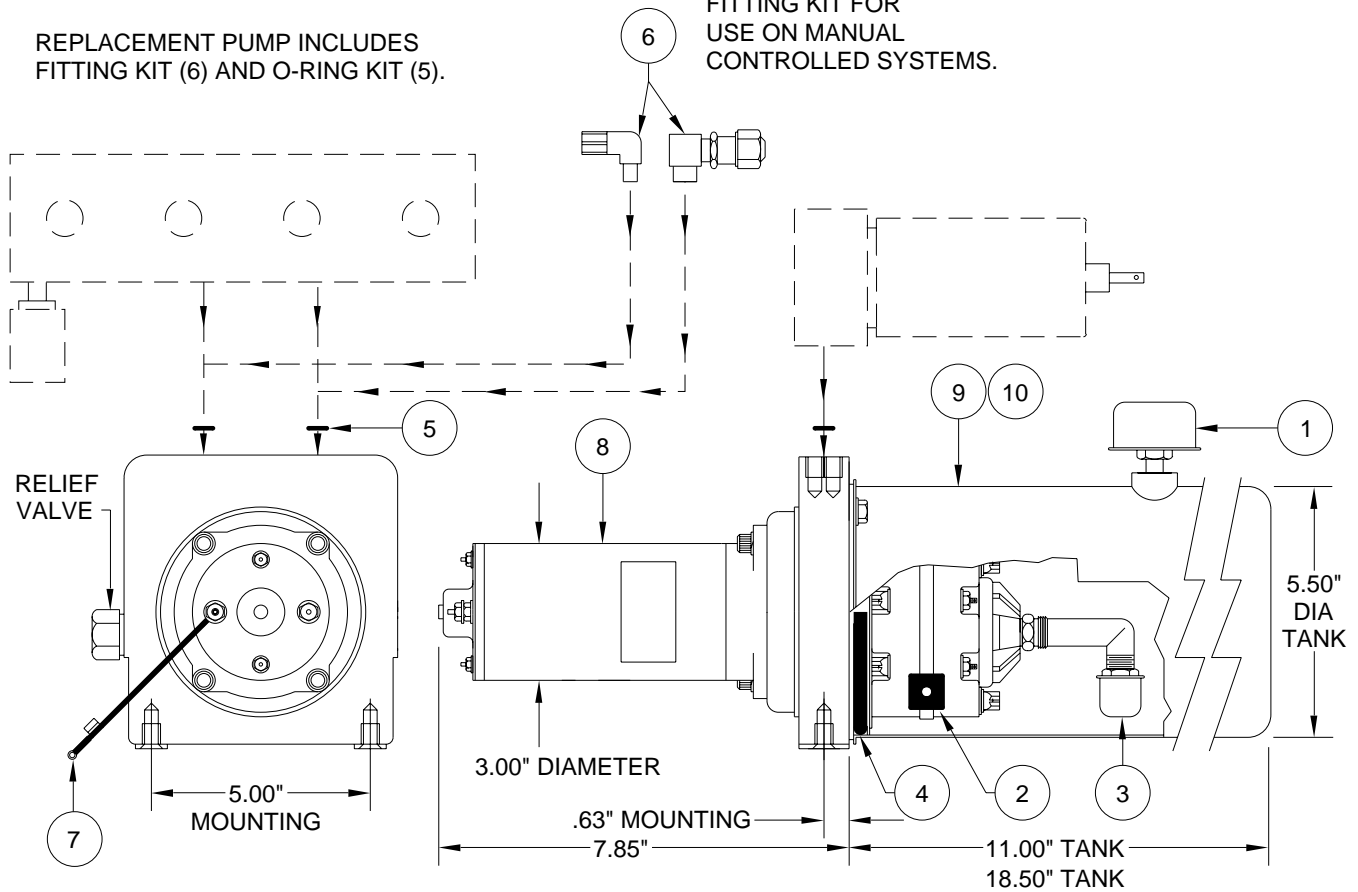
PUMP/MOTOR/TANK ASSEMBLY

AP0588/AP0195 FENNER STONE - OBSOLETE

PUMP RELIEF IS SET AT 3500 PSI.

REPLACEMENT PUMP INCLUDES FITTING KIT (6) AND O-RING KIT (5).

FITTING KIT FOR USE ON MANUAL CONTROLLED SYSTEMS.



**FENNER STONE
3.00" MOTOR
SUPPLIED 1992 TO 1998**

| ITEM | PART | QTY | DESCRIPTION | ITEM | PART | QTY | DESCRIPTION |
|------|---------|------------|---|------|------------|-----|--|
| | AP0588 | OBS | POWER UNIT/ BMS/1.7 GALLON 3" MOTOR | 5 | ** RAP9171 | 1 | SEAL KIT |
| | AP0195 | OBS | POWER UNIT/ BMS/ .75 500w, STONE #4044 JET AIR ONLY | 6 | RAP0586 | 1 | FITTING KIT (INCLUDES ITEM 5) |
| 1 | RAP7876 | 1 | BREATHER CAP/ DIPSTICK | 7 | RAP0830 | 1 | GROUND CABLE |
| 2 | RP3526 | 1 | MAGNET | 8 | OBS | 1 | MOTOR 800w 3" STONE #4042 |
| 3 | RP3525 | 1 | STRAINER | 9 | RP9780 | 1 | TANK .75 GALLON 11" X 5.5" ROUND |
| 4 | RP3515 | 1 | O-RING TANK | 10 | RP3521 | 1 | TANK 1.5 GALLON 16.0" X 5.5" ROUND (REPLACES THE 18.5" TANK) |

NOTE : THIS POWER UNIT IS NO LONGER AVAILABLE. SOME PARTS FOR REBUILDING THESE PUMPS MAY BE AVAILABLE. SEE THE REPLACEMENT INFORMATION PAGE FOR REPLACEMENT PUMP.

**RAP9171 O-RING KIT INCLUDES (2) O2-014-9N O-RINGS FOR THE 5/8" SPOT FACE AND (2) O2-015-9N O-RINGS FOR THE 11/16" SPOT FACE

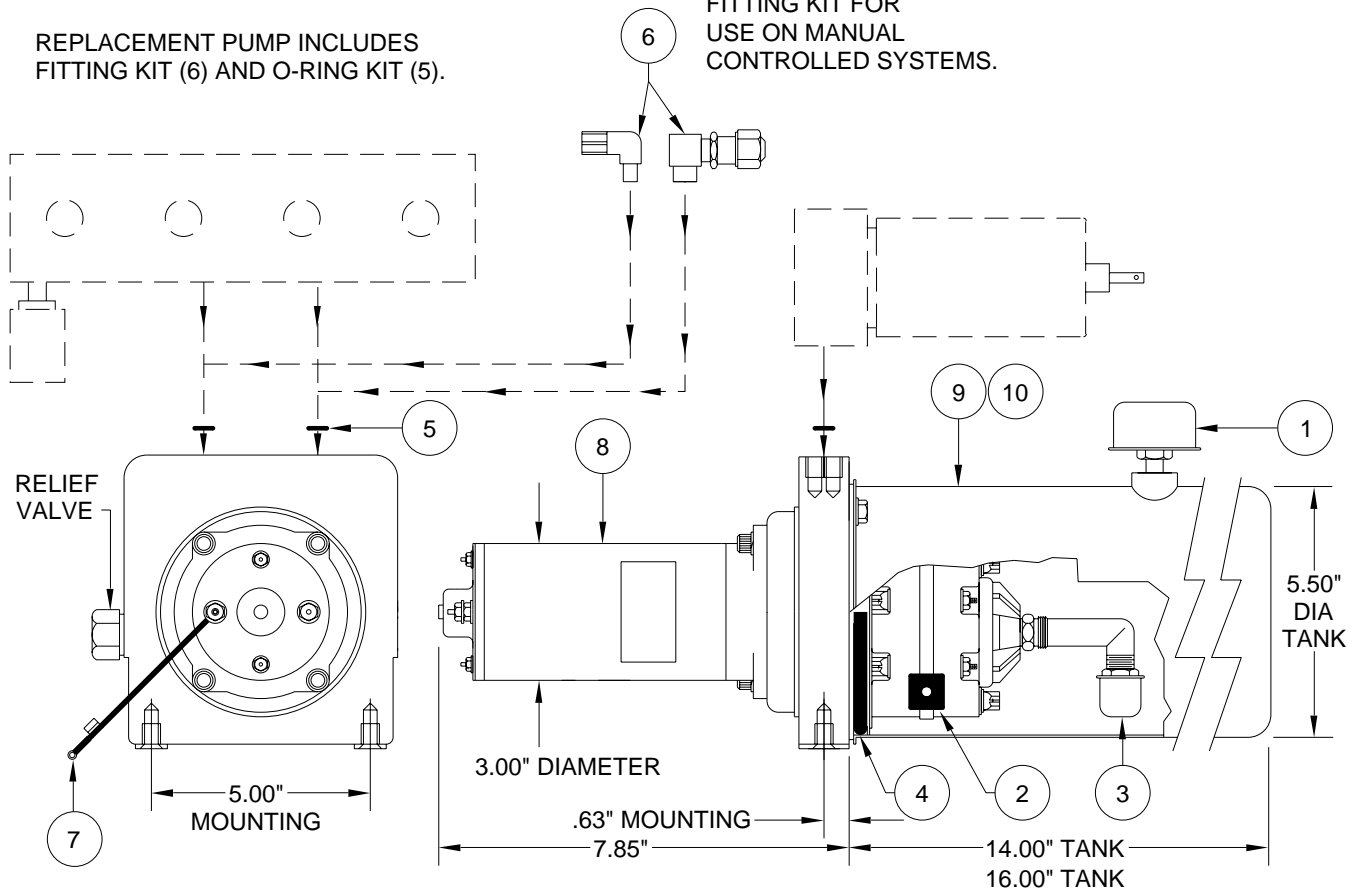
PUMP/MOTOR/TANK ASSEMBLY

AP0002/AP0071 FENNER STONE - OBSOLETE

PUMP RELIEF IS SET AT 3500 PSI.

REPLACEMENT PUMP INCLUDES FITTING KIT (6) AND O-RING KIT (5).

FITTING KIT FOR USE ON MANUAL CONTROLLED SYSTEMS.



**FENNER STONE
3.00" MOTOR
SUPPLIED 1992 TO 1995**

| ITEM | PART | QTY | DESCRIPTION | ITEM | PART | QTY | DESCRIPTION |
|------|---------|------------|-------------------------------------|------|------------|-----|----------------------------------|
| | AP0002 | OBS | POWER UNIT/ BMS/1.0 GALLON 3" MOTOR | 5 | ** RAP9171 | 1 | SEAL KIT |
| | AP0071 | OBS | POWER UNIT/ BMS/1.5 GALLON 3" MOTOR | 6 | RAP0586 | 1 | FITTING KIT (INCLUDES ITEM 5) |
| 1 | RAP7876 | 1 | BREATHER CAP/ DIPSTICK | 7 | RAP0830 | 1 | GROUND CABLE |
| 2 | RP3526 | 1 | MAGNET | 8 | OBS | 1 | MOTOR 800w 3" STONE #4042 |
| 3 | RP3525 | 1 | STRAINER | 9 | RP4132 | 1 | TANK 1.0 GALLON 14" X 5.5" ROUND |
| 4 | RP3515 | 1 | O-RING TANK | 10 | RP3521 | 1 | TANK 1.5 GALLON 16" X 5.5" ROUND |

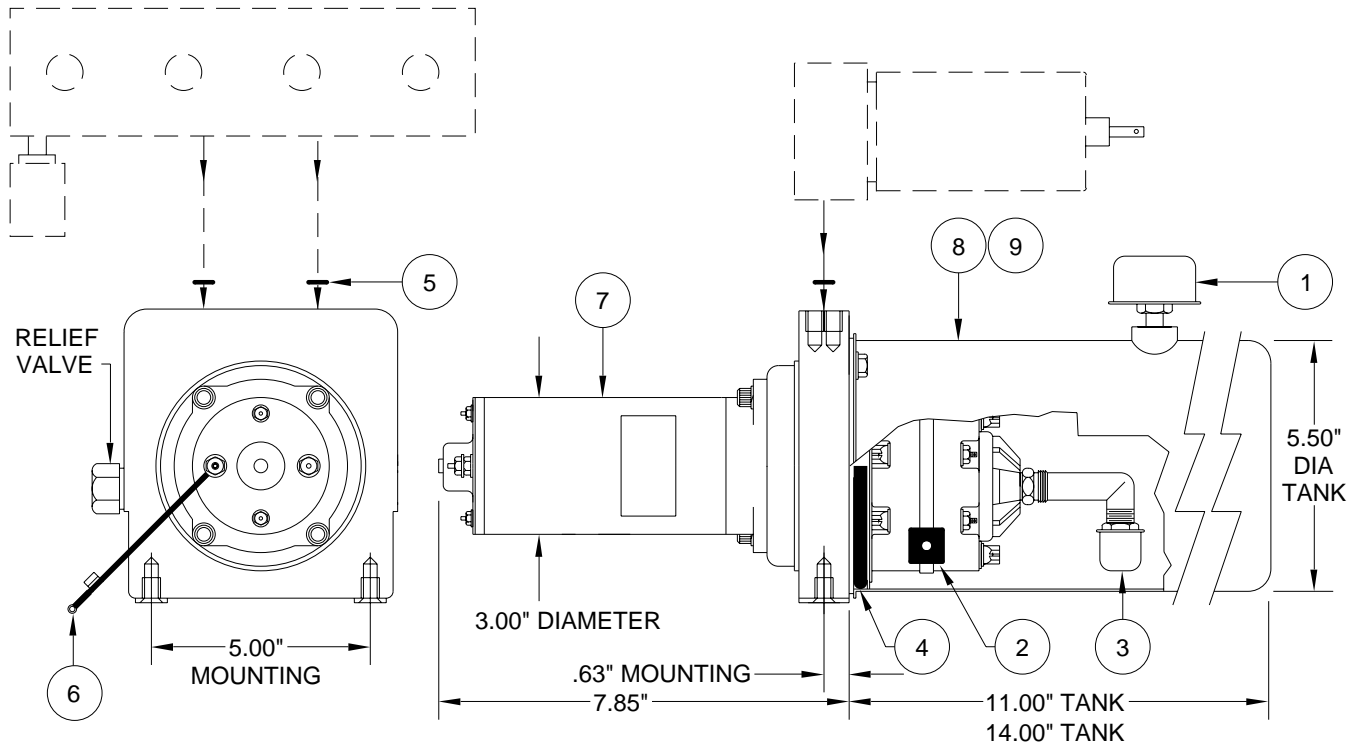
NOTE : THIS POWER UNIT IS NO LONGER AVAILABLE. SOME PARTS FOR REBUILDING THESE PUMPS MAY BE AVAILABLE. SEE THE REPLACEMENT INFORMATION PAGE FOR REPLACEMENT PUMP.

**RAP9171 O-RING KIT INCLUDES (2) O2-014-9N O-RINGS FOR THE 5/8" SPOT FACE AND (2) O2-015-9N O-RINGS FOR THE 11/16" SPOT FACE

PUMP/MOTOR/TANK ASSEMBLY AP9202/AP9500 FENNER STONE - OBSOLETE

PUMP RELIEF IS SET AT 3500 PSI.

REPLACEMENT PUMP INCLUDES
FITTING KIT (6) AND O-RING KIT (5).



**FENNER STONE
3.00" MOTOR
SUPPLIED 1991 TO 1993**

| ITEM | PART | QTY | DESCRIPTION | ITEM | PART | QTY | DESCRIPTION |
|------|---------|------------|--------------------------------------|------|------------|-----|------------------------------------|
| | AP9202 | OBS | POWER UNIT/ BMS/1.0 GALLON 3" MOTOR | 5 | ** RAP9171 | 1 | SEAL KIT |
| | AP9508 | OBS | POWER UNIT/ BMS/ .75 GALLON 3" MOTOR | 6 | RAP0830 | 1 | GROUND CABLE |
| 1 | RAP7876 | 1 | BREATHER CAP/ DIPSTICK | 7 | OBS | 1 | MOTOR 800w 3" STONE #4042 |
| 2 | RP3526 | 1 | MAGNET | 8 | RP9780 | 1 | TANK .75 GALLON 11.0" X 5.5" ROUND |
| 3 | RP3525 | 1 | STRAINER | 9 | RP4132 | 1 | TANK 1.0 GALLON 14.0" X 5.5" ROUND |
| 4 | RP3515 | 1 | O-RING TANK | | | | |

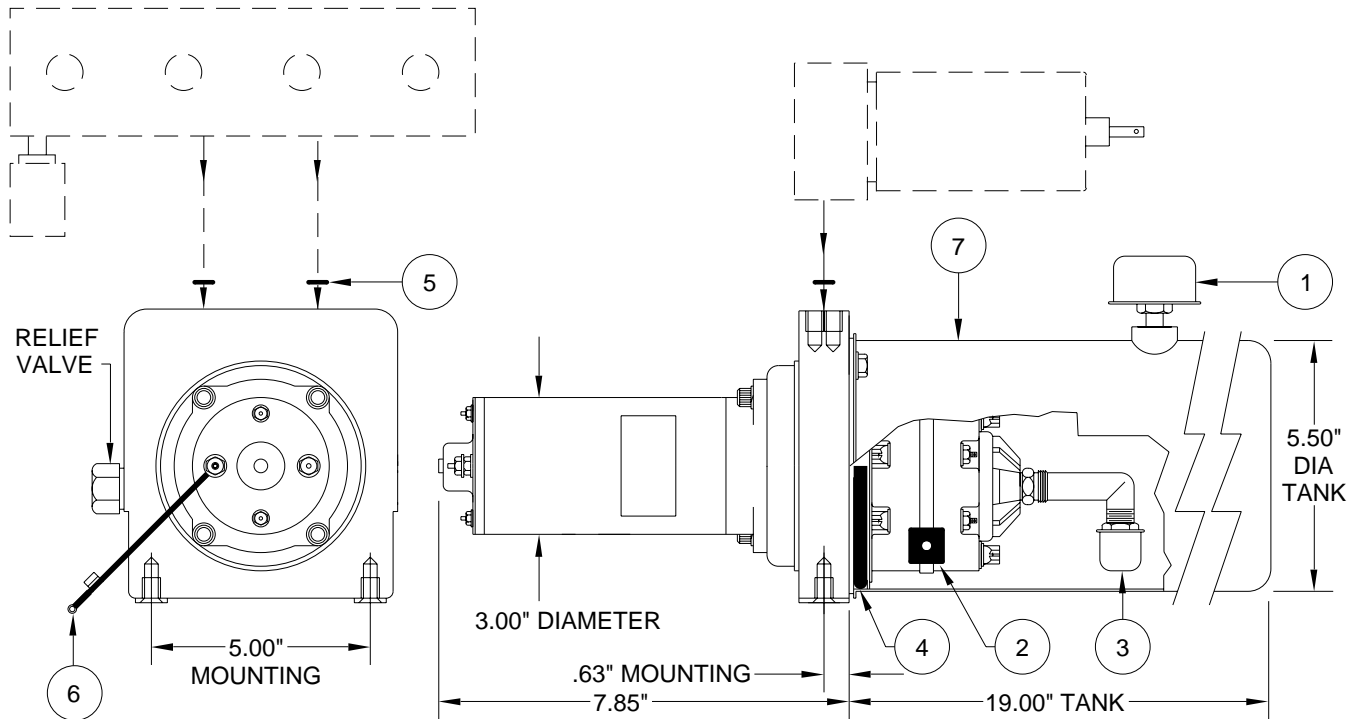
NOTE : THIS POWER UNIT IS NO LONGER AVAILABLE. SOME PARTS FOR REBUILDING THESE PUMPS MAY BE AVAILABLE. SEE THE REPLACEMENT INFORMATION PAGE FOR REPLACEMENT PUMP.

**RAP9171 O-RING KIT INCLUDES (2) O2-014-9N O-RINGS FOR THE 5/8" SPOT FACE AND (2) O2-015-9N O-RINGS FOR THE 11/16" SPOT FACE

PUMP/MOTOR/TANK ASSEMBLY AP11107 FENNER STONE - OBSOLETE

PUMP RELIEF IS SET AT 3500 PSI.

REPLACEMENT PUMP INCLUDES
O-RING KIT (5).



**FENNER STONE
3.00\"/>**

| ITEM | PART | QTY | DESCRIPTION | ITEM | PART | QTY | DESCRIPTION |
|------|---------|------------|----------------------------------|------|------------|-----|-----------------------------|
| | AP11107 | OBS | POWER UNIT/ BMS/1.5 GALLON 3\"/> | | | | |
| 1 | RAP7876 | 1 | BREATHER CAP/ DIPSTICK | 5 | ** RAP9171 | 1 | SEAL KIT |
| 2 | RP3526 | 1 | MAGNET | 6 | RAP0830 | 1 | GROUND CABLE |
| 3 | RP3525 | 1 | STRAINER | 7 | RP3521 | 1 | TANK 1.5 GALLON 16.0\"/> |
| 4 | RP3515 | 1 | O-RING TANK | | | | |

NOTE : THIS POWER UNIT IS NO LONGER AVAILABLE. SOME PARTS FOR REBUILDING THESE PUMPS MAY BE AVAILABLE. SEE THE REPLACEMENT INFORMATION PAGE FOR REPLACEMENT PUMP.

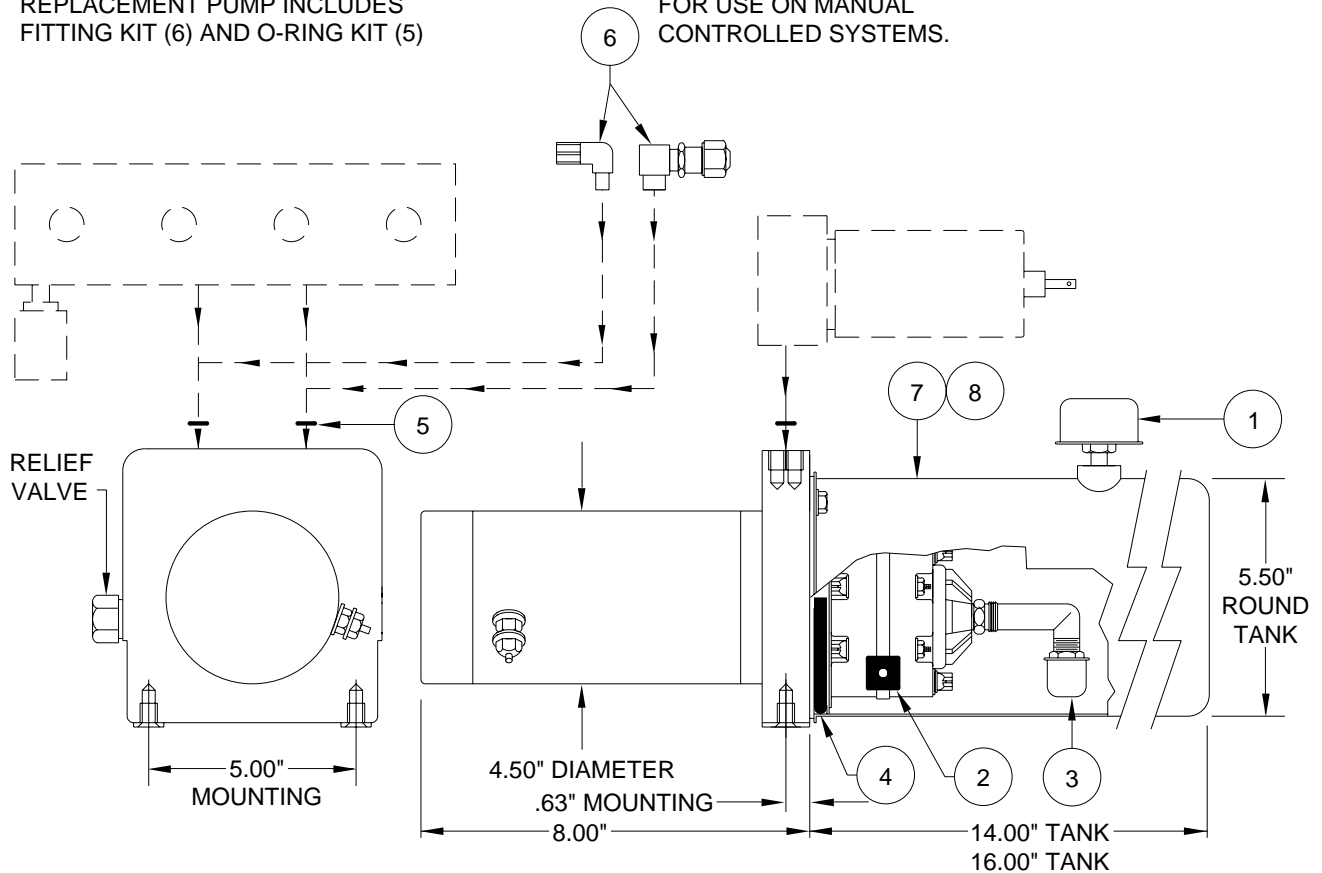
**RAP9171 O-RING KIT INCLUDES (2) O2-014-9N O-RINGS FOR THE 5/8\"/>

PUMP/MOTOR/TANK ASSEMBLY AP8086/AP8595 FENNER STONE - OBSOLETE

PUMP RELIEF IS SET AT 3500 PSI.

REPLACEMENT PUMP INCLUDES
FITTING KIT (6) AND O-RING KIT (5)

FITTING KIT
FOR USE ON MANUAL
CONTROLLED SYSTEMS.



**FENNER STONE
4.50" MOTOR
SUPPLIED 1991 TO 1992**

| ITEM | PART | QTY | DESCRIPTION | ITEM | PART | QTY | DESCRIPTION |
|------|---------|------------|--------------------------------------|------|-----------|-----|----------------------------------|
| | AP8086 | OBS | POWER UNIT/BMS/1.0 GALLON 4.5" MOTOR | 5 | **RAP9171 | 1 | SEAL KIT |
| | AP8595 | OBS | POWER UNIT/BMS/1.5 GALLON 4.5" MOTOR | 6 | RAP0586 | 1 | FITTING KIT (INCLUDES ITEM 5) |
| 1 | RAP7876 | 1 | BREATHER CAP / DIPSTICK | 7 | RP4132 | 1 | TANK 1.0 GALLON 14" X 5.5" ROUND |
| 2 | RP3526 | 1 | MAGNET | 8 | RP3521 | 1 | TANK 1.5 GALLON 16" X 5.5" ROUND |
| 3 | RP3525 | 1 | STRAINER | | | | |
| 4 | RP3515 | 1 | O-RING TANK | | | | |

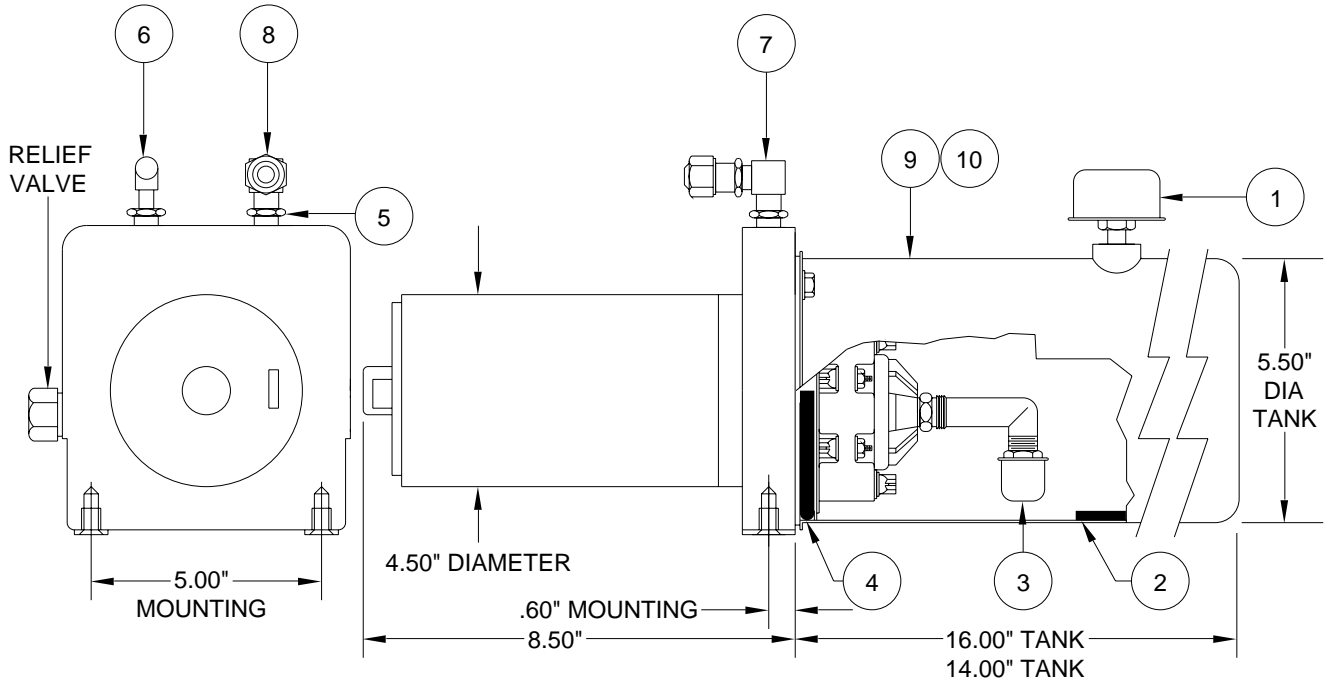
* CONTACT HWH WHEN REPLACING ONE OF THESE POWER UNITS ON A 610 PUMP/MANIFOLD. IN MIDYEAR 1992 THE PRESSURE AND RETURN PORTS ON TOP OF THE PUMPS WERE CHANGED FROM 0.438" DIA. HOLES TO 1/4" NPT (.54" DIA.) THREADED HOLES. THUS THE O-RING SPOT FACES ON THE BOTTOM OF THE MANIFOLD WERE CHANGED FROM 5/8" DIA. TO 11/16" DIA. TO ALLOW LARGER O-RINGS TO COVER THE LARGER PUMP PORT. REPLACEMENT PUMPS HAVE THE 1/4" NPT PORTS THUS THE MANIFOLD MUST BE CHECKED TO DETERMINE IF IT HAS THE 11/16" DIA. SPOT FACES. IF THE MANIFOLD DOES NOT HAVE THE 11/16" DIA. SPOT FACES IT MUST BE RETURNED TO HWH FOR RE-SPOT FACING.

** RAP9171 O-RING KIT CONTAINS (2) O2-014-9N O-RINGS FOR THE 5/8" SPOT FACE AND (2) O2-015-9N O-RINGS FOR THE 11/16" SPOT FACE.

**MR30.4600
14APR14**

PUMP/MOTOR/TANK ASSEMBLY AP3913/AP4185 FENNER STONE - OBSOLETE

PUMP RELIEF IS SET AT 3500 PSI.



**STONE POWER UNIT
4.50" MOTOR
SUPPLIED 1983 TO 1991**

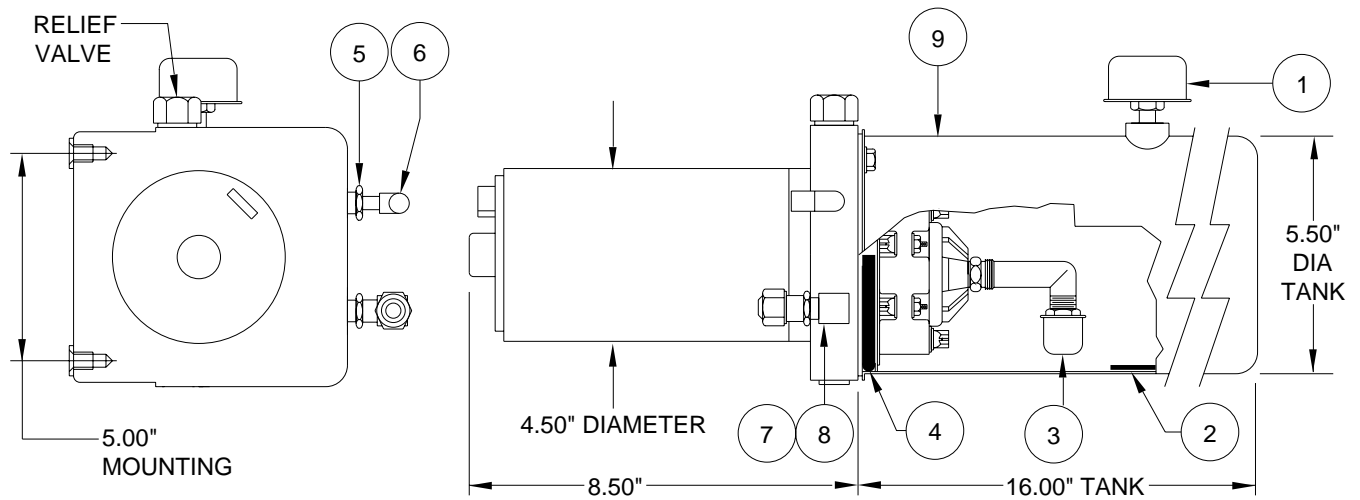
| ITEM | PART | QTY | DESCRIPTION | ITEM | PART | QTY | DESCRIPTION |
|------|---------|------------|--------------------------------------|------|--------|-----|---|
| | AP3913 | OBS | POWER UNIT/BMS/1.0 GALLON 4.5" MOTOR | 7 | RF3340 | 1 | BRASS ELBOW 1/4" X 1/4" |
| | AP4185 | OBS | POWER UNIT/BMS/1.5 GALLON 4.5" MOTOR | 8 | RF1458 | 1 | MALE CONNECTOR 1/2" X 3/8" |
| 1 | RAP7876 | 1 | BREATHER CAP/ DIPSTICK | 9 | RP4132 | 1 | TANK 1.0 GALLON 14" X 5.5" ROUND |
| 2 | RP3526 | 1 | MAGNET | 10 | RP3521 | 1 | TANK 1.5 GALLON 16" X 5.5" ROUND |
| 3 | RP3525 | 1 | STRAINER | | R5303 | | BRACKET KIT ADAPTS BOTTOM MOUNT PUMP TO SIDE MOUNT. |
| 4 | RP3515 | 1 | O-RING TANK | | R3804 | | PUMP MTG. ADAPTOR ADAPTS 4.5" TO 5." MTG. HOLES |
| 5 | RF2912 | 2 | REDUCER 3/8" X 1/4" | | | | |
| 6 | RF1514 | 1 | ELBOW 1/4" X 1/4" | | | | |

NOTE : THIS POWER UNIT IS NO LONGER AVAILABLE. SOME PARTS FOR REBUILDING THESE PUMPS MAY BE AVAILABLE. SEE THE REPLACEMENT INFORMATION PAGE FOR REPLACEMENT PUMP.

**MR30.4625
14APR14**

PUMP/MOTOR/TANK ASSEMBLY AP3916 FENNER STONE - OBSOLETE

PUMP RELIEF IS SET AT 3500 PSI.



FENNER STONE 1.5 GALLON SIDE MOUNT SUPPLIED 1982 TO 1993

| ITEM | PART | QTY | DESCRIPTION | ITEM | PART | QTY | DESCRIPTION |
|------|---------|------------|--------------------------------------|------|--------|-----|---|
| | AP3916 | OBS | POWER UNIT/SMS/1.5 GALLON 4.5" MOTOR | 6 | RF1514 | 1 | ELBOW 1/4" X 1/4" |
| 1 | RAP7876 | 1 | BREATHER CAP/ DIPSTICK | 7 | RF3340 | 1 | BRASS ELBOW 1/4" X 1/4" |
| 2 | RP3526 | 1 | MAGNET | 8 | RF1458 | 1 | MALE CONNECTOR 1/2" X 1/4" |
| 3 | RP3525 | 1 | STRAINER | 9 | RP3521 | 1 | TANK 1.5 GALLON 16" X 5.5" ROUND |
| 4 | RP3515 | 1 | O-RING TANK | | R5303 | | BRACKET KIT ADAPTS SIDE MOUNT PUMP TO BOTTOM MOUNT. |
| 5 | RF2912 | 2 | REDUCER 3/8" X 1/4" | | | | |

NOTE : THIS POWER UNIT IS NO LONGER AVAILABLE.
SOME PARTS FOR REBUILDING THESE PUMPS
MAY BE AVAILABLE. SEE THE REPLACEMENT
INFORMATION PAGE FOR REPLACEMENT PUMP.

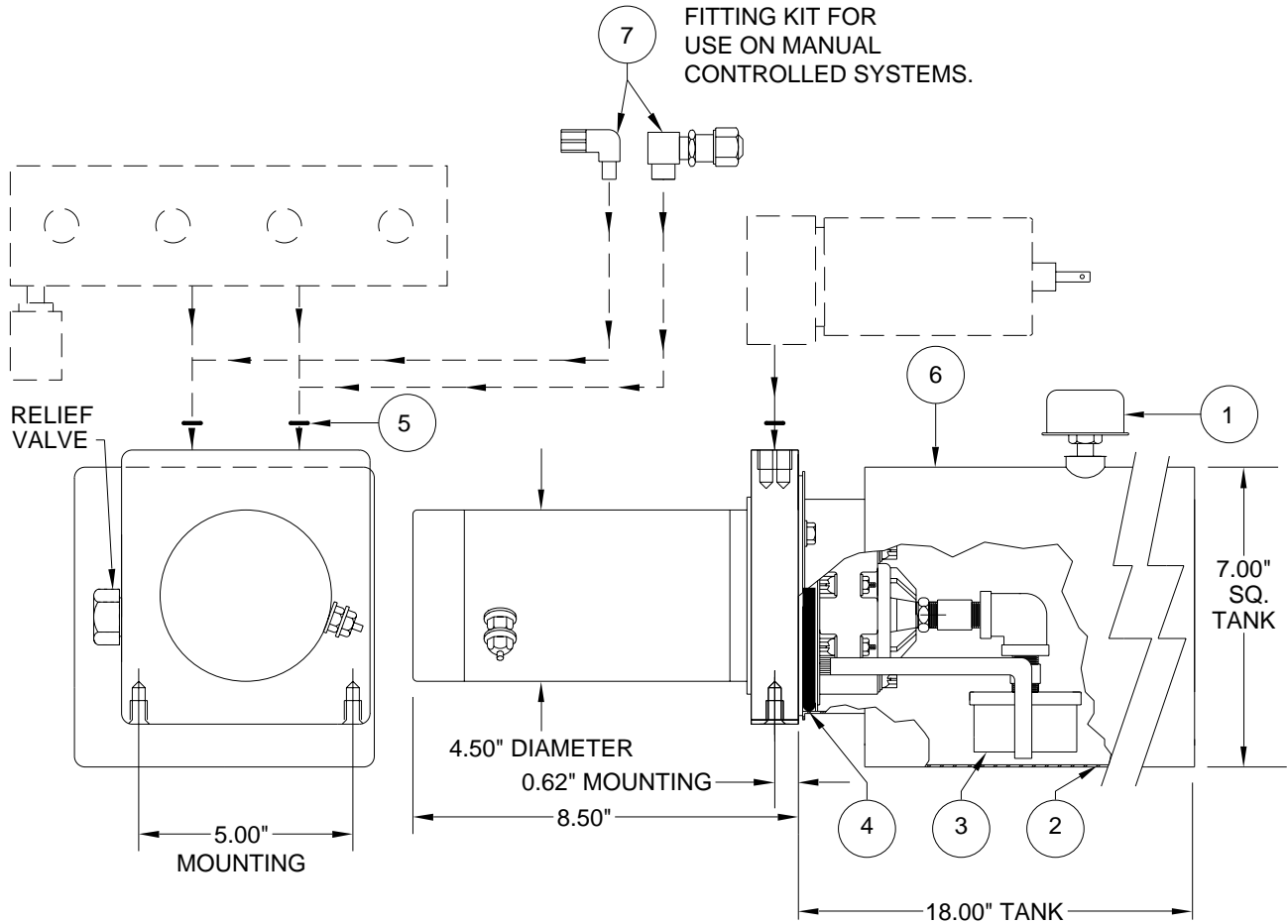
**MR30.4650
14APR14**

PUMP/MOTOR/TANK ASSEMBLY

AP8388/AP0934 FENNER STONE - OBSOLETE

PUMP RELIEF IS SET AT 3500 PSI.

REPLACEMENT PUMP INCLUDES FITTING KIT (7) AND O-RING KIT (5).



**FENNER STONE
3.5 GALLON SQUARE TANK
SUPPLIED 1991 TO 1997**

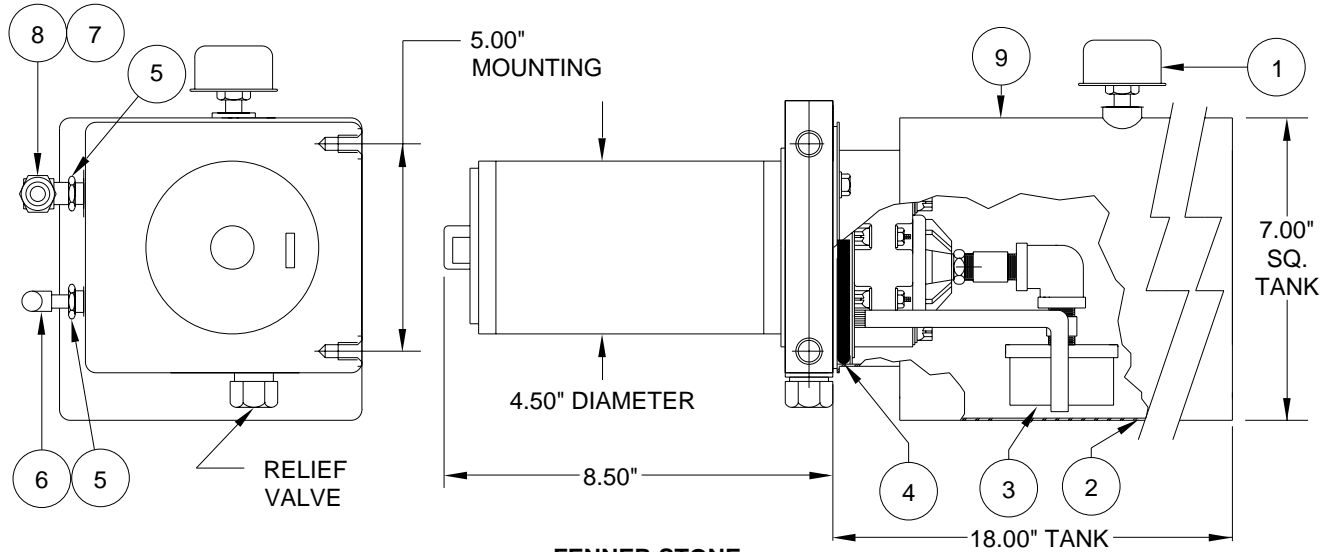
| ITEM | PART | QTY | DESCRIPTION | ITEM | PART | QTY | DESCRIPTION |
|------|---------|------------|--|------|------------|-----|---------------------------------|
| | AP8388 | OBS | POWER UNIT/BMS/3.5 GALLON 4.5" MOTOR 12V | 4 | RP3515 | 1 | O-RING TANK |
| | AP0934 | OBS | POWER UNIT/BMS/3.5 GALLON 4.5" MOTOR 24V | 5 | ** RAP9171 | 1 | O-RING KIT MANIFOLD |
| 1 | RAP7876 | 1 | BREATHER CAP/ DIPSTICK | 6 | RP4659 | 1 | TANK 3.5 GALLON 18" X 7" SQUARE |
| 2 | RP3526 | 1 | MAGNET | 7 | RAP0586 | 1 | FITTING KIT (INCLUDES ITEM 5) |
| 3 | RP5292 | 1 | STRAINER | | | | |

NOTE : THIS POWER UNIT IS NO LONGER AVAILABLE. SOME PARTS FOR REBUILDING THESE PUMPS MAY BE AVAILABLE. SEE THE REPLACEMENT INFORMATION PAGE FOR REPLACEMENT PUMP.

**RAP9171 O-RING KIT INCLUDES (2) O2-014-9N O-RINGS FOR THE 5/8" SPOT FACE AND (2) O2-015-9N O-RINGS FOR THE 11/16" SPOT FACE ON MANIFOLD

PUMP/MOTOR/TANK ASSEMBLY AP4702 FENNER STONE - OBSOLETE

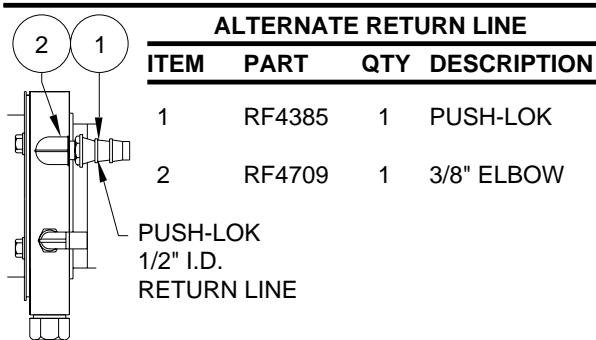
PUMP RELIEF IS SET AT 3500 PSI.



**FENNER STONE
3.5 GALLON SIDE MOUNT
SUPPLIED 1987 TO 1997**

| ITEM | PART | QTY | DESCRIPTION | ITEM | PART | QTY | DESCRIPTION |
|------|---------|------------|--------------------------------------|------|--------|-----|--------------------------------------|
| | AP4702 | OBS | POWER UNIT/SMS/3.5 GALLON 4.5" MOTOR | 5 | RF2912 | 2 | REDUCER 3/8" X 1/4" |
| 1 | RAP7876 | 1 | BREATHER CAP/ DIPSTICK | 6 | RF1514 | 1 | ELBOW 1/4" X 1/4" |
| 2 | RP3526 | 1 | MAGNET | 7 | RF3340 | 1 | BRASS ELBOW 1/4" X 1/4" |
| 3 | RP5292 | 1 | STRAINER/SHROUD | 8 | RF1458 | 1 | MALE CONNECTOR 1/2" X 1/4" |
| 4 | RP3515 | 1 | O-RING TANK | 9 | RP4659 | 1 | TANK 3.5 GALLON 18" X 7.0" SQUARE |

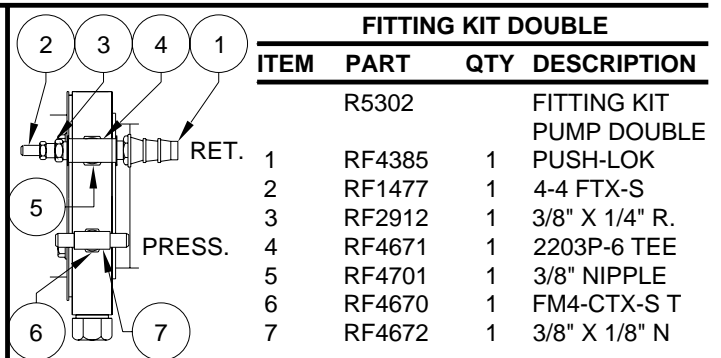
SEE "ALTERNATE RETURN FITTINGS" BELOW FOR BLUE BIRD COACHES.



| ALTERNATE RETURN LINE | | | |
|-----------------------|--------|-----|-------------|
| ITEM | PART | QTY | DESCRIPTION |
| 1 | RF4385 | 1 | PUSH-LOK |
| 2 | RF4709 | 1 | 3/8" ELBOW |

PUSH-LOK
1/2" I.D.
RETURN LINE

USED ON SOME BLUE BIRD COACHES
BEGINING IN 1987



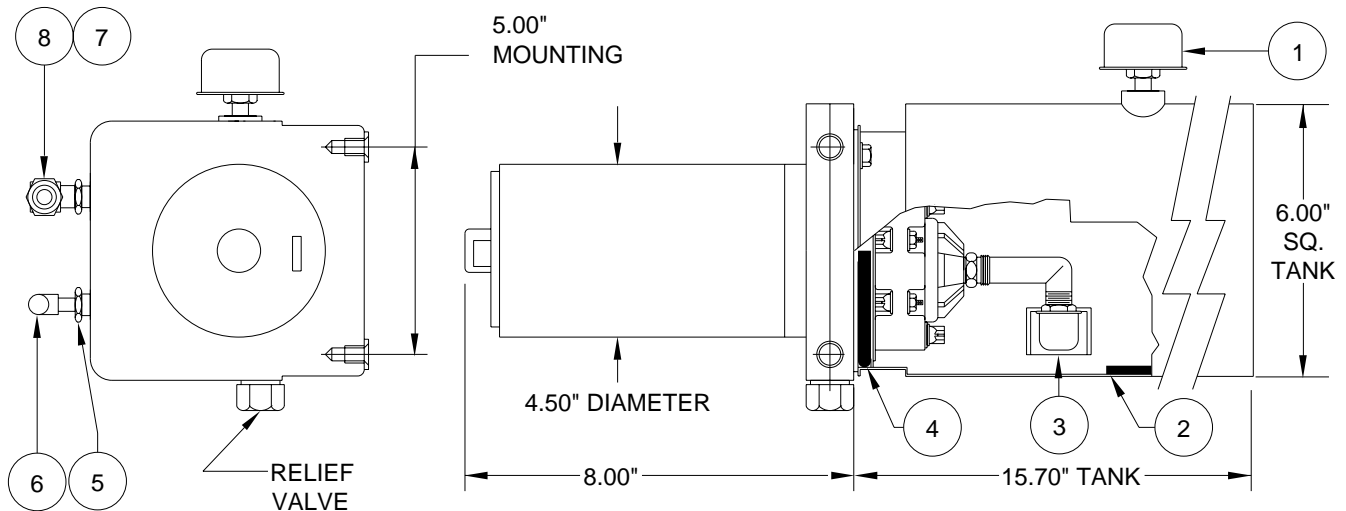
| FITTING KIT DOUBLE | | | |
|--------------------|--------|-----|----------------------------|
| ITEM | PART | QTY | DESCRIPTION |
| | R5302 | | FITTING KIT PUMP DOUBLE |
| 1 | RF4385 | 1 | PUSH-LOK |
| 2 | RF1477 | 1 | 4-4 FTX-S |
| 3 | RF2912 | 1 | 3/8" X 1/4" R. |
| 4 | RF4671 | 1 | 2203P-6 TEE |
| 5 | RF4701 | 1 | 3/8" NIPPLE |
| 6 | RF4670 | 1 | FM4-CTX-S T |
| 7 | RF4672 | 1 | 3/8" X 1/8" N |

RET. PRESS.
CONVERTS PUMP TO (2) PRESS. AND (2) RETURN LINES.
USED ON BLUE BIRD PUSHERS W/HYD. GENERATOR
SLIDE OUT.

NOTE : THIS POWER UNIT IS NO LONGER AVAILABLE.
SOME PARTS FOR REBUILDING THESE PUMPS
MAY BE AVAILABLE. SEE THE REPLACEMENT
INFORMATION PAGE FOR REPLACEMENT PUMP.

PUMP/MOTOR/TANK ASSEMBLY AP3910 FENNER STONE - OBSOLETE

PUMP RELIEF IS SET AT 3500 PSI.



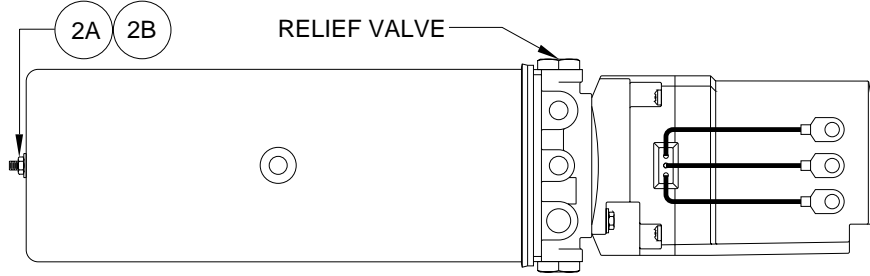
FENNER STONE 2.0 GALLON SIDE MOUNT SUPPLIED 1987 TO 1992

| ITEM | PART | QTY | DESCRIPTION | ITEM | PART | QTY | DESCRIPTION |
|------|---------|------------|--------------------------------------|------|--------|-----|-------------------------------|
| | AP3910 | OBS | POWER UNIT/SMS/2.0 GALLON 4.5" MOTOR | 5 | RF2912 | 2 | REDUCER 3/8" X 1/4" |
| 1 | RAP7876 | 1 | BREATHER CAP/ DIPSTICK | 6 | RF1514 | 1 | ELBOW 1/4" X 1/4" |
| 2 | RP3526 | 1 | MAGNET | 7 | RF3340 | 1 | BRASS ELBOW 1/4" X 1/4" |
| 3 | RP5292 | 1 | STRAINER/SHROUD | 8 | RF1548 | 1 | MALE CONNECTOR 1/2" X 1/4" |
| 4 | RP3515 | 1 | O-RING TANK | | | | |

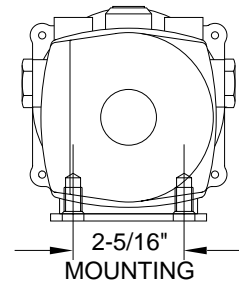
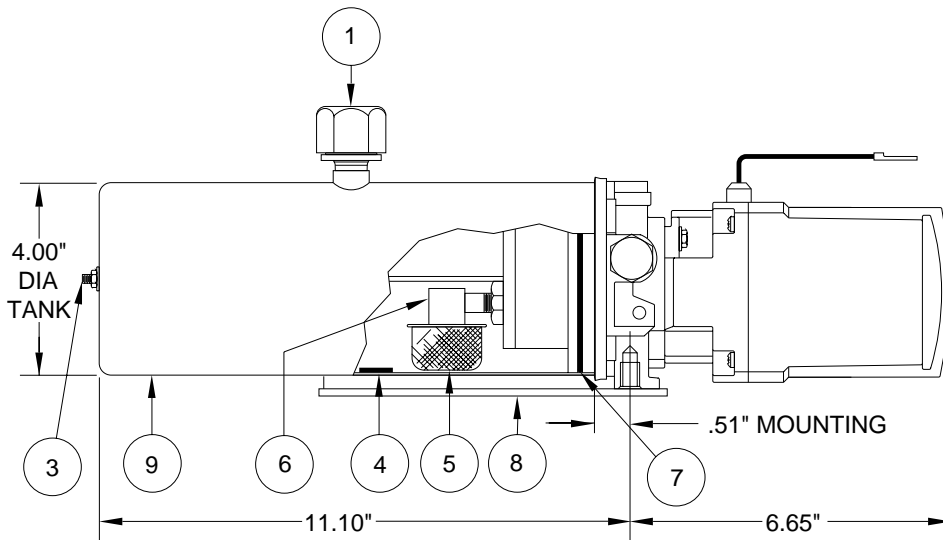
NOTE : THIS POWER UNIT IS NO LONGER AVAILABLE. SOME PARTS FOR REBUILDING THESE PUMPS MAY BE AVAILABLE. SEE THE REPLACEMENT INFORMATION PAGE FOR REPLACEMENT PUMP.

PUMP/MOTOR/TANK ASSEMBLY AP11106 PARKER/OILDYNE BI-DIRECTIONAL

PUMP RELIEF IS SET AT 3000 PSI.



THIS IS A BI-DIRECTIONAL PUMP. NOTE THE THREE WIRES FOR THE MOTOR INSTEAD OF TWO. THIS PUMP CAN NOT BE USED AS A REPLACEMENT FOR ANY OTHER PUMP.

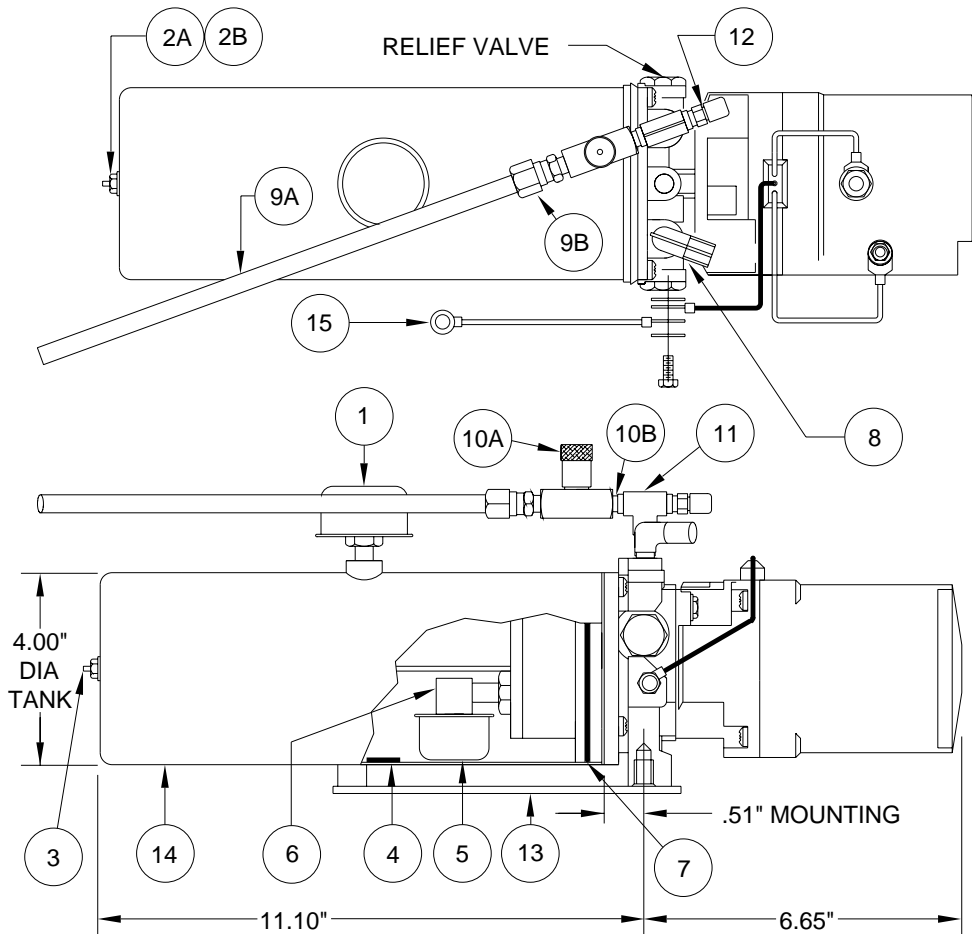


**OILDYNE
0.57 GALLON BI-DIRECTIONAL
SUPPLIED 1995 TO PRESENT**

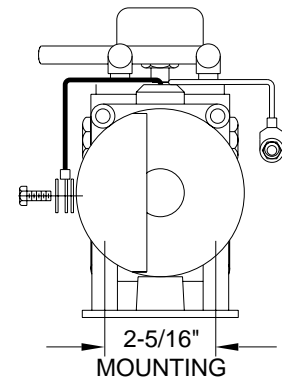
| ITEM | PART | QTY | DESCRIPTION | ITEM | PART | QTY | DESCRIPTION |
|------|----------|-----|---|------|---------|-----|--|
| | RAP90090 | | POWER UNIT/BMO/0.57 BI-DIRECTIONAL PUMP | 5 | RP7532 | 1 | STRAINER |
| 1 | RAP7876 | 1 | BREATHER CAP/ DIPSTICK | 6 | RP7498 | 1 | ELBOW |
| 2 | RAP7496 | 1 | TANK MTG. KIT | 7 | RP7499 | 1 | O-RING TANK |
| 2A | | 1 | HEX NUT | 8 | RP7533 | 1 | TANK SUPPORT |
| 2B | | 1 | WASHER/SEAL | 9 | RAP7495 | 1 | TANK 0.57 GALLON 10.5" X 4.0" ROUND |
| 3 | RP7497 | 1 | TANK MTG. ROD | | | | |
| 4 | RP3526 | 1 | MAGNET | | | | |

PUMP/MOTOR/TANK ASSEMBLY AP11515 PARKER/OILDYNE BI-DIRECTIONAL

PUMP RELIEF IS SET AT 3000 PSI.



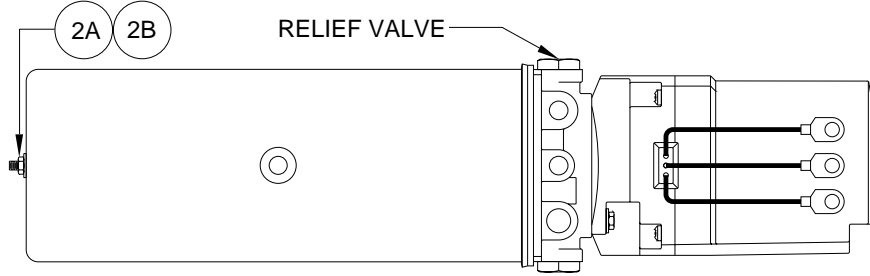
THIS IS A BI-DIRECTIONAL PUMP. NOTE THE THREE WIRES FOR THE MOTOR INSTEAD OF TWO. THIS PUMP CAN NOT BE USED AS A REPLACEMENT FOR ANY OTHER PUMP.



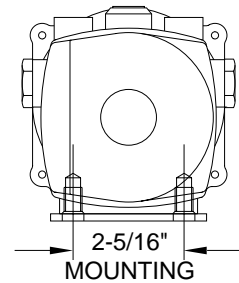
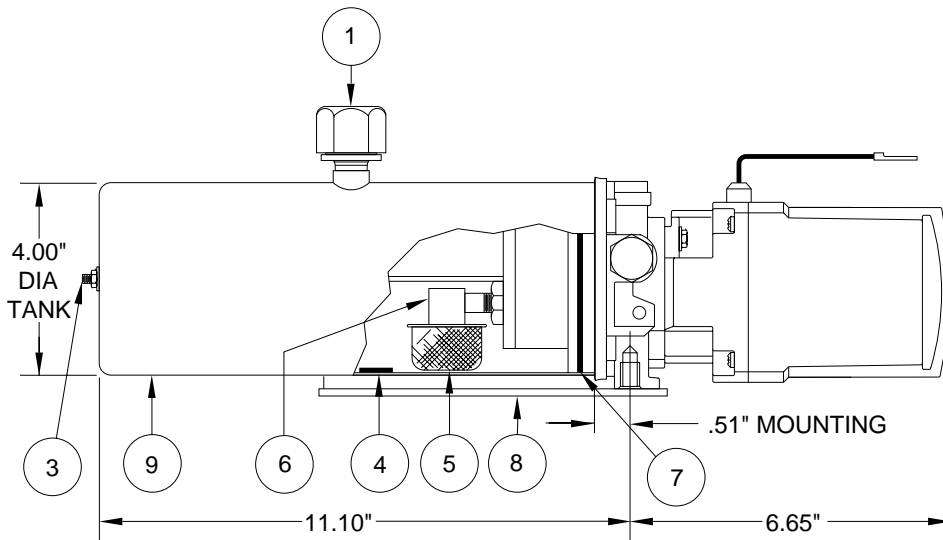
| ITEM | PART | QTY | DESCRIPTION | ITEM | PART | QTY | DESCRIPTION |
|------|----------|-----|---|------|----------|-----|-------------------------------------|
| | RAP90090 | | POWER UNIT/BMO/0.57 BI-DIRECTIONAL PUMP | 9 | RAP90091 | 1 | RETRACT TUBE KIT |
| | | | | 9A | | 1 | 3/8" X 18" TUBE |
| | | | | 9B | | 1 | MALE CONNECTOR 3/8" X 1/8" |
| 1 | RAP7876 | 1 | BREATHER CAP/ DIPSTICK | 10 | RAP90092 | 1 | RETRACT VALVE KIT |
| 2 | RAP7496 | 1 | TANK MTG. KIT | 10A | | 1 | NEEDLE VALVE |
| 2A | | 1 | HEX NUT | 10B | | 1 | NIPPLE 1/8" |
| 2B | | 1 | WASHER/SEAL | 11 | RF90093 | 1 | 1/8" TEE |
| 3 | RP7497 | 1 | TANK MTG. ROD | 12 | RF1456 | 1 | MALE CONNECTOR 1/8" X 1/4" |
| 4 | RP3526 | 1 | MAGNET | 13 | RP7533 | 1 | TANK SUPPORT |
| 5 | RP7532 | 1 | STRAINER | 14 | RP7495 | 1 | TANK 0.57 GALLON 10.5" X 4.0" ROUND |
| 6 | RP7498 | 1 | ELBOW | 15 | RAP90275 | 1 | GROUND WIRE (PUMP MOTOR GRND.) |
| 7 | RP7499 | 1 | O-RING TANK | | | | |
| 8 | RF1453 | 1 | ELBOW 1/8" X 1/4" | | | | |

PUMP/MOTOR/TANK ASSEMBLY AP17437 PARKER/OILDYNE BI-DIRECTIONAL

PUMP RELIEF IS SET AT 2000 PSI.



THIS IS A BI-DIRECTIONAL PUMP. NOTE THE THREE WIRES FOR THE MOTOR INSTEAD OF TWO. THIS PUMP CAN NOT BE USED AS A REPLACEMENT FOR ANY OTHER PUMP.



**OILDYNE
0.57 GALLON BI-DIRECTIONAL
SUPPLIED 1998 TO PRESENT**

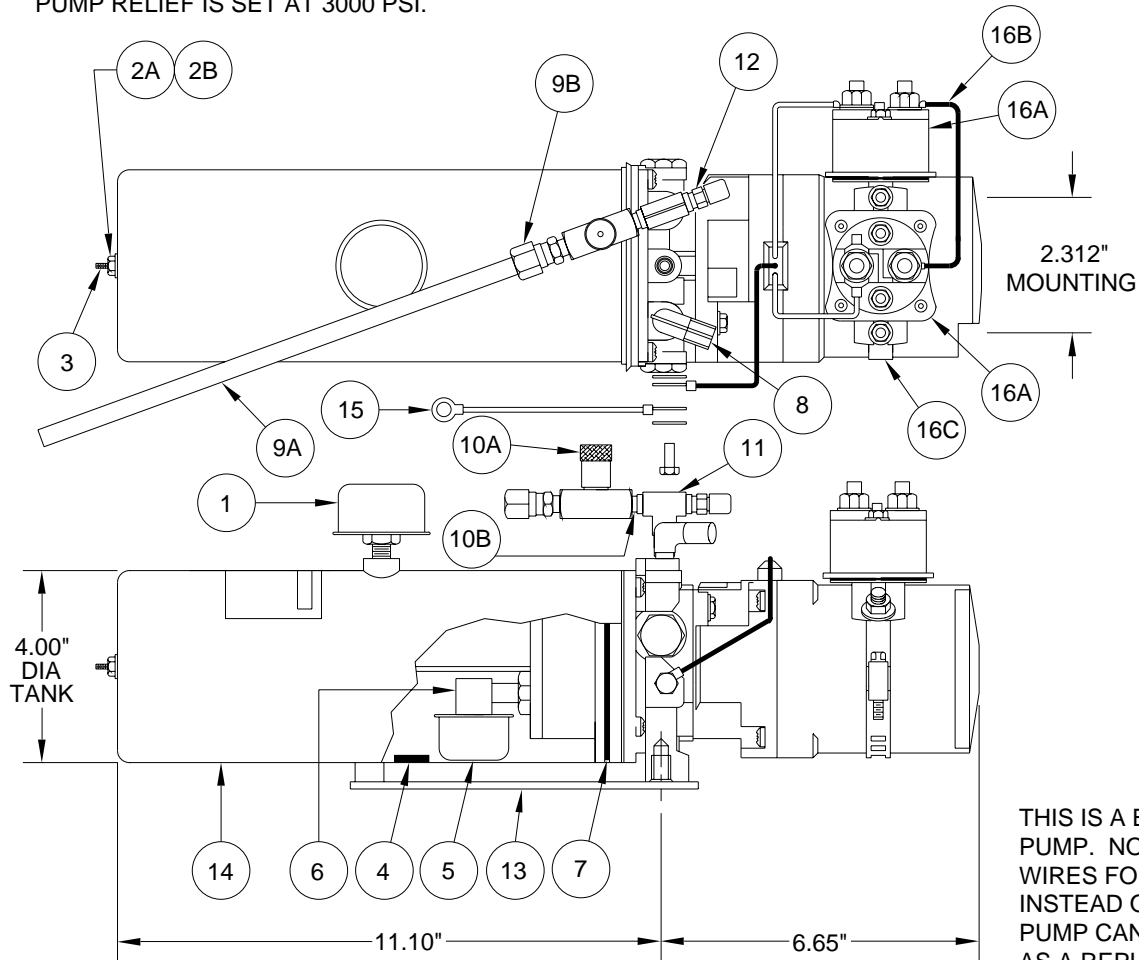
| ITEM | PART | QTY | DESCRIPTION | ITEM | PART | QTY | DESCRIPTION |
|------|----------|-----|---|------|---------|-----|-------------------------------------|
| | RAP92192 | | POWER UNIT/BMO/0.57 AP11106 WITH RELIEF SET AT 2000 PSI | 5 | RP7532 | 1 | STRAINER |
| 1 | RAP7876 | 1 | BREATHER CAP/ DIPSTICK | 6 | RP7498 | 1 | ELBOW |
| 2 | RAP7496 | 1 | TANK MTG. KIT | 7 | RP7499 | 1 | O-RING TANK |
| 2A | | 1 | HEX NUT | 8 | RP7533 | 1 | TANK SUPPORT |
| 2B | | 1 | WASHER/SEAL | 9 | RAP7495 | 1 | TANK 0.57 GALLON 10.5" X 4.0" ROUND |
| 3 | RP7497 | 1 | TANK MTG. ROD | | | | |
| 4 | RP3526 | 1 | MAGNET | | | | |

PUMP/MOTOR/TANK ASSEMBLY

AP11101 PARKER/OILDYNE BI-DIRECTIONAL

AP13069 PARKER/OILDYNE BI-DIRECTIONAL

PUMP RELIEF IS SET AT 3000 PSI.

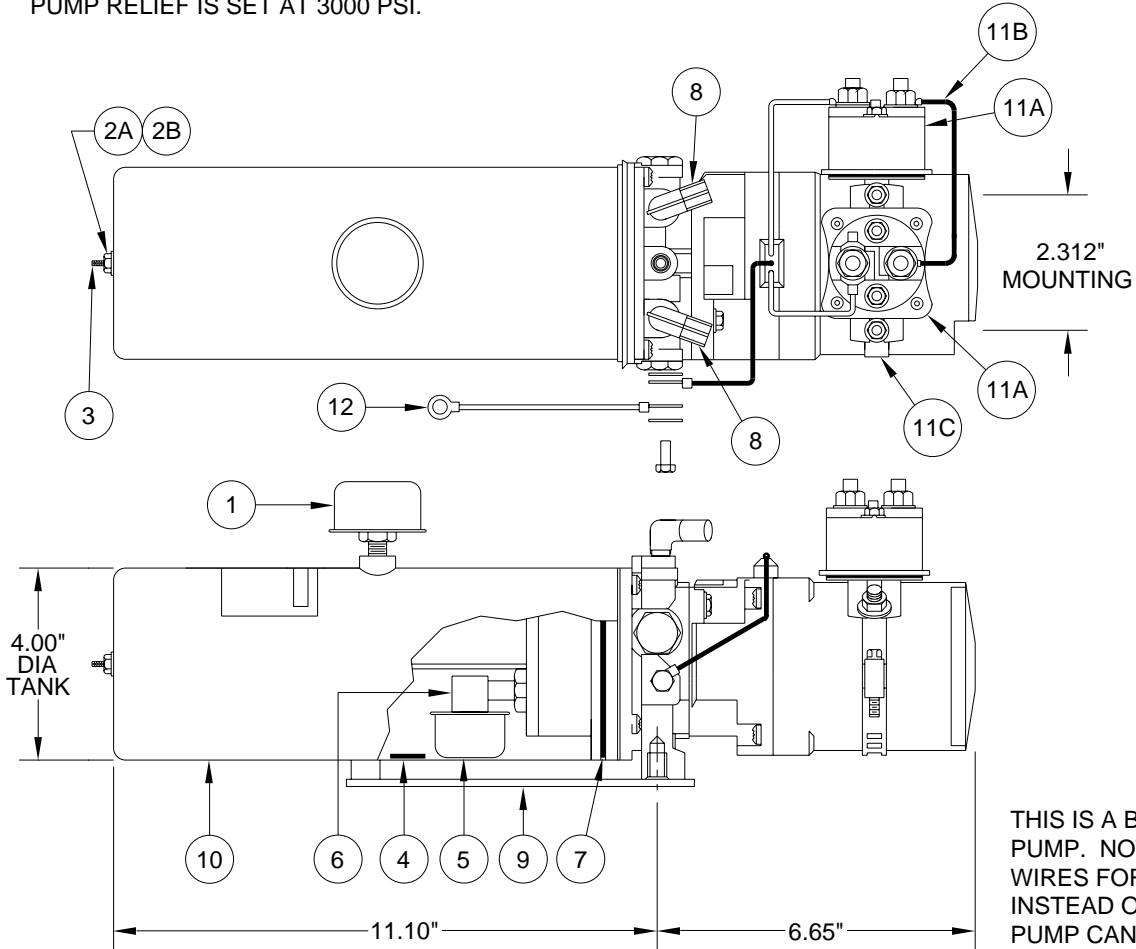


THIS IS A BI-DIRECTIONAL PUMP. NOTE THE THREE WIRES FOR THE MOTOR INSTEAD OF TWO. THIS PUMP CAN NOT BE USED AS A REPLACEMENT FOR ANY OTHER PUMP.

| ITEM | PART | QTY | DESCRIPTION | ITEM | PART | QTY | DESCRIPTION |
|------|----------|-----|--|------|----------|-----|-------------------------------------|
| | RAP90363 | | POWER UNIT/BMO/0.57 COMPLETE AS SHOWN REPLACES AP11101 & AP13609 | 9 | RAP90091 | 1 | RETRACT TUBE KIT |
| | RAP90090 | | PUMP/MOTOR/TANK ONLY | 9A | | 1 | TUBE 3/8" X 18" |
| 1 | RAP7876 | 1 | BREATHER CAP/ DIPSTICK | 9B | | 1 | MALE CONNECTOR 3/8" X 1/8" |
| 2 | RAP7496 | 1 | TANK MTG. KIT | 10 | RAP90092 | 1 | RETRACT VALVE KIT |
| 2A | | 1 | HEX NUT | 10A | | 1 | NEEDLE VALVE |
| 2B | | 1 | WASHER/SEAL | 10B | | 1 | NIPPLE 1/8" |
| 3 | RP7497 | 1 | TANK MTG. ROD | 11 | RF90093 | 1 | 1/8" TEE |
| 4 | RP3526 | 1 | MAGNET | 12 | RF1456 | 1 | MALE CONNECTOR 1/8" X 1/4" |
| 5 | RP7532 | 1 | STRAINER | 13 | RP7533 | 1 | TANK SUPPORT |
| 6 | RP7498 | 1 | ELBOW | 14 | RP7495 | 1 | TANK 0.57 GALLON 10.5" X 4.0" ROUND |
| 7 | RP7499 | 1 | O-RING TANK | 15 | RAP90275 | 1 | GROUND WIRE (PUMP MOTOR GROUND) |
| 8 | RF1453 | 1 | ELBOW 1/8" X 1/4" | 16 | RAP15433 | 1 | RELAY KIT |
| | | | | 16A | RAP35723 | 2 | RELAY INT. DUTY |
| | | | | 16B | | 1 | CABLE |
| | | | | 16C | | 1 | BAND CLAMP |

PUMP/MOTOR/TANK ASSEMBLY AP14195 PARKER/OILDYNE BI-DIRECTIONAL

PUMP RELIEF IS SET AT 3000 PSI.



THIS IS A BI-DIRECTIONAL PUMP. NOTE THE THREE WIRES FOR THE MOTOR INSTEAD OF TWO. THIS PUMP CAN NOT BE USED AS A REPLACEMENT FOR ANY OTHER PUMP.

| ITEM | PART | QTY | DESCRIPTION | ITEM | PART | QTY | DESCRIPTION |
|------|----------|-----|--|------|----------|-----|-------------------------------------|
| | RAP90362 | | POWER UNIT/BMO/0.57 COMPLETE AS SHOWN REPLACES AP14195 | 8 | RF1453 | 2 | ELBOW 1/8" X 1/4" |
| | RAP90090 | | PUMP/MOTOR/TANK ONLY | 9 | RP7533 | 1 | TANK SUPPORT |
| 1 | RAP7876 | 1 | BREATHER CAP/DIPSTICK | 10 | RP7495 | 1 | TANK 0.57 GALLON 10.5" X 4.0" ROUND |
| 2 | RAP7496 | 1 | TANK MTG. KIT | 11 | RAP15433 | 1 | RELAY KIT |
| 2A | | 1 | HEX NUT | 11A | RAP35723 | 2 | RELAY KIT INT. DUTY |
| 2B | | 1 | WASHER/SEAL | 11B | | 1 | CABLE |
| 3 | RP7497 | 1 | TANK MTG. ROD | 11C | | 1 | BAND CLAMP |
| 4 | RP3526 | 1 | MAGNET | 12 | RAP90275 | 1 | GROUND WIRE (PUMP MOTOR GROUND) |
| 5 | RP7532 | 1 | STRAINER | | | | |
| 6 | RP7498 | 1 | ELBOW | | | | |
| 7 | RP7499 | 1 | O-RING TANK | | | | |

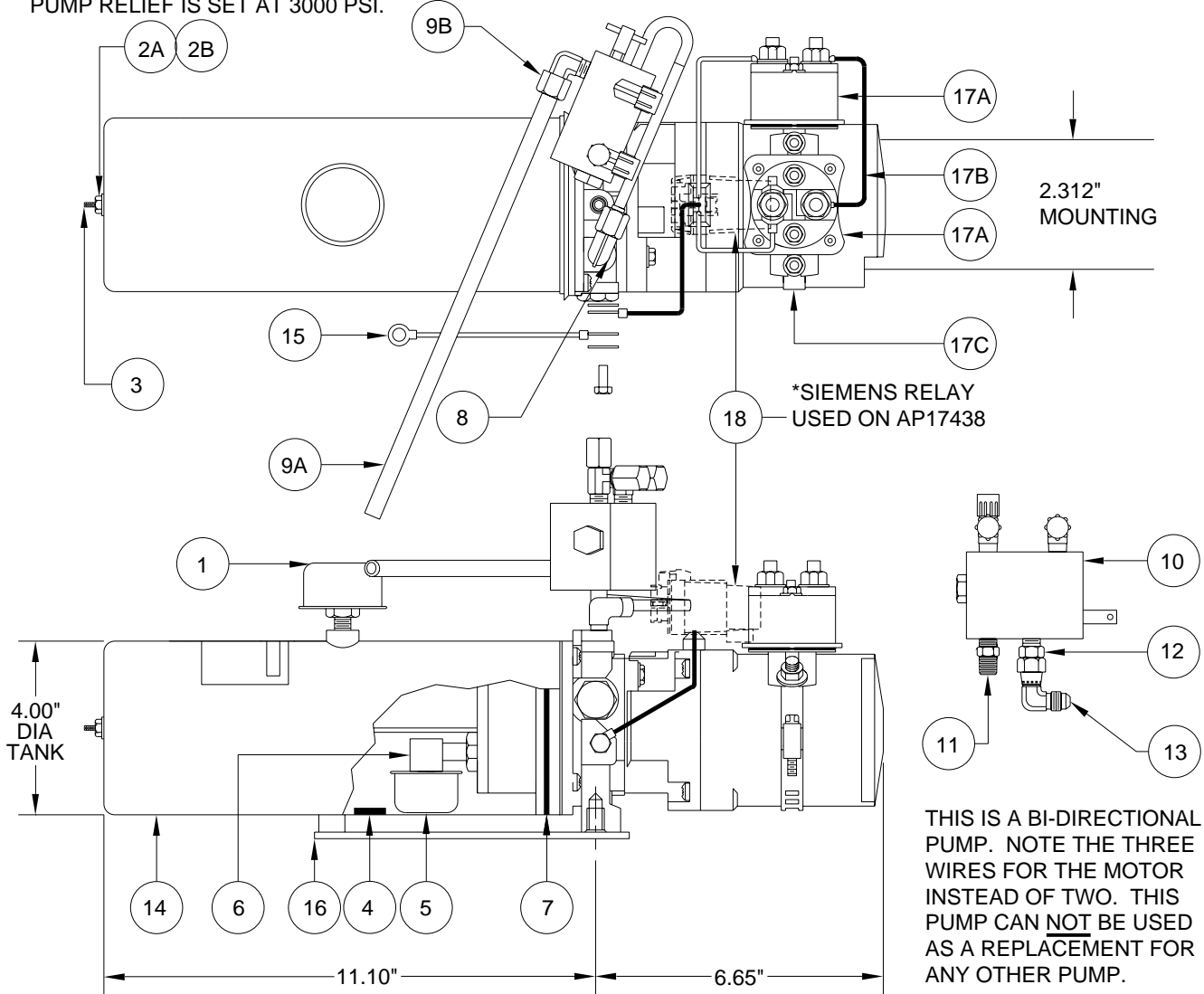
PUMP/MOTOR/TANK ASSEMBLY

AP12319 PARKER/OILDYNE BI-DIRECTIONAL

AP14222 PARKER/OILDYNE BI-DIRECTIONAL

AP17438 PARKER/OILDYNE BI-DIRECTIONAL (WITH SIEMENS RELAY)

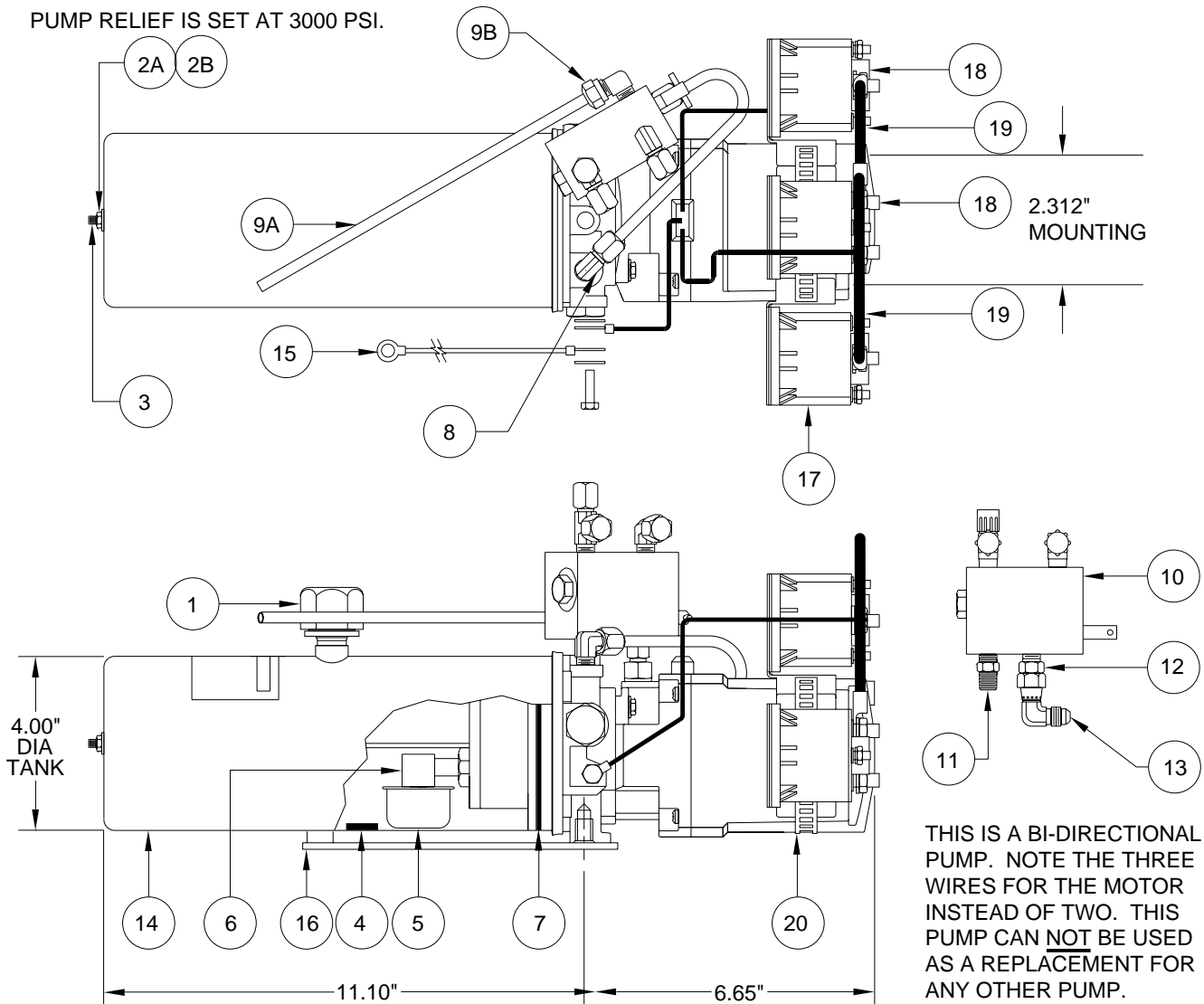
PUMP RELIEF IS SET AT 3000 PSI.



| ITEM | PART | QTY | DESCRIPTION | ITEM | PART | QTY | DESCRIPTION |
|------|----------|-----|---|------|----------|-----|---|
| | RAP90651 | | POWER UNIT/BMO REPLACES AP17438 | 9A | | 1 | TUBE 1/4" X 9" |
| | RAP90364 | | POWER UNIT/BMO/0.57 COMPLETE AS SHOWN REPLACES AP12319 & AP14222 | 9B | | 1 | ELBOW 1/4" X 1/8" |
| | RAP90090 | | PUMP/MOTOR/TANK ONLY | 10 | RAP90376 | 1 | BACK PRESSURE VALVE (DOES NOT CONTAIN 11, 12 OR 13) |
| 1 | RAP7876 | 1 | BREATHER CAP/ DIPSTICK | 11 | RF9315 | 1 | NIPPLE 1/8" |
| 2 | RAP7496 | 1 | TANK MTG. KIT | 12 | RF1456 | 1 | CONNECTOR 1/8" X 1/4" |
| 2A | | 1 | HEX NUT | 13 | RF90010 | 1 | ELBOW SWIVEL 90 DEG. |
| 2B | | 1 | WASHER/SEAL | 14 | RP7495 | 1 | TANK 0.57 GALLON 10.5" X 4.0" ROUND |
| 3 | RP7497 | 1 | TANK MTG. ROD | 15 | RAP90275 | 1 | GROUND WIRE (PUMP MOTOR GROUND) |
| 4 | RP3526 | 1 | MAGNET | 16 | RP7533 | 1 | TANK SUPPORT |
| 5 | RP7532 | 1 | STRAINER | 17 | RAP15433 | 1 | RELAY KIT |
| 6 | RP7498 | 1 | ELBOW | 17A | RAP35723 | 2 | RELAY INT. DUTY |
| 7 | RP7499 | 1 | O-RING TANK | 17B | | 1 | CABLE |
| 8 | RF1453 | 1 | ELBOW 1/8" X 1/4" | 17C | | 1 | BAND CLAMP |
| 9 | RAP90373 | 1 | TUBE KIT | 18* | RAP90653 | 1 | SIEMENS RELAY |

PUMP/MOTOR/TANK ASSEMBLY AP28608 PARKER/OILDYNE BI-DIRECTIONAL

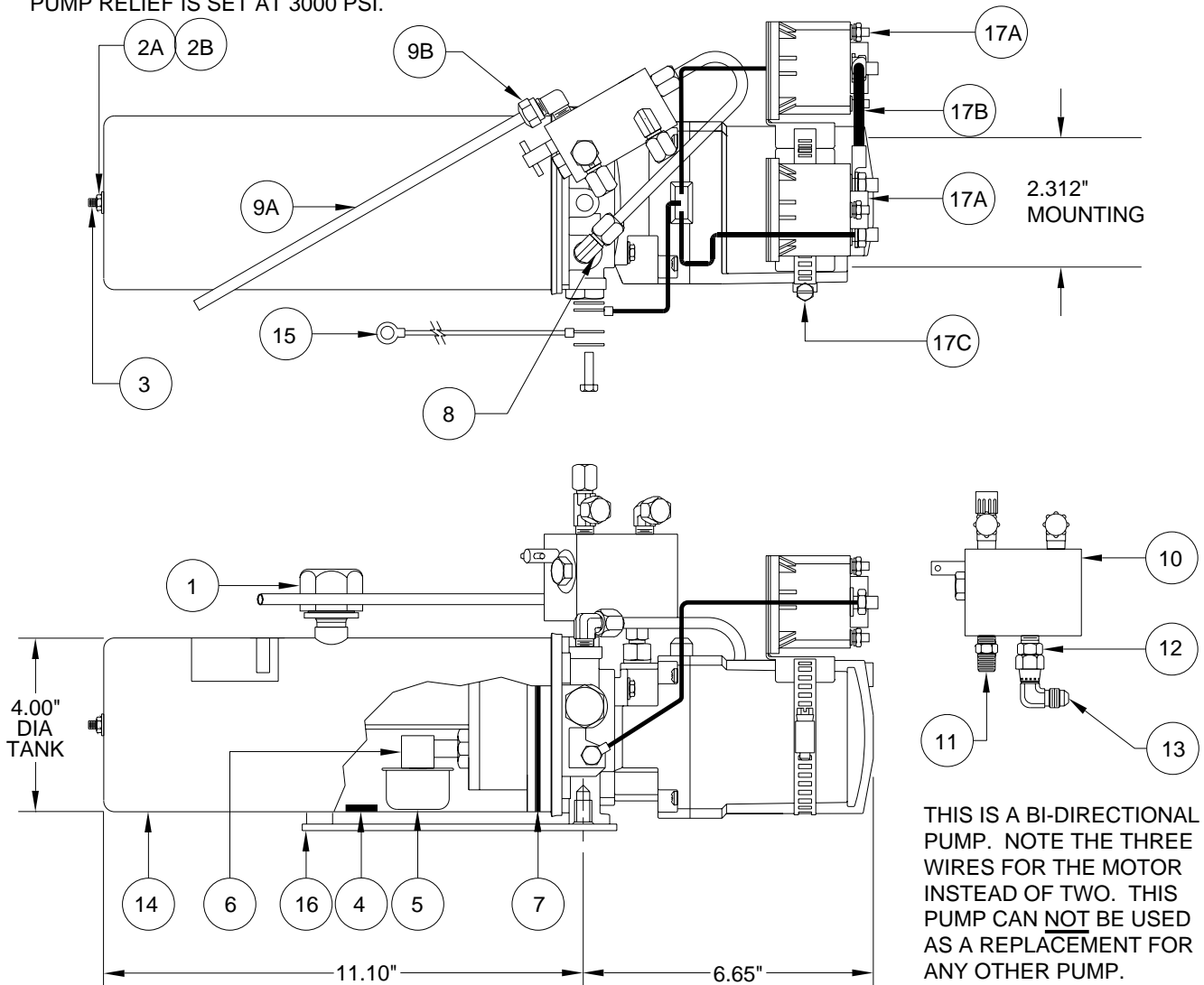
PUMP RELIEF IS SET AT 3000 PSI.



| ITEM | PART | QTY | DESCRIPTION | ITEM | PART | QTY | DESCRIPTION |
|------|----------|-----|------------------------------------|------|----------|-----|---|
| | RAP92199 | | POWER UNIT/BMO REPLACES AP28608 | 9A | | 1 | TUBE 1/4" X 9" |
| | RAP90090 | | PUMP/MOTOR/TANK ONLY | 9B | | 1 | ELBOW 1/4" X 1/8" |
| 1 | RAP7876 | 1 | BREATHER CAP/ DIPSTICK | 10 | RAP90376 | 1 | BACK PRESSURE VALVE (DOES NOT CONTAIN 11, 12 OR 13) |
| 2 | RAP7496 | 1 | TANK MTG. KIT | 11 | RF9315 | 1 | NIPPLE 1/8" |
| 2A | | 1 | HEX NUT | 12 | RF1456 | 1 | CONNECTOR 1/8" X 1/4" |
| 2B | | 1 | WASHER/SEAL | 13 | RF90010 | 1 | ELBOW SWIVEL 90 DEG. |
| 3 | RP7497 | 1 | TANK MTG. ROD | 14 | RP7495 | 1 | TANK 0.57 GALLON 10.5" X 4.0" ROUND |
| 4 | RP3526 | 1 | MAGNET | 15 | RAP90275 | 1 | GROUND WIRE (PUMP MOTOR GROUND) |
| 5 | RP7532 | 1 | STRAINER | 16 | RP7533 | 1 | TANK SUPPORT |
| 6 | RP7498 | 1 | ELBOW | 17 | RAP38933 | 1 | RELAY CONT. DUTY |
| 7 | RP7499 | 1 | O-RING TANK | 18 | RAP35723 | 1 | RELAY INT. DUTY |
| 8 | RF1453 | 1 | ELBOW 1/8" X 1/4" | 19 | RAP7112 | 1 | CABLE |
| 9 | RAP90373 | 1 | TUBE KIT | 20 | RP92200 | 1 | BAND CLAMP |

PUMP/MOTOR/TANK ASSEMBLY AP35312 PARKER/OILDYNE BI-DIRECTIONAL

PUMP RELIEF IS SET AT 3000 PSI.

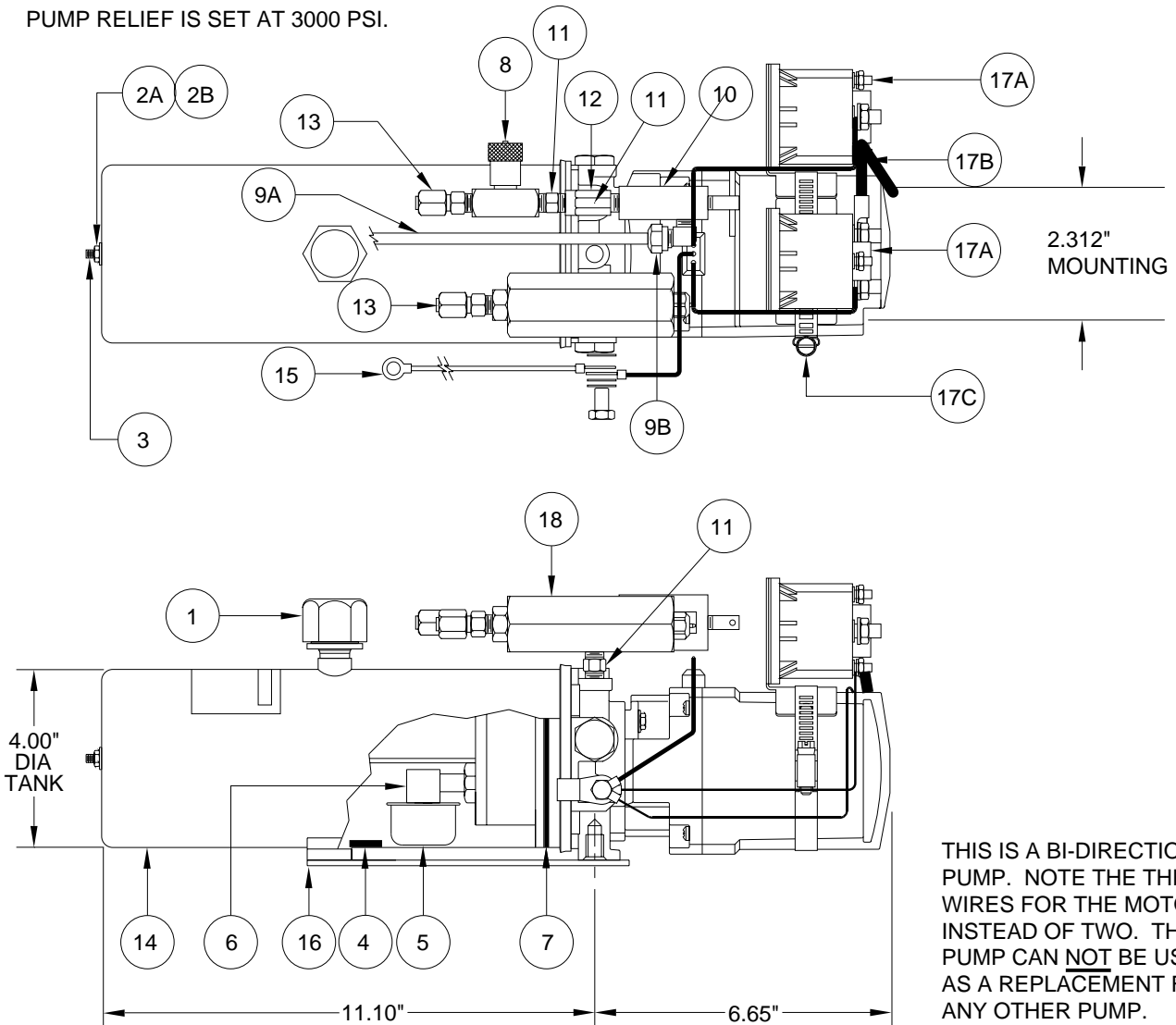


THIS IS A BI-DIRECTIONAL PUMP. NOTE THE THREE WIRES FOR THE MOTOR INSTEAD OF TWO. THIS PUMP CAN NOT BE USED AS A REPLACEMENT FOR ANY OTHER PUMP.

| ITEM | PART | QTY | DESCRIPTION | ITEM | PART | QTY | DESCRIPTION |
|------|----------|-----|------------------------------------|------|----------|-----|---|
| | RAP92201 | | POWER UNIT/BMO REPLACES AP35312 | 9A | | 1 | TUBE 1/4" X 9" |
| | RAP90090 | | PUMP/MOTOR/TANK ONLY | 9B | | 1 | ELBOW 1/4" X 1/8" |
| 1 | RAP7876 | 1 | BREATHER CAP/ DIPSTICK | 10 | RAP92202 | 1 | BACK PRESSURE VALVE (DOES NOT CONTAIN 11, 12 OR 13) |
| 2 | RAP7496 | 1 | TANK MTG. KIT | 11 | RF9315 | 1 | NIPPLE 1/8" |
| 2A | | 1 | HEX NUT | 12 | RF1456 | 1 | CONNECTOR 1/8" X 1/4" |
| 2B | | 1 | WASHER/SEAL | 13 | RF90010 | 1 | ELBOW SWIVEL 90 DEG. |
| 3 | RP7497 | 1 | TANK MTG. ROD | 14 | RP7495 | 1 | TANK 0.57 GALLON 10.5" X 4.0" ROUND |
| 4 | RP3526 | 1 | MAGNET | 15 | RAP90275 | 1 | GROUND WIRE (PUMP MOTOR GROUND) |
| 5 | RP7532 | 1 | STRAINER | 16 | RP7533 | 1 | TANK SUPPORT |
| 6 | RP7498 | 1 | ELBOW | 17 | RAP15433 | 1 | RELAY KIT |
| 7 | RP7499 | 1 | O-RING TANK | 17A | RAP35723 | 2 | RELAY INT. DUTY |
| 8 | RF1453 | 1 | ELBOW 1/8" X 1/4" | 17B | | 1 | CABLE |
| 9 | RAP90373 | 1 | TUBE KIT | 17C | | 1 | BAND CLAMP |

PUMP/MOTOR/TANK ASSEMBLY AP45497 PARKER/OILDYNE BI-DIRECTIONAL

PUMP RELIEF IS SET AT 3000 PSI.

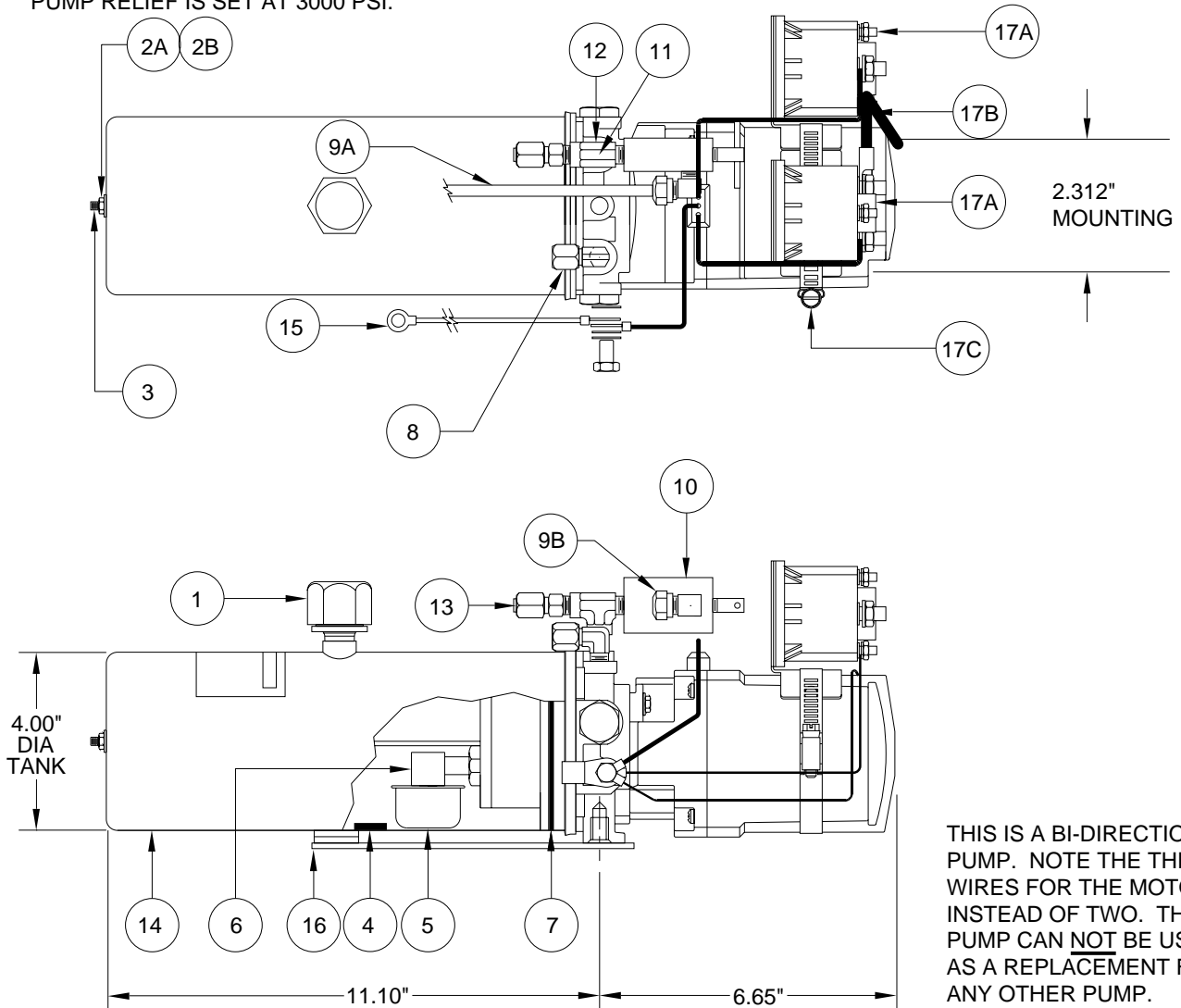


| ITEM | PART | QTY | DESCRIPTION | ITEM | PART | QTY | DESCRIPTION |
|------|----------|-----|---|------|----------|-----|---|
| | RAP93100 | | POWER UNIT/BMO REPLACES AP45497 | 10 | RAP93102 | 1 | DRAIN VALVE (DOES NOT CONTAIN ITEM 9B AND 12) |
| | RAP90090 | | PUMP/MOTOR/TANK ONLY | 11 | RF9315 | 3 | NIPPLE 1/8" |
| 1 | RAP7876 | 1 | BREATHER CAP/ DIPSTICK | 12 | RF90093 | 1 | STREET TEE 1/8" |
| 2 | RAP7496 | 1 | TANK MTG. KIT | 13 | RF1456 | 2 | MALE CONNECTOR 1/8" |
| 2A | | 1 | HEX NUT | 14 | RP7495 | 1 | TANK 0.57 GALLON 10.5" X 4.0" ROUND |
| 2B | | 1 | WASHER/SEAL | 15 | RAP90275 | 1 | GROUND WIRE (PUMP MOTOR GROUND) |
| 3 | RP7497 | 1 | TANK MTG. ROD | 16 | RP7533 | 1 | TANK SUPPORT |
| 4 | RP3526 | 1 | MAGNET | 17 | RAP15433 | 1 | RELAY KIT |
| 5 | RP7532 | 1 | STRAINER | 17A | RAP35723 | 2 | RELAY INT. DUTY |
| 6 | RP7498 | 1 | ELBOW | 17B | | 1 | CABLE |
| 7 | RP7499 | 1 | O-RING TANK | 17C | | 1 | BAND CLAMP |
| 8 | RAP90092 | 1 | RETRACT VALVE KIT (INCLUDES ITEM 11) | 18 | RAP93103 | 1 | RELIEF VALVE (INCLUDES ITEM 11) |
| 9 | RAP90373 | 1 | TUBE KIT | | | | |
| 9A | | 1 | TUBE 1/4" X 9" | | | | |
| 9B | | 1 | ELBOW 1/4" X 1/8" | | | | |

**MR30.6427
28JAN15**

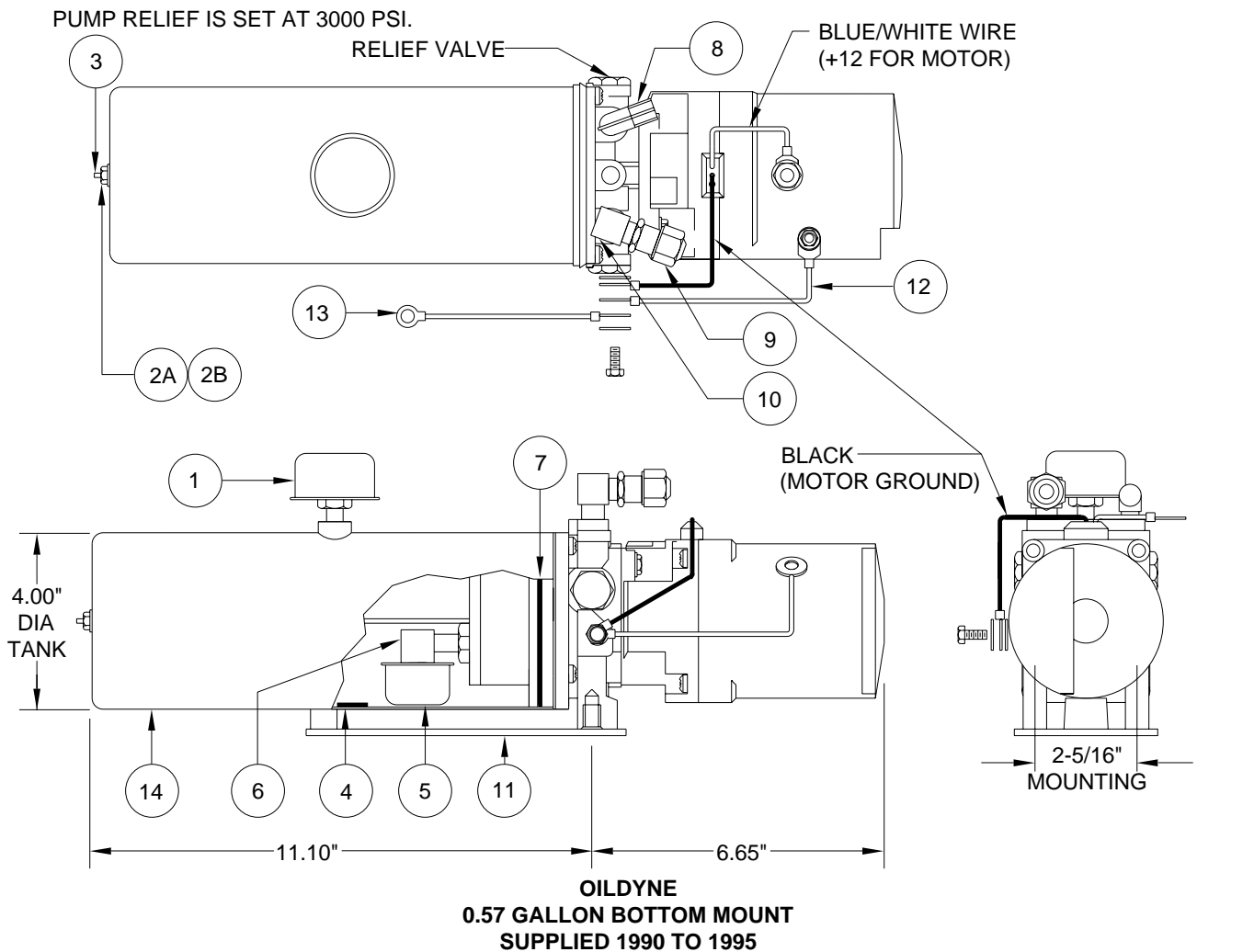
PUMP/MOTOR/TANK ASSEMBLY AP46166 PARKER/OILDYNE BI-DIRECTIONAL

PUMP RELIEF IS SET AT 3000 PSI.



| ITEM | PART | QTY | DESCRIPTION | ITEM | PART | QTY | DESCRIPTION |
|------|----------|-----|------------------------------------|------|----------|-----|---|
| | RAP93101 | | POWER UNIT/BMO REPLACES AP46166 | 9A | | 1 | TUBE 1/4" X 9" |
| | RAP90090 | | PUMP/MOTOR/TANK ONLY | 9B | | 1 | ELBOW 1/4" X 1/8" |
| 1 | RAP7876 | 1 | BREATHER CAP/ DIPSTICK | 10 | RAP93102 | 1 | DRAIN VALVE (DOES NOT CONTAIN ITEM 9B AND 12) |
| 2 | RAP7496 | 1 | TANK MTG. KIT | 11 | RF9315 | 1 | NIPPLE 1/8" |
| 2A | | 1 | HEX NUT | 12 | RF90093 | 1 | STREET TEE 1/8" |
| 2B | | 1 | WASHER/SEAL | 13 | RF1456 | 1 | MALE CONNECTOR 1/8" |
| 3 | RP7497 | 1 | TANK MTG. ROD | 14 | RP7495 | 1 | TANK 0.57 GALLON 10.5" X 4.0" ROUND |
| 4 | RP3526 | 1 | MAGNET | 15 | RAP90275 | 1 | GROUND WIRE (PUMP MOTOR GROUND) |
| 5 | RP7532 | 1 | STRAINER | 16 | RP7533 | 1 | TANK SUPPORT |
| 6 | RP7498 | 1 | ELBOW | 17 | RAP15433 | 1 | RELAY KIT |
| 7 | RP7499 | 1 | O-RING TANK | 17A | RAP35723 | 2 | RELAY INT. DUTY |
| 8 | RF1453 | 1 | ELBOW 1/8" X 1/4" | 17B | | 1 | CABLE |
| 9 | RAP90373 | 1 | TUBE KIT | 17C | | 1 | BAND CLAMP |

PUMP/MOTOR/TANK ASSEMBLY AP7136 PARKER/OILDYNE - OBSOLETE



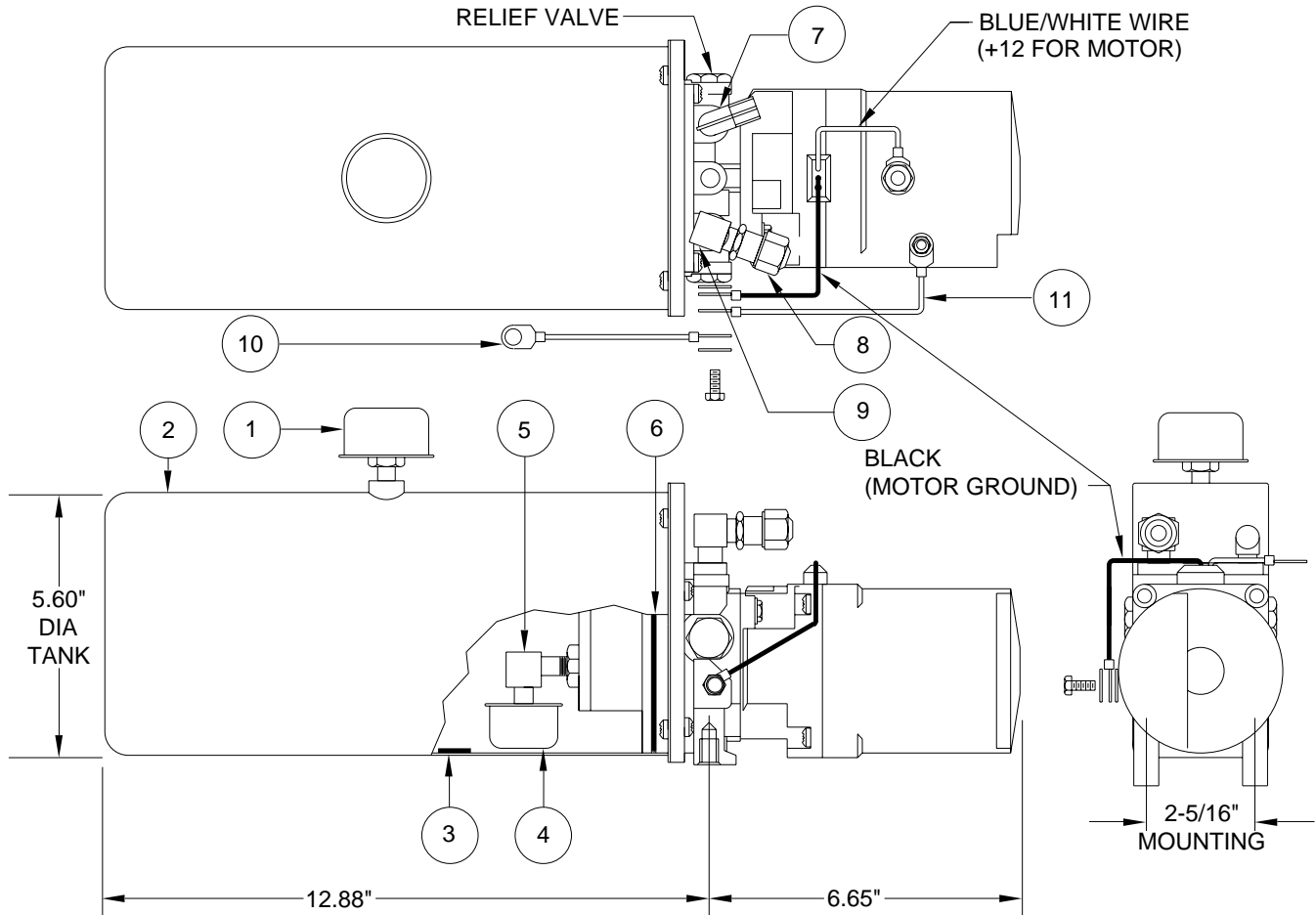
| ITEM | PART | QTY | DESCRIPTION | ITEM | PART | QTY | DESCRIPTION |
|------|---------|------------|------------------------------|------|---------|-----|--|
| | AP7136 | OBS | POWER UNIT/ BMO/ 0.57 GALLON | 8 | RF1453 | 1 | ELBOW 1/8" X 1/4" |
| 1 | RAP7876 | 1 | BREATHER CAP/ DIPSTICK | 9 | RF1458 | 1 | MALE CONNECTOR 1/2" X 1/4" |
| 2 | RAP7496 | 1 | TANK MTG. KIT | 10 | RF3340 | 1 | BRASS ELBOW 1/4" X 1/4" |
| 2A | | 1 | HEX NUT | 11 | RP7533 | 1 | TANK SUPPORT |
| 2B | | 1 | WASHER/SEAL | 12 | RAP7355 | 1 | GROUND WIRE 7" (RELAY GROUND - NOT SUPPLIED WITH REPLACEMENT PUMP.) |
| 3 | RP7497 | 1 | TANK MTG. ROD | 13 | RAP7356 | 1 | GROUND WIRE 10" (PUMP MOTOR GROUND) |
| 4 | RP3526 | 1 | MAGNET | 14 | RP7495 | 1 | TANK .57 GALLON 10.5" x 4.0" ROUND |
| 5 | RP7532 | 1 | STRAINER | | | | |
| 6 | RP7498 | 1 | ELBOW | | | | |
| 7 | RP7499 | 1 | O-RING TANK | | | | |

NOTE : SOME EARLIER MODELS HAVE A 9.00" LONG TANK WHICH IS NO LONGER AVAILABLE.

**MR30.6435
14JAN08**

PUMP/MOTOR/TANK ASSEMBLY AP0011 PARKER/OILDYNE - OBSOLETE

PUMP RELIEF IS SET AT 3000 PSI.



**OILDYNE
1.0 GALLON BOTTOM MOUNT
SUPPLIED 1992 TO 1995**

| ITEM | PART | QTY | DESCRIPTION | ITEM | PART | QTY | DESCRIPTION |
|------|---------|------------|---------------------------------------|------|---------|-----|---|
| | RAP0011 | OBS | POWER UNIT BMO/1.0 GALLON | 7 | RF1453 | 1 | ELBOW 1/8" X 1/4" |
| 1 | RAP7876 | 1 | BREATHER CAP/ DIPSTICK | 8 | RF1458 | 1 | MALE CONNECTOR 1/2" X 1/4" |
| 2 | RP0635 | 1 | TANK 1.0 GALLON 12.0" X 5.6" ROUND | 9 | RF3340 | 1 | BRASS ELBOW 1/4" X 1/4" |
| 3 | RP3526 | 1 | MAGNET | 10 | RAP7356 | | GROUND WIRE 10" (PUMP MOTOR GROUND) |
| 4 | RP7532 | 1 | STRAINER | 11 | RAP7355 | | GROUND WIRE 7" (RELAY GROUND) (NOT SUPPLIED WITH REPLACEMENT PUMP) |
| 5 | RP7498 | 1 | ELBOW | | | | |
| 6 | RP90382 | 1 | O-RING TANK | | | | |

NOTE: ITEMS 7 & 9 CAN BE REPLACED BY SEPARATING END HEAD AND RESERVOIR FROM MOTOR.

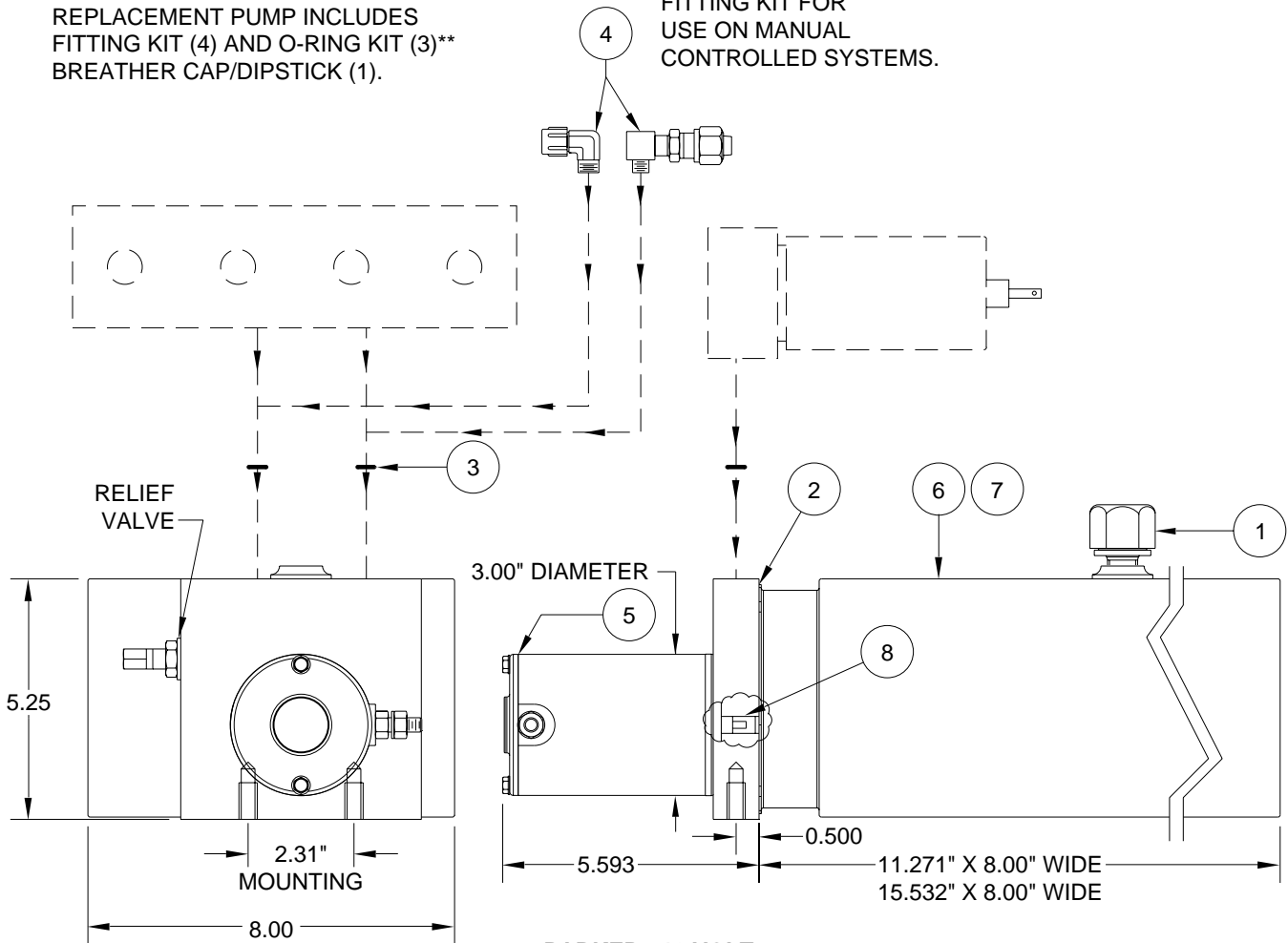
PUMP/MOTOR/TANK ASSEMBLY

AP29807/AP29808 PARKER

PUMP RELIEF IS SET AT 3500 PSI.

REPLACEMENT PUMP INCLUDES FITTING KIT (4) AND O-RING KIT (3)** BREATHER CAP/DIPSTICK (1).

FITTING KIT FOR USE ON MANUAL CONTROLLED SYSTEMS.



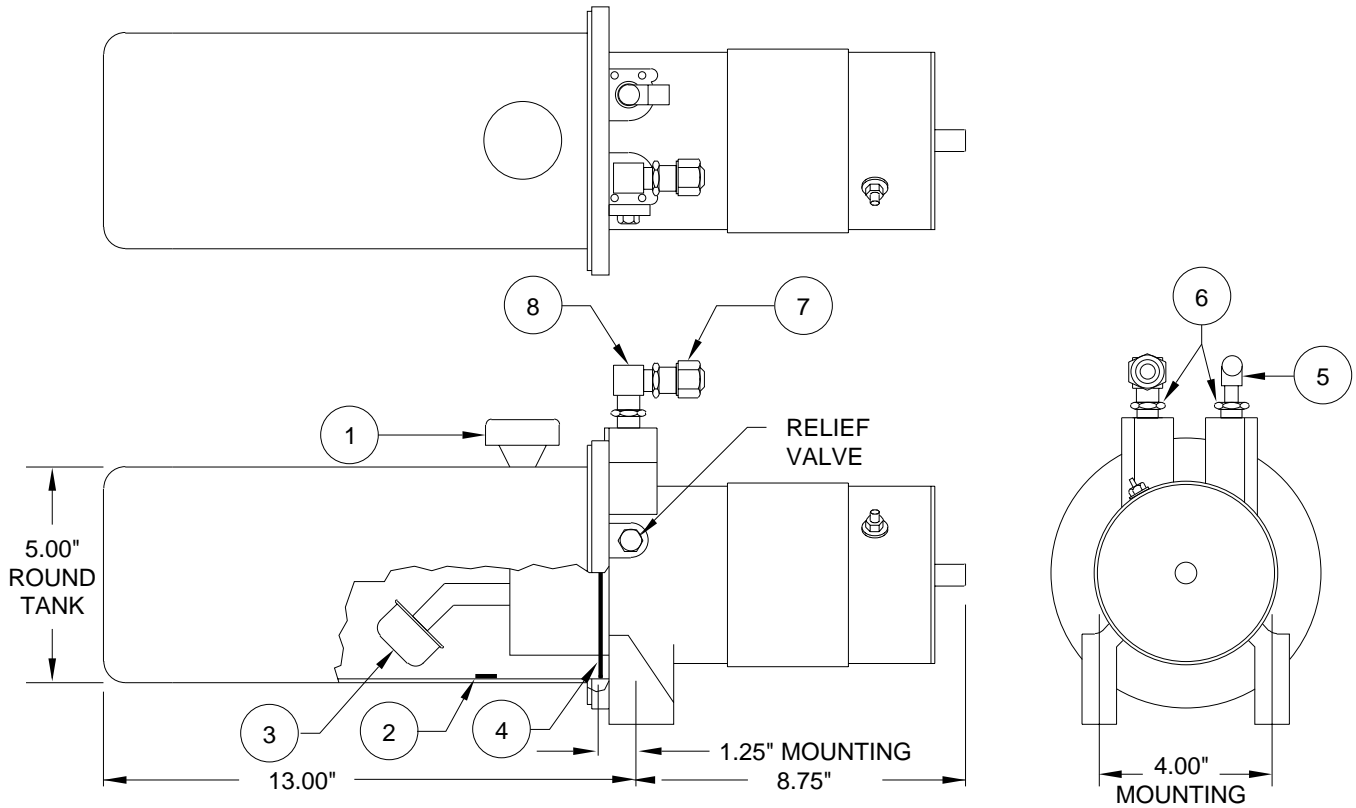
**PARKER - 12 VOLT
3.00" MOTOR
SUPPLIED 2003 TO 2010**

| ITEM | PART | QTY | DESCRIPTION | ITEM | PART | QTY | DESCRIPTION |
|------|---------|------------|---------------------------------------|------|----------|-----|---|
| | AP29807 | OBS | POWER UNIT/BMP/1.5 GALLON 3.00" MOTOR | 3 | **R92957 | 1 | O-RING KIT |
| | AP29808 | OBS | POWER UNIT/BMP/2.0 GALLON 3.00" MOTOR | 4 | RAP0586 | 1 | FITTING KIT |
| 1 | RAP7876 | 1 | BREATHER CAP/ DIPSTICK | 5 | RAP91244 | | MOTOR KIT 3.00" |
| 2 | RP91691 | 1 | O-RING TANK | 6 | RP91689 | 1 | TANK 1.5 GALLON 11.27" X 5.25" X 8.00" |
| | | | | 7 | RP91690 | 1 | TANK 2.0 GALLON 15.53" X 5.25" X 8.00" |
| | | | | 8 | RP93632 | 1 | COUPLING |

NOTE : THIS POWER UNIT IS NO LONGER AVAILABLE. SOME PARTS FOR REBUILDING THESE PUMPS MAY BE AVAILABLE. SEE THE REPLACEMENT INFORMATION PAGE FOR REPLACEMENT PUMP.

**R92957 O-RING KIT INCLUDES (8) O2-015-9N O-RINGS FOR 11/16" SPOT FACE ON MANIFOLD

PUMP/MOTOR/TANK ASSEMBLY AP3349 WEBSTER - OBSOLETE



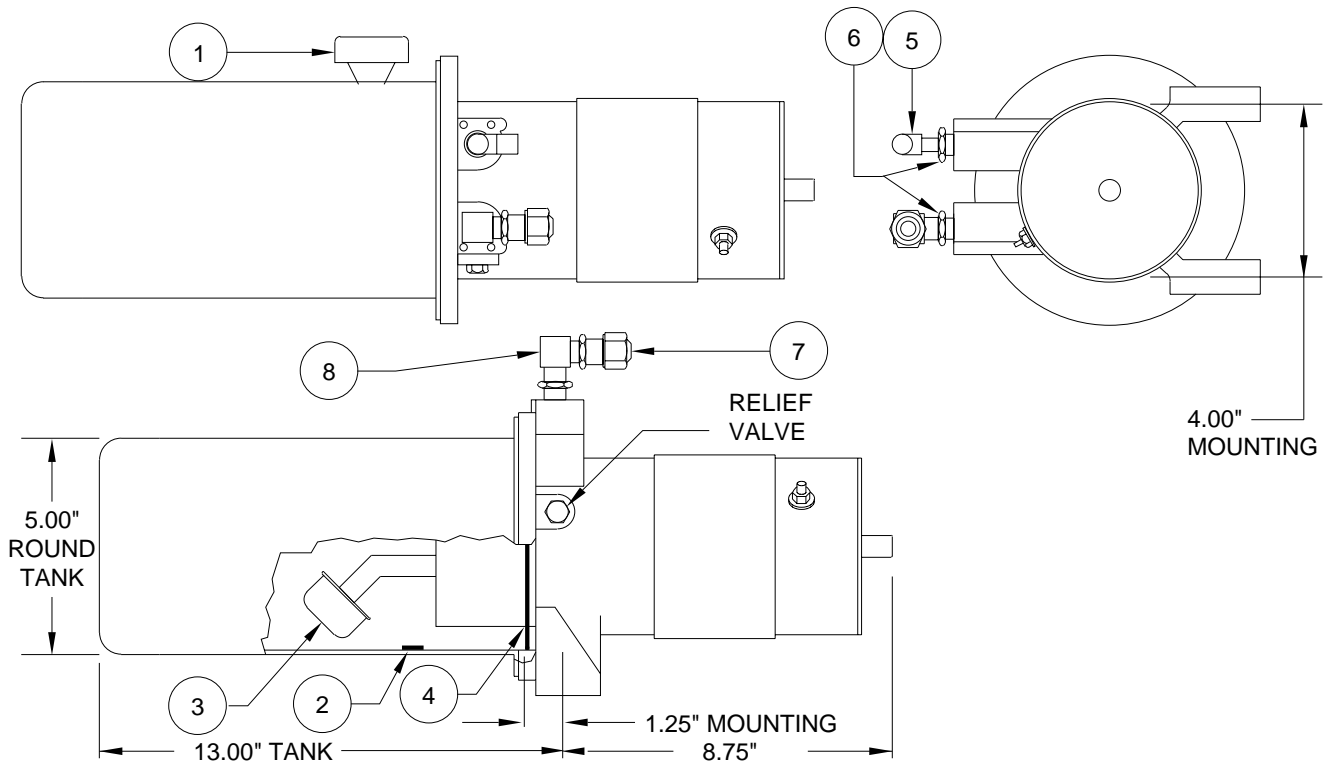
**WEBSTER
1.0 GALLON BOTTOM MOUNT
SUPPLIED 1981 TO 1983**

| ITEM | PART | QTY | DESCRIPTION | ITEM | PART | QTY | DESCRIPTION |
|------|---------|------------|---------------------------|------|--------|-----|-------------------------------|
| | AP3349 | OBS | POWER UNIT/BMW/1.0 GALLON | 5 | RF1514 | 1 | ELBOW 1/4" X 1/4" |
| 1 | RAP7876 | 1 | BREATHER CAP/ DIPSTICK | 6 | RF2912 | 2 | REDUCER 3/8" X 1/4" |
| 2 | RP3526 | 1 | MAGNET | 7 | RF1458 | 1 | MALE CONNECTOR 1/2" X 1/4" |
| 3 | RP3388 | 1 | STRAINER | 8 | RF3340 | 1 | BRASS ELBOW 1/4" X 1/4" |
| 4 | RP3389 | 1 | O-RING TANK | | | | |

NOTE : THIS POWER UNIT IS NO LONGER AVAILABLE. SOME PARTS FOR REBUILDING THESE PUMPS MAY BE AVAILABLE. SEE THE REPLACEMENT INFORMATION PAGE FOR REPLACEMENT PUMP.

**MR30.9950
28APR98**

PUMP/MOTOR/TANK ASSEMBLY AP3348 WEBSTER - OBSOLETE



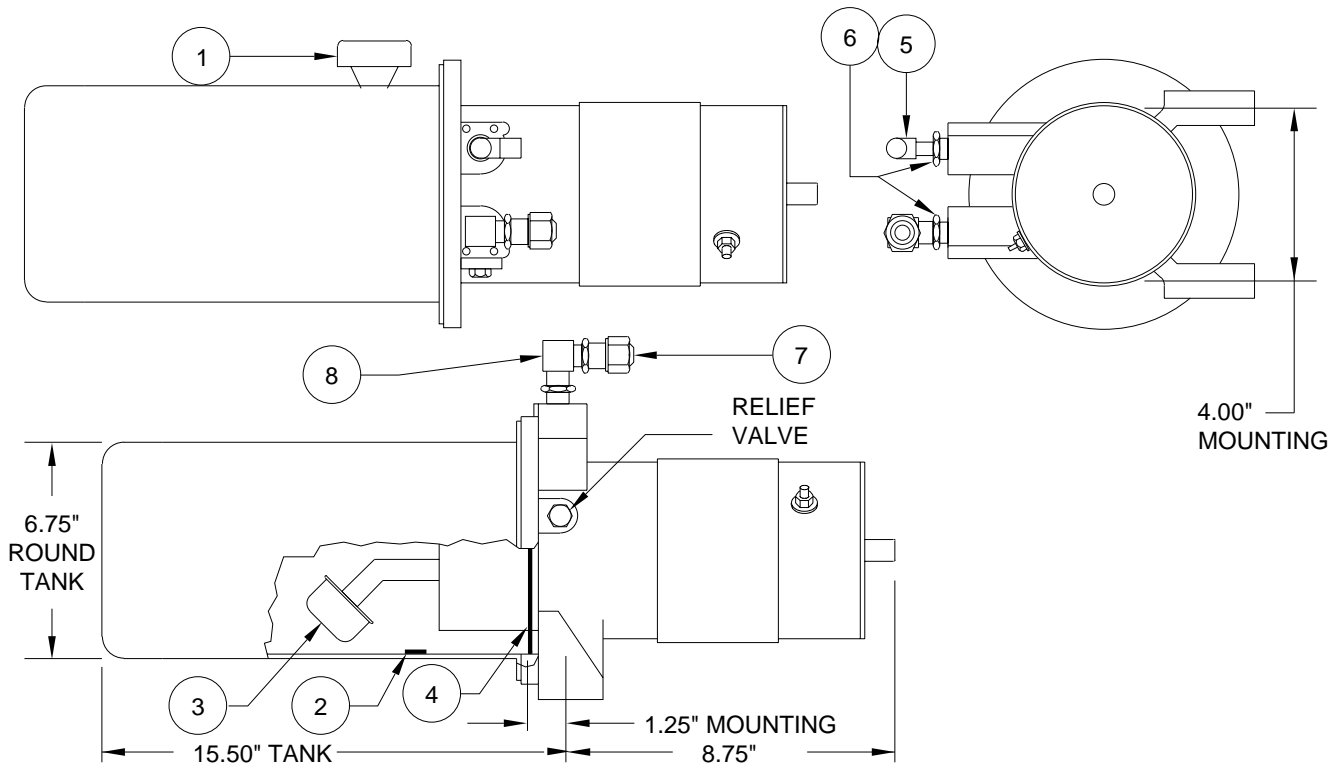
WEBSTER 1.0 GALLON SIDE MOUNT SUPPLIED 1981 TO 1983

| ITEM | PART | QTY | DESCRIPTION | ITEM | PART | QTY | DESCRIPTION |
|------|---------|------------|---------------------------|------|--------|-----|-------------------------------|
| | AP3348 | OBS | POWER UNIT/SMW/1.0 GALLON | 5 | RF1514 | 1 | ELBOW 1/4" X 1/4" |
| 1 | RAP7876 | 1 | BREATHER CAP/ DIPSTICK | 6 | RF2912 | 2 | REDUCER 3/8" X 1/4" |
| 2 | RP3526 | 1 | MAGNET | 7 | RF1458 | 1 | MALE CONNECTOR 1/2" X 1/4" |
| 3 | RP3388 | 1 | STRAINER | 8 | RF3340 | 1 | BRASS ELBOW 1/4" X 1/4" |
| 4 | RP3389 | 1 | O-RING TANK | | | | |

NOTE : THIS POWER UNIT IS NO LONGER AVAILABLE. SOME PARTS FOR REBUILDING THESE PUMPS MAY BE AVAILABLE. SEE THE REPLACEMENT INFORMATION PAGE FOR REPLACEMENT PUMP.

**MR30.9955
28APR98**

PUMP/MOTOR/TANK ASSEMBLY WEBSTER - OBSOLETE



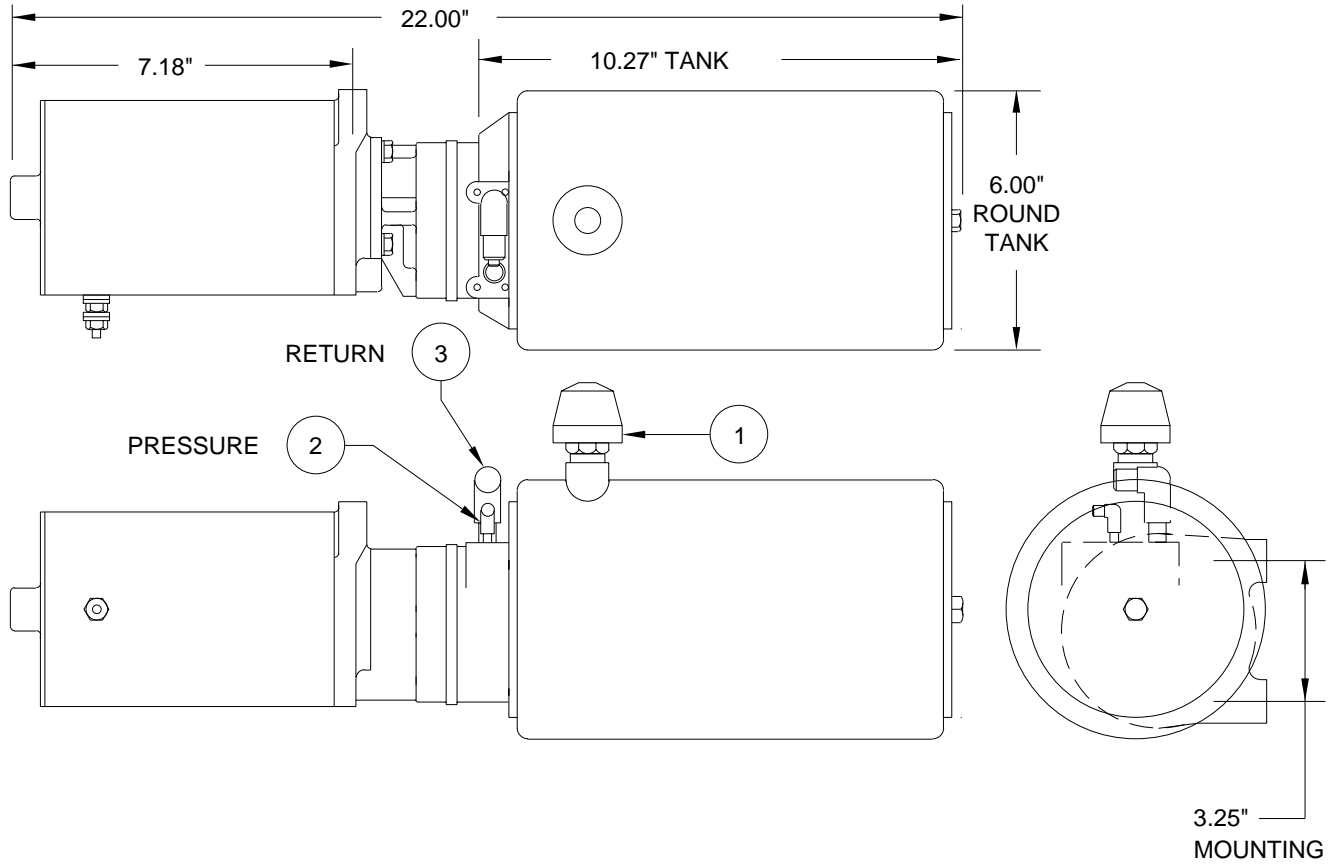
**WEBSTER
2.0 GALLON SIDE MOUNT
SUPPLIED 1981 TO 1983**

| ITEM | PART | QTY | DESCRIPTION | ITEM | PART | QTY | DESCRIPTION |
|------|---------|------------|---------------------------|------|--------|-----|-------------------------------|
| | | OBS | POWER UNIT/SMW/2.0 GALLON | 5 | RF1514 | 1 | ELBOW 1/4" X 1/4" |
| 1 | RAP7876 | 1 | BREATHER CAP/ DIPSTICK | 6 | RF2912 | 2 | REDUCER 3/8" X 1/4" |
| 3 | RP3526 | 1 | MAGNET | 7 | RF1458 | 1 | MALE CONNECTOR 1/2" X 1/4" |
| 2 | RP3388 | 1 | STRAINER | 8 | RF3340 | 1 | BRASS ELBOW 1/4" X 1/4" |
| 4 | RP3389 | 1 | O-RING TANK | | | | |

NOTE : THIS POWER UNIT IS NO LONGER AVAILABLE.
SOME PARTS FOR REBUILDING THESE PUMPS
MAY BE AVAILABLE. SEE THE REPLACEMENT
INFORMATION PAGE FOR REPLACEMENT PUMP.

**MR30.9960
28APR98**

PUMP/MOTOR/TANK ASSEMBLY AP1321 PARKER - OBSOLETE



| ITEM | PART | QTY | DESCRIPTION | ITEM | PART | QTY | DESCRIPTION |
|------|---------|------------|---------------------------|------|--------|-----|----------------------|
| | AP1321 | OBS | POWER UNIT/SMP/1.0 GALLON | 2 | RF1453 | 1 | ELBOW 1/8" X 1/4" |
| 1 | RAP7876 | 1 | BREATHER CAP/ DIPSTICK | 3 | RF1511 | 1 | ELBOW 1/8" X 1/4" |

NOTE : PARKER POWER UNIT NOT AVAILABLE.
USED ONLY ON SYSTEMS WITH 4-LEVER CONTROL VALVES.
REPAIR PARTS NOT AVAILABLE. SEE THE REPLACEMENT
INFORMATION PAGE FOR REPLACEMENT PUMP.