

bi[®]
BRENNAN Industries
The Logical Choice For Critical Flow Components[®]



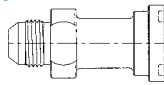
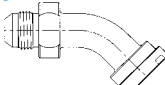

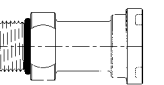
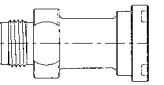
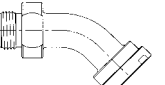
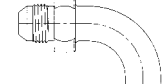
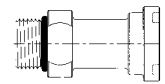
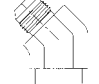
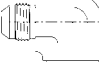
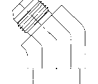
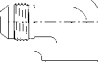
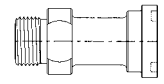
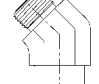
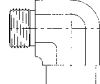
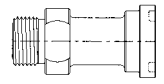
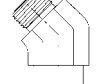
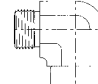
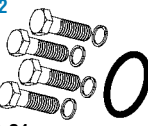


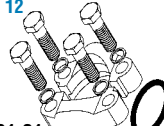

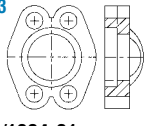
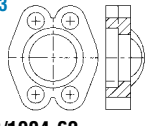
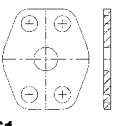
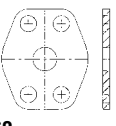
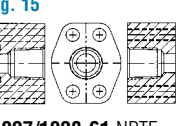
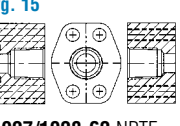
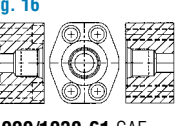
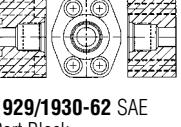
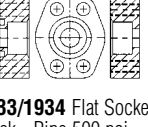
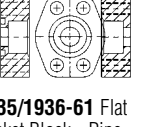
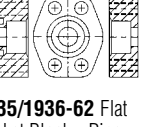
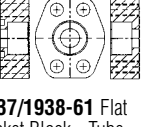
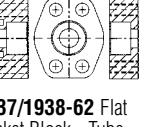
***Hydraulic
Flanges &
Accessories***

Hydraulic Flanges/Accessories

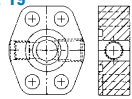
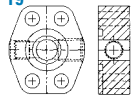
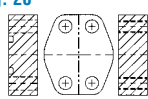
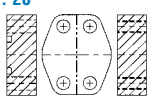
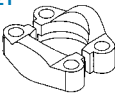
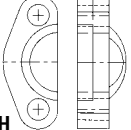
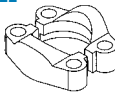
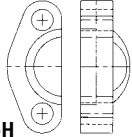
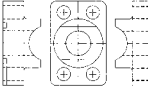
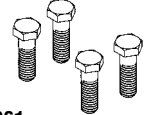
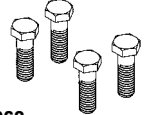


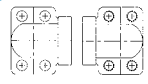
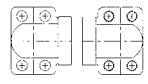
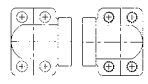
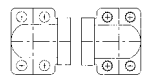
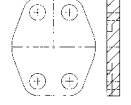
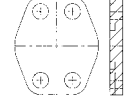
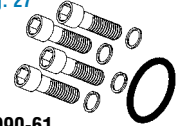


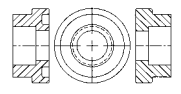
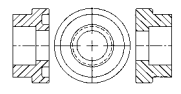
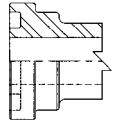
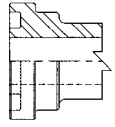
Available in both forged and one-piece swept configurations, Brennan Industries now manufactures a full line of flange adapters for use with Brennan's expanded split and 4-bolt flange product line.

Made to endure extremely high working pressures and tensile strength, Brennan flange adapters are designed to perform in a variety of clearance applications.

Brennan flange adapters are available in connection sizes ranging from 1/2" to 4".

<p>Pg. 3</p>  <p>1700 MJ-Flange Straight Code 61</p>	<p>Pg. 3</p>  <p>1703 MJ-Flange 45° Code 61</p>	<p>Pg. 4</p>  <p>1704 MJ-Flange 90° Code 61</p>	<p>Pg. 4</p>  <p>1710 MB-Flange Straight Code 61</p>	<p>Pg. 5</p>  <p>1800 MJ-Flange Straight Code 62</p>	<p>Pg. 5</p>  <p>1803 MJ-Flange 45° Code 62</p>
<p>Pg. 6</p>  <p>1804 MJ-Flange 90° Code 62</p>	<p>Pg. 6</p>  <p>1810 MB-Flange Straight Code 62</p>	<p>Pg. 7</p>  <p>1703FG MJ-Flange 45° Code 61</p>	<p>Pg. 7</p>  <p>1704FG MJ-Flange 90° Code 61</p>	<p>Pg. 8</p>  <p>1803FG MJ-Flange 45° Code 62</p>	<p>Pg. 8</p>  <p>1804FG MJ-Flange 90° Code 62</p>
<p>Pg. 9</p>  <p>FS1700 MFS-Flange Straight Code 61</p>	<p>Pg. 9</p>  <p>FS1703FG MFS-Flange 45° Code 61</p>	<p>Pg. 10</p>  <p>FS1704FG MFS-Flange 90° Code 61</p>	<p>Pg. 10</p>  <p>FS1800 MFS-Flange Straight Code 62</p>	<p>Pg. 11</p>  <p>FS1803FG MFS-Flange 45° Code 62</p>	<p>Pg. 11</p>  <p>FS1804FG MFS-Flange 90° Code 62</p>
<p>Pg. 12</p>  <p>1900-61 Hex Head Mounting Kit</p>	<p>Pg. 12</p>  <p>1900-62 Hex Head Mounting Kit</p>	<p>Pg. 12</p>  <p>1900-M Hex Head Mounting Kit Metric</p>	<p>Pg. 12</p>  <p>1901-61 Split Flange Kit</p>	<p>Pg. 12</p>  <p>1902-62 Split Flange Kit</p>	<p>Pg. 13</p>  <p>1903/1904-61 Captive Flange</p>
<p>Pg. 13</p>  <p>1903/1904-62 Captive Flange</p>	<p>Pg. 14</p>  <p>1914-61 Connector Plate</p>	<p>Pg. 14</p>  <p>1914-62 Connector Plate</p>	<p>Pg. 15</p>  <p>1927/1928-61 NPTF Port Block</p>	<p>Pg. 15</p>  <p>1927/1928-62 NPTF Port Block</p>	<p>Pg. 16</p>  <p>1929/1930-61 SAE Port Block</p>
<p>Pg. 16</p>  <p>1929/1930-62 SAE Port Block</p>	<p>Pg. 17</p>  <p>1933/1934 Flat Socket Block - Pipe 500 psi</p>	<p>Pg. 17</p>  <p>1935/1936-61 Flat Socket Block - Pipe</p>	<p>Pg. 17</p>  <p>1935/1936-62 Flat Socket Block - Pipe</p>	<p>Pg. 18</p>  <p>1937/1938-61 Flat Socket Block - Tube</p>	<p>Pg. 18</p>  <p>1937/1938-62 Flat Socket Block - Tube</p>

hydraulic flanges/accessories

<p>Pg. 19</p>  <p>1940-61 Gage Port Spacer</p>	<p>Pg. 19</p>  <p>1940-62 Gage Port Spacer</p>	<p>Pg. 20</p>  <p>1942/1943-61 Plug Block</p>	<p>Pg. 20</p>  <p>1942/1943-62 Plug Block</p>	<p>Pg. 21</p>  <p>1951-61 Split Flange</p>	<p>Pg. 21</p>  <p>1951-H Flange Half</p>
<p>Pg. 22</p>  <p>1952-62 Split Flange</p>	<p>Pg. 22</p>  <p>1952-H Flange Half</p>	<p>Pg. 23</p>  <p>1959-P Saddle Connector</p>	<p>Pg. 23</p>  <p>1961 Grade 8 Flange Bolts</p>	<p>Pg. 23</p>  <p>1962 Grade 8 Flange Bolts</p>	<p>Pg. 23</p>  <p>1971 Lock Washers</p>
<p>Pg. 23</p>  <p>1972 Lock Washers</p>	<p>Pg. 24</p>  <p>1965-62 SAE Elbow</p>	<p>Pg. 24</p>  <p>1965-61 SAE Elbow</p>	<p>Pg. 25</p>  <p>1967-61 NPTF Elbow</p>	<p>Pg. 25</p>  <p>1967-62 NPTF Elbow</p>	<p>Pg. 26</p>  <p>1979-61 Shipping Plate</p>
<p>Pg. 26</p>  <p>1979-62 Shipping Plate</p>	<p>Pg. 27</p>  <p>1990-61 Socket Head Mounting Kit</p>	<p>Pg. 27</p>  <p>1990-62 Socket Head Mounting Kit</p>	<p>Pg. 27</p>  <p>1990-M Socket Head Mounting Kit Metric</p>	<p>Pg. 28</p>  <p>3300/3301-61 Tube Braze Flange Head Connector</p>	<p>Pg. 28</p>  <p>3300/3301-62 Tube Braze Flange Head Connector</p>
<p>General Technical</p>					
<p>Pg. 29</p>  <p>Code 61 Flange Head Detail</p>	<p>Pg. 29</p>  <p>Code 62 Flange Head Detail</p>	<p>Pg. 30</p> <p>For Codes 61 & 62 Maximum Working Pressure Ratings</p>			

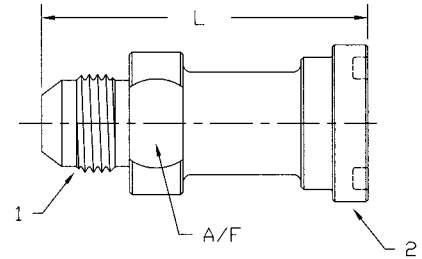
Additional Available Products

- 1724 & 1824, Codes 61 & 62 Flange Plugs
- 1910, Codes 61 & 62 Tube Weld Socket Flange Connector
- 1911, Codes 61 & 62 Pipe Weld Socket Flange Connector
- 1912-O, Code 61 SAE Flange Connector
- 1912-P, Code 61 NPTF Flange Connector
- 1915, 1917 & 1919, Codes 61 & 62 Butt Weld Connector-Variou Pipe Schedules

B R E N N A N I N D U S T R I E S

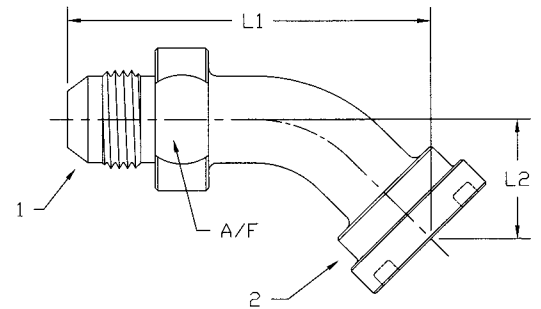
Atlanta • Cleveland • Dallas • Los Angeles • Seattle • Shanghai • Toronto

MJ-Flange Straight Code 61 1700 Series



PART NO. SIZE	TUBE O.D.	1 THREAD	2 FLANGE	L (in.)	A/F (in.)
1700-08-08	1/2	3/4-16 UNF	1/2	2.60	7/8
1700-08-12	1/2	3/4-16 UNF	3/4	2.75	1 1/8
1700-12-12	3/4	1 1/16-12 UN	3/4	2.75	1 1/8
1700-12-16	3/4	1 1/16-12 UN	1	2.80	1 1/8
1700-12-20	3/4	1 1/16-12 UN	1 1/4	2.80	1 3/8
1700-16-12	1	1 5/16-12 UN	3/4	2.75	1 3/8
1700-16-16	1	1 5/16-12 UN	1	2.80	1 3/8
1700-16-20	1	1 5/16-12 UN	1 1/4	2.80	1 3/8
1700-16-24	1	1 5/16-12 UN	1 1/2	2.80	1 11/16
1700-20-16	1 1/4	1 5/8-12 UN	1	2.80	1 11/16
1700-20-20	1 1/4	1 5/8-12 UN	1 1/4	2.80	1 11/16
1700-20-24	1 1/4	1 5/8-12 UN	1 1/2	2.80	1 11/16
1700-20-32	1 1/4	1 5/8-12 UN	2	3.50	1 11/16
1700-24-20	1 1/2	1 7/8-12 UN	1 1/4	3.40	2
1700-24-24	1 1/2	1 7/8-12 UN	1 1/2	3.50	2
1700-24-32	1 1/2	1 7/8-12 UN	2	3.73	2
1700-32-24	2	2 1/2-12 UN	1 1/2	4.20	2 5/8
1700-32-32	2	2 1/2-12 UN	2	3.98	2 5/8

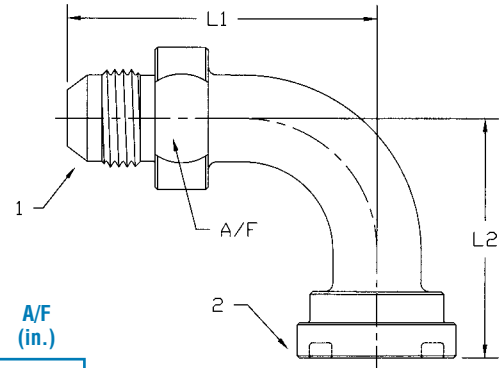
MJ-Flange 45° Code 61 1703 Series



PART NO. SIZE	TUBE O.D.	1 THREAD	2 FLANGE	L1 (in.)	L2 (in.)	A/F (in.)
1703-08-08	1/2	3/4-16 UNF	1/2	2.72	0.91	7/8
1703-08-12	1/2	3/4-16 UNF	3/4	2.72	0.94	7/8
1703-12-12	3/4	1 1/16-12 UN	3/4	3.15	1.02	1 1/8
1703-12-16	3/4	1 1/16-12 UN	1	3.15	1.02	1 1/8
1703-12-20	3/4	1 1/16-12 UN	1 1/4	3.15	1.02	1 1/8
1703-16-12	1	1 5/16-12 UN	3/4	3.66	1.18	1 3/8
1703-16-16	1	1 5/16-12 UN	1	3.66	1.18	1 3/8
1703-16-20	1	1 5/16-12 UN	1 1/4	3.66	1.18	1 3/8
1703-16-24	1	1 5/16-12 UN	1 1/2	3.74	1.26	1 3/8
1703-20-12	1 1/4	1 5/8-12 UN	3/4	3.78	1.18	1 11/16
1703-20-16	1 1/4	1 5/8-12 UN	1	3.86	1.22	1 11/16
1703-20-20	1 1/4	1 5/8-12 UN	1 1/4	4.21	1.38	1 11/16
1703-20-24	1 1/4	1 5/8-12 UN	1 1/2	4.25	1.42	1 11/16
1703-24-20	1 1/2	1 7/8-12 UN	1 1/4	4.70	1.46	2
1703-24-24	1 1/2	1 7/8-12 UN	1 1/2	4.96	1.69	2
1703-24-32	1 1/2	1 7/8-12 UN	2	5.12	1.81	2
1703-32-32	2	2 1/2-12 UN	2	6.22	2.17	2 3/4

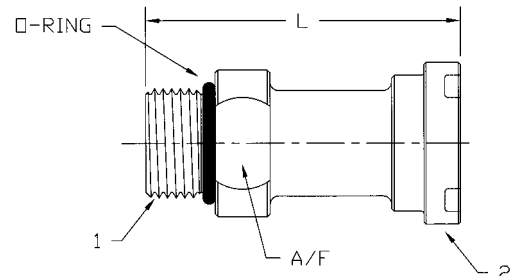
hydraulic flanges/accessories

MJ-Flange 90° Code 61 1704 Series



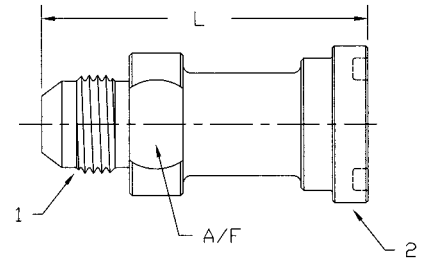
PART NO. SIZE	TUBE O.D.	1 THREAD	2 FLANGE	L1 (in.)	L2 (in.)	A/F (in.)
1704-08-08	1/2	3/4-16 UNF	1/2	2.32	1.81	7/8
1704-08-12	1/2	3/4-16 UNF	3/4	2.32	1.85	7/8
1704-12-12	3/4	1 1/16-12 UN	3/4	2.83	2.13	1 1/8
1704-12-16	3/4	1 1/16-12 UN	1	2.83	2.13	1 1/8
1704-12-20	3/4	1 1/16-12 UN	1 1/4	2.83	2.13	1 1/8
1704-16-12	1	1 5/16-12 UN	3/4	2.95	2.13	1 3/8
1704-16-16	1	1 5/16-12 UN	1	3.39	2.60	1 3/8
1704-16-20	1	1 5/16-12 UN	1 1/4	3.39	2.60	1 3/8
1704-16-24	1	1 5/16-12 UN	1 1/2	3.39	2.66	1 3/8
1704-20-16	1 1/4	1 5/8-12 UN	1	3.54	2.60	1 11/16
1704-20-20	1 1/4	1 5/8-12 UN	1 1/4	3.98	3.03	1 11/16
1704-20-24	1 1/4	1 5/8-12 UN	1 1/2	3.98	3.11	1 11/16
1704-24-20	1 1/2	1 7/8-12 UN	1 1/4	4.21	3.03	2
1704-24-24	1 1/2	1 7/8-12 UN	1 1/2	4.57	3.66	2
1704-24-32	1 1/2	1 7/8-12 UN	2	4.57	3.86	2
1704-32-24	2	2 1/2-12 UN	1 1/2	5.04	3.66	2 3/4
1704-32-32	2	2 1/2-12 UN	2	5.79	4.84	2 3/4
1704-32-40	2	2 1/2-12 UN	2 1/2	5.91	4.92	2 3/4

MB-Flange Straight Code 61 1710 Series



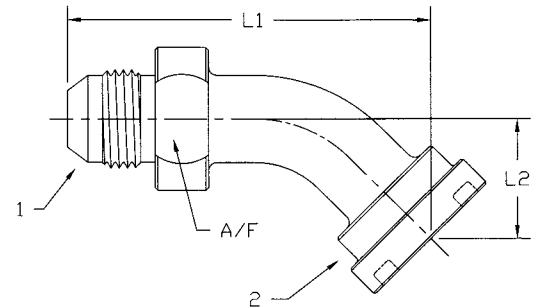
PART NO. SIZE	TUBE O.D.	1 THREAD	2 FLANGE	L (in.)	A/F (in.)
1710-08-08	1/2	3/4-16 UNF	1/2		7/8
1710-12-12	3/4	1 1/16-12 UN	3/4		1 1/4
1710-16-16	1	1 5/16-12 UN	1		1 1/2
1710-20-20	1 1/4	1 5/8-12 UN	1 1/4		1 7/8
1710-24-24	1 1/2	1 7/8-12 UN	1 1/2		2 1/8
1710-32-32	2	2 1/2-12 UN	2		2 3/4

MJ-Flange Straight Code 62 1800 Series



PART NO. SIZE	TUBE O.D.	1 THREAD	2 FLANGE	L (in.)	A/F (in.)
1800-08-08	1/2	3/4-16 UNF	1/2	2.61	7/8
1800-12-12	3/4	1 1/16-12 UN	3/4	2.75	1 1/8
1800-12-16	3/4	1 1/16-12 UN	1	2.80	1 1/8
1800-16-12	1	1 5/16-12 UN	3/4	2.75	1 3/8
1800-16-16	1	1 5/16-12 UN	1	2.80	1 3/8
1800-16-20	1	1 5/16-12 UN	1 1/4	3.05	1 3/8
1800-16-24	1	1 5/16-12 UN	1 1/2	3.05	1 3/8
1800-20-16	1 1/4	1 5/8-12 UN	1	3.50	1 11/16
1800-20-20	1 1/4	1 5/8-12 UN	1 1/4	3.05	1 11/16
1800-20-24	1 1/4	1 5/8-12 UN	1 1/2	3.50	1 11/16
1800-24-20	1 1/2	1 7/8-12 UN	1 1/4	3.30	2
1800-24-24	1 1/2	1 7/8-12 UN	1 1/2	3.50	2 5/8
1800-32-32	2	2 1/2-12 UN	2	4.23	2 3/4

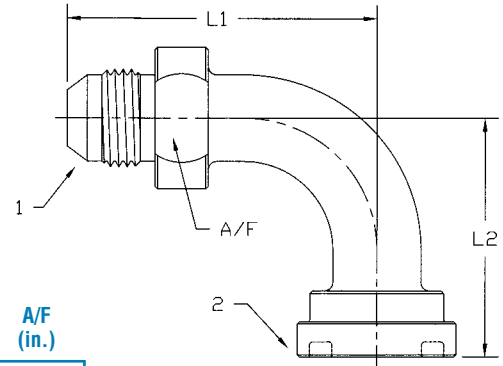
MJ-Flange 45° Code 62 1803 Series



PART NO. SIZE	TUBE O.D.	1 THREAD	2 FLANGE	L1 (in.)	L2 (in.)	A/F (in.)
1803-08-08	1/2	3/4-16 UNF	1/2	2.76	0.94	7/8
1803-12-12	3/4	1 1/16-12 UN	3/4	3.31	1.14	1 1/8
1803-12-16	3/4	1 1/16-12 UN	1	3.35	1.22	1 1/8
1803-16-12	1	1 5/16-12 UN	3/4	3.46	1.18	1 3/8
1803-16-16	1	1 5/16-12 UN	1	3.86	1.38	1 3/8
1803-16-20	1	1 5/16-12 UN	1 1/4	3.98	1.50	1 3/8
1803-16-24	1	1 5/16-12 UN	1 1/2	4.13	1.61	1 3/8
1803-20-16	1 1/4	1 5/8-12 UN	1	4.13	1.42	1 11/16
1803-20-20	1 1/4	1 5/8-12 UN	1 1/4	4.53	1.65	1 11/16
1803-20-24	1 1/4	1 5/8-12 UN	1 1/2	4.65	1.81	1 11/16
1803-24-24	1 1/2	1 7/8-12 UN	1 1/2	5.16	1.93	2
1803-32-32	2	2 1/2-12 UN	2	6.54	2.48	2 3/4

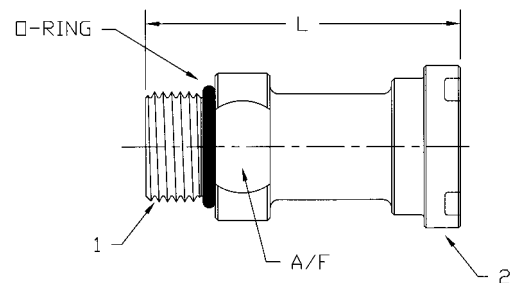
hydraulic flanges/accessories

MJ-Flange 90° Code 62 1804 Series



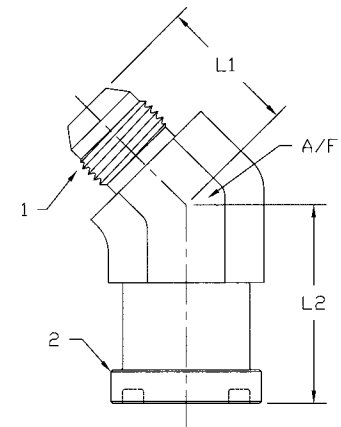
PART NO. SIZE	TUBE O.D.	1 THREAD	2 FLANGE	L1 (in.)	L2 (in.)	A/F (in.)
1804-08-08	1/2	3/4-16 UNF	1/2	2.32	1.85	7/8
1804-12-12	3/4	1 1/16-12 UN	3/4	2.83	2.28	1 1/8
1804-12-16	3/4	1 1/16-12 UN	1	2.83	2.40	1 1/8
1804-12-20	3/4	1 1/16-12 UN	1 1/4	2.83	2.76	1 1/8
1804-16-12	1	1 5/16-12 UN	3/4	2.93	2.28	1 3/8
1804-16-16	1	1 5/16-12 UN	1	3.39	2.87	1 3/8
1804-16-20	1	1 5/16-12 UN	1 1/4	3.39	3.03	1 3/8
1804-16-24	1	1 5/16-12 UN	1 1/2	3.39	3.23	1 3/8
1804-20-16	1 1/4	1 5/8-12 UN	1	3.54	2.87	1 11/16
1804-20-20	1 1/4	1 5/8-12 UN	1 1/4	3.98	3.46	1 11/16
1804-20-24	1 1/4	1 5/8-12 UN	1 1/2	3.98	3.66	1 11/16
1804-24-16	1 1/2	1 7/8-12 UN	1	3.94	2.87	2
1804-24-20	1 1/2	1 7/8-12 UN	1 1/4	4.33	3.46	2
1804-24-24	1 1/2	1 7/8-12 UN	1 1/2	4.57	4.02	2
1804-32-32	2	2 1/2-12 UN	2	5.79	5.31	2 3/4

MB-Flange Straight Code 62 1810 Series



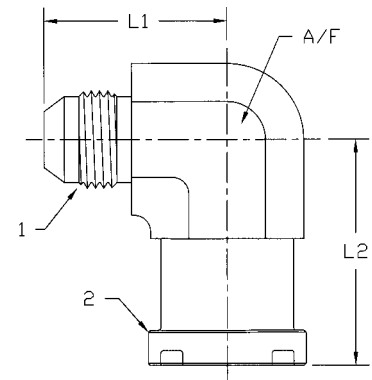
PART NO. SIZE	TUBE O.D.	1 THREAD	2 FLANGE	L (in.)	A/F (in.)
1810-08-08	1/2	3/4-16 UNF	1/2		7/8
1810-12-12	3/4	1 1/16-12 UN	3/4		1 1/4
1810-16-16	1	1 5/16-12 UN	1		1 1/2
1810-20-20	1 1/4	1 5/8-12 UN	1 1/4		1 7/8
1810-24-24	1 1/2	1 7/8-12 UN	1 1/2		2 1/8
1810-32-32	2	2 1/2-12 UN	2		2 3/4

MJ-Flange 45° Code 61 1703FG Series



PART NO. SIZE	TUBE O.D.	1 THREAD	2 FLANGE	L1 (in.)	L2 (in.)	A/F (in.)
1703-12-12-FG	3/4	1 1/16-12 UN	3/4	1.28	1.58	1 1/16
1703-16-16-FG	1	1 5/16-12 UN	1	1.47	1.85	1 5/16
1703-20-20-FG	1 1/4	1 5/8-12 UN	1 1/4	1.59	2.04	1 5/8
1703-24-24-FG	1 1/2	1 7/8-12 UN	1 1/2	1.78	2.38	1 7/8
1703-32-32-FG	2	2 1/2-12 UN	2	2.22	3.00	2 5/8

MJ-Flange 90° Code 61 1704FG Series

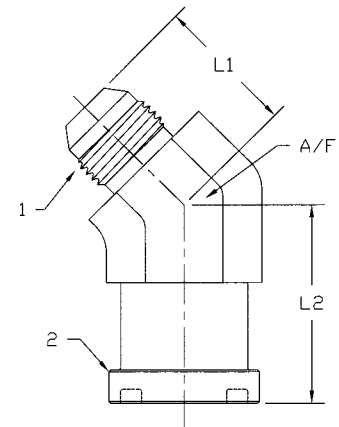


PART NO. SIZE	TUBE O.D.	1 THREAD	2 FLANGE	L1 (in.)	L2 (in.)	A/F (in.)
1704-08-12-FG	1/2	3/4-16 UNF	3/4			1 1/16
1704-12-12-FG	3/4	1 1/16-12 UN	3/4			1 1/16
1704-12-16-FG	3/4	1 1/16-12 UN	1			1 5/16
1704-12-20-FG	3/4	1 1/16-12 UN	1 1/4			1 5/16
1704-12-24-FG	3/4	1 1/16-12 UN	1 1/2			1 5/8
1704-16-12-FG	1	1 5/16-12 UN	3/4			1 5/16
1704-16-16-FG	1	1 5/16-12 UN	1			1 5/16
1704-16-20-FG	1	1 5/16-12 UN	1 1/4			1 5/16
1704-20-16-FG	1 1/4	1 5/8-12 UN	1			1 5/8
1704-20-20-FG	1 1/4	1 5/8-12 UN	1 1/4			1 5/8
1704-20-24-FG	1 1/4	1 5/8-12 UN	1 1/2			1 5/8
1704-24-20-FG	1 1/2	1 7/8-12 UN	1 1/4			1 7/8
1704-24-24-FG	1 1/2	1 7/8-12 UN	1 1/2			1 7/8
1704-24-32-FG	1 1/2	1 7/8-12 UN	2			1 7/8
1704-32-24-FG	2	2 1/2-12 UN	1 1/2			2 5/8
1704-32-32-FG	2	2 1/2-12 UN	2			2 5/8

hydraulic flanges/accessories

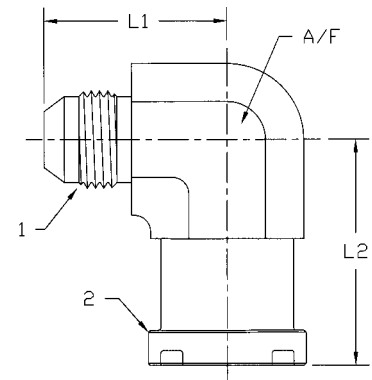
MJ-Flange 45° Code 62 1803FG Series

PART NO. SIZE	TUBE O.D.	1 THREAD	2 FLANGE	L1 (in.)	L2 (in.)	A/F (in.)
1803-12-12-FG	3/4	1 1/16-12 UN	3/4	1.28	1.58	1 1/16
1803-16-16-FG	1	1 5/16-12 UN	1	1.47	1.85	1 5/16
1803-20-20-FG	1 1/4	1 5/8-12 UN	1 1/4	1.59	2.04	1 5/8
1803-24-24-FG	1 1/2	1 7/8-12 UN	1 1/2	1.78	2.90	1 7/8
1803-32-32-FG	2	2 1/2-12 UN	2	2.22	3.00	2 5/8

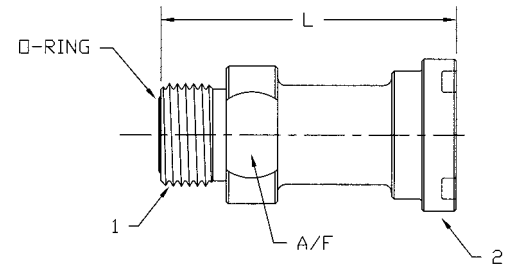


MJ-Flange 90° Code 62 1804FG Series

PART NO. SIZE	TUBE O.D.	1 THREAD	2 FLANGE	L1 (in.)	L2 (in.)	A/F (in.)
1804-12-12-FG	3/4	1 1/16-12 UN	3/4			1 1/16
1804-12-16-FG	3/4	1 1/16-12 UN	1			1 5/16
1804-16-12-FG	1	1 5/16-12 UN	3/4			1 5/16
1804-16-16-FG	1	1 5/16-12 UN	1			1 5/16
1804-16-20-FG	1	1 5/16-12 UN	1 1/4			1 5/16
1804-20-16-FG	1 1/4	1 5/8-12 UN	1			1 5/8
1804-20-20-FG	1 1/4	1 5/8-12 UN	1 1/4			1 5/8
1804-20-24-FG	1 1/4	1 5/8-12 UN	1 1/2			1 5/8
1804-24-20-FG	1 1/2	1 7/8-12 UN	1 1/4			1 7/8
1804-24-24-FG	1 1/2	1 7/8-12 UN	1 1/2			1 7/8
1804-24-32-FG	1 1/2	1 7/8-12 UN	2			2 5/8
1804-32-24-FG	2	2 1/2-12 UN	1 1/2			2 5/8
1804-32-32-FG	2	2 1/2-12 UN	2			2 5/8

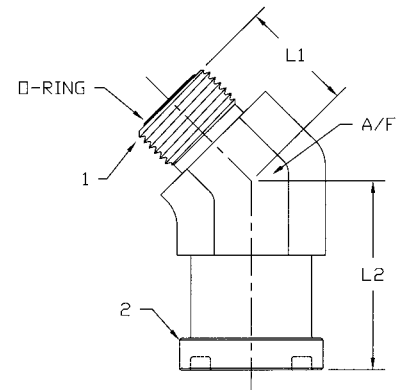


MFS-Flange Straight Code 61 FS1700 Series



PART NO. SIZE	TUBE O.D.	1 THREAD	2 FLANGE	L (in.)	A/F (in.)
FS1700-08-08	1/2	13/16-16 UN	1/2	2.45	7/8
FS1700-12-12	3/4	1 3/16-12 UN	3/4	2.75	1 1/4
FS1700-12-16	3/4	1 3/16-12 UN	1	2.80	1 1/4
FS1700-16-12	1	1 7/16-12 UN	3/4	2.75	1 1/2
FS1700-16-16	1	1 7/16-12 UN	1	2.80	1 1/2
FS1700-16-20	1	1 7/16-12 UN	1 1/4	2.80	1 1/2
FS1700-20-16	1 1/4	1 11/16-12 UN	1	2.80	1 7/8
FS1700-20-20	1 1/4	1 11/16-12 UN	1 1/4	2.80	1 7/8
FS1700-20-24	1 1/4	1 11/16-12 UN	1 1/2	3.50	1 7/8
FS1700-24-20	1 1/2	2-12 UN	1 1/4	3.20	2 1/8
FS1700-24-24	1 1/2	2-12 UN	1 1/2	3.50	2 1/8
FS1700-24-32	1 1/2	2-12 UN	2	3.33	2 1/8

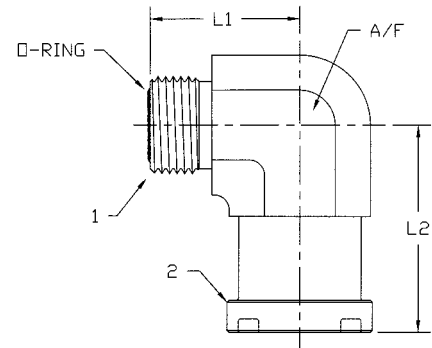
MFS-Flange 45° Code 61 FS1703FG Series



PART NO. SIZE	TUBE O.D.	1 THREAD	2 FLANGE	L1 (in.)	L2 (in.)	A/F (in.)
FS1703-12-12-FG	3/4	1 3/16-12 UN	3/4	1.28	1.58	1 1/8
FS1703-16-16-FG	1	1 7/16-12 UN	1	1.47	1.85	1 3/8
FS1703-20-20-FG	1 1/4	1 11/16-12 UN	1 1/4	1.59	2.04	1 11/16
FS1703-24-24-FG	1 1/2	2-12 UN	1 1/2	1.78	2.38	2

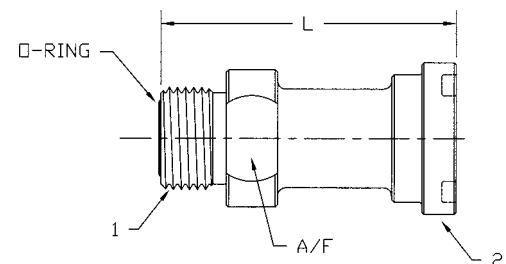
hydraulic flanges/accessories

MFS-Flange 90° Code 61 FS1704FG Series



PART NO. SIZE	TUBE O.D.	1 THREAD	2 FLANGE	L1 (in.)	L2 (in.)	A/F (in.)
FS1704-12-12-FG	3/4	1 3/16-12 UN	3/4	2.13	1.66	1 3/16
FS1704-12-16-FG	3/4	1 3/16-12 UN	1	2.37	1.81	1 3/16
FS1704-16-12-FG	1	1 7/16-12 UN	3/4	2.13	1.66	1 7/16
FS1704-16-16-FG	1	1 7/16-12 UN	1	2.37	1.81	1 7/16
FS1704-16-20-FG	1	1 7/16-12 UN	1 1/4	2.62	2.06	1 7/16
FS1704-20-16-FG	1 1/4	1 11/16-12 UN	1	2.37	1.81	1 5/8
FS1704-20-20-FG	1 1/4	1 11/16-12 UN	1 1/4	2.62	2.06	1 5/8
FS1704-20-24-FG	1 1/4	1 11/16-12 UN	1 1/2	3.15	2.33	1 5/8
FS1704-24-20-FG	1 1/2	2-12 UN	1 1/4	2.62	2.06	1 7/8
FS1704-24-24-FG	1 1/2	2-12 UN	1 1/2	3.15	2.33	1 7/8

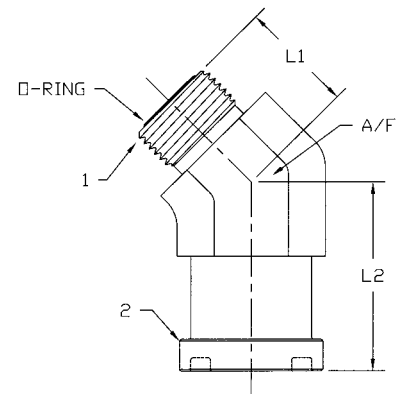
MFS-Flange Straight Code 62 FS1800 Series



PART NO. SIZE	TUBE O.D.	1 THREAD	2 FLANGE	L (in.)	A/F (in.)
FS1800-08-08	1/2	13/16-16 UN	1/2	2.58	7/8
FS1800-12-12	3/4	1 3/16-12 UN	3/4	2.75	1 1/4
FS1800-12-16	3/4	1 3/16-12 UN	1	2.80	1 1/4
FS1800-16-12	1	1 7/16-12 UN	3/4	2.75	1 1/2
FS1800-16-16	1	1 7/16-12 UN	1	2.80	1 1/2
FS1800-16-20	1	1 7/16-12 UN	1 1/4	3.05	1 1/2
FS1800-20-16	1 1/4	1 11/16-12 UN	1	3.20	1 7/8
FS1800-20-20	1 1/4	1 11/16-12 UN	1 1/4	3.05	1 7/8
FS1800-20-24	1 1/4	1 11/16-12 UN	1 1/2	3.50	1 3/4
FS1800-24-20	1 1/2	2-12 UN	1 1/4	3.30	2 1/8
FS1800-24-24	1 1/2	2-12 UN	1 1/2	3.50	2 1/8
FS1800-24-32	1 1/2	2-12 UN	2	3.58	2 1/8

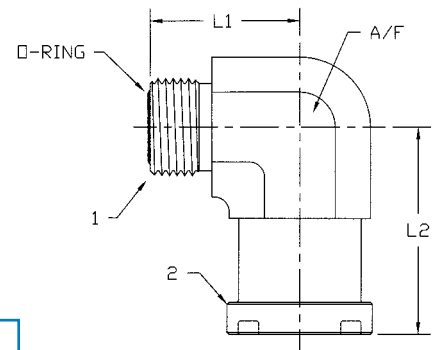
MFS-Flange 45° Code 62 FS1803FG Series

PART NO. SIZE	TUBE O.D.	1 THREAD	2 FLANGE	L1 (in.)	L2 (in.)	A/F (in.)
FS1803-12-12-FG	3/4	1 3/16-12 UN	3/4	1.28	1.58	1 1/8
FS1803-16-16-FG	1	1 7/16-12 UN	1	1.47	1.85	1 3/8
FS1803-20-20-FG	1 1/4	1 11/16-12 UN	1 1/4	1.59	2.04	1 11/16
FS1803-24-24-FG	1 1/2	2-12 UN	1 1/2	1.78	2.38	2



MFS-Flange 90° Code 62 FS1804FG Series

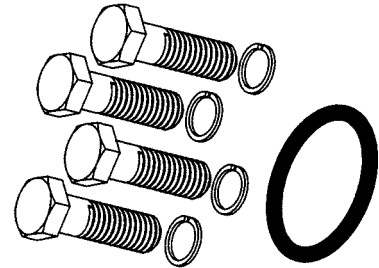
PART NO. SIZE	TUBE O.D.	1 THREAD	2 FLANGE	L1 (in.)	L2 (in.)	A/F (in.)
FS1804-12-12-FG	3/4	1 3/16-12 UN	3/4	2.13	1.66	1 3/16
FS1804-12-16-FG	3/4	1 3/16-12 UN	1	2.37	1.81	1 3/16
FS1804-16-12-FG	1	1 7/16-12 UN	3/4	2.13	1.66	1 7/16
FS1804-16-16-FG	1	1 7/16-12 UN	1	2.37	1.81	1 7/16
FS1804-16-20-FG	1	1 7/16-12 UN	1 1/4	2.76	2.06	1 7/16
FS1804-20-16-FG	1 1/4	1 11/16-12 UN	1	2.37	1.81	1 5/8
FS1804-20-20-FG	1 1/4	1 11/16-12 UN	1 1/4	2.76	2.06	1 5/8
FS1804-20-24-FG	1 1/4	1 11/16-12 UN	1 1/2	3.15	2.33	1 5/8
FS1804-24-20-FG	1 1/2	2-12 UN	1 1/4	2.76	2.06	1 7/8
FS1804-24-24-FG	1 1/2	2-12 UN	1 1/2	3.15	2.33	1 7/8



hydraulic flanges/accessories

Hex Head Mounting Kit Code 61 1900-61 Series

PART NO. SIZE	FLANGE SIZE
1900-61-08-K	1/2
1900-61-12-K	3/4
1900-61-16-K	1
1900-61-20-K	1 1/4
1900-61-24-K	1 1/2
1900-61-32-K	2
1900-61-40-K	2 1/2
1900-61-48-K	3
1900-61-56-K	3 1/2
1900-61-64-K	4



Hex Head Mounting Kit Code 62 1900-62 Series

PART NO. SIZE	FLANGE SIZE
1900-62-08-K	1/2
1900-62-12-K	3/4
1900-62-16-K	1
1900-62-20-K	1 1/4
1900-62-24-K	1 1/2
1900-62-32-K	2

Mounting Kit: 4 hex head bolts, 4 lock washers, and 1 Buna-N o-ring.

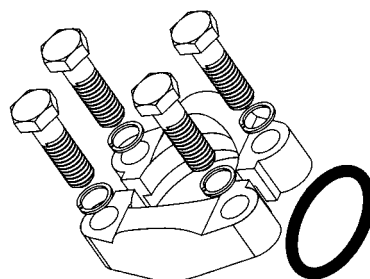
Hex Head Mounting Kit Metric 1900-M Series

PART NO. SIZE
1900-M08-K
1900-M10-K
1900-M12-K
1900-M16-K
1900-M20-K
1900-M24-K
1900-M30-K

Mounting Kit: 4 hex head bolts, 4 lock washers, and 1 Buna-N o-ring.

Split Flange Kit Code 61 1901 Series

PART NO. SIZE	FLANGE SIZE
1901-08-K	1/2
1901-12-K	3/4
1901-16-K	1
1901-20-K	1 1/4
1901-24-K	1 1/2
1901-32-K	2
1901-40-K	2 1/2
1901-48-K	3
1901-56-K	3 1/2
1901-64-K	4



Split Flange Kit Code 62 1902 Series

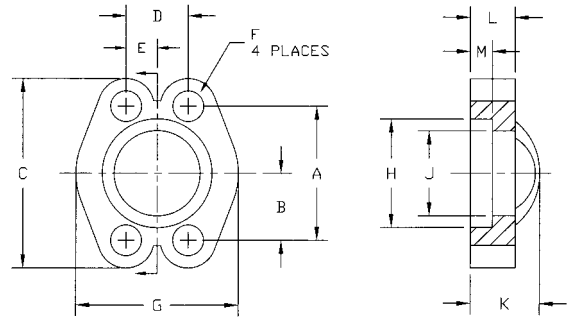
PART NO. SIZE	FLANGE SIZE
1902-08-K	1/2
1902-12-K	3/4
1902-16-K	1
1902-20-K	1 1/4
1902-24-K	1 1/2
1902-32-K	2

Split Flange Kit: 2 split flange halves, 4 hex head bolts, 4 lock washers, and 1 Buna-N o-ring. See 1900 Series for Mounting Kit without split flange halves.

Captive Flange

Code 61 1903-61 Series

Code 61 1904-61 Series

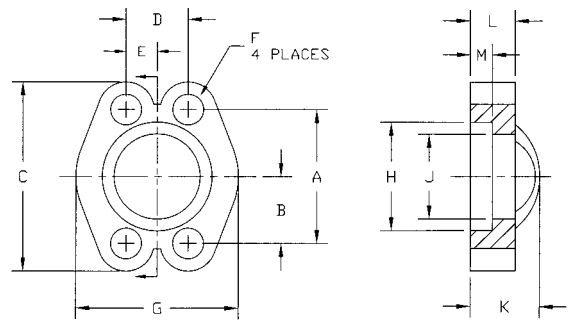


PART NO. DRILLED HOLES	PART NO. TAPPED HOLES	FLANGE SIZE	A ±.010	B ±.010	C ±.030	D ±.010	E ±.010	F ±.010	F THD.	G ±.030	H ±.010	J ±.010	K ±.010	L ±.010	M ±.005
1903-61-08	1904-61-08	1/2	1.500	0.750	2.12	0.688	0.344	0.344	5/16-18	1.81	1.219	0.955	0.75	0.50	0.245
1903-61-12	1904-61-12	3/4	1.875	0.938	2.56	0.875	0.438	0.406	3/8-16	2.06	1.531	1.265	0.88	0.56	0.245
1903-61-16	1904-61-16	1	2.062	1.031	2.75	1.031	0.516	0.406	3/8-16	2.31	1.781	1.515	0.94	0.62	0.295
1903-61-20	1904-61-20	1 1/4	2.312	1.156	3.12	1.188	0.594	0.469	7/16-14	2.88	2.031	1.720	0.88	0.56	0.295
1903-61-24	1904-61-24	1 1/2	2.750	1.375	3.69	1.406	0.703	0.531	1/2-13	3.25	2.406	2.000	1.00	0.62	0.295
1903-61-32	1904-61-32	2	3.062	1.531	4.00	1.688	0.844	0.531	1/2-13	3.81	2.844	2.470	1.03	0.62	0.355
1903-61-40	1904-61-40	2 1/2	3.500	1.750	4.50	2.000	1.000	0.531	1/2-13	4.28	3.344	2.950	1.50	0.75	0.355
1903-61-48	1904-61-48	3	4.188	2.094	5.31	2.438	1.219	0.656	5/8-11	5.16	4.031	3.580	1.62	0.88	0.355
1903-61-56	1904-61-56	3 1/2	4.750	2.375	6.00	2.750	1.375	0.656	5/8-11	5.50	4.531	4.030	1.12	0.88	0.422
1903-61-64	1904-61-64	4	5.125	2.562	6.38	3.062	1.531	0.656	5/8-11	6.00	5.031	4.530	1.38	1.00	0.422

Captive Flange

Code 62 1903-62 Series

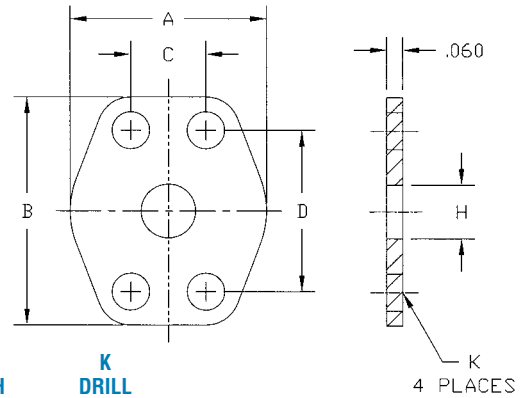
Code 62 1904-62 Series



PART NO. DRILLED HOLES	PART NO. TAPPED HOLES	FLANGE SIZE	A ±.010	B ±.010	C ±.030	D ±.010	E ±.010	F ±.010	F THD.	G ±.030	H ±.010	J ±.010	K ±.010	L ±.010	M ±.005
1903-62-12	1904-62-12	3/4	2.000	1.000	2.81	0.938	0.469	0.406	3/8-16	2.38	1.656	1.280	1.12	0.75	0.325
1903-62-16	1904-62-16	1	2.250	1.125	3.19	1.094	0.547	0.469	7/16-14	2.75	1.906	1.530	1.31	0.94	0.355
1903-62-20	1904-62-20	1 1/4	2.625	1.313	3.75	1.250	0.625	0.531	1/2-13	3.06	2.156	1.750	1.50	1.06	0.385
1903-62-24	1904-62-24	1 1/2	3.125	1.563	4.44	1.438	0.719	0.656	5/8-11	3.75	2.531	2.030	1.69	1.19	0.475
1903-62-32	1904-62-32	2	3.812	1.906	5.25	1.750	0.875	0.781	3/4-10	4.50	3.156	2.660	2.06	1.44	0.475

hydraulic flanges/accessories

Connector Plate Code 61 1914 Series



PART NO. SIZE	FLANGE SIZE	A	B	C	D	H	K DRILL
1914-61-08	1/2	1.810	2.120	0.688	1.500	0.500	0.344
1914-61-12	3/4	2.060	2.560	0.875	1.875	0.750	0.406
1914-61-16	1	2.310	2.750	1.031	2.062	1.000	0.406
1914-61-20	1 1/4	2.880	3.120	1.188	2.312	1.250	0.469
1914-61-24	1 1/2	3.250	3.690	1.406	2.750	1.500	0.531
1914-61-32	2	3.810	4.000	1.688	3.062	2.000	0.531
1914-61-40	2 1/2	4.120	4.440	2.000	3.500	2.500	0.531
1914-61-48	3	5.160	5.310	2.438	4.188	3.000	0.656

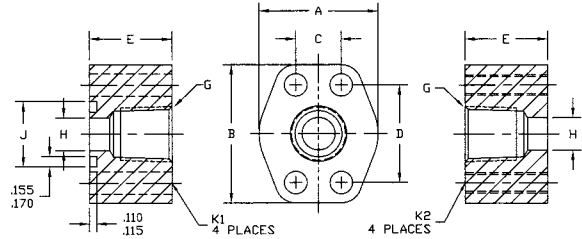
Connector Plate Code 62 1914 Series

PART NO. SIZE	FLANGE SIZE	A	B	C	D	H	K DRILL
1914-62-12	3/4	2.380	2.810	0.937	2.000	0.750	0.406
1914-62-16	1	2.750	3.190	1.093	2.250	1.000	0.469
1914-62-20	1 1/4	3.060	3.750	1.250	2.625	1.250	0.531
1914-62-24	1 1/2	3.750	4.440	1.437	3.125	1.500	0.656
1914-62-32	2	4.500	5.250	1.750	3.812	2.000	0.781

NPTF Port Block

Code 61 1927-61 Series

Code 61 1928-61 Series



PART NO. O-RING FACE	PART NO. FLAT FACE	PIPE SIZE	FLANGE SIZE	A	B	C	D	E	G NPTF	H	J MIN	J MAX	K1 DRILL	K2 THD.
1927-61-08-08	1928-61-08-08	1/2	1/2	1.82	2.17	0.688	1.500	1.25	1/2-14	0.50	1.000	1.005	0.344	5/16-18
1927-61-12-12	1928-61-12-12	3/4	3/4	2.06	2.69	0.875	1.875	1.25	3/4-14	0.75	1.250	1.255	0.406	3/8-16
1927-61-16-16	1928-61-16-16	1	1	2.31	2.88	1.031	2.062	1.50	1-11 1/2	1.00	1.560	1.565	0.406	3/8-16
1927-61-20-20	1928-61-20-20	1 1/4	1 1/4	2.88	3.25	1.188	2.312	1.50	1 1/4-11 1/2	1.25	1.750	1.755	0.469	7/16-14
1927-61-24-24	1928-61-24-24	1 1/2	1 1/2	3.25	3.81	1.406	2.750	1.75	1 1/2-11 1/2	1.50	2.115	2.125	0.531	1/2-13
1927-61-32-32	1928-61-32-32	2	2	3.81	4.13	1.688	3.062	1.75	2-11 1/2	2.00	2.490	2.500	0.531	1/2-13
1927-61-40-40	1928-61-40-40	2 1/2	2 1/2	4.28	4.63	2.000	3.500	2.00	2 1/2-8	2.50	2.995	3.005	0.531	1/2-13
1927-61-48-48	1928-61-48-48	3	3	5.16	5.44	2.438	4.188	2.25	3-8	3.00	3.615	3.625	0.656	5/8-11

All items available with metric mounting holes upon request.

NPTF Port Block

Code 62 1927-62 Series

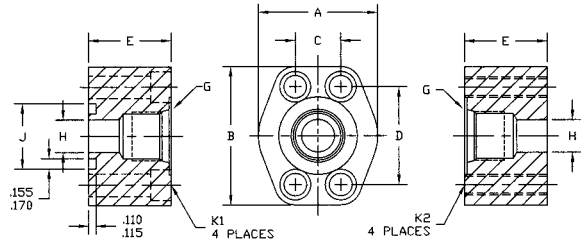
Code 62 1928-62 Series

PART NO. O-RING FACE	PART NO. FLAT FACE	PIPE SIZE	FLANGE SIZE	A	B	C	D	E	G NPTF	H	J MIN	J MAX	K1 DRILL	K2 THD.
1927-62-08-08	1928-62-08-08	1/2	1/2	1.94	2.30	0.718	1.594	1.25	1/2-14	0.50	1.000	1.005	0.344	5/16-18
1927-62-12-12	1928-62-12-12	3/4	3/4	2.38	2.81	0.937	2.000	1.25	3/4-14	0.75	1.250	1.255	0.406	3/8-16
1927-62-16-16	1928-62-16-16	1	1	2.75	3.19	1.093	2.250	1.50	1-11 1/2	1.00	1.560	1.565	0.469	7/16-14
1927-62-20-20	1928-62-20-20	1 1/4	1 1/4	3.06	3.75	1.25	2.625	1.50	1 1/4-11 1/2	1.25	1.750	1.755	0.531	1/2-13
1927-62-24-24	1928-62-24-24	1 1/2	1 1/2	3.75	4.44	1.437	3.125	1.75	1 1/2-11 1/2	1.50	2.115	2.125	0.656	5/8-11
1927-62-32-32	1928-62-32-32	2	2	4.50	5.25	1.750	3.812	1.75	2-11 1/2	2.00	2.490	2.500	0.781	3/4-10

All items available with metric mounting holes upon request.

hydraulic flanges/accessories

SAE Port Block Code 61 1929-61 Series Code 61 1930-61 Series



PART NO. O-RING FACE	PART NO. FLAT FACE	PIPE SIZE	FLANGE SIZE	A	B	C	D	E	G THREAD	H	J MIN	J MAX	K1 DRILL	K2 THD.
1929-61-08-08	1930-61-08-08	1/2	1/2	1.820	2.17	0.688	1.500	1.25	3/4-16	0.50	1.000	1.005	0.344	5/16-18
1929-61-12-12	1930-61-12-12	3/4	3/4	2.060	2.69	0.875	1.875	1.25	1 1/16-12	0.75	1.250	1.255	0.406	3/8-16
1929-61-16-16	1930-61-16-16	1	1	2.310	2.88	1.031	2.062	1.50	1 5/16-12	1.00	1.560	1.565	0.406	3/8-16
1929-61-20-20	1930-61-20-20	1 1/4	1 1/4	2.880	3.25	1.188	2.312	1.50	1 5/8-12	1.25	1.750	1.755	0.469	7/16-14
1929-61-24-24	1930-61-24-24	1 1/2	1 1/2	3.250	3.81	1.406	2.750	1.75	1 7/8-12	1.50	2.115	2.125	0.531	1/2-13

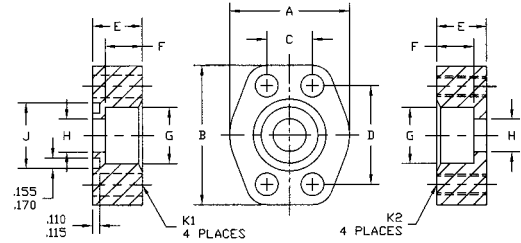
All items available with metric mounting holes upon request.

SAE Port Block Code 62 1929-62 Series Code 62 1930-62 Series

PART NO. O-RING FACE	PART NO. FLAT FACE	PIPE SIZE	FLANGE SIZE	A	B	C	D	E	G THREAD	H	J MIN	J MAX	K1 DRILL	K2 THD.
1929-62-08-08	1930-62-08-08	1/2	1/2	1.94	2.30	0.718	1.594	1.25	3/4-16	0.50	1.000	1.005	0.344	5/16-18
1929-62-12-12	1930-62-12-12	3/4	3/4	2.38	2.81	0.937	2.000	1.25	1 1/16-12	0.75	1.250	1.255	0.406	3/8-16
1929-62-16-16	1930-62-16-16	1	1	2.75	3.19	1.093	2.250	1.50	1 5/16-12	1.00	1.560	1.565	0.469	7/16-14
1929-62-20-20	1930-62-20-20	1 1/4	1 1/4	3.06	3.75	1.25	2.625	1.50	1 5/8-12	1.25	1.750	1.755	0.531	1/2-13
1929-62-24-24	1930-62-24-24	1 1/2	1 1/2	3.75	4.44	1.437	3.125	1.75	1 7/8-12	1.50	2.115	2.125	0.656	5/8-11
1929-62-32-32	1930-62-32-32	2	2	4.50	5.25	1.750	3.812	1.75	2 1/2-12	2.00	2.490	2.500	0.781	3/4-10

All items available with metric mounting holes upon request.

Flat Socket Block – Pipe 500 psi 1933 Series and 1934 Series



PART NO. O-RING FACE	PART NO. FLAT FACE	PIPE SIZE	FLANGE SIZE	A	B	C	D	E	F	G	H	J MIN	J MAX	K1 DRILL	K2 THD.
1933-48-48	1934-48-48	3	3	5.12	5.31	2.438	4.188	1.38	1.120	3.547	3.00	3.615	3.625	0.656	5/8-11
1933-56-56	1934-56-56	3 1/2	3 1/2	5.50	6.00	2.750	4.750	1.44	1.190	4.047	3.50	4.095	4.115	0.656	5/8-11
1933-64-64	1934-64-64	4	4	6.00	6.38	3.062	5.125	1.50	1.250	4.578	4.00	4.595	4.615	0.656	5/8-11
1933-80-80	1934-80-80	5	5	7.12	7.25	3.625	6.000	1.75	1.380	5.641	5.00	5.595	5.615	0.656	5/8-11

All items available with metric mounting holes upon request.

Flat Socket Block – Pipe Code 61 1935-61 Series and 1936-61 Series

PART NO. O-RING FACE	PART NO. FLAT FACE	PIPE SIZE	FLANGE SIZE	A	B	C	D	E	F	G	H	J MIN	J MAX	K1 DRILL	K2 THD.
1935-61-08-08	1936-61-08-08	1/2	1/2	1.813	2.125	0.688	1.500	0.75	.560	.855	0.50	1.000	1.005	0.344	5/16-18
1935-61-12-12	1936-61-12-12	3/4	3/4	2.063	2.563	0.875	1.875	0.75	.560	1.062	0.75	1.250	1.255	0.406	3/8-16
1935-61-16-16	1936-61-16-16	1	1	2.313	2.750	1.031	2.062	0.88	.630	1.326	1.00	1.560	1.565	0.406	3/8-16
1935-61-20-20	1936-61-20-20	1 1/4	1 1/4	2.875	3.125	1.188	2.312	0.94	.690	1.672	1.25	1.750	1.755	0.469	7/16-14
1935-61-24-24	1936-61-24-24	1 1/2	1 1/2	3.250	3.688	1.406	2.750	1.19	.750	1.922	1.50	2.115	2.125	0.531	1/2-13
1935-61-32-32	1936-61-32-32	2	2	3.813	4.000	1.688	3.062	1.38	.875	2.406	2.00	2.490	2.500	0.531	1/2-13
1935-61-40-40	1936-61-40-40	2 1/2	2 1/2	4.281	4.500	2.000	3.500	1.75	1.000	2.906	2.50	2.995	3.005	0.531	1/2-13
1935-61-48-48	1936-61-48-48	3	3	5.156	5.313	2.438	4.188	2.12	1.250	3.547	3.00	3.615	3.625	0.656	5/8-11

All items available with metric mounting holes upon request.

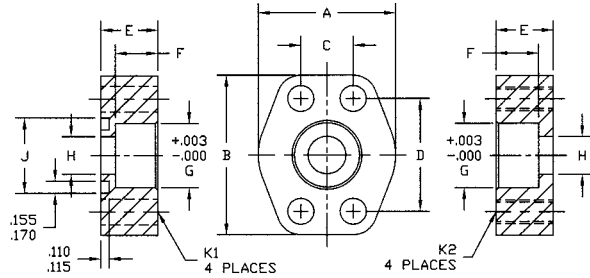
Flat Socket Block – Pipe Code 62 1935-62 Series and 1936-62 Series

PART NO. O-RING FACE	PART NO. FLAT FACE	PIPE SIZE	FLANGE SIZE	A	B	C	D	E	F	G	H	J MIN	J MAX	K1 DRILL	K2 THD.
1935-62-08-08	1936-62-08-08	1/2	1/2	1.94	2.30	0.718	1.594	0.87	0.560	.855	0.50	1.000	1.005	0.344	5/16-18
1935-62-12-12	1936-62-12-12	3/4	3/4	2.38	2.81	0.937	2.000	1.25	0.560	1.063	0.75	1.250	1.255	0.406	3/8-16
1935-62-16-16	1936-62-16-16	1	1	2.75	3.19	1.093	2.250	1.50	0.630	1.328	1.00	1.560	1.565	0.469	7/16-14
1935-62-20-20	1936-62-20-20	1 1/4	1 1/4	3.06	3.75	1.250	2.625	1.50	0.690	1.672	1.25	1.750	1.755	0.531	1/2-13
1935-62-24-24	1936-62-24-24	1 1/2	1 1/2	3.75	4.44	1.437	3.125	1.75	0.750	1.922	1.50	2.115	2.125	0.656	5/8-11
1935-62-32-32	1936-62-32-32	2	2	4.50	5.25	1.750	3.812	1.75	0.875	2.406	2.00	2.490	2.500	0.781	3/4-10
1935-62-40-40	1936-62-40-40	2 1/2	2 1/2	5.87	6.87	2.312	4.875	2.06	1.000	2.906	2.50	2.995	3.005	0.906	7/8-9
1935-62-48-48	1936-62-48-48	3	3	7.00	8.50	2.812	6.000	2.62	1.250	3.547	3.00	3.615	3.625	1.156	1 1/8-7

All items available with metric mounting holes upon request.

hydraulic flanges/accessories

Flat Socket Block – Tube Code 61 1937-61 Series Code 61 1938-61 Series



PART NO. O-RING FACE	PART NO. FLAT FACE	TUBE SIZE	FLANGE SIZE	A	B	C	D	E	F	G	H	J MIN	J MAX	K1 DRILL	K2 THD.
1937-61-12-12	1938-61-12-12	3/4	3/4	2.06	2.56	0.875	1.875	0.750	.560	.752	0.63	1.250	1.255	0.406	3/8-16
1937-61-16-12	1938-61-16-12	1	3/4	2.06	2.56	0.875	1.875	0.750	.560	1.002	0.75	1.250	1.255	0.406	3/8-16
1937-61-16-16	1938-61-16-16	1	1	2.31	2.75	1.031	2.062	0.880	.630	1.002	0.88	1.560	1.565	0.406	3/8-16
1937-61-20-16	1938-61-20-16	1 1/4	1	2.31	2.75	1.031	2.062	0.880	.630	1.252	1.00	1.560	1.565	0.406	3/8-16
1937-61-20-20	1938-61-20-20	1 1/4	1 1/4	2.88	3.12	1.188	2.312	0.940	.690	1.252	1.13	1.750	1.755	0.469	7/16-14
1937-61-24-20	1938-61-24-20	1 1/2	1 1/4	2.88	3.12	1.188	2.312	0.940	.690	1.502	1.25	1.750	1.755	0.469	7/16-14
1937-61-24-24	1938-61-24-24	1 1/2	1 1/2	3.25	3.69	1.406	2.750	1.190	.750	1.502	1.38	2.115	2.125	0.531	1/2-13
1937-61-28-24	1938-61-28-24	1 3/4	1 1/2	3.25	3.69	1.406	2.750	1.190	.750	1.752	1.50	2.115	2.125	0.531	1/2-13
1937-61-32-32	1938-61-32-32	2	2	3.81	4.00	1.688	3.062	1.375	.875	2.002	1.88	2.490	2.500	0.531	1/2-13
1937-61-36-32	1938-61-36-32	2 1/4	2	3.81	4.00	1.688	3.062	1.375	.875	2.252	2.00	2.490	2.500	0.531	1/2-13

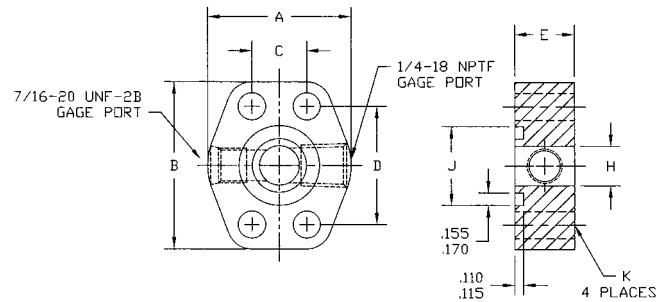
All items available with metric mounting holes upon request.

Flat Socket Block – Tube Code 62 1937-62 Series Code 62 1938-62 Series

PART NO. O-RING FACE	PART NO. FLAT FACE	TUBE SIZE	FLANGE SIZE	A	B	C	D	E	F	G	H	J MIN	J MAX	K1 DRILL	K2 THD.
1937-62-12-12	1938-62-12-12	3/4	3/4	2.38	2.81	0.937	2.000	1.25	.560	.752	0.63	1.250	1.255	0.406	3/8-16
1937-62-16-12	1938-62-16-12	1	3/4	2.38	2.81	0.937	2.000	1.25	.560	1.002	0.75	1.250	1.255	0.406	3/8-16
1937-62-16-16	1938-62-16-16	1	1	2.75	3.19	1.093	2.250	1.50	.630	1.002	0.88	1.560	1.565	0.469	7/16-14
1937-62-20-16	1938-62-20-16	1 1/4	1	2.75	3.19	1.093	2.250	1.50	.630	1.252	1.00	1.560	1.565	0.469	7/16-14
1937-62-20-20	1938-62-20-20	1 1/4	1 1/4	3.06	3.75	1.250	2.625	1.50	.690	1.252	1.13	1.750	1.755	0.531	1/2-13
1937-62-24-20	1938-62-24-20	1 1/2	1 1/4	3.06	3.75	1.250	2.625	1.50	.690	1.502	1.25	1.750	1.755	0.531	1/2-13
1937-62-24-24	1938-62-24-24	1 1/2	1 1/2	3.75	4.44	1.437	3.125	1.75	.750	1.502	1.38	2.115	2.125	0.656	5/8-11
1937-62-28-24	1938-62-28-24	1 3/4	1 1/2	3.75	4.44	1.437	3.125	1.75	.750	1.752	1.50	2.115	2.125	0.656	5/8-11
1937-62-32-32	1938-62-32-32	2	2	4.50	5.25	1.750	3.812	1.75	.875	2.002	1.88	2.490	2.500	0.781	3/4-10
1937-62-36-32	1938-62-36-32	2 1/4	2	4.50	5.25	1.750	3.812	1.75	.875	2.252	2.00	2.490	2.500	0.781	3/4-10

All items available with metric mounting holes upon request.

Flange Spacer with Side Gage Ports Code 61 1940 Series



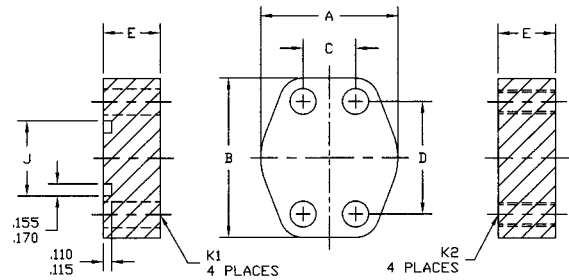
PART NO.	FLANGE SIZE	A	B	C	D	E	H	J	K DRILL
1940-61-08	1/2	1.813	2.125	0.688	1.500	1.250	0.500	1.000	0.344
1940-61-12	3/4	2.063	2.563	0.875	1.875	1.250	0.750	1.250	0.406
1940-61-16	1	2.313	2.750	1.031	2.063	0.875	1.000	1.560	0.406
1940-61-20	1 1/4	2.875	3.125	1.188	2.313	0.937	1.250	1.750	0.469
1940-61-24	1 1/2	3.250	3.688	1.406	2.750	1.188	1.500	2.115	0.531
1940-61-32	2	3.813	4.000	1.688	3.063	1.375	2.000	2.490	0.531
1940-61-40	2 1/2	4.281	4.500	2.000	3.500	1.750	2.500	2.995	0.531
1940-61-48	3	5.156	5.313	2.438	4.188	2.125	3.000	3.615	0.656

Flange Spacer with Side Gage Ports Code 62 1940 Series

PART NO.	FLANGE SIZE	A	B	C	D	E	H	J	K DRILL
1940-62-08	1/2	1.940	2.300	0.718	1.594	0.870	0.500	1.000	0.344
1940-62-12	3/4	2.500	2.950	0.937	2.000	1.250	0.750	1.250	0.406
1940-62-16	1	2.750	3.190	1.093	2.250	1.500	1.000	1.560	0.492
1940-62-20	1 1/4	3.060	3.750	1.250	2.625	1.500	1.250	1.750	0.531
1940-62-24	1 1/2	3.750	4.440	1.437	3.125	1.750	1.500	2.115	0.656
1940-62-32	2	4.500	5.250	1.750	3.812	1.750	2.000	2.490	0.781
1940-62-40	2 1/2	5.870	6.870	2.312	4.875	2.060	2.500	2.995	0.906
1940-62-48	3	7.000	8.500	2.812	6.000	2.620	3.000	3.615	1.156

hydraulic flanges/accessories

Plug Block Code 61 1942-61 Series Code 61 1943-61 Series



PART NO. O-RING FACE	PART NO. FLAT FACE	FLANGE SIZE	A	B	C	D	E	J MIN	J MAX	K1 DRILL	K2 THD.
1942-61-08	1943-61-08	1/2	1.813	2.125	0.688	1.500	0.690	1.000	1.005	0.344	5/16-18
1942-61-12	1943-61-12	3/4	2.063	2.563	0.875	1.875	0.750	1.250	1.255	0.406	3/8-16
1942-61-16	1943-61-16	1	2.313	2.750	1.031	2.063	0.880	1.560	1.565	0.406	3/8-16
1942-61-20	1943-61-20	1 1/4	2.875	3.125	1.188	2.313	0.940	1.750	1.755	0.469	7/16-14
1942-61-24	1943-61-24	1 1/2	3.250	3.688	1.406	2.750	1.190	2.115	2.125	0.531	1/2-13
1942-61-32	1943-61-32	2	3.813	4.000	1.688	3.063	1.380	2.490	2.500	0.531	1/2-13
1942-61-40	1943-61-40	2 1/2	4.281	4.500	2.000	3.500	1.750	2.995	3.005	0.531	1/2-13
1942-61-48	1943-61-48	3	5.156	5.313	2.438	4.188	2.120	3.615	3.625	0.656	5/8-11

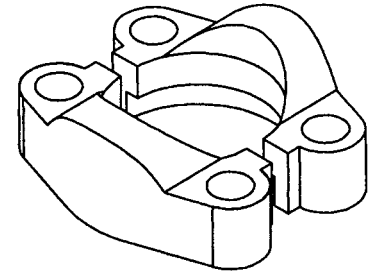
All items available with metric mounting holes upon request.

Plug Block Code 62 1942-62 Series Code 62 1943-62 Series

PART NO. O-RING FACE	PART NO. FLAT FACE	FLANGE SIZE	A	B	C	D	E	J MIN	J MAX	K1 DRILL	K2 THD.
1942-62-12	1943-62-12	3/4	2.380	2.810	0.937	2.000	1.250	1.250	1.255	0.406	3/8-16
1942-62-16	1943-62-16	1	2.750	3.190	1.093	2.250	1.500	1.560	1.565	0.469	7/16-14
1942-62-20	1943-62-20	1 1/4	3.060	3.750	1.250	2.625	1.500	1.750	1.755	0.531	1/2-13
1942-62-24	1943-62-24	1 1/2	3.750	4.440	1.437	3.125	1.750	2.115	2.125	0.656	5/8-11
1942-62-32	1943-62-32	2	4.500	5.250	1.750	3.812	1.750	2.490	2.500	0.781	3/4-10

All items available with metric mounting holes upon request.

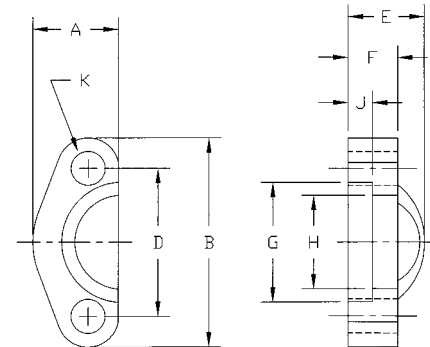
Split Flange Code 61 1951 Series



PART NO. SIZE	FLANGE SIZE
1951-08	1/2
1951-12	3/4
1951-16	1
1951-20	1 1/4
1951-24	1 1/2
1951-32	2
1951-40	2 1/2
1951-48	3
1951-56	3 1/2
1951-64	4

All items available with metric mounting holes upon request.

Flange Halves Code 61 1951-H Series



*PART NO. SIZE	**FLANGE KIT	FLANGE SIZE	A ±.030	B ±.030	D ±.010	E ±.030	F ±.016	G ±.010	H ±.010	J ±.005	K ±.005
1951-08	1901-08	1/2	0.86	2.12	1.50	0.75	0.50	1.22	0.96	0.25	0.34
1951-12	1901-12	3/4	0.98	2.56	1.88	0.88	0.56	1.53	1.27	0.25	0.41
1951-16	1901-16	1	1.11	2.75	2.06	0.94	0.62	1.78	1.52	0.30	0.41
1951-20	1901-20	1 1/4	1.39	3.12	2.31	0.88	0.56	2.03	1.72	0.30	0.47
1951-24	1901-24	1 1/2	1.58	3.69	2.75	1.00	0.62	2.41	2.00	0.30	0.53
1951-32	1901-32	2	1.86	4.00	3.06	1.03	0.62	2.84	2.47	0.36	0.53
1951-40	1901-40	2 1/2	2.09	4.50	3.50	1.50	0.75	3.34	2.95	0.36	0.53
1951-48	1901-48	3	2.53	5.31	4.19	1.62	0.88	4.03	3.58	0.36	0.66
1951-56	1901-56	3 1/2	2.70	6.00	4.75	1.12	0.88	4.53	4.03	0.42	0.66
1951-64	1901-64	4	2.95	6.38	5.13	1.38	1.00	5.03	4.53	0.42	0.66

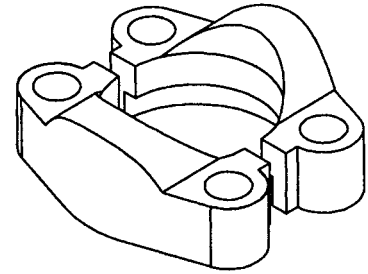
*Part No.: 2 split flange halves only.

**Flange Kit: 2 split flange halves, 4 hex head bolts, 4 lock washers, and 1 Buna-N o-ring.

All items available with metric mounting holes upon request.

hydraulic flanges/accessories

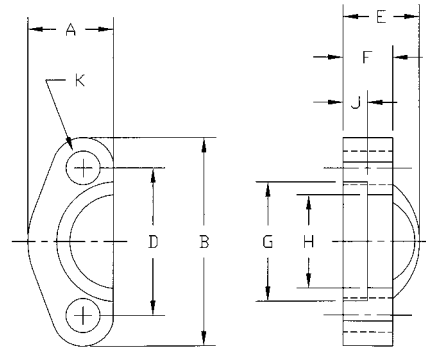
Split Flange Code 62 1952 Series



PART NO. SIZE	FLANGE SIZE
1952-08	1/2
1952-12	3/4
1952-16	1
1952-20	1 1/4
1952-24	1 1/2
1952-32	2

All items available with metric mounting holes upon request.

Flange Halves Code 62 1952-H Series



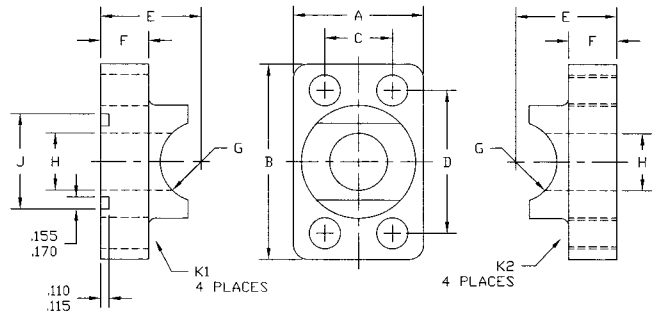
*PART NO. SIZE	**FLANGE KIT	FLANGE SIZE	A ±.030	B ±.030	D ±.010	E ±.030	F ±.016	G ±.010	H ±.010	J ±.005	K ±.005
1952-08	1902-08	1/2	0.89	2.22	1.59	0.88	0.62	1.28	0.97	0.29	0.34
1952-12	1902-12	3/4	1.14	2.81	2.00	1.12	0.75	1.66	1.28	0.33	0.41
1952-16	1902-16	1	1.33	3.19	2.25	1.31	0.94	1.91	1.53	0.36	0.47
1952-20	1902-20	1 1/4	1.48	3.75	2.63	1.50	1.06	2.16	1.75	0.39	0.53
1952-24	1902-24	1 1/2	1.83	4.44	3.13	1.69	1.19	2.53	2.03	0.48	0.66
1952-32	1902-32	2	2.20	5.25	3.81	2.06	1.44	3.16	2.66	0.48	0.78

*Part No.: 2 split flange halves only.

**Flange Kit: 2 split flange halves, 4 hex head bolts, 4 lock washers, and 1 Buna-N o-ring.

All items available with metric mounting holes upon request.

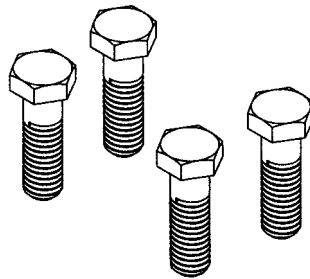
Pipe Saddle Weld Block Connector 1959-P Series



PART NO. O-RING FACE	PART NO. FLAT FACE	PIPE SIZE	FLANGE SIZE	A	B	C	D	E	F	G	H	J MIN	J MAX	K1 DRILL	K2 THD.
1959-P-12-12	1960-P-12-12	3/4	3/4	1.690	2.560	0.875	1.875	1.310	0.630	0.532	0.750	1.250	1.255	0.406	3/8-16
1959-P-16-16	1960-P-16-16	1	1	1.940	2.750	1.031	2.062	1.500	0.560	0.665	1.000	1.560	1.565	0.406	3/8-16
1959-P-20-20	1960-P-20-20	1 1/4	1 1/4	2.190	3.120	1.188	2.312	1.810	0.630	0.837	1.250	1.750	1.755	0.469	7/16-14
1959-P-24-24	1960-P-24-24	1 1/2	1 1/2	2.560	3.690	1.406	2.750	2.120	0.810	0.957	1.500	2.115	2.125	0.531	1/2-13
1959-P-32-32	1960-P-32-32	2	2	3.060	4.000	1.688	3.062	2.620	1.060	1.200	2.000	2.490	2.500	0.531	1/2-13

Grade 8 Flange Bolts 1961 Series

PART NO. SIZE	FLANGE SIZE
1961-08	1/2
1961-12	3/4
1961-16	1
1961-20	1 1/4
1961-24	1 1/2
1961-32	2
1961-40	2 1/2
1961-48	3
1961-56	3 1/2
1961-64	4

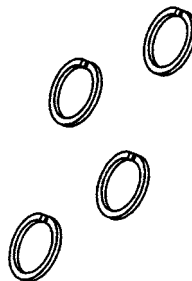


Grade 8 Flange Bolts 1962 Series

PART NO. SIZE	FLANGE SIZE
1962-08	1/2
1962-12	3/4
1962-16	1
1962-20	1 1/4
1962-24	1 1/2
1962-32	2

Lock Washers 1971 Series

PART NO. SIZE	FLANGE SIZE
1971-08	1/2
1971-12	3/4
1971-16	1
1971-20	1 1/4
1971-24	1 1/2
1971-32	2
1971-40	2 1/2
1971-48	3
1971-56	3 1/2
1971-64	4

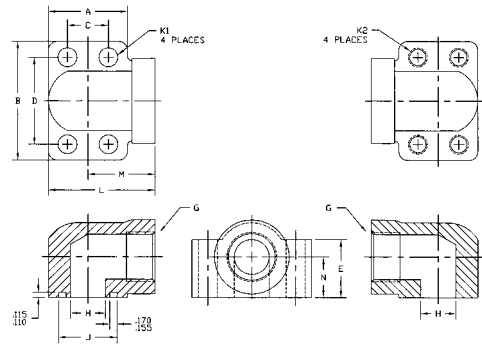


Lock Washers 1972 Series

PART NO. SIZE	FLANGE SIZE
1972-08	1/2
1972-12	3/4
1972-16	1
1972-20	1 1/4
1972-24	1 1/2
1972-32	2

hydraulic flanges/accessories

SAE Port Block Elbow Code 61 1965 Series

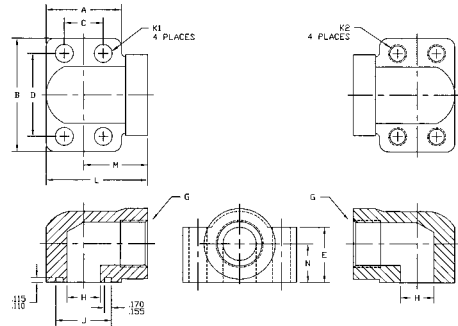


PART NO. O-RING FACE	PART NO. FLAT FACE	TUBE SIZE	FLANGE SIZE	A	B	C	D	E	G THREAD	H	J	K1 DRILL	K2 THD.	L	M	N
1965-61-12-12	1966-61-12-12	3/4	3/4	1.690	2.560	0.875	1.875	1.250	1 1/16-12	0.750	1.250	0.406	3/8-16	2.280	1.440	0.875
1965-61-16-16	1966-61-16-16	1	1	1.940	2.750	1.031	2.062	1.500	1 5/16-12	1.000	1.560	0.406	3/8-16	2.620	1.660	1.062
1965-61-20-20	1966-61-20-20	1 1/4	1 1/4	2.190	3.120	1.188	2.312	1.810	1 5/8-12	1.250	1.750	0.469	7/16-14	3.000	1.910	1.188
1965-61-24-24	1966-61-24-24	1 1/2	1 1/2	2.560	3.690	1.406	2.750	2.000	1 7/8-12	1.500	2.115	0.531	1/2-13	3.330	2.050	1.312
1965-61-32-32	1966-61-32-32	2	2	3.060	4.330	1.688	3.062	2.500	2 1/2-12	2.000	2.490	0.531	1/2-13	3.810	2.280	1.656

SAE Port Block Elbow Code 62 1965 Series

PART NO. O-RING FACE	PART NO. FLAT FACE	TUBE SIZE	FLANGE SIZE	A	B	C	D	E	G THREAD	H	J	K1 DRILL	K2 THD.	L	M	N
1965-62-12-12	1966-62-12-12	3/4	3/4	1.940	2.750	0.937	2.000	1.500	1 1/16-12	0.750	1.250	0.406	3/8-16	2.620	1.660	1.062
1965-62-16-16	1966-62-16-16	1	1	2.190	3.120	1.093	2.250	1.810	1 5/16-12	1.000	1.560	0.492	7/16-14	3.000	1.910	1.188
1965-62-20-20	1966-62-20-20	1 1/4	1 1/4	2.560	3.690	1.250	2.625	2.000	1 5/8-12	1.250	1.750	0.531	1/2-13	3.320	2.050	1.312
1965-62-24-24	1966-62-24-24	1 1/2	1 1/2	3.060	4.330	1.437	3.125	2.500	1 7/8-12	1.500	2.115	0.656	5/8-11	3.810	2.280	1.656

NPTF Port Block Elbow Code 61 1967 Series



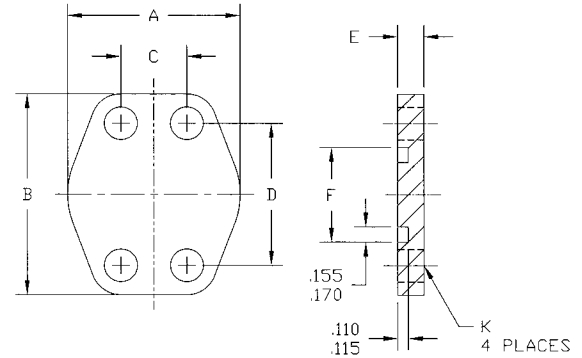
PART NO. O-RING FACE	PART NO. FLAT FACE	PIPE SIZE	FLANGE SIZE	A	B	C	D	E	G THREAD	H	J	K1 DRILL	K2 THD.	L	M	N
1967-61-12-12	1968-61-12-12	3/4	3/4	1.690	2.560	0.875	1.875	1.250	3/4-14	0.750	1.250	0.406	3/8-16	2.280	1.440	0.875
1967-61-16-16	1968-61-16-16	1	1	1.940	2.750	1.031	2.062	1.500	1 1/16-12	1.000	1.560	0.406	3/8-16	2.620	1.660	1.062
1967-61-20-20	1968-61-20-20	1 1/4	1 1/4	2.190	3.120	1.188	2.312	1.810	1 1/4-11 1/2	1.250	1.750	0.469	7/16-14	3.000	1.910	1.188
1967-61-24-24	1968-61-24-24	1 1/2	1 1/2	2.560	3.690	1.406	2.750	2.000	1 1/2-11 1/2	1.500	2.115	0.531	1/2-13	3.330	2.050	1.312
1967-61-32-32	1968-61-32-32	2	2	3.060	4.330	1.688	3.062	2.500	2 1/16-12	2.000	2.490	0.531	1/2-13	3.810	2.280	1.656

NPTF Port Block Elbow Code 62 1967 Series

PART NO. O-RING FACE	PART NO. FLAT FACE	PIPE SIZE	FLANGE SIZE	A	B	C	D	E	G THREAD	H	J	K1 DRILL	K2 THD.	L	M	N
1967-62-12-12	1968-62-12-12	3/4	3/4	1.940	2.750	0.937	2.000	1.500	3/4-14	0.750	1.250	0.406	3/8-16	2.620	1.660	1.062
1967-62-16-16	1968-62-16-16	1	1	2.190	3.120	1.093	2.250	1.810	1 1/16-12	1.000	1.560	0.492	7/16-14	3.000	2.000	1.188
1967-62-20-20	1968-62-20-20	1 1/4	1 1/4	2.560	3.690	1.250	2.625	2.000	1 1/4-11 1/2	1.250	1.750	0.531	1/2-13	3.320	2.050	1.312
1967-62-24-24	1968-62-24-24	1 1/2	1 1/2	3.060	4.330	1.437	3.125	2.500	1 1/2-11 1/2	1.500	2.115	0.656	5/8-11	3.810	2.280	1.656

hydraulic flanges/accessories

Flange Shipping Plate/ Ø-PSI Code 61 1979 Series



PART NO. SIZE	FLANGE SIZE	A	B	C	D	E	F	K DRILL
1979-61-12	3/4	2.060	2.560	0.875	1.875	0.330	1.250	0.406
1979-61-20	1 1/4	2.880	3.120	1.188	2.313	0.330	1.750	0.469
1979-61-32	2	3.810	4.000	1.688	3.063	0.330	2.490	0.531
1979-61-48	3	5.160	5.310	2.438	4.188	0.330	3.615	0.656

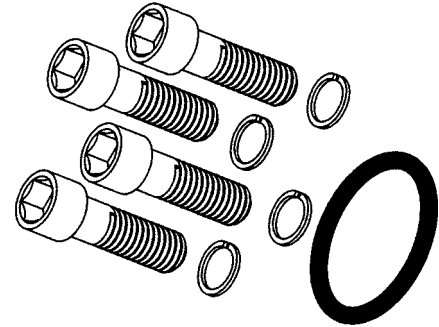
*Other sizes available upon request

Flange Shipping Plate/Ø-PSI Code 62 1979 Series

PART NO. SIZE	FLANGE SIZE	A	B	C	D	E	F	K DRILL
1979-62-12	3/4	2.500	2.810	0.937	2.000	0.330	1.250	0.406
1979-62-20	1 1/4	3.060	3.750	1.250	2.625	0.330	1.750	0.531
1979-62-32	2	4.500	5.250	1.750	3.812	0.330	2.490	0.781

*Other sizes available upon request

Socket Head Mounting Kit Code 61 1990-61 Series



PART NO. SIZE	FLANGE SIZE
1990-61-08-K	1/2
1990-61-12-K	3/4
1990-61-16-K	1
1990-61-20-K	1 1/4
1990-61-24-K	1 1/2
1990-61-32-K	2
1990-61-40-K	2 1/2
1990-61-48-K	3
1990-61-56-K	3 1/2
1990-61-64-K	4

Socket Head Mounting Kit Code 62 1990-62 Series

PART NO. SIZE	FLANGE SIZE
1990-62-08-K	1/2
1990-62-12-K	3/4
1990-62-16-K	1
1990-62-20-K	1 1/4
1990-62-24-K	1 1/2
1990-62-32-K	2

Mounting Kit: 4 socket head bolts, 4 lock washers, and 1 Buna-N o-ring.

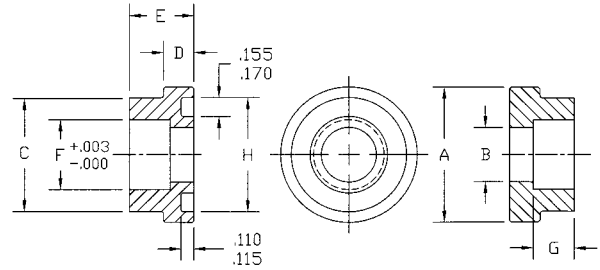
Socket Head Mounting Kit Metric 1990-M Series

PART NO. SIZE
1990-M08-K
1990-M10-K
1990-M12-K
1990-M16-K
1990-M20-K
1990-M24-K
1990-M30-K

Mounting Kit: 4 socket head bolts, 4 lock washers, and 1 Buna-N o-ring.

hydraulic flanges/accessories

Tube Braze Flange Head Connector Code 61 3300-61 Series Code 61 3301-61 Series

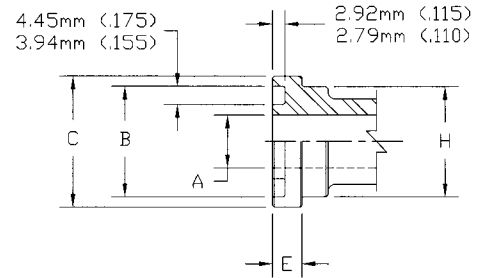


PART NO. O-RING FACE	PART NO. FLAT FACE	TUBE SIZE	FLANGE SIZE	A	B	C	D	E	F	G	H
3300-61-08-08	3301-61-08-08	1/2	1/2	1.188	.406	1.00	.265	.50	.502	.312	1.000
3300-61-10-08	3301-61-10-08	5/8	1/2	1.188	.500	1.00	.235	.50	.625	.312	1.000
3300-61-12-12	3301-61-12-12	3/4	3/4	1.500	.656	1.25	.265	.56	.752	.375	1.250
3300-61-16-12	3301-61-16-12	1	3/4	1.500	.750	1.25	.265	.56	.100	.375	1.250
3300-61-16-16	3301-61-16-16	1	1	1.750	.906	1.50	.315	.56	1.002	.375	1.560
3300-61-20-16	3301-61-20-16	1 1/4	1	1.750	1.000	1.50	.315	.56	1.252	.375	1.560
3300-61-20-20	3301-61-20-20	1 1/4	1 1/4	2.000	1.125	1.70	.315	.56	1.252	.375	1.750
3300-61-24-20	3301-61-24-20	1 1/2	1 1/4	2.000	1.250	1.70	.315	.56	1.502	.375	1.750
3300-61-24-24	3301-61-24-24	1 1/2	1 1/2	2.380	1.375	1.98	.315	.62	1.502	.438	2.115
3300-61-28-24	3301-61-28-24	1 3/4	1 1/2	2.380	1.500	1.98	.315	.62	1.752	.438	2.115
3300-61-32-32	3301-61-32-32	2	2	2.810	1.875	2.45	.315	.62	2.002	.500	2.490
3300-61-36-32	3301-61-36-32	2 1/4	2	2.810	2.000	2.45	.375	.62	2.252	.500	2.490
3300-61-40-40	3301-61-40-40	2 1/2	2 1/2	3.312	2.375	2.92	.375	.68	2.502	.500	2.995
3300-61-44-40	3301-61-44-40	2 3/4	2 1/2	3.312	2.500	2.92	.375	.68	2.752	.500	2.995
3300-61-48-48	3301-61-48-48	3	3	4.000	2.875	3.55	.375	.75	3.002	.562	3.615

Tube Braze Flange Head Connector Code 62 3300-62 Series Code 62 3301-62 Series

PART NO. O-RING FACE	PART NO. FLAT FACE	TUBE SIZE	FLANGE SIZE	A	B	C	D	E	F	G	H
3300-62-12-12	3301-62-12-12	3/4	3/4	1.625	.656	1.250	.345	.69	.752	.500	1.250
3300-62-16-12	3301-62-16-12	1	3/4	1.625	.750	1.250	.345	.69	1.002	.500	1.250
3300-62-16-16	3301-62-16-16	1	1	1.875	.810	1.500	.375	.81	1.002	.625	1.560
3300-62-20-16	3301-62-20-16	1 1/4	1	1.875	1.000	1.500	.375	.81	1.252	.625	1.560
3300-62-20-20	3301-62-20-20	1 1/4	1 1/4	2.125	1.010	1.718	.405	1.00	1.252	.812	1.750
3300-62-24-20	3301-62-24-20	1 1/2	1 1/4	2.125	1.250	1.718	.405	1.00	1.502	.812	1.750
3300-62-24-24	3301-62-24-24	1 1/2	1 1/2	2.500	1.250	2.000	.495	1.19	1.502	1.000	2.115
3300-62-28-24	3301-62-28-24	1 3/4	1 1/2	2.500	1.500	2.000	.495	1.19	1.752	1.000	2.115
3300-62-32-32	3301-62-32-32	2	2	3.125	1.750	2.000	.495	1.50	2.002	1.375	2.490
3300-62-36-32	3301-62-36-32	2 1/4	2	3.125	2.000	2.000	.495	1.50	2.252	1.312	2.490

Flange Head Detail Code 61



FLANGE SIZE	DASH SIZE	A MAX (in.)	A MAX (mm)	B (in.)	B (mm)	C ±.010 (in.)	C ±0.25 (mm)	E ±.005 (in.)	E ±0.13 (mm)	H MAX (in.)	H MAX (mm)
1/2	-8	0.50	13	1.005-1.000	25.53-25.40	1.188	30.18	0.265	6.73	0.94	24
3/4	-12	0.75	19	1.255-1.250	31.88-31.75	1.500	38.10	0.265	6.73	1.25	32
1	-16	1.00	25	1.565-1.560	39.75-39.62	1.750	44.45	0.315	8.00	1.50	38
1 1/4	-20	1.25	32	1.755-1.750	44.58-44.45	2.000	50.80	0.315	8.00	1.70	43
1 1/2	-24	1.50	38	2.125-2.115	53.98-53.72	2.375	60.33	0.315	8.00	1.98	50
2	-32	2.00	51	2.500-2.490	63.50-63.25	2.812	71.42	0.375	9.53	2.45	62
2 1/2	-40	2.50	64	3.005-2.995	76.33-76.07	3.312	84.12	0.375	9.53	2.92	74
3	-48	3.00	76	3.625-3.615	92.08-91.82	4.000	101.60	0.375	9.53	3.55	90
3 1/2	-56	3.50	89	4.115-4.095	104.52-104.01	4.500	114.30	0.422	11.23	4.00	102
4	-64	4.00	102	4.615-4.595	117.22-116.71	5.000	127.00	0.422	11.23	4.50	114

Flange Head Detail Code 62

FLANGE SIZE	DASH SIZE	A MAX (in.)	A MAX (mm)	B (in.)	B (mm)	C ±.010 (in.)	C ±0.25 (mm)	E ±.005 (in.)	E ±0.13 (mm)	H MAX (in.)	H MAX (mm)
1/2	-8	0.50	13	1.005-1.000	25.53-25.40	1.250	31.75	0.305	7.75	0.94	24
3/4	-12	0.75	19	1.255-1.250	31.88-31.75	1.625	41.28	0.345	8.76	1.25	32
1	-16	1.00	25	1.565-1.560	39.75-39.62	1.875	47.63	0.375	9.53	1.50	38
1 1/4	-20	1.25	32	1.755-1.750	44.58-44.45	2.125	53.98	0.405	10.29	1.72	44
1 1/2	-24	1.50	38	2.125-2.115	53.98-53.72	2.500	63.50	0.495	12.57	2.00	51
2	-32	2.00	51	2.500-2.490	63.50-63.25	3.125	79.38	0.495	12.57	2.62	67

SAE J518 Maximum Working Pressure Ratings for Code 61 Flange Fittings

NOMINAL FLANGE SIZE INCH	MAXIMUM RECOMMENDED WORKING PRESSURE MPa	MAXIMUM RECOMMENDED WORKING PRESSURE PSI*
1/2	34.5	5,000
3/4	34.5	5,000
1	34.5	5,000
1 1/4	27.6	4,000
1 1/2	20.7	3,000
2	20.7	3,000

MPa (Mega Paskels) – 1 MPa = 145 PSI

SAE J518 Maximum Working Pressure Ratings for Code 62 Flange Fittings

NOMINAL FLANGE SIZE INCH	MAXIMUM RECOMMENDED WORKING PRESSURE MPa	MAXIMUM RECOMMENDED WORKING PRESSURE PSI*
1/2	41.4	6,000
3/4	41.4	6,000
1	41.4	6,000
1 1/4	41.4	6,000
1 1/2	41.4	6,000
2	41.4	6,000

MPa (Mega Paskels) – 1 MPa = 145 PSI

*Pressure ratings for flange head only.



www.brennaninc.com



DISTRIBUTION CENTERS

Atlanta

Phone: 770.981.8451
Toll Free: 800.458.1988
Fax: 770.987.0926

Cleveland

Phone: 440.248.7088
Toll Free: 800.331.1523
Fax: 440.248.9375

Dallas

Phone: 972.988.8311
Toll Free: 800.443.9937
Fax: 972.660.6638

Houston

Toll Free: 800.443.9937
Fax: 713.808.9477

Los Angeles

Phone: 949.595.0901
Toll Free: 800.942.5321
Fax: 949.595.0933

Seattle

Phone: 253.826.2001
Toll Free: 800.445.7107
Fax: 253.826.4884

Shanghai

Phone: +86 021 57390012
Fax: 86.21.57390688

Toronto

Toll Free: 800.331.1523
Fax: 905.673.8788

Tube Fittings & Adapters

O-Ring Face Seal Fittings

Instrumentation Fittings

Valves-Instrumentation

Hydraulic Flanges

Metric Bite Type Fittings

Push-to-Connect Fittings

DOT

Clamps

Flareless Bite Type Fittings

Live Swivels

Brass Fittings

Test Points

Conversion Adapters

Flare-O

Corporate Headquarters

6701 Cochran Road
Solon, Ohio 44139 U.S.A.
Phone: 440.248.1880
Toll Free: 888.331.1523
Fax: 440.248.7282

Domestic Manufacturing Facility

26420 Century
Corners Parkway
Cleveland, Ohio 44132-3310

Distributed By:

