

Canton Elevator Inc.

HYDRAULIC ELEVATOR MODERNIZATION SURVEY

INSTRUCTIONS for USE of MODERNIZATION SURVEY DATA SHEETS

This Modernization Survey Package consists of the following 14 sheets:

PAGE	TITLE
1.	General Information
2.	Outline of Equipment
3.	Hoistway Dimensional Data - Elevation
4a.	Hoistway Dimensional Data - Plan / Freight Car
4b.	Hoistway Dimensional Data - Plan / Passenger Car - Single Slide Doors
4c.	Hoistway Dimensional Data - Plan / Passenger Car - Two Speed Doors
4d.	Hoistway Dimensional Data - Plan / Passenger Car - Center Opening Doors
5.	Machine Room Layout
6.	Car Frame Data
7.	Passenger Hoistway and Car Door Data
8.	Hoistway Wiring Arrangement
9.	Signal Fixture Information
10.	Jack Unit Dimensional Data
11.	Controller Data

WHEN MODERNIZATION PROJECT IS BOOKED:

- Resubmit Pages 1 and 2 with all necessary information completed (updated).

AND

- If CANTON ELEVATOR is to provide elevator layouts, or if modernization is extensive, with new equipment to be installed in existing hoistway - complete Pages 3, 4, and 5.
- If any new machine room equipment is to be furnished, complete Page 5.
- If existing power unit is to be reused, complete applicable section of Page 5.
- If existing sling and platform is to be reused, and interfaces with any new equipment, complete Page 6.
- If new door operator equipment is to be furnished to attach to existing doors, or if new door panels are to be provided, complete Page 7.
- If replacement of, or modification to wiring materials is part of modernization project, complete Page 8.
- If new signal fixtures are to be provided to fit within existing boxes or openings, complete Page 9 as necessary.
- If a new jack unit or slip casing is to be provided to interface with existing equipment, complete Page 10 as necessary. If new jack unit is to be used with the existing power unit, complete the Power Unit section of Page 5.
- If a new controller is to be provided, complete page 11.

WHEN REQUESTING AN ESTIMATE FOR MODERNIZATION WORK:

- Complete Pages 1 and 2 with information necessary for the respective modernization project
- AND
- If machine room size or location may be a factor in providing an estimate, complete Page 5 as necessary.
 - If sling and platform is to be reused, and dimensional information of existing sling and platform is needed for estimating purposes, then complete Page 6 as necessary.
 - If new operator equipment is to be provided to fit existing hatch and/or car doors, or if new panels only are to be provided, then complete Page 7 as necessary.
 - If new fixtures are to be provided to fit within existing boxes or openings, complete Page 9 as necessary.

NOTE: If project is an extensive modernization with equipment to be installed in an existing hoistway, it is suggested that Pages 3 & 4 be completed at this time.

REMEMBER

OUR ABILITY TO MAINTAIN OUR NORMAL HIGH LEVEL OF ENGINEERING PRECISION IS DEPENDENT ON THE COMPLETENESS AND ACCURACY OF THE INFORMATION SUPPLIED.

Canton Elevator Inc.

**HYDRAULIC ELEVATOR
MODERNIZATION SURVEY DATA**

GENERAL INFORMATION

(Complete this page for ALL projects for estimating purposes, and resubmit when sending pages 3 - 11.)

DATE: _____ MATERIAL REQUIRED BY: _____ YOUR NAME: _____

ELEVATOR COMPANY: _____ PHONE: _____

_____ FAX: _____

PROJECT: _____

MATERIAL TO BE SHIPPED TO: _____

BRIEF DESCRIPTION OF MODERNIZATION WORK TO BE PERFORMED _____

WHICH CODE APPLIES: _____

ELEVATOR DATA

(Provide basic information necessary to estimate modernization cost)

QUANTITY: _____ TYPE: PASSENGER FREIGHT CLASS: _____ OTHER (SPECIFY): _____

ITEM	PRESENT	NEW IF SAME AS PRESENT, INDICATE BY A CHECK (✓)	REMARKS
CAPACITY			
SPEED			
TRAVEL (FL to FL)			
No. of LANDINGS			
No. of OPENINGS			
FRONT OPENINGS @			
REAR OPENINGS @			
SIDE OPENINGS @			
* CONTROLLER OPERATION			
* PLATFORM SIZE			
* HEIGHT of CAB (INSIDE)			
* DOOR TYPE			
* OPENING SIZE			
DOORS-POWER/MANUAL			
POWER SUPPLY			
* MACHINE ROOM LOCATION			
* HOISTWAY SIZE			
* PIT			
* OVERHEAD			

* WHEN PROJECT IS BOOKED, ACCURATE FIELD MEASUREMENTS OF EXISTING CONDITIONS WILL BE REQUIRED, IF THIS DATA IS NECESSARY TO COMPLETE ENGINEERING. SEE PAGES 3 - 11.

PRIMARY MFGR. OF EXISTING EQPT.: _____

PRESENT PISTON SIZE: _____ PISTON WALL (IF AVAILABLE) : _____ PRESENT CYLINDER SIZE: _____

NOTE: PISTON AND CYLINDER SIZES CAN BE GIVEN EITHER AS DIAMETERS OR AS CIRCUMFERENCES (DISTANCE AROUND). TO OBTAIN A CIRCUMFERENCE DIMENSION, WRAP A TAPE MEASURE TIGHTLY AROUND THE PISTON OR CYLINDER AND READ TO 1/16 OF AN INCH. IF SUPPLYING A CIRCUMFERENCE DIMENSION, INDICATE IT AS SUCH BY WRITING "CIR" AFTER THE MEASUREMENT.

H.P. OF EXISTING POWER UNIT: _____ TYPE OF POWER UNIT: BELT DRIVE DIRECT DRIVE SUBMERSIBLE

MACHINE ROOM DOOR OPENING WIDTH (IF APPLICABLE) _____ ANY OTHER OPENINGS OR OBSTRUCTIONS THAT WOULD

LIMIT ACCESS? DESCRIBE: _____

PRESENT CAR WT. (IF AVAILABLE) : _____ PRESENT GROSS WT. (IF AVAILABLE) : _____

OR DESCRIPTION OF CAR _____

ADDITIONAL REMARKS: _____

Canton Elevator Inc.

**HYDRAULIC ELEVATOR
MODERNIZATION SURVEY DATA**

OUTLINE of EQUIPMENT

(Complete this page for ALL projects for estimating purposes)

N – NEW. R – REPAIR OR REFURBISH. ✓ – REUSE. N/A – NOT APPLICABLE.	COMPONENT	REMARKS
	POWER UNIT	INCLUDE: <input type="checkbox"/> MUFFLER <input type="checkbox"/> HEATER <input type="checkbox"/> VALVE ONLY
	JACK UNIT	INCLUDE: <input type="checkbox"/> HEAD BEARING <input type="checkbox"/> CYLINDER ONLY <input type="checkbox"/> PISTON ONLY
	PIT SUPPORT	
	SPRING BUFFERS	
	CONTROLLER	
	MOTOR STARTER	
	LEVELING SWITCHES, VANES & BRACKETS	
	FLOOR SWITCHES, CAM & BRACKETS	
	LIMIT SWITCHES, CAM & BRACKETS	
	HOISTWAY WIREWAY - (CONDUIT)	
	TRAVELING CABLE	
	HATCH WIRING	
	SLING	
	PLATFORM	
	CAR ENCLOSURE	IF NEW, DESCRIBE BELOW
	FIXTURES IF PARTIAL REPLACEMENT, OR IF ADDITIONAL FIXTURES ARE TO BE FURNISHED, MARK "PARTIAL" OR "ADDITIONAL" AT LEFT AND DESCRIBE REQUIREMENTS IN REMARKS COLUMN AT RIGHT.	<input type="checkbox"/> TO FIT WITHIN EXISTING BOXES OR CUTOUTS (SEE PAGE 9). SIGNAL FIXTURE VOLTAGE:
	PIT STOP SWITCH	
	CROSSHEAD INSPECTION STATION	
	HOISTWAY ENTRANCE FRAMES, SILLS, STRUCTURAL, FACIA	IF NEW, WHAT IS EXISTING WALL CONSTRUCTION?
	HOISTWAY DOOR PANELS	
	DOOR OPERATOR EQUIP. IF PARTIAL REPLACEMENT, MARK "PARTIAL" AT LEFT AND DESCRIBE IN REMARKS COLUMN AT RIGHT.	
	PHOTO EYE OR <input type="checkbox"/> PROXIMITY DEVICE	
	RAILS	EXISTING OPERATOR MFGR & TYPE:
	RAIL BRACKETS IF ADDITIONAL, MARK "ADDITIONAL" AT LEFT AND DESCRIBE IN REMARKS COLUMN AT RIGHT.	
	OIL LINE MATERIALS	
	SHUT OFF (GATE) VALVE	
	LAYOUTS REQUIRED	
	MISC. (DESCRIBE)	

FOR FREIGHT CAR(S) ONLY

	CAR GATES	
	RETIRING CAM	
	BUMPER RAILS	

ADDITIONAL (or New cab desc.): _____
 REMARKS _____

Canton Elevator Inc.

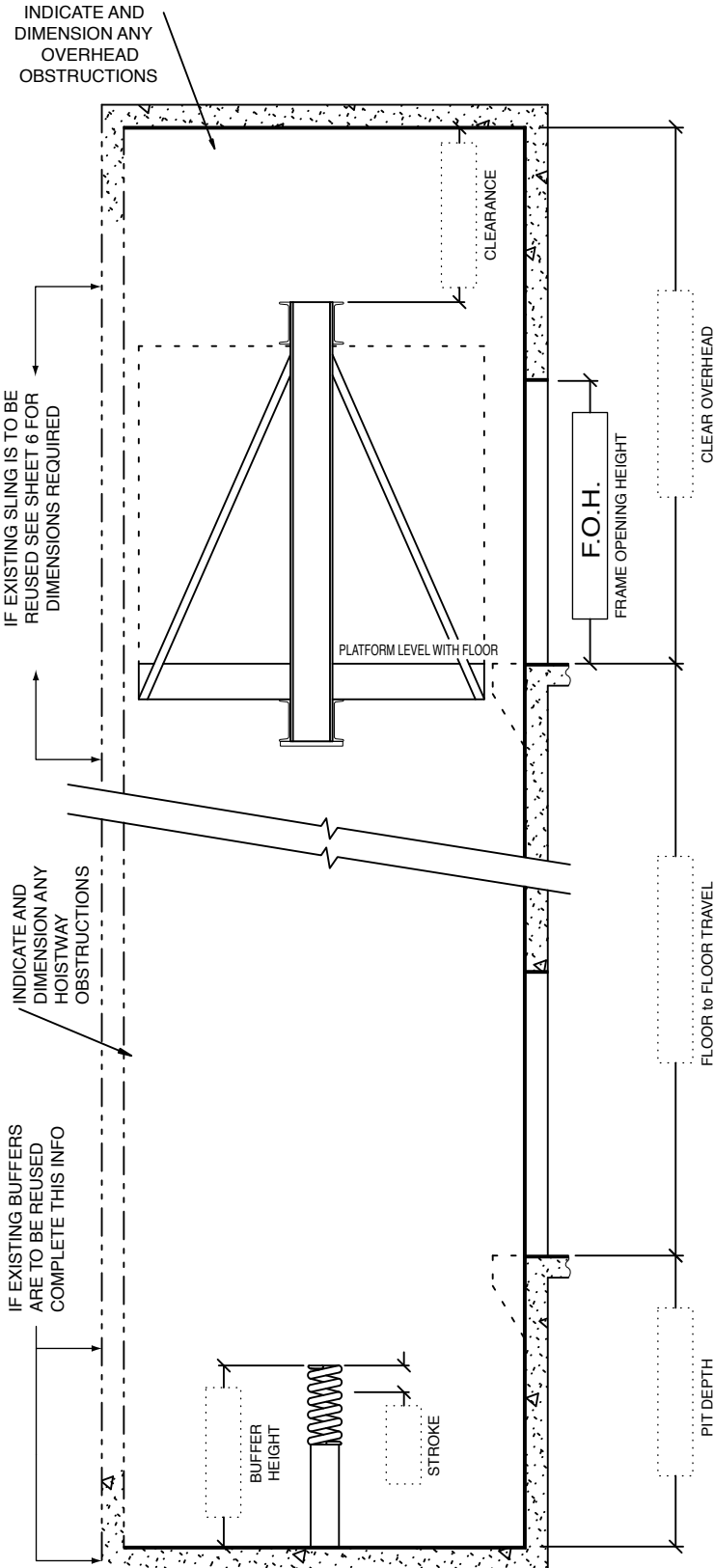
HYDRAULIC ELEVATOR MODERNIZATION SURVEY DATA

HOISTWAY DIMENSIONAL DATA - ELEVATION

(Complete this page if elevator layouts are to be provided by Canton - or if new basic elevator equipment is to be provided to fit within existing hoistway.)

(This information is required when project is booked.)

NOTE: WHEN SENDING PAGES 3 THROUGH 11, PLEASE RESUBMIT A COMPLETED PAGE 1.



ADDITIONAL REMARKS:

* WALL THKNS/CONS. FRONT	DIMENSION F.O.H. AT		WALL THKNS/CONS. * REAR		FLOOR DESIGNATION	OPENING AT		FLOOR TO FLOOR DIMENSION
	FRONT	REAR	FRONT	REAR		FRONT	REAR	

* IF NEW FRAMES ARE TO BE PROVIDED - THEN INDICATE WALL THICKNESS AND CONSTRUCTION AT EACH OPENING:
M = MASONRY C = CONCRETE G = DRYWALL (GYP)

IF EXISTING JACK UNIT IS TO BE REUSED INDICATE -
TOP RUNBY _____
BOTTOM RUNBY _____

Canton Elevator Inc.

**HYDRAULIC ELEVATOR
MODERNIZATION SURVEY DATA**

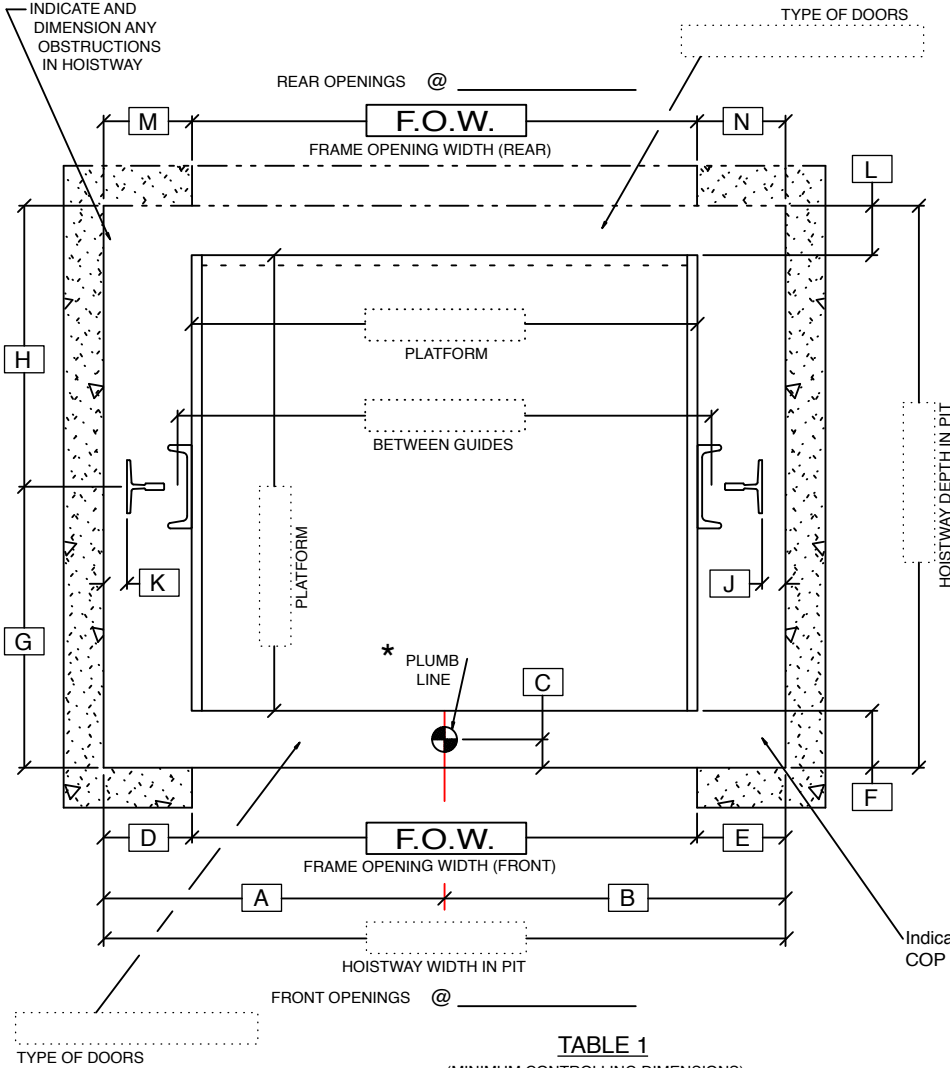
HOISTWAY DIMENSIONAL DATA - PLAN

(FREIGHT CAR HOISTWAY)

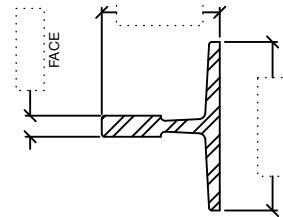
(Complete this page if elevator layouts are to be provided by Canton - or if new basic elevator equipment is to be provided to fit within existing hoistway.)

(This information is required when project is booked.)

NOTE: WHEN SENDING PAGES 3 THROUGH 11, PLEASE RESUBMIT A COMPLETED PAGE 1.



EXISTING GUIDE RAILS (IF REUSED) ARE: _____ #/ft OR DIMENSION BELOW



If car gate(s) will be reused - sketch and dimension gate and post locations and projections:



* Inclusion of dimensions A, B, & C is not essential, but is recommended on any modernization project where existing hatch is used and where any out of plumb conditions, or out of line conditions of entrances may affect new installation.

TABLE 1
(MINIMUM CONTROLLING DIMENSIONS)

F.O.W. FRONT	A	B	C	D	E	F	G	H	J	K	L	REQUIRED FOR REAR OPENING ONLY		
												F.O.W. REAR	M	N

TABLE 2
(COMPLETE SURVEY)

FLOOR	F.O.W. FRONT	A	B	C	D	E	F	G	H	J	K	L	REQUIRED FOR REAR OPENING ONLY	
													F.O.W. REAR	M

If minimum controlling dimensions are easily determined and reliably define the hoistway, then only TABLE 1 need be completed. If, however, the condition of the hoistway (plumbness, alignment, etc.) is less than perfect, or if a complete survey is desired, fill out TABLE 2.

Remember - our ability to maintain our normal high level of engineering precision is dependent on the completeness and accuracy of the dimensional information supplied.

IF EXISTING OPENING FRAMES ARE TO BE REUSED DIMENSION F.O.W. MUST BE FILLED IN FOR ALL OPENINGS.

Canton Elevator Inc.

HYDRAULIC ELEVATOR
MODERNIZATION SURVEY DATA

HOISTWAY DIMENSIONAL DATA - PLAN

(PASSENGER CAR HOISTWAY)
(SINGLE SLIDE DOORS)

(Complete this page if elevator layouts are to be provided by Canton - or if new basic
elevator equipment is to be provided to fit within existing hoistway.)

(This information is required when project is booked.)

NOTE: WHEN SENDING PAGES 3 THROUGH 11, PLEASE RESUBMIT A COMPLETED PAGE 1.

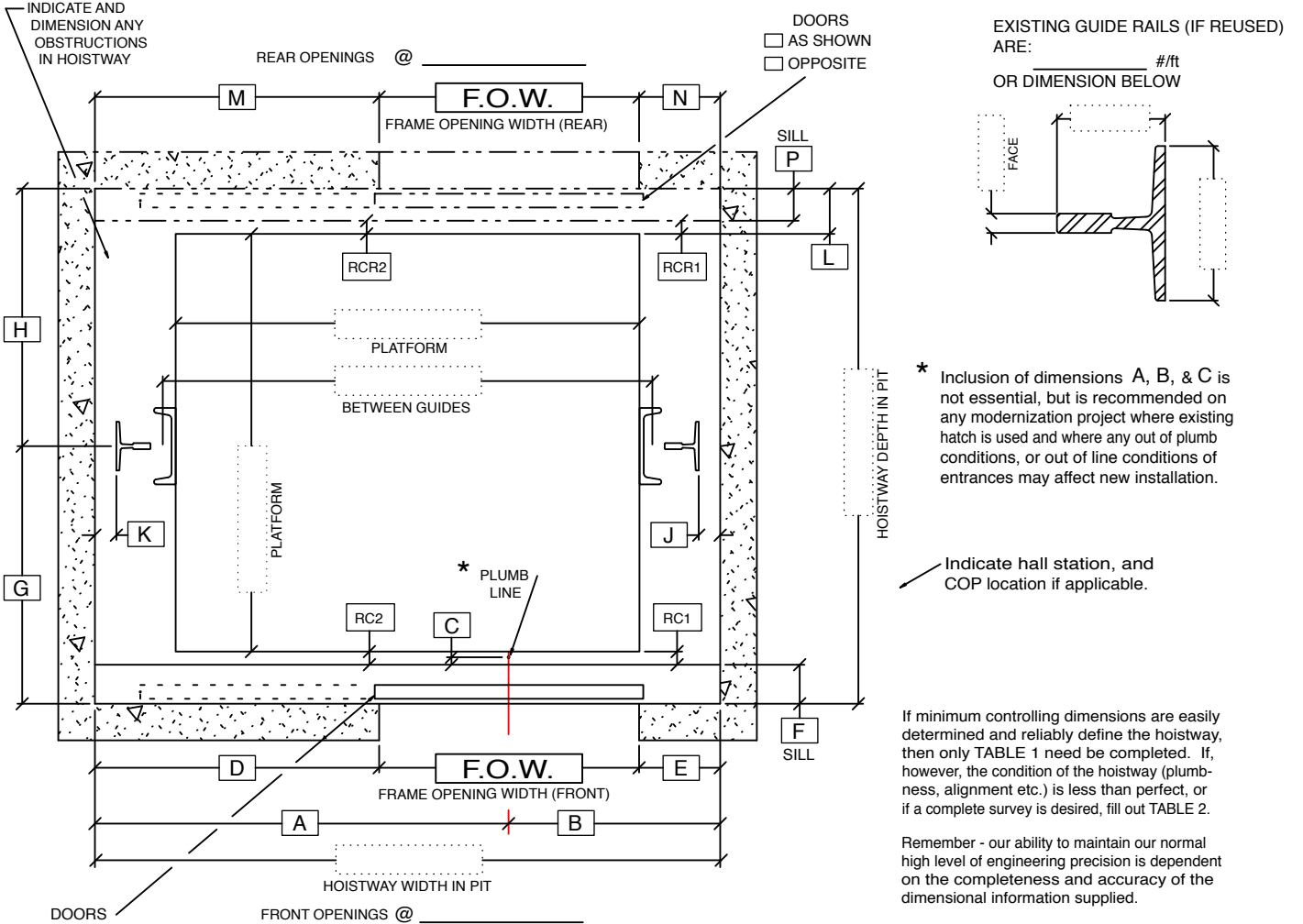


TABLE 1

(MINIMUM CONTROLLING DIMENSIONS)

F.O.W. FRONT	A	B	C	D	E	F	G	H	J	K	L	RC1	RC2	REQUIRED FOR REAR OPENING ONLY									
	F.O.W. REAR	M	N	P	RCR1	RCR2																	

TABLE 2

(COMPLETE SURVEY)

FLOOR	F.O.W. FRONT	A	B	C	D	E	F	G	H	J	K	L	RC1	RC2	REQUIRED FOR REAR OPENING ONLY								
		F.O.W. REAR	M	N	P	RCR1	RCR2																

Canton Elevator Inc.

**HYDRAULIC ELEVATOR
MODERNIZATION SURVEY DATA**

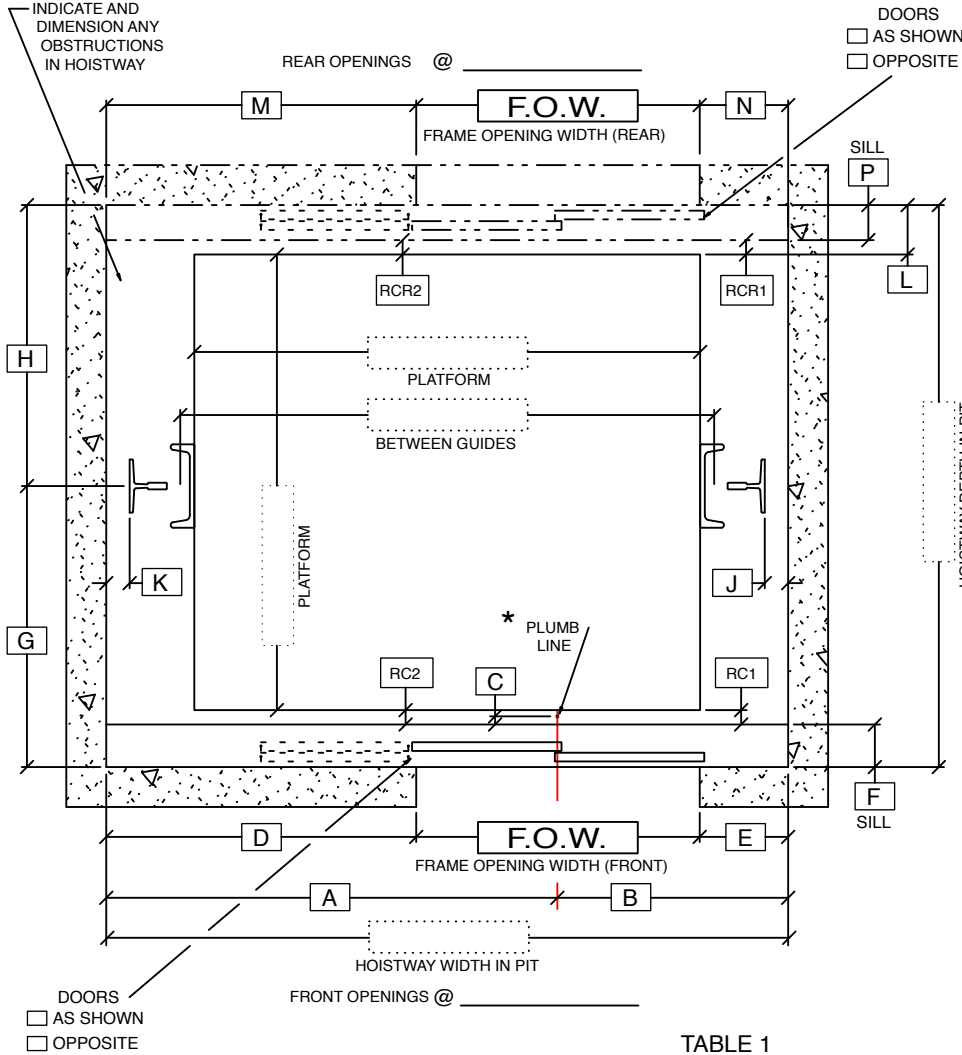
HOISTWAY DIMENSIONAL DATA - PLAN

(PASSENGER CAR HOISTWAY)
(TWO SPEED DOORS)

(Complete this page if elevator layouts are to be provided by Canton - or if new basic elevator equipment is to be provided to fit within existing hoistway.)

(This information is required when project is booked.)

NOTE: WHEN SENDING PAGES 3 THROUGH 11, PLEASE RESUBMIT A COMPLETED PAGE 1.



* Inclusion of dimensions A, B, & C is not essential, but is recommended on any modernization project where existing hatch is used and where any out of plumb conditions, or out of line conditions of entrances may affect new installation.

Indicate hall station, and COP location if applicable.

If minimum controlling dimensions are easily determined and reliably define the hoistway, then only TABLE 1 need be completed. If, however, the condition of the hoistway (plumbness, alignment etc.) is less than perfect, or if a complete survey is desired, fill out TABLE 2.

Remember - our ability to maintain our normal high level of engineering precision is dependent on the completeness and accuracy of the dimensional information supplied.

IF EXISTING OPENING FRAMES ARE TO BE REUSED DIMENSION F.O.W. MUST BE FILLED IN FOR ALL OPENINGS.

TABLE 1

(MINIMUM CONTROLLING DIMENSIONS)

F.O.W. FRONT	A	B	C	D	E	F	G	H	J	K	L	RC1	RC2	REQUIRED FOR REAR OPENING ONLY							
														F.O.W. REAR	M	N	P	RCR1	RCR2		

TABLE 2

(COMPLETE SURVEY)

FLOOR	F.O.W. FRONT	A	B	C	D	E	F	G	H	J	K	L	RC1	RC2	REQUIRED FOR REAR OPENING ONLY								
															F.O.W. REAR	M	N	P	RCR1	RCR2			

Canton Elevator Inc.

HYDRAULIC ELEVATOR MODERNIZATION SURVEY DATA

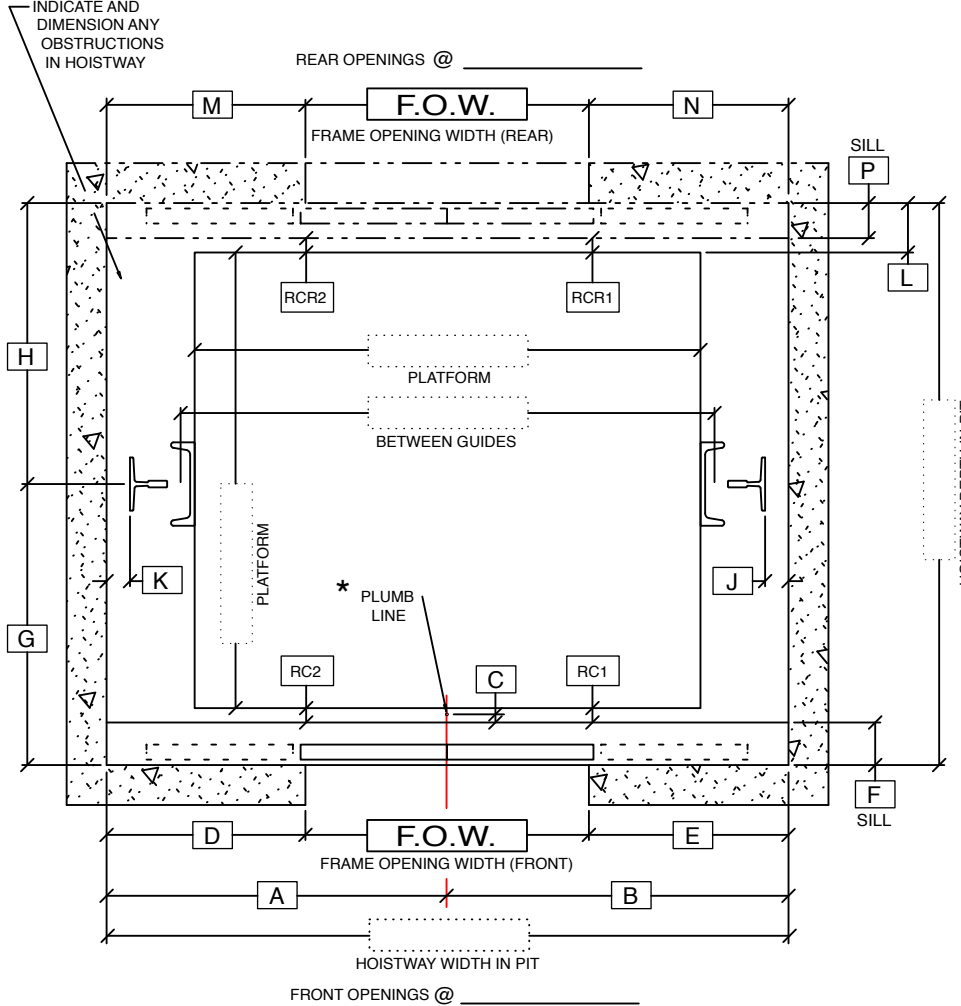
HOISTWAY DIMENSIONAL DATA - PLAN

(PASSENGER CAR HOISTWAY)
(CENTER OPENING DOORS)

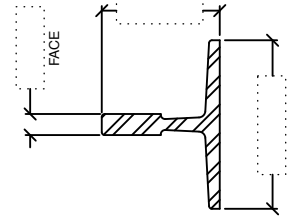
(Complete this page if elevator layouts are to be provided by Canton - or if new basic
elevator equipment is to be provided to fit within existing hoistway.)

(This information is required when project is booked.)

NOTE: WHEN SENDING PAGES 3 THROUGH 11, PLEASE RESUBMIT A COMPLETED PAGE 1.



EXISTING GUIDE RAILS (IF REUSED)
ARE: _____ #/ft
OR DIMENSION BELOW



* Inclusion of dimensions A, B, & C is not essential, but is recommended on any modernization project where existing hatch is used and where any out of plumb conditions, or out of line conditions of entrances may affect new installation.

Indicate hall station, and COP location if applicable.

If minimum controlling dimensions are easily determined and reliably define the hoistway, then only TABLE 1 need be completed. If, however, the condition of the hoistway (plumbness, alignment etc.) is less than perfect, or if a complete survey is desired, fill out TABLE 2.

Remember - our ability to maintain our normal high level of engineering precision is dependent on the completeness and accuracy of the dimensional information supplied.

IF EXISTING OPENING FRAMES ARE TO BE REUSED DIMENSION F.O.W. MUST BE FILLED IN FOR ALL OPENINGS.

TABLE 1

(MINIMUM CONTROLLING DIMENSIONS)

F.O.W. FRONT	A	B	C	D	E	F	G	H	J	K	L	RC1	RC2	REQUIRED FOR REAR OPENING ONLY						
														F.O.W. REAR	M	N	P	RCR1	RCR2	

TABLE 2

(COMPLETE SURVEY)

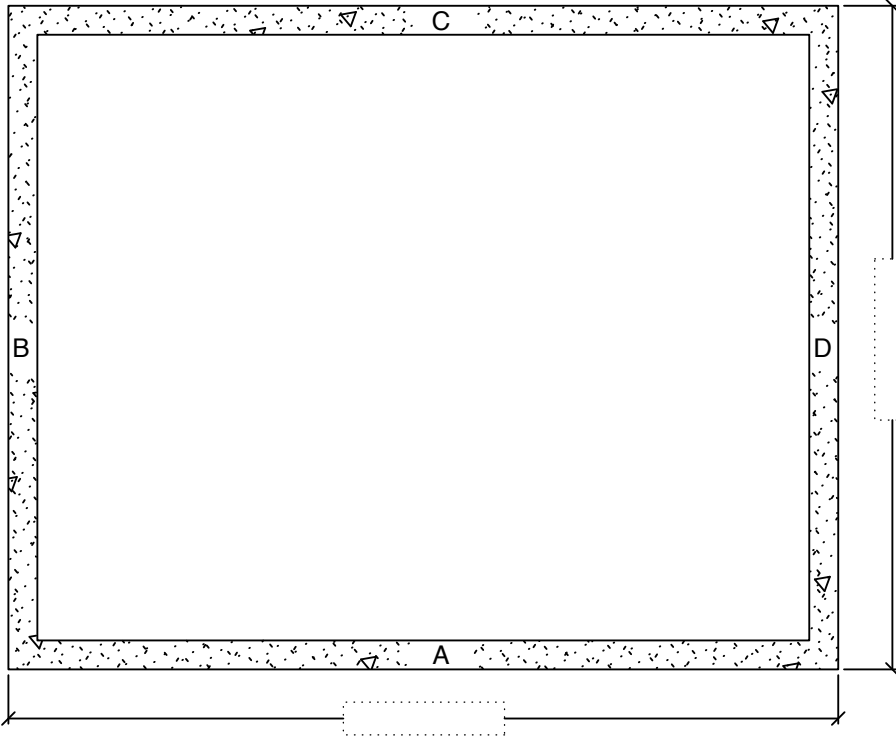
Floor	F.O.W. FRONT	A	B	C	D	E	F	G	H	J	K	L	RC1	RC2	REQUIRED FOR REAR OPENING ONLY					
															F.O.W. REAR	M	N	P	RCR1	RCR2

HYDRAULIC ELEVATOR MODERNIZATION SURVEY DATA

MACHINE ROOM LAYOUT

(Complete this page when location of machine room or equipment in machine room is a factor in modernization effort.) (This information is required when project is booked.)

NOTE: WHEN SENDING PAGES 3 THROUGH 11, PLEASE RESUBMIT A COMPLETED PAGE 1.



Indicate location of door opening and swing, and clear width of opening between stops. _____

Indicate location of disconnect switch and other existing equipment (power unit, controller(s), motor starter, etc.) if applicable.

Show any obstructions.

If applicable, show existing oil line location and size. _____

Show existing electrical conduit run to hatch - location and size. _____

Is silencer in place? _____ Indicate location.

Is silencer to be reused? _____

Is existing disconnect switch to be reused? _____

Existing disconnect switch is _____ amps.

Is machine room temperature controlled? _____

Clear height of machine room. _____

POWER UNIT

If power unit is to be reused, complete the following:

SYSTEM STATIC PRESSURE Empty Car: _____ P.S.I.

TANK: Usable oil capacity _____

MOTOR: H.P. _____

Voltage _____

F.L.A. _____

PUMP: G.P.M. _____

VALVE: Mfg./Model _____

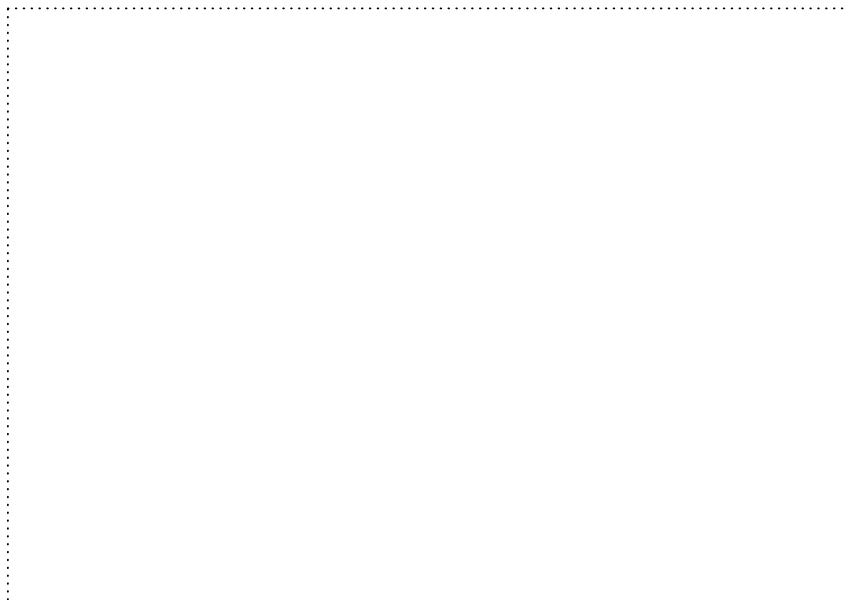
Size (if applicable) _____

Coil Voltage _____

ADDITIONAL REMARKS _____

INDICATE - HOISTWAY ADJACENT TO SIDE: A B C D or REMOTE (indicate below)

MACHINE ROOM IS @ LOWEST LANDING SERVED PIT FLOOR LEVEL OTHER FLOOR LEVEL, DESCRIBE- _____



IF MACHINE ROOM IS REMOTE FROM HOISTWAY, SKETCH AND DIMENSION THE RELATIONSHIP BETWEEN MACHINE ROOM AND HOISTWAY.

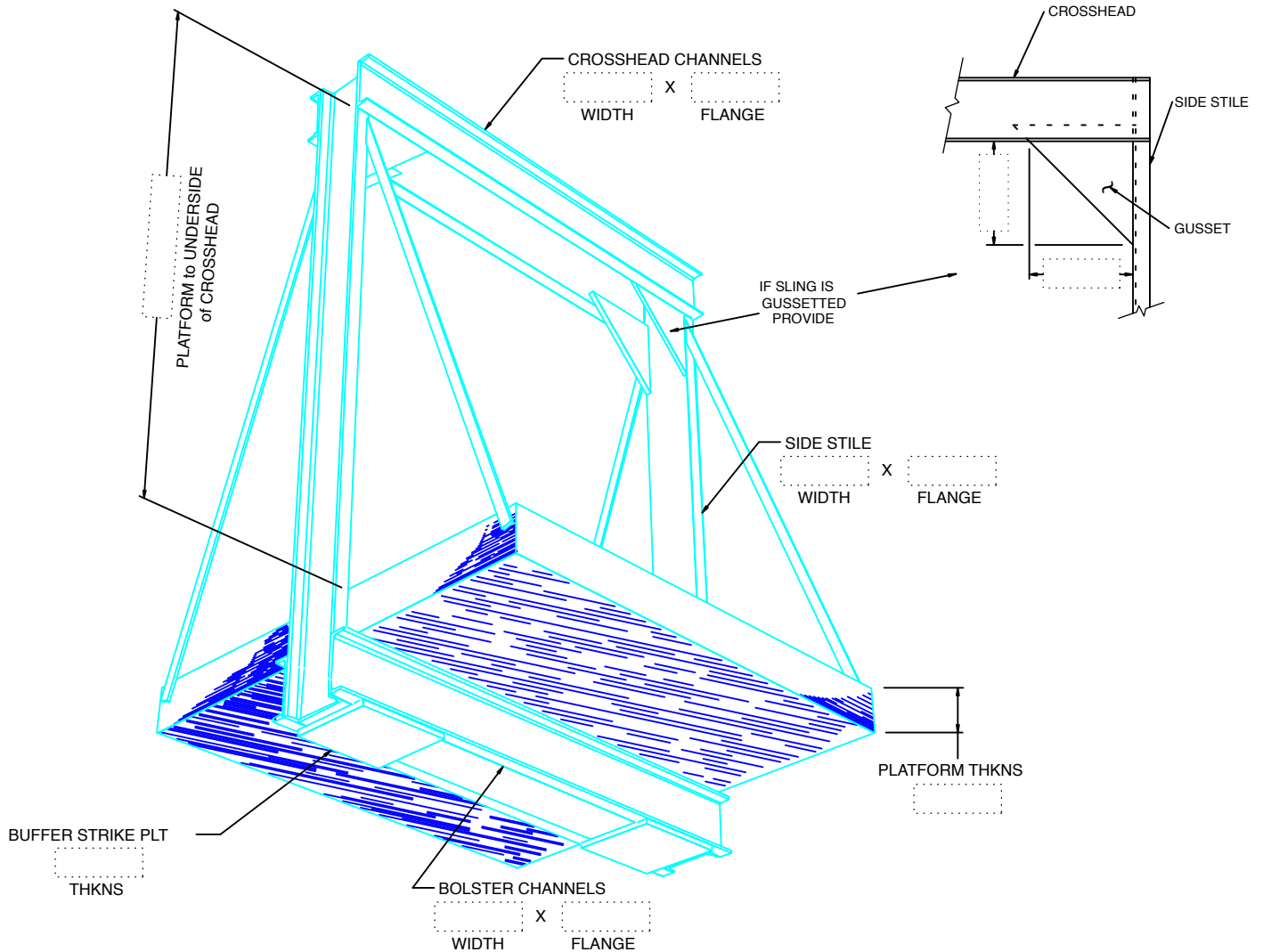
Canton Elevator Inc.

HYDRAULIC ELEVATOR
MODERNIZATION SURVEY DATA

CAR FRAME DATA

(Complete this page when existing sling & platform is to be reused,
and if dimensional information is necessary for modernization effort.)
(This information is required when project is booked.)

NOTE: WHEN SENDING PAGES 3 THROUGH 11, PLEASE RESUBMIT A COMPLETED PAGE 1.



PLATFORM (IF TO BE REUSED, DESCRIBE CONSTRUCTION): _____

TYPE OF FLOORING: _____

IS PLATFORM SOUND ISOLATED? _____

INCLUDE ANY OTHER INFO PERTINENT TO SLING & PLATFORM: _____

GUIDE SHOES: NEW REUSE

TYPE: _____

IF NEW GUIDE SHOES ARE TO BE FURNISHED, SHOW MOUNTING ARRANGEMENT IF APPLICABLE.

Large dashed rectangular box for drawing mounting arrangements for guide shoes.

Canton Elevator Inc.

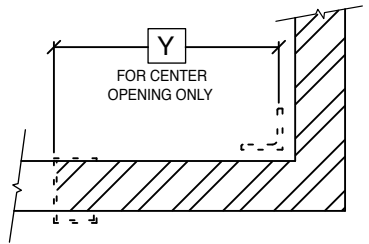
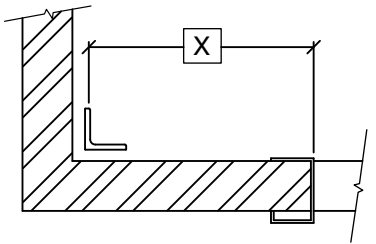
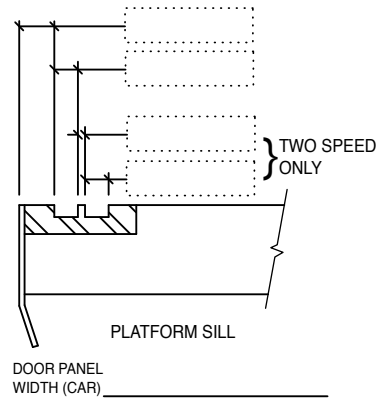
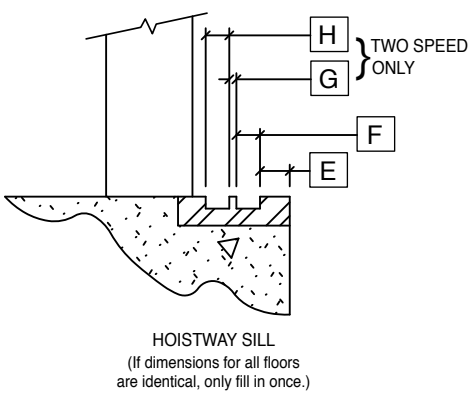
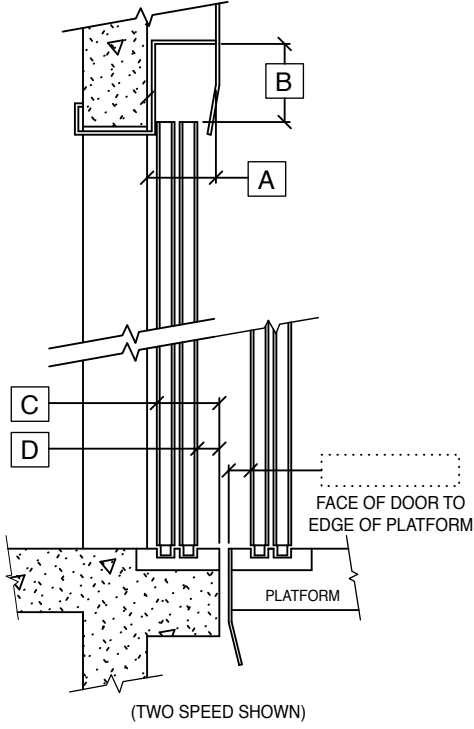
**HYDRAULIC ELEVATOR
MODERNIZATION SURVEY DATA**

PASSENGER HOISTWAY and CAR DOOR ARRANGEMENT

(Complete this page if existing hoistway entrances and/or car doors are to be reused - with new operator equipment and/or new door panels to be provided.)
 (Complete this page for estimating purposes when job is booked unless new equipment is to be identical to original, or if you are confident that existing space limitations are sufficient to adapt new equipment.)
 NOTE: WHEN SENDING PAGES 3 THROUGH 11, PLEASE RESUBMIT A COMPLETED PAGE 1.

IF DIMENSIONS FOR ALL FLOORS ARE IDENTICAL, ONLY FILL IN ONCE

FLOOR	A	B	C	D	E	F	G	H	DOOR PANEL WIDTH-HOISTWAY



FLOOR	FRONT		REAR	
	X	Y	X	Y

REMARKS: _____

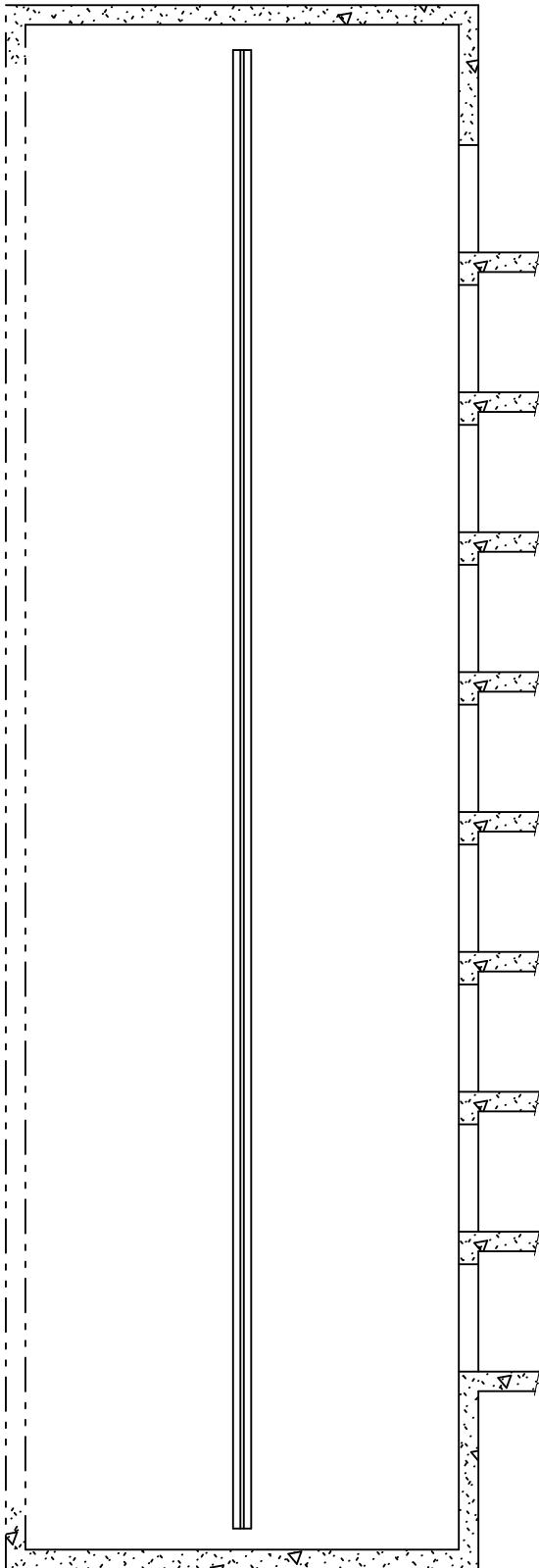
Canton Elevator Inc.

HYDRAULIC ELEVATOR MODERNIZATION SURVEY DATA

HOISTWAY WIRING ARRANGEMENT

(Complete this page if replacement of, or modification to wiring materials is required for this project.) (This information is required when project is booked.)

NOTE: WHEN SENDING PAGES 3 THROUGH 11, PLEASE RESUBMIT A COMPLETED PAGE 1.



HATCH SWITCHES - NUMBER, TYPE, AND CONTACTS (N.O. or N.C.):

@ TERMINALS _____

@ INTERMEDIATE _____

LEVELING SWITCHES ON CAR - NUMBER, TYPE & CONTACT (N.O. or N.C.)

IS DOOR ZONE SWITCH INCLUDED: _____

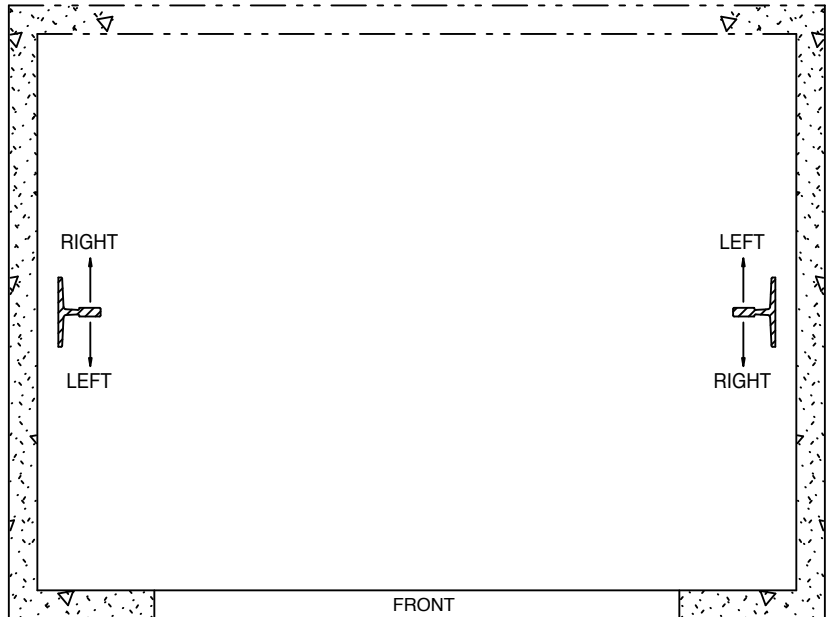
DOES PRESENT JOB HAVE:

CAR TOP INSPECTION SWITCH _____

PIT STOP SWITCH _____

IF THE POSSIBILITY OF REUSING TRAVEL CABLE EXISTS, INDICATE THE NUMBER OF WIRES OF THE CURRENT TRAVEL CABLE _____

PAIRS OF PHONE WIRES: _____



SKETCH PRESENT LOCATION AND SIZE OF WIRING MATERIALS AND DEVICES THAT ARE TO BE REUSED. INDICATE LOCATION OF HALL AND CAR STATIONS. IF POSSIBLE, SHOW ANY OBSTRUCTIONS OR VARIATIONS IN HATCH THAT WOULD AFFECT MODERNIZATION. INDICATE RIGHT OR LEFT HAND WIREWAY/ CAR TOP BOX REQUIRED. INDICATE ON PAGE 5 OF THIS SURVEY THE RELATIONSHIP BETWEEN THE MACHINE ROOM AND THE HOISTWAY.

REMARKS _____

HYDRAULIC ELEVATOR
MODERNIZATION SURVEY DATA

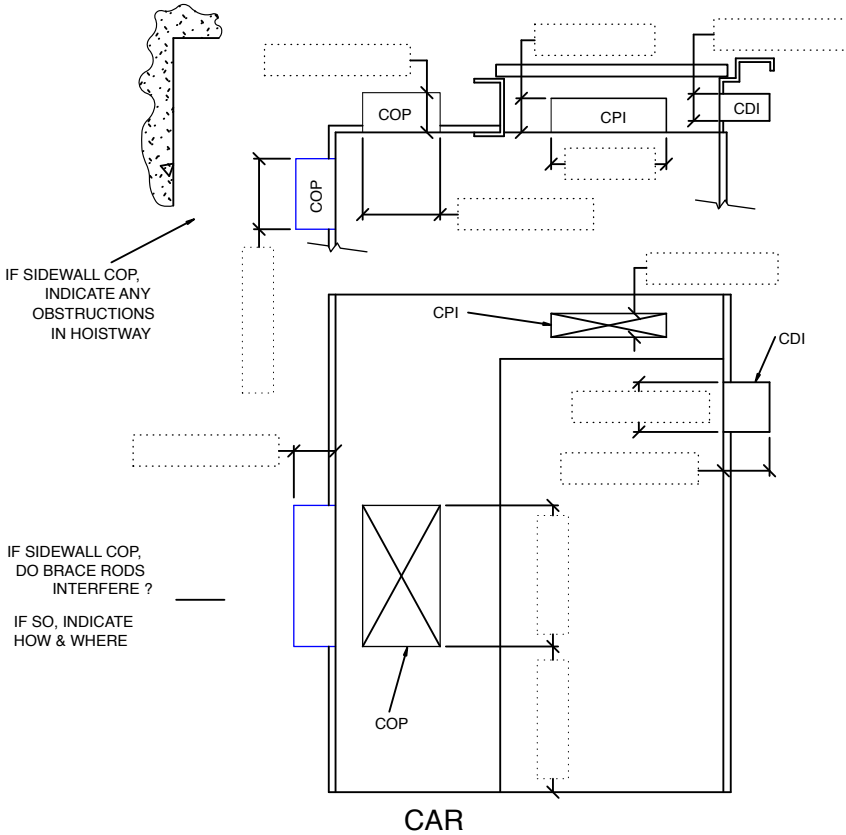
SIGNAL FIXTURE INFORMATION

(Complete this page if modernization project requires new fixtures to be installed in existing openings or boxes.)

(This information is required when project is booked or if required for estimating purposes.)

NOTE: WHEN SENDING PAGES 3 THROUGH 11, PLEASE RESUBMIT A COMPLETED PAGE 1.

ALL DIMENSIONS ARE TO BE CUTOUT OR BOX SIZES

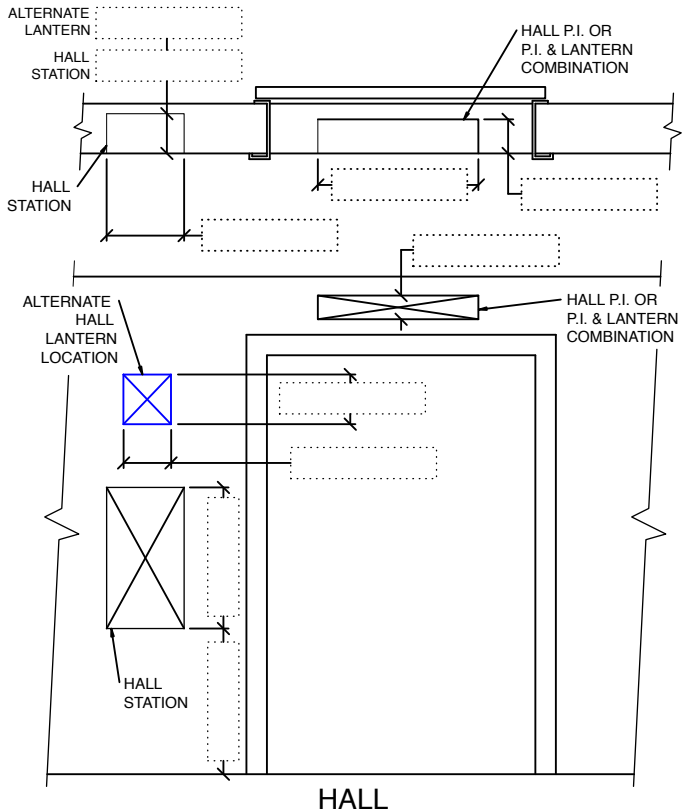


EXISTING OPENINGS OR BOXES TO BE REUSED:

- Car Operator Panel
- Fire Switch present
- Car Position Indicator
- Car Direction Indicator

Indicate the dimensions of the openings or boxes as applicable.

REMARKS _____



EXISTING OPENINGS OR BOXES TO BE REUSED:

- Hall Station
- Fire Switch present
- Access Switch present
- Hall P.I. and Lantern Comb.
- OR
- Hall Position Indicator
- Hall Lantern

Indicate the dimensions of the openings or boxes as applicable. If opening sizes are not identical between all floors, indicate differences in the remarks section below.

REMARKS _____

HYDRAULIC ELEVATOR
MODERNIZATION SURVEY DATA

JACK UNIT DIMENSIONAL DATA

(Complete this page if jack unit is to be replaced, or if slip casing is to be provided for existing jack.)
(This information is required when job is booked.)

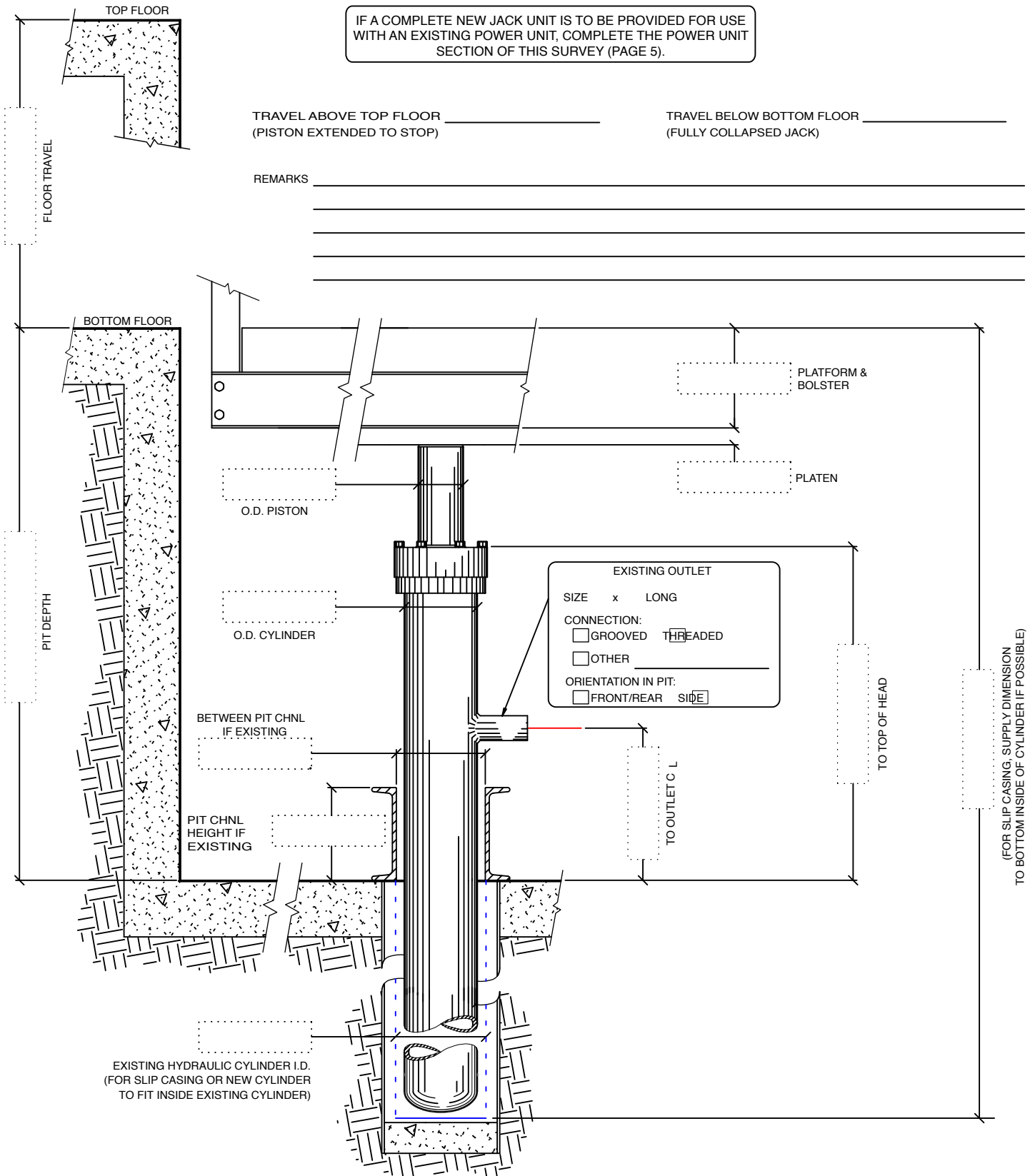
NOTE: WHEN SENDING PAGES 3 THROUGH 11, PLEASE RESUBMIT A COMPLETED PAGE 1.

IF A COMPLETE NEW JACK UNIT IS TO BE PROVIDED FOR USE
WITH AN EXISTING POWER UNIT, COMPLETE THE POWER UNIT
SECTION OF THIS SURVEY (PAGE 5).

TRAVEL ABOVE TOP FLOOR _____
(PISTON EXTENDED TO STOP)

TRAVEL BELOW BOTTOM FLOOR _____
(FULLY COLLAPSED JACK)

REMARKS _____



(FOR SLIP CASING, SUPPLY DIMENSION
TO BOTTOM INSIDE OF CYLINDER IF POSSIBLE)

Canton Elevator Inc.

HYDRAULIC ELEVATOR MODERNIZATION SURVEY DATA

CONTROLLER DATA

(Complete this page if a new controller is to be furnished.) (This information is required when project is booked, or if needed for estimating purposes.) NOTE: WHEN SENDING PAGES 3 THROUGH 11, PLEASE RESUBMIT A COMPLETED PAGE 1.

GENERAL

Number of elevators _____ Type: Passenger [] Freight [] Other _____ Hydro [] Traction []

SWITCHES

Leveling switches and vanes _____ Intermediate floor hatch switches _____ Floor selector by _____ Other _____

OPERATION

Constant pressure [] Single automatic [] Call & send [] Collective [] Selective Collective [] Duplex [] Triplex [] Other _____ Microprocessor [] Relay logic []

SIGNALS

Signal voltage _____ Call register lights [] In use lights [] Car P.I. [] Direction arrows [] Dig. [] Std. [] Passing floor gong [] Hall P.I. @ _____ Direction arrows [] Dig. [] Std. [] Car direction indicator [] Handicap gong [] Hall Lantern @ _____ Handicap gong [] Programmer by _____ Door open bell [] Up run bell [] Car arrival lights [] Gong [] Other _____

POWER, MOTOR, & VALVE DATA

_____ Volts _____ Phase _____ Hz HP _____ F L Amps _____ Valve _____ Valve coils _____ X-Line start [] Y-Delta start [] Staggered start []

ADDED FEATURES

Top of car inspection [] In car inspection switch [] Fire service phase [] I [] I & II [] Other than ANSI _____ Car key switch: 2 position [] 3 Position [] Main floor return _____ Alternate floor _____ Independent service [] Attendant service [] U.L. Label [] Reverse phase relay [] Access switches: Top [] Bottom [] Load weight device [] By-pass [] Emergency power [] Return to _____ & shut down, or Car runs on emergency power [] Battery operated rescue unit [] Special cabinet [] Describe: _____ Hospital service [] Low oil connections for pressure switch []

DOORS

Door operator Mfr _____ Type _____ Selective door operation @ _____ Door nudging [] Differential Car/Hall Door Time [] Photo eyes [] Timed photo eye cutout [] Retiring Cam by _____ Front [] Rear [] Voltage _____ Other _____

REMARKS

REMARKS