



MILLER[®]

by Honeywell

Vi-Go Vertical Cable Lifeline Systems

User Instruction Manual

Manuel D'utilisation / Manual de Instrucciones para El Usuario

Table of Contents

1.0 Purpose.....	3
2.0 General Requirements, Warnings and Limitations.....	3-4
2.1 General Fall Protection Warnings	
2.2 System Warnings and Limitations	
3.0 System Requirements.....	5
4.0 System Diagrams and Description of Components.....	6-8
4.1 Vi-Go AUTOMATIC PASS-THROUGH System	
4.2 Vi-Go MANUAL PASS-THROUGH System	
4.3 System Replacement Parts	
5.0 System Installation.....	8-14
5.1 Installation of Top Bracket Assembly	
5.2 Installation of Cable to Top Bracket Assembly	
5.3 Installation of Intermediate Cable Guides	
5.4 Installation of Bottom Bracket Assembly	
5.5 Installation of Cable and Tensioning Assembly to Bottom Bracket Assembly	
5.6 Options for Terminating Cable in the Field	
5.7 Optional Vi-Go Anchorage Connector	
6.0 System Operation.....	14
7.0 Training.....	14
8.0 Inspection and Maintenance.....	15
Product Labels.....	44
Inspection and Maintenance Log.....	45
Notes.....	46
Warranty.....	47
Directives d'utilisation – Français.....	16-29
Instrucciones Para El Usuario - Español.....	30-43

Thank You

Thank you for your purchase of Miller fall protection equipment manufactured by Honeywell Safety Products. Miller brand products are produced to meet the highest standards of quality at our ISO 9001 certified facility. Miller equipment will provide you with years of use when cared for properly.

WARNING

All persons using this equipment must read, understand and follow all instructions. Failure to do so may result in serious injury or death. Do not use this equipment unless you are properly trained.

Questions?

CALL
1.800.873.5242

It is crucial that the authorized person/user of this equipment read and understand these instructions. In addition, federal law requires employers to ensure that all users are trained in the proper installation, use, inspection, and maintenance of fall protection equipment. Fall protection training should be an integral part of a comprehensive safety program.

Proper use of fall arrest systems can save lives and reduce the potential of serious injuries from a fall. The user must be aware that forces experienced during the arrest of a fall or prolonged suspension may cause bodily injury. Consult a physician if there is any question about the user's ability to use this product. Pregnant women and minor children must not use this product.

1.0 Purpose

Vi-Go Vertical Cable Lifeline Systems are innovative climbing and fall arrest systems that provide superior fall protection for fixed ladder applications.

2.0 General Requirements, Warnings and Limitations

2.1 General Fall Protection Warnings

All warnings and instructions shall be provided to authorized persons/users. Warnings and instructions must be read and understood prior to using this equipment.

All authorized persons/users must reference the regulations governing occupational safety, as well as applicable standards (i.e, ANSI or CSA). Refer to product labeling for information on specific OSHA regulations, and ANSI and CSA standards met by this system.

Proper precautions should always be taken to remove any obstructions, debris, material, or other recognized hazards from the work area that could cause injuries or interfere with the operation of the system.

All equipment must be inspected before each use according to the manufacturer's instructions.

All equipment should be inspected by a qualified person on a regular basis.

To minimize the potential for accidental disengagement, a competent person must ensure system compatibility.

Equipment must not be altered in any way. Repairs must be performed only by the equipment manufacturer, or persons or entities authorized, in writing, by the manufacturer.

Any product exhibiting deformities, unusual wear, or deterioration must be immediately discarded.

Do not use if the unit or any part of the system appears to be damaged.

Any equipment subject to a fall must be removed from service.

The user shall have a rescue plan and the means at hand to implement it when using this equipment.

Never use fall protection equipment for purposes other than those for which it was designed. Fall protection equipment should never be used for towing or hoisting.

Never remove product labels, which include important warnings and information for the authorized person/user.

2.2 System Warnings and Limitations

System Compatibility

Vi-Go Vertical Cable Lifeline Systems are designed for use with Honeywell-approved components. Substitution or replacement with non-approved component combinations, sub-systems, or both, may affect or interfere with the safe function of each other and endanger the compatibility within the system. This incompatibility may affect the reliability and safety of the total system.

Vi-Go Systems must be used in conjunction with a Vi-Go Cable Sleeve with auto-locking carabiner (or other Honeywell-approved connector) and a Miller full-body harness equipped with a front attachment point designated for ladder climbing.

[NOTE: All instructions and warnings provided with the cable sleeve, connector and harness must be read and understood before using the equipment.]

System Capacity

A maximum of four users may simultaneously be connected to a Vi-Go Vertical Cable Lifeline System so long as the load-bearing capacity of the base structure is adequate. For Vi-Go Systems using the 10 ft. (3m) top bracket assembly, the number of users is limited to two.

The distance between users must not be less than 5-1/4 ft. (1.6m) to ensure that, in the event of a fall, the person falling will not strike a user below. *(Note: According to ANSI A14.3, only one worker may be on the system between cable guides.)*

Fall Clearance

Ensure that adequate clearance exists in the fall path to avoid striking a lower level, some other object, or another user.

Environmental Hazards

Use of this equipment in areas where environmental hazards exist may require additional precautions to limit the possibility of injury to the user or damage to the equipment. Hazards may include, but are not limited to, extreme temperatures, caustic chemicals, corrosive environments, high voltage power lines, explosive or toxic gases, moving machinery, and sharp edges. Do not expose the equipment to any hazard which it is not designed to withstand. Consult the manufacturer in cases of doubt.

- Ensure that the system is free of grease, oil and ice.
- Cable lifeline must be kept clean.
- Use of this system is not suitable when the user is positioned on an unstable surface, fine-grain material, or particulate.

3.0 System Requirements

Before installation of a Vi-Go System, the structure or ladder on which the system is to be affixed must be certified to be capable of withstanding the potential loads that may be applied in the event of a fall arrest and must meet the specified ladder requirements.

Ladder Requirements

A ladder must be a fixed ladder with rungs having outer diameters between 3/4 inch and 1-1/8 inches. According to ANSI A14.3, the minimum width of the ladder should be 18 inches from inside rail to inside rail.

A system may be attached to square, diamond or L-shaped (angle iron) rungs so long as the rungs meet the minimum 3/4 inch and maximum 1-1/8 inches outer diameter requirements. A spacer may be required for angle iron installations. Please contact Honeywell Technical Service at 800-873-5242 for additional information and installation assistance.

Top Bracket

Connection loads include system pretension and forces generated by arresting a fall. The load requirements vary due to number of users on the system and installation to the structure (i.e., number of rung clamp assemblies used).

For calculation purposes in determining the load each ladder rung must be able to withstand, assume the maximum load on each bracket is distributed evenly throughout the number of top bracket rung clamp assemblies. [Example: Based on a single-user system with the top bracket installed with three rung connections, the assumed load for each rung would be 1,100 lbs. (3,300/3).] An additional top bracket rung clamp assembly can be purchased separately and used to spread the load requirements over four (4) rungs rather than three (3). [Example: For a system with two (2) users the loads transmitted to each rung is reduced from 1,267 lbs. (3,800/3) to 950 lbs. (3,800/4).]

Number of Simultaneous Users	Maximum Load (lbs.)*
<i>For Vi-Go AUTOMATIC and MANUAL Systems:</i>	
1	3,300 lbs.
2	3,800 lbs.
3	4,300 lbs.
4	4,800 lbs.

****The maximum load calculations provide a 2:1 safety factor.***

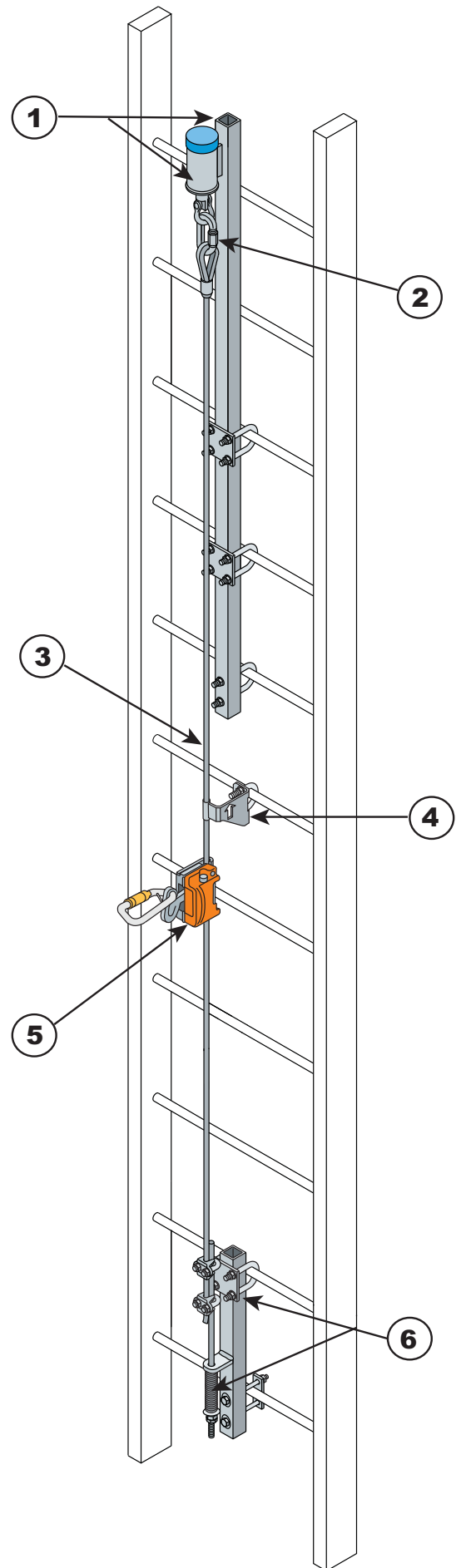
Bottom Bracket

The bottom bracket connection must be capable of supporting a system load of 750 lbs. in the direction of loading.

4.0 System Diagrams and Description of Components

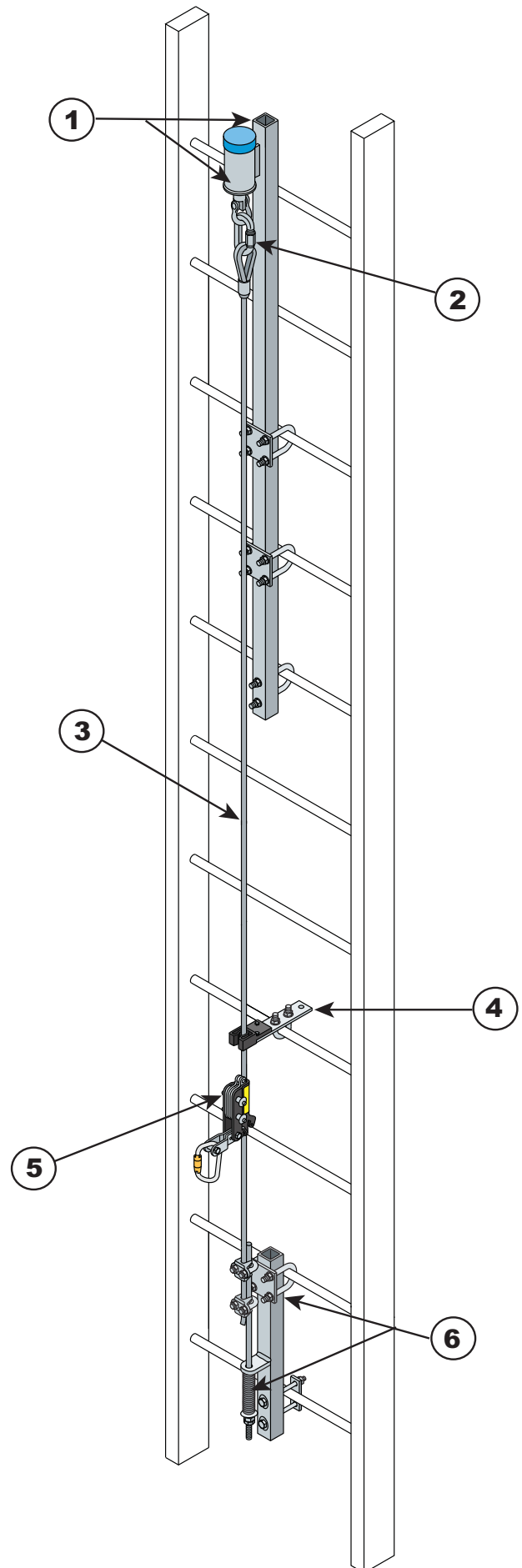
4.1 Vi-Go AUTOMATIC PASS-THROUGH System

- 1) Top Bracket Assembly with Inline Shock Absorber
 - Inline shock absorber reduces the forces imposed on the system and structure in the event of a fall.
 - May be installed to extend above the ladder to allow workers to step safely onto the platform without disconnecting from the lifeline for maximum protection.
 - Also available with a 7 ft. (2m) or 10 ft. (3m) top bracket.
- 2) Quick Link
 - Provides a quick and easy connection of the lifeline to the inline shock absorber.
- 3) Cable Lifeline
 - 3/8" galvanized steel cable lifeline.
- 4) Automatic Pass-Through Cable Guide
 - Holds the cable in position, preventing it from moving excessively in windy conditions and from coming in contact with the ladder or structure.
 - Accommodates curved structures.
 - Automatic pass-through feature allows the Vi-Go Automatic Pass-Through Cable Sleeve to bypass guide without manual assistance, offering the user greater comfort through hands-free trailing, quicker climbing and descending, and the highest level of safety.
- 5) Vi-Go Automatic Pass-Through Cable Sleeve
 - **Cable sleeve purchased separately. Available with integral swivel and auto-locking carabiner, with the carabiner only, or without a connector.**
 - Stainless steel construction offers corrosion-resistance.
 - Quick and easy to install with absolute single-hand operation.
 - Integrated mechanism prevents upside-down installation of the cable sleeve to the cable.
 - Hands-free trailing while climbing and descending.
 - Spring-activated mechanisms always move device back to initial position.
 - Dual locking mechanism prevents accidental unlocking of the cable sleeve from the cable.
 - Locks instantly in the event of a fall.
 - Built-in shock absorber/fall indicator further reduces fall arrest forces and provides for ease of inspection.
- 6) Bottom Bracket Assembly with Lifeline Tensioner
 - Dual function lifeline tensioner indicates when the lifeline is properly adjusted and prevents ladder rung deformation.



4.2 Vi-Go MANUAL PASS-THROUGH System

- 1) Top Bracket Assembly with Inline Shock Absorber
 - Inline shock absorber reduces the forces imposed on the system and structure in the event of a fall.
 - May be installed to extend above the ladder to allow workers to step safely onto the platform without disconnecting from the lifeline for maximum protection.
 - Also available with a 7 ft. (2m) or 10 ft. (3m) top bracket.
- 2) Quick Link
 - Provides a quick and easy connection of the lifeline to the inline shock absorber.
- 3) Cable Lifeline
 - 3/8" galvanized steel cable lifeline.
- 4) Manual Pass-Through Cable Guide
 - Holds the cable in position, securing it away from the ladder or structure.
 - Fully convertible to accommodate low and high wind conditions.
 - Manual pass-through feature requires cable to be released from the clamping position before the cable sleeve can pass by it.
- 5) Vi-Go Manual Pass-Through Cable Sleeve
 - **Cable sleeve purchased separately. Available with integral swivel and auto-locking carabiner, with the carabiner only, or without a connector.**
 - Easily attaches to the cable and offers hands-free trailing operation between intermediate cable guides.
 - Locks instantly in the event of a fall.
- 6) Bottom Bracket Assembly with Lifeline Tensioner
 - Dual function lifeline tensioner indicates when the lifeline is properly adjusted and prevents ladder rung deformation.



4.3 System Replacement Parts

Part No.	Component	Description
TRTB	Top Bracket Assembly	5 ft. (1.5m) galvanized steel bracket (1-1/2" x 1-1/2" tube) includes inline shock absorber with shackle, two rung clamp assemblies (each w/4-hole mounting plate for 1-1/2" tube, two 3/8"-16 x 1-5/8" x 3-1/2" U-bolts, four 3/8" lockwashers, and four 3/8"-16 hex nut fasteners), and bottom rung clamp assembly (w/3/8"-16 x 1-5/8" x 3-1/2" U-bolt, two 3/8" lockwashers, two 3/8"-16 hex nut fasteners and two fastener caps).
TRTB-7	7 ft. (2m) Top Bracket Assembly	7 ft. (2m) galvanized steel bracket (2" x 2" tube) includes inline shock absorber with shackle, two rung clamp assemblies (each w/4-hole mounting plate for 2" tube, two 3/8"-16 x 1-5/8" x 3-1/2" U-bolts, four 3/8" lockwashers, and four 3/8"-16 hex nut fasteners), and bottom rung clamp assembly (w/two 3/8"-16 x 4" bolts, two 3/8" flat washers, 2-hole mounting plate, two 3/8" lockwashers, and two 3/8"-16 hex nut fasteners).
TRTB-10	10 ft. (3m) Top Bracket Assembly	10 ft. (3m) galvanized steel bracket (2" x 2" tube) includes inline shock absorber with shackle, two rung clamp assemblies (each w/4-hole mounting plate for 2" tube, two 3/8"-16 x 1-5/8" x 3-1/2" U-bolts, four 3/8" lockwashers, and four 3/8"-16 hex nut fasteners), and bottom rung clamp assembly (w/two 3/8"-16 x 4" bolts, two 3/8" flat washers, 2-hole mounting plate, two 3/8" lockwashers, and two 3/8"-16 hex nut fasteners).
TRRCA	Extra Rung Clamp Assembly (for 5 ft. top bracket)	Includes 4-hole mounting plate for 1-1/2" tube, two 3/8"-16 x 1-5/8" x 3-1/2" U-bolts, four 3/8" lockwashers, and four 3/8"-16 hex nut fasteners
TRRCA-10	Extra Rung Clamp Assembly (for 7ft. & 10 ft. top brackets)	Includes 4-hole mounting plate for 2" tube, two 3/8"-16 x 1-5/8" x 3-1/2" U-bolts, four 3/8" lockwashers, and four 3/8"-16 hex nut fasteners
TRLL	Cable Lifeline	3/8" diameter galvanized steel cable with thimble. Various lengths available.
TRQL	Quick Link	Galvanized steel quick-link used for connecting cable to shackle on inline shock absorber.
VGCG	Automatic Pass-Through Cable Guide	Galvanized steel cable guide bracket includes M10-1.5mm x 1-1/2" x 2-9/16" U-bolt, two M10 flat washers and two M10-1.5mm locknuts.
TRCG	Manual Pass-Through Cable Guide	Galvanized steel cable bracket with convertible polyurethane cable retainer head includes 3/8"-16 x 1-1/4" x 2" U-Bolt, two 3/8" lockwashers, two 3/8"-16 hex nuts, two 1/4"-20 x 1-1/4" bolts, four 1/4" flat washers, and two 1/4"-20 locknuts.
TRBB	Bottom Bracket Assembly	Galvanized steel bracket (1-1/2" x 1-1/2" tube) includes rung clamp assembly (w/4-hole mounting plate for 1-1/2" tube, two 3/8"-16 x 1-5/8" x 3-1/2" U-bolts, four 3/8" lockwashers, and four 3/8"-16 hex nut fasteners), bottom rung clamp assembly (w/two 3/8"-16 x 3" bolts, two 3/8" flat washers, 2-hole mounting plate, two 3/8" lockwashers, and two 3/8"-16 hex nut fasteners), and tensioning rod assembly (w/compression spring, two saddle clips, 7/16" washer, and six 7/16"-14 hex nut fasteners).
Model No.	Cable Sleeve	
VGCS	Vi-Go Automatic Pass-Through Cable Sleeve [Also available with carabiner (VGCS-C) or with integral swivel and carabiner (VGCS-SC)]	
TRCS	Vi-Go Manual Pass-Through Cable Sleeve [Also available with carabiner (TRCS-C) or with integral swivel and carabiner (TRCS-SC)]	

5.0 System Installation

- Before installation, carefully inspect all components of the system according to the manufacturer's instructions (see 8.0 Inspection and Maintenance). Do not use if there are any damaged or missing parts (see 4.3 System Replacement Parts).
- Ensure that the structure/ladder on which the Vi-Go System is to be affixed is capable of withstanding loads resulting from a fall (see 3.0 System Requirements).
- For ease of installation, the Vi-Go Installation Kit (TRIK) may be purchased separately. Contact your Miller distributor.

WARNING: Personal fall protection is required during installation. Persons installing the system must use caution and shall not be exposed to a fall hazard during the installation procedure. Do not connect to any component of a partially installed system.



System Installation Overview: The recommended installation procedure of the Vi-Go Vertical Cable Lifeline System is to install from the top of the ladder down.

Tools Required for Installation: Torque wrench, standard sockets--7/8" and 3/4", deep socket--9/16", standard wrenches--7/16", 11/16" and 3/4", crowfoot wrench--17mm (for part VGCG only), cable cutters--minimum 3/8" capacity needed (5/8" capacity preferred), and a tape measure.

5.1 Installation of Top Bracket Assembly

The top bracket assembly may be installed to extend above the ladder to allow workers to step safely onto the platform without disconnecting from the lifeline. It is recommended to be mounted at the center of the ladder for ease of use and access, but can be installed toward the side of the ladder if required.

For typical installation of the 5 ft. (1.5m) top bracket assembly, refer to Figure 1a. This installation configuration will accommodate up to four (4) users simultaneously. The 7 ft. (2m) and 10 ft. (3m) top bracket assemblies are installed as shown in Figure 1b. **[Note: All systems using the 10 ft. (3m) top bracket assembly are limited to two (2) users.]**

An extra rung clamp assembly may be used in the installation of the top bracket to lower the loads transmitted to each ladder rung (see Fig. 1c).

For systems limited to one (1) user, the 5 ft. (1.5m) top bracket may be installed with two rung clamp assemblies (see Fig. 1d). Ensure the ladder will withstand the loads between the two rungs.

1. Place the top bracket against the rungs of the ladder at the desired height (see either Fig. 1a or 1b). Install bottom rung clamp assembly first.

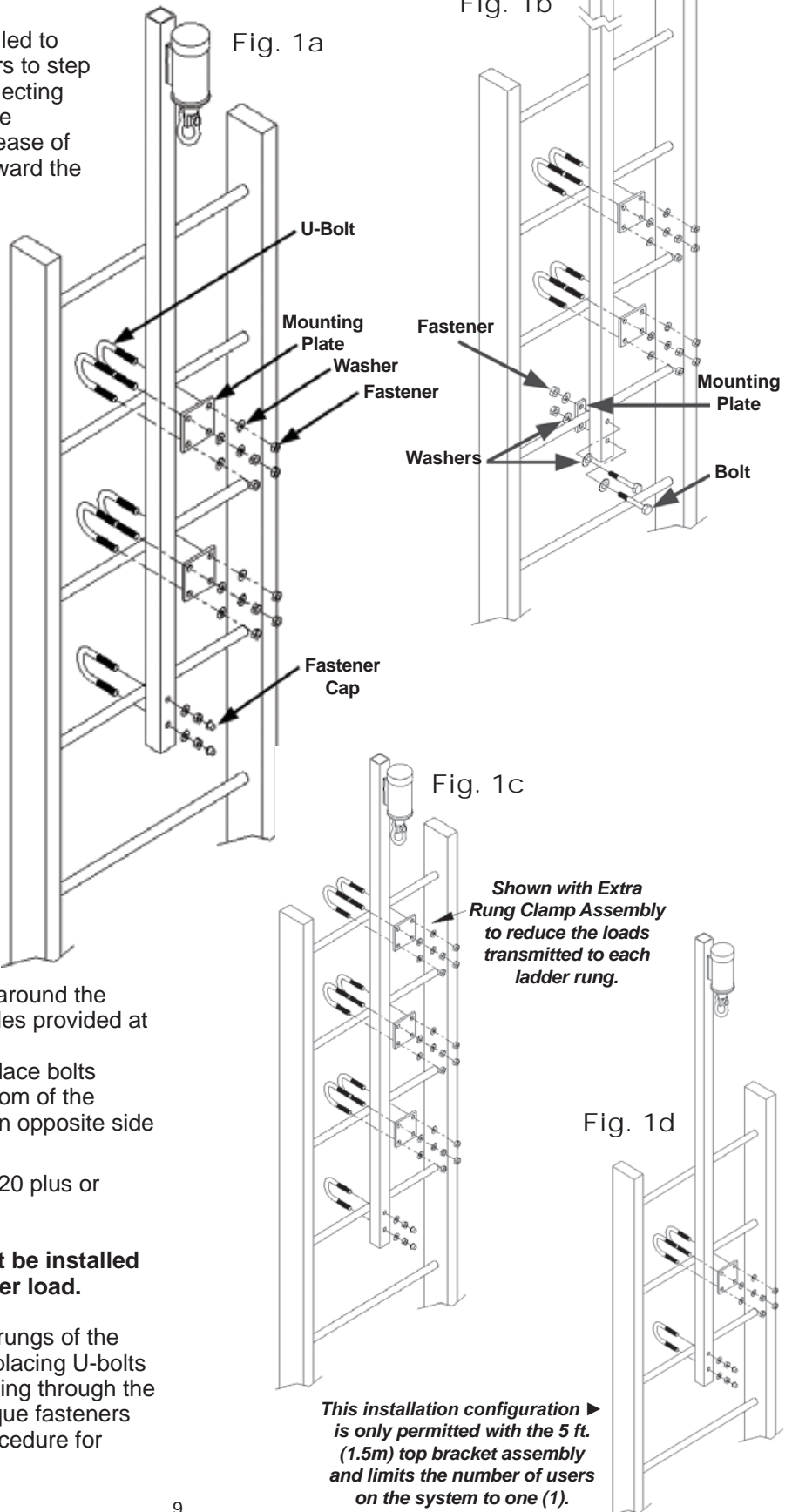
For 5 ft. (1.5m) bracket: Place U-bolt around the rung of the ladder and through the holes provided at the bottom of the bracket.

For 7 ft. (2m) or 10 ft. (3m) bracket: Place bolts through the holes provided at the bottom of the bracket and through mounting plate on opposite side of ladder rung as shown.

Install washers and torque fasteners to 20 plus or minus 2 ft. lbs.

WARNING: The bottom U-clamp must be installed correctly or the bracket may slip under load.

2. Continue to hold bracket against the rungs of the ladder. Install rung clamp assembly by placing U-bolts around the rung of the ladder and inserting through the mounting plate. Install washers and torque fasteners to 20 plus or minus 2 ft. lbs. Repeat procedure for remaining rung clamp assemblies.



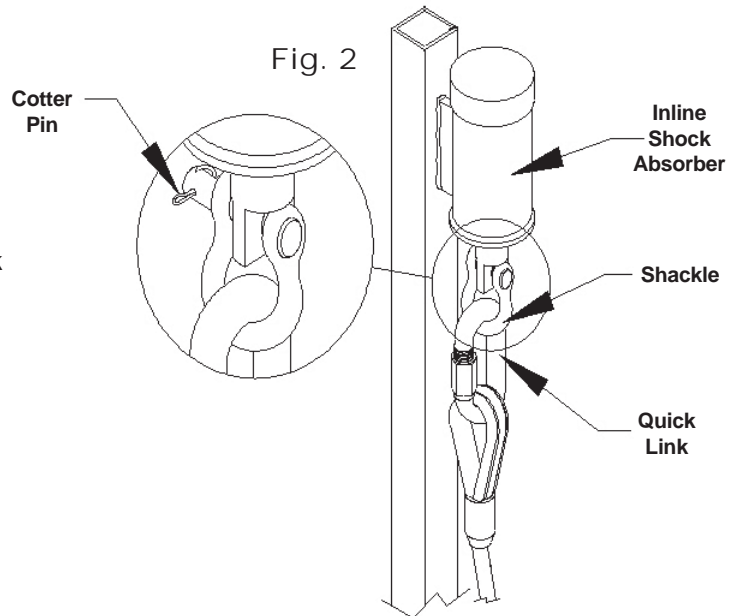
5.2 Installation of Cable to Top Bracket Assembly

Use only Honeywell-approved cable. Inspect cable before installation. Do not install damaged cable. Safety glasses and gloves should be worn when handling cable.

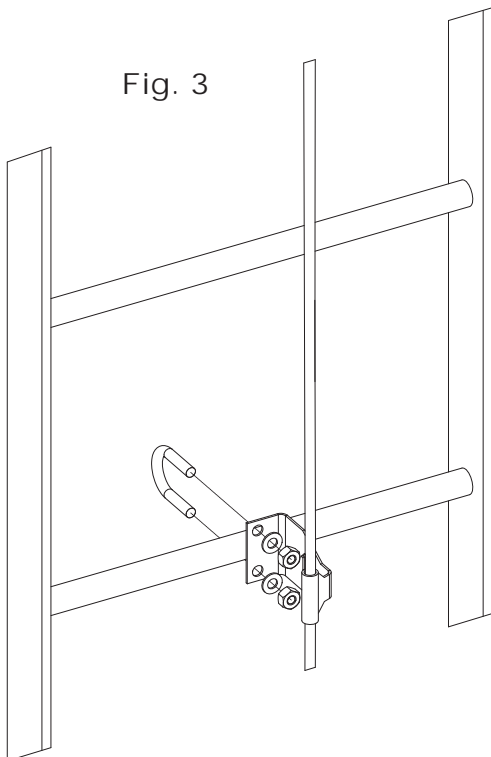
When cutting the cable on site during the installation procedure is preferred or necessary, refer to 5.6 Options for Terminating Cable in the Field. **WARNING: All instructions and warnings provided with the cable termination fittings must be read and understood before using the equipment.**

1. Install quick link to cable thimble (see Fig. 2).
2. Then connect quick link with cable to the shackle on the underside of the inline shock absorber. Tighten quick link until snug. Do not use if quick link does not close and tighten.

NOTE: Ensure the cotter pin is through the shackle bolt and bent over so that it will not back out. DO NOT USE SYSTEM IF COTTER PIN IS MISSING.



5.3 Installation of Intermediate Cable Guides



Intermediate Cable Guides are designed to keep the climber from excessively deflecting the cable and to protect the cable from chafing against the ladder or structure. Cable guides should be placed at 25 ft. (7.6m) minimum to 40 ft. (12.2m) maximum intervals along the cable from the top bracket to the bottom bracket. Cable guides may be placed at any point along the cable that may come in contact with the ladder or structure. For installations in situations of vibration or high wind, consideration should be given to placing the intermediates closer together.

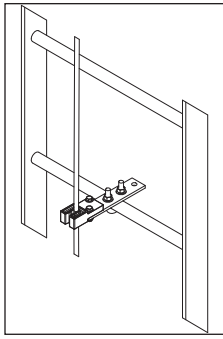
AUTOMATIC Pass-Through Cable Guides

1. Place intermediate cable guide against ladder rung (see Fig. 3).
2. Install U-bolt around ladder rung and through holes provided in guide as shown.
3. Install washers and torque fasteners to 20 plus or minus 2 ft. lbs.

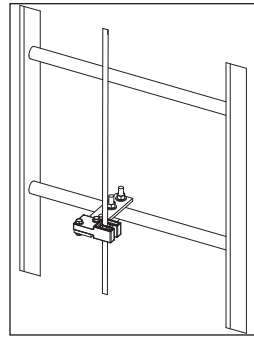
MANUAL Pass-Through Cable Guides

Typical Installation

1. Place cable guide on top of ladder rung (see Fig. 4a).
2. Install U-bolt around underside of ladder rung and through holes provided in cable guide.
3. Install washers and torque fasteners to 20 plus or minus 2 ft. lbs.



Typical Installation

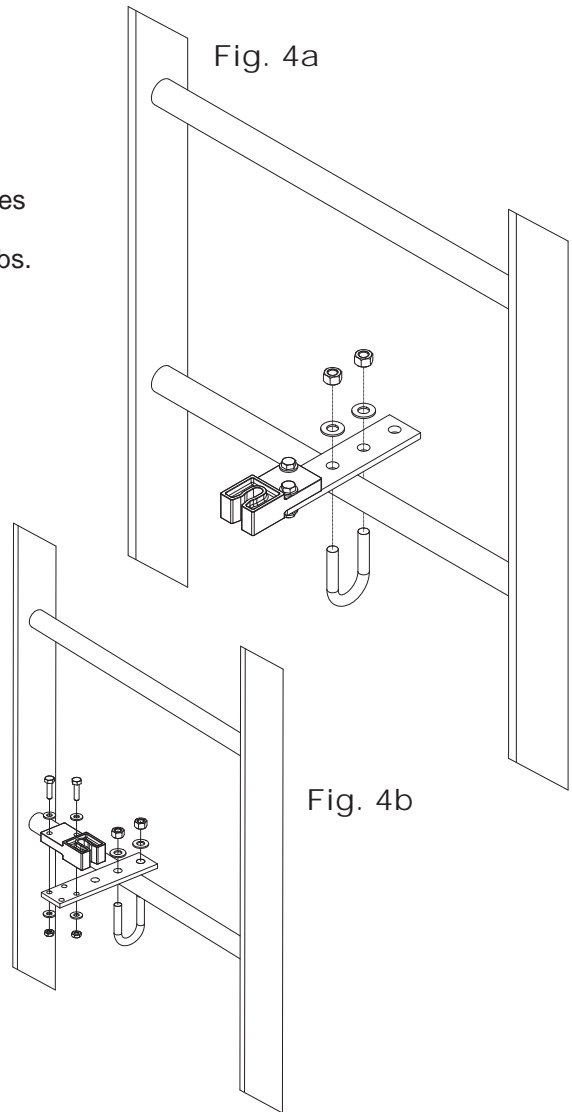


90 Degree Installation

90 Degree Installation

Note: High wind areas permit rotating the end of this cable guide 90 degrees in either direction. When installation requires this option, cable guides should be alternated from left to right throughout the length of the system.

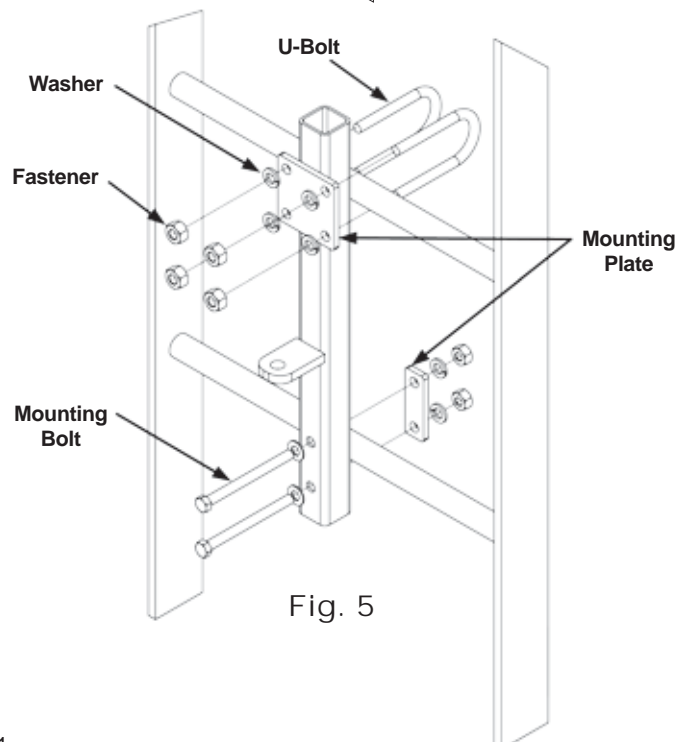
1. Remove fasteners from cable guide end.
2. Rotate end 90 degrees and reinsert fasteners (see Fig. 4b).
3. Torque fasteners to 20 plus or minus 2 ft. lbs.
4. To install cable guide with 90 degree end, follow above procedure except insert U-bolt through the two holes furthest from the cable end on the guide bracket.



5.4 Installation of Bottom Bracket Assembly

WARNING: Inspect the bottom bracket assembly. Do not use if there are any damaged or missing components. Missing, damaged or omitted components can result in the bracket slipping under a load.

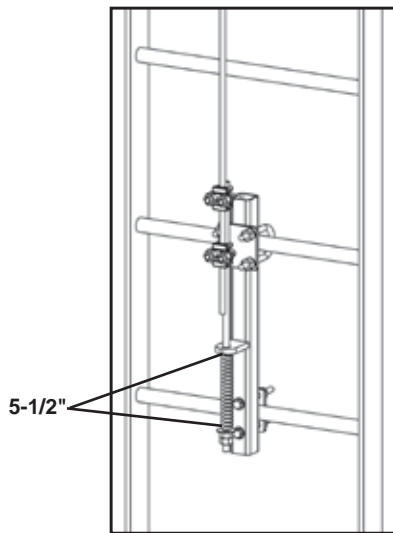
1. Place bottom bracket against the rungs of the ladder at the desired location aligning the bracket so that the ladder rung is centered between the two vertically placed holes in the bottom of the bracket. (see Fig. 5).
2. Install bolts through holes in bottom of bracket and through plate on opposite side, including washers, as shown. Torque fasteners to 20 plus or minus 2 ft. lbs.
3. Install U-bolts around ladder rung at top of bracket and through mounting plate. Install washers and torque fasteners to 20 plus or minus 2 ft. lbs.



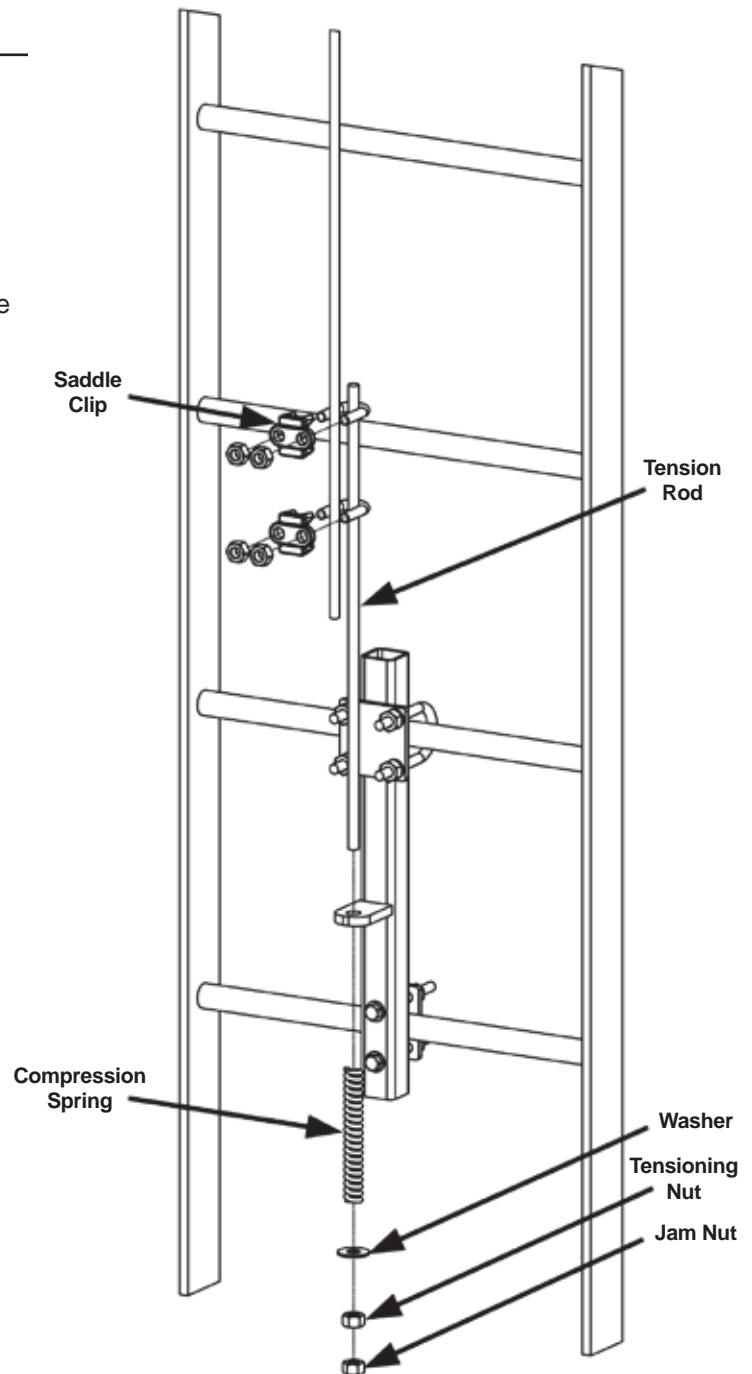
5.5 Installation of Cable and Tensioning Assembly to Bottom Bracket Assembly

Fig. 6

1. Install saddle clips loosely around cable attached to tension rod (see Fig. 6).
2. Slide the tension rod down the cable and through the hole in the bottom bracket until a sufficient amount of threads are through to install the compression spring, washer and tensioning nut.
3. Remove excess cable by pulling cable through the saddle clips. Tighten and torque saddle clips to 40 to 45 ft. lbs.
4. Tighten tensioning nut until cable is taut. Compress spring until the distance of 5-1/2" is achieved. Do not completely compress spring. If an insufficient amount of threads are exposed, repeat procedure from Step 3.
5. When proper tensioning of cable is achieved, install jam nut against tensioning nut.
6. Discard excess cable by cutting below the lower saddle clip, leaving approximately 3" of cable below the lower saddle clip (3" is recommended; a minimum of 1" is required).



▲ **Complete Bottom Bracket Assembly with Tensioning Assembly and Cable Installed**



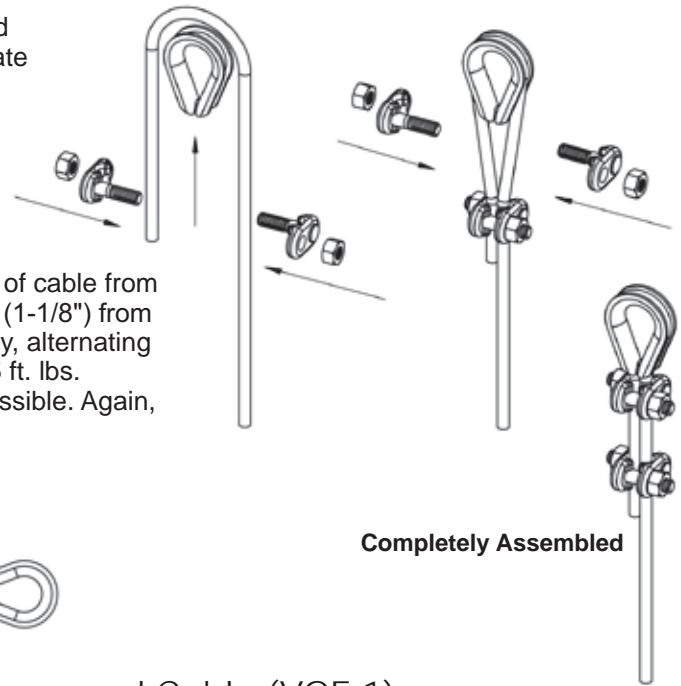
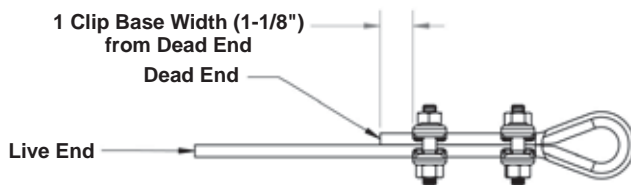
IMPORTANT: After installation is complete, a final inspection of the system, ladder and structure is required. Using a hand punch, designate the appropriate system capacity rating, installation date and service/inspection dates using the spaces provided on the label. Attach the label to the ladder or structure with the nylon tie provided. Attach the label to the system where it is easily accessible to anyone using the system. Record system identification information in the inspection and maintenance section of this manual.

5.6 Options for Terminating Cable in the Field

Options are available for terminating the cable in the field for increased versatility during installation to accommodate variable cable lengths. **These options are compatible with 3/8" diameter approved cable only.**

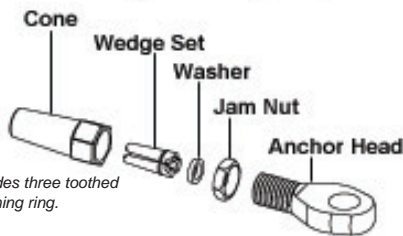
Thimble and Wire Rope Cable Termination Kit (VGTWC)

1. Feed cable around cable thimble, turning back 5-1/4" of cable from thimble end. Install first cable clip one clip base width (1-1/8") from dead end of rope. Use torque wrench to tighten evenly, alternating from one nut to the other until reaching a torque of 45 ft. lbs.
2. Install second cable clip as close to the thimble as possible. Again, use torque wrench to tighten evenly to 45 ft. lbs.

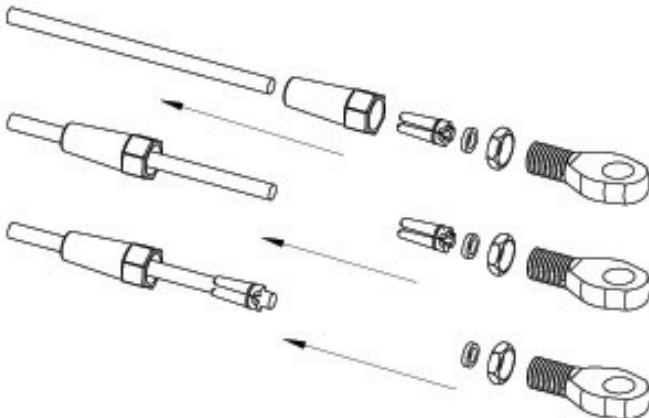


Fast-Attach Fitting for 3/8" Diameter Approved Cable (VGF-1)

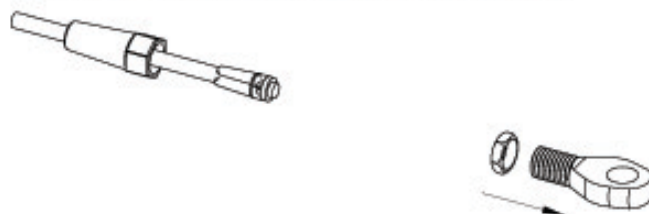
Disassemble the fitting and verify components.



1. Slide the cone, wedge set and washer onto the cable end as shown below.



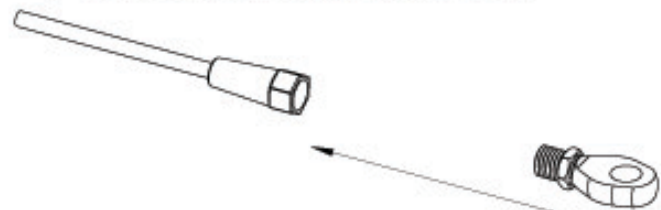
2. Screw the jam nut onto the anchor head.



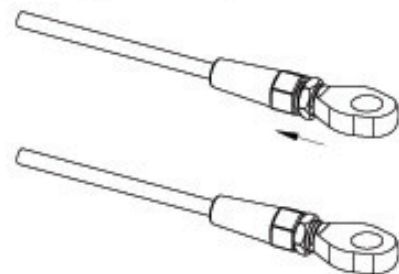
3. Slide the cone over the wedge set and washer.



4. Screw the anchor head into the cone.

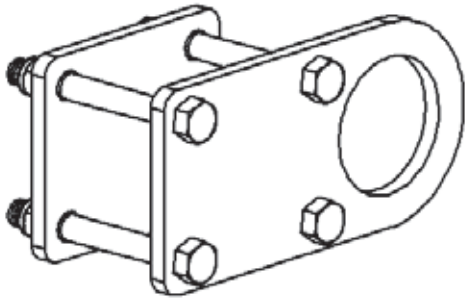


5. Tighten the jam nut down onto the cone. Torque to approximately 20 ft. lbs.



Completely Assembled Fitting

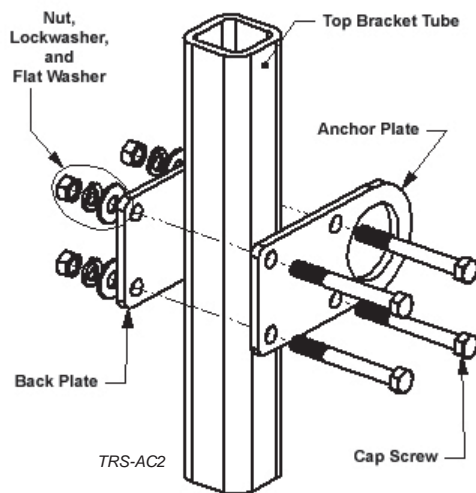
5.7 Optional Vi-Go Anchorage Connector



Vi-Go Anchorage Connector

The Vi-Go Anchorage Connector is designed to provide a convenient tie-off point for workers when entering/exiting at the top of Vi-Go Vertical Cable Lifeline Systems. The Vi-Go Anchorage Connector is designed for one person only with a capacity of 310 lbs. (140.6kg).

Model	Compatible Top Bracket Assembly
TRS-AC1	Compatible with the 5ft. (1.5m) top bracket assembly (with 1.5" x 1.5" tube)
TRS-AC2	Compatible with the 7 ft. (2m) and 10 ft. (3m) top bracket assemblies (with 2" x 2" tube)



WARNING: All instructions and warnings provided with the anchorage connector must be read and understood before using the equipment.

6.0 System Operation

1. Don a Miller full-body harness according to the manufacturer's instructions.
2. Install the Vi-Go Cable Sleeve to the vertical cable lifeline according to the manufacturer's instructions.
3. Attach the cable sleeve to the front attachment point, designated for ladder climbing, of the full-body harness using a Miller approved auto-locking carabiner or other Miller approved connector.
4. Verify that the carabiner (or connector) keeper/gate is closed and locked.
5. Ascend and descend the ladder passing intermediate cable guides per the manufacturer's instructions supplied with the cable sleeve.

7.0 Training

It is the responsibility of the user and the purchaser of this equipment to assure they are familiar with these instructions and are trained in the proper use, installation, operation, inspection, maintenance and limitations of this product. Training should be conducted periodically and without exposing the trainee to a fall hazard.

Training is an integral part of our Total Solution in fall protection, since no fall protection equipment – regardless of how effective – can save an employee who is not trained in its use. To meet this crucial requirement, Miller Training provides the knowledge and skills necessary to achieve a safe, more productive work environment. For more information on Miller Training, contact a representative today: 800.873.5242.

8.0 Inspection and Maintenance

Inspection

The Vi-Go System is designed for today's rugged work environments. To maintain its service life and high performance, all components should be inspected frequently. Visually inspect before each use. Regular inspection by a competent person for wear, damage or corrosion should be a part of your safety program. **Replace equipment if any of the defective conditions explained in this manual are found.**

System Inspection

Before each use, visually inspect for the following:

- Inspect all components for physical damages, cracks, wear and corrosion.
- Check fasteners, bolts and pins for damages, cracks, wear and corrosion.
- Inspect the cable lifeline for cuts, frays, kinks, broken strands or other signs of unusual wearing patterns.
[CAUTION: Always wear gloves when inspecting wire rope!]
- Check cable tension ensuring there is no slack. Retension cable to specifications as per section 5.5 of this manual.
- Inspect for malfunctioning components, broken or missing springs and fasteners. [For replacement parts call: 800.873.5242]
- Inspect cable sleeve, connector and full-body harness according to the manufacturer's instructions.

Cleaning and Storage

Basic care of all Miller fall protection equipment will prolong the life of the unit and will contribute toward the performance of its vital safety function. Proper storage and maintenance after use are as important as cleansing the equipment of dirt, corrosives, or contaminants. Clean system components using a cloth dampened with water and mild soap or detergent and towel dry. Storage areas should be clean, dry and free of exposure to fumes or corrosive elements.

Servicing

Servicing must only be carried out by a qualified person trained in the inspection and replacement of the system. A record log of all servicing and inspection dates for this system must be maintained. **This system and all its components and devices must be withdrawn from service if subjected to fall arresting forces.** Only original Miller fall protection replacement parts are approved for use in this system. Contact Honeywell Technical Service at 800.873.5242 if you have any questions.

Table des matières

1.0 Objectif.....	17
2.0 Exigences générales, mises en gardes et limitations.....	17-18
2.1 Mises en garde générales sur la protection contre les chutes	
2.2 Mises en garde et limitations relatives au système	
3.0 Exigences relatives au système.....	19
4.0 Diagrammes du système et description des composants.....	20-22
4.1 Système Vi-Go À RAPPEL AUTOMATIQUE	
4.2 Système Vi-Go À RAPPEL MANUEL	
4.3 Pièces de remplacement du système	
5.0 Installation du système.....	22-28
5.1 Installation de l'ensemble de support supérieur	
5.2 Installation du câble sur l'ensemble de support supérieur	
5.3 Installation des guide-câbles intermédiaires	
5.4 Installation de l'ensemble de support inférieur	
5.5 Installation du câble et de l'ensemble de tension à l'ensemble de support inférieur	
5.6 Options pour que l'extrémité du câble soit dans le sol	
5.7 Connecteur d'ancrage Vi-Go facultatif	
6.0 Fonctionnement du système.....	28
7.0 Formation.....	28
8.0 Inspection et entretien.....	29
Étiquettes de produit.....	44
Registre d'inspection et d'entretien.....	45
Notes.....	46
Garantie.....	47

Remerciements

Nous vous remercions d'avoir acheté les équipements antichute Miller fabriqués par Honeywell Safety Products. Les produits de marque Miller sont fabriqués selon des normes de qualité des plus rigoureuses, dans notre usine certifiée ISO 9001. Bien entretenu, un équipement Miller s'utilise des années durant.

MISE EN GARDE

Quiconque utilise cet équipement doit lire, comprendre et suivre toutes les instructions. Le contraire peut entraîner des blessures graves, voire la mort. Ne pas utiliser cet équipement à moins d'avoir reçu la formation appropriée.

Des questions? COMPOSEZ LE 1 800 873-5242

Il est essentiel que la personne autorisée à utiliser cet équipement de protection contre les chutes lise et comprenne ces instructions. De plus, la loi fédérale oblige les employeurs à s'assurer que tous les utilisateurs ont reçu une formation sur la manière appropriée d'installer, d'utiliser, d'inspecter et d'entretenir les équipements antichute. La formation sur la protection contre les chutes devrait faire partie intégrante d'un programme global de sécurité.

L'utilisation adéquate de systèmes d'arrêt de chute peut épargner des vies et réduire le risque de blessures graves consécutives à une chute. L'utilisateur doit être sensibilisé au fait que les forces subies lors d'un arrêt de chute ou d'une suspension prolongée peuvent causer des blessures corporelles. Dans l'incertitude sur la capacité de la personne à utiliser ce produit, consulter un médecin. Les femmes enceintes et les mineurs ne doivent pas utiliser ce produit.

1.0 Objectif

Les systèmes avec câble de sécurité vertical Vi-Go sont des dispositifs d'ascension et antichute novateurs qui fournissent une protection supérieure contre les chutes pour les utilisations dans une échelle fixe.

2.0 Exigences générales, mises en gardes et limitations

2.1 Mises en garde générales sur la protection contre les chutes

Les personnes et les utilisateurs autorisés doivent recevoir toutes les mises en garde et les directives. Les utilisateurs doivent lire et comprendre les mises en garde et les directives avant d'utiliser cet équipement.

Toutes les personnes et tous les utilisateurs autorisés doivent consulter la réglementation régissant la sécurité du travail, ainsi que les normes applicables (c'est-à-dire ANSI ou CSA). Consulter les étiquettes pour en savoir davantage sur la réglementation d'OSHA et les normes ANSI et CSA auxquelles ce système répond.

Des précautions appropriées doivent toujours être prises pour retirer tous les obstacles, débris, matériaux ou autres dangers connus de l'espace de travail qui pourraient causer des blessures ou nuire au fonctionnement du système.

Tout l'équipement doit faire l'objet d'une inspection avant chaque utilisation conformément aux directives du fabricant.

Tout l'équipement doit régulièrement faire l'objet d'une inspection par une personne qualifiée.

Pour réduire les risques de décrochage accidentel, une personne compétente doit assurer la compatibilité des éléments du système.

L'équipement ne doit subir aucune modification. Seuls le fabricant ou bien les personnes ou les entités autorisées par écrit par le fabricant peuvent effectuer des réparations.

Tout produit présentant des défauts ou des traces d'usure anormale ou de détérioration doit être immédiatement mis au rebut.

Ne pas utiliser si le dispositif ou toute pièce du système semble endommagé.

Tout équipement qui a été assujéti à une chute ne doit plus être utilisé.

Lorsque l'utilisateur se sert de cet équipement, il doit avoir à portée de main un plan de sauvetage et les moyens de le mettre en œuvre.

Ne jamais utiliser l'équipement de protection contre les chutes à des fins différentes de celle-ci. Ne jamais l'utiliser non plus à des fins de remorquage ou de levage.

Ne jamais retirer les étiquettes du produit, car elles contiennent des mises en garde et des renseignements importants pour les personnes et les utilisateurs autorisés.

2.2 Mises en garde et limitations relatives au système

Compatibilité du système

Les systèmes avec câble de sécurité vertical Vi-Go doivent être utilisés avec des composants approuvés par Honeywell. L'utilisation de composants ou de sous-systèmes non approuvés à des fins de substitution ou de remplacement peut détériorer ou entraver leur fonctionnement sécuritaire ou compromettre leur compatibilité avec les autres éléments du système. Cette incompatibilité peut diminuer la fiabilité et la sécurité de l'ensemble du système.

Les systèmes Vi-Go doivent être utilisés avec un manchon de câble Vi-Go avec mousqueton à verrouillage automatique (ou autre connecteur approuvé par Honeywell) et un harnais de sécurité intégral muni d'un point d'attache à l'avant conçu pour monter aux échelles.

[REMARQUE : Toutes les directives et les mises en garde fournies avec le manchon de câble, le connecteur et le harnais doivent être lues et comprises avant l'utilisation de l'équipement.]

Capacité du système

Un maximum de quatre utilisateurs peut être branché simultanément à un système avec câble vertical Vi-Go, tant que la capacité à soutenir la charge de la structure de la base est adéquate. Pour les systèmes Vi-Go qui utilisent l'ensemble de support supérieur de 3 m (10 pi), le nombre d'utilisateurs est limité à deux.

La distance entre les utilisateurs ne doit pas être inférieure à 1,6 m (5 1/4 pi) pour s'assurer qu'en cas de chute, la personne qui tombe ne heurte pas un utilisateur en dessous d'elle. (*Remarque : Conformément à la norme ANSI A14.3, un seul travailleur peut utiliser le système entre les guide-câbles.*)

Dégagement nécessaire en cas de chute

S'assurer que l'espace où quelqu'un pourrait tomber est dégagé afin d'éviter que la personne ne heurte un niveau inférieur, un autre objet ou un autre utilisateur.

Dangers environnants

Il peut être nécessaire de prendre des précautions supplémentaires lorsque l'utilisateur de cet équipement est exposé à certains dangers afin de réduire les risques de blessures ou de bris d'équipement. Les dangers peuvent comprendre, sans toutefois s'y limiter, les températures extrêmes, les produits chimiques caustiques, les milieux corrosifs, les lignes électriques à haute tension, les gaz explosifs ou toxiques, la machinerie en mouvement et les arêtes vives. N'exposer l'équipement à aucun danger contre lequel il n'a pas été conçu pour résister. Consulter le fabricant en cas de doute.

- S'assurer que le système est exempt de graisse, d'huile et de glace.
- Le câble de sécurité doit demeurer propre.
- L'utilisation de ce système n'est pas appropriée lorsque l'utilisateur est sur une surface instable, du matériel à grain fin ou des particules.

3.0 Exigences relatives au système

Avant l'installation d'un système Vi-Go, la structure ou l'échelle sur laquelle le système doit être fixé doit être certifiée comme étant capable de supporter les charges potentielles qui pourraient s'appliquer en cas de chute et doit respecter les exigences indiquées pour l'échelle.

Exigences relatives à l'échelle

L'échelle doit être fixe et être dotée de barreaux dont le diamètre extérieur est entre 19 mm et 28,5 mm (3/4 po et 1 1/8 po). Conformément à la norme ANSI A14.3, la largeur minimale de l'échelle doit être de 45,7 cm (18 po) du côté intérieur du montant au côté intérieur de l'autre montant.

Un système peut être fixé à des barreaux (cornières) à forme carrée, de losange ou en L, tant que les barreaux sont conformes aux exigences minimales relatives au diamètre extérieur d'un minimum de 19 mm (3/4 po) et d'un maximum de 28,5 mm (1 1/8 po). Une entretoise pourrait être requise pour les installations de cornières. Pour obtenir de plus amples renseignements et de l'aide pour l'installation, communiquer avec le service technique de Honeywell au 1 800 873-5242.

Support supérieur

Les charges de connexion comprennent la tension préalable du système et les forces générées par l'arrêt d'une chute. Les exigences relatives à la charge varient en fonction du nombre d'utilisateurs du système et de l'installation à la structure (c'est-à-dire, le nombre d'ensembles de pince pour barreau utilisés).

Pour le calcul des objectifs lors de la détermination de la charge que chaque barreau doit pouvoir supporter, supposer que la charge maximale de chaque support est distribuée uniformément sur le nombre d'ensembles de pince pour barreau du support supérieur. [Exemple : Pour un système à utilisateur unique dont le support supérieur est installé avec trois connexions de barreaux, la charge présumée pour chaque barreau serait de 500 kg (1 100 lb) (1 500 kg/3 ou 3 300 lb/3).] Un ensemble supplémentaire de pince pour barreau du support supérieur peut être acheté séparément et utilisé pour répartir les exigences de la charge sur quatre barreaux plutôt que trois. [Exemple : Pour un système à deux utilisateurs, la charge transmise à chaque barreau est réduite de 575 kg (1 267 lb) (1 725 kg/3 ou 3 800 lb/3) à 431 kg (950 lb) (1 725 kg/4 ou 3 800 lb/4).]

Nombre simultané d'utilisateurs	Charge maximale (kg)*
Pour les systèmes Vi-Go À RAPPEL AUTOMATIQUE et MANUEL :	
1	1 497 kg
2	1 724 kg
3	1 950 kg
4	2 177 kg

* Les calculs de la charge maximale donnent un facteur de sécurité de 2:1.

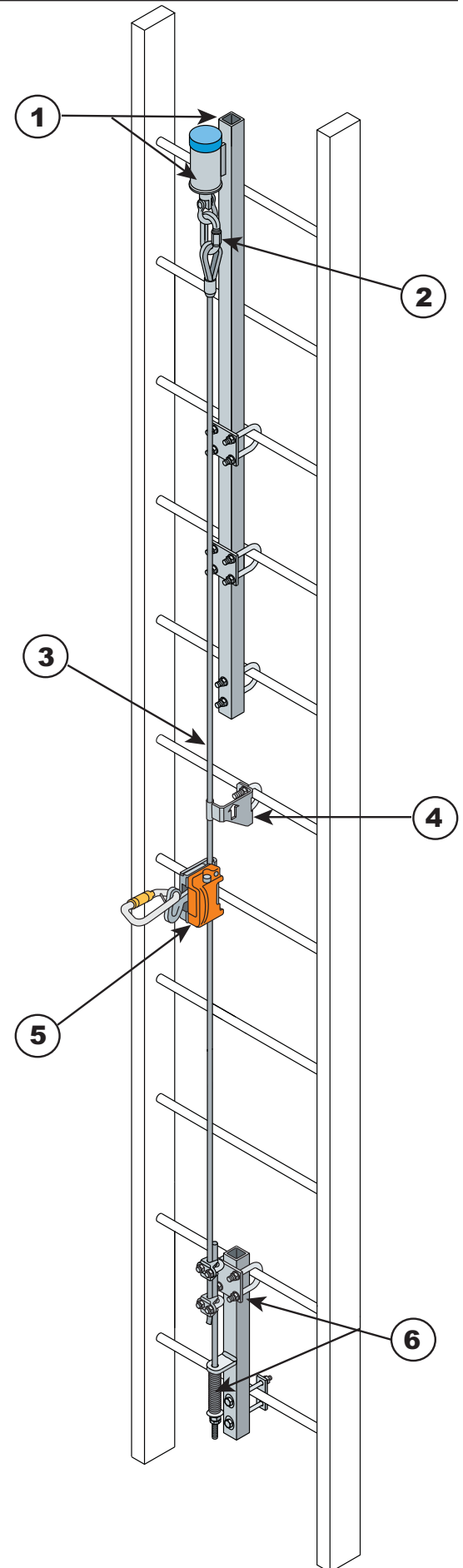
Support inférieur

La connexion du support inférieur doit être en mesure de supporter une charge de système de 340 kg (750 lb) en direction du chargement.

4.0 Diagrammes du système et description des composants

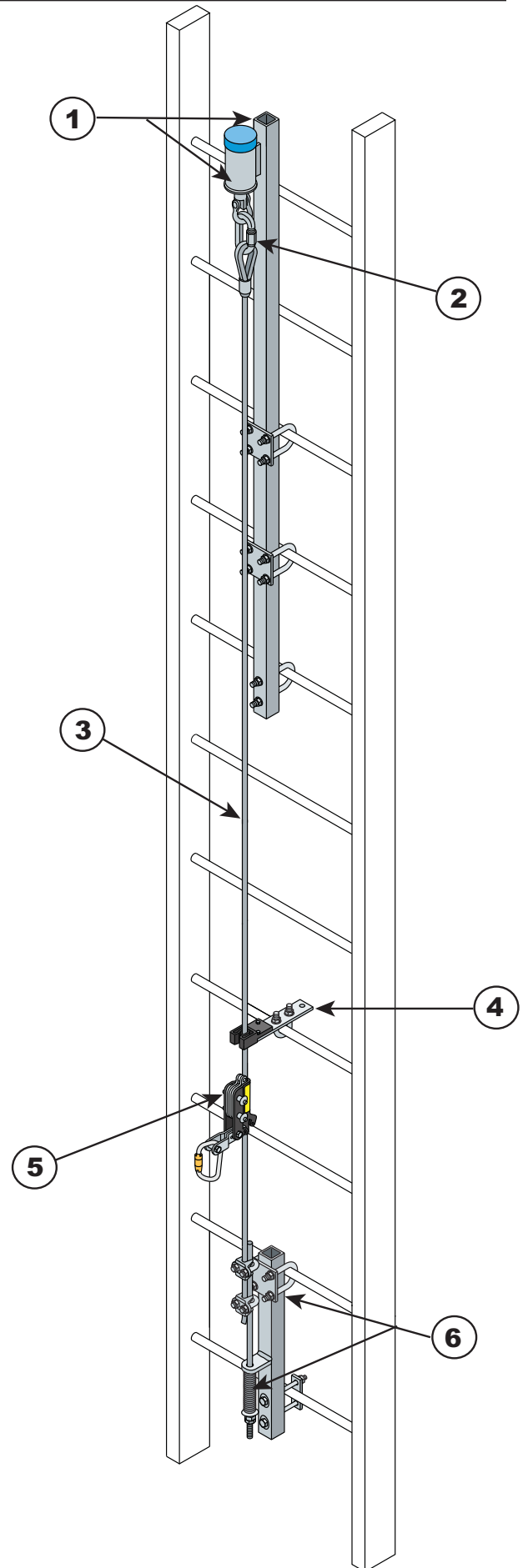
4.1 Système Vi-Go À RAPPEL AUTOMATIQUE

- 1) Ensemble de support supérieur avec amortisseur de chute en ligne
 - L'amortisseur de chute en ligne réduit les forces exercées sur le système et la structure en cas de chute.
 - Il peut être installé pour s'allonger au-dessus de l'échelle afin de permettre aux travailleurs de se tenir sur la plateforme de façon sécuritaire sans se détacher du câble de sécurité pour une protection maximale.
 - Également offert avec un support supérieur de 2 m (7 pi) ou de 3 m (10 pi).
- 2) Maillon rapide
 - Permet une connexion rapide et facile du câble de sécurité à l'amortisseur de chute en ligne.
- 3) Câble de sécurité
 - Câble de sécurité en acier galvanisé de 9,5 mm (3/8 po).
- 4) Guide-câble à rappel automatique
 - Tient le câble en place, ce qui l'empêche de trop bouger lorsqu'il y a du vent et d'entrer en contact avec l'échelle ou la structure.
 - S'adapte aux structures courbées.
 - La caractéristique de rappel automatique permet au manchon de câble Vi-Go à rappel automatique de contourner le guide sans assistance manuelle, ce qui donne plus d'aisance à l'utilisateur qui peut monter ou descendre sans utiliser ses mains et le faire rapidement avec un degré de sécurité plus élevé.
- 5) Manchon de câble Vi-Go à rappel automatique
 - **Manchon de câble acheté séparément. Offert avec un émerillon intégral et un mousqueton à verrouillage automatique, avec le mousqueton seulement, ou sans connecteur.**
 - La construction en acier inoxydable donne une résistance à la corrosion.
 - Rapide et facile à installer pour un fonctionnement qui se fait véritablement à une seule main.
 - Le mécanisme intégré empêche que le manchon de câble soit installé à l'envers sur le câble.
 - L'ascension et la descente se font sans manipuler la longe.
 - Les mécanismes activés par ressort replacent toujours le dispositif dans la position initiale.
 - Le mécanisme à verrouillage double empêche un déverrouillage accidentel du manchon du câble.
 - Se verrouille instantanément en cas de chute.
 - L'amortisseur de chute et l'indicateur de chute intégrés réduisent encore davantage les forces exercées au moment de l'arrêt d'une chute et facilitent l'inspection.
- 6) Ensemble de support inférieur avec tendeur de câble de sécurité
 - Le tendeur de câble de sécurité à double fonction indique lorsque le câble est ajusté adéquatement et empêche la déformation des barreaux de l'échelle.



4.2 Système Vi-Go À RAPPEL MANUEL

- 1) Ensemble de support supérieur avec amortisseur de chute en ligne
 - L'amortisseur de chute en ligne réduit les forces exercées sur le système et la structure en cas de chute.
 - Il peut être installé pour s'allonger au-dessus de l'échelle afin de permettre aux travailleurs de se tenir sur la plateforme de façon sécuritaire sans se détacher du câble de sécurité pour une protection maximale.
 - Également offert avec un support supérieur de 2 m (7 pi) ou de 3 m (10 pi).
- 2) Maillon rapide
 - Permet une connexion rapide et facile du câble de sécurité à l'amortisseur de chute en ligne.
- 3) Câble de sécurité
 - Câble de sécurité en acier galvanisé de 9,5 mm (3/8 po).
- 4) Guide-câble à rappel manuel
 - Tient le câble en place, ce qui le tient à l'écart de l'échelle ou de la structure.
 - Entièrement convertible pour s'adapter aux conditions très ou peu venteuses.
 - La caractéristique à rappel manuel requiert que le câble soit relâché de la position de retenue avant que le manchon de câble puisse y être passé.
- 5) Manchon de câble Vi-Go à rappel manuel
 - **Manchon de câble acheté séparément. Offert avec un émerillon intégral et un mousqueton à verrouillage automatique, avec le mousqueton seulement, ou sans connecteur.**
 - Se fixe facilement au câble et l'ascension et la descente se font sans manipulation de la longe entre les guide-câbles intermédiaires.
 - Se verrouille instantanément en cas de chute.
- 6) Ensemble de support inférieur avec tendeur de câble de sécurité
 - Le tendeur de câble de sécurité à double fonction indique lorsque le câble est ajusté adéquatement et empêche la déformation des barreaux de l'échelle.



4.3 Pièces de remplacement du système

N° de Pièce	Composant	Description
TRTB	Ensemble de support supérieur	Support en acier galvanisé de 1,5 m (5 pi) (tube de 3,8 cm x 3,8 cm [1 1/2 po x 1 1/2 po]) incluant un amortisseur de chute en ligne avec manille, deux ensembles de pince pour barreau (chacun comprend une plaque de montage à quatre trous pour tube de 3,8 cm (1 1/2 po), deux boulons en U de 3/8 po-16 x 1 5/8 po x 3 1/2 po, quatre rondelles de blocage de 3/8 po et quatre écrous hexagonaux de 3/8 po-16) et un ensemble de pince pour barreau inférieur (comprend un boulon en U de 3/8 po-16 x 1 5/8 po x 3 1/2 po, deux rondelles de blocage de 3/8 po, deux écrous hexagonaux de 3/8 po-16 et deux capuchons de fixation).
TRTB-7	Ensemble de support supérieur de 2 m (7 pi) Ensemble	Support en acier galvanisé de 2 m (7 pi) (tube de 5 cm x 5 cm [2 po x 2 po]) incluant un amortisseur de chute en ligne avec manille, deux ensembles de pince pour barreau (chacun comprend une plaque de montage à quatre trous pour tube de 5 cm (2 po), deux boulons en U de 3/8 po-16 x 1 5/8 po x 3 1/2 po, quatre rondelles de blocage de 3/8 po et quatre écrous hexagonaux de 3/8 po-16) et un ensemble de pince pour barreau inférieur (comprend deux boulons de 3/8 po-16 x 4 po, deux rondelles plates de 3/8 po, une plaque de montage à deux trous, deux rondelles de blocage de 3/8 po et deux écrous hexagonaux de 3/8 po-16).
TRTB-10	Ensemble de support supérieur de 3 m (10 pi) Ensemble	Support en acier galvanisé de 3 m (10 pi) (tube de 5 cm x 5 cm [2 po x 2 po]) incluant un amortisseur de chute en ligne avec manille, deux ensembles de pince pour barreau (chacun comprend une plaque de montage à quatre trous pour tube de 5 cm (2 po), deux boulons en U de 3/8 po-16 x 1 5/8 po x 3 1/2 po, quatre rondelles de blocage de 3/8 po et quatre écrous hexagonaux de 3/8 po-16) et un ensemble de pince pour barreau inférieur (comprend deux boulons de 3/8 po-16 x 4 po, deux rondelles plates de 3/8 po, une plaque de montage à deux trous, deux rondelles de blocage de 3/8 po et deux écrous hexagonaux de 3/8 po-16).
TRRCA	Ensemble de pince pour barreau supplémentaire (pour support supérieur de 1,5 m [5 pi])	Inclut une plaque de montage à quatre trous pour tube de 3,8 cm (1 1/2 po), deux boulons en U de 3/8 po-16 x 1 5/8 po x 3 1/2 po, quatre rondelles de blocage de 3/8 po et quatre écrous hexagonaux de 3/8 po-16
TRRCA-10	Ensemble de pince pour barreau supplémentaire (pour les supports supérieurs de 2 m et 3 m)	Inclut une plaque de montage à quatre trous pour tube de 5 cm (2 po), deux boulons en U de 3/8 po-16 x 1 5/8 po x 3 1/2 po, quatre rondelles de blocage de 3/8 po et quatre écrous hexagonaux de 3/8 po-16
TRLL	Câble de sécurité	Câble en acier galvanisé de 9,5 mm (3/8 po) de diamètre avec cosse. Différentes longueurs offertes.
TRQL	Maillon rapide	Maillon rapide en acier galvanisé permettant de raccorder le câble à la manille de l'amortisseur de chute en ligne.
VGCG	Guide-câble à rappel automatique	Support pour câble en acier galvanisé incluant un boulon en U M10-1,5 mm x 1 1/2 po x 2 9/16 po, deux rondelles plates M10 et deux écrous de blocage M10-1,5 mm.
TRCG	Guide-câble à rappel manuel	Support pour câble en acier galvanisé avec tête de retenue de câble convertible en polyuréthane incluant un boulon en U de 3/8 po-16 x 1 1/4 po x 2 po, deux rondelles de blocage de 3/8 po, deux écrous hexagonaux de 3/8 po-16, deux boulons de 1/4 po-20 x 1 1/4 po, quatre rondelles plates de 1/4 po et deux écrous de blocage de 1/4 po-20.
TRBB	Ensemble de support inférieur	Support en acier galvanisé (tube de 3,8 cm x 3,8 cm [1 1/2 po x 1 1/2 po]) incluant un ensemble de pince pour barreau (avec plaque de montage à quatre trous pour tube de 3,8 cm (1 1/2 po), deux boulons en U de 3/8 po-16 x 1 5/8 po x 3 1/2 po, quatre rondelles de blocage de 3/8 po et quatre écrous hexagonaux de 3/8 po-16), ensemble de pince pour barreau inférieur (avec deux boulons de 3/8 po-16 x 3 po, deux rondelles plates de 3/8 po, une plaque de montage à deux trous, deux rondelles de blocage de 3/8 po et deux écrous hexagonaux de 3/8 po-16) et un ensemble de tringle de tension (avec un ressort de compression, deux cavaliers, une rondelle de 7/16 po et six écrous hexagonaux de 7/16 po-14).
N° de modèle	Manchon de câble	
VGCS	Manchon de câble Vi-Go à rappel automatique (également offert avec mousqueton [VGCS-C] ou avec émerillon intégral et mousqueton [VGCS-SC])	
TRCS	Manchon de câble Vi-Go à rappel manuel (également offert avec mousqueton [TRCS-C] ou avec émerillon intégral et mousqueton [TRCS-SC])	

5.0 Installation du système

- Avant de commencer l'installation, faire une inspection attentive de toutes les composantes du système conformément aux directives du fabricant (voir 8.0 Inspection et entretien). Ne pas utiliser s'il y a des pièces endommagées ou manquantes (voir 4.3 Pièces de remplacement du système).
- S'assurer que la structure ou l'échelle sur laquelle le système Vi-Go doit être fixé est capable de supporter les charges qui pourraient s'appliquer en cas de chute (voir 3.0 Exigences relatives au système).
- Pour faciliter l'installation, il est possible de se procurer séparément la trousse d'installation Vi-Go (TRIK). Communiquer avec votre distributeur Miller.

MISE EN GARDE : Un dispositif individuel de protection contre les chutes est requis pendant l'installation. Les personnes qui procèdent à l'installation du système doivent faire preuve de prudence et éviter de s'exposer à des risques de chute pendant le processus d'installation. Ne pas raccorder à tout composant d'un système partiellement installé.

Aperçu de l'installation du système : Il est recommandé d'installer le système avec câble de sécurité vertical Vi-Go en commençant par le haut de l'échelle et en procédant vers le bas.

Outils requis pour l'installation : Clé dynamométrique, douilles standard (7/8 po et 3/4 po), douille profonde (9/16 po), clés standard (7/16 po, 11/16 po et 3/4 po), clé à ergots (17 mm – pour la pièce VGCG seulement), coupe-câble (capacité minimale de 3/8 po requise – capacité de 5/8 po recommandée) et ruban à mesurer.



5.1 Installation de l'ensemble de support supérieur

L'ensemble de support supérieur peut être installé de façon à ce qu'il s'allonge au-dessus de l'échelle afin de permettre aux travailleurs de se tenir sur la plateforme de façon sécuritaire sans se détacher du câble de sécurité. Il est recommandé de l'installer au centre de l'échelle afin d'en faciliter l'utilisation et l'accès, mais il peut également être installé sur le côté de l'échelle au besoin.

Pour voir l'installation standard de l'ensemble de support supérieur de 1,5 m (5 pi), se référer à la figure 1a. Cette configuration peut recevoir jusqu'à quatre utilisateurs simultanément. Les ensembles de support supérieur de 2 m (7 pi) et 3 m (10 pi) sont installés tel que l'illustre la figure 1b. (**Remarque : Tous les systèmes munis de l'ensemble de support supérieur de 3 m (10 pi) sont limités à deux utilisateurs.**)

Un ensemble de pince pour barreau supplémentaire peut être utilisé pour l'installation du support supérieur afin de réduire les charges transmises à chaque barreau (voir la fig. 1c).

Pour les systèmes limités à un seul utilisateur, le support supérieur de 1,5 m (5 pi) peut être installé avec deux ensembles de pince pour barreau (voir la fig. 1d). S'assurer que l'échelle pourra supporter les charges entre les deux barreaux.

1. Placer le support supérieur contre les barreaux de l'échelle à la hauteur désirée (voir la fig. 1a ou 1b). Installer l'ensemble de pince pour barreau inférieur d'abord.

Pour un support de 1,5 m (5 pi) :

Placer le boulon en U autour du barreau de l'échelle et l'insérer à travers les trous situés au bas du support.

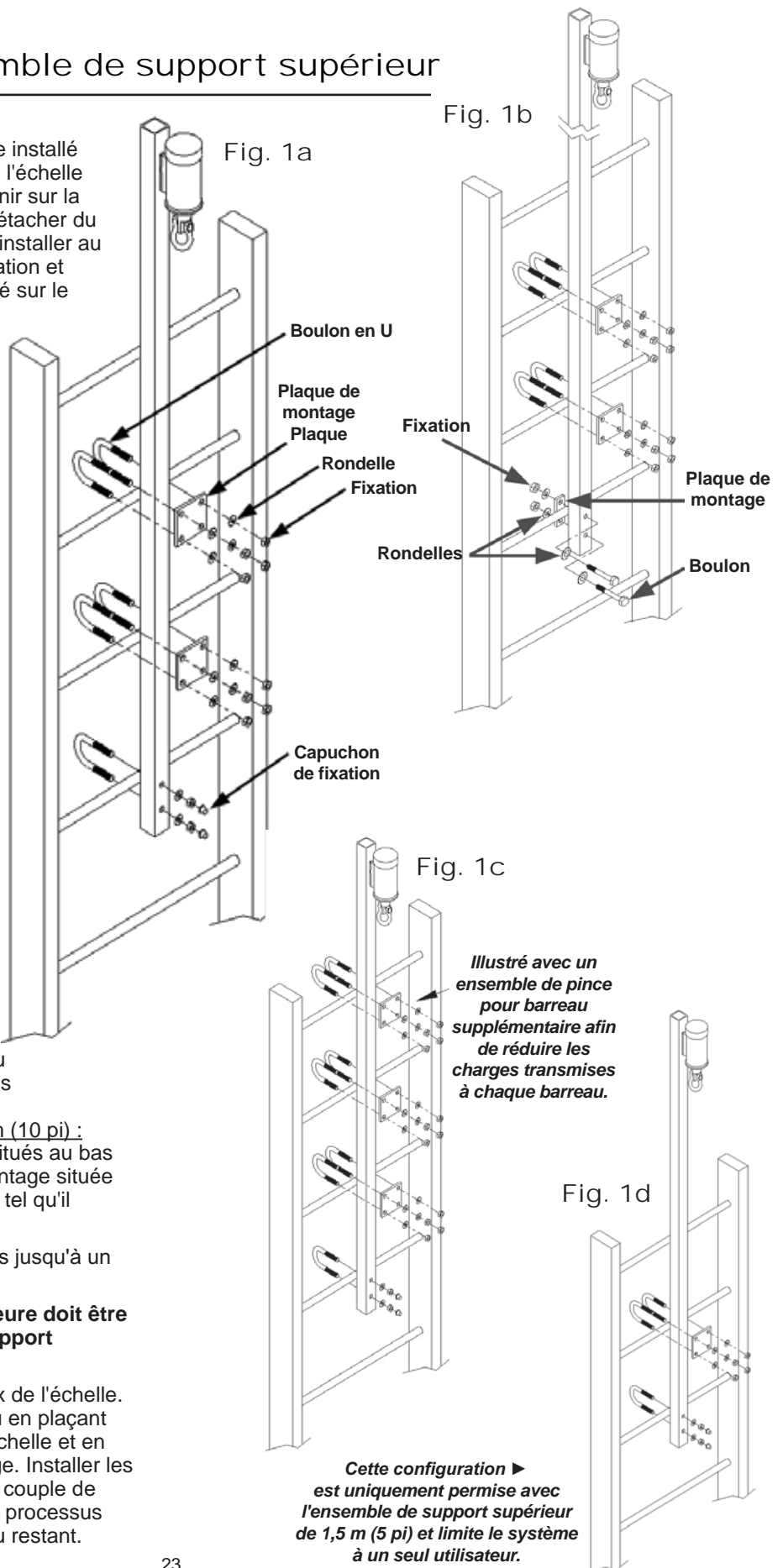
Pour un support de 2 m (7 pi) ou de 3 m (10 pi) :

Insérer les boulons à travers les trous situés au bas du support et à travers la plaque de montage située du côté opposé du barreau de l'échelle, tel qu'il est illustré.

Installer les rondelles et serrer les fixations jusqu'à un couple de 20 lb-pi, plus ou moins 2 lb-pi.

MISE EN GARDE : La pince en U inférieure doit être installée correctement, sans quoi le support pourrait glisser sous la charge.

2. Maintenir le support contre les barreaux de l'échelle. Installer l'ensemble de pince pour barreau en plaçant les boulons en U autour du barreau de l'échelle et en les insérant à travers la plaque de montage. Installer les rondelles et serrer les fixations jusqu'à un couple de 20 lb-pi, plus ou moins 2 lb-pi. Répéter ce processus pour les ensembles de pince pour barreau restant.



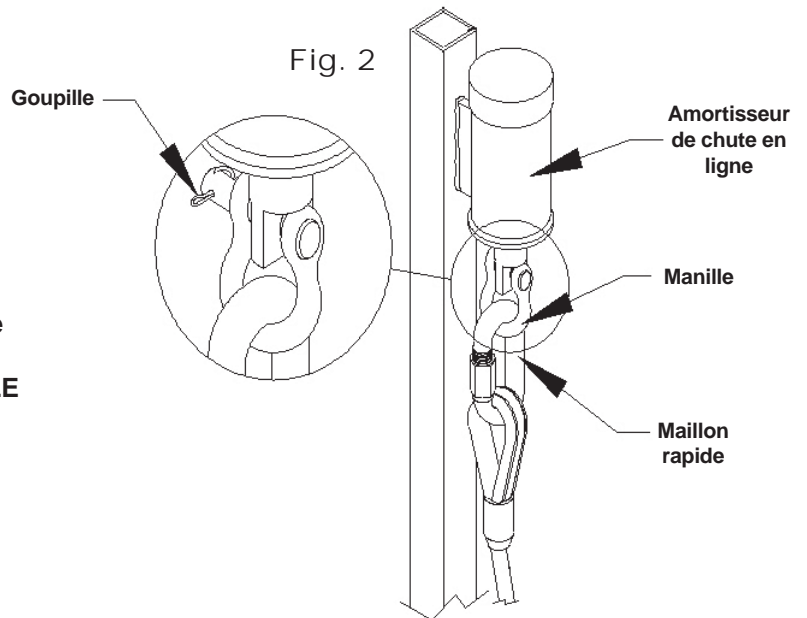
5.2 Installation du câble sur l'ensemble de support supérieur

Utiliser uniquement un câble approuvé par Honeywell. Inspecter le câble avant de procéder à l'installation. Ne pas installer de câble endommagé. Porter des gants et des lunettes de sécurité pour manipuler le câble.

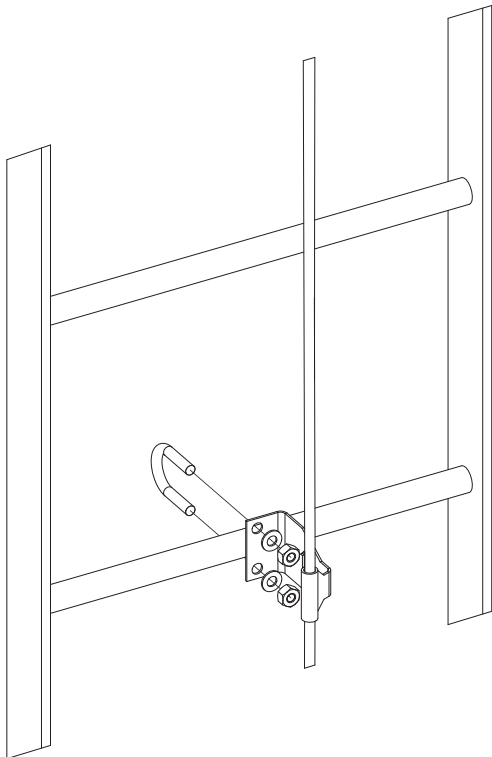
S'il est préférable ou nécessaire de couper le câble sur place pendant le processus d'installation, se référer à 5.6 Options pour que l'extrémité du câble soit dans le sol. MISE EN GARDE : Toutes les directives et les mises en garde fournies avec les raccords d'extrémité doivent être lues et comprises avant d'utiliser l'équipement.

1. Installer le maillon rapide à la cosse du câble (voir la fig. 2).
2. Raccorder ensuite le maillon rapide à la manille située sur le côté inférieur de l'amortisseur de chute en ligne. Serrer le maillon rapide. Ne pas utiliser s'il n'est pas possible de fermer et de serrer le maillon rapide.

REMARQUE : S'assurer que la goupille est insérée à travers le boulon de la manille et pliée de façon à ce qu'elle ne puisse pas se dégager. NE PAS UTILISER LE SYSTÈME SI LA GOUPILLE EST MANQUANTE.



5.3 Installation des guide-câbles intermédiaires



Les guide-câbles intermédiaires sont conçus pour éviter que l'utilisateur détourne le câble de façon excessive et pour protéger le câble de l'usure pouvant être causée par le frottement contre l'échelle ou une autre structure. Les guide-câbles doivent être placés à des intervalles d'un minimum de 7,6 m (25 pi) et d'un maximum de 12,2 m (40 pi) le long du câble, du support supérieur au support inférieur. Les guide-câbles peuvent être placés sur n'importe quelle zone pouvant entrer en contact avec l'échelle ou une autre structure le long du câble. Pour les endroits exposés à des vibrations ou des vents forts, il est recommandé de rapprocher les guide-câbles intermédiaires.

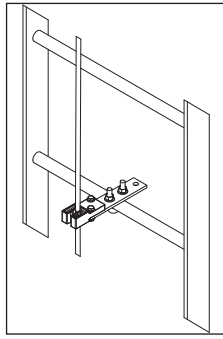
Guide-câbles à rappel AUTOMATIQUE

1. Placer le guide-câble intermédiaire contre le barreau de l'échelle (voir la fig. 3).
2. Installer le boulon en U autour du barreau de l'échelle et l'insérer à travers les trous du guide, tel qu'il est illustré.
3. Installer les rondelles et serrer les fixations jusqu'à un couple de 20 lb-pi, plus ou moins 2 lb-pi.

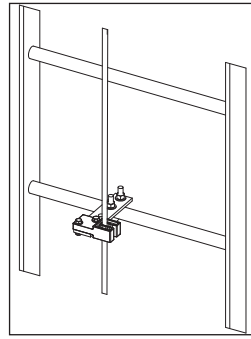
Guide-câbles À RAPPEL MANUEL

Installation standard

1. Placer le guide-câble sur le dessus du barreau de l'échelle (voir la fig. 4a).
2. Installer le boulon en U autour du côté inférieur du barreau de l'échelle et l'insérer à travers les trous du guide-câble.
3. Installer les rondelles et serrer les fixations jusqu'à un couple de 20 lb-pi, plus ou moins 2 lb-pi.



Installation
standard



Installation
à 90 degrés

Installation à 90 degrés

Remarque : Pour les endroits très venteux, il est permis de tourner l'extrémité de ce câble à 90 degrés dans une direction ou dans l'autre. Si cette mesure est nécessaire, alterner les guide-câbles de gauche à droite le long du système.

1. Retirer les fixations de l'extrémité du guide-câble.
2. Tourner l'extrémité de 90 degrés et insérer de nouveau les fixations (voir la fig. 4b).
3. Serrer les fixations jusqu'à un couple de 20 lb-pi, plus ou moins 2 lb-pi.
4. Pour installer le guide-câble en tournant son extrémité à 90 degrés, suivre le processus ci-dessus et insérer le boulon en U à travers les deux trous du support les plus éloignés de l'extrémité du câble.

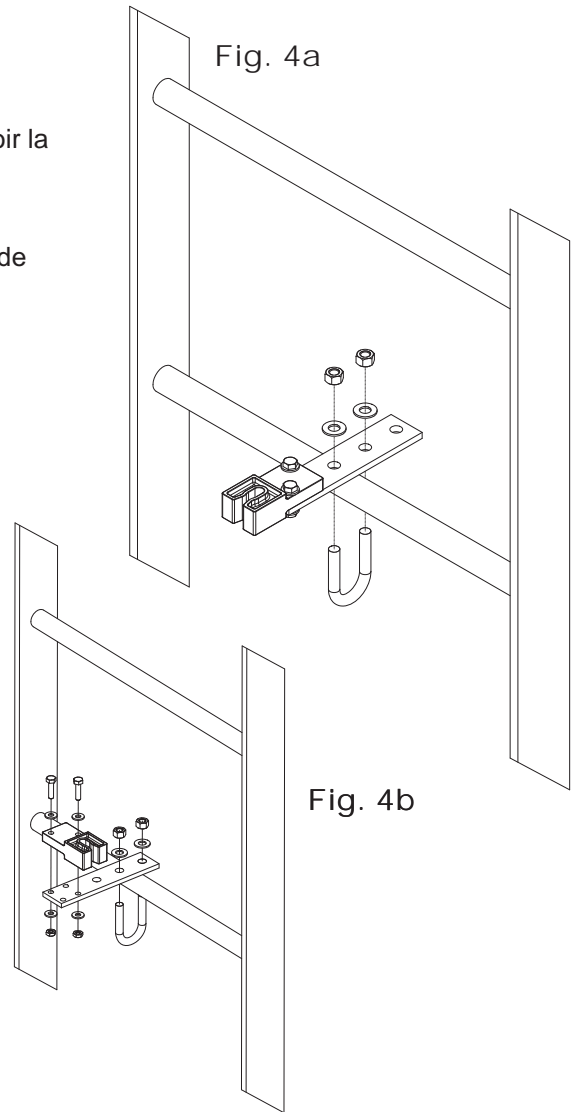


Fig. 4a

Fig. 4b

5.4 Installation de l'ensemble de support inférieur

MISE EN GARDE : Examinez l'ensemble de support inférieur. Ne l'utilisez pas s'il y a des composants endommagés ou manquants. Si des composants sont endommagés ou ne sont pas en place, le support pourrait glisser sous une charge.

1. Placer le support inférieur contre les barreaux de l'échelle à l'endroit désiré, en alignant le support de façon à ce que le barreau soit centré entre les deux trous verticaux situés au bas du support. (Voir la fig. 5.)
2. Insérer les boulons à travers les trous situés au bas du support et à travers la plaque située du côté opposé, en posant les rondelles tel qu'il est illustré. Serrer les fixations jusqu'à un couple de 20 lb-pi, plus ou moins 2 lb-pi.
3. Installer les boulons en U autour du barreau situé au haut du support et les insérer à travers la plaque de montage. Installer les rondelles et serrer les fixations jusqu'à un couple de 20 lb-pi, plus ou moins 2 lb-pi.

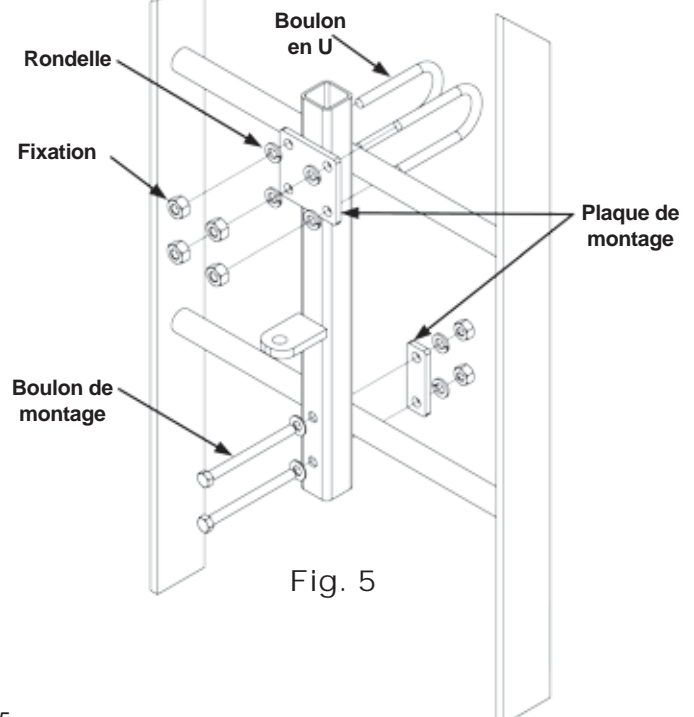
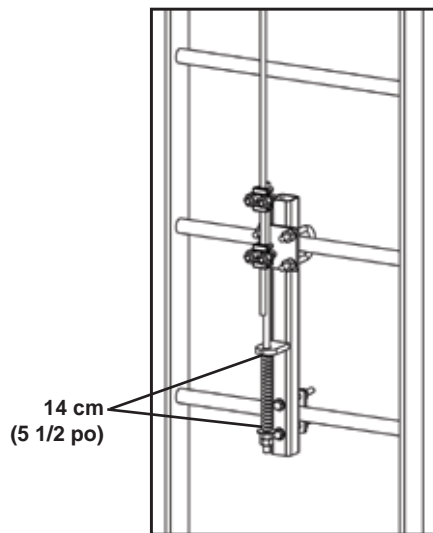


Fig. 5

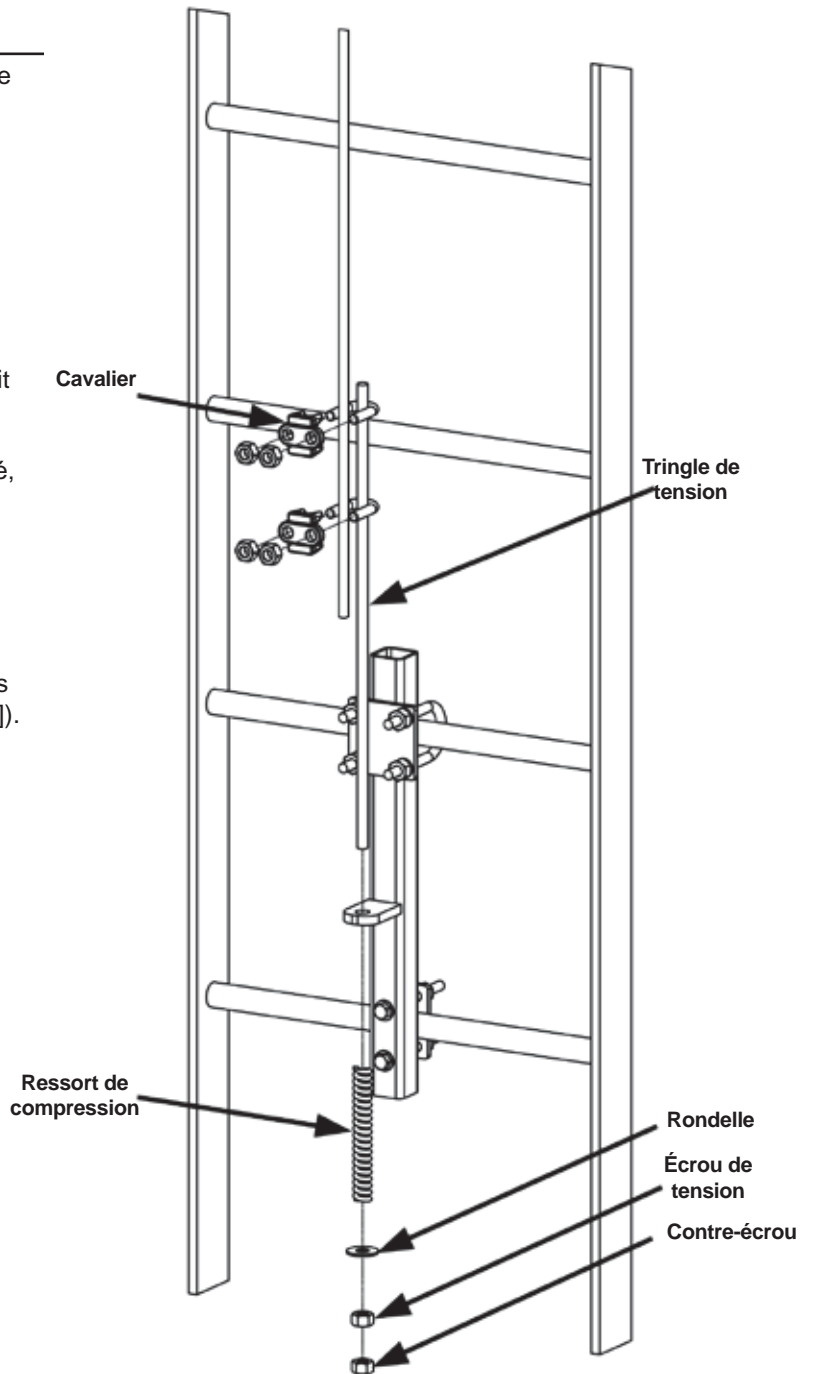
5.5 Installation du câble et de l'ensemble de tension à l'ensemble de support inférieur

Fig. 6

1. Installer les cavaliers autour du câble fixé à la tringle de tension sans les serrer (voir la fig. 6).
2. Glisser la tringle de tension le long du câble et à travers le trou du support inférieur jusqu'à ce que le filetage ressorte suffisamment pour permettre l'installation du ressort de compression, de la rondelle et de l'écrou de tension.
3. Retirer l'excédent du câble en le tirant à travers les cavaliers. Serrer les cavaliers jusqu'à un couple de 40 à 45 lb-pi.
4. Serrer l'écrou de tension jusqu'à ce que le câble soit tendu. Serrer le ressort jusqu'à obtenir un écart de 14 cm (5 1/2 po). Ne pas serrer complètement le ressort. Si le filetage n'est pas suffisamment exposé, répéter le processus décrit à l'étape 3.
5. Une fois le câble suffisamment tendu, installer le contre-écrou sur l'écrou de tension.
6. Couper le câble à environ 7,5 cm (3 po) sous le cavalier inférieur et jeter l'excédent (le câble doit être coupé à une distance d'au moins 2,5 cm [1 po] sous le cavalier inférieur; nous vous recommandons d'effectuer la coupe à une distance de 7,5 cm [3 po]).



▲ Ensemble de support inférieur complet avec ensemble de tension et câble



IMPORTANT : Une fois l'installation terminée, une inspection finale du système, de l'échelle et de la structure est nécessaire. À l'aide d'un poinçon, indiquer la capacité du système, la date d'installation et les dates d'entretien et d'inspection appropriées dans les espaces prévues à cet effet sur l'étiquette. Fixer l'étiquette à l'échelle ou à la structure à l'aide de l'attache en nylon fournie. Fixer l'étiquette au système, à un endroit où elle peut facilement être consultée par tout utilisateur. Inscrire les renseignements nécessaires dans la section du présent manuel dédiée à l'inspection et à l'entretien.

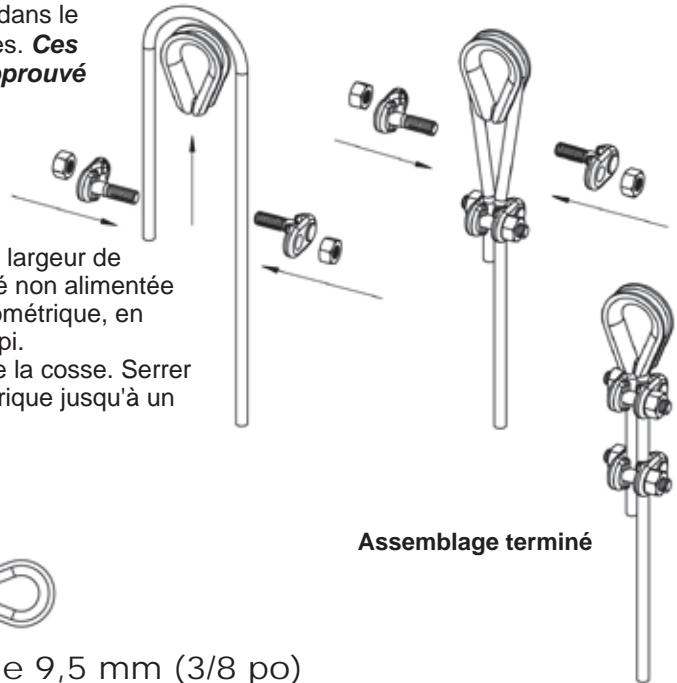
5.6 Options pour que l'extrémité du câble soit dans le sol

Plusieurs options permettent de placer l'extrémité du câble dans le sol afin de faciliter l'utilisation de câbles de longueurs variées. **Ces options sont uniquement compatibles avec un câble approuvé d'un diamètre de 9,5 mm (3/8 po).**

Cosse et câble en acier Ensemble de raccords d'extrémité (VGTWC)

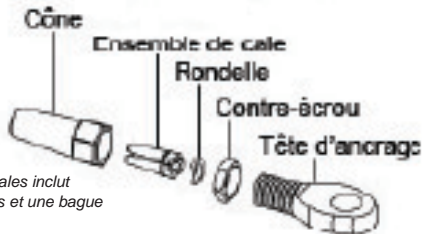
1. Faire passer le câble autour de la cosse, en le laissant pendre de 13,3 cm (5 1/4 po) de l'extrémité de la cosse. Installer le premier serre-câble à une distance égale à la largeur de la base d'un serre-câble (2,9 cm [1 1/8 po]) de l'extrémité non alimentée du câble. Serrer uniformément à l'aide d'une clé dynamométrique, en alternant d'un écrou à l'autre jusqu'à un couple de 45 lb-pi.
2. Installer le deuxième serre-câble le plus près possible de la cosse. Serrer de nouveau uniformément à l'aide d'une clé dynamométrique jusqu'à un couple de 45 lb-pi.

Distance égale à la largeur de la base d'un serre-câble (2,9 cm [1 1/8 po]) de l'extrémité non alimentée



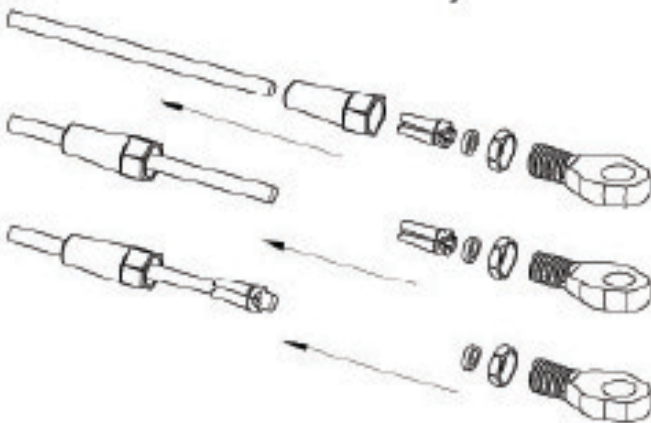
Raccord rapide pour câble approuvé de 9,5 mm (3/8 po) de diamètre (VGF-1)

Démonter la pièce de fixation et vérifier les composants.



* L'ensemble de cales inclut trois cales dentées et une bague de retenue.

1. Glisser le cône, l'ensemble de cale et la rondelle sur l'extrémité du câble de la façon illustrée.



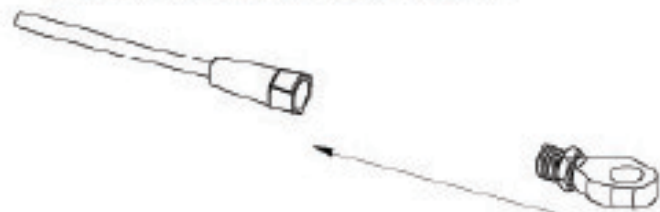
2. Visser le contre-écrou sur la tête d'ancrage.



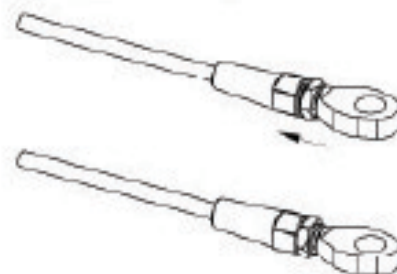
3. Glisser le cône sur l'ensemble de cale et la rondelle.



4. Visser la tête d'ancrage sur le cône.

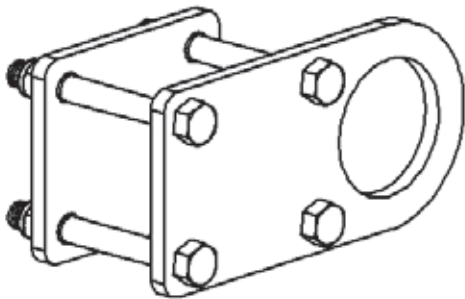


5. Serrer le contre-écrou vers le bas sur le cône. Serrer jusqu'à un couple d'environ 20 lb-pi.



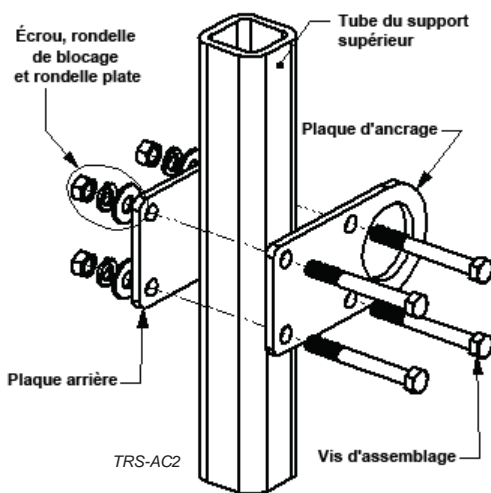
Pièce de fixation entièrement assemblée

5.7 Connecteur d'ancrage Vi-Go facultatif



Connecteur d'ancrage Vi-Go

Le connecteur d'ancrage Vi-Go est conçu pour offrir un ancrage pratique aux travailleurs lorsqu'ils entrent ou sortent des systèmes de câble de sécurité vertical Vi-Go. Le connecteur d'ancrage Vi-Go est conçu pour une seule personne et offre une capacité de 140,6 kg (310 lb).



Modèle	Ensemble de support supérieur compatible
TRS-AC1	Compatible avec l'ensemble de support supérieur de 1,5 m (5 pi) (avec un tube de 3,8 cm x 3,8 cm [1 1/2 po x 1 1/2 po])
TRS-AC2	Compatible avec les ensembles de support supérieur de 2 m (7 pi) et 3 m (10 pi) (avec tube de 5 cm x 5 cm [2 po x 2 po])

MISE EN GARDE : Toutes les directives et les mises en garde doivent être lues et comprises avant d'utiliser l'équipement.

6.0 Fonctionnement du système

1. Porter un harnais de sécurité intégral Miller conformément aux directives du fabricant.
2. Installer le manchon de câble Vi-Go au câble de sécurité vertical conformément aux instructions du fabricant.
3. Fixer le manchon de câble au point d'attache à l'avant (conçu pour monter aux échelles) du harnais de sécurité intégral au moyen d'un mousqueton à verrouillage automatique approuvé par Miller ou d'un autre connecteur approuvé par Miller.
4. Vérifier que le système d'ouverture du mousqueton (ou connecteur) est fermé et verrouillé.
5. Monter et descendre l'échelle en passant les guide-câbles intermédiaires, conformément aux instructions fournies par le fabricant avec le manchon de câble.

7.0 Formation

L'utilisateur et l'acheteur de cet équipement ont la responsabilité de se familiariser avec les présentes instructions et d'être formés afin de pouvoir l'utiliser, l'installer, le faire fonctionner, l'inspecter et l'entretenir convenablement et d'en connaître les limites. La formation doit être donnée périodiquement et elle ne doit pas exposer les personnes formées à des risques de chute.

La formation fait partie intégrante de notre solution de protection contre les chutes, car aucun dispositif de protection, peu importe son efficacité, ne peut garantir la sécurité d'un employé qui n'a pas été formé adéquatement. La formation de Miller offre les connaissances et les compétences requises pour créer un environnement de travail sûr et plus productif. Pour en savoir davantage sur la formation de Miller, téléphoner à un représentant dès aujourd'hui : 1 800 873-5242.

8.0 Inspection et entretien

Inspection

Le système Vi-Go est conçu pour les conditions difficiles que l'on rencontre aujourd'hui. Tous ses composants doivent faire l'objet d'inspections fréquentes afin d'en prolonger la durée de vie et d'en préserver le rendement. Faire une inspection visuelle avant chaque utilisation. Une inspection régulière effectuée par une personne compétente afin de déceler les traces d'usure, de dommages ou de corrosion doit faire partie intégrante du programme de sécurité.

Remplacer l'équipement s'il présente l'une des déficiences expliquées dans le présent guide.

Inspection du système

Faire une inspection visuelle des éléments suivants avant chaque utilisation :

- Faire une inspection de tous les composants pour déceler des dommages physiques, des fissures, de l'usure ou de la corrosion.
- Vérifier les fixations, les boulons et les goupilles pour déceler les dommages physiques, les fissures, l'usure et la corrosion.
- Inspecter le câble de sécurité pour déceler les entailles, l'effilochage, les coques, les brins brisés et autres traces d'usure anormale. **(AVERTISSEMENT : Toujours porter des gants lors de l'inspection d'un câble en acier.)**
- Vérifier la tension du câble afin de s'assurer qu'il n'est pas lâche. Raidir le câble selon les indications de la section 5.5 du présent manuel.
- Vérifier s'il y a des composants défectueux ou des ressorts ou des fixations brisés ou manquants. (Pour obtenir des pièces de rechange, composer le numéro suivant : 1 800 873-5242.)
- Inspecter le manchon de câble, le connecteur et le harnais de sécurité intégral conformément aux instructions du fabricant.

Nettoyage et rangement

L'entretien de base de tout équipement de protection contre les chutes Miller prolongera la durée de vie du dispositif et contribuera au bon fonctionnement de ses caractéristiques de sécurité essentielles. Le rangement et l'entretien appropriés après utilisation sont aussi importants que le nettoyage de toute trace de poussière, de corrosion ou de contaminant de l'équipement. Nettoyer les composants du système à l'aide d'un linge humide et d'un savon ou d'un détergent doux, puis l'essuyer avec une serviette. Les aires de rangement doivent être propres et sèches et ne doivent pas être exposées à de la fumée ni à des éléments corrosifs.

Entretien

L'entretien doit être effectué par une personne qualifiée formée pour inspecter et remplacer les composants du système. Il faut inscrire tous les entretiens et les dates d'inspection de ce système dans un registre. **Ce système et tous ses composants et dispositifs ne doivent plus être utilisés s'ils ont été assujettis aux forces d'un arrêt de chute.** Seules les pièces de remplacement d'origine pour l'équipement de protection contre les chutes Miller sont approuvées pour ce système. Si vous avez des questions, communiquez avec le service technique de Honeywell au 1 800 873-5242.

Índice

1.0	Usó previsto.....	31
2.0	Requisitos generales, advertencias y limitaciones.....	31-32
2.1	Advertencias generales relativas a protección contra caídas	
2.2	Advertencias y limitaciones del sistema	
3.0	Requisitos del sistema.....	33
4.0	Diagramas del sistema y descripción de componentes.....	34-36
4.1	Sistema PASANTE AUTOMÁTICO Vi-Go	
4.2	Sistema PASANTE MANUAL Vi-Go	
4.3	Repuestos del sistema	
5.0	Instalación del sistema.....	36-42
5.1	Instalación del soporte superior	
5.2	Instalación del cable en el soporte superior	
5.3	Instalación de las guías intermedias	
5.4	Instalación del soporte inferior	
5.5	Instalación del cable y el montaje tensor en el soporte inferior	
5.6	Opciones de terminación del cable en operaciones de campo	
5.7	Conector de anclaje Vi-Go opcional	
6.0	Operación del sistema.....	42
7.0	Capacitación.....	42
8.0	Inspección y mantenimiento.....	43
	Etiquetas del producto.....	44
	Registro de inspección y mantenimiento.....	45
	Notas.....	46
	Garantía.....	47

¡Muchas gracias!

Gracias por comprar un equipo de protección anticaídas Miller fabricado por Honeywell Safety Products. Los productos de la marca Miller se fabrican de conformidad con las más altas normas de calidad en nuestra planta, que cuenta con la certificación ISO 9001. Con el debido cuidado, los equipos de protección anticaídas Miller le brindarán muchos años de uso.

ADVERTENCIA

Las personas que utilicen este equipo deben leer, comprender y observar todas las instrucciones aplicables para evitar lesiones de gravedad, o incluso la muerte. No utilice este equipo si no cuenta con la capacitación adecuada.

¿Preguntas?

LLAME AL
1.800.873.5242

Todas las personas y usuarios autorizados de este equipo deben leer y comprender estas instrucciones. Asimismo, la legislación federal impone a los empleadores la obligación de garantizar que todos los usuarios se encuentren debidamente capacitados en la instalación, uso, inspección y mantenimiento adecuados de los equipos de protección anticaídas. La capacitación sobre protección anticaídas debe formar parte de todo programa integral de seguridad.

El uso adecuado de sistemas de detención de caídas permite salvar vidas y reducir las posibilidades de que se produzcan lesiones graves en caso de caída. No obstante, los usuarios deben ser conscientes de que las fuerzas ejercidas para detener una caída o durante una suspensión prolongada pueden causar lesiones corporales. Consulte a un médico en caso de duda sobre la capacidad del usuario para usar este producto. Este producto no debe ser utilizado por niños ni mujeres embarazadas.

1.0 Uso previsto

Los sistemas de líneas de anclaje verticales Vi-Go son innovadores sistemas de ascenso y detención de caídas que ofrecen una protección superior en escaleras fijas.

2.0 Requisitos generales, advertencias y limitaciones

2.1 Advertencias generales relativas a protección contra caídas

Las personas y usuarios autorizados deben recibir todas las advertencias e instrucciones pertinentes. Es menester leer y comprender las advertencias e instrucciones antes de usar el equipo.

Las personas y usuarios autorizados deben consultar las reglamentaciones relativas a seguridad laboral, además de los estándares aplicables (es decir, ANSI o CSA). Consulte las etiquetas de los productos para obtener información sobre las reglamentaciones específicas de OSHA y los estándares ANSI y CSA con los que cumple este sistema.

Es preciso tomar todos los recaudos necesarios para eliminar obstrucciones, escombros, materiales u otros riesgos reconocidos en el área de trabajo que puedan producir lesiones personales o interferir con la operación del sistema.

Todos los equipos deben inspeccionarse antes de su uso de conformidad con las instrucciones del fabricante.

Las inspecciones de los equipos deben estar a cargo de una persona calificada y llevarse a cabo de forma regular.

A fin de minimizar los riesgos de desconexión accidental, una persona competente debe verificar la compatibilidad del sistema.

El equipo no debe modificarse de forma alguna. Las reparaciones deben estar a cargo del fabricante u otras personas o entidades autorizadas por escrito por el fabricante.

Descarte de inmediato cualquier producto que presente deformaciones, deterioro o un desgaste inusual.

No utilice si la unidad o cualquier pieza del sistema parecen presentar daños.

Retire de servicio todo equipo que haya sufrido una caída.

Al usar el equipo, el usuario deberá contar con un plan de rescate y medios disponibles para su implementación.

Nunca utilice equipos de protección anticaídas con fines diferentes de los proyectados en su diseño. Nunca utilice equipos de protección anticaídas para realizar tareas de izado o remolque.

No retire las etiquetas de los productos, pues contienen advertencias e información importantes para la persona o el usuario autorizados.

2.2 Advertencias y limitaciones del sistema

Compatibilidad del sistema

Los sistemas de líneas de anclaje verticales Vi-Go están diseñados para su uso junto con componentes aprobados por Honeywell. La sustitución o reemplazo por subsistemas o combinaciones de componentes no aprobados, o ambos, puede afectar o interferir con su funcionamiento seguro y poner en riesgo su compatibilidad con el sistema. Esta incompatibilidad puede, a su vez, afectar la confiabilidad y seguridad total del sistema.

Los sistemas Vi-Go deben usarse de forma conjunta con un casquillo de cable Vi-Go con mosquetón con sistema de autobloqueo (u otro conector aprobado por Honeywell) y un arnés de cuerpo completo Miller equipado con un punto de sujeción delantero apto para el ascenso y descenso de escaleras.

[NOTA: es preciso leer y comprender todas las instrucciones y advertencias suministradas junto con el casquillo de cable, el conector y el arnés antes de usar el equipo].

Capacidad del sistema

El sistema de línea de anclaje vertical Vi-Go admite hasta cuatro usuarios de forma simultánea en tanto la capacidad de soporte de carga de la estructura base resulte adecuada. En los sistemas Vi-Go que utilizan un soporte superior de 10 ft (3 m), el número máximo de usuarios se limita a dos.

La distancia entre los usuarios no debe ser inferior a 5-1/4 ft (1,6 m) para evitar que, en caso de caída, la persona golpee a un usuario ubicado en un nivel inferior. *(Nota: de conformidad con ANSI A14.3, solo puede haber un trabajador entre las guías de cable en el sistema).*

Distancia de seguridad

Cerciórese de que en caso de caída la distancia de seguridad resulte suficiente para evitar impactos con un nivel inferior, otro objeto u otro usuario.

Riesgos medioambientales

Si el equipo ha de utilizarse en áreas donde existen riesgos medioambientales, es posible que resulte necesario tomar precauciones adicionales para limitar la posibilidad de que se produzcan lesiones personales o daños al equipo. Entre otros posibles riesgos, se incluyen temperaturas extremas, productos químicos cáusticos, ambientes corrosivos, líneas de alta tensión, gases explosivos o tóxicos, máquinas en movimiento y bordes filosos. No exponga el equipo a ningún riesgo para el que no haya sido específicamente diseñado. En caso de duda, consulte al fabricante.

- Asegúrese de que el sistema esté libre de grasa, aceite y hielo.
- Es importante mantener limpia la línea de anclaje.
- Este sistema no es apto para su uso sobre superficies inestables o materiales de grano fino o particulados.

3.0 Requisitos del sistema

Antes de instalar un sistema Vi-Go, es preciso certificar que la estructura o la escalera en la que se ha de conectar puede soportar las cargas que se aplicarían en la detención de una caída; asimismo, la estructura o la escalera debe cumplir con los requisitos aplicables a escaleras especificados.

Requisitos aplicables a escaleras

La escalera debe ser una escalera fija con peldaños con un diámetro exterior de entre 3/4" y 1-1/8". De acuerdo con ANSI A14.3, el ancho mínimo de la escalera debe ser de 18 pulgadas entre los rieles internos.

El sistema puede fijarse a peldaños cuadrados, con forma de rombo o de L (hierro angular) en tanto cumplan con los requisitos de diámetro externo mínimo de 3/4" y máximo de 1-1/8". Puede resultar necesario utilizar un separador para instalaciones de hierro angular. Comuníquese con el Servicio técnico de Honeywell al 800-873-5242 para solicitar información adicional y asistencia para la instalación.

Soporte superior

Entre las cargas de conexión, se incluyen la fuerza previa y las fuerzas generadas en la detención de una caída. Los requisitos de carga pueden variar según la cantidad de usuarios en el sistema y la instalación a la estructura (esto es, la cantidad de abrazaderas de peldaño utilizadas).

A los fines del cálculo de la carga que cada peldaño debe poder soportar, se partirá de la premisa de que la carga máxima sobre cada soporte se distribuye de forma uniforme entre el número de abrazaderas de peldaño del soporte superior. [Ejemplo: sobre la base de un sistema de usuario único con soporte superior instalado con tres conexiones de peldaño, la carga presunta para cada peldaño sería de 1.100 lb (3.300/3).] Se ofrece también una abrazadera de peldaño para el soporte superior de compra opcional que permite repartir los requisitos de carga en cuatro (4) peldaños en lugar de en tres (3). [Ejemplo: para un sistema con dos (2) usuarios, las cargas transmitidas a cada peldaño se reducirán de 1.267 lb (3.800/3) a 950 lb. (3.800/4).]

Cantidad de usuarios simultáneos	Carga máxima (lb)*
<i>Para sistemas MANUALES y AUTOMÁTICOS Vi-Go:</i>	
1	3.300 lb
2	3.800 lb
3	4.300 lb
4	4.800 lb

***Los cálculos de carga máxima ofrecen un factor de seguridad de 2:1.**

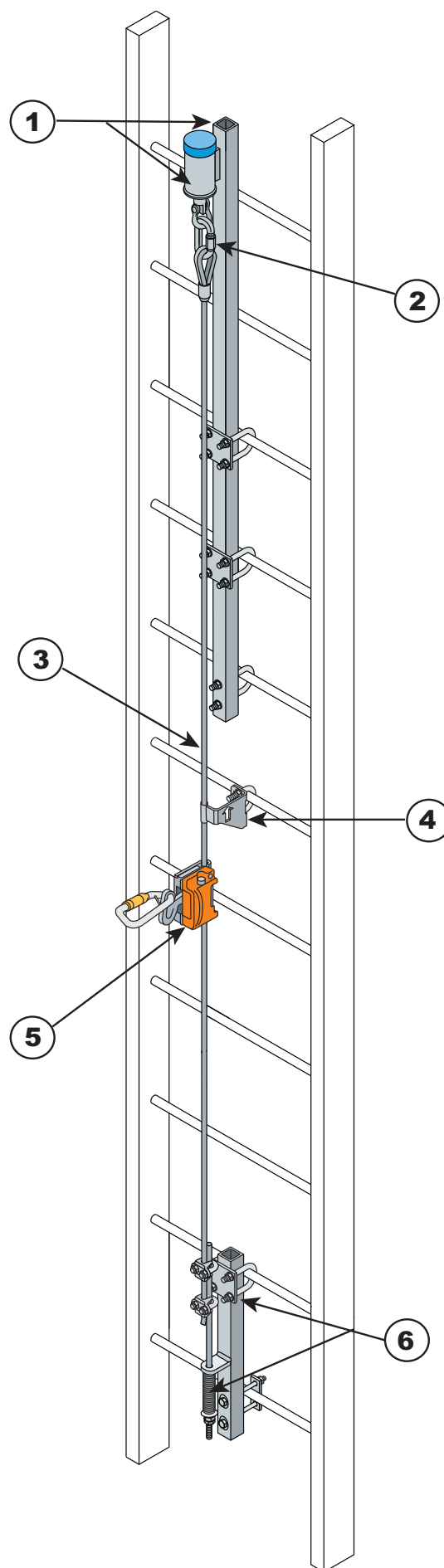
Soporte inferior

La conexión del soporte inferior debe ser capaz de soportar una carga del sistema de 750 lb en la dirección de la carga.

4.0 Diagramas del sistema y descripción de componentes

4.1 Sistema PASANTE AUTOMÁTICO Vi-Go

- 1) Soporte superior con amortiguador de impacto en línea
 - Amortiguador de impacto en línea, que reduce las fuerzas ejercidas sobre el sistema y la estructura en caso de caída.
 - Puede extenderse sobre la escalera a fin de permitir a los trabajadores subir a la plataforma sin desconectarse de la línea de anclaje para una máxima protección.
 - También se encuentra disponible con un soporte superior de 7 ft (2 m) o 10 ft (3 m).
- 2) Dispositivo de enganche rápido
 - Ofrece una conexión rápida y sencilla de la línea de anclaje al amortiguador de impacto en línea.
- 3) Línea de anclaje
 - Línea de anclaje de acero galvanizado de 3/8".
- 4) Guía de cable pasante automático
 - Mantiene el cable en posición, impidiendo su movimiento excesivo en condiciones ventosas y el contacto con la escalera o la estructura.
 - Se adapta a estructuras curvas.
 - Gracias a su función pasante automática, el casquillo de cable pasante automático Vi-Go puede sobrepasar las guías sin ningún tipo de asistencia manual, lo que brinda al usuario máximo confort al ofrecer sujeción con manos libres, un ascenso y descenso más rápidos y el más alto nivel de seguridad.
- 5) Casquillo de cable pasante automático Vi-Go
 - **El casquillo de cable es de compra opcional. Se encuentra disponible con pivote y mosquetón con sistema de autobloqueo incorporados, únicamente con mosquetón o sin conector.**
 - Estructura de acero inoxidable resistente a la corrosión.
 - Instalación rápida y sencilla y operación exclusiva con una sola mano.
 - Mecanismo integrado, que impide la instalación invertida del casquillo en el cable.
 - Sujeción con manos libres durante el ascenso y descenso.
 - Mecanismos activados por resortes, que regresan siempre el mecanismo a la posición inicial.
 - Mecanismo de bloqueo doble, que impide la desconexión accidental del casquillo.
 - Bloqueo instantáneo en caso de caída.
 - Indicador de caída/ amortiguador de impacto incorporado, que reduce las fuerzas de detención de caída y permite una fácil inspección.
- 6) Soporte inferior con tensor de línea de anclaje
 - El tensor de línea de anclaje de función doble indica si la línea de anclaje se encuentra correctamente ajustada e impide la deformación de los peldaños de la escalera.



4.2 Sistema PASANTE MANUAL Vi-Go

- 1) Soporte superior con amortiguador de impacto en línea
 - Amortiguador de impacto en línea, que reduce las fuerzas ejercidas sobre el sistema y la estructura en caso de caída.
 - Puede extenderse sobre la escalera a fin de permitir a los trabajadores subir a la plataforma sin desconectarse de la línea de anclaje para una máxima protección.
 - También se encuentra disponible con un soporte superior de 7 ft (2 m) o 10 ft (3 m).

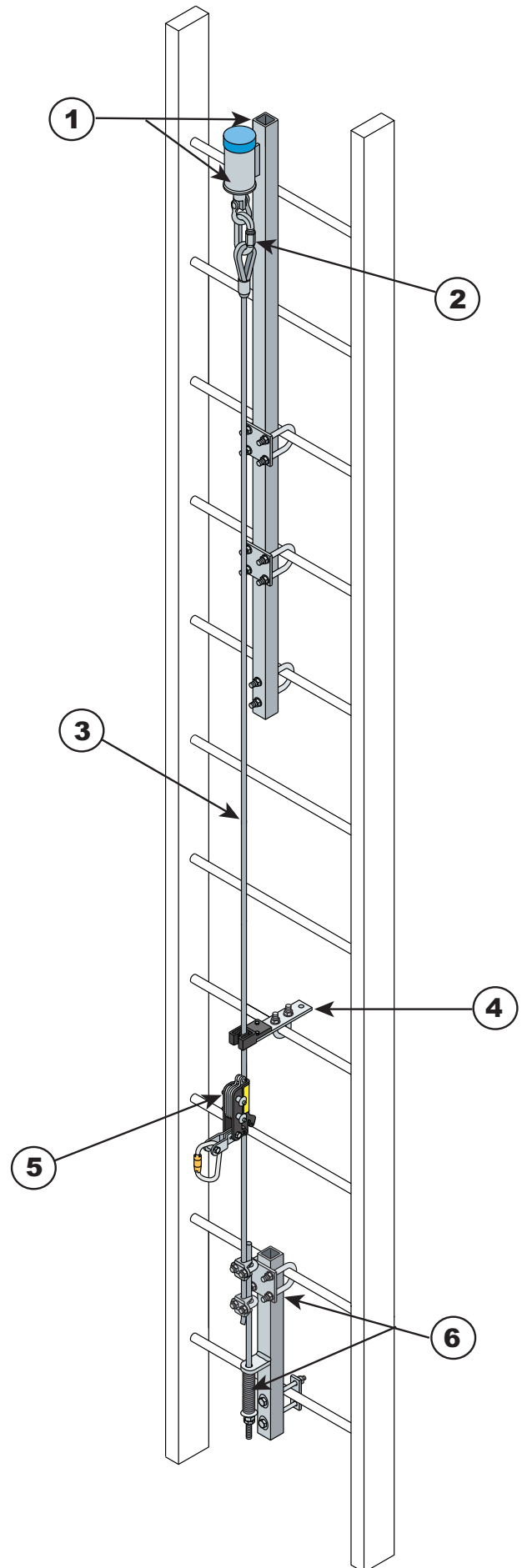
- 2) Dispositivo de enganche rápido
 - Ofrece una conexión rápida y sencilla de la línea de anclaje al amortiguador de impacto en línea.

- 3) Línea de anclaje
 - Línea de anclaje de acero galvanizado de 3/8".

- 4) Guía de cable pasante manual
 - Mantiene el cable alejado de la escalera o estructura.
 - Totalmente adaptable a condiciones de poco y mucho viento.
 - Con la función pasante manual, es necesario desenganchar el cable para que el casquillo pueda sobrepasarlo.

- 5) Casquillo de cable pasante manual Vi-Go
 - **El casquillo de cable es de compra opcional. Se encuentra disponible con pivote y mosquetón con sistema de autobloqueo incorporados, únicamente con mosquetón o sin conector.**
 - Fácil conexión con el cable y operación de sujeción con manos libres entre las guías intermedias del cable.
 - Bloqueo instantáneo en caso de caída.

- 6) Soporte inferior con tensor de línea de anclaje
 - El tensor de línea de anclaje de función doble indica si la línea de anclaje se encuentra correctamente ajustada e impide la deformación de los peldaños de la escalera.



4.3 Repuestos del sistema

N.º de pieza	Componente	Descripción
TRTB	Soporte superior	El soporte de acero galvanizado de 5 ft (1,5 m) (tubo de 1-1/2" x 1-1/2") incluye un amortiguador de impacto en línea con grillete, dos abrazaderas de peldaño (cada una con una placa de montaje de 4 orificios para tubo de 1-1/2", dos pernos en "U" de 3/8"-16 x 1-5/8" x 3-1/2", cuatro arandelas de seguridad de 3/8" y cuatro tornillos de tuerca hexagonal de 3/8"-16) y abrazadera de peldaño inferior (con perno en "U" de 3/8"-16 x 1-5/8" x 3-1/2", dos arandelas de seguridad de 3/8", dos sujetadores de tuercas hexagonales de 3/8"-16 y dos tornillos de casquete).
TRTB-7	Soporte superior de 7 ft (2 m)	El brazo de acero galvanizado de 7 ft (2 m) (tubo de 2" x 2") incluye un amortiguador de impacto en línea con grillete, dos abrazaderas de peldaño (cada una con una placa de montaje de 4 orificios para tubo de 2", dos pernos en "U" de 3/8"-16 x 1-5/8" x 3-1/2", cuatro arandelas de seguridad de 3/8" y cuatro tornillos de tuerca hexagonal de 3/8"-16) y abrazadera de peldaño inferior (con dos pernos de 3/8"-16 x 4", dos arandelas planas de 3/8", placa de montaje con dos orificios, dos arandelas de seguridad de 3/8" y dos sujetadores de tuercas hexagonales de 3/8"-16).
TRTB-10	Soporte superior de 10 ft (3 m)	El soporte de acero galvanizado de 10 ft (3 m) (tubo de 2" x 2") incluye un amortiguador de impacto en línea con grillete, dos abrazaderas de peldaño (cada una con una placa de montaje de 4 orificios para tubo de 2", dos pernos en "U" de 3/8"-16 x 1-5/8" x 3-1/2", cuatro arandelas de seguridad de 3/8" y cuatro tornillos de tuerca hexagonal de 3/8"-16) y abrazadera de peldaño inferior (con dos pernos de 3/8"-16 x 4", dos arandelas planas de 3/8", placa de montaje con dos orificios, dos arandelas de seguridad de 3/8" y dos sujetadores de tuercas hexagonales de 3/8"-16).
TRRCA	Abrazadera de peldaño adicional (para soportes superior de 5 ft)	Incluye placa de montaje de 4 orificios para tubo de 1-1/2", dos pernos en "U" de 3/8"-16 x 1-5/8" x 3-1/2", cuatro arandelas de seguridad de 3/8" y cuatro tornillos de tuerca hexagonal de 3/8"-16.
TRRCA-10	Abrazadera de peldaño adicional (para soportes superiores de 7 ft y 10 ft)	Incluye placa de montaje de 4 orificios para tubo de 2", dos pernos en "U" de 3/8"-16 x 1-5/8" x 3-1/2", cuatro arandelas de seguridad de 3/8" y cuatro tornillos de tuerca hexagonal de 3/8"-16.
TRLL	Línea de anclaje de cable	Cable de acero galvanizado de 3/8" con guardacabo. Varias longitudes disponibles.
TRQL	Dispositivo de enganche rápido	Dispositivo de enganche rápido para conectar el cable al grillete en el amortiguador de impacto en línea.
VGCG	Guía de cable pasante automático	El soporte de guía de cable de acero galvanizado incluye un perno en "U" M10 de 1,5 mm x 1-1/2" x 2-9/16", dos arandelas planas M10 y dos contratruercas M10 de 1,5 mm.
TRCG	Guía de cable pasante manual	El soporte de cable de acero galvanizado con cabeza de retención de cable de poliuretano convertible incluye un perno en "U" de 3/8"-16 x 1-1/4" x 2", dos arandelas de seguridad de 3/8", dos tuercas hexagonales de 3/8"-16, dos pernos de 1/4"-20 x 1-1/4", cuatro arandelas planas de 1/4" y dos contratruercas de 1/4"-20.
TRBB	Soporte inferior	El soporte de acero galvanizado (tubo de 1-1/2" x 1-1/2") incluye una abrazadera de peldaño (con placa de montaje de 4 orificios para tubo de 1-1/2", dos pernos en "U" de 3/8"-16 x 1-5/8" x 3-1/2", cuatro arandelas de seguridad de 3/8" y cuatro tornillos de tuerca hexagonal de 3/8"-16), abrazadera de peldaño inferior (con dos pernos de 3/8"-16 x 3", dos arandelas planas de 3/8", placa de montaje de 2 orificios, dos arandelas de seguridad de 3/8" y dos tornillos de tuerca hexagonal de 3/8"-16) y varilla tensora (con resorte de compresión, dos clips de abrazadera, arandela de 7/16" y seis sujetadores de tuercas hexagonales de 7/16"-14).
N.º de modelo	Casquillo de cable	
VGCS	Casquillo de cable pasante automático Vi-Go [también disponible con mosquetón (VGCS-C) o con pivote y mosquetón incorporados (VGCS-SC)]	
TRCS	Casquillo de cable pasante manual Vi-Go [también disponible con mosquetón (TRCS-C) o con pivote y mosquetón incorporados (TRCS-SC)]	

5.0 Instalación del sistema

- Antes de proceder con la instalación, inspeccione cuidadosamente todos los componentes del sistema de acuerdo con las instrucciones del fabricante (consulte la sección 8.0, Inspección y mantenimiento). No utilice el sistema si presenta piezas faltantes o dañadas (consulte la sección 4.3, Repuestos del sistema).
- Asegúrese de que la estructura/ escalera sobre la que se fijará el sistema Vi-Go puede soportar las cargas producidas por una caída (consulte la sección 3.0, Requisitos del sistema).
- Para facilitar la instalación, se ofrece un Kit de instalación Vi-Go (TRIK) de compra opcional. Comuníquese con su distribuidor de productos Miller.

ADVERTENCIA: es menester usar un equipo de protección anticaídas durante la instalación. Las personas responsables de la instalación del sistema deben actuar con suma precaución y no quedar expuestos a un riesgo de caída durante el procedimiento de instalación. No conecte a ningún componente de un sistema instalado de forma parcial.



Descripción general de la instalación del sistema: Se recomienda instalar el sistema de línea de anclaje vertical Vi-Go comenzando por la parte superior de la escalera en dirección descendente.

Herramientas requeridas para la instalación: llave de torsión, dados estándar de 7/8" y 3/4", dado largo de 9/16", llaves estándar de 7/16", 11/16" y 3/4", llave de pata de 17 mm (únicamente para la pieza VGCG), cortacables con capacidad mínima de 3/8" (capacidad óptima: 5/8") y cinta de medición.

5.1 Instalación del soporte superior

El soporte superior puede extenderse sobre la escalera a fin de permitir a los trabajadores subir a la plataforma sin desconectarse de la línea de anclaje. Si bien se recomienda fijarlo en el centro de la escalera para facilitar su acceso y uso, el soporte también puede instalarse hacia un lateral de resultar necesario.

Para conocer la instalación típica del soporte superior de 5 ft (1,5 m), consulte la figura 1a. Esta configuración de instalación es apta para hasta cuatro (4) usuarios de forma simultánea. Los soportes superiores de 7 ft (2 m) y 10 ft (3 m) se instalan tal como se muestra en la figura 1b. **[Nota: todos los sistemas que utilizan un soporte superior 10 ft (3 m) son aptos para hasta dos (2) usuarios].**

Es posible utilizar una abrazadera de peldaño adicional en la instalación del soporte superior para reducir la transmisión de cargas a cada peldaño (consulte la figura 1c).

En sistemas limitados a un (1) usuario, el soporte superior de 5 ft (1,5 m) puede instalarse con dos abrazaderas de peldaño (consulte la figura 1d). Asegúrese de que la escalera pueda soportar la carga entre ambos peldaños.

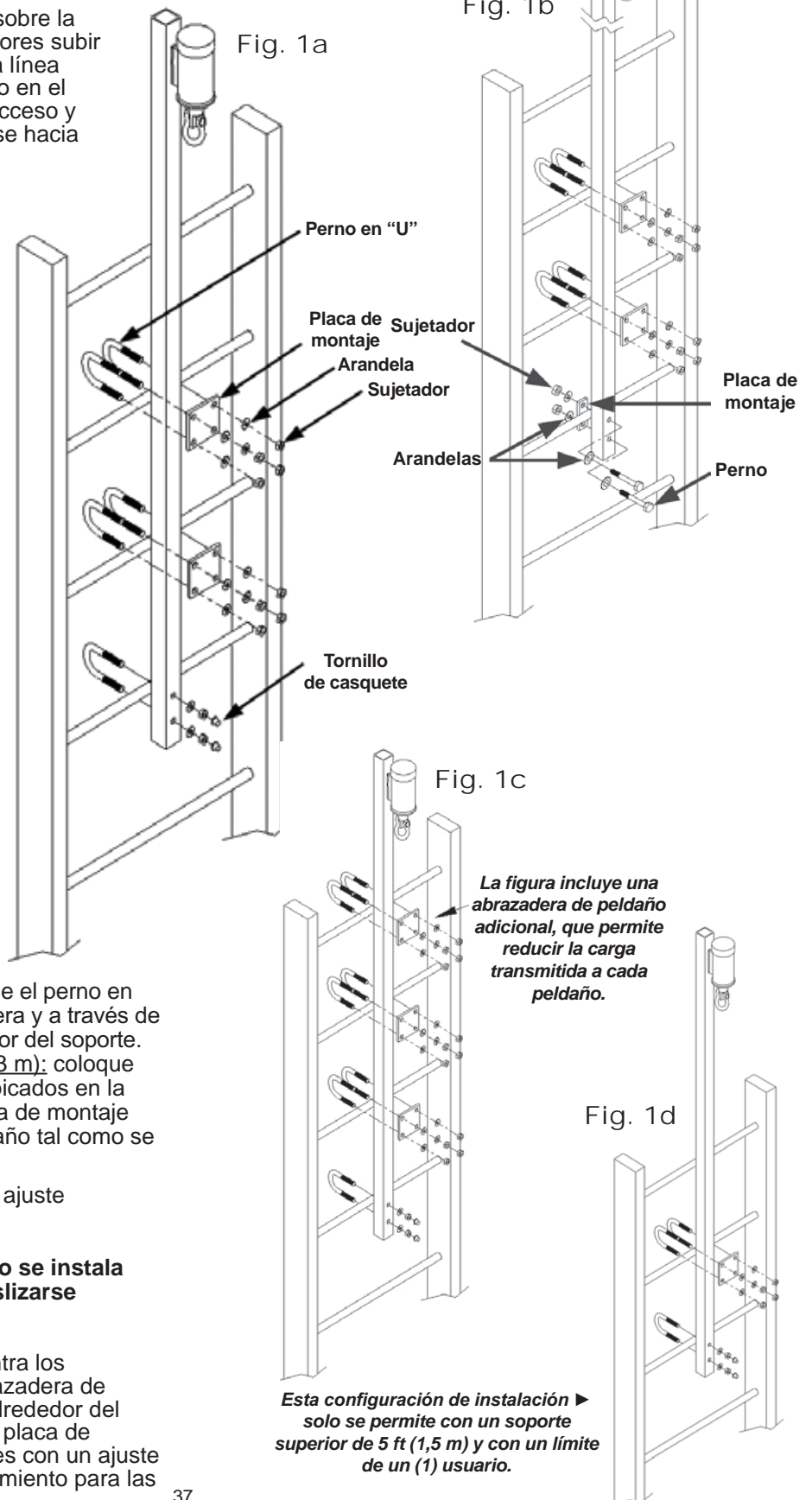
1. Apoye el soporte superior contra los peldaños de la escalera a la altura deseada (consulte la figura 1a o 1b). Instale en primer lugar la abrazadera de peldaño.

Para el soporte de 5 ft (1,5 m): coloque el perno en "U" alrededor del peldaño de la escalera y a través de los orificios ubicados en la parte inferior del soporte. Para el soporte de 7 ft (2 m) o 10 ft (3 m): coloque los pernos a través de los orificios ubicados en la parte inferior del soporte y de la placa de montaje ubicada en el lateral opuesto al peldaño tal como se muestra en la figura.

Instale arandelas y sujetadores con un ajuste de 20 +/- 2 libras-pie.

ADVERTENCIA: si el perno en "U" no se instala correctamente, el soporte puede deslizarse bajo carga.

2. Continúe sosteniendo el soporte contra los peldaños de la escalera. Instale la abrazadera de peldaño colocando los pernos en "U" alrededor del peldaño de la escalera y a través de la placa de montaje. Instale arandelas y sujetadores con un ajuste de 20 +/- 2 libras-pie. Repita el procedimiento para las restantes abrazaderas.



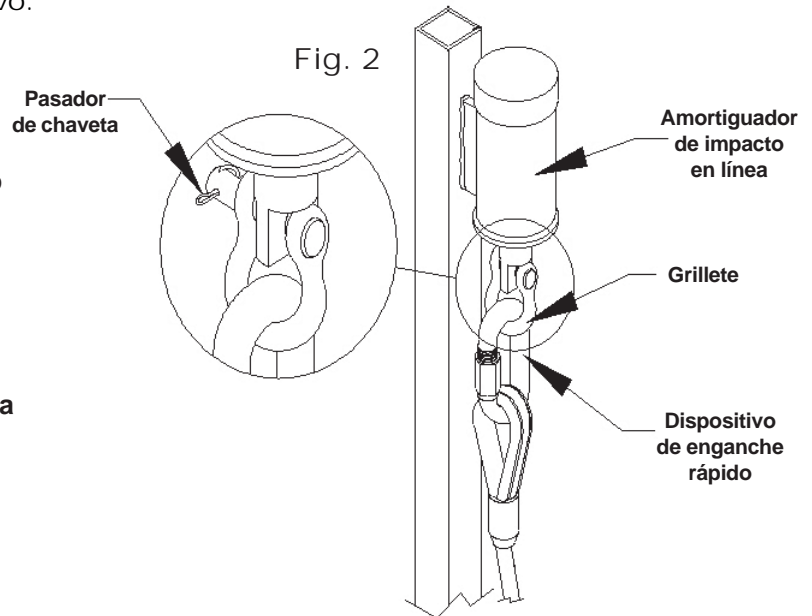
5.2 Instalación del cable en el soporte superior

Utilice únicamente un cable aprobado por Honeywell. Inspeccione el cable antes de instalarlo. No instale un cable si presenta daños. Es preciso usar gafas de seguridad y guantes durante la manipulación del cable.

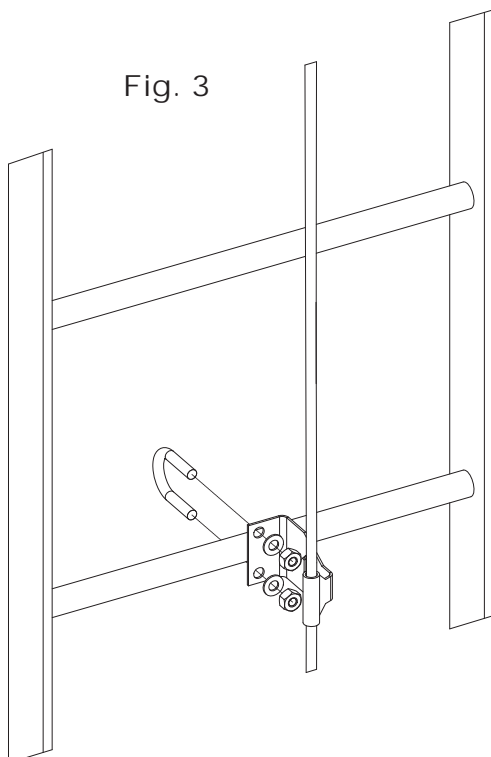
De resultar necesario o recomendable cortar el cable in situ durante el procedimiento de instalación, consulte la sección 5.6, Opciones de terminación del cable en operaciones de campo. **ADVERTENCIA:** es preciso leer y comprender todas las instrucciones y advertencias suministradas junto con el equipo para el cuerpo antes de usar el dispositivo.

1. Instale el dispositivo de enganche rápido en el guardacabo del cable (consulte la figura 2).
2. A continuación, conecte el dispositivo de enganche rápido con el cable al grillete ubicado debajo del amortiguador de impacto en línea. Ajuste firmemente el dispositivo de enganche rápido. No utilice el equipo si el dispositivo de enganche rápido no se cierra y ajusta.

NOTA: verifique que el pasador de chaveta atraviese el perno del grillete de forma inclinada para impedir que se salga. NO UTILICE EL SISTEMA SI NO TIENE EL PASADOR DE CHAVETA.



5.3 Instalación de las guías intermedias



Las guías intermedias de cable están especialmente diseñadas para evitar una curvatura excesiva del cable y la fricción contra la escalera o la estructura, y deben colocarse a intervalos mínimos de 25 ft (7,6 m) y máximos de 40 ft (12,2 m) a lo largo del cable desde el soporte superior hasta el inferior. Las guías de cable pueden colocarse en cualquier punto a lo largo del cable que pueda entrar en contacto con la escalera o la estructura. En condiciones ventosas o de alta vibración, se recomienda colocarlas a menor distancia entre sí.

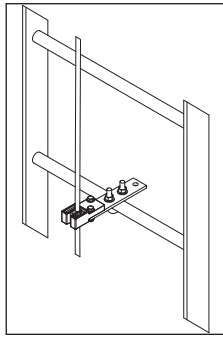
Guías de cable pasante AUTOMÁTICO

1. Apoye la guía intermedia de cable contra el peldaño de la escalera (consulte la figura 3).
2. Instale un perno en "U" alrededor del peldaño y a través de los orificios suministrados en la guía tal como se muestra en la figura.
3. Instale arandelas y sujetadores con un ajuste de 20 +/- 2 libras-pie.

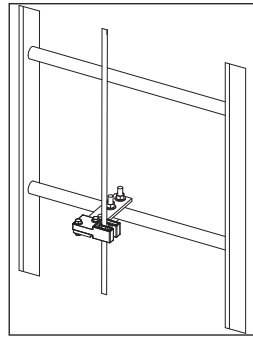
Guías de cable pasante MANUAL

Instalación típica

1. Apoye la guía de cable sobre la parte superior del peldaño de la escalera (consulte la figura 4a).
2. Instale el perno en "U" debajo del peldaño de la escalera y a través de los orificios suministrados en la guía del cable.
3. Instale arandelas y sujetadores con un ajuste de 20 +/- 2 libras-pie.



Instalación típica



Instalación en ángulo de 90°

Instalación en ángulo de 90°

Nota: en áreas muy ventosas, es posible girar la guía de cable 90° en cualquier dirección. Si la instalación requiere esta opción, las guías de cable deben alternarse de izquierda a derecha a lo largo de todo el sistema.

1. Quite los sujetadores del extremo de la guía de cable.
2. Gire el extremo 90° y vuelva a insertar los sujetadores (consulte la figura 4b).
3. Apriete los sujetadores con un ajuste de 20 +/- 2 libras-pie.
4. Para instalar la guía de cable con un extremo a 90°, siga el procedimiento anterior, con la excepción de que deberá insertar el perno en "U" a través de los dos orificios más alejados del extremo del cable en el soporte de la guía.

Fig. 4a

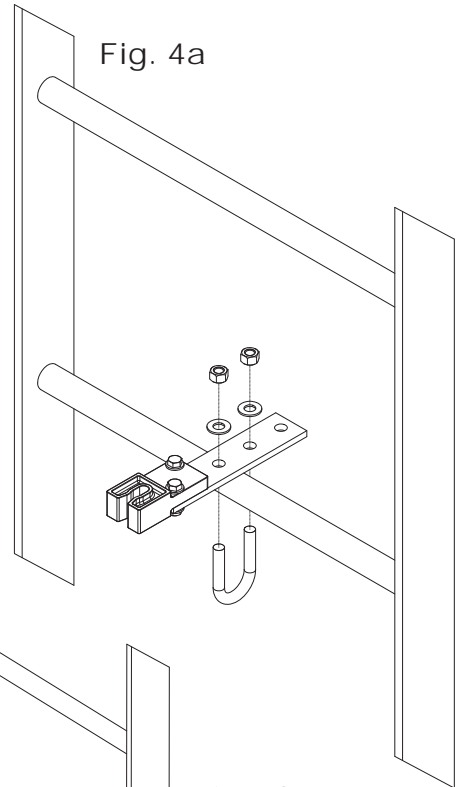
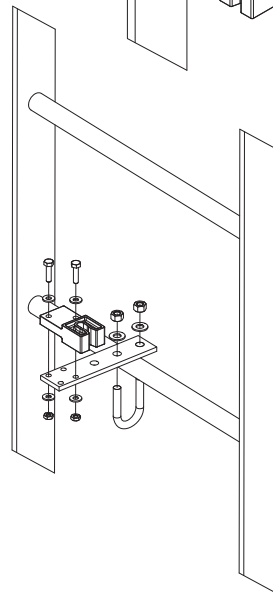


Fig. 4b



5.4 Instalación del soporte inferior

ADVERTENCIA: inspeccione el soporte inferior. No lo utilice si presenta componentes faltantes o dañados. De existir componentes faltantes, dañados o excluidos, el soporte puede deslizarse bajo carga.

1. Coloque el soporte inferior contra los peldaños de la escalera en la ubicación deseada alineando el soporte de modo que el peldaño quede centrado entre los dos orificios ubicados de forma vertical en la parte inferior del soporte (consulte la figura 5).
2. Instale los pernos a través de los orificios ubicados en la parte inferior del soporte y de la placa ubicada en el lateral opuesto, junto con las arandelas correspondientes, tal como se muestra en la figura. Apriete los sujetadores con un ajuste de 20 +/- 2 libras-pie.
3. Instale pernos en "U" alrededor del peldaño de la escalera a la altura del soporte superior y a través de los orificios de la placa de montaje. Instale arandelas y sujetadores con un ajuste de 20 +/- 2 libras-pie.

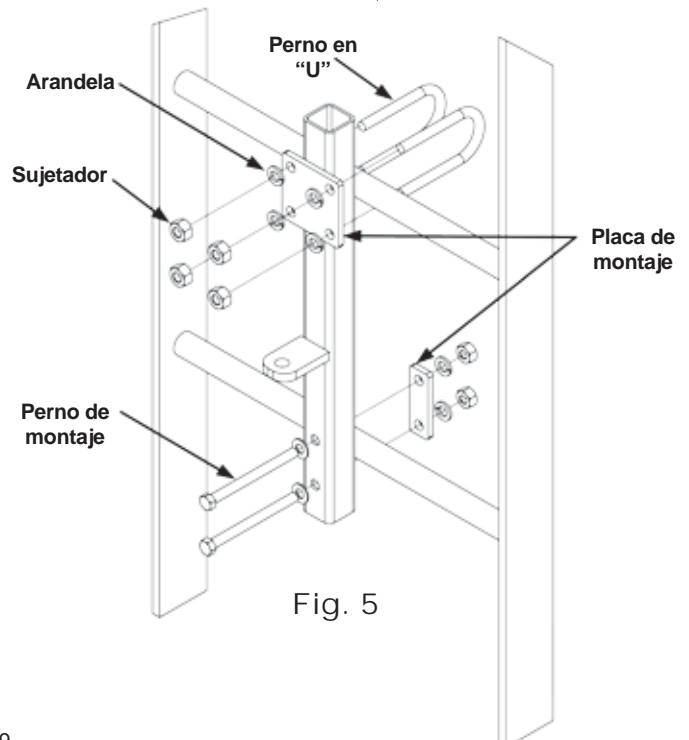
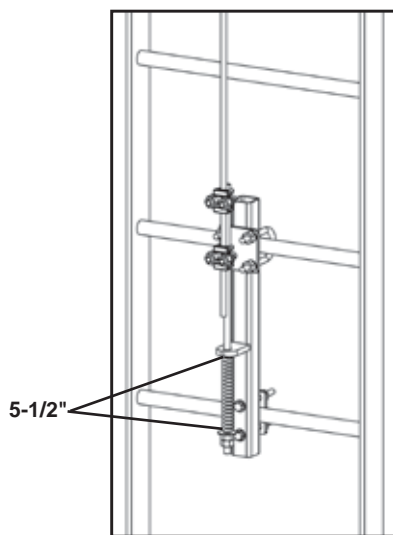


Fig. 5

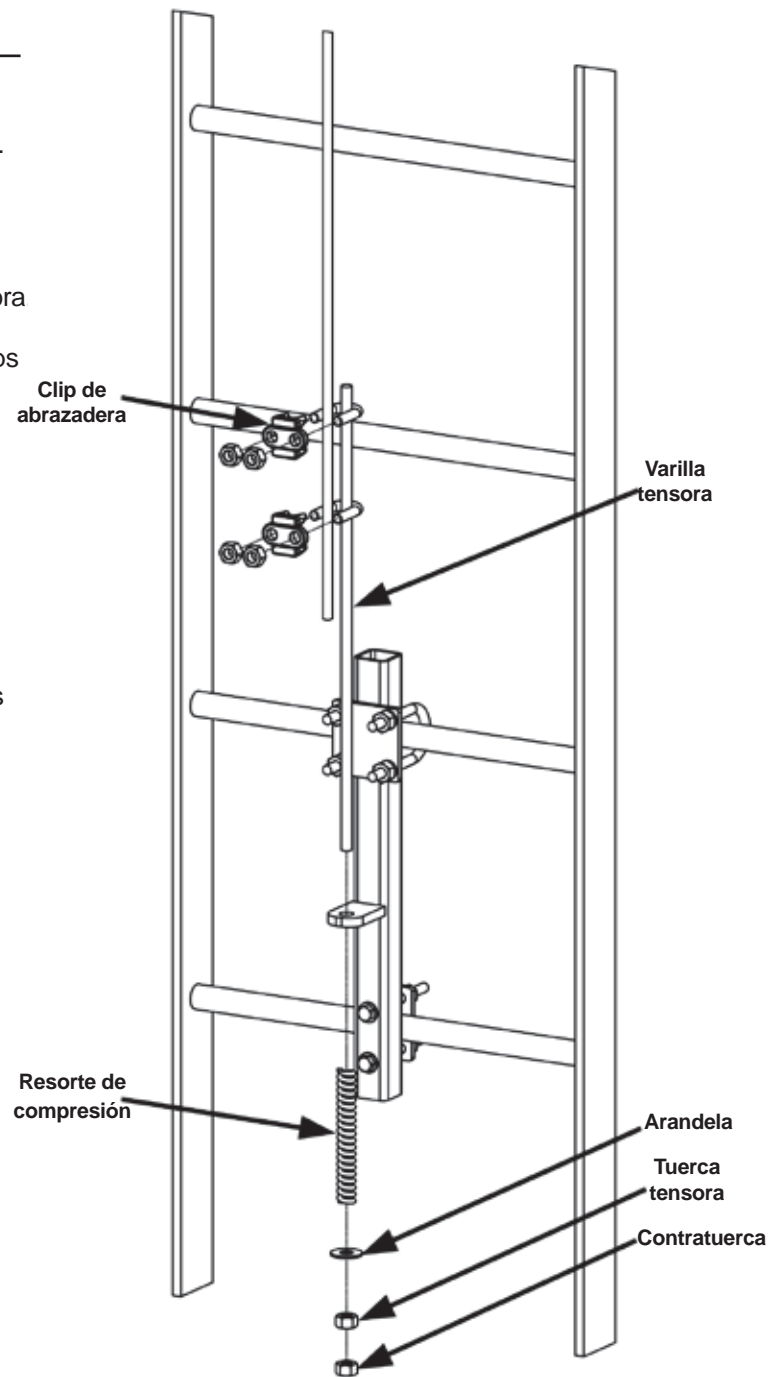
5.5 Instalación del cable y el montaje tensor en el soporte inferior

Fig. 6

1. Instale los clips de abrazadera alrededor del cable conectado a la varilla tensora (consulte la figura 6).
2. Deslice la varilla tensora por el cable en sentido descendente y a través del orificio ubicado en el soporte inferior hasta contar con una cantidad de filetes suficientes para permitir la instalación del resorte de compresión, la arandela y la tuerca tensora
3. Quite el exceso de cable tirando de él a través de los clips de abrazadera. Ajuste y apriete los clips de abrazaderas a entre 40 y 45 libras-pie.
4. Ajuste la tuerca tensora hasta que el cable quede tirante. Presione el resorte hasta alcanzar una distancia de 5-1/2". No comprima por completo el resorte. Si la cantidad de filetes es insuficiente, repita el procedimiento a partir del paso 3.
5. Al alcanzar la tensión de cable deseada, instale la contratuerca contra la tuerca tensora.
6. Deseche el exceso de cable cortándolo aproximadamente a 3" por debajo del clip de abrazadera inferior (si bien el mínimo requerido es de 1", se recomienda una distancia de 3").



▲ Soporte inferior completo con montaje tensor y cable incorporados



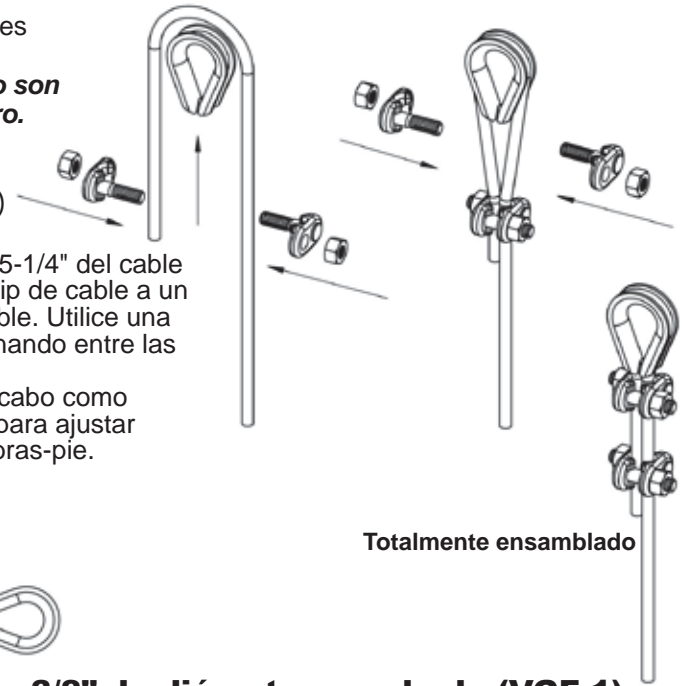
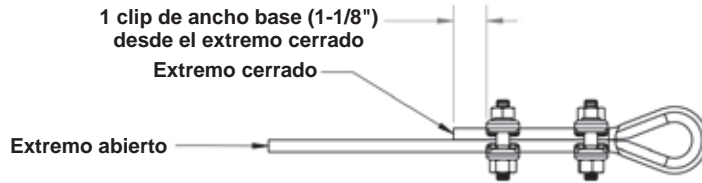
IMPORTANTE: luego de completar la instalación, se requiere una inspección final del sistema, la escalera y la estructura. Con un lector de mano, defina la capacidad nominal del sistema, la fecha de instalación y las fechas de inspección/ reparación utilizando los espacios suministrados en la etiqueta. Fije la etiqueta a la escalera o estructura con el amarre de nylon suministrado. Coloque la escalera en un lugar de fácil acceso para cualquier persona que utilice el sistema. Registre la información de identificación del sistema en la sección de inspección y mantenimiento de este manual.

5.6 Opciones de terminación del cable en operaciones de campo

Para una máxima versatilidad, se ofrecen diversas opciones para la terminación del cable durante las operaciones de campo dependiendo de su longitud. **Estas opciones solo son compatibles con cables aprobados de 3/8" de diámetro.**

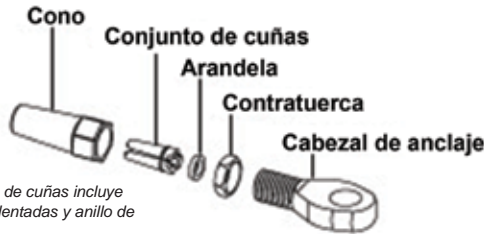
Kit de terminación de cable con cable de acero y guardacabo (VGTWC)

1. Pase el cable por el guardacabo, tirando hacia atrás 5-1/4" del cable desde el extremo del guardacabo. Instale el primer clip de cable a un ancho base (1-1/8") desde el extremo cerrado del cable. Utilice una llave de torsión para ajustar de forma uniforme, alternando entre las tuercas hasta alcanzar un ajuste de 45 libras-pie.
2. Instale el segundo clip de cable tan cerca del guardacabo como resulte posible. Vuelva a utilizar una llave de torsión para ajustar de forma uniforme hasta alcanzar un apriete de 45 libras-pie.



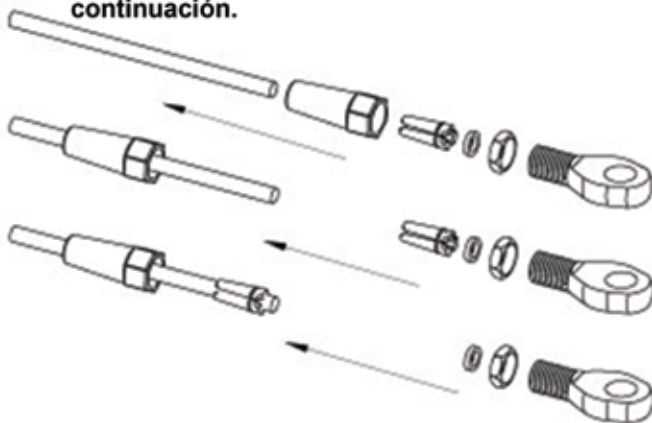
Herraje de fijación rápida para cable de 3/8" de diámetro aprobado (VGF-1)

Desarme el herraje de fijación y verifique el componente.



*El conjunto de cuñas incluye tres cuñas dentadas y anillo de retención.

1. Deslice el cono, el conjunto de cuñas y la arandela sobre el extremo del cable tal como se muestra a continuación.



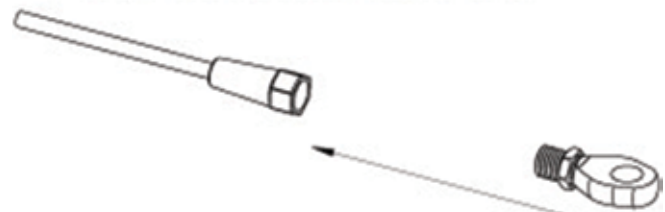
2. Enrosque la contratuerca en el cabezal de anclaje.



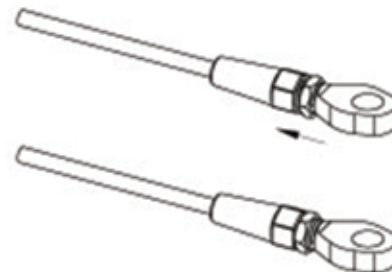
3. Deslice el cono sobre el conjunto de cuñas y la arandela.



4. Enrosque el cabezal de anclaje en el cono.

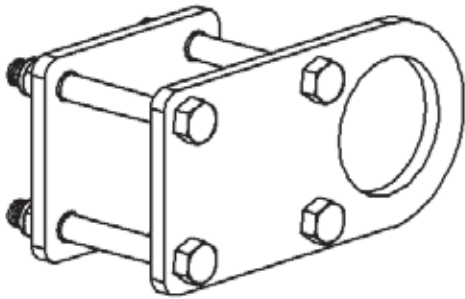


5. Ajuste la contratuerca al cono. La torsión debe ser de aproximadamente 20 pies por libra (2,7 kg de fuerza)



Herraje de fijación completo

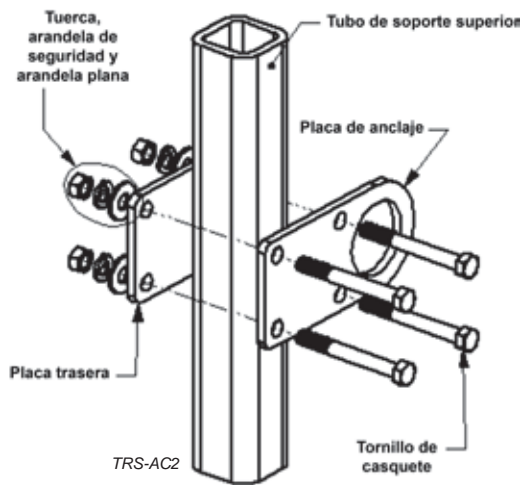
5.7 Conector de anclaje Vi-Go opcional



Conector de anclaje Vi-Go

El conector de anclaje Vi-Go está diseñado para brindar un práctico punto de sujeción cuando los trabajadores ingresan o salen de la parte superior de los sistemas de línea de anclaje vertical Vi-Go. El conector de anclaje Vi-Go está diseñado para una sola persona y tiene una capacidad de 310 lb (140,6 kg).

Modelo	Soporte superior compatible
TRS-AC1	Compatible con soporte superior de 5 ft (1,5 m) (con tubo de 1,5" x 1,5")
TRS-AC2	Compatible con soportes superiores de 7 ft (2 m) y 10 ft (3 m) (con tubo de 2" x 2")



ADVERTENCIA: es preciso leer y comprender todas las instrucciones y advertencias suministradas junto con el conector de anclaje antes de usar el equipo.

6.0 Operación del sistema

1. Colóquese un arnés de cuerpo completo Miller de acuerdo con las instrucciones del fabricante.
2. Instale el casquillo de cable Vi-Go en la línea de anclaje vertical siguiendo las instrucciones del fabricante.
3. Conecte el casquillo de cable al punto de sujeción delantero (que ha sido diseñado para el ascenso en escaleras) de un arnés de cuerpo completo Miller que cuente con un mosquetón con sistema de autobloqueo u otro conector aprobado por Miller.
4. Verifique que el tirante/ muelle del mosquetón (o conector) estén cerrados y bloqueados.
5. Al atravesar las guías de cable durante el ascenso o descenso, siga las instrucciones del fabricante suministradas con el casquillo de cable.

7.0 Capacitación

El usuario y el comprador de este equipo deben estar familiarizados con estas instrucciones y debidamente capacitados en la instalación, uso, inspección, mantenimiento y limitaciones de este producto. Es preciso llevar a cabo capacitaciones periódicas sin exponer a los aprendices a riesgos de caídas.

La capacitación forma parte integral de nuestra Solución total en protección anticaídas, dado que ningún equipo de protección contra caídas –independientemente de su eficacia– puede por sí solo proteger a un empleado que no se encuentra capacitado acerca de su uso. A fin de satisfacer este requisito vital, el servicio de capacitación de Miller brinda los conocimientos y habilidades necesarios para lograr un ambiente de trabajo seguro y con mayor productividad. Para obtener más información sobre los servicios de capacitación de Miller, comuníquese hoy mismo con un representante al 800.873.5242.

8.0 Inspección y mantenimiento

Inspección

El sistema Vi-Go está diseñado para los exigentes entornos de trabajo actuales. Para mantener su vida útil y óptimo rendimiento, todos los componentes deben inspeccionarse de forma frecuente. Realice una inspección visual antes de cada uso. Las inspecciones regulares a cargo de una persona competente para detectar cualquier posible desgaste, daño o corrosión deben formar parte de todo programa integral de seguridad.

De detectar cualquiera de las condiciones defectuosas explicadas en este manual, reemplace el equipo.

Inspección del sistema

Antes de cada uso, realice una inspección visual que comprenda lo siguiente:

- Busque la posible presencia de daños, grietas, desgaste o corrosión en todos los componentes.
 - Controle los sujetadores, pernos y pasadores para detectar posibles daños, grietas, desgaste o corrosión.
 - Inspeccione la línea de anclaje para detectar posibles cortes, torceduras, elementos deshilachados, correas rotas u otros signos de desgaste inusual.
- [PRECAUCIÓN: use siempre guantes al inspeccionar el cable de acero].**
- Controle la tensión del cable para verificar que no tenga juego. Vuelva a tensionar el cable de acuerdo con las instrucciones de la sección 5.5 de este manual.
 - Determine si existen componentes que funcionen incorrectamente, además de resortes y sujetadores rotos o faltantes. [Si desea solicitar repuestos, llame al 800.873.5242]
 - Inspeccione el casquillo de cable, el conector y el arnés de cuerpo completo de acuerdo con las instrucciones del fabricante.

Limpieza y almacenamiento

El cuidado básico de todos los equipos de protección anticaídas Miller ayuda a prolongar su vida útil y favorece un óptimo rendimiento para su función de seguridad vital. Igual importancia reviste la limpieza del equipo para eliminar suciedad y sustancias corrosivas o contaminantes. Limpie los componentes del sistema con un paño húmedo y detergente o jabón suaves. Séquelos con una toalla. Las áreas de almacenamiento deben estar limpias, secas y libres de toda exposición a gases o elementos corrosivos.

Reparaciones

Las tareas de reparación deben estar a cargo de una persona capacitada en la inspección y reemplazo del sistema. Es preciso llevar un registro con las fechas de realización de todas las tareas de inspección, reparación y mantenimiento. **Este sistema y todos sus componentes y dispositivos deben retirarse de servicio si han quedado sujetos a fuerzas de detención de caída.** Únicamente se admite el uso de repuestos para protección anticaídas Miller aprobados. En caso de duda, comuníquese con el Servicio técnico de Honeywell al 800.873.5242.

Product Labels Étiquettes de Produit Etiquetas del producto



by Honeywell



OSHA 1926.502,
1910.27; ANSI A14.3;
CSA Z259.2.1-98
Class (Classe) AS

LB1019 REV. B

Vi-Go Climbing System

⚠ WARNING / AVERTISSEMENT

Manufacturer's instructions supplied with this product at the time of shipment must be followed. **FAILURE TO DO SO MAY RESULT IN SERIOUS INJURY OR DEATH!**

Les instructions du fabricant fournies avec ce dispositif lors de sa livraison doivent être respectées. **LE NON RESPECT DE CES INSTRUCTIONS PEUT PROVOQUER DES BLESSURES GRAVES OU MÊME LA MORT !**

SYSTEM CAPACITY RATING (CHARGE NOMINALE DU SYSTÈME)			
NUMBER OF USERS ATTACHED TO SYSTEM MUST NOT EXCEED (LE NOMBRE D'UTILISATEURS ATTACHÉS AU SYSTÈME NE DOIT PAS DÉPASSER)	1	3	
	2	4	

PUNCH DATE OF INSTALLATION/INSPECTION (INSCRIRE LA DATE D'INSTALLATION/D'INSPECTION)												
YR	J	F	M	A	M	J	J	A	S	O	N	D
1												
2												
3												
4												
5												
6												

Honeywell Safety Products • Franklin, PA U.S.A. • 800-873-5242

Inspection and Maintenance Log

Registre D'inspection et D'entretien

Registro de inspección y mantenimiento

DATE OF MANUFACTURE: _____
 DATE DE FABRICATION / FECHA DE FABRICACIÓN

MODEL NUMBER: _____
 NUMÉRO DE MODÈLE / NÚM. DE MODELO

DATE PURCHASED: _____
 DATE D'ACHAT / FECHA DE COMPRA

INSPECTION DATE DATE D'INSPECTION FECHA DE INSPECCIÓN	INSPECTION ITEMS NOTED POINTS NOTÉS LORS DE L'INSPECTION PUNTOS DE INSPECCIÓN RELEVANTES	CORRECTIVE ACTION ACTION CORRECTIVE MEDIDA CORRECTIVA	MAINTENANCE PERFORMED ENTRETIEN EFFECTUÉ MANTENIMIENTO REALIZADO
Approved by: Approuvé par: Aprobado por:			
Approved by: Approuvé par: Aprobado por:			
Approved by: Approuvé par: Aprobado por:			
Approved by: Approuvé par: Aprobado por:			
Approved by: Approuvé par: Aprobado por:			
Approved by: Approuvé par: Aprobado por:			
Approved by: Approuvé par: Aprobado por:			
Approved by: Approuvé par: Aprobado por:			
Approved by: Approuvé par: Aprobado por:			

Notes
Notes
Notas



**MILLER® FALL PROTECTION PRODUCTS
TOTAL SATISFACTION ASSURANCE**

At Honeywell Safety Products and its predecessors, we have been providing quality Miller brand fall protection equipment to millions of workers worldwide since 1945.

**LIMITED LIFETIME WARRANTY
BACKED BY OVER 65 YEARS IN THE FALL PROTECTION BUSINESS**

We sincerely believe that our fall protection equipment is the best in the world. Our products endure rigorous tests to ensure that the fall protection equipment you trust is manufactured to the highest standards. Miller fall protection products are tested to withstand normal wear and tear, but are not indestructible and can be damaged by misuse. Our Limited Lifetime Warranty does not apply to normal wear and tear or abusive treatment of the product.

In the unlikely event that you should discover defects in either workmanship or materials, under our Limited Lifetime Warranty, we will repair or replace the product at our expense. If a replacement is necessary and your product is no longer available, a comparable product will be substituted. Should a product issue surface, contact us at 800.873.5242.

Manufacturing specifications are subject to change without notice.

**PRODUITS MILLER® FALL PROTECTION
ASSURANCE DE SATISFACTION TOTALE**

Honeywell Safety Products et ses prédécesseurs offrent les équipements antichute de marque Miller de qualité à des millions de travailleurs dans le monde entier depuis 1945.

**GARANTIE LIMITÉE À VIE
ASSURÉE GRÂCE À PLUS DE 65 ANS PASSÉS DANS LE DOMAINE DE LA PROTECTION CONTRE LES CHUTES**

Nous croyons sincèrement que notre équipement de protection contre les chutes est le meilleur au monde. Nos produits sont soumis à des tests rigoureux, afin d'assurer que les équipements de protection contre les chutes dans lesquels vous avez confiance sont fabriqués selon les normes les plus exigeantes. Les produits de protection contre les chutes Miller sont soumis à des essais pour vérifier qu'ils résistent à une usure normale; ils ne sont cependant pas indestructibles et peuvent s'endommager en cas de mauvaise utilisation. Notre garantie limitée à vie ne s'applique pas à l'usure normale ou à un usage abusif du produit.

Dans le cas peu probable où vous découvririez des défauts, soit de fabrication, soit de matériau, dans le cadre de notre garantie à vie, nous réparerons ou remplacerons le produit à nos frais. En cas de remplacement, si votre produit n'est plus offert, vous recevrez un produit comparable. En cas de problème sur un produit, nous contacter au 800-873-5242.

Les caractéristiques de fabrication peuvent être modifiées sans préavis.

**PRODUCTOS ANTICAÍDAS MILLER®
GARANTÍA DE SATISFACCIÓN TOTAL**

En Honeywell Safety Products y sus predecesores, hemos estado brindando la calidad de la marca Miller en equipos de protección de caída a millones de trabajadores alrededor del mundo desde 1945.

**GARANTÍA LIMITADA DE POR VIDA
NOS RESPALDAN MÁS DE 65 AÑOS EN LA FABRICACIÓN DE EQUIPO ANTICAÍDAS**

Sinceramente creemos que su equipo de protección contra caídas es el mejor del mundo. Nuestros productos resisten rigurosas pruebas para garantizar que el equipo de protección contra caídas en el que usted confía está fabricado de conformidad con las normas más elevadas. Los productos anticaídas Miller son sometidos a pruebas para que resistan el desgaste normal, pero no son indestructibles y su incorrecta utilización puede dañarlos. Nuestra Garantía limitada de por vida no se aplica al desgaste normal ni al maltrato del producto.

En el poco probable caso de que usted descubriera defectos de mano de obra o materiales, por nuestra Garantía limitada de por vida, repararemos o sustituiremos el producto por cuenta nuestra. Si un reemplazo es necesario y nuestro producto ya no está disponible, se lo sustituiremos por otro comparable.

En caso de que surja un problema con el producto, contáctenos al 800.873.5242.

Las especificaciones de fabricación están sujetas a modificaciones sin previo aviso.

MILLER[®]

by Honeywell

Toll Free: 800.873.5242
Fax: 800.892.4078

Download this manual at: www.millerfallprotection.com
Téléchargez ce manuel à l'adresse: www.millerfallprotection.com
Puede bajar por Internet este manual en: www.millerfallprotection.com

Honeywell Safety Products
P.O. Box 271, 1345 15th Street
Franklin, PA 16323 USA