



Engineered Noise Control for Air Handling Systems

Featuring:

QUIET-DUCT ULTRA™ SERIES

COMMERCIAL™ SERIES

CONIC-FLOW™ SERIES



Making the World a Quieter Place™

QUIET-DUCT® SILENCERS

Quiet-Duct Ultra™ Silencers	2
IAC America's Laboratory	2
Milestones in Laboratory Testing	3
Silencer Performance	4
Forward and Reverse Flow	4
Dynamics of Duct Silencer Design	4
Silencer Applications	5
Passive Silencer Design	6
Information on Silencer Specification	6
Locating Silencers in	
Relation to Other Components	7

Guidelines for Locating Silencers

Ducted Centrifugal Fans	8
Ducted 50% Hub-Vane Axial Fans	8
Elbows (Without Turning Vanes)	8
Elbows (With Turning Vanes)	8
Transitions	9
Coils and Filters	9
Cooling Towers and Condensers	9
At System Entrance or Exit	9
Reducing Pressure Drop Factors	9
Operation and Maintenance	10

Quiet-Duct Ultra™ /Low

ULS1	11
ULS2	13
ULS3	15
ULM1	17
ULM2	19
ULM3	21
ULL 1	23
ULL2	25
ULL3	27

Quiet-Duct Ultra™ /Green

UGLFS	29
UGLFM	31
UGLFL	33
UGS	35
UGMS	37
UGML	39
UGL	41

Quiet-Duct Ultra™ /ZAPD

Z6A	43
Z6B	44
Z6C	45
Z6D	46
Z6E	47
Z9A	48
Z9B	49

Z9C	50
Z9D	51
Z9E	52
Z12A	53
Z12B	54
Z12C	55
Z12D	56

Quiet-Duct® Commercial Series

LFS	57
LFM	59
S	61
ES	63
MS	65
LFL	67
ML	69
L	71

Quiet-Duct Clean Flow™ Silencers

HFLS	73
HLFM	75
HS	77
HMS	79
HLFL	81
HML	83
HL	85

Quiet-Duct Conic Flow®

FCS	87
FCL	89
CS	91
CL	93
NS	95
NL	97

D-Duct Diffuser

D-Duct	99
--------	----

Ultra-Pals™ Packless

XM	101
XL	103
KL	105
KM	107
TXS /TXL	109
TXLB	111

Quiet-Duct® Elbow Silencers

ELB	113
ELBM	114

QUIET-DUCT SILENCERS

with **FORWARD**
and **REVERSE FLOW**
AERO-ACOUSTIC
RATING CERTIFIED

in accordance with
ASTM E 477 and **ISO 7235**
and **BRITISH STANDARD 4718**

ENGINEERED
NOISE
CONTROL
FOR
AIR-HANDLING
SYSTEMS



IAC SILENCERS: LABORATORY TESTED AND FIELD PROVEN

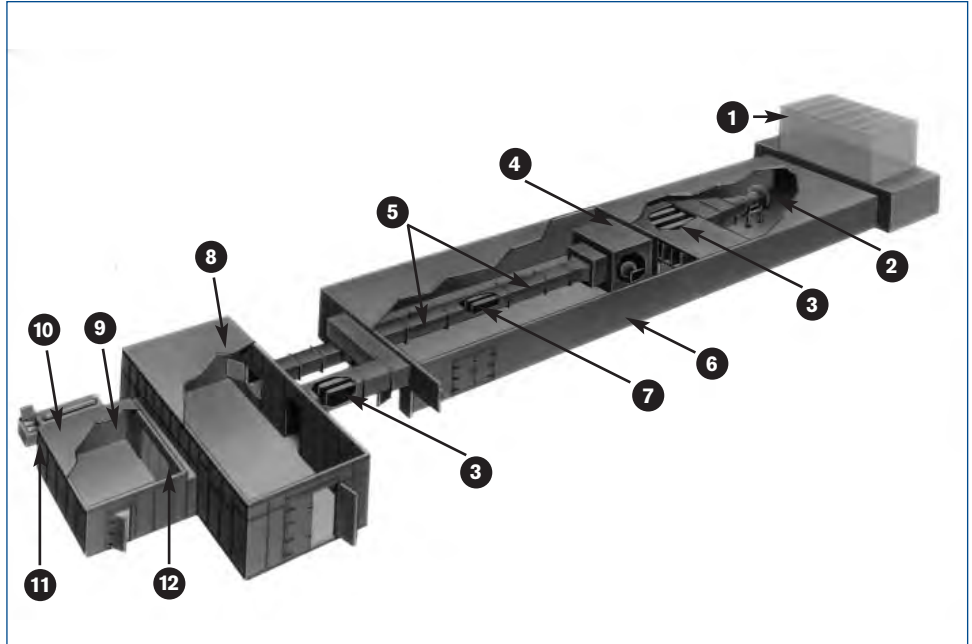
IAC America offers the broadest range of silencers in the industry. New additions within this manual include the Modular Elbow Silencer and the new Quiet-Duct Ultra Series. Performance data for these silencers is based on NVLAP-accredited laboratory tests conducted in strict accordance with ASTM E477-99

The ELB Modular Elbow Silencer features the capability to both nest and stack elbow silencer modules so the size is scalable while aerodynamic and acoustic performance are maintained. The silencer is cost-effective and can accept added acoustic extension sections.

The Quiet-Duct Ultra™ /Low line of silencers offers the industry's first published and guaranteed performance data in the 31.5 Hz full-octave-band center frequencies. The tests were conducted using scale modeling developed by IAC America in cooperation with K. Uno Ingard, co-author of Theoretical Acoustics.

The Quiet-Duct Ultra™ /Green line was developed in response to the trend for environmentally friendly building products. This 100% environmentally friendly attenuation solution uses recycled acoustic fill material and delivers performance that meets or exceeds that of a standard Quiet-Duct silencer.

The Quiet-Duct Ultra™ /ZAPD line was designed for applications in which acoustic attenuation is required and no allowance can be made for pressure loss. A Zero-Added-Pressure-Drop silencer is ideal for high velocity systems or systems that have little or no room for additional pressure drop.



IAC AMERICA'S NVLAP-RATED LABORATORY

Given today's highly specialized markets, it is essential that an engineering and manufacturing organization operate its own development and test facilities to advance the existing technology and assure the quality of its products.

IAC America's labs are accredited for nine tests under the National Institute of Standards and Technology National Voluntary Laboratory Accreditation Program (NVLAP). IAC's research and development team continuously designs new products and reengineers existing products to address unique noise-control requirements. The IAC laboratory provided a major impetus for the ASTM standard method of testing (E477-99) for prefabricated silencers. All IAC silencers are tested in accordance with applicable portions of the ASTM, British, and International Industry Standards.

The wind tunnel and reverberation room combined, measure more than 160 ft. (48.8m) long. Silencers as large as 50 in. (1524mm) in diameter and 120 in. (3048mm) in length have been tested in IAC America's aero-acoustic laboratory.

1. Removable hatch-in roof for testing silencers up to 10 ft. x 10 ft. (3.05m x 3.05m) cross section
2. 25,000 cfm (42,480m³/hr) vane-axial fan
3. Systemic silencer
4. Plenum with loudspeaker and flow diffuser
5. Test unit pitot tube ports
6. Super-Noise-Lock® housing
7. Test silencer
8. 10,000 ft³ (283m³) reverberation receiving room
9. 3,000 ft³ (85m³) reverberation source room
10. 3 in. (76mm) impedance tube
11. 24 in. x 24 in. (610mm x 610mm) anechoic wedge impedance tunnel
12. 14 ft. x 9 ft. (4.3m x 2.7m) test frame for transmission loss tests

IAC America's aero-acoustic research center permits forward- and reverse-flow dynamic insertion loss, self-noise, and pressure drop rating of silencers and other elements in closed-loop wind tunnels and other facilities. Dual reverberation rooms permit testing of system components or assembled air handling units.

Because they are laboratory developed and tested under controlled conditions, all of IAC's duct silencers provide effective, predictable noise reduction. They are manufactured to specific metal tolerances and with controlled acoustic infill flow resistances to achieve consistent results.

To assure consistency, production line silencers are periodically tested in IAC's aero-acoustic laboratory. This practice of quality control performance testing ensures that all silencers exhibit catalogued Dynamic Insertion Loss (DIL), Self-Noise (SN), and Pressure Drop Performance Data. IAC always guarantees the in-field performance of the specification.

MILESTONES IN LABORATORY TESTING AT IAC

1963

IAC builds the first full-sized dynamic duct-to-reverberant room test facility.

1965

IAC offers duct silencers accurately rated for acoustic performance with air flowing through them.

IAC introduces the terms "Dynamic Insertion Loss" (DIL) and "Self Noise" (SN).

1972

IAC confirms the in-field performance of its first product developed with model-testing.

IAC adds testing in the reverse flow mode.

1974

The laboratory is moved to IAC America's current facility, equipped with a controllable-pitch, vane-axial fan, and made part of a closed-loop system.

1981

A series of new vane-axial fan diffuser silencers is developed with complete aerodynamic and acoustic ratings.

1984

IAC develops a new low-frequency resonator silencer with substantial sound attenuation below 90 Hz.

1986

LF low-frequency and tubular packless lines of silencers are developed.

1991

IAC achieves significant improvement in techniques for predicting low-frequency performance of power flow splitter silencers.

1996

Most standard silencers are retested for quality control and to support domestic and overseas business.

NVLAP accreditation maintained for six standard testing procedures.

1997

New Sentry™ Quiet-Duct TLS and RFS silencers meet STC ratings of critical environments and offer the added advantage of RF shielding.

2003

IAC's new Quiet-Elbow® modular system enables silencer banks to be economically constructed from standard-size elbow modules while ensuring consistency and repeatability of acoustic and aerodynamic performance.

2004

The IAC Aero-Acoustic Laboratory begins offering third-party testing services.

2005

Quiet-Duct Ultra™ /Low silencers introduced.

Quiet-Duct Ultra™ /Green silencers offer 100% environmentally friendly attenuation solutions.

2006

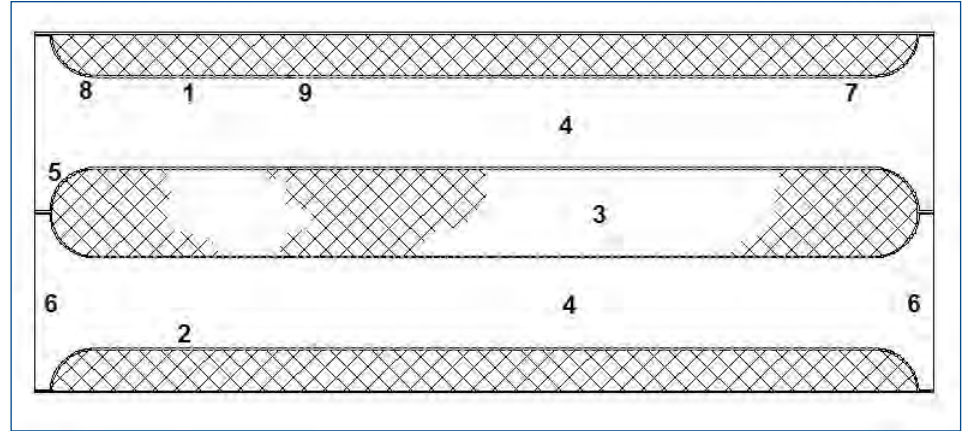
Quiet-Duct Ultra™ /ZAPD silencers are introduced.

IAC: LEADERSHIP IN SILENCER DEVELOPMENT AND TECHNOLOGY

PERFORMANCE: DUCT LINING VS. SILENCER

A question frequently asked by our customers is whether duct lining alone can provide sufficient attenuation from noise handling equipment. In most cases the answer is “no.”

As an example based on the guidelines from the 1999 ASHRAE Fundamentals Handbook, in the 250 Hz octave band, an 18 in. x 54 in. duct would require 57 feet of one-inch-thick, 1.5 lb/ft.³-density, surface-coated, duct-liner material to achieve as much insertion loss (i.e. 32 dB) as one five-foot-long IAC 5 LFS Silencer. In the lower frequencies, such as 125 Hz, even greater lengths of duct lining would be required to achieve the 10 - 20 dB insertion loss typically achievable by many of the broad range of IAC silencers including the LFS series.



DYNAMICS OF DUCT SILENCER DESIGN

Proper structural design assures long, trouble-free life. The attributes of a typical Quiet-Duct Silencer include:

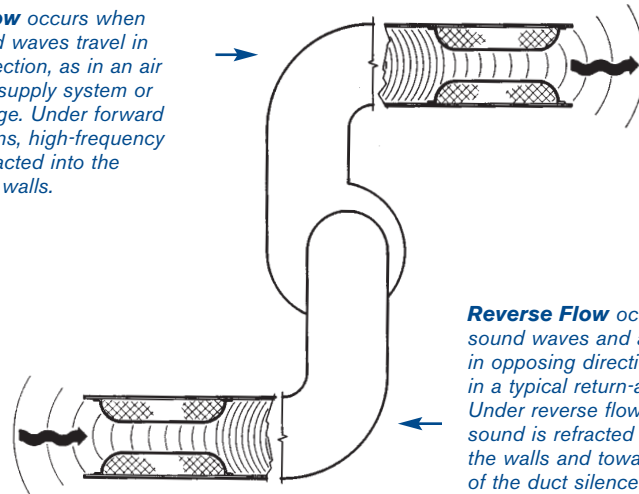
1. Die-formed, single-piece splitter construction throughout.
2. Shell-noise radiation minimized by double-skin or splitter construction in most models.
3. Acoustic baffles designed for maximum attenuation at low frequencies, the toughest job of all.
4. Straight-through air passages designed for maximum air handling at minimum pressure drop.
5. Solid, rounded noses that increase noise reduction.
6. Bell-mouth entrance and exit to minimize turbulence, pressure drop and self noise.
7. No protruding fastener heads to cause turbulence or self-noise.
8. Solid air-impingement surfaces and self-cleaning air passages to minimize dirt entrapment.
9. Acoustic fill protected against erosion by perforated metal containments.

FORWARD AND REVERSE FLOW

In 1972, IAC developed silencer Dynamic Insertion Loss and Self-Noise ratings both under Forward Flow (+) and Reverse Flow (-) conditions for rectangular and cylindrical silencers.

Since attenuation values are generally higher in the first five octave bands in the reverse flow mode compared to the forward flow mode, more economical silencer selections can often be made on return air systems.

Forward Flow occurs when air and sound waves travel in the same direction, as in an air conditioning supply system or a fan discharge. Under forward flow conditions, high-frequency sound is refracted into the duct-silencer walls.



Reverse Flow occurs when sound waves and air travel in opposing directions, as in a typical return-air system. Under reverse flow conditions, sound is refracted away from the walls and toward the center of the duct silencer.

A COMPLETE FAMILY OF SILENCERS

All of IAC's silencers were developed in response to specific requirements from acoustical consultants, consulting engineers, owners, and contractors. Having been pre-tested for performance, they provide the most economical

choices for solving the wide variety of noise control problems encountered in HVAC engineering.

IAC standard, rectangular silencer-cross sections range from 6 in. x 6 in. to 48 in. x 48 in. For small mains,

branches, and duct run-outs, module sizes fit every need. When large silencer banks are required, multiple-module assemblies can be arranged to provide almost limitless dimensional flexibility.

SILENCER	APPLICATION
Quiet-Duct Ultra™ /Low	<i>For conventional applications where guaranteed performance is required down to 31.5 Hz, including finer resolution of one-third-octave-band data for applications requiring full octave band performance to match specific sound sources.</i>
Quiet-Duct Ultra™ /Green	<i>A 100% environmentally friendly attenuation solution. Silence is achieved through the use of recycled acoustic fill material. Ideal for any clean and green application.</i>
Quiet-Duct Ultra™ /ZAPD	<i>For applications in which acoustic attenuation is required and no allowance can be made for pressure loss. A Zero-Added-Pressure-Drop silencer is ideal for high velocity systems or systems that have little or no room for additional pressure drop.</i>
Quiet-Duct Commercial Series	<i>For conventional applications including low frequency. Silencers are specifically engineered to enhance insertion loss in the 63 Hz, 125 Hz, and 250 Hz octave bands.</i>
Clean-Flow Rectangular Silencers	<i>For systems requiring a higher degree of cleanliness and hygiene such as in hospitals or clean rooms. Linings on the fill material guard against erosion of particulate matter into the air-stream. Specific internal construction features protect the lining against chafing or premature failure and are necessary to maintain the rated aero-acoustic performance.</i>
Conic-Flow® Tubular Silencers	<i>For silencer applications including low frequency. Silencers are specifically engineered to enhance insertion loss in the 63 Hz, 125 Hz, and 250 Hz octave bands.</i>
D-Duct™ Acoustic Diffuser Silencers	<i>For use on axial-fan systems. The combined interior diffuser cone and exterior square jacket casing make these units aerodynamic-regain devices as well as silencers.</i>
Ultra-Pals™ Rectangular Packless Silencers	<i>The ultimate solution for ultra-clean environments and corrosive/flammable environments. The complete absence of fill makes Ultra-Pals Packless Silencers ideally suited for any application where particulate matter or fiber erosion from conventional fill materials could contaminate the air/gas streams.</i> <i>The complete absence of fill, combined with ease of cleaning and draining, make Ultra-Pals™ Silencers ideal in corrosive/flammable environments and for facilities handling gasoline, grease, solvents, and other hazardous materials.</i>
Ultra-Pals Tubular Packless Silencers	<i>For small-diameter circular duct systems such as fume hoods. Additionally, the packless design of these units makes them equally applicable to the types of systems mentioned for the Rectangular Ultra-Pals Silencers.</i>

IAC: ONE STOP FOR SILENCER INFORMATION AND SPECIFICATION

BENEFITS OF PASSIVE SILENCER DESIGN

All of the silencers manufactured by IAC are of passive design which means that they do not require mechanical or electrical means to function. They work by providing a trouble-free static means for dissipating sound energy by converting it into minute quantities of heat. Passive silencers provide low first-cost, simple installation, and maintenance-free lifetime operation to make them the natural choice in HVAC-engineered noise control.

SOURCES OF DESIGN INFORMATION

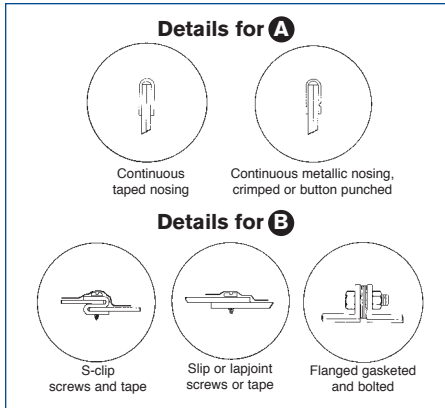
The effective and economical application of noise control methods depends on an accurate knowledge of the system's silencing requirements. There are several sources of information available for determining the required noise reduction for a wide range of HVAC applications.

The ASHRAE Handbook presents a procedure for calculating the noise reduction required. IAC also offers several methods which conform to the guide and quickly yield accurate results for specific issues.

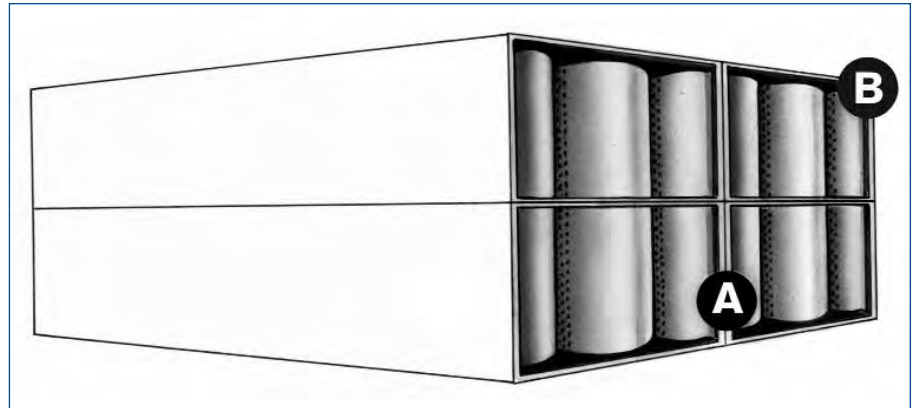


The IAC SNAP form is programmed with calculations that enable the user to evaluate the entire HVAC distribution system. Request from HVACinfo@industrialacoustics.com.

HVAC NOISE-CONTROL ISSUE	METHODOLOGY
Evaluation of the Entire HVAC Air Distribution System	<p>The IAC Snap Form</p> <p>The analysis starts with the acoustic criterion for the occupied space and then accounts for the system effects of each component such as terminals, mixing boxes, branch take-offs, elbows, ductwork, fan sources, plus room characteristics.</p>
Cross-Talk Noise Transmission	<p>The IAC Quiet-Vent® Catalogue</p> <p>Silencers installed in the connecting ductwork between spaces must provide airborne noise reduction to at least match the sound transmission loss of the separating structure (wall, window, door, whichever is the least effective noise barrier). This catalogue of air-transfer silencers includes relevant comparative transmission loss data.</p>
Cooling Tower Noise	<p>IAC Noise Control for Cooling Towers, Bulletin 1.0401.1, explains how to calculate the noise reduction required and how to apply the noise control equipment selected.</p>
Louver Applications	<p>IAC Noishield® Louvers, Bulletin 1.0502 and the SNAP II Form, Bulletin 1.0503.</p>
Deciding Among Silencers	<p>Short-Form Silencer Availability Guide.</p> <p>This guide suggests the most effective model of silencer configuration based on 250 Hz octave band DIL attenuation. It also lists typical applications where the individual silencer models would most often be used. When a particular model has been selected, more complete aero-acoustic data can be found on the technical data sheet for that model contained in this manual.</p>
Additional Questions or Unusual Noise Control Products	<p>Consult Your Local IAC Representative or Contact the HVAC Product Manager: HVACinfo@industrialacoustics.com (718) 931-8000.</p>



Multiple units are easily field-assembled using these types of connections.



LOCATING SILENCERS IN RELATION TO OTHER SYSTEM COMPONENTS

The two following pages provide guidelines for locating silencers in air handling systems. In addition, they provide a rapid means of estimating the combined pressure drop (ΔP) due to air flow through the silencer as it is affected by the silencer's location with respect to the other system components such as fans, coils, elbows, etc.

The airflow and ΔP data contained on these pages is based on tests run in accordance with applicable ASTM, AMCA, ASME and ADC test codes. These specify minimum lengths of straight duct connections up and downstream of the component under test. However, in practice, because of space considerations, it is often necessary to install silencers under conditions which vary significantly from the test procedure. Therefore, the effect of these variations must be included to determine the resultant ΔP of air flow through the silencer. The tables which follow provide multiplication factors essentially based on empirical considerations to be applied to cataloged ΔP 's.

NOTES:

1. For maximum structural integrity, Quiet-Duct™ Silencer splitters should be installed vertically. When vertical installation is not feasible, structural reinforcement is required for silencers wider than 24 in.
2. Unless otherwise indicated, connecting ductwork is assumed to have the same dimensions as fan intake or discharge openings.
3. When elbows are directly connected to the entrance of the silencers, the direction of the splitters should be parallel to the plane of the elbow turn.
4. L_1 = Distance from fan exhaust to entrance of discharge silencer.
 L_2 = Distance from fan inlet to exit of intake silencer.
5. ΔP Factor = Pressure Drop multiplier relative to silencer laboratory-rated-data and as specified by ASHRAE.
6. D = Diameter of round duct or equivalent diameter of rectangular duct.

7. Unless otherwise noted, multipliers shown do not include pressure drop of other components (elbows, transitions, dump losses, etc.), which must be calculated separately.
8. The ΔP Factors given are subject to minimum duct runs of 2.5 D after discharge silencers and 2.5 D before intake silencers. Otherwise, use additional multipliers as shown, such as for fans, elbows, silencers immediately at system entrance or exit, or other system components.

Note: These ΔP factors represent IAC's suggested benchmarks based on previous laboratory and field experience. While seemingly aggressive benchmarks, they will allow the user to achieve optimal performance from the silencer. In some situations, where these factors cannot be applied it may still be possible to achieve these published performance levels from your attenuator. The results will vary on a case-by-case basis and efficacy should be determined by the HVAC system engineer or by an IAC representative.

GUIDELINES FOR LOCATING SILENCERS

DUCTED CENTRIFUGAL FANS

Discharge Quiet-Duct-Rectangular Silencers

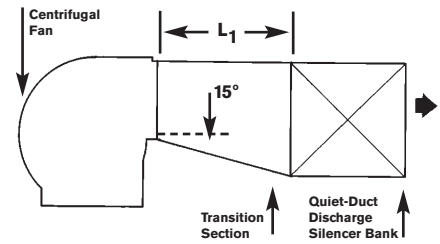
- a. L_1 = one duct diameter for every 1000 fpm (5m/s) average duct velocity including suitably designed transition section for maximum regain.
- b. If space is limited, velocity distribution vanes, diffusers, or other flow equalizers will have to be provided by system designer. Allow minimum $L_1=0.75 D$.

Intake Quiet-Duct Rectangular Silencers

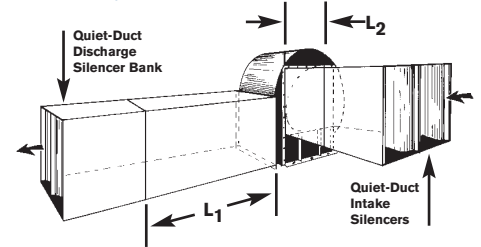
Use minimum $L_2 = 0.75 D$ including suitably designed transition sections if required.

ΔP FACTOR SILENCER

UP STREAM	DOWN STREAM
-	1.0
-	1.0
1.0	-



Recommended Transition Section Arrangement Between Centrifugal Fan and Silencer Bank (Ducting not Shown)



Intake and Discharge Silencers for Centrifugal Fans (Ducting not Shown)

DUCTED 50% HUB-VANE AXIAL FANS

Discharge Quiet-Duct Rectangular Silencers

- a. L_1 = one duct diameter for every 1000 fpm (5m/s) average duct velocity including suitably designed transition section for maximum regain
- b. If space is limited, velocity distribution vanes, diffusers, or other flow equalizers will have to be provided by system designer. Allow minimum $L_1=0.75 D$.

Discharge Conic-Flow Tubular Silencers

$L_1 = 0$ when fan hub is matched to silencer center body

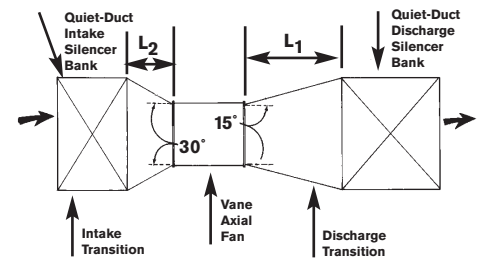
Intake Quiet-Duct Rectangular Silencers

Use minimum $L_2 = 0.75 D$ including intake cones of not more than 60° included angle

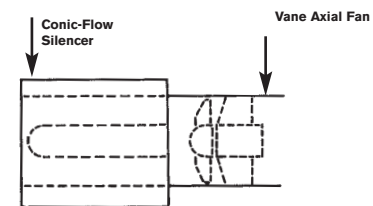
Intake Conic-Flow Tubular Silencers

$L_2 = 0$ when fan hub is matched to silencer center body

-	1.0
-	1.0
-	1.0
1.0	-
1.0	-



Recommended Transition Section Arrangement Between Vane-Axial Fan and Silencer Bank (Ducting not Shown)



Conic-Flow Tubular Silencer Center Body Matched to Axial Fan Hub (Ducting not Shown)

ELBOWS (WITHOUT TURNING VANES)

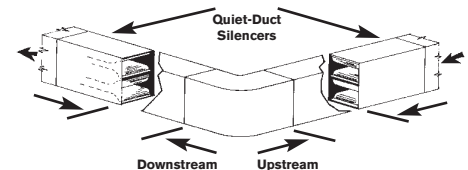
Distance of silencer from elbow

D x 3	1.0	1.0
D x 2	1.5	1.5
D x 1	2.0	2.0

ELBOWS (WITH TURNING VANES)

Distance of silencer from elbow

D x 3	1.0	1.0
D x 2	1.2	1.2
D x 1	1.75	1.75
D x 0.5	3.0	3.0
Directly connected	4.0	Not Advised



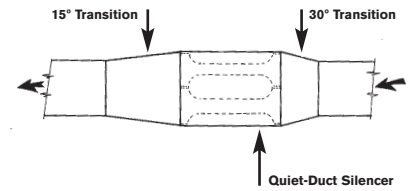
Silencers Before and After Elbows

Note: Silencer baffles should be parallel to the plane of the elbow turn.

ΔP FACTOR SILENCER

TRANSITIONS

- With 15° included angle (7.5° slope)
- With 30° included angle (15° slope)
- With 60° included angle (30° slope)

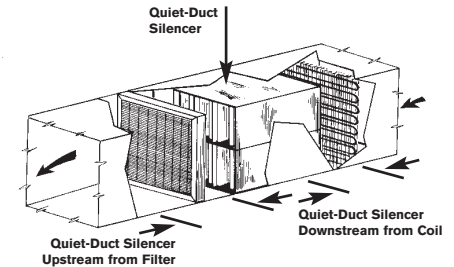


Silencer between Upstream and Downstream Transitions

COILS AND FILTERS

- Downstream – 12 in. from face
- Upstream – 24 in. from face

UP STREAM	DOWN STREAM
1.0	1.0
1.25	1.0
1.5	1.0



COOLING TOWERS AND CONDENSERS

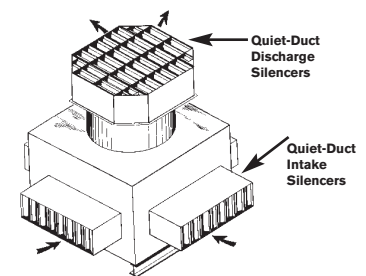
All IAC Silencers

The pressure drop increase due to the addition of silencers to a cooling tower is partially offset by the resulting decrease in the entrance and discharge losses of the system.

–	1.0
1.0	–

2.0	2.0
-----	-----

This multiplier includes typical allowance for intake and discharge dum loses.

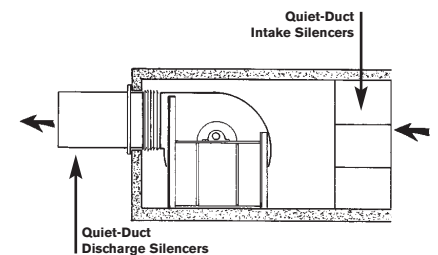


IMMEDIATELY AT SYSTEM ENTRANCE OR EXIT

Silencer Type or Model

- CL, FCL
- NL
- ML
- CS, FCS, NS, L, HL, LFL, HLFL, KB
- MS, LFM, HLFM, KM, KL
- S, ES, LFS, HLFS, XM, XL

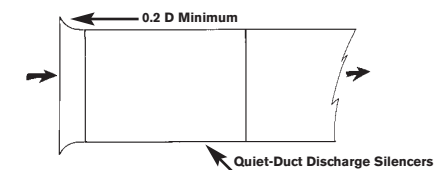
SILENCER AT INTAKE	SILENCER AT DISCHARGE
2.0	5.0
2.0	4.0
1.5	3.5
1.5	3.0
1.5	2.0
1.5	1.5



Silencers Immediately at Intake and Discharge of Equipment Room

The relatively higher multipliers for the lower pressure drop silencers, such as the CL and L type P, for instance, are due to the dump losses to the atmosphere being significantly higher relative to their rated values.

Pressure-drop factors for silencers at the entrance to a system can be materially reduced by use of a smooth converging bell mouth with sides having a radius equal to at least 20% of its outlet dimension.



OPERATION AND MAINTENANCE INSTRUCTIONS

1. IAC Silencers have no moving parts and therefore require no lubrication or routine maintenance.
2. All silencers are furnished rigidly constructed, well-made and free of any defects in materials or workmanship. To ensure continuing proper operation, the silencers should be visually inspected at least once a year to verify that:
 - a. Perforated acoustic splitters are undamaged, remaining parallel and true.
 - b. Airspaces between the acoustic splitters are free of any debris.
 - c. The holes in the perforated steel are open and free of dust or other foreign material.
3. In the event that debris must be cleaned from the airspaces or the perforated metal, the silencer should be vacuum-cleaned or wiped clean with a cloth dampened in a mild detergent solution.
4. In no event should solutions that might affect the galvanized protection on the steel be used to clean IAC Silencers.
5. The occurrence of “White Rust” (zinc oxide) on galvanized silencers is a normal event and not a maintenance item. It occurs when the zinc in the galvanizing reacts electrolytically with moisture to protect the steel.
6. In the event of fire, flood, structural damage or other severe occurrences, contact your local IAC Representative or the IAC Factory direct for specific instructions and recommendations.



QUIET-DUCT ULTRA™ /LOW SILENCERS

1.01 GENERAL

- A. Furnish and install "Quiet-Duct Ultra™/Low" (rectangular) silencers of the types and sizes shown on the plans and/or listed in the schedule. Silencers shall be the product of Industrial Acoustics Company. Any specification change must be submitted in writing and approved by the Architect/Engineer, in writing, at least 10 days prior to the bid due-date.

2.01 MATERIALS

- A. Casings of rectangular silencers shall be made of 22 gauge type #G-90 lock-former-quality galvanized steel.
- B. Interior partitions for rectangular silencers shall be not less than 26 gauge type #G-90 galvanized lock-former-quality perforated steel.
- C. Filler material shall be inorganic glass fiber of a proper density to obtain the specified acoustic performance and be packed under not less than 5% compression to eliminate voids due to vibration and settling. Material shall be inert, vermin- and moisture-proof.
- D. Combustion ratings for the silencer acoustic fill shall be not greater than the following when tested to ASTM E 84, NFPA Standard 255, or UL No. 723:
 - Flamespread Classification 20
 - Smoke Development Rating 20

3.01 CONSTRUCTION

- A. Units shall be constructed in accordance with the ASHRAE Guide recommendations for high pressure duct work. Seams shall be lock formed and mastic filled. Rectangular casing seams shall be in the corners of the silencer shell to provide maximum unit strength and rigidity. Interior partitions shall be fabricated from single-piece, margin-perforated sheets and shall have die-formed entrance and exit shapes so as to provide the maximum aerodynamic efficiency and minimum self-noise characteristics in the sound attenuator. Blunt noses or squared off partitions will not be accepted.
- B. Attachment of the interior partitions to the casing shall be by means of an interlocking track assembly. Tracks shall be solid galvanized steel and shall be welded to the outer casing. Attachment of the interior partitions to the tracks shall be such that a minimum of 4 thicknesses of metal exist at this location. The track assembly shall stiffen the exterior casing, provide a reinforced attachment detail for the interior partitions, and shall maintain a uniform airspace width along the length of the silencer for consistent aerodynamic and acoustic performance. Interior partitions shall be additionally secured to the outer casing with welded nose clips at both ends of the sound attenuator.

- C. Sound attenuating units shall not fail structurally when subjected to a differential air pressure of 8 inches water gauge from inside to outside the casing. Airtight construction shall be provided by use of a duct sealing compound on the job-site material and labor furnished by the contractor.

4.01 ACOUSTIC PERFORMANCE

- A. All silencer ratings shall be determined in a duct-to-reverberant room test facility which provides for airflow in both directions through the test silencer in accordance with ASTM Specification E477-99. The test facility shall be NVLAP accredited for the ASTM E477-99 test standard. Data from a non-accredited laboratory will not be acceptable. The test set-up and procedure shall be such that all effects due to end reflection, directivity, flanking transmission, standing waves and test chamber sound absorption are eliminated. Acoustic ratings shall include Dynamic Insertion Loss (DIL) and Self-Noise (SN) Power Levels both for FORWARD FLOW (air and noise in same direction) and REVERSE FLOW (air and noise in opposite directions) with airflow of at least 2000 fpm entering face velocity. Data for rectangular and tubular type silencers shall be presented for tests conducted using silencers no smaller than the following cross-sections:
 - Rectangular, inch: 24x24, 24x30, or 24x36

5.01 AERODYNAMIC PERFORMANCE

- A. Static pressure loss of silencers shall not exceed those listed in the silencer schedule as the airflow indicates. Airflow measurements shall be made in accordance with ASTM specification E477-99 and applicable portions of ASME, AMCA, and ADC airflow test codes.

6.01 CERTIFICATION

- A. With submittals, the manufacturer shall supply certified test data on Dynamic Insertion Loss, Self-Noise Power Levels, and Aerodynamic Performance for Reverse and Forward Flow test conditions. Test data shall be for a standard product. All rating tests shall be conducted in the same facility, shall utilize the same silencer, and shall be open to inspection upon request from the Architect/Engineer.

7.01 DUCT TRANSITIONS

- A. When transitions are required to adapt silencer dimensions to connecting duct work they shall be furnished by the installing contractor.



QUIET-DUCT ULTRA™/LOW SILENCERS

TYPE: ULS1

LOW FREQUENCY SILENCERS with FORWARD and REVERSE FLOW Ratings



The Quiet-Duct Ultra™/Low line of modular silencers, introduced in 2005, has been designed to optimize Dynamic Insertion Loss (DIL) performance for frequencies between 25 Hz and 80 Hz. The tests were conducted in strict accordance with ASTM E477-99 in IAC America's NVLAP Accredited Acoustical Laboratory. IAC is the first manufacturer to publish guaranteed test data at 31.5 Hz, including finer resolution of one-third-octave-band data for applications requiring narrow-band performance to match specific sound sources.

DESIGNATING SILENCERS

Model: 5ULS1-24-18

Length: 5' Type: ULS1 Width: 24" Height: 18"

Table I. Dynamic Insertion Loss (DIL) Ratings: Forward (+) / Reverse (-) Flow

IAC MODEL	Octave Band	0	1	2	3	4	5	6	7	8
	Hz	31.5	63	125	250	500	1K	2K	4K	8K
	Face Velocity, fpm									
3ULS1	-750	3	6	15	22	24	22	17	14	13
	-500	2	6	15	22	24	22	18	14	13
	-250	2	6	14	21	24	22	18	14	13
	250	2	6	14	21	24	22	18	14	13
	500	2	6	14	21	23	22	18	14	13
	750	2	5	13	20	23	22	18	14	13
5ULS1	-750	4	10	22	35	38	34	25	17	16
	-500	4	10	22	34	38	34	25	17	16
	-250	4	10	21	34	38	34	25	18	16
	250	4	9	20	33	37	34	25	18	16
	500	3	9	20	32	37	34	25	18	16
	750	3	9	20	32	36	34	25	18	16
7ULS1	-750	6	14	29	43	47	43	31	20	17
	-500	6	13	28	42	46	42	31	20	18
	-250	5	13	28	42	46	42	31	20	18
	250	5	12	27	41	45	42	31	21	18
	500	5	12	26	41	45	42	31	21	19
	750	4	11	25	40	45	42	31	21	19
10ULS1	-750	8	19	39	52	54	52	38	24	21
	-500	8	19	38	52	54	52	38	24	21
	-250	8	18	37	51	54	52	38	25	21
	250	7	17	36	51	54	51	38	25	22
	500	6	16	35	50	54	51	38	25	22
	750	6	15	34	50	53	51	38	25	23



(+) Forward Flow / (-) Reverse Flow. Aero-acoustic performance data based on NVLAP accredited laboratory tests conducted in strict accordance with ASTM E477-99. Contact IAC if attenuation in excess of 50 dB is required.

Table II: Weights and Measures*

Nominal Length	W, in. H, in.	15 12	15 18	15 24	15 30	15 36	15 42	15 48	30 12	30 18	30 24	30 30	30 36	30 42	30 48
3 Feet	Wt, lb.	35	43	51	58	66	74	82	57	68	79	91	102	113	124
5 Feet		57	69	82	94	106	118	131	93	110	127	144	161	178	195
7 Feet		79	96	113	129	146	163	179	129	152	175	198	221	244	267
10 Feet		113	136	159	183	206	229	253	183	215	246	278	310	NA	NA

*Note: Widths are available from 12" to 18" and from 24" to 36"

Table III: Aerodynamic Performance

Silencer Face Area is the cross-sectional area at the air entering face of the module or bank of modules. The Face Velocity is the CFM of airflow divided by the Face Area (in square feet). Pressure Drop for any face velocity can be calculated from the equation: $PD = (Actual\ FV/Catalog\ FV)^2(Catalog\ PD)$.

PD values are per ASTM E477 test standard. For the smaller widths available add 15% and subtract 5% for the larger widths available. If silencers are near elbows, transitions or other non-ideal conditions sufficient allowances must be made to account for system effects when calculating the overall silencer pressure loss.

Model	Static Pressure Drop, i.w.g.						
ULS1	3 ft.	0.07	0.29	0.66	NA	NA	NA
	5 ft.	0.09	0.35	0.78	NA	NA	NA
	7 ft.	0.10	0.40	0.90	NA	NA	NA
	10 ft.	0.12	0.48	NA	NA	NA	NA
Silencer Face Velocity, fpm	250	500	750	1000	1250	1500	

Table IV: 1/3 Octave Band DIL Data

IAC Model	Octave Band Hz	31.5 Hz			63 Hz		
		25	31.5	40	50	63	80
3ULS1	-750	2	2	3	5	6	9
	-500	2	2	3	5	6	9
	-250	2	2	3	4	6	9
	250	2	2	3	4	6	8
	500	2	2	3	4	5	8
	750	2	2	3	4	5	8
5ULS1	-750	3	4	6	8	11	14
	-500	3	4	5	8	10	14
	-250	3	4	5	7	10	14
	250	3	4	5	7	9	13
	500	3	3	5	7	9	13
	750	3	3	4	6	9	12
7ULS1	-750	5	6	8	11	15	20
	-500	4	6	8	11	14	19
	-250	4	5	7	10	14	19
	250	4	5	7	9	13	18
	500	4	5	6	9	12	17
	750	3	4	6	9	12	17
10ULS1	-750	6	8	12	16	21	28
	-500	6	8	11	15	20	27
	-250	6	8	11	15	20	26
	250	5	7	10	13	18	24
	500	5	6	9	13	17	24
	750	4	6	9	12	17	23

One-Third (1/3) Octave Band data for IAC Quiet-Duct Ultra™/Low silencers is provided for those applications where Dynamic Insertion Loss performance in more discrete frequencies is required to effectively control narrow-band noise sources. Table IV presents the 1/3 Octave Band DIL components that combine to comprise the Full Octave Band DIL values.

Table V: Self-Noise Power Levels, dB re: 10-12 Watts

IAC Model	Octave Band Hz	0	1	2	3	4	5	6	7	8
		31.5*	63	125	250	500	1K	2K	4K	8K
ULS1	-750	54	51	50	48	48	51	54	47	40
	-250	34	31	24	24	24	32	34	<20	<20
	+250	33	30	23	23	23	31	33	<20	<20
	+750	53	50	49	47	47	50	53	46	39

*Estimated

Self-Noise values are shown for a five-square-foot area silencer. For each doubling of the face area add three dB; for each halving of the face area, subtract three dB from the values in Table V.



QUIET-DUCT ULTRA™/LOW SILENCERS

TYPE: ULS2

LOW FREQUENCY SILENCERS with FORWARD and REVERSE FLOW Ratings



The Quiet-Duct Ultra™/Low line of modular silencers, introduced in 2005, has been designed to optimize Dynamic Insertion Loss (DIL) performance for frequencies between 25 Hz and 80 Hz. The tests were conducted in strict accordance with ASTM E477-99 in IAC America's NVLAP Accredited Acoustical Laboratory. IAC is the first manufacturer to publish guaranteed test data at 31.5 Hz, including finer resolution of one-third-octave-band data for applications requiring narrow-band performance to match specific sound sources.

DESIGNATING SILENCERS

Model: 5ULS2-24-18

Length: 5' Type: ULS2 Width: 24" Height: 18"

Table I. Dynamic Insertion Loss (DIL) Ratings: Forward (+) / Reverse (-) Flow

IAC MODEL	Octave Band	0	1	2	3	4	5	6	7	8
	Hz	31.5	63	125	250	500	1K	2K	4K	8K
	Face Velocity, fpm									
3ULS2	-750	3	8	16	19	19	16	14	12	11
	-500	3	8	15	19	19	16	14	12	11
	-250	3	8	15	19	19	17	14	12	11
	250	3	7	15	18	19	17	14	12	11
	500	3	7	15	18	19	17	14	12	11
	750	3	7	14	18	19	17	14	12	11
5ULS2	-750	5	12	23	29	29	23	18	15	13
	-500	5	12	23	29	29	23	18	15	13
	-250	5	11	22	28	29	24	18	15	13
	250	4	11	22	28	29	24	18	15	13
	500	4	11	21	27	29	24	18	15	14
	750	4	10	21	27	29	24	18	15	14
7ULS2	-750	7	16	30	39	39	30	22	17	15
	-500	6	15	30	38	39	30	22	18	15
	-250	6	15	29	38	39	31	22	18	16
	250	6	14	28	37	38	31	22	18	16
	500	6	14	28	36	38	31	22	18	16
	750	5	14	27	36	38	31	22	18	16
10ULS2	-750	9	21	38	46	47	38	26	20	18
	-500	9	21	38	46	47	38	26	20	18
	-250	9	20	37	46	47	38	26	21	18
	250	8	19	36	45	46	38	26	21	19
	500	8	18	36	45	46	38	26	21	19
	750	7	18	35	44	46	38	26	21	19



(+) Forward Flow / (-) Reverse Flow. Aero-acoustic performance data based on NVLAP accredited laboratory tests conducted in strict accordance with ASTM E477-99. Contact IAC if attenuation in excess of 50 dB is required.

Table II: Weights and Measures*

Nominal Length	W/ in. H/ in.	21 12	21 18	21 24	21 30	21 36	21 42	21 48	42 12	42 18	42 24	42 30	42 36	42 42	42 48
3 Feet		42	50	59	67	76	84	93	70	83	96	108	121	134	147
5 Feet	Wt/ lb.	68	81	94	108	121	134	147	114	133	153	172	191	210	229
7 Feet		94	112	130	148	166	184	202	158	184	210	235	261	NA	NA
10 Feet		134	159	184	209	234	259	284	224	260	295	NA	NA	NA	NA

*Note: Widths are available from 18" to 24" and from 36" to 48"

Table III: Aerodynamic Performance

Silencer Face Area is the cross-sectional area at the air entering face of the module or bank of modules. The Face Velocity is the CFM of airflow divided by the Face Area (in square feet). Pressure Drop for any face velocity can be calculated from the equation: $PD = (Actual\ FV/Catalog\ FV)^2(Catalog\ PD)$.

PD values are per ASTM E477 test standard. For the smaller widths available add 15% and subtract 5% for the larger widths available. If silencers are near elbows, transitions or other non-ideal conditions sufficient allowances must be made to account for system effects when calculating the overall silencer pressure loss.

Model	Static Pressure Drop, i.w.g.						
ULS2	3 ft.	0.07	0.27	0.60	NA	NA	NA
	5 ft.	0.08	0.30	0.68	NA	NA	NA
	7 ft.	0.08	0.34	0.76	NA	NA	NA
	10 ft.	0.10	0.39	0.88	NA	NA	NA
Silencer Face Velocity, fpm	250	500	750	1000	1250	1500	

Table IV: 1/3 Octave Band DIL Data

IAC Model	Octave Band Hz	31.5 Hz			63 Hz		
		25	31.5	40	50	63	80
	Silencer Face Velocity, fpm						
3ULS2	-750	2	3	4	6	9	12
	-500	2	3	4	6	9	11
	-250	2	3	4	6	8	11
	250	2	3	4	5	8	11
	500	2	3	4	5	8	11
	750	2	3	4	5	8	10
5ULS2	-750	4	5	7	9	13	17
	-500	3	5	7	9	13	16
	-250	3	5	6	9	12	16
	250	3	4	6	8	12	15
	500	3	4	6	8	11	15
	750	3	4	6	8	11	15
7ULS2	-750	5	7	9	13	17	22
	-500	5	7	9	12	17	21
	-250	5	6	9	12	16	21
	250	4	6	8	11	15	20
	500	4	6	8	11	15	19
	750	4	5	8	11	15	19
10ULS2	-750	7	10	13	18	23	29
	-500	7	9	13	17	23	29
	-250	6	9	12	17	22	28
	250	6	8	11	16	21	27
	500	6	8	11	15	20	26
	750	5	8	11	15	20	26

One-Third (1/3) Octave Band data for IAC Quiet-Duct Ultra™/Low silencers is provided for those applications where Dynamic Insertion Loss performance in more discrete frequencies is required to effectively control narrow-band noise sources. Table IV presents the 1/3 Octave Band DIL components that combine to comprise the Full Octave Band DIL values.

Table V: Self-Noise Power Levels, dB re: 10-12 Watts

IAC Model	Octave Band Hz	0	1	2	3	4	5	6	7	8
		31.5*	63	125	250	500	1K	2K	4K	8K
	Silencer Face Velocity, fpm									
ULS2	-750	55	52	52	49	49	53	55	48	42
	-250	35	32	25	26	25	33	36	<20	<20
	+250	33	30	23	23	23	31	33	<20	<20
	+750	53	50	49	47	47	50	53	46	39

*Estimated

Self-Noise values are shown for a seven-square-foot area silencer. For each doubling of the face area add three dB; for each halving of the face area, subtract three dB from the values in Table V.



QUIET-DUCT ULTRA™/LOW SILENCERS

TYPE: ULS3

LOW FREQUENCY SILENCERS with FORWARD and REVERSE FLOW Ratings



The Quiet-Duct Ultra™/Low line of modular silencers, introduced in 2005, has been designed to optimize Dynamic Insertion Loss (DIL) performance for frequencies between 25 Hz and 80 Hz. The tests were conducted in strict accordance with ASTM E477-99 in IAC America's NVLAP Accredited Acoustical Laboratory. IAC is the first manufacturer to publish guaranteed test data at 31.5 Hz, including finer resolution of one-third-octave-band data for applications requiring narrow-band performance to match specific sound sources.

DESIGNATING SILENCERS

Model: 5ULS3-24-18

Length: 5' Type: ULS3 Width: 24" Height: 18"

Table I. Dynamic Insertion Loss (DIL) Ratings: Forward (+) / Reverse (-) Flow

IAC MODEL	Octave Band	0	1	2	3	4	5	6	7	8
	Hz	31.5	63	125	250	500	1K	2K	4K	8K
	Face Velocity, fpm									
3ULS3	-750	4	10	15	17	16	14	12	11	9
	-500	4	10	15	17	16	14	12	11	9
	-250	4	10	15	17	16	14	12	11	9
	250	3	9	14	17	16	15	12	11	9
	500	3	9	14	16	16	15	12	11	9
	750	3	9	14	16	16	15	12	11	9
5ULS3	-750	6	14	22	25	23	18	15	13	11
	-500	6	14	22	25	23	18	15	13	11
	-250	5	13	21	25	23	19	15	13	11
	250	5	13	21	24	23	19	15	13	11
	500	5	13	20	24	23	19	15	13	11
	750	5	12	20	24	23	19	15	13	11
7ULS3	-750	8	17	29	33	30	23	17	15	13
	-500	7	17	28	32	30	23	17	15	13
	-250	7	17	28	32	30	23	17	15	13
	250	7	16	27	31	30	23	17	15	13
	500	7	16	27	31	30	23	17	15	14
	750	6	15	26	31	30	23	17	15	14
10ULS3	-750	10	23	38	44	40	29	20	18	15
	-500	10	22	37	43	40	30	20	18	15
	-250	10	22	37	43	40	30	20	18	15
	250	9	21	36	42	40	30	21	19	15
	500	9	20	35	41	40	30	21	19	15
	750	8	20	35	41	40	30	21	19	16



(+) Forward Flow / (-) Reverse Flow. Aero-acoustic performance data based on NVLAP accredited laboratory tests conducted in strict accordance with ASTM E477-99. Contact IAC if attenuation in excess of 50 dB is required.

Table II: Weights and Measures*

Nominal Length	W/ in. H/ in.	27 12	27 18	27 24	27 30	27 36	27 42	27 48	54 12	54 18	54 24	54 30	54 36	54 42	54 48
3 Feet	Wt/ lb.	48	58	67	76	86	95	104	83	98	112	126	141	155	169
5 Feet		79	93	107	121	136	150	164	136	157	178	199	221	242	263
7 Feet		109	128	147	167	186	205	224	178	216	244	272	301	NA	NA
10 Feet		154	181	208	236	261	288	315	NA	NA	NA	NA	NA	NA	NA

*Note: Widths are available from 24" to 30" and from 48" to 54"

Table III: Aerodynamic Performance

Silencer Face Area is the cross-sectional area at the air entering face of the module or bank of modules. The Face Velocity is the CFM of airflow divided by the Face Area (in square feet). Pressure Drop for any face velocity can be calculated from the equation: $PD = (Actual\ FV/Catalog\ FV)^2(Catalog\ PD)$.

PD values are per ASTM E477 test standard. For the smaller widths available add 15% and subtract 5% for the larger widths available. If silencers are near elbows, transitions or other non-ideal conditions sufficient allowances must be made to account for system effects when calculating the overall silencer pressure loss.

Model	Static Pressure Drop, i.w.g.									
	3 ft.	5 ft.	7 ft.	10 ft.	250	500	750	1000	1250	1500
ULS3	0.06	0.07	0.08	0.09	NA	NA	NA	NA	NA	NA
	0.25	0.28	0.30	0.34	NA	NA	NA	NA	NA	NA
	0.57	0.63	0.68	0.77	NA	NA	NA	NA	NA	NA
	NA	NA	NA	NA	NA	NA	NA	NA	NA	NA
Silencer Face Velocity, fpm										

Table IV: 1/3 Octave Band DIL Data

IAC Model	Octave Band Hz	31.5 Hz			63 Hz		
		25	31.5	40	50	63	80
	Silencer Face Velocity, fpm						
3ULS3	-750	3	4	5	8	11	13
	-500	3	4	5	8	10	12
	-250	3	3	5	8	10	12
	250	2	3	5	7	10	12
	500	2	3	5	7	10	12
	750	2	3	4	7	9	11
5ULS3	-750	4	6	8	11	15	18
	-500	4	6	8	11	14	18
	-250	4	5	7	11	14	17
	250	4	5	7	10	14	17
	500	4	5	7	10	13	16
	750	3	5	7	10	13	16
7ULS3	-750	6	8	11	15	19	23
	-500	6	8	10	14	18	23
	-250	5	7	10	14	18	22
	250	5	7	10	13	17	21
	500	5	7	9	13	17	21
	750	5	6	9	13	16	21
10ULS3	-750	8	11	15	19	24	30
	-500	8	11	14	19	24	30
	-250	7	10	14	19	23	29
	250	7	10	13	18	22	28
	500	7	9	13	17	22	28
	750	6	9	12	17	22	27

One-Third (1/3) Octave Band data for IAC Quiet-Duct Ultra™/Low silencers is provided for those applications where Dynamic Insertion Loss performance in more discrete frequencies is required to effectively control narrow-band noise sources. Table IV presents the 1/3 Octave Band DIL components that combine to comprise the Full Octave Band DIL values.

Table V: Self-Noise Power Levels, dB re: 10-12 Watts

IAC Model	Octave Band Hz	0	1	2	3	4	5	6	7	8
		31.5*	63	125	250	500	1K	2K	4K	8K
	Silencer Face Velocity, fpm									
ULS3	-750	56	53	53	50	51	54	56	50	43
	-250	37	34	26	27	27	34	37	20	<20
	+250	33	30	23	23	23	31	33	<20	<20
	+750	53	50	49	47	47	50	53	46	39

*Estimated

Self-Noise values are shown for a nine-square-foot area silencer. For each doubling of the face area add three dB; for each halving of the face area, subtract three dB from the values in Table V.



QUIET-DUCT ULTRA™/LOW SILENCERS

TYPE: ULM1

LOW FREQUENCY SILENCERS with FORWARD and REVERSE FLOW Ratings



The Quiet-Duct Ultra™/Low line of modular silencers, introduced in 2005, has been designed to optimize Dynamic Insertion Loss (DIL) performance for frequencies between 25 Hz and 80 Hz. The tests were conducted in strict accordance with ASTM E477-99 in IAC America's NVLAP Accredited Acoustical Laboratory. IAC is the first manufacturer to publish guaranteed test data at 31.5 Hz, including finer resolution of one-third-octave-band data for applications requiring narrow-band performance to match specific sound sources.

DESIGNATING SILENCERS

Model: 5ULM1-24-18

Length: 5' Type: ULM1 Width: 24" Height: 18"

Table I. Dynamic Insertion Loss (DIL) Ratings: Forward (+) / Reverse (-) Flow

IAC MODEL	Octave Band	0	1	2	3	4	5	6	7	8
	Hz	31.5	63	125	250	500	1K	2K	4K	8K
	Face Velocity, fpm									
3ULM1	-1000	2	6	14	20	23	20	16	13	12
	-750	2	6	13	20	22	20	16	13	12
	-500	2	6	13	20	22	20	16	13	12
	500	2	5	12	19	22	20	17	13	12
	750	2	5	12	18	21	20	17	13	12
	1000	2	5	12	18	21	21	17	13	12
5ULM1	-1000	4	9	20	32	36	31	23	16	14
	-750	4	9	20	32	35	31	23	16	14
	-500	4	9	19	31	35	31	23	16	14
	500	3	8	18	29	34	31	23	16	15
	750	3	8	18	29	33	31	23	16	15
	1000	3	7	17	29	33	31	23	16	15
7ULM1	-1000	5	13	27	40	44	39	28	19	16
	-750	5	12	26	40	43	39	28	19	16
	-500	5	12	26	39	43	39	28	19	16
	500	4	11	24	37	42	39	28	19	17
	750	4	10	23	37	42	39	28	19	17
	1000	4	10	22	36	41	39	28	20	18
10ULM1	-1000	8	18	36	49	52	48	35	23	18
	-750	7	17	35	49	52	48	35	23	19
	-500	7	17	34	48	52	48	35	23	19
	500	6	14	32	47	51	48	35	23	20
	750	5	14	31	47	51	48	35	24	21
	1000	5	13	30	46	51	48	35	24	21



(+) Forward Flow / (-) Reverse Flow. Aero-acoustic performance data based on NVLAP accredited laboratory tests conducted in strict accordance with ASTM E477-99. Contact IAC if attenuation in excess of 50 dB is required.

Table II: Weights and Measures*

Nominal Length	W/ in. H/ in.	15 12	15 18	15 24	15 30	15 36	15 42	15 48	30 12	30 18	30 24	30 30	30 36	30 42	30 48
3 Feet	Wt/ lb.	35	43	50	58	66	73	81	57	68	79	90	101	112	123
5 Feet		58	70	82	94	106	118	130	94	111	127	144	161	178	194
7 Feet		80	97	113	130	146	162	179	131	153	176	198	221	243	266
10 Feet		114	137	160	183	206	229	252	185	217	248	279	311	NA	NA

*Note: Widths are available from 12" to 18" and from 24" to 36"

Table III: Aerodynamic Performance

Silencer Face Area is the cross-sectional area at the air entering face of the module or bank of modules. The Face Velocity is the CFM of airflow divided by the Face Area (in square feet). Pressure Drop for any face velocity can be calculated from the equation: $PD = (Actual\ FV/Catalog\ FV)^2(Catalog\ PD)$.

PD values are per ASTM E477 test standard. For the smaller widths available add 15% and subtract 5% for the larger widths available. If silencers are near elbows, transitions or other non-ideal conditions sufficient allowances must be made to account for system effects when calculating the overall silencer pressure loss.

Model	Static Pressure Drop, i.w.g.									
	3 ft.	5 ft.	7 ft.	10 ft.	250	500	750	1000	1250	1500
ULM1	0.04	0.04	0.04	0.05	NA	NA	NA	NA	NA	NA
	0.14	0.16	0.18	0.20	NA	NA	NA	NA	NA	NA
	0.32	0.36	0.40	0.46	NA	NA	NA	NA	NA	NA
	0.57	0.64	0.71	0.82	NA	NA	NA	NA	NA	NA
Silencer Face Velocity, fpm	250	500	750	1000	1250	1500				

Table IV: 1/3 Octave Band DIL Data

IAC Model	Octave Band Hz	31.5 Hz			63 Hz		
		25	31.5	40	50	63	80
Silencer Face Velocity, fpm							
3ULM1	-1000	2	2	3	4	6	8
	-750	2	2	3	4	6	8
	-500	2	2	3	4	5	8
	500	1	2	3	4	5	7
	750	1	2	2	3	5	7
	1000	1	2	2	3	5	7
5ULM1	-1000	3	4	5	7	10	13
	-750	3	4	5	7	9	13
	-500	3	4	5	7	9	12
	500	2	3	4	6	8	11
	750	2	3	4	6	8	11
	1000	2	3	4	5	8	11
7ULM1	-1000	4	5	7	10	13	18
	-750	4	5	7	10	13	17
	-500	4	5	7	9	13	17
	500	3	4	6	8	11	15
	750	3	4	5	8	11	15
	1000	3	4	5	7	10	14
10ULM1	-1000	6	8	11	14	19	25
	-750	5	7	10	14	19	25
	-500	5	7	10	13	18	24
	500	4	6	8	11	16	21
	750	4	5	8	11	15	20
	1000	4	5	7	10	14	20

One-Third (1/3) Octave Band data for IAC Quiet-Duct Ultra™/Low silencers is provided for those applications where Dynamic Insertion Loss performance in more discrete frequencies is required to effectively control narrow-band noise sources. Table IV presents the 1/3 Octave Band DIL components that combine to comprise the Full Octave Band DIL values.

Table V: Self-Noise Power Levels, dB re: 10-12 Watts

IAC Model	Octave Band Hz	0	1	2	3	4	5	6	7	8
		31.5*	63	125	250	500	1K	2K	4K	8K
Silencer Face Velocity, fpm										
ULM1	-1000	55	52	52	49	49	53	55	49	43
	-500	42	39	35	34	34	40	43	30	<20
	+500	41	38	34	33	33	39	42	29	<20
	+1000	54	51	51	48	48	52	54	48	42

*Estimated

Self-Noise values are shown for a five-square-foot area silencer. For each doubling of the face area add three dB; for each halving of the face area, subtract three dB from the values in Table V.



QUIET-DUCT ULTRA™/LOW SILENCERS

TYPE: ULM2

LOW FREQUENCY SILENCERS with FORWARD and REVERSE FLOW Ratings



The Quiet-Duct Ultra™/Low line of modular silencers, introduced in 2005, has been designed to optimize Dynamic Insertion Loss (DIL) performance for frequencies between 25 Hz and 80 Hz. The tests were conducted in strict accordance with ASTM E477-99 in IAC America's NVLAP Accredited Acoustical Laboratory. IAC is the first manufacturer to publish guaranteed test data at 31.5 Hz, including finer resolution of one-third-octave-band data for applications requiring narrow-band performance to match specific sound sources.

DESIGNATING SILENCERS

Model: 5ULM2-24-18

Length: 5' Type: ULM2 Width: 24" Height: 18"

Table I. Dynamic Insertion Loss (DIL) Ratings: Forward (+) / Reverse (-) Flow

IAC MODEL	Octave Band	0	1	2	3	4	5	6	7	8
	Hz	31.5	63	125	250	500	1K	2K	4K	8K
	Face Velocity, fpm									
3ULM2	-1000	3	7	14	18	18	15	13	11	10
	-750	3	7	14	17	18	15	13	11	10
	-500	3	7	14	17	18	15	13	11	10
	500	2	7	13	16	18	16	13	11	10
	750	2	6	13	16	18	16	13	11	10
	1000	2	6	13	16	17	16	13	11	10
5ULM2	-1000	5	11	21	27	27	21	16	13	12
	-750	4	11	21	26	27	21	16	13	12
	-500	4	11	20	26	27	21	16	13	12
	500	4	10	19	25	26	22	17	14	12
	750	4	9	19	25	26	22	17	14	12
	1000	3	9	19	24	26	22	17	14	12
7ULM2	-1000	6	14	28	36	36	28	20	16	14
	-750	6	14	27	36	36	28	20	16	14
	-500	6	14	27	35	36	28	20	16	14
	500	5	13	25	33	35	28	20	16	14
	750	5	12	25	33	35	28	20	16	14
	1000	5	12	24	33	35	28	20	16	14
10ULM2	-1000	9	19	36	44	44	35	24	18	15
	-750	8	19	35	43	44	35	24	19	15
	-500	8	19	34	43	44	35	24	19	15
	500	7	17	32	41	43	35	24	19	16
	750	7	16	32	41	43	35	24	19	16
	1000	6	16	31	41	43	35	24	19	16



(+) Forward Flow / (-) Reverse Flow. Aero-acoustic performance data based on NVLAP accredited laboratory tests conducted in strict accordance with ASTM E477-99. Contact IAC if attenuation in excess of 50 dB is required.

Table II: Weights and Measures*

Nominal Length	W/ in. H/ in.	21 12	21 18	21 24	21 30	21 36	21 42	21 48	42 12	42 18	42 24	42 30	42 36	42 42	42 48
3 Feet		42	50	59	67	75	84	92	71	83	96	108	120	133	145
5 Feet	Wt/ lb.	69	82	95	108	121	134	147	116	135	153	172	191	210	228
7 Feet		95	113	131	149	1666	184	202	1661	186	211	236	261	NA	NA
10 Feet		136	160	185	210	234	259	284	228	263	298	NA	NA	NA	NA

*Note: Widths are available from 18" to 24" and from 36" to 48"

Table III: Aerodynamic Performance

Silencer Face Area is the cross-sectional area at the air entering face of the module or bank of modules. The Face Velocity is the CFM of airflow divided by the Face Area (in square feet). Pressure Drop for any face velocity can be calculated from the equation: $PD = (Actual\ FV/Catalog\ FV)^2(Catalog\ PD)$.

PD values are per ASTM E477 test standard. For the smaller widths available add 15% and subtract 5% for the larger widths available. If silencers are near elbows, transitions or other non-ideal conditions sufficient allowances must be made to account for system effects when calculating the overall silencer pressure loss.

Model	Static Pressure Drop, i.w.g.									
	3 ft.	5 ft.	7 ft.	10 ft.	250	500	750	1000	1250	1500
ULM2	0.03	0.04	0.04	0.04	0.03	0.05	0.07	0.10	0.125	0.15
	0.13	0.14	0.16	0.17	0.30	0.58	0.83	1.08	1.33	1.45
	0.30	0.33	0.35	0.39	0.35	0.63	0.91	1.20	1.50	1.65
	0.53	0.58	0.63	0.70	0.63	1.08	1.45	1.91	2.28	2.52
Silencer Face Velocity, fpm										

Table IV: 1/3 Octave Band DIL Data

IAC Model	Octave Band Hz	31.5 Hz			63 Hz		
		25	31.5	40	50	63	80
3ULM2	-1000	2	3	4	5	8	10
	-750	2	3	4	5	8	10
	-500	2	3	4	5	8	10
	500	2	2	3	5	7	9
	750	2	2	3	4	7	9
	1000	2	2	3	4	7	9
5ULM2	-1000	3	5	6	8	12	15
	-750	3	4	6	8	11	15
	-500	3	4	6	8	11	15
	500	3	4	5	7	10	13
	750	3	4	5	7	10	13
	1000	2	3	5	7	10	13
7ULM2	-1000	5	6	9	12	15	20
	-750	4	6	8	11	15	19
	-500	4	6	8	11	15	19
	500	4	5	7	10	13	17
	750	3	5	7	10	13	17
	1000	3	5	7	9	13	17
10ULM2	-1000	6	9	12	16	21	27
	-750	6	9	12	16	21	26
	-500	6	8	11	15	20	26
	500	5	7	10	14	18	24
	750	5	7	9	13	18	23
	1000	4	6	9	13	17	22

One-Third (1/3) Octave Band data for IAC Quiet-Duct Ultra™/Low silencers is provided for those applications where Dynamic Insertion Loss performance in more discrete frequencies is required to effectively control narrow-band noise sources. Table IV presents the 1/3 Octave Band DIL components that combine to comprise the Full Octave Band DIL values.

Table V: Self-Noise Power Levels, dB re: 10-12 Watts

IAC Model	Octave Band Hz	0	1	2	3	4	5	6	7	8
		31.5*	63	125	250	500	1K	2K	4K	8K
ULM2	-1000	56	53	53	51	51	54	56	50	44
	-500	44	41	37	36	36	42	44	32	<20
	+500	41	38	34	33	33	39	42	29	<20
	+1000	54	51	51	48	48	52	54	48	42

*Estimated

Self-Noise values are shown for a seven-square-foot area silencer. For each doubling of the face area add three dB; for each halving of the face area, subtract three dB from the values in Table V.



QUIET-DUCT ULTRA™/LOW SILENCERS

TYPE: ULM3

LOW FREQUENCY SILENCERS with FORWARD and REVERSE FLOW Ratings



The Quiet-Duct Ultra™/Low line of modular silencers, introduced in 2005, has been designed to optimize Dynamic Insertion Loss (DIL) performance for frequencies between 25 Hz and 80 Hz. The tests were conducted in strict accordance with ASTM E477-99 in IAC America's NVLAP Accredited Acoustical Laboratory. IAC is the first manufacturer to publish guaranteed test data at 31.5 Hz, including finer resolution of one-third-octave-band data for applications requiring narrow-band performance to match specific sound sources.

DESIGNATING SILENCERS

Model: 5ULM3-24-18

Length: 5' Type: ULM3 Width: 24" Height: 18"

Table I. Dynamic Insertion Loss (DIL) Ratings: Forward (+) / Reverse (-) Flow

IAC MODEL	Octave Band	0	1	2	3	4	5	6	7	8
	Hz	31.5	63	125	250	500	1K	2K	4K	8K
	Face Velocity, fpm									
3ULM3	-1000	3	9	14	16	14	12	11	10	8
	-750	3	9	13	16	15	13	11	10	8
	-500	3	9	13	16	15	13	11	9	8
	500	3	8	13	15	15	14	11	9	8
	750	3	8	13	15	15	14	11	9	8
	1000	3	8	12	15	15	14	11	9	8
5ULM3	-1000	5	13	20	23	21	17	13	12	9
	-750	5	12	20	23	21	17	13	11	9
	-500	5	12	19	23	21	17	13	11	9
	500	4	11	18	22	21	17	14	11	9
	750	4	11	18	22	21	18	14	11	9
	1000	4	11	18	21	21	18	14	11	9
7ULM3	-1000	7	16	26	30	28	21	16	13	11
	-750	7	16	26	30	28	21	16	13	11
	-500	7	15	26	30	28	21	16	13	11
	500	6	14	24	29	28	21	16	13	11
	750	6	14	24	28	28	21	16	13	11
	1000	5	14	24	28	28	22	16	13	11
10ULM3	-1000	9	21	35	41	37	27	19	16	12
	-750	9	20	35	40	37	27	19	16	12
	-500	9	20	34	40	37	27	19	16	12
	500	8	18	32	38	37	27	19	16	12
	750	8	18	32	38	37	27	19	16	12
	1000	7	18	31	38	37	27	19	16	12



(+) Forward Flow / (-) Reverse Flow. Aero-acoustic performance data based on NVLAP accredited laboratory tests conducted in strict accordance with ASTM E477-99. Contact IAC if attenuation in excess of 50 dB is required.

Table II: Weights and Measures*

Nominal Length	W/ in. H/ in.	27 12	27 18	27 24	27 30	27 36	27 42	27 48	54 12	54 18	54 24	54 30	54 36	54 42	54 48
3 Feet	Wt/ lb.	48	57	67	76	85	94	103	84	98	112	125	139	153	167
5 Feet		79	93	107	121	135	149	163	137	158	178	199	219	240	261
7 Feet		110	129	148	167	186	204	223	191	218	245	273	300	NA	NA
10 Feet		157	183	209	235	261	287	313	NA	NA	NA	NA	NA	NA	NA

*Note: Widths are available from 24" to 30" and from 48" to 54"

Table III: Aerodynamic Performance

Silencer Face Area is the cross-sectional area at the air entering face of the module or bank of modules. The Face Velocity is the CFM of airflow divided by the Face Area (in square feet). Pressure Drop for any face velocity can be calculated from the equation: $PD = (Actual\ FV/Catalog\ FV)^2(Catalog\ PD)$.

PD values are per ASTM E477 test standard. For the smaller widths available add 15% and subtract 5% for the larger widths available. If silencers are near elbows, transitions or other non-ideal conditions sufficient allowances must be made to account for system effects when calculating the overall silencer pressure loss.

Model	Static Pressure Drop, i.w.g.									
	3 ft.	5 ft.	7 ft.	10 ft.	250	500	750	1000	1250	1500
ULM3	0.03	0.03	0.04	0.04	0.29	0.51	0.75	1.00	1.25	1.50
	0.13	0.14	0.15	0.16	0.31	0.55	0.79	1.03	1.27	1.51
	0.29	0.31	0.33	0.36	0.58	1.03	1.47	1.91	2.35	2.79
	0.51	0.55	0.58	0.64	0.91	1.58	2.27	2.96	3.65	4.34
Silencer Face Velocity, fpm	250	500	750	1000	1250	1500				

Table IV: 1/3 Octave Band DIL Data

IAC Model	Octave Band Hz	31.5 Hz			63 Hz		
		25	31.5	40	50	63	80
3ULM3	-1000	2	3	5	7	9	11
	-750	2	3	5	7	9	11
	-500	2	3	4	7	9	11
	500	2	3	4	6	9	10
	750	2	3	4	6	8	10
	1000	2	3	4	6	8	10
5ULM3	-1000	4	5	7	10	13	16
	-750	4	5	7	10	13	16
	-500	4	5	7	10	13	16
	500	3	4	6	9	12	15
	750	3	4	6	9	12	14
	1000	3	4	6	9	11	14
7ULM3	-1000	5	7	10	13	17	21
	-750	5	7	9	13	17	21
	-500	5	7	9	13	16	20
	500	4	6	8	12	15	19
	750	4	6	8	11	15	19
	1000	4	6	8	11	14	18
10ULM3	-1000	7	10	13	18	22	28
	-750	7	10	13	17	22	27
	-500	7	9	13	17	22	27
	500	6	8	11	15	20	25
	750	6	8	11	15	19	25
	1000	5	8	11	15	19	24

One-Third (1/3) Octave Band data for IAC Quiet-Duct Ultra™/Low silencers is provided for those applications where Dynamic Insertion Loss performance in more discrete frequencies is required to effectively control narrow-band noise sources. Table IV presents the 1/3 Octave Band DIL components that combine to comprise the Full Octave Band DIL values.

Table V: Self-Noise Power Levels, dB re: 10-12 Watts

IAC Model	Octave Band Hz	0	1	2	3	4	5	6	7	8
		31.5*	63	125	250	500	1K	2K	4K	8K
ULM3	-750	57	54	55	52	52	55	57	51	45
	-250	45	42	38	37	37	43	45	33	21
	+250	41	38	34	33	33	39	42	29	<20
	+750	54	51	51	48	48	52	54	48	42

*Estimated

Self-Noise values are shown for a nine-square-foot area silencer. For each doubling of the face area add three dB; for each halving of the face area, subtract three dB from the values in Table V.



QUIET-DUCT ULTRA™/LOW SILENCERS

TYPE: ULL1

LOW FREQUENCY SILENCERS with FORWARD and REVERSE FLOW Ratings



The Quiet-Duct Ultra™/Low line of modular silencers, introduced in 2005, has been designed to optimize Dynamic Insertion Loss (DIL) performance for frequencies between 25 Hz and 80 Hz. The tests were conducted in strict accordance with ASTM E477-99 in IAC America's NVLAP Accredited Acoustical Laboratory. IAC is the first manufacturer to publish guaranteed test data at 31.5 Hz, including finer resolution of one-third-octave-band data for applications requiring narrow-band performance to match specific sound sources.

DESIGNATING SILENCERS

Model: 5ULL1-24-18

Length: 5' Type: ULL1 Width: 24" Height: 18"

Table I. Dynamic Insertion Loss (DIL) Ratings: Forward (+) / Reverse (-) Flow

IAC MODEL	Octave Band	0	1	2	3	4	5	6	7	8
	Hz	31.5	63	125	250	500	1K	2K	4K	8K
	Face Velocity, fpm									
3ULL1	-1250	2	5	12	18	21	18	14	11	11
	-1000	2	5	12	18	21	18	14	11	11
	-750	2	5	12	18	20	18	15	11	11
	750	2	4	11	17	19	19	15	12	11
	1000	2	4	10	16	19	19	15	12	11
	1250	2	4	10	16	19	19	15	12	11
5ULL1	-1250	3	8	18	29	33	28	20	15	13
	-1000	3	8	18	29	32	28	20	15	13
	-750	3	8	18	28	32	28	21	15	13
	750	3	7	16	26	31	28	21	15	13
	1000	2	7	16	26	30	28	21	15	13
	1250	2	6	15	26	30	28	21	15	13
7ULL1	-1250	5	11	24	37	41	36	25	17	15
	-1000	5	11	24	36	41	36	25	17	15
	-750	4	11	23	36	40	36	25	18	15
	750	3	9	21	34	39	35	26	18	16
	1000	3	9	20	33	38	35	26	18	16
	1250	3	8	20	33	38	35	26	18	16
10ULL1	-1250	7	16	33	46	49	44	31	21	17
	-1000	6	16	32	46	49	44	31	21	17
	-750	6	15	31	45	49	44	32	21	17
	750	5	12	28	43	48	44	32	22	19
	1000	4	12	27	43	48	44	32	22	19
	1250	4	11	26	43	48	44	32	22	19



(+) Forward Flow / (-) Reverse Flow. Aero-acoustic performance data based on NVLAP accredited laboratory tests conducted in strict accordance with ASTM E477-99. Contact IAC if attenuation in excess of 50 dB is required.

Table II: Weights and Measures*

Nominal Length	W/ in. H/ in.	15 12	15 18	15 24	15 30	15 36	15 42	15 48	30 12	30 18	30 24	30 30	30 36	30 42	30 48
3 Feet	Wt/ lb.	35	43	50	58	65	73	80	58	68	79	90	100	111	122
5 Feet		58	70	82	94	106	118	129	95	111	128	144	160	177	193
7 Feet		81	97	114	130	146	162	178	132	154	177	199	221	243	265
10 Feet		116	138	161	184	206	229	252	188	219	250	280	311	NA	NA

*Note: Widths are available from 12" to 18" and from 24" to 36"

Table III: Aerodynamic Performance

Silencer Face Area is the cross-sectional area at the air entering face of the module or bank of modules. The Face Velocity is the CFM of airflow divided by the Face Area (in square feet). Pressure Drop for any face velocity can be calculated from the equation: $PD = (Actual\ FV/Catalog\ FV)^2(Catalog\ PD)$.

PD values are per ASTM E477 test standard. For the smaller widths available add 15% and subtract 5% for the larger widths available. If silencers are near elbows, transitions or other non-ideal conditions sufficient allowances must be made to account for system effects when calculating the overall silencer pressure loss.

Model	Static Pressure Drop, i.w.g.						
ULL1	3 ft.	0.03	0.10	0.23	0.41	0.64	NA
	5 ft.	0.03	0.12	0.26	0.47	0.73	NA
	7 ft.	0.03	0.13	0.29	0.52	0.82	NA
	10 ft.	0.04	0.15	0.34	0.60	0.94	NA
Silencer Face Velocity, fpm	250	500	750	1000	1250	1500	

Table IV: 1/3 Octave Band DIL Data

IAC Model	Octave Band Hz	31.5 Hz			63 Hz		
		25	31.5	40	50	63	80
3ULL1	-1250	1	2	3	4	5	7
	-1000	1	2	3	4	5	7
	-750	1	2	3	4	5	7
	750	1	2	2	3	4	6
	1000	1	2	2	3	4	6
	1250	1	1	2	3	4	6
5ULL1	-1250	3	3	5	6	9	12
	-1000	2	3	4	6	8	11
	-750	2	3	4	6	8	11
	750	2	2	3	5	7	10
	1000	2	2	3	5	7	9
	1250	2	2	3	5	6	9
7ULL1	-1250	4	5	6	9	12	16
	-1000	3	5	6	9	12	16
	-750	3	4	6	8	11	15
	750	2	3	5	7	9	13
	1000	2	3	5	6	9	13
	1250	2	3	4	6	9	12
10ULL1	-1250	5	7	9	13	17	23
	-1000	5	6	9	12	17	22
	-750	5	6	9	12	16	22
	750	3	5	7	9	13	18
	1000	3	4	6	9	13	17
	1250	3	4	6	9	12	17

One-Third (1/3) Octave Band data for IAC Quiet-Duct Ultra™/Low silencers is provided for those applications where Dynamic Insertion Loss performance in more discrete frequencies is required to effectively control narrow-band noise sources. Table IV presents the 1/3 Octave Band DIL components that combine to comprise the Full Octave Band DIL values.

Table V: Self-Noise Power Levels, dB re: 10-12 Watts

IAC Model	Octave Band Hz	0	1	2	3	4	5	6	7	8
		31.5*	63	125	250	500	1K	2K	4K	8K
ULL1	-1250	55	52	53	50	50	53	56	50	44
	-750	46	43	41	39	39	44	47	36	26
	+750	45	42	40	38	38	43	46	35	25
	+1250	55	52	52	49	49	52	55	49	43

*Estimated

Self-Noise values are shown for a five-square-foot area silencer. For each doubling of the face area add three dB; for each halving of the face area, subtract three dB from the values in Table V.



The Quiet-Duct Ultra™/Low line of modular silencers, introduced in 2005, has been designed to optimize Dynamic Insertion Loss (DIL) performance for frequencies between 25 Hz and 80 Hz. The tests were conducted in strict accordance with ASTM E477-99 in IAC America's NVLAP Accredited Acoustical Laboratory. IAC is the first manufacturer to publish guaranteed test data at 31.5 Hz, including finer resolution of one-third-octave-band data for applications requiring narrow-band performance to match specific sound sources.

DESIGNATING SILENCERS

Model: 5ULL2-24-18

Length: 5' Type: ULL2 Width: 24" Height: 18"

Table I. Dynamic Insertion Loss (DIL) Ratings: Forward (+) / Reverse (-) Flow

IAC MODEL	Octave Band	0	1	2	3	4	5	6	7	8
	Hz	31.5	63	125	250	500	1K	2K	4K	8K
	Face Velocity, fpm									
3ULL2	-1250	3	7	13	16	16	13	11	10	9
	-1000	2	6	13	16	16	14	11	10	9
	-750	2	6	12	16	16	14	11	10	9
	750	2	6	11	15	16	15	12	10	8
	1000	2	6	11	15	16	15	12	10	8
	1250	2	5	11	14	16	15	12	10	8
5ULL2	-1250	4	10	19	25	25	19	15	12	10
	-1000	4	10	19	24	25	19	15	12	10
	-750	4	9	19	24	24	19	15	12	10
	750	3	8	17	22	24	20	15	12	10
	1000	3	8	17	22	24	20	15	12	10
	1250	3	8	16	22	24	20	15	12	10
7ULL2	-1250	5	13	25	33	33	25	18	14	12
	-1000	5	13	25	33	33	25	18	14	12
	-750	5	12	24	32	33	25	18	14	12
	750	4	11	22	30	32	25	18	14	12
	1000	4	11	22	30	32	25	18	14	12
	1250	4	10	22	29	32	25	18	14	12
10ULL2	-1250	8	18	32	41	41	31	22	17	13
	-1000	7	17	32	40	41	31	22	17	13
	-750	7	17	32	40	41	31	22	17	13
	750	6	14	29	38	40	31	22	17	13
	1000	5	14	28	38	40	31	22	18	14
	1250	5	14	28	37	39	31	23	18	14

Table II: Weights and Measures*

Nominal Length	W/ in. H/ in.	21 12	21 18	21 24	21 30	21 36	21 42	21 48	42 12	42 18	42 24	42 30	42 36	42 42	42 48
3 Feet		42	50	58	67	75	83	91	71	83	95	107	119	131	143
5 Feet	Wt/ lb.	69	82	95	107	120	133	146	117	135	153	171	189	208	226
7 Feet		96	114	131	148	166	183	200	163	187	211	236	260	NA	NA
10 Feet		137	161	185	210	234	258	282	232	265	299	NA	NA	NA	NA

*Note: Widths are available from 18" to 24" and from 36" to 48"

Table III: Aerodynamic Performance

Silencer Face Area is the cross-sectional area at the air entering face of the module or bank of modules. The Face Velocity is the CFM of airflow divided by the Face Area (in square feet). Pressure Drop for any face velocity can be calculated from the equation: $PD = (Actual\ FV/Catalog\ FV)^2(Catalog\ PD)$.

PD values are per ASTM E477 test standard. For the smaller widths available add 15% and subtract 5% for the larger widths available. If silencers are near elbows, transitions or other non-ideal conditions sufficient allowances must be made to account for system effects when calculating the overall silencer pressure loss.

Model	Static Pressure Drop, i.w.g.						
ULL2	3 ft.	0.02	0.10	0.22	0.38	0.60	0.87
	5 ft.	0.03	0.11	0.24	0.42	0.66	0.95
	7 ft.	0.02	0.11	0.26	0.46	0.72	NA
	10 ft.	0.03	0.13	0.29	0.51	0.80	NA
Silencer Face Velocity, fpm	250	500	750	1000	1250	1500	

Table IV: 1/3 Octave Band DIL Data

IAC Model	Octave Band Hz	31.5 Hz			63 Hz		
		25	31.5	40	50	63	80
3ULL2	-1250	2	3	3	5	7	9
	-1000	2	2	3	5	7	9
	-750	2	2	3	5	7	9
	750	1	2	3	4	6	8
	1000	1	2	3	4	6	8
	1250	1	2	3	4	6	8
5ULL2	-1250	3	4	6	8	10	14
	-1000	3	4	5	7	10	13
	-750	3	4	5	7	10	13
	750	2	3	4	6	9	12
	1000	2	3	4	6	9	11
	1250	2	3	4	6	8	11
7ULL2	-1250	4	6	8	10	14	18
	-1000	4	5	7	10	14	17
	-750	4	5	7	10	13	17
	750	3	4	6	8	12	15
	1000	3	4	6	8	11	15
	1250	3	4	6	8	11	15
10ULL2	-1250	6	8	11	15	19	24
	-1000	6	8	10	14	19	24
	-750	5	7	10	14	18	23
	750	4	6	8	12	16	21
	1000	4	6	8	11	15	20
	1250	4	5	8	11	15	20

One-Third (1/3) Octave Band data for IAC Quiet-Duct Ultra™/Low silencers is provided for those applications where Dynamic Insertion Loss performance in more discrete frequencies is required to effectively control narrow-band noise sources. Table IV presents the 1/3 Octave Band DIL components that combine to comprise the Full Octave Band DIL values.

Table V: Self-Noise Power Levels, dB re: 10-12 Watts

IAC Model	Octave Band Hz	0	1	2	3	4	5	6	7	8
		31.5*	63	125	250	500	1K	2K	4K	8K
ULL2	-1250	57	54	54	52	52	55	57	51	45
	-750	48	45	42	41	41	46	48	38	27
	+750	45	42	40	38	38	43	46	35	25
	+1250	55	52	52	49	49	52	55	49	43

*Estimated

Self-Noise values are shown for a seven-square-foot area silencer. For each doubling of the face area add three dB; for each halving of the face area, subtract three dB from the values in Table V.



QUIET-DUCT ULTRA™/LOW SILENCERS

TYPE: ULL3

LOW FREQUENCY SILENCERS with FORWARD and REVERSE FLOW Ratings



The Quiet-Duct Ultra™/Low line of modular silencers, introduced in 2005, has been designed to optimize Dynamic Insertion Loss (DIL) performance for frequencies between 25 Hz and 80 Hz. The tests were conducted in strict accordance with ASTM E477-99 in IAC America's NVLAP Accredited Acoustical Laboratory. IAC is the first manufacturer to publish guaranteed test data at 31.5 Hz, including finer resolution of one-third-octave-band data for applications requiring narrow-band performance to match specific sound sources.

DESIGNATING SILENCERS

Model: 5ULL3-24-18

Length: 5' Type: ULL3 Width: 24" Height: 18"

Table I. Dynamic Insertion Loss (DIL) Ratings: Forward (+) / Reverse (-) Flow

IAC MODEL	Octave Band	0	1	2	3	4	5	6	7	8
	Hz	31.5	63	125	250	500	1K	2K	4K	8K
	Face Velocity, fpm									
3ULL3	-1250	3	8	12	14	13	11	10	8	7
	-1000	3	8	12	14	13	11	10	8	7
	-750	3	8	12	14	13	12	10	8	7
	750	2	7	11	13	14	12	10	8	6
	1000	2	7	11	13	14	13	10	8	6
	1250	2	7	11	13	14	13	10	7	6
5ULL3	-1250	5	11	18	21	19	15	12	10	7
	-1000	5	11	18	21	19	15	12	9	7
	-750	4	11	18	21	19	15	12	9	7
	750	4	10	16	20	20	16	12	9	7
	1000	4	10	16	20	20	16	12	9	7
	1250	4	9	16	19	20	16	12	9	7
7ULL3	-1250	6	14	24	28	25	19	14	10	9
	-1000	6	14	24	28	25	19	14	10	9
	-750	6	14	23	27	25	19	14	10	9
	750	5	12	22	26	25	19	14	9	8
	1000	5	12	21	26	25	19	15	9	8
	1250	5	12	21	25	25	20	15	9	8
10ULL3	-1250	8	19	32	37	34	24	17	14	10
	-1000	8	19	32	37	34	24	17	13	9
	-750	8	18	31	37	34	24	17	13	9
	750	7	16	29	35	33	24	18	13	9
	1000	6	16	28	34	33	24	18	13	9
	1250	6	15	28	34	33	24	18	13	8



(+) Forward Flow / (-) Reverse Flow. Aero-acoustic performance data based on NVLAP accredited laboratory tests conducted in strict accordance with ASTM E477-99. Contact IAC if attenuation in excess of 50 dB is required.

Table II: Weights and Measures*

Nominal Length	W/ in. H/ in.	27 12	27 18	27 24	27 30	27 36	27 42	27 48	54 12	54 18	54 24	54 30	54 36	54 42	54 48
3 Feet	Wt/ lb.	49	57	66	75	84	93	102	84	98	111	124	138	151	164
5 Feet		80	94	107	121	135	148	162	139	159	179	198	218	238	258
7 Feet		112	130	148	167	185	204	222	193	220	246	273	299	NA	NA
10 Feet		159	184	210	236	261	287	312	NA	NA	NA	NA	NA	NA	NA

*Note: Widths are available from 24" to 30" and from 48" to 54"

Table III: Aerodynamic Performance

Silencer Face Area is the cross-sectional area at the air entering face of the module or bank of modules. The Face Velocity is the CFM of airflow divided by the Face Area (in square feet). Pressure Drop for any face velocity can be calculated from the equation: $PD = (Actual\ FV/Catalog\ FV)^2(Catalog\ PD)$.

PD values are per ASTM E477 test standard. For the smaller widths available add 15% and subtract 5% for the larger widths available. If silencers are near elbows, transitions or other non-ideal conditions sufficient allowances must be made to account for system effects when calculating the overall silencer pressure loss.

Model	Static Pressure Drop, i.w.g.						
ULL3	3 ft.	0.02	0.09	0.21	0.37	0.58	0.83
	5 ft.	0.02	0.10	0.22	0.40	0.62	0.89
	7 ft.	0.03	0.11	0.24	0.42	0.66	0.96
	10 ft.	0.03	0.12	0.26	0.47	0.73	1.05
Silencer Face Velocity, fpm	250	500	750	1000	1250	1500	

Table IV: 1/3 Octave Band DIL Data

IAC Model	Octave Band Hz	31.5 Hz			63 Hz		
		25	31.5	40	50	63	80
3ULL3	-1250	2	3	4	6	8	10
	-1000	2	3	4	6	8	10
	-750	2	3	4	6	8	10
	750	2	2	3	5	7	9
	1000	2	2	3	5	7	9
	1250	2	2	3	5	7	9
5ULL3	-1250	3	5	6	9	12	15
	-1000	3	5	6	9	12	14
	-750	3	4	6	9	11	14
	750	3	4	5	8	10	13
	1000	3	4	5	8	10	13
	1250	3	3	5	7	10	12
7ULL3	-1250	5	6	9	12	15	19
	-1000	4	6	8	12	15	19
	-750	4	6	8	11	15	18
	750	4	5	7	10	13	17
	1000	3	5	7	10	13	16
	1250	3	5	7	9	13	16
10ULL3	-1250	6	9	12	16	20	25
	-1000	6	9	12	15	20	25
	-750	6	8	11	15	19	24
	750	5	7	10	13	17	22
	1000	5	7	9	13	17	22
	1250	4	6	9	13	17	21

One-Third (1/3) Octave Band data for IAC Quiet-Duct Ultra™/Low silencers is provided for those applications where Dynamic Insertion Loss performance in more discrete frequencies is required to effectively control narrow-band noise sources. Table IV presents the 1/3 Octave Band DIL components that combine to comprise the Full Octave Band DIL values.

Table V: Self-Noise Power Levels, dB re: 10-12 Watts

IAC Model	Octave Band Hz	0	1	2	3	4	5	6	7	8
		31.5*	63	125	250	500	1K	2K	4K	8K
ULL3	-1250	58	55	56	53	53	56	58	52	47
	-750	49	46	43	42	42	47	49	39	28
	+750	45	42	40	38	38	43	46	35	25
	+1250	55	52	52	49	49	52	55	49	43

*Estimated

Self-Noise values are shown for a nine-square-foot area silencer. For each doubling of the face area add three dB; for each halving of the face area, subtract three dB from the values in Table V.



QUIET-DUCT ULTRA™ /GREEN SILENCERS

1.01 GENERAL

- A. Furnish and install "IAC Quiet-Duct ULTRA™ /Green " (rectangular) silencers of the types and sizes shown on the plans and/or listed in the schedule. Silencers shall be the product of Industrial Acoustics Company. Any specification change must be submitted in writing and approved by the Architect/Engineer, in writing, at least 10 days prior to the bid due-date.

2.01 MATERIALS

- A. Outer casings of rectangular silencers shall be made of 22 gauge type #G-90 lock-former-quality galvanized steel.
- B. Interior partitions for rectangular silencers shall be not less than 26 gauge type #G-90 galvanized lock-former-quality perforated steel.
- C. Acoustic fill material shall be 100% environmentally friendly, and constructed of recycled natural fibers. Each fiber shall be treated with an EPA registered fungal inhibitor in order to prevent mold, mildew, fungi, and pest protection. The fill material must not contain any harmful chemicals, irritants, and/or volatile organic compounds (VOCs) in order to prevent off-gassing.
- D. Combustion ratings for the silencer acoustic fill shall be not greater than the following when tested to ASTM E 84, NFPA Standard 255, or UL No. 723:
 - Flamespread Classification 5
 - Smoke Development Rating 35

3.01 CONSTRUCTION

- A. Units shall be constructed in accordance with the ASHRAE Guide recommendations for high pressure duct work. Seams shall be lock formed and mastic filled. Rectangular casing seams shall be in the corners of the silencer shell to provide maximum unit strength and rigidity. Interior partitions shall be fabricated from single-piece, margin-perforated sheets and shall have die-formed entrance and exit shapes so as to provide the maximum aerodynamic efficiency and minimum self-noise characteristics in the sound attenuator. Blunt noses or squared off partitions will not be accepted.
- B. Attachment of the interior partitions to the casing shall be by means of an interlocking track assembly. Tracks shall be solid galvanized steel and shall be welded to the outer casing. Attachment of the interior partitions to the tracks shall be such that a minimum of 4 thicknesses of metal exist at this location. The track assembly shall stiffen the exterior casing, provide a reinforced attachment detail for the interior partitions, and shall maintain a uniform airspace width along the length of the silencer for consistent aerodynamic and acoustic performance. Interior partitions shall be additionally secured to the outer casing with welded nose clips at both ends of the sound attenuator.

- C. Sound attenuating units shall not fail structurally when subjected to a differential air pressure of 8 inches water gauge from inside to outside the casing. Airtight construction shall be provided by use of a duct sealing compound on the job-site material and labor furnished by the contractor.

4.01 ACOUSTIC PERFORMANCE

- A. All silencer ratings shall be determined in a duct-to-reverberant room test facility which provides for airflow in both directions through the test silencer in accordance with ASTM Specification E477-99. The test facility shall be NVLAP accredited for the ASTM E477-99 test standard. Data from a non-accredited laboratory will not be acceptable. The test set-up and procedure shall be such that all effects due to end reflection, directivity, flanking transmission, standing waves, and test chamber sound absorption are eliminated. Acoustic ratings shall include Dynamic Insertion Loss (DIL) and Self-Noise (SN) Power Levels both for FORWARD FLOW (air and noise in same direction) and REVERSE FLOW (air and noise in opposite directions) with airflow of at least 2000 fpm entering face velocity. Data for rectangular and tubular type silencers shall be presented for tests conducted using silencers no smaller than the following cross-sections:

Rectangular, inch: 24x24, 24x30, or 24x36,
and
Tubular, inch: 12, 24, 36, and 48

5.01 AERODYNAMIC PERFORMANCE

- A. Static pressure loss of silencers shall not exceed those listed in the silencer schedule as the airflow indicates. Airflow measurements shall be made in accordance with ASTM specification E477-99 and applicable portions of ASME, AMCA, and ADC airflow test codes. Tests shall be reported on the identical units for which acoustic data is presented.

6.01 CERTIFICATION

- A. With submittals, the manufacturer shall supply certified test data on Dynamic Insertion Loss, Self-Noise Power Levels, and Aerodynamic Performance for Reverse and Forward Flow test conditions. Test data shall be for a standard product. All rating tests shall be conducted in the same facility, shall utilize the same silencer, and shall be open to inspection upon request from the Architect/Engineer.

7.01 DUCT TRANSITIONS

- A. When transitions are required to adapt silencer dimensions to connecting duct work they shall be furnished by the installing contractor.



QUIET-DUCT ULTRA™ /GREEN SILENCERS

TYPE: UGLFS

ENVIRONMENTALLY SOUND SILENCERS with FORWARD and REVERSE FLOW Ratings



In response to the current trend for environmentally friendly building products, IAC America introduces Quiet-Duct Ultra™ /Green, a 100% environmentally friendly attenuation solution which uses recycled acoustic fill material. Quiet-Duct Ultra™ /Green delivers performance that meets or exceeds that of a standard Quiet-Duct™ silencer in almost every situation. The tests were measured in strict accordance with ASTM E477-99 in IAC America's NVLAP Accredited Acoustical Laboratory.

DESIGNATING SILENCERS

Model: 5UGLFS-24-18

Length: 5' Type: UGLFS Width: 24" Height: 18"

Table I. Dynamic Insertion Loss (DIL) Ratings: Forward (+) / Reverse (-) Flow

IAC MODEL	Octave Band	1	2	3	4	5	6	7	8
	Hz	63	125	250	500	1K	2K	4K	8K
	Face Velocity, fpm								
3UGLFS	-2000	6	13	25	32	28	20	17	14
	-1000	6	12	24	32	27	20	19	14
	0	5	12	24	32	28	21	19	14
	1000	6	11	22	30	27	21	18	14
	2000	5	9	20	29	26	20	18	14
5UGLFS	-2000	11	23	39	46	44	27	24	19
	-1000	11	22	36	45	44	29	25	18
	0	10	20	35	43	43	29	24	17
	1000	10	17	31	40	41	28	22	14
	2000	9	14	29	38	39	29	20	14
7UGLFS	-2000	12	27	43	50	49	33	21	18
	-1000	12	23	43	48	49	36	25	17
	0	10	24	40	45	46	32	23	16
	1000	10	22	35	42	43	29	20	17
	2000	10	23	37	45	44	28	19	16
10UGLFS	-2000	16	32	48	52	52	43	24	18
	-1000	15	31	52	51	54	45	30	19
	0	16	30	51	52	54	47	32	20
	1000	14	26	48	54	53	49	33	24
	2000	13	24	47	56	55	49	36	26



(+) Forward Flow / (-) Reverse Flow. Aero-acoustic performance data based on NVLAP accredited laboratory tests conducted in strict accordance with ASTM E477-99. Contact IAC if attenuation in excess of 50 dB is required.

Table II: Weights and Measures

Nominal Length	W/ In H/ In	6 18	6 24	6 30	6 36	6 42	6 48	12 18	12 24	12 30	12 36	12 42	12 48	24 18	24 24	24 30
3 feet	Wt/ lb.	18	21	25	29	31	35	35	42	50	57	61	70	54	64	74
5 feet		29	35	42	47	52	59	58	70	83	94	104	117	89	104	121
7 feet		41	49	59	67	75	83	82	98	118	134	150	166	125	146	175
10 feet		59	70	84	95	-	-	117	140	167	190	-	-	178	209	250

Nominal Length	W/ In H/ In	24 36	24 42	24 48	36 18	36 24	36 30	36 36	36 42	36 48	48 18	48 24	48 30	48 36	48 42	48 48
3 feet	Wt/ lb.	82	92	102	89	106	124	139	153	172	108	128	148	164	184	204
5 feet		136	152	157	147	174	204	230	256	274	178	208	242	272	304	314
7 feet		196	218	240	207	244	293	330	-	-	-	-	-	-	-	-
10 feet		280	-	-	295	349	417	470	-	-	-	-	-	-	-	-

Table III: Aerodynamic Performance

Model	L/ Ft	Static Pressure Drop, i.w.g.															
UGLFS	3	0.04	0.05	0.07	0.09	0.11	0.14	0.17	0.20	0.24	0.28	0.32	0.36	0.41	0.46	0.51	0.57
	5	0.04	0.06	0.08	0.10	0.13	0.16	0.19	0.22	0.26	0.31	0.35	0.40	0.45	0.51	0.56	0.62
	7	0.04	0.06	0.08	0.10	0.13	0.16	0.20	0.23	0.28	0.32	0.37	0.42	0.47	0.53	0.59	0.65
	10	0.04	0.06	0.09	0.11	0.14	0.18	0.21	0.26	0.30	0.35	0.40	0.45	0.51	0.57	0.64	0.71
Silencer Face Velocity, fpm	250	300	350	400	450	500	550	600	650	700	750	800	850	900	950	1000	

Table IV: Self-Noise Power Levels, dB re: 10-12 Watts

IAC Model	Octave Band	1	2	3	4	5	6	7	8
	Hz	63	125	250	500	1K	2K	4K	8K
	Silencer Face Velocity, fpm								
UGLFS All Sizes	-2,000	58	54	58	61	62	62	65	63
	-1,500	51	49	53	56	56	59	60	53
	-1,000	45	42	45	43	45	49	44	37
	1,000	46	42	45	43	45	49	44	37
	1,500	56	54	57	56	52	56	57	51
	2,000	68	64	65	66	61	61	64	61

(+) Forward Flow / (-) Reverse Flow. Aero-acoustic performance data based on NVLAP accredited laboratory tests conducted in strict accordance with ASTM E477-99.

TAKE NOTE!

- Silencer Face Area is the cross-sectional area at the silencer entrance.
- Face Velocity is the CFM of airflow divided by the Face Area (in sq. ft.)
- Pressure Drop for any velocity can be calculated from this equation:
 $PD = (\text{Actual FV}/\text{Catalog FV})^2 \times (\text{Catalog PD})$
- Self Noise values shown are for a four-square-foot face area silencer.
- For each doubling of the face area add 3 dB to the self-noise values listed.
- For each halving of the face area subtract 3 dB from the self-noise values listed.
- Weights and measures are listed for limited number of available sizes.



QUIET-DUCT ULTRA™ /GREEN SILENCERS

TYPE: UGLFM

ENVIRONMENTALLY SOUND SILENCERS with FORWARD and REVERSE FLOW Ratings



In response to the current trend for environmentally friendly building products, IAC America introduces Quiet-Duct Ultra™ /Green, a 100% environmentally friendly attenuation solution which uses recycled acoustic fill material. Quiet-Duct Ultra™ /Green delivers performance that meets or exceeds that of a standard Quiet-Duct™ silencer in almost every situation. The tests were measured in strict accordance with ASTM E477-99 in IAC America's NVLAP Accredited Acoustical Laboratory.

DESIGNATING SILENCERS

Model: 5UGLFM-24-18

Length: 5' Type: UGLFM Width: 24" Height: 18"

Table I. Dynamic Insertion Loss (DIL) Ratings: Forward (+) / Reverse (-) Flow

IAC MODEL	Octave Band	1	2	3	4	5	6	7	8
	Hz	63	125	250	500	1K	2K	4K	8K
	Face Velocity, fpm								
3ULFM	-2000	5	9	17	24	20	13	14	12
	-1000	4	8	17	25	20	14	15	11
	0	3	8	16	24	20	14	14	10
	1000	2	6	14	22	18	13	12	10
	2000	2	6	14	22	18	12	12	10
5ULFM	-2000	6	17	28	37	31	16	18	16
	-1000	6	15	27	37	31	18	21	15
	0	6	14	27	36	31	18	19	14
	1000	6	12	24	34	30	18	15	10
	2000	5	10	23	32	30	18	15	9
7ULFM	-2000	10	21	35	44	38	20	16	16
	-1000	9	19	33	42	40	22	20	15
	0	9	19	32	42	40	22	19	14
	1000	9	15	29	43	39	23	18	16
	2000	8	14	28	42	40	23	18	16
10ULFM	-2000	13	26	43	51	49	25	19	17
	-1000	12	23	42	50	50	28	24	17
	0	13	23	41	51	51	28	23	16
	1000	12	20	39	52	51	29	22	17
	2000	11	19	37	52	52	29	22	19



(+) Forward Flow / (-) Reverse Flow. Aero-acoustic performance data based on NVLAP accredited laboratory tests conducted in strict accordance with ASTM E477-99. Contact IAC if attenuation in excess of 50 dB is required.

Table II: Weights and Measures

Nominal Length	W/ In H/ In	6 18	6 24	6 30	6 36	6 42	6 48	12 18	12 24	12 30	12 36	12 42	12 48	24 18	24 24	24 30
3 feet	Wt/ lb.	18	21	25	29	31	35	35	42	50	57	61	70	54	64	74
5 feet		29	35	42	47	52	59	58	70	83	94	104	117	89	104	121
7 feet		41	49	59	67	75	83	82	98	118	134	150	166	125	146	175
10 feet		59	70	84	95	-	-	117	140	167	190	-	-	178	209	250

Nominal Length	W/ In H/ In	24 36	24 42	24 48	36 18	36 24	36 30	36 36	36 42	36 48	48 18	48 24	48 30	48 36	48 42	48 48
3 feet	Wt/ lb.	82	92	102	89	106	124	139	153	172	108	128	148	164	184	204
5 feet		136	152	157	147	174	204	230	256	274	178	208	242	272	304	314
7 feet		196	218	240	207	244	293	330	-	-	-	-	-	-	-	-
10 feet		280	-	-	295	349	417	470	-	-	-	-	-	-	-	-

Table III: Aerodynamic Performance

Model	L/ Ft	Static Pressure Drop, i.w.g.															
UGLFM	3	0.05	0.07	0.09	0.12	0.15	0.19	0.23	0.27	0.32	0.37	0.42	0.48	0.55	0.61	0.68	0.76
	5	0.05	0.07	0.10	0.13	0.16	0.20	0.24	0.29	0.34	0.39	0.45	0.51	0.57	0.64	0.72	0.79
	7	0.05	0.07	0.10	0.13	0.17	0.21	0.25	0.30	0.35	0.41	0.47	0.53	0.60	0.67	0.75	0.83
	10	0.06	0.08	0.12	0.15	0.19	0.24	0.29	0.34	0.40	0.46	0.53	0.60	0.68	0.76	0.85	0.94
Silencer Face Velocity, fpm	500	600	700	800	900	1000	1100	1200	1300	1400	1500	1600	1700	1800	1900	2000	

Table IV: Self-Noise Power Levels, dB re: 10-12 Watts

IAC Model	Octave Band	1	2	3	4	5	6	7	8
	Hz	63	125	250	500	1K	2K	4K	8K
	Silencer Face Velocity, fpm								
UGLFM All Sizes	-3,000	64	62	64	66	65	64	66	62
	-2,000	53	50	54	56	56	59	58	51
	-1,000	42	40	43	45	47	46	37	27
	1,000	47	34	36	35	40	37	27	20
	2,000	54	52	58	56	51	56	55	50
	3,000	68	64	64	63	61	63	66	63

(+) Forward Flow / (-) Reverse Flow. Aero-acoustic performance data based on NVLAP accredited laboratory tests conducted in strict accordance with ASTM E477-99.

TAKE NOTE!

- Silencer Face Area is the cross-sectional area at the silencer entrance.
- Face Velocity is the CFM of airflow divided by the Face Area (in sq. ft.)
- Pressure Drop for any velocity can be calculated from this equation:
 $PD = (\text{Actual FV}/\text{Catalog FV})^2 \times (\text{Catalog PD})$
- Self Noise values shown are for a four-square-foot face area silencer.
- For each doubling of the face area add 3 dB to the self-noise values listed.
- For each halving of the face area subtract 3 dB from the self-noise values listed.
- Weights and measures are listed for limited number of available sizes.



QUIET-DUCT ULTRA™ /GREEN SILENCERS

TYPE: UGLFL

ENVIRONMENTALLY SOUND SILENCERS with FORWARD and REVERSE FLOW Ratings



In response to the current trend for environmentally friendly building products, IAC America introduces Quiet-Duct Ultra™ /Green, a 100% environmentally friendly attenuation solution which uses recycled acoustic fill material. Quiet-Duct Ultra™ /Green delivers performance that meets or exceeds that of a standard Quiet-Duct™ silencer in almost every situation. The tests were measured in strict accordance with ASTM E477-99 in IAC America's NVLAP Accredited Acoustical Laboratory.

DESIGNATING SILENCERS

Model: 5UGLFL-24-18

Length: 5' Type: UGLFL Width: 24" Height: 18"

Table I. Dynamic Insertion Loss (DIL) Ratings: Forward (+) / Reverse (-) Flow

IAC MODEL	Octave Band	1	2	3	4	5	6	7	8
	Hz	63	125	250	500	1K	2K	4K	8K
	Face Velocity, fpm								
3UGLFL	-2000	3	7	15	20	19	11	14	12
	-1000	3	8	14	20	18	12	15	11
	0	3	9	16	23	23	16	14	10
	1000	3	9	16	25	26	20	13	10
	2000	3	8	15	25	25	13	13	10
5UGLFL	-2000	5	12	22	31	31	14	20	16
	-1000	5	12	20	31	30	17	21	15
	0	5	11	20	30	29	16	18	13
	1000	4	8	17	27	26	15	13	9
	2000	4	7	16	27	25	14	13	8
7UGLFL	-2000	8	18	28	38	31	16	16	15
	-1000	7	15	25	37	32	18	18	14
	0	6	15	25	38	32	18	17	13
	1000	6	12	23	39	31	19	16	15
	2000	5	10	20	38	32	18	16	15
10UGLFL	-2000	10	23	34	42	41	18	19	17
	-1000	9	20	33	41	43	21	21	16
	0	9	19	31	43	43	21	20	15
	1000	9	15	28	46	42	22	19	16
	2000	7	13	26	47	43	21	18	16



(+) Forward Flow / (-) Reverse Flow. Aero-acoustic performance data based on NVLAP accredited laboratory tests conducted in strict accordance with ASTM E477-99. Contact IAC if attenuation in excess of 50 dB is required.

Table II: Weights and Measures

Nominal Length	W/ In H/ In	6 18	6 24	6 30	6 36	6 42	6 48	12 18	12 24	12 30	12 36	12 42	12 48	24 18	24 24	24 30
3 feet	Wt/ lb.	18	21	25	29	31	35	35	42	50	57	61	70	54	64	74
5 feet		29	35	42	47	52	59	58	70	83	94	104	117	89	104	121
7 feet		41	49	59	67	75	83	82	98	118	134	150	166	125	146	175
10 feet		59	70	84	95	-	-	117	140	167	190	-	-	178	209	250

Nominal Length	W/ In H/ In	24 36	24 42	24 48	36 18	36 24	36 30	36 36	36 42	36 48	48 18	48 24	48 30	48 36	48 42	48 48
3 feet	Wt/ lb.	82	92	102	89	106	124	139	153	172	108	128	148	164	184	204
5 feet		136	152	157	147	174	204	230	256	274	178	208	242	272	304	314
7 feet		196	218	240	207	244	293	330	-	-	-	-	-	-	-	-
10 feet		280	-	-	295	349	417	470	-	-	-	-	-	-	-	-

Table III: Aerodynamic Performance

Model	L/ Ft	Static Pressure Drop, i.w.g.															
UGLFL	3	0.01	0.05	0.08	0.11	0.15	0.19	0.24	0.30	0.36	0.43	0.51	0.59	0.68	0.77	0.87	0.97
	5	0.01	0.05	0.08	0.12	0.16	0.20	0.26	0.32	0.39	0.46	0.54	0.63	0.72	0.82	0.92	1.04
	7	0.01	0.05	0.09	0.12	0.17	0.22	0.28	0.34	0.41	0.49	0.57	0.67	0.77	0.87	0.98	1.10
	10	0.02	0.06	0.10	0.14	0.19	0.24	0.31	0.38	0.46	0.55	0.64	0.74	0.86	0.97	1.10	1.23
Silencer Face Velocity, fpm	400	800	1000	1200	1400	1600	1800	2000	2200	2400	2600	2800	3000	3200	3400	3600	

Table IV: Self-Noise Power Levels, dB re: 10-12 Watts

IAC Model	Octave Band	1	2	3	4	5	6	7	8
	Hz	63	125	250	500	1K	2K	4K	8K
	Silencer Face Velocity, fpm								
UGLFL All Sizes	-3,000	55	54	56	57	56	59	61	56
	-2,000	46	45	48	49	50	54	49	42
	-1,000	31	30	34	35	40	45	28	20
	1,000	32	24	32	25	34	39	24	20
	2,000	47	42	46	44	46	51	46	38
	3,000	56	53	54	55	53	58	59	53

(+) Forward Flow / (-) Reverse Flow. Aero-acoustic performance data based on NVLAP accredited laboratory tests conducted in strict accordance with ASTM E477-99.

TAKE NOTE!

- Silencer Face Area is the cross-sectional area at the silencer entrance.
- Face Velocity is the CFM of airflow divided by the Face Area (in sq. ft.)
- Pressure Drop for any velocity can be calculated from this equation:
 $PD = (\text{Actual FV}/\text{Catalog FV})^2 \times (\text{Catalog PD})$
- Self Noise values shown are for a four-square-foot face area silencer.
- For each doubling of the face area add 3 dB to the self-noise values listed.
- For each halving of the face area subtract 3 dB from the self-noise values listed.
- Weights and measures are listed for limited number of available sizes.



QUIET-DUCT ULTRA™ /GREEN SILENCERS

TYPE: UGS

ENVIRONMENTALLY SOUND SILENCERS with FORWARD and REVERSE FLOW Ratings



In response to the current trend for environmentally friendly building products, IAC America introduces Quiet-Duct Ultra™ /Green, a 100% environmentally friendly attenuation solution which uses recycled acoustic fill material. Quiet-Duct Ultra™ /Green delivers performance that meets or exceeds that of a standard Quiet-Duct™ silencer in almost every situation. The tests were measured in strict accordance with ASTM E477-99 in IAC America's NVLAP Accredited Acoustical Laboratory.

DESIGNATING SILENCERS

Model: 5UGS-24-18

Length: 5' Type: UGS Width: 24" Height: 18"

Table I. Dynamic Insertion Loss (DIL) Ratings: Forward (+) / Reverse (-) Flow

IAC MODEL	Octave Band	1	2	3	4	5	6	7	8
	Hz	63	125	250	500	1K	2K	4K	8K
	Face Velocity, fpm								
3UGS	-1500	4	9	18	35	41	36	22	14
	-1000	3	9	17	35	40	36	23	15
	-750	3	8	16	34	41	36	24	16
	750	3	6	14	31	39	35	25	16
	1000	3	6	14	31	39	35	25	16
	1500	3	6	13	29	38	35	25	16
5UGS	-1500	8	15	28	46	47	42	35	21
	-1000	8	14	26	45	46	45	37	22
	-750	8	13	26	45	46	45	37	22
	750	6	10	23	44	46	45	38	23
	1000	6	10	22	43	46	45	38	24
	1500	5	9	21	42	46	45	39	24
7UGS	-1500	12	22	35	48	46	44	39	24
	-1000	11	20	33	47	47	46	44	25
	-750	10	19	33	47	47	46	44	26
	750	7	15	28	48	47	46	44	32
	1000	7	15	27	48	47	46	44	33
	1500	6	14	27	48	48	46	45	34
10UGS	-1500	14	27	43	45	47	46	41	31
	-1000	14	30	42	45	47	46	46	32
	-750	13	27	41	45	47	46	46	33
	750	10	21	40	47	48	46	47	42
	1000	10	21	39	46	48	46	47	43
	1500	9	19	39	47	48	47	46	44



(+) Forward Flow / (-) Reverse Flow. Aero-acoustic performance data based on NVLAP accredited laboratory tests conducted in strict accordance with ASTM E477-99. Contact IAC if attenuation in excess of 50 dB is required.

Table II: Weights and Measures

Nominal Length	W/ In H/ In	6 12	6 24	6 36	12 12	12 18	12 24	12 30	12 36	12 42	12 48
3 feet	Wt/ lb.	22	35	49	33	43	52	62	74	83	93
5 feet		40	63	87	56	73	89	107	125	141	158
7 feet		55	88	122	78	102	125	150	176	199	226
10 feet		77	123	171	111	155	177	212	250	-	-

Nominal Length	W, In H, In	24 18	24 24	24 30	24 36	24 42	24 48	36 30	36 36	36 42	36 48
3 feet	Wt/ lb.	71	86	102	117	132	147	142	162	182	204
5 feet		121	147	173	204	230	256	249	284	319	355
7 feet		170	207	243	288	325	362	-	-	-	-
10 feet		241	293	345	405	-	-	-	-	-	-

Table III: Aerodynamic Performance

Model	Static Pressure Drop, i.w.g.						
UGS	3 ft.	0.88	0.40	0.22	0.25	0.43	0.93
	5 ft.	1.10	0.49	0.25	0.25	0.47	1.08
	7 ft.	1.40	0.61	0.31	0.29	0.54	1.30
	10 ft.	1.98	0.80	0.42	0.40	0.71	1.65
Silencer Face Velocity, fpm		-1500	-1000	-750	750	1000	1500

Silencer Face Area is the cross-sectional area at the air entering face of the module or bank of modules. The Face Velocity is the CFM of airflow divided by the Face Area (in square feet). Pressure Drop for any face velocity can be calculated from the equation: $PD = (\text{Actual FV}/\text{Catalog FV})^2(\text{Catalog PD})$.

Table IV: Self-Noise Power Levels, dB re: 10-12 Watts

IAC Model	Octave Band Hz Silencer Face Velocity, fpm	1	2	3	4	5	6	7	8
		63	125	250	500	1K	2K	4K	8K
3UGS	-1500	42	49	53	56	57	66	65	46
	-1000	33	41	45	47	51	54	43	32
	-750	34	35	38	41	44	42	29	26
	750	36	36	37	40	45	42	31	25
	1000	38	42	43	45	48	50	42	31
	1500	47	53	52	54	55	57	55	46
5UGS	-1500	41	48	53	56	57	66	65	47
	-1000	35	42	45	47	49	54	41	31
	-750	35	36	38	40	43	39	28	26
	750	31	33	37	38	42	37	26	25
	1000	34	42	44	45	47	48	40	31
	1500	47	54	53	54	53	56	54	46
7UGS	-1500	43	49	54	56	57	63	62	49
	-1000	34	43	46	48	50	54	43	33
	-750	32	37	39	39	44	41	28	26
	750	37	38	38	37	42	39	28	25
	1000	38	45	46	45	46	48	40	30
	1500	50	56	56	57	54	56	56	48
10UGS	-1500	40	46	51	56	57	61	62	49
	-1000	35	40	45	48	49	54	43	34
	-750	35	36	39	41	43	42	30	26
	750	35	39	40	41	44	42	30	25
	1000	38	46	47	47	48	50	43	33
	1500	53	58	58	58	55	58	57	49

Self-Noise values shown are for a four-square-foot area silencer. For each doubling of the face area add three dB; for each halving of the face area, subtract three dB from the values in Table IV.



QUIET-DUCT ULTRA™ /GREEN SILENCERS

TYPE: UGMS

ENVIRONMENTALLY SOUND SILENCERS with FORWARD and REVERSE FLOW Ratings



In response to the current trend for environmentally friendly building products, IAC America introduces Quiet-Duct Ultra™ /Green, a 100% environmentally friendly attenuation solution which uses recycled acoustic fill material. Quiet-Duct Ultra™ /Green delivers performance that meets or exceeds that of a standard Quiet-Duct™ silencer in almost every situation. The tests were measured in strict accordance with ASTM E477-99 in IAC America's NVLAP Accredited Acoustical Laboratory.

DESIGNATING SILENCERS

Model: 5UGMS-24-18

Length: 5' Type: UGMS Width: 24" Height: 18"

Table I. Dynamic Insertion Loss (DIL) Ratings: Forward (+) / Reverse (-) Flow

IAC MODEL	Octave Band	1	2	3	4	5	6	7	8
	Hz	63	125	250	500	1K	2K	4K	8K
	Face Velocity, fpm								
3UGMS	-3,000	4	6	13	25	27	19	12	9
	-2,000	4	6	13	25	26	17	11	8
	-1,000	5	5	12	24	25	18	11	9
	1,000	4	5	11	23	24	19	14	10
	2,000	4	4	11	21	24	20	15	11
	3,000	3	4	10	20	23	21	15	11
5UGMS	-3,000	4	11	21	41	42	30	16	11
	-2,000	3	10	20	40	45	29	16	11
	-1,000	2	9	19	39	43	28	16	9
	1,000	2	7	16	37	42	31	20	13
	2,000	2	7	15	35	42	31	20	14
	3,000	2	7	15	34	42	33	20	14
7UGMS	-3,000	4	18	28	43	41	41	21	13
	-2,000	4	14	26	47	48	40	21	12
	-1,000	3	13	24	47	51	40	20	11
	1,000	2	11	21	45	50	43	25	16
	2,000	3	10	20	44	50	42	26	16
	3,000	2	9	20	44	50	45	28	18
10UGMS	-3,000	6	18	33	42	41	44	28	16
	-2,000	6	19	35	47	49	47	28	15
	-1,000	5	16	32	47	51	50	28	14
	1,000	4	14	29	47	51	51	32	19
	2,000	4	12	26	47	51	50	34	21
	3,000	4	12	25	46	46	46	37	23



(+) Forward Flow / (-) Reverse Flow. Aero-acoustic performance data based on NVLAP accredited laboratory tests conducted in strict accordance with ASTM E477-99. Contact IAC if attenuation in excess of 50 dB is required.

Table II: Weights and Measures

Nominal Length	W/In H/In	7.5 18	7.5 24	7.5 30	7.5 36	7.5 42	7.5 48	15 18	15 24	15 30	15 36	15 42	15 48	30 18	30 24	30 30
3 feet	Wt/Lb.	26	40	45	51	66	80	47	57	67	80	89	100	80	95	110
5 feet		46	67	80	91	112	134	80	96	114	134	150	167	135	161	187
7 feet		65	95	100	129	158	190	112	135	159	193	216	240	188	224	261
10 feet		90	135	157	180	223	270	159	192	226	273	-	-	220	319	371

Nominal Length	W/In H/In	30 36	30 42	30 48	45 18	45 24	45 30	45 36	45 42	45 48	60 18	60 24	60 30	60 36	60 42	60 48
3 feet	Wt/Lb.	130	145	160	127	152	156	177	197	218	160	190	220	260	290	320
5 feet		22	248	274	215	257	275	310	345	381	270	322	374	44	496	548
7 feet		310	347	384	300	359	-	-	-	-	376	448	522	620	694	768
10 feet		440	-	-	-	-	-	-	-	-	440	638	742	880	-	-

Table III: Aerodynamic Performance

Model	L/Ft.	Static Pressure Drop, i.w.g.															
UGMS	3	0.06	0.08	0.10	0.12	0.14	0.17	0.20	0.23	0.26	0.29	0.33	0.36	0.40	0.44	0.49	0.53
	5	0.08	0.10	0.12	0.15	0.17	0.20	0.24	0.27	0.31	0.35	0.39	0.44	0.48	0.53	0.58	0.64
	7	0.10	0.12	0.15	0.18	0.22	0.26	0.30	0.34	0.39	0.44	0.49	0.54	0.60	0.67	0.73	0.80
	10	0.12	0.15	0.19	0.23	0.27	0.31	0.36	0.42	0.48	0.54	0.60	0.67	0.74	0.82	0.90	0.98
Silencer Face Velocity, fpm		800	900	1000	1100	1200	1300	1400	1500	1600	1700	1800	1900	2000	2100	2200	2300

Silencer Face Area is the cross-sectional area at the air entering face of the module or bank of modules. The Face Velocity is the CFM of airflow divided by the Face Area (in square feet). Pressure Drop for any face velocity can be calculated from the equation:

$$PD = (\text{Actual FV}/\text{Catalog FV})^2 (\text{Catalog PD}).$$

Table IV: Self-Noise Power Levels, dB re: 10-12 Watts

IAC MODEL	Octave Band Hz	1	2	3	4	5	6	7	8
		63	125	250	500	1K	2K	4K	8K
	Silencer Face Velocity, fpm								
3UGMS	-3,000	46	58	60	64	63	63	65	57
	-2,000	35	50	53	56	58	61	56	43
	-1,000	36	38	39	44	43	37	25	26
	1,000	40	33	30	34	35	32	22	25
	2,000	40	45	45	47	48	52	49	40
	3,000	49	58	56	57	57	59	60	54
5UGMS	-3,000	45	56	59	63	63	64	66	58
	-2,000	37	48	53	56	57	61	57	43
	-1,000	33	37	40	42	43	39	26	26
	1,000	34	32	30	32	35	29	22	25
	2,000	36	44	46	46	47	52	48	38
	3,000	50	57	56	57	55	59	61	54
7UGMS	-3,000	45	60	63	67	66	65	68	60
	-2,000	37	53	56	59	58	62	59	46
	-1,000	34	39	41	42	43	39	27	26
	1,000	36	32	30	32	36	32	23	26
	2,000	39	47	47	47	47	53	49	40
	3,000	52	59	57	58	56	58	61	54
10UGMS	-3,000	46	59	64	66	65	63	67	58
	-2,000	38	53	56	58	56	60	57	43
	-1,000	35	42	43	43	43	39	27	26
	1,000	34	33	36	37	37	31	23	26
	2,000	38	49	51	53	52	54	50	41
	3,000	53	61	61	62	61	61	62	55

Self-Noise values shown are for a four-square-foot area silencer. For each doubling of the face area add 3dB; for each halving of the face area, subtract 3dB from the values in Table IV.



QUIET-DUCT ULTRA™ /GREEN SILENCERS

TYPE: UGML

ENVIRONMENTALLY SOUND SILENCERS with FORWARD and REVERSE FLOW Ratings



In response to the current trend for environmentally friendly building products, IAC America introduces Quiet-Duct Ultra™ /Green, a 100% environmentally friendly attenuation solution which uses recycled acoustic fill material. Quiet-Duct Ultra™ /Green delivers performance that meets or exceeds that of a standard Quiet-Duct™ silencer in almost every situation. The tests were measured in strict accordance with ASTM E477-99 in IAC America's NVLAP Accredited Acoustical Laboratory.

DESIGNATING SILENCERS

Model: 5UGML-24-18

Length: 5' Type: UGML Width: 24" Height: 18"

Table I. Dynamic Insertion Loss (DIL) Ratings: Forward (+) / Reverse (-) Flow

IAC MODEL	Octave Band	1	2	3	4	5	6	7	8
	Hz	63	125	250	500	1K	2K	4K	8K
	Face Velocity, fpm								
3UGML	-3,000	3	4	11	21	17	10	7	5
	-2,000	2	4	10	21	17	11	7	5
	-1,000	4	3	10	21	17	11	8	6
	1,000	4	3	8	19	16	11	8	6
	2,000	3	3	8	18	16	11	8	7
	3,000	2	3	7	17	16	12	9	8
5UGML	-3,000	6	8	17	35	30	16	7	4
	-2,000	6	7	16	34	29	16	8	4
	-1,000	5	7	16	34	29	17	9	5
	1,000	4	6	14	32	28	18	10	9
	2,000	4	6	13	31	29	18	11	9
	3,000	4	5	13	29	29	19	12	10
7UGML	-3,000	6	10	21	44	41	24	14	10
	-2,000	6	9	20	43	40	23	14	10
	-1,000	6	9	20	42	40	23	13	10
	1,000	5	7	18	40	39	24	13	10
	2,000	5	7	17	38	39	24	13	11
	3,000	5	7	16	37	39	24	14	12
10UGML	-3,000	7	14	28	44	44	33	17	11
	-2,000	7	14	27	48	50	30	17	12
	-1,000	7	12	25	47	51	30	14	11
	1,000	6	10	23	48	51	30	15	11
	2,000	6	10	22	48	51	31	16	12
	3,000	6	9	22	48	53	32	17	14



(+) Forward Flow / (-) Reverse Flow. Aero-acoustic performance data based on NVLAP accredited laboratory tests conducted in strict accordance with ASTM E477-99. Contact IAC if attenuation in excess of 50 dB is required.

Table II: Weights and Measures

Nominal Length	W/In H/In	9 18	9 24	9 30	9 36	9 42	9 48	18 18	18 24	18 30	18 36	18 42	18 48	36 18	36 24	36 30
3 feet	Wt/Lb.	35	41	52	57	65	73	52	61	71	84	94	104	69	103	120
5 feet		60	71	82	95	107	119	87	103	121	142	158	175	120	175	201
7 feet		84	100	116	133	150	167	122	144	168	200	223	247	169	246	283
10 feet		118	141	167	190	240	215	174	203	239	284	-	-	238	349	403

Nominal Length	W/In H/In	36 36	36 42	36 48	54 18	54 24	54 30	54 36	54 42	54 48	72 18	72 24	72 30	72 36	72 42	72 48
3 feet	Wt/Lb.	138	153	168	121	164	191	222	247	272	138	206	240	276	306	336
5 feet		239	265	291	207	278	322	381	423	466	239	350	402	478	530	582
7 feet		337	374	411	291	390	451	537	597	658	337	492	566	674	748	822
10 feet		475	-	-	412	554	642	759	-	-	475	698	806	950	-	-

Table III: Aerodynamic Performance

Model	L/Ft	Static Pressure Drop, i.w.g.															
UGML	3	0.05	0.07	0.10	0.13	0.16	0.20	0.24	0.28	0.33	0.38	0.44	0.50	0.57	0.64	0.71	0.78
	5	0.06	0.08	0.12	0.15	0.19	0.24	0.28	0.34	0.40	0.46	0.53	0.60	0.68	0.76	0.85	0.94
	7	0.07	0.11	0.14	0.19	0.24	0.29	0.36	0.42	0.50	0.58	0.66	0.75	0.85	0.95	1.06	1.18
	10	0.09	0.13	0.18	0.23	0.29	0.36	0.44	0.52	0.61	0.71	0.82	0.93	1.05	1.18	1.31	1.45
Silencer Face Velocity, fpm		1000	1200	1400	1600	1800	2000	2200	2400	2600	2800	3000	3200	3400	3600	3800	4000

Silencer Face Area is the cross-sectional area at the air entering face of the module or bank of modules. The Face Velocity is the CFM of airflow divided by the Face Area (in square feet). Pressure Drop for any face velocity can be calculated from the equation:

$$PD = (\text{Actual FV}/\text{Catalog FV})^2 (\text{Catalog PD}).$$

Table IV: Self-Noise Power Levels,

dB re: 10-12 Watts

IAC MODEL	Octave Band Hz	1	2	3	4	5	6	7	8
		63	125	250	500	1K	2K	4K	8K
	Silencer Face Velocity, fpm								
3UGML	-3,000	42	53	56	60	61	62	61	51
	-2,000	33	47	51	55	56	57	50	36
	-1,000	31	35	38	43	40	31	22	24
	1,000	35	30	30	33	33	26	21	25
	2,000	36	41	43	45	48	50	45	35
	3,000	44	52	51	53	53	58	58	51
5UGML	-3,000	41	59	62	66	61	62	64	51
	-2,000	37	50	53	55	55	58	48	36
	-1,000	34	37	37	40	39	30	22	25
	1,000	33	32	32	35	35	26	22	24
	2,000	34	44	46	48	49	51	45	36
	3,000	44	53	55	57	56	60	59	52
7UGML	-3,000	42	54	58	62	61	62	62	52
	-2,000	38	48	52	55	55	57	50	38
	-1,000	35	36	40	43	41	33	22	25
	1,000	34	28	27	28	31	23	24	27
	2,000	35	41	41	42	45	49	43	32
	3,000	45	52	51	52	51	57	57	49
10UGML	-3,000	42	57	61	65	63	62	64	54
	-2,000	36	50	53	56	55	58	50	39
	-1,000	35	38	38	40	39	30	22	24
	1,000	33	30	27	28	30	21	21	24
	2,000	35	40	40	42	45	50	43	33
	3,000	47	53	51	52	51	57	58	51

Self-Noise values shown are for a four-square-foot area silencer. For each doubling of the face area add 3dB; for each halving of the face area, subtract 3dB from the values in Table IV.



QUIET-DUCT ULTRA™ /GREEN SILENCERS

TYPE: UGL

ENVIRONMENTALLY SOUND SILENCERS with FORWARD and REVERSE FLOW Ratings



In response to the current trend for environmentally friendly building products, IAC America introduces Quiet-Duct Ultra™ /Green, a 100% environmentally friendly attenuation solution which uses recycled acoustic fill material. Quiet-Duct Ultra™ /Green delivers performance that meets or exceeds that of a standard Quiet-Duct™ silencer in almost every situation. The tests were measured in strict accordance with ASTM E477-99 in IAC America's NVLAP Accredited Acoustical Laboratory.

DESIGNATING SILENCERS

Model: 5UGL-24-18

Length: 5' Type: UGL Width: 24" Height: 18"

Table I. Dynamic Insertion Loss (DIL) Ratings: Forward (+) / Reverse (-) Flow

IAC MODEL	Octave Band	1	2	3	4	5	6	7	8
	Hz	63	125	250	500	1K	2K	4K	8K
	Face Velocity, fpm								
3UGL	-3000	1	5	9	16	21	18	10	7
	-2000	1	5	9	15	20	18	10	7
	-1000	1	4	8	15	19	18	10	7
	1000	1	4	7	14	18	19	11	8
	2000	1	4	7	13	18	19	11	8
	3000	1	4	7	13	17	19	12	8
5UGL	-3000	3	9	15	26	35	31	14	8
	-2000	4	8	14	25	33	31	14	9
	-1000	3	7	13	24	33	31	14	9
	1000	3	6	12	23	30	31	15	12
	2000	2	6	11	22	29	31	16	11
	3000	3	5	11	21	28	31	17	11
7UGL	-3000	3	13	19	35	40	38	17	10
	-2000	4	10	18	34	41	39	16	10
	-1000	4	9	17	32	40	38	16	10
	1000	3	8	14	30	38	39	18	12
	2000	3	8	14	29	37	39	19	12
	3000	2	7	14	28	35	39	20	12
10UGL	-3000	5	18	28	47	44	42	21	11
	-2000	7	14	25	45	47	46	21	11
	-1000	7	12	23	43	47	46	21	12
	1000	7	10	21	41	48	47	23	16
	2000	6	10	20	40	47	47	25	17
	3000	5	10	19	39	47	47	27	18



(+) Forward Flow / (-) Reverse Flow. Aero-acoustic performance data based on NVLAP accredited laboratory tests conducted in strict accordance with ASTM E477-99. Contact IAC if attenuation in excess of 50 dB is required.

Table II: Weights and Measures

Nominal Length	W/In H/In	6 12	12 12	12 18	12 24	12 30	12 36	12 42	12 48
3 feet	Wt/Lb.	24	33	43	52	62	74	83	93
5 feet		41	56	73	89	107	125	141	158
7 feet		59	78	102	125	150	176	199	266
10 feet		81	111	155	177	212	250	-	-

Nominal Length	W/In H/In	24 18	24 24	24 30	24 36	24 42	24 48	36 24	36 30	36 36	36 42	36 48	48 30	48 36	48 42	48 48
3 feet	Wt/Lb.	71	86	102	117	132	147	121	143	163	184	205	182	209	235	261
5 feet		121	147	173	204	230	256	211	245	279	312	346	312	353	395	438
7 feet		170	207	243	288	325	362	286	351	398	445	492	-	-	-	-
10 feet		241	293	345	405	-	-	-	-	-	-	-	-	-	-	-

Table III: Aerodynamic Performance

Model	L/Ft	Static Pressure Drop, i.w.g.					
UGL	3	0.48	0.21	0.05	0.06	0.25	0.61
	5	0.60	0.26	0.06	0.07	0.27	0.64
	7	0.75	0.30	0.07	0.08	0.30	0.72
	10	0.99	0.41	0.10	0.09	0.35	0.83
Silencer Face Velocity, fpm		-3000	-2000	-1000	1000	2000	3000

Silencer Face Area is the cross-sectional area at the air entering face of the module or bank of modules. The Face Velocity is the CFM of airflow divided by the Face Area (in square feet). Pressure Drop for any face velocity can be calculated from the equation: $PD = (Actual\ FV/Catalog\ FV)^2 (Catalog\ PD)$.

Table IV: Self-Noise Power Levels, dB re: 10-12 Watts

IAC MODEL	Octave Band Hz	1	2	3	4	5	6	7	8
		63	125	250	500	1K	2K	4K	8K
	Silencer Face Velocity, fpm								
3UGL	-3,000	50	55	58	61	64	69	66	52
	-2,000	37	49	53	56	61	61	48	34
	-1,000	38	34	38	41	41	31	23	26
	1,000	33	30	33	36	36	28	23	26
	2,000	41	45	47	49	52	52	45	32
	3,000	62	64	58	59	60	61	59	50
5UGL	-3,000	48	53	55	58	62	65	64	52
	-2,000	36	46	51	53	59	60	50	35
	-1,000	34	35	37	40	42	31	23	26
	1,000	34	30	29	32	33	24	24	25
	2,000	35	43	43	43	49	50	42	30
	3,000	48	54	54	54	56	59	57	49
7UGL	-3,000	48	54	56	59	63	69	66	52
	-2,000	42	46	52	53	60	60	48	35
	-1,000	33	31	34	38	41	30	23	26
	1,000	32	31	30	33	34	23	22	26
	2,000	36	45	45	45	50	52	43	31
	3,000	54	56	56	56	57	61	59	50
10UGL	-3,000	51	54	55	57	61	66	64	52
	-2,000	37	47	51	52	58	59	48	37
	-1,000	34	32	35	39	40	29	23	26
	1,000	32	28	26	31	32	22	23	26
	2,000	35	44	44	43	49	50	41	30
	3,000	52	56	56	55	55	60	57	49

Self-Noise values shown are for a four-square-foot area silencer. For each doubling of the face area add 3dB; for each halving of the face area, subtract 3dB from the values in Table IV.



QUIET-DUCT ULTRA™ /ZAPD SILENCERS

1.01 GENERAL

- A. Furnish and install "Quiet-Duct Ultra™ /ZAPD" (rectangular) silencers of the types and sizes shown on the plans and/or listed in the schedule. Silencers shall be the product of Industrial Acoustics Company. Any specification change must be submitted in writing and approved by the Architect/Engineer, in writing, at least 10 days prior to the bid due-date.

2.01 MATERIALS

- A. Outer casings of rectangular silencers shall be made of 22 gauge type #G-90 lock-former-quality galvanized steel.
- B. Interior partitions for rectangular silencers shall be not less than 26 gauge type #G-90 galvanized lock-former-quality perforated steel.
- C. Filler material shall be inorganic glass fiber of a proper density to obtain the specified acoustic performance and be packed under not less than 5% compression to eliminate voids due to vibration and settling. Material shall be inert, vermin- and moisture-proof.
- D. Combustion ratings for the silencer acoustic fill shall be not greater than the following when tested to ASTM E 84, NFPA Standard 255, or UL No. 723:
 - Flamespread Classification 20
 - Smoke Development Rating 20

3.01 CONSTRUCTION

- A. Units shall be constructed in accordance with the ASHRAE Guide recommendations for high pressure duct work. Seams shall be lock formed and mastic filled. Rectangular casing seams shall be in the corners of the silencer shell to provide maximum unit strength and rigidity. Interior partitions shall be fabricated from single-piece, margin-perforated sheets and shall have die-formed entrance and exit shapes so as to provide the maximum aerodynamic efficiency and minimum self-noise characteristics in the sound attenuator. Blunt noses or squared off partitions will not be accepted.
- B. Sound attenuating units shall not fail structurally when subjected to a differential air pressure of 8 inches water gauge from inside to outside the casing. Airtight construction shall be provided by use of a duct sealing compound on the job-site material and labor furnished by the contractor.

4.01 ACOUSTIC PERFORMANCE

- A. All silencer ratings shall be determined in a duct-to-reverberant room test facility which provides for airflow in both directions through the test silencer in accordance with ASTM Specification E477-99. The test facility shall be NVLAP accredited for the ASTM E477-99 test standard. Data from a non-accredited laboratory will not be acceptable. The test set-up and procedure shall be such that all effects due to end reflection, directivity, flanking transmission, standing waves and test chamber sound absorption are eliminated. Acoustic ratings shall include Dynamic Insertion Loss (DIL) and Self-Noise (SN) Power Levels both for FORWARD FLOW (air and noise in same direction) and REVERSE FLOW (air and noise in opposite directions) with airflow of at least 2000 fpm entering face velocity. Data for rectangular and tubular type silencers shall be presented for tests conducted using silencers no smaller than the following cross-sections:
 Rectangular, inch: 24x24, 24x30, or 24x36.

5.01 AERODYNAMIC PERFORMANCE

- A. IAC Quiet-Duct Ultra™ /ZAPD silencers do not introduce any additional pressure drop into the system.

6.01 CERTIFICATION

- A. With submittals, the manufacturer shall supply certified test data on Dynamic Insertion Loss, Self-Noise Power Levels, and Aerodynamic Performance for Reverse and Forward Flow test conditions. Test data shall be for a standard product. All rating tests shall be conducted in the same facility, shall utilize the same silencer, and shall be open to inspection upon request from the Architect/Engineer.

7.01 DUCT TRANSITIONS

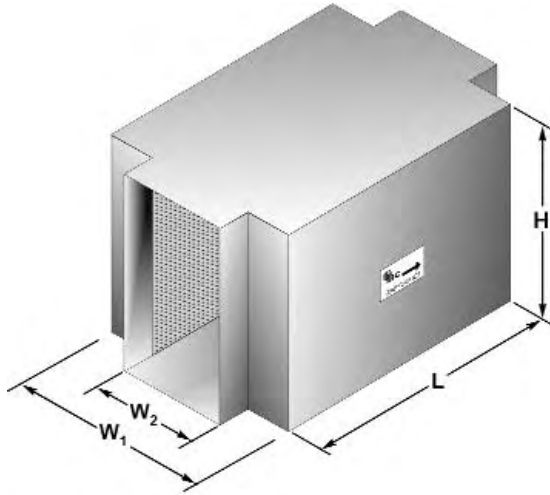
- A. When transitions are required to adapt silencer dimensions to connecting duct work they shall be furnished by the installing contractor.



QUIET-DUCT ULTRA™/ZAPD SILENCERS

TYPE: Z6A

with FORWARD and REVERSE FLOW Ratings



The IAC Quiet-Duct Ultra™/ZAPD line of silencers, introduced in 2006, was designed for applications in which acoustic attenuation is required and no allowance can be made for pressure loss. A Zero-Added-Pressure-Drop silencer (ZAPD) is ideal for high velocity systems, or systems that have little or no room for additional pressure drop.

The IAC Quiet-Duct Ultra™/ZAPD silencers do not create any additional pressure drop in the system.

IAC Quiet-Duct Ultra™/ZAPD silencers have negligible Self Noise Sound Power levels.

DESIGNATING A SILENCER

Model: 5 Z6A 6 x 12

Length: 5' Type: Z6A W₂: 6" Height: 12"

All Z6A Silencers have W₁ = 12"

Table I. Dynamic Insertion Loss (DIL) Ratings: Forward (+) / Reverse (-) Flow

Silencer Length, ft	Octave Band	1	2	3	4	5	6	7	8
	Hz	63	125	250	500	1K	2K	4K	8K
	Face Velocity, fpm								
3	-2,000	1	3	7	14	9	10	4	4
	-1,000	1	3	7	14	9	11	5	4
	0	1	3	7	14	8	12	6	4
	1,000	1	3	7	14	7	13	7	4
	2,000	1	3	6	14	8	13	7	4
5	-2,000	1	5	13	26	22	20	10	7
	-1,000	1	5	12	26	23	19	12	8
	0	1	5	12	26	23	21	12	7
	1,000	1	5	12	26	23	22	12	6
	2,000	2	5	12	26	23	22	12	7
7	-2,000	2	7	17	36	29	27	13	10
	-1,000	2	7	17	36	30	28	15	11
	0	2	7	17	36	29	29	16	10
	1,000	2	7	16	36	29	31	17	9
	2,000	2	7	16	36	30	31	17	9
10	-2,000	4	10	24	50	37	37	17	13
	-1,000	4	10	24	50	38	38	20	16
	0	4	10	23	49	36	41	22	14
	1,000	4	10	23	49	35	43	24	12
	2,000	4	10	22	49	36	43	24	13



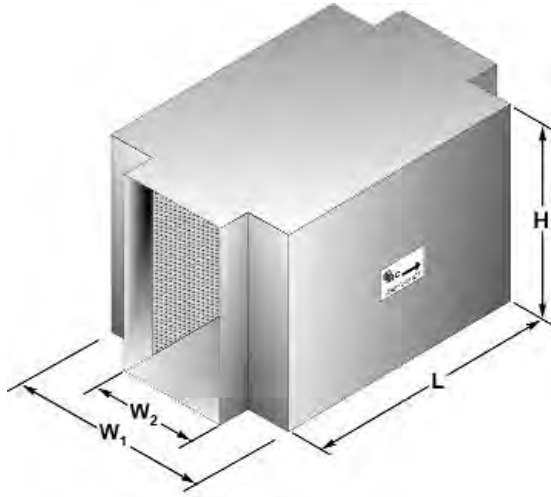
(+) Forward Flow / (-) Reverse Flow. Aero-acoustic performance data based on NVLAP accredited laboratory tests conducted in strict accordance with ASTM E477-99. Contact IAC if attenuation in excess of 50 dB is required.



QUIET-DUCT ULTRA™/ZAPD SILENCERS

TYPE: Z6B

with FORWARD and REVERSE FLOW Ratings



The IAC Quiet-Duct Ultra™/ZAPD line of silencers, introduced in 2006, was designed for applications in which acoustic attenuation is required and no allowance can be made for pressure loss. A Zero-Added-Pressure-Drop silencer (ZAPD) is ideal for high velocity systems, or systems that have little or no room for additional pressure drop.

The IAC Quiet-Duct Ultra™/ZAPD silencers do not create any additional pressure drop in the system.

IAC Quiet-Duct Ultra™/ZAPD silencers have negligible Self Noise Sound Power levels.

DESIGNATING A SILENCER

Model: 5 Z6B 6 x 12

Length: 5' Type: Z6B W₂: 6" Height: 12"

All Z6B Silencers have W₁ = 15"

Table I. Dynamic Insertion Loss (DIL) Ratings: Forward (+) / Reverse (-) Flow

Silencer Length, ft	Octave Band	1	2	3	4	5	6	7	8
	Hz	63	125	250	500	1K	2K	4K	8K
	Face Velocity, fpm								
3	-2,000	2	5	9	12	9	11	5	4
	-1,000	2	5	9	13	9	11	5	4
	0	2	5	9	13	8	12	6	4
	1,000	2	5	9	13	7	13	7	3
	2,000	2	4	9	13	8	13	7	4
5	-2,000	4	9	18	25	22	20	11	8
	-1,000	4	9	18	25	23	19	12	9
	0	3	8	17	25	23	21	12	8
	1,000	3	8	17	25	23	22	12	6
	2,000	3	8	17	25	23	22	12	7
7	-2,000	5	13	25	35	29	27	14	10
	-1,000	5	12	25	35	30	28	16	12
	0	5	12	24	35	29	29	16	10
	1,000	5	11	24	35	29	31	17	9
	2,000	4	11	24	35	29	31	17	9
10	-2,000	8	18	33	46	37	38	18	14
	-1,000	7	17	33	46	38	39	21	16
	0	7	16	33	47	36	41	22	14
	1,000	7	16	33	47	35	43	23	12
	2,000	6	15	33	47	35	43	24	13



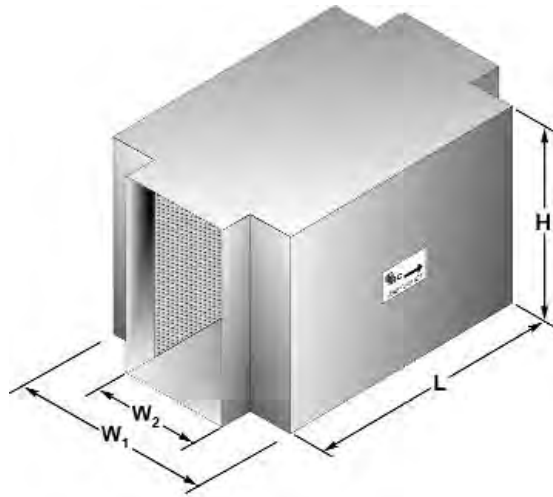
(+) Forward Flow / (-) Reverse Flow. Aero-acoustic performance data based on NVLAP accredited laboratory tests conducted in strict accordance with ASTM E477-99. Contact IAC if attenuation in excess of 50 dB is required.



QUIET-DUCT ULTRA™/ZAPD SILENCERS

TYPE: Z6C

with FORWARD and REVERSE FLOW Ratings



The IAC Quiet-Duct Ultra™/ZAPD line of silencers, introduced in 2006, was designed for applications in which acoustic attenuation is required and no allowance can be made for pressure loss. A Zero-Added-Pressure-Drop silencer (ZAPD) is ideal for high velocity systems, or systems that have little or no room for additional pressure drop.

The IAC Quiet-Duct Ultra™/ZAPD silencers do not create any additional pressure drop in the system.

IAC Quiet-Duct Ultra™/ZAPD silencers have negligible Self Noise Sound Power levels.

DESIGNATING A SILENCER

Model: 5 Z6C 6 x 12

Length: 5' Type: Z6C W₂: 6" Height: 12"

All Z6C Silencers have W₁ = 20"

Table I. Dynamic Insertion Loss (DIL) Ratings: Forward (+) / Reverse (-) Flow

Silencer Length, ft	Octave Band	1	2	3	4	5	6	7	8
	Hz	63	125	250	500	1K	2K	4K	8K
	Face Velocity, fpm								
3	-2,000	4	7	10	10	9	11	5	4
	-1,000	4	7	11	10	9	12	5	4
	0	3	7	11	11	8	12	6	4
	1,000	3	7	11	11	7	13	7	3
	2,000	3	7	11	11	7	13	7	4
5	-2,000	6	13	21	23	23	19	11	8
	-1,000	6	13	21	24	23	20	12	9
	0	6	12	21	24	23	21	12	8
	1,000	5	12	21	24	23	22	12	6
	2,000	5	12	20	24	23	22	12	7
7	-2,000	9	19	30	32	29	27	15	11
	-1,000	8	18	30	32	30	28	16	12
	0	8	18	30	33	30	30	16	10
	1,000	8	17	29	33	29	31	17	9
	2,000	7	16	29	33	29	31	17	9
10	-2,000	13	26	38	41	37	38	20	15
	-1,000	12	25	38	41	38	39	21	16
	0	11	24	38	41	37	41	22	14
	1,000	11	24	38	42	35	43	23	12
	2,000	10	23	38	42	35	44	24	13



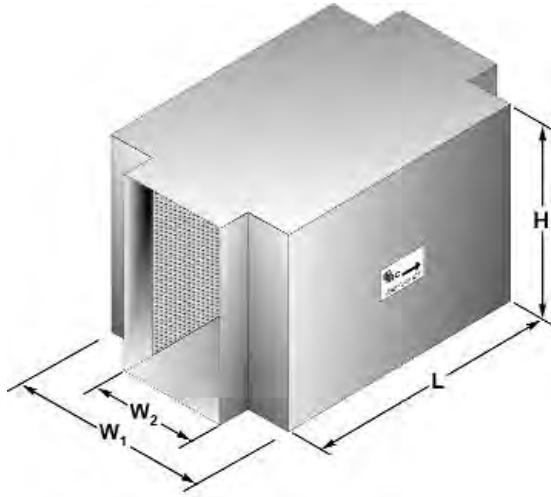
(+) Forward Flow / (-) Reverse Flow. Aero-acoustic performance data based on NVLAP accredited laboratory tests conducted in strict accordance with ASTM E477-99. Contact IAC if attenuation in excess of 50 dB is required.



QUIET-DUCT ULTRA™/ZAPD SILENCERS

TYPE: Z6D

with FORWARD and REVERSE FLOW Ratings



The IAC Quiet-Duct Ultra™/ZAPD line of silencers, introduced in 2006, was designed for applications in which acoustic attenuation is required and no allowance can be made for pressure loss. A Zero-Added-Pressure-Drop silencer (ZAPD) is ideal for high velocity systems, or systems that have little or no room for additional pressure drop.

The IAC Quiet-Duct Ultra™/ZAPD silencers do not create any additional pressure drop in the system.

IAC Quiet-Duct Ultra™/ZAPD silencers have negligible Self Noise Sound Power levels.

DESIGNATING A SILENCER

Model: 5 Z6D 6 x 12

Length: 5' Type: Z6D W₂: 6" Height: 12"

All Z6D Silencers have W₁ = 24"

Table I. Dynamic Insertion Loss (DIL) Ratings: Forward (+) / Reverse (-) Flow

Silencer Length, ft	Octave Band	1	2	3	4	5	6	7	8
	Hz	63	125	250	500	1K	2K	4K	8K
	Face Velocity, fpm								
3	-2,000	4	9	11	9	9	11	5	4
	-1,000	4	8	11	9	9	12	6	5
	0	4	8	11	10	8	12	6	4
	1,000	4	8	11	10	7	13	7	3
	2,000	4	8	11	10	7	13	7	4
5	-2,000	8	15	23	24	22	19	12	8
	-1,000	7	15	22	24	23	20	12	9
	0	7	14	22	24	23	21	12	7
	1,000	7	14	22	24	23	22	11	6
	2,000	6	14	22	24	23	22	12	6
7	-2,000	11	21	31	31	30	28	15	11
	-1,000	10	21	31	31	31	28	16	12
	0	10	20	30	31	30	30	16	10
	1,000	9	20	30	31	29	31	17	8
	2,000	9	19	30	31	29	31	17	9
10	-2,000	15	30	40	39	38	38	20	16
	-1,000	14	29	40	40	39	39	21	16
	0	14	28	40	40	37	41	22	14
	1,000	13	27	40	40	35	43	23	12
	2,000	12	27	40	41	35	43	24	12



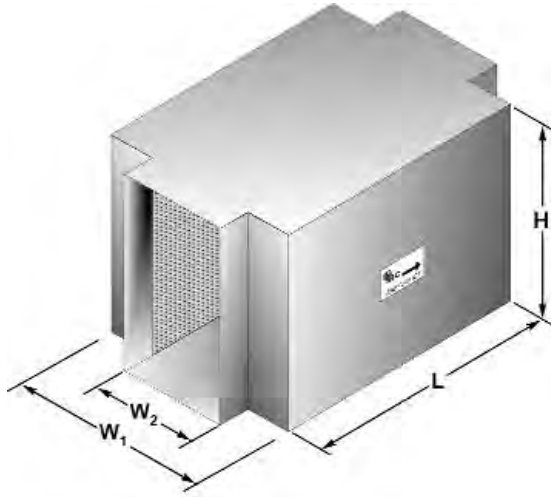
(+) Forward Flow / (-) Reverse Flow. Aero-acoustic performance data based on NVLAP accredited laboratory tests conducted in strict accordance with ASTM E477-99. Contact IAC if attenuation in excess of 50 dB is required.



QUIET-DUCT ULTRA™/ZAPD SILENCERS

TYPE: Z6E

with FORWARD and REVERSE FLOW Ratings



The IAC Quiet-Duct Ultra™/ZAPD line of silencers, introduced in 2006, was designed for applications in which acoustic attenuation is required and no allowance can be made for pressure loss. A Zero-Added-Pressure-Drop silencer (ZAPD) is ideal for high velocity systems, or systems that have little or no room for additional pressure drop.

The IAC Quiet-Duct Ultra™/ZAPD silencers do not create any additional pressure drop in the system.

IAC Quiet-Duct Ultra™/ZAPD silencers have negligible Self Noise Sound Power levels.

DESIGNATING A SILENCER

Model: 5 Z6E 6 x 12

Length: 5' Type: Z6E W₂: 6" Height: 12"

All Z6E Silencers have W₁ = 30"

Table I. Dynamic Insertion Loss (DIL) Ratings: Forward (+) / Reverse (-) Flow

Silencer Length, ft	Octave Band	1	2	3	4	5	6	7	8
	Hz	63	125	250	500	1K	2K	4K	8K
	Face Velocity, fpm								
3	-2,000	5	10	11	10	9	11	5	4
	-1,000	5	10	11	10	9	12	6	5
	0	5	9	11	10	8	12	6	4
	1,000	5	9	11	10	7	13	7	3
	2,000	4	9	11	10	7	13	7	3
5	-2,000	9	17	23	23	23	19	12	9
	-1,000	9	16	23	23	23	20	12	9
	0	8	16	23	23	23	21	12	7
	1,000	8	16	23	23	23	21	11	6
	2,000	8	15	23	23	23	22	12	6
7	-2,000	12	23	31	32	30	28	16	12
	-1,000	12	23	31	32	31	29	16	12
	0	12	22	31	32	30	30	16	10
	1,000	11	22	31	32	29	31	17	8
	2,000	11	21	31	32	29	31	17	9
10	-2,000	17	33	41	40	38	39	21	16
	-1,000	17	32	41	40	39	40	21	17
	0	16	32	41	40	37	41	22	14
	1,000	16	31	41	40	35	43	23	11
	2,000	15	30	41	40	35	43	23	12



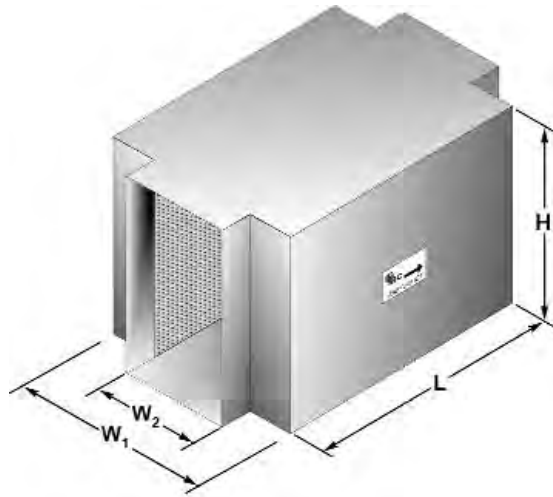
(+) Forward Flow / (-) Reverse Flow. Aero-acoustic performance data based on NVLAP accredited laboratory tests conducted in strict accordance with ASTM E477-99. Contact IAC if attenuation in excess of 50 dB is required.



QUIET-DUCT ULTRA™/ZAPD SILENCERS

TYPE: Z9A

with FORWARD and REVERSE FLOW Ratings



The IAC Quiet-Duct Ultra™/ZAPD line of silencers, introduced in 2006, was designed for applications in which acoustic attenuation is required and no allowance can be made for pressure loss. A Zero-Added-Pressure-Drop silencer (ZAPD) is ideal for high velocity systems, or systems that have little or no room for additional pressure drop.

The IAC Quiet-Duct Ultra™/ZAPD silencers do not create any additional pressure drop in the system.

IAC Quiet-Duct Ultra™/ZAPD silencers have negligible Self Noise Sound Power levels.

DESIGNATING A SILENCER

Model: 5 Z9A 6 x 12

Length: 5' Type: Z9A W₂: 9" Height: 12"

All Z9A Silencers have W₁ = 18"

Table I. Dynamic Insertion Loss (DIL) Ratings: Forward (+) / Reverse (-) Flow

Silencer Length, ft	Octave Band	1	2	3	4	5	6	7	8
	Hz	63	125	250	500	1K	2K	4K	8K
	Face Velocity, fpm								
3	-2,000	1	3	9	13	13	6	3	4
	-1,000	1	3	8	13	14	7	4	4
	0	1	3	8	13	13	7	4	3
	1,000	1	3	8	13	13	7	4	2
	2,000	1	3	8	13	13	7	4	3
5	-2,000	2	6	15	25	23	11	6	7
	-1,000	2	6	15	25	23	11	7	7
	0	2	6	14	24	24	11	7	6
	1,000	2	6	14	24	24	11	7	4
	2,000	2	6	14	24	24	11	7	4
7	-2,000	3	9	21	35	33	15	9	10
	-1,000	3	8	21	35	34	16	11	10
	0	3	8	20	34	33	16	10	8
	1,000	3	8	20	34	33	16	10	6
	2,000	3	8	19	33	33	17	10	6
10	-2,000	5	12	29	47	45	21	12	14
	-1,000	5	12	29	46	46	22	14	14
	0	5	11	28	46	46	23	14	11
	1,000	5	11	28	46	46	23	14	8
	2,000	4	11	27	46	46	23	14	9



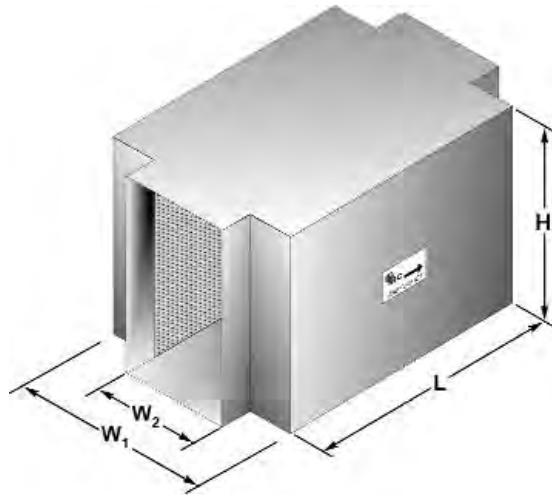
(+) Forward Flow / (-) Reverse Flow. Aero-acoustic performance data based on NVLAP accredited laboratory tests conducted in strict accordance with ASTM E477-99. Contact IAC if attenuation in excess of 50 dB is required.



QUIET-DUCT ULTRA™/ZAPD SILENCERS

TYPE: Z9B

with FORWARD and REVERSE FLOW Ratings



The IAC Quiet-Duct Ultra™/ZAPD line of silencers, introduced in 2006, was designed for applications in which acoustic attenuation is required and no allowance can be made for pressure loss. A Zero-Added-Pressure-Drop silencer (ZAPD) is ideal for high velocity systems, or systems that have little or no room for additional pressure drop.

The IAC Quiet-Duct Ultra™/ZAPD silencers do not create any additional pressure drop in the system.

IAC Quiet-Duct Ultra™/ZAPD silencers have negligible Self Noise Sound Power levels.

DESIGNATING A SILENCER

Model: 5 Z9B 6 x 12

Length: 5' Type: Z9B W₂: 9" Height: 12"

All Z9B Silencers have W₁ = 20"

Table I. Dynamic Insertion Loss (DIL) Ratings: Forward (+) / Reverse (-) Flow

Silencer Length, ft	Octave Band	1	2	3	4	5	6	7	8
	Hz	63	125	250	500	1K	2K	4K	8K
	Face Velocity, fpm								
3	-2,000	2	5	9	12	13	6	3	4
	-1,000	2	5	9	12	14	7	4	4
	0	2	4	9	12	14	7	4	3
	1,000	2	4	9	12	13	7	4	2
	2,000	2	4	9	12	13	7	4	3
5	-2,000	3	8	17	24	23	11	6	7
	-1,000	3	8	16	24	23	11	7	7
	0	3	8	16	24	23	11	7	6
	1,000	3	7	16	23	24	11	7	4
	2,000	3	7	16	23	24	11	7	4
7	-2,000	5	12	24	34	33	16	9	10
	-1,000	5	11	23	33	34	16	11	10
	0	4	11	23	33	33	16	10	8
	1,000	4	10	23	33	33	16	10	6
	2,000	4	10	22	33	33	17	10	6
10	-2,000	7	16	32	44	45	22	12	14
	-1,000	7	16	32	44	47	22	14	14
	0	7	15	31	44	46	23	14	11
	1,000	6	15	31	44	46	23	14	8
	2,000	6	14	31	44	46	23	14	9



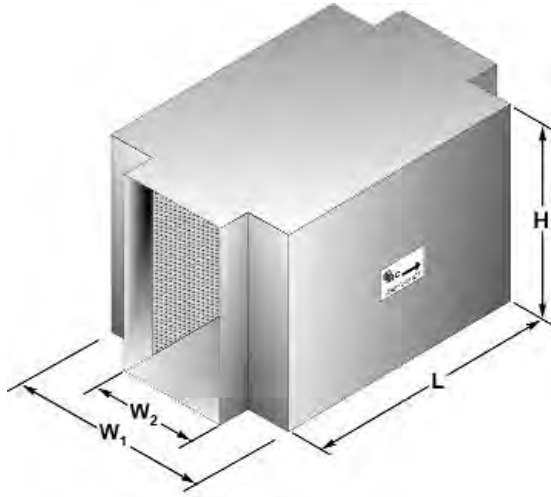
(+) Forward Flow / (-) Reverse Flow. Aero-acoustic performance data based on NVLAP accredited laboratory tests conducted in strict accordance with ASTM E477-99. Contact IAC if attenuation in excess of 50 dB is required.



QUIET-DUCT ULTRA™/ZAPD SILENCERS

TYPE: Z9C

with FORWARD and REVERSE FLOW Ratings



The IAC Quiet-Duct Ultra™/ZAPD line of silencers, introduced in 2006, was designed for applications in which acoustic attenuation is required and no allowance can be made for pressure loss. A Zero-Added-Pressure-Drop silencer (ZAPD) is ideal for high velocity systems, or systems that have little or no room for additional pressure drop.

The IAC Quiet-Duct Ultra™/ZAPD silencers do not create any additional pressure drop in the system.

IAC Quiet-Duct Ultra™/ZAPD silencers have negligible Self Noise Sound Power levels.

DESIGNATING A SILENCER

Model: 5 Z6C 6 x 12

Length: 5' Type: Z9C W₂: 9" Height: 12"

All Z9C Silencers have W₁ = 22 1/2"

Table I. Dynamic Insertion Loss (DIL) Ratings: Forward (+) / Reverse (-) Flow

Silencer Length, ft	Octave Band	1	2	3	4	5	6	7	8
	Hz	63	125	250	500	1K	2K	4K	8K
	Face Velocity, fpm								
3	-2,000	3	6	10	11	13	6	3	4
	-1,000	3	6	10	11	14	7	4	4
	0	3	6	10	12	14	7	4	3
	1,000	2	5	10	12	13	7	4	2
	2,000	2	5	10	12	13	7	4	3
5	-2,000	5	10	18	23	23	11	7	7
	-1,000	4	10	18	23	23	11	7	7
	0	4	10	18	23	24	11	7	6
	1,000	4	9	18	23	24	11	7	4
	2,000	4	9	18	23	24	11	7	4
7	-2,000	7	15	26	32	33	16	9	10
	-1,000	6	14	26	32	34	16	11	10
	0	6	14	25	32	34	16	10	8
	1,000	6	13	25	32	33	16	10	6
	2,000	5	13	25	32	33	17	10	6
10	-2,000	9	20	35	42	45	22	12	14
	-1,000	9	20	34	42	47	22	14	14
	0	8	19	34	42	46	23	14	11
	1,000	8	18	34	42	46	23	14	8
	2,000	8	18	34	42	46	23	14	9



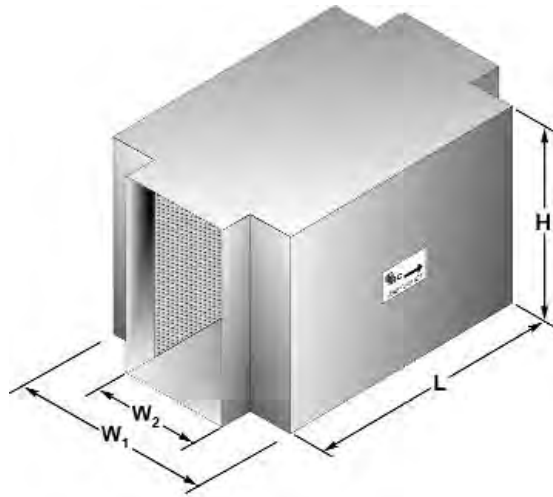
(+) Forward Flow / (-) Reverse Flow. Aero-acoustic performance data based on NVLAP accredited laboratory tests conducted in strict accordance with ASTM E477-99. Contact IAC if attenuation in excess of 50 dB is required.



QUIET-DUCT ULTRA™/ZAPD SILENCERS

TYPE: Z9D

with FORWARD and REVERSE FLOW Ratings



The IAC Quiet-Duct Ultra™/ZAPD line of silencers, introduced in 2006, was designed for applications in which acoustic attenuation is required and no allowance can be made for pressure loss. A Zero-Added-Pressure-Drop silencer (ZAPD) is ideal for high velocity systems, or systems that have little or no room for additional pressure drop.

The IAC Quiet-Duct Ultra™/ZAPD silencers do not create any additional pressure drop in the system.

IAC Quiet-Duct Ultra™/ZAPD silencers have negligible Self Noise Sound Power levels.

DESIGNATING A SILENCER

Model: 5 Z9D 6 x 12

Length: 5' Type: Z9D W₂: 9" Height: 12"

All Z9D Silencers have W₁ = 30"

Table I. Dynamic Insertion Loss (DIL) Ratings: Forward (+) / Reverse (-) Flow

Silencer Length, ft	Octave Band	1	2	3	4	5	6	7	8
	Hz	63	125	250	500	1K	2K	4K	8K
	Face Velocity, fpm								
3	-2,000	4	8	10	10	13	7	4	4
	-1,000	4	8	10	10	14	7	4	4
	0	4	8	10	10	14	7	4	3
	1,000	4	7	10	10	13	7	4	2
	2,000	3	7	10	10	13	7	4	2
5	-2,000	7	14	21	22	23	11	7	7
	-1,000	7	14	20	22	23	11	7	7
	0	7	13	20	22	24	11	7	6
	1,000	6	13	20	22	24	11	7	4
	2,000	6	13	20	22	24	11	7	4
7	-2,000	10	19	28	30	33	16	10	10
	-1,000	10	19	28	30	34	16	11	10
	0	9	18	28	30	34	16	10	8
	1,000	9	18	28	30	33	16	10	6
	2,000	8	17	27	30	33	17	10	6
10	-2,000	14	28	37	39	45	22	14	14
	-1,000	13	27	37	39	48	22	14	14
	0	13	26	37	39	47	22	14	11
	1,000	12	25	37	39	46	23	14	8
	2,000	12	25	37	39	46	23	14	8



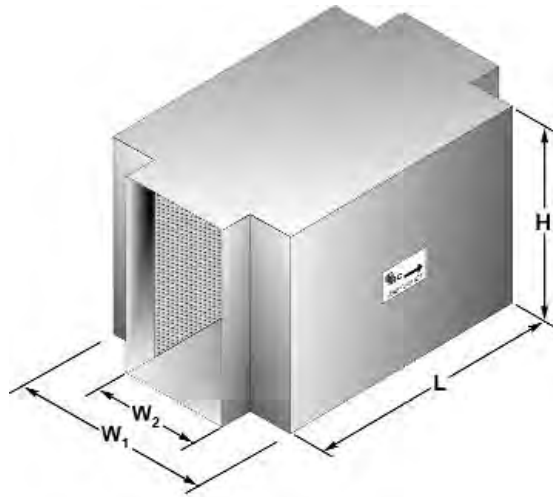
(+) Forward Flow / (-) Reverse Flow. Aero-acoustic performance data based on NVLAP accredited laboratory tests conducted in strict accordance with ASTM E477-99. Contact IAC if attenuation in excess of 50 dB is required.



QUIET-DUCT ULTRA™/ZAPD SILENCERS

TYPE: Z9E

with FORWARD and REVERSE FLOW Ratings



The IAC Quiet-Duct Ultra™/ZAPD line of silencers, introduced in 2006, was designed for applications in which acoustic attenuation is required and no allowance can be made for pressure loss. A Zero-Added-Pressure-Drop silencer (ZAPD) is ideal for high velocity systems, or systems that have little or no room for additional pressure drop.

The IAC Quiet-Duct Ultra™/ZAPD silencers do not create any additional pressure drop in the system.

IAC Quiet-Duct Ultra™/ZAPD silencers have negligible Self Noise Sound Power levels.

DESIGNATING A SILENCER

Model: 5 Z9E 6 x 12

Length: 5' Type: Z9E W₂: 9" Height: 12"

All Z9E Silencers have W₁ = 36"

Table I. Dynamic Insertion Loss (DIL) Ratings: Forward (+) / Reverse (-) Flow

Silencer Length, ft	Octave Band	1	2	3	4	5	6	7	8
	Hz	63	125	250	500	1K	2K	4K	8K
	Face Velocity, fpm								
3	-2,000	5	9	10	10	14	7	4	4
	-1,000	5	8	10	10	15	7	4	4
	0	4	8	10	10	14	7	4	3
	1,000	4	8	10	10	13	7	4	2
	2,000	4	8	10	10	13	7	4	2
5	-2,000	8	15	20	21	23	11	7	7
	-1,000	8	15	20	21	24	11	7	7
	0	8	15	20	20	24	11	7	6
	1,000	7	14	20	20	24	11	7	4
	2,000	7	14	20	20	24	11	7	4
7	-2,000	11	21	29	30	34	16	11	10
	-1,000	11	21	29	30	34	16	11	10
	0	11	21	29	30	34	16	10	8
	1,000	10	20	29	30	33	16	10	6
	2,000	10	20	28	30	33	16	10	6
10	-2,000	16	30	37	37	47	22	14	14
	-1,000	16	29	37	37	48	22	14	14
	0	15	29	36	37	47	22	14	11
	1,000	15	28	36	37	46	22	14	8
	2,000	14	27	36	37	46	23	14	8



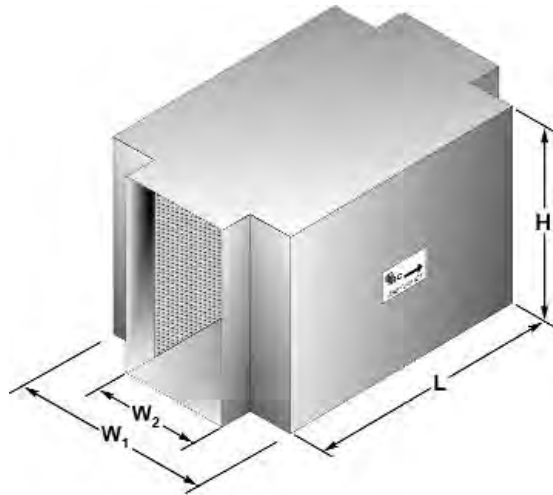
(+) Forward Flow / (-) Reverse Flow. Aero-acoustic performance data based on NVLAP accredited laboratory tests conducted in strict accordance with ASTM E477-99. Contact IAC if attenuation in excess of 50 dB is required.



QUIET-DUCT ULTRA™/ZAPD SILENCERS

TYPE: Z12A

with FORWARD and REVERSE FLOW Ratings



The IAC Quiet-Duct Ultra™/ZAPD line of silencers, introduced in 2006, was designed for applications in which acoustic attenuation is required and no allowance can be made for pressure loss. A Zero-Added-Pressure-Drop silencer (ZAPD) is ideal for high velocity systems, or systems that have little or no room for additional pressure drop.

The IAC Quiet-Duct Ultra™/ZAPD silencers do not create any additional pressure drop in the system.

IAC Quiet-Duct Ultra™/ZAPD silencers have negligible Self Noise Sound Power levels.

DESIGNATING A SILENCER

Model: 5 Z12A 6 x 12

Length: 5' Type: Z12A W₂: 12" Height: 12"

All Z12A Silencers have W₁ = 24"

Table I. Dynamic Insertion Loss (DIL) Ratings: Forward (+) / Reverse (-) Flow

Silencer Length, ft	Octave Band	1	2	3	4	5	6	7	8
	Hz	63	125	250	500	1K	2K	4K	8K
	Face Velocity, fpm								
3	-2,000	2	4	9	13	11	5	3	4
	-1,000	2	4	9	13	11	5	3	4
	0	2	4	9	13	10	4	3	3
	1,000	2	4	9	12	9	4	3	2
	2,000	1	4	9	12	9	4	3	3
5	-2,000	3	7	16	22	17	9	5	7
	-1,000	3	7	16	22	18	9	6	7
	0	2	7	15	22	18	8	6	6
	1,000	2	7	15	22	19	8	5	5
	2,000	2	6	15	21	19	8	5	6
7	-2,000	4	10	22	32	25	13	7	10
	-1,000	4	10	22	32	26	12	8	10
	0	4	10	21	31	25	12	8	8
	1,000	3	9	21	31	25	11	7	7
	2,000	3	9	21	30	25	11	7	7
10	-2,000	5	14	31	44	36	17	10	13
	-1,000	5	14	31	43	36	17	12	13
	0	5	14	30	43	35	16	11	11
	1,000	5	13	30	42	34	14	10	10
	2,000	5	13	29	42	35	15	10	10



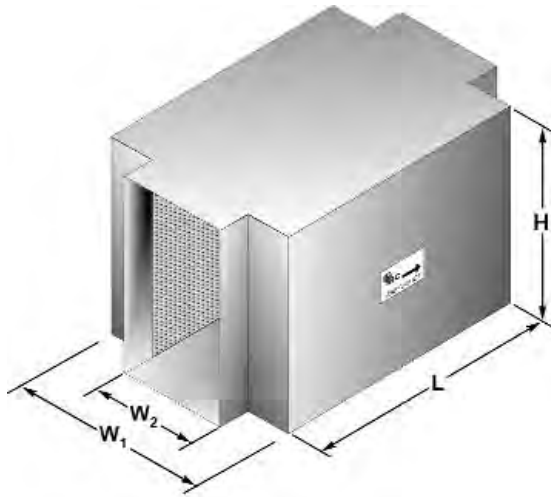
(+) Forward Flow / (-) Reverse Flow. Aero-acoustic performance data based on NVLAP accredited laboratory tests conducted in strict accordance with ASTM E477-99. Contact IAC if attenuation in excess of 50 dB is required.



QUIET-DUCT ULTRA™/ZAPD SILENCERS

TYPE: Z12B

with FORWARD and REVERSE FLOW Ratings



The IAC Quiet-Duct Ultra™/ZAPD line of silencers, introduced in 2006, was designed for applications in which acoustic attenuation is required and no allowance can be made for pressure loss. A Zero-Added-Pressure-Drop silencer (ZAPD) is ideal for high velocity systems, or systems that have little or no room for additional pressure drop.

The IAC Quiet-Duct Ultra™/ZAPD silencers do not create any additional pressure drop in the system.

IAC Quiet-Duct Ultra™/ZAPD silencers have negligible Self Noise Sound Power levels.

DESIGNATING A SILENCER

Model: 5 Z12B 6 x 12

Length: 5' Type: Z12B W₂: 12" Height: 12"

All Z12B Silencers have W₁ = 30"

Table I. Dynamic Insertion Loss (DIL) Ratings: Forward (+) / Reverse (-) Flow

Silencer Length, ft	Octave Band	1	2	3	4	5	6	7	8
	Hz	63	125	250	500	1K	2K	4K	8K
	Face Velocity, fpm								
3	-2,000	3	6	10	11	11	5	3	4
	-1,000	3	6	9	11	11	5	3	4
	0	3	6	9	11	10	4	3	3
	1,000	3	6	9	11	9	4	3	2
	2,000	2	6	9	11	9	4	3	3
5	-2,000	5	11	18	20	17	9	5	7
	-1,000	5	11	18	20	18	9	6	7
	0	5	10	18	20	18	8	6	6
	1,000	4	10	17	20	19	8	5	5
	2,000	4	10	17	20	19	8	5	6
7	-2,000	7	15	25	28	25	13	7	10
	-1,000	7	15	25	28	26	12	8	10
	0	7	14	24	28	25	12	8	8
	1,000	6	14	24	28	25	11	7	7
	2,000	6	14	24	28	25	11	7	7
10	-2,000	10	22	34	38	35	17	10	13
	-1,000	10	21	34	38	36	17	12	13
	0	9	20	33	38	35	16	11	11
	1,000	9	20	33	38	33	14	10	9
	2,000	8	19	33	38	34	15	10	10



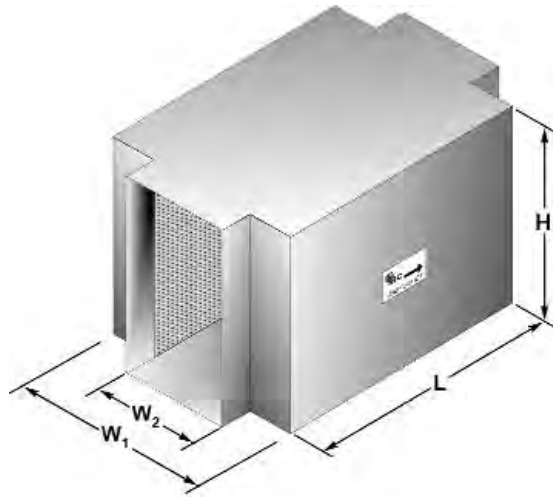
(+) Forward Flow / (-) Reverse Flow. Aero-acoustic performance data based on NVLAP accredited laboratory tests conducted in strict accordance with ASTM E477-99. Contact IAC if attenuation in excess of 50 dB is required.



QUIET-DUCT ULTRA™/ZAPD SILENCERS

TYPE: Z12C

with FORWARD and REVERSE FLOW Ratings



The IAC Quiet-Duct Ultra™/ZAPD line of silencers, introduced in 2006, was designed for applications in which acoustic attenuation is required and no allowance can be made for pressure loss. A Zero-Added-Pressure-Drop silencer (ZAPD) is ideal for high velocity systems, or systems that have little or no room for additional pressure drop.

The IAC Quiet-Duct Ultra™/ZAPD silencers do not create any additional pressure drop in the system.

IAC Quiet-Duct Ultra™/ZAPD silencers have negligible Self Noise Sound Power levels.

DESIGNATING A SILENCER

Model: 5 Z12C 6 x 12

Length: 5' Type: Z12C W₂: 12" Height: 12"

All Z12C Silencers have W₁ = 40"

Table I. Dynamic Insertion Loss (DIL) Ratings: Forward (+) / Reverse (-) Flow

Silencer Length, ft	Octave Band	1	2	3	4	5	6	7	8
	Hz	63	125	250	500	1K	2K	4K	8K
	Face Velocity, fpm								
3	-2,000	4	8	10	10	10	5	3	4
	-1,000	4	8	9	10	11	5	4	3
	0	4	7	9	10	10	4	3	3
	1,000	4	7	9	9	9	4	3	2
	2,000	4	7	9	9	9	4	3	3
5	-2,000	7	14	18	18	18	9	6	7
	-1,000	7	14	18	18	18	9	6	7
	0	7	13	18	18	18	8	6	6
	1,000	7	13	18	18	19	8	5	5
	2,000	6	13	18	18	19	8	5	6
7	-2,000	10	20	27	27	25	13	8	10
	-1,000	10	19	26	27	26	12	9	10
	0	10	19	26	27	25	11	8	8
	1,000	9	18	26	27	24	11	7	7
	2,000	9	18	26	26	25	11	7	7
10	-2,000	15	27	34	35	35	17	12	13
	-1,000	14	26	34	34	36	16	12	13
	0	14	26	34	34	34	15	11	11
	1,000	13	25	34	34	33	14	10	9
	2,000	13	25	33	34	34	14	10	10



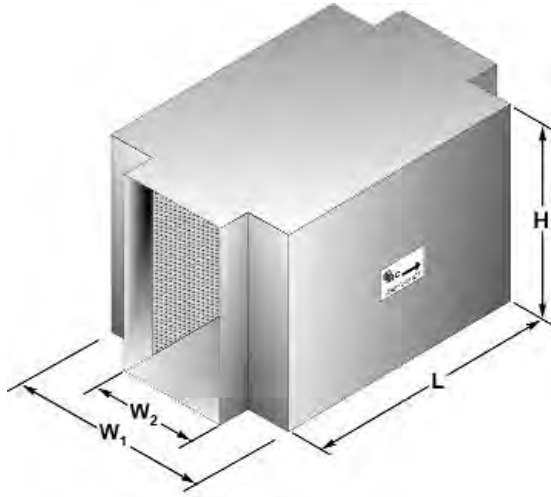
(+) Forward Flow / (-) Reverse Flow. Aero-acoustic performance data based on NVLAP accredited laboratory tests conducted in strict accordance with ASTM E477-99. Contact IAC if attenuation in excess of 50 dB is required.



QUIET-DUCT ULTRA™/ZAPD SILENCERS

TYPE: Z12D

with FORWARD and REVERSE FLOW Ratings



The IAC Quiet-Duct Ultra™/ZAPD line of silencers, introduced in 2006, was designed for applications in which acoustic attenuation is required and no allowance can be made for pressure loss. A Zero-Added-Pressure-Drop silencer (ZAPD) is ideal for high velocity systems, or systems that have little or no room for additional pressure drop.

The IAC Quiet-Duct Ultra™/ZAPD silencers do not create any additional pressure drop in the system.

IAC Quiet-Duct Ultra™/ZAPD silencers have negligible Self Noise Sound Power levels.

DESIGNATING A SILENCER

Model: 5 Z12D 6 x 12

Length: 5' Type: Z12D W₂: 12" Height: 12"

All Z12D Silencers have W₁ = 48"

Table I. Dynamic Insertion Loss (DIL) Ratings: Forward (+) / Reverse (-) Flow

Silencer Length, ft	Octave Band	1	2	3	4	5	6	7	8
	Hz	63	125	250	500	1K	2K	4K	8K
	Face Velocity, fpm								
3	-2,000	5	8	10	10	11	5	3	4
	-1,000	5	8	10	10	10	5	4	3
	0	5	8	10	10	9	4	3	3
	1,000	4	8	10	10	9	4	3	2
	2,000	4	8	10	10	9	4	3	2
5	-2,000	8	15	18	18	18	9	6	7
	-1,000	8	15	18	17	18	9	6	7
	0	8	14	18	17	18	8	6	6
	1,000	8	14	18	17	19	8	5	5
	2,000	7	14	17	17	19	8	5	5
7	-2,000	11	21	26	25	26	12	8	10
	-1,000	11	21	26	25	26	12	9	10
	0	11	21	25	25	25	11	8	8
	1,000	11	20	25	25	24	11	7	7
	2,000	10	20	25	25	25	11	7	7
10	-2,000	16	29	35	34	36	17	12	13
	-1,000	16	29	35	34	35	16	12	13
	0	15	28	34	34	34	15	11	11
	1,000	15	28	34	33	33	14	10	9
	2,000	15	27	34	33	34	14	10	10



(+) Forward Flow / (-) Reverse Flow. Aero-acoustic performance data based on NVLAP accredited laboratory tests conducted in strict accordance with ASTM E477-99. Contact IAC if attenuation in excess of 50 dB is required.



QUIET-DUCT COMMERCIAL™ SERIES SILENCERS

1.01 GENERAL

- A. Furnish and install "Quiet-Duct" (rectangular) silencers of the types and sizes shown on the plans and/or listed in the schedule. Silencers shall be the product of Industrial Acoustics Company. Any specification change must be submitted in writing and approved by the Architect/Engineer, in writing, at least 10 days prior to the bid due-date.

2.01 MATERIALS

- A. Outer casings of rectangular silencers shall be made of 22 gauge type #G-90 lock-former-quality galvanized steel.
- B. Interior partitions for rectangular silencers shall be not less than 26 gauge type #G-90 galvanized lock-former-quality perforated steel.
- C. Filler material shall be inorganic glass fiber of a proper density to obtain the specified acoustic performance and be packed under not less than 5% compression to eliminate voids due to vibration and settling. Material shall be inert, vermin- and moisture-proof.
- D. Combustion ratings for the silencer acoustic fill shall be not greater than the following when tested to ASTM E 84, NFPA Standard 255, or UL No. 723:
 - Flamespread Classification 20
 - Smoke Development Rating 20

3.01 CONSTRUCTION

- A. Units shall be constructed in accordance with the ASHRAE Guide recommendations for high pressure duct work. Seams shall be lock formed and mastic filled. Rectangular casing seams shall be in the corners of the silencer shell to provide maximum unit strength and rigidity. Interior partitions shall be fabricated from single-piece, margin-perforated sheets and shall have die-formed entrance and exit shapes so as to provide the maximum aerodynamic efficiency and minimum self-noise characteristics in the sound attenuator. Blunt noses or squared off partitions will not be accepted.
- B. Attachment of the interior partitions to the casing shall be by means of an interlocking track assembly. Tracks shall be solid galvanized steel and shall be welded to the outer casing. Attachment of the interior partitions to the tracks shall be such that a minimum of 4 thicknesses of metal exist at this location. The track assembly shall stiffen the exterior casing, provide a reinforced attachment detail for the interior partitions, and shall maintain a uniform airspace width along the length of the silencer for consistent aerodynamic and acoustic performance. Interior partitions shall be additionally secured to the outer casing with welded nose clips at both ends of the sound attenuator.

- C. Sound attenuating units shall not fail structurally when subjected to a differential air pressure of 8 inches water gauge from inside to outside the casing. Airtight construction shall be provided by use of a duct sealing compound on the job-site material and labor furnished by the contractor.

4.01 ACOUSTIC PERFORMANCE

- A. All silencer ratings shall be determined in a duct-to-reverberant room test facility which provides for airflow in both directions through the test silencer in accordance with ASTM Specification E477-99. The test facility shall be NVLAP accredited for the ASTM E477-99 test standard. Data from a non-accredited laboratory will not be acceptable. The test set-up and procedure shall be such that all effects due to end reflection, directivity, flanking transmission, standing waves and test chamber sound absorption are eliminated. Acoustic ratings shall include Dynamic Insertion Loss (DIL) and Self-Noise (SN) Power Levels both for FORWARD FLOW (air and noise in same direction) and REVERSE FLOW (air and noise in opposite directions) with airflow of at least 2000 fpm entering face velocity. Data for rectangular and tubular type silencers shall be presented for tests conducted using silencers no smaller than the following cross-sections:
 - Rectangular, inch: 24x24, 24x30, or 24x36, and
 - Tubular, inch: 12, 24, 36, and 48

5.01 AERODYNAMIC PERFORMANCE

- A. Static pressure loss of silencers shall not exceed those listed in the silencer schedule as the airflow indicates. Airflow measurements shall be made in accordance with ASTM specification E477-99 and applicable portions of ASME, AMCA, and ADC airflow test codes. Tests shall be reported on the identical units for which acoustic data is presented.

6.01 CERTIFICATION

- A. With submittals, the manufacturer shall supply certified test data on Dynamic Insertion Loss, Self-Noise Power Levels, and Aerodynamic Performance for Reverse and Forward Flow test conditions. Test data shall be for a standard product. All rating tests shall be conducted in the same facility, shall utilize the same silencer, and shall be open to inspection upon request from the Architect/Engineer.

7.01 DUCT TRANSITIONS

- A. When transitions are required to adapt silencer dimensions to connecting duct work they shall be furnished by the installing contractor.

with FORWARD and REVERSE FLOW Ratings



IAC has produced Quiet-Duct HVAC silencers for more than 50 years, and has developed many of the terms and test standards for rating silencer performance that are used today. These standards are dynamic documents that continue to change based on new developments and discoveries in the field of acoustic engineering. Today we continue our involvement in several of the industry's governing agencies, and we remain committed to ensuring that we are always providing product that is in accordance with all of the latest standards. All published acoustic and aerodynamic performance results are based on tests conducted in strict accordance with ASTM E477-99 in IAC America's NVLAP-Accredited laboratory.

DESIGNATING A SILENCER

Model: 5 LFS 24 x 18

Length: 5' Type: LFS Width: 24" Height: 18"

Table I. Dynamic Insertion Loss (DIL) Ratings: Forward (+) / Reverse (-) Flow

IAC MODEL	Octave Band	1	2	3	4	5	6	7	8
	Hz	63	125	250	500	1K	2K	4K	8K
	Face Velocity, fpm								
3LFS	-2000	8	14	25	29	27	20	16	12
	-1000	7	13	23	28	26	20	16	14
	0	8	13	23	28	27	21	17	14
	1000	9	12	22	28	27	21	18	14
	2000	7	11	21	25	25	21	17	14
5LFS	-2000	13	23	36	42	42	28	19	14
	-1000	13	21	35	41	41	28	21	15
	0	13	20	33	39	41	28	22	16
	1000	12	19	31	36	40	27	22	16
	2000	10	17	28	33	37	29	20	16
7LFS	-2000	14	25	40	50	51	35	22	16
	-1000	14	24	42	49	49	35	24	17
	0	13	24	40	47	47	34	25	17
	1000	12	23	37	44	45	33	25	17
	2000	10	22	37	44	45	34	24	17
10LFS	-2000	19	30	46	52	53	43	25	17
	-1000	18	32	50	52	53	45	29	19
	0	18	30	49	52	53	46	32	21
	1000	17	28	47	52	53	47	35	23
	2000	16	25	46	53	53	48	36	24



(+) Forward Flow / (-) Reverse Flow. Aero-acoustic performance data based on NVLAP accredited laboratory tests conducted in strict accordance with ASTM E477-99. Contact IAC if attenuation in excess of 50 dB is required.

Table II: Weights and Measures

Nominal Length	W/ In H/ In	6 18	6 24	6 30	6 36	6 42	6 48	12 18	12 24	12 30	12 36	12 42	12 48	24 18	24 24	24 30
3 feet	Wt/ lb.	18	21	25	29	31	35	35	42	50	57	61	70	54	64	74
5 feet		29	35	42	47	52	59	58	70	83	94	104	117	89	104	121
7 feet		41	49	59	67	75	83	82	98	118	134	150	166	125	146	175
10 feet		59	70	84	95	-	-	117	140	167	190	-	-	178	209	250

Nominal Length	W/ In H/ In	24 36	24 42	24 48	36 18	36 24	36 30	36 36	36 42	36 48	48 18	48 24	48 30	48 36	48 42	48 48
3 feet	Wt/ lb.	82	92	102	89	106	124	139	153	172	108	128	148	164	184	204
5 feet		136	152	157	147	174	204	230	256	274	178	208	242	272	304	314
7 feet		196	218	240	207	244	293	330	-	-	-	-	-	-	-	-
10 feet		280	-	-	295	349	417	470	-	-	-	-	-	-	-	-

Table III: Aerodynamic Performance

Model	L/ Ft	Static Pressure Drop, i.w.g.															
LFS	3	0.04	0.05	0.07	0.09	0.11	0.14	0.17	0.20	0.24	0.28	0.32	0.36	0.41	0.46	0.51	0.57
	5	0.04	0.06	0.08	0.10	0.13	0.16	0.19	0.22	0.26	0.31	0.35	0.40	0.45	0.51	0.56	0.62
	7	0.04	0.06	0.08	0.10	0.13	0.16	0.20	0.23	0.28	0.32	0.37	0.42	0.47	0.53	0.59	0.65
	10	0.04	0.06	0.09	0.11	0.14	0.18	0.21	0.26	0.30	0.35	0.40	0.45	0.51	0.57	0.64	0.71
Silencer Face Velocity, fpm	250	300	350	400	450	500	550	600	650	700	750	800	850	900	950	1000	

Table IV: Self-Noise Power Levels, dB re: 10-12 Watts

IAC Model	Octave Band	1	2	3	4	5	6	7	8
	Hz	63	125	250	500	1K	2K	4K	8K
	Silencer Face Velocity, fpm								
LFS All Sizes	-2,000	58	54	58	61	62	62	65	63
	-1,500	51	49	53	56	56	59	60	53
	-1,000	45	42	45	43	45	49	44	37
	1,000	46	42	45	43	45	49	44	37
	1,500	56	54	57	56	52	56	57	51
	2,000	68	64	65	66	61	61	64	61

(+) Forward Flow / (-) Reverse Flow. Aero-acoustic performance data based on NVLAP accredited laboratory tests conducted in strict accordance with ASTM E477-99.

TAKE NOTE!

- Silencer Face Area is the cross-sectional area at the silencer entrance.
- Face Velocity is the CFM of airflow divided by the Face Area (in sq. ft.)
- Pressure Drop for any velocity can be calculated from this equation:
 $PD = (\text{Actual FV}/\text{Catalog FV})^2 \times (\text{Catalog PD})$
- Self Noise values shown are for a four-square-foot face area silencer.
- For each doubling of the face area add 3 dB to the self-noise values listed.
- For each halving of the face area subtract 3 dB from the self-noise values listed.
- Weights and measures are listed for limited number of available sizes.



QUIET-DUCT SILENCERS

TYPE: LFM

with FORWARD and REVERSE FLOW Ratings



IAC has produced Quiet-Duct HVAC silencers for more than 50 years, and has developed many of the terms and test standards for rating silencer performance that are used today. These standards are dynamic documents that continue to change based on new developments and discoveries in the field of acoustic engineering. Today we continue our involvement in several of the industry's governing agencies, and we remain committed to ensuring that we are always providing product that is in accordance with all of the latest standards. All published acoustic and aerodynamic performance results are based on tests conducted in strict accordance with ASTM E477-99 in IAC America's NVLAP-Accredited laboratory.

DESIGNATING A SILENCER

Model: 5 LFM 24 x 18

Length: 5' Type: LFM Width: 24" Height: 18"

Table I. Dynamic Insertion Loss (DIL) Ratings: Forward (+) / Reverse (-) Flow

IAC MODEL	Octave Band	1	2	3	4	5	6	7	8
	Hz	63	125	250	500	1K	2K	4K	8K
	Face Velocity, fpm								
3LFM	-2000	6	9	17	22	19	14	12	10
	-1000	6	8	16	21	18	13	12	11
	0	5	8	16	21	18	13	12	11
	1000	4	7	15	20	17	13	11	10
	2000	4	7	14	19	17	12	11	10
5LFM	-2000	9	16	26	32	29	17	13	13
	-1000	9	15	26	31	30	17	15	13
	0	9	14	25	30	29	17	15	13
	1000	8	13	23	29	28	17	14	13
	2000	7	12	22	28	28	17	14	12
7LFM	-2000	12	18	32	44	39	21	16	14
	-1000	12	18	32	43	39	21	18	15
	0	12	17	31	42	39	22	18	15
	1000	12	16	30	41	38	22	17	14
	2000	11	15	28	39	38	23	17	15
10LFM	-2000	16	24	41	51	51	26	20	16
	-1000	16	24	42	51	50	27	22	17
	0	16	23	41	51	50	28	22	17
	1000	15	22	39	50	50	28	21	16
	2000	14	20	38	50	50	28	22	17



(+) Forward Flow / (-) Reverse Flow. Aero-acoustic performance data based on NVLAP accredited laboratory tests conducted in strict accordance with ASTM E477-99. Contact IAC if attenuation in excess of 50 dB is required.

Table II: Weights and Measures

Nominal Length	W/ In H/ In	6 18	6 24	6 30	6 36	6 42	6 48	12 18	12 24	12 30	12 36	12 42	12 48	24 18	24 24	24 30
3 feet	Wt/ lb.	18	21	25	29	31	35	35	42	50	57	61	70	54	64	74
5 feet		29	35	42	47	52	59	58	70	83	94	104	117	89	104	121
7 feet		41	49	59	67	75	83	82	98	118	134	150	166	125	146	175
10 feet		59	70	84	95	-	-	117	140	167	190	-	-	178	209	250

Nominal Length	W/ In H/ In	24 36	24 42	24 48	36 18	36 24	36 30	36 36	36 42	36 48	48 18	48 24	48 30	48 36	48 42	48 48
3 feet	Wt/ lb.	82	92	102	89	106	124	139	153	172	108	128	148	164	184	204
5 feet		136	152	157	147	174	204	230	256	274	178	208	242	272	304	314
7 feet		196	218	240	207	244	293	330	-	-	-	-	-	-	-	-
10 feet		280	-	-	295	349	417	470	-	-	-	-	-	-	-	-

Table III: Aerodynamic Performance

Model	L/ Ft	Static Pressure Drop, i.w.g.															
LFM	3	0.05	0.07	0.09	0.12	0.15	0.19	0.23	0.27	0.32	0.37	0.42	0.48	0.55	0.61	0.68	0.76
	5	0.05	0.07	0.10	0.13	0.16	0.20	0.24	0.29	0.34	0.39	0.45	0.51	0.57	0.64	0.72	0.79
	7	0.05	0.07	0.10	0.13	0.17	0.21	0.25	0.30	0.35	0.41	0.47	0.53	0.60	0.67	0.75	0.83
	10	0.06	0.08	0.12	0.15	0.19	0.24	0.29	0.34	0.40	0.46	0.53	0.60	0.68	0.76	0.85	0.94
Silencer Face Velocity, fpm	500	600	700	800	900	1000	1100	1200	1300	1400	1500	1600	1700	1800	1900	2000	

Table IV: Self-Noise Power Levels, dB re: 10-12 Watts

IAC Model	Octave Band	1	2	3	4	5	6	7	8
	Hz	63	125	250	500	1K	2K	4K	8K
	Silencer Face Velocity, fpm								
LFM All Sizes	-3,000	64	62	64	66	65	64	66	62
	-2,000	53	50	54	56	56	59	58	51
	-1,000	42	40	43	45	47	46	37	27
	1,000	47	34	36	35	40	37	27	20
	2,000	54	52	58	56	51	56	55	50
	3,000	68	64	64	63	61	63	66	63

(+) Forward Flow / (-) Reverse Flow. Aero-acoustic performance data based on NVLAP accredited laboratory tests conducted in strict accordance with ASTM E477-99.

TAKE NOTE!

- Silencer Face Area is the cross-sectional area at the silencer entrance.
- Face Velocity is the CFM of airflow divided by the Face Area (in sq. ft.)
- Pressure Drop for any velocity can be calculated from this equation:
 $PD = (\text{Actual FV}/\text{Catalog FV})^2 \times (\text{Catalog PD})$
- Self Noise values shown are for a four-square-foot face area silencer.
- For each doubling of the face area add 3 dB to the self-noise values listed.
- For each halving of the face area subtract 3 dB from the self-noise values listed.
- Weights and measures are listed for limited number of available sizes.



QUIET-DUCT SILENCERS

TYPE: S

with FORWARD and REVERSE FLOW Ratings



IAC has produced Quiet-Duct HVAC silencers for more than 50 years, and has developed many of the terms and test standards for rating silencer performance that are used today. These standards are dynamic documents that continue to change based on new developments and discoveries in the field of acoustic engineering. Today we continue our involvement in several of the industry's governing agencies, and we remain committed to ensuring that we are always providing product that is in accordance with all of the latest standards. All published acoustic and aerodynamic performance results are based on tests conducted in strict accordance with ASTM E477-99 in IAC America's NVLAP-Accredited laboratory.

DESIGNATING A SILENCER

Model: 5 S 24 x 18

Length: 5' Type: S Width: 24" Height: 18"

Table I. Dynamic Insertion Loss (DIL) Ratings: Forward (+) / Reverse (-) Flow

IAC MODEL	Octave Band	1	2	3	4	5	6	7	8
	Hz	63	125	250	500	1K	2K	4K	8K
	Face Velocity, fpm								
3S	-2000	6	12	20	33	39	35	23	14
	-1000	5	11	17	33	38	35	25	14
	0	5	10	16	32	38	35	26	16
	1000	5	9	15	30	37	35	27	17
	2000	5	8	14	27	36	35	27	17
5S	-2000	10	20	27	45	48	43	36	22
	-1000	10	19	26	44	47	45	38	22
	0	9	17	25	43	47	46	39	24
	1000	7	17	23	42	46	46	40	25
	2000	6	16	22	40	46	46	40	25
7S	-2000	12	23	37	48	50	45	41	27
	-1000	12	22	35	47	49	47	44	28
	0	11	20	33	47	49	47	45	31
	1000	9	18	31	47	49	47	45	34
	2000	8	16	31	46	49	48	45	35
10S	-2000	14	26	43	50	51	50	45	37
	-1000	14	28	42	49	51	50	49	37
	0	13	25	42	49	52	50	49	41
	1000	12	22	41	49	52	50	49	44
	2000	11	19	40	50	52	50	49	46



(+) Forward Flow / (-) Reverse Flow. Aero-acoustic performance data based on NVLAP accredited laboratory tests conducted in strict accordance with ASTM E477-99. Contact IAC if attenuation in excess of 50 dB is required.

Table II: Weights and Measures

Nominal Length	W/ In H/ In	6 18	6 24	6 30	6 36	6 42	6 48	12 18	12 24	12 30	12 36	12 42	12 48	24 18	24 24	24 30
3 feet	Wt/ lb.	25	35	42	49	60	70	43	52	62	74	83	93	71	86	102
5 feet		44	63	75	87	105	126	73	89	107	125	141	158	121	147	173
7 feet		61	88	102	122	147	176	102	125	150	176	199	226	170	207	243
10 feet		86	123	150	171	206	246	155	177	212	250	-	-	241	293	345

Nominal Length	W/ In H/ In	24 36	24 42	24 48	36 18	36 24	36 30	36 36	36 42	36 48	48 18	48 24	48 30	48 36	48 42	48 48
3 feet	Wt/ lb.	117	132	147	81	102	142	162	182	204	142	172	204	234	264	294
5 feet		204	230	256	142	177.5	249	284	319	355	242	294	346	408	460	512
7 feet		288	325	362	-	-	-	-	-	-	340	414	486	576	650	724
10 feet		405	-	-	-	-	-	-	-	-	482	586	690	810	-	-

Table III: Aerodynamic Performance

Model	L/ Ft	Static Pressure Drop, i.w.g.															
S	3	0.01	0.03	0.06	0.09	0.13	0.18	0.23	0.29	0.36	0.44	0.52	0.61	0.71	0.82	0.93	1.05
	5	0.02	0.04	0.07	0.10	0.15	0.20	0.26	0.33	0.41	0.49	0.59	0.69	0.80	0.91	1.04	1.17
	7	0.02	0.04	0.07	0.11	0.16	0.21	0.28	0.35	0.44	0.53	0.63	0.74	0.85	0.98	1.11	1.26
	10	0.02	0.04	0.08	0.12	0.18	0.24	0.32	0.40	0.49	0.60	0.71	0.83	0.97	1.11	1.26	1.43
Silencer Face Velocity, fpm	200	300	400	500	600	700	800	900	1000	1100	1200	1300	1400	1500	1600	1700	

Table IV: Self-Noise Power Levels, dB re: 10-12 Watts

IAC Model	Octave Band	1	2	3	4	5	6	7	8
	Hz	63	125	250	500	1K	2K	4K	8K
	Silencer Face Velocity, fpm								
S All Sizes	-2,000	68	62	61	66	61	64	67	66
	-1,000	54	51	50	51	54	56	52	40
	-500	40	40	39	36	47	48	37	20
	500	36	29	35	30	31	35	22	20
	1,000	55	49	49	47	46	49	42	32
	2,000	74	69	63	64	61	63	62	56

(+) Forward Flow / (-) Reverse Flow. Aero-acoustic performance data based on NVLAP accredited laboratory tests conducted in strict accordance with ASTM E477-99.

TAKE NOTE!

- Silencer Face Area is the cross-sectional area at the silencer entrance.
- Face Velocity is the CFM of airflow divided by the Face Area (in sq. ft.)
- Pressure Drop for any velocity can be calculated from this equation:
 $PD = (\text{Actual FV}/\text{Catalog FV})^2 \times (\text{Catalog PD})$
- Self Noise values shown are for a four-square-foot face area silencer.
- For each doubling of the face area add 3 dB to the self-noise values listed.
- For each halving of the face area subtract 3 dB from the self-noise values listed.
- Weights and measures are listed for limited number of available sizes.



QUIET-DUCT SILENCERS

TYPE: ES

with FORWARD and REVERSE FLOW Ratings



IAC has produced Quiet-Duct HVAC silencers for more than 50 years, and has developed many of the terms and test standards for rating silencer performance that are used today. These standards are dynamic documents that continue to change based on new developments and discoveries in the field of acoustic engineering. Today we continue our involvement in several of the industry's governing agencies, and we remain committed to ensuring that we are always providing product that is in accordance with all of the latest standards. All published acoustic and aerodynamic performance results are based on tests conducted in strict accordance with ASTM E477-99 in IAC America's NVLAP-Accredited laboratory.

DESIGNATING A SILENCER

Model: 5 ES 24 x 18

Length: 5' Type: ES Width: 24" Height: 18"

Table I. Dynamic Insertion Loss (DIL) Ratings: Forward (+) / Reverse (-) Flow

IAC MODEL	Octave Band	1	2	3	4	5	6	7	8
	Hz	63	125	250	500	1K	2K	4K	8K
	Face Velocity, fpm								
3ES	-2000	5	8	18	31	38	36	22	16
	-1000	3	8	17	31	38	36	22	17
	0	3	6	16	29	38	35	22	18
	1000	2	5	14	27	36	34	23	17
	2000	2	5	12	25	34	34	23	18
5ES	-2000	10	16	25	41	52	48	26	17
	-1000	10	15	24	40	50	50	31	20
	0	9	12	22	38	51	50	33	22
	1000	7	12	19	37	51	49	35	23
	2000	6	12	19	35	49	49	35	24
7ES	-2000	11	20	39	53	51	53	37	21
	-1000	11	21	36	51	53	53	43	25
	0	10	19	33	50	53	53	46	29
	1000	7	16	31	50	53	52	46	32
	2000	6	15	29	48	54	50	48	34
10ES	-2000	15	31	40	53	54	53	43	24
	-1000	13	33	44	51	51	53	48	26
	0	11	28	43	52	52	53	49	32
	1000	9	25	41	52	51	54	49	37
	2000	7	24	38	53	51	54	50	39



(+) Forward Flow / (-) Reverse Flow. Aero-acoustic performance data based on NVLAP accredited laboratory tests conducted in strict accordance with ASTM E477-99. Contact IAC if attenuation in excess of 50 dB is required.

Table II: Weights and Measures

Nominal Length	W/ In H/ In	6 18	6 24	6 30	6 36	6 42	6 48	12 18	12 24	12 30	12 36	12 42	12 48	24 18	24 24	24 30
3 feet	Wt/ lb.	25	35	42	49	60	70	43	52	62	74	83	93	71	86	102
5 feet		44	63	75	87	105	126	73	89	107	125	141	158	121	147	173
7 feet		61	88	102	122	147	176	102	125	150	176	199	226	170	207	243
10 feet		86	123	150	171	206	246	155	177	212	250	-	-	241	293	345

Nominal Length	W/ In H/ In	24 36	24 42	24 48	36 18	36 24	36 30	36 36	36 42	36 48	48 18	48 24	48 30	48 36	48 42	48 48
3 feet	Wt/ lb.	117	132	147	81	102	142	162	182	204	142	172	204	234	264	294
5 feet		204	230	256	142	177.5	249	284	319	355	242	294	346	408	460	512
7 feet		288	325	362	-	-	-	-	-	-	340	414	486	576	650	724
10 feet		405	-	-	-	-	-	-	-	-	482	586	690	810	-	-

Table III: Aerodynamic Performance

Model	L/ Ft	Static Pressure Drop, i.w.g.															
ES	3	0.01	0.02	0.04	0.06	0.08	0.11	0.14	0.18	0.22	0.27	0.32	0.37	0.43	0.50	0.57	0.64
	5	0.01	0.02	0.04	0.06	0.09	0.12	0.15	0.19	0.24	0.29	0.34	0.40	0.46	0.53	0.60	0.68
	7	0.01	0.03	0.05	0.08	0.12	0.17	0.22	0.28	0.34	0.41	0.49	0.57	0.67	0.76	0.87	0.98
	10	0.02	0.04	0.07	0.11	0.16	0.22	0.28	0.36	0.44	0.54	0.64	0.75	0.87	1.00	1.13	1.28
Silencer Face Velocity, fpm	200	300	400	500	600	700	800	900	1000	1100	1200	1300	1400	1500	1600	1700	

Table IV: Self-Noise Power Levels, dB re: 10-12 Watts

IAC Model	Octave Band	1	2	3	4	5	6	7	8
	Hz	63	125	250	500	1K	2K	4K	8K
	Silencer Face Velocity, fpm								
ES All Sizes	-2,000	56	54	58	60	61	65	69	64
	-1,500	47	47	52	55	57	63	64	54
	-1,000	41	41	45	47	52	60	48	38
	1,000	42	35	33	32	34	33	27	22
	1,500	50	47	44	41	43	45	43	41
	2,000	60	57	54	50	49	53	53	50

(+) Forward Flow / (-) Reverse Flow. Aero-acoustic performance data based on NVLAP accredited laboratory tests conducted in strict accordance with ASTM E477-99.

TAKE NOTE!

- Silencer Face Area is the cross-sectional area at the silencer entrance.
- Face Velocity is the CFM of airflow divided by the Face Area (in sq. ft.)
- Pressure Drop for any velocity can be calculated from this equation:
 $PD = (\text{Actual FV}/\text{Catalog FV})^2 \times (\text{Catalog PD})$
- Self Noise values shown are for a four-square-foot face area silencer.
- For each doubling of the face area add 3 dB to the self-noise values listed.
- For each halving of the face area subtract 3 dB from the self-noise values listed.
- Weights and measures are listed for limited number of available sizes.



QUIET-DUCT SILENCERS

TYPE: MS

with FORWARD and REVERSE FLOW Ratings



IAC has produced Quiet-Duct HVAC silencers for more than 50 years, and has developed many of the terms and test standards for rating silencer performance that are used today. These standards are dynamic documents that continue to change based on new developments and discoveries in the field of acoustic engineering. Today we continue our involvement in several of the industry's governing agencies, and we remain committed to ensuring that we are always providing product that is in accordance with all of the latest standards. All published acoustic and aerodynamic performance results are based on tests conducted in strict accordance with ASTM E477-99 in IAC America's NVLAP-Accredited laboratory.

DESIGNATING A SILENCER

Model: 5 MS 30 x 18

Length: 5' Type: MS Width: 30" Height: 18"

Table I. Dynamic Insertion Loss (DIL) Ratings: Forward (+) / Reverse (-) Flow

IAC MODEL	Octave Band	1	2	3	4	5	6	7	8
	Hz	63	125	250	500	1K	2K	4K	8K
	Face Velocity, fpm								
3MS	-4000	5	7	14	24	27	20	12	9
	-2000	6	7	13	24	26	19	13	9
	0	5	7	13	23	25	20	15	10
	2000	4	6	12	21	24	21	16	11
	4000	3	5	11	18	23	22	17	11
5MS	-4000	7	12	21	38	43	32	19	10
	-2000	5	10	19	36	43	31	19	10
	0	5	10	18	35	43	32	21	12
	2000	4	9	17	34	42	33	22	14
	4000	3	8	16	32	40	34	22	15
7MS	-4000	8	17	28	41	46	41	24	13
	-2000	7	14	25	42	50	40	24	13
	0	7	14	24	42	50	42	26	15
	2000	7	13	23	41	49	44	28	17
	4000	6	11	21	40	49	45	30	19
10MS	-4000	12	21	35	43	52	47	31	18
	-2000	11	19	34	45	52	50	33	17
	0	11	18	33	45	52	51	36	19
	2000	10	17	32	45	51	52	38	21
	4000	9	14	29	44	48	50	40	23



(+) Forward Flow / (-) Reverse Flow. Aero-acoustic performance data based on NVLAP accredited laboratory tests conducted in strict accordance with ASTM E477-99. Contact IAC if attenuation in excess of 50 dB is required.

Table II: Weights and Measures

Nominal Length	W/ In H/ In	7.5 18	7.5 24	7.5 30	7.5 36	7.5 42	7.5 48	15 18	15 24	15 30	15 36	15 42	15 48	30 18	30 24	30 30
3 feet	Wt/ lb.	26	40	45	51	66	80	47	57	67	80	89	100	80	95	110
5 feet		46	67	80	91	112	134	80	96	114	134	150	167	135	161	187
7 feet		65	95	100	129	158	190	112	135	159	193	216	240	188	224	261
10 feet		90	135	157	180	223	270	159	192	226	273	-	-	220	319	371

Nominal Length	W/ In H/ In	30 36	30 42	30 48	45 18	45 24	45 30	45 36	45 42	45 48	60 18	60 24	60 30	60 36	60 42	60 48
3 feet	Wt/ lb.	130	145	160	127	152	156	177	197	218	160	190	220	260	290	320
5 feet		22	248	274	215	257	275	310	345	381	270	322	374	44	496	548
7 feet		310	347	384	300	359	-	-	-	-	376	448	522	620	694	768
10 feet		440	-	-	-	-	-	-	-	-	440	638	742	880	-	-

Table III: Aerodynamic Performance

Model	L/ Ft	Static Pressure Drop, i.w.g.															
MS	3	0.06	0.08	0.10	0.12	0.14	0.17	0.20	0.23	0.26	0.29	0.33	0.36	0.40	0.44	0.49	0.53
	5	0.08	0.10	0.12	0.15	0.17	0.20	0.24	0.27	0.31	0.35	0.39	0.44	0.48	0.53	0.58	0.64
	7	0.10	0.12	0.15	0.18	0.22	0.26	0.30	0.34	0.39	0.44	0.49	0.54	0.60	0.67	0.73	0.80
	10	0.12	0.15	0.19	0.23	0.27	0.31	0.36	0.42	0.48	0.54	0.60	0.67	0.74	0.82	0.90	0.98
Silencer Face Velocity, fpm	800	900	1000	1100	1200	1300	1400	1500	1600	1700	1800	1900	2000	2100	2200	2300	

Table IV: Self-Noise Power Levels, dB re: 10-12 Watts

IAC Model	Octave Band	1	2	3	4	5	6	7	8
	Hz	63	125	250	500	1K	2K	4K	8K
	Silencer Face Velocity, fpm								
MS All Sizes	-3,000	67	63	61	66	61	64	67	67
	-2,000	60	56	56	56	57	59	58	49
	-1,000	46	45	45	41	50	51	43	23
	1,000	44	32	36	34	31	32	29	21
	2,000	63	54	52	50	47	48	47	44
	3,000	74	64	60	58	56	58	59	57

(+) Forward Flow / (-) Reverse Flow. Aero-acoustic performance data based on NVLAP accredited laboratory tests conducted in strict accordance with ASTM E477-99.

TAKE NOTE!

- Silencer Face Area is the cross-sectional area at the silencer entrance.
- Face Velocity is the CFM of airflow divided by the Face Area (in sq. ft.)
- Pressure Drop for any velocity can be calculated from this equation:
 $PD = (\text{Actual FV}/\text{Catalog FV})^2 \times (\text{Catalog PD})$
- Self Noise values shown are for a two-and-a-half square-foot face area silencer.
- For each doubling of the face area add 3 dB to the self-noise values listed.
- For each halving of the face area subtract 3 dB from the self-noise values listed.
- Weights and measures are listed for limited number of available sizes.



QUIET-DUCT SILENCERS

TYPE: LFL

with FORWARD and REVERSE FLOW Ratings



IAC has produced Quiet-Duct HVAC silencers for more than 50 years, and has developed many of the terms and test standards for rating silencer performance that are used today. These standards are dynamic documents that continue to change based on new developments and discoveries in the field of acoustic engineering. Today we continue our involvement in several of the industry's governing agencies, and we remain committed to ensuring that we are always providing product that is in accordance with all of the latest standards. All published acoustic and aerodynamic performance results are based on tests conducted in strict accordance with ASTM E477-99 in IAC America's NVLAP-Accredited laboratory.

DESIGNATING A SILENCER

Model: 5 LFL 24 x 18

Length: 5' Type: LFL Width: 24" Height: 18"

Table I. Dynamic Insertion Loss (DIL) Ratings: Forward (+) / Reverse (-) Flow

IAC MODEL	Octave Band	1	2	3	4	5	6	7	8
	Hz	63	125	250	500	1K	2K	4K	8K
	Face Velocity, fpm								
3LFL	-2000	5	7	14	17	17	11	12	10
	-1000	4	7	13	17	17	11	11	10
	0	4	8	14	19	19	13	11	10
	1000	4	8	14	20	20	15	11	10
	2000	4	8	13	19	20	12	11	9
5LFL	-2000	6	12	19	27	28	15	15	13
	-1000	7	12	19	27	27	15	14	13
	0	7	11	18	26	26	15	13	12
	1000	6	10	17	24	25	14	12	11
	2000	5	10	16	23	25	14	12	11
7LFL	-2000	9	15	25	38	32	17	15	13
	-1000	9	14	24	38	32	17	15	14
	0	8	13	23	38	32	17	15	14
	1000	7	12	22	37	31	17	15	13
	2000	6	12	20	36	31	18	14	13
10LFL	-2000	12	20	32	43	42	20	18	15
	-1000	11	19	32	44	42	21	17	15
	0	11	18	31	44	42	21	17	15
	1000	10	17	29	44	41	21	17	15
	2000	9	16	27	44	41	21	16	15



(+) Forward Flow / (-) Reverse Flow. Aero-acoustic performance data based on NVLAP accredited laboratory tests conducted in strict accordance with ASTM E477-99. Contact IAC if attenuation in excess of 50 dB is required.

Table II: Weights and Measures

Nominal Length	W/ In H/ In	6 18	6 24	6 30	6 36	6 42	6 48	12 18	12 24	12 30	12 36	12 42	12 48	24 18	24 24	24 30
3 feet	Wt/ lb.	18	21	25	29	31	35	35	42	50	57	61	70	54	64	74
5 feet		29	35	42	47	52	59	58	70	83	94	104	117	89	104	121
7 feet		41	49	59	67	75	83	82	98	118	134	150	166	125	146	175
10 feet		59	70	84	95	-	-	117	140	167	190	-	-	178	209	250

Nominal Length	W/ In H/ In	24 36	24 42	24 48	36 18	36 24	36 30	36 36	36 42	36 48	48 18	48 24	48 30	48 36	48 42	48 48
3 feet	Wt/ lb.	82	92	102	89	106	124	139	153	172	108	128	148	164	184	204
5 feet		136	152	157	147	174	204	230	256	274	178	208	242	272	304	314
7 feet		196	218	240	207	244	293	330	-	-	-	-	-	-	-	-
10 feet		280	-	-	295	349	417	470	-	-	-	-	-	-	-	-

Table III: Aerodynamic Performance

Model	L/ Ft	Static Pressure Drop, i.w.g.															
LFL	3	0.01	0.05	0.08	0.11	0.15	0.19	0.24	0.30	0.36	0.43	0.51	0.59	0.68	0.77	0.87	0.97
	5	0.01	0.05	0.08	0.12	0.16	0.20	0.26	0.32	0.39	0.46	0.54	0.63	0.72	0.82	0.92	1.04
	7	0.01	0.05	0.09	0.12	0.17	0.22	0.28	0.34	0.41	0.49	0.57	0.67	0.77	0.87	0.98	1.10
	10	0.02	0.06	0.10	0.14	0.19	0.24	0.31	0.38	0.46	0.55	0.64	0.74	0.86	0.97	1.10	1.23
Silencer Face Velocity, fpm	400	800	1000	1200	1400	1600	1800	2000	2200	2400	2600	2800	3000	3200	3400	3600	

Table IV: Self-Noise Power Levels, dB re: 10-12 Watts

IAC Model	Octave Band	1	2	3	4	5	6	7	8
	Hz	63	125	250	500	1K	2K	4K	8K
	Silencer Face Velocity, fpm								
LFL All Sizes	-3,000	55	54	56	57	56	59	61	56
	-2,000	46	45	48	49	50	54	49	42
	-1,000	31	30	34	35	40	45	28	20
	1,000	32	24	32	25	34	39	24	20
	2,000	47	42	46	44	46	51	46	38
	3,000	56	53	54	55	53	58	59	53

(+) Forward Flow / (-) Reverse Flow. Aero-acoustic performance data based on NVLAP accredited laboratory tests conducted in strict accordance with ASTM E477-99.

TAKE NOTE!

- Silencer Face Area is the cross-sectional area at the silencer entrance.
- Face Velocity is the CFM of airflow divided by the Face Area (in sq. ft.)
- Pressure Drop for any velocity can be calculated from this equation:
 $PD = (\text{Actual FV}/\text{Catalog FV})^2 \times (\text{Catalog PD})$
- Self Noise values shown are for a four-square-foot face area silencer.
- For each doubling of the face area add 3 dB to the self-noise values listed.
- For each halving of the face area subtract 3 dB from the self-noise values listed.
- Weights and measures are listed for limited number of available sizes.



QUIET-DUCT SILENCERS

TYPE: ML

with FORWARD and REVERSE FLOW Ratings



IAC has produced Quiet-Duct HVAC silencers for more than 50 years, and has developed many of the terms and test standards for rating silencer performance that are used today. These standards are dynamic documents that continue to change based on new developments and discoveries in the field of acoustic engineering. Today we continue our involvement in several of the industry's governing agencies, and we remain committed to ensuring that we are always providing product that is in accordance with all of the latest standards. All published acoustic and aerodynamic performance results are based on tests conducted in strict accordance with ASTM E477-99 in IAC America's NVLAP-Accredited laboratory.

DESIGNATING A SILENCER

Model: 5 ML 36 x 18

Length: 5' Type: ML Width: 36" Height: 18"

Table I. Dynamic Insertion Loss (DIL) Ratings: Forward (+) / Reverse (-) Flow

IAC MODEL	Octave Band	1	2	3	4	5	6	7	8
	Hz	63	125	250	500	1K	2K	4K	8K
	Face Velocity, fpm								
3ML	-5000	4	5	12	20	18	11	7	5
	-2000	3	5	10	19	18	12	8	6
	0	3	5	10	19	18	12	9	7
	2000	3	4	9	18	17	12	9	8
	5000	2	4	8	16	17	13	10	9
5ML	-5000	6	9	18	32	32	17	9	6
	-2000	5	8	16	31	31	17	10	7
	0	5	8	15	31	31	19	12	9
	2000	4	7	14	30	30	20	13	10
	5000	3	6	14	28	29	22	13	11
7ML	-5000	6	12	22	42	43	24	14	10
	-2000	6	11	21	41	40	23	15	10
	0	6	11	20	39	40	25	16	11
	2000	5	10	19	37	39	26	16	12
	5000	5	9	17	36	38	28	16	12
10ML	-5000	9	18	28	46	47	34	19	11
	-2000	8	17	27	47	50	33	20	12
	0	8	16	26	46	50	35	20	12
	2000	7	15	25	45	49	36	20	12
	5000	7	15	23	44	50	36	21	14



(+) Forward Flow / (-) Reverse Flow. Aero-acoustic performance data based on NVLAP accredited laboratory tests conducted in strict accordance with ASTM E477-99. Contact IAC if attenuation in excess of 50 dB is required.

Table II: Weights and Measures

Nominal Length	W/In H/In	9 18	9 24	9 30	9 36	9 42	9 48	18 18	18 24	18 30	18 36	18 42	18 48	36 18	36 24	36 30
3 feet	Wt/Lb.	35	41	52	57	65	73	52	61	71	84	94	104	69	103	120
5 feet		60	71	82	95	107	119	87	103	121	142	158	175	120	175	201
7 feet		84	100	116	133	150	167	122	144	168	200	223	247	169	246	283
10 feet		118	141	167	190	240	215	174	205	239	284	-	-	238	349	403

Nominal Length	W/In H/In	36 36	36 42	36 48	54 18	54 24	54 30	54 36	54 42	54 48	72 18	72 24	72 30	72 36	72 42	72 48
3 feet	Wt/Lb.	138	153	168	121	164	191	222	247	272	138	206	240	276	306	336
5 feet		239	265	291	207	278	322	381	423	466	239	350	402	478	530	582
7 feet		337	374	411	291	390	451	537	597	658	337	492	566	674	748	822
10 feet		475	-	-	412	554	642	759	-	-	475	698	806	950	-	-

Table III: Aerodynamic Performance

Model	L/Ft	Static Pressure Drop, i.w.g.															
ML	3	0.05	0.07	0.10	0.13	0.16	0.20	0.24	0.28	0.33	0.38	0.44	0.50	0.57	0.64	0.71	0.78
	5	0.06	0.08	0.12	0.15	0.19	0.24	0.28	0.34	0.40	0.46	0.53	0.60	0.68	0.76	0.85	0.94
	7	0.07	0.11	0.14	0.19	0.24	0.29	0.36	0.42	0.50	0.58	0.66	0.75	0.85	0.95	1.06	1.18
	10	0.09	0.13	0.18	0.23	0.29	0.36	0.44	0.52	0.61	0.71	0.82	0.93	1.05	1.18	1.31	1.45
Silencer Face Velocity, fpm		1000	1200	1400	1600	1800	2000	2200	2400	2600	2800	3000	3200	3400	3600	3800	4000

Table IV: Self-Noise Power Levels, dB re: 10-12 Watts

IAC Model	Octave Band	1	2	3	4	5	6	7	8
	Hz	63	125	250	500	1K	2K	4K	8K
	Silencer Face Velocity, fpm								
ML All Sizes	-3,000	64	59	59	63	60	62	63	59
	-2,000	56	53	52	53	56	58	52	44
	-1,000	42	42	41	38	49	50	37	20
	1,000	39	35	30	27	26	28	28	20
	2,000	58	52	46	43	42	45	45	39
	3,000	71	61	55	53	51	55	56	52

(+) Forward Flow / (-) Reverse Flow. Aero-acoustic performance data based on NVLAP accredited laboratory tests conducted in strict accordance with ASTM E477-99.

TAKE NOTE!

- Silencer Face Area is the cross-sectional area at the silencer entrance.
- Face Velocity is the CFM of airflow divided by the Face Area (in sq. ft.)
- Pressure Drop for any velocity can be calculated from this equation:
 $PD = (\text{Actual FV}/\text{Catalog FV})^2 \times (\text{Catalog PD})$
- Self Noise values shown are for a three-square-foot face area silencer.
- For each doubling of the face area add 3 dB to the self-noise values listed.
- For each halving of the face area subtract 3 dB from the self-noise values listed.
- Weights and measures are listed for limited number of available sizes.



QUIET-DUCT SILENCERS

TYPE: L

with FORWARD and REVERSE FLOW Ratings



IAC has produced Quiet-Duct HVAC silencers for more than 50 years, and has developed many of the terms and test standards for rating silencer performance that are used today. These standards are dynamic documents that continue to change based on new developments and discoveries in the field of acoustic engineering. Today we continue our involvement in several of the industry's governing agencies, and we remain committed to ensuring that we are always providing product that is in accordance with all of the latest standards. All published acoustic and aerodynamic performance results are based on tests conducted in strict accordance with ASTM E477-99 in IAC America's NVLAP-Accredited laboratory.

DESIGNATING A SILENCER

Model: 5 L 24 x 18

Length: 5' Type: L Width: 24" Height: 18"

Table I. Dynamic Insertion Loss (DIL) Ratings: Forward (+) / Reverse (-) Flow

IAC MODEL	Octave Band	1	2	3	4	5	6	7	8
	Hz	63	125	250	500	1K	2K	4K	8K
	Face Velocity, fpm								
3L	-5000	4	7	10	16	23	18	12	7
	-2000	3	5	9	15	22	19	12	8
	0	3	5	9	15	22	21	13	9
	2000	3	5	8	14	21	22	13	9
	5000	2	4	7	13	19	22	14	10
5L	-5000	6	10	15	25	33	32	16	9
	-2000	5	8	14	24	32	32	16	10
	0	5	8	14	23	31	34	17	12
	2000	5	7	13	22	30	35	18	13
	5000	4	6	11	20	28	35	19	13
7L	-5000	7	15	20	33	42	39	21	12
	-2000	6	12	18	31	42	40	20	13
	0	6	12	17	30	41	42	21	14
	2000	6	11	16	29	39	43	22	15
	5000	5	8	15	28	37	43	24	16
10L	-5000	9	20	28	44	47	46	28	16
	-2000	9	16	25	42	48	48	28	17
	0	9	15	24	41	48	49	29	19
	2000	9	14	23	40	48	49	29	20
	5000	8	12	21	39	47	49	32	22



(+) Forward Flow / (-) Reverse Flow. Aero-acoustic performance data based on NVLAP accredited laboratory tests conducted in strict accordance with ASTM E477-99. Contact IAC if attenuation in excess of 50 dB is required.

Table II: Weights and Measures

Nominal Length	W/ In H/ In	6 18	6 24	6 30	6 36	6 42	6 48	12 18	12 24	12 30	12 36	12 42	12 48	24 18	24 24	24 30
3 feet	Wt/ lb.	29	35	42	49	56	63	43	52	62	74	83	93	71	86	102
5 feet		52	63	75	87	99	111	73	89	107	125	141	158	121	147	173
7 feet		72	88	105	122	139	156	102	125	150	176	199	226	170	207	243
10 feet		101	123	147	171	163	187	155	177	212	25	-	-	241	293	345

Nominal Length	W/ In H/ In	24 36	24 42	24 48	36 18	36 24	36 30	36 36	36 42	36 48	48 18	48 24	48 30	48 36	48 42	48 48
3 feet	Wt/ lb.	117	132	147	101	121	143	163	184	205	140	168	182	209	235	261
5 feet		204	230	256	180	211	245	279	312	346	242	284	312	353	395	438
7 feet		288	325	362	252	295	351	398	445	492	-	-	-	-	-	-
10 feet		405	-	-	-	-	-	-	-	-	-	-	-	-	-	-

Table III: Aerodynamic Performance

Model	L/ Ft	Static Pressure Drop, i.w.g.															
L	3	0.05	0.07	0.10	0.13	0.16	0.20	0.24	0.29	0.34	0.39	0.45	0.51	0.58	0.65	0.72	0.80
	5	0.06	0.08	0.11	0.14	0.18	0.22	0.27	0.32	0.37	0.43	0.50	0.56	0.64	0.71	0.79	0.88
	7	0.06	0.09	0.12	0.15	0.19	0.24	0.29	0.35	0.41	0.47	0.54	0.61	0.69	0.78	0.87	0.96
	10	0.07	0.10	0.13	0.17	0.22	0.27	0.33	0.39	0.46	0.53	0.61	0.69	0.78	0.87	0.97	1.08
Silencer Face Velocity, fpm	1000	1200	1400	1600	1800	2000	2200	2400	2600	2800	3000	3200	3400	3600	3800	4000	

Table IV: Self-Noise Power Levels, dB re: 10-12 Watts

IAC Model	Octave Band	1	2	3	4	5	6	7	8
	Hz	63	125	250	500	1K	2K	4K	8K
	Silencer Face Velocity, fpm								
L All Sizes	-3,000	64	59	58	62	60	62	62	58
	-2,000	55	52	52	53	56	56	56	43
	-1,000	41	41	41	38	49	48	38	20
	1,000	38	31	37	32	32	36	24	20
	2,000	57	51	51	49	47	50	44	35
	3,000	68	63	59	60	56	58	56	50

(+) Forward Flow / (-) Reverse Flow. Aero-acoustic performance data based on NVLAP accredited laboratory tests conducted in strict accordance with ASTM E477-99.

TAKE NOTE!

- Silencer Face Area is the cross-sectional area at the silencer entrance.
- Face Velocity is the CFM of airflow divided by the Face Area (in sq. ft.)
- Pressure Drop for any velocity can be calculated from this equation:
 $PD = (Actual\ FV / Catalog\ FV)^2 \times (Catalog\ PD)$
- Self Noise values shown are for a four-square-foot face area silencer.
- For each doubling of the face area add 3 dB to the self-noise values listed.
- For each halving of the face area subtract 3 dB from the self-noise values listed.
- Weights and measures are listed for limited number of available sizes.



QUIET-DUCT CLEAN-FLOW™ SILENCERS

1.01 GENERAL

- A. Furnish and install "Clean-Flow" (rectangular) silencers of the types and sizes shown on the plans and/or listed in the schedule. Silencers shall be the product of Industrial Acoustics Company. Any specification change must be submitted in writing and approved by the Architect/Engineer, in writing, at least 10 days prior to the bid due-date.

2.01 MATERIALS

- A. Outer casings of rectangular silencers shall be made of 22 gauge type #G-90 lock-former-quality galvanized steel.
- B. Interior partitions for rectangular silencers shall be not less than 26 gauge type #G-90 galvanized lock-former-quality perforated steel.
- C. Filler material shall be inorganic glass fiber of a proper density to obtain the specified acoustic performance and be packed under not less than 5% compression to eliminate voids due to vibration and settling. Material shall be inert, vermin- and moisture-proof. Filler material shall be totally encapsulated and sealed with polymeric film of an appropriate thickness. The encapsulated fill material shall be separated from the interior perforated baffles by means of a non-combustible, erosion resistant, factory-installed, acoustic stand-off. It shall not be acceptable to omit the acoustic stand-off and try to compensate for its absence by means of corrugated baffles.
- D. Combustion ratings for the silencer acoustic fill shall be not greater than the following when tested to ASTM E 84, NFPA Standard 255, or UL No. 723:

Flamespread Classification	20
Smoke Development Rating	20

3.01 CONSTRUCTION

- A. Units shall be constructed in accordance with the ASHRAE Guide recommendations for high pressure duct work. Seams shall be lock formed and mastic filled. Rectangular casing seams shall be in the corners of the silencer shell to provide maximum unit strength and rigidity. Interior partitions shall be fabricated from single-piece, margin-perforated sheets and shall have die-formed entrance and exit shapes so as to provide the maximum aerodynamic efficiency and minimum self-noise characteristics in the sound attenuator. Blunt noses or squared off partitions will not be accepted.
- B. Attachment of the interior partitions to the casing shall be by means of an interlocking track assembly. Tracks shall be solid galvanized steel and shall be welded to the outer casing. Attachment of the interior partitions to the tracks shall be such that a minimum of 4 thicknesses of metal exist at this location. The track assembly shall stiffen the exterior casing, provide a reinforced attachment detail for the interior partitions, and shall maintain a uniform airspace width along the length of the silencer for consistent aerodynamic and

acoustic performance. Interior partitions shall be additionally secured to the outer casing with welded nose clips at both ends of the sound attenuator.

- C. Sound attenuating units shall not fail structurally when subjected to a differential air pressure of 8 inches water gauge from inside to outside the casing. Airtight construction shall be provided by use of a duct sealing compound on the job-site material and labor furnished by the contractor.

4.01 ACOUSTIC PERFORMANCE

- A. All silencer ratings shall be determined in a duct-to-reverberant room test facility which provides for airflow in both directions through the test silencer in accordance with ASTM Specification E477-99. The test facility shall be NVLAP accredited for the ASTM E477-99 test standard. Data from a non-accredited laboratory will not be acceptable. The test set-up and procedure shall be such that all effects due to end reflection, directivity, flanking transmission, standing waves and test chamber sound absorption are eliminated. Acoustic ratings shall include Dynamic Insertion Loss (DIL) and Self-Noise (SN) Power Levels both for FORWARD FLOW (air and noise in same direction) and REVERSE FLOW (air and noise in opposite directions) with airflow of at least 2000 fpm entering face velocity. Data for rectangular and tubular type silencers shall be presented for tests conducted using silencers no smaller than the following cross-sections:

Rectangular, inch:	24x24,	24x30,	or	24x36,	and
Tubular, inch:	12,	24,	36,	and	48

5.01 AERODYNAMIC PERFORMANCE

- A. Static pressure loss of silencers shall not exceed those listed in the silencer schedule as the airflow indicates. Airflow measurements shall be made in accordance with ASTM specification E477-99 and applicable portions of ASME, AMCA, and ADC airflow test codes. Tests shall be reported on the identical units for which acoustic data is presented.

6.01 CERTIFICATION

- A. With submittals, the manufacturer shall supply certified test data on Dynamic Insertion Loss, Self-Noise Power Levels, and Aerodynamic Performance for Reverse and Forward Flow test conditions. Test data shall be for a standard product. All rating tests shall be conducted in the same facility, shall utilize the same silencer, and shall be open to inspection upon request from the Architect/Engineer.

7.01 DUCT TRANSITIONS

- A. When transitions are required to adapt silencer dimensions to connecting duct work they shall be furnished by the installing contractor.



QUIET-DUCT CLEAN-FLOW™ SILENCERS

TYPE: HLFS

with FORWARD and REVERSE FLOW Ratings



IAC has produced Quiet-Duct HVAC silencers for more than 50 years, and has developed many of the terms and test standards for rating silencer performance that are used today. These standards are dynamic documents that continue to change based on new developments and discoveries in the field of acoustic engineering. Today we continue our involvement in several of the industry's governing agencies, and we remain committed to ensuring that we are always providing product that is in accordance with all of the latest standards. All published acoustic and aerodynamic performance results are based on tests conducted in strict accordance with ASTM E477-99 in IAC America's NVLAP-Accredited laboratory.

DESIGNATING A SILENCER

Model: 5 HLFS 24 x 18

Length: 5' Type: HLFS Width: 24" Height: 18"

Table I. Dynamic Insertion Loss (DIL) Ratings: Forward (+) / Reverse (-) Flow

IAC MODEL	Octave Band	1	2	3	4	5	6	7	8
	Hz	63	125	250	500	1K	2K	4K	8K
	Face Velocity, fpm								
3HLFS	-2000	7	13	15	20	19	18	16	10
	-1000	7	12	14	20	19	18	15	10
	0	9	14	15	21	19	18	15	11
	1000	7	11	14	20	18	15	15	10
	2000	7	11	14	18	17	16	14	9
5HLFS	-2000	11	18	22	26	25	21	19	13
	-1000	11	16	23	26	25	21	19	14
	0	12	16	23	27	25	21	19	14
	1000	12	16	23	26	25	20	18	14
	2000	13	15	22	25	24	20	17	13
7HLFS	-2000	14	17	23	29	31	29	22	16
	-1000	15	17	23	30	31	29	22	16
	0	15	18	23	28	29	27	20	15
	1000	15	18	22	25	27	24	18	14
	2000	15	20	23	26	26	23	17	13
10HLFS	-2000	17	24	29	35	38	37	28	19
	-1000	15	23	30	36	39	36	28	18
	0	15	23	30	34	38	37	27	19
	1000	15	23	30	34	38	37	27	18
	2000	17	22	28	34	37	37	28	18



(+) Forward Flow / (-) Reverse Flow. Aero-acoustic performance data based on NVLAP accredited laboratory tests conducted in strict accordance with ASTM E477-99. Contact IAC if attenuation in excess of 50 dB is required.

Table II: Weights and Measures

Nominal Length	W/ In H/ In	6 18	6 24	6 30	6 36	6 42	6 48	12 18	12 24	12 30	12 36	12 42	12 48	24 18	24 24	24 30
3 feet	Wt/ lb.	18	21	25	29	31	35	35	42	50	57	61	70	54	64	74
5 feet		29	35	42	47	52	59	58	70	83	94	104	117	89	104	121
7 feet		41	49	59	67	75	83	82	98	118	134	150	166	125	146	175
10 feet		59	70	84	95	-	-	117	140	167	190	-	-	178	209	250

Nominal Length	W/ In H/ In	24 36	24 42	24 48	36 18	36 24	36 30	36 36	36 42	36 48	48 18	48 24	48 30	48 36	48 42	48 48
3 feet	Wt/ lb.	82	92	102	89	106	124	139	153	172	108	128	148	164	184	204
5 feet		136	152	157	147	174	204	230	256	274	178	208	242	272	304	314
7 feet		196	218	240	207	244	293	330	-	-	-	-	-	-	-	-
10 feet		280	-	-	295	349	417	470	-	-	-	-	-	-	-	-

Table III: Aerodynamic Performance

Model	L/ Ft	Static Pressure Drop, i.w.g.															
HLFS	3	0.04	0.05	0.07	0.09	0.11	0.14	0.17	0.20	0.24	0.28	0.32	0.36	0.41	0.46	0.51	0.57
	5	0.04	0.06	0.08	0.10	0.13	0.16	0.19	0.22	0.26	0.31	0.35	0.40	0.45	0.51	0.56	0.62
	7	0.04	0.06	0.08	0.10	0.13	0.16	0.20	0.23	0.28	0.32	0.37	0.42	0.47	0.53	0.59	0.65
	10	0.04	0.06	0.09	0.11	0.14	0.18	0.21	0.26	0.30	0.35	0.40	0.45	0.51	0.57	0.64	0.71
Silencer Face Velocity, fpm	250	300	350	400	450	500	550	600	650	700	750	800	850	900	950	1000	

Table IV: Self-Noise Power Levels, dB re: 10-12 Watts

IAC Model	Octave Band	1	2	3	4	5	6	7	8
	Hz	63	125	250	500	1K	2K	4K	8K
	Silencer Face Velocity, fpm								
HLFS All Sizes	-2,000	58	54	58	61	62	62	65	63
	-1,500	51	49	53	56	56	59	60	53
	-1,000	45	42	45	43	45	49	44	37
	1,000	46	42	45	43	45	49	44	37
	1,500	56	54	57	56	52	56	57	51
	2,000	68	64	65	66	61	61	64	61

(+) Forward Flow / (-) Reverse Flow. Aero-acoustic performance data based on NVLAP accredited laboratory tests conducted in strict accordance with ASTM E477-99.

TAKE NOTE!

- Silencer Face Area is the cross-sectional area at the silencer entrance.
- Face Velocity is the CFM of airflow divided by the Face Area (in sq. ft.)
- Pressure Drop for any velocity can be calculated from this equation:
 $PD = (\text{Actual FV}/\text{Catalog FV})^2 \times (\text{Catalog PD})$
- Self Noise values shown are for a four-square-foot face area silencer.
- For each doubling of the face area add 3 dB to the self-noise values listed.
- For each halving of the face area subtract 3 dB from the self-noise values listed.
- Weights and measures are listed for limited number of available sizes.



QUIET-DUCT CLEAN-FLOW™ SILENCERS

TYPE: HLFM

with FORWARD and REVERSE FLOW Ratings



IAC has produced Quiet-Duct HVAC silencers for more than 50 years, and has developed many of the terms and test standards for rating silencer performance that are used today. These standards are dynamic documents that continue to change based on new developments and discoveries in the field of acoustic engineering. Today we continue our involvement in several of the industry's governing agencies, and we remain committed to ensuring that we are always providing product that is in accordance with all of the latest standards. All published acoustic and aerodynamic performance results are based on tests conducted in strict accordance with ASTM E477-99 in IAC America's NVLAP-Accredited laboratory.

DESIGNATING A SILENCER

Model: 5 HLFS 24 x 18

Length: 5' Type: HLFM Width: 24" Height: 18"

Table I. Dynamic Insertion Loss (DIL) Ratings: Forward (+) / Reverse (-) Flow

IAC MODEL	Octave Band	1	2	3	4	5	6	7	8
	Hz	63	125	250	500	1K	2K	4K	8K
	Face Velocity, fpm								
3HLFM	-2000	6	8	11	15	15	14	13	8
	-1000	6	8	11	15	15	13	12	8
	0	6	7	11	16	15	12	11	8
	1000	4	7	10	15	14	13	11	8
	2000	4	7	10	14	13	12	11	8
5HLFM	-2000	9	14	21	23	22	16	13	10
	-1000	8	13	21	23	23	16	13	10
	0	9	12	22	23	23	16	14	10
	1000	8	12	20	23	22	16	13	10
	2000	7	11	19	22	22	16	13	9
7HLFM	-2000	11	16	23	29	29	19	18	13
	-1000	11	16	24	29	29	19	19	14
	0	11	16	24	29	28	20	19	14
	1000	11	16	23	28	27	19	18	13
	2000	11	15	23	28	27	21	18	14
10HLFM	-2000	14	21	28	31	33	23	22	16
	-1000	14	21	28	31	32	24	23	17
	0	15	21	28	32	31	25	23	17
	1000	15	21	27	30	32	25	23	16
	2000	13	20	27	30	32	25	23	16



(+) Forward Flow / (-) Reverse Flow. Aero-acoustic performance data based on NVLAP accredited laboratory tests conducted in strict accordance with ASTM E477-99. Contact IAC if attenuation in excess of 50 dB is required.

Table II: Weights and Measures

Nominal Length	W/In H/In	6 18	6 24	6 30	6 36	6 42	6 48	12 18	12 24	12 30	12 36	12 42	12 48	24 18	24 24	24 30
3 feet	Wt/Lb.	18	21	25	29	31	35	35	42	50	57	61	70	54	64	74
5 feet		29	35	42	47	52	59	58	70	83	94	104	117	89	104	121
7 feet		41	49	59	67	75	83	82	98	118	134	150	166	125	146	175
10 feet		59	70	84	95	-	-	117	140	167	190	-	-	178	209	250

Nominal Length	W/In H/In	24 36	24 42	24 48	36 18	36 24	36 30	36 36	36 42	36 48	48 18	48 24	48 30	48 36	48 42	48 48
3 feet	Wt/Lb.	82	92	102	89	106	124	139	153	172	108	128	148	164	184	204
5 feet		136	152	157	147	174	204	230	256	274	178	208	242	272	304	314
7 feet		196	218	240	207	244	293	330	-	-	-	-	-	-	-	-
10 feet		280	-	-	295	349	417	470	-	-	-	-	-	-	-	-

Table III: Aerodynamic Performance

Model	L/Ft	Static Pressure Drop, i.w.g.															
HLFM	3	0.05	0.07	0.09	0.12	0.15	0.19	0.23	0.27	0.32	0.37	0.42	0.48	0.55	0.61	0.68	0.76
	5	0.05	0.07	0.10	0.13	0.16	0.20	0.24	0.29	0.34	0.39	0.45	0.51	0.57	0.64	0.72	0.79
	7	0.05	0.07	0.10	0.13	0.17	0.21	0.25	0.30	0.35	0.41	0.47	0.53	0.60	0.67	0.75	0.83
	10	0.06	0.08	0.12	0.15	0.18	0.24	0.29	0.34	0.40	0.46	0.53	0.60	0.68	0.76	0.85	0.94
Silencer Face Velocity, fpm		500	600	700	800	900	1000	1100	1200	1300	1400	1500	1600	1700	1800	1900	2000

Table IV: Self-Noise Power Levels, dB re: 10-12 Watts

IAC Model	Octave Band	1	2	3	4	5	6	7	8
	Hz	63	125	250	500	1K	2K	4K	8K
	Silencer Face Velocity, fpm								
HLFM All Sizes	-3,000	64	62	64	66	65	64	66	62
	-2,000	53	50	54	56	56	59	58	51
	-1,000	42	40	43	45	47	46	37	27
	1,000	47	34	36	35	40	37	27	20
	2,000	54	52	58	56	51	56	55	50
	3,000	68	64	64	63	61	63	66	63

(+) Forward Flow / (-) Reverse Flow. Aero-acoustic performance data based on NVLAP accredited laboratory tests conducted in strict accordance with ASTM E477-99.

TAKE NOTE!

- Silencer Face Area is the cross-sectional area at the silencer entrance.
- Face Velocity is the CFM of airflow divided by the Face Area (in sq. ft.)
- Pressure Drop for any velocity can be calculated from this equation:
 $PD = (Actual\ FV/Catalog\ FV)^2 \times (Catalog\ PD)$
- Self Noise values shown are for a four-square-foot face area silencer.
- For each doubling of the face area add 3 dB to the self-noise values listed.
- For each halving of the face area subtract 3 dB from the self-noise values listed.
- Weights and measures are listed for limited number of available sizes.



QUIET-DUCT CLEAN-FLOW™ SILENCERS

TYPE: HS

with FORWARD and REVERSE FLOW Ratings



IAC has produced Quiet-Duct HVAC silencers for more than 50 years, and has developed many of the terms and test standards for rating silencer performance that are used today. These standards are dynamic documents that continue to change based on new developments and discoveries in the field of acoustic engineering. Today we continue our involvement in several of the industry's governing agencies, and we remain committed to ensuring that we are always providing product that is in accordance with all of the latest standards. All published acoustic and aerodynamic performance results are based on tests conducted in strict accordance with ASTM E477-99 in IAC America's NVLAP-Accredited laboratory.

DESIGNATING A SILENCER

Model: 5 HLFS 24 x 18

Length: 5' Type: HS Width: 24" Height: 18"

Table I. Dynamic Insertion Loss (DIL) Ratings: Forward (+) / Reverse (-) Flow

IAC MODEL	Octave Band	1	2	3	4	5	6	7	8
	Hz	63	125	250	500	1K	2K	4K	8K
	Face Velocity, fpm								
3HS	-2000	7	12	15	22	26	30	28	14
	-1000	5	9	17	25	27	32	29	14
	0	5	7	15	33	26	30	19	14
	1000	5	6	13	21	24	28	29	13
	2000	5	8	11	17	21	26	31	13
5HS	-2000	14	15	22	27	35	42	33	15
	-1000	9	13	23	31	40	47	34	16
	0	8	11	22	29	38	46	34	16
	1000	8	12	18	28	36	44	34	14
	2000	8	12	16	23	32	40	33	15
7HS	-2000	15	18	23	31	45	49	34	13
	-1000	15	17	25	41	48	50	36	14
	0	13	15	22	39	48	50	38	15
	1000	11	12	19	38	49	50	38	17
	2000	11	11	16	31	45	50	35	16
10HS	-2000	20	22	30	34	49	50	33	11
	-1000	20	24	33	44	51	51	36	11
	0	17	20	31	42	52	51	38	15
	1000	14	16	27	40	51	50	39	19
	2000	14	17	24	34	48	50	36	17



(+) Forward Flow / (-) Reverse Flow. Aero-acoustic performance data based on NVLAP accredited laboratory tests conducted in strict accordance with ASTM E477-99. Contact IAC if attenuation in excess of 50 dB is required.

Table II: Weights and Measures

Nominal Length	W/ In H/ In	6 18	6 24	6 30	6 36	6 42	6 48	12 18	12 24	12 30	12 36	12 42	12 48	24 18	24 24	24 30
3 feet	Wt/ lb.	25	35	42	49	60	70	43	52	62	74	83	93	71	86	102
5 feet		44	63	75	87	105	126	73	89	107	125	141	158	121	147	173
7 feet		61	88	102	122	147	176	102	125	150	176	199	226	170	207	243
10 feet		86	123	150	171	206	246	155	177	212	250	-	-	241	293	345

Nominal Length	W/ In H/ In	24 36	24 42	24 48	36 18	36 24	36 30	36 36	36 42	36 48	48 18	48 24	48 30	48 36	48 42	48 48
3 feet	Wt/ lb.	117	132	147	81	102	142	162	182	204	142	172	204	234	264	294
5 feet		204	230	256	142	177.5	249	284	319	355	242	294	346	408	460	512
7 feet		288	325	362	-	-	-	-	-	-	340	414	486	576	650	724
10 feet		405	-	-	-	-	-	-	-	-	482	586	690	810	-	-

Table III: Aerodynamic Performance

Model	L/ Ft	Static Pressure Drop, i.w.g.															
HS	3	0.01	0.03	0.06	0.09	0.13	0.18	0.23	0.29	0.36	0.44	0.52	0.61	0.71	0.82	0.93	1.05
	5	0.02	0.04	0.07	0.10	0.15	0.20	0.26	0.33	0.41	0.49	0.59	0.69	0.80	0.91	1.04	1.17
	7	0.02	0.04	0.07	0.11	0.16	0.21	0.28	0.35	0.44	0.53	0.63	0.74	0.85	0.98	1.11	1.26
	10	0.02	0.04	0.08	0.12	0.18	0.24	0.32	0.40	0.49	0.60	0.71	0.83	0.97	1.11	1.26	1.43
Silencer Face Velocity, fpm	200	300	400	500	600	700	800	900	1000	1100	1200	1300	1400	1500	1600	1700	

Table IV: Self-Noise Power Levels, dB re: 10-12 Watts

IAC Model	Octave Band	1	2	3	4	5	6	7	8
	Hz	63	125	250	500	1K	2K	4K	8K
	Silencer Face Velocity, fpm								
HS All Sizes	-2,000	68	62	61	66	61	64	67	66
	-1,000	54	51	50	51	54	56	52	40
	-500	40	40	39	36	47	48	37	20
	500	36	29	35	30	31	35	22	20
	1,000	55	49	49	47	46	49	42	32
	2,000	74	69	63	64	61	63	62	56

(+) Forward Flow / (-) Reverse Flow. Aero-acoustic performance data based on NVLAP accredited laboratory tests conducted in strict accordance with ASTM E477-99.

TAKE NOTE!

- Silencer Face Area is the cross-sectional area at the silencer entrance.
- Face Velocity is the CFM of airflow divided by the Face Area (in sq. ft.)
- Pressure Drop for any velocity can be calculated from this equation:
 $PD = (\text{Actual FV}/\text{Catalog FV})^2 \times (\text{Catalog PD})$
- Self Noise values shown are for a four-square-foot face area silencer.
- For each doubling of the face area add 3 dB to the self-noise values listed.
- For each halving of the face area subtract 3 dB from the self-noise values listed.
- Weights and measures are listed for limited number of available sizes.



QUIET-DUCT CLEAN-FLOW™ SILENCERS

TYPE: HMS

with FORWARD and REVERSE FLOW Ratings



IAC has produced Quiet-Duct HVAC silencers for more than 50 years, and has developed many of the terms and test standards for rating silencer performance that are used today. These standards are dynamic documents that continue to change based on new developments and discoveries in the field of acoustic engineering. Today we continue our involvement in several of the industry's governing agencies, and we remain committed to ensuring that we are always providing product that is in accordance with all of the latest standards. All published acoustic and aerodynamic performance results are based on tests conducted in strict accordance with ASTM E477-99 in IAC America's NVLAP-Accredited laboratory.

DESIGNATING A SILENCER

Model: 5 HMS 24 x 18

Length: 5' Type: HMS Width: 24" Height: 18"

Table I. Dynamic Insertion Loss (DIL) Ratings: Forward (+) / Reverse (-) Flow

IAC MODEL	Octave Band	1	2	3	4	5	6	7	8
	Hz	63	125	250	500	1K	2K	4K	8K
	Face Velocity, fpm								
3HMS	-4000	4	6	10	15	18	22	16	8
	-2000	5	6	9	15	17	21	17	8
	0	5	6	9	15	17	18	17	8
	2000	4	4	8	14	17	17	16	8
	4000	4	3	7	13	16	18	17	8
5HMS	-4000	6	10	15	29	29	30	23	9
	-2000	4	8	14	27	29	29	23	9
	0	4	9	13	25	29	28	23	10
	2000	3	7	11	24	27	27	22	12
	4000	3	6	10	22	28	28	22	12
7HMS	-4000	8	15	21	31	30	39	28	11
	-2000	7	12	18	33	35	38	28	11
	0	7	13	17	32	34	37	26	12
	2000	7	11	16	30	33	34	24	13
	4000	6	11	15	29	34	35	26	14
10HMS	-4000	11	14	25	30	36	40	32	15
	-2000	11	14	24	32	36	43	33	14
	0	12	14	23	33	35	41	30	15
	2000	10	12	23	32	34	40	28	16
	4000	9	13	21	31	32	37	30	18



(+) Forward Flow / (-) Reverse Flow. Aero-acoustic performance data based on NVLAP accredited laboratory tests conducted in strict accordance with ASTM E477-99. Contact IAC if attenuation in excess of 50 dB is required.

Table II: Weights and Measures

Nominal Length	W/ In H/ In	7.5 18	7.5 24	7.5 30	7.5 36	7.5 42	7.5 48	15 18	15 24	15 30	15 36	15 42	15 48	30 18	30 24	30 30
3 feet	Wt/ lb.	26	40	45	51	66	80	47	57	67	80	89	100	80	95	110
5 feet		46	67	80	91	112	134	80	96	114	134	150	167	135	161	187
7 feet		65	95	100	129	158	190	112	135	159	193	216	240	188	224	261
10 feet		90	135	157	180	223	270	159	192	226	273	-	-	220	319	371

Nominal Length	W/ In H/ In	30 36	30 42	30 48	45 18	45 24	45 30	45 36	45 42	45 48	60 18	60 24	60 30	60 36	60 42	60 48
3 feet	Wt/ lb.	130	145	160	127	152	156	177	197	218	160	190	220	260	290	320
5 feet		22	248	274	215	257	275	310	345	381	270	322	374	44	496	548
7 feet		310	347	384	300	359	-	-	-	-	376	448	522	620	694	768
10 feet		440	-	-	-	-	-	-	-	-	440	638	742	880	-	-

Table III: Aerodynamic Performance

Model	L/ Ft	Static Pressure Drop, i.w.g.															
HMS	3	0.06	0.08	0.10	0.12	0.14	0.17	0.20	0.23	0.26	0.29	0.33	0.36	0.40	0.44	0.49	0.53
	5	0.08	0.10	0.12	0.15	0.17	0.20	0.24	0.27	0.31	0.35	0.39	0.44	0.48	0.53	0.58	0.64
	7	0.10	0.12	0.15	0.18	0.22	0.26	0.30	0.34	0.39	0.44	0.49	0.54	0.60	0.67	0.73	0.80
	10	0.12	0.15	0.19	0.23	0.27	0.31	0.36	0.42	0.48	0.54	0.60	0.67	0.74	0.82	0.90	0.98
Silencer Face Velocity, fpm	800	900	1000	1100	1200	1300	1400	1500	1600	1700	1800	1900	2000	2100	2200	2300	

Table IV: Self-Noise Power Levels, dB re: 10-12 Watts

IAC Model	Octave Band	1	2	3	4	5	6	7	8
	Hz	63	125	250	500	1K	2K	4K	8K
	Silencer Face Velocity, fpm								
HMS All Sizes	-3,000	67	63	61	66	61	64	67	67
	-2,000	60	56	56	56	57	59	58	49
	-1,000	46	45	45	41	50	51	43	23
	1,000	44	32	36	34	31	32	29	21
	2,000	63	54	52	50	47	48	47	44
	3,000	74	64	60	58	56	58	59	57

(+) Forward Flow / (-) Reverse Flow. Aero-acoustic performance data based on NVLAP accredited laboratory tests conducted in strict accordance with ASTM E477-99.

TAKE NOTE!

- Silencer Face Area is the cross-sectional area at the silencer entrance.
- Face Velocity is the CFM of airflow divided by the Face Area (in sq. ft.)
- Pressure Drop for any velocity can be calculated from this equation:
 $PD = (\text{Actual FV}/\text{Catalog FV})^2 \times (\text{Catalog PD})$
- Self Noise values shown are for a four-square-foot face area silencer.
- For each doubling of the face area add 3 dB to the self-noise values listed.
- For each halving of the face area subtract 3 dB from the self-noise values listed.
- Weights and measures are listed for limited number of available sizes.



QUIET-DUCT CLEAN-FLOW™ SILENCERS

TYPE: HLFL

with FORWARD and REVERSE FLOW Ratings



IAC has produced Quiet-Duct HVAC silencers for more than 50 years, and has developed many of the terms and test standards for rating silencer performance that are used today. These standards are dynamic documents that continue to change based on new developments and discoveries in the field of acoustic engineering. Today we continue our involvement in several of the industry's governing agencies, and we remain committed to ensuring that we are always providing product that is in accordance with all of the latest standards. All published acoustic and aerodynamic performance results are based on tests conducted in strict accordance with ASTM E477-99 in IAC America's NVLAP-Accredited laboratory.

DESIGNATING A SILENCER

Model: 5 HLFL 24 x 18

Length: 5' Type: HLFL Width: 24" Height: 18"

Table I. Dynamic Insertion Loss (DIL) Ratings: Forward (+) / Reverse (-) Flow

IAC MODEL	Octave Band	1	2	3	4	5	6	7	8
	Hz	63	125	250	500	1K	2K	4K	8K
	Face Velocity, fpm								
3HLFL	-2000	4	6	10	13	16	11	11	6
	-1000	3	6	9	13	16	11	10	7
	0	3	6	10	16	16	13	10	7
	1000	3	6	10	17	18	15	10	7
	2000	3	6	9	16	18	12	10	5
5HLFL	-2000	6	8	15	20	23	16	14	10
	-1000	7	9	15	20	23	17	13	10
	0	6	8	14	20	22	15	13	9
	1000	5	7	14	19	22	14	12	8
	2000	4	7	14	17	21	15	12	8
7HLFL	-2000	7	12	18	25	27	25	16	11
	-1000	6	12	17	26	27	25	17	12
	0	6	12	16	26	26	24	16	11
	1000	6	10	16	25	25	24	18	11
	2000	6	10	15	23	24	26	16	11
10HLFL	-2000	10	15	24	33	36	25	19	12
	-1000	8	15	24	35	36	26	18	12
	0	8	14	23	33	34	26	17	12
	1000	8	13	22	33	33	26	17	12
	2000	8	12	21	32	33	26	16	12



(+) Forward Flow / (-) Reverse Flow. Aero-acoustic performance data based on NVLAP accredited laboratory tests conducted in strict accordance with ASTM E477-99. Contact IAC if attenuation in excess of 50 dB is required.

Table II: Weights and Measures

Nominal Length	W/ In H/ In	6 18	6 24	6 30	6 36	6 42	6 48	12 18	12 24	12 30	12 36	12 42	12 48	24 18	24 24	24 30
3 feet	Wt/ lb.	18	21	25	29	31	35	35	42	50	57	61	70	54	64	74
5 feet		29	35	42	47	52	59	58	70	83	94	104	117	89	104	121
7 feet		41	49	59	67	75	83	82	98	118	134	150	166	125	146	175
10 feet		59	70	84	95	-	-	117	140	167	190	-	-	178	209	250

Nominal Length	W/ In H/ In	24 36	24 42	24 48	36 18	36 24	36 30	36 36	36 42	36 48	48 18	48 24	48 30	48 36	48 42	48 48
3 feet	Wt/ lb.	82	92	102	89	106	124	139	153	172	108	128	148	164	184	204
5 feet		136	152	157	147	174	204	230	256	274	178	208	242	272	304	314
7 feet		196	218	240	207	244	293	330	-	-	-	-	-	-	-	-
10 feet		280	-	-	295	349	417	470	-	-	-	-	-	-	-	-

Table III: Aerodynamic Performance

Model	L/ Ft	Static Pressure Drop, i.w.g.															
HLFL	3	0.01	0.05	0.08	0.11	0.15	0.19	0.24	0.30	0.36	0.43	0.51	0.59	0.68	0.77	0.87	0.97
	5	0.01	0.05	0.08	0.12	0.16	0.20	0.26	0.32	0.39	0.46	0.54	0.63	0.72	0.82	0.92	1.04
	7	0.01	0.05	0.09	0.12	0.17	0.22	0.28	0.34	0.41	0.49	0.57	0.67	0.77	0.87	0.98	1.10
	10	0.02	0.06	0.10	0.14	0.19	0.24	0.31	0.38	0.46	0.55	0.64	0.74	0.86	0.97	1.10	1.23
Silencer Face Velocity, fpm	400	800	1000	1200	1400	1600	1800	2000	2200	2400	2600	2800	3000	3200	3400	3600	

Table IV: Self-Noise Power Levels, dB re: 10-12 Watts

IAC Model	Octave Band	1	2	3	4	5	6	7	8
	Hz	63	125	250	500	1K	2K	4K	8K
	Silencer Face Velocity, fpm								
HLFL All Sizes	-3,000	55	54	56	57	56	59	61	56
	-2,000	46	45	48	49	50	54	49	42
	-1,000	31	30	34	35	40	45	28	20
	1,000	32	24	32	25	34	39	24	20
	2,000	47	42	46	44	46	51	46	38
	3,000	56	53	54	55	53	58	59	53

(+) Forward Flow / (-) Reverse Flow. Aero-acoustic performance data based on NVLAP accredited laboratory tests conducted in strict accordance with ASTM E477-99.

TAKE NOTE!

- Silencer Face Area is the cross-sectional area at the silencer entrance.
- Face Velocity is the CFM of airflow divided by the Face Area (in sq. ft.)
- Pressure Drop for any velocity can be calculated from this equation:
 $PD = (\text{Actual FV}/\text{Catalog FV})^2 \times (\text{Catalog PD})$
- Self Noise values shown are for a four-square-foot face area silencer.
- For each doubling of the face area add 3 dB to the self-noise values listed.
- For each halving of the face area subtract 3 dB from the self-noise values listed.
- Weights and measures are listed for limited number of available sizes.



QUIET-DUCT CLEAN-FLOW™ SILENCERS

TYPE: HML

with FORWARD and REVERSE FLOW Ratings



IAC has produced Quiet-Duct HVAC silencers for more than 50 years, and has developed many of the terms and test standards for rating silencer performance that are used today. These standards are dynamic documents that continue to change based on new developments and discoveries in the field of acoustic engineering. Today we continue our involvement in several of the industry's governing agencies, and we remain committed to ensuring that we are always providing product that is in accordance with all of the latest standards. All published acoustic and aerodynamic performance results are based on tests conducted in strict accordance with ASTM E477-99 in IAC America's NVLAP-Accredited laboratory.

DESIGNATING A SILENCER

Model: 5 HML 24 x 18

Length: 5' Type: HML Width: 24" Height: 18"

Table I. Dynamic Insertion Loss (DIL) Ratings: Forward (+) / Reverse (-) Flow

IAC MODEL	Octave Band	1	2	3	4	5	6	7	8
	Hz	63	125	250	500	1K	2K	4K	8K
	Face Velocity, fpm								
3HML	-5000	4	4	7	14	12	7	8	4
	-2000	3	4	7	13	12	8	8	4
	0	3	4	7	13	12	7	9	5
	2000	3	2	6	12	11	8	9	6
	5000	2	3	6	11	11	8	10	
5HML	-5000	5	7	12	25	25	11	7	5
	-2000	4	6	12	23	24	11	8	5
	0	4	6	11	23	24	13	10	7
	2000	3	5	10	22	23	15	12	9
	5000	3	6	10	20	24	14	12	9
7HML	-5000	5	9	16	30	30	18	16	10
	-2000	6	8	15	29	31	17	15	9
	0	6	9	14	27	31	18	16	10
	2000	5	7	12	24	31	21	16	11
	5000	5	7	10	25	29	21	16	11
10HML	-5000	9	12	20	32	34	24	15	12
	-2000	8	12	19	33	37	23	16	12
	0	9	12	18	31	36	25	16	12
	2000	7	11	17	31	35	26	17	12
	5000	8	10	17	32	36	26	17	14



(+) Forward Flow / (-) Reverse Flow. Aero-acoustic performance data based on NVLAP accredited laboratory tests conducted in strict accordance with ASTM E477-99. Contact IAC if attenuation in excess of 50 dB is required.

Table II: Weights and Measures

Nominal Length	W/ In H/ In	9 18	9 24	9 30	9 36	9 42	9 48	18 18	18 24	18 30	18 36	18 42	18 48	36 18	36 24	36 30
3 feet	Wt/ lb.	35	41	52	57	65	73	52	61	71	84	94	104	69	103	120
5 feet		60	71	82	95	107	119	87	103	121	142	158	175	119.5	175	201
7 feet		84	100	116	133	150	167	122	144	168	200	223	247	168.5	246	283
10 feet		118	141	167	190	240	215	174	205	239	284	-	-	237.5	349	403

Nominal Length	W/ In H/ In	36 36	36 42	36 48	54 18	54 24	54 30	54 36	54 42	54 48	72 18	72 24	72 30	72 36	72 42	72 48
3 feet	Wt/ lb.	138	153	168	121	164	191	222	247	272	138	206	240	276	306	336
5 feet		239	265	291	206.5	278	322	381	423	466	239	350	402	478	530	582
7 feet		337	374	411	290.5	390	451	537	597	658	337	492	566	674	748	822
10 feet		475	-	-	411.5	554	642	759	-	-	475	698	806	950	-	-

Table III: Aerodynamic Performance

Model	L/ Ft	Static Pressure Drop, i.w.g.															
HML	3	0.05	0.07	0.10	0.13	0.16	0.20	0.24	0.28	0.33	0.38	0.44	0.50	0.57	0.64	0.71	0.78
	5	0.06	0.08	0.12	0.15	0.19	0.24	0.28	0.34	0.40	0.46	0.53	0.60	0.68	0.76	0.85	0.94
	7	0.07	0.11	0.14	0.19	0.24	0.29	0.36	0.42	0.50	0.58	0.66	0.75	0.85	0.95	1.06	1.18
	10	0.09	0.13	0.18	0.23	0.29	0.36	0.44	0.52	0.61	0.71	0.82	0.93	1.05	1.18	1.31	1.45
Silencer Face Velocity, fpm	1000	1200	1400	1600	1800	2000	2200	2400	2600	2800	3000	3200	3400	3600	3800	4000	

Table IV: Self-Noise Power Levels, dB re: 10-12 Watts

IAC Model	Octave Band	1	2	3	4	5	6	7	8
	Hz	63	125	250	500	1K	2K	4K	8K
	Silencer Face Velocity, fpm								
HML All Sizes	-3,000	64	59	59	63	60	62	63	59
	-2,000	56	53	52	53	56	58	52	44
	-1,000	42	42	41	38	49	50	37	20
	1,000	39	35	30	27	26	28	28	20
	2,000	58	52	46	43	42	45	45	39
	3,000	71	61	55	53	51	55	56	52

(+) Forward Flow / (-) Reverse Flow. Aero-acoustic performance data based on NVLAP accredited laboratory tests conducted in strict accordance with ASTM E477-99.

TAKE NOTE!

- Silencer Face Area is the cross-sectional area at the silencer entrance.
- Face Velocity is the CFM of airflow divided by the Face Area (in sq. ft.)
- Pressure Drop for any velocity can be calculated from this equation:
 $PD = (\text{Actual FV}/\text{Catalog FV})^2 \times (\text{Catalog PD})$
- Self Noise values shown are for a four-square-foot face area silencer.
- For each doubling of the face area add 3 dB to the self-noise values listed.
- For each halving of the face area subtract 3 dB from the self-noise values listed.
- Weights and measures are listed for limited number of available sizes.



QUIET-DUCT CLEAN-FLOW™ SILENCERS

TYPE: HL

with FORWARD and REVERSE FLOW Ratings



IAC has produced Quiet-Duct HVAC silencers for more than 50 years, and has developed many of the terms and test standards for rating silencer performance that are used today. These standards are dynamic documents that continue to change based on new developments and discoveries in the field of acoustic engineering. Today we continue our involvement in several of the industry's governing agencies, and we remain committed to ensuring that we are always providing product that is in accordance with all of the latest standards. All published acoustic and aerodynamic performance results are based on tests conducted in strict accordance with ASTM E477-99 in IAC America's NVLAP-Accredited laboratory.

DESIGNATING A SILENCER

Model: 5 HL 24 x 18

Length: 5' Type: HL Width: 24" Height: 18"

Table I. Dynamic Insertion Loss (DIL) Ratings: Forward (+) / Reverse (-) Flow

IAC MODEL	Octave Band	1	2	3	4	5	6	7	8
	Hz	63	125	250	500	1K	2K	4K	8K
	Face Velocity, fpm								
3HL	-5000	1	2	3	8	9	20	17	10
	-2000	2	3	3	8	8	19	17	9
	0	3	4	4	8	8	18	17	8
	2000	2	4	3	7	7	17	17	6
	5000	2	4	3	5	4	12	16	5
5HL	-5000	5	9	12	18	25	32	26	10
	-2000	5	8	10	17	24	37	23	10
	0	5	8	10	16	22	36	22	10
	2000	4	6	7	15	20	33	22	9
	5000	4	5	6	11	16	28	23	8
7HL	-5000	5	10	13	21	27	32	20	10
	-2000	6	7	10	19	25	42	21	10
	0	6	8	10	18	24	41	21	9
	2000	5	7	9	16	20	38	21	8
	5000	4	6	6	13	17	32	22	8
10HL	-5000	7	12	16	26	28	30	18	9
	-2000	9	8	12	24	29	44	20	9
	0	9	8	12	23	29	46	20	9
	2000	8	6	11	22	28	47	20	8
	5000	5	6	7	18	23	40	21	9



(+) Forward Flow / (-) Reverse Flow. Aero-acoustic performance data based on NVLAP accredited laboratory tests conducted in strict accordance with ASTM E477-99. Contact IAC if attenuation in excess of 50 dB is required.

Table II: Weights and Measures

Nominal Length	W/ In H/ In	6 18	6 24	6 30	6 36	6 42	6 48	12 18	12 24	12 30	12 36	12 42	12 48	24 18	24 24	24 30
3 feet	Wt/ lb.	29	35	42	49	56	63	43	52	62	74	83	93	71	86	102
5 feet		52	63	75	87	99	111	73	89	107	125	141	158	121	147	173
7 feet		72	88	105	122	139	156	102	125	150	176	199	226	170	207	243
10 feet		101	123	147	171	163	187	155	177	212	25	-	-	241	293	345

Nominal Length	W/ In H/ In	24 36	24 42	24 48	36 18	36 24	36 30	36 36	36 42	36 48	48 18	48 24	48 30	48 36	48 42	48 48
3 feet	Wt/ lb.	117	132	147	101	121	143	163	184	205	140	168	182	209	235	261
5 feet		204	230	256	180	211	245	279	312	346	242	284	312	353	395	438
7 feet		288	325	362	252	295	351	398	445	492	-	-	-	-	-	-
10 feet		405	-	-	-	-	-	-	-	-	-	-	-	-	-	-

Table III: Aerodynamic Performance

Model	L/ Ft	Static Pressure Drop, i.w.g.															
HL	3	0.05	0.07	0.10	0.13	0.16	0.20	0.24	0.29	0.34	0.39	0.45	0.51	0.58	0.65	0.72	0.80
	5	0.06	0.08	0.11	0.14	0.18	0.22	0.27	0.32	0.37	0.43	0.50	0.56	0.64	0.71	0.79	0.88
	7	0.06	0.09	0.12	0.15	0.19	0.24	0.29	0.35	0.41	0.47	0.54	0.61	0.69	0.78	0.87	0.96
	10	0.07	0.10	0.13	0.17	0.22	0.27	0.33	0.39	0.46	0.53	0.61	0.69	0.78	0.87	0.97	1.08
Silencer Face Velocity, fpm	1000	1200	1400	1600	1800	2000	2200	2400	2600	2800	3000	3200	3400	3600	3800	4000	

Table IV: Self-Noise Power Levels, dB re: 10-12 Watts

IAC Model	Octave Band	1	2	3	4	5	6	7	8
	Hz	63	125	250	500	1K	2K	4K	8K
	Silencer Face Velocity, fpm								
HL All Sizes	-3,000	64	59	58	62	60	62	62	58
	-2,000	55	52	52	53	56	56	56	43
	-1,000	41	41	41	38	49	48	38	20
	1,000	38	31	37	32	32	36	24	20
	2,000	57	51	51	49	47	50	44	35
	3,000	68	63	59	60	56	58	56	50

(+) Forward Flow / (-) Reverse Flow. Aero-acoustic performance data based on NVLAP accredited laboratory tests conducted in strict accordance with ASTM E477-99.

TAKE NOTE!

- Silencer Face Area is the cross-sectional area at the silencer entrance.
- Face Velocity is the CFM of airflow divided by the Face Area (in sq. ft.)
- Pressure Drop for any velocity can be calculated from this equation:
 $PD = (\text{Actual FV}/\text{Catalog FV})^2 \times (\text{Catalog PD})$
- Self Noise values shown are for a four-square-foot face area silencer.
- For each doubling of the face area add 3 dB to the self-noise values listed.
- For each halving of the face area subtract 3 dB from the self-noise values listed.
- Weights and measures are listed for limited number of available sizes.



QUIET-DUCT CONIC-FLOW® SILENCERS

1.01 GENERAL

- A. Furnish and install "Conic-Flow" (tubular) silencers of the types and sizes shown on the plans and/or listed in the schedule. Silencers shall be the product of Industrial Acoustics Company. Any specification change must be submitted in writing and approved by the Architect/Engineer, in writing, at least 10 days prior to the bid due-date.

2.01 MATERIALS

- A. Outer casings of tubular silencers shall be made of type #G-90 lock-former-quality galvanized steel in the following gauges:

Outside Diameter, in.	Metal Gauge	Outside Diameter, in.	Metal Gauge
12-36	22	38-60	18

- B. Interior construction of tubular silencers shall be compatible with the respective outside casing.
- C. Filler material shall be inorganic glass fiber of a proper density to obtain the specified acoustic performance and be packed under not less than 5% compression to eliminate voids due to vibration and settling. Material shall be inert, vermin- and moisture-proof.
- D. Combustion ratings for the silencer acoustic fill shall be not greater than the following when tested to ASTM E 84, NFPA Standard 255, or UL No. 723:

Flamespread Classification	20
Smoke Development Rating	20

3.01 CONSTRUCTION

- A. Units shall be constructed in accordance with the ASHRAE Guide recommendations for high pressure duct work. Seams shall be lock formed and mastic filled. Rectangular casing seams shall be in the corners of the silencer shell to provide maximum unit strength and rigidity. Interior partitions shall be fabricated from single-piece, margin-perforated sheets and shall have die-formed entrance and exit shapes so as to provide the maximum aerodynamic efficiency and minimum self-noise characteristics in the sound attenuator. Blunt noses or squared off partitions will not be accepted.
- B. Interior partitions for tubular silencers shall be secured with galvanized steel radial mounting brackets welded to the partition and the outer casing. The radial brackets shall be installed full length and at 120 degree angles to each other to assure uniform spacing for consistent aerodynamic and acoustic performance.

- C. Sound attenuating units shall not fail structurally when subjected to a differential air pressure of 8 inches water gauge from inside to outside the casing. Airtight construction shall be provided by use of a duct sealing compound on the job-site material and labor furnished by the contractor.

4.01 ACOUSTIC PERFORMANCE

- A. All silencer ratings shall be determined in a duct-to-reverberant room test facility which provides for airflow in both directions through the test silencer in accordance with ASTM Specification E477-99. The test facility shall be NVLAP accredited for the ASTM E477-99 test standard. Data from a non-accredited laboratory will not be acceptable. The test set-up and procedure shall be such that all effects due to end reflection, directivity, flanking transmission, standing waves and test chamber sound absorption are eliminated.

Acoustic ratings shall include Dynamic Insertion Loss (DIL) and Self-Noise (SN) Power Levels both for FORWARD FLOW (air and noise in same direction) and REVERSE FLOW (air and noise in opposite directions) with airflow of at least 2000 fpm entering face velocity. Data for rectangular and tubular type silencers shall be presented for tests conducted using silencers no smaller than the following cross-sections:

Rectangular, inch:	24x24, 24x30, or 24x36,
and	
Tubular, inch:	12, 24, 36, and 48

5.01 AERODYNAMIC PERFORMANCE

- A. Static pressure loss of silencers shall not exceed those listed in the silencer schedule as the airflow indicates. Airflow measurements shall be made in accordance with ASTM specification E477-99 and applicable portions of ASME, AMCA, and ADC airflow test codes. Tests shall be reported on the identical units for which acoustic data is presented.

6.01 CERTIFICATION

- A. With submittals, the manufacturer shall supply certified test data on Dynamic Insertion Loss, Self-Noise Power Levels, and Aerodynamic Performance for Reverse and Forward Flow test conditions. Test data shall be for a standard product. All rating tests shall be conducted in the same facility, shall utilize the same silencer, and shall be open to inspection upon request from the Architect/Engineer.

7.01 DUCT TRANSITIONS

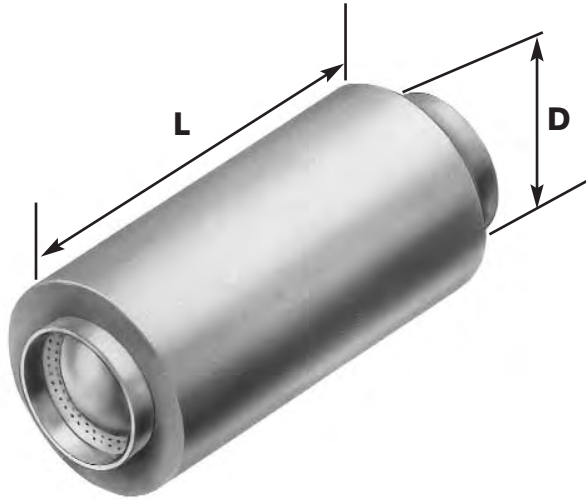
- A. When transitions are required to adapt silencer dimensions to connecting duct work they shall be furnished by the installing contractor.



LOW FREQUENCY CONIC-FLOW SILENCERS

TYPE: FCS

with FORWARD and REVERSE FLOW Ratings



IAC has produced Quiet-Duct HVAC silencers for more than 50 years, and has developed many of the terms and test standards for rating silencer performance that are used today. These standards are dynamic documents that continue to change based on new developments and discoveries in the field of acoustic engineering. Today we continue our involvement in several of the industry's governing agencies, and we remain committed to ensuring that we are always providing product that is in accordance with all of the latest standards. All published acoustic and aerodynamic performance results are based on tests conducted in strict accordance with ASTM E477-99 in IAC America's NVLAP-Accredited laboratory.

DESIGNATING A SILENCER

Model: 12 FCS 36

Diameter: 12" Type: FCS Length: 36"

Table I. Dynamic Insertion Loss (DIL) Ratings: Forward (+) / Reverse (-) Flow

IAC MODEL	Octave Band	1	2	3	4	5	6	7	8
	Hz	63	125	250	500	1K	2K	4K	8K
	Face Velocity, fpm								
12FCS	-4,000	10	18	29	42	40	35	31	21
	-2,000	10	17	27	39	38	35	32	26
	0	10	16	26	36	36	36	33	26
	2,000	9	14	24	33	34	37	34	27
	4,000	8	12	22	29	33	39	35	27
24FCS	-4,000	10	18	31	41	42	35	21	15
	-2,000	10	16	29	38	40	35	22	17
	0	9	15	27	36	38	36	22	18
	2,000	8	13	25	32	37	35	23	19
	4,000	7	12	23	29	35	35	23	20
36FCS	-4,000	12	21	35	41	40	27	19	14
	-2,000	11	20	33	38	39	27	21	14
	0	10	18	31	37	38	27	22	15
	2,000	9	16	29	35	36	28	23	16
	4,000	8	14	27	33	34	28	24	17
48FCS	-4,000	15	25	39	41	37	23	15	11
	-2,000	13	22	37	39	36	23	17	12
	0	12	20	35	37	36	24	19	16
	2,000	10	18	33	35	35	24	20	16
	4,000	9	16	30	34	35	25	21	17
60FCS	-4,000	18	30	43	41	35	16	12	10
	-2,000	16	27	41	40	34	17	13	11
	0	14	25	39	39	33	19	15	13
	2,000	12	22	37	37	33	20	16	15
	4,000	10	20	34	35	33	22	18	16



(+) Forward Flow / (-) Reverse Flow. Aero-acoustic performance data based on NVLAP accredited laboratory tests conducted in strict accordance with ASTM E477-99. Contact IAC if attenuation in excess of 50 dB is required.

Table II: Weights and Measures

Model	Duct Dia., in. Silencer L, in.	12 36	14 36	16 36	18 36	20 40	22 44	24 48	26 52
FCS	Weight, lb.	99	111	132	149	168	188	208	234
Model	Duct Dia., in. Silencer L, in.	28 56	30 60	32 64	36 72	40 80	44 88	48 96	60 120
FCS	Weight, lb.	255	374	495	600	746	951	1140	1873

Table III: Aerodynamic Performance

Model	L/ Ft	Static Pressure Drop, i.w.g.															
FCS	All Sizes	0.04	0.06	0.07	0.10	0.12	0.15	0.19	0.22	0.26	0.30	0.34	0.39	0.44	0.50	0.55	0.61
Silencer Face Velocity, fpm		1000	1200	1400	1600	1800	2000	2200	2400	2600	2800	3000	3200	3400	3600	3800	4000

Table IV: Self-Noise Power Levels, dB re: 10-12 Watts

IAC Model	Octave Band	1	2	3	4	5	6	7	8
	Hz	63	125	250	500	1K	2K	4K	8K
	Silencer Face Velocity, fpm								
FCS All Sizes	-3,000	57	58	58	57	56	57	56	52
	-2,000	50	49	51	49	46	47	45	39
	-1,000	38	34	39	35	29	30	26	20
	1,000	44	43	37	37	38	38	20	20
	2,000	56	54	50	50	50	50	41	31
	3,000	63	60	57	57	57	57	53	47

(+) Forward Flow / (-) Reverse Flow. Aero-acoustic performance data based on NVLAP accredited laboratory tests conducted in strict accordance with ASTM E477-99.

TAKE NOTE!

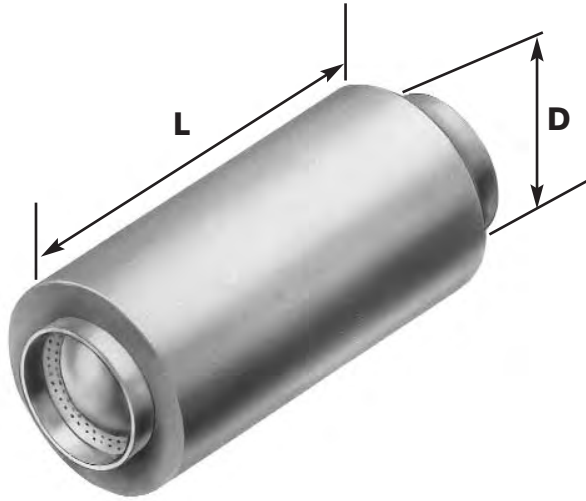
- Silencer Face Area is the cross-sectional area at the silencer entrance.
- Face Velocity is the CFM of airflow divided by the Face Area (in sq. ft.)
- Pressure Drop for any velocity can be calculated from this equation:
 $PD = (Actual\ FV/Catalog\ FV)^2 \times (Catalog\ PD)$
- Self Noise values shown are for a four-square-foot face area silencer.
- For each doubling of the face area add 3 dB to the self-noise values listed.
- For each halving of the face area subtract 3 dB from the self-noise values listed.
- Weights and measures are listed for limited number of available sizes.



LOW FREQUENCY CONIC-FLOW SILENCERS

TYPE: FCL

with FORWARD and REVERSE FLOW Ratings



IAC has produced Quiet-Duct HVAC silencers for more than 50 years, and has developed many of the terms and test standards for rating silencer performance that are used today. These standards are dynamic documents that continue to change based on new developments and discoveries in the field of acoustic engineering. Today we continue our involvement in several of the industry's governing agencies, and we remain committed to ensuring that we are always providing product that is in accordance with all of the latest standards. All published acoustic and aerodynamic performance results are based on tests conducted in strict accordance with ASTM E477-99 in IAC America's NVLAP-Accredited laboratory.

DESIGNATING A SILENCER

Model: 12 FCL 36

Diameter: 12" Type: FCL Length: 36"

Table I. Dynamic Insertion Loss (DIL) Ratings: Forward (+) / Reverse (-) Flow

IAC MODEL	Octave Band	1	2	3	4	5	6	7	8
	Hz	63	125	250	500	1K	2K	4K	8K
	Face Velocity, fpm								
12FCL	-4,000	8	17	25	30	35	34	23	18
	-2,000	8	16	23	29	34	34	25	19
	0	8	15	22	27	33	31	26	21
	2,000	8	14	20	25	32	27	26	23
	4,000	7	12	18	23	31	29	27	23
24FCL	-4,000	9	16	26	31	35	21	15	12
	-2,000	9	15	24	29	33	21	16	13
	0	8	14	23	28	34	23	19	15
	2,000	7	13	21	26	34	25	21	16
	4,000	6	12	20	24	32	25	21	17
36FCL	-4,000	11	20	29	33	30	20	17	12
	-2,000	10	19	28	33	29	21	18	13
	0	9	17	26	32	29	23	19	15
	2,000	8	15	24	31	29	25	20	16
	4,000	7	13	22	30	28	25	20	16
48FCL	-4,000	12	22	33	37	30	17	13	11
	-2,000	12	20	31	36	30	18	15	13
	0	11	19	29	35	30	20	17	15
	2,000	9	17	27	33	29	22	18	16
	4,000	9	16	24	32	28	23	18	17
60FCL	-4,000	15	26	36	38	29	15	11	10
	-2,000	14	24	34	37	29	16	12	11
	0	13	22	33	36	28	19	15	14
	2,000	11	20	31	35	27	21	17	16
	4,000	10	18	28	35	26	20	17	17



(+) Forward Flow / (-) Reverse Flow. Aero-acoustic performance data based on NVLAP accredited laboratory tests conducted in strict accordance with ASTM E477-99. Contact IAC if attenuation in excess of 50 dB is required.

Table II: Weights and Measures

Model	Duct Dia., in. Silencer L, in.	12 36	14 36	16 36	18 36	20 40	22 44	24 48	26 52
FCL	Weight, lb.	99	111	132	149	168	188	208	234
Model	Duct Dia., in. Silencer L, in.	28 56	30 60	32 64	36 72	40 80	44 88	48 96	60 120
FCL	Weight, lb.	255	374	495	600	746	951	1140	1873

Table III: Aerodynamic Performance

Model	L/ Ft	Static Pressure Drop, i.w.g.															
FCL	All Sizes	0.05	0.06	0.07	0.08	0.10	0.11	0.13	0.14	0.16	0.18	0.20	0.22	0.24	0.26	0.29	0.31
Silencer Face Velocity, fpm		2000	2200	2400	2600	2800	3000	3200	3400	3600	3800	4000	4200	4400	4600	4800	5000

Table IV: Self-Noise Power Levels, dB re: 10-12 Watts

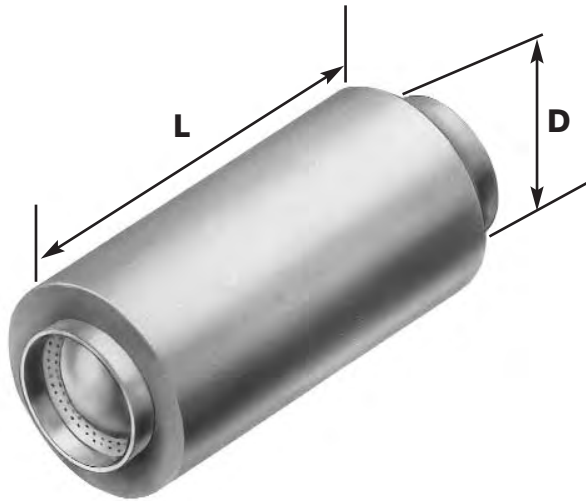
IAC Model	Octave Band	1	2	3	4	5	6	7	8
	Hz	63	125	250	500	1K	2K	4K	8K
	Silencer Face Velocity, fpm								
FCL All Sizes	-3,000	56	56	55	56	55	55	50	45
	-2,000	47	47	47	47	45	45	37	29
	-1,000	31	32	32	31	30	30	20	20
	1,000	39	35	32	32	30	25	20	20
	2,000	52	48	46	46	45	42	39	25
	3,000	60	56	54	54	53	52	50	40

(+) Forward Flow / (-) Reverse Flow. Aero-acoustic performance data based on NVLAP accredited laboratory tests conducted in strict accordance with ASTM E477-99.

TAKE NOTE!

- Silencer Face Area is the cross-sectional area at the silencer entrance.
- Face Velocity is the CFM of airflow divided by the Face Area (in sq. ft.)
- Pressure Drop for any velocity can be calculated from this equation:
 $PD = (Actual\ FV / Catalog\ FV)^2 \times (Catalog\ PD)$
- Self Noise values shown are for a four-square-foot face area silencer.
- For each doubling of the face area add 3 dB to the self-noise values listed.
- For each halving of the face area subtract 3 dB from the self-noise values listed.
- Weights and measures are listed for limited number of available sizes.

with FORWARD and REVERSE FLOW Ratings



IAC has produced Quiet-Duct HVAC silencers for more than 50 years, and has developed many of the terms and test standards for rating silencer performance that are used today. These standards are dynamic documents that continue to change based on new developments and discoveries in the field of acoustic engineering. Today we continue our involvement in several of the industry's governing agencies, and we remain committed to ensuring that we are always providing product that is in accordance with all of the latest standards. All published acoustic and aerodynamic performance results are based on tests conducted in strict accordance with ASTM E477-99 in IAC America's NVLAP-Accredited laboratory.

DESIGNATING A SILENCER

Model: 12 CS 36

Diameter: 12" Type: CS Length: 36"

Table I. Dynamic Insertion Loss (DIL) Ratings: Forward (+) / Reverse (-) Flow

IAC MODEL	Octave Band	1	2	3	4	5	6	7	8
	Hz	63	125	250	500	1K	2K	4K	8K
	Face Velocity, fpm								
12CS	-4,000	9	13	22	32	36	35	31	21
	-2,000	7	10	19	31	34	35	32	26
	0	6	10	18	31	34	36	33	27
	2,000	4	9	16	30	34	37	33	27
	4,000	3	8	14	29	33	39	33	27
24CS	-4,000	10	12	20	34	43	34	20	11
	-2,000	8	11	18	34	40	35	22	13
	0	7	11	18	30	38	36	23	17
	2,000	5	11	18	26	36	37	24	20
	4,000	4	10	17	25	34	37	27	21
36CS	-4,000	11	16	22	36	38	28	19	11
	-2,000	10	15	20	35	37	29	21	12
	0	10	15	20	35	37	30	22	15
	2,000	9	14	19	35	36	31	23	17
	4,000	8	13	18	33	35	32	24	18
48CS	-4,000	12	18	23	37	36	20	13	11
	-2,000	11	17	21	36	35	22	14	12
	0	11	17	21	35	35	24	17	14
	2,000	10	16	20	34	35	26	20	16
	4,000	9	14	19	34	35	27	21	17
60CS	-4,000	13	20	25	38	33	16	11	10
	-2,000	12	19	24	36	32	18	12	11
	0	12	18	24	36	32	21	15	13
	2,000	11	17	23	35	31	23	17	15
	4,000	10	15	22	35	31	24	18	16



(+) Forward Flow / (-) Reverse Flow. Aero-acoustic performance data based on NVLAP accredited laboratory tests conducted in strict accordance with ASTM E477-99. Contact IAC if attenuation in excess of 50 dB is required.

Table II: Weights and Measures

Model	Duct Dia., in. Silencer L, in.	12 36	14 36	16 36	18 36	20 40	22 44	24 48	26 52
CS	Weight, lb.	74	85	105	120	135	150	165	185
Model	Duct Dia., in. Silencer L, in.	28 56	30 60	32 64	36 72	40 80	44 88	48 96	60 120
CS	Weight, lb.	200	305	420	530	640	820	990	1660

Table III: Aerodynamic Performance

Model	L/ Ft	Static Pressure Drop, i.w.g.															
CS	All Sizes	0.06	0.08	0.11	0.15	0.19	0.23	0.28	0.33	0.39	0.45	0.52	0.59	0.67	0.75	0.83	0.92
Silencer Face Velocity, fpm		1000	1200	1400	1600	1800	2000	2200	2400	2600	2800	3000	3200	3400	3600	3800	4000

Table IV: Self-Noise Power Levels, dB re: 10-12 Watts

IAC Model	Octave Band	1	2	3	4	5	6	7	8
	Hz	63	125	250	500	1K	2K	4K	8K
	Silencer Face Velocity, fpm								
CS All Sizes	-3,000	57	58	58	57	56	57	56	52
	-2,000	50	49	51	49	46	47	45	39
	-1,000	38	34	39	35	29	30	26	20
	1,000	44	43	37	37	38	38	20	20
	2,000	56	54	50	50	50	50	41	31
	3,000	63	60	57	57	57	57	53	47

(+) Forward Flow / (-) Reverse Flow. Aero-acoustic performance data based on NVLAP accredited laboratory tests conducted in strict accordance with ASTM E477-99.

TAKE NOTE!

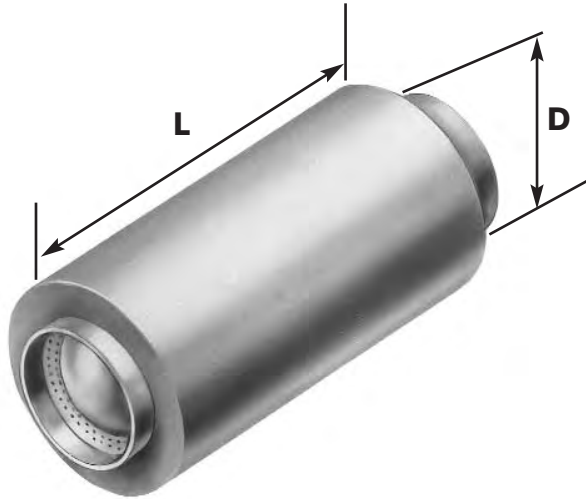
- Silencer Face Area is the cross-sectional area at the silencer entrance.
- Face Velocity is the CFM of airflow divided by the Face Area (in sq. ft.)
- Pressure Drop for any velocity can be calculated from this equation:
 $PD = (Actual\ FV/Catalog\ FV)^2 \times (Catalog\ PD)$
- Self Noise values shown are for a four-square-foot face area silencer.
- For each doubling of the face area add 3 dB to the self-noise values listed.
- For each halving of the face area subtract 3 dB from the self-noise values listed.
- Weights and measures are listed for limited number of available sizes.



CONIC-FLOW SILENCERS

TYPE: CL

with FORWARD and REVERSE FLOW Ratings



IAC has produced Quiet-Duct HVAC silencers for more than 50 years, and has developed many of the terms and test standards for rating silencer performance that are used today. These standards are dynamic documents that continue to change based on new developments and discoveries in the field of acoustic engineering. Today we continue our involvement in several of the industry's governing agencies, and we remain committed to ensuring that we are always providing product that is in accordance with all of the latest standards. All published acoustic and aerodynamic performance results are based on tests conducted in strict accordance with ASTM E477-99 in IAC America's NVLAP-Accredited laboratory.

DESIGNATING A SILENCER

Model: 12 CL 36

Diameter: 12" Type: CL Length: 36"

Table I. Dynamic Insertion Loss (DIL) Ratings: Forward (+) / Reverse (-) Flow

IAC MODEL	Octave Band	1	2	3	4	5	6	7	8
	Hz	63	125	250	500	1K	2K	4K	8K
	Face Velocity, fpm								
12CL	-4,000	7	9	17	32	35	34	22	12
	-2,000	4	8	16	31	34	34	24	13
	0	4	7	15	30	34	35	24	15
	2,000	4	6	13	29	34	36	24	16
	4,000	4	6	13	26	33	36	24	17
24CL	-4,000	7	9	16	28	35	21	17	12
	-2,000	6	9	14	27	35	23	18	13
	0	6	9	14	27	35	24	20	16
	2,000	5	8	13	26	34	25	22	18
	4,000	4	8	13	25	34	26	22	18
36CL	-4,000	9	12	18	32	30	19	16	11
	-2,000	8	12	17	32	29	20	17	12
	0	8	12	17	32	29	23	19	15
	2,000	7	11	16	31	29	25	20	17
	4,000	7	10	15	31	28	25	20	17
48CL	-4,000	10	15	21	34	30	17	13	10
	-2,000	10	14	20	33	30	18	14	11
	0	10	14	19	33	30	20	16	14
	2,000	9	14	18	33	29	22	18	16
	4,000	8	12	17	33	28	22	18	17
60CL	-4,000	12	17	22	35	29	15	11	10
	-2,000	11	17	21	35	29	16	12	11
	0	11	17	21	35	28	18	14	13
	2,000	11	16	20	35	27	20	16	15
	4,000	10	14	19	35	26	20	16	16



(+) Forward Flow / (-) Reverse Flow. Aero-acoustic performance data based on NVLAP accredited laboratory tests conducted in strict accordance with ASTM E477-99. Contact IAC if attenuation in excess of 50 dB is required.

Table II: Weights and Measures

Model	Duct Dia., in. Silencer L, in.	12 36	14 36	16 36	18 36	20 40	22 44	24 48	26 52
CL	Weight, lb.	74	85	105	120	135	150	165	185
Model	Duct Dia., in. Silencer L, in.	28 56	30 60	32 64	36 72	40 80	44 88	48 96	60 120
CL	Weight, lb.	200	305	420	530	640	820	990	1660

Table III: Aerodynamic Performance

Model	L/ Ft	Static Pressure Drop, i.w.g.															
CL	All Sizes	0.06	0.08	0.09	0.11	0.12	0.14	0.16	0.18	0.20	0.23	0.25	0.28	0.30	0.33	0.36	0.39
Silencer Face Velocity, fpm		2000	2200	2400	2600	2800	3000	3200	3400	3600	3800	4000	4200	4400	4600	4800	5000

Table IV: Self-Noise Power Levels, dB re: 10-12 Watts

IAC Model	Octave Band	1	2	3	4	5	6	7	8
	Hz	63	125	250	500	1K	2K	4K	8K
	Silencer Face Velocity, fpm								
CL All Sizes	-3,000	56	56	55	56	55	55	50	45
	-2,000	47	47	47	47	45	45	37	29
	-1,000	31	32	32	31	30	30	20	20
	1,000	39	35	32	32	30	25	20	20
	2,000	52	48	46	46	45	42	39	25
	3,000	60	56	54	54	53	52	50	40

(+) Forward Flow / (-) Reverse Flow. Aero-acoustic performance data based on NVLAP accredited laboratory tests conducted in strict accordance with ASTM E477-99.

TAKE NOTE!

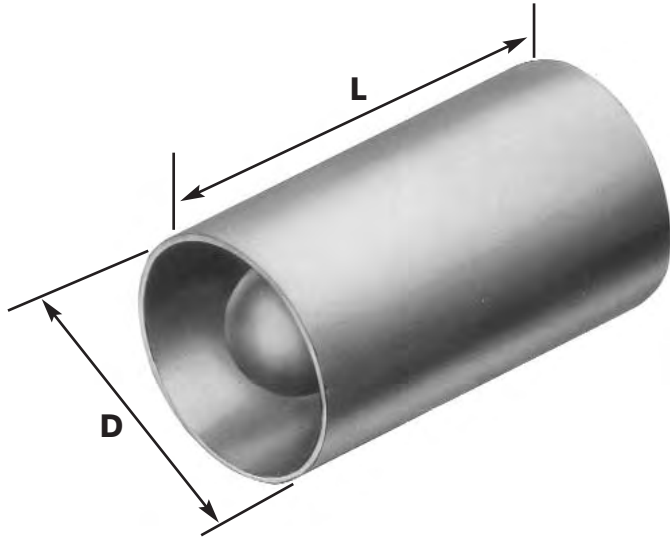
- Silencer Face Area is the cross-sectional area at the silencer entrance.
- Face Velocity is the CFM of airflow divided by the Face Area (in sq. ft.)
- Pressure Drop for any velocity can be calculated from this equation:
 $PD = (Actual\ FV/Catalog\ FV)^2 \times (Catalog\ PD)$
- Self Noise values shown are for a four-square-foot face area silencer.
- For each doubling of the face area add 3 dB to the self-noise values listed.
- For each halving of the face area subtract 3 dB from the self-noise values listed.
- Weights and measures are listed for limited number of available sizes.



CONIC-FLOW SILENCERS

TYPE: NS

with FORWARD and REVERSE FLOW Ratings



IAC has produced Quiet-Duct HVAC silencers for more than 50 years, and has developed many of the terms and test standards for rating silencer performance that are used today. These standards are dynamic documents that continue to change based on new developments and discoveries in the field of acoustic engineering. Today we continue our involvement in several of the industry's governing agencies, and we remain committed to ensuring that we are always providing product that is in accordance with all of the latest standards. All published acoustic and aerodynamic performance results are based on tests conducted in strict accordance with ASTM E477-99 in IAC America's NVLAP-Accredited laboratory.

DESIGNATING A SILENCER

Model: 12 NS 36

Diameter: 12" Type: NS Length: 36"

Table I. Dynamic Insertion Loss (DIL) Ratings: Forward (+) / Reverse (-) Flow

IAC MODEL	Octave Band	1	2	3	4	5	6	7	8
	Hz	63	125	250	500	1K	2K	4K	8K
	Face Velocity, fpm								
12NS	-4,000	3	4	9	15	24	21	13	8
	-2,000	3	4	9	14	24	21	13	8
	0	3	4	9	14	22	21	14	10
	2,000	3	4	9	14	19	21	14	12
	4,000	3	4	9	14	17	21	14	12
24NS	-4,000	4	11	16	22	25	19	11	10
	-2,000	4	10	15	20	24	21	12	11
	0	4	10	15	19	24	21	12	12
	2,000	4	10	14	18	23	21	12	12
	4,000	4	9	13	17	23	21	12	12
36NS	-4,000	6	13	17	23	23	15	10	8
	-2,000	6	13	17	22	23	16	11	9
	0	6	13	17	21	23	17	11	10
	2,000	6	13	17	20	22	17	11	10
	4,000	6	12	16	19	22	17	11	10
48NS	-4,000	7	15	19	25	22	11	9	7
	-2,000	7	15	19	23	20	12	10	8
	0	7	15	19	23	20	12	10	8
	2,000	7	15	19	23	20	12	10	8
	4,000	7	15	19	22	20	12	10	8
60NS	-4,000	10	17	21	23	19	8	7	6
	-2,000	10	17	20	23	18	9	8	7
	0	10	17	20	23	18	10	9	8
	2,000	10	17	20	22	17	10	9	8
	4,000	9	16	19	22	17	10	10	9



(+) Forward Flow / (-) Reverse Flow. Aero-acoustic performance data based on NVLAP accredited laboratory tests conducted in strict accordance with ASTM E477-99. Contact IAC if attenuation in excess of 50 dB is required.

Table II: Weights and Measures

Model	Duct Dia., in. Silencer L, in.	12 36	14 36	16 36	18 36	20 40	22 44	24 48	26 52
NS	Weight, lb.	40	55	75	95	110	125	140	200
Model	Duct Dia., in. Silencer L, in.	28 56	30 60	32 64	36 72	40 80	44 88	48 96	60 120
NS	Weight, lb.	255	310	365	425	480	565	650	1640

Table III: Aerodynamic Performance

Model	L/ Ft	Static Pressure Drop, i.w.g.															
NS	All Sizes	0.05	0.08	0.10	0.13	0.17	0.21	0.25	0.30	0.36	0.41	0.47	0.54	0.61	0.68	0.76	0.84
Silencer Face Velocity, fpm		1000	1200	1400	1600	1800	2000	2200	2400	2600	2800	3000	3200	3400	3600	3800	4000

Table IV: Self-Noise Power Levels, dB re: 10-12 Watts

IAC Model	Octave Band	1	2	3	4	5	6	7	8
	Hz	63	125	250	500	1K	2K	4K	8K
	Silencer Face Velocity, fpm								
NS All Sizes	-3,000	59	56	55	57	57	59	55	50
	-2,000	51	48	47	48	49	51	44	36
	-1,000	37	34	33	33	35	38	26	20
	1,000	44	37	33	32	35	31	20	20
	2,000	56	48	45	45	47	46	38	28
	3,000	63	54	52	53	54	55	50	43

(+) Forward Flow / (-) Reverse Flow. Aero-acoustic performance data based on NVLAP accredited laboratory tests conducted in strict accordance with ASTM E477-99.

TAKE NOTE!

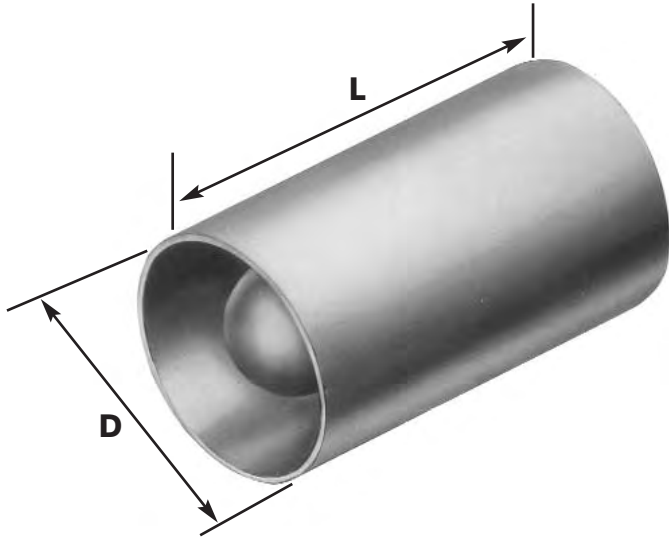
- Silencer Face Area is the cross-sectional area at the silencer entrance.
- Face Velocity is the CFM of airflow divided by the Face Area (in sq. ft.)
- Pressure Drop for any velocity can be calculated from this equation:
 $PD = (\text{Actual FV}/\text{Catalog FV})^2 \times (\text{Catalog PD})$
- Self Noise values shown are for a four-square-foot face area silencer.
- For each doubling of the face area add 3 dB to the self-noise values listed.
- For each halving of the face area subtract 3 dB from the self-noise values listed.
- Weights and measures are listed for limited number of available sizes.



LOW FREQUENCY CONIC-FLOW SILENCERS

TYPE: NL

with FORWARD and REVERSE FLOW Ratings



IAC has produced Quiet-Duct HVAC silencers for more than 50 years, and has developed many of the terms and test standards for rating silencer performance that are used today. These standards are dynamic documents that continue to change based on new developments and discoveries in the field of acoustic engineering. Today we continue our involvement in several of the industry's governing agencies, and we remain committed to ensuring that we are always providing product that is in accordance with all of the latest standards. All published acoustic and aerodynamic performance results are based on tests conducted in strict accordance with ASTM E477-99 in IAC America's NVLAP-Accredited laboratory.

DESIGNATING A SILENCER

Model: 12 NL 36

Diameter: 12" Type: NL Length: 36"

Table I. Dynamic Insertion Loss (DIL) Ratings: Forward (+) / Reverse (-) Flow

IAC MODEL	Octave Band	1	2	3	4	5	6	7	8
	Hz	63	125	250	500	1K	2K	4K	8K
	Face Velocity, fpm								
12NL	-4,000	2	5	10	11	17	15	9	8
	-2,000	1	3	9	11	16	15	9	9
	0	1	3	9	11	16	15	10	10
	2,000	1	3	9	11	15	15	10	10
	4,000	1	3	8	10	14	15	10	10
24NL	-4,000	5	11	14	17	18	14	10	8
	-2,000	3	10	12	16	17	14	10	9
	0	3	10	12	16	17	14	11	10
	2,000	3	9	11	15	16	14	11	10
	4,000	3	9	11	15	16	14	11	10
36NL	-4,000	6	12	16	18	16	12	9	6
	-2,000	4	11	14	17	15	12	9	7
	0	4	11	14	17	15	12	10	8
	2,000	4	10	13	16	15	12	10	8
	4,000	4	10	13	16	15	13	11	8
48NL	-4,000	8	13	18	17	14	10	8	4
	-2,000	5	11	16	16	14	10	9	6
	0	5	11	16	16	14	11	9	7
	2,000	5	11	15	15	14	11	9	7
	4,000	5	11	15	15	14	11	10	7
60NL	-4,000	10	14	18	17	11	9	6	4
	-2,000	7	13	16	16	11	9	7	5
	0	7	13	16	16	11	10	7	6
	2,000	7	13	15	15	11	10	7	6
	4,000	7	13	15	15	11	10	8	7



(+) Forward Flow / (-) Reverse Flow. Aero-acoustic performance data based on NVLAP accredited laboratory tests conducted in strict accordance with ASTM E477-99. Contact IAC if attenuation in excess of 50 dB is required.

Table II: Weights and Measures

Model	Duct Dia., in. Silencer L, in.	12 36	14 36	16 36	18 36	20 40	22 44	24 48	26 52
NL	Weight, lb.	40	55	75	95	110	125	140	200
Model	Duct Dia., in. Silencer L, in.	28 56	30 60	32 64	36 72	40 80	44 88	48 96	60 120
NL	Weight, lb.	255	310	365	425	480	565	650	1640

Table III: Aerodynamic Performance

Model	L/ Ft	Static Pressure Drop, i.w.g.															
NL	All Sizes	0.11	0.13	0.15	0.18	0.21	0.24	0.27	0.30	0.34	0.38	0.42	0.46	0.51	0.56	0.61	0.66
Silencer Face Velocity, fpm		2000	2200	2400	2600	2800	3000	3200	3400	3600	3800	4000	4200	4400	4600	4800	5000

Table IV: Self-Noise Power Levels, dB re: 10-12 Watts

IAC Model	Octave Band	1	2	3	4	5	6	7	8
	Hz	63	125	250	500	1K	2K	4K	8K
	Silencer Face Velocity, fpm								
NL All Sizes	-3,000	60	59	59	58	59	58	53	43
	-2,000	53	51	51	51	51	50	41	32
	-1,000	40	38	38	38	38	36	20	20
	1,000	39	35	32	32	30	25	21	20
	2,000	52	48	46	46	45	42	39	26
	3,000	59	56	54	54	53	52	50	40

(+) Forward Flow / (-) Reverse Flow. Aero-acoustic performance data based on NVLAP accredited laboratory tests conducted in strict accordance with ASTM E477-99.

TAKE NOTE!

- Silencer Face Area is the cross-sectional area at the silencer entrance.
- Face Velocity is the CFM of airflow divided by the Face Area (in sq. ft.)
- Pressure Drop for any velocity can be calculated from this equation:
 $PD = (Actual\ FV/Catalog\ FV)^2 \times (Catalog\ PD)$
- Self Noise values shown are for a four-square-foot face area silencer.
- For each doubling of the face area add 3 dB to the self-noise values listed.
- For each halving of the face area subtract 3 dB from the self-noise values listed.
- Weights and measures are listed for limited number of available sizes.



D-DUCT DIFFUSER SILENCERS

1.01 GENERAL

- A. Furnish and install "D-Duct" acoustic diffuser silencers of the types and sizes shown on the plans and/or listed in the schedule. Silencers shall be the product of Industrial Acoustics Company. Any specification change must be submitted in writing and approved by the Architect/Engineer, in writing, at least 10 days prior to the bid due-date.

2.01 MATERIALS

- A. Outer casings of tubular silencers shall be made of type #G-90 lock-former-quality galvanized steel in the following gauges based on the smallest diameter of the internal diffuser cone:

Cone Diameter, in. Up to 35.5	Metal Gauge	Cone Diameter, in. Up to 35.5	Metal Gauge
	22		22
> 36	18	> 36	18

- B. Diffuser silencers shall include an internal core of consistent diameter along the entire length in the direction of airflow. The core diameter shall be selected based on the adjacent hub diameter or, in the case of C-frame mounted motors, the motor frame size for the respective fan system on which the diffuser silencer is installed.
- C. The internal core shall be constructed from lock-former-quality type G-90 galvanized perforated steel in the same gauge as the internal diffuser cone. The core shall be supported by a minimum of three (3) welded radial attachment brackets installed at 120 degree angles to each other to provide uniform support.
- D. Combustion ratings for the silencer acoustic fill shall be not greater than the following when tested to ASTM E 84, NFPA Standard 255, or UL No. 723:
 - Flamespread Classification 20
 - Smoke Development Rating 20

3.01 CONSTRUCTION

- A. Four inch long, 11 gauge, sleeved end connections shall be provided as standard. When noted, rolled angle flanges shall be factory welded to the sleeve.
- B. For units where the minimum diffuser cone diameter is 36" or greater, an additional support rod shall be welded between the radial bracket and the sleeve to prevent a twist from being exerted on the internal core by the fan's air flow.
- C. All welds shall be touched-up with zinc-rich paint after fabrication by the manufacturer.

- D. The internal core and the rectangular outer jacket of the Diffuser Silencers shall be filled with glass fiber of a density sufficient to obtain the specified acoustic performance. The fill shall be packed under not less than 5% compression to eliminate voids due to vibration or settling. The fill material shall be inert, vermin- and moisture-proof.

4.01 ACOUSTIC PERFORMANCE

- A. All silencer ratings shall be determined in a duct-to-reverberant room test facility which provides for airflow in both directions through the test silencer in accordance with ASTM Specification E477-99. The test facility shall be NVLAP accredited for the ASTM E477-99 test standard. Data from a non-accredited laboratory will not be acceptable. The test set-up and procedure shall be such that all effects due to end reflection, directivity, flanking transmission, standing waves and test chamber sound absorption are eliminated. Acoustic ratings shall include Dynamic Insertion Loss (DIL) and Self-Noise (SN) Power Levels both for FORWARD FLOW (air and noise in same direction) and REVERSE FLOW (air and noise in opposite directions) with airflow of at least 2000 fpm entering face velocity.

5.01 AERODYNAMIC PERFORMANCE

- A. Diffuser Silencers shall function as pressure regain devices to minimize system pressure losses at the fan. Fan selections are based on the regain performance of the Diffuser Silencer configurations specified. Any deviations in configuration which adversely affect the fan performance efficiency will not be accepted.
- B. Silencers shall not fail structurally when exposed to a differential air pressure of 8 inches water gauge inside to outside the casing.

6.01 CERTIFICATION

- A. With submittals, the manufacturer shall supply certified test data on Dynamic Insertion Loss, Self-Noise Power Levels, and Aerodynamic Performance for Reverse and Forward Flow test conditions. Test data shall be for a standard product. All rating tests shall be conducted in the same facility, shall utilize the same silencer, and shall be open to inspection upon request from the Architect/Engineer.

7.01 DUCT TRANSITIONS

- A. When transitions are required to adapt silencer dimensions to connecting duct work they shall be furnished by the installing contractor.

D-DUCT DIFFUSER SILENCERS

TYPE: DDS

with FORWARD and REVERSE FLOW Ratings

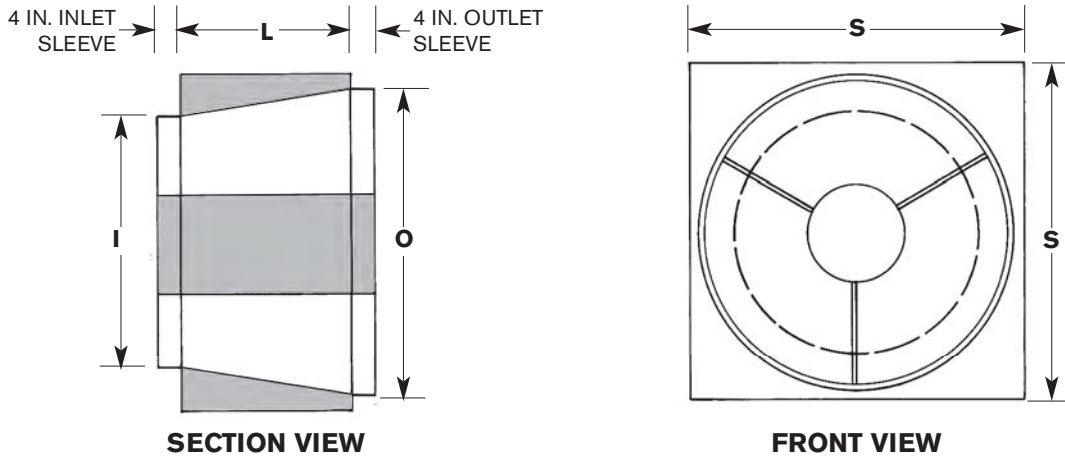


Table I. Dynamic Insertion Loss (DIL) Ratings: Forward (+) / Reverse (-) Flow

Model	PHYSICAL DATA					DYNAMIC INSERTION LOSS, Db							
	I Inlet Dia., in,	O Outlet Dia., in,	S in.	L in.	Weight lb	Octave Band Center Frequency, Hz							
						63	125	250	500	1000	2000	4000	8000
18-A	18.5	24	28	20.0	125	-	3	13	22	27	23	17	13
20-A	20.5	28	32	20.0	140	-	2	12	20	26	22	16	12
24-A	24.5	30	34	24.0	165	1	4	14	20	24	20	15	12
24-B	24.5	30	34	24.0	180	1	5	15	20	25	21	15	12
30-A	30.5	40	44	30.0	225	1	7	15	19	21	17	14	12
30-B	30.5	40	44	30.0	240	1	8	15	19	21	17	14	12
30-C	30.5	40	44	30.0	260	2	8	15	19	21	18	14	12
36-A	36.5	46	50	37.75	290	2	8	15	18	17	13	12	11
36-B	36.5	46	50	37.75	300	2	9	15	18	17	13	11	10
36-C	36.5	46	50	37.75	310	2	9	15	18	18	14	11	10
36-D	36.5	46	50	37.75	325	2	9	16	18	19	14	11	10
42-A	42.5	52	56	36.0	400	3	10	16	17	16	12	10	9
42-B	42.5	52	56	36.0	410	3	10	16	17	16	12	11	10
42-C	42.5	52	56	36.0	430	3	10	16	18	16	13	11	10
48-A	48.5	60	64	43.5	550	3	11	17	18	16	12	10	10
48-B	48.5	60	64	43.5	580	3	11	17	18	16	12	11	10
48-C	48.5	60	64	43.5	610	3	11	18	19	17	13	12	10
54-A	55.25	68	72	48.0	700	3	11	17	18	16	12	10	10
54-B	55.25	68	72	48.0	750	3	11	17	18	16	12	11	10
54-C	55.25	68	72	48.0	790	3	11	17	19	17	12	12	10
60-A	61.0	74	78	52.75	750	4	12	18	19	14	10	10	10
60-B	61.0	74	78	52.75	790	4	12	18	20	16	12	11	10
66-A	67.0	82	86	58.5	1190	4	12	18	19	14	10	10	10
66-B	67.0	82	86	58.5	1250	4	12	18	20	16	12	11	10
70-A	73.0	90	94	68.0	1400	4	12	17	16	12	10	10	10
70-B	73.0	90	94	68.0	1500	4	12	18	18	15	10	10	10

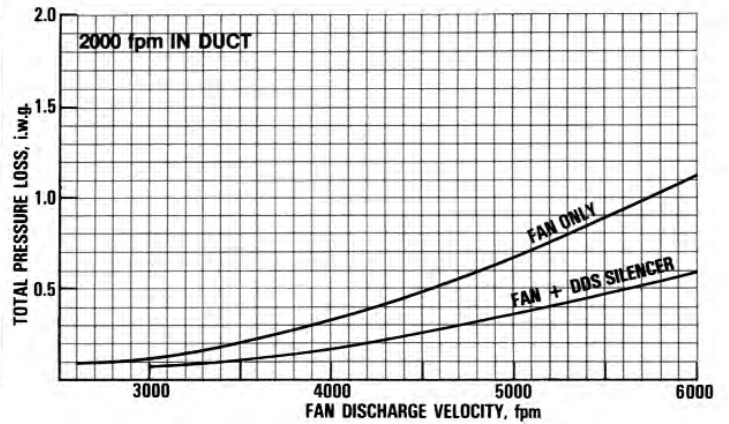
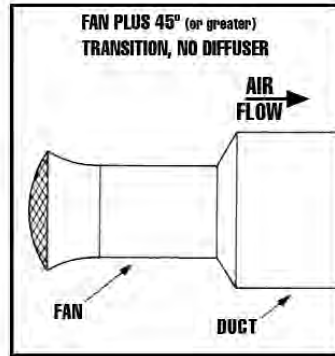
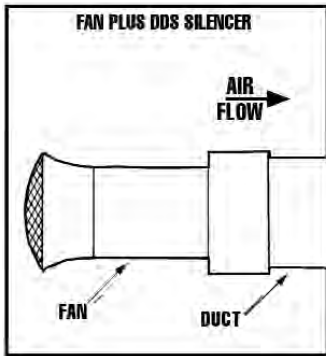
Custom sizes are available. Please contact an IAC representative for details.



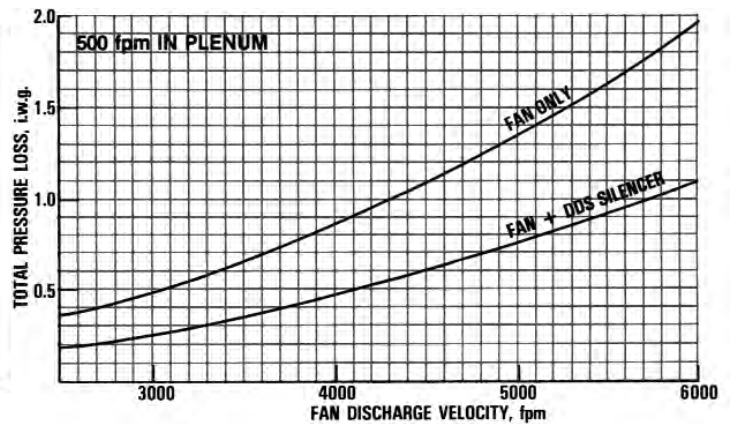
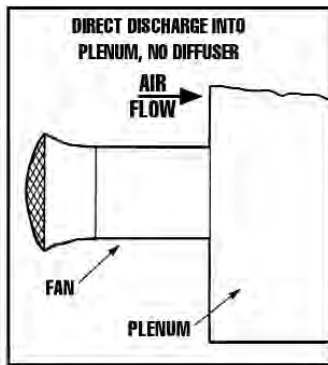
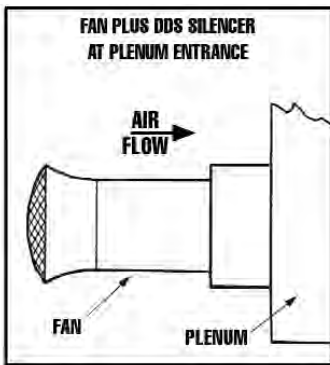
(+) Forward Flow / (-) Reverse Flow. Aero-acoustic performance data based on NVLAP accredited laboratory tests conducted in strict accordance with ASTM E477-99. Contact IAC if attenuation in excess of 50 dB is required.

The IAC D-Duct Diffuser Silencer (DDS) is designed for installation at the outlet of vane axial fans. Available in both standard and custom sizes, the DDS can be fitted directly to the fan and has excellent acoustic performance. The IAC DDS also acts as a pressure-regain device, so overall system performance will be improved with the addition of a D-Duct. Finally, the IAC DDS can also be used as an effective inlet cone and silencer. For further information on this product please contact an IAC representative.

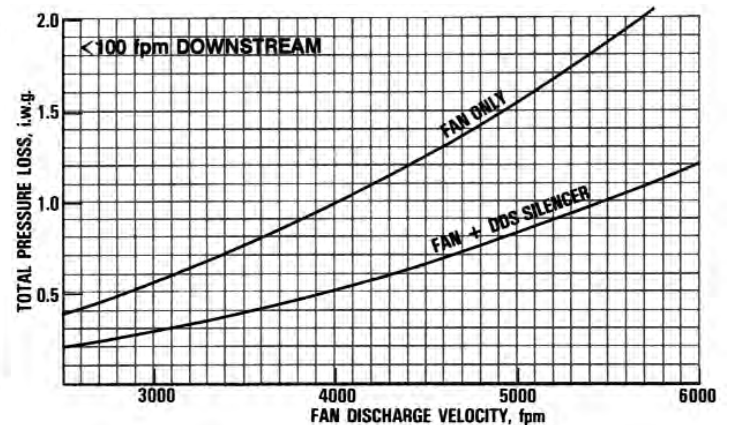
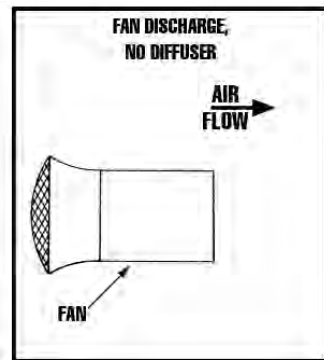
Ducted Discharge



Discharge Into Low Velocity Plenums



Free Discharge



(+) Forward Flow / (-) Reverse Flow. Aero-acoustic performance data based on NVLAP accredited laboratory tests conducted in strict accordance with ASTM E477-99.



QUIET-DUCT ULTRA PALS™ PACKLESS SILENCERS

1.01 GENERAL

- A. Furnish and install "Ultra-Pals" Packless Silencers of the types and sizes shown on the plans and/or listed in the schedule. Silencers shall be the product of Industrial Acoustics Company. Any change in this specification must be submitted in writing to and approved by the Architect/Engineer, in writing, at least 10 days prior to bid due-date.

2.01 MATERIALS

- A. Unless otherwise specified, the silencers shall be constructed of Type #G-90 lock-former-quality galvanized steel. The silencer casings shall be a minimum of #22 Gauge solid galvanized. The internal partitions shall be a minimum of #26 Gauge perforated galvanized.
- B. No sound absorptive material of any kind is to be used in the silencers. The silencers shall attenuate air/gas transmitted noise solely by virtue of controlled impedance membranes and broadly tuned resonators.
- C. Combustion ratings for the silencer acoustic fill shall be not greater than the following when tested to ASTM E 84, NFPA Standard 255, or UL No. 723:
 - Flamespread Classification 0
 - Smoke Development Rating 0

3.01 CONSTRUCTION

- A. Units shall be constructed in accordance with the ASHRAE Guide recommendations for high pressure duct work. Seams shall be lock formed and mastic filled. Rectangular casing seams shall be in the corners of the silencer shell to provide maximum unit strength and rigidity. Interior partitions shall be fabricated from single piece; margin perforated sheets and shall have die-formed entrance and exit shapes so as to provide the maximum aerodynamic efficiency and minimum self-noise characteristics in the sound attenuator. Blunt noses or squared off partitions will not be accepted.
- B. The interior partitions shall be attached to the casing by means of an interlocking track assembly. Tracks shall be solid galvanized steel and shall be welded to the outer casing. Attachment of the interior partitions to the tracks shall be such that a minimum of 4 thicknesses of metal exist at this location.
- C. The track assembly shall stiffen the exterior casing, provide a reinforced attachment detail for the interior partitions, and shall maintain a uniform airspace width along the length of the silencer for consistent aerodynamic and acoustic performance.

- D. Sound attenuating units shall not fail structurally when subjected to a differential air pressure of 8 inches water gauge from inside to outside the casing.

4.01 ACOUSTIC PERFORMANCE

- A. Silencer ratings shall be determined in a duct-to-reverberant room test facility which provides for airflow in both directions through the test silencer in accordance with ASTM Specification E477-99. The test facility shall be NVLAP accredited for the ASTM E477-99 test standard. Data from a non-accredited laboratory will not be acceptable. The test set-up and procedure shall be such that all effects due to end reflection, directivity, flanking transmission, standing waves and test chamber sound absorption are eliminated.
- B. Acoustic ratings shall include Dynamic Insertion Loss (DIL) and Self-Noise (SN) Power Levels both for FORWARD FLOW (air and noise in same direction) and REVERSE FLOW (air and noise in opposite directions) with airflow of at least 1000 fpm entering face velocity. Data for rectangular silencers shall be presented for tests conducted using silencers no smaller than the following cross-sections:
 - Rectangular, inch: 24x24, 24x30, or 24x36.

5.01 AERODYNAMIC PERFORMANCE

- A. Static pressure loss of silencers shall not exceed those listed in the silencer schedule as the airflow indicates. Airflow measurements shall be made in accordance with ASTM specification E477-99 and applicable portions of ASME, AMCA, and ADC airflow test codes. Tests shall be reported on the identical units for which acoustic data is presented.

6.01 CERTIFICATION

- A. With submittals, the manufacturer shall supply certified test data on Dynamic Insertion Loss, Self-Noise Power Levels, and Aerodynamic Performance for Reverse and Forward Flow test conditions. Test data shall be for a standard product. All rating tests shall be conducted in the same facility, shall utilize the same silencer, and shall be open to inspection upon request from the Architect/Engineer.

7.01 DUCT TRANSITIONS

- A. When transitions are required to adapt silencer dimensions to connecting duct work, they shall be furnished by the installing contractor.



ULTRA-PALS™ PACKLESS SILENCERS

TYPE: XM

with FORWARD and REVERSE FLOW Ratings



IAC has produced Quiet-Duct HVAC silencers for more than 50 years, and has developed many of the terms and test standards for rating silencer performance that are used today. These standards are dynamic documents that continue to change based on new developments and discoveries in the field of acoustic engineering. Today we continue our involvement in several of the industry's governing agencies, and we remain committed to ensuring that we are always providing product that is in accordance with all of the latest standards. All published acoustic and aerodynamic performance results are based on tests conducted in strict accordance with ASTM E477-99 in IAC America's NVLAP-Accredited laboratory.

DESIGNATING A SILENCER

Model: 5 XM 24 x 18

Length: 5' Type: XM Width: 24" Height: 18"

- NO FIBERGLASS
- NO FOAM
- NO MINERAL WOOL
- NO FILL OF ANY KIND

The complete absence of fill, combined with the ease of cleaning and draining, makes IAC Ultra-Pals Silencers well-suited for chemical plants, refineries and facilities handling gasoline, grease, solvents or other hazardous materials.

Table I. Dynamic Insertion Loss (DIL) Ratings: Forward (+) / Reverse (-) Flow

Silencer Length, ft	Octave Band	1	2	3	4	5	6	7	8
	Hz	63	125	250	500	1K	2K	4K	8K
	Face Velocity, fpm								
3XM	-1,500	6	8	12	18	22	13	10	7
	-1,000	6	6	10	17	20	12	9	8
	0	4	4	7	15	17	11	10	9
	1,000	6	4	10	17	20	12	10	9
	1,500	5	5	11	17	23	13	10	8
6XM	-1,500	10	15	23	33	30	16	11	10
	-1,000	9	12	17	30	25	14	12	11
	0	5	7	11	25	22	14	13	12
	1,000	7	9	15	27	25	14	14	12
	1,500	7	11	17	30	29	16	14	13
9XM	-1,500	12	22	32	39	38	21	16	13
	-1,000	10	19	26	36	31	19	18	16
	0	7	12	15	31	27	19	18	17
	1,000	8	16	22	35	29	20	19	18
	1,500	7	17	25	38	34	22	18	17



(+) Forward Flow / (-) Reverse Flow. Aero-acoustic performance data based on NVLAP accredited laboratory tests conducted in strict accordance with ASTM E477-99. Contact IAC if attenuation in excess of 50 dB is required.

Table II: Weights and Measures

Nominal Length	W/ In H/ In	12 12	12 18	12 24	12 30	12 36	12 48	24 12	24 18	24 24	24 30	24 36	24 48
3 feet	Wt/ lb.	28	37	45	54	63	72	55	67	82	98	113	130
6 feet		56	74	90	108	126	144	110	134	164	196	226	258
9 feet		84	111	135	162	189	216	156	201	246	294	339	380

Table III: Aerodynamic Performance

Model	L/ Ft	Static Pressure Drop, i.w.g.															
XM	3	0.02	0.03	0.04	0.06	0.07	0.09	0.11	0.13	0.15	0.17	0.20	0.23	0.26	0.29	0.32	0.36
	6	0.03	0.04	0.06	0.08	0.10	0.12	0.15	0.17	0.20	0.24	0.27	0.31	0.35	0.39	0.43	0.48
	9	0.04	0.05	0.07	0.10	0.12	0.15	0.18	0.22	0.26	0.30	0.34	0.39	0.44	0.49	0.55	0.60
Silencer Face Velocity, fpm		250	300	350	400	450	500	550	600	650	700	750	800	850	900	950	1000

Table IV: Self-Noise Power Levels, dB re: 10-12 Watts

IAC Model	Octave Band	1	2	3	4	5	6	7	8
	Hz	63	125	250	500	1K	2K	4K	8K
	Silencer Face Velocity, fpm								
3XM	-1,500	54	52	56	58	59	64	65	58
	-1,000	42	44	49	51	55	59	55	45
	1,000	46	42	44	46	52	57	55	52
	1,500	54	54	57	54	54	62	65	59
6XM	-2,000	64	61	58	59	60	64	67	64
	-1,000	56	52	52	52	55	61	60	50
9XM	1,000	58	54	49	46	52	60	60	50
	2,000	66	67	65	61	58	63	69	67

(+) Forward Flow / (-) Reverse Flow. Aero-acoustic performance data based on NVLAP accredited laboratory tests conducted in strict accordance with ASTM E477-99.

TAKE NOTE!

- Silencer Face Area is the cross-sectional area at the silencer entrance.
- Face Velocity is the CFM of airflow divided by the Face Area (in sq. ft.)
- Pressure Drop for any velocity can be calculated from this equation:
 $PD = (\text{Actual FV}/\text{Catalog FV})^2 \times (\text{Catalog PD})$
- Self Noise values shown are for a four-square-foot face area silencer.
- For each doubling of the face area add 3 dB to the self-noise values listed.
- For each halving of the face area subtract 3 dB from the self-noise values listed.
- Weights and measures are listed for limited number of available sizes.

**ULTRA-PALS™ PACKLESS SILENCERS****TYPE: XL**with **FORWARD** and **REVERSE FLOW** Ratings

IAC has produced Quiet-Duct HVAC silencers for more than 50 years, and has developed many of the terms and test standards for rating silencer performance that are used today. These standards are dynamic documents that continue to change based on new developments and discoveries in the field of acoustic engineering. Today we continue our involvement in several of the industry's governing agencies, and we remain committed to ensuring that we are always providing product that is in accordance with all of the latest standards. All published acoustic and aerodynamic performance results are based on tests conducted in strict accordance with ASTM E477-99 in IAC America's NVLAP-Accredited laboratory.

DESIGNATING A SILENCER

Model: 5 XL 24 x 18

Length: 5' Type: XL Width: 24" Height: 18"

- **NO FIBERGLASS**
- **NO FOAM**
- **NO MINERAL WOOL**
- **NO FILL OF ANY KIND**

The complete absence of fill, combined with the ease of cleaning and draining, makes IAC Ultra-Pals Silencers well-suited for chemical plants, refineries and facilities handling gasoline, grease, solvents or other hazardous materials.

Table I. Dynamic Insertion Loss (DIL) Ratings: Forward (+) / Reverse (-) Flow

Silencer Length, ft	Octave Band	1	2	3	4	5	6	7	8
	Hz	63	125	250	500	1K	2K	4K	8K
	Face Velocity, fpm								
3XL	-1,500	9	12	18	21	13	11	9	7
	-1,000	8	10	16	20	12	11	9	7
	0	8	7	15	17	11	11	9	8
	1,000	7	8	17	21	13	11	9	8
	1,500	7	9	18	21	14	13	9	9
6XL	-1,500	12	20	25	30	19	16	13	10
	-1,000	12	18	23	27	18	15	13	10
	0	8	11	19	23	16	14	13	11
	1,000	11	14	23	28	19	15	13	12
	1,500	10	15	24	30	21	17	14	12
9XL	-1,500	19	28	32	38	27	21	16	11
	-1,000	16	25	29	34	24	19	16	12
	0	11	15	22	27	20	18	16	15
	1,000	13	20	29	33	25	20	16	16
	1,500	13	21	29	35	26	23	18	15



(+) Forward Flow / (-) Reverse Flow. Aero-acoustic performance data based on NVLAP accredited laboratory tests conducted in strict accordance with ASTM E477-99. Contact IAC if attenuation in excess of 50 dB is required.

Table II: Weights and Measures

Nominal Length	W/ In H/ In	12 12	12 18	12 24	12 30	12 36	12 48	24 12	24 18	24 24	24 30	24 36	24 48
3 feet	Wt/ lb.	25	33	40	47	55	63	42	52	63	73	84	95
6 feet		50	66	80	94	110	125	85	104	126	146	168	188
9 feet		75	99	120	141	165	188	126	156	189	219	252	284

Table III: Aerodynamic Performance

Model	L/ Ft	Static Pressure Drop, i.w.g.															
XL	3	0.03	0.04	0.06	0.08	0.10	0.12	0.15	0.17	0.20	0.24	0.27	0.31	0.35	0.39	0.43	0.48
	6	0.04	0.05	0.07	0.10	0.12	0.15	0.18	0.22	0.26	0.30	0.34	0.39	0.44	0.49	0.55	0.60
	9	0.04	0.06	0.09	0.11	0.14	0.18	0.22	0.26	0.30	0.35	0.40	0.46	0.51	0.58	0.64	0.71
Silencer Face Velocity, fpm		250	300	350	400	450	500	550	600	650	700	750	800	850	900	950	1000

Table IV: Self-Noise Power Levels, dB re: 10-12 Watts

IAC Model	Octave Band	1	2	3	4	5	6	7	8
	Hz	63	125	250	500	1K	2K	4K	8K
	Silencer Face Velocity, fpm								
3XL	-1,500	54	52	56	58	59	64	65	58
	-1,000	42	44	49	51	55	59	55	45
	1,000	46	42	44	46	52	57	55	52
	1,500	54	54	57	54	54	62	65	59
6XL	-2,000	64	61	58	59	60	64	67	64
	-1,000	56	52	52	52	55	61	60	50
9XL	1,000	58	54	49	46	52	60	60	50
	2,000	66	67	65	61	58	63	69	67

(+) Forward Flow / (-) Reverse Flow. Aero-acoustic performance data based on NVLAP accredited laboratory tests conducted in strict accordance with ASTM E477-99.

TAKE NOTE!

- Silencer Face Area is the cross-sectional area at the silencer entrance.
- Face Velocity is the CFM of airflow divided by the Face Area (in sq. ft.)
- Pressure Drop for any velocity can be calculated from this equation:
 $PD = (\text{Actual FV}/\text{Catalog FV})^2 \times (\text{Catalog PD})$
- Self Noise values shown are for a four-square-foot face area silencer.
- For each doubling of the face area add 3 dB to the self-noise values listed.
- For each halving of the face area subtract 3 dB from the self-noise values listed.
- Weights and measures are listed for limited number of available sizes.



ULTRA-PALS™ PACKLESS SILENCERS

TYPE: KL

with FORWARD and REVERSE FLOW Ratings



IAC has produced Quiet-Duct HVAC silencers for more than 50 years, and has developed many of the terms and test standards for rating silencer performance that are used today. These standards are dynamic documents that continue to change based on new developments and discoveries in the field of acoustic engineering. Today we continue our involvement in several of the industry's governing agencies, and we remain committed to ensuring that we are always providing product that is in accordance with all of the latest standards. All published acoustic and aerodynamic performance results are based on tests conducted in strict accordance with ASTM E477-99 in IAC America's NVLAP-Accredited laboratory.

DESIGNATING A SILENCER

Model: 5 KL 24 x 18

Length: 5' Type: KL Width: 24" Height: 18"

- NO FIBERGLASS
- NO FOAM
- NO MINERAL WOOL
- NO FILL OF ANY KIND

The complete absence of fill, combined with the ease of cleaning and draining, makes IAC Ultra-Pals Silencers well-suited for chemical plants, refineries and facilities handling gasoline, grease, solvents or other hazardous materials.

Table I. Dynamic Insertion Loss (DIL) Ratings: Forward (+) / Reverse (-) Flow

Silencer Length, ft	Octave Band	1	2	3	4	5	6	7	8
	Hz	63	125	250	500	1K	2K	4K	8K
	Face Velocity, fpm								
3KL	-2,000	7	9	16	14	11	8	7	6
	-1,000	4	6	14	12	8	7	7	6
	0	5	4	11	9	7	7	7	5
	1,000	4	5	13	11	7	7	6	4
	2,000	5	7	15	13	10	8	7	5
6KL	-2,000	9	10	22	16	11	9	8	9
	-1,000	7	8	18	14	10	9	8	9
	0	6	6	16	14	9	9	9	8
	1,000	6	7	18	14	10	9	8	8
	2,000	8	8	21	16	12	10	8	7
9KL	-2,000	13	15	28	19	15	10	10	9
	-1,000	11	11	24	17	13	10	10	9
	0	9	9	20	17	12	11	10	9
	1,000	10	9	24	17	13	11	10	8
	2,000	11	11	28	19	15	12	10	8



(+) Forward Flow / (-) Reverse Flow. Aero-acoustic performance data based on NVLAP accredited laboratory tests conducted in strict accordance with ASTM E477-99. Contact IAC if attenuation in excess of 50 dB is required.

Table II: Weights and Measures

Nominal Length	W/ In H/ In	15 12	15 18	15 24	15 30	15 36	15 48	30 12	30 18	30 24	30 30	30 36	30 48
3 feet	Wt/ lb.	30	37	44	51	59	67	51	61	71	82	92	102
6 feet		60	74	88	102	118	132	101	122	142	164	184	204
9 feet		90	111	132	153	177	198	152	183	213	246	276	305

Table III: Aerodynamic Performance

Model	L/ Ft	Static Pressure Drop, i.w.g.															
KL	3	0.03	0.05	0.06	0.08	0.11	0.13	0.16	0.19	0.22	0.25	0.29	0.33	0.38	0.42	0.47	0.52
	6	0.04	0.05	0.07	0.10	0.12	0.15	0.18	0.22	0.25	0.29	0.34	0.38	0.43	0.49	0.54	0.60
	9	0.05	0.06	0.09	0.12	0.15	0.18	0.22	0.26	0.30	0.35	0.41	0.46	0.52	0.58	0.65	0.72
Silencer Face Velocity, fpm		500	600	700	800	900	1000	1100	1200	1300	1400	1500	1600	1700	1800	1900	2000

Table IV: Self-Noise Power Levels, dB re: 10-12 Watts

IAC Model	Octave Band	1	2	3	4	5	6	7	8
	Hz	63	125	250	500	1K	2K	4K	8K
	Silencer Face Velocity, fpm								
3KL	-2,000	49	51	54	58	59	63	63	54
	-1,000	38	38	42	47	51	48	41	35
	1,000	36	36	38	43	49	46	38	35
	2,000	53	49	50	51	54	62	63	54
6KL	-2,000	54	55	55	57	58	62	62	54
	-1,000	44	50	44	51	52	49	40	24
9KL	1,000	52	43	40	44	50	50	42	25
	2,000	58	58	54	53	55	64	66	59

(+) Forward Flow / (-) Reverse Flow. Aero-acoustic performance data based on NVLAP accredited laboratory tests conducted in strict accordance with ASTM E477-99.

TAKE NOTE!

- Silencer Face Area is the cross-sectional area at the silencer entrance.
- Face Velocity is the CFM of airflow divided by the Face Area (in sq. ft.)
- Pressure Drop for any velocity can be calculated from this equation:
 $PD = (\text{Actual FV}/\text{Catalog FV})^2 \times (\text{Catalog PD})$
- Self Noise values shown are for a four-square-foot face area silencer.
- For each doubling of the face area add 3 dB to the self-noise values listed.
- For each halving of the face area subtract 3 dB from the self-noise values listed.
- Weights and measures are listed for limited number of available sizes.



ULTRA-PALS™ PACKLESS SILENCERS

TYPE: KM

with FORWARD and REVERSE FLOW Ratings



IAC has produced Quiet-Duct HVAC silencers for more than 50 years, and has developed many of the terms and test standards for rating silencer performance that are used today. These standards are dynamic documents that continue to change based on new developments and discoveries in the field of acoustic engineering. Today we continue our involvement in several of the industry's governing agencies, and we remain committed to ensuring that we are always providing product that is in accordance with all of the latest standards. All published acoustic and aerodynamic performance results are based on tests conducted in strict accordance with ASTM E477-99 in IAC America's NVLAP-Accredited laboratory.

DESIGNATING A SILENCER

Model: 5 KM 24 x 18

Length: 5' Type: KM Width: 24" Height: 18"

- NO FIBERGLASS
- NO FOAM
- NO MINERAL WOOL
- NO FILL OF ANY KIND

The complete absence of fill, combined with the ease of cleaning and draining, makes IAC Ultra-Pals Silencers well-suited for chemical plants, refineries and facilities handling gasoline, grease, solvents or other hazardous materials.

Table I. Dynamic Insertion Loss (DIL) Ratings: Forward (+) / Reverse (-) Flow

Silencer Length, ft	Octave Band	1	2	3	4	5	6	7	8
	Hz	63	125	250	500	1K	2K	4K	8K
	Face Velocity, fpm								
3KM	-2,000	4	5	10	16	14	10	7	7
	-1,000	3	3	7	13	12	8	7	7
	0	3	2	5	12	11	7	7	6
	1,000	3	3	6	13	11	7	6	5
	2,000	3	4	7	14	14	8	6	5
6KM	-2,000	9	9	17	24	21	9	9	8
	-1,000	8	5	12	19	16	8	9	8
	0	5	4	9	18	15	9	9	8
	1,000	6	4	10	19	16	9	9	7
	2,000	7	5	13	23	20	10	9	8
9KM	-2,000	12	12	23	33	25	12	12	10
	-1,000	10	8	16	27	20	11	13	10
	0	9	6	12	25	20	12	12	11
	1,000	9	7	15	26	21	12	12	10
	2,000	8	9	18	31	25	14	12	10



(+) Forward Flow / (-) Reverse Flow. Aero-acoustic performance data based on NVLAP accredited laboratory tests conducted in strict accordance with ASTM E477-99. Contact IAC if attenuation in excess of 50 dB is required.

Table II: Weights and Measures

Nominal Length	W/ In H/ In	15 15	15 18	15 30	15 30	15 36	15 48	30 15	30 18	30 30	30 30	30 36	30 48
3 feet	Wt/ lb.	32	41	50	58	67	76	53	76	91	106	121	126
6 feet		64	82	100	116	134	152	124	152	182	212	242	272
9 feet		96	123	150	174	201	226	185	228	273	318	363	408

Table III: Aerodynamic Performance

Model	L/ Ft	Static Pressure Drop, i.w.g.															
KM	3	0.03	0.04	0.05	0.07	0.09	0.11	0.13	0.15	0.18	0.21	0.24	0.27	0.31	0.35	0.39	0.43
	6	0.03	0.04	0.06	0.08	0.10	0.12	0.15	0.18	0.21	0.24	0.28	0.32	0.36	0.40	0.45	0.50
	9	0.04	0.05	0.07	0.09	0.12	0.14	0.17	0.20	0.24	0.28	0.32	0.36	0.41	0.46	0.51	0.57
Silencer Face Velocity, fpm		500	600	700	800	900	1000	1100	1200	1300	1400	1500	1600	1700	1800	1900	2000

Table IV: Self-Noise Power Levels, dB re: 10-12 Watts

IAC Model	Octave Band	1	2	3	4	5	6	7	8
	Hz	63	125	250	500	1K	2K	4K	8K
	Silencer Face Velocity, fpm								
3KM	-2,000	49	51	54	58	59	63	63	54
	-1,000	38	38	42	47	51	48	41	35
	1,000	36	36	38	43	49	46	38	35
	2,000	53	49	50	51	54	62	63	54
6KM	-2,000	54	55	55	57	58	62	62	54
	-1,000	44	50	44	51	52	49	40	24
9KM	1,000	52	43	40	44	50	50	42	25
	2,000	58	58	54	53	55	64	66	59

(+) Forward Flow / (-) Reverse Flow. Aero-acoustic performance data based on NVLAP accredited laboratory tests conducted in strict accordance with ASTM E477-99.

TAKE NOTE!

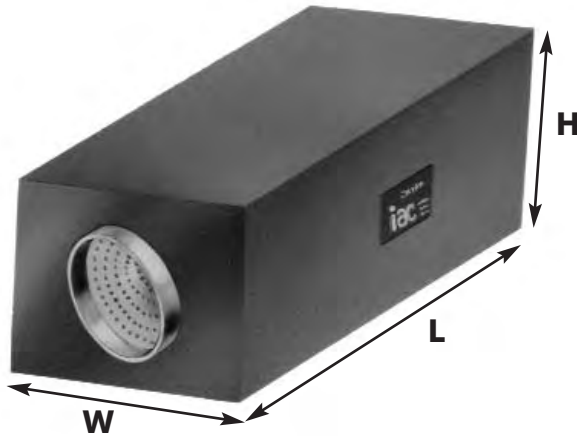
- Silencer Face Area is the cross-sectional area at the silencer entrance.
- Face Velocity is the CFM of airflow divided by the Face Area (in sq. ft.)
- Pressure Drop for any velocity can be calculated from this equation:
 $PD = (\text{Actual FV}/\text{Catalog FV})^2 \times (\text{Catalog PD})$
- Self Noise values shown are for a four-square-foot face area silencer.
- For each doubling of the face area add 3 dB to the self-noise values listed.
- For each halving of the face area subtract 3 dB from the self-noise values listed.
- Weights and measures are listed for limited number of available sizes.



TUBULAR ULTRA-PALS™ PACKLESS SILENCERS

TYPE: TXS/TXL

with FORWARD and REVERSE FLOW Ratings



IAC has produced Quiet-Duct HVAC silencers for more than 50 years, and has developed many of the terms and test standards for rating silencer performance that are used today. These standards are dynamic documents that continue to change based on new developments and discoveries in the field of acoustic engineering. Today we continue our involvement in several of the industry's governing agencies, and we remain committed to ensuring that we are always providing product that is in accordance with all of the latest standards. All published acoustic and aerodynamic performance results are based on tests conducted in strict accordance with ASTM E477-99 in IAC America's NVLAP-Accredited laboratory.

DESIGNATING A SILENCER

Model: 12 TXS 36

Diameter: 12" Type: TXS Length: 36"

- NO FIBERGLASS
- NO FOAM
- NO MINERAL WOOL
- NO FILL OF ANY KIND

The complete absence of fill, combined with the ease of cleaning and draining, makes IAC Ultra-Pals Silencers well-suited for chemical plants, refineries and facilities handling gasoline, grease, solvents or other hazardous materials.

Table I. Dynamic Insertion Loss (DIL) Ratings: Forward (+) / Reverse (-) Flow

Silencer Length, ft	Octave Band	1	2	3	4	5	6	7	8
	Hz	63	125	250	500	1K	2K	4K	8K
	Face Velocity, fpm								
8TXS36	-2,000	15	20	26	17	12	12	12	7
	-1,000	15	18	26	16	11	12	12	8
	0	15	18	26	16	10	12	12	8
	1,000	15	18	26	16	10	12	11	7
	2,000	15	19	26	18	12	11	11	6
8TXL36	-2,000	13	16	25	16	9	7	6	4
	-1,000	13	16	25	15	8	7	6	3
	0	13	15	25	14	8	7	6	3
	1,000	13	15	25	14	8	7	6	4
	2,000	12	15	25	15	8	7	6	4
12TXS36	-2,000	11	13	23	25	18	12	13	9
	-1,000	9	11	19	22	14	11	13	9
	0	7	8	17	20	13	10	11	8
	1,000	7	8	17	20	13	10	11	8
	2,000	7	8	18	22	15	10	11	8
12TXL36	-2,000	5	8	16	16	7	6	5	4
	-1,000	5	8	16	16	7	6	5	4
	0	4	8	16	16	7	7	5	3
	1,000	4	8	16	16	7	7	5	3
	2,000	5	8	16	17	7	7	5	3



(+) Forward Flow / (-) Reverse Flow. Aero-acoustic performance data based on NVLAP accredited laboratory tests conducted in strict accordance with ASTM E477-99. Contact IAC if attenuation in excess of 50 dB is required.

Table II: Aerodynamic Performance

Model	Diameter, in.	Width, in.	Height, in.	Length, in.	Weight, lb.	Static Pressure Drop, i.w.g.							
						0.15	0.20	0.26	0.33	0.41	0.50	0.59	0.69
TXS	8	21	21	36	30	0.15	0.20	0.26	0.33	0.41	0.50	0.59	0.69
TXL	8	21	21	36	30	0.04	0.05	0.07	0.08	0.10	0.12	0.15	0.17
TXS	12	21	21	36	35	0.14	0.19	0.25	0.32	0.39	0.47	0.56	0.66
TXL	12	21	21	36	35	0.04	0.05	0.06	0.08	0.10	0.12	0.14	0.17
Silencer Face Velocity, fpm						1500	1750	2000	2250	2500	2750	3000	3250

Table IV: Self-Noise Power Levels, dB re: 10-12 Watts

IAC Model	Octave Band	1	2	3	4	5	6	7	8
	Hz	63	125	250	500	1K	2K	4K	8K
	Silencer Face Velocity, fpm								
TXS	-2,000	54	47	49	47	51	50	46	38
	-1,000	20	35	37	37	37	32	20	20
	1,000	20	34	35	35	35	28	20	20
	2,000	54	47	45	45	49	50	45	34
TXL	-2,000	20	33	37	39	36	31	20	20
	-1,000	20	20	25	25	23	20	20	20
	1,000	20	22	28	28	25	20	20	20
	2,000	20	35	42	41	35	29	20	20

(+) Forward Flow / (-) Reverse Flow. Aero-acoustic performance data based on NVLAP accredited laboratory tests conducted in strict accordance with ASTM E477-99.

TAKE NOTE!

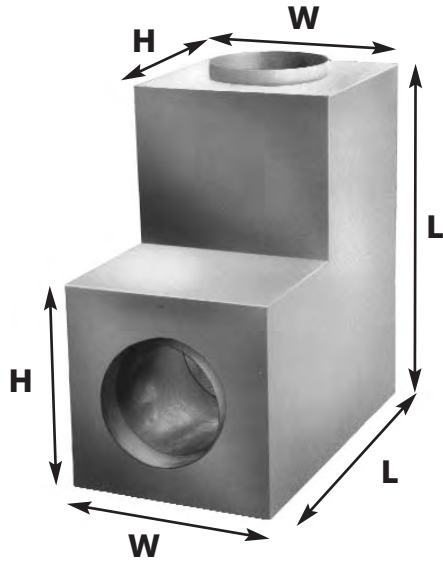
- Silencer Face Area is the cross-sectional area at the silencer entrance.
- Face Velocity is the CFM of airflow divided by the Face Area (in sq. ft.)
- Pressure Drop for any velocity can be calculated from this equation:
 $PD = (\text{Actual FV}/\text{Catalog FV})^2 \times (\text{Catalog PD})$
- Self Noise values shown are for a four-square-foot face area silencer.
- For each doubling of the face area add 3 dB to the self-noise values listed.
- For each halving of the face area subtract 3 dB from the self-noise values listed.
- Weights and measures are listed for limited number of available sizes.



TUBULAR ELBOW ULTRA-PALS™ PACKLESS SILENCERS

TYPE: TXLB

with FORWARD and REVERSE FLOW Ratings



IAC has produced Quiet-Duct HVAC silencers for more than 50 years, and has developed many of the terms and test standards for rating silencer performance that are used today. These standards are dynamic documents that continue to change based on new developments and discoveries in the field of acoustic engineering. Today we continue our involvement in several of the industry's governing agencies, and we remain committed to ensuring that we are always providing product that is in accordance with all of the latest standards. All published acoustic and aerodynamic performance results are based on tests conducted in strict accordance with ASTM E477-99 in IAC America's NVLAP-Accredited laboratory.

DESIGNATING A SILENCER

Model: 12 TXLB 36

Diameter: 12" Type: TXLB Length: 36"

- NO FIBERGLASS
- NO FOAM
- NO MINERAL WOOL
- NO FILL OF ANY KIND

The complete absence of fill, combined with the ease of cleaning and draining, makes IAC Ultra-Pals Silencers well-suited for chemical plants, refineries and facilities handling gasoline, grease, solvents or other hazardous materials.

Table I. Dynamic Insertion Loss (DIL) Ratings: Forward (+) / Reverse (-) Flow

Silencer Length, ft	Octave Band	1	2	3	4	5	6	7	8
	Hz	63	125	250	500	1K	2K	4K	8K
	Face Velocity, fpm								
8TXLB36	-2,000	10	14	26	20	17	14	12	9
	-1,000	10	14	26	18	14	14	11	9
	0	9	13	25	17	14	13	10	8
	1,000	10	13	25	17	14	13	11	8
	2,000	10	13	24	19	16	14	12	8
12TXLB36	-2,000	7	8	21	20	15	11	9	4
	-1,000	7	8	20	19	13	10	8	4
	0	5	6	18	17	11	9	7	3
	1,000	5	6	18	17	11	9	7	3
	2,000	6	7	18	19	14	10	8	3



(+) Forward Flow / (-) Reverse Flow. Aero-acoustic performance data based on NVLAP accredited laboratory tests conducted in strict accordance with ASTM E477-99. Contact IAC if attenuation in excess of 50 dB is required.

Table II: Aerodynamic Performance

Model	Diameter, in.	Width, in.	Height, in.	Length, in.	Weight, lb.	Static Pressure Drop, i.w.g.							
						0.05	0.09	0.14	0.20	0.28	0.36	0.46	0.56
TXLB	8	21	21	36	110	0.05	0.09	0.14	0.20	0.28	0.36	0.46	0.56
	12	21	21	36	120	0.05	0.09	0.14	0.20	0.28	0.36	0.46	0.56
Silencer Face Velocity, fpm						750	1000	1250	1500	1750	2000	2250	2500

Table IV: Self-Noise Power Levels, dB re: 10-12 Watts

IAC Model	Octave Band	1	2	3	4	5	6	7	8
	Hz	63	125	250	500	1K	2K	4K	8K
	Silencer Face Velocity, fpm								
8TXLB36	-2,000	50	43	40	40	41	43	40	31
	-1,000	42	32	32	26	23	20	20	20
	1,000	42	29	27	32	30	23	21	20
	2,000	51	43	41	43	45	49	45	33
12TXLB36	-2,000	58	44	42	44	46	48	47	38
	-1,000	50	40	34	35	31	27	20	20
	1,000	52	38	34	34	35	27	20	20
	2,000	62	47	43	45	49	52	49	38

(+) Forward Flow / (-) Reverse Flow. Aero-acoustic performance data based on NVLAP accredited laboratory tests conducted in strict accordance with ASTM E477-99.

TAKE NOTE!

- Silencer Face Area is the cross-sectional area at the silencer entrance.
- Face Velocity is the CFM of airflow divided by the Face Area (in sq. ft.)
- Pressure Drop for any velocity can be calculated from this equation:
 $PD = (Actual\ FV / Catalog\ FV)^2 \times (Catalog\ PD)$
- Self Noise values shown are for a four-square-foot face area silencer.
- For each doubling of the face area add 3 dB to the self-noise values listed.
- For each halving of the face area subtract 3 dB from the self-noise values listed.
- Weights and measures are listed for limited number of available sizes.



QUIET-DUCT® ELBOW SILENCERS

1.01 GENERAL

- A. Furnish and install "Quiet-Duct Elbow" style silencers of the types and sizes shown on the plans and/or listed in the schedule. Silencers shall be the product of Industrial Acoustics Company. Any specification change must be submitted in writing and approved by the Architect/Engineer, in writing, at least 10 days prior to the bid due-date.

2.01 MATERIALS

- A. Outer casing of the silencer shall be made of minimum 18 gauge type #G-90 lock-former-quality galvanized steel. Interior partitions for the silencer shall be not less than 22 gauge type #G-90 galvanized perforated steel.
- B. Filler material shall be of inorganic glass fiber of a proper density to obtain the specified acoustic performance and be packed under not less than 5% compression to eliminate voids due to vibration and settling. Material shall be inert, vermin- and moisture-proof.
- C. Combustion ratings for the silencer acoustic fill shall be not greater than the following when tested per ASTM E 84, NFPA Standard 255, or UL No. 723:
 - Flamespread Classification 20
 - Smoke Development Rating 20

3.01 CONSTRUCTION

- A. Units shall be constructed in accordance with the ASHRAE Guide recommendations for high pressure duct work. Casing seams shall be formed, welded, and mastic sealed. Interior acoustic baffles shall be perforated sheets with solid evase design entrance/exit shapes to provide maximum aerodynamic efficiency and minimum self-noise. Blunt shapes will not be accepted.
- B. Interior partitions shall be welded to the casing and shall be of radius design so as to provide a uniform elbow airway in the silencer.
- C. Sound attenuating units shall not fail structurally when subjected to a differential air pressure of 8 inches water gauge from inside to outside the casing.

4.01 ACOUSTIC PERFORMANCE

- A. Silencer ratings shall have been determined from data taken in a duct-to-reverberant room test facility which provides for airflow through the test silencer in accordance with ASTM Specification E477-99. The test facility shall be NVLAP accredited for the ASTM E477-99 test standard. Data from a non-accredited laboratory will not be acceptable. The test set-up and procedure shall be such that all effects due to end reflection, directivity, flanking transmission, standing waves and test chamber sound absorption are eliminated.
- B. Acoustic ratings shall include Dynamic Insertion Loss (DIL) and Self-Noise (SN) Power Levels both for FORWARD FLOW (air and noise in same direction) and REVERSE FLOW (air and noise in opposite directions) with airflow of at least 2000 fpm entering face velocity. Data for radius elbow silencers shall be presented for tests conducted using silencers no smaller than the following sizes:
 Rectangular, inches: 24x24, 24x30, or 24x36.

5.01 AERODYNAMIC PERFORMANCE

- A. Static pressure loss of the silencer shall not exceed that listed in the schedule at the airflow indicated. Airflow measurements shall be made in accordance with ASTM specification E477-99 and applicable portions of ASME, AMCA, and ADC airflow test codes.

6.01 CERTIFICATION

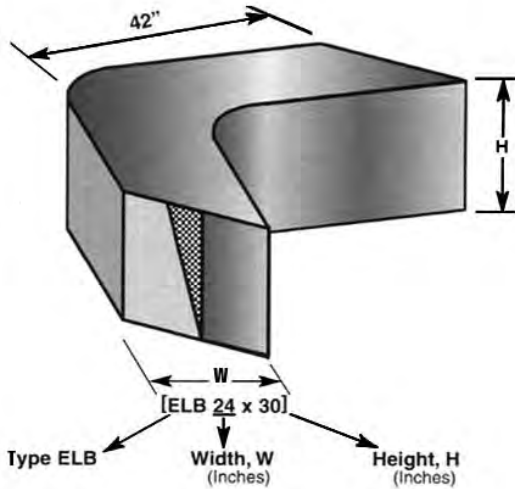
- A. With submittals, the manufacturer shall supply data on Dynamic Insertion Loss, Self-Noise Power Levels, and Aerodynamic Performance for Forward and Reverse Flow test conditions. All rating tests shall be conducted in the same facility, shall have utilized the same silencer, and the facility shall be open to inspection upon request from the Architect/Engineer



QUIET-ELBOW® SILENCERS

TYPE: ELB

with FORWARD and REVERSE FLOW Ratings



IAC has produced Quiet-Duct HVAC silencers for more than 50 years, and has developed many of the terms and test standards for rating silencer performance that are used today. These standards are dynamic documents that continue to change based on new developments and discoveries in the field of acoustic engineering. Today we continue our involvement in several of the industry's governing agencies, and we remain committed to ensuring that we are always providing product that is in accordance with all of the latest standards. All published acoustic and aerodynamic performance results are based on tests conducted in strict accordance with ASTM E477-99 in IAC America's NVLAP-Accredited laboratory.

DESIGNATING A SILENCER

Model: 5 ELB 24 x 18

Length: 5' Type: ELB Width: 24" Height: 18"

Pressure loss for ELB Silencer is 0.2" at 1000 fpm

Table I. Dynamic Insertion Loss (DIL) Ratings: Forward (+) / Reverse (-) Flow

Silencer Length, ft	Octave Band	1	2	3	4	5	6	7	8
	Hz	63	125	250	500	1K	2K	4K	8K
	Face Velocity, fpm								
ELB	-2,000	6	15	22	29	33	28	21	18
	-1,000	6	14	21	28	33	28	22	18
	0	6	14	21	28	34	29	24	19
	1,000	6	13	20	27	34	30	25	20
	2,000	6	13	19	26	34	30	26	21

Table II: Weights and Measures

Model	Width, in.	18	18	18	18	24	24	24	24
	Height, in.	12	18	24	30	18	24	30	36
ELB	Weight, lb.	56	74	93	112	86	105	124	143

Nest and stack ELB silencers for larger duct sizes. For module to module connections seal with continuous taped nosing or metallis u-clip nosing crimped or button punched. For end connections use slip fit, S-Clip, or "TDC" style flanging.



Table III: Self-Noise Power Levels, dB re: 10-12 Watts

IAC Model	Octave Band	1	2	3	4	5	6	7	8
	Hz	63	125	250	500	1K	2K	4K	8K
	Silencer Face Velocity, fpm								
ELB All Sizes	-2,000	54	56	55	53	52	54	51	44
	-1,000	40	42	40	37	40	36	25	24
	1,000	39	40	40	41	40	35	23	24
	2,000	54	56	55	55	55	55	50	42



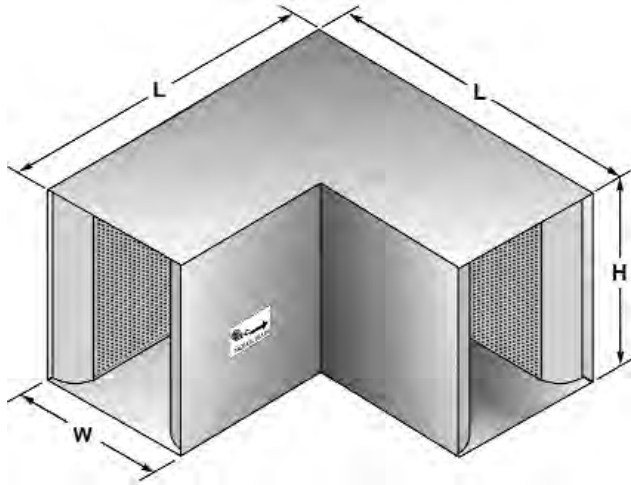
(+) Forward Flow / (-) Reverse Flow. Aero-acoustic performance data based on NVLAP accredited laboratory tests conducted in strict accordance with ASTM E477-99. Contact IAC if attenuation in excess of 50 dB is required.



QUIET-ELBOW® SILENCERS

TYPE: ELBM

with FORWARD and REVERSE FLOW Ratings



IAC has produced Quiet-Duct HVAC silencers for more than 50 years, and has developed many of the terms and test standards for rating silencer performance that are used today. These standards are dynamic documents that continue to change based on new developments and discoveries in the field of acoustic engineering. Today we continue our involvement in several of the industry's governing agencies, and we remain committed to ensuring that we are always providing product that is in accordance with all of the latest standards. All published acoustic and aerodynamic performance results are based on tests conducted in strict accordance with ASTM E477-99 in IAC America's NVLAP-Accredited laboratory.

DESIGNATING A SILENCER

Model: 5 ELBM 24 x 18

Length: 5' Type: ELBM Width: 24" Height: 18"
Pressure loss for ELBM Silencers is 0.2" at 1000 fpm

Table I. Dynamic Insertion Loss (DIL) Ratings: Forward (+) / Reverse (-) Flow

Silencer Length, ft	Octave Band	1	2	3	4	5	6	7	8
	Hz	63	125	250	500	1K	2K	4K	8K
	Face Velocity								
3ELBM	-2,000	6	8	17	27	30	30	20	16
	-1,000	5	8	15	26	30	30	20	17
	0	5	8	15	26	28	30	22	17
	1,000	5	7	14	25	28	30	23	18
	2,000	5	7	13	25	28	31	24	19
5ELBM	-2,000	9	13	23	36	38	24	16	11
	-1,000	9	13	23	36	38	25	17	12
	0	8	12	22	36	38	26	18	13
	1,000	8	12	22	36	38	26	18	13
	2,000	7	11	21	36	38	26	18	14

Table II: Weights and Measures

Width, in.	12	12	12	12	12	24	24	24	24	36	36	36	36
Height, in.	12	18	24	30	36	18	24	30	36	18	24	30	36
3ELBM	70	85	105	125	145	120	140	160	180	-	-	-	-
5ELBM	105	125	160	185	220	180	210	240	270	225	265	300	340

Table III: Self-Noise Power Levels, dB re: 10-12 Watts

IAC Model	Octave Band	1	2	3	4	5	6	7	8
	Hz	63	125	250	500	1K	2K	4K	8K
	Silencer Face Velocity, fpm								
ELBM All Sizes	-2,000	66	69	66	66	64	65	61	52
	-1,000	59	64	60	60	58	59	54	45
	1,000	57	59	54	54	54	55	50	40
	2,000	64	66	61	61	62	62	57	48



(+) Forward Flow / (-) Reverse Flow. Aero-acoustic performance data based on NVLAP accredited laboratory tests conducted in strict accordance with ASTM E477-99. Contact IAC if attenuation in excess of 50 dB is required.