



Iconic design, exception quality



# Site Requirements

DESIGN MANUAL for AGA Products



---

## Design Guide

This guide was designed to provide a basic overview of site considerations that must be taken when purchasing AGA products. It is not a substitute for the specific installation instructions that are delivered with the unit itself. Please refer to these instructions at the time of installation.

All AGA products have been certified by the American Gas Association, the Canadian Gas Association and Underwriters Laboratories to meet appropriate codes for use in North America. In addition, these products are approved for sale in the state of Massachusetts.

The Information presented herein is based on the best data available and is believed to be correct. However, nothing stated herein is to be taken as warranty expressed or implied, regarding the accuracy of the information or the use of our product(s). Specifications are subject to change without notice. Such revisions do not entitle the buyer to corresponding changes, improvements, additions, replacements or compensation for previously purchased products.

Due to continuing product improvements, AGA Marvel reserves the right to amend specifications without notice. Please contact AGA Marvel for the most up to date information, as it applies to product being purchased, or download the latest Design Guide from [www.aga-ranges.com](http://www.aga-ranges.com).

**Note: The 2,3 and 4 Oven AGA MUST be installed by an authorized AGA installer. Failure to do so will void product warranty. To locate your nearest installer, contact your dealer, visit our website [www.aga-ranges.com](http://www.aga-ranges.com) or call 1-800-223-3900.**

AGA is distributed in North America by AGA Marvel, 1260 East Van Deinse Street Greenville, MI 48838 Tel:800-223-3900

Due to continuing product improvements, AGA Marvel reserves the right to amend specifications without notice. Please contact AGA Marvel for the most up to date information, as it applies to product being purchased, or download the latest Design Guide from [www.aga-ranges.com](http://www.aga-ranges.com).



## 2, 3 and 4 Oven AGA Cooker

PLEASE READ BEFORE ORDERING

AGA cookers are made to order and built in your home by an authorized AGA fitter. As each site is different, each AGA configuration is different. Therefore it is important to review the following site requirements prior to placing an order. Hearth preparation, gas lines vent pipe options and electrical power needs must be assessed to determine the proper configuration. We strongly recommend a home survey with the authorized fitter who will be performing your installation. This will ensure the proper configuration is ordered and materials needed will be available for installation. Ordering the wrong configuration could result in an installation delay.

To locate the authorized fitter nearest you, visit our website at [www.aga-ranges.com](http://www.aga-ranges.com) or call Customer Care at 800-223-3900.

### SITE PREPARATION

Weight:

Floor must be able to support the weight of the cooker. A location over or adjacent to a load-bearing wall is normally sufficient. The addition of a support joist from below may be needed. Your site surveyor will determine if this is necessary.

- 2 and 3 Oven 900 pounds
- 4 Oven 1300 pounds

### PLINTH

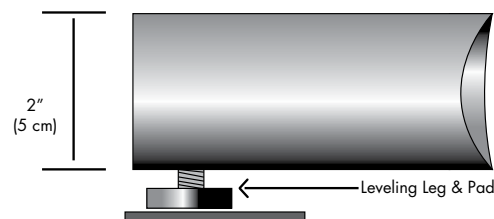
AGA cookers can be built on a plinth or hearth or both. A pre-fabricated Plinth can be ordered with your cooker. This is a steel-constructed frame which comes in three separate units to allow for custom configuration. It is adjustable and can raise the cooker 1½". The face of the hearth will accept certain adhesives and can be finished with wood, tile, etc.

### NOTE:

If more height is required a hearth will need to be built in conjunction with the pre-fab Plinth or in lieu of the plinth.

- 2 or 3 Oven AGA - order A4117
- 4 Oven AGA - order A4117 and A4118
- Module attached to any cooker - order cooker Plinth# A4119

### PLAN VIEW OF PRE-FABRICATED HEARTH



Side view of pre-fabricated plinth.

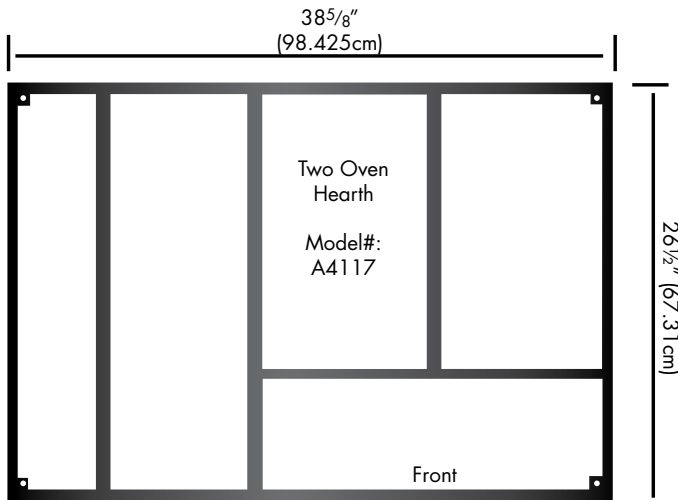


The finished overall dimensions for the Plinths are as follows.

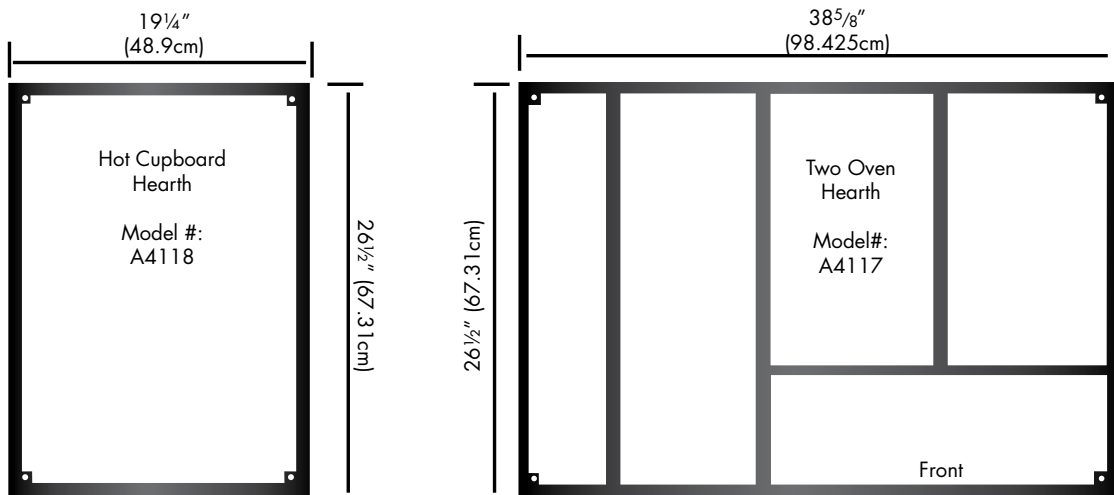
Important: You must subtract Plinth measurements from oven measurements for thickness of finish material to be used on the front and sides of the Plinth.

Important: Depth dimensions include the 1½”(3.81cm) space required for clearance to a combustible wall (In the case of a non-combustible wall (solid masonry) ¼”(0.75cm) clearance must be maintained). General counter opening is 38¾”(98.5cm) for a 2 or 3 Oven and 58⅞”(148.75cm) for a 4 Oven. Since the cooker’s top plate has a bevelled edge, enough room must be left to remove the top for servicing, therefore opening requirements for various countertop edge finishes can vary and should be reviewed at your site survey to determine the appropriate opening. When possible, we recommend the cooker be installed prior to cabinet and countertop installation.

2 and 3 Oven: 38¼”(97.25cm) wide x 26½”(67.31cm) deep without bar (29¾”(75.75cm) with towel bar) x height as required



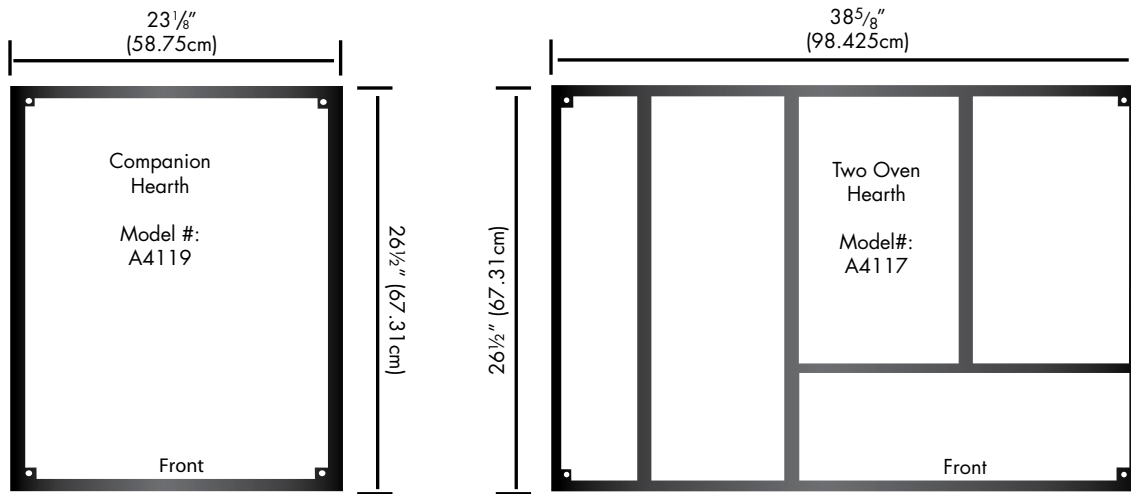
4 Oven: 58½” wide x 26½” deep without bar (29¾” with towel bar) x height as required



Due to continuing product improvements, AGA Marvel reserves the right to amend specifications without notice. Please contact AGA Marvel for the most up to date information, as it applies to product being purchased, or download the latest Design Guide from [www.aga-ranges.com](http://www.aga-ranges.com).



2 or 3 Oven with Companion: 61 $\frac{3}{4}$ "(157cm) wide x 26 $\frac{1}{2}$ "(67.31cm) deep without bar (29 $\frac{3}{4}$ "(75.75cm) with towel bar) x height as required



The AGA cooker cannot be moved once installed. At no time should joints be made inaccessible. A manual shut off valve is supplied in the burner compartment. Most local codes require an external shut off valve upline from the cooker that is easily accessible. A drip leg or dirt pocket should be used at the bottom of the supply line and should be accessible for cleaning or emptying.

## Gas Plumbing

Burner capacity:	Maximum input of 15,000 BTU's per hour
Required gas pressure	NG - 6-12 inches w.c. (1.74-2.98 kPa) LPG - 11-14 inches w.c. (2.74-3.48 kPa)
Burner manifold pressure:	NG - 4 inches w.c. LPG - 10 inches w.c.
Gas pipe size:	Gas connection is 3/8" N.P.T.



## Electrical Requirements

The following is required for 2 Oven (A20-E) and 4 Oven (A40-E) electric models.

Electrical requirements:	220-240 Volt, 15 amp circuit
Energy usage:	2.5 kw/hour
Venting:	Unlike gas models, these models do not require venting to the outside so they can be sited anywhere in the kitchen.
Hood requirement:	An overhead hood is not required, however if one is desired, it may be no more than 300 CFM.

## Ventilation

### Room Ventilation

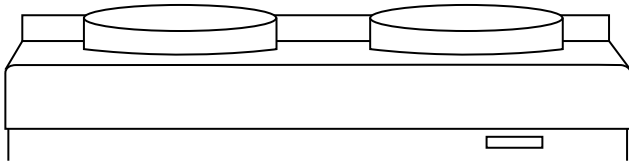
Your kitchen needs to be designed for cross ventilation or adequate air circulation. When in use, the AGA generates far less heat than conventional ranges or ovens, which often generate up to 50,000 BTU/hour. This issue will be addressed during your site survey and should also be discussed with your kitchen designer or heating/cooling contractor.

These are separate models and are not convertible from one to the other. Each vent type has specific installation requirements. Please see the section of this book specific to your vent type for details. A certified AGA fitter will determine which venting option best suits your home. To find out more about a site survey contact your local authorized AGA retailer.

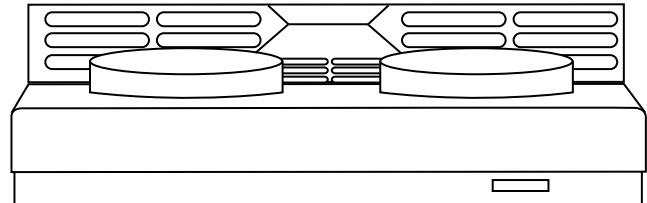
Vent Type	Location	Models Available
Standard Vent	Through roof	2,3 and 4 Oven Gas
Direct Vent	Directly behind unit	2 and 4 Oven Gas*
Power Vent	Anywhere	2 and 4 Oven Gas
Electric	N/A	2 and 4 Oven Electric

**\*Note: Wall cannot be thicker than 22"**

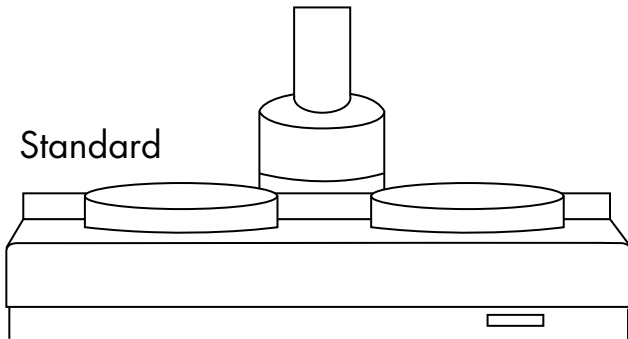
Direct



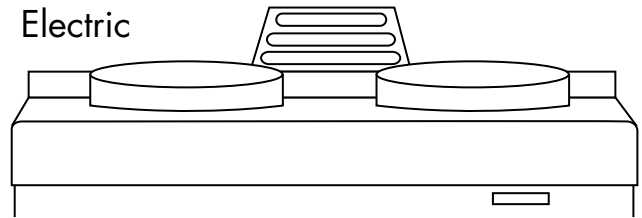
Power



Standard



Electric



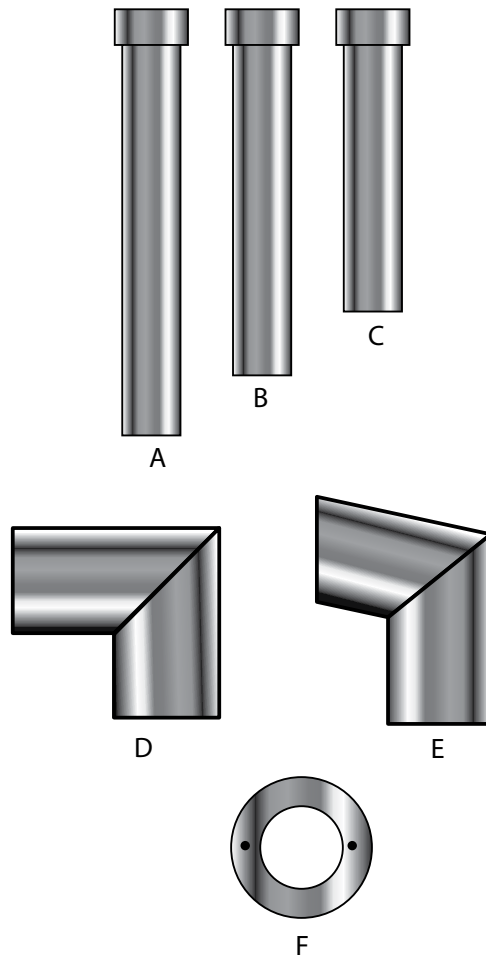
## Standard Vent

(A20-SV, A30-SV, A40-SV Models)

Standard Vent is recommended when there is a choice among the three gas cooker options. It uses a vertical flue or chimney to send exhaust gas through the roof. If a masonry chimney is already in place where the cooker will be located, it may serve as the flue if it meets the requirements listed below. Otherwise, a 4" (10.25cm) (inside diameter), type B gas vent can be installed. Type B gas vent is a double wall metal vent with an outside diameter of approximately 5 (12.75cm) inches.

Black enameled pipe can make an aesthetic connection from the cooker to the flue or chimney. It is constructed of 4" diameter black enamel steel and may be ordered with your cooker or through your installer.

This decorative flue pipe is designed for use in the open space above the Standard Vent cooker. When the pipe transitions through a wall, cabinetry, or any other transition, a 5" (12.75cm) double wall Type B vent must be used. Refer to local building codes for details. Consult with your fitter to determine the quantity of pipe you require.



A - 4"D x 48"L Straight Length Model# - P1149

B - 4"D x 36"L Straight Length Model# - P1021

C - 4"D x 24"L Straight Length Model# - P1020

D - 4" 90 Elbow Model# - P1095 Steel w/ door

E - 4" 35° Elbow Model# - P1150 w/ door, Model# - P1141 w/o door

F - Sealing Collar - Enamel



## Requirements

### Masonry Chimneys

- Must be lined, clean and in good condition.
- Must have a flue size between 6”(15.25cm) and 8”(20.5cm) in diameter. Larger flues will need a liner.

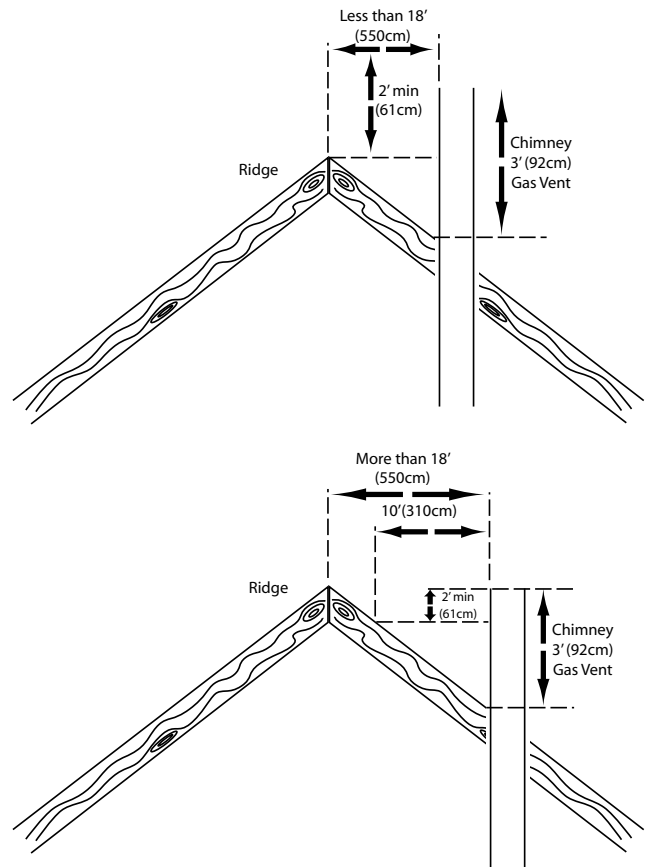
### Type B Gas Vent

- Must be installed in accordance to the instructions provided by the vent manufacturer.
- Requires a 1”(2.54) clearance to all combustible materials. Effectively occupies a space of roughly 7”(18cm) in diameter even though the vent is only about 5”(12.75cm) in diameter.

### All Standard Vent Systems

- Must Extend at least 3’(91.5cm) above any roof penetration and exceed to a point at least 2’(61cm) higher than anything within a horizontal distance of 10’(305cm).
- Should be routed as vertically as possible avoiding 90° elbows and horizontal runs where possible. The length of horizontal vents (plus 5’(153cm) per 90° elbow plus 3’(91.5cm) per 45° elbow) must not exceed the length of the vertical portion of the system. Minimum slope is ¼”(0.75cm) per foot. Minimum of 2’(61cm) rise is required before use of 90° elbow.
- Cannot be shared by appliances using different fuels. Be sure to check if local gas venting codes apply. If so, find out the regulations. Fire stops are required by code where flue pipe passes through floors or walls.
- The above information covers requirements of national codes and should be sufficient in most locations.

**Note: 90° bends should be avoided if possible.**





## Model: 2 & 3 Oven Standard Vent

### Dimensions and clearances

**Dimension A:** Width of cooker at widest point. Add ¼” (0.64cm) for cabinet opening to give ⅝” (0.32 cm) clearance on either side for assembly and servicing of AGA (i.e., 58¾” (149.225cm) cabinet opening for a four-oven and 39 ⅝” (99.4cm) for a two-oven.)

**Dimension D:** Depth of the cooker, includes the 1½” (3.81cm) rear clearance to combustible walls (¼” (.635cm) to non-combustible surface).

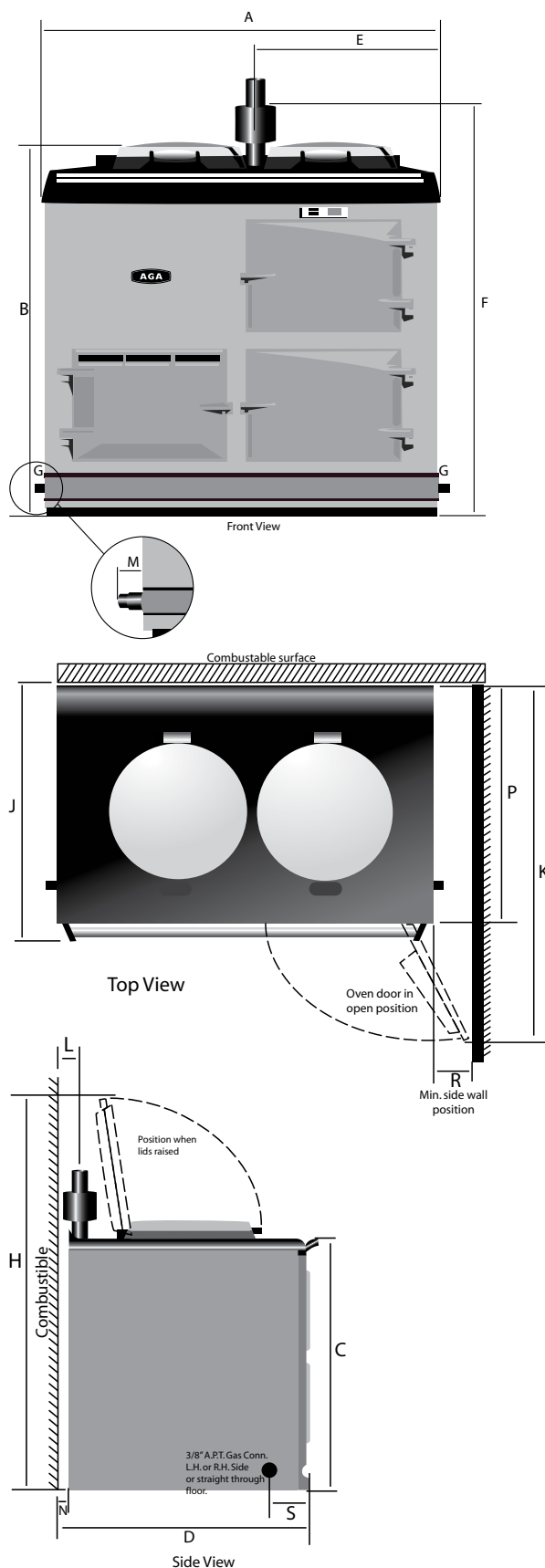
**Dimension G:** Gas Connection can be left hand, right hand or straight down through the floor(not shown). Consult your installer.

**Dimension R:** Clearance from right-hand side. Applies only when a cabinet or wall extends beyond (in front of) the AGA. The oven doors must be able to open beyond 90° because of their extra thick insulation.

**Dimension F:** Height to top of the flue collar. The vent pipe fits inside and penetrates 1” (2.55cm). Therefore, the bottom of the vent pipe is 40½” (102.87cm) above the base of the AGA. Add the height of the hearth to get the dimension above the floor.

Note: Any cabinets installed over an AGA must be at least 30” (76.2cm) above the cook top and may not project more than 13” (33.25cm) from the wall.

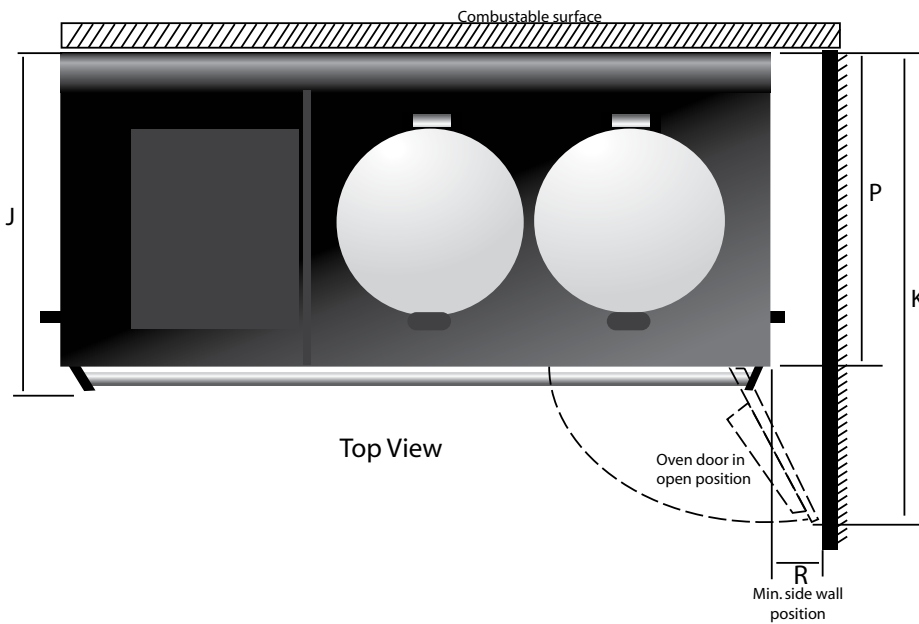
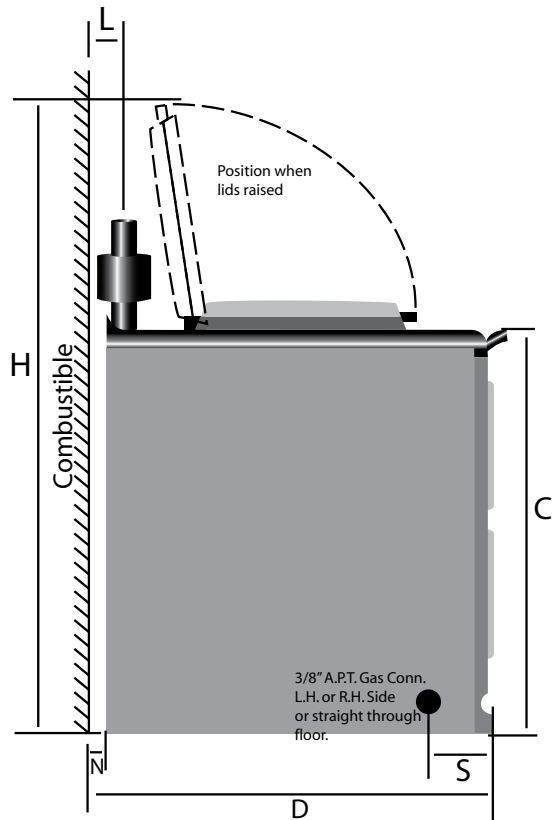
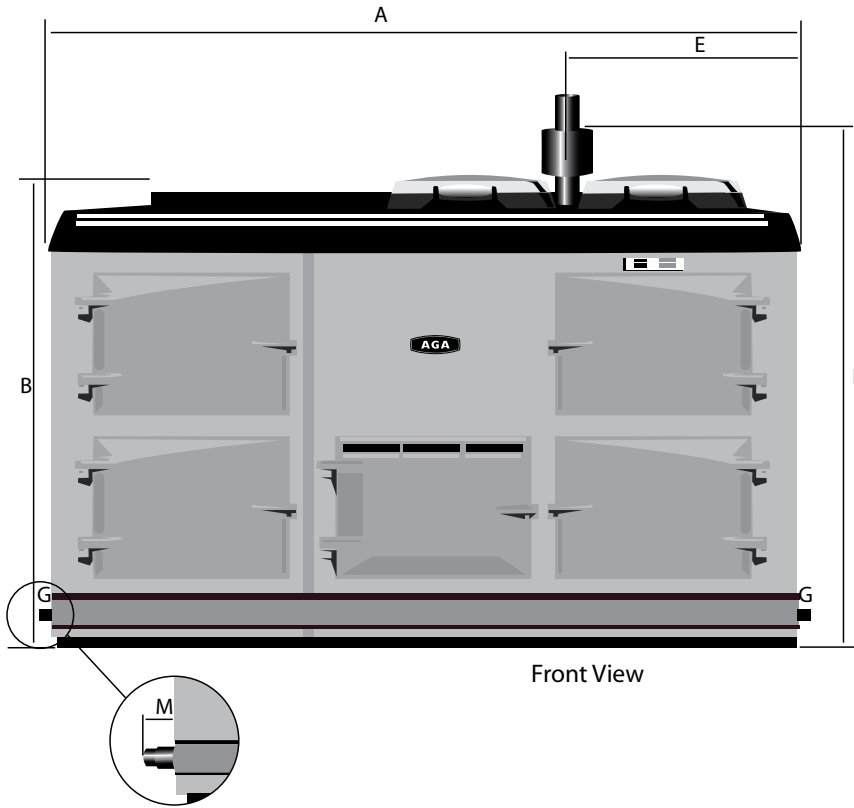
	Inches	cm
A	38 7/8	98.7
B	35	88.9
C	33 1/2	85.1
D	28 7/8	73.3
E	18 3/8	46.7
F	40 1/2	102.8
G	1 1/2	3.8
H	51 3/4	131.4
J	29 3/4	75.6
K	44 5/16	112.5
L	4 3/8	11.1
M	3/4	1.9
N	1 1/2	3.81
P	27 1/2	70
R	6	15.2
S	2	5.1



Due to continuing product improvements, AGA Marvel reserves the right to amend specifications without notice. Please contact AGA Marvel for the most up to date information, as it applies to product being purchased, or download the latest Design Guide from [www.aga-ranges.com](http://www.aga-ranges.com).



# Model: 4 Oven Standard Vent



Side View  
Inches cm

A	58½	149
B	35	88.9
C	33½	85.1
D	28 <sup>7</sup> / <sub>8</sub>	73.3
E	18 <sup>3</sup> / <sub>8</sub>	46.7
F	40½	102.8
G	1½	3.8
H	52 <sup>3</sup> / <sub>8</sub>	133
J	29 <sup>3</sup> / <sub>4</sub>	75.6
K	44 <sup>5</sup> / <sub>16</sub>	112.5
L	4 <sup>3</sup> / <sub>8</sub>	11.1
M	<sup>3</sup> / <sub>4</sub>	1.9
N	1½	3.81
P	27½	70
R	6	15.2
S	2	5.1

Note: Please allow ¼" to non-combustible surface for servicing.

Due to continuing product improvements, AGA Marvel reserves the right to amend specifications without notice. Please contact AGA Marvel for the most up to date information, as it applies to product being purchased, or download the latest Design Guide from [www.aga-ranges.com](http://www.aga-ranges.com).



## Direct Vent

(A20-DV, A40-DV Models)

Direct Vent models discharge directly out the back of the cooker and straight through an exterior wall. The entire combustion system, including the combustion air intake, is sealed to the outside.

Direct Vent is recommended when the installation of a Standard Vent isn't possible or in a super-insulated home where the make-up for combustion may not be adequate or practical due to airtight construction.

### Direct Vent Requirements

- Must be located on an exterior wall no thicker than 22" (56cm). The vent pipe going out the back must go directly through the wall without any bends.
- Must be located so that the termination of the vent is at least 9" (23cm) from any opening into the building.
- Must be located so that the termination of the vent is at least 2' (61cm) below any projection such as eaves or a balcony.
- Must be located so that the termination of the vent is at least 2' (61cm) from any building inside or outside corner and at least 10' (305cm) from any nearby buildings.

### Terminal Position

### Minimal Distance Natural Draft

A	Directly below an operable window or other opening (i.e. air, brick)	12" (31cm)
B	Below gutters, soil or drain pipes	12" (31cm)
C	Below eaves	12" (31cm)
D	Below balconies or a car port roof	24" (61cm)
E	From vertical drain pipes and soil pipes	3" (8cm)
F	From internal and external corners	24" (61cm)
G	Above ground, roof or balcony level	12" (31cm)
H	From a surface facing a terminal	24" (61cm)
I	From a terminal facing a terminal	24" (61cm)
J	From an opening in the carport (i.e. door, window) into dwelling	48" (122cm)
K	Vertically from a terminal on the same wall	60" (153cm)
L	Horizontally from a terminal on the same wall	12" (31cm)

See Figure 1 on next page.

Please use dimensions I, O & Q to ensure there is no plumbing, wiring or framing in the wall where the tube kit must enter.  
See previous Page for measurements.

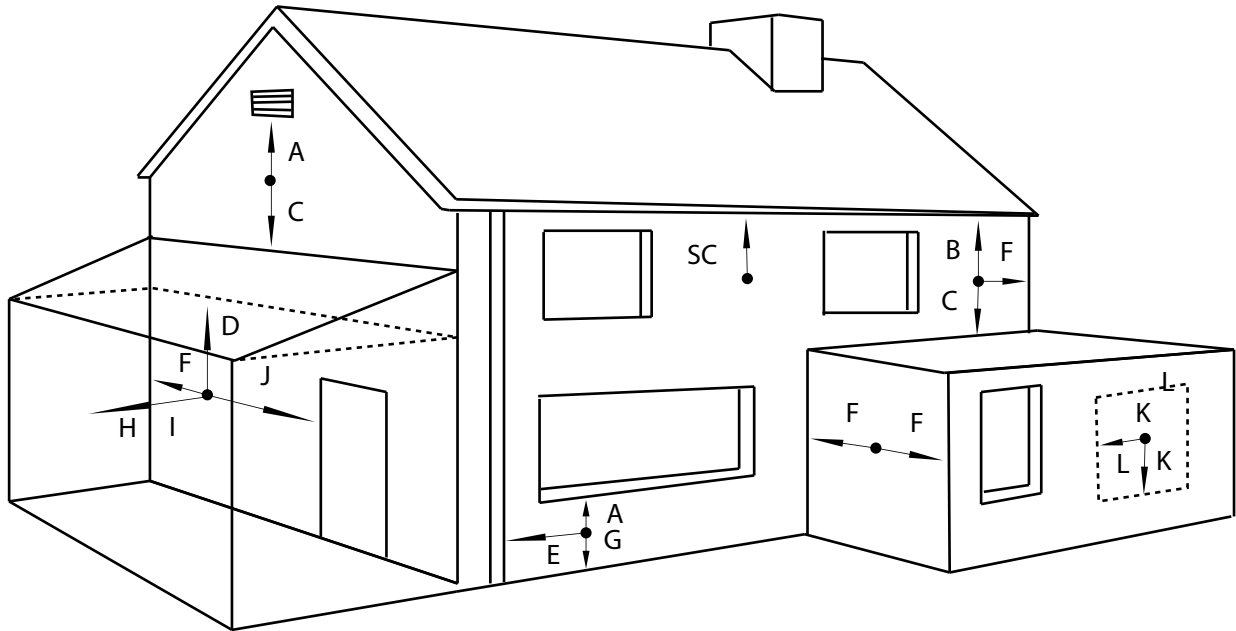
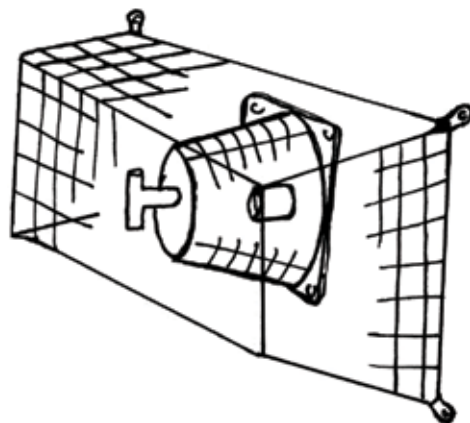


Figure 1





## Model: 2 Oven Direct Vent

### Notes on Dimensions and Clearances

**Dimension A:** Width of cooker at widest point. Add  $\frac{1}{4}$ "(.75cm) for cabinet opening to give  $\frac{1}{8}$ "(.5cm) clearance on either side for assembly and servicing of AGA (i.e.,  $58\frac{3}{4}$ "(149.25cm) cabinet opening for a four-oven and  $39\frac{1}{8}$ "(99.5cm) for a two-oven.)

**Dimension D:** Depth of the cooker, includes the  $1\frac{1}{2}$ "(3.81cm) rear wall clearance to combustible walls ( $\frac{1}{4}$ "(.625cm) to non-combustible surface).

**Dimension G:** Gas Connection can be left hand, right hand or straight down through the floor(not shown). Consult your installer.

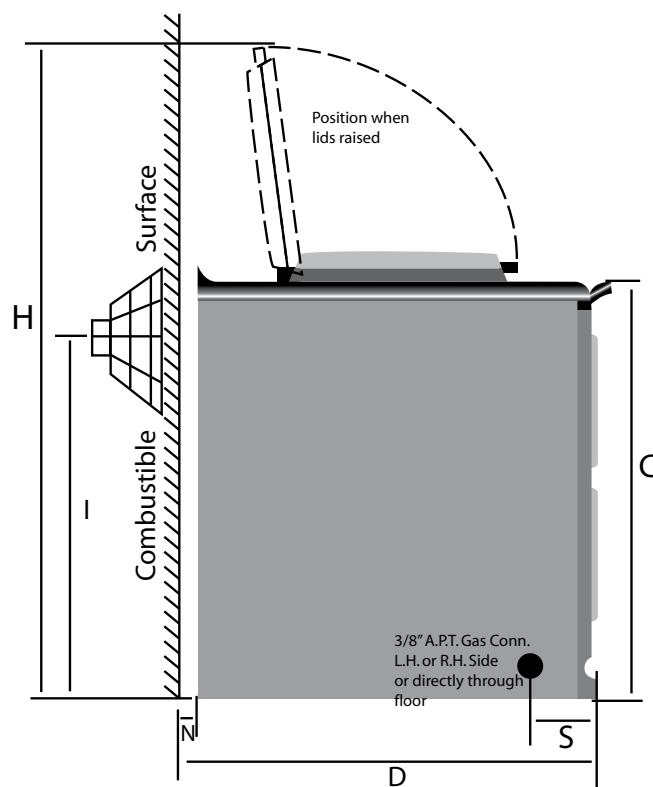
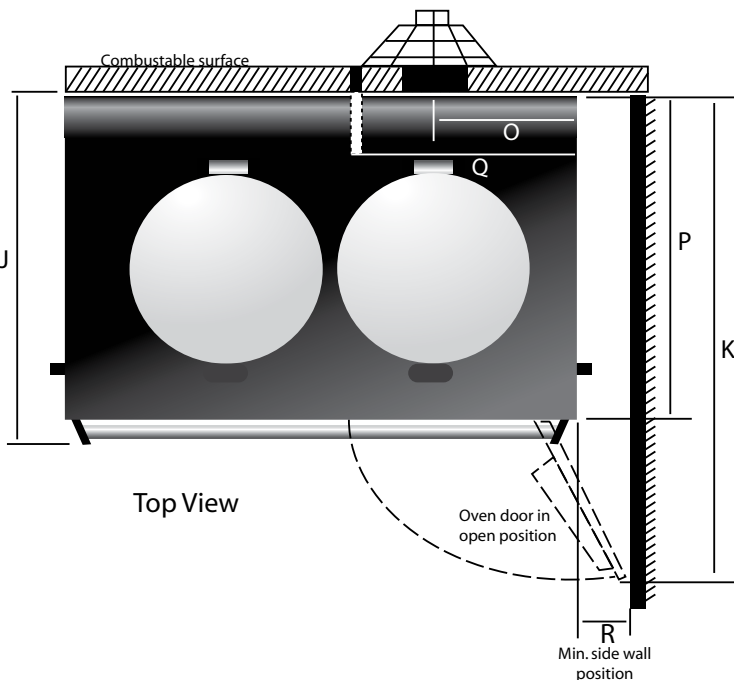
**Dimension R:** Clearance from right-hand side. Applies only when a cabinet or wall extends beyond (in front of) the AGA. The oven doors must be able to open beyond  $90^\circ$  because of their extra thick insulation.

**Dimension I:** Distance above the hearth to the center line of both direct tubes. Consult installer prior to drilling hole as venting tube must be at an angle of  $1.5^\circ$ .

Optional Gas Connection/  
Dimension G, S, M: Optional through-the-floor gas connection requires a 2"(5.25cm) diameter hole in the hearth and floor centered for the Mark III burner  $28\frac{1}{2}$ "(72.5cm) from the right, set  $1\frac{3}{4}$ "(4.5cm) from the front.

Note: Any cabinets installed over an AGA must be at least 30"(76.2cm) above the cook top and may not project more than 13"(33.25cm) from the wall.

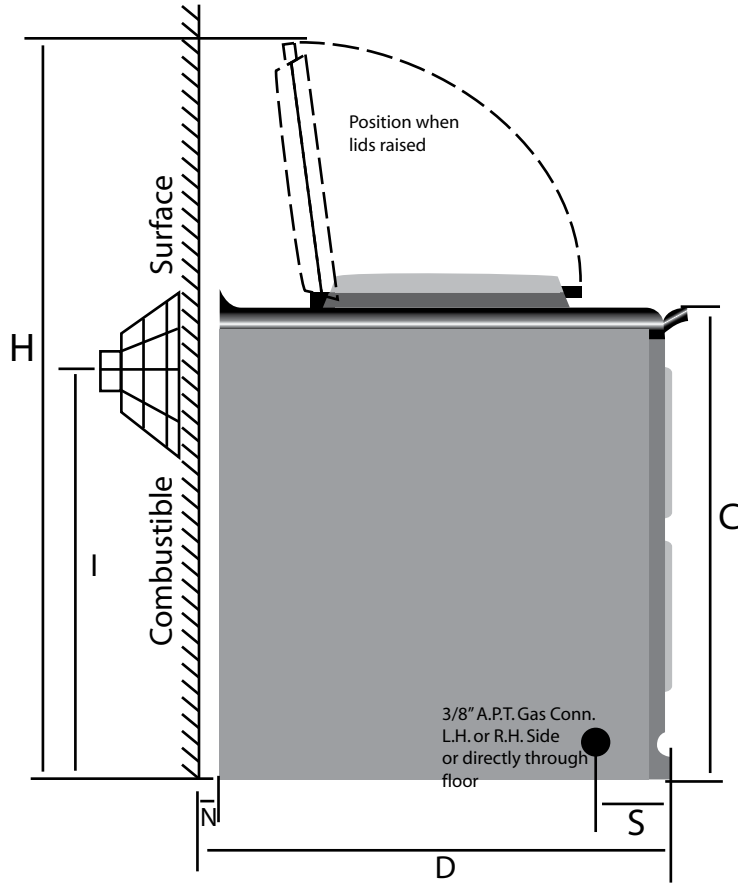
	Inches	cm
A	$38\frac{7}{8}$	98.7
B	35	88.9
C	$33\frac{1}{2}$	85.1
D	$28\frac{7}{8}$	72.3
E	$18\frac{3}{8}$	46.7
F	$40\frac{1}{2}$	102.8
G	$1\frac{1}{2}$	3.8
H	$51\frac{3}{4}$	131.4
I	$29\frac{3}{4}$	76
J	$29\frac{3}{4}$	75.6
K	$44\frac{5}{16}$	112.5
L	$4\frac{3}{8}$	11.1
M	$\frac{3}{4}$	1.9
N	$1\frac{1}{2}$	3.81
O	$12\frac{7}{8}$	32.8
P	$26\frac{3}{4}$	67.9
Q	$16\frac{3}{8}$	41.6
R	6	15.2
S	2	5.1



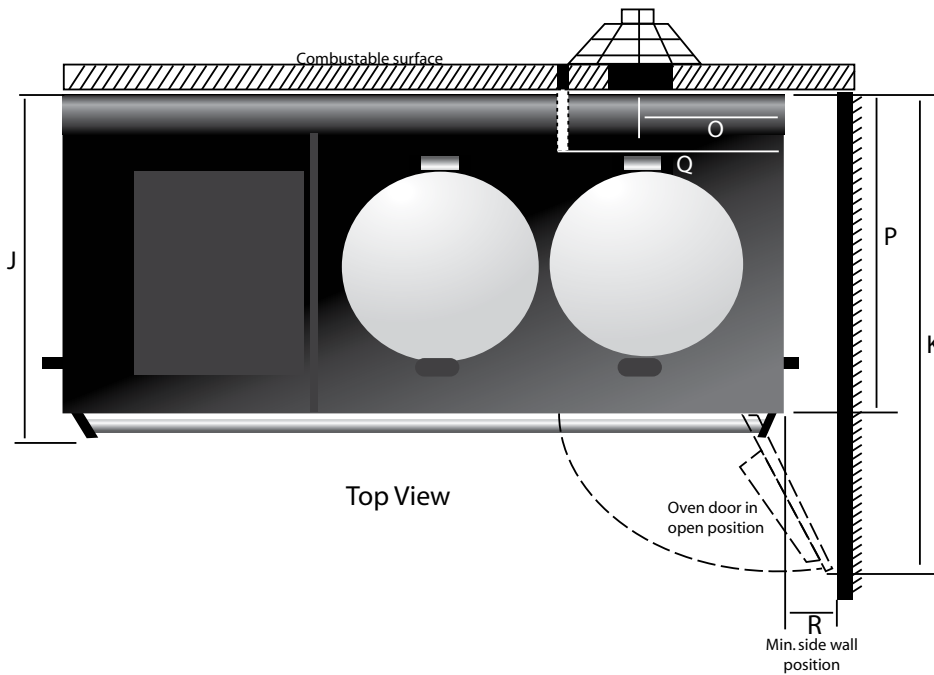
Side View

Due to continuing product improvements, AGA Marvel reserves the right to amend specifications without notice. Please contact AGA Marvel for the most up to date information, as it applies to product being purchased, or download the latest Design Guide from [www.aga-ranges.com](http://www.aga-ranges.com).

# 4 Oven - Direct Vent



Side View



Top View

	Inches	cm
A	58½	149
B	35	88.9
C	33½	85.1
D	28 <sup>7</sup> / <sub>8</sub>	68.5
E	18 <sup>3</sup> / <sub>8</sub>	46.7
F	40½	102.8
G	1½	3.8
H	52 <sup>3</sup> / <sub>8</sub>	133
I	29 <sup>3</sup> / <sub>4</sub>	76
J	29 <sup>3</sup> / <sub>4</sub>	75.6
K	44 <sup>5</sup> / <sub>16</sub>	112.5
L	4 <sup>3</sup> / <sub>8</sub>	11.1
M	<sup>3</sup> / <sub>4</sub>	1.9
N	1½	3.81
O	12 <sup>7</sup> / <sub>8</sub>	32.8
P	27½	70
Q	16 <sup>3</sup> / <sub>8</sub>	41.6
R	6	15.2
S	2	5.1

Due to continuing product improvements, AGA Marvel reserves the right to amend specifications without notice. Please contact AGA Marvel for the most up to date information, as it applies to product being purchased, or download the latest Design Guide from [www.aga-ranges.com](http://www.aga-ranges.com).



## Power Vent

(A20-PV, A40-PV Models)

The Power Vent discharges products of combustion by a fan-powered vent pipe 2" (6cm) in diameter, which can reach up to 29'(884cm) with one 90° bend. See the table below for maximum lengths of vent pipe and allowable number of elbows. Downward runs up to 12"(30.5cm) below the appliance are allowed, provided only one downward bend is used. See the diagram on page 21.

Exits from the appliance can be from the left hand or right hand sides, the rear, or throughout the bottom (see Figure 2). The vent pipe must terminate horizontally and protrude through the outside wall fixing plate by 1"(2.54cm)(see Figure 1). A ¼"(.75cm) clearance to combustibles is required for the first four feet of vent pipe.

### Maximum Vent Lengths and Allowable Elbows

Maximum Length of Run	Maximum Elbows (90°)
29'(8.85m)	1
27.6'(8.5m)	2
25.6'(7.9m)	3
23.6'(7.2m)	4
21.6'(6.6m)	5
19.7'(6.1m)	6

### Terminal Position

- The cooker must be installed so that the vent terminal is exposed to the external air and terminal clearance complies with: The National Fuel Gas Codes ANSI Z223 1 latest edition Section 7.7 (U.S.) CAN/CGA-B149 installation code. (Canada)
- Termination should be on a clear expanse of wall, the terminal being no less than 14"(35.75cm) away from a corner, recess or projection.
- A hole must be cut through an outside wall with the hole falling 1.5° from inside to outside face of wall.
- Openings in the wall behind or on the floor below the appliance must be sealed using the closure plate.

DO NOT install the terminal:

- Within 12"(30.5cm) measured vertically, from the bottom of an operable window, air vent or any other ventilating opening.
- Within 12"(30.5cm) above adjacent ground level.
- Within 24"(61cm) of any surface facing the terminal.
- Within 14"(35.75cm) or 12"(30.5cm)(Canada) below eaves or balcony.

See diagram on page 20

The terminal must be protected by an installed terminal protective guard to prevent unauthorized contact with the hot terminal surfaces (See Figure 1).



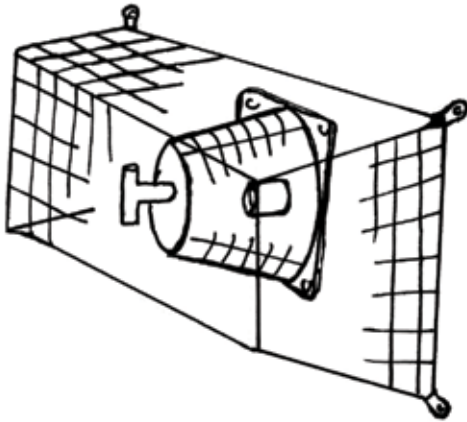


Fig. 1

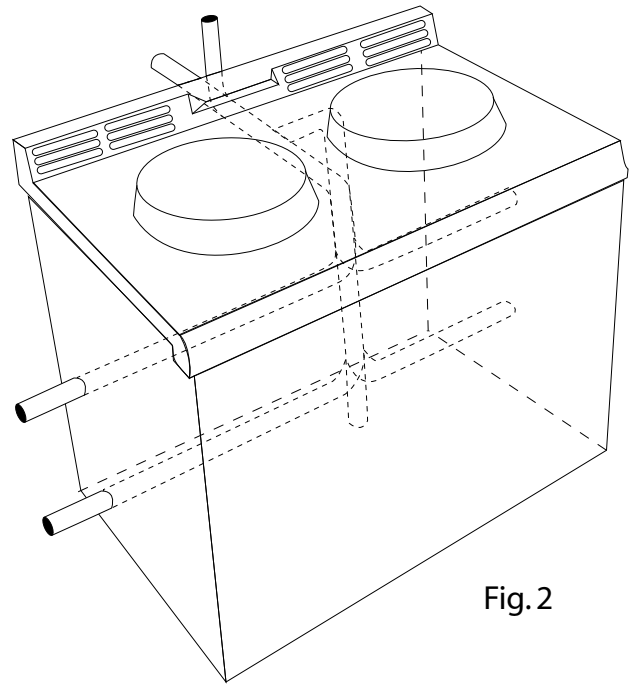


Fig. 2

### Electrical

110/120V 60hz 10AMP flexible cord and plug parallel type is supplied with the cooker. When installed, the appliance must be electrically grounded in accordance with local codes, or, in absence of local codes, with the National Electrical Codes, ANSI/NFPA 70. An electrical receptacle must be provided no more than 4'(122cm) of the left-hand side of the appliance and easily accessible for the user to disconnect. Do not position the receptacle above or behind the appliance.

### Warning!

**This appliance is equipped with a three-prong grounding plug for protection AGAINST shock hazard and should be directly plugged into a proper receptacle. DO NOT CUT OR REMOVE THE GROUNDING PRONG FROM THE PLUG.**

### Internal Air Supply

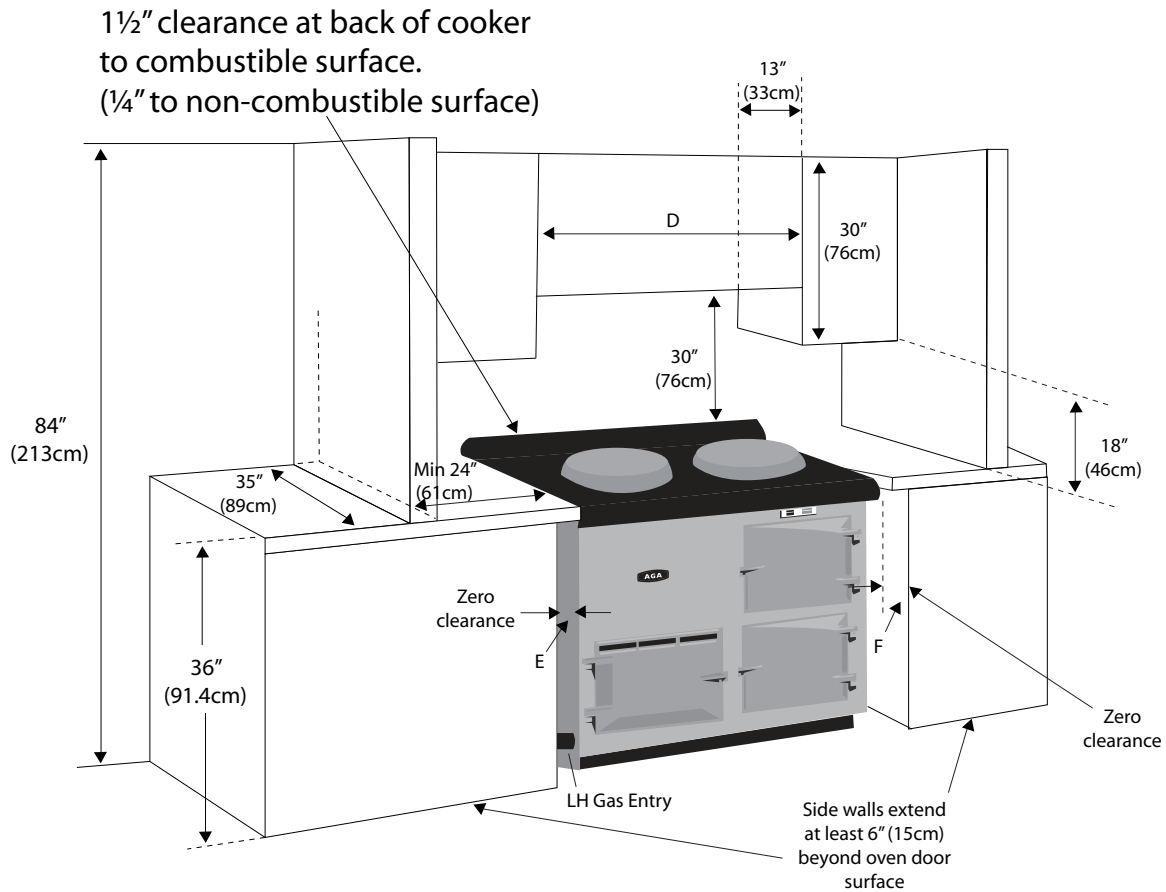
The appliance can only be installed in a room that meets ventilation regulations and has a permanent vent of minimum free air area of 5.5sq" (35.5cm<sup>2</sup>). If an extractor fan is near the cooker, make-up air will be required to satisfy the demands of the fan without influencing combustion efficiency or flue conditions.



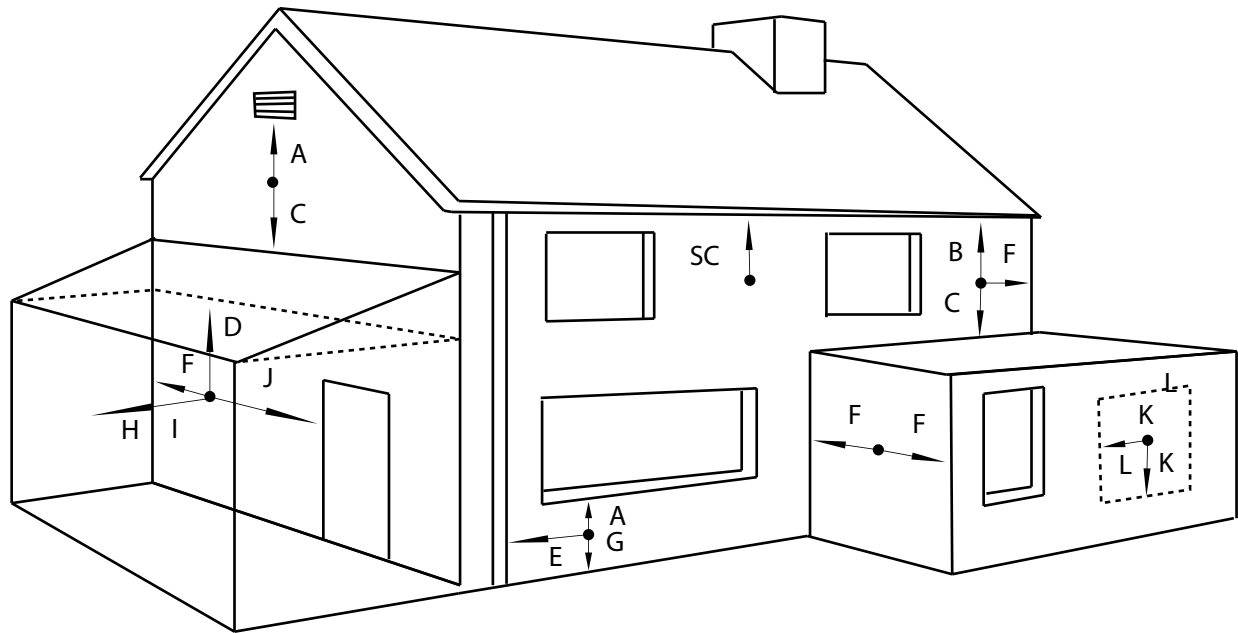
## Installation Clearances of Combustible Cabinets

For right hand gas entry dimensions E & F are reversed.

Any overhead fitted cabinets must not exceed 13" (33.25cm) projected depth above range dimension "D" to be not less than the normal width of the appliance.



## Power Vent Options & Limitations



### Terminal Positions

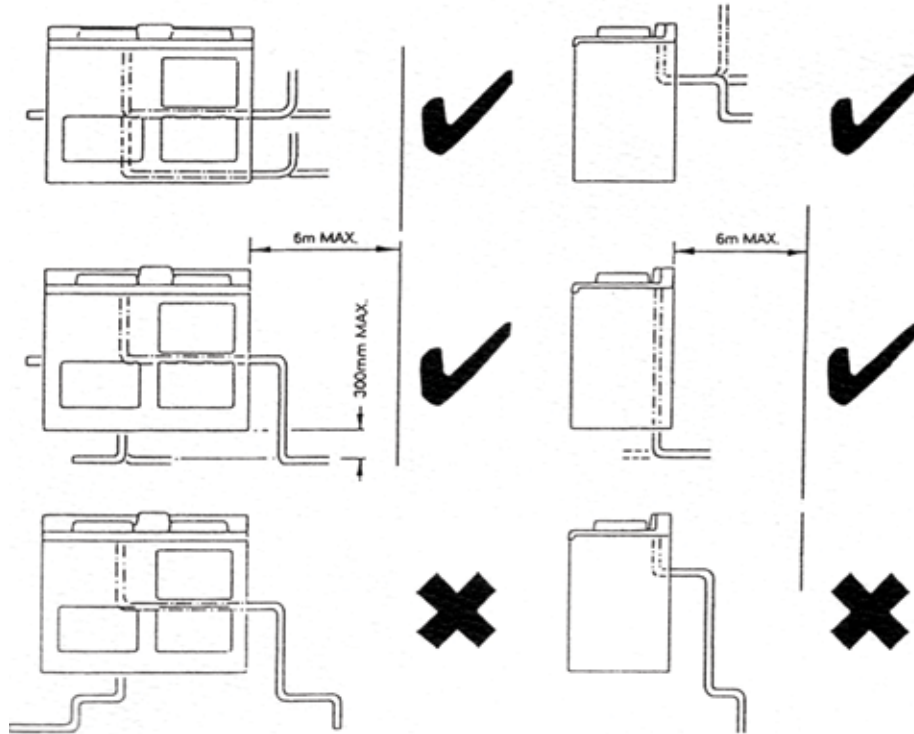
### Min Distance Natural Draft

A	Directly below an operable window or other opening (air brick)	12" (31cm)
B	Below gutters, sil pipes or drain pipes	12" (31cm)
C	Below eaves	12" (31cm)
D	Below balconies or car port roof	21" (54cm)
E	From vertical drain pipes and soil pipes	3" (8cm)
F	From internal and external corners	24" (61cm)
G	Above ground, roof or balcony level	12" (31cm)
H	From a surface facing a terminal	24" (61cm)
I	From a terminal facing a terminal	24" (61cm)
J	From an opening in the car port (door window) into dwelling	48" (122 cm)
K	Vertically from a terminal on the same wall	60" (153cm)
L	Horizontally from a terminal on the same wall	12" (31cm)



Downward runs up to 12" (31cm) below the appliance are allowed, provided only one bend is used.  
Downward runs using 2 bends are not allowed.

### POWER VENT OPTIONS & LIMITATIONS



DOWNWARD RUNS UP TO 300mm (12 inches) BELOW THE APPLIANCE ARE ALLOWED, PROVIDED ONLY ONE BEND IS USED.

DOWNWARD RUNS USING 2 BENDS ARE NOT ALLOWED.

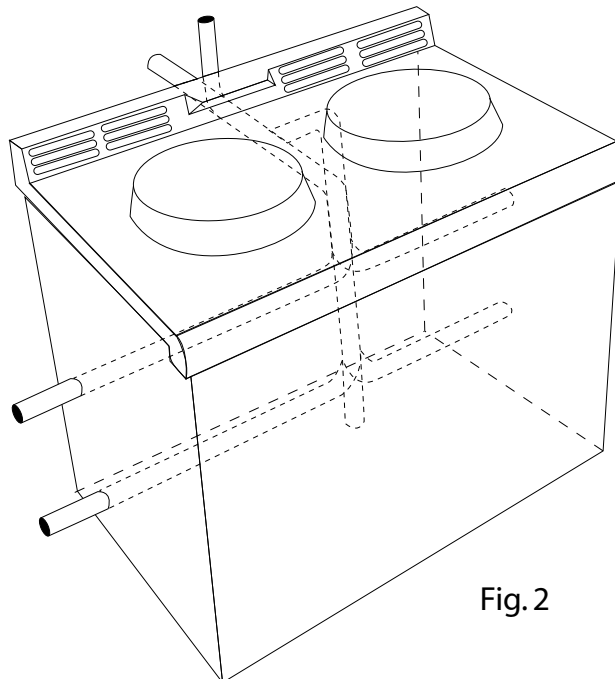


Fig.2

Due to continuing product improvements, AGA Marvel reserves the right to amend specifications without notice. Please contact AGA Marvel for the most up to date information, as it applies to product being purchased, or download the latest Design Guide from [www.aga-ranges.com](http://www.aga-ranges.com).



## Gas Hob Option for 4 Oven AGA

The Gas Hob option (Part number: GHO) replaces the Standard Warming Plate on the 4 Oven AGA with a two-burner cooktop. This option **MUST** be specified at the time of purchase. It can not be retrofit into an existing appliance.

Gas Hob option comes as a separate item and must be installed by a fitter.

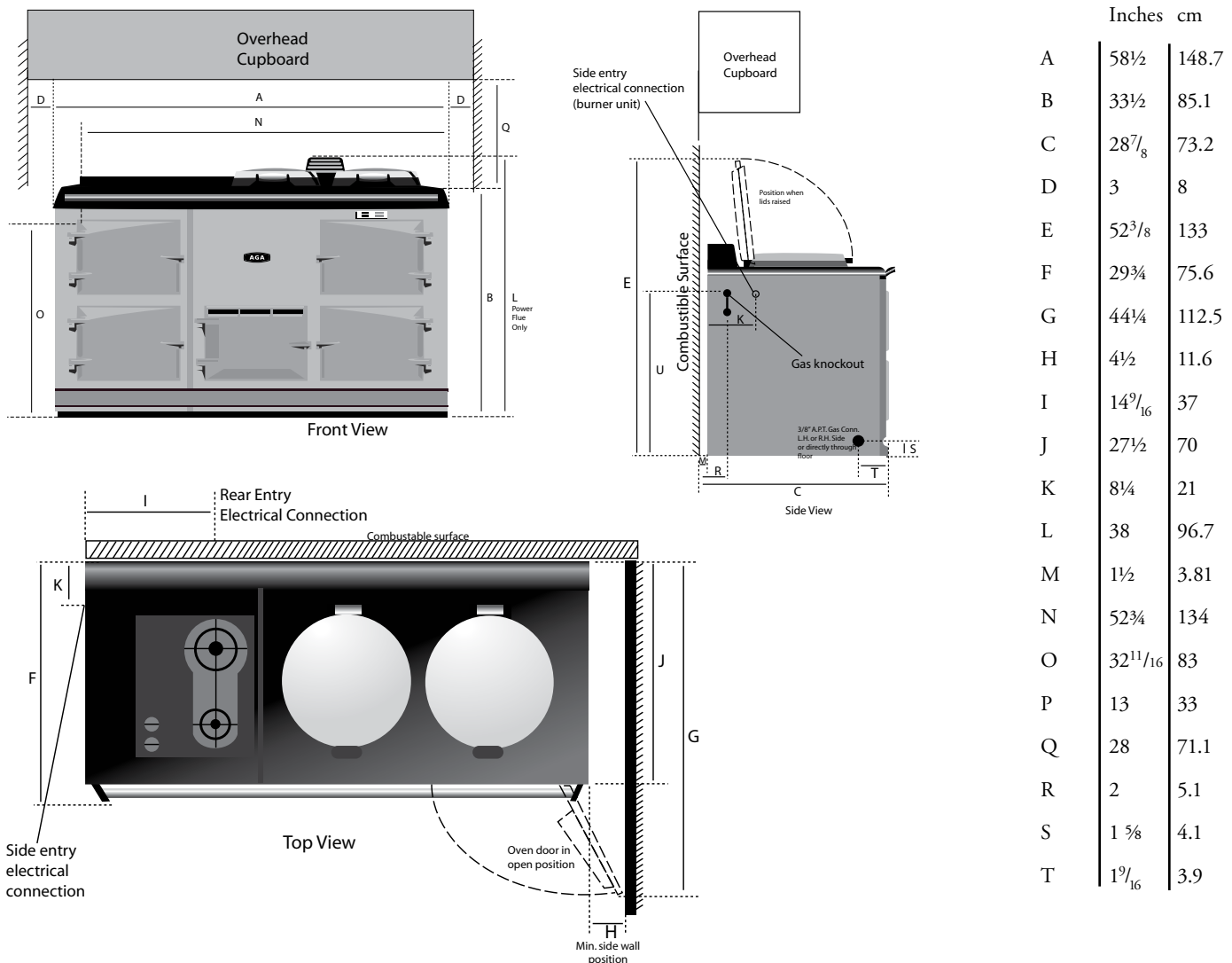
### Gas Requirements

**IMPORTANT: A manual shutoff is required upline from the appliance. Do not fit valve behind the appliance.**

### Electrical Requirements

110/120V 60hz flexible cord and parallel type A 110v receptacle must be provided within six feet (183cm) of the left-hand side of the unit.

**Important: Do not position receptacle above or behind the appliance.**



Due to continuing product improvements, AGA Marvel reserves the right to amend specifications without notice. Please contact AGA Marvel for the most up to date information, as it applies to product being purchased, or download the latest Design Guide from [www.aga-ranges.com](http://www.aga-ranges.com).



## 4 Oven AGA with Module

The Gas Hob option (Part number: GHO) replaces the Standard Warming Plate on the 4 Oven AGA with a two-burner cooktop. This option **MUST** be specified at the time of purchase. It can not be retrofit into an existing appliance.

Gas Hob option comes as a separate item and must be installed by a fitter.

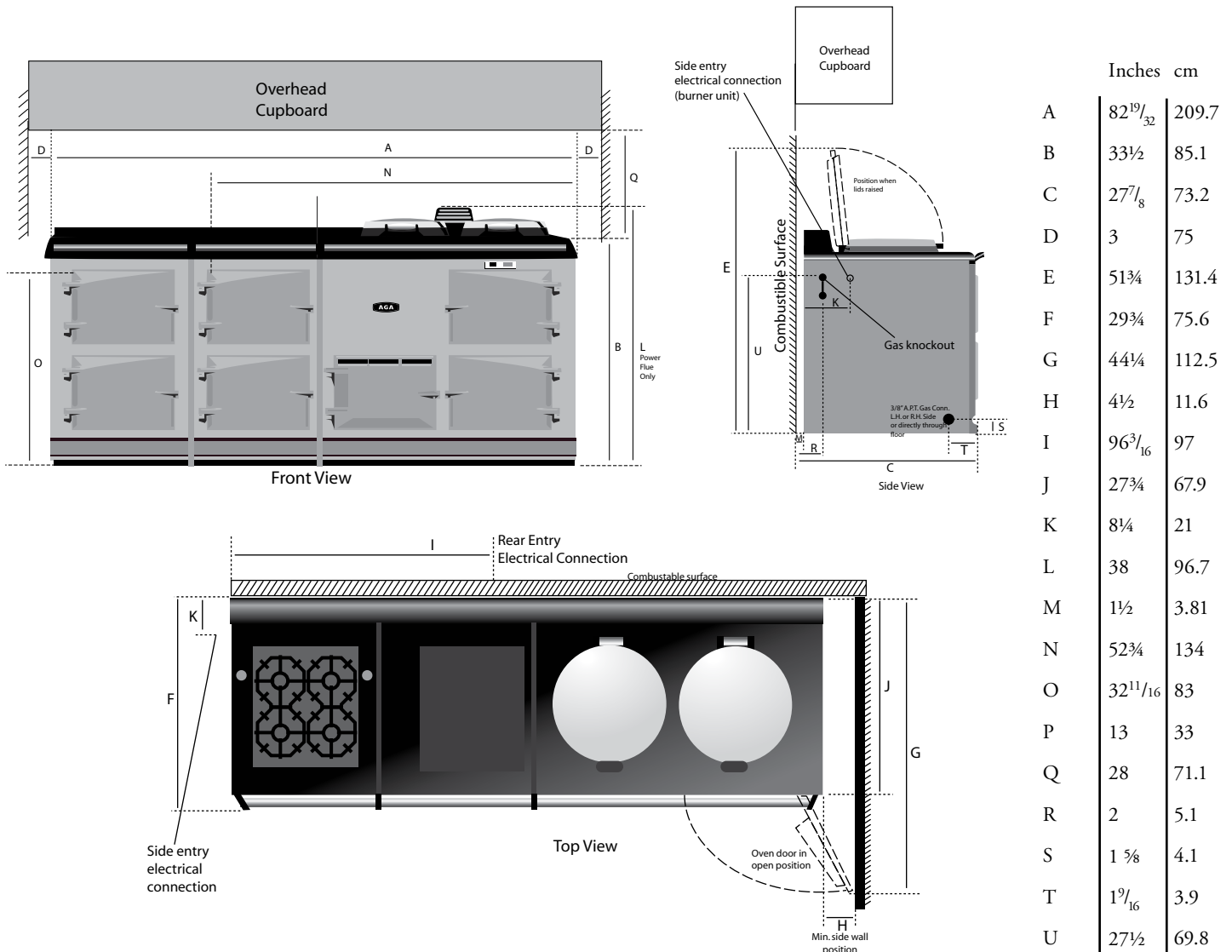
### Gas Requirements

**IMPORTANT: A manual shutoff is required upline from the appliance. Do not fit valve behind the appliance.**

### Electrical Requirements

110/120V 60hz flexible cord and parallel type A 110v receptacle must be provided within six feet (183cm) of the left-hand side of the unit.

**Important: Do not position receptacle above or behind the appliance.**



Due to continuing product improvements, AGA Marvel reserves the right to amend specifications without notice. Please contact AGA Marvel for the most up to date information, as it applies to product being purchased, or download the latest Design Guide from [www.aga-ranges.com](http://www.aga-ranges.com).

## 6-4 Series

(6:4 FFD)

### Planning Information

The following specifications provide overall dimensions, finished rough opening dimensions and gas/electrical requirements for the AGA 6-4 Series dual fuel model. Please follow these guidelines when planning your installation to avoid damage to your range and/or surrounding cabinetry. Refer to the installation guide included with your range for specific installation instructions.

Please be sure to consult a qualified electrician and ensure the installation conforms to all national and local electrical codes and gas regulations.

### Electrical Requirements

The electrical connection is located at the top right-hand side of the appliance behind the side panel. The right side panel of the appliance must be removed in order to make the electrical connections. (See fig. 2)

This appliance requires a dedicated 240 volt, 60hz, 30 amp four-wire, electrical supply. It can be fitted with a UL-approved 30 amp range cord that matches a four-wire receptacle type 14-30R. An electrical socket type 14-30R must be provided no more than 4 feet (122cm) from the left hand rear side of the range and accessible for disconnection.

**Important: Do not position the socket above or behind the range.**

**Important: Electrical grounding is required on this appliance.**

**Warning: This appliance must be completely isolated from the electrical supply prior to servicing.**

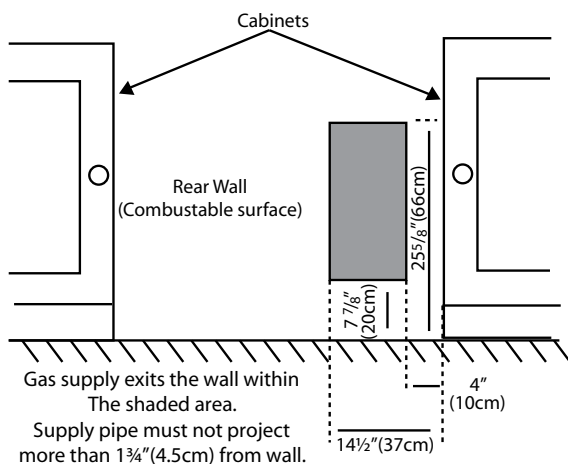


Fig. 1

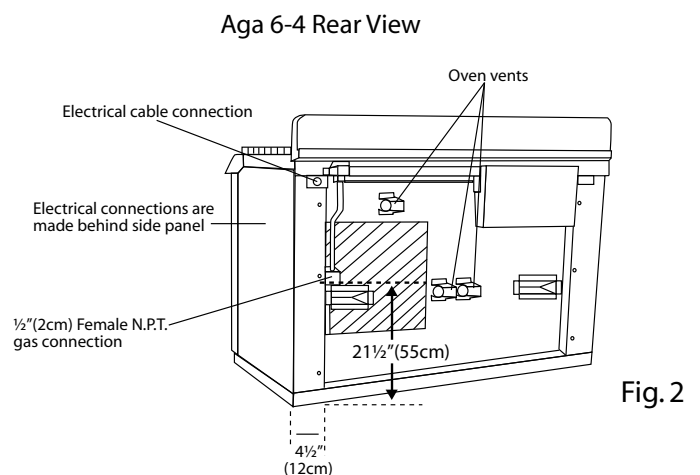


Fig. 2



## Gas Requirements

The gas feed is located on the center left hand rear of the unit. The appliance is supplied with a 1/2" (1.5cm) female NPT fitting. (See Fig. 2 on page 23)

The maximum gas inlet pressure at the appliance must not exceed 10" w.c. for natural gas and 14" w.c. for LPG.

The minimum gas inlet pressure at the appliance must not be less than 5" w.c. for natural gas and 11" w.c. for LPG.

The regulator is preset for either LPG or natural gas, therefore gas type must be specified at the time of order. Maximum heat input is 67,750 NG & 62,180 LP BTU's per hour.

The gas supply should exit the wall in the shaded area as shown in Figure 1. The appliance can be installed with an approved flexible connection. The supply piping should be no less than 3/8" I.D. flexline.

The connection is made to a 1/2" (1.5cm) female NPT fitting located on the right-hand side of the appliance as shown in Figure 2 on page 23.

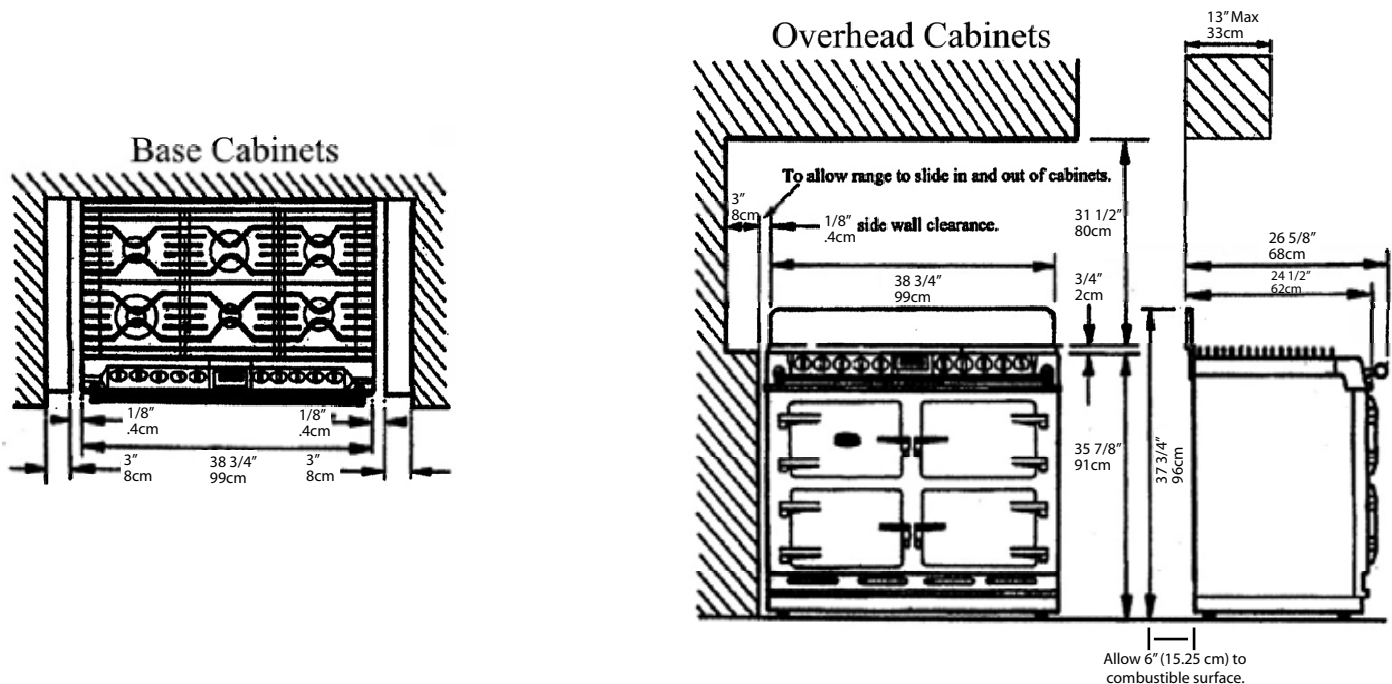
### Assembly

This model is shipped partially disassembled and will require some assembly on site. Please refer to the installation instructions included with the appliance for details.

### Unit Placement

The side wall clearance above the cooktop must be greater than 3" (8cm). Surfaces over the top of the range must not be closer than 28" (72cm) and must not exceed 13" (33cm) in depth. The vent slots in the rear of top plate must not be obstructed. A minimum clearance of 39" (99cm) must be available at the front of the range to allow for servicing. The appliance is set on rollers which provide front to back movement, allowing the unit to be rolled into place. When the unit is in place, leveling legs are adjusted down to lift the unit from the rollers and set it into place. Level the surface of the unit under the burner grates to counter top height. The burner grates must be higher than adjoining work surfaces. Please refer to installation instructions included with the appliance for details.

**Important: A manual shut-off valve must be fitted before the metal gas flexiline in an accessible location. Do not fit valve behind range.**



Due to continuing product improvements, AGA Marvel reserves the right to amend specifications without notice. Please contact AGA Marvel for the most up to date information, as it applies to product being purchased, or download the latest Design Guide from [www.aga-ranges.com](http://www.aga-ranges.com).





## Specification: 6-4 Series

	<b>DC6 Model</b>	<b>FFD Model</b>
Overall height	35 <sup>7</sup> / <sub>8</sub> "(91cm) + <sup>3</sup> / <sub>4</sub> "(2cm) for grates	35 <sup>7</sup> / <sub>8</sub> "(91cm) + <sup>3</sup> / <sub>4</sub> "(2cm) for grates
Overall width	38 <sup>3</sup> / <sub>4</sub> "(99cm)	38 <sup>3</sup> / <sub>4</sub> "(99cm)
Overall depth	24 <sup>1</sup> / <sub>2</sub> "(63cm) (26 <sup>5</sup> / <sub>8</sub> "(68cm) with towel bar)	24 <sup>1</sup> / <sub>2</sub> "(63cm) (26 <sup>5</sup> / <sub>8</sub> "(68cm) with towel bar)
Weight	485lbs. (220kg)	485lbs. (220kg)
<b>Burner Ratings</b>		
Front middle and left rear	6,500 BTU NG, 6,150 LPG	6,500 BTU NG, 6,000 LPG
Left front	20,500 BTU NG, 17,000 LPG	15,350 BTU NG, 14,330 LPG
Rear middle	17,000 BTU NG, 14,000 LPG	17,400 BTU NG, 15,350 LPG
Right front and rear	11,000 BTU NG, 10,600 LPG	11,000 BTU NG, 10,250 LPG
<b>Oven Ratings</b>		
Top right oven	2.2 kW, 200-475°F	1.45kW
Bottom left oven	2.2 kW, 200-475°F	2.2kW, 200-475°F
Bottom right oven	1.0 kW, 150-250°F	1.0kW, 150-250°F
Top left oven	2.45 kW	2.45kW
<b>Oven Capacity</b>		
Top right oven	1.2 cu. ft.	1.2 cu. ft.
Bottom left oven	1.1 cu. ft.	1.1 cu. ft.
Bottom right oven	1.2 cu. ft.	1.2 cu. ft.
Top left oven	1.0 cu. ft.	1.0 cu. ft.
Total capacity	4.5 cu. ft.	4.5 cu. ft.
<b>Internal Oven Dimensions</b>		
Top and bottom Right Ovens	17 <sup>1</sup> / <sub>8</sub> " (44cm) D x 12 <sup>1</sup> / <sub>2</sub> " (32cm) W x 9 <sup>3</sup> / <sub>4</sub> " (25cm) H	
Bottom left oven	15 <sup>1</sup> / <sub>2</sub> " (40cm) D x 12 <sup>1</sup> / <sub>2</sub> " (32cm) W x 9 <sup>3</sup> / <sub>4</sub> " (25cm) H	
Top left oven	17 <sup>1</sup> / <sub>8</sub> " (44cm) D x 12 <sup>1</sup> / <sub>2</sub> " (32cm) W x 7 <sup>5</sup> / <sub>8</sub> " (20cm) H	
Electrical requirements	240 volts, 60hz single phase 30 amp	
Fuel types	Natural gas or LPG with Electric ovens	
Gas connection	<sup>1</sup> / <sub>2</sub> "(1.5cm) Female N.P.T.	
Color options	Cream, Claret, Black, Dark Blue, British Racing Green, Pewter, White, Aubergine, Heather, Pistachio, Wedgewood, Chocolate, Jade	
Hood requirement	600CFM hood. Minimum width of 39" (100cm)	
Warranty	5 year on materials and workmanship. 1 year on mechanical components, parts and labor.	

Due to continuing product improvements, AGA Marvel reserves the right to amend specifications without notice. Please contact AGA Marvel for the most up to date information, as it applies to product being purchased, or download the latest Design Guide from [www.aga-ranges.com](http://www.aga-ranges.com).



## Companion

(ACMP Models)

### Planning Information

The following specifications provide overall dimensions, finished rough opening dimensions and gas/electrical requirements for the AGA Companion dual fuel model, both as a freestanding appliance and attached to a 2, 3 or 4 Oven cooker. Please follow these guidelines when planning your installation to avoid damage to your range and/or surrounding cabinetry. Refer to the installation guide included with your range for specific installation instructions.

Please be sure to consult a qualified electrician and ensure the installation conforms to all national and local electrical codes and gas regulations.

### Gas Requirements

The gas feed is located on the upper left-hand rear of the unit. The appliance is supplied with a ½" female NPT fitting.

The maximum gas inlet pressure to the appliance must not exceed 10" w.c. for natural gas and 14" w.c. for LPG.

The regulator is preset for either LPG or natural gas, therefore gas type must be specified at the time of order as this model is NOT field convertible. Maximum heat input is 35,500 BTU's per hour.

The appliance can be installed with an approved flexible connection. The supply piping should be no less than ¾" I.D. flexline.

**Important: A manual shut-off valve must be fitted before the metal gas flex line in an accessible location. Do not fit valve behind range.**

### Unit Placement

The side wall clearance above the cooktop must be greater than 3"(8cm).

Surfaces over the top of the range must not be closer than 28"(71cm) and must not exceed 13"(33cm) in depth.

The vent slots in the rear of the top plate must not be obstructed.

### Freestanding Model

The freestanding Companion is a slide in range designed with finished sides and sits at counter height.

### Attached Model

The Companion when attached to a cooker does not have finished sides and does not sit at counter height. It must be built onto the same plinth as the 2, 3 or 4 Oven cooker it is being attached to. The Companion ALWAYS attaches to the left-hand side of the cooker. In attached Companion installations, it is recommended that the attached cooker's gas feed be made through the floor, or ordered as a right hand feed. Please see page 18 for information about cooker gas feeds.

**Important: Do not position the socket above or behind the range.**

**Important: Electrical grounding is required on this appliance.**

**Warning!: This appliance must be completely isolated from the electrical supply prior to servicing.**

# Module vs. Companion vs. Hotcupboard

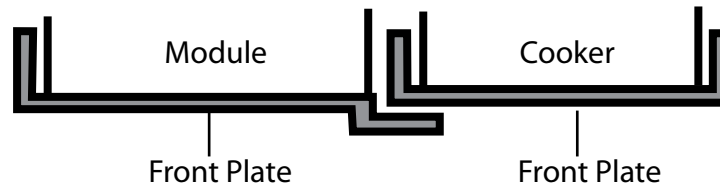


## The Module

The module attaches to the Cooker and must be ordered together with the Cooker.

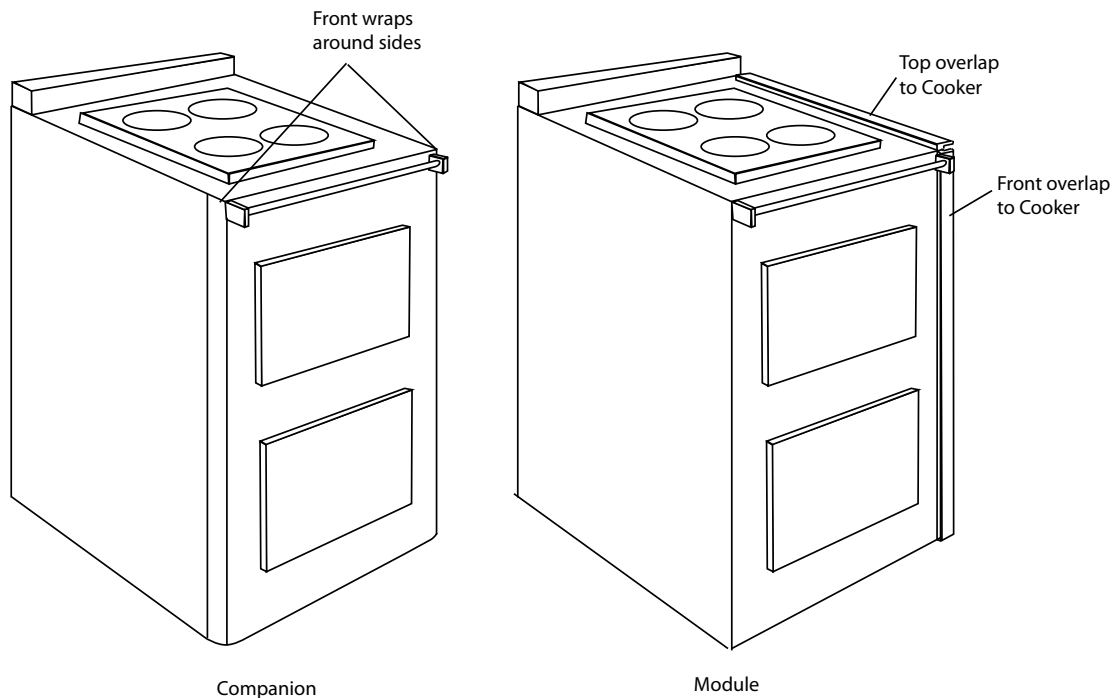
The Cooker Front Plate and the module front overlap. When ordering a Module and Cooker the fronts are factory matched.

Modules can be ordered with all Cooker options. The module cannot be used as a freestanding range.



## The Companion

The Companion is a freestanding range that does not physically attach to the Cooker. The companion may be put in proximity to the Cooker but will need division from the Cooker as the front and top will not marry.



Note: Drawing for illustration of front plate only and does not adequately portray all product details.

## Hot Cupboard

The term “Hot cupboard” is used to describe the left two ovens of a 4 oven Cooker.

The “Hot cupboard” is shipped (although packaged separately) as an integral part of a 4 oven Cooker and does not need to be ordered separately.

The “Hot cupboard” can not be used as a freestanding range.

Due to continuing product improvements, AGA Marvel reserves the right to amend specifications without notice. Please contact AGA Marvel for the most up to date information, as it applies to product being purchased, or download the latest Design Guide from [www.aga-ranges.com](http://www.aga-ranges.com).



## Specifications: Companion

### Freestanding Companion Only

Overall height	35 7/8" (91.12cm)
Overall width	23 1/2" (60cm)
Overall depth	23 3/4" (61cm)
Weight	310lbs. (141kg)

### 2 Oven with Module

Overall dimensions	33 1/2" (86cm) H x 63" (160cm) W x 26 3/4" (67.9cm) D without bar (29 3/4" (76cm) with towel bar)
Weight	1210lbs. (549kg)

### 3 Oven with Module

Overall dimensions	33 1/2" (86cm) H x 63" (160cm) W x 26 3/4" (67.9cm) D without bar (29 3/4" (76cm) with towel bar)
Weight	1394lbs. (634kg)

### 4 Oven with Module

Overall dimensions	33 1/2" (86cm) H x 82 19/32" (209.78cm) W x 26 3/4" (67.9cm) D without bar (29 3/4" (76cm) with towel bar)
Weight	1600lbs. (725kg)

### Burner Ratings

Right front	12,000 BTU
Right rear	6,150 BTU
Left front	6,150 BTU

### Oven Ratings

Top	Zoned heat with 7 pass, 2,100 watt broiler
Bottom	Convection

### Oven Dimensions

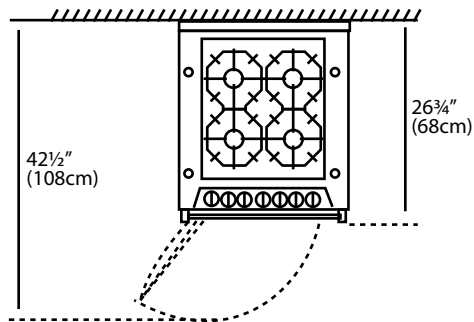
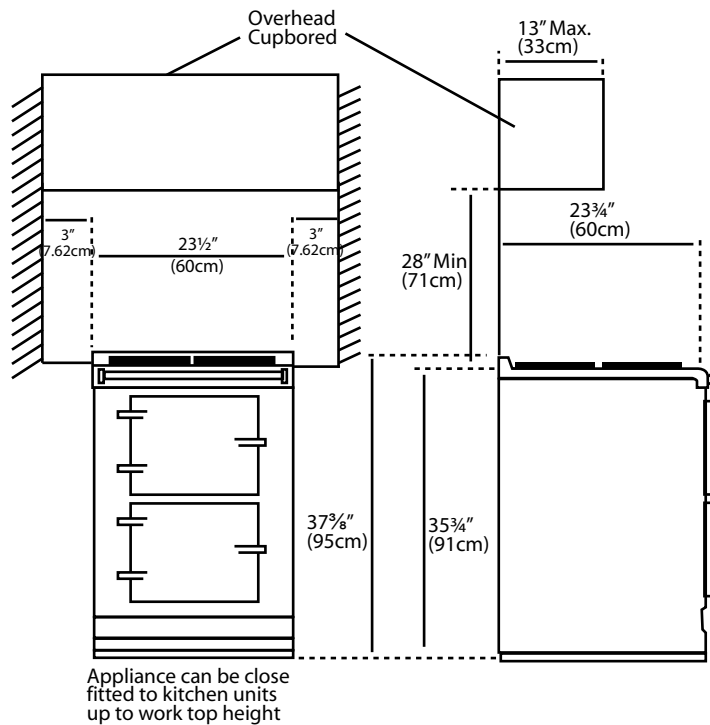
Top	8 1/2" (22cm) H x 13" (33cm) W x 19" (49cm) D
Bottom	10" (25cm) H x 13 3/4" (35cm) W x 17" (43cm) D

### Oven Capacity

Top	1.5 cu. ft.
Bottom	1.5 cu. ft.
Total capacity	3.0 cu. ft.
Electrical Requirements	240 volts, 30 amp dedicated circuit
Fuel type	Natural gas or LPG with electric ovens
Gas connection	1/2" female N.P.T.
Color options	Cream, Claret, Black, dark Blue, British Racing Green, Pewter, White, Aubergine Heather, Pistachio, Wedgewood, Chocolate, Jade
Hood requirement	300 CFM hood
Warranty	5 year on materials and workmanship. 1 year on mechanical components, parts and labor.

Due to continuing product improvements, AGA Marvel reserves the right to amend specifications without notice. Please contact AGA Marvel for the most up to date information, as it applies to product being purchased, or download the latest Design Guide from [www.aga-ranges.com](http://www.aga-ranges.com).

## Companion Dimensions & Requirements





## Legacy (Aleg Models)

### Planning Information

The following specifications provide overall dimensions, finished rough opening dimensions and gas/electrical requirements for the Legacy dual fuel and electric range models. Please follow these guidelines when planning your installation to avoid damage to your range and/or surrounding cabinetry. Refer to the installation guide included with your range for specific installation instructions.

Please be sure to consult a qualified electrician and ensure the installation conforms to all national and local electrical codes and gas regulations.

### Electrical Requirements

The electrical connection is located at the center rear of the unit.

This appliance requires 240 volt, 60Hz and connected to an individual, properly grounded branch circuit protected by a circuit breaker or time-delay fuse.

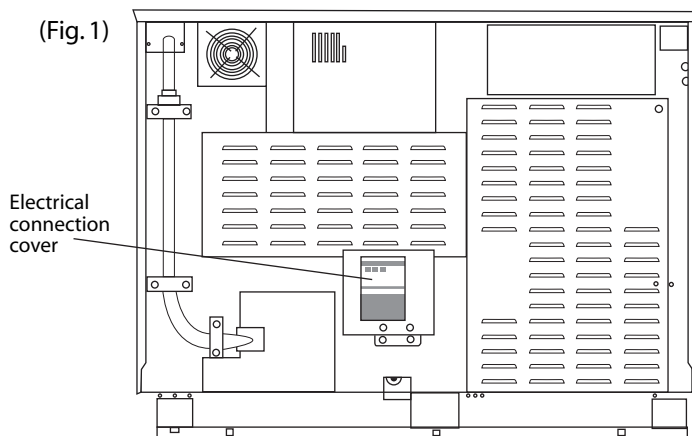
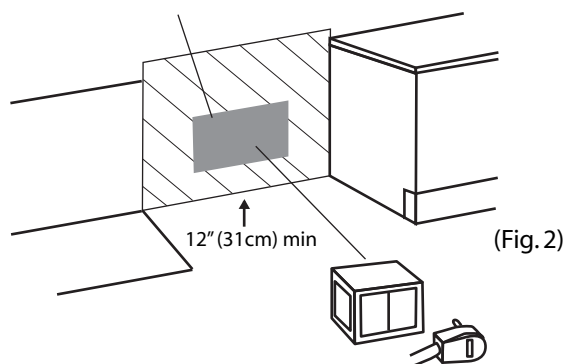
Amperage Draw	Max Draw		
Legacy 36" (dual fuel models)	30.8 Amps	7.4 kW max load	240 volt
Legacy 44" (dual fuel models)	30.8 Amps	7.4 kW max load	240 volt
Legacy 36" (electric models)	64.58 Amps	15.5 kW max load	240 volt
Legacy 44" (electric models)	69.58 Amps	16.7 kW max load	240 volt

It is supplied with a 4-prong plug to be used in a NEMA 14-50 receptacle. Orient the receptacle so the length is parallel to the floor. (See figure 1)

Recommended acceptable electrical outlet area. Orient the electrical receptacle so the length is parallel to the floor.

**Important: Electrical grounding is required on this appliance.**

**Warning!: This appliance must be completely isolated from electrical supply prior to servicing.**



Due to continuing product improvements, AGA Marvel reserves the right to amend specifications without notice. Please contact AGA Marvel for the most up to date information, as it applies to product being purchased, or download the latest Design Guide from [www.aga-ranges.com](http://www.aga-ranges.com).



## Gas Requirements

The installation of this range must conform with local codes, or in the absence of local codes, with National Fuel Gas Code, ANSI Z223.1-latest edition. In Canada the range must be installed in accordance with CGA Standard CAN/CGA-B-149 Installation Codes for Gas Burning Appliance and Equipment and/or local codes. In the Commonwealth of Massachusetts, this product must be installed by a licensed plumber or gas fitter.

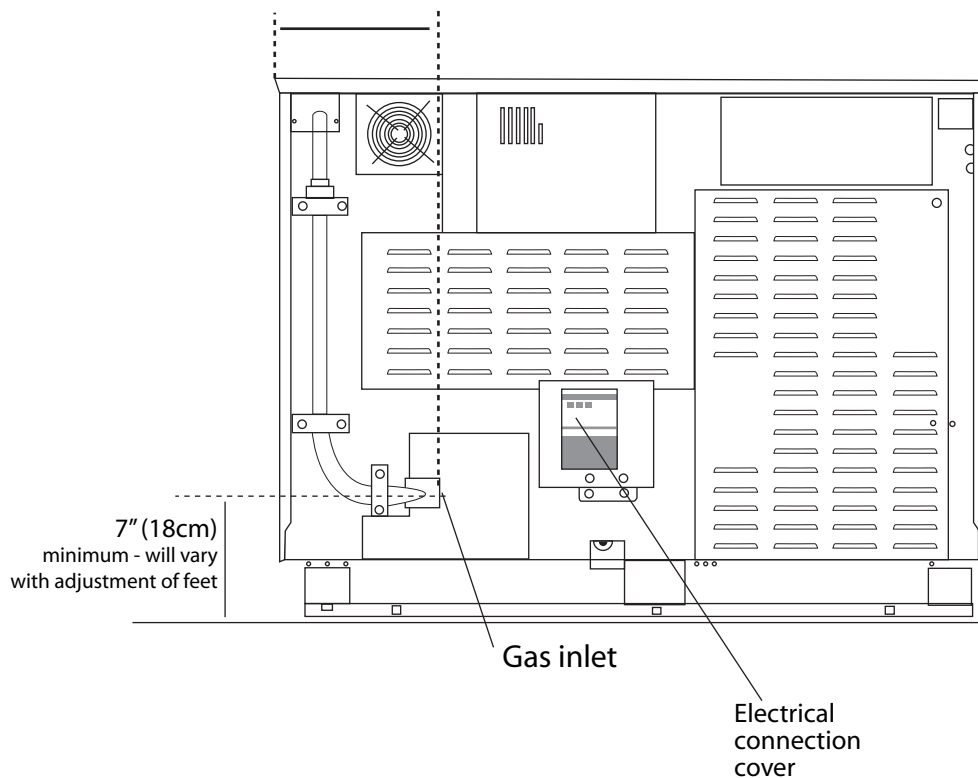
The gas feed is located on the left-hand rear of the unit. The appliance is supplied with a ½" female NPT fitting.

Gas Pressure                      10" w.c. LPG  
    4" w.c. NG

The range is supplied set for natural gas. An LPG conversion kit is included.

The gas supply should exit the wall in the shaded area as shown in Figure 2. The appliance can be installed with an approved flexible connection. The supply piping should be no less than ¾" I.D. flexline.

**Important: A "T" handle type manual shut-off valve must be fitted before the metal gas flexi line in an accessible location. Do not fit valve behind range.**





## Unit Placement

Provide adequate clearances between the range and adjacent combustible surfaces. These dimensions must be met for safe use of your range.

The cooktop surround should be level with, or above, any adjacent work surface. Above cooktop level a gap of 3" (8cm) should be left between each side of the range and any adjacent vertical wall. For noncombustible surfaces (such as unpainted metal or ceramic tiles) this can be reduced to 1" (2.5cm). A minimum space of 30" (76cm) is required between the top of the cooktop and a horizontal combustible surface. The maximum depth for cabinets installed above cooktops is 13" (33cm). A clearance of 5" (13cm) is required if the range is near a corner of the kitchen to allow the oven doors to open.

36" Model - We recommend a gap of 35 13/16" (91cm) (for Canada min 35 7/16" (90cm)) between units to allow moving of the range. If a flush fit is required (USA only), fir the range up to the unit at one side then fit the unit to the other side.

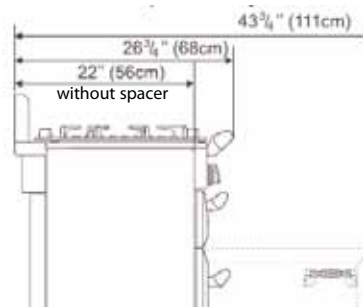
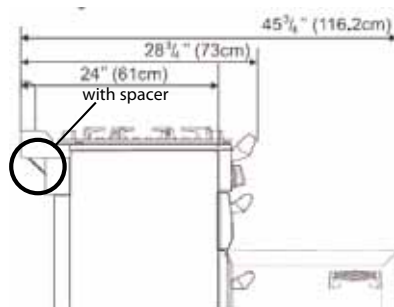
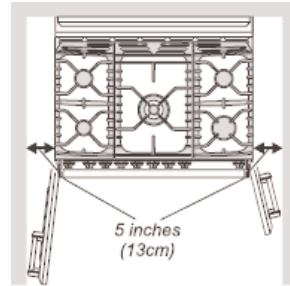
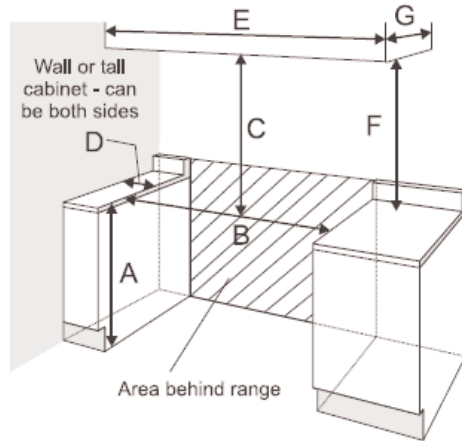
44" Model - We recommend a gap of 43 5/16" (110cm) (for Canada 44 5/16" (113cm)) between units to allow for moving the range. If a flush fit is required (USA only), fit the range up to the unit at one side then fit the unit to the other side.

### Legacy 36"

- A. Min 35 3/8" (91cm) - Max 36 7/16" (92cm)
- B. Min 35 3/16" (90cm) (for Canada - Min 36 7/16" (92cm))
- C. Min 30" (76cm)
- D. Min. 3" (8cm) (see below about door opening.)
- E. Min. 42 1/2" (108cm)
- F. Min 18" (46cm)
- G. Maximum 13" (33cm)

### Legacy 44"

- A. Min 35 3/8" (91cm) - Max 36 7/16" (92cm)
- B. Min 43 5/16" (110cm) (for Canada- Min 44 5/16" (113cm))
- C. Min 30" (76cm)
- D. Min 3" (8cm) (See below about door opening.)
- E. Min 50" (127cm)
- F. Min 18" (46cm)
- G. Maximum 13" (33cm)



Due to continuing product improvements, AGA Marvel reserves the right to amend specifications without notice. Please contact AGA Marvel for the most up to date information, as it applies to product being purchased, or download the latest Design Guide from [www.aga-ranges.com](http://www.aga-ranges.com).





## Specifications

	<b>Legacy 36"</b>	<b>Legacy 44"</b>
Overall width	35½" (90cm)	43¼" (110cm)
Overall depth	25⅝" (66cm)	25⅝" (66cm)
Overall height	35⅜" (91cm)	35⅜" (91cm)
Weight	300lbs (136kg)	341lbs (155kg)
<b>Burner Ratings</b>		
Left & right rear	9,200 BTU NG, 8,000 LPG	15,000 BTU NG, 15,000 LPG
Left front	5,000 BTU NG, 4,200 LPG	5,000 BTU NG, 4,200 LPG
Center	15,000 BTU NG, 15,000 LPG	N/A
Left & right center	N/A	9,200 BTU NG, 8,000 LPG
Right front	12,000 BTU NG, 12,000 LPG	12,000 BTU NG, 12,000 LPG
<b>Oven Capacity</b>		
Top left oven	0.5 cu. ft.	0.5 cu. ft.
Bottom left oven	2.2 cu. ft.	2.2 cu. ft.
Right oven	1.8 cu. ft.	2.4 cu. ft.
Total Capacity	4.5 cu. ft.	5.1 cu. ft.
<b>Internal Oven Dimensions</b>		
Top left oven	15¾"(40cm)D x 13"(33cm)W x 4½"(11cm)H	Same
Bottom	15¼"(39cm)D x 14¾"(38cm)W x 17"(43cm)H	Same
Right oven	15¼"(39cm)D x 9½"(24cm)W x 22¼"(57cm)H	15¼"(39cm)D x 16"(41cm)W x 17¼"(44cm)H
<b>Dual Fuel Model Requirements</b>		
Electrical Requirements	240 volts	240 volts
Fuel Types	Natural Gas or LPG with electric ovens	Same
Gas Connection	½" female N.P.T.	Same
<b>Electric Model Requirements</b>		
Electrical Requirements	240 volts	Same
Colors	Cream, Brick, Black, Cobalt Blue, White, Stainless Steel, and All White	
Hood requirement	Maximum 600 CFM hood	
Warranty	5 year on materials and workmanship. 1 year on mechanical components, parts and labor.	
Options	Cathedral Window Door - window on MultiFunction™ oven door. (Specify when ordering) Classic Handle - replaces spiral handle with straight bar-type handle. (Specify when ordering) Concealer Panel - closes gap between the back of the appliance and rear wall for applications at the end of a cabinet run. (A094590X1) High Altitude Kit - for applications 5,000 feet and above. (A035182-NG, A035183-LPG)	

Due to continuing product improvements, AGA Marvel reserves the right to amend specifications without notice. Please contact AGA Marvel for the most up to date information, as it applies to product being purchased, or download the latest Design Guide from [www.aga-ranges.com](http://www.aga-ranges.com).



## Undercounter Refrigeration

(AAR-24, ARD-24, ACIM-15, AWC-24 Models)

### Planning Information

The following specifications provide overall dimensions, finished rough opening dimensions and gas/electrical requirements for the undercounter refrigerator, refrigerated drawers, gourmet ice machine and wine cellar models. Please follow these guidelines when planning your installation to avoid damage to your product and/or surrounding cabinetry. Refer to the installation guide included with your appliance for specific installation instructions.

Please be sure to consult a qualified electrician and ensure the installation conforms to all national and electrical codes.

### Electrical Requirements

Locate a three-prong grounded receptacle in one of three locations:

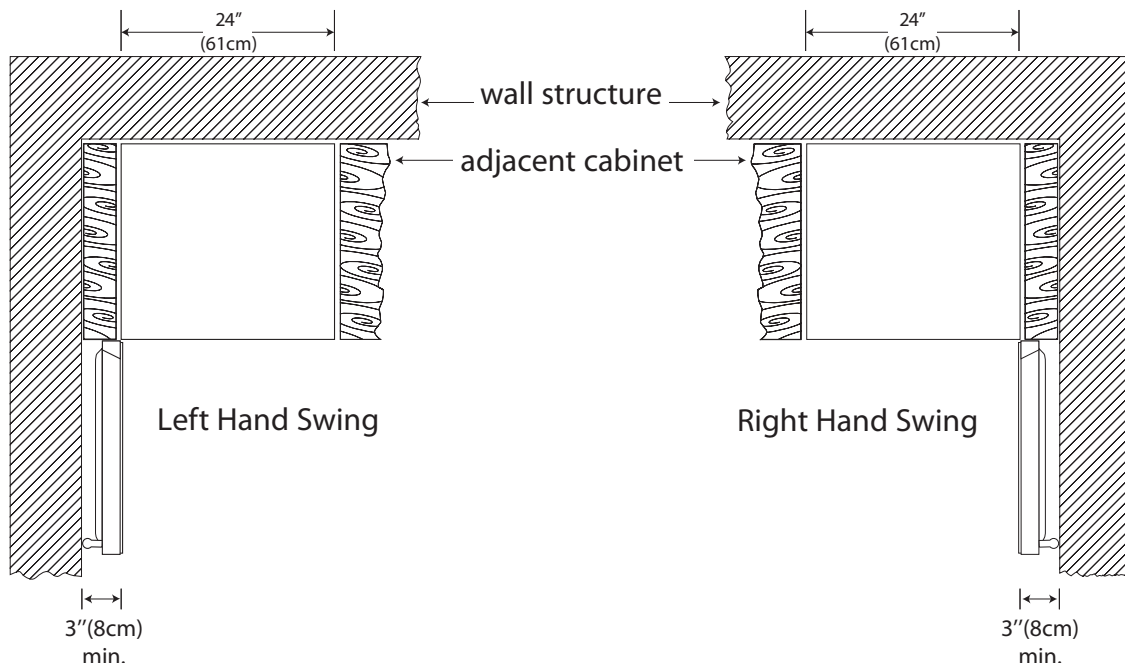
1. On the wall in the adjacent cabinet opening.
2. Flush on the back of the refrigerator opening (add 1" (2.5cm) to the overall depth of the unit to accommodate plug)
3. Recessed 1" (2.5cm) into the back of the wall of the refrigerator opening.

These appliances are equipped with a power supply cord with ground. It must be plugged into a mating grounding type receptacle in accordance with the National Electrical Code and applicable local codes and ordinances.

### Unit Placement

Choose a location where the unit will be out of direct sunlight and away from heat sources. Best performance will be maintained when installed within the following parameters: A gap of 24" (61cm) is recommended between units for moving the appliance. A clearance of 3" (8cm) is required to the side of the unit that hinges are located on to allow for the door to open 90°.

Adjacent cabinets and countertop can be installed on top, back and sides of the unit as long as the grille and door access remain unobstructed. Ventilation is required for the bottom front section of the unit where the grille is located. Keep this area open and clear of any obstructions. Make certain that the leveling legs supplied with appliance are installed according to the instructions. Leveling adjustments can be made by raising or lowering the glides on the bottom of the unit.



Due to continuing product improvements, AGA Marvel reserves the right to amend specifications without notice. Please contact AGA Marvel for the most up to date information, as it applies to product being purchased, or download the latest Design Guide from [www.aga-ranges.com](http://www.aga-ranges.com).



**Refrigerated Drawer  
(ARD-24)**

**Wine Cellar  
(AWC-24)**

**Cabinet Dimensions**

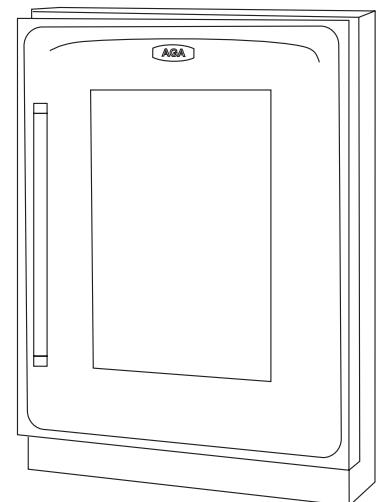
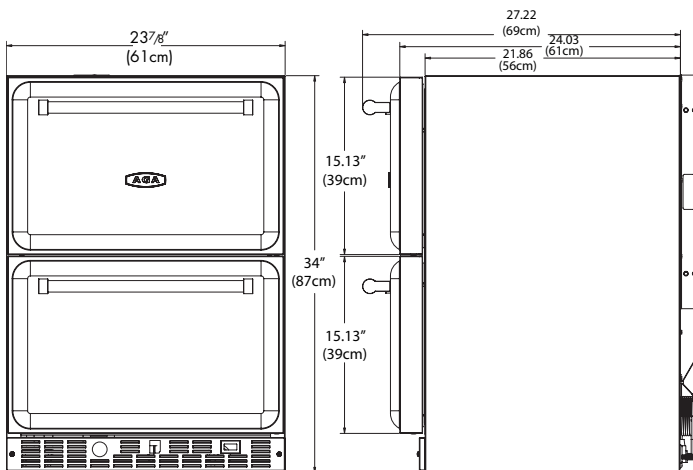
Overall height	34" (87cm)	34" (87cm)
Overall width	23 <sup>7</sup> / <sub>8</sub> " (61cm)	23 <sup>7</sup> / <sub>8</sub> " (61cm)
Overall depth (including doors)	25 <sup>1</sup> / <sub>4</sub> " (65cm)	25 <sup>1</sup> / <sub>4</sub> " (65cm)
Overall depth (without doors)	22" (56cm)	22" (56cm)
Toe kick	3" (8cm)	3" (8cm)

**Rough Opening Dimensions**

Height	34 <sup>1</sup> / <sub>2</sub> " (88cm)	34 <sup>1</sup> / <sub>2</sub> " (88cm)
Width	24" (61cm)	24" (61cm)
Minimum Depth	24" (61cm)	24" (61cm)
Height with leveling legs	34 <sup>1</sup> / <sub>4</sub> " (87cm) - 35" (89cm)	34 <sup>1</sup> / <sub>4</sub> " (87cm) - 35" (89cm)
Min door clearance required	26" (66cm)	25 <sup>1</sup> / <sub>2</sub> " (65cm)
Weight	180lbs (82kg)	130lbs (59kg)
Capacity	5.7 cu. ft.	6.1 cu. ft.
Electrical requirements	115 volt, 15 amp circuit	115 volt, 60 Hz, 15 amp circuit
Max run amps	3.3	3.3
Max start amps	12.0	12.0

**Ideal Ambient Temperature Range**

Built-in	55°F (13°C) - 80°F (27°C)	65°F (18°C) - 80°F (27°C)
Free-standing	55°F (13°C) - 90°F (32°C)	65°F (18°C) - 90°F (32°C)



Due to continuing product improvements, AGA Marvel reserves the right to amend specifications without notice. Please contact AGA Marvel for the most up to date information, as it applies to product being purchased, or download the latest Design Guide from [www.aga-ranges.com](http://www.aga-ranges.com).



**Refrigerator  
(AWC-24)**

**Gourmet Ice Machine  
(ACIM-15)**

**Cabinet Dimensions**

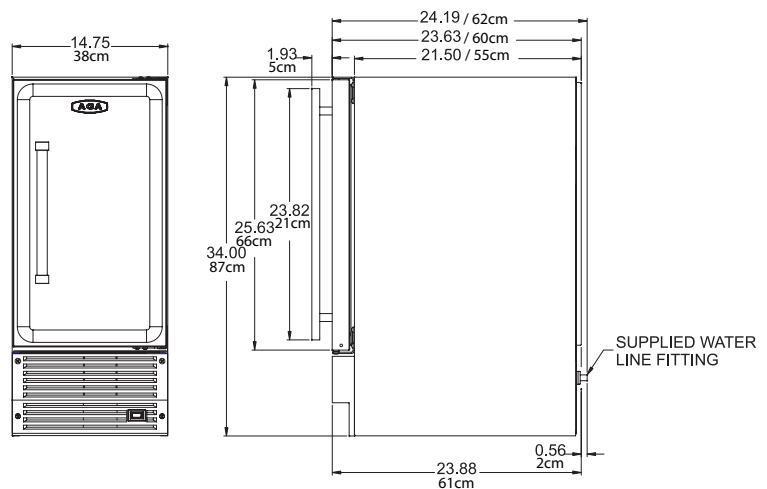
Overall height	34" (87cm)	34¼" (88cm)
Overall width	23⅞" (61cm)	14⅞" (38cm)
Overall depth (including doors)	25¼" (65cm)	21¾" (55cm)
Overall depth (without doors)	22" (56cm)	24⅝" (63cm)
Toe kick	3" (8cm)	3½" (9cm)

**Rough Opening Dimensions**

Height	34½" (88cm)	34½" (88cm)
Width	24" (61cm)	15" (38cm)
Minimum depth	24" (61cm)	24" (61cm)
Height with leveling legs	34¼" (87cm) - 35" (89cm)	34¼" (87cm) - 35" (89cm)
Min door clearance required	25½" (65cm)	16⅝" (42cm)
Weight	120lbs (54kg)	100lbs (45kg)
Capacity	6.1 cu. ft.	35lbs (16kg) of ice
Electrical requirements	115 volt, 60 Hz, 15 amp circuit	115 volt, 60 Hz, 15 amp circuit
Max run amps	3.3	3.3
Max start amps	12.0	12.0

**Ideal Ambient Temperature**

Built-in	65°F (18°C) - 80°F (27°C)	55°F (13°C) - 80°F (27°C)
Free-standing	65°F (18°C) - 90°F (32°C)	55°F (13°C) - 90°F (32°C)



Due to continuing product improvements, AGA Marvel reserves the right to amend specifications without notice. Please contact AGA Marvel for the most up to date information, as it applies to product being purchased, or download the latest Design Guide from [www.aga-ranges.com](http://www.aga-ranges.com).

## Drain Plumbing for Ice Machine

This appliance uses a gravity drain, (Figure 1) that requires 5/8" I.D. tubing from the back of the unit to a plumbed connection to a sanitary sewer. Remove the access panel to plumb in drain connection. Gravity drain location for built-in units can be within the area shown in Figure 3. An optional drain pump, (Figure 2) can be purchased for your ice machine if a gravity drain is not accessible.

**Warning!:** Failure to use adequate drainage system will result in surrounding water damage and/or poor ice production.

### Water Supply

Figure 4 - This machine must be connected to a potable, active cold water supply line delivering water pressure at a minimum of 20 psi and a maximum of 120 psi.

Water connection is made through a right angle garden hose fitting. See garden hose fitting for detailed instruction sheet.

A water filter is recommended for this unit. A quality filter can remove particles as well as remove taste and odors from water. Do not use any thread sealers.

Softened water is not recommended. This will produce mushy, cloudy ice cubes that will stick together.

De-ionized water is not recommended. This water will not form solid ice cubes.

A water specialist can recommend proper water treatment.

After installation of water line, turn on water and check for any leaks. Additional tightening may be needed.

Allow for extra water line built-in installations for easy removal of unit and to help prevent the water line from kinking.

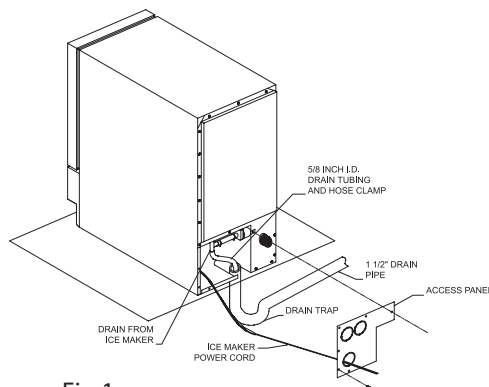


Fig 1

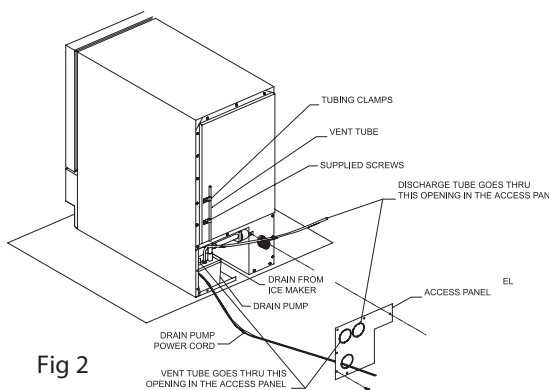


Fig 2

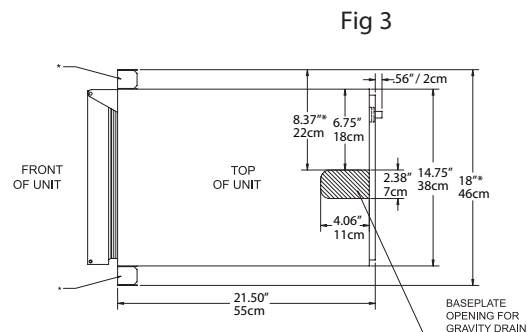


Fig 3

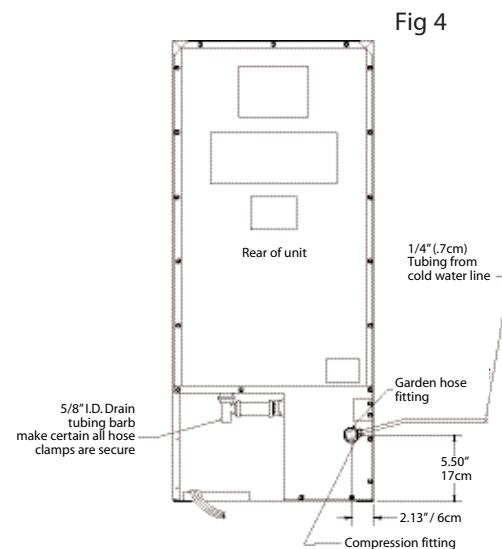


Fig 4

Due to continuing product improvements, AGA Marvel reserves the right to amend specifications without notice. Please contact AGA Marvel for the most up to date information, as it applies to product being purchased, or download the latest Design Guide from [www.aga-ranges.com](http://www.aga-ranges.com).



---

### **Full-size Refrigerator**

Overall height	69½" (177cm)
Overall width	36" (92cm)
Overall depth	26½" (68cm)
Overall depth with handle	30" (76cm)

### **Rough Opening Dimensions**

Height	70" (178cm)
Width	36½" (93cm)
Maximum depth	24½" (62cm)

### **Refrigerator Capacity**

Fresh food capacity	12.9 cu. ft.
Freezer capacity	5.6 cu. ft.
Total capacity	18.5 cu. ft.
Electrical requirements	115 volts, 60 Hz, 15 amp circuit
Ideal ambient temperature	55°F (13°C) - 110°F (43°C)



---

### **Dishwasher**

Overall height	33 <sup>7</sup> / <sub>8</sub> " (86cm)
Overall width	23 <sup>7</sup> / <sub>8</sub> " (61cm)
Overall depth (including handle)	24 <sup>7</sup> / <sub>8</sub> " (63cm)
Overall depth (without door)	22 <sup>7</sup> / <sub>16</sub> " (57cm)

### **Rough Opening Dimensions**

Height	34" (87cm)
Width	24" (61cm)
Depth	24" (61cm)
Depth (open door)	45" (114cm)
Electrical Requirements	120 volts, 60 Hz, 12 amp circuit

# Site Requirements Checklist



1260 East Van Deirse Street Greenville, MI 48838

Dealer Name: \_\_\_\_\_ Customer Name: \_\_\_\_\_  
 Address: \_\_\_\_\_ Address: \_\_\_\_\_  
 Phone: \_\_\_\_\_ Phone: \_\_\_\_\_

**4 Oven:**  Hotplate  Gas Hob

Fuel Options -  Natural Gas  Liquid Propane  Electric

Venting -  Standard Vent  Direct Vent  Power Vent

\*Piping Listed Below

Classic -  Yes  No

Color Match Lids -  Yes  No

**Module\*:**

Yes  No

Natural Gas  Liquid Propane

\*Attaches to Cooker

**3 Oven:**

Fuel Options -  Natural Gas  Liquid Propane

Venting -  Standard Vent

\* Piping listed below

Color Match Lids -  Yes  No

**Module\*:**

Yes  No

Natural Gas  Liquid Propane

\*Attaches to Cooker

**2 Oven:**

Fuel Options -  Natural Gas  Liquid Propane  Electric

Venting -  Standard Vent  Direct Vent  Power Vent

\* Piping listed below

Classic -  Yes  No

Color Match Lids -  Yes  No

**Module\*:**

Yes  No

Natural Gas  Liquid Propane

\*Attaches to Cooker

**Companion:**

Yes  No

Natural Gas  Liquid Propane

**Colors (Circle Selection):**

- Standard Colors - Black British Racing Green Pewter  
 Cream Dark Blue Pearl Ashes
- Signature Colors - Aubergine White Heather  
 Duck Egg Blue Pistachio

**For Standard Vent Units - Black Enameled Steel Pipe:**

P1020 - 4" x 24" \_\_\_\_\_ piece(s)    P1021 - 4" X 36" \_\_\_\_\_ piece(s)    P1149 - 4" x 48" \_\_\_\_\_ piece(s)

P1141 - 45° bend no door \_\_\_\_\_ piece(s)    P1050 - 45° bend w/door \_\_\_\_\_ piece(s)    A4136 - Sealing Ring \_\_\_\_\_ piec(s)

P1095 - 90° Elbow w/door \_\_\_\_\_ piece(s)

**Please indicate who is supplying:**

- Fitter Stock  
 Distributor Stock  
 Order with Cooker

**Fitter Confirmation (Initial where indicated):**

<input type="checkbox"/> Floor Structure	<input type="checkbox"/> Venting	<input type="checkbox"/> Gas Installation
<input type="checkbox"/> Electrical Installation	<input type="checkbox"/> Custom Hearth	<input type="checkbox"/> Set Back and Combustibles
<input type="checkbox"/> Heating/Cooling Load	<input type="checkbox"/> Vent Hood	<input type="checkbox"/> Priority of Installation
<input type="checkbox"/> Clearance around the AGA		

Fitter Name: \_\_\_\_\_  
 Phone: \_\_\_\_\_

Notes: \_\_\_\_\_  
 \_\_\_\_\_  
 \_\_\_\_\_

Site Inspection Done By \_\_\_\_\_ Sales Rep (dealer): \_\_\_\_\_

Copy to: Fitter, Dealer, Distributor. A copy of this form must also accompany Cooker order to AGA Marvel.







## Design Considerations

- 10. **Gas Supply Line:** Building codes will apply. The gas feed connection can exit the AGA either left, right or, in some cases, through the floor into the basement. Plan the lines early so as not to lose options. An additional gas connection will be needed if a Companion is being installed with the AGA. Call your fitter or AGA dealer for details.
- 11. **Work Island:** The radiant heat from the AGA travels in the line of sight and diminishes rapidly with distance. Consider the location of an island for greatest comfort, 48” is recommended.
- 12. **Electrical Requirements:** No electricity is required for Standard or Direct Vent cookers. For Power Vent, see the electrical requirements on Page 9 for details. If an AGA Companion is to be installed with your AGA, it will need 240-volt, 30-amp service. Contact your fitter or AGA dealer for details.

## Site Descriptions:

---

---

---

---

---

---

---

---

---

---

---

---

---

---

---

---

---

---

---

---

---

---

---

---

## Important Contacts

AGA Dealer \_\_\_\_\_

AGA Installer \_\_\_\_\_

Kitchen Designer \_\_\_\_\_

Builder/ Contractor \_\_\_\_\_

Gas Supply Company \_\_\_\_\_

# AGA MARVEL

Our Family of Premium Brands

---



---

## United States

AGA MARVEL  
1260 E Van Deirse Street  
Greenville, MI 48838  
800-223-3900

## Canada

AGA MARVEL - SOFA Galleries  
6900 Airport Road, Suite 205  
Mississauga ON, L4V 1E8  
855-213-2785

---

## AGA MARVEL

[www.AGAmarvel.com](http://www.AGAmarvel.com)

© AGA MARVEL 2012, all rights reserved.  
AG-9991 - 110912

The information presented herein is based on the best data available at time of printing and is believed to be correct. However, nothing stated herein is to be taken as warranty, expressed or implied, regarding the accuracy of the information or the use of our product or products. Products might not appear exactly as shown in images. Specifications and product esthetics are subject to change without notice.