

**ICSE Board**  
**Class IX Physics**  
**Paper – 1**

**Time: 2 hrs**

**Total Marks: 80**

---

**General Instructions:**

1. Answers to this paper must be written on the paper provided separately.
  2. You will **not** be allowed to write during the first **15** minutes.  
*This time is to be spent in reading the question paper.*
  3. The time given at the head of the paper is the time allotted for writing the answers.
  4. Attempt **all** questions from **Section I** and **any four** questions from **Section II**.
  5. The intended marks of questions or parts of questions are given in brackets [ ].
- 

**SECTION I (40 Marks)**

**Attempt all Questions from this Section**

**Question 1**

- (a) Express one day in milliseconds. [2]
- (b) Why are the passengers' cabins in an aeroplane pressurized? [2]
- (c) What does a straight line graph signify? [2]
- (d) Following table gives the distance travelled by a particle at different times.

Time (s)	0	0.25	0.5	0.75	1	1.25	1.5
Distance (cm)	0	2	5	9	16	25	36

- Draw a distance-time graph representing the motion of the particle. [2]
- (e) What will be the magnitude and direction of the reaction force acting on a coin of 10 g lying on the surface of the floor? Take  $g = 9.8 \text{ m/s}^2$  [2]

**Question 2**

- (a) Distinguish between fundamental units and derived units. [2]
- (b) The earth attracts an apple. Does the apple also attract the earth? If it does, why does the earth not move towards the apple? [2]
- (c) An empty truck and a loaded truck are moving with the same velocity. On applying brakes, which truck will stop first and why? [2]
- (d) In cold countries, ponds freeze only at the surface. Why? [2]
- (e) Why do we wear woolen clothes in winter? [2]

### Question 3

- (a) Draw a graph of volume and temperature when  $5 \text{ cm}^3$  of ice at  $-10^\circ\text{C}$  is heated to form water at  $10^\circ\text{C}$ . [2]
- (b) A brass disc is fitted strongly in a hole in a steel plate. What will you do (heat or cool) with the system to loosen the brass disc from the hole? ( $\alpha_{\text{steel}} < \alpha_{\text{brass}}$ ) [2]
- (c) Which mirror forms the image of a wider region? Also, give relevant figure. [2]
- (d) You have learnt that plane and convex mirrors produce virtual images of the objects. Can we get real images under some circumstances? How? [2]
- (e) Does the size of the mirror affect the nature of the image? [2]

### Question 4

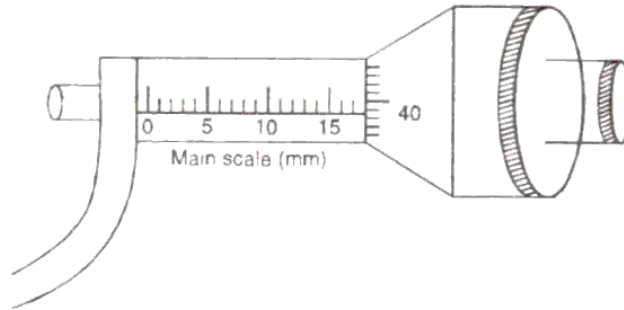
- (a) Which properties are common in all types of mechanical waves? [2]
- (b) Two point objects, P and Q are situated in front of a plane mirror at distances of 15 cm and 30 cm respectively on the same straight line. Calculate the distance between the object P and the image of Q. [2]
- (c) Select the waves of the frequencies which will not be audible to human beings: 15 Hz, 250 Hz, 100 Hz, 30000 Hz. [2]
- (d) How will you obtain (i) small resistance and (ii) large resistance from a few given resistances? [2]
- (e) How will you test whether a given rod is made of iron or copper? [2]

**SECTION II (40 Marks)**

**Attempt *any four* Questions from this Section**

**Question 5**

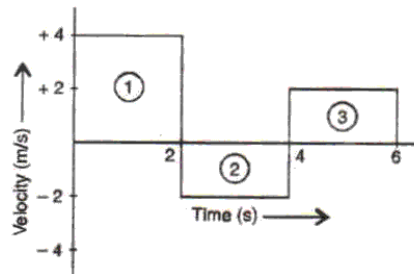
- (a) Given diagram shows a screw gauge. In one measurement, the final position of the scale is as shown in the diagram. The circular scale has 50 divisions. [3]



- i. What is the least count of the screw gauge?
  - ii. If 40th division of the circular scale coincides with the main scale line, what is the final reading?
  - iii. What do you mean by back-lash error of a screw gauge?
- (b) In a physical balance, [3]
- i. State the principle on which it works.
  - ii. What is measured by physical balance?
  - iii. What is the role of a plumb line?
  - iv. What is the role of base screws?
  - v. State two requirements for a good balance.
- (c) A weather forecasting plastic balloon of volume  $15 \text{ m}^3$  contains hydrogen of density  $0.09 \text{ kg/m}^3$ . The volume of equipment carried by the balloon is negligible compared to its own volume. The mass of the empty balloon alone is  $7.15 \text{ kg}$ . The balloon is floating in the air of density  $1.3 \text{ kg/m}^3$ . Calculate: [4]
- i. Mass of hydrogen in the balloon.
  - ii. Mass of hydrogen and balloon.
  - iii. If mass of equipment is  $x \text{ kg}$ , write down the total mass of hydrogen, the balloon and the equipment.
  - iv. Mass of air displaced by balloon.
  - v. Using law of floatation, calculate the mass of equipment.

### Question 6

- (a) An electron moving with the speed of  $5 \times 10^4$  m/s enters into an electric field and attains a uniform acceleration of  $10^{15}$  m/s<sup>2</sup> in the direction of motion. In how much time, will it attain a speed twice of its initial speed? In this time, how much distance will it cover? [3]
- (b) [4]
- Explain with the help of an example whether the velocity or the acceleration of a body give the direction of motion.
  - In the given figure, velocity-time graph of a body moving in a straight line is shown. Find the displacement and the distance travelled by the body in 6 s.



- (c) A body is projected vertically upwards with a velocity of 98 m/s. Find (i) the maximum height attained by the body and (ii) time taken by body to reach the highest point. Take  $g = 9.8$  m/s<sup>2</sup> [3]

### Question 7

- (a) [4]
- State Newton's third law of motion.
  - John pushes a wall with a force of 20 N towards the east, what force will be exerted by the wall on John?
  - In the following figure, a block of weight 10 N is hanging from a rigid support by a thread. Find:
    - The force exerted by block on the thread.
    - The force exerted by the thread on the block.



- (b) Mention three disadvantages of construction of large dams for generating hydroelectric power. [3]
- (c) A 3 kg stone is weighed first with a physical balance and then by a spring balance at the pole and at the equator. Where will the weight be maximum? [3]

### Question 8

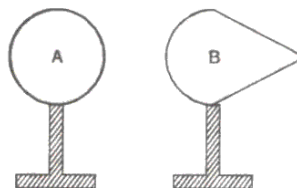
- (a) Explain the effect of ozone depletion. [3]
- (b) [4]
- What is the use of thermos flask?
  - Draw a labeled diagram of thermos flask.
  - What contribution does the vacuum between the two walls give to the functioning of a thermos flask?
  - What is the function of the two shining walls of the glass vessel in the thermos flask?
- (c) A test tube made of ordinary glass cracks on plunging into boiling water whereas a red hot test tube made of fused silica can be safely plunged into normal water, why? [3]

### Question 9

- (a) [4]
- Select the luminous objects from the following:  
Candle flame, stars, moon, red hot wire of heater, polished surface, and firefly.
  - In a room, the light is not reaching directly, even then it is illuminated. Why?
  - What will be the colour of the sky for space travellers?
- (b) In what way, a point source should be placed in front of a concave mirror to get the parallel beam and the divergent beam. [3]
- (c) Compare the frequencies of two waves X and Y while velocity and wavelength of X are  $5 \times 10^3$  m/s and 25 m respectively and for Y,  $4 \times 10^3$  m/s and 20 m respectively. [3]

### Question 10

- (a) A and B are two negatively charged and insulated conductors as shown in the figure. State, with reason, which conductor will tend to lose charge. [3]



- (b) Draw a labelled diagram of Leclanche cell. Why is it not suitable for continuous use? [3]
- (c) [4]
- What is the general law of attraction and repulsion between magnetic poles?
  - What defines the direction of the magnetic field?
  - The middle region of a bar magnet is:
    - A north pole
    - A north seeking pole
    - Unmagnetized
    - Magnetized
  - Name two magnetic substances. 5