



**Complementary system items**

	Wall-mounting watertight installation	
<b>DISTRIBUTION / BRANCHING</b>	• Accessories for conduits and cables .....	EUROBOX
	• Surface-mounting junction boxes .....	EUROBOX
	• Wall-mounting modular enclosures .....	EUROBOX
	• Wall-mounting watertight distribution boards .....	EUROBOX
<b>TERMINAL SYSTEMS</b>	• Modular components and enclosures for the SYSTEM Range .....	EURODOMO
	• Distribution boards Q-DIN .....	EUROBOX
	• Interlocked socket-outlets .....	EUROBOX
	• Push-buttons, selectors and indicators .....	EUROBOX
<b>SAFETY SYSTEMS</b>	• Safety/emergency modular enclosures .....	EUROBOX

Characteristics and advantages

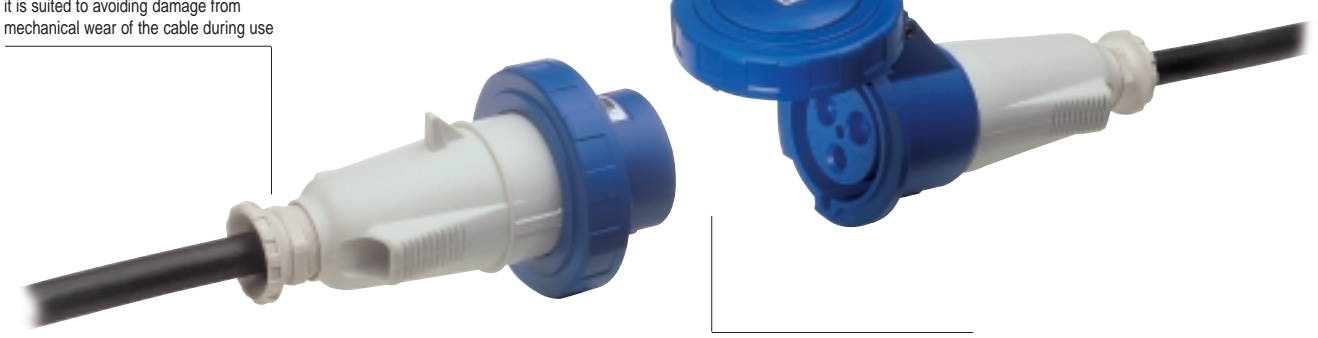
**16A - 32A**

**Cable gland**

Can be tightened by hand or with a wrench, thanks to its special shape it is suited to avoiding damage from mechanical wear of the cable during use

**Full safety**

Thanks to the one-piece construction of the socket/plug casing and there being no screws close to the live parts



**63A - 125A**

**Highly ergonomic**

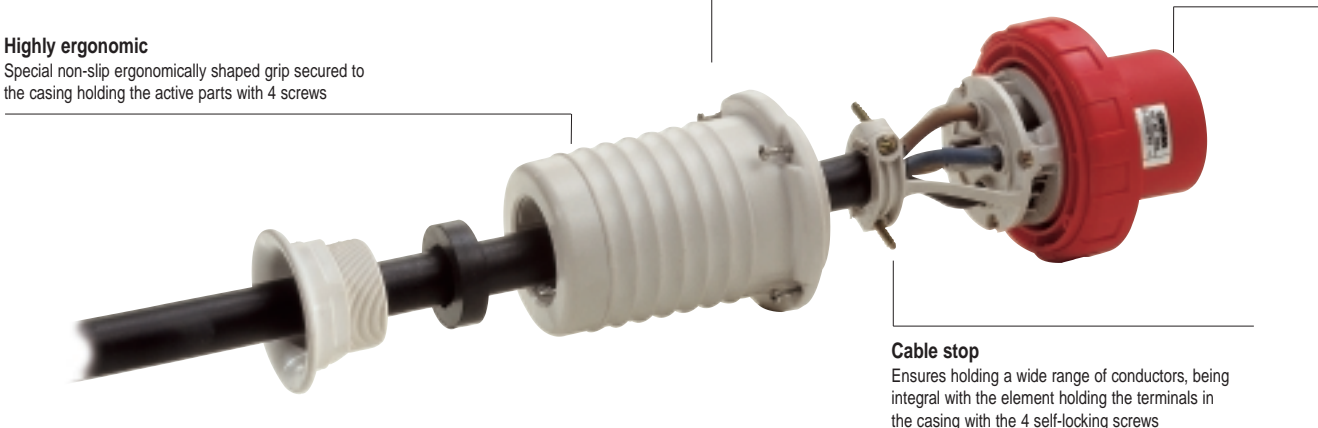
Special non-slip ergonomically shaped grip secured to the casing holding the active parts with 4 screws

**High mechanical strength**

Thanks to the high-performance thermo-mechanical polymers

**Pilot contact**

For electric interlocking



**Cable stop**

Ensures holding a wide range of conductors, being integral with the element holding the terminals in the casing with the 4 self-locking screws

**APPLICATION SOLUTIONS**



Construction sites and outdoor installations



Industry








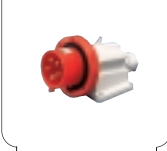


Commerce and Services


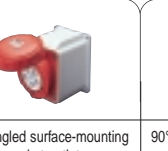

# IEC 309 RANGE PLUGS-SOCKET TO IEC 309 STANDARDS

## Selection guide

### Low-voltage industrial sockets and plugs 16A and 32A to IEC 309 standards

											
											
Nominal current In (A)	Nominal voltage Un (V)	No. poles	Reference h	Straight plugs IP 44	Straight plugs IP 67	90° angled plugs IP 44	90° angled plugs IP 67	Straight flush-mounting appliance inlets IP 44	Straight flush-mounting appliance inlets IP 67	90° angled surface-mounting appliance inlets IP 44	90° angled surface-mounting appliance inlets IP 67
16	110 ◆ / 100 - ◆ / 130	2P + ≍	4	GW 60 001	GW 60 023	GW 60 082	GW 60 105	GW 60 201	GW 60 223	GW 60 401	GW 60 423
		3P + ≍	4	GW 60 002	GW 60 024	GW 60 083	GW 60 106	GW 60 202	GW 60 224	GW 60 402	GW 60 424
		3P + N + ≍	4	GW 60 003	GW 60 025	GW 60 084	GW 60 107	GW 60 203	GW 60 225	GW 60 403	GW 60 425
	220 ◆ / 200 - ◆ / 250	2P + ≍	6	GW 60 004	GW 60 026	GW 60 085	GW 60 108	GW 60 204	GW 60 226	GW 60 404	GW 60 426
		3P + ≍	9	GW 60 005	GW 60 027	GW 60 086	GW 60 109	GW 60 205	GW 60 227	GW 60 405	GW 60 427
		3P + N + ≍	9	GW 60 006	GW 60 028	GW 60 087	GW 60 110	GW 60 206	GW 60 228	GW 60 406	GW 60 428
	380 ◆ / 380 - ◆ / 415	2P + ≍	9	GW 60 007	GW 60 029	GW 60 088	GW 60 111	GW 60 207	GW 60 229	GW 60 407	GW 60 429
		3P + ≍	6	GW 60 008	GW 60 030	GW 60 089	GW 60 112	GW 60 208	GW 60 230	GW 60 408	GW 60 430
		3P + N + ≍	6	GW 60 009	GW 60 031	GW 60 090	GW 60 113	GW 60 209	GW 60 231	GW 60 409	GW 60 431
	500 ◆ / 480 - ◆ / 500	3P + ≍	7	GW 60 010	GW 60 032	GW 60 091	GW 60 114	GW 60 210	GW 60 232	GW 60 410	GW 60 432
		3P + N + ≍	7	GW 60 011	GW 60 033	GW 60 092	GW 60 115	GW 60 211	GW 60 233	GW 60 411	GW 60 433
32	110 ◆ / 100 - ◆ / 130	2P + ≍	4	GW 60 012	GW 60 034	GW 60 093	GW 60 116	GW 60 212	GW 60 234	GW 60 412	GW 60 434
		3P + ≍	4	GW 60 013	GW 60 035	GW 60 094	GW 60 117	GW 60 213	GW 60 235	GW 60 413	GW 60 435
		3P + N + ≍	4	GW 60 014	GW 60 036	GW 60 095	GW 60 118	GW 60 214	GW 60 236	GW 60 414	GW 60 436
	220 ◆ / 200 - ◆ / 250	2P + ≍	6	GW 60 015	GW 60 037	GW 60 096	GW 60 119	GW 60 215	GW 60 237	GW 60 415	GW 60 437
		3P + ≍	9	GW 60 016	GW 60 038	GW 60 097	GW 60 120	GW 60 216	GW 60 238	GW 60 416	GW 60 438
		3P + N + ≍	9	GW 60 017	GW 60 039	GW 60 098	GW 60 121	GW 60 217	GW 60 239	GW 60 417	GW 60 439
	380 ◆ / 380 - ◆ / 415	2P + ≍	9	GW 60 018	GW 60 040	GW 60 099	GW 60 122	GW 60 218	GW 60 240	GW 60 418	GW 60 440
		3P + ≍	6	GW 60 019	GW 60 041	GW 60 101	GW 60 123	GW 60 219	GW 60 241	GW 60 419	GW 60 441
		3P + N + ≍	6	GW 60 020	GW 60 042	GW 60 102	GW 60 124	GW 60 220	GW 60 242	GW 60 420	GW 60 442
	500 ◆ / 480 - ◆ / 500	3P + ≍	7	GW 60 021	GW 60 043	GW 60 103	GW 60 125	GW 60 221	GW 60 243	GW 60 421	GW 60 443
		3P + N + ≍	7	GW 60 022	GW 60 044	GW 60 104	GW 60 126	GW 60 222	GW 60 244	GW 60 422	GW 60 444
3P + ≍		3		GW 60 145		GW 60 146		GW 60 268		GW 60 482	

### Low-voltage industrial sockets and plugs 63A and 125A to IEC 309 standards

									
Nominal current In (A)	Nominal voltage Un (V)	No. poles	Reference h	Straight plugs IP 67	90° angled plugs IP 67	Straight connectors IP 67	10° angled flush-mounting socket-outlets IP 67	10° angled surface-mounting socket-outlets IP 67	90° angled surface-mounting socket-outlets IP 67
63	110 ◆ / 100 - ◆ / 130	2P + ≍	4	GW 61 045	GW 61 445	GW 63 045	GW 63 246	GW 63 445	GW 63 519
		3P + ≍	4	GW 61 046	GW 61 446	GW 63 046	GW 63 247	GW 63 446	GW 63 520
		3P + N + ≍	4	GW 61 047	GW 61 447	GW 63 047	GW 63 248	GW 63 447	GW 63 521
	220 ◆ / 200 - ◆ / 250	2P + ≍	6	GW 61 048	GW 61 448	GW 63 048	GW 63 249	GW 63 448	GW 63 522
		3P + ≍	9	GW 61 049	GW 61 449	GW 63 049	GW 63 250	GW 63 449	GW 63 523
		3P + N + ≍	9	GW 61 050	GW 61 450	GW 63 050	GW 63 251	GW 63 450	GW 63 524
	380 ◆ / 380 - ◆ / 415	2P + ≍	9	GW 61 051	GW 61 451	GW 63 051	GW 63 252	GW 63 451	GW 63 525
		3P + ≍	6	GW 61 052	GW 61 452	GW 63 052	GW 63 253	GW 63 452	GW 63 526
		3P + N + ≍	6	GW 61 053	GW 61 453	GW 63 053	GW 63 254	GW 63 453	GW 63 527
	500 ◆ / 480 - ◆ / 500	3P + ≍	7	GW 61 054	GW 61 454	GW 63 054	GW 63 255	GW 63 454	GW 63 528
		3P + N + ≍	7	GW 61 055	GW 61 455	GW 63 055	GW 63 256	GW 63 455	GW 63 529
125	110 ◆ / 100 - ◆ / 130	3P + ≍	4	GW 60 056	GW 60 456	GW 62 056	GW 62 257		GW 62 530
		3P + N + ≍	4	GW 60 057	GW 60 457	GW 62 057	GW 62 258		GW 62 531
	220 ◆ / 200 - ◆ / 250	3P + ≍	9	GW 60 058	GW 60 458	GW 62 058	GW 62 259		GW 62 532
		3P + N + ≍	9	GW 60 059	GW 60 459	GW 62 059	GW 62 260		GW 62 533
		3P + ≍	6	GW 60 060	GW 60 460	GW 62 060	GW 62 261		GW 62 534
	380 ◆ / 380 - ◆ / 415	3P + N + ≍	6	GW 60 061	GW 60 461	GW 62 061	GW 62 262		GW 62 535
		3P + ≍	7	GW 60 062	GW 66 462	GW 62 062	GW 62 263		GW 62 536
3P + N + ≍	7	GW 60 063	GW 60 463	GW 62 063	GW 62 264		GW 62 537		

Straight connectors IP 44		Straight connectors IP 67		90° angled connectors IP 44		90° angled connectors IP 67		10° angled flush-mounting socket-outlets IP 44		10° angled flush-mounting socket-outlets IP 67		10° angled surface-mounting socket-outlets IP 44		10° angled surface-mounting socket-outlets IP 67		90° angled surface-mounting socket-outlets IP 44		90° angled surface-mounting socket-outlets IP 67	
GW 62 001		GW 62 023		GW 62 082		GW 62 105		GW 62 201		GW 62 224		GW 62 401		GW 62 423		GW 62 474		GW 62 496	
GW 62 002		GW 62 024		GW 62 083		GW 62 106		GW 62 202		GW 62 225		GW 62 402		GW 62 424		GW 62 475		GW 62 497	
GW 62 003		GW 62 025		GW 62 084		GW 62 107		GW 62 203		GW 62 226		GW 62 403		GW 62 425		GW 62 476		GW 62 498	
GW 62 004		GW 62 026		GW 62 085		GW 62 108		GW 62 204*	GW 62 205	GW 62 227		GW 62 404		GW 62 426		GW 62 477		GW 62 499	
GW 62 005		GW 62 027		GW 62 086		GW 62 109		GW 62 206		GW 62 228		GW 62 405		GW 62 427		GW 62 478		GW 62 501	
GW 62 006		GW 62 028		GW 62 087		GW 62 110		GW 62 207		GW 62 229		GW 62 406		GW 62 428		GW 62 479		GW 62 502	
GW 62 007		GW 62 029		GW 62 088		GW 62 111		GW 62 208		GW 62 230		GW 62 407		GW 62 429		GW 62 480		GW 62 503	
GW 62 008		GW 62 030		GW 62 089		GW 62 112		GW 62 209		GW 62 231		GW 62 408		GW 62 430		GW 62 481		GW 62 504	
GW 62 009		GW 62 031		GW 62 090		GW 62 113		GW 62 210		GW 62 232		GW 62 409		GW 62 431		GW 62 482		GW 62 505	
GW 62 010		GW 62 032		GW 62 091		GW 62 114		GW 62 211		GW 62 233		GW 62 410		GW 62 432		GW 62 483		GW 62 506	
GW 62 011		GW 62 033		GW 62 092		GW 62 115		GW 62 212		GW 62 234		GW 62 411		GW 62 433		GW 62 484		GW 62 507	
GW 62 012		GW 62 034		GW 62 093		GW 62 116		GW 62 213		GW 62 235		GW 62 412		GW 62 434		GW 62 485		GW 62 508	
GW 62 013		GW 62 035		GW 62 094		GW 62 117		GW 62 214		GW 62 236		GW 62 413		GW 62 435		GW 62 486		GW 62 509	
GW 62 014		GW 62 036		GW 62 095		GW 62 118		GW 62 215		GW 62 237		GW 62 414		GW 62 436		GW 62 487		GW 62 510	
GW 62 015		GW 62 037		GW 62 096		GW 62 119		GW 62 216		GW 62 238		GW 62 415		GW 62 437		GW 62 488		GW 62 511	
GW 62 016		GW 62 038		GW 62 097		GW 62 120		GW 62 217		GW 62 239		GW 62 416		GW 62 438		GW 62 489		GW 62 512	
GW 62 017		GW 62 039		GW 62 098		GW 62 121		GW 62 218		GW 62 240		GW 62 417		GW 62 439		GW 62 490		GW 62 513	
GW 62 018		GW 62 040		GW 62 099		GW 62 122		GW 62 219		GW 62 241		GW 62 418		GW 62 440		GW 62 491		GW 62 514	
GW 62 019		GW 62 041		GW 62 101		GW 62 123		GW 62 220		GW 62 242		GW 62 419		GW 62 441		GW 62 492		GW 62 515	
GW 62 020		GW 62 042		GW 62 102		GW 62 124		GW 62 221		GW 62 243		GW 62 420		GW 62 442		GW 62 493		GW 62 516	
GW 62 021		GW 62 043		GW 62 103		GW 62 125		GW 62 222		GW 62 244		GW 62 421		GW 62 443		GW 62 494		GW 62 517	
GW 62 022		GW 62 044		GW 62 104		GW 62 126		GW 62 223		GW 62 245		GW 62 422		GW 62 444		GW 62 495		GW 62 518	
		GW 62 128				GW 62 127				GW 62 283				GW 62 556				GW 62 557	

\*APPLICATIONS: GW 62 204, compact cap (62 x 62 mm) for OEM use in confined space.

**Extra-low-voltage industrial sockets and plugs 16A and 32A to IEC 309 standards**

Nominal current In (A)	Nominal voltage Un (V)	No. poles	Reference h	Frequency (Hz)																
					Straight plugs IP 44	90° angled plugs IP 44	Straight flush-mounting appliance inlets IP 44	90° angled surface-mounting appliance inlets IP 44	Straight connectors IP 44	10° angled flush-mounting socket-outlets IP 44	10° angled flush-mounting socket-outlets IP 44	90° angled surface-mounting socket-outlets IP 44								
16	24 (20-25)	2P	s.r.	50/60	GW 60 064	GW 60 127	GW 60 245	GW 60 464	GW 62 064	GW 62 265	GW 62 456	GW 62 538								
		3P	s.r.	50/60	GW 60 065	GW 60 128	GW 60 246	GW 60 465	GW 62 065	GW 62 266	GW 62 457	GW 62 539								
		2P	12	50/60	GW 60 066	GW 60 129	GW 60 247	GW 60 466	GW 62 066	GW 62 267	GW 62 458	GW 62 540								
	42 (40-50)	3P	12	50/60	GW 60 067	GW 60 130	GW 60 248	GW 60 467	GW 62 067	GW 62 268	GW 62 459	GW 62 541								
		2P	4	100-200	GW 60 068	GW 60 131	GW 60 249	GW 60 468	GW 62 068	GW 62 269	GW 62 460	GW 62 542								
		3P	4	100-200	GW 60 069	GW 60 132	GW 60 250	GW 60 469	GW 62 069	GW 62 270	GW 62 461	GW 62 543								
	24 (20-25) e 42 (40-50)	2P	11	401-500	GW 60 070	GW 60 133	GW 60 251	GW 60 470	GW 62 070	GW 62 271	GW 62 462	GW 62 544								
		3P	11	401-500	GW 60 071	GW 60 134	GW 60 252	GW 60 471	GW 62 071	GW 62 272	GW 62 463	GW 62 545								
		2P	10	cc	GW 60 072	GW 60 135	GW 60 253	GW 60 472	GW 62 072	GW 62 273	GW 62 464	GW 62 546								
32	24 (20-25)	2P	s.r.	50/60	GW 60 073	GW 60 136	GW 60 254	GW 60 473	GW 62 073	GW 62 274	GW 62 465	GW 62 547								
		3P	s.r.	50/60	GW 60 074	GW 60 137	GW 60 255	GW 60 474	GW 62 074	GW 62 275	GW 62 466	GW 62 548								
		2P	12	50/60	GW 60 075	GW 60 138	GW 60 256	GW 60 475	GW 62 075	GW 62 276	GW 62 467	GW 62 549								
	42 (40-50)	3P	12	50/60	GW 60 076	GW 60 139	GW 60 257	GW 60 476	GW 62 076	GW 62 277	GW 62 468	GW 62 550								
		2P	4	100-200	GW 60 077	GW 60 140	GW 60 258	GW 60 477	GW 62 077	GW 62 278	GW 62 469	GW 62 551								
		3P	4	100-200	GW 60 078	GW 60 141	GW 60 259	GW 60 478	GW 62 078	GW 62 279	GW 62 470	GW 62 552								
	24 (20-25) e 42 (40-50)	2P	11	401-500	GW 60 079	GW 60 142	GW 60 260	GW 60 479	GW 62 079	GW 62 280	GW 62 471	GW 62 553								
		3P	11	401-500	GW 60 080	GW 60 143	GW 60 261	GW 60 480	GW 62 080	GW 62 281	GW 62 472	GW 62 554								
		2P	10	cc	GW 60 081	GW 60 144	GW 60 262	GW 60 481	GW 62 081	GW 62 282	GW 62 473	GW 62 555								

O.n.r. = no reference

# IEC 309 RANGE PLUGS TO IEC 309 STANDARDS

## Straight plugs

### IP 44



### 60 IEC 309 RANGE Low voltage straight plugs 50/60Hz - IP 44

Gewiss code	Nominal current In (A)	No. poles	Nominal voltage Un (V)	Reference h	Pack/ Carton Qty.
GW 60 001	16	2P + $\perp$	110 $\rightarrow/100 - \rightarrow/130$	4	10/ 40
GW 60 002		3P + $\perp$		4	10/ 20
GW 60 003		3P + N + $\perp$	4	10/ 20	
GW 60 004		2P + $\perp$	220 $\rightarrow/200 - \rightarrow/250$	6	10/100
GW 60 005		3P + $\perp$		9	10/ 40
GW 60 006		3P + N + $\perp$	380 $\rightarrow/380 - \rightarrow/415$	9	10/ 20
GW 60 007		2P + $\perp$		9	10/ 20
GW 60 008		3P + $\perp$		6	10/100
GW 60 009		3P + N + $\perp$	500 $\rightarrow/480 - \rightarrow/500$	6	10/ 40
GW 60 010		3P + $\perp$		7	10/ 20
GW 60 011		3P + N + $\perp$	7	10/ 20	
GW 60 012		32	2P + $\perp$	110 $\rightarrow/100 - \rightarrow/130$	4
GW 60 013	3P + $\perp$		4		8/ 16
GW 60 014	3P + N + $\perp$		4	8/ 16	
GW 60 015	2P + $\perp$		220 $\rightarrow/200 - \rightarrow/250$	6	8/ 32
GW 60 016	3P + $\perp$			9	8/ 16
GW 60 017	3P + N + $\perp$		380 $\rightarrow/380 - \rightarrow/415$	9	8/ 16
GW 60 018	2P + $\perp$			9	8/ 16
GW 60 019	3P + $\perp$			6	8/ 32
GW 60 020	3P + N + $\perp$		500 $\rightarrow/480 - \rightarrow/500$	6	8/ 32
GW 60 021	3P + $\perp$			7	8/ 16
GW 60 022	3P + N + $\perp$		7	8/ 16	

### IP 67



### 60 IEC 309 RANGE Low voltage watertight straight plugs 50/60Hz - IP 67

Gewiss code	Nominal current In (A)	No. poles	Nominal voltage Un (V)	Reference h	Pack/ Carton Qty.
GW 60 023	16	2P + $\perp$	110 $\rightarrow/100 - \rightarrow/130$	4	10/20
GW 60 024		3P + $\perp$		4	10/20
GW 60 025		3P + N + $\perp$	4	10/20	
GW 60 026		2P + $\perp$	220 $\rightarrow/200 - \rightarrow/250$	6	10/40
GW 60 027		3P + $\perp$		9	10/20
GW 60 028		3P + N + $\perp$	380 $\rightarrow/380 - \rightarrow/415$	9	10/20
GW 60 029		2P + $\perp$		9	10/20
GW 60 030		3P + $\perp$		6	10/40
GW 60 031		3P + N + $\perp$	500 $\rightarrow/480 - \rightarrow/500$	6	10/40
GW 60 032		3P + $\perp$		7	10/20
GW 60 033		3P + N + $\perp$	7	10/20	
GW 60 034		32	2P + $\perp$	110 $\rightarrow/100 - \rightarrow/130$	4
GW 60 035	3P + $\perp$		4		8/16
GW 60 036	3P + N + $\perp$		4	8/16	
GW 60 037	2P + $\perp$		220 $\rightarrow/200 - \rightarrow/250$	6	8/16
GW 60 038	3P + $\perp$			9	8/16
GW 60 039	3P + N + $\perp$		380 $\rightarrow/380 - \rightarrow/415$	9	8/16
GW 60 040	2P + $\perp$			9	8/16
GW 60 041	3P + $\perp$			6	8/16
GW 60 042	3P + N + $\perp$		500 $\rightarrow/480 - \rightarrow/500$	6	8/16
GW 60 043	3P + $\perp$			7	8/16
GW 60 044	3P + N + $\perp$		7	8/16	
GW 60 145			3P + $\perp$	380 / 440	3

Selection guide: pages 116-117

Corresponding straight connectors: pages 126-127

Technical sheets: pages 272-273

Dimensions: pages 274-277

Complementary system items: page 114

Characteristics and advantages: page 115

**IP 67**



**60/61 IEC 309 RANGE**

Low voltage watertight straight plugs  
50/60Hz - IP 67

Gewiss code	Nominal current In (A)	No. poles	Nominal voltage Un (V)	Reference h	Pack/ Carton Qty.
GW61 045	63	2P + $\perp$	110 +/100 - +/130	4	2/4
GW61 046		3P + $\perp$		4	2/4
GW61 047		3P + N + $\perp$	4	2/4	
GW61 048		2P + $\perp$	6	2/4	
GW61 049		3P + $\perp$	220 +/200 - +/250	9	2/4
GW61 050		3P + N + $\perp$	9	2/4	
GW61 051		2P + $\perp$	380 +/380 - +/415	9	2/4
GW61 052		3P + $\perp$		6	2/4
GW61 053		3P + N + $\perp$	6	2/4	
GW61 054		3P + $\perp$	500 +/480 - +/500	7	2/4
GW61 055	3P + N + $\perp$	7		2/4	
GW60 056	125	3P + $\perp$	110 +/100 - +/130	4	1/2
GW60 057		3P + N + $\perp$		4	1/2
GW60 058		3P + $\perp$	9	1/2	
GW60 059		3P + N + $\perp$	220 +/200 - +/250	9	1/2
GW60 060		3P + $\perp$	380 +/380 - +/415	6	1/2
GW60 061		3P + N + $\perp$		6	1/2
GW60 062		3P + $\perp$	500 +/480 - +/500	7	1/2
GW60 063		3P + N + $\perp$		7	1/2

**IP 44**



**60 IEC 309 RANGE**

Extra-low voltage straight plugs  
IP 44

Gewiss code	Nominal current In (A)	Frequency (Hz)	No. poles	Nominal voltage Un (V)	Reference h	Pack/ Carton Qty.	
GW60 064	16	50 / 60	2P	24 (20 - 25)	s.r.	10/40	
GW60 065		50 / 60	3P	(20 - 25)	s.r.	10/20	
GW60 066		50 / 60	2P	42 (40 - 50)	12	10/20	
GW60 067		50 / 60	3P	(40 - 50)	12	10/20	
GW60 068		100 - 200	2P	24 (20 - 25)	4	10/20	
GW60 069		100 - 200	3P	(20 - 25)	4	10/20	
GW60 070		401 - 500	2P	42 (40 - 50)	11	10/20	
GW60 071		401 - 500	3P	(40 - 50)	11	10/20	
GW60 072			cc	2P	(20 - 25) (40 - 50)	10	10/20
GW60 073		32	50 / 60	2P	24 (20 - 25)	s.r.	10/20
GW60 074	50 / 60		3P	(20 - 25)	s.r.	10/20	
GW60 075	50 / 60		2P	42 (40 - 50)	12	10/20	
GW60 076	50 / 60		3P	(40 - 50)	12	10/20	
GW60 077	100 - 200		2P	24 (20 - 25)	4	10/20	
GW60 078	100 - 200		3P	(20 - 25)	4	10/20	
GW60 079	401 - 500		2P	42 (40 - 50)	11	10/20	
GW60 080	401 - 500		3P	(40 - 50)	11	10/20	
GW60 081			cc	2P	(20 - 25) (40 - 50)	10	10/20

s.r. = without references.

# IEC 309 RANGE PLUGS TO IEC 309 STANDARDS

## 90° angled plugs

### IP 44



Reduction in overall dimensions by approximately 25%



### 60 IEC 309 RANGE

Low voltage 90° angled plugs  
50/60Hz - IP 44

Gewiss code	Nominal current In (A)	No. poles	Nominal voltage Un (V)	Reference h	Pack/ Carton Qty.
GW 60 082	16	2P + $\perp$	110 ↗/100 - ↘/130	4	10/40
GW 60 083		3P + $\perp$		4	10/20
GW 60 084		3P + N + $\perp$	4	10/20	
GW 60 085		2P + $\perp$	220 ↗/200 - ↘/250	6	10/40
GW 60 086		3P + $\perp$		9	10/20
GW 60 087		3P + N + $\perp$	9	10/20	
GW 60 088		2P + $\perp$	380 ↗/380 - ↘/415	9	10/20
GW 60 089		3P + $\perp$		6	10/40
GW 60 090		3P + N + $\perp$	6	10/40	
GW 60 091		3P + $\perp$	500 ↗/480 - ↘/500	7	10/20
GW 60 092	3P + N + $\perp$	7		10/20	
GW 60 093	32	2P + $\perp$	110 ↗/100 - ↘/130	4	8/16
GW 60 094		3P + $\perp$		4	8/16
GW 60 095		3P + N + $\perp$	4	8/16	
GW 60 096		2P + $\perp$	220 ↗/200 - ↘/250	6	8/16
GW 60 097		3P + $\perp$		9	8/16
GW 60 098		3P + N + $\perp$	9	8/16	
GW 60 099		2P + $\perp$	380 ↗/380 - ↘/415	9	8/16
GW 60 101		3P + $\perp$		6	8/16
GW 60 102		3P + N + $\perp$	6	8/16	
GW 60 103		3P + $\perp$	500 ↗/480 - ↘/500	7	8/16
GW 60 104	3P + N + $\perp$	7		8/16	

### IP 67



### 60 IEC 309 RANGE

Low voltage watertight 90° angled plugs  
50/60Hz - IP 67

Gewiss code	Nominal current In (A)	No. poles	Nominal voltage Un(V)	Reference h	Pack/ Carton Qty.
GW 60 105	16	2P + $\perp$	110 ↗/100 - ↘/130	4	10/20
GW 60 106		3P + $\perp$		4	10/20
GW 60 107		3P + N + $\perp$	4	10/20	
GW 60 108		2P + $\perp$	220 ↗/200 - ↘/250	6	10/40
GW 60 109		3P + $\perp$		9	10/20
GW 60 110		3P + N + $\perp$	9	10/20	
GW 60 111		2P + $\perp$	380 ↗/380 - ↘/415	9	10/20
GW 60 112		3P + $\perp$		6	10/40
GW 60 113		3P + N + $\perp$	6	10/40	
GW 60 114		3P + $\perp$	500 ↗/480 - ↘/500	7	10/20
GW 60 115	3P + N + $\perp$	7		10/20	
GW 60 116	32	2P + $\perp$	110 ↗/100 - ↘/130	4	8/16
GW 60 117		3P + $\perp$		4	8/16
GW 60 118		3P + N + $\perp$	4	8/16	
GW 60 119		2P + $\perp$	220 ↗/200 - ↘/250	6	8/16
GW 60 120		3P + $\perp$		9	8/16
GW 60 121		3P + N + $\perp$	9	8/16	
GW 60 122		2P + $\perp$	380 ↗/380 - ↘/415	9	8/16
GW 60 123		3P + $\perp$		6	8/16
GW 60 124		3P + N + $\perp$	6	8/16	
GW 60 125		3P + $\perp$	500 ↗/480 - ↘/500	7	8/16
GW 60 126	3P + N + $\perp$	7		8/16	
GW 60 146		3P + $\perp$	380 / 440	3	8/16

Selection guide: pages 116-117

Corresponding 10° angled socket-outlets: pages 130-131

Technical sheets: pages 272-273

Dimensions: pages 274-277

Complementary system items: page 114

Characteristics and advantages: page 115

IP 44

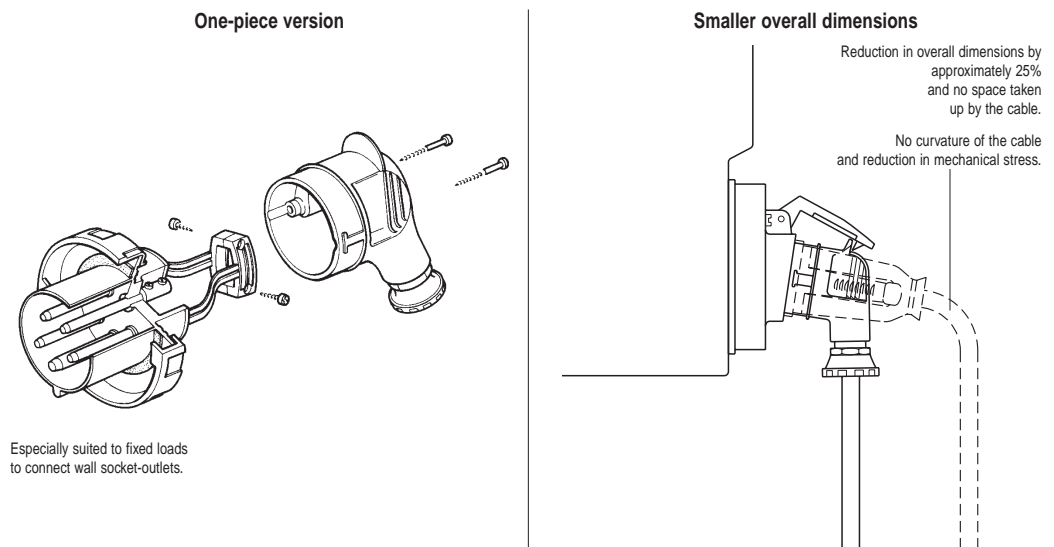


**60 IEC 309 RANGE**  
Extra-low voltage 90° angled plugs  
IP 44

Gewiss code	Nominal current In (A)	Frequency (Hz)	No. poles	Nominal voltage Un (V)	Reference h	Pack/ Carton Qty.	
<b>GW60 127</b>	16	50 / 60	2P	24	s.r.	10/40	
<b>GW60 128</b>		50 / 60	3P	(20 - 25)	s.r.	10/20	
<b>GW60 129</b>		50 / 60	2P	42	12	10/20	
<b>GW60 130</b>		50 / 60	3P	(40 - 50)	12	10/20	
<b>GW60 131</b>		100 - 200	2P	24	4	10/20	
<b>GW60 132</b>		100 - 200	3P	(20 - 25)	4	10/20	
<b>GW60 133</b>		401 - 500	2P	42	11	10/20	
<b>GW60 134</b>		401 - 500	3P	(40 - 50)	11	10/20	
<b>GW60 135</b>		cc		2P	(20 - 25) (40 - 50)	10	10/20
<b>GW60 136</b>		32	50 / 60	2P	24	s.r.	10/20
<b>GW60 137</b>	50 / 60		3P	(20 - 25)	s.r.	10/20	
<b>GW60 138</b>	50 / 60		2P	42	12	10/20	
<b>GW60 139</b>	50 / 60		3P	(40 - 50)	12	10/20	
<b>GW60 140</b>	100 - 200		2P	24	4	10/20	
<b>GW60 141</b>	100 - 200		3P	(20 - 25)	4	10/20	
<b>GW60 142</b>	401 - 500		2P	42	11	10/20	
<b>GW60 143</b>	401 - 500		3P	(40 - 50)	11	10/20	
<b>GW60 144</b>	cc			2P	(20 - 25) (40 - 50)	10	10/20

s.r. = without reference

**THE ADVANTAGES OF 90° ANGLED PLUGS WITH REDUCED PROTRUSION**





# IEC 309 RANGE PLUGS TO IEC 309 STANDARDS

## Straight flush-mounting appliance inlets

### IP 44



Holding device in conformity with the IEC 309 standard



### 60 IEC 309 RANGE

Low voltage flush-mounting appliance inlets  
50/60Hz - IP 44

Gewiss code	Nominal current In (A)	No. poles	Nominal voltage Un (V)	Reference h	Pack/ Carton Qty.
GW 60 201	16 Cover 85 x 75 mm	2P + $\perp$	110 $\neq/100 - \neq/130$	4	10/20
GW 60 202		3P + $\perp$		4	10/20
GW 60 203		3P + N + $\perp$	4	10/20	
GW 60 204		2P + $\perp$	220 $\neq/200 - \neq/250$	6	10/20
GW 60 205		3P + $\perp$		9	10/20
GW 60 206		3P + N + $\perp$	9	10/20	
GW 60 207		2P + $\perp$	380 $\neq/380 - \neq/415$	9	10/20
GW 60 208		3P + $\perp$		6	10/20
GW 60 209		3P + N + $\perp$	6	10/20	
GW 60 210		3P + $\perp$	500 $\neq/480 - \neq/500$	7	10/20
GW 60 211		3P + N + $\perp$		7	10/20
GW 60 212		32 Cover 95 x 80 mm	2P + $\perp$	110 $\neq/100 - \neq/130$	4
GW 60 213	3P + $\perp$		4		8/16
GW 60 214	3P + N + $\perp$		4	8/16	
GW 60 215	2P + $\perp$		220 $\neq/200 - \neq/250$	6	8/16
GW 60 216	3P + $\perp$			9	8/16
GW 60 217	3P + N + $\perp$		9	8/16	
GW 60 218	2P + $\perp$		380 $\neq/380 - \neq/415$	9	8/16
GW 60 219	3P + $\perp$			6	8/16
GW 60 220	3P + N + $\perp$		6	8/16	
GW 60 221	3P + $\perp$		500 $\neq/480 - \neq/500$	7	8/16
GW 60 222	3P + N + $\perp$			7	8/16

### IP 67



### 60 IEC 309 RANGE

Low voltage watertight flush-mounting appliance inlets  
50/60Hz - IP 67

Gewiss code	Nominal current In (A)	No. poles	Nominal voltage Un (V)	Reference h	Pack/ Carton Qty.
GW 60 223	16 Cover 85 x 75 mm	2P + $\perp$	110 $\neq/100 - \neq/130$	4	10/20
GW 60 224		3P + $\perp$		4	10/20
GW 60 225		3P + N + $\perp$	4	10/20	
GW 60 226		2P + $\perp$	220 $\neq/200 - \neq/250$	6	10/20
GW 60 227		3P + $\perp$		9	10/20
GW 60 228		3P + N + $\perp$	9	10/20	
GW 60 229		2P + $\perp$	380 $\neq/380 - \neq/415$	9	10/20
GW 60 230		3P + $\perp$		6	10/20
GW 60 231		3P + N + $\perp$	6	10/20	
GW 60 232		3P + $\perp$	500 $\neq/480 - \neq/500$	7	10/20
GW 60 233		3P + N + $\perp$		7	10/20
GW 60 234		32 Cover 95 x 80 mm	2P + $\perp$	110 $\neq/100 - \neq/130$	4
GW 60 235	3P + $\perp$		4		8/16
GW 60 236	3P + N + $\perp$		4	8/16	
GW 60 237	2P + $\perp$		220 $\neq/200 - \neq/250$	6	8/16
GW 60 238	3P + $\perp$			9	8/16
GW 60 239	3P + N + $\perp$		9	8/16	
GW 60 240	2P + $\perp$		380 $\neq/380 - \neq/415$	9	8/16
GW 60 241	3P + $\perp$			6	8/16
GW 60 242	3P + N + $\perp$		6	8/16	
GW 60 243	3P + $\perp$		500 $\neq/480 - \neq/500$	7	8/16
GW 60 244	3P + N + $\perp$			7	8/16
GW 60 268			3P + $\perp$	380 / 440	3

Selection guide: pages 116-117

Corresponding straight connectors: pages 126-127  
90° angled connectors: pages 128-129

Technical sheets: pages 272-273  
Dimensions: pages 274-277

Complementary system items: page 114

Characteristics and advantages: page 115

**IP 44**



**60 IEC 309 RANGE**

Extra-low voltage flush-mounting appliance inlets  
IP 44

Gewiss code	Nominal current In (A)	Frequency (Hz)	No. poles	Nominal voltage Un (V)	Reference	Pack/ Carton Qty.
GW 60 245	16 Cover 85 x 75 mm	50 / 60	2P	24	s.r.	10/20
GW 60 246		50 / 60	3P	(20 - 25)	s.r.	10/20
GW 60 247		50 / 60	2P	42	12	10/20
GW 60 248	32 Cover 85 x 75 mm	50 / 60	3P	(40 - 50)	12	10/20
GW 60 249		100 - 200	2P	24	4	10/20
GW 60 250		100 - 200	3P	(20 - 25)	4	10/20
GW 60 251	cc	401 - 500	2P	42	11	10/20
GW 60 252		401 - 500	3P	(40 - 50)	11	10/20
GW 60 253		cc	2P	(20 - 25) (40 - 50)	10	10/20
GW 60 254	16 Cover 85 x 75 mm	50 / 60	2P	24	s.r.	10/20
GW 60 255		50 / 60	3P	(20 - 25)	s.r.	10/20
GW 60 256		50 / 60	2P	42	12	10/20
GW 60 257	32 Cover 85 x 75 mm	50 / 60	3P	(40 - 50)	12	10/20
GW 60 258		100 - 200	2P	24	4	10/20
GW 60 259		100 - 200	3P	(20 - 25)	4	10/20
GW 60 260	cc	401 - 500	2P	42	11	10/20
GW 60 261		401 - 500	3P	(40 - 50)	11	10/20
GW 60 262		cc	2P	(20 - 25) (40 - 50)	10	10/20

s.r. = without reference

**IP 67**

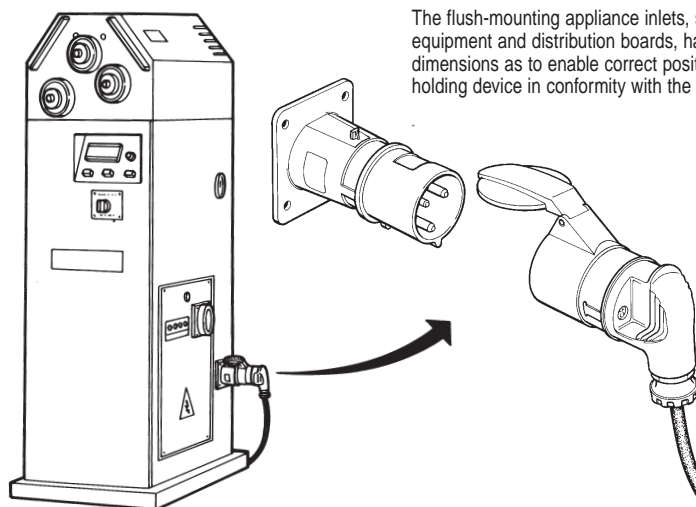


**60 IEC 309 RANGE**

Watertight caps for appliance inlets - IP 67

Gewiss code	Suitable for appliance inlets type		Pack/ Carton Qty.
	Nominal current In (A)	No. poles	
GW 60 263	16	2P + $\oplus$	10/120
GW 60 264		3P + $\oplus$	10/120
GW 60 265		3P + N + $\oplus$	10/120
GW 60 266	32	2P + $\oplus$ and 3P + $\oplus$	8/ 96
GW 60 267		3P + N + $\oplus$	8/ 96

**APPLICATIONS**



The flush-mounting appliance inlets, suitable to supply equipment and distribution boards, have such overall dimensions as to enable correct positioning of the holding device in conformity with the IEC 309 standard.

It is advisable to use 90° angled connectors designed specially to limit overall dimensions

# IEC 309 RANGE PLUGS TO IEC 309 STANDARDS

## Wall-mounting 90° angled appliance inlets

### IP 44



### 60 IEC 309 RANGE

Low voltage wall-mounting 90° angled appliance inlets  
50/60Hz - IP 44

Gewiss code	Nominal current In (A)	No. poles	Nominal voltage Un (V)	Ref. h	Entry with stepped gland (supplied)	Pack/ Carton Qty.		
GW 60 401	16	2P + $\perp$	110 ↕/100 - ↕/130	4	Ø 20 mm	10/40		
GW 60 402		3P + $\perp$		4		10/20		
GW 60 403		3P + N + $\perp$	4	10/20				
GW 60 404		2P + $\perp$	220 ↕/200 - ↕/250	6		10/40		
GW 60 405		3P + $\perp$		9		10/20		
GW 60 406		3P + N + $\perp$	9	10/20				
GW 60 407		2P + $\perp$	380 ↕/380 - ↕/415	9		10/20		
GW 60 408		3P + $\perp$		6		10/40		
GW 60 409		3P + N + $\perp$	6	10/40				
GW 60 410		3P + $\perp$	500 ↕/480 - ↕/500	7		10/20		
GW 60 411		3P + N + $\perp$		7		10/20		
GW 60 412		32	2P + $\perp$	110 ↕/100 - ↕/130		4	Ø 23 mm	8/16
GW 60 413			3P + $\perp$			4		8/16
GW 60 414			3P + N + $\perp$	4		8/16		
GW 60 415			2P + $\perp$	220 ↕/200 - ↕/250		6		8/16
GW 60 416			3P + $\perp$			9		8/16
GW 60 417	3P + N + $\perp$		9	8/16				
GW 60 418	2P + $\perp$		380 ↕/380 - ↕/415	9	8/16			
GW 60 419	3P + $\perp$			6	8/16			
GW 60 420	3P + N + $\perp$		6	8/16				
GW 60 421	3P + $\perp$		500 ↕/480 - ↕/500	7	8/16			
GW 60 422	3P + N + $\perp$			7	8/16			

### IP 67



### 60 IEC 309 RANGE

Low voltage watertight flush-mounting 90° angled appliance inlets  
50/60Hz - IP 67

Gewiss code	Nominal current In (A)	No. poles	Nominal voltage Un (V)	Ref. h	Entry with cable gland (supplied)	Pack/ Carton Qty.		
GW 60 423	16	2P + $\perp$	110 ↕/100 - ↕/130	4	Pg 21	10/20		
GW 60 424		3P + $\perp$		4		10/20		
GW 60 425		3P + N + $\perp$	4	10/20				
GW 60 426		2P + $\perp$	220 ↕/200 - ↕/250	6		10/40		
GW 60 427		3P + $\perp$		9		10/20		
GW 60 428		3P + N + $\perp$	9	10/20				
GW 60 429		2P + $\perp$	380 ↕/380 - ↕/415	9		10/20		
GW 60 430		3P + $\perp$		6		10/40		
GW 60 431		3P + N + $\perp$	6	10/40				
GW 60 432		3P + $\perp$	500 ↕/480 - ↕/500	7		10/20		
GW 60 433		3P + N + $\perp$		7		10/20		
GW 60 434		32	2P + $\perp$	110 ↕/100 - ↕/130		4	Pg 21	8/16
GW 60 435			3P + $\perp$			4		8/16
GW 60 436			3P + N + $\perp$	4		8/16		
GW 60 437			2P + $\perp$	220 ↕/200 - ↕/250		6		8/16
GW 60 438			3P + $\perp$			9		8/16
GW 60 439	3P + N + $\perp$		9	8/16				
GW 60 440	2P + $\perp$		380 ↕/380 - ↕/415	9	8/16			
GW 60 441	3P + $\perp$			6	8/16			
GW 60 442	3P + N + $\perp$		6	8/16				
GW 60 443	3P + $\perp$		500 ↕/480 - ↕/500	7	8/16			
GW 60 444	3P + N + $\perp$			7	8/16			
GW 60 482	3P + $\perp$			380 / 440	3	8/16		

Selection guide: pages 116-117

Corresponding straight connectors: pages 126-127

Technical sheets: pages 272-273

Dimensions: pages 274-277

Complementary system items: page 114

Characteristics and advantages: page 115

**IP 67**



**60/61 IEC 309 RANGE**

Low voltage watertight wall-mounting 90° angled appliance inlets  
50/60Hz - IP 67

Gewiss code	Nominal current In (A)	No. poles	Nominal voltage Un (V)	Ref. h	Entry with cable gland (supplied)	Pack/ Carton Qty.
GW61 445	63	2P + $\perp$	110 +/100 - +/130	4	Pg 36	2/4
GW61 446		3P + $\perp$		4		2/4
GW61 447		3P + N + $\perp$		4		2/4
GW61 448		2P + $\perp$	220 +/200 - +/250	6		2/4
GW61 449		3P + $\perp$		9		2/4
GW61 450		3P + N + $\perp$	380 +/380 - +/415	9		2/4
GW61 451		2P + $\perp$		9		2/4
GW61 452		3P + $\perp$		6		2/4
GW61 453		3P + N + $\perp$	500 +/480 - +/500	6		2/4
GW61 454		3P + $\perp$		7		2/4
GW61 455	3P + N + $\perp$	7	2/4			
GW60 456	125	3P + $\perp$	110 +/100 - +/130	4	Pg 48	1/2
GW60 457		3P + N + $\perp$		4		1/2
GW60 458		3P + $\perp$	220 +/200 - +/250	9		1/2
GW60 459		3P + N + $\perp$		9		1/2
GW60 460		3P + $\perp$	380 +/380 - +/415	6		1/2
GW60 461		3P + N + $\perp$		6		1/2
GW60 462		3P + $\perp$	500 +/480 - +/500	7		1/2
GW60 463		3P + N + $\perp$		7		1/2

**IP 44**



**60 IEC 309 RANGE**

Extra-low voltage wall-mounting 90° angled appliance inlets  
IP 44

Gewiss code	Nominal current In (A)	Frequency (Hz)	No. poles	Nominal voltage Un (V)	Ref. h	Entry with stepped gland (supplied)	Pack/ Carton Qty.	
GW60 464	16	50 / 60	2P	24 (20 - 25)	s.r.	Ø 23 mm	10/40	
GW60 465		50 / 60	3P	(20 - 25)	s.r.		10/20	
GW60 466		50 / 60	2P	42 (40 - 50)	12		10/20	
GW60 467		50 / 60	3P	(40 - 50)	12		10/20	
GW60 468		100 - 200	2P	24 (20 - 25)	4		10/20	
GW60 469		100 - 200	3P	(20 - 25)	4		10/20	
GW60 470		401 - 500	2P	42 (40 - 50)	11		10/20	
GW60 471		401 - 500	3P	(40 - 50)	11		10/20	
GW60 472		cc		2P	(20 - 25) (40 - 50)		10	10/20
GW60 473		32	50 / 60	2P	24 (20 - 25)		s.r.	Ø 23 mm
GW60 474	50 / 60		3P	(20 - 25)	s.r.	10/20		
GW60 475	50 / 60		2P	42 (40 - 50)	12	10/20		
GW60 476	50 / 60		3P	(40 - 50)	12	10/20		
GW60 477	100 - 200		2P	24 (20 - 25)	4	10/20		
GW60 478	100 - 200		3P	(20 - 25)	4	10/20		
GW60 479	401 - 500		2P	42 (40 - 50)	11	10/20		
GW60 480	401 - 500		3P	(40 - 50)	11	10/20		
GW60 481	cc			2P	(20 - 25) (40 - 50)	10	10/20	

s.r. = without reference

# IEC 309 RANGE SOCKETS TO IEC 309 STANDARDS

## Straight connectors

### IP 44



### 62 IEC 309 RANGE

Low voltage straight socket connectors - 50/60Hz  
IP 44

Gewiss code	Nominal current In (A)	No. poles	Nominal voltage Un (V)	Reference h	Pack/ Carton Qty.
GW 62 001	16	2P + $\perp$	110 ↗/100 - ↘/130	4	10/ 40
GW 62 002		3P + $\perp$		4	10/ 20
GW 62 003		3P + N + $\perp$	4	10/ 20	
GW 62 004		2P + $\perp$	220 ↗/200 - ↘/250	6	10/100
GW 62 005		3P + $\perp$		9	10/ 40
GW 62 006		3P + N + $\perp$		9	10/ 20
GW 62 007		2P + $\perp$	380 ↗/380 - ↘/415	9	10/ 20
GW 62 008		3P + $\perp$		6	10/100
GW 62 009		3P + N + $\perp$		6	10/ 40
GW 62 010	3P + $\perp$	500 ↗/480 - ↘/500	7	10/ 20	
GW 62 011	3P + N + $\perp$		7	10/ 20	
GW 62 012	32	2P + $\perp$	110 ↗/100 - ↘/130	4	8/ 16
GW 62 013		3P + $\perp$		4	8/ 16
GW 62 014		3P + N + $\perp$	4	8/ 16	
GW 62 015		2P + $\perp$	220 ↗/200 - ↘/250	6	8/ 32
GW 62 016		3P + $\perp$		9	8/ 16
GW 62 017		3P + N + $\perp$		9	8/ 16
GW 62 018		2P + $\perp$	380 ↗/380 - ↘/415	9	8/ 16
GW 62 019		3P + $\perp$		6	8/ 32
GW 62 020		3P + N + $\perp$		6	8/ 32
GW 62 021	3P + $\perp$	500 ↗/480 - ↘/500	7	8/ 16	
GW 62 022	3P + N + $\perp$		7	8/ 16	

### IP 67



### 62 IEC 309 RANGE

Low voltage watertight straight socket connectors  
50/60Hz - IP 67

Gewiss code	Nominal current In (A)	No. poles	Nominal voltage Un (V)	Reference h	Pack/ Carton Qty.
GW 62 023	16	2P + $\perp$	110 ↗/100 - ↘/130	4	10/20
GW 62 024		3P + $\perp$		4	10/20
GW 62 025		3P + N + $\perp$	4	10/20	
GW 62 026		2P + $\perp$	220 ↗/200 - ↘/250	6	10/40
GW 62 027		3P + $\perp$		9	10/20
GW 62 028		3P + N + $\perp$		9	10/20
GW 62 029		2P + $\perp$	380 ↗/380 - ↘/415	9	10/20
GW 62 030		3P + $\perp$		6	10/40
GW 62 031		3P + N + $\perp$		6	10/40
GW 62 032	3P + $\perp$	500 ↗/480 - ↘/500	7	10/20	
GW 62 033	3P + N + $\perp$		7	10/20	
GW 62 034	32	2P + $\perp$	110 ↗/100 - ↘/130	4	8/16
GW 62 035		3P + $\perp$		4	8/16
GW 62 036		3P + N + $\perp$	4	8/16	
GW 62 037		2P + $\perp$	220 ↗/200 - ↘/250	6	8/16
GW 62 038		3P + $\perp$		9	8/16
GW 62 039		3P + N + $\perp$		9	8/16
GW 62 040		2P + $\perp$	380 ↗/380 - ↘/415	9	8/16
GW 62 041		3P + $\perp$		6	8/16
GW 62 042		3P + N + $\perp$		6	8/16
GW 62 043	3P + $\perp$	500 ↗/480 - ↘/500	7	8/16	
GW 62 044	3P + N + $\perp$		7	8/16	
GW 62 128		3P + $\perp$	380 / 440	3	8/16

Selection guide: pages 116-117

Corresponding straight connectors: pages 118-119

Technical sheets: pages 272-273

Dimensions: pages 274-277

Complementary system items: page 114

Characteristics and advantages: page 115

**IP 67**

**62/63 IEC 309 RANGE**

 Low voltage watertight straight socket connectors  
 50/60Hz - IP 67

Gewiss code	Nominal current In (A)	No. poles	Nominal voltage Un (V)	Reference h	Pack/ Carton Qty.
GW 63 045	63	2P + $\oplus$	110 +/100 - +/130	4	2/4
GW 63 046		3P + $\oplus$		4	2/4
GW 63 047		3P + N + $\oplus$	4	2/4	
GW 63 048		2P + $\oplus$	220 +/200 - +/250	6	2/4
GW 63 049		3P + $\oplus$		9	2/4
GW 63 050		3P + N + $\oplus$	9	2/4	
GW 63 051		2P + $\oplus$	380 +/380 - +/415	9	2/4
GW 63 052		3P + $\oplus$		6	2/4
GW 63 053		3P + N + $\oplus$	6	2/4	
GW 63 054		3P + $\oplus$	500 +/480 - +/500	7	2/4
GW 63 055	3P + N + $\oplus$	7		2/4	
GW 62 056	125	3P + $\oplus$	110 +/100 - +/130	4	1/2
GW 62 057		3P + N + $\oplus$		4	1/2
GW 62 058		3P + $\oplus$	220 +/200 - +/250	9	1/2
GW 62 059		3P + N + $\oplus$		9	1/2
GW 62 060		3P + $\oplus$	380 +/380 - +/415	6	1/2
GW 62 061		3P + N + $\oplus$		6	1/2
GW 62 062		3P + $\oplus$	500 +/480 - +/500	7	1/2
GW 62 063		3P + N + $\oplus$		7	1/2

**IP 44**

**62 IEC 309 RANGE**

 Extra-low voltage straight socket connectors  
 IP 44

Gewiss code	Nominal current In (A)	Frequency (Hz)	No. poles	Nominal voltage Un (V)	Reference h	Pack/ Carton Qty.	
GW 62 064	16	50 / 60	2P	24 (20 - 25)	s.r.	10/40	
GW 62 065		50 / 60	3P		s.r.	10/20	
GW 62 066		50 / 60	2P	42 (40 - 50)	12	10/20	
GW 62 067		50 / 60	3P		12	10/20	
GW 62 068		100 - 200	2P	24 (20 - 25)	4	10/20	
GW 62 069		100 - 200	3P		4	10/20	
GW 62 070		401 - 500	2P	42 (40 - 50)	11	10/20	
GW 62 071		401 - 500	3P		11	10/20	
GW 62 072			cc	2P	(20 - 25) (40 - 50)	10	10/20
GW 62 073		32	50 / 60	2P	24 (20 - 25)	s.r.	10/20
GW 62 074	50 / 60		3P	s.r.		10/20	
GW 62 075	50 / 60		2P	42 (40 - 50)	12	10/20	
GW 62 076	50 / 60		3P		12	10/20	
GW 62 077	100 - 200		2P	24 (20 - 25)	4	10/20	
GW 62 078	100 - 200		3P		4	10/20	
GW 62 079	401 - 500		2P	42 (40 - 50)	11	10/20	
GW 62 080	401 - 500		3P		11	10/20	
GW 62 081			cc	2P	(20 - 25) (40 - 50)	10	10/20

s.r. = without reference

# IEC 309 RANGE SOCKETS TO IEC 309 STANDARDS

90° angled connector

IP 44



Reduction in overall dimensions by approximately 25%



## 62 IEC 309 RANGE

Low voltage 90° angled plugs  
50/60Hz - IP 44

Gewiss code	Nominal current In (A)	No. poles	Nominal voltage Un (V)	Reference h	Pack/ Carton Qty.
GW 62 082	16	2P + $\perp$	110 ↗/100 - ↘/130	4	10/20
GW 62 083		3P + $\perp$		4	10/20
GW 62 084		3P + N + $\perp$	4	10/20	
GW 62 085		2P + $\perp$	220 ↗/200 - ↘/250	6	10/20
GW 62 086		3P + $\perp$		9	10/20
GW 62 087		3P + N + $\perp$	9	10/20	
GW 62 088		2P + $\perp$	380 ↗/380 - ↘/415	9	10/20
GW 62 089		3P + $\perp$		6	10/20
GW 62 090		3P + N + $\perp$	6	10/20	
GW 62 091		3P + $\perp$	500 ↗/480 - ↘/500	7	10/20
GW 62 092	3P + N + $\perp$	7		10/20	
GW 62 093	32	2P + $\perp$	110 ↗/100 - ↘/130	4	8/16
GW 62 094		3P + $\perp$		4	8/16
GW 62 095		3P + N + $\perp$	4	8/16	
GW 62 096		2P + $\perp$	220 ↗/200 - ↘/250	6	8/16
GW 62 097		3P + $\perp$		9	8/16
GW 62 098		3P + N + $\perp$	9	8/16	
GW 62 099		2P + $\perp$	380 ↗/380 - ↘/415	9	8/16
GW 62 101		3P + $\perp$		6	8/16
GW 62 102		3P + N + $\perp$	6	8/16	
GW 62 103		3P + $\perp$	500 ↗/480 - ↘/500	7	8/16
GW 62 104	3P + N + $\perp$	7		8/16	

Selection guide: pages 116-117

Corresponding straight flush-mounting appliance inlets page 122

Technical sheets: pages 272-273

Dimensions: pages 274-277

Complementary system items: page 114

Characteristics and advantages: page 115

IP 67



### 62 IEC 309 RANGE

Low voltage watertight 90° angled socket connectors  
50/60Hz - IP 67

Gewiss code	Nominal current In (A)	No. poles	Nominal voltage Un (V)	Reference h	Pack/ Carton Qty.
GW62 105	16	2P + $\perp$	110 +/100 - +/130	4	10/20
GW62 106		3P + $\perp$		4	10/20
GW62 107		3P + N + $\perp$		4	10/20
GW62 108	16	2P + $\perp$	220 +/200 - +/250	6	10/20
GW62 109		3P + $\perp$		9	10/20
GW62 110		3P + N + $\perp$		9	10/20
GW62 111	16	2P + $\perp$	380 +/380 - +/415	9	10/20
GW62 112		3P + $\perp$		6	10/20
GW62 113		3P + N + $\perp$		6	10/20
GW62 114	16	3P + $\perp$	500 +/480 - +/500	7	10/20
GW62 115		3P + N + $\perp$		7	10/20
GW62 116		2P + $\perp$		4	8/16
GW62 117	32	3P + $\perp$	110 +/100 - +/130	4	8/16
GW62 118		3P + N + $\perp$		4	8/16
GW62 119		2P + $\perp$		6	8/16
GW62 120	32	3P + $\perp$	220 +/200 - +/250	9	8/16
GW62 121		3P + N + $\perp$		9	8/16
GW62 122		2P + $\perp$		9	8/16
GW62 123	32	3P + $\perp$	380 +/380 - +/415	6	8/16
GW62 124		3P + N + $\perp$		6	8/16
GW62 125		3P + $\perp$		7	8/16
GW62 126	32	3P + N + $\perp$	500 +/480 - +/500	7	8/16
GW62 127		3P + $\perp$		3	8/16

### EXTERNAL DIAMETER OF CABLES FOR IEC 309 PLUGS AND SOCKETS

Nominal current In (A)	No. Poles	Diameters required by the IEC 309 standard		Diameters admitted by the GEWISS IEC 309 Range	
		Min. (mm)	Max. (mm)	Min. (mm)	Max. (mm)
16	2P+ $\perp$	8.1	13	8	13.2
	3P+ $\perp$	8.8	14	8.5	14.3
	3P+N+ $\perp$	10	15.3	10	15.6
32	2P+ $\perp$	11.5	17.3	11	19.6
	3P+ $\perp$	12.5	19.3	12	19.6
	3P+N+ $\perp$	14	21.3	14	21.6
63	2P+ $\perp$	17.3	26	17	37
	3P+ $\perp$	19.3	28.5	19	37
	3P+N+ $\perp$	21.3	31.3	21	37
125	3P+ $\perp$	28.5	43.3	28	49
	3P+N+ $\perp$	31.3	in preparation	31	49



# IEC 309 RANGE SOCKET-OUTLETS TO IEC 309 STANDARDS

Flush-mounting appliance outlet angled at 10°

## IP 44



Great application versatility with the GEWISS 75x85 mm system



## 62 IEC 309 RANGE

Low voltage flush-mounting 10° angled appliance inlets  
50/60Hz - IP 44

Gewiss code	Nominal current In (A)	No. poles	Nominal voltage Un (V)	Reference h	Pack/ Carton Qty.
GW 62 201	16 Cover 85 x 75 mm	2P + $\perp$	110 ↗/100 - ↘/130	4	10/ 40
GW 62 202		3P + $\perp$		4	10/ 20
GW 62 203		3P + N + $\perp$	4	10/ 20	
GW 62 204 *		2P + $\perp$	220 ↗/200 - ↘/250	6	10/100
GW 62 205		2P + $\perp$		6	10/100
GW 62 206		3P + $\perp$	380 ↗/380 - ↘/415	9	10/ 40
GW 62 207		3P + N + $\perp$		9	10/ 20
GW 62 208		2P + $\perp$	500 ↗/480 - ↘/500	9	10/ 20
GW 62 209		3P + $\perp$		6	10/100
GW 62 210		3P + N + $\perp$	110 ↗/100 - ↘/130	6	10/ 40
GW 62 211		3P + $\perp$		7	10/ 20
GW 62 212		3P + N + $\perp$	220 ↗/200 - ↘/250	7	10/ 20
GW 62 213	2P + $\perp$	4		8/ 16	
GW 62 214	32 Cover 95 x 80 mm	3P + $\perp$	110 ↗/100 - ↘/130	4	8/ 16
GW 62 215		3P + N + $\perp$		4	8/ 16
GW 62 216		2P + $\perp$	220 ↗/200 - ↘/250	6	8/ 32
GW 62 217		3P + $\perp$		9	8/ 16
GW 62 218		3P + N + $\perp$	380 ↗/380 - ↘/415	9	8/ 16
GW 62 219		2P + $\perp$		9	8/ 16
GW 62 220		3P + $\perp$	500 ↗/480 - ↘/500	6	8/ 32
GW 62 221		3P + N + $\perp$		6	8/ 32
GW 62 222		3P + $\perp$	110 ↗/100 - ↘/130	7	8/ 16
GW 62 223		3P + N + $\perp$		7	8/ 16

\* APPLICATIONS: GW 62 204, small cover (62 x 62 mm) for OEM installations in confined spaces.

## IP 67



## 62 IEC 309 RANGE

Low voltage watertight flush-mounting 10° angled appliance inlets  
50/60Hz - IP 67

Gewiss code	Nominal current In (A)	No. poles	Nominal voltage Un (V)	Reference h	Pack/ Carton Qty.
GW 62 224	16 Cover 85 x 75 mm	2P + $\perp$	110 ↗/100 - ↘/130	4	10/20
GW 62 225		3P + $\perp$		4	10/20
GW 62 226		3P + N + $\perp$	4	10/20	
GW 62 227		2P + $\perp$	220 ↗/200 - ↘/250	6	10/40
GW 62 228		3P + $\perp$		9	10/20
GW 62 229		3P + N + $\perp$	380 ↗/380 - ↘/415	9	10/20
GW 62 230		2P + $\perp$		9	10/20
GW 62 231		3P + $\perp$	500 ↗/480 - ↘/500	6	10/40
GW 62 232		3P + N + $\perp$		6	10/40
GW 62 233		3P + $\perp$	110 ↗/100 - ↘/130	7	10/20
GW 62 234		3P + N + $\perp$		7	10/20
GW 62 235		32 Cover 95 x 80 mm	2P + $\perp$	110 ↗/100 - ↘/130	4
GW 62 236	3P + $\perp$		4		8/16
GW 62 237	3P + N + $\perp$		4	8/16	
GW 62 238	2P + $\perp$		220 ↗/200 - ↘/250	6	8/16
GW 62 239	3P + $\perp$			9	8/16
GW 62 240	3P + N + $\perp$		380 ↗/380 - ↘/415	9	8/16
GW 62 241	2P + $\perp$			9	8/16
GW 62 242	3P + $\perp$		500 ↗/480 - ↘/500	6	8/16
GW 62 243	3P + N + $\perp$			6	8/16
GW 62 244	3P + $\perp$		110 ↗/100 - ↘/130	7	8/16
GW 62 245	3P + N + $\perp$			7	8/16
GW 62 283	3P + $\perp$		380 / 440	3	8/16

Selection guide: pages 116-117

Corresponding plugs angled at 90°: pages 120-121

Technical sheets: pages 272-273

Dimensions: pages 274-277

Complementary system items: page 114

Characteristics and advantages: page 115

**IP 67**

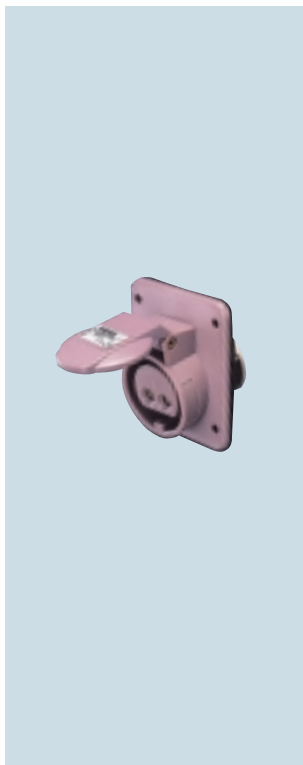


**62/63 IEC 309 RANGE**

Low voltage watertight flush-mounting 10° angled appliance socket  
50/60Hz - IP 67

Gewiss code	Nominal current In (A)	No. poles	Nominal voltage Un (V)	Reference h	Pack/ Carton Qty.
GW63 246	63 Cover 110 x 100 mm	2P + $\text{⏚}$	110 +/100 - +/130	4	2/4
GW63 247		3P + $\text{⏚}$		4	2/4
GW63 248		3P + N + $\text{⏚}$	4	2/4	
GW63 249		2P + $\text{⏚}$	6	2/4	
GW63 250		3P + $\text{⏚}$	220 +/200 - +/250	9	2/4
GW63 251		3P + N + $\text{⏚}$	9	2/4	
GW63 252		2P + $\text{⏚}$	380 +/380 - +/415	9	2/4
GW63 253		3P + $\text{⏚}$		6	2/4
GW63 254		3P + N + $\text{⏚}$	6	2/4	
GW63 255	3P + $\text{⏚}$	500 +/480 - +/500	7	2/4	
GW63 256	3P + N + $\text{⏚}$		7	2/4	
GW62 257	125 Cover 114 x 114 mm	3P + $\text{⏚}$	110 +/100 - +/130	4	1/2
GW62 258		3P + N + $\text{⏚}$		4	1/2
GW62 259		3P + $\text{⏚}$	220 +/200 - +/250	9	1/2
GW62 260		3P + N + $\text{⏚}$		9	1/2
GW62 261		3P + $\text{⏚}$	380 +/380 - +/415	6	1/2
GW62 262		3P + N + $\text{⏚}$		6	1/2
GW62 263		3P + $\text{⏚}$	500 +/480 - +/500	7	1/2
GW62 264		3P + N + $\text{⏚}$		7	1/2

**IP 44**



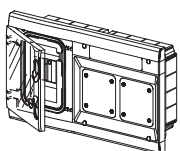
**62 IEC 309 RANGE**

Extra-low voltage flush-mounting 10° angled appliance socket  
IP 44

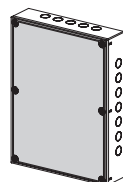
Gewiss code	Nominal current In (A)	Frequency (Hz)	No. poles	Nominal voltage Un (V)	Reference h	Pack/ Carton Qty.
GW62 265	16 Cover 85 x 75 mm	50 / 60	2P	24 (20 - 25)	s.r.	10/40
GW62 266		50 / 60	3P		s.r.	10/20
GW62 267		50 / 60	2P	42 (40 - 50)	12	10/20
GW62 268		50 / 60	3P		12	10/20
GW62 269		100 - 200	2P	24 (20 - 25)	4	10/20
GW62 270		100 - 200	3P		4	10/20
GW62 271		401 - 500	2P	42 (40 - 50)	11	10/20
GW62 272		401 - 500	3P		11	10/20
GW62 273			cc	2P	(20 - 25) (40 - 50)	10
GW62 274	32 Cover 85 x 75 mm	50 / 60	2P	24 (20 - 25)	s.r.	10/20
GW62 275		50 / 60	3P		s.r.	10/20
GW62 276		50 / 60	2P	42 (40 - 50)	12	10/20
GW62 277		50 / 60	3P		12	10/20
GW62 278		100 - 200	2P	24 (20 - 25)	4	10/20
GW62 279		100 - 200	3P		4	10/20
GW62 280		401 - 500	2P	42 (40 - 50)	11	10/20
GW62 281		401 - 500	3P		11	10/20
GW62 282			cc	2P	(20 - 25) (40 - 50)	10

s.r. = without reference

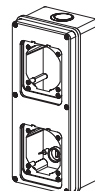
**INSTALLATION POSSIBILITIES**



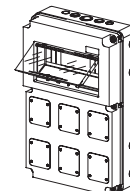
On PTC



On TV



On back-mounting boxes  
with flanged lid



On Q-DIN

# IEC 309 RANGE SOCKET-OUTLETS TO IEC 309 STANDARDS

Wall-mounting appliance socket angled at 10°

## IP 44



### 62 IEC 309 RANGE

Low voltage wall-mounting 10° angled appliance socket  
50/60Hz - IP 44

Gewiss code	Nominal current In (A)	No. poles	Nominal voltage Un (V)	Ref. h	Entry with stepped gland (supplied)	Pack/ Carton Qty.
GW 62 401	16	2P + ⚬	110 ↗/100 - ↘/130	4	Ø 29 mm	10/40
GW 62 402		3P + ⚬		4		10/20
GW 62 403		3P + N + ⚬	4	10/20		
GW 62 404		2P + ⚬	220 ↗/200 - ↘/250	6		10/40
GW 62 405		3P + ⚬		9		10/20
GW 62 406		3P + N + ⚬	9	10/20		
GW 62 407		2P + ⚬	380 ↗/380 - ↘/415	9		10/20
GW 62 408		3P + ⚬		6		10/40
GW 62 409		3P + N + ⚬	6	10/40		
GW 62 410		3P + ⚬	500 ↗/480 - ↘/500	7		10/20
GW 62 411	3P + N + ⚬	7		10/20		
GW 62 412	32	2P + ⚬	110 ↗/100 - ↘/130	4	Ø 29 mm	8/16
GW 62 413		3P + ⚬		4		8/16
GW 62 414		3P + N + ⚬	4	8/16		
GW 62 415		2P + ⚬	220 ↗/200 - ↘/250	6		8/16
GW 62 416		3P + ⚬		9		8/16
GW 62 417		3P + N + ⚬	9	8/16		
GW 62 418		2P + ⚬	380 ↗/380 - ↘/415	9		8/16
GW 62 419		3P + ⚬		6		8/16
GW 62 420		3P + N + ⚬	6	8/16		
GW 62 421		3P + ⚬	500 ↗/480 - ↘/500	7		8/16
GW 62 422	3P + N + ⚬	7		8/16		

## IP 67



### 62 IEC 309 RANGE

Low voltage watertight wall-mounting 10° angled appliance socket  
50/60Hz - IP 67

Gewiss code	Nominal current In (A)	No. poles	Nominal voltage Un (V)	Ref. h	Entry with cable gland (supplied)	Pack/ Carton Qty.
GW 62 423	16	2P + ⚬	110 ↗/100 - ↘/130	4	Pg 21	10/20
GW 62 424		3P + ⚬		4		10/20
GW 62 425		3P + N + ⚬	4	10/20		
GW 62 426		2P + ⚬	220 ↗/200 - ↘/250	6		10/40
GW 62 427		3P + ⚬		9		10/20
GW 62 428		3P + N + ⚬	9	10/20		
GW 62 429		2P + ⚬	380 ↗/380 - ↘/415	9		10/20
GW 62 430		3P + ⚬		6		10/40
GW 62 431		3P + N + ⚬	6	10/40		
GW 62 432		3P + ⚬	500 ↗/480 - ↘/500	7		10/20
GW 62 433	3P + N + ⚬	7		10/20		
GW 62 434	32	2P + ⚬	110 ↗/100 - ↘/130	4	Pg 21	8/16
GW 62 435		3P + ⚬		4		8/16
GW 62 436		3P + N + ⚬	4	8/16		
GW 62 437		2P + ⚬	220 ↗/200 - ↘/250	6		8/16
GW 62 438		3P + ⚬		9		8/16
GW 62 439		3P + N + ⚬	9	8/16		
GW 62 440		2P + ⚬	380 ↗/380 - ↘/415	9		8/16
GW 62 441		3P + ⚬		6		8/16
GW 62 442		3P + N + ⚬	6	8/16		
GW 62 443		3P + ⚬	500 ↗/480 - ↘/500	7		8/16
GW 62 444	3P + N + ⚬	7		8/16		
GW 62 556		3P + ⚬	380 / 440	3		8/16

Selection guide: pages 116-117

Corresponding plugs angled at 90°: pages 120-121

Technical sheets: pages 272-273

Dimensions: pages 274-277

Complementary system items: page 114

Characteristics and advantages: page 115

**IP 67**



**63 IEC 309 RANGE**

Low voltage watertight wall-mounting 10° angled appliance socket  
50/60Hz - IP 67

Gewiss code	Nominal current In (A)	No. poles	Nominal voltage Un (V)	Ref. h	Entry with cable gland (supplied)	Pack/ Carton Qty.
GW63 445	63	2P + $\text{⏚}$	110 +/100 - +/130	4	Pg 36	2/4
GW63 446		3P + $\text{⏚}$		4		2/4
GW63 447		3P + N + $\text{⏚}$	4	2/4		
GW63 448		2P + $\text{⏚}$	6	2/4		
GW63 449		3P + $\text{⏚}$	220 +/200 - +/250	9		2/4
GW63 450		3P + N + $\text{⏚}$	9	2/4		
GW63 451		2P + $\text{⏚}$	380 +/380 - +/415	9		2/4
GW63 452		3P + $\text{⏚}$	6	2/4		
GW63 453		3P + N + $\text{⏚}$	6	2/4		
GW63 454		3P + $\text{⏚}$	500 +/480 - +/500	7		2/4
GW63 455	3P + N + $\text{⏚}$	7	2/4			

**IP 44**



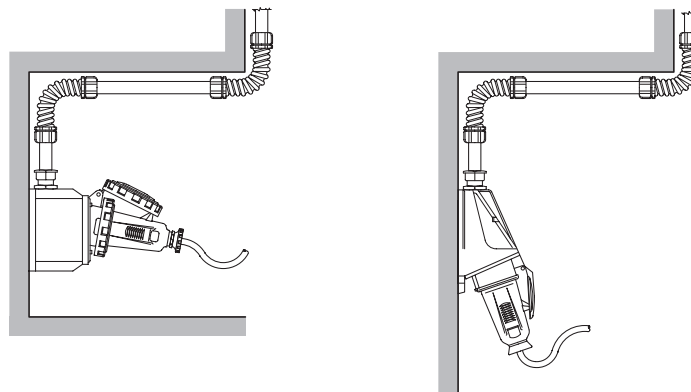
**62 IEC 309 RANGE**

Extra-low voltage wall-mounting 10° angled appliance socket  
IP 44

Gewiss code	Nominal current In (A)	Frequency (Hz)	No. poles	Nominal voltage Un (V)	Ref. h	Entry with stepped gland (supplied)	Pack/ Carton Qty.
GW62 456	16	50 / 60	2P	24 (20 - 25)	s.r.	Ø 29 mm	10/40
GW62 457		50 / 60	3P	s.r.	s.r.		10/20
GW62 458		50 / 60	2P	42 (40 - 50)	12		10/20
GW62 459		50 / 60	3P	12	10/20		
GW62 460		100 - 200	2P	24 (20 - 25)	4		10/20
GW62 461		100 - 200	3P	4	10/20		
GW62 462		401 - 500	2P	42 (40 - 50)	11		10/20
GW62 463		401 - 500	3P	11	10/20		
GW62 464		cc	2P	(20 - 25) (40 - 50)	10		10/20
GW62 465		50 / 60	2P	24 (20 - 25)	s.r.		10/20
GW62 466	50 / 60	3P	s.r.	s.r.	10/20		
GW62 467	50 / 60	2P	42 (40 - 50)	12	10/20		
GW62 468	50 / 60	3P	12	10/20			
GW62 469	32	100 - 200	2P	24 (20 - 25)	4	10/20	
GW62 470		100 - 200	3P	4	10/20		
GW62 471		401 - 500	2P	42 (40 - 50)	11	10/20	
GW62 472		401 - 500	3P	11	10/20		
GW62 473		cc	2P	(20 - 25) (40 - 50)	10	10/20	

s.r. = without reference

**APPLICATIONS**



# IEC 309 RANGE SOCKET-OUTLETS TO IEC 309 STANDARDS

Wall-mounting appliance socket angled at 90°

## IP 44



### 62 IEC 309 RANGE

Low voltage wall-mounting 90° angled appliance socket  
50/60Hz - IP 44

Gewiss code	Nominal current In (A)	No. poles	Nominal voltage Un (V)	Ref. h	Entry with stepped gland (supplied)	Pack/ Carton Qty.
GW 62 474	16	2P + ⚡	110 ↕/100 - ↕/130	4	Ø 20 mm	10/40
GW 62 475		3P + ⚡		4		10/20
GW 62 476		3P + N + ⚡	4	10/20		
GW 62 477		2P + ⚡	220 ↕/200 - ↕/250	6		10/40
GW 62 478		3P + ⚡		9		10/20
GW 62 479		3P + N + ⚡	9	10/20		
GW 62 480		2P + ⚡	380 ↕/380 - ↕/415	9		10/20
GW 62 481		3P + ⚡		6		10/40
GW 62 482		3P + N + ⚡	6	10/40		
GW 62 483		3P + ⚡	500 ↕/480 - ↕/500	7		10/20
GW 62 484	3P + N + ⚡	7		10/20		
GW 62 485	32	2P + ⚡	110 ↕/100 - ↕/130	4	Ø 23 mm	8/16
GW 62 486		3P + ⚡		4		8/16
GW 62 487		3P + N + ⚡	4	8/16		
GW 62 488		2P + ⚡	220 ↕/200 - ↕/250	6		8/16
GW 62 489		3P + ⚡		9		8/16
GW 62 490		3P + N + ⚡	9	8/16		
GW 62 491		2P + ⚡	380 ↕/380 - ↕/415	9		8/16
GW 62 492		3P + ⚡		6		8/16
GW 62 493		3P + N + ⚡	6	8/16		
GW 62 494		3P + ⚡	500 ↕/480 - ↕/500	7		8/16
GW 62 495	3P + N + ⚡	7		8/16		

## IP 67



### 62 IEC 309 RANGE

Low voltage watertight wall-mounting 90° angled appliance socket  
50/60Hz - IP 67

Gewiss code	Nominal current In (A)	No. poles	Nominal voltage Un (V)	Ref. h	Entry with cable gland (supplied)	Pack/ Carton Qty.		
GW 62 496	16	2P + ⚡	110 ↕/100 - ↕/130	4	Pg 21	10/20		
GW 62 497		3P + ⚡		4		10/20		
GW 62 498		3P + N + ⚡	4	10/20				
GW 62 499	32	2P + ⚡	220 ↕/200 - ↕/250	6	Pg 21	10/40		
GW 62 501		3P + ⚡		9		10/20		
GW 62 502		3P + N + ⚡	9	10/20				
GW 62 503		2P + ⚡	380 ↕/380 - ↕/415	9		10/20		
GW 62 504		3P + ⚡		6		10/40		
GW 62 505		3P + N + ⚡	6	10/40				
GW 62 506		3P + ⚡	500 ↕/480 - ↕/500	7		10/20		
GW 62 507		3P + N + ⚡		7		10/20		
GW 62 508		32	2P + ⚡	110 ↕/100 - ↕/130		4	Pg 21	8/16
GW 62 509			3P + ⚡			4		8/16
GW 62 510	3P + N + ⚡		4	8/16				
GW 62 511	2P + ⚡		220 ↕/200 - ↕/250	6	8/16			
GW 62 512	3P + ⚡			9	8/16			
GW 62 513	3P + N + ⚡		9	8/16				
GW 62 514	2P + ⚡		380 ↕/380 - ↕/415	9	8/16			
GW 62 515	3P + ⚡			6	8/16			
GW 62 516	3P + N + ⚡		6	8/16				
GW 62 517	3P + ⚡		500 ↕/480 - ↕/500	7	8/16			
GW 62 518	3P + N + ⚡	7		8/16				
GW 62 557	3P + ⚡	380 / 440	3	8/16				

Selection guide: pages 116-117

Corresponding straight plugs: pages 118-119

Technical sheets: pages 272-273

Dimensions: pages 274-277

Complementary system items: page 114

Characteristics and advantages: page 115

**IP 67**



**62/63 IEC 309 RANGE**

Low voltage watertight wall-mounting 90° angled appliance socket  
50/60Hz - IP 67

Gewiss code	Nominal current In (A)	No. poles	Nominal voltage Un (V)	Ref. h	Entry with cable gland (supplied)	Pack/ Carton Qty.
GW63 519	63	2P + $\perp$	110 +/100 - +/130	4	Pg 36	2/4
GW63 520		3P + $\perp$		4		2/4
GW63 521		3P + N + $\perp$	4	2/4		
GW63 522		2P + $\perp$	6	2/4		
GW63 523		3P + $\perp$	220 +/200 - +/250	9		2/4
GW63 524		3P + N + $\perp$	9	2/4		
GW63 525		2P + $\perp$	380 +/380 - +/415	9		2/4
GW63 526		3P + $\perp$	6	2/4		
GW63 527		3P + N + $\perp$	6	2/4		
GW63 528	125	3P + $\perp$	500 +/480 - +/500	7	Pg 48	2/4
GW63 529		3P + N + $\perp$		7		2/4
GW62 530		3P + $\perp$	110 +/100 - +/130	4		1/2
GW62 531		3P + N + $\perp$		4		1/2
GW62 532		3P + $\perp$	220 +/200 - +/250	9		1/2
GW62 533		3P + N + $\perp$	9	1/2		
GW62 534		3P + $\perp$	380 +/380 - +/415	6		1/2
GW62 535		3P + N + $\perp$	6	1/2		
GW62 536		3P + $\perp$	500 +/480 - +/500	7		1/2
GW62 537	3P + N + $\perp$	7	1/2			

**IP 44**



**62 IEC 309 RANGE**

Extra-low voltage wall-mounting 90° angled appliance socket  
IP 44

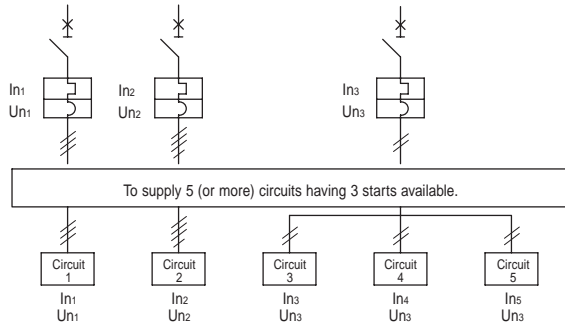
Gewiss code	Nominal current In (A)	No. poles	Nominal voltage Un (V)	Ref. h	Entry with stepped gland (supplied)	Pack/ Carton Qty.		
GW62 538	16	50 / 60 2P	24 (20 - 25)	s.r.	Ø 23 mm	10/40		
GW62 539		50 / 60 3P	s.r.	10/20				
GW62 540		50 / 60 2P	42 (40 - 50)	12		10/20		
GW62 541		50 / 60 3P	12	10/20				
GW62 542		100 - 200 2P	24 (20 - 25)	4		10/20		
GW62 543		100 - 200 3P	4	10/20				
GW62 544		401 - 500 2P	42 (40 - 50)	11		10/20		
GW62 545		401 - 500 3P	11	10/20				
GW62 546		cc	2P	(20 - 25) (40 - 50)		10	10/20	
GW62 547		32	50 / 60 2P	24 (20 - 25)		s.r.	Ø 23 mm	10/20
GW62 548			50 / 60 3P	s.r.		10/20		
GW62 549			50 / 60 2P	42 (40 - 50)		12		10/20
GW62 550	50 / 60 3P		12	10/20				
GW62 551	100 - 200 2P		24 (20 - 25)	4	10/20			
GW62 552	100 - 200 3P		4	10/20				
GW62 553	401 - 500 2P		42 (40 - 50)	11	10/20			
GW62 554	401 - 500 3P		11	10/20				
GW62 555	cc		2P	(20 - 25) (40 - 50)	10	10/20		

s.r. = without references

# IEC 309 RANGE SOCKET-OUTLETS TO IEC 309 STANDARDS

## Multiple-outlet sockets

Requirement: To supply greater no. of users than no. of socket-outlets available



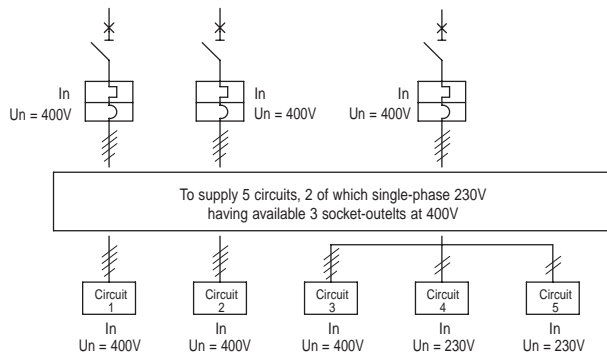
Solution

INPUT				MULTIPLE-OUTLET SOCKET-OUTLETS			
	Nominal current In (A)	Nominal voltage Un (V)	No. poles	Ref. h	two 16A	three 16A	three 32A
					WITHOUT CABLE	16	110
220	6	GW 64 010					
110	3P+⊕	4		GW 64 022			
220		6		GW 64 024			
110	3P+N+⊕	4	GW 64 009				
220		6	GW 64 011				
380	3P+⊕	9	GW 64 013				
110		4		GW 64 023			
220	3P+N+⊕	9		GW 64 025			
380		6		GW 64 027			
220	3P+N+⊕	9	GW 64 012				
380		6	GW 64 014				
220	3P+⊕	9		GW 64 026			
380		6		GW 64 028			
32	380	3P+⊕	6				

INPUT				MULTIPLE-OUTLET SOCKET-OUTLETS			
	Nominal current In (A)	Nominal voltage Un (V)	No. poles	Ref. h	two 16A	three 16A	three 32A
					WITH CABLE	16	110
220	6		GW 64 052				
110	3P+⊕	4		GW 64 051			
220		9		GW 64 053			
380	3P+N+⊕	6		GW 64 055			
220		9		GW 64 054			
380	6		GW 64 056				

## Multiple-outlet sockets

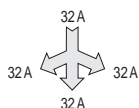
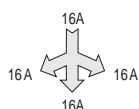
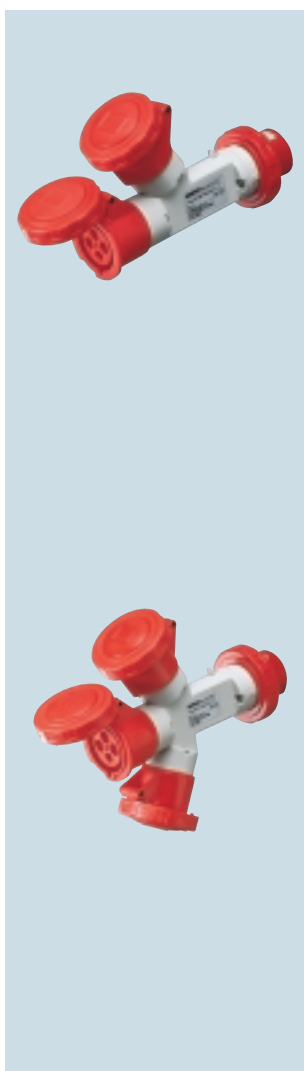
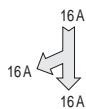
Requirement: To supply a greater no. of circuits than the no. of socket-outlets with different polarity and different voltage



Solution

INPUT				OUTPUT									Code
Nominal current In (A)	Nominal voltage Un (V~)	No. poles	Ref. h	N. 1			N. 2			N. 3			
				2P+⊕ 220 V~	3P+⊕ 380 V~	3P+N+⊕ 380 V~	2P+⊕ 220 V~	3P+⊕ 380 V~	3P+N+⊕ 380 V~	2P+⊕ 220 V~	3P+⊕ 380 V~	3P+N+⊕ 380 V~	
16	380	3P+N+⊕	6	16A			16A					16A	GW 64 059
				16A				16A				16A	GW 64 060
32	220	2P+⊕	6	16A			16A			16A			GW 64 062
				16A				16A				16A	GW 64 063
				16A			16A					32A	GW 64 064
				32A				32A				32A	GW 64 061
63	380	3P+N+⊕	6	32A			32A					63A	GW 64 065

Multiple-outlet sockets - IP 67



**64 IEC 309 RANGE**

Watertight double-outlet sockets with plug 16A - 50/60Hz - IP 67

Gewiss code	Nominal current In (A)	No. poles	Nominal voltage Un (V)	Reference h	Pack/ Carton Qty.
<b>GW64 008</b>	16	2P + $\perp$	<b>110</b>	4	5/20
<b>GW64 009</b>		3P + $\perp$	<b>+/100 - +/130</b>	4	5/10
<b>GW64 010</b>		2P + $\perp$	<b>220</b>	6	5/20
<b>GW64 011</b>		3P + $\perp$	<b>+/200 - +/250</b>	9	5/10
<b>GW64 012</b>		3P + N + $\perp$	<b>380</b>	9	5/10
<b>GW64 013</b>		3P + $\perp$	<b>+/380 - +/415</b>	6	5/20
<b>GW64 014</b>		3P + N + $\perp$		6	5/20

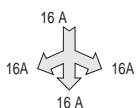
Watertight triple-outlet sockets with plug 16A - 50/60Hz - IP 67

Gewiss code	Nominal current In (A)	No. poles	Nominal voltage Un (V)	Reference h	Pack/ Carton Qty.
<b>GW64 022</b>	16	2P + $\perp$	<b>110</b>	4	5/20
<b>GW64 023</b>		3P + $\perp$	<b>+/100 - +/130</b>	4	5/10
<b>GW64 024</b>		2P + $\perp$	<b>220</b>	6	5/20
<b>GW64 025</b>		3P + $\perp$	<b>+/200 - +/250</b>	9	5/10
<b>GW64 026</b>		3P + N + $\perp$	<b>380</b>	9	5/10
<b>GW64 027</b>		3P + $\perp$	<b>+/380 - +/415</b>	6	5/20
<b>GW64 028</b>		3P + N + $\perp$		6	5/10

Watertight triple-outlet socket with plug 32A - 50/60Hz - IP 67

Gewiss code	Nominal current In (A)	No. poles	Nominal voltage Un (V)	Reference h	Pack/ Carton Qty.
<b>GW64 068</b>	32	3P + $\perp$	<b>380</b>	6	1/5
			<b>+/400 - +/415</b>		

Socket-outlets with cable and plug - IP 67



**64 IEC 309 RANGE**

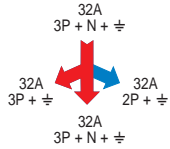
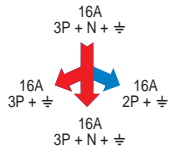
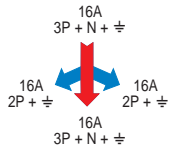
Watertight triple-outlet sockets with 2 m of flexible cable and plug 16A - 50/60Hz - IP 67

Gewiss code	Nominal current In (A)	No. poles	Nominal voltage Un (V)	Reference h	Pack/ Carton Qty.
<b>GW64 050</b>	16	2P + $\perp$	<b>110</b>	4	1/6
<b>GW64 051</b>		3P + $\perp$	<b>+/100 - +/130</b>	4	1/6
<b>GW64 052</b>		2P + $\perp$	<b>220</b>	6	1/6
<b>GW64 053</b>		3P + $\perp$	<b>+/200 - +/250</b>	9	1/6
<b>GW64 054</b>		3P + N + $\perp$	<b>380</b>	9	1/6
<b>GW64 055</b>		3P + $\perp$	<b>+/380 - +/415</b>	6	1/6
<b>GW64 056</b>		3P + N + $\perp$		6	1/6



# IEC 309 RANGE SOCKET-OUTLETS TO IEC 309 STANDARDS

## Multiple-outlet sockets - IP 67



### 64 IEC 309 RANGE

Watertight triple-outlet socket  
adaptor 16A with plug  
16A - 50/60Hz - IP 67

Gewiss code	IEC 309 plug	IEC 309 socket-outlets		Pack/ Carton Qty.
		No.	Type	
<b>GW 64 059</b>	3P + N + ⚡ - 16A 400V~ 6 h	2 - 2P + ⚡ - 16A	- 230V~ 6 h	5/10
		1 - 3P + N + ⚡ - 16A	- 400V~ 6 h	
<b>GW 64 060</b>	3P + N + ⚡ - 16A 400V~ 6 h	1 - 2P + ⚡ - 16A	- 230V~ 6 h	5/10
		1 - 3P + ⚡ - 16A	- 400V~ 6 h	
		1 - 3P + N + ⚡ - 16A	- 400V~ 6 h	

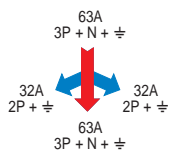
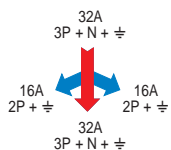
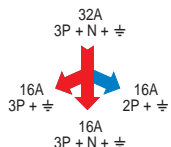
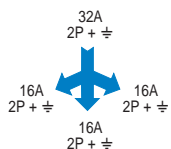
Watertight triple-outlet socket  
adaptor 32A with plug  
32A - 50/60 Hz - IP 67

Gewiss code	IEC 309 plug	IEC 309 socket-outlets		Pack/ Carton Qty.
		No.	Type	
<b>GW 64 061</b>	3P + N + ⚡ - 32A 400V~ 6 h	1 - 2P + ⚡ - 32A	- 230V~ 6 h	1/5
		1 - 3P + ⚡ - 32A	- 400V~ 6 h	
		1 - 3P + N + ⚡ - 32A	- 400V~ 6 h	

Dimensions: pages 274-277

Complementary system items: page 114

## Multiple-outlet sockets - IP 67



### 64 IEC 309 RANGE

Watertight multiple-outlet socket current adaptors 16A with plug 32A  
50/60Hz - IP 67

Gewiss code	IEC 309 plug	IEC 309 socket-outlets		Pack/ Carton Qty.
		No.	Type	
<b>GW64 062</b>	2P+⊕-32A - 230V~ 6h	3	2P + ⊕ -16A - 230V~ 6 h	<b>5/10</b>
		1	2P + ⊕ -16A - 230V~ 6 h	
<b>GW64 063</b>	3P+N+⊕-32A - 400V~ 6h	1	3P + ⊕ -16A - 400V~ 6 h	<b>5/10</b>
		1	3P + N + ⊕ -16A - 400V~ 6 h	

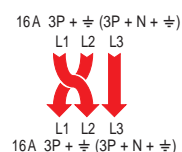
Watertight multiple-outlet socket current adaptor 16A and 32A with plug 32A  
50/60Hz - IP 67

Gewiss code	IEC 309 plug	IEC 309 socket-outlets		Pack/ Carton Qty.
		No.	Type	
<b>GW64 064</b>	3P + N + ⊕ - 32A - 400V~ 6h	2	2P + ⊕ - 16A - 230V~ 6 h	<b>1/5</b>
		1	3P + N + ⊕ - 32A - 400V~ 6 h	

Watertight multiple-outlet socket current adaptor 32A and 63A with plug 63A  
50/60Hz - IP 67

Gewiss code	IEC 309 plug	IEC 309 socket-outlets		Pack/ Carton Qty.
		No.	Type	
<b>GW64 065</b>	3P + N + ⊕ - 63A - 400V~ 6h	2	2P + ⊕ - 32A - 230V~ 6 h	<b>1/2</b>
		1	3P + N + ⊕ - 63A - 400V~ 6 h	

## Phase inverter adaptors - IP 44



### 64 IEC 309 range

Phase inverter adaptors - 16A - IP 44

Gewiss code	IEC 309 plug	IEC 309 socket-outlets		Pack/ Carton Qty.
		No.	Type	
<b>GW64 066</b>	3P + ⊕ - 16A - 400V~ 6h	3P + ⊕ - 16A	- 400V~ 6 h	<b>10/20</b>
<b>GW64 067</b>	3P + N + ⊕ - 16A - 400V~ 6h	3P + N + ⊕ - 16A	- 400V~ 6 h	<b>10/20</b>

**NOTE:** The range of multiple-outlet sockets and inverter adaptors should be considered as supplementing a system and requires correct use:

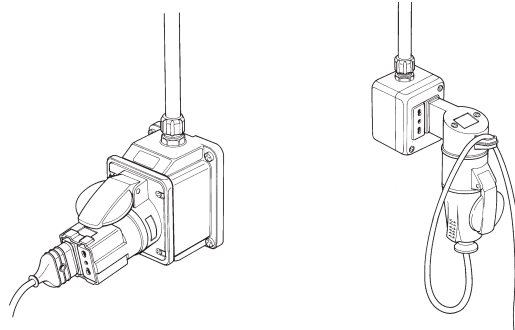
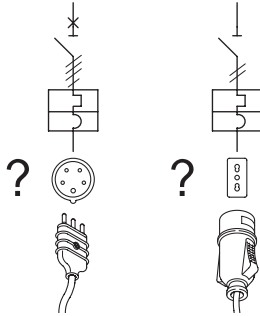
- suitable only for portable and temporary installations and connections, for fixed and permanent installations make an appropriate electrical system;
- not suitable in places with a fire hazard

# IEC 309 RANGE SOCKET-OUTLETS TO IEC 309 STANDARDS

## Conversion adaptors

**Requirement:** To supply services equipped with domestic socket starting from an industrial socket and vice versa

**Example:**



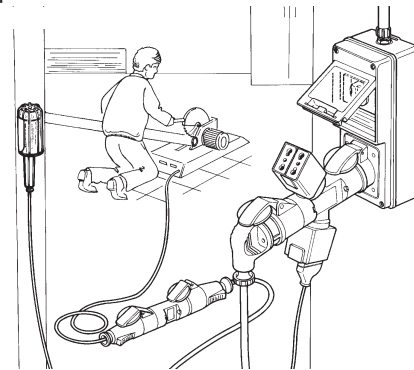
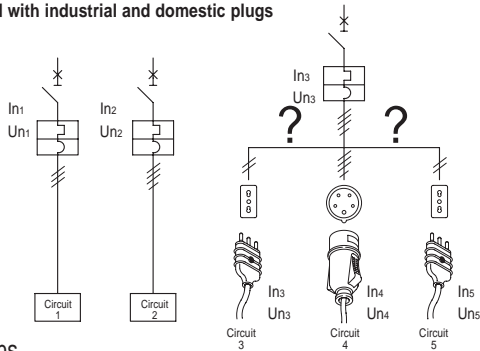
### Solution

INPUT				DOMESTIC SOCKET-OUTLET					INDUSTRIAL SOCKET-OUTLET
Nominal current In (A)	Nominal voltage Un (V~)	No. poles	Ref. h	2 socket-outlets 2P+± 16A dual amperage (P17/P11)	1 socket-outlet 2P+± 16A dual amperage (P30/P17)	1 socket-outlet 2P+± 10/16A German std.	1 socket-outlet 2P+± 16A French std.	1 socket-outlet 2P+± 13A British std.	2P+± 16A 220V 6h
IEC 309 industrial plug	16	220	2P+±	6	GW 64 211				2P+± 16A 220V 6h
						GW 64 212			
							GW 64 210		
					GW 64 203				
						GW 64 204			
		GW 64 206 fitted for other combinations							
Domestic plug	16	380	3P+ N +±	6	GW 64 216				GW 64 208
						GW 64 217			GW 64 209
					GW 64 207 fitted for other combinations				
		2P +± 16A 250V S17							GW 64 208
		2P +± 16A 250V German/French std.							GW 64 209

## Multiple-outlet sockets

**Requirement:** To supply a greater no. of services than the number of sockets available with the need at the same time to connect services equipped with industrial and domestic plugs

**Example:**



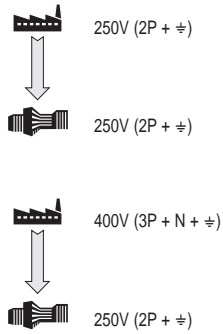
### Solutions

INPUT				OUTPUT				Code
Nominal current In (A)	Nominal voltage Un (V~)	No. poles	Ref. h	Industrial	Domestic			
				IEC 309	2 socket-outlets 2P+± 16A dual amperage (P17/P11)	1 socket-outlet 2P+± 16A dual amperage (P30 P17)	2 socket-outlets 2P+± 16A dual amp. (P17/P11) 1 socket-outlet 2P+± 16A dual amp. (P30 P17)	
IEC 309 industrial plug	16	220	2P+±	6	•	•		GW 64 221
					•		•	GW 64 222
					•	Fitted for 2 SYSTEM modules		GW 64 223
		•			•	GW 64 231		
		•	Fitted for 2+2 SYSTEM modules			GW 64 232		
		•		•		GW 64 226		
Cable with IEC 309 plug	16	380	3P+ N +±	6	•			GW 64 227
					•		•	GW 64 228
					•	Fitted for 2 SYSTEM modules		GW 64 236
		•			•	GW 64 237		
		•	Fitted for 2+2 SYSTEM modules			GW 64 235		
		•						
Cable with plug 2P +± 16A-S17	16	220	2P +± S17		2P +± 16A - 220V 6h		•	GW 64 263
					Fitted for cable and plug	2P +± 16A - 220V~ 6h	Fitted for 2+2 SYSTEM modules	

## Conversion adaptors - IP 40

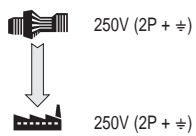
### From industrial to domestic

• **Wired**



• **Fitted**

### From domestic to industrial



### 64 IC RANGE

Conversion adaptors:  
IEC 309 plug / Socket-outlets for domestic use  
50/60Hz

Gewiss code	IEC 309 plug (IP 44)	Domestic sockets 250V~		Pack/ Carton Qty.
		No.	Type	
<b>GW 64 211</b>	2P + ⚡ - 16A 230V~ 6 h	2 - 2P + ⚡ - 16A	Dual amperage (P17/11)	10/40
<b>GW 64 212</b>		1 - 2P + ⚡ - 16A	Dual amp.* (P30 - P17)	10/40
<b>GW 64 210</b>		1 - 2P + ⚡ - 10/16A	German**	10/40
<b>GW 64 203</b>		1 - 2P + ⚡ - 16A	French	10/40
<b>GW 64 204</b>		1 - 2P + ⚡ - 13A	British	10/40
<b>GW 64 216</b>	3P + N + ⚡ - 16A	2 - 2P + ⚡ - 16A	Dual amperage (P17/11)	10/40
<b>GW 64 217</b>	400V~ 6 h	1 - 2P + ⚡ - 16A	Dual amp.* (P30 - P17)	10/40

\* With side and central earth contact.

\*\* With side earth contact.

**CHARACTERISTICS:** GW 64 211 and GW 64 216, domestic sockets with plug pins Ø 4 / 5 mm.

GW 64 212 and GW 64 217, domestic sockets with plug pins Ø 4 / 4.8 / 5 mm.

Fitted conversion adaptors:  
IEC 309 plug / Fitting for 2 SYSTEM modules  
50/60Hz

Gewiss code	IEC 309 plug (IP 44)	For housing No. SYSTEM modules	Pack/ Carton Qty.
<b>GW 64 207</b>	3P + N + ⚡ - 16A - 400V~ 6h	2	10/40

**ACCESSORIES SUPPLIED:** Wiring cables.

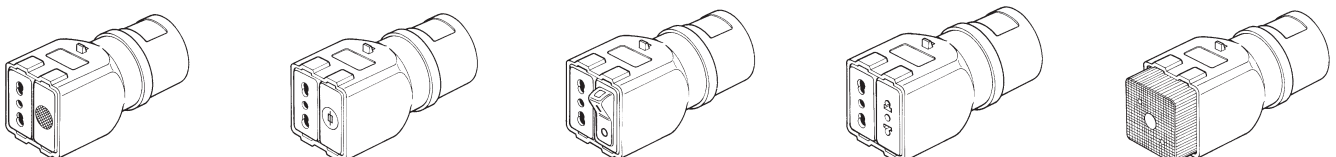
### 64 CI RANGE

Conversion adaptors:  
Plug for domestic use / IEC 309 socket-outlet  
50/60Hz

Gewiss code	Domestic plug	IEC 309 socket-outlet (IP 44)	Pack/ Carton Qty.
<b>GW 64 208</b>	2P + ⚡ - 16A - 250V~ S17	2P + ⚡ - 16A 230V~ 6h	10/40
<b>GW 64 209</b>	2P + ⚡ - 16A - 250V~ German/French*		10/40

\* With double earth contact (standard German side contact and standard French median contact).

### EXAMPLES OF COMBINATIONS



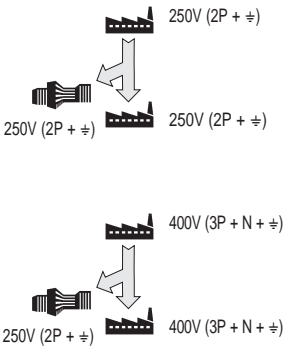
For the SYSTEM modular devices see the EURODOMO Catalogue.

# IEC 309 RANGE SOCKET-OUTLETS TO IEC 309 STANDARDS

## Conversion adaptor shunts with plug - IP 40

### 1 branched outlet

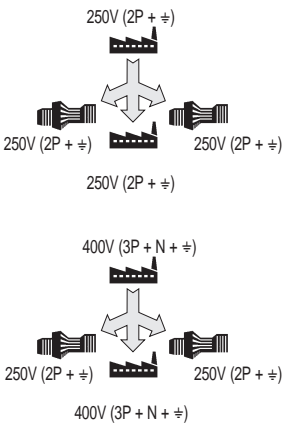
#### • Wired



#### • Fitted

### 2 branched outlets

#### • Wired



#### • Fitted

### 64 IC RANGE

Conversion adaptor shunts with plug with 1 shunted socket-outlet:  
IEC 309 plug / Domestic sockets /  
IEC 309 socket-outlet - 50/60Hz

Gewiss code	IEC 309 plug (IP 44)	Domestic sockets 250V~		IEC 309 socket-outlet (IP 44)	Pack/ Carton Qty.
		No.	Type		
GW 64 221	2P + ⚡ - 16A 230V~ 6 h	2 -	2P + ⚡ - 16A Dual amperage (P 17/11)	2P + ⚡ - 16A 230V~ 6 h	5/20
		1 -	2P + ⚡ - 16A Dual amp.* (P 30 - P 17)		
GW 64 226	3P + N + ⚡ - 16A 400V~ 6 h	2 -	2P + ⚡ - 16A Dual amperage (P 17/11)	3P + N + ⚡ - 16A 400V~ 6 h	5/20
		1 -	2P + ⚡ - 16A Dual amp.* (P 30 - P 17)		

\* With side and central earth.

CHARACTERISTICS: GW 64 221 and GW 64 226, domestic sockets with plug pins Ø 4 / 5 mm.  
GW 64 222 and GW 64 217, domestic sockets with plug pins Ø 4 / 4.8 / 5 mm.

Fitted conversion adaptor shunts with plug:  
IEC 309 plug / Provision for 2 SYSTEM modules /  
IEC 309 socket-outlet - 50/60Hz

Gewiss code	IEC 309 plug (IP 44)	For housing No. SYSTEM modules	IEC 309 socket-outlet (IP 44)		Pack/ Carton Qty.
			No.	Type	
GW 64 223	2P + ⚡ - 16A - 230V~ 6h	2	2	2P + ⚡ - 16A - 230V~ 6h	5/20
GW 64 228	3P + N + ⚡ - 16A - 400V~ 6h		2	3P + N + ⚡ - 16A - 400V~ 6h	5/20

ACCESSORIES SUPPLIED: Wiring cables.

Conversion adaptor shunts with plug with 2 shunted socket-outlets:  
IEC 309 plug / Domestic sockets /  
IEC 309 socket-outlet - 50/60Hz

Gewiss code	IEC 309 plug (IP 44)	Domestic sockets 250V~		IEC 309 socket-outlet (IP 44)	Pack/ Carton Qty.
		No.	Type		
GW 64 231	2P + ⚡ - 16A 230V~ 6 h	2 -	2P + ⚡ - 16A Dual amperage* (P 17/11)	2P + ⚡ - 16A 230V~ 6 h	5/20
		1 -	2P + ⚡ - 16A Dual amp.** (P 30 - P 17)		
GW 64 236	3P + N + ⚡ - 16A 400V~ 6 h	2 -	2P + ⚡ - 16A Dual amperage* (P 17/11)	3P + N + ⚡ - 16A 400V~ 6 h	5/20
		1 -	2P + ⚡ - 16A Dual amp.** (P 30 - P 17)		

\* With plug pins Ø 4 / 5 mm.

\*\* With side and central earth and plug pins Ø 4 / 4.8 / 5 mm.

Fitted conversion adaptor shunts with plug:  
IEC 309 plug / Provision for 2+2 SYSTEM modules /  
IEC 309 socket-outlet - 50/60Hz

Gewiss code	IEC 309 plug (IP 44)	For housing No. SYSTEM modules	IEC 309 socket-outlet (IP 44)		Pack/ Carton Qty.
			No.	Type	
GW 64 232	2P + ⚡ - 16A - 230V~ 6h	2+2	2	2P + ⚡ - 16A - 230V~ 6h	5/20
GW 64 237	3P + N + ⚡ - 16A - 400V~ 6h		2	3P + N + ⚡ - 16A - 400V~ 6h	5/20

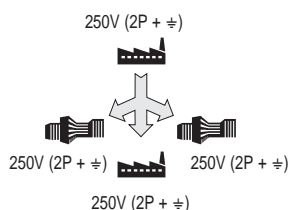
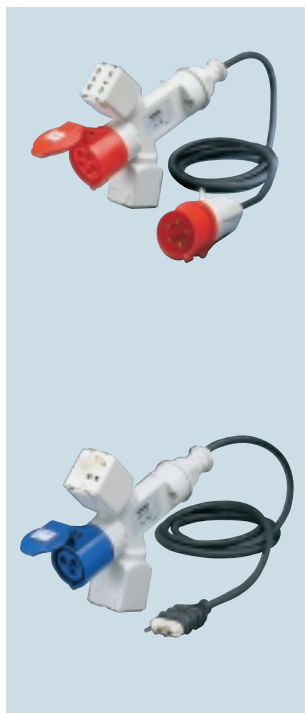
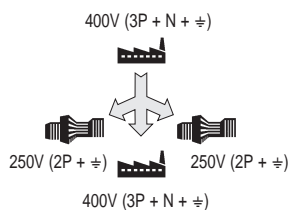
ACCESSORIES SUPPLIED: Wiring cables.

Dimensions: pages 274-277  
Complementary system items: page 114

## Conversion adaptor shunts with cable and plug

### 2 branched outlets

#### • Wired



### 64 IC RANGE

Conversion adaptor shunt with 2 m of flexible cable:  
IEC 309 plug / Domestic sockets /  
IEC 309 socket-outlet - 50/60Hz

Gewiss code	IEC 309 plug (IP 44)	Domestic sockets 250V~		IEC 309 socket-outlet (IP 44)	Pack/ Carton Qty.
		No.	Type		
<b>GW 64 256</b>	3P + N + ⚡ - 16A 400V~ 6 h	2 -	2P + ⚡ - 16A Dual amp.* (P 17/11)	3P + N + ⚡ - 16A 400V~ 6 h	1/6
		1 -	2P + ⚡ - 16A Dual amp.** (P 30 - P 17)		

\* With plug pins Ø 4 / 5 mm.

\*\* With side and central earth and plug pins Ø 4 / 4.8 / 5 mm.

### 64 CI RANGE

Conversion adaptor shunt with 2 m of flexible cable:  
Plug for domestic use / Socket-outlets  
for domestic use / IEC 309 socket-outlet - 50/60Hz

Gewiss code	Domestic plug	Domestic sockets 250V~		IEC 309 socket-outlet (IP 44)	Pack/ Carton Qty.
		No.	Type		
<b>GW 64 263</b>	2P + ⚡ - 16A 250V~ S17	2 -	2P + ⚡ - 16A Dual amp.* (P 17/11)	2P + ⚡ - 16A 230V~ 6 h	1/6
		1 -	2P + ⚡ - 16A Dual amp.** (P 30 - P 17)		

\* With plug pins Ø 4 / 5 mm.

\*\* With side and central earth and plug pins Ø 4 / 4.8 / 5 mm.

## Conversion adaptor shunt fitted with cable and plug

### 2 branched outlets

#### • Fitted



### 64 RANGE

Conversion adaptor shunt fitted with cable and plug:  
Fitted for 2 + 2 SYSTEM modules /  
IEC 309 socket-outlet - 50/60Hz

Gewiss code	For housing		IEC 309 socket-outlet (IP 44)	Pack/ Carton Qty.
	No. SYSTEM modules			
<b>GW 64 265</b>	2 + 2		2P + ⚡ - 16A - 230V~ 6h	5/20

ACCESSORIES SUPPLIED: Wiring cables.

NOTE: The range of adaptors and adaptor shunts should be considered as supplementing a system and requires correct use:

- suitable only for portable and temporary installations and connections, for fixed and permanent installations make an appropriate electrical system;
- not suitable in places with a fire hazard.



**Complementary system items**

	Wall-mounting watertight installation	Flush-mounting watertight installation
<b>DISTRIBUTION / BRANCHING</b>	<ul style="list-style-type: none"> <li>● Protection devices ..... EURODIN</li> <li>● Watertight distribution boards ..... EUROBOX</li> <li>● Wall-mounting modular enclosures ..... EUROBOX</li> <li>● Wall-mounting junction boxes ..... EUROBOX</li> <li>● Accessories for conduits e cables ..... EUROBOX</li> </ul>	<ul style="list-style-type: none"> <li>● Flush-mounting PTC modular enclosures ..... EUROBOX</li> <li>● Accessories for conduits e cables ..... EUROBOX</li> </ul>
<b>TERMINAL SYSTEMS</b>	<ul style="list-style-type: none"> <li>● Q-DIN wall-mounting distribution boards ..... EUROBOX</li> <li>● Rotary switches ..... EUROBOX</li> <li>● Push-buttons, selectors and indicators ..... EUROBOX</li> <li>● Enclosures for SYSTEM MODULAR COMPONENTS ..... EURODOMO</li> <li>● Socket-outlets to IEC 309 standard ..... EUROBOX</li> </ul>	<ul style="list-style-type: none"> <li>● Q-DIN flush-mounting distribution boards ..... EUROBOX</li> <li>● Socket-outlets to IEC 309 standard ..... EUROBOX</li> </ul>
<b>SAFETY SYSTEMS</b>	<ul style="list-style-type: none"> <li>● Safety/emergency modular enclosures ..... EUROBOX</li> </ul>	<ul style="list-style-type: none"> <li>● Safety/emergency modular enclosures ..... EUROBOX</li> </ul>

Characteristics and advantages

**IP 66 protection rating**

Permits installation in places that are highly dusty, subject to energetic washing or sea-storms.

**High resistance to attack by chemicals, dirt and moisture and UV rays**

Thanks to the use of premium materials, the technical-performance and safety features of the product remain constant over time.

**High impact resistance (>IK10)**

Permits installing the product in places subject to strong accidental knocks.

**Flanged lid (flanges 85x75 mm)**

Permits making combinations with IEC 309 socket-outlets up to 32A without interlocking, push-buttons, indicators, selectors and/or domestic sockets, through the watertight cover COMBI 27.

**Transparent window**

Permits monitoring the state of service of the protection devices.

**Top compartment**

The larger internal space permits easy wiring also using components for DIN rail.

**High performance rotary control switch**

Suitable for AC 22 - AC 3 classes of use, equipped with knob fitted for locking with padlock in open and closed positions.

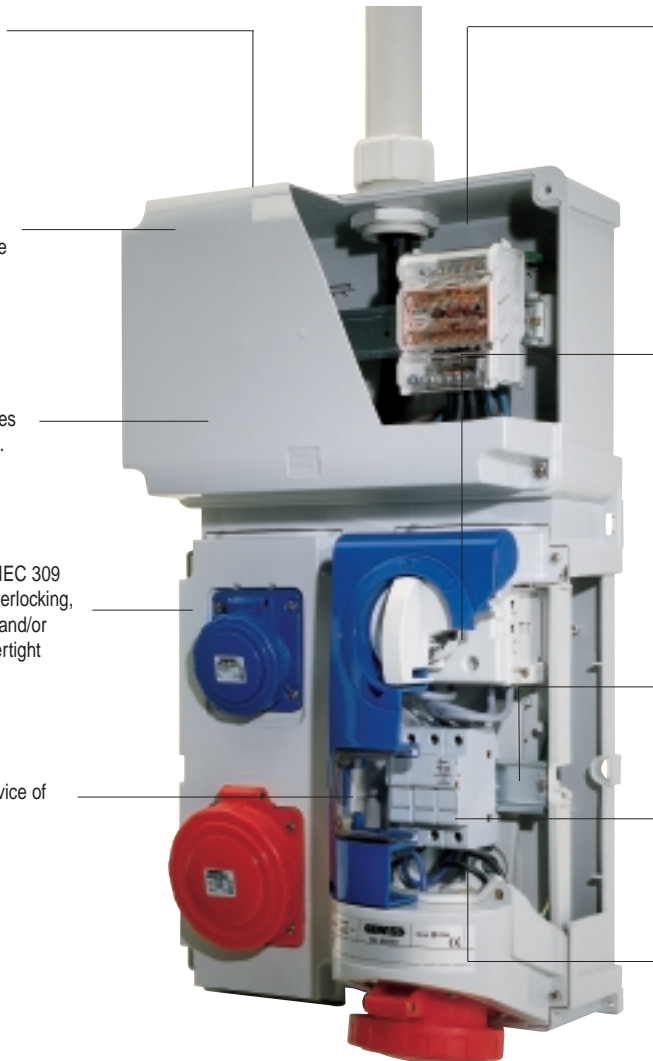
**Versions with EN 50022 rail for modular devices (UP TO 6 MODULES)**

The large space of the compartment for housing the protections makes it possible to install extremely bulky modular devices (up to 92.5 mm high for 63A versions).

**Versions fitted with disconnectable fuse-holder base**

For cylindrical fuses in conformity with CEI 32-1 / 32-4 IEC 269-1 / 269-3 standards.

**Direct wiring version with blanking window**



INSTALLATION SOLUTIONS



Commerce and Services



Industry



Heavy industry



# 66/67 IB RANGE INTERLOCKED SOCKET-OUTLETS TO IEC 309 STANDARDS

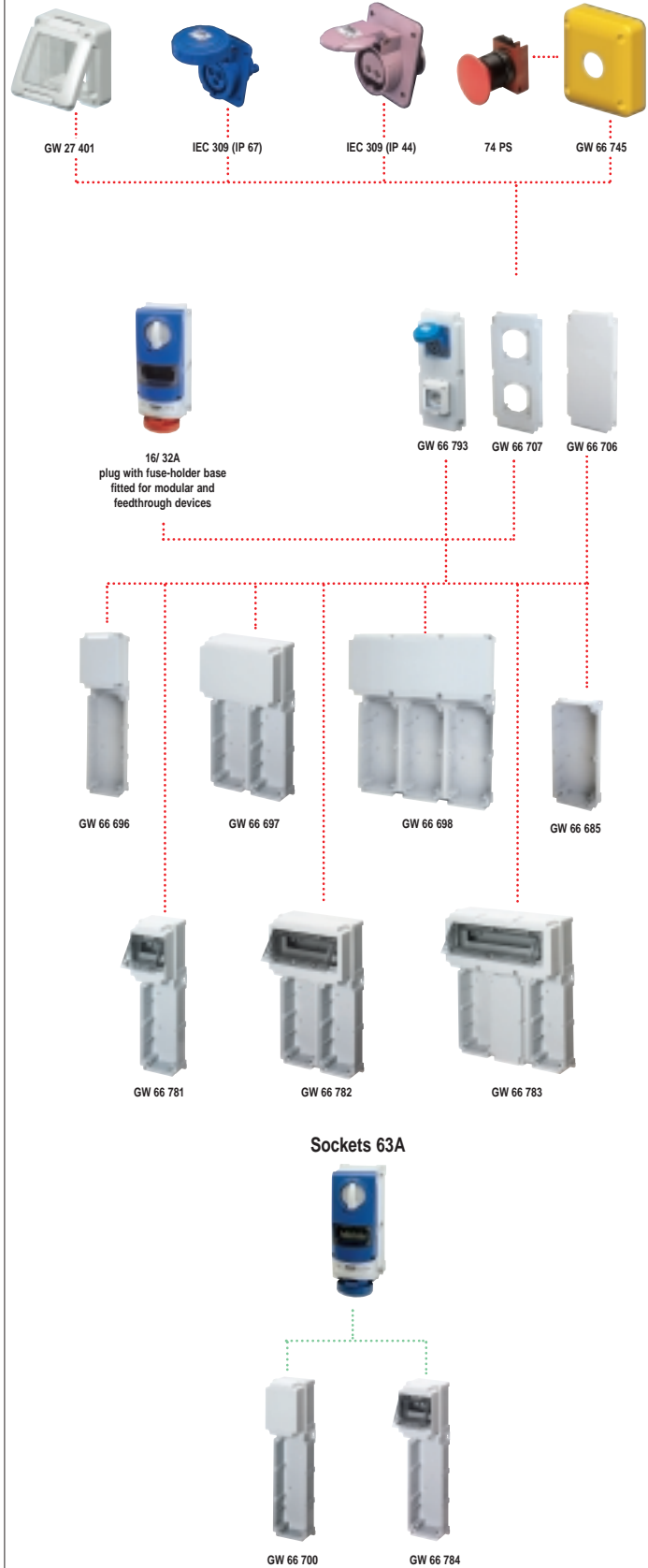
## Application guide



**66 IB RANGE: CBF vertical socket-outlets - IP 55 (SELV - IP 44 and SBF version 63A)**



**66 IB RANGE: heavy-duty socket-outlets**





Vertical interlocked socket-outlets with back IP 55	Vertical interlocked socket-outlets with fuses with no back IP 55	Vertical interlocked socket-outlets with fuses with back IP 55	Vertical interlocked socket-outlets with no back IP 66	Vertical interlocked socket-outlets with fuses with no back IP 66	Vertical interlocked socket-outlets to mount devices with no back IP 66	Vertical interlocked socket-outlets with back IP 66	Vertical interlocked socket-outlets and fuseholder base with back IP 66*	Vertical interlocked socket-outlets to mount devices with back IP 66*
	GW 66 356	GW 66 256		GW 66 885			GW 66 997	
GW 66 201	GW 66 323	GW 66 223	GW 66 535	GW 66 801	GW 66 824	GW 66 501	GW 66 951	GW 66 974
GW 66 202	GW 66 324	GW 66 224	GW 66 536	GW 66 802	GW 66 825	GW 66 502	GW 66 952	GW 66 975
GW 66 203	GW 66 325	GW 66 225	GW 66 537	GW 66 803	GW 66 826	GW 66 503	GW 66 953	GW 66 976
GW 66 204	GW 66 326	GW 66 226	GW 66 538	GW 66 804	GW 66 827	GW 66 504	GW 66 954	GW 66 977
GW 66 205	GW 66 327	GW 66 227	GW 66 539	GW 66 805	GW 66 828	GW 66 505	GW 66 955	GW 66 978
GW 66 206	GW 66 328	GW 66 228	GW 66 540	GW 66 806	GW 66 829	GW 66 506	GW 66 956	GW 66 979
GW 66 207	GW 66 329	GW 66 229	GW 66 541	GW 66 807	GW 66 830	GW 66 507	GW 66 957	GW 66 980
GW 66 208	GW 66 330	GW 66 230	GW 66 542	GW 66 808	GW 66 831	GW 66 508	GW 66 958	GW 66 981
GW 66 209	GW 66 331	GW 66 231	GW 66 543	GW 66 809	GW 66 832	GW 66 509	GW 66 959	GW 66 982
GW 66 210	GW 66 332	GW 66 232	GW 66 544	GW 66 810	GW 66 833	GW 66 510	GW 66 960	GW 66 983
GW 66 211	GW 66 333	GW 66 233	GW 66 545	GW 66 811	GW 66 834	GW 66 511	GW 66 961	GW 66 984
GW 66 212	GW 66 334	GW 66 234	GW 66 546	GW 66 812	GW 66 835	GW 66 512	GW 66 962	GW 66 985
GW 66 213	GW 66 335	GW 66 235	GW 66 547	GW 66 813	GW 66 836	GW 66 513	GW 66 963	GW 66 986
GW 66 214	GW 66 336	GW 66 236	GW 66 548	GW 66 814	GW 66 837	GW 66 514	GW 66 964	GW 66 987
GW 66 215	GW 66 337	GW 66 237	GW 66 549	GW 66 815	GW 66 838	GW 66 515	GW 66 965	GW 66 988
GW 66 216	GW 66 338	GW 66 238	GW 66 550	GW 66 816	GW 66 839	GW 66 516	GW 66 966	GW 66 989
GW 66 217	GW 66 339	GW 66 239	GW 66 551	GW 66 817	GW 66 840	GW 66 517	GW 66 967	GW 66 990
GW 66 218	GW 66 340	GW 66 240	GW 66 552	GW 66 818	GW 66 841	GW 66 518	GW 66 968	GW 66 991
GW 66 219	GW 66 341	GW 66 241	GW 66 553	GW 66 819	GW 66 842	GW 66 519	GW 66 969	GW 66 992
GW 66 220	GW 66 342	GW 66 242	GW 66 554	GW 66 820	GW 66 843	GW 66 520	GW 66 970	GW 66 993
GW 66 221	GW 66 343	GW 66 243	GW 66 555	GW 66 821	GW 66 844	GW 66 521	GW 66 971	GW 66 994
GW 66 222	GW 66 344	GW 66 244	GW 66 556	GW 66 822	GW 66 845	GW 66 522	GW 66 972	GW 66 995
GW 66 257	GW 66 358	GW 66 258	GW 66 557	GW 66 823	GW 66 846	GW 66 523	GW 66 973	GW 66 996
	GW 66 345	GW 67 245				GW 66 524	GW 66 847	GW 66 866
	GW 66 346	GW 67 246				GW 66 525	GW 66 848	GW 66 867
	GW 66 347	GW 67 247				GW 66 526	GW 66 849	GW 66 868
	GW 66 348	GW 67 248				GW 66 527	GW 66 850	GW 66 869
	GW 66 349	GW 67 249				GW 66 528	GW 66 851	GW 66 870
	GW 66 350	GW 67 250				GW 66 529	GW 66 852	GW 66 871
	GW 66 351	GW 67 251				GW 66 530	GW 66 853	GW 66 872
	GW 66 352	GW 67 252				GW 66 531	GW 66 854	GW 66 873
	GW 66 353	GW 67 253				GW 66 532	GW 66 855	GW 66 874
	GW 66 354	GW 67 254				GW 66 533	GW 66 856	GW 66 875
	GW 66 355	GW 67 255				GW 66 534	GW 66 857	GW 66 876

# 66/67 IB RANGE INTERLOCKED SOCKET-OUTLETS TO IEC 309 STANDARDS

## Compact protected interlocked socket-outlets - IP 44

### IP 44 without back



### 66 COMBIBLOC RANGE

Compact protected interlocked socket-outlets  
without back 50/60Hz - IP 44

	Gewiss code	Nominal current In (A)	No. poles	Nominal voltage Un (V)	Ref. h	Pack/Carton Qty.
NEW	GW 66 423	16	2P + $\perp$	110 ↕/100 - ↕/130	4	1/12
NEW	GW 66 424		3P + $\perp$		4	1/12
NEW	GW 66 425		3P + N + $\perp$	4	1/12	
NEW	GW 66 426	16	2P + $\perp$	220 ↕/200 - ↕/250	6	1/12
NEW	GW 66 427		3P + $\perp$		9	1/12
NEW	GW 66 428		3P + N + $\perp$	9	1/12	
NEW	GW 66 429	16	2P + $\perp$	380 ↕/380 - ↕/415	9	1/12
NEW	GW 66 430		3P + $\perp$		6	1/12
NEW	GW 66 431		3P + N + $\perp$	6	1/12	
NEW	GW 66 434	32	2P + $\perp$	110 ↕/100 - ↕/130	4	1/12
NEW	GW 66 435		3P + $\perp$		4	1/12
NEW	GW 66 436		3P + N + $\perp$	4	1/12	
NEW	GW 66 437	32	2P + $\perp$	220 ↕/200 - ↕/250	6	1/12
NEW	GW 66 438		3P + $\perp$		9	1/12
NEW	GW 66 439		3P + N + $\perp$	9	1/12	
NEW	GW 66 440	32	2P + $\perp$	380 ↕/380 - ↕/415	9	1/12
NEW	GW 66 441		3P + $\perp$		6	1/12
NEW	GW 66 442		3P + N + $\perp$	6	1/12	

### IP 44 with back



### 66 COMBIBLOC RANGE

Compact protected interlocked socket-outlets  
with back 50/60Hz - IP 44

	Gewiss code	Nominal current In (A)	No. poles	Nominal voltage Un (V)	Ref. h	Pack/Carton Qty.
NEW	GW 66 401	16	2P + $\perp$	110 ↕/100 - ↕/130	4	1/12
NEW	GW 66 402		3P + $\perp$		4	1/12
NEW	GW 66 403		3P + N + $\perp$	4	1/12	
NEW	GW 66 404	16	2P + $\perp$	220 ↕/200 - ↕/250	6	1/12
NEW	GW 66 405		3P + $\perp$		9	1/12
NEW	GW 66 406		3P + N + $\perp$	9	1/12	
NEW	GW 66 407	16	2P + $\perp$	380 ↕/380 - ↕/415	9	1/12
NEW	GW 66 408		3P + $\perp$		6	1/12
NEW	GW 66 409		3P + N + $\perp$	6	1/12	
NEW	GW 66 412	32	2P + $\perp$	110 ↕/100 - ↕/130	4	1/12
NEW	GW 66 413		3P + $\perp$		4	1/12
NEW	GW 66 414		3P + N + $\perp$	4	1/12	
NEW	GW 66 415	32	2P + $\perp$	220 ↕/200 - ↕/250	6	1/12
NEW	GW 66 416		3P + $\perp$		9	1/12
NEW	GW 66 417		3P + N + $\perp$	9	1/12	
NEW	GW 66 418	32	2P + $\perp$	380 ↕/380 - ↕/415	9	1/12
NEW	GW 66 419		3P + $\perp$		6	1/12
NEW	GW 66 420		3P + N + $\perp$	6	1/12	

Selection guide: pages 148-149

Complementary items: pages 152-153

Technical sheets: page 278

Dimensions: page 283

Complementary system items: page 144

Compact watertight interlocked socket-outlets - IP 55

**IP 55  
without back**



**66 COMBIBLOC RANGE**

Compact watertight interlocked socket-outlets without back 50/60Hz - IP 55

	Gewiss code	Nominal current In (A)	No. poles	Nominal voltage Un (V)	Ref. h	Pack/ Carton Qty.	
NEW	GW66 467	16	2P + $\oplus$	110 +/100 - +/130	4	1/12	
NEW	GW66 468		3P + $\oplus$		4	1/12	
NEW	GW66 469		3P + N + $\oplus$	4	1/12		
NEW	GW66 470		2P + $\oplus$	220 +/200 - +/250	6	1/12	
NEW	GW66 471		3P + $\oplus$		9	1/12	
NEW	GW66 472		3P + N + $\oplus$		9	1/12	
NEW	GW66 473		2P + $\oplus$	380 +/380 - +/415	9	1/12	
NEW	GW66 474		3P + $\oplus$		6	1/12	
NEW	GW66 475		3P + N + $\oplus$		6	1/12	
NEW	GW66 478		32	2P + $\oplus$	110 +/100 - +/130	4	1/12
NEW	GW66 479			3P + $\oplus$		4	1/12
NEW	GW66 480			3P + N + $\oplus$	4	1/12	
NEW	GW66 481	2P + $\oplus$		220 +/200 - +/250	6	1/12	
NEW	GW66 482	3P + $\oplus$			9	1/12	
NEW	GW66 483	3P + N + $\oplus$			9	1/12	
NEW	GW66 484	2P + $\oplus$		380 +/380 - +/415	9	1/12	
NEW	GW66 485	3P + $\oplus$			6	1/12	
NEW	GW66 486	3P + N + $\oplus$			6	1/12	

**IP 55  
with back**



**66 COMBIBLOC RANGE**

Compact watertight interlocked socket-outlets with back 50/60Hz - IP 55

	Gewiss code	Nominal current In (A)	No. poles	Nominal voltage Un (V)	Ref. h	Pack/ Carton Qty.	
NEW	GW66 445	16	2P + $\oplus$	110 +/100 - +/130	4	1/12	
NEW	GW66 446		3P + $\oplus$		4	1/12	
NEW	GW66 447		3P + N + $\oplus$	4	1/12		
NEW	GW66 448		2P + $\oplus$	220 +/200 - +/250	6	1/12	
NEW	GW66 449		3P + $\oplus$		9	1/12	
NEW	GW66 450		3P + N + $\oplus$		9	1/12	
NEW	GW66 451		2P + $\oplus$	380 +/380 - +/415	9	1/12	
NEW	GW66 452		3P + $\oplus$		6	1/12	
NEW	GW66 453		3P + N + $\oplus$		6	1/12	
NEW	GW66 456		32	2P + $\oplus$	110 +/100 - +/130	4	1/12
NEW	GW66 457			3P + $\oplus$		4	1/12
NEW	GW66 458			3P + N + $\oplus$	4	1/12	
NEW	GW66 459	2P + $\oplus$		220 +/200 - +/250	6	1/12	
NEW	GW66 460	3P + $\oplus$			9	1/12	
NEW	GW66 461	3P + N + $\oplus$			9	1/12	
NEW	GW66 462	2P + $\oplus$		380 +/380 - +/415	9	1/12	
NEW	GW66 463	3P + $\oplus$			6	1/12	
NEW	GW66 464	3P + N + $\oplus$			6	1/12	

# 66/67 IB RANGE INTERLOCKED SOCKET-OUTLETS TO IEC 309 STANDARDS

Complementary items for surface installations for compact interlocked socket-outlets

## Back-mounting box



### 66 COMBIBLOC RANGE

Back-mounting box for compact interlocked socket-outlets without back

Gewiss code	Houseable compact interlocked socket-outlets		No. entries top / bottom		No. side entries Ø 23 mm	Pack/Carton Qty.
	No.	Type	Ø 23/29	Ø 29/23		
<b>NEW</b> GW 66 496	1	16/32A	1	1	2	1/12

## Vertical watertight boards





GWTEST SOFTWARE  
(see page 322)



Empty vertical watertight boards IP 55

Gewiss code	No. houseable compact interlocked socket-outlets	No. modules EN 50022 (18 mm)	Dispersable power (CEI 23-49) (W)	Pack/Carton Qty.
<b>NEW</b> GW 66 491	1	4	10	1/12
<b>NEW</b> GW 66 492	2	8	13	1/ 6
<b>NEW</b> GW 66 493	3	12	24	1/ 4

## SELECTION GUIDE FOR TERMINAL BLOCKS FOR VERTICAL WATERTIGHT BOARDS FOR COMBIBLOC

					
Code	Neutral terminal block No. poles x sect. (mm <sup>2</sup> )	Earth terminal block No. poles x sect. (mm <sup>2</sup> )	Code	Neutral terminal block No. poles x sect. (mm <sup>2</sup> )	Earth terminal block No. poles x sect. (mm <sup>2</sup> )
GW 40 401	(1 x 25) + (7 x 10)	(1 x 25) + (7 x 10)	GW 40 402	(3 x 25) + (10 x 10)	(3 x 25) + (10 x 10)
GW 66 492	1		-		
GW 66 493	-		1		

## COMPLEMENTARY INSTALLATION ITEMS

Selection guide:	pages 148-149
Technical sheets:	page 278
Dimensions:	page 283
Complementary system items:	page 144



50 AC Range



50 AC Range



52 PG Range



52 PGT Range

Complementary items for flush installations for compact interlocked socket-outlets

Flush-mounting frame  
IP 44/55



**66 COMBIBLOC RANGE**

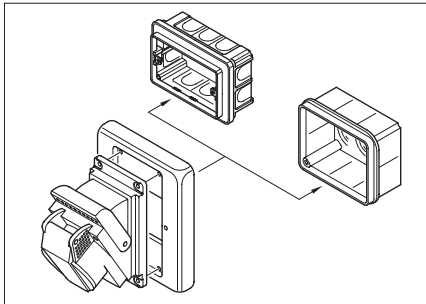
Flush-mounting box with frame  
for fixed weatherproof socket-outlets without back  
with compact interlocked switch - IP 55

Gewiss code	Mountable compact interlocked socket-outlets		Pack/ Carton Qty.
	N.	Type	
<b>NEW</b> GW 66 498	1	16/32A	1/12

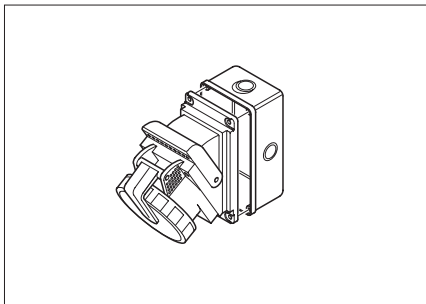
**APPLICATIONS:** Can be mounted on flush-mounting rectangular box for modular ranges (codes GW 24 303 and GW 24 203) with c/c distance 83.5 mm and on junction box 48 PT Range (code GW 48 002).

**APPLICATION SOLUTIONS**

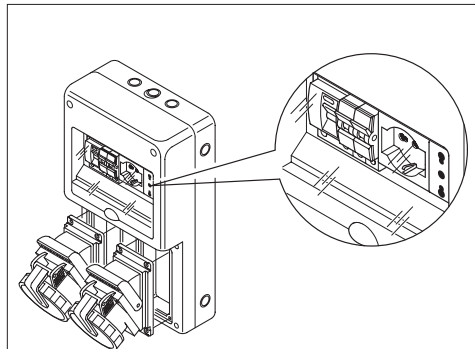
Flush-mounting



Single surface-mounting



Combination surface

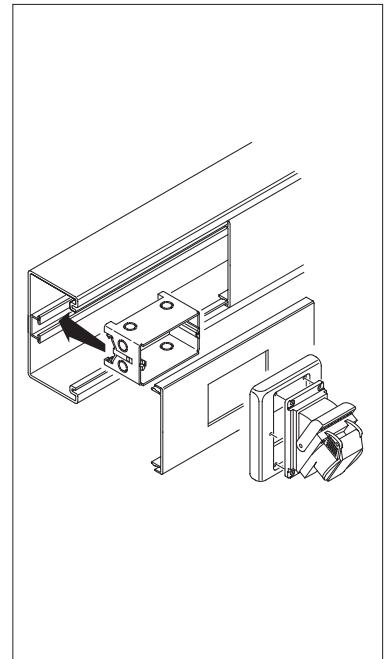


**APPLICATION EXAMPLE**

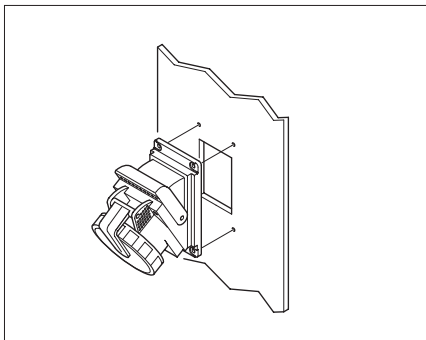
On the 8-module EN 50022 rail it is possible to install:

- protection for IEC socket-outlets using modular devices in the 90 Range: 1 residual current device and 2 miniature circuit breakers (total 4 modules);
- two supply socket-outlets, one Italian standard and one German standard, using the supports of the SYSTEM Range GW 26 409 - 1 gang, GW 26 410 - 2 gang (total 3.5 modules)

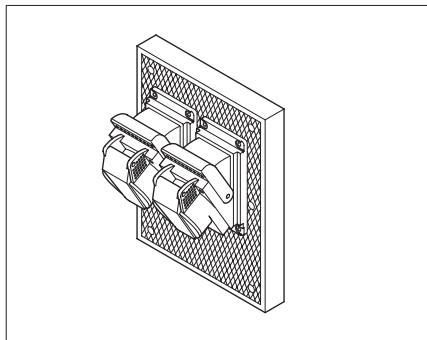
On trunking



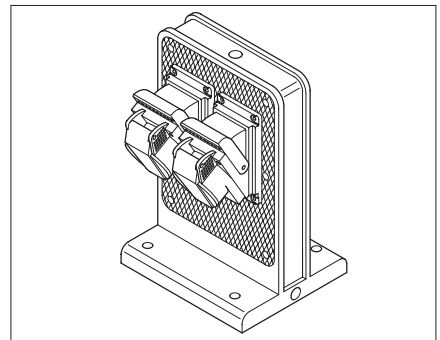
Panel



On 42 TV range



On tower





# 66/67 IB RANGE INTERLOCKED SOCKET-OUTLETS TO IEC 309 STANDARDS

## Horizontal interlocked socket-outlets - IP 44

### Possibility of mounting on:

- Q-DIN distribution boards
- Back-mounting boxes
- Flush-mounting boxes



### 66 IB RANGE

Horizontal interlocked socket-outlets  
without back - 50/60Hz - IP 44

Gewiss code	Nominal current In (A)	No. poles	Nominal voltage Un (V)	Reference h	Pack/ Carton Qty.
GW 66 101	16	2P + $\perp$	110 ↗/100 - ↘/130	4	1/12
GW 66 102		3P + $\perp$		4	1/12
GW 66 103		3P + N + $\perp$		4	1/12
GW 66 104		2P + $\perp$	220 ↗/200 - ↘/250	6	1/12
GW 66 105		3P + $\perp$		9	1/12
GW 66 106		3P + N + $\perp$		9	1/12
GW 66 107		2P + $\perp$	380 ↗/380 - ↘/415	9	1/12
GW 66 108		3P + $\perp$		6	1/12
GW 66 109		3P + N + $\perp$		6	1/12
GW 66 110		3P + $\perp$	500 ↗/480 - ↘/500	7	1/12
GW 66 111		3P + N + $\perp$		7	1/12
GW 66 112		32	2P + $\perp$	110 ↗/100 - ↘/130	4
GW 66 113	3P + $\perp$		4		1/12
GW 66 114	3P + N + $\perp$		4		1/12
GW 66 115	2P + $\perp$		220 ↗/200 - ↘/250	6	1/12
GW 66 116	3P + $\perp$			9	1/12
GW 66 117	3P + N + $\perp$			9	1/12
GW 66 118	2P + $\perp$		380 ↗/380 - ↘/415	9	1/12
GW 66 119	3P + $\perp$			6	1/12
GW 66 120	3P + N + $\perp$			6	1/12
GW 66 121	3P + $\perp$		500 ↗/480 - ↘/500	7	1/12
GW 66 122	3P + N + $\perp$			7	1/12

### Possibility of mounting on:

- Wall
- Q-BOX distribution boards
- Pillar



### 66 IB RANGE

Horizontal interlocked socket-outlets  
with back - 50/60Hz - IP 44

Gewiss code	Nominal current In (A)	No. poles	Nominal voltage Un (V)	Ref. h	Entry with stepped gland (supplied)	Pack/ Carton Qty.
GW 66 001	16	2P + $\perp$	110 ↗/100 - ↘/130	4	Ø 23 mm	1/12
GW 66 002		3P + $\perp$		4		1/12
GW 66 003		3P + N + $\perp$		4		1/12
GW 66 004		2P + $\perp$	220 ↗/200 - ↘/250	6		1/12
GW 66 005		3P + $\perp$		9		1/12
GW 66 006		3P + N + $\perp$		9		1/12
GW 66 007		2P + $\perp$	380 ↗/380 - ↘/415	9		1/12
GW 66 008		3P + $\perp$		6		1/12
GW 66 009		3P + N + $\perp$		6		1/12
GW 66 010		3P + $\perp$	500 ↗/480 - ↘/500	7		1/12
GW 66 011		3P + N + $\perp$		7		1/12
GW 66 012		32	2P + $\perp$	110 ↗/100 - ↘/130		4
GW 66 013	3P + $\perp$		4		1/12	
GW 66 014	3P + N + $\perp$		4		1/12	
GW 66 015	2P + $\perp$		220 ↗/200 - ↘/250	6	1/12	
GW 66 016	3P + $\perp$			9	1/12	
GW 66 017	3P + N + $\perp$			9	1/12	
GW 66 018	2P + $\perp$		380 ↗/380 - ↘/415	9	1/12	
GW 66 019	3P + $\perp$			6	1/12	
GW 66 020	3P + N + $\perp$			6	1/12	
GW 66 021	3P + $\perp$		500 ↗/480 - ↘/500	7	1/12	
GW 66 022	3P + N + $\perp$			7	1/12	

ACCESSORIES SUPPLIED: Conduit coupling Ø 20 mm.

Selection guide: pages 148-149

Complementary items: pages 156-157

Technical sheets: pages 279-281

Dimensions: page 284

Complementary system items: page 144

## Horizontal interlocked socket-outlets and fuse-holder base - IP 44

### Possibility of mounting on:

- Q-DIN distribution boards
- Back-mounting boxes
- Flush-mounting boxes



### 66 IB RANGE

Horizontal interlocked socket-outlets  
without back with fuse-holder base - 50/60Hz - IP 44

Gewiss code	Nominal current In (A)	No. poles	Nominal voltage Un (V)	Reference h	Pack/ Carton Qty.
GW66 123	16 Fuse-holder base E14	2P + $\perp$	110 +/100 - +/130	4	1/12
GW66 124		3P + $\perp$		4	1/12
GW66 125		3P + N + $\perp$		4	1/12
GW66 126		2P + $\perp$	220 +/200 - +/250	6	1/12
GW66 127		3P + $\perp$		9	1/12
GW66 128		3P + N + $\perp$		9	1/12
GW66 129		2P + $\perp$	380 +/380 - +/415	9	1/12
GW66 130		3P + $\perp$		6	1/12
GW66 131		3P + N + $\perp$		6	1/12
GW66 132		3P + $\perp$	500 +/480 - +/500	7	1/12
GW66 133		3P + N + $\perp$		7	1/12
GW66 134		2P + $\perp$		4	1/12
GW66 135		3P + $\perp$	110 +/100 - +/130	4	1/12
GW66 136		3P + N + $\perp$		4	1/12
GW66 137	2P + $\perp$	6		1/12	
GW66 138	32 Fuse-holder base E18	3P + $\perp$	220 +/200 - +/250	9	1/12
GW66 139		3P + N + $\perp$		9	1/12
GW66 140		2P + $\perp$		9	1/12
GW66 141		3P + $\perp$	380 +/380 - +/415	6	1/12
GW66 142		3P + N + $\perp$		6	1/12
GW66 143		3P + $\perp$		7	1/12
GW66 144		3P + N + $\perp$	500 +/480 - +/500	7	1/12

### Possibility of mounting on:

- Wall
- Q-BOX distribution boards
- Pillar



### 66 IB RANGE

Horizontal interlocked socket-outlets  
with back and fuse-holder base - 50/60Hz - IP 44

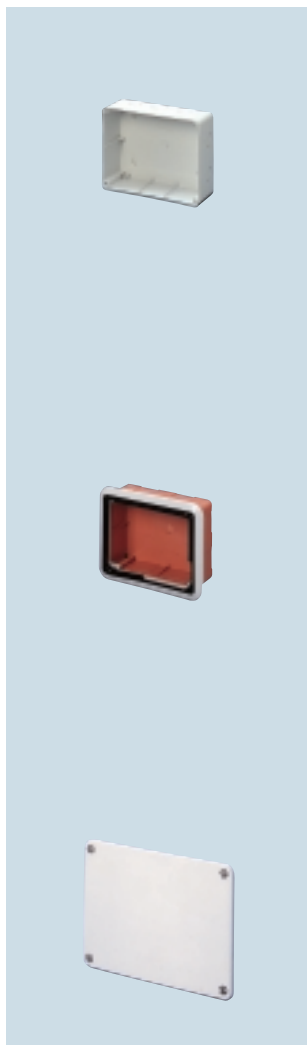
Gewiss code	Nominal current In (A)	No. poles	Nominal voltage Un (V)	Ref. h	Entry with stepped gland (supplied)	Pack/ Carton Qty.
GW66 023	16 Fuse-holder base E14	2P + $\perp$	110 +/100 - +/130	4	Ø 29 mm	1/12
GW66 024		3P + $\perp$		4		1/12
GW66 025		3P + N + $\perp$		4		1/12
GW66 026		2P + $\perp$	220 +/200 - +/250	6		1/12
GW66 027		3P + $\perp$		9		1/12
GW66 028		3P + N + $\perp$		9		1/12
GW66 029		2P + $\perp$	380 +/380 - +/415	9		1/12
GW66 030		3P + $\perp$		6		1/12
GW66 031		3P + N + $\perp$		6		1/12
GW66 032		3P + $\perp$	500 +/480 - +/500	7		1/12
GW66 033		3P + N + $\perp$		7		1/12
GW66 034		2P + $\perp$		110 +/100 - +/130		4
GW66 035		3P + $\perp$	4			1/12
GW66 036		3P + N + $\perp$	4			1/12
GW66 037	32 Fuse-holder base E18	2P + $\perp$	220 +/200 - +/250	6	1/12	
GW66 038		3P + $\perp$		9	1/12	
GW66 039		3P + N + $\perp$		9	1/12	
GW66 040		2P + $\perp$	380 +/380 - +/415	9	1/12	
GW66 041		3P + $\perp$		6	1/12	
GW66 042		3P + N + $\perp$		6	1/12	
GW66 043		3P + $\perp$	500 +/480 - +/500	7	1/12	
GW66 044		3P + N + $\perp$		7	1/12	

ACCESSORIES SUPPLIED: Conduit couplings Ø 20 and Ø 25 mm.

# 66/67 IB RANGE INTERLOCKED SOCKET-OUTLETS TO IEC 309 STANDARDS

## Complementary items for horizontal interlocked socket-outlets

### Back-mounting boxes



### Flush-mounting boxes with frame

### Blank lids

### 66 IB RANGE

Back-mounting boxes for horizontal interlocked socket-outlets without back - IP 44

Gewiss Code	Interlocked socket-outlets mountable		No. entries top / bottom		No. entries side Ø 23 mm	Pack/ Carton Qty.
	No.	Type	Ø 23	Ø 29		
<b>GW 66 676</b>	[ 1 ]	16/32A S.B.F.	6	-	[ 4 ]	1/10
<b>GW 66 677</b>	[ 1 ]	16/32A C.B.F.	4	2	[ 4 ]	1/10

Flush-mounting boxes with frame for horizontal interlocked socket-outlets IP 44

Gewiss code	Interlocked socket-outlets mountables		Pack/ Carton Qty.
	No.	Type	
<b>GW 66 681</b>	[ 1 ]	16/32A S.B.F.	1/10
<b>GW 66 682</b>	[ 1 ]	16/32A C.B.F.	1/10

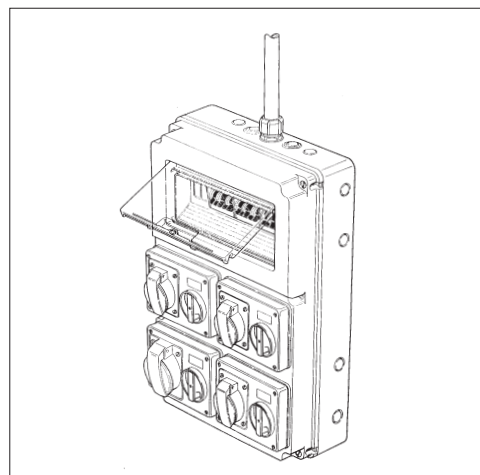
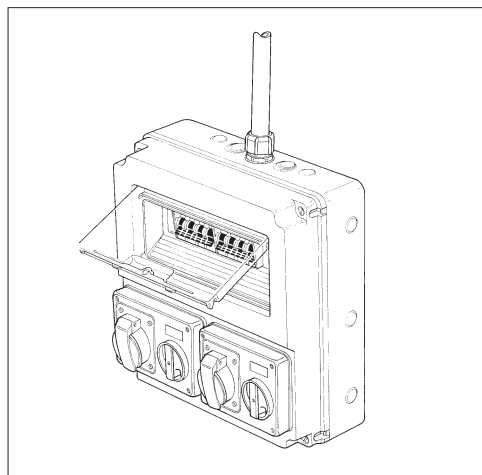
Blank lids closing interlocked socket-outlet compartment IP 44

Gewiss code	For distribution boards Q-DIN	For back-mounting boxes	For flush-mounting enclosures	Pack/ Carton Qty.
	<b>GW 66 701</b>	GW 68 006 GW 68 009 GW 68 019	GW 66 676	
<b>GW 66 702</b>	GW 68 014	GW 66 677	GW 66 682	1/10

APPLICATIONS: Possibility of mounting on distribution boards Q-DIN, bottom enclosures and flush-mounting enclosures.

## APPLICATION SOLUTIONS

### On Q-DIN distribution boards

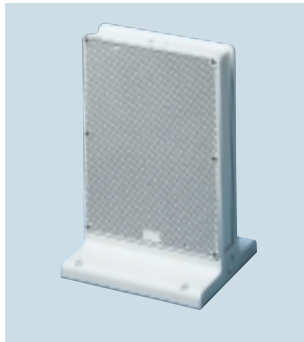


Selection guide: pages 148-149

Technical sheets: pages 279-281

Dimensions: page 284

Floor standing and workbench distribution pillar



**68 Q-DIN RANGE**  
Floor standing and workbench distribution pillar - IP 55

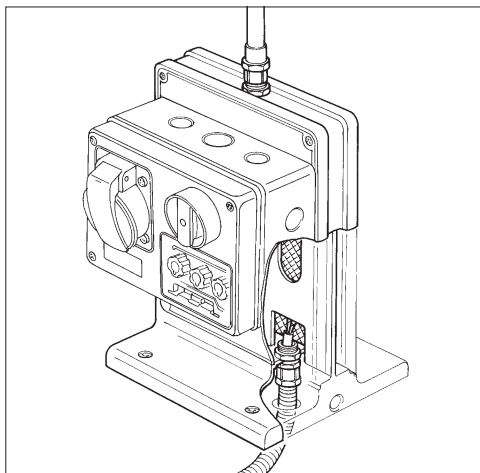
Gewiss code	Dimensions L x H x D (mm)	Interlocked socket-outlets mountable	Q-DIN mountable	Pack/Carton Qty.
<b>GW68 441</b>	295 x 200 x 180	16/32A - IP 44 and compact socket-outlets	Q-DIN 4	1/6

**CHARACTERISTICS:** Opposing flanges with smooth and honeycomb surface to secure interlocked socket-outlets in the 66/67 IB, horizontal, and Q-DIN 4 ranges.

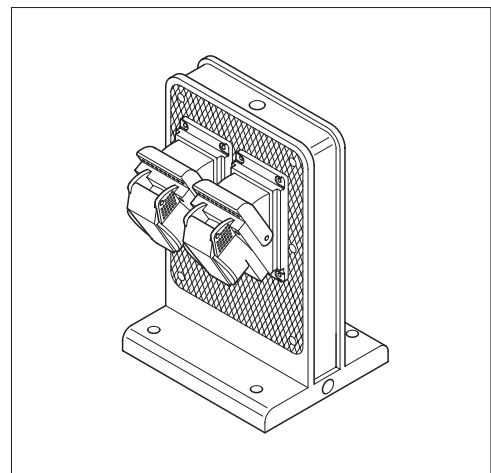
**APPLICATIONS:** The pillars are installed combined, using the coupler, GW 26 406 (see EURODOMO Catalogue).

**APPLICATION SOLUTIONS**

Tower with horizontal interlocked socket-outlet IP 44



Tower with compact interlocked socket-outlet IP 44



# 66/67 IB RANGE INTERLOCKED SOCKET-OUTLETS TO IEC 309 STANDARDS

Vertical watertight interlocked socket-outlets - IP 55

**Possibility of mounting on:**

- Q-DIN distribution boards
- Modular bases
- Back-mounting boxes
- Flush-mounting boxes



**66 IB RANGE**

Vertical watertight interlocked socket-outlets without back - 50/60Hz - IP 55

Gewiss code	Nominal current In (A)	No. poles	Nominal voltage Un (V)	Reference h	Pack/ Carton Qty.
GW 66 301	16	2P + $\perp$	110 ↗/100 - ↘/130	4	1/12
GW 66 302		3P + $\perp$		4	1/12
GW 66 303		3P + N + $\perp$	4	1/12	
GW 66 304		2P + $\perp$	220 ↗/200 - ↘/250	6	1/12
GW 66 305		3P + $\perp$		9	1/12
GW 66 306		3P + N + $\perp$	9	1/12	
GW 66 307		2P + $\perp$	380 ↗/380 - ↘/415	9	1/12
GW 66 308		3P + $\perp$		6	1/12
GW 66 309		3P + N + $\perp$	6	1/12	
GW 66 310		3P + $\perp$	500 ↗/480 - ↘/500	7	1/12
GW 66 311		3P + N + $\perp$		7	1/12
GW 66 312		32	2P + $\perp$	110 ↗/100 - ↘/130	4
GW 66 313	3P + $\perp$		4		1/12
GW 66 314	3P + N + $\perp$		4	1/12	
GW 66 315	2P + $\perp$		220 ↗/200 - ↘/250	6	1/12
GW 66 316	3P + $\perp$			9	1/12
GW 66 317	3P + N + $\perp$		9	1/12	
GW 66 318	2P + $\perp$		380 ↗/380 - ↘/415	9	1/12
GW 66 319	3P + $\perp$			6	1/12
GW 66 320	3P + N + $\perp$		6	1/12	
GW 66 321	3P + $\perp$		500 ↗/480 - ↘/500	7	1/12
GW 66 322	3P + N + $\perp$			7	1/12
GW 66 357			3P + $\perp$	380 / 440	3

Selection guide:	pages 148-149
Complementary items:	pages 160-161
Technical sheets:	pages 279-281
Dimensions:	page 284
Complementary system items:	page 144

Possibility of mounting on:

- Wall
- Q-BOX distribution boards



### 66 IB RANGE

Vertical watertight interlocked socket-outlets  
with back - 50/60Hz - IP 55

Gewiss code	Nominal current In (A)	No. poles	Nominal voltage Un (V)	Ref. h	Superior cable gland (supplied)	Pack/ Carton Qty.
GW 66 201	16	2P + $\perp$	110 +/100 - +/130	4	Pg 29	1/12
GW 66 202		3P + $\perp$		4		1/12
GW 66 203		3P + N + $\perp$		4		1/12
GW 66 204	16	2P + $\perp$	220 +/200 - +/250	6	Pg 29	1/12
GW 66 205		3P + $\perp$		9		1/12
GW 66 206		3P + N + $\perp$		9		1/12
GW 66 207	16	2P + $\perp$	380 +/380 - +/415	9	Pg 29	1/12
GW 66 208		3P + $\perp$		6		1/12
GW 66 209		3P + N + $\perp$		6		1/12
GW 66 210	16	3P + $\perp$	500 +/480 - +/500	7	Pg 29	1/12
GW 66 211		3P + N + $\perp$		7		1/12
GW 66 212		2P + $\perp$		4		1/12
GW 66 213	32	3P + $\perp$	110 +/100 - +/130	4	Pg 29	1/12
GW 66 214		3P + N + $\perp$		4		1/12
GW 66 215		2P + $\perp$		6		1/12
GW 66 216	32	3P + $\perp$	220 +/200 - +/250	9	Pg 29	1/12
GW 66 217		3P + N + $\perp$		9		1/12
GW 66 218		2P + $\perp$		9		1/12
GW 66 219	32	3P + $\perp$	380 +/380 - +/415	6	Pg 29	1/12
GW 66 220		3P + N + $\perp$		6		1/12
GW 66 221		3P + $\perp$		7		1/12
GW 66 222	32	3P + N + $\perp$	500 +/480 - +/500	7	Pg 29	1/12
GW 66 223		3P + $\perp$		7		1/12
GW 66 257	32	3P + $\perp$	380 / 440	3	Pg 29	1/12

ACCESSORIES SUPPLIED: No. 4 insulating screwcaps Ø 25 mm.

# 66/67 IB RANGE INTERLOCKED SOCKET-OUTLETS TO IEC 309 STANDARDS

Complementary items for surface-mounting for S.B.F. vertical interlocked socket-outlets - IP 55

## Back-mounting boxes



## Back-mounting boxes with flanged lid



## Back-mounting boxes complete with socket-outlets



## Modular bases



Selection guide: pages 148-149

Technical sheets: pages 279-281

Dimensions: pages 284-286

Complementary system items: page 144

## 66 IB RANGE

Back-mounting watertight boxes for vertical interlocked socket-outlets without back - IP 55

Gewiss code	Interlocked socket-outlets mountable		No. entries top / bottom		Pack/ Carton Qty.
	No.	Type	Ø 23	Ø 29 / 37	
<b>GW 66 678</b>	1	S.B.F.	2	1	1/10

Back-mounting watertight boxes with flanged lid fitted for 2 covers - IP 55

Gewiss code	Modular with socket-outlets interlocked	Equipment mountable	No. entries top / bottom		Pack/ Carton Qty.
			Ø 23	Ø 29/37	
<b>GW 66 741</b>	S.B.F.	2 - 75 x 85 mm. COMBI-IN Range IEC 309 Range	2	1	1/10

ACCESSORIES SUPPLIED: blank cover, gasket and 8 mounting screws.

Back-mounting watertight boxes with flanged lid fitted complete with socket-outlets - IP 55

Gewiss code	Modular with socket-outlets interlocked	No. socket-outlets 16A			No. entries top / bottom		Pack/ Carton Qty.
		IEC 309 2P+T/220V	IEC 309 3P+T/380V	Italian/German Standard	Ø 23	Ø 29/37	
<b>GW 66 751</b>	S.B.F.	2	-	-	2	1	1/6
<b>GW 66 752</b>		1	1	-	2	1	1/6
<b>GW 66 753</b>		1	-	1	2	1	1/6

Modular bases for mounting a bank of vertical watertight interlocked socket-outlets without a bottom - IP 55

Gewiss code	Interlocked socket-outlets mountable		No. entries top / bottom		No. entries side Ø 23 mm	Pack/ Carton Qty.
	No.	Type	Ø 23	Ø 29		
<b>GW 66 690</b>	1	S.B.F.	2	-	2	1/6
<b>GW 66 691</b>	2		4	1	4	1/6
<b>GW 66 694</b>	3		5	-	2	1/6

ACCESSORIES SUPPLIED: 1 coupler for combined mounting. GW 66 694, blank lid for socket-outlet compartment.

CHARACTERISTICS: Possibility of multiple combinations of several modular bases by using the coupler GW 26 406.

S.B.F.: Without fuse-holder base.

## Complementary items for flush-mounting for S.B.F. vertical interlocked socket-outlets - IP 55

### Flush-mounting boxes



### Flush-mounting boxes with flanged lid



### Flush-mounting boxes complete with socket-outlets



### Blanking lid



### Flanged lid



### Flanged lids complete with socket-outlets



### Covers 75 x 85 mm



### RANGE 66 IB

Flush-mounting boxes with frame for vertical interlocked socket-outlets - IP 55

Gewiss code	Interlocked socket-outlets mountables		Pack/Carton Qty.
	No.	Type	
<b>GW 66 683</b>	1	S.B.F.	1/10

Flush-mounting watertight boxes with frame and flanged lid fitted for 2 covers - IP 55

Gewiss code	Modular with interlocked socket-outlets	Devices mountable		Pack/Carton Qty.
		No. Dimensions	Covers type	
<b>GW 66 743</b>	S.B.F.	2 - 75 x 85 mm.	COMBI-IN Range IEC 309 Range	1/10

ACCESSORIES SUPPLIED: blank cover, gasket and 8 mounting screws.

Flush-mounting watertight boxes with frame and flanged lid complete with socket-outlets - IP 55

Gewiss code	Modular with interlocked socket-outlets	No. socket-outlets 16A			Pack/Carton Qty.
		IEC 309			
		2P+T/220V	3P+T/380V	Italian/German standard	
<b>GW 66 761</b>	[ S.B.F. ]	2	-	-	1/6
<b>GW 66 762</b>	[ S.B.F. ]	1	1	-	1/6
<b>GW 66 763</b>	[ S.B.F. ]	1	-	1	1/6

Blank lids closing interlocked socket-outlet compartment - IP 55

Gewiss code	For distribution boards Q-DIN	For modular bases	For back-mounting boxes	For flush-mounting enclosures	Pack/Carton Qty.
<b>GW 66 703</b>	GW 68 010 GW 68 015	GW 66 691	GW 66 678	GW 66 683	1/10

Flanged lids for vertical watertight socket-outlets fitted for 2 covers - IP 55

Gewiss code	Modular with interlocked socket-outlets	Devices mountable		Pack/Carton Qty.
		No. Dimensions	Covers type	
<b>GW 66 709</b>	S.B.F.	2 - 75 x 85 mm.	COMBI-IN Range IEC 309 Range	1/10

ACCESSORIES SUPPLIED: blank cover, gasket and 8 mounting screws.

APPLICATIONS: Possibility of mounting on distribution boards Q-DIN, modular bases, bottom enclosures and flush-mounting enclosures.

Flanged lids for watertight vertical socket-outlets complete with sockets - IP 55

Gewiss code	Modular with interlocked socket-outlets	No. socket-outlets 16A			Pack/Carton Qty.
		IEC 309			
		2P+T/220V	3P+T/380V	Italian/German standard	
<b>GW 66 771</b>	[ S.B.F. ]	2	-	-	1/6
<b>GW 66 772</b>	[ S.B.F. ]	1	1	-	1/6
<b>GW 66 773</b>	[ S.B.F. ]	1	-	1	1/6

Watertight covers fitted for 1 push-button/indicator Ø 22 mm - IP 66

Gewiss code	Equipment mountable		Colour	Pack/Carton Qty.
	No.	Type		
<b>GW 66 708</b>	1	Push-buttons Ø 22 mm	Grey	1/20
<b>GW 66 745</b>	1	74 PS Range	Yellow	1/20

ACCESSORIES SUPPLIED: Washer and assembly screws.

APPLICATIONS: GW 66 745, specific for mounting emergency buttons.

Possibility of mounting on distribution boards Q-DIN, PTC junction boxes, flanged lids and panels.

S.B.F.: with no fuse-holder base



# 66/67 IB RANGE INTERLOCKED SOCKET-OUTLETS TO IEC 309 STANDARDS

Vertical watertight interlocked socket-outlets with fuse-holder base - IP 55

**Possibility of mounting on:**

- Q-DIN distribution boards
- Modular bases
- Back-mounting boxes
- Flush-mounting boxes



(for fuse table, see page 175)

- Selection guide: pages 148-149
- Complementary items: pages 164-165
- Technical sheets: pages 279-281
- Dimensions: pages 284-286
- Complementary system items: page 144

**66 IB RANGE**

Vertical watertight interlocked socket-outlets without back with fuse-holder base - 50/60Hz - IP 55

Gewiss code	Nominal current In (A)	No. poles	Nominal voltage Un (V)	Reference h	Pack/ Carton Qty.
GW 66 323	16 Fuse-holder base E18	2P + $\perp$	110 ↗/100 - ↘/130	4	1/12
GW 66 324		3P + $\perp$		4	1/12
GW 66 325		3P + N + $\perp$	4	1/12	
GW 66 326		2P + $\perp$	6	1/12	
GW 66 327		3P + $\perp$	220 ↗/200 - ↘/250	9	1/12
GW 66 328		3P + N + $\perp$	9	1/12	
GW 66 329		2P + $\perp$	380 ↗/380 - ↘/415	9	1/12
GW 66 330		3P + $\perp$	6	1/12	
GW 66 331		3P + N + $\perp$	6	1/12	
GW 66 332		3P + $\perp$	500	7	1/12
GW 66 333	3P + N + $\perp$	↗/480 - ↘/500	7	1/12	
GW 66 334	32 Fuse-holder base E18	2P + $\perp$	110 ↗/100 - ↘/130	4	1/12
GW 66 335		3P + $\perp$		4	1/12
GW 66 336		3P + N + $\perp$	4	1/12	
GW 66 337		2P + $\perp$	6	1/12	
GW 66 338		3P + $\perp$	220 ↗/200 - ↘/250	9	1/12
GW 66 339		3P + N + $\perp$	9	1/12	
GW 66 340		2P + $\perp$	380 ↗/380 - ↘/415	9	1/12
GW 66 341		3P + $\perp$	6	1/12	
GW 66 342		3P + N + $\perp$	6	1/12	
GW 66 343		3P + $\perp$	500	7	1/12
GW 66 344	3P + N + $\perp$	↗/480 - ↘/500	7	1/12	
GW 66 358		3P + $\perp$	380 / 440	3	1/12
GW 66 345	63 Fuse-holder base E18	2P + $\perp$	110 ↗/100 - ↘/130	4	1/4
GW 66 346		3P + $\perp$		4	1/4
GW 66 347		3P + N + $\perp$	4	1/4	
GW 66 348		2P + $\perp$	6	1/4	
GW 66 349		3P + $\perp$	220 ↗/200 - ↘/250	9	1/4
GW 66 350		3P + N + $\perp$	9	1/4	
GW 66 351		2P + $\perp$	9	1/4	
GW 66 352		3P + $\perp$	380 ↗/380 - ↘/415	6	1/4
GW 66 353		3P + N + $\perp$	6	1/4	
GW 66 354		3P + $\perp$	500	7	1/4
GW 66 355	3P + N + $\perp$	↗/480 - ↘/500	7	1/4	

**66 IB RANGE**

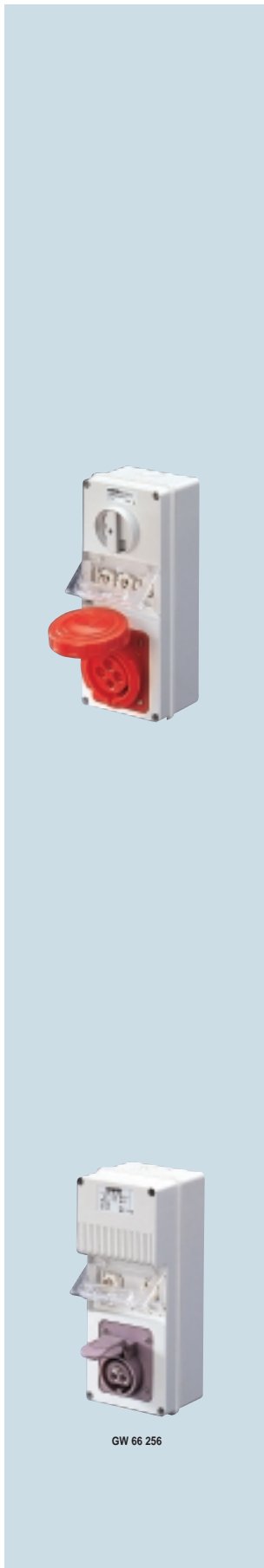
Vertical socket-outlet without back with safety transformer (SELV) 230V / 24V - 50Hz - IP 44

Gewiss code	Nominal current In (A)	No. poles	Output voltage (V)	Power (VA)	Fuse-holder base	Pack/ Carton Qty.
GW 66 356	16	2P	24	160	E14	1/4

ACCESSORIES SUPPLIED: Fuses (2A for primary and 6A for secondary).

Vertical watertight interlocked socket-outlets with fuse-holder base - IP 55

- Possibility of mounting on:
- Wall
  - Q-BOX distribution boards



**66 IB RANGE**

Vertical watertight interlocked socket-outlets with back and fuse-holder base - 50/60Hz - IP 55

Gewiss code	Nominal current In (A)	No. poles	Nominal voltage Un (V)	Ref. h	Superior cable gland (supplied)	Pack/ Carton Qty.
GW66 223	16	2P + $\text{⏚}$	110 +/100 - +/130	4	Pg 29	1/12
GW66 224		3P + $\text{⏚}$		4		1/12
GW66 225		3P + N + $\text{⏚}$		4		1/12
GW66 226	16	2P + $\text{⏚}$	220 +/200 - +/250	6	Pg 29	1/12
GW66 227		3P + $\text{⏚}$		9		1/12
GW66 228		3P + N + $\text{⏚}$		9		1/12
GW66 229	32	2P + $\text{⏚}$	380 +/380 - +/415	9	Pg 36	1/12
GW66 230		3P + $\text{⏚}$		6		1/12
GW66 231		3P + N + $\text{⏚}$		6		1/12
GW66 232	32	3P + $\text{⏚}$	500 +/480 - +/500	7	Pg 36	1/12
GW66 233		3P + N + $\text{⏚}$		7		1/12
GW66 234		2P + $\text{⏚}$		4		1/12
GW66 235	32	3P + $\text{⏚}$	110 +/100 - +/130	4	Pg 29	1/12
GW66 236		3P + N + $\text{⏚}$		4		1/12
GW66 237		2P + $\text{⏚}$		6		1/12
GW66 238	32	3P + $\text{⏚}$	220 +/200 - +/250	9	Pg 36	1/12
GW66 239		3P + N + $\text{⏚}$		9		1/12
GW66 240		2P + $\text{⏚}$		9		1/12
GW66 241	32	3P + $\text{⏚}$	380 +/380 - +/415	6	Pg 36	1/12
GW66 242		3P + N + $\text{⏚}$		6		1/12
GW66 243		3P + $\text{⏚}$		7		1/12
GW66 244	32	3P + N + $\text{⏚}$	500 +/480 - +/500	7	Pg 36	1/12
GW66 258		3P + $\text{⏚}$		3		1/12
GW67 245		2P + $\text{⏚}$		4		1/4
GW67 246	63	3P + $\text{⏚}$	110 +/100 - +/130	4	Pg 29	1/4
GW67 247		3P + N + $\text{⏚}$		4		1/4
GW67 248		2P + $\text{⏚}$		6		1/4
GW67 249	63	3P + $\text{⏚}$	220 +/200 - +/250	9	Pg 36	1/4
GW67 250		3P + N + $\text{⏚}$		9		1/4
GW67 251		2P + $\text{⏚}$		9		1/4
GW67 252	63	3P + $\text{⏚}$	380 +/380 - +/415	6	Pg 36	1/4
GW67 253		3P + N + $\text{⏚}$		6		1/4
GW67 254		3P + $\text{⏚}$		7		1/4
GW67 255	63	3P + N + $\text{⏚}$	500 +/480 - +/500	7	Pg 36	1/4
GW67 255		3P + N + $\text{⏚}$		7		1/4

ACCESSORIES SUPPLIED: No. 4 insulating screwcaps Ø 25 mm.

**66 IB RANGE**

Vertical socket-outlet with back with safety transformer (SELV) - 230V / 24V - 50Hz - IP 44

Gewiss code	Nominal current In (A)	No. poles	Output voltage (V)	Power (VA)	Superior cable gland (supplied)	Fuse-holder base	Pack/ Carton Qty.
GW66 256	16	2P	24	160	Pg 29	E14	1/4

ACCESSORIES SUPPLIED: Fuses (2A for primary and 6A for secondary).  
No. 4 screwcaps of insulating material Ø 25 mm.

GW 66 256



(for fuse table, see page 175)

# 66/67 IB RANGE INTERLOCKED SOCKET-OUTLETS TO IEC 309 STANDARDS

Complementary items for surface-mounting for C.B.F. vertical interlocked socket-outlets - IP 55

## Back-mounting boxes



## Back-mounting boxes with flanged lid



## Back-mounting boxes complete with socket-outlets



## Modular bases



Technical sheets:	pages 148-149
Technical sheets:	pages 279-281
Dimensions:	pages 284-286
Complementary system items:	page 144

## 66 IB RANGE

Back-mounting watertight boxes for vertical interlocked socket-outlets without back - IP 55

Gewiss code	Interlocked sockets mountable		No. entries top / bottom			Pack/ Carton Qty.
	No.	Type	Ø 23	Ø 29 / 37	Ø 37 / 47	
<b>GW 66 679</b>	1	16/32A C.B.F.	2	1	-	1/10
<b>GW 66 680</b>		63A C.B.F.	-	2	1	1/10

Back-mounting watertight boxes with flanged lid complete with socket-outlets - IP 55

Gewiss code	Modular with interlocked sockets	No. socket-outlets 16A		No. entries top / bottom		Pack/ Carton Qty.
		No. sockets	Cover type	Ø 23	Ø 29/37	
<b>GW 66 742</b>	C.B.F.	2	75 x 85 mm 80 x 95 mm COMBI-IN Range IEC 309 Range	2	1	1/10

ACCESSORIES SUPPLIED: blank cover, 2 gaskets and 8 mounting screws.

Back-mounting watertight boxes with flanged lid complete with socket-outlets - IP 55

Gewiss code	Modular with interlocked socket-outlets	No. socket-outlets 16A			No. entries top / bottom		Pack/ Carton Qty.
		IEC 309	Italian/German standard	Ø 23	Ø 29/37		
<b>GW 66 754</b>	C.B.F.	2	-	-	2	1	1/6
<b>GW 66 755</b>		1	1	-	2	1	1/6
<b>GW 66 756</b>		1	-	1	2	1	1/6

Modular bases for mounting a bank of vertical watertight interlocked socket-outlets without a bottom with fuse-holder base IP 55 and socket-outlets with safety transformer (SELV) - IP 44

Gewiss code	Interlocked socket-outlets mountable		No. entries top / bottom			No. entries side Ø 23 mm	Pack/ Carton Qty.
	No.	Type	Ø 23 / 29	Ø 29 / 37	Ø 37 / 48		
<b>GW 66 689</b>	1	16/32A SELV C.B.F.	2	/	/	2	1/ 6
<b>GW 66 692</b>	2		4	1	/	4	1/ 6
<b>GW 66 695</b>	3		5	1	/	2	1/ 6
<b>GW 66 693</b>	1	63A C.B.F.	/	/	2	6	1/12

ACCESSORIES SUPPLIED: 1 coupler for combined mounting.

GW 66 695, blank lid for socket-outlet compartment.

CHARACTERISTICS: Possibility of multiple combinations of several modular bases by using the coupler GW 26 406.

C.B.F.: With fuse-holder base.

Complementary items for flush-mounting for C.B.F. vertical interlocked socket-outlets - IP 55

**Flush-mounting boxes**



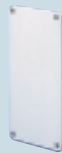
**Flush-mounting boxes with flanged lid**



**Flush-mounting boxes complete with socket-outlets**



**Blanking lid**



**Flanged lids fitted for 2 covers**



**Flanged lids complete with socket-outlets**



**Covers 75 x 85 mm**



**66 IB RANGE**

Flush-mounting boxes with frame for vertical interlocked socket-outlets - IP 55 and socket-outlets with safety transformer (SELV) - IP 44

Gewiss code	Interlocked socket-outlets mountables		Pack/ Carton Qty.
	No.	Type	
<b>GW 66 684</b>	1	16/32A SELV / C.B.F.	1/10

Flush-mounting watertight boxes with frame and flanged lid fitted for 2 covers - IP 55

Gewiss code	Modular with interlocked socket-outlets	Devices mountable		Pack/ Carton Qty.
		No. Dimensions	Covers type	
<b>GW 66 744</b>	C.B.F.	2 - 75 x 85 mm 80 x 95 mm	COMBI-IN Range IEC 309 Range	1/10

ACCESSORIES SUPPLIED: blank cover, 2 gaskets and 8 mounting screws.

Flush-mounting watertight boxes with flanged lid complete with socket-outlets - IP 55

Gewiss code	Modular with interlocked socket-outlets	No. socket-outlets 16A			Pack/ Carton Qty.
		IEC 309	Italian/German standard		
		2P+T/220V	3P+T/380V		
<b>GW 66 764</b>	[ ]	2	-	-	1/6
<b>GW 66 765</b>	C.B.F.	1	1	-	1/6
<b>GW 66 766</b>	[ ]	1	-	1	1/6

Blank lids closing interlocked socket-outlet compartment - IP 55

Gewiss code	For distribution boards Q-DIN	For modular bases	For bottom enclosures	For flush-mounting enclosures	Pack/ Carton Qty.
	<b>GW 66 704</b>	GW 68 011 GW 68 016	GW 66 692	GW 66 679	

Flanged lids for vertical watertight socket-outlets fitted for 2 covers - IP 55

Gewiss code	Modular with interlocked socket-outlets	Devices mountable		Pack/ Carton Qty.
		No. Dimensions	Covers type	
<b>GW 66 710</b>	C.B.F.	2 - 75 x 85 mm 80 x 95 mm	COMBI-IN Range IEC 309 Range	1/10

ACCESSORIES SUPPLIED: blank cover, 2 gaskets and 8 mounting screws.  
APPLICATIONS: Possibility of mounting on distribution boards Q-DIN, modular bases, bottom enclosures and flush-mounting enclosures.

Flanged lids for watertight vertical socket-outlets complete with sockets - IP 55

Gewiss code	Modular with interlocked socket-outlets	No. socket-outlets 16A			Pack/ Carton Qty.
		IEC 309	Italian/German standard		
		2P+T/220V	3P+T/380V		
<b>GW 66 774</b>	[ ]	2	-	-	1/6
<b>GW 66 775</b>	C.B.F.	1	1	-	1/6
<b>GW 66 776</b>	[ ]	1	-	1	1/6

Watertight covers fitted for 1 push-button/indicator Ø 22 mm - IP 66

Gewiss code	Equipment mountable		Colour	Pack/ Carton Qty.	
	No. Dimensions	Type			
<b>GW 66 708</b>	1	75 x 85 mm.	Push-buttons Ø 22 mm	Grey	1/20
<b>GW 66 745</b>	[ ]		74 PS Range	Yellow	1/20

ACCESSORIES SUPPLIED: Washer and assembly screws.  
APPLICATIONS: GW 66 745, specific for mounting emergency buttons.  
Possibility of mounting on distribution boards Q-DIN, PTC junction boxes, flanged lids and panels.

C.B.F.: with fuse-holder base

# 66/67 IB RANGE INTERLOCKED SOCKET-OUTLETS TO IEC 309 STANDARDS

Watertight interlocked vertical socket-outlets without back. Suitable for heavy-duty use - IP 66

## Possibility of mounting on:

- Modular base
- Back-mounting boxes



Suitable for compositions with modular bases with panel with window containing the protection devices.



(for fuse table, see page 175)



## 66 IB RANGE

Watertight interlocked vertical socket-outlets without back - 50/60Hz - IP 66

Gewiss code	Nominal current In (A)	No. poles	Nominal voltage Un (V)	Ref. h	Pack/ Carton Qty.
GW 66 535	16	2P + $\perp$	110 ↗/100 - ↘/130	4	1/6
GW 66 536		3P + $\perp$		4	1/6
GW 66 537		3P + N + $\perp$	4	1/6	
GW 66 538		2P + $\perp$	220 ↗/200 - ↘/250	6	1/6
GW 66 539		3P + $\perp$		9	1/6
GW 66 540		3P + N + $\perp$	9	1/6	
GW 66 541		2P + $\perp$	380 ↗/380 - ↘/415	9	1/6
GW 66 542		3P + $\perp$		6	1/6
GW 66 543		3P + N + $\perp$	6	1/6	
GW 66 544		3P + $\perp$	500 ↗/480 - ↘/500	7	1/6
GW 66 545		3P + N + $\perp$		7	1/6
GW 66 546		32	2P + $\perp$	110 ↗/100 - ↘/130	4
GW 66 547	3P + $\perp$		4		1/6
GW 66 548	3P + N + $\perp$		4	1/6	
GW 66 549	2P + $\perp$		220 ↗/200 - ↘/250	6	1/6
GW 66 550	3P + $\perp$			9	1/6
GW 66 551	3P + N + $\perp$		9	1/6	
GW 66 552	2P + $\perp$		380 ↗/380 - ↘/415	9	1/6
GW 66 553	3P + $\perp$			6	1/6
GW 66 554	3P + N + $\perp$		6	1/6	
GW 66 555	3P + $\perp$		500 ↗/480 - ↘/500	7	1/6
GW 66 556	3P + N + $\perp$			7	1/6
GW 66 557	3P + $\perp$		380 / 440	3	1/6

## 66 IB RANGE

Vertical watertight interlocked socket-outlets without base for mounting fuseholder - 50/60Hz - IP 66

Gewiss code	Nominal current In (A)	No. poles	Nominal voltage Un (V)	Ref. h	Pack/ Carton Qty.
GW 66 801	16 Fuse- holder base Ø 10.3x38 mm	2P + $\perp$	110 ↗/100 - ↘/130	4	1/6
GW 66 802		3P + $\perp$		4	1/6
GW 66 803		3P + N + $\perp$	4	1/6	
GW 66 804		2P + $\perp$	220 ↗/200 - ↘/250	6	1/6
GW 66 805		3P + $\perp$		9	1/6
GW 66 806		3P + N + $\perp$	9	1/6	
GW 66 807		2P + $\perp$	380 ↗/380 - ↘/415	9	1/6
GW 66 808		3P + $\perp$		6	1/6
GW 66 809		3P + N + $\perp$	6	1/6	
GW 66 810		3P + $\perp$	500 ↗/480 - ↘/500	7	1/6
GW 66 811		3P + N + $\perp$		7	1/6
GW 66 812		32 Fuse- holder base Ø 10.3x38 mm	2P + $\perp$	110 ↗/100 - ↘/130	4
GW 66 813	3P + $\perp$		4		1/6
GW 66 814	3P + N + $\perp$		4	1/6	
GW 66 815	2P + $\perp$		220 ↗/200 - ↘/250	6	1/6
GW 66 816	3P + $\perp$			9	1/6
GW 66 817	3P + N + $\perp$		9	1/6	
GW 66 818	2P + $\perp$		380 ↗/380 - ↘/415	9	1/6
GW 66 819	3P + $\perp$			6	1/6
GW 66 820	3P + N + $\perp$		6	1/6	
GW 66 821	3P + $\perp$		500 ↗/480 - ↘/500	7	1/6
GW 66 822	3P + N + $\perp$			7	1/6
GW 66 823	3P + $\perp$		380 / 440	3	1/6

Selection guide:	pages 148-149
Complementary items:	page 171
Technical sheets:	page 281
Dimensions:	pages 286-287
Complementary system items:	page 144
Characteristics and advantages:	page 145

**Possibility of mounting on:**

- Modular bases
- Back-mounting boxes



(for fuse table, see page 175)

**66 IB RANGE**

Vertical watertight interlocked socket-outlets without back with fuse-holder base - 50/60Hz - IP 66

Gewiss code	Nominal current In (A)	No. poles	Nominal voltage Un (V)	Ref. h	Pack/ Carton Qty.
GW66 824	16 Fitted for 6 modules 17.5 mm	2P + $\pm$	110 +/100 - +/130	4	1/6
GW66 825		3P + $\pm$		4	1/6
GW66 826		3P + N + $\pm$	4	1/6	
GW66 827		2P + $\pm$	220 +/200 - +/250	6	1/6
GW66 828		3P + $\pm$		9	1/6
GW66 829		3P + N + $\pm$	9	1/6	
GW66 830		2P + $\pm$	380 +/380 - +/415	9	1/6
GW66 831		3P + $\pm$		6	1/6
GW66 832		3P + N + $\pm$	6	1/6	
GW66 833		3P + $\pm$	500 +/480 - +/500	7	1/6
GW66 834		3P + N + $\pm$		7	1/6
GW66 835		2P + $\pm$	110 +/100 - +/130	4	1/6
GW66 836		3P + $\pm$		4	1/6
GW66 837		3P + N + $\pm$	4	1/6	
GW66 838		2P + $\pm$	220 +/200 - +/250	6	1/6
GW66 839		3P + $\pm$		9	1/6
GW66 840	3P + N + $\pm$	9	1/6		
GW66 841	32 Fitted for 6 modules 17.5 mm	2P + $\pm$	380 +/380 - +/415	9	1/6
GW66 842		3P + $\pm$		6	1/6
GW66 843		3P + N + $\pm$	6	1/6	
GW66 844		3P + $\pm$	500 +/480 - +/500	7	1/6
GW66 845		3P + N + $\pm$		7	1/6
GW66 846		3P + $\pm$	380 / 440	3	1/6

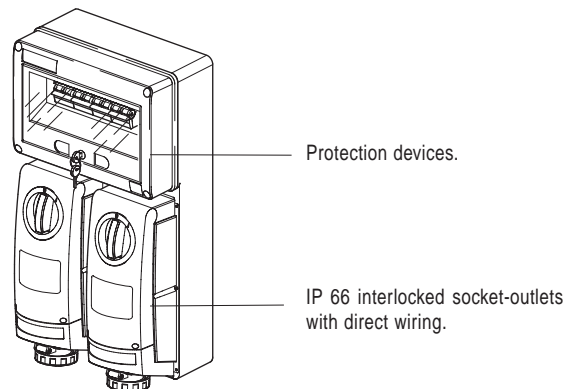
**66 IB RANGE**

Vertical socket-outlet without back with safety transformer (SELV) 230V / 24V - 50/60Hz - IP 44

Gewiss code	Nominal current In (A)	No. poles	Output voltage (V)	Power (VA)	Fuse-holder base	Pack/ Carton Qty.
GW66 885	16	2P	24	160	for fuses Ø 10.3x38	1/4

**APPLICATION SOLUTIONS**

The modular base with panel with window permits installing protection devices upstream from the vertical interlocked socket-outlets.



# 66/67 IB RANGE INTERLOCKED SOCKET-OUTLETS TO IEC 309 STANDARDS

Watertight interlocked vertical socket-outlets with back. Suitable for heavy-duty use - IP 66

## Possible to mount on:

- Surface
- Modular bases

(63A versions)



Suitable for single installations where the socket-outlet protection devices are upstream.



## 66 IB RANGE

Watertight interlocked vertical socket-outlets with back - 50/60Hz - IP 66

Gewiss code	Nominal current In (A)	No. poles	Nominal voltage Un (V)	Ref. h	Pack/ Carton Qty.
GW 66 501	16	2P + $\perp$	110 ↗/100 - ↘/130	4	1/6
GW 66 502		3P + $\perp$		4	1/6
GW 66 503		3P + N + $\perp$	4	1/6	
GW 66 504		2P + $\perp$	220 ↗/200 - ↘/250	6	1/6
GW 66 505		3P + $\perp$		9	1/6
GW 66 506		3P + N + $\perp$	9	1/6	
GW 66 507		2P + $\perp$	380 ↗/380 - ↘/415	9	1/6
GW 66 508		3P + $\perp$		6	1/6
GW 66 509		3P + N + $\perp$	6	1/6	
GW 66 510		3P + $\perp$	500 ↗/480 - ↘/500	7	1/6
GW 66 511		3P + N + $\perp$		7	1/6
GW 66 512		32	2P + $\perp$	110 ↗/100 - ↘/130	4
GW 66 513	3P + $\perp$		4		1/6
GW 66 514	3P + N + $\perp$		4	1/6	
GW 66 515	2P + $\perp$		220 ↗/200 - ↘/250	6	1/6
GW 66 516	3P + $\perp$			9	1/6
GW 66 517	3P + N + $\perp$		9	1/6	
GW 66 518	2P + $\perp$		380 ↗/380 - ↘/415	9	1/6
GW 66 519	3P + $\perp$			6	1/6
GW 66 520	3P + N + $\perp$		6	1/6	
GW 66 521	3P + $\perp$		500 ↗/480 - ↘/500	7	1/6
GW 66 522	3P + N + $\perp$			7	1/6
GW 66 523	3P + $\perp$		380 / 440	3	1/6
GW 66 524	63	2P + $\perp$	110 ↗/100 - ↘/130	4	1/3
GW 66 525		3P + $\perp$		4	1/3
GW 66 526		3P + N + $\perp$	4	1/3	
GW 66 527		2P + $\perp$	220 ↗/200 - ↘/250	6	1/3
GW 66 528		3P + $\perp$		9	1/3
GW 66 529		3P + N + $\perp$	9	1/3	
GW 66 530		2P + $\perp$	380 ↗/380 - ↘/415	9	1/3
GW 66 531		3P + $\perp$		6	1/3
GW 66 532		3P + N + $\perp$	6	1/3	
GW 66 533		3P + $\perp$	500 ↗/480 - ↘/500	7	1/3
GW 66 534		3P + N + $\perp$		7	1/3

Selection guide: pages 148-149

Complementary items: page 171

Technical sheets: page 281

Dimensions: pages 286-287

Complementary system items: page 144

Characteristics and advantages: page 145

**Possibility of mounting on:**

- Wall
- Modular bases  
(63A versions)



(for fuse table, see page 175)

**66 IB RANGE**

Vertical watertight interlocked socket-outlets  
with back and fuse-holder base - 50/60Hz - IP 66

Gewiss code	Nominal current In (A)	No. poles	Nominal voltage Un (V)	Ref. h	Pack/ Carton Qty.
GW66 951	16 Fuse-holder base Ø 10.3x38 mm	2P + $\text{⏏}$	110 +/100 - +/130	4	1/6
GW66 952		3P + $\text{⏏}$		4	1/6
GW66 953		3P + N + $\text{⏏}$		4	1/6
GW66 954		2P + $\text{⏏}$	220 +/200 - +/250	6	1/6
GW66 955		3P + $\text{⏏}$		9	1/6
GW66 956		3P + N + $\text{⏏}$		9	1/6
GW66 957		2P + $\text{⏏}$	380 +/380 - +/415	9	1/6
GW66 958		3P + $\text{⏏}$		6	1/6
GW66 959		3P + N + $\text{⏏}$		6	1/6
GW66 960		3P + $\text{⏏}$	500 +/480 - +/500	7	1/6
GW66 961	3P + N + $\text{⏏}$	7		1/6	
GW66 962	32 Fuse-holder base Ø 10.3x38 mm	2P + $\text{⏏}$	110 +/100 - +/130	4	1/6
GW66 963		3P + $\text{⏏}$		4	1/6
GW66 964		3P + N + $\text{⏏}$		4	1/6
GW66 965		2P + $\text{⏏}$	220 +/200 - +/250	6	1/6
GW66 966		3P + $\text{⏏}$		9	1/6
GW66 967		3P + N + $\text{⏏}$		9	1/6
GW66 968		2P + $\text{⏏}$	380 +/380 - +/415	9	1/6
GW66 969		3P + $\text{⏏}$		6	1/6
GW66 970		3P + N + $\text{⏏}$		6	1/6
GW66 971		3P + $\text{⏏}$	500 +/480 - +/500	7	1/6
GW66 972	3P + N + $\text{⏏}$	7		1/6	
GW66 973	3P + $\text{⏏}$	380 / 440	3	1/6	
GW66 847	63 Fuse-holder base Ø 22x58 mm	2P + $\text{⏏}$	110 +/100 - +/130	4	1/3
GW66 848		3P + $\text{⏏}$		4	1/3
GW66 849		3P + N + $\text{⏏}$		4	1/3
GW66 850		2P + $\text{⏏}$	220 +/200 - +/250	6	1/3
GW66 851		3P + $\text{⏏}$		9	1/3
GW66 852		3P + N + $\text{⏏}$		9	1/3
GW66 853		2P + $\text{⏏}$	380 +/380 - +/415	9	1/3
GW66 854		3P + $\text{⏏}$		6	1/3
GW66 855		3P + N + $\text{⏏}$		6	1/3
GW66 856		3P + $\text{⏏}$	500 +/480 - +/500	7	1/3
GW66 857	3P + N + $\text{⏏}$	7		1/3	



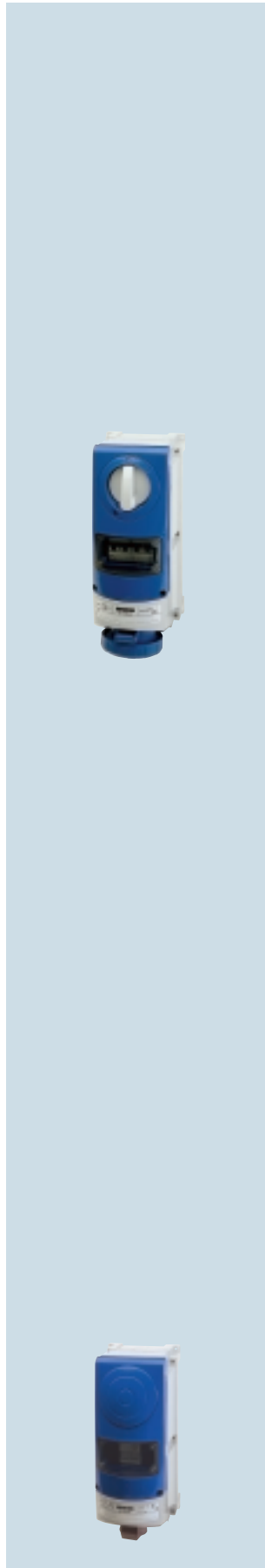
# 66/67 IB RANGE INTERLOCKED SOCKET-OUTLETS TO IEC 309 STANDARDS

Watertight interlocked vertical socket-outlets with back. Suited to heavy-duty applications - IP 66

## Possibility of mounting on:

- Wall
- Modular bases

(63A versions)



## 66 IB RANGE

Vertical watertight interlocked socket-outlets with back and modules - 50/60Hz - IP 66

Gewiss code	Nominal current In (A)	No. poles	Nominal voltage Un (V)	Ref. h	Pack/ Carton Qty.	
GW 66 974	16 Fitted for 6 modules 17.5 mm	2P + $\perp$	110 ↗/100 - ↘/130	4	1/6	
GW 66 975		3P + $\perp$		4	1/6	
GW 66 976		3P + N + $\perp$	4	1/6		
GW 66 977		2P + $\perp$	220 ↗/200 - ↘/250	6	1/6	
GW 66 978		3P + $\perp$		9	1/6	
GW 66 979		3P + N + $\perp$		9	1/6	
GW 66 980		32 Fitted for 6 modules 17.5 mm	2P + $\perp$	380 ↗/380 - ↘/415	9	1/6
GW 66 981			3P + $\perp$		6	1/6
GW 66 982			3P + N + $\perp$	6	1/6	
GW 66 983			3P + $\perp$	500 ↗/480 - ↘/500	7	1/6
GW 66 984			3P + N + $\perp$		7	1/6
GW 66 985			2P + $\perp$		4	1/6
GW 66 986	63 Fitted for 6 modules 17.5 mm		3P + $\perp$	110 ↗/100 - ↘/130	4	1/6
GW 66 987			3P + N + $\perp$		4	1/6
GW 66 988			2P + $\perp$	220 ↗/200 - ↘/250	6	1/6
GW 66 989			3P + $\perp$		9	1/6
GW 66 990			3P + N + $\perp$		9	1/6
GW 66 991			63 Fitted for 6 modules 17.5 mm	2P + $\perp$	380 ↗/380 - ↘/415	9
GW 66 992		3P + $\perp$		6		1/6
GW 66 993		3P + N + $\perp$		6	1/6	
GW 66 994		3P + $\perp$		500 ↗/480 - ↘/500	7	1/6
GW 66 995		3P + N + $\perp$			7	1/6
GW 66 996		3P + $\perp$			3	1/6
GW 66 996				3P + $\perp$	380 / 440	3
GW 66 866	63 Fitted for 6 modules 17.5 mm	2P + $\perp$		110 ↗/100 - ↘/130	4	1/3
GW 66 867		3P + $\perp$			4	1/3
GW 66 868		3P + N + $\perp$		4	1/3	
GW 66 869		2P + $\perp$		220 ↗/200 - ↘/250	6	1/3
GW 66 870		3P + $\perp$			9	1/3
GW 66 871		3P + N + $\perp$	9		1/3	
GW 66 872		63 Fitted for 6 modules 17.5 mm	2P + $\perp$	380 ↗/380 - ↘/415	9	1/3
GW 66 873			3P + $\perp$		6	1/3
GW 66 874			3P + N + $\perp$	6	1/3	
GW 66 875			3P + $\perp$	500 ↗/480 - ↘/500	7	1/3
GW 66 876			3P + N + $\perp$		7	1/3

CHARACTERISTICS: Equipped with top and bottom centres to make the holes for mounting the cable glands (63A version) and (125A version), also for C.B.F. version

## 66 IB RANGE

Protected vertical socket-outlet with back with safety transformer (SELV) 230V / 24V - 50/60Hz - IP 44

Gewiss code	Nominal current In (A)	No. poles	Output voltage (V)	Power (VA)	Fuse-holder base	Pack/ Carton Qty.
GW 66 997	16	2P	24	160	for fuses Ø 10.3x38	1/4

Selection guide:	pages 148-149
Technical sheets:	page 281
Dimensions:	pages 286-287
Complementary system items:	page 144
Characteristics and advantages:	page 145

## Complementary items for interlocked socket-outlets - IP 66

### Back-mounting boxes



### Modular bases

### Modular bases with panel with window for rail EN 50022



GWTEST SOFTWARE  
(see page 322)

### Blank lid

### Flanged lid

EURODOMO Cat.



### Flanged lids complete with socket-outlets



### 66 IB RANGE

Back-mounting watertight boxes  
for vertical interlocked socket-outlets without back - IP 66

Gewiss code	Interlocked socket-outlets IP 66 mountable		Pack/ Carton Qty.
	No.	Type	
<b>GW 66 685</b>	1	16/32A 16A SELV	1/10

**CHARACTERISTICS:** Equipped with top and bottom centres to make the holes for mounting the cable glands.

Modular bases for mounting a bank of vertical watertight interlocked socket-outlets without back - IP 66

Gewiss code	Interlocked socket-outlets IP 66 mountable		No. entries top/bottom			No. entries side	Pack/ Carton Qty.
	No.	Type	Ø 23 / 29	Ø 29 / 37	Ø 37 / 48	Ø 23 mm	
<b>GW 66 696</b>	1	16/32A SELV	2	/	/	2	1/6
<b>GW 66 697</b>	2		4	1	/	4	1/4
<b>GW 66 698</b>	3		5	1	/	2	1/2
<b>GW 66 700</b>	1	63A*	/	/	2	6	1/6

\* Installation of the 63A version possible after removing the socket-outlet back.

Modular bases with panel with window for rail EN 50022 - IP 66

Gewiss code	Mountable IP 66 interlocked		No. entries top/bottom		No. side entries	No. modules EN 50022	Dispersable power	Pack/ Carton Qty.	
	N.	Type	Ø 23/29	Ø 29/37	Ø 37/48	Ø 23 mm	(CEI 23-49) (W)		
<b>GW 66 781</b>	1	16/32A SELV	2	/	/	2	6	18	1/6
<b>GW 66 782</b>	2		4	1	/	4	12	27	1/4
<b>GW 66 783</b>	3		5	1	/	2	18	34	1/2
<b>GW 66 784</b>	1	63A*	/	/	2	6	6	18	1/6

\* Installation of 63A version possible after removing the socket-outlet back.

**CHARACTERISTICS:** Possible to install security cylinder lock GW 40 422, complete with 2 keys.

Blank lid closing interlocked socket-outlet compartment - IP 66

Gewiss code	Interlocked socket-outlet - IP 66 type	Pack/ Carton Qty.
<b>GW 66 706</b>	16/32A	1/10

**APPLICATIONS:** Can be mounted on modular bases and back-mounting boxes IP 66.

Flanged lid fitted for 2 covers - IP 66

Gewiss code	Interlocked socket-outlets IP 66 - type	No.	Dimensions	Devices mountable		Pack/ Carton Qty.
				Cover type		
<b>GW 66 707</b>	16/32A	2	75 x 85 mm 80 x 95 mm	COMBI-IN Range IEC 309 Range		1/10

**ACCESSORIES SUPPLIED:** Blank cover, gasket and 8 screws.

**APPLICATIONS:** Can be mounted on modular bases and back-mounting boxes IP 66.

Flanged lids for watertight vertical socket-outlets complete with sockets - IP 66

Gewiss code	No. socket-outlets 16A			Pack/ Carton Qty.
	IEC 309		Italian/German standard	
	2P+T/220V	3P+T/380V		
<b>GW 66 791</b>	2	-	-	1/6
<b>GW 66 792</b>	1	1	-	1/6
<b>GW 66 793*</b>	1	-	1	1/6

\* IP 55

# 66/67 IB RANGE INTERLOCKED SOCKET-OUTLETS TO IEC 309 STANDARDS

Vertical watertight interlocked socket-outlets - IP 56

Possibility of mounting on:

- Wall
- Modular bases



(for fuse table, see page 175)

## 66/67 IB RANGE

Vertical watertight interlocked socket-outlets with back for mounting modular components - 50/60Hz - IP 56

Gewiss code	Nominal current In (A)	No. poles	Nominal voltage Un (V)	Ref. h	Superior cable gland (supplied)	Pack/ Carton Qty.
GW 66 601	16 Fitted for 5 modules 17.5 mm	2P + $\perp$	110 $\rightarrow/100 - \rightarrow/130$	4	Pg 21	1/6
GW 66 602		3P + $\perp$		4		1/6
GW 66 603		3P + N + $\perp$	4	1/6		
GW 66 604		2P + $\perp$	220 $\rightarrow/200 - \rightarrow/250$	6		1/6
GW 66 605		3P + $\perp$		9		1/6
GW 66 606		3P + N + $\perp$	9	1/6		
GW 66 607		2P + $\perp$	380 $\rightarrow/380 - \rightarrow/415$	9		1/6
GW 66 608		3P + $\perp$		6		1/6
GW 66 609		3P + N + $\perp$		6		1/6
GW 66 610		3P + $\perp$	500 $\rightarrow/480 - \rightarrow/500$	7		1/6
GW 66 611		3P + N + $\perp$		7		1/6
GW 66 612		32 Fitted for 6 modules 17.5 mm	2P + $\perp$	110 $\rightarrow/100 - \rightarrow/130$		4
GW 66 613	3P + $\perp$		4		1/6	
GW 66 614	3P + N + $\perp$		4	1/6		
GW 66 615	2P + $\perp$		220 $\rightarrow/200 - \rightarrow/250$	6	1/6	
GW 66 616	3P + $\perp$			9	1/6	
GW 66 617	3P + N + $\perp$		9	1/6		
GW 66 618	2P + $\perp$		380 $\rightarrow/380 - \rightarrow/415$	9	1/6	
GW 66 619	3P + $\perp$			6	1/6	
GW 66 620	3P + N + $\perp$			6	1/6	
GW 66 621	3P + $\perp$		500 $\rightarrow/480 - \rightarrow/500$	7	1/6	
GW 66 622	3P + N + $\perp$			7	1/6	
GW 66 674			3P + $\perp$	380 / 440	3	
GW 67 623	63 Fitted for 6 modules 17.5 mm	2P + $\perp$	110 $\rightarrow/100 - \rightarrow/130$	4	Pg 36	1/3
GW 67 624		3P + $\perp$		4		1/3
GW 67 625		3P + N + $\perp$	4	1/3		
GW 67 626		2P + $\perp$	220 $\rightarrow/200 - \rightarrow/250$	6		1/3
GW 67 627		3P + $\perp$		9		1/3
GW 67 628		3P + N + $\perp$	9	1/3		
GW 67 629		2P + $\perp$	380 $\rightarrow/380 - \rightarrow/415$	9		1/3
GW 67 630		3P + $\perp$		6		1/3
GW 67 631		3P + N + $\perp$		6		1/3
GW 67 632		3P + $\perp$	500 $\rightarrow/480 - \rightarrow/500$	7		1/3
GW 67 633		3P + N + $\perp$		7		1/3

## 66 IB RANGE

Vertical socket-outlet with back with safety transformer (SELV) 230V / 24V - 50Hz - IP 44

Gewiss code	Nominal current In (A)	No. poles	Output voltage (V)	Power (VA)	Superior cable gland (supplied)	Fuse-holder base	Pack/ Carton Qty.
GW 66 667	16	2P	24	160	Pg 29	E16	1/4

ACCESSORIES SUPPLIED: Fuses (2A for primary and 6A for secondary).

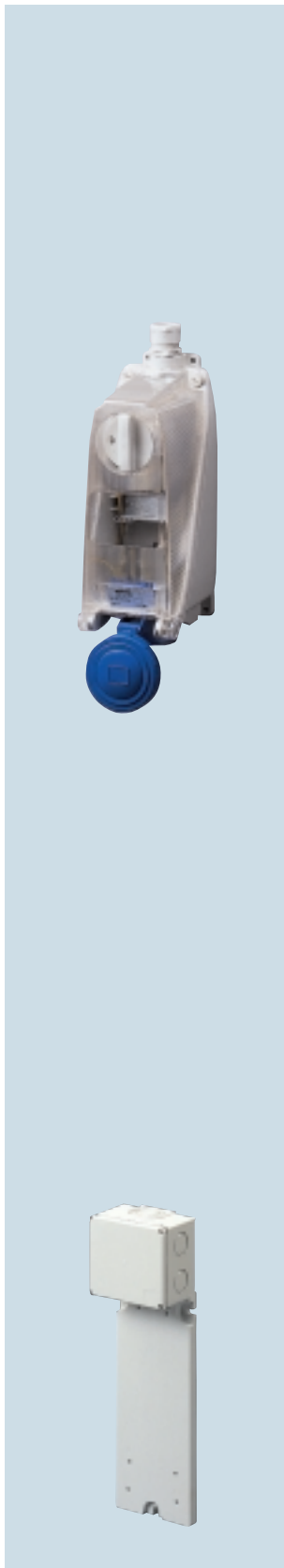
Complementary items: page 173-174

Dimensions: page 287

Complementary system items: page 144

**Possibility of mounting on:**

- Wall
- Modular bases



**66/67 IB RANGE**

Vertical watertight interlocked socket-outlets with back for mounting modular components - 50/60Hz - IP 56

Gewiss code	Nominal current In (A)	No. poles	Nominal voltage Un (V)	Ref. h	Superior cable gland (supplied)	Pack/ Carton Qty.		
GW66 634	16 Fitted for 5 modules 17.5 mm	2P + $\text{⏚}$	110 +/100 - +/130	4	Pg 21	1/6		
GW66 635		3P + $\text{⏚}$		4		1/6		
GW66 636		3P + N + $\text{⏚}$	4	1/6				
GW66 637		2P + $\text{⏚}$	220 +/200 - +/250	6		1/6		
GW66 638		3P + $\text{⏚}$		9		1/6		
GW66 639		3P + N + $\text{⏚}$	9	1/6				
GW66 640		2P + $\text{⏚}$	380 +/380 - +/415	9		1/6		
GW66 641		3P + $\text{⏚}$		6		1/6		
GW66 642		3P + N + $\text{⏚}$	6	1/6				
GW66 643		3P + $\text{⏚}$	500 +/480 - +/500	7		1/6		
GW66 644		3P + N + $\text{⏚}$		7		1/6		
GW66 645		2P + $\text{⏚}$	110 +/100 - +/130	4		1/6		
GW66 646		3P + $\text{⏚}$		4		1/6		
GW66 647		3P + N + $\text{⏚}$		4		1/6		
GW66 648		32 Fitted for 6 modules 17.5 mm	2P + $\text{⏚}$	220 +/200 - +/250		6	Pg 29	1/6
GW66 649			3P + $\text{⏚}$			9		1/6
GW66 650	3P + N + $\text{⏚}$		9	1/6				
GW66 651	2P + $\text{⏚}$		380 +/380 - +/415	9	1/6			
GW66 652	3P + $\text{⏚}$			6	1/6			
GW66 653	3P + N + $\text{⏚}$		6	1/6				
GW66 654	3P + $\text{⏚}$		500 +/480 - +/500	7	1/6			
GW66 655	3P + N + $\text{⏚}$			7	1/6			
GW66 675	3P + $\text{⏚}$		380 / 440	3	1/6			
GW67 656	63 Fitted for 6 modules 17.5 mm		2P + $\text{⏚}$	110 +/100 - +/130	4	Pg 36		1/3
GW67 657		3P + $\text{⏚}$	4		1/3			
GW67 658		3P + N + $\text{⏚}$	4	1/3				
GW67 659		2P + $\text{⏚}$	220 +/200 - +/250	6	1/3			
GW67 660		3P + $\text{⏚}$		9	1/3			
GW67 661		3P + N + $\text{⏚}$	9	1/3				
GW67 662		2P + $\text{⏚}$	380 +/380 - +/415	9	1/3			
GW67 663		3P + $\text{⏚}$		6	1/3			
GW67 664		3P + N + $\text{⏚}$	6	1/3				
GW67 665		3P + $\text{⏚}$	500 +/480 - +/500	7	1/3			
GW67 666		3P + N + $\text{⏚}$		7	1/3			

**Modular bases**

**66 IB RANGE**

Modular bases for back mounting watertight interlocked socket-outlets and safety transformer socket-outlets (SELV) - IP 56

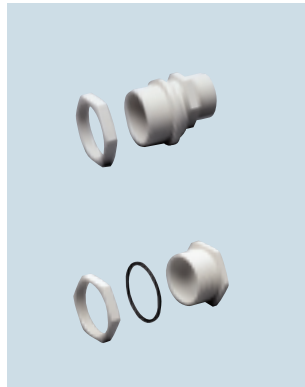
Gewiss code	Interlocked socket-outlets IP 56 mountable		No. entries top $\text{Ø}$ 37 / 48 / 60 mm	No. entries side $\text{Ø}$ 37 mm	Pack/ Carton Qty.
	No.	Type			
GW66 668	1	16/32A SELV	1	4	1/12
GW66 669	2		3		1/ 6
GW66 670	3				1/ 4
GW66 671	1	63A	1	2	1/12

CHARACTERISTICS: The entries  $\text{Ø}$  37 / 48 / 60 mm take respectively cable glands PG 29 / 36 / 48.

# 66/67 IB RANGE INTERLOCKED SOCKET-OUTLETS TO IEC 309 STANDARDS

## Complementary items for interlocked socket-outlets - IP 56

Coupler for modular bases



Watertight coupler for joining modular base and watertight interlocked socket-outlet of 16A - IP 56

Gewiss code	Bottom thread	Top thread	Pack/Carton Qty.
<b>GW 66 672</b>	Pg 21	Pg 29	10/100

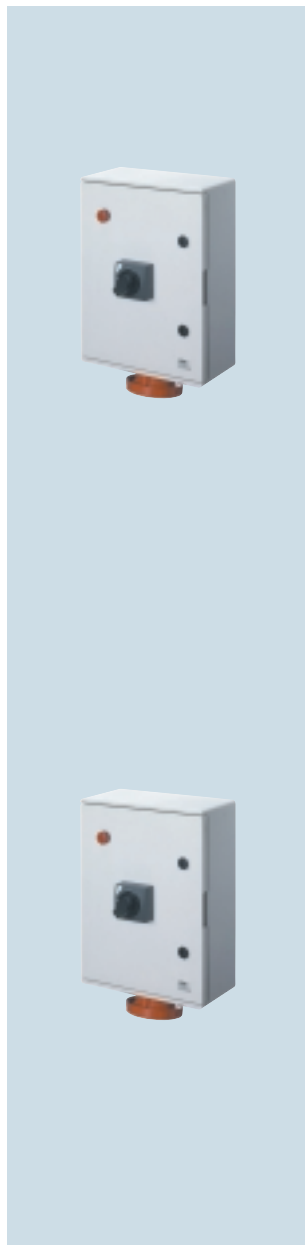
Coupling for modular bases

Coupling for modular bases - IP 56

Gewiss code	Thread	Pack/Carton Qty.
<b>GW 66 673</b>	Pg 29	10/120

## Weatherproof vertical socket-outlets with back and electric interlocking - suitable for heavy duty use - IP 55

With miniature circuit breaker



### 66 IB RANGE

Weatherproof vertical socket-outlets with back and electric interlocking with miniature circuit breaker - In 125A - 50/60Hz - IP 55

	Gewiss code	Nominal current In (A)	No. poles	Nominal Voltage Un (V)	Ref. h	Pack/Carton Qty.
NEW	<b>GW 66 581</b>	125	3P + $\pm$	<b>110 ÷ 130</b>	4	1
NEW	<b>GW 66 582</b>		3P + N + $\pm$	57/100 ÷ 75/139	4	1
NEW	<b>GW 66 583</b>		3P + $\pm$	<b>200 ÷ 250</b>	9	1
NEW	<b>GW 66 584</b>		3P + N + $\pm$	120/208 ÷ 144/250	9	1
NEW	<b>GW 66 585</b>		3P + $\pm$	<b>380 ÷ 415</b>	6	1
NEW	<b>GW 66 586</b>		3P + N + $\pm$	200/346 ÷ 240/415	6	1
NEW	<b>GW 66 587</b>		3P + $\pm$	<b>480 ÷ 500</b>	7	1
NEW	<b>GW 66 588</b>		3P + N + $\pm$	277/480 ÷ 288/500	7	1

CHARACTERISTICS: miniature circuit breaker:

In = 125A  
Curve C  
Icu (380/415V) = 25 KA  
Electrical duration = 10.000 cycles  
Isolation voltage Ui = 690 V  
Terminal capacity:  
• flexible cables: 10 - 50 mm<sup>2</sup>  
• rigid cables: 16 - 70 mm<sup>2</sup>

With miniature circuit breaker/residual current device

### 66 IB RANGE

Weatherproof vertical socket-outlets with back and electric interlocking with miniature circuit breaker/residual current device - In 125A - 50/60Hz - IP 55

	Gewiss code	Nominal current In (A)	No. poles	Nominal Voltage Un (V)	Ref. h	Pack/Carton Qty.
NEW	<b>GW 66 591</b>	125	3P + $\pm$	<b>110 ÷ 130</b>	4	1
NEW	<b>GW 66 592</b>		3P + N + $\pm$	57/100 ÷ 75/139	4	1
NEW	<b>GW 66 593</b>		3P + $\pm$	<b>200 ÷ 250</b>	9	1
NEW	<b>GW 66 594</b>		3P + N + $\pm$	120/208 ÷ 144/250	9	1
NEW	<b>GW 66 595</b>		3P + $\pm$	<b>380 ÷ 415</b>	6	1
NEW	<b>GW 66 596</b>		3P + N + $\pm$	200/346 ÷ 240/415	6	1
NEW	<b>GW 66 597</b>		3P + $\pm$	<b>480 ÷ 500</b>	7	1
NEW	<b>GW 66 598</b>		3P + N + $\pm$	277/480 ÷ 288/500	7	1

CHARACTERISTICS: Residual current device:

In = 125A  
Class A  
Sensitivity: adjustable 300-1000mA instant and selective  
Terminal capacity:  
• flexible cables: 10 - 50 mm<sup>2</sup>  
• rigid cables: 16 - 50 mm<sup>2</sup>  
Nominal isolation voltage: Ui = 690 V

Technical sheets:	page 281
Dimensions:	pages 287
Complementary system items:	page 144

## Fuses for interlocked socket-outlets and socket-outlets with transformer

### Fuses ND



### Fuses DD

### Cylindrical fuses gG

### 72 RANGE

#### Fuses ND 380V~

Gewiss code	Nominal current In (A)	Type	Ø x L (mm)	Pack/ Carton Qty.
<b>GW 72 001</b>	2			<b>10/100</b>
<b>GW 72 003</b>	6	D01 E14	11 x 36	<b>10/100</b>
<b>GW 72 005</b>	16			<b>10/100</b>
<b>GW 72 013</b>	35	D02 E18	15 x 36	<b>10/100</b>
<b>GW 72 015</b>	63			<b>10/100</b>

#### Fuses DD 500V~

Gewiss code	Nominal current In (A)	Type	Ø x L (mm)	Pack/ Carton Qty.
<b>GW 72 021</b>	2	D1 E16 delayed	13 x 50	<b>10/50</b>
<b>GW 72 023</b>	6			<b>10/50</b>
<b>GW 72 065</b>	16	DII E27 rapid	22 x 50	<b>5/20</b>
<b>GW 72 092</b>	35			<b>5/20</b>
<b>GW 72 095</b>	63	DIII E33 rapid	28 x 50	<b>5/20</b>

#### Cylindrical fuses gG - 500V~

Gewiss code	Nominal current In (A)	Ø x L (mm)	Pack/ Carton Qty.
<b>GW 72 104</b>	2		<b>10/100</b>
<b>GW 72 105</b>	6		<b>10/100</b>
<b>GW 72 101</b>	16	10.3 x 38	<b>10/100</b>
<b>GW 72 110*</b>	32		<b>10/100</b>
<b>GW 72 102</b>		14 x 51	<b>10/ 40</b>
<b>GW 72 103</b>	63	22 x 58	<b>10/ 30</b>

\* Nominal voltage 400V~.

## Gauge rings



### 72 FB RANGE

#### Gauge rings for fuses

Gewiss code	Nominal Current In (A)	For fuses ND	For fuses DD	Carton Qty.
<b>GW 72 211</b>	2	D01 - E14	-	<b>100</b>
<b>GW 72 213</b>	6		-	<b>100</b>
<b>GW 72 217</b>	35	D02 - E18	-	<b>100</b>
<b>GW 72 241</b>	10		DI - E16	<b>25</b>
<b>GW 72 242</b>	16			<b>25</b>
<b>GW 72 247</b>	16	-	DII - E27	<b>100</b>
<b>GW 72 250</b>	35	-	DIII - E33	<b>100</b>

Technical sheets: pages 288-289

### Fuse selection table for interlocked socket-outlets with fuse-holder base

\* Only for interlocked socket-outlet versions Un = 500V

\*The fuses are not supplied with interlocked socket-outlets, version with fuse-holder base

SELV- With safety transformer

FUSE TYPE	Type	IP 44 horizontal		IP 55 vertical			IP 44 - SELV		IP 56 vertical			IP 44 - SELV			IP 66 Heavy-duty applications			IP 44 - SELV		
		Nominal current In (A)	16	32	16	32	63	Primary (2A)	Secondary (6A)	16	32	63	Primary (2A)	Secondary (6A)	16	32	63	Primary (2A)	Secondary (6A)	
ND 380V~	D01 - E14		GW 72 005		GW 72 005			GW 72 001												
	D02 - E18			GW 72 013		GW 72 013	GW 72 015		GW 72 003											
DD 500V~	DI - E16 Delayed											GW 72 021	GW 72 023							
	DII - E27 Rapid									GW 72 065										
	DIII - E33 Rapid										GW 72 092	GW 72 095								
Cylindrical gG 500V~			GW 72 101*	GW 72 102*	GW 72 101*	GW 72 102*	GW 72 103*							GW 72 101	GW 72 110	GW 72 103	GW 72 104	GW 72 105		