



## ILLUSTRATED PARTS BOOK

**196cc Rear Tine Tiller**  
**MODEL#: PRTT196E.1**



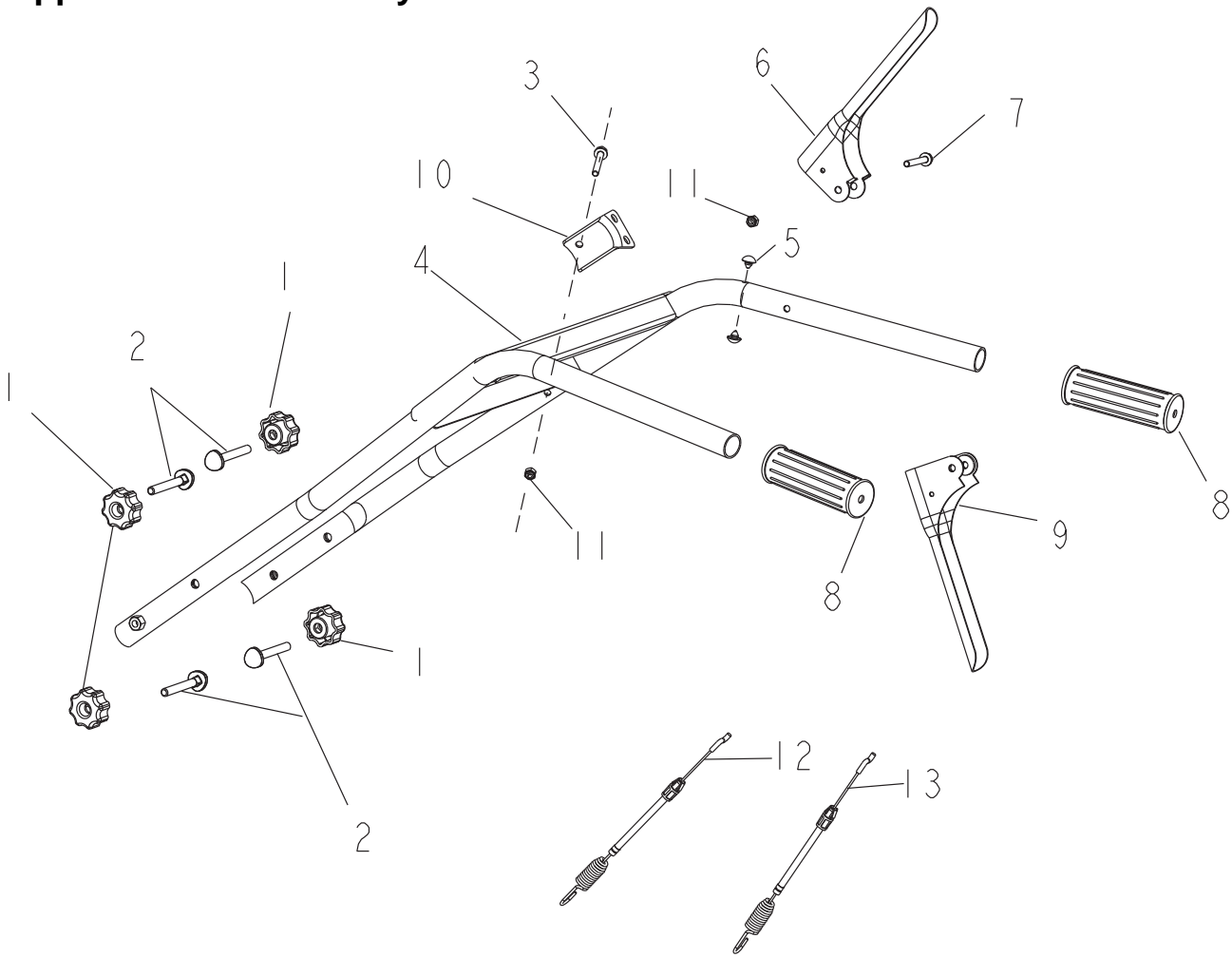
# Table of Contents

|                             |       |
|-----------------------------|-------|
| Upper Handle Assembly ..... | 3     |
| Forward Controls.....       | 4-5   |
| Rear Controls .....         | 6-7   |
| Tines & Tine Shield.....    | 8-9   |
| Transmission.....           | 10-11 |
| Unit Decals.....            | 12    |

## **Engine Components**

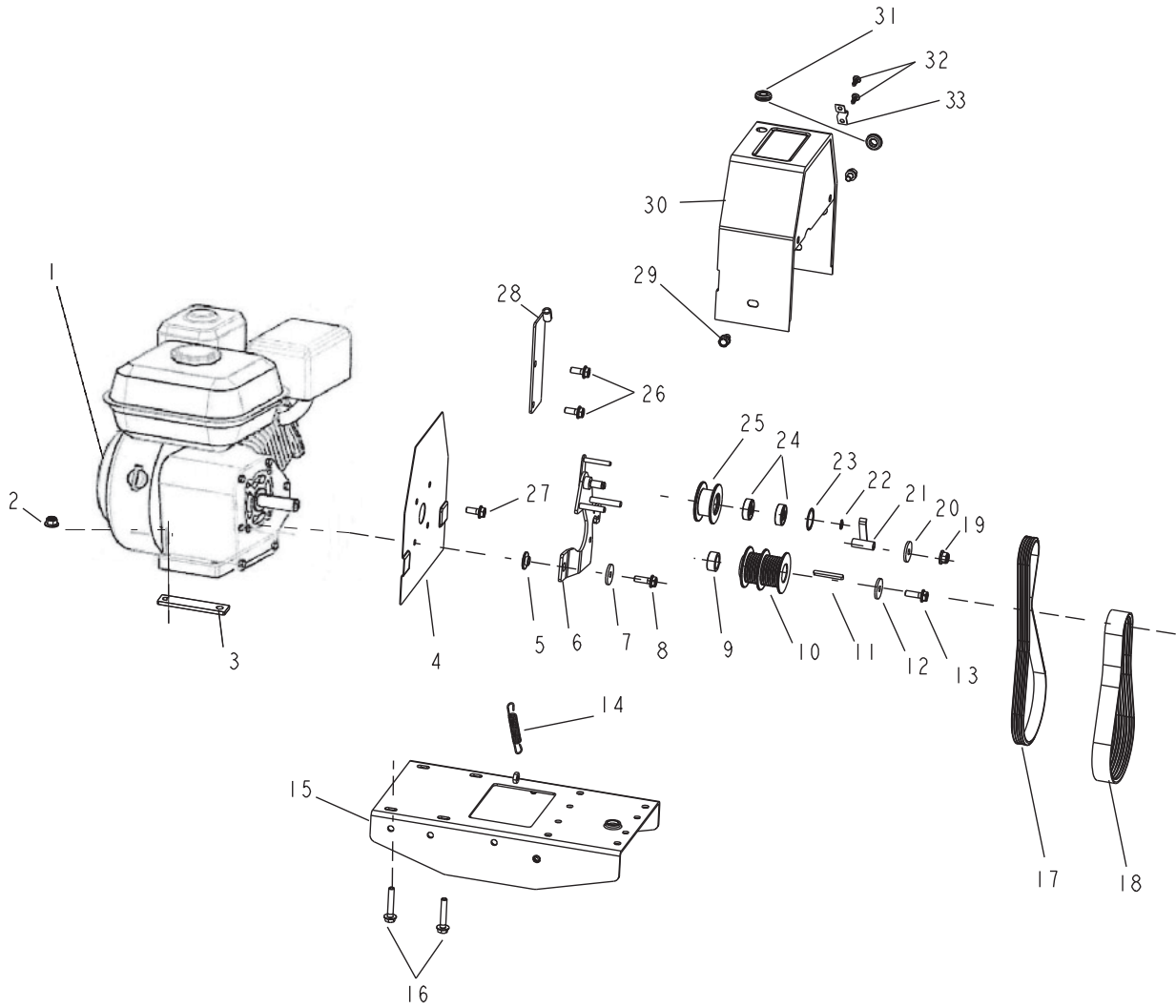
|                          |    |
|--------------------------|----|
| Cylinder Head.....       | 13 |
| Crankcase.....           | 14 |
| Crankcase Cover.....     | 15 |
| Camshaft.....            | 16 |
| Recoil Starter.....      | 17 |
| Carburetor.....          | 18 |
| Flywheel / Ignition..... | 19 |
| Air Filter.....          | 20 |
| Control Assembly.....    | 21 |
| Muffler.....             | 22 |
| Fuel Tank – EPA3.....    | 23 |

# Upper Handle Assembly



| REF.NO. | DESCRIPTION                                | PART NO.       | RQD |
|---------|--|----------------|-----|
| 1       | Knob, Handle                               | A200486        | 4   |
| 2       | Screw,Handle,M8x50 Square Neck             | A202629        | 4   |
| 3       | M6x1.0x40,Hex Flange Screw, Grade 8.8,Zinc | Reference Only | 1   |
| 4       | Upper Handle                               | A203116        | 1   |
| 5       | Rubber Bushing, Clutch Lever               | Reference Only | 2   |
| 6       | Clutch Lever ,Forward                      | A203118        | 1   |
| 7       | M6x1.0x45,Hex Flange Screw, Grade 8.8,Zinc | Reference Only | 1   |
| 8       | Handle Grip                                | A200802        | 2   |
| 9       | Clutch Lever ,Reverse                      | A203119        | 1   |
| 10      | Handle Mounting Bracket, Clutch Cable      | A203117        | 1   |
| 11      | Locknut,M6x1.0,Grade 8,Znic                | Reference Only | 2   |
| 12      | Extension Control Cable, Forward (1440mm)  | A203120        | 1   |
| 13      | Extension Control Cable, Reverse (1430mm)  | A203121        | 1   |

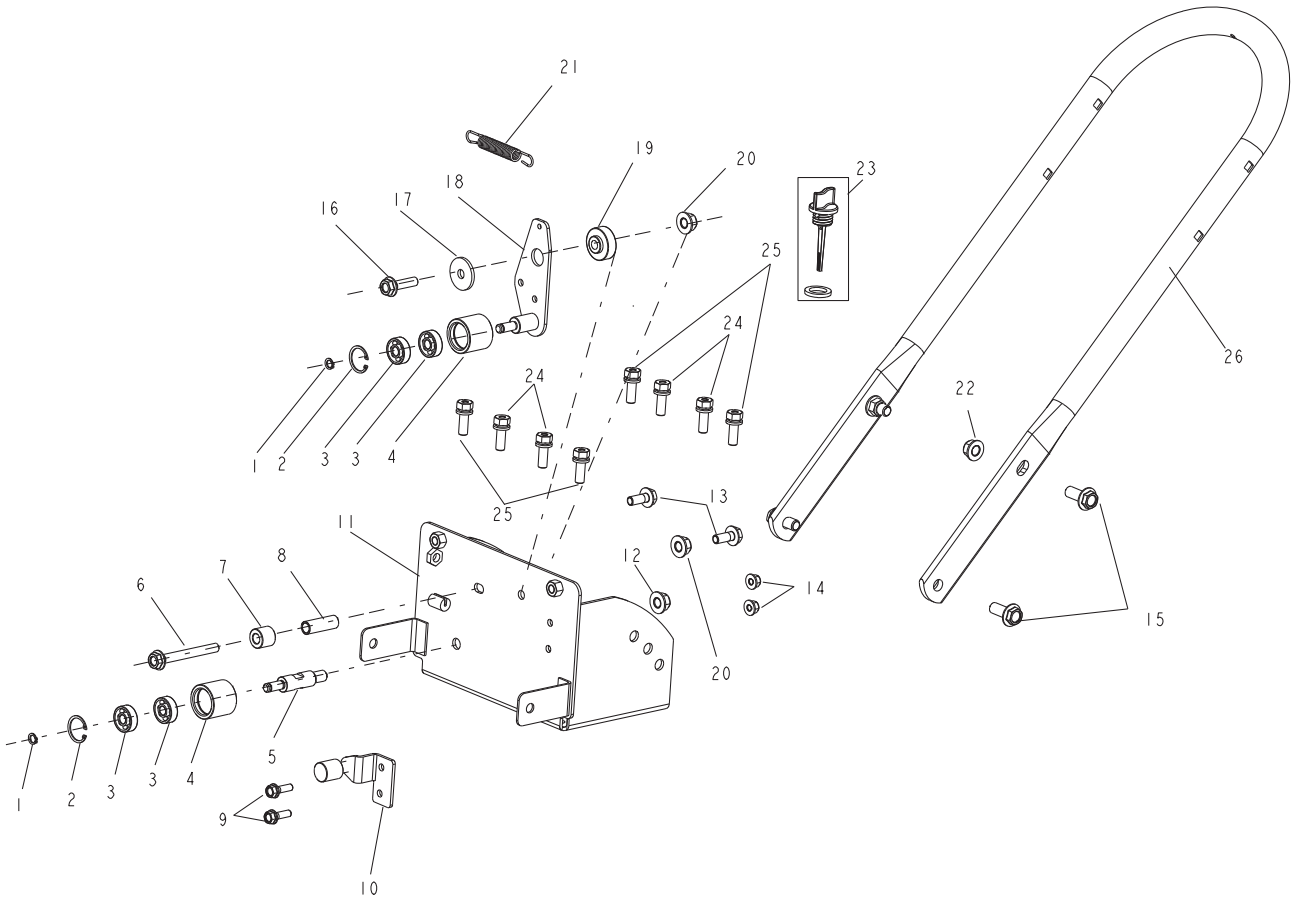
# Forward Controls



## Forward Controls

| REF.NO. | DESCRIPTION                                    | PART NO.       | RQD |
|---------|--|----------------|-----|
| 1       | Engine,196cc Loncin EPA Phase-3                | A202402        | 1   |
| 2       | Hex Nut,M8x1.25,Zinc,Grade 8                   | Reference Only | 8   |
| 3       | Spacer, Engine Mounting                        | A200534        | 2   |
| 4       | Mounting Plate, Belt Cover-Powermate           | A200505        | 1   |
| 5       | Spacer, PM Bracket                             | A200542        | 1   |
| 6       | Bracket, Tensioner-Reverse                     | A203122        | 1   |
| 7       | Washer,Flate-8.5x22.2x3                        | A203135        | 1   |
| 8       | Screw,M8x1.25x25,Hex Head, Zinc, Grade 8.8     | Reference Only | 1   |
| 9       | Shaft Bushing, Forward Pulley                  | A200509        | 1   |
| 10      | Pulley, Forward Drive                          | A200510        | 1   |
| 11      | Key,Flat-4.78x5x45                             | A200511        | 1   |
| 12      | Washer,Flate-8.5x24.5x4                        | A200513        | 1   |
| 13      | Screw,5/16-24x25,Hex Flange Head,Zinc,Grade8.8 | Reference Only | 1   |
| 14      | Spring, Tension                                | A200544        | 1   |
| 15      | Frame, Engine Mounting-Powermate               | A200536        | 1   |
| 16      | Screw,M8x1.25x40,Hex Head, Zinc, Grade 8.8     | Reference Only | 4   |
| 17      | Drive Belt,Reverse-5PK740                      | A200528        | 1   |
| 18      | Drive Belt,Reverse-7PK597                      | A200512        | 1   |
| 19      | Flange Nut,M8x1.25                             | Reference Only | 1   |
| 20      | Washer-8                                       | Reference Only | 1   |
| 21      | Guide, Belt                                    | A203136        | 1   |
| 22      | Circlip 10                                     | Reference Only | 1   |
| 23      | Circlip 30                                     | Reference Only | 1   |
| 24      | Bearing 6200-2RZ                               | Reference Only | 2   |
| 25      | Pulley, Reverse Tensioner                      | A200527        | 1   |
| 26      | Hex Bolt,Assy.M8x16-1.25                       | Reference Only | 2   |
| 27      | Hex Bolt,Assy.M8x16-1                          | Reference Only | 5   |
| 28      | Belt Mounting Plate, Reverse Cable             | A203123        | 1   |
| 29      | Screw,M8x1.25x16,Hex Head, Zinc,Grade 8.8      | Reference Only | 2   |
| 30      | Cover, Belt - Powermate                        | A203124        | 1   |
| 31      | Rubber Grommet, Belt Cover                     | A200569        | 2   |
| 32      | Screw-4.2*9.5                                  | Reference Only | 2   |
| 33      | Fastener, Cable                                | A203138        | 1   |

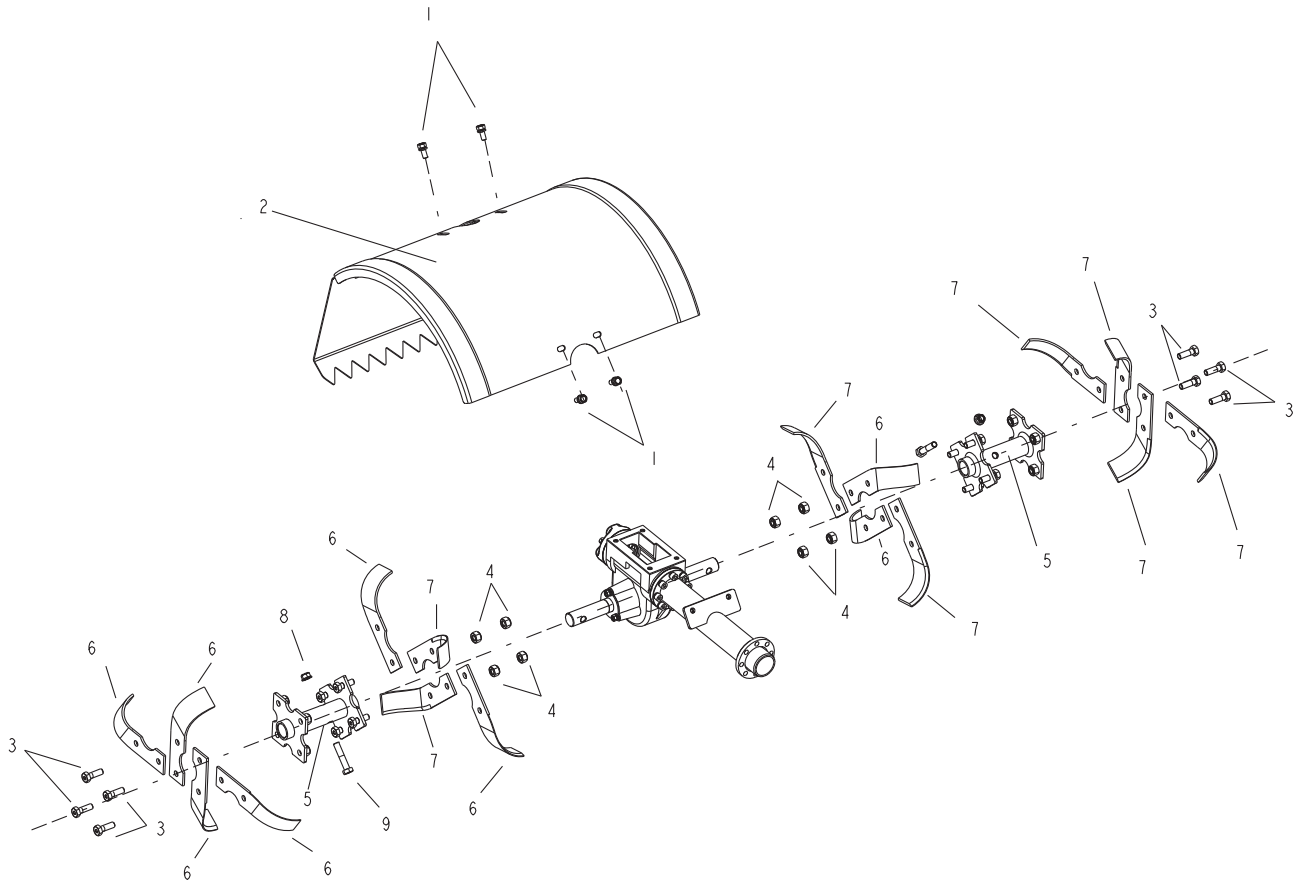
# Rear Controls



## Rear Controls

| REF.NO. | DESCRIPTION                                | PART NO.       | RQD |
|---------|--|----------------|-----|
| 1       | Circlip 8                                  | A200547        | 2   |
| 2       | Circlip 24                                 | ReferenceOnly  | 2   |
| 3       | Bearing 628-2RZ                            | ReferenceOnly  | 4   |
| 4       | Pulley, Forward Tensioner                  | A200549        | 2   |
| 5       | Tensioner Shaft, Forward                   | A200559        |     |
| 6       | Screw,M8x1.25x65,Hex Head, Zinc, Grade 8.8 | Reference Only | 1   |
| 7       | Bushing-2                                  | A200558        | 1   |
| 8       | Bushing-3                                  | A200560        | 1   |
| 9       | Screw,M6x1.0x20,Hex Head, Zinc, Grade 8.8  | Reference Only | 2   |
| 10      | Guide, Reverse Belt                        | A200557        | 1   |
| 11      | Frame, Handle Mounting-Powermate           | A203127        | 1   |
| 12      | Flange Nut,M10x1.5                         | Reference Only | 1   |
| 13      | Screw,M8x1.25x16,Hex Head, Zinc, Grade 8.8 | Reference Only | 2   |
| 14      | Nut,M6x1                                   | Reference Only | 2   |
| 15      | Screw,M10x1.5x25,Hex Head, Zinc, Grade 8.8 | Reference Only | 4   |
| 16      | Screw,M8x1.25x30,Hex Head, Zinc, Grade 8.8 | Reference Only | 1   |
| 17      | Flange Washer,8.5x30x3,Zinc                | A200513        | 1   |
| 18      | Arm, Clutch Bracket                        | A203129        | 1   |
| 19      | Bushing, Shaft Tensioner                   | A200552        | 1   |
| 20      | Flange Nut,M8x1.25                         | Reference Only | 1   |
| 21      | Spring, Tension                            | A200544        | 1   |
| 22      | Hex Nut,M10x1.5,Zinc,Grade 8               | Reference Only | 2   |
| 23      | Dipstick Assy.                             | A203137        | 1   |
| 24      | Bolt, Assy.M8x25-1.25                      | Reference Only | 9   |
| 26      | Hex Bolt, Assy.M8x20-1.25                  | Reference Only | 10  |
| 27      | Handle Lower                               | A202636        | 1   |

## Tines & Tine Shield

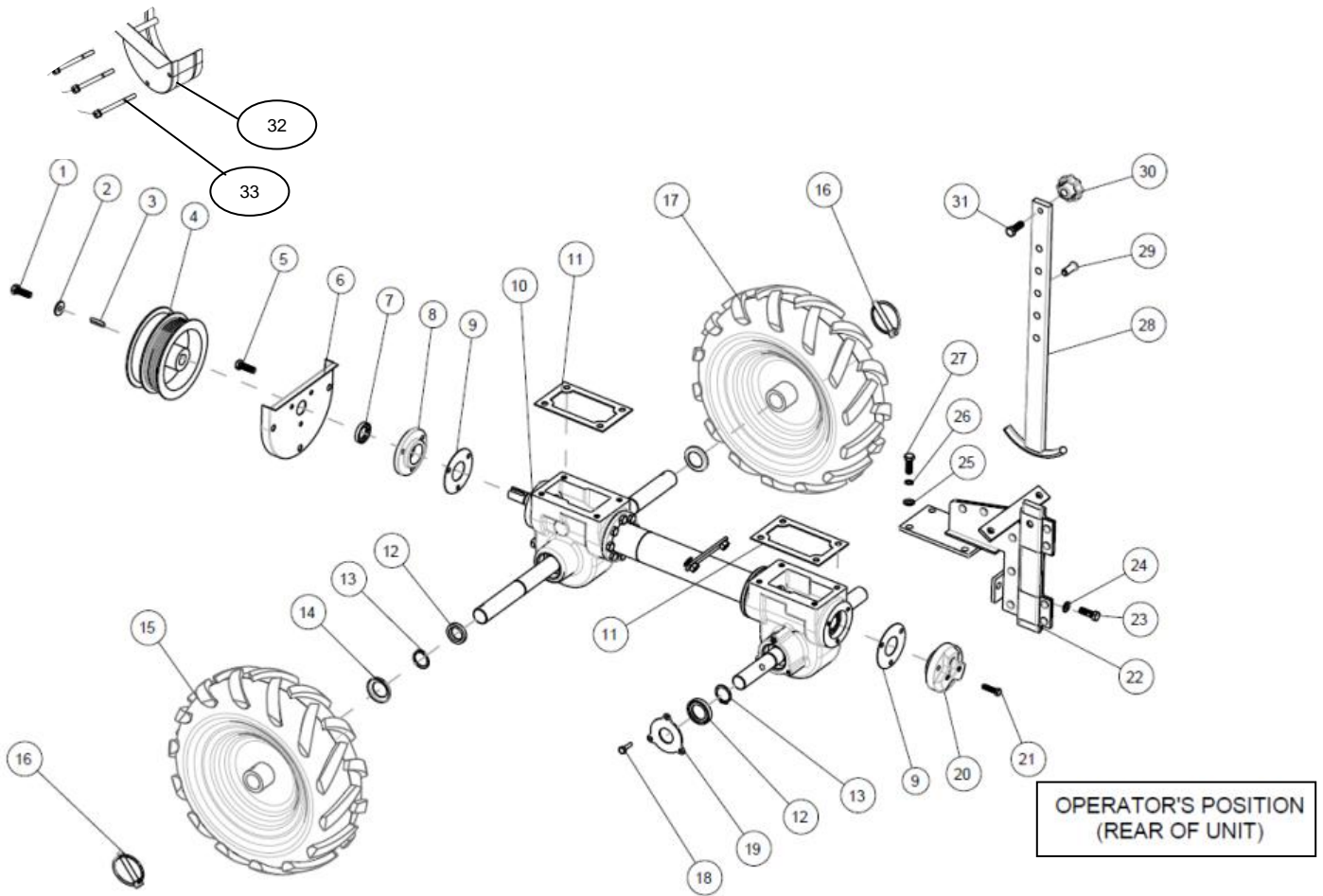


## Tines & Tine Shield

| REF.NO. | DESCRIPTION                                | PART NO.       | RQD |
|---------|--|----------------|-----|
| 1       | Screw,M8×1.25×20,Hex Head, Zinc, Grade 8.8 | Reference Only | 4   |
| 2       | Tine Shield, Main-Powermate                | A200572        | 1   |
| 3       | Screw,M8×1.25×20,Hex Head                  | Reference Only | 16  |
| 4       | Nylock Nut,M8×1.25                         | Reference Only | 16  |
| 5       | Tines hub                                  | A203130        | 2   |
| 6       | Tines ,Right                               | A202957        | 8   |
| 7       | Tines ,Left                                | A202956        | 8   |
| 8       | Nut,M10×1.5                                | Reference Only | 2   |
| 9       | Screw,M10×1.5×50,Hex Head                  | Reference Only | 2   |



# Transmission



## Transmission

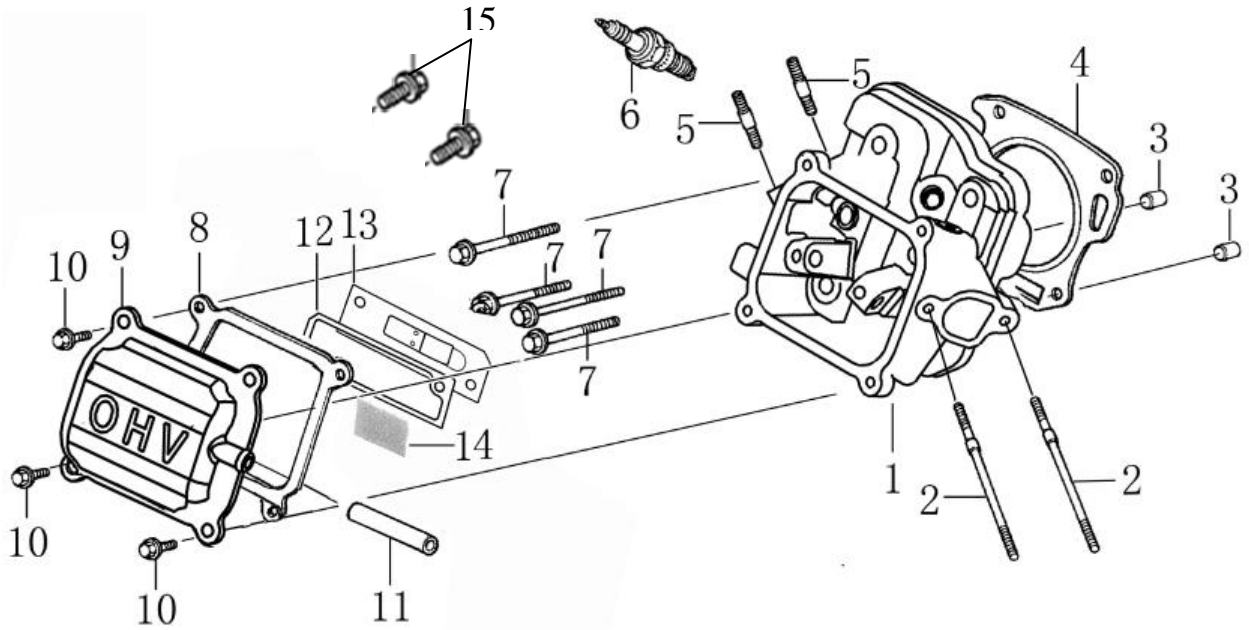
| REF. NO. | DESCRIPTION  | PART NO.              | RQD |
|----------|--|-----------------------|-----|
| 1        | Screw, M8x1.25x25, Hex Head, Zinc, Grade 8.8                   | <i>Reference Only</i> | 1   |
| 2        | Flat Washer, M8, Zinc  | <i>Reference Only</i> | 1   |
| 3        | Key, Flat - 5x5x25   | A200586               | 1   |
| 4        | Pulley, Transmission   | A200587               | 1   |
| 5        | Screw, M6x1.0x25, Hex Head, Zinc, Grade 8.8                    | <i>Reference Only</i> | 3   |
| 6        | Belt Cover, Lower Stationary - Powermate                       | A200589               | 1   |
| 7        | Oil Seal, Transmission – 19x32x7                               | A200591               | 1   |
| 8        | Transmission Cover, Front                                      | <i>Reference Only</i> | 1   |
| 9        | Gasket 2, Transmission   | A200592               | 2   |
| 10       | Kit, Transmission Assembly                                     | A201911               | 1   |
| 11       | Gearbox Gasket, Transmission                                   | A200538               | 2   |
| 12       | Oil Seal, Transmission – 25x40x7                               | A200601               | 4   |
| 13       | C-Clip, 25   | A200599               | 4   |
| 14       | Shaft Spacer, Wheel  | A200598               | 2   |
| 15       | Tire Assembly, 13"-Left (Determined from Operator's Position)  | A200597               | 1   |
| 16       | Lock Pin, Wheel  | A200596               | 2   |
| 17       | Tire Assembly, 13"-Right (Determined from Operator's Position) | A200809               | 1   |
| 18       | Screw, M6x1.0x16, Hex Head, Zinc, Grade 8.8                    | <i>Reference Only</i> | 12  |
| 19       | Seal Cap, Transmission   | A200607               | 4   |
| 20       | Rear Cover, Transmission                                       | A200613               | 1   |
| 21       | Screw, M6x1.0x25, Hex Head, Zinc, Grade 8.8                    | <i>Reference Only</i> | 3   |
| 22       | Mounting Frame, Drag Bar                                       | A200574               | 1   |
| 23       | Screw, M8x1.25x20, Hex Head, Zinc, Grade 8.8                   | <i>Reference Only</i> | 2   |
| 24       | Flat Washer, M8, Zinc  | <i>Reference Only</i> | 2   |
| 25       | Flat Washer, M8, Zinc  | <i>Reference Only</i> | 4   |
| 26       | Lock Washer, M8, Zinc  | <i>Reference Only</i> | 4   |
| 27       | Screw, M8x1.25x25, Hex Head, Zinc, Grade 8.8                   | <i>Reference Only</i> | 4   |
| 28       | Drag Bar   | A200576               | 1   |
| 29       | Pin, Drag Bar  | A200577               | 1   |
| 30       | Handle Knob, Drag Bar  | A200575               | 1   |
| 31       | Screw, M8x1.25x30, Hex Head, Zinc, Grade 8.8                   | <i>Reference Only</i> | 1   |
| 32       | Belt Cover, Lower Front-Powermate                              | A200584               | 1   |
| 33       | Screw, M8x1.25x90, Hex Head, Zinc, Grade 8.8                   | A200583               | 3   |

Unit Decals



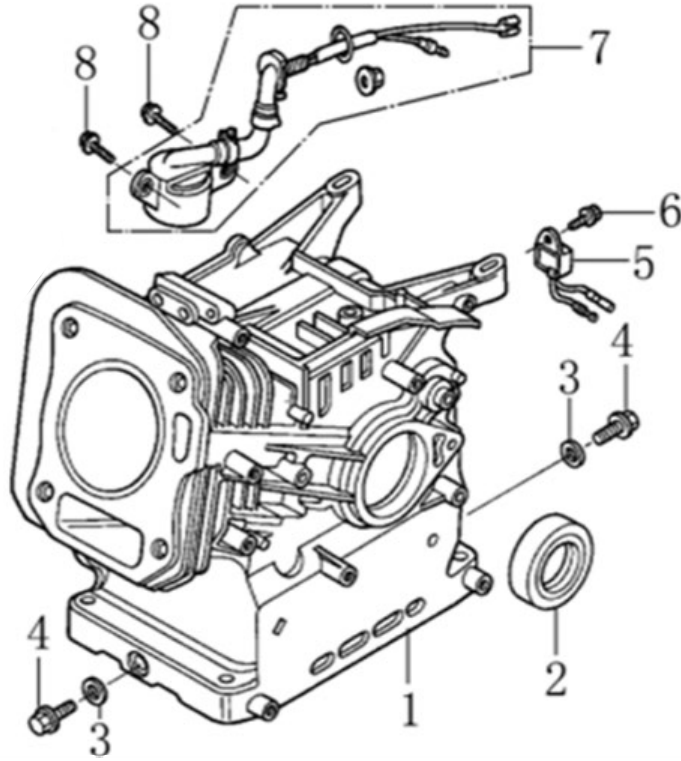
| REF. NO. | DESCRIPTION           | PART NO. | RQD |
|----------|-----------------------|----------|-----|
| -        | Decal Sheet, PRTT196E | A202637  | 1   |

# Cylinder Head



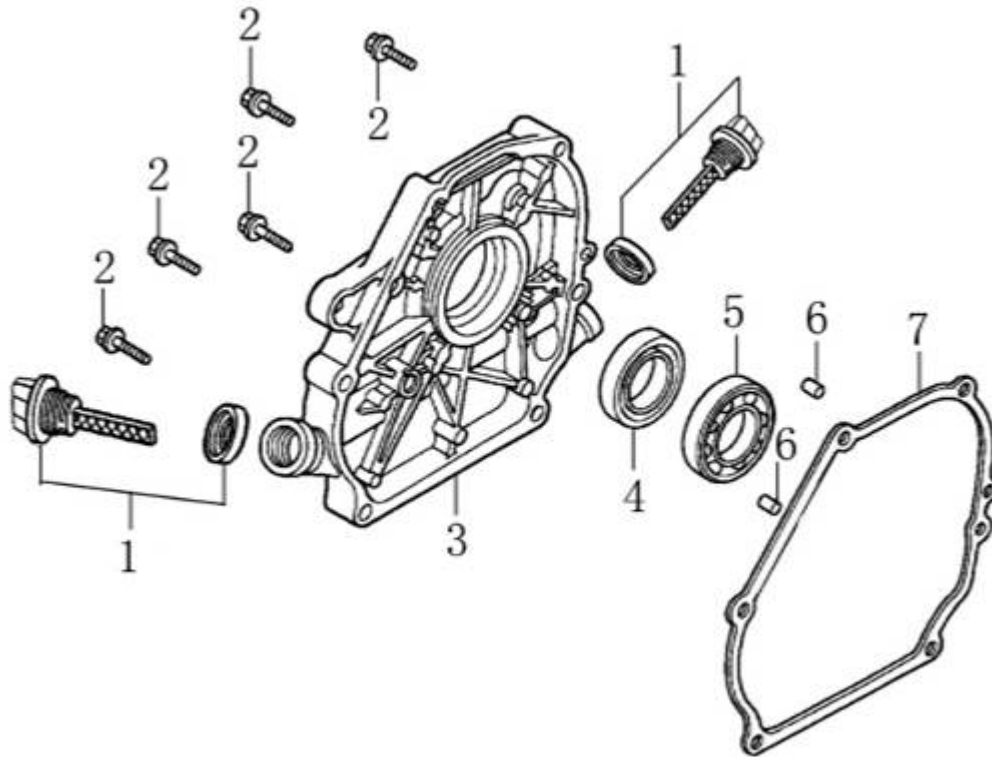
| REF. NO. | DESCRIPTION   | PART NO.              | RQD |
|----------|---|-----------------------|-----|
| 1        | Cylinder Head – EPA3                                | <i>Reference Only</i> | 1   |
| 2        | Stud, Threaded – 1                                  | <i>Reference Only</i> | 2   |
| 3        | Pin, Dowel  | <i>Reference Only</i> | 2   |
| 4        | Gasket, Cylinder                                    | A201410               | 1   |
| 5        | Stud, Threaded – 2                                  | <i>Reference Only</i> | 2   |
| 6        | Plug, Spark, F7TC                                   | A201233               | 1   |
| 7        | Screw, Hex Flange Head, M8x1.25x60, Zinc, Grade 8.8 | <i>Reference Only</i> | 4   |
| 8        | Gasket, Valve Cover – EPA3                          | A202638               | 1   |
| 9        | Cover, Valve – EPA3                                 | A202639               | 1   |
| 10       | Screw, Hex Flange Head, M6x1.0x14, Zinc, Grade 8.8  | <i>Reference Only</i> | 4   |
| 11       | Tube, Breather                                      | A201416               | 1   |
| 12       | Cap, Breather Chamber                               | A202640               | 1   |
| 13       | Gasket, Breather Chamber                            | A202641               | 1   |
| 14       | Strainer, Oil                                       | A202642               | 1   |
| 15       | Screw, Hex Flange Head, M5x0.8x10, Zinc, Grade 8.8  | <i>Reference Only</i> | 2   |

# Crankcase



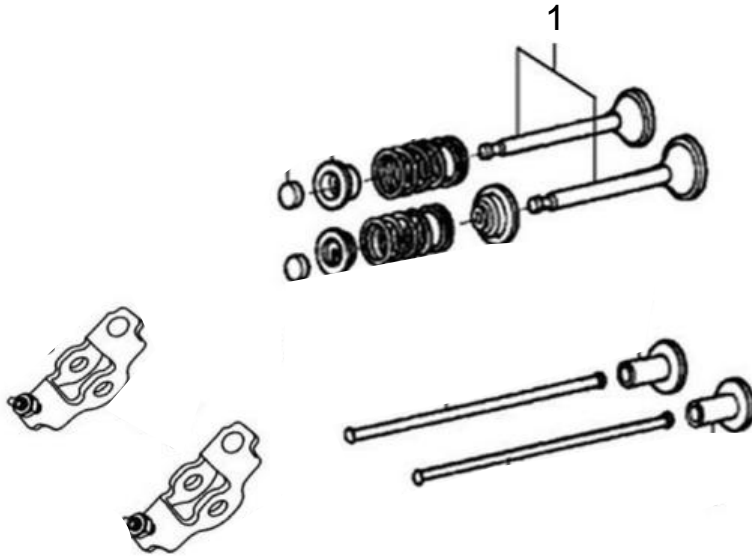
| REF. NO. | DESCRIPTION  | PART NO.              | RQD |
|----------|--|-----------------------|-----|
| 1        | Crankcase  | <i>Reference Only</i> | 1   |
| 2        | Seal, Oil, 25X41.25X6                              | A201418               | 1   |
| 3        | Washer, Drain Plug                                 | A201419               | 2   |
| 4        | Bolt, Drain Plug                                   | A201420               | 2   |
| 5        | Alarm Unit, Sensor Module                          | A201421               | 1   |
| 6        | Screw, Hex Flange Head, M6x1.0x10, Zinc, Grade 8.8 | <i>Reference Only</i> | 1   |
| 7        | ASM, Oil Level Switch                              | A201423               | 1   |
| 8        | Flange Bolt, M6 x 14mm                             | <i>Reference Only</i> | 2   |

## Crankcase Cover



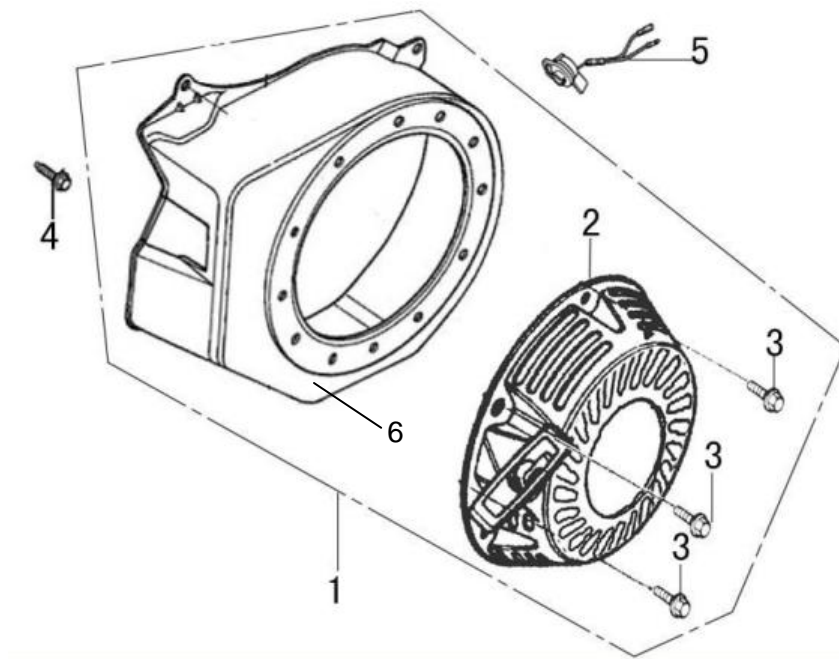
| REF. NO. | DESCRIPTION   | PART NO.              | RQD |
|----------|---|-----------------------|-----|
| 1        | Kit, Dip Stick                                      | A201430               | 2   |
| 2        | Screw, Hex Flange Head, M8x1.25x32, Zinc, Grade 8.8 | <i>Reference Only</i> | 6   |
| 3        | Cover, Crankcase                                    | <i>Reference Only</i> | 1   |
| 4        | Seal, Oil, 25X41.25X6                               | A201418               | 1   |
| 5        | Bearing, Radial Ball 6205                           | <i>Reference Only</i> | 1   |
| 6        | Pin, Dowel, M8 x 14mm                               | <i>Reference Only</i> | 2   |
| 7        | Gasket, Crankcase Cover                             | A202644               | 1   |

# Camshaft



| REF. NO. | DESCRIPTION    | PART NO. | RQD |
|----------|----------------|----------|-----|
| 1        | Kit, Valve Set | A201468  | 1   |

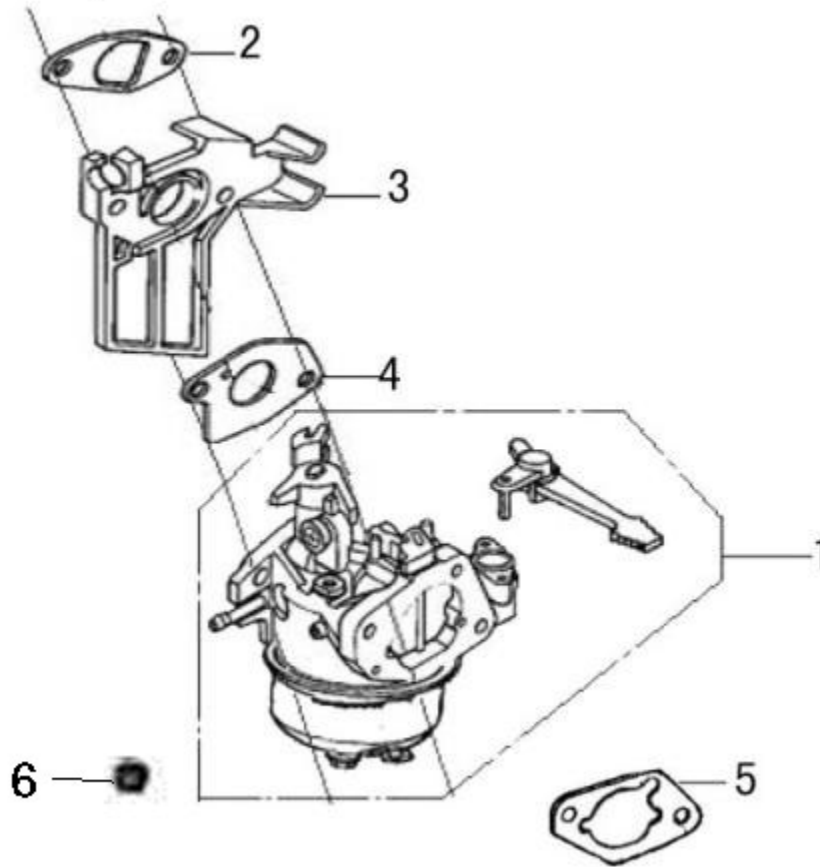
## Recoil Starter



| REF. NO. | DESCRIPTION  | PART NO.              | RQD |
|----------|--|-----------------------|-----|
| 1        | Kit, Recoil Starter (Includes #2,3, & 6)           | A201471               | 1   |
| 2        | Kit, Starter ASM                                   | A201477               | 1   |
| 3        | Screw, Hex Flange Head, M6x1.0x8, Zinc, Grade 8.8  | <i>Reference Only</i> | 3   |
| 4        | Screw, Hex Flange Head, M6x1.0x10, Zinc, Grade 8.8 | <i>Reference Only</i> | 1   |
| 5        | Kit, Kill Switch – On/Off                          | A201473               | 1   |
| 6        | Cover, Fan   | A201474               | 1   |

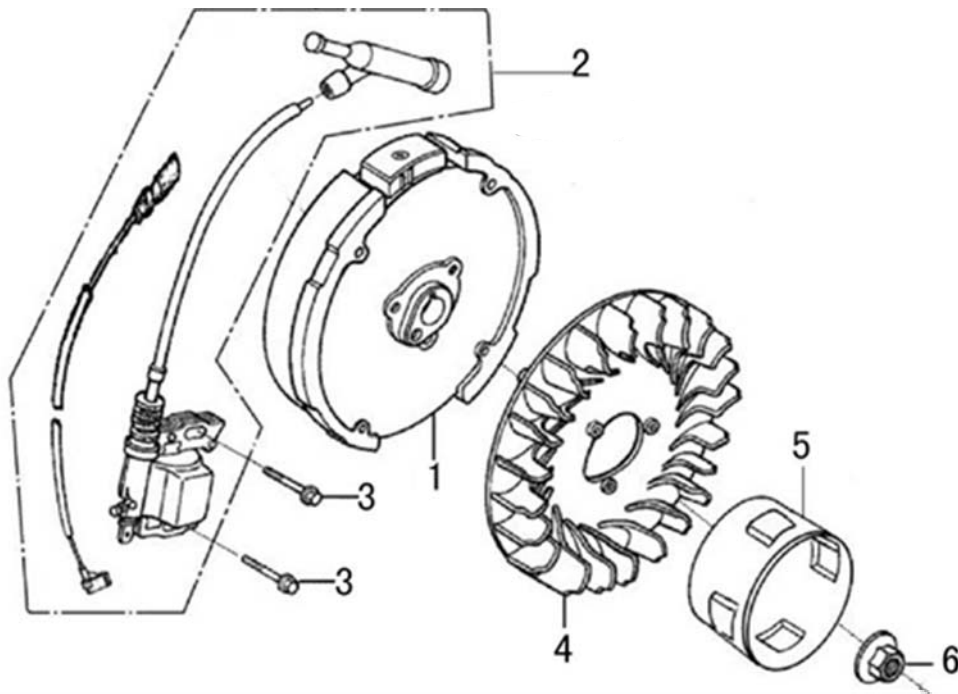


## Carburetor



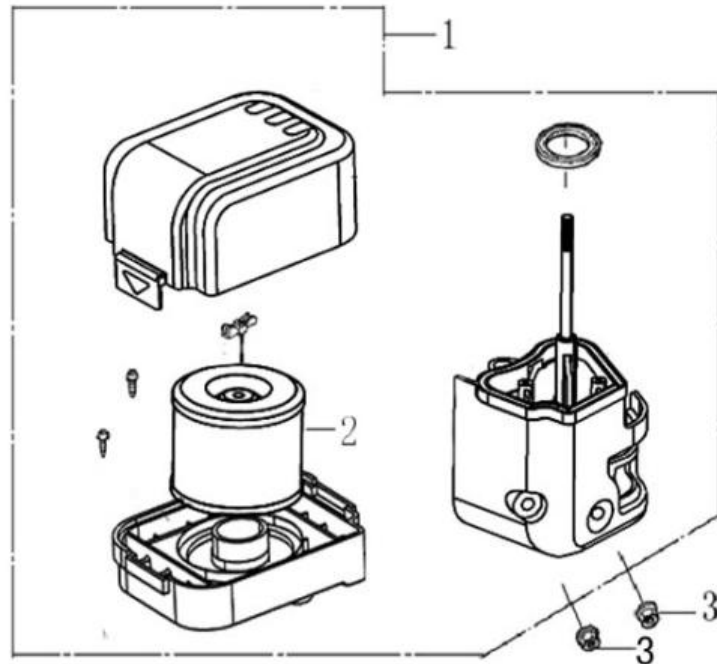
| REF. NO. | DESCRIPTION                              | PART NO. | RQD |
|----------|--|----------|-----|
| 1        | ASM, Carburetor – EPA3                   | A202645  | 1   |
| 2        | Gasket, Carburetor Spacer                | A202646  | 1   |
| 3        | Spacer, Gasket                           | A201496  | 1   |
| 4        | Gasket, Carburetor                       | A202647  | 1   |
| 5        | Gasket, Air Filter                       | A201498  | 1   |
| 6        | Jet, High Altitude (above 7000 feet MSL) | A203104  | 1   |

## Flywheel / Ignition



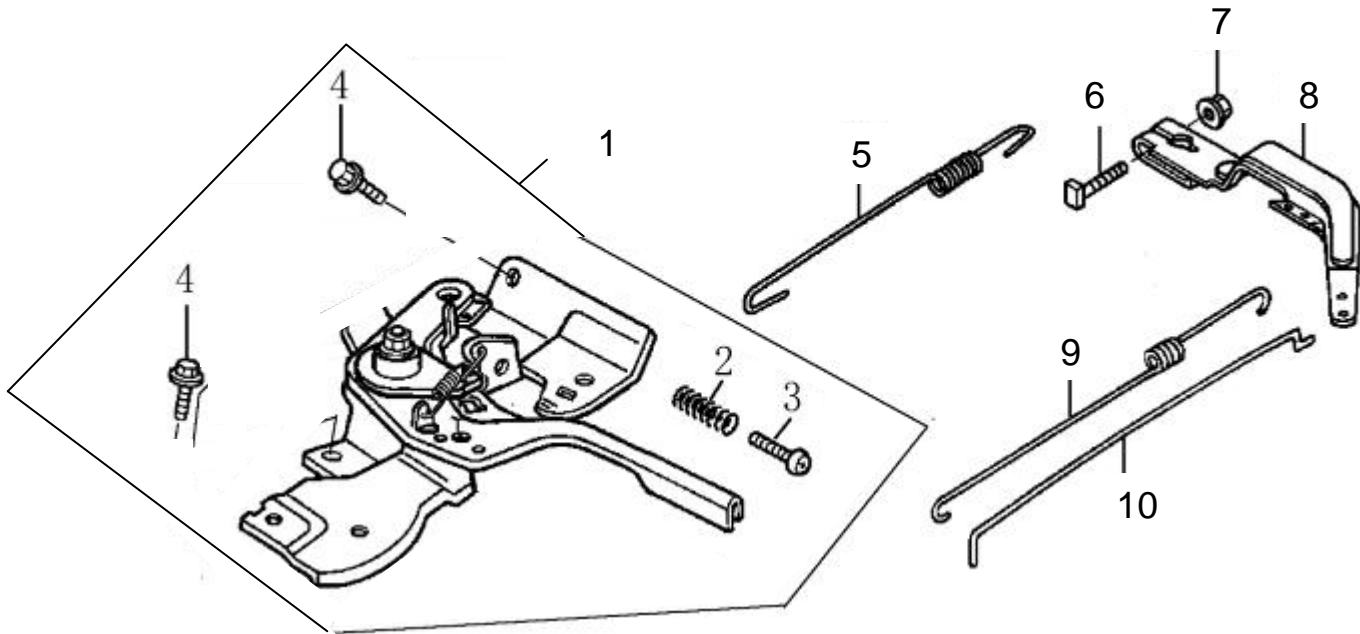
| REF. NO. | DESCRIPTION  | PART NO.              | RQD |
|----------|--|-----------------------|-----|
| 1        | ASM, Flywheel                                      | A201512               | 1   |
| 2        | ASM, Ignition Coil                                 | A201513               | 1   |
| 3        | Screw, Hex Flange Head, M6x1.0x25, Zinc, Grade 8.8 | <i>Reference Only</i> | 2   |
| 4        | Fan, Flywheel                                      | A201521               | 1   |
| 5        | Pulley, Starter                                    | A201522               | 1   |
| 6        | Nut, Flywheel                                      | A201523               | 1   |

# Air Cleaner



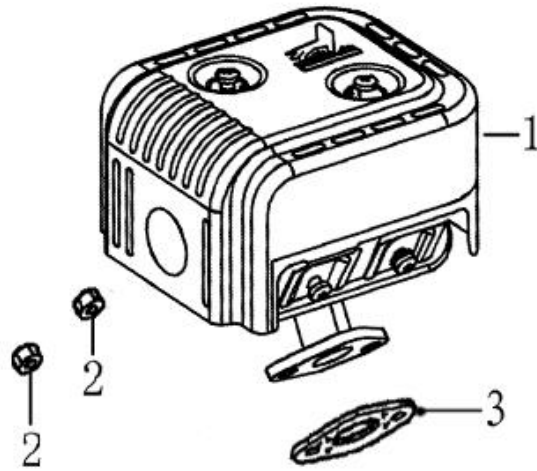
| REF. NO. | DESCRIPTION                            | PART NO.              | RQD |
|----------|--|-----------------------|-----|
| 1        | Kit, Air Filter ASM-EPA3 (Includes #2) | A202648               | 1   |
| 2        | Element, Filter – EPA3                 | A202649               | 1   |
| 3        | Hex Flange Nut, M6x1.0, Zinc, Grade 8  | <i>Reference Only</i> | 2   |

## Control Assembly



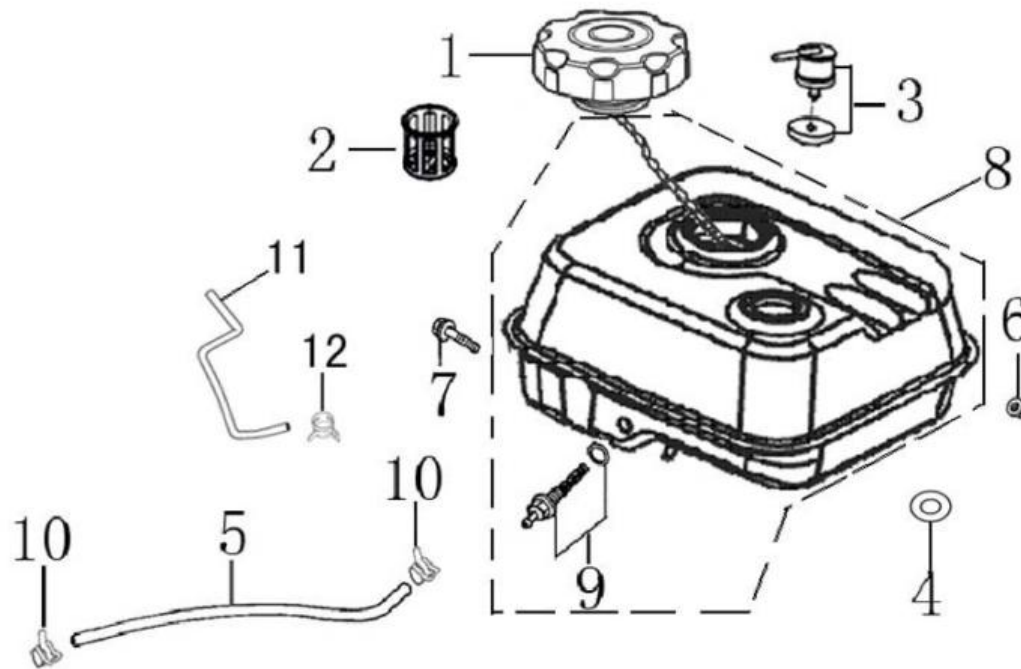
| REF. NO. | DESCRIPTION                           | PART NO.              | RQD |
|----------|---------------------------------------|-----------------------|-----|
| 1        | Kit, Control ASM (Includes #2-4)      | A201537               | 1   |
| 2        | Spring, Idle                          | <i>Reference Only</i> | 1   |
| 3        | Screw, M5 x 35mm                      | <i>Reference Only</i> | 1   |
| 4        | Bolt, Flange                          | <i>Reference Only</i> | 2   |
| 5        | Spring, Governor                      | A201546               | 1   |
| 6        | Bolt, Governor Arm                    | A201547               | 1   |
| 7        | Hex Flange Nut, M6x1.0, Zinc, Grade 8 | <i>Reference Only</i> | 1   |
| 8        | Arm, Governor                         | A201549               | 1   |
| 9        | Spring, Throttle Return               | A201550               | 1   |
| 10       | Rod, Governor                         | A201551               | 1   |

# Muffler



| REF. NO. | DESCRIPTION                     | PART NO.              | RQD |
|----------|---------------------------------|-----------------------|-----|
| 1        | ASM, Muffler – EPA3             | A202650               | 1   |
| 2        | Hex Nut, M8x1.25, Zinc, Grade 8 | <i>Reference Only</i> | 2   |
| 3        | Gasket, Muffler – EPA3          | A202651               | 1   |

## Fuel Tank – EPA3



| REF. NO. | DESCRIPTION  | PART NO.              | RQD |
|----------|--|-----------------------|-----|
| 1        | Cap, Fuel  | A202652               | 1   |
| 2        | Filter, Fuel Cap                                   | A202653               | 1   |
| 3        | Valve, Breather                                    | A202654               | 1   |
| 4        | Isolator, Tank                                     | A201563               | 2   |
| 5        | Line, Fuel   | A202655               | 1   |
| 6        | Hex Flange Nut, M6x1.0, Zinc, Grade 8              | <i>Reference Only</i> | 2   |
| 7        | Screw, Hex Flange Head, M6x1.0x25, Zinc, Grade 8.8 | <i>Reference Only</i> | 1   |
| 8        | Tank, Fuel   | A202657               | 1   |
| 9        | Filter, In-Line Fuel                               | A201559               | 1   |
| 10       | Clip, Fuel Line                                    | <i>Reference Only</i> | 2   |
| 11       | Line, Breather Valve                               | A202656               | 1   |
| 12       | Clip, Breather Valve Line                          | <i>Reference Only</i> | 2   |

# Engine Decals

**⚠ WARNING**

|   |  |
|---|--|
|  | Read and follow Operating Instructions before running engine.                    |
|  | Gasoline is flammable. Allow engine to cool at least 2 minutes before refueling. |
|  | Engines emit carbon monoxide, DO NOT run in enclosed area.                       |

**Use Regular Unleaded Gasoline with a Minimum of 87 Octane**

**Do Not Use E85 or Fuel Containing More than 10% Ethanol**



**ENGINE START-UP INSTRUCTIONS**

1. Insert the locking pin to secure the wheels in locked position.
2. Turn the Engine Switch to the "on" position.
3. Open the Fuel Valve.
4. Close the Choke Lever.
5. Adjust the Throttle Control to the high speed.
6. Pull the Starter Handle until engine starts.
7. After starting the engine, open the Choke Lever.

**AIR FILTER MAINTENANCE**

Check air filter daily. Clean the foam pre-filter with warm soapy water. Squeeze out excess water and allow pre-filter to air dry. Apply 1 to 2 ounces of clean engine oil to the foam pre-filter and squeeze out excess. Inspect air filter for damage or excessive dirt. Replace if necessary. Clean all dirt from the inside of the air filter box. Replace air filter and pre-filter every 50 hours of operation or every season.

| REF. NO. | DESCRIPTION                      | PART NO. | RQD |
|----------|----------------------------------|----------|-----|
| 1        | Decal Sheet, Engine – 196cc EPA3 | A202692  | 1   |