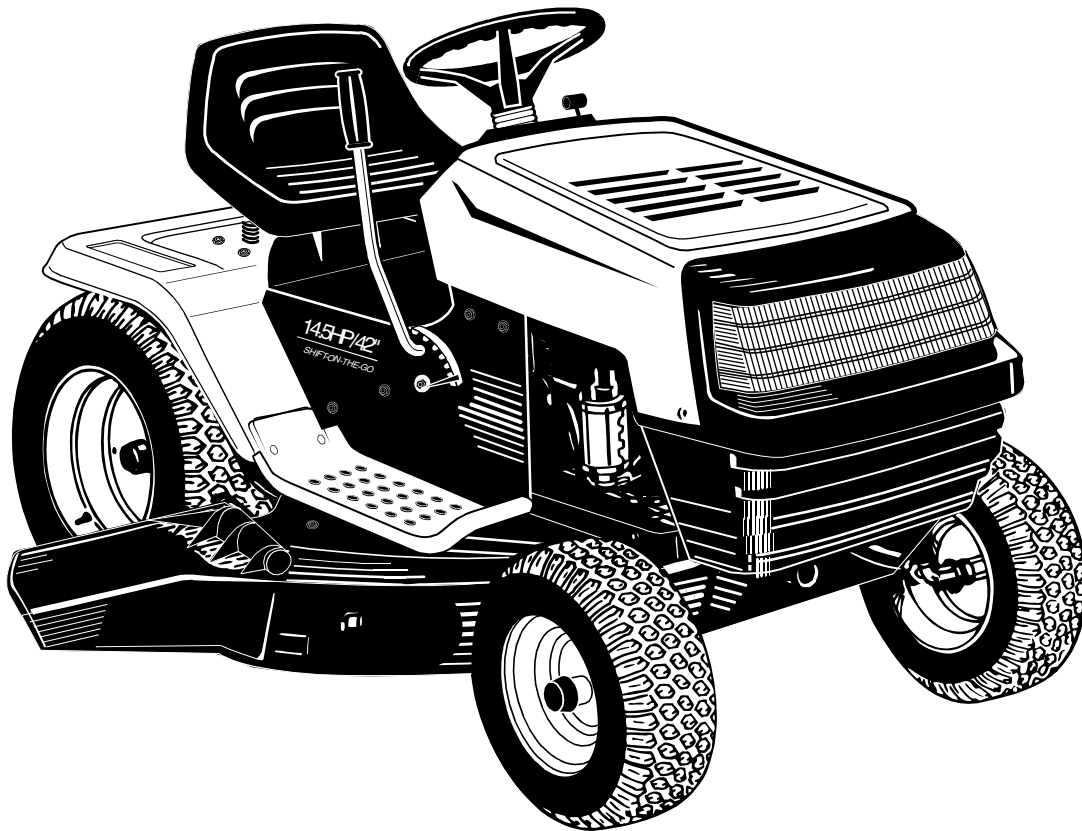


Illustrated Parts Book



Model Numbers

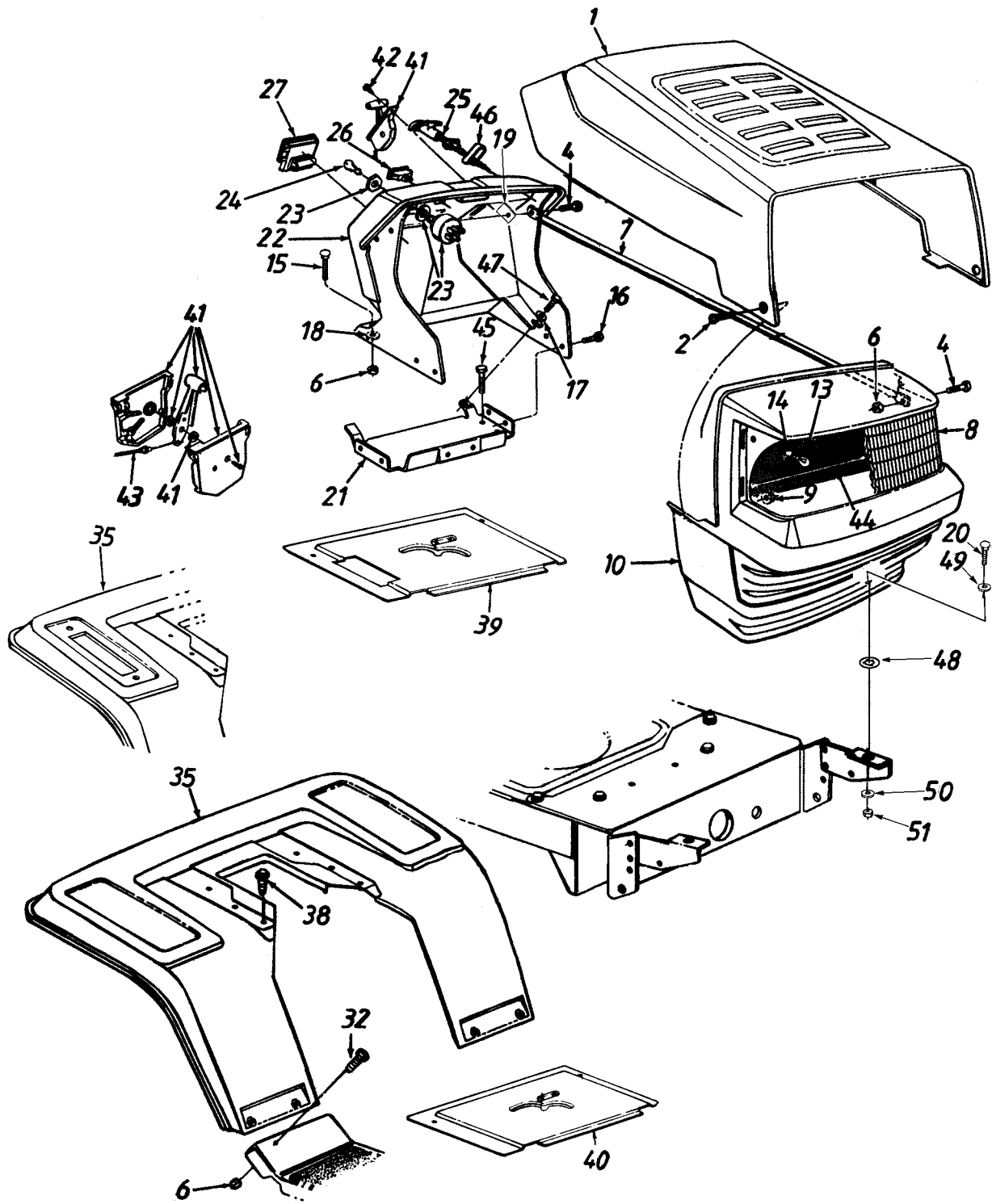
660 thru 679

MTD PRODUCTS INC • P.O.BOX 368022 • CLEVELAND , OHIO 44136-9722

PRINTED IN U.S.A.

FORM NO. 770-10116A
(10/99)

Models 660 and 670



Models 660 and 670

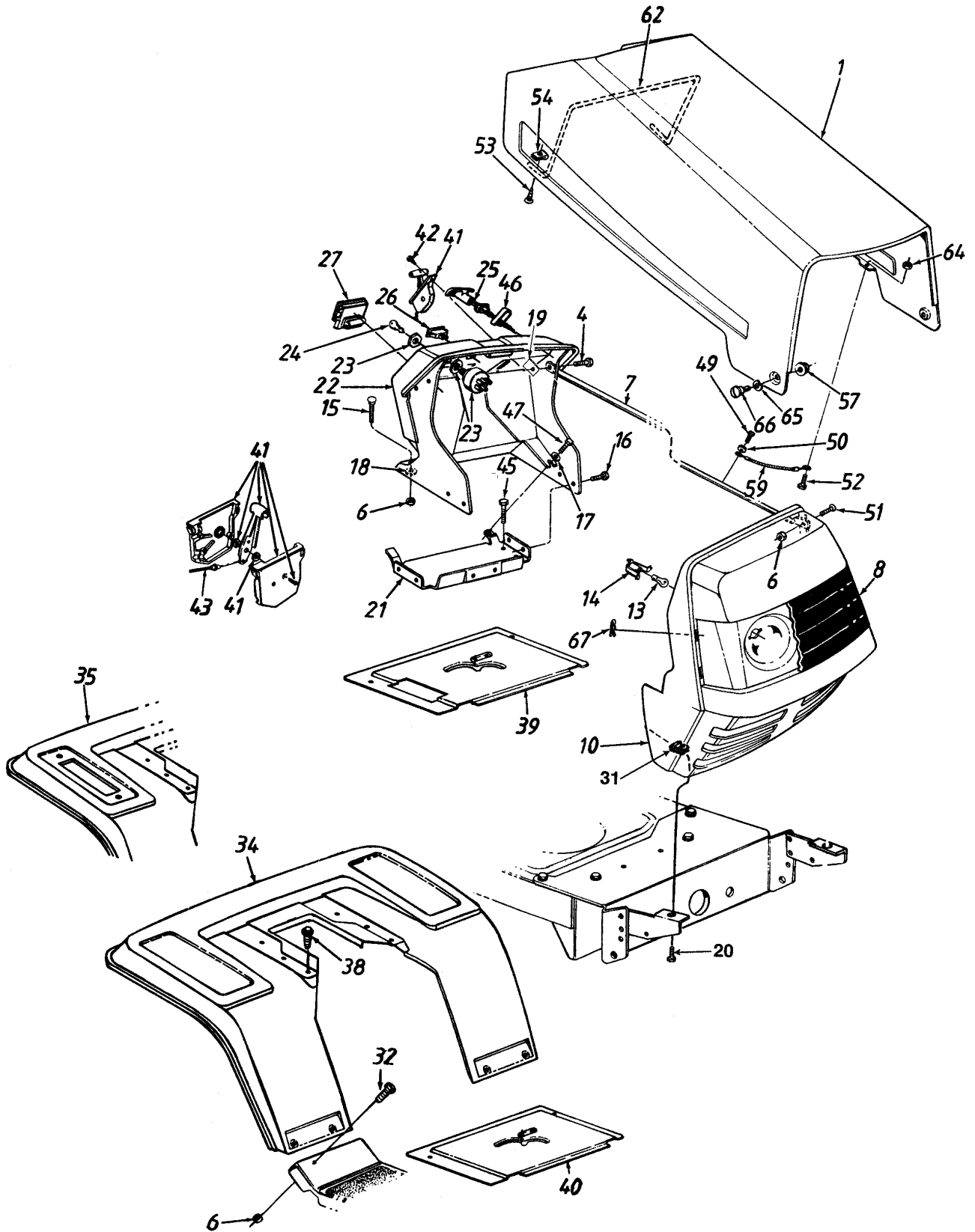
| REF. NO. | PART NO. | DESCRIPTION | REF. NO. | PART NO. | DESCRIPTION |
|----------|-----------|--------------------------------------|----------|-----------|--------------------------------------|
| 1 | 783-0250 | Hood | | 746-3021 | Choke Control 29" Lg. |
| 2 | 738-0952A | Shld. Bolt .375" Dia. x .125" Lg. | 26 | 725-0634 | Light Switch** |
| 4 | 710-0751 | Hex Bolt 1/4-20 x .62" Lg.* | 27 | 725-0925 | Ammeter** |
| 6 | 712-3006 | Hex Sems Nut 1/4-20 Thd.* | 32 | 710-0286 | Truss Mach. Scr. 1/4-20 x .5" Lg. |
| 7 | 749-0812 | Grille Support Rod | 34 | 17870A | Fender |
| 8 | 731-1099A | Headlight Lens (w/o Logo) | 35 | 17871B | Fender w/Cutout |
| | 731-1767 | Headlight Lens (w/ Logo) | 38 | 710-0726 | Hex Wash. Hd. AB-Tap Scr.5/16 x |
| 9 | 712-3027 | Flange L-Nut 1/4-20 Thd. | 39 | 17954B | Shift Cover w/Cutout |
| 10 | 731-1097E | Grille | 40 | 17286B | Shift Cover |
| 13 | 725-0963 | Lamp | 41 | 831-0823A | Throttle Box Ass'y. |
| 14 | 725-1649 | Socket | 42 | 710-0779A | Truss Mach. AB-Tap Scr.#10 x .5" |
| 15 | 710-0703 | Carriage Bolt 1/4-20 x .75" Lg. | 43 | 746-0776 | Throttle Control Wire 18.5" Lg. |
| 16 | 710-0599 | Hex Washer Tap Scr. 1/4-20 x .5" Lg. | | 746-0634 | Throttle Control Wire 35" Lg. |
| 17 | 736-0173 | FI-Wash. .281" I.D. x .73" O.D. | | 746-0638 | Throttle Control Wire 22" Lg. |
| 18 | 726-0233 | Bolt Retainer 1/4" I.D. | 44 | 777-9206 | Grille Reflector Label |
| 19 | 712-0185 | Speed Nut 1/4-20 Thd. | 45 | 710-0603 | Hex Washer Tap Scr.5/16-18 x .5" Lg. |
| 20 | 710-3008 | Hex Bolt 5/16-18 x .75" Lg. | 46 | 17782 | Choke Retainer |
| 21 | 17632A | Gas Tank Support Brkt. | 47 | 710-0642 | Hex TT-Tap Scr. 1/4-20 x .75" Lg. |
| 22 | 731-1096B | Dash w/Ammeter Hole | 48 | 726-0201 | Speed Nut |
| | 731-1337A | Dash w/o Ammeter Hole | 49 | 736-3078 | FI-Wash. .34" I.D. x 1"Lg. |
| 23 | 725-0267 | Ignition Switch | 50 | 736-0119 | L-Wash. 5/16" I.D. |
| 24 | 725-0201 | Ignition Key | 51 | 712-3010 | Hex Nut 5/16-18 Thd. |
| 25 | 746-0616A | Choke Control 23" Lg. | — | 629-0309 | Headlight Harness (Not Shown) |
| | 746-0614A | Choke Control 38" Lg. | — | See Chart | Muffler (Single Cylinder Engines) |
| | 746-0720 | Choke Control 20" Lg. | | | |

** Optional

Muffler Chart

| Engine | Muffler | Mounting Hardware |
|------------------------------------|----------|------------------------|
| 10.5,11.5, 12,12.5 &13 H.P. B&S | 751-0302 | 712-0250 Conduit L-Nut |

Models 661 and 671



Models 661 and 671

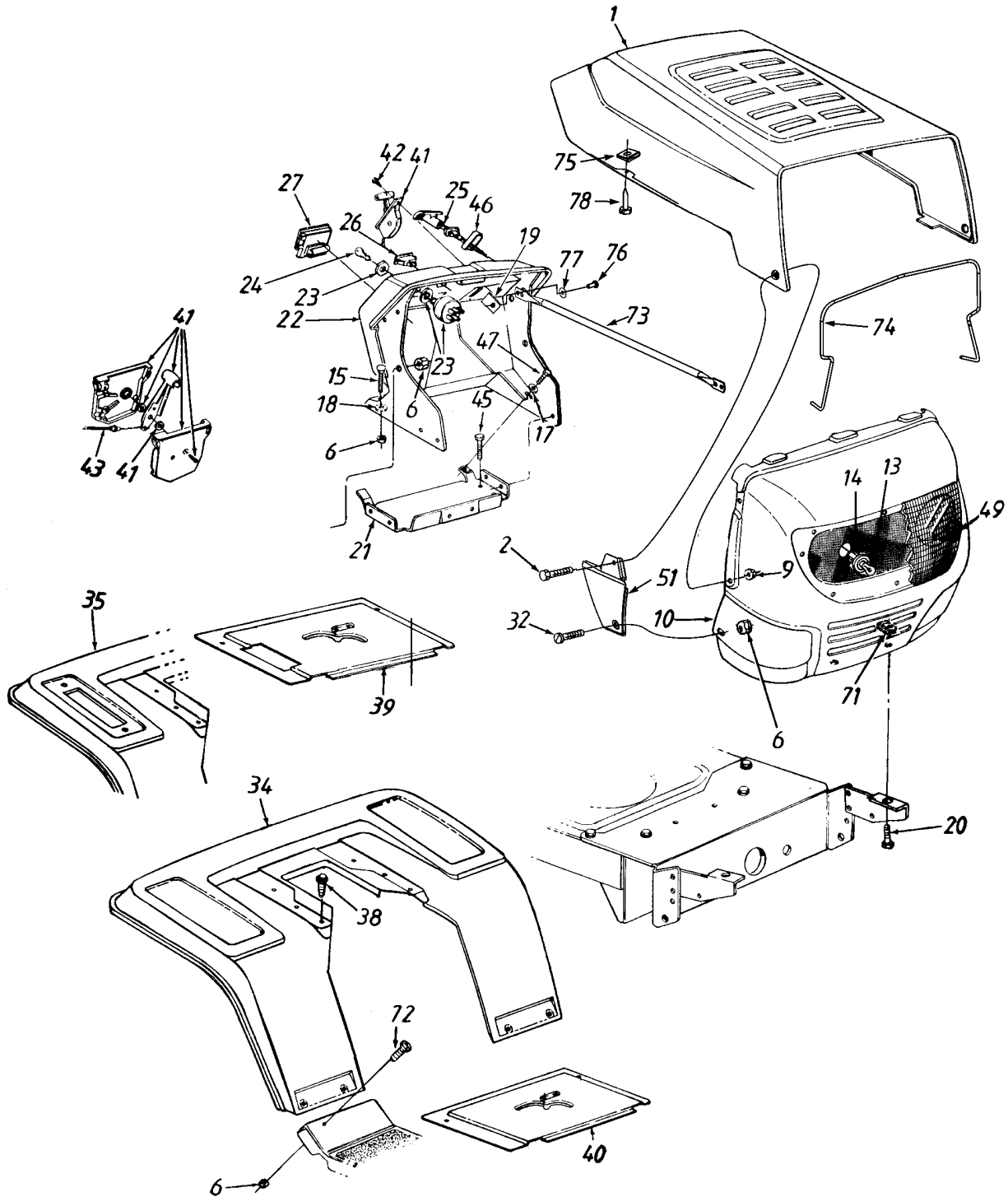
| REF. NO. | PART NO. | DESCRIPTION | REF. NO. | PART NO. | DESCRIPTION |
|----------|-----------|---------------------------------------|----------|-----------|---------------------------------------|
| 1 | 17941 | Hood | 34 | 17870A | Fender |
| 4 | 710-0751 | Hex Bolt 1/4-20 x .62" Lg.* | 35 | 17871B | Fender w/Cutout |
| 6 | 712-0271 | Hex Sems Nut 1/4-20 Thd.* | 38 | 710-0726 | Hex Wash. Hd. AB-Tap Scr.5/16 x |
| 7 | 749-0722B | Grille Support Rod | 39 | 17954B | Shift Cover w/Cutout |
| 8 | 731-1099A | Headlight Lens (w/o Logo) | 40 | 17286B | Shift Cover |
| | 731-1767 | Headlight Lens (w/Logo) | 41 | 831-0823B | Throttle Box Ass'y. |
| 9 | 712-0380 | Flange L-Nut 1/4-28 Thd. | 42 | 710-0779B | Truss Mach. AB-Tap Scr.#10 x .5" Lg. |
| 10 | 17940B | Grille | 43 | 746-0776 | Throttle Control Wire 18.5" Lg. |
| 13 | 725-0963 | Lamp | | 746-0634 | Throttle Control Wire 35" Lg. |
| 14 | 725-1651 | Socket | | 746-0638 | Throttle Control Wire 22" Lg. |
| 15 | 710-0703 | Carriage Bolt 1/4-20 x .75" Lg. | 45 | 710-0603 | Hex Wash. Hd. B-Tap Scr.5/16-18 x .5" |
| 16 | 710-0599 | Hex Wash. Hd. TT-Tap Scr.1/4-20 x .5" | 46 | 17782 | Choke Retainer |
| 17 | 736-0173 | Fl-Wash. .281" I.D. x .73" O.D. | 47 | 710-0642 | Hex TT-Tap Scr.1/4-20 x .75" Lg. |
| 18 | 726-0233 | Bolt Retainer 1/4" I.D. | 49 | 710-0351 | Truss Mach. B-Tap Scr.#10 x .5" |
| 19 | 712-0185 | Speed Nut 1/4-20 Thd. | 50 | 736-0400 | Fl-Wash. .218" I.D. x .62" |
| 20 | 710-0376 | Hex Bolt 5/16-18 x .1" Lg. (Gr. 5) | 51 | 710-0924 | Pan Hd. Mach. Scr. 1/4-20 x .75" |
| 21 | 17632A | Gas Tank Support Brkt. | 52 | 710-0473 | Truss Mach. Scr. #10-24 x.5" Lg. |
| 22 | 731-1096B | Dash w/Ammeter Hole | 53 | 710-0589 | Truss Mach. Scr. #10-24 x .75" |
| | 731-1337A | Dash w/o Ammeter Hole | 54 | 726-0130 | Speed Nut |
| 23 | 725-0267 | Ignition Switch | 57 | 712-3027 | Flange L-Nut 1/4-20 Thd. |
| 24 | 725-0201 | Ignition Key | 59 | 723-0302 | Hood Stop |
| 25 | 746-0616A | Choke Control 23" Lg. | 62 | 732-0714 | Hood Spring |
| | 746-0614A | Choke Control 38" Lg. | 64 | 712-0272 | Hex Sems Nut #10-24 Thd. |
| | 746-3021 | Choke Control 29" Lg. | 65 | 736-0413 | Spr. Wash. .39" I.D. x .62" O.D. |
| | 746-0720 | Choke Control 20" Lg. | 66 | 738-0952 | Shld. Bolt |
| 26 | 725-0634 | Light Switch** | 67 | 714-0104 | Hairpin Clip 5/16" Dia. |
| 27 | 725-0925 | Ammeter** | — | See Chart | Muffler (Single Cylinder Engines) |
| 31 | 726-0211 | U-Nut 5/16-18 Thd. | — | 629-0308 | Headlight Harness (Not Shown) |
| 32 | 710-0286 | Truss Mach. Scr. 1/4-20 x .5" Lg. | | | |

** Optional

Muffler Chart

| Engine | Muffler | Mounting Hardware |
|------------------------------------|----------|------------------------|
| 10.5,11.5, 12,12.5 &13 H.P. B&S | 751-0302 | 712-0250 Conduit L-Nut |

Models 662 and 672

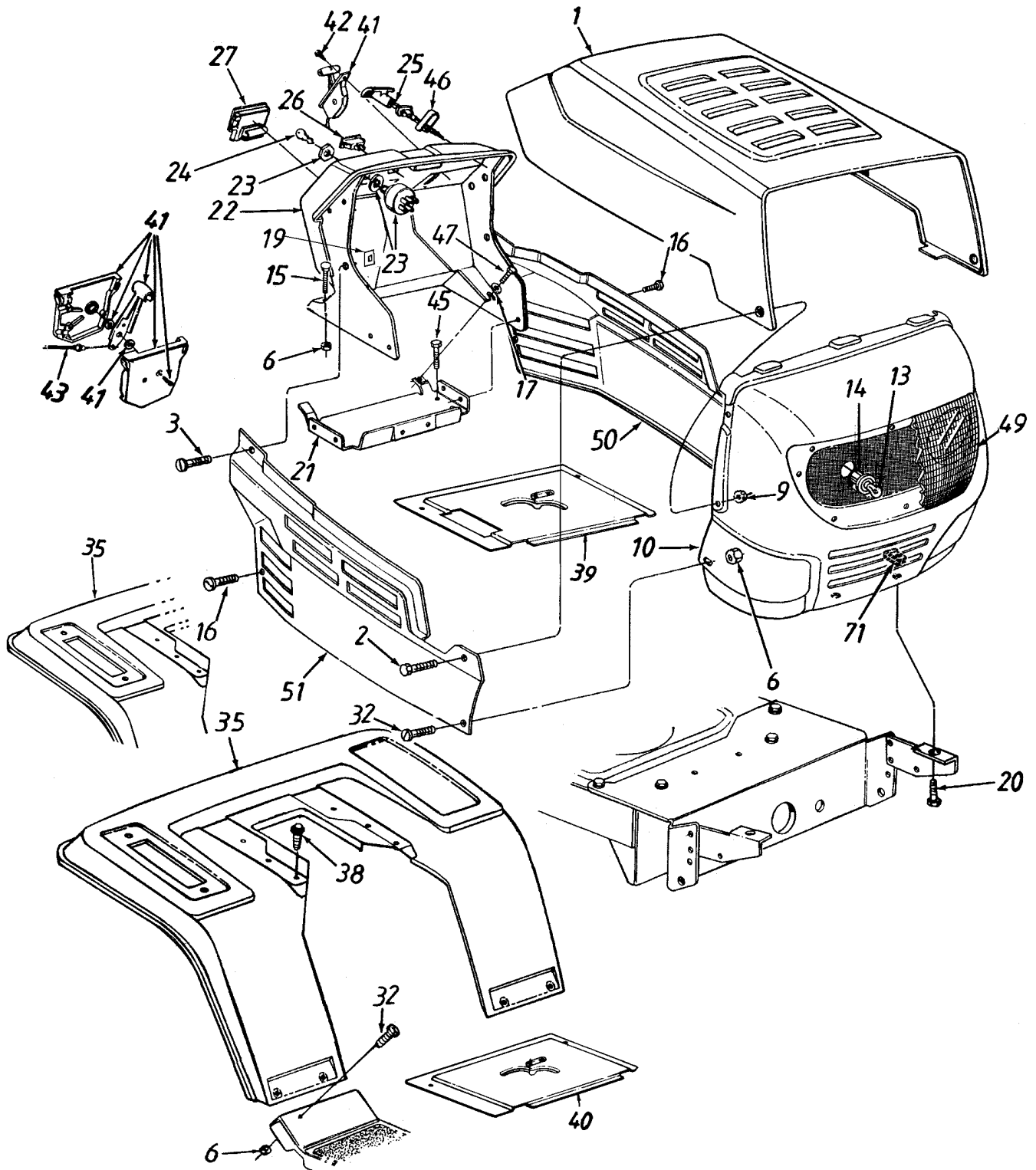


Models 662 and 672

| REF. NO. | PART NO. | DESCRIPTION | REF. NO. | PART NO. | DESCRIPTION |
|----------|-----------|-----------------------------------|----------|-----------|-----------------------------------|
| 1 | 783-0250 | Hood | 35 | 17871B | Fender w/Cutout |
| 2 | 738-0952A | Shld. Bolt .375" Dia. x .125" Lg. | 38 | 710-0726 | Hex Wash. Hd. AB-Tap Scr.5/16 x |
| 6 | 712-3006 | Hex Sems Nut 1/4-20 Thd.* | 39 | 17954B | Shift Cover w/Cutout |
| 9 | 712-3027 | Flange L-Nut 1/4-20 Thd. | 40 | 17286B | Shift Cover |
| 10 | 783-0156A | Grille | 41 | 831-0823A | Throttle Box Ass'y. |
| 13 | 725-0963 | Lamp | 42 | 710-0779A | Truss Mach. AB-Tap Scr.#10 x .5" |
| 14 | 725-1651 | Socket | 43 | 746-0776 | Throttle Control Wire 18.5" Lg. |
| 15 | 710-0703 | Carriage Bolt 1/4-20 x .75" Lg. | | 746-0634 | Throttle Control Wire 35" Lg. |
| 17 | 736-0173 | FI-Wash. .281" I.D. x .73" O.D. | | 746-0638 | Throttle Control Wire 22" Lg. |
| 18 | 726-0233 | Bolt Retainer 1/4" I.D. | 45 | 710-0603 | Hex Wash. Hd. B-Tap Scr. |
| 19 | 712-0185 | Speed Nut 1/4-20 Thd. | 46 | 17782 | Choke Retainer |
| 20 | 710-0376 | Hex Bolt 5/16-18 x .1" Lg. (Gr.5) | 47 | 710-0642 | Hex TT-Tap Scr. 1/4-20 x .75"Lg. |
| 21 | 17632A | Gas Tank Support Brkt. | 49 | 731-1503A | Lens |
| 22 | 731-1096B | Dash w/Ammeter Hole | 50 | 783-0367 | Side Panel L.H. |
| | 731-1337A | Dash w/o Ammeter Hole | 51 | 783-0366 | Side Panel R.H. |
| 23 | 725-0267 | Ignition Switch | 71 | 726-0211 | U-Nut 5/16-18 Thd. |
| 24 | 725-0201 | Ignition Key | 72 | 710-0286 | Truss Mach. Scr. 1/4-20 x .5" Lg. |
| 25 | 746-0616A | Choke Control 23" Lg. | 73 | 749-0722B | Grille Support |
| | 746-0614A | Choke Control 38" Lg. | 74 | 732-0699 | Hood Spring ** |
| | 746-3021 | Choke Control 29" Lg. | 75 | 726-0130 | Speed Nut ** |
| | 746-0720 | Choke Control 20" Lg. | 76 | 710-0751 | Hex Bolt 1/4-20 x 5/8" Lg. |
| 26 | 725-0634 | Light Switch ** | 77 | 736-0342 | FI-Wash. .283" I.D. x .75" O.D. |
| 27 | 725-0925 | Ammeter ** | 78 | 710-0589 | Hex Hd. Tap Scr. #10-16 x .75" |
| 32 | 710-0924 | Pan Hd. Scr. 1/4-20 x .75" Lg. | — | 629-0309 | Headlight Harness (Not Shown) |
| 34 | 17870A | Fender | | | |

** Optional

Models 663 and 673

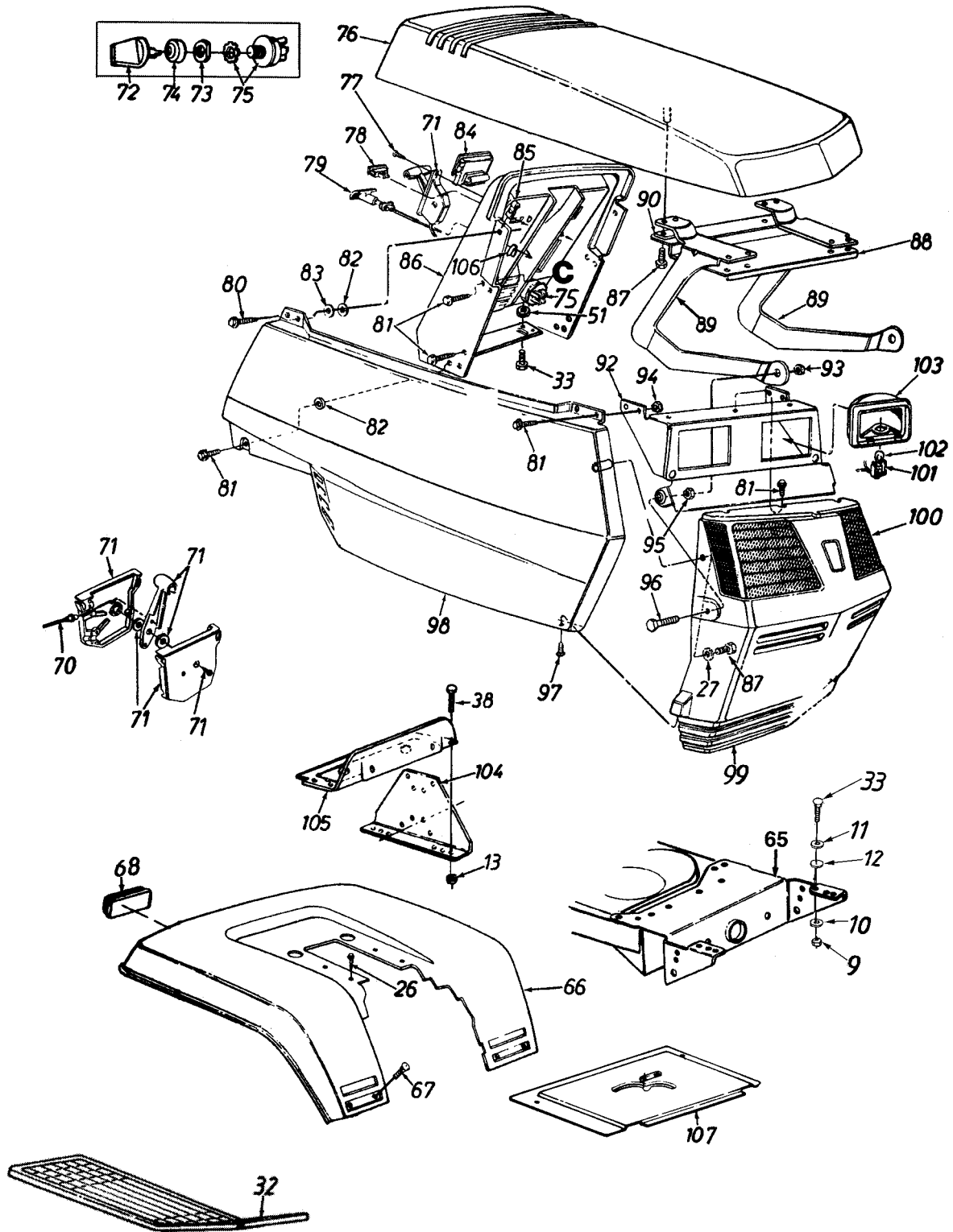


Models 663 and 673

| REF. NO. | PART NO. | DESCRIPTION | REF. NO. | PART NO. | DESCRIPTION |
|----------|-----------|-----------------------------------|----------|-----------|-----------------------------------|
| 1 | 783-0250 | Hood | 27 | 725-0925 | Ammeter ** |
| 2 | 738-0952A | Shld. Bolt .375" Dia. x .125" Lg. | 34 | 17870A | Fender |
| 3 | 710-0924 | Pan Hd. Scr. 1/4-20 x .75" Lg. | 35 | 17871B | Fender w/Cutout |
| 6 | 712-3006 | Hex Nut 1/4-20 Thd.* | 38 | 710-0726 | Hex Wash. Hd. AB-Tap Scr. |
| 9 | 712-3027 | Flange L-Nut 1/4-20 Thd. | 39 | 17954B | Shift Cover w/Cutout |
| 10 | 783-0156A | Grille | 40 | 17286B | Shift Cover |
| 13 | 725-0963 | Lamp | 41 | 831-0823A | Throttle Box Ass'y. |
| 14 | 725-1651 | Socket | 42 | 710-0779A | Truss Mach. AB-Tap Scr.#10 x .5" |
| 15 | 710-0703 | Carriage Bolt 1/4-20 x .75" Lg. | 43 | 746-0776 | Throttle Control Wire 18.5" Lg. |
| 16 | 710-0599 | Hex Wash. Hd. TT-Tap Scr.1/4-20 | | 746-0634 | Throttle Control Wire 35" Lg. |
| 17 | 736-0173 | Fl-Wash. .281" I.D. x .73" O.D. | | 746-0638 | Throttle Control Wire 22" Lg. |
| 19 | 712-0185 | Speed Nut 1/4-20 Thd. | 45 | 710-0603 | Hex Wash. Hd. B-Tap Scr.5/16-18 |
| 20 | 710-0376 | Hex Bolt 5/16-18 x 1" Lg. (Gr.5) | 46 | 17782 | Choke Retainer |
| 21 | 17632A | Gas Tank Support Brkt. | 47 | 710-0642 | Hex TT-Tap Scr. 1/4-20 x .75"Lg. |
| 22 | 731-1096B | Dash w/Ammeter Hole | 49 | 731-1503A | Lens |
| | 731-1337A | Dash w/o Ammeter Hole | 50 | 783-0151A | Side Panel L.H. |
| 23 | 725-0267 | Ignition Switch | 51 | 783-0150A | Side Panel R.H. |
| 24 | 725-0201 | Ignition Key | 71 | 726-0211 | U-Nut 5/16-18 Thd. |
| 25 | 746-0616A | Choke Control 23" Lg. | 72 | 710-0286 | Truss Mach. Scr. 1/4-20 x .5" Lg. |
| | 746-0614A | Choke Control 38" Lg. | 74 | 732-0835 | Hood Latch ** |
| | 746-3021 | Choke Control 29" Lg. | 75 | 710-0473 | Truss Mach. Scr. #10-24 x .5" |
| | 746-0720 | Choke Control 20" Lg. | 76 | 712-0272 | Hex Sems Nut 10-24 Thd. ** |
| 26 | 725-0634 | Light Switch ** | — | 629-0309 | Headlight Harness (Not Shown) |

** Optional

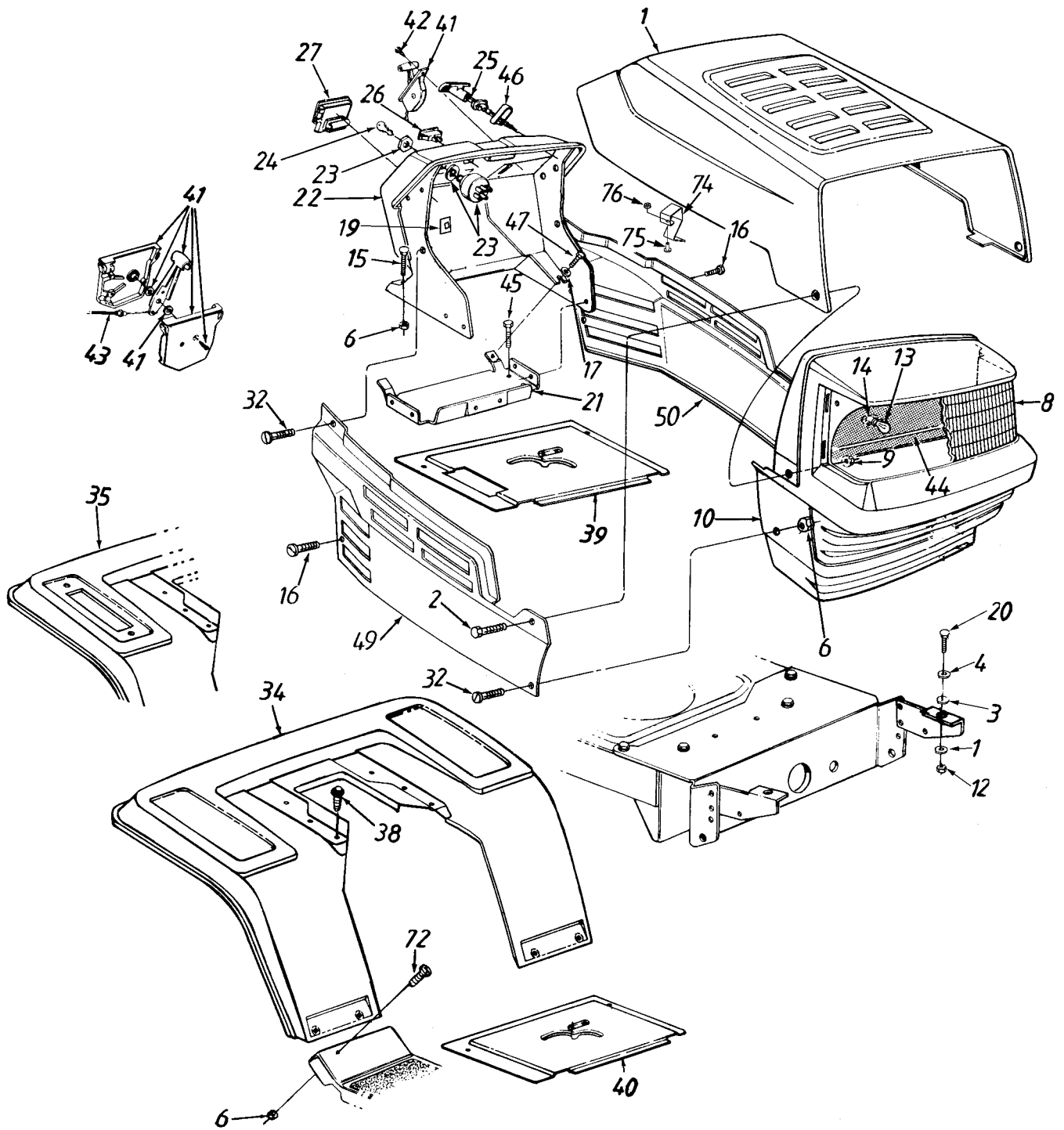
Model 674



Model 674

| REF. NO. | PART NO. | DESCRIPTION | REF. NO. | PART NO. | DESCRIPTION |
|----------|-----------|--------------------------------------|----------|-----------|-------------------------------------|
| 9 | 712-3010 | Hex Nut 5/16-18 Thd. | 82 | 726-0233 | Push Nut Fastener |
| 10 | 736-0119 | L-Wash. 5/16" I.D. | 83 | 736-0176 | FI-Wash. .27" I.D. x .948" |
| 11 | 736-3078 | FI-Wash. .34" I.D. x 1" O.D. | 84 | 725-0925 | Ammeter |
| 12 | 726-0201 | Speed Nut | 85 | 712-0185 | Speed Nut 1/4-20 Thd. |
| 13 | 712-0271 | Hex Sems Nut 1/4-20 Thd. | 86 | 731-0961A | Dash Panel |
| 26 | 710-0726 | Hex Wash. Hd. AB-Tap Scr.5/16 x .75" | 87 | 710-1005 | Hex Wash. Hd. B-Tap Scr.1/4 x .75" |
| 27 | 736-0142 | FI-Wash. .218" I.D. x .5" O.D. | 88 | 783-0121 | Hood Reinforcement |
| 32 | 731-0911 | Rubber Foot Pad L.H. (Optional) | 89 | 783-0123 | Hood Hinge |
| | 731-0912 | Rubber Foot Pad R.H. (Optional) | 90 | 17762 | Hood Reinforcement Spacer |
| 33 | 710-3008 | Hex Bolt 5/16-18 x .75" Lg.* | 92 | 17223 | Light Bracket |
| 38 | 710-0751 | Hex Bolt 1/4-20 x .62" Lg.* | 93 | 712-0158 | Hex L-Nut 5/16-18 Thd. |
| 51 | 712-0265 | Hex Sems Nut 5/16-18 Thd. | 94 | 712-0107 | Hex L-Nut 1/4-20 Thd. |
| 65 | 783-0041A | Pivot Bar Brkt. | 95 | 712-3007 | Hex Jam Nut 5/16-18 Thd. |
| 66 | 783-0350 | Fender | 96 | 710-0874 | Hex Bolt 5/16-18 x 7/8" Lg. |
| 67 | 710-0167 | Carriage Bolt 1/4-20 x .62" Lg. | 97 | 710-0351 | Truss Mach. B-Tap Scr.#10 x .5" Lg. |
| 68 | 725-3000 | Reflector (Optional) | 98 | 731-1434 | Side Cover-RH Yellow |
| 70 | 746-0776 | Throttle Wire 18.5" Lg. | | 731-1536 | Side Cover-RH Red |
| | 746-0634 | Throttle Wire 35" Lg. | | 731-1435 | Side Cover-LH (Not Shown) Yellow |
| | 746-0636 | Throttle Wire 28" Lg. | | 731-1535 | Side Cover-LH (Not Shown) Red |
| 71 | 831-0823A | Throttle Control Box Ass'y. | 99 | 731-1442A | Grille-Yellow |
| 72 | 725-1341B | Ignition Key | | 731-1537A | Grill-Red |
| 73 | 725-1346 | Ignition Switch Nut | 100 | 731-0949 | Lens-L.H. |
| 74 | 725-1347 | Ignition Switch Cap | | 731-0948 | Lens-R.H. |
| 75 | 725-1396 | Ignition Switch | 101 | 725-1650 | Twist Lock-Lamp Socket |
| 76 | 731-1433 | Hood-Yellow | 102 | 725-0963 | Lamp |
| | 731-1534 | Hood-Red | 103 | 731-0705 | Headlight Housing |
| 77 | 710-0779A | Truss Mach. AB-Tap Scr. #10 x.5" Lg. | 104 | 17300D | Dash Support Brkt. |
| 78 | 725-0634 | Light Switch | 105 | 17633A | Support Brkt. |
| 79 | 746-3021 | Choke Control 29" Lg. | 106 | 17782 | Choke Retainer |
| | 746-0614A | Choke Control 38" Lg. | 107 | 17286B | Shift Cover |
| 80 | 710-0642 | Hex Wash. Hd. Tap Scr.1/4 x .75" | — | 629-0309 | Headlight Harness (Not Shown) |
| 81 | 710-0599 | Hex Tap Scr. 1/4-20 x .5" Lg. | | | |

Models 665 and 675

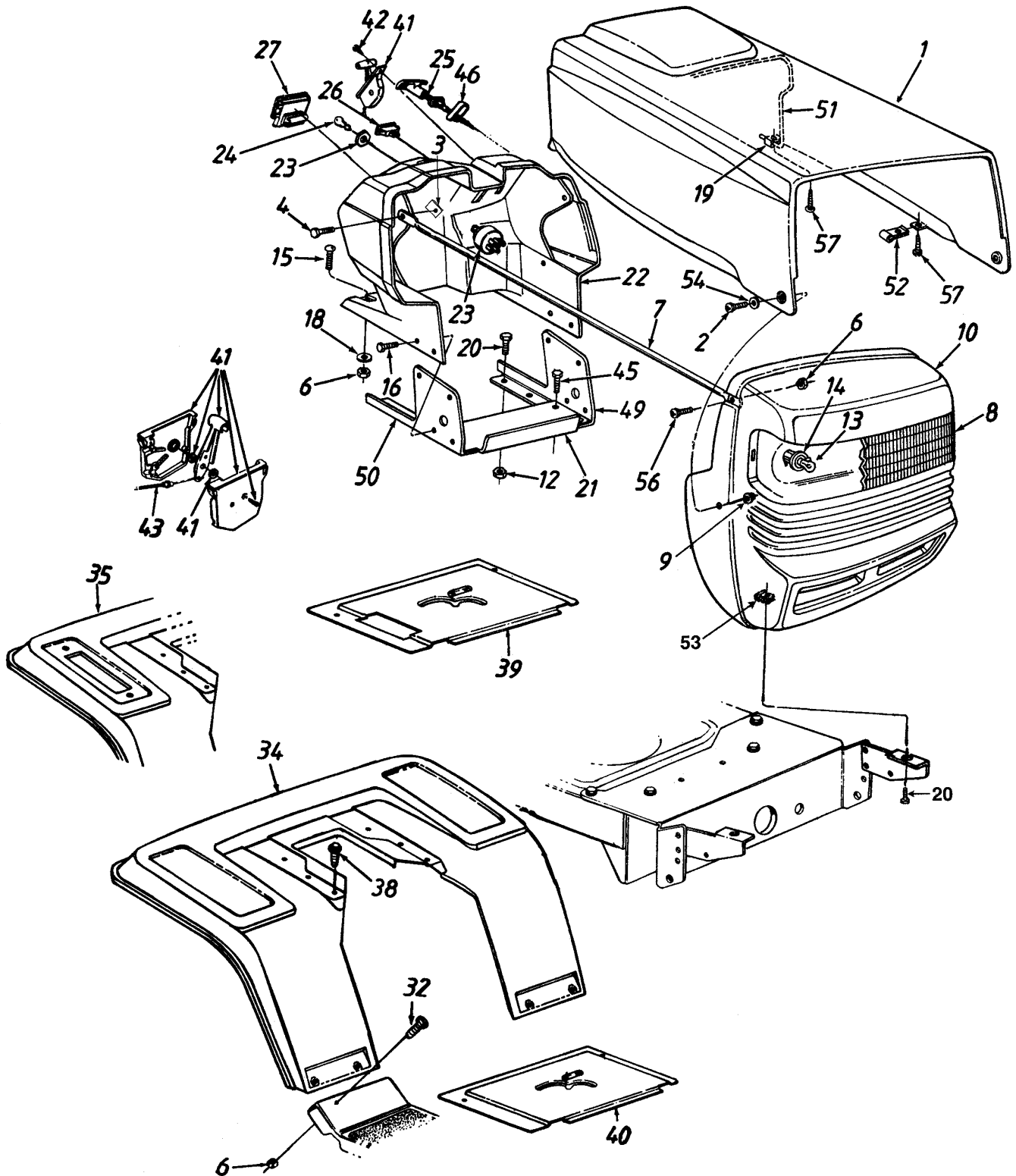


Models 665 and 675

| REF. NO. | PART NO. | DESCRIPTION | REF. NO. | PART NO. | DESCRIPTION |
|----------|-----------|---------------------------------------|----------|-----------|--------------------------------------|
| 1 | 783-0250 | Hood | 27 | 725-0925 | Ammeter ** |
| 2 | 738-0952A | Shld. Bolt .375" Dia. x .125" Lg. | 32 | 710-0924 | Pan Hd. Scr. 1/4-20 x .75" Lg. |
| 3 | 726-0201 | Speed Nut | 34 | 17870A | Fender |
| 4 | 736-3078 | Fl-Wash. .34" I.D. x 1" O.D. | 35 | 17871B | Fender w/Cutout |
| 6 | 712-3006 | Hex Sems Nut 1/4-20 Thd.* | 38 | 710-0726 | Hex Wash. Hd. AB-Tap Scr.5/16 x .75" |
| 8 | 731-1099A | Headlight Lens w/o Logo | 39 | 17954B | Shift Cover w/Cutout |
| | 731-1767 | Headlight Lens w/Logo | 40 | 17286B | Shift Cover |
| 9 | 712-3027 | Flange L-Nut 1/4-20 Thd. | 41 | 831-0823A | Throttle Box Ass'y. |
| 10 | 731-1097E | Grille | 42 | 710-0779A | Truss Mach. AB-Tap Scr.#10 x .5" Lg. |
| 11 | 736-0119 | L-Wash. 5/16" I.D. | 43 | 746-0776 | Throttle Control Wire 18.5" Lg. |
| 12 | 712-3010 | Hex Nut 5/16-18 Thd. (Gr.5) | | 746-0634 | Throttle Control Wire 35" Lg. |
| 13 | 725-0963 | Lamp | | 746-0638 | Throttle Control Wire 22" Lg. |
| 14 | 725-1649 | Socket | 44 | 777-9206 | Grille Reflector Label |
| 15 | 710-0703 | Carriage Bolt 1/4-20 x .75" Lg. | 45 | 710-0603 | Hex Wash. Hd. B-Tap Scr.5/16-18 |
| 16 | 710-0599 | Hex Wash. Hd. TT-Tap Scr.1/4-20 x .5" | 46 | 17782 | Choke Retainer |
| 17 | 736-0173 | Fl-Wash. .281" I.D. x .73" O.D. | 47 | 710-0642 | Hex TT-Tap Scr. 1/4-20 x .75"Lg. |
| 19 | 712-0185 | Speed Nut 1/4-20 Thd. | 48 | 736-0270 | Bell-Wash. 1/4" I.D. |
| 20 | 710-3008 | Hex Bolt 5/16-18 x .75" Lg. | 49 | 783-0150A | Side Panel-R.H. |
| 21 | 17632A | Gas Tank Support Brkt. | 50 | 783-0151 | Side Panel-L.H. |
| 22 | 731-1096B | Dash w/Ammeter Hole | 72 | 710-0286 | Truss Mach. Scr. 1/4-20 x .5" Lg. |
| | 731-1337A | Dash w/o Ammeter Hole | 73 | 736-0342 | Fl-Wash. .283" I.D. x .75" O.D. |
| 23 | 725-0267 | Ignition Switch | 74 | 732-0835 | Hood Latch ** |
| 24 | 725-0201 | Ignition Key | 75 | 710-0473 | Truss Mach. Scr. 10-24 x .5" Lg. ** |
| 25 | 746-0616A | Choke Control 23" Lg. | 76 | 712-0272 | Hex Sems Nut 10-24 Thd. ** |
| | 746-0614A | Choke Control 38" Lg. | — | 629-0308 | Headlight Harness (Not Shown) |
| | 746-3021 | Choke Control 29" Lg. | | | |
| | 746-0720 | Choke Control 20" Lg. | | | |
| 26 | 725-0634 | Light Switch ** | | | |

** Optional

Models 667 and 677



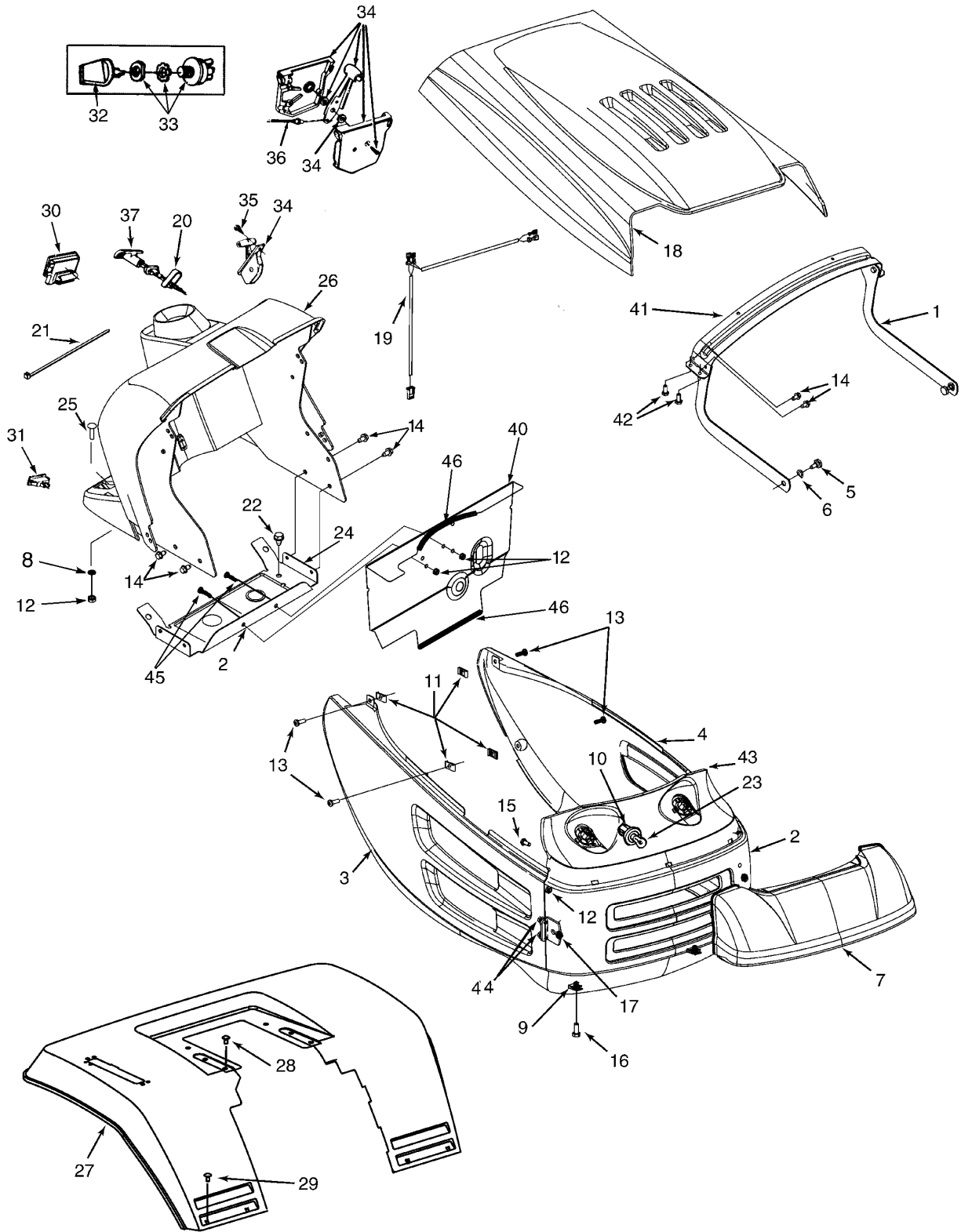
Models 667 and 677

| REF. NO. | PART NO. | DESCRIPTION | REF. NO. | PART NO. | DESCRIPTION |
|----------|-----------|---------------------------------------|----------|-----------|-----------------------------------|
| 1 | 783-0020 | Hood | 32 | 710-0286 | Truss Mach. Scr. 1/4-20 x .5" Lg. |
| 2 | 738-0952 | Shld. Bolt .375" Dia. x .125" Lg. | 34 | 17870A | Fender |
| 3 | 712-0185 | Speed Nut 1/4-20 Thd. | 35 | 17871B | Fender w/Cutout |
| 4 | 710-0206 | Hex Bolt 1/4-20 x .88" Lg.* | 39 | 17954B | Shift Cover w/Cutout |
| 5 | 736-0329 | L-Wash. 1/4" I.D.* | 40 | 17286B | Shift Cover |
| 6 | 712-0271 | Hex Sems Nut 1/4-20 Thd.* | 41 | 831-0823A | Throttle Box Ass'y. |
| 7 | 749-0916 | Grille Support Rod | 42 | 710-0779A | Truss Mach. AB-Tap Scr.#10 x .5" |
| 8 | 731-1362 | Headlight Lens | 43 | 746-0776 | Throttle Control Wire 18.5" Lg. |
| 9 | 712-3027 | Flange L-Nut 1/4-20 Thd. | | 746-0634 | Throttle Control Wire 35" Lg. |
| 10 | 783-0018A | Grille | | 746-0638 | Throttle Control Wire 22"Lg. |
| 11 | 736-0119 | L-Wash. 5/16" I.D.* | 45 | 710-0603 | Hex Wash. B-Tap Scr.5/16-18 x .5" |
| 12 | 712-0265 | Hex Sems Nut 5/16-18 Thd.* | 46 | 17782 | Choke Retainer |
| 13 | 725-0963 | Lamp | 49 | 783-0035A | Dash Reinforcement Brkt.— L.H. |
| 14 | 725-1651 | Socket | 50 | 783-0036A | Dash Reinforcement Brkt.— R.H. |
| 15 | 710-0703 | Carriage Bolt 1/4-20 x .75" Lg. | 51 | 732-0714 | Hood Spring |
| 16 | 710-0599 | Hex Wash. Hd. TT-Tap Scr.1/4-20 x .5" | 52 | 726-0339 | Flat Fastener (Special) |
| 18 | 726-0233 | Bolt Retainer 1/4" I.D. | 53 | 726-0211 | U-Nut 5/16-18 Thd. |
| 19 | 726-0130 | Speed Nut #10-24 Thd. | 54 | 736-0413 | Spr. Wash. .39" I.D. x .62" O.D. |
| 20 | 710-0376 | Hex Bolt 5/16-18 x .1" Lg. (Gr.5) | 55 | 736-0242 | Bell-Wash. .345" I.D. x .88" O.D. |
| 21 | 17633A | Gas Tank Support Brkt. | 56 | 710-0924 | Pan Hd. Scr. 1/4-20 x .75" Lg. |
| 22 | 731-1348 | Dash | 53 | 726-0211 | U-Nut 5/16-18 Thd. |
| 23 | 725-0267 | Ignition Switch | 54 | 736-0413 | Spr. Wash. .39" I.D. x .62" O.D. |
| 24 | 725-0201 | Ignition Key | 55 | 736-0242 | Bell-Wash. .345" I.D. x .88" O.D. |
| 25 | 746-0616A | Choke Control 23" Lg. | 56 | 710-0924 | Pan Hd. Scr. 1/4-20 x .75" Lg. |
| | 746-0614A | Choke Control 38" Lg. | 57 | 710-0351 | Truss Mach. Scr. #10-24 x .5" Lg. |
| | 746-3021 | Choke Control 29" Lg. | — | See Chart | Muffler (Single Cylinder Engines) |
| | 746-0720 | Choke Control 20" Lg. | — | 629-0308 | Headlight Harness (Not Shown) |
| 26 | 725-0634 | Light Switch | | | |
| 27 | 725-0925 | Ammeter | | | |

Muffler Chart

| Engine | Muffler | Mounting Hardware |
|---------------------------------------|----------|------------------------|
| 10.5, 11.5, 12, 12.5 & 13 H.P. B&S | 751-0302 | 712-0250 Conduit L-Nut |

Model 678



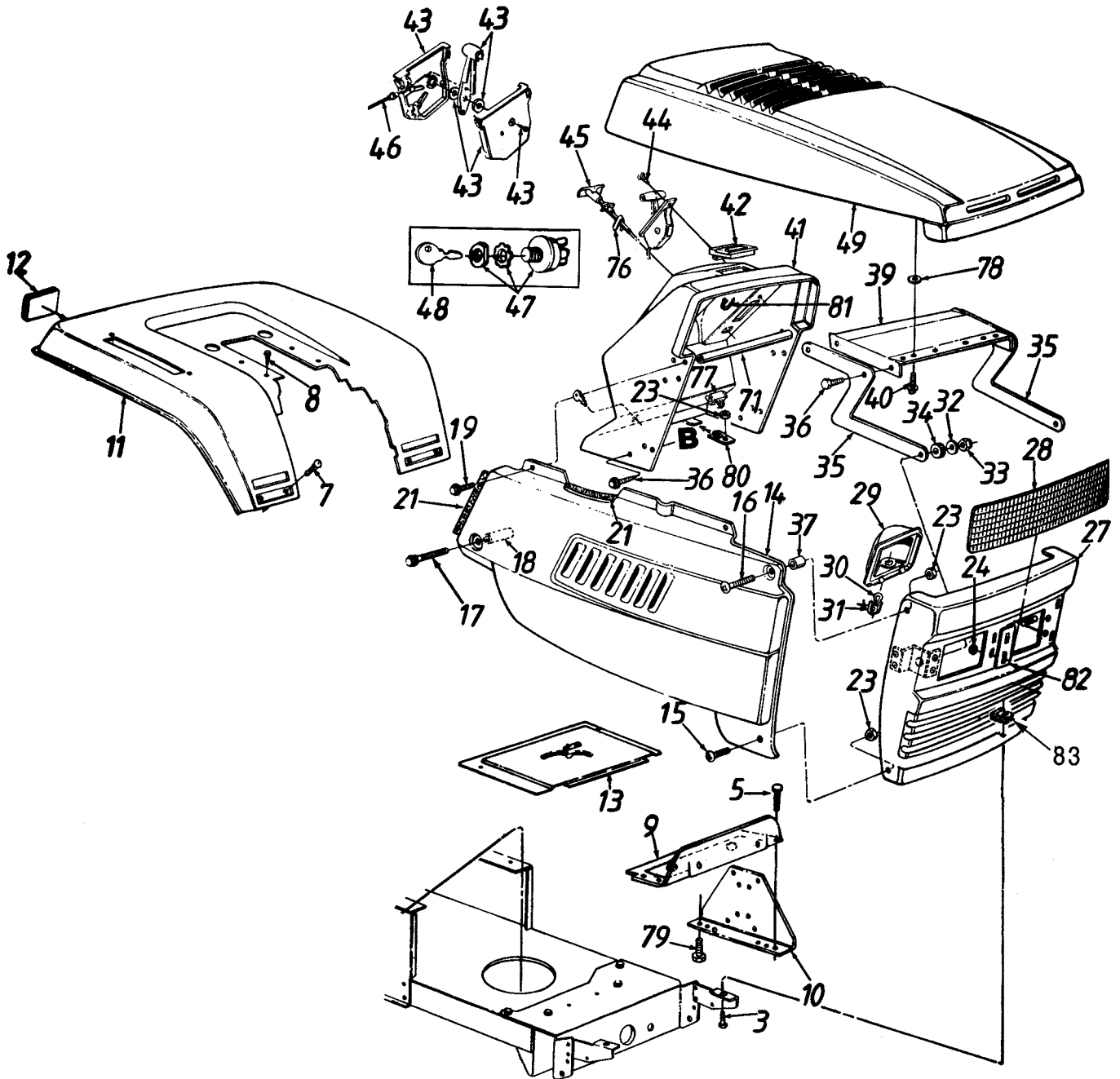
Model 678

| REF NO. | PART NO. | DESCRIPTION | REF NO. | PART NO. | DESCRIPTION |
|---------|-----------|---------------------------------------|---------|-------------|--------------------------------------|
| 1 | 783-0551A | Hood Brkt. | 27 | 783-0350 | Fender |
| 2 | 783-0477 | Grille | 28 | 710-0726 | Hex Wash. Hd. Tap Scr. 5/16 x .75" |
| 3 | 783-0476A | Side Panel -R.H. | 29 | 710-0286 | Truss Mach. Scr. 1/4-20 x .5" Lg. |
| 4 | 783-0475 | Side Panel - L.H. | 30 | 725-0925 | Ammeter |
| 5 | 738-0255 | Shld. Bolt .375" Dia. | 31 | 725-0634 | Light Switch |
| 6 | 736-0413 | Spr. Wash. .39" I.D. x .62" O.D. | 32 | 725-0201 | Ignition Key |
| 7 | 731-1854 | Lens | 33 | 725-0267 | Ignition Switch |
| 8 | 726-0233 | Retainer Nut | 34 | 831-0823A | Throttle Box Ass'y. |
| 9 | 726-0211 | U - Nut 5/16-18 Thd | 35 | 710-0779A | Truss Mach. AB-Tap Scr. #10 x .5" |
| 10 | 725-1651 | Socket | 36 | 746-0776 | Throttle Control Wire 18.5 " Lg |
| 11 | 712-0292 | Tinn. Nut 1/4-20 Thd. | | 746-0638 | Throttle Control Wire 22" Lg. |
| 12 | 712-3006 | Hex Nut 1/4-20 Thd. | | 746-0634 | Throttle Control Wire 35" Lg. |
| 13 | 710-0924 | Pan Hd. Mach. Scr. 1/4-20 x .75" Lg. | 37 | 746-0720 | Choke Control 20" Lg. |
| 14 | 710-0599 | Hex Wash. Hd. TT-Tap Scr. 1/4-20 x 5" | | 746-0616A | Choke Control 23" Lg. |
| 15 | 710-0751 | Hex Bolt 1/4-20 x .625" Lg. | | 746-3021 | Choke Control 29" Lg. |
| 16 | 710-0367 | Hex Bolt 5/16-18 x .1" Lg. (Gr.5) | | 746-0614A | Choke Control 38" Lg. |
| 17 | 683-0168 | Hood Pivot Brkt. Ass'y. | 40 | 16998A | Engine Baffle † |
| 18 | 683-0167 | Hood | | 731-1917 | Heat Duct (Not Shown) †† |
| 19 | 629-0308 | Headlight Harness | 41 | 783-0553A | Hood Brkt. Support |
| 20 | 17782 | Choke Retainer | 42 | 710-0351 | Pan Hd. Scr. #10-16 x .5" Lg. |
| 21 | 725-0157 | Cable Tie | 43 | 726-0293 | Retainer Nut |
| 22 | 710-0607 | Hex Wash. Hd. Tap Scr. 5/16-18 x .5" | 44 | 710-0896 | Hex Wash. AB-Tap Scr. 1/4-14 x .625" |
| 23 | 725-0963 | Lamp | 45 | 710-0166 | Pan Hd. Scr. 1/4-20 x 1" Lg. † |
| 24 | 17632A | Gas Tank Support Brkt. | 46 | 731-0511-15 | Trim Strip † |
| 25 | 710-0703 | Carriage Bolt 1/4-20 x .75" Lg. | | 722-3021 | 2-Sided Tape (Not Shown) †† |
| 26 | 731-1852 | Dash Panel | — | 17286B | Shift Cover (Not Shown) |

† B&S Twin Cylinder Engine Only.

†† Tecumseh Engine Only.

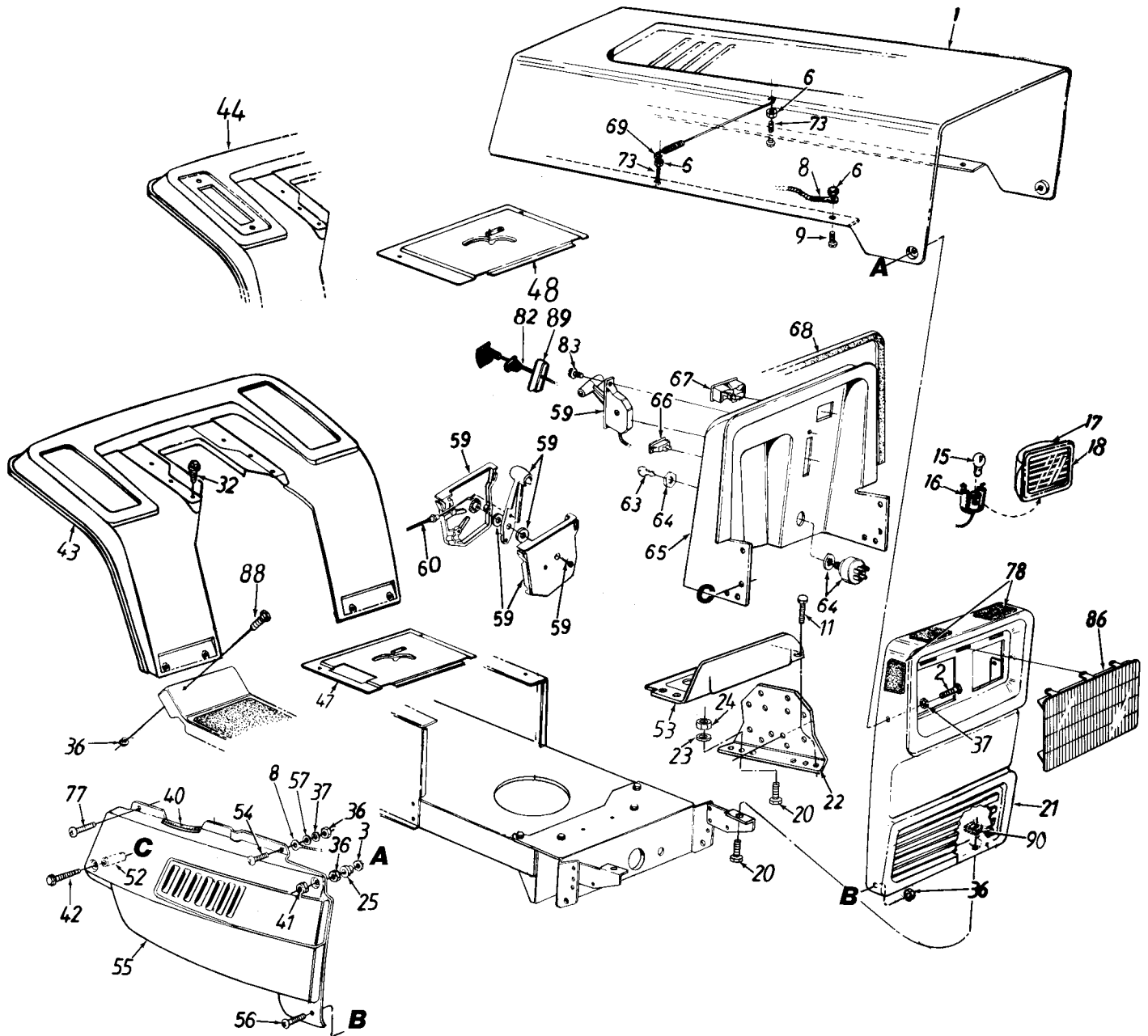
Model 679



Model 679

| REF. NO. | PART NO. | DESCRIPTION | REF. NO. | PART NO. | DESCRIPTION |
|----------|-------------|----------------------------------------|----------|-----------|-------------------------------------|
| 3 | 710-0376 | Hex Bolt 5/16-18 x .75" Lg. | 37 | 750-0218 | Spacer .262" I.D. x .31" |
| 5 | 710-0603 | Hex Wash. Hd. Scr. 5/16" x .5" Lg. | 39 | 16903A | Hood Plate |
| 7 | 710-0286 | Truss Mach. Scr. 1/4-20 x .5" Lg. | 40 | 710-1005 | Hex Wash. Hd. Tap Scr. 1/4-20 x .5" |
| 8 | 710-0726 | Hex Wash. Hd. Tap Scr. 5/16 x .75" Lg. | 41 | 731-1048B | Dash |
| 9 | 17633A | Support Bracket | 42 | 725-0925 | Ammeter |
| 10 | 17300D | Dash Support Bracket | 43 | 831-0823A | Throttle Control Box Ass'y. |
| 11 | 783-0350 | Rear Fender | 44 | 710-0919 | Mach. Scr. #10 x .44" Lg. |
| 12 | 730-3000 | Reflector (Optional) | 45 | 746-0616A | Choke Control 23" Lg. |
| 13 | 17286B | Transmission Cover | | 746-0614A | Choke Control 38" Lg. |
| 14 | 16725 | Side Panel —R.H. | | 746-3021 | Choke Control 29" Lg. |
| | 17309B | Side Panel —L.H. (Not Shown) | | 746-0720 | Choke Control 20" Lg. |
| | 17458A | Side Panel w/Foam— R.H. | 46 | 746-0776 | Throttle Control Wire 18.5" Lg. |
| | 17459A | Side Panel Ass'y. w/Foam —L.H. | | 746-0634 | Throttle Control Wire 35" Lg. |
| 15 | 710-0286 | Truss Mach. Scr. 1/4-20 x .5" Lg. | | 746-0638 | Throttle Control Wire 22" Lg. |
| 16 | 710-0166 | Truss Mach. Scr. 1/4-20 x 1.0" | 47 | 725-0267 | Ignition Switch |
| 17 | 710-1026 | Hex Wash. TT-Tap Scr. 1/4-20 x | 48 | 725-0201 | Ignition Key |
| 18 | 750-0768 | Spacer .26" I.D. x 1.32" | 49 | 731-1491A | Hood— Red |
| 19 | 710-0642 | Hex Rolling Tap Scr. 1/4-20 x .75" Lg. | | 731-1531A | Hood— Charcoal |
| 21 | 731-0511-18 | Trim Strip 18" Lg. | | 731-1497A | Hood— Oyster Gray |
| 23 | 712-0271 | Hex Sems Nut 1/4-20 Thd.* | | 731-1704A | Hood—Evergreen |
| 24 | 726-0201 | Speed Nut 5/16" Thd. | | 731-1893A | Hood—Black |
| 25 | 712-0265 | Hex Sems Nut 5/16-18 Thd.* | 71 | 749-0814 | Grille Support Tube |
| 27 | 17410 | Grille Ass'y. | 73 | 736-0607 | External L-Wash. 5/16" I.D. |
| 28 | 731-1044 | Headlight Lens | 76 | 17782 | Choke Retainer |
| 29 | 731-0705 | Headlamp Housing | 77 | 725-0634 | Light Switch |
| 30 | 725-0963 | Headlamp | 78 | 736-3010 | FI-Wash. .406" I.D. x .812" O.D. |
| 31 | 725-1650 | Twist Lock Lamp Socket | 79 | 710-0206 | Hex Bolt 1/4-20 x .88" Lg. |
| 32 | 736-0242 | Bell-Wash. .345" I.D. x .88" | 80 | 783-0013 | Dash Fastening Tab |
| 33 | 712-0429 | Hex L-Nut 5/16-18 Thd. | 81 | 725-0157 | Cable Tie |
| 34 | 735-0126 | Rubber Washer | 82 | 777-8568A | Chrome Label |
| 35 | 783-0190 | Hood Hinge | 83 | 726-0211 | U-Nut 5/16-18 Thd. |
| 36 | 710-0599 | Hex Wash. Hd. B-Tap Scr. 1/4-20 x .5" | | | |

Model 67A

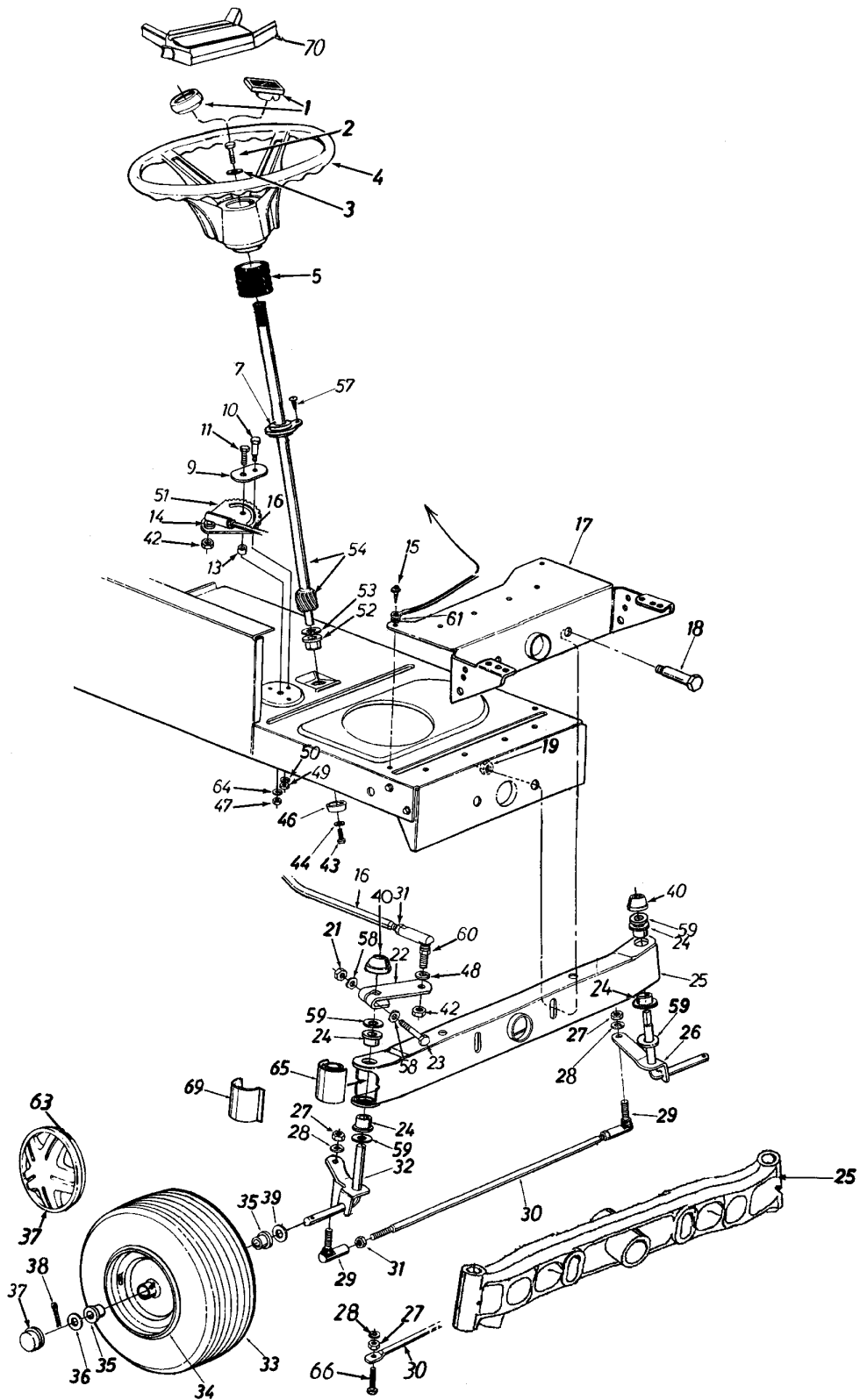


Model 67A

| REF. NO. | PART NO. | DESCRIPTION | REF. NO. | PART NO. | DESCRIPTION |
|----------|-------------|---------------------------------------|----------|-------------|------------------------------------------------|
| 1 | 16787B | Hood | | 16725 | Side Cover R.H. (Tec.) |
| 2 | 710-0206 | Hex Bolt 1/4-20 x .88" Lg. | | 17458A | Side Cover w/Foam R.H. |
| 3 | 736-0413 | Washer .39" I.D. x .62" | | 17309B | Side Panel L.H. (Not Shown) |
| 6 | 712-0272 | Hex Sems Nut #10-24 Thd.* | | 17459A | Side Cover w/Foam L.H.(Not Shown) |
| 8 | 727-0290A | Hood Stop | 56 | 710-0286 | Truss Mach. Scr. 1/4-20 x .50"Lg.* |
| 9 | 710-0473 | Truss Hd. Scr. #10-24 x 1/2" | 57 | 736-0173 | Fl-Wash. .281" I.D. x .73" O.D. |
| 11 | 710-0603 | Hex Wash. Hd. B-Tap Scr.5/16-18 x .5" | 59 | 831-0823A | Throttle Control Box Ass'y. |
| 15 | 725-0963 | Bulb | 60 | 746-0776 | Throttle Control Wire 18.5" Lg. |
| 16 | 725-1650 | Twist Lock Bulb Socket | | 746-0634 | Throttle Control Wire 35" Lg. |
| 17 | 731-0705 | Headlight Housing | 63 | 725-0201 | Ignition Key |
| 18 | 731-0706 | Lens | 64 | 725-0267 | Ignition Switch |
| 20 | 710-0118 | Hex Bolt 5/16-18 x .75" Lg.* | 65 | 17295 | Dash Panel |
| 21 | 15806B | Grille | 66 | 725-0634 | Light Switch |
| | 16456C | Grille Used w/Headlight Bezel | 67 | 725-0925 | Ammeter |
| 22 | 17300D | Dash Support Bracket | 68 | 731-0511-31 | Trim Strip 31" |
| 23 | 736-0119 | L-Wash. 5/16" I.D.* | 69 | 732-0462 | Hood Spring |
| 24 | 712-0267 | Hex Nut 5/16-18 Thd.* | 73 | 710-0749 | Hex Scr. #10-24 x 1.0" Lg. |
| 25 | 738-0759 | Shld. Spacer | 77 | 710-0642 | Hex Wash. Hd. Tap Scr.1/4 x .75" Lg. |
| 36 | 712-0271 | Hex Sems Nut 1/4-20 Thd.* | 78 | 722-0157 | Foam Strip 3/8 x 1-1/8" x 1-1/2 Lg. (4 Req'd.) |
| 40 | 731-0511-12 | Trim Strip 12" | | | |
| 41 | 712-0264 | Acorn Nut 1/4-20 Thd. | 82 | 746-0615A | Choke Control 29" Lg. |
| 42 | 710-1026 | Hex TT-Tap Scr. 1/4-20 x 1.75" | | 746-0613A | Choke Control 46" Lg. |
| 43 | 17870A | Rear Fender | 83 | 710-0779A | Truss Mach. AB-Tap Scr.#10 x .5" Lg. |
| 44 | 17871B | Rear Fender w/Cutout | 86 | 731-0967 | Headlight Bezel** |
| 47 | 17954B | Shift Cover w/Cutout | 88 | 710-0286 | Truss Mach. Scr. 1/4-20 x .5" Lg. |
| 48 | 17286B | Shift Cover | 89 | 17782 | Retainer Clip |
| 52 | 750-0768 | Spacer 1.32" Lg. | 90 | 726-0211 | U-Nut 5/16-18 Thd. |
| 53 | 17633A | Support Brkt. | — | See Chart | Muffler (Single Cylinder Engine) |
| 54 | 710-0255 | Truss Hd. Scr. 1/4-20 x .75" | — | 629-0309 | Headlight Harness (Not Shown) |
| 55 | 17308B | Side Panel R.H. | | | |

*For faster service obtain standard nuts, bolts and washers locally. If these items cannot be obtained locally, order by part number and size as shown on parts list.

Models 660 thru 679

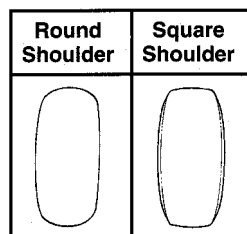


Models 660 thru 679

| REF NO. | PART NO. | DESCRIPTION | REF NO. | PART NO. | DESCRIPTION |
|---------|-----------|---------------------------------------------------|---------|-----------|-------------------------------------|
| 1 | 731-0220 | Steering Wheel Cap | 30 | 747-0753 | Tie Rod (Adjustable) |
| | 731-1459A | Steering Wheel Cap (Sq.—MTD) | | 747-0861 | Tie Rod (Non-Adjustable) |
| | 731-1460 | Steering Wheel Cap (Sq.—No logo) | 31 | 712-0711 | Hex Jam Nut 3/8-24 Thd.* |
| 2 | 710-0643 | Hex Bolt 5/16-18 x 1" Lg. | 32 | ** | Front Axle Ass'y.—R.H. |
| 3 | 736-0242 | Belleville Wash. .345" I.D. | 33 | ** | Wheel Ass'y. Comp. |
| 4 | 731-1693 | Steering Wheel (3 Spoke)† | 34 | ** | Front Wheel Rim Only |
| | 731-1687 | Steering Wheel (3 Spoke)†† | 35 | ** | Bearing |
| | 631-0027 | Steering Wheel (4 Spoke) | 36 | 736-0285 | FI-Wash. .635 I.D. x 1.59" O.D. |
| 5 | 731-0559A | Steering Bellow—4.5" (Style A) | 37 | 731-0484A | Front Wheel Hub Cap |
| | 731-0954 | Steering Bellow—9" (Style 0, 1, 3, 4, 5, 6, 8, 9) | | 731-1787A | Spoked Hub Cap (Yellow—Opt.) |
| | 731-1542 | Steering Bellow—3.25" (Style 7) | | 734-1613A | Spoked Hub Cap (Gray—Opt.) |
| 6 | 712-0240 | Hex Jam Nut 7/16-20 Thd. | | 734-1612A | Spoked Hub Cap (Beige—Opt.) |
| 7 | 741-0587 | Flange Bearing .628" I.D. x 1.36 O.D. | 38 | 714-0470 | Cotter Pin 1/8" Dia. x 1.25"** |
| 8 | 723-0448 | Ball Joint 7/16-20 Thd. | 39 | 736-0162 | FI-Wash. .640" I.D. x 1.24" O.D. |
| 9 | 17198A | Retainer Plate | 40 | 726-0214 | Push Cap 5/8" Dia. Rod |
| 10 | 738-0141 | Shoulder Bolt .437 x .35 Lg. 5/16-18 | 42 | 712-0262 | Hex Jam Nut 3/8-24 Thd. |
| 11 | 710-0152 | Hex Bolt 3/8-24 x 1.0" Lg. (Gr. 5) | 43 | 710-1309 | Hex Patch Bolt 5/16-18 x .62** |
| 13 | 750-0535 | Spacer .380" I.D. x .625" O.D.x | 46 | 748-0389 | Cap |
| 14 | 736-0217 | L-Wash. 3/8" I.D. (H.D.) | 47 | 712-0214 | Hex Cent. L-Nut 3/8-24 Thd. |
| 15 | 710-0726 | Hex Wash. Hd. Self-Tap Scr. | 48 | 736-0169 | L-Wash. 3/8" I.D.* |
| 16 | 711-1107 | Steering Drag Link | 49 | 712-0158 | Hex Cent. L-Nut 5/16-18 Thd. |
| 17 | 783-0041B | Front Pivot Brkt. | 50 | 736-0119 | L-Wash. 5/16" I.D.* |
| 18 | 738-0527 | Shoulder Bolt | 51 | 717-0622A | Steering Gear Segment |
| 19 | 712-0431 | Flanged L- Nut 3/8-16 Thd.* | 52 | 741-0656 | Hex Flg. Brg. .634 I.D. |
| 21 | 712-0411 | Hex L-Nut 5/16-24 Thd. | 53 | 736-0187 | FI-Wash. (Hardened) |
| 22 | 16481A | Steering Arm Front Axle | 54 | 738-0919 | Steering Shaft |
| 23 | 710-0593 | Hex Bolt 5/16-24 x 2.25" Lg. | 57 | 710-0837 | Oval Hd. Cr.—Sunk Scr. (Style A) |
| 24 | 741-0659 | Hex Flg. Brg. .632 I.D. | 58 | 736-3081 | Wave-Wash. .32" I.D. x .60" O.D. |
| 25 | 683-0128A | Pivot Bar Ass'y. (Steel) | 59 | 736-0187 | FI-Wash. (Hardened) |
| | 719-0342A | Pivot Bar Ass'y. (Cast Iron) | 60 | 723-0448 | Drag Link Ball Joint 7/16-20 Thd. |
| | ** | Grease Fitting (Cast Iron) | 63 | 727-0425A | Spring Clip (Used w/Spoked Hub Cap) |
| 26 | ** | Front Axle Ass'y.—L.H. | 64 | 736-0356 | Bell-Wash. .39" I.D. x 1.38" O.D. |
| 27 | 712-0241 | Hex Nut 3/8-24 Thd.* | 65 | 731-1291A | Pivot Bar End Cap (Optional) |
| 28 | 736-0169 | L-Wash. 3/8" I.D.* | 66 | 710-0459 | Hex Bolt 3/8-24 x 1.5" Lg. (Gr. 5) |
| 29 | 723-3018 | Ball Joint 3/8-24 Thd. | 69 | 731-1649 | Axle Cap |
| | | | 70 | 731-0955 | Steering Wheel Insert (Optional) |

† Uses Round Steering Wheel Cap

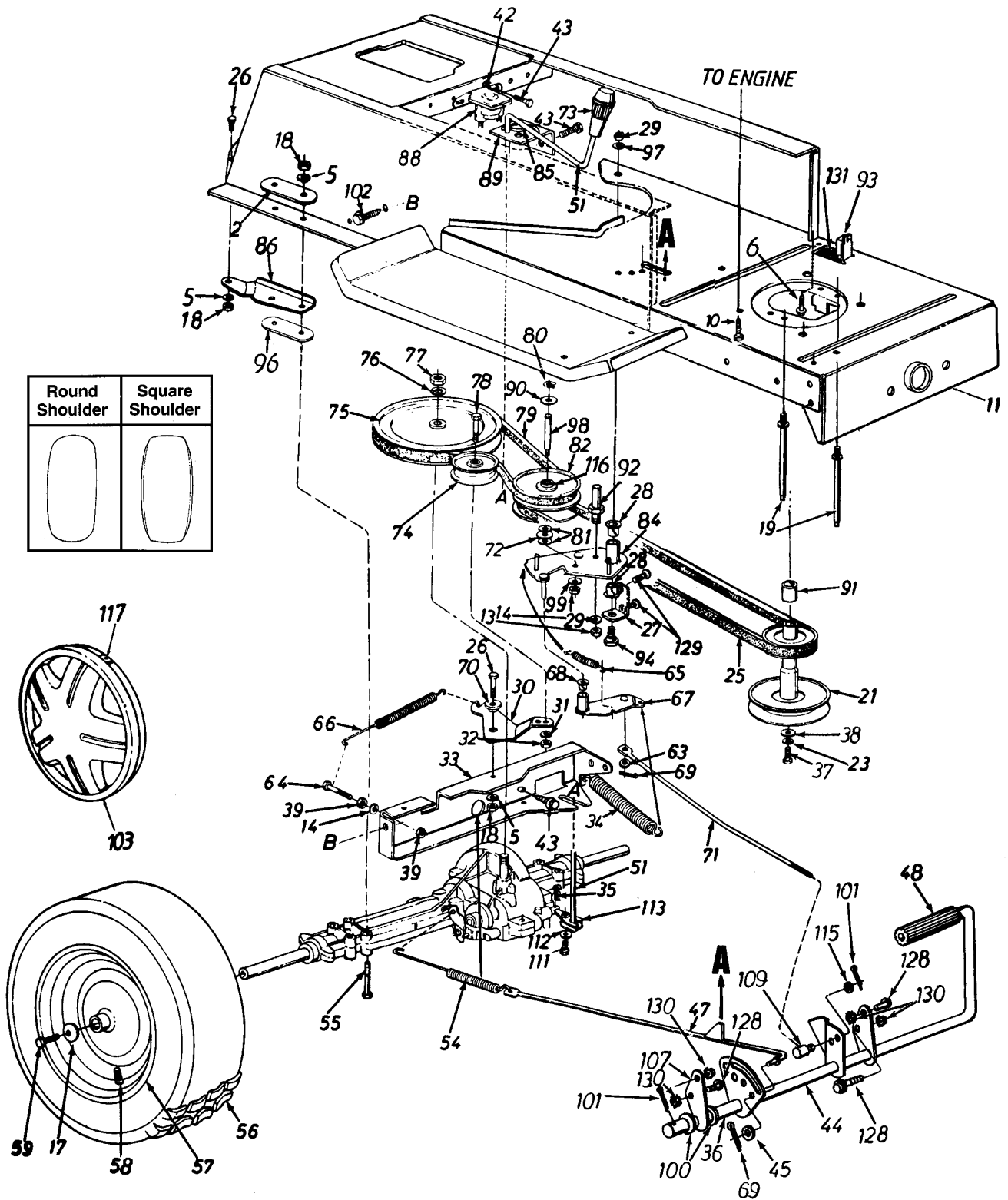
†† Uses Square Steering Wheel Cap



**FRONT WHEEL CHART

| Description | 15" x 6" (Round Shoulder) | 15" x 6" (Square Shoulder) |
|-----------------------------------|------------------------------|-------------------------------|
| Wheel Ass'y. Comp. | 634-0056A | 634-0105A |
| Tire Only | 734-0864 | 734-1731 |
| Rim Only | 634-0024 | 634-0024 |
| Bearing | 741-0487A | 741-0487A |
| Air Valve | 734-0255 | 734-0255 |
| Grease Plug | 737-0212A | 737-0212A |
| Front Axle Ass'y.—L.H. | 683-0127 | 683-0127 |
| Front Axle Ass'y.—R.H. | 683-0126 | 683-0126 |
| Front Axle Ass'y.—L.H. (46" Deck) | 683-0124 | 683-0124 |
| Front Axle Ass'y.—R.H. (46" Deck) | 683-0125 | 683-0125 |

Models 660 thru 679



IMPORTANT: For a proper working machine, use Factory Approved Parts.
V-BELTS are specially designed to engage and disengage safely. A substitute (non OEM) V-belt can be dangerous by not disengaging completely.

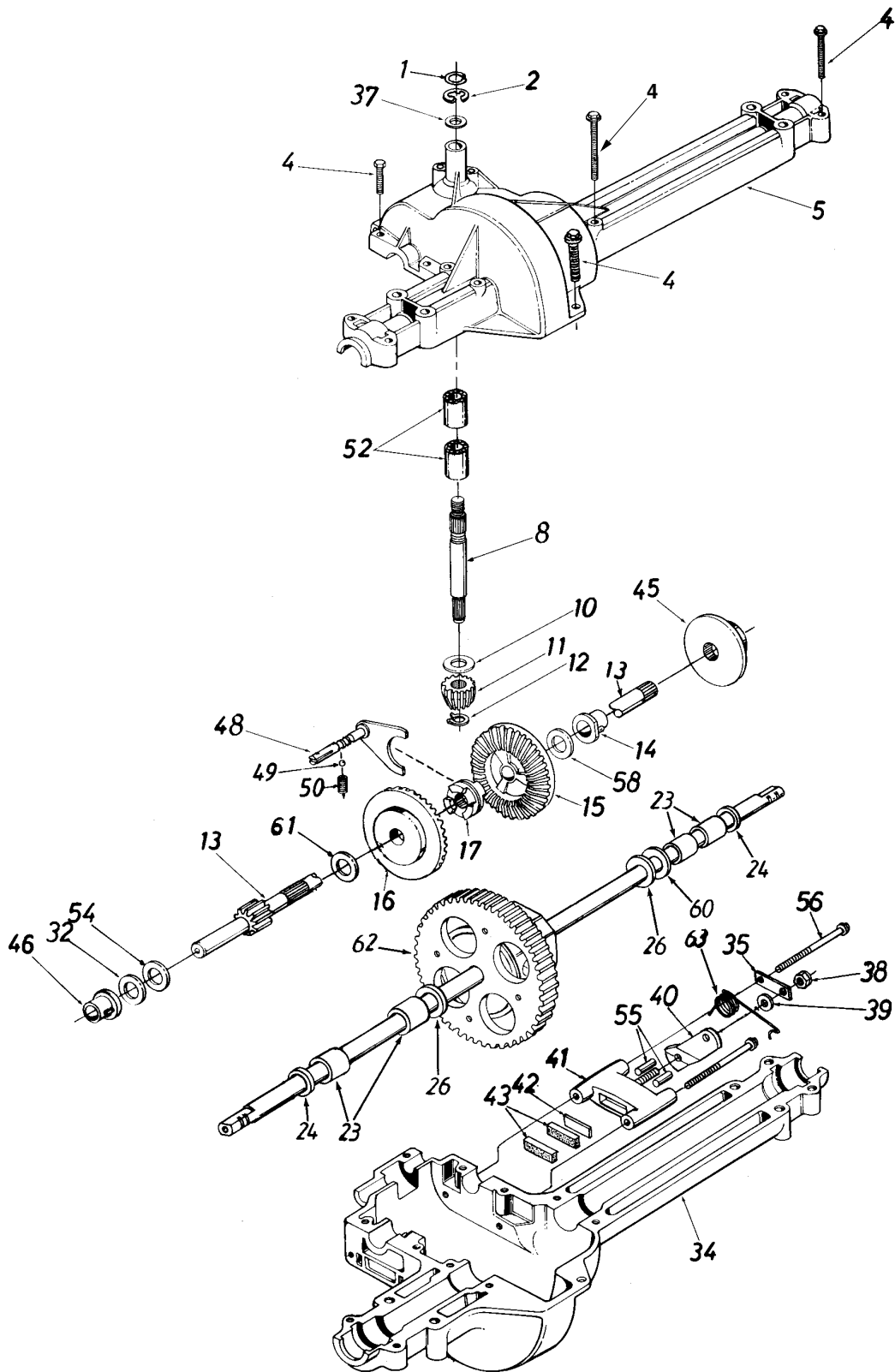
Models 660 thru 679

| Ref. No. | Part No. | Description | Ref. No. | Part No. | Description |
|----------|-----------|----------------------------------------------------------------|----------|-----------|--------------------------------------------|
| 2 | 17840 | Transaxle Mtg. Brkt. | 71 | 747-0530A | Speed Control Link |
| 5 | 736-0119 | L-Wash. 5/16" I.D.* | 72 | 741-0405 | Truss Bearing .56 Dia. x 1.25" |
| 10 | 710-1315 | Hex TT-Tap Scr. 3/8-16 x1.5" Lg. | 73 | 720-0232 | Shift Knob |
| 11 | 783-0310C | Lower Frame Ass'y. | 74 | 756-0643 | FI-Idler Pulley 3.12" Dia. |
| 13 | 712-3006 | Hex Nut 1/4-20 Thd. (Gr. 5) | 75 | 656-0005 | "V" Pulley (Used w/46" Deck) |
| 14 | 736-0329 | L-Wash. 1/4" I.D.* | | 656-0004 | "V" Pulley (Used w/20"Wheels w/o 46" Deck) |
| 17 | 736-0242 | Bell-Wash. .345" I.D. x .88" | 76 | 736-0427 | Bell-Wash. .56" I.D. x 1.125" |
| 18 | 712-3010 | Hex Nut 5/16-18 Thd. (Gr. 5) | 77 | 712-3035 | Hex Jam Nut 5/16-18 Thd. |
| 19 | 711-1044 | Belt Guard Stud 4.75" Lg. | 78 | 710-0539 | Hex Bolt 3/8-24 x 1.75" Lg. |
| 21 | 756-0982 | Engine Pulley | 79 | 754-0370 | Variable Speed Belt |
| 22 | 736-0322 | FI-Wash. 7/16" I.D. x 1.25" | 80 | 716-0114 | Snap Ring .56" Dia. |
| 23 | 736-0171 | L-Wash. 7/16" I.D.* | 81 | 736-0355 | FI-Wash. |
| 24 | 710-0757 | Hex Bolt 7/16-20 x 1.50" Lg. | 82 | 717-0800A | Variable Speed Pulley Ass'y. |
| 25 | 754-0280A | Variable-Speed Belt | 84 | 16354B | Variable Speed Brkt. Ass'y. |
| 26 | 710-3008 | Hex Bolt 5/16-18 x .75" Lg. | 85 | 732-0525 | Comp. Spring—Clip |
| 27 | 17963 | Bearing Shaft Bracket Ass'y. | 86 | 17668 | Axle Support Brkt.—R.H. |
| 28 | 741-0495 | Flanged Nyliner Brg. 5/8" I.D. x .88" Lg. | | 17669 | Axle Support Brkt.—L.H. (Not Shown) |
| 29 | 712-0241 | Hex Nut 3/8-24 Thd.* | 88 | 725-1426 | Solenoid |
| 30 | 17643 | Idler Bracket (Used w/20"Wheels w/o 46" Deck) | 89 | 17630 | Shift Lever Bracket |
| | 17694 | Idler Bracket (Used w/46" Deck) | 90 | 736-0414 | Teflon Washer .565" I.D. |
| 31 | 736-0169 | L-Wash. 3/8" I.D.* | 91 | 750-0956 | Spacer 1" I.D. x 1.25" Lg. |
| 32 | 712-0241 | Hex Nut 3/8-24 Thd.* | 92 | 711-1000 | Belt Keeper 3" Lg. |
| 33 | 17629A | Transaxle Support Brkt. | 93 | 725-1657A | Safety Switch (Clutch) |
| 34 | 732-0556 | Ext. Spring .94" O.D. x 7.58" | 94 | 738-0755 | Shld. Bolt 3/8-24 x 3.12" Lg. |
| 35 | 714-0149B | Inter. Cotter Pin | 97 | 736-0105 | Bell-Wash. .38" I.D. x .88" |
| 36 | 750-0802 | Spacer .63" I.D. | 98 | 738-0569 | Shaft .56" Dia. x 3.875" Lg. |
| 39 | 712-0138 | Hex Nut 1/4-28 Thd. | 99 | 736-0331 | Bell-Wash. .39" I.D. x 1.12" |
| 40 | 710-0776 | Hex AB-Tap Scr. 1/4" x .62" Lg. | 100 | 736-0256 | FI-Wash. .64" I.D. x .94" |
| 42 | 736-0222 | Ext. L-Wash. 1/4" I.D. | 101 | 714-0470 | Cotter Pin 1/8" Dia. x 1.25" |
| 43 | 710-0599 | Hex Wash. S-Tap Scr. 1/4-20 x .50" Lg. | 102 | 710-0604A | Hex Wash. Hd. Scr. 5/16-18 x .62" |
| 44 | 683-0123 | Clutch/Brake Pedal Ass'y. | 103 | 734-1615A | Hub Cap (Gray—Optional) |
| 45 | 736-0140 | FI-Wash. .344" I.D. x .62" | | 734-1614A | Hub Cap (Beige—Optional) |
| 47 | 747-0755A | Brake Rod Ass'y. | | 734-1788A | Hub Cap (Yellow—Optional) |
| 48 | 735-0196 | Foot Pad | 107 | 17860 | Pedal Bracket |
| 51 | 17705 | Shift Lever Ass'y. | 109 | 711-0198 | Ferrule |
| 54 | 732-0413 | Ext. Spring .59" O.D. x 7.08" (Used w/ 20" Wheels w/o 46"Deck) | 111 | 710-0195 | Hex Bolt 1/4-28 x .50" Lg. |
| | 732-0642 | Ext. Spring 7.33" Lg. (Used w/46" Deck) | 112 | 736-0270 | Bell-Wash. .265" I.D. x .75" |
| 55 | 710-1068 | Hex Bolt 5/16-18 x 3.5" Lg. (Used w/46" Deck) | 113 | 17707 | Shift Lever Link Ass'y. |
| | 710-0189 | Hex Bolt 5/16-18 x 3" Lg.* (Used w/20" Wheels w/o 46" Deck) | 115 | 736-0140 | FI-Wash. .385" I.D. x .62" |
| 56 | ** | Wheel Ass'y. Comp. | 116 | 741-0404 | Needle Brgs. (2 Req'd.) |
| | ** | Tire Only | 117 | 727-0425A | Spring Clip (Used w/Ref. No. 103) |
| 57 | ** | Wheel Rim Only | 128 | 710-1238 | Hex Wash. TT-Tap Scr. 5/16-18x .75" |
| 58 | 734-0255 | Air Valve (Service Only) | 129 | 710-0726 | Hex Wash. AB-Tap Scr. 5/16-18x .75" |
| 59 | 710-0627 | Hex Bolt 5/16-24 x .75" Lg.* | 130 | 712-0265 | Hex Sems Nut 5/16-18 Thd. |
| 63 | 736-0275 | FI-Wash. .34" I.D. x .68" O.D. | 131 | 732-0750A | Spring Switch |
| 64 | 710-0428 | Hex Bolt 1/4-28 x 1.25" Lg.* | | | |
| 65 | 732-0568 | Ext. Spring | | | |
| 66 | 732-0384 | Ext. Spring .62" O.D. x 6.12" | | | |
| 67 | 16554A | Variable Speed Torque Brkt. Ass'y. | | | |
| 68 | 741-0419 | Flanged Bearing | | | |
| 69 | 714-0111 | Cotter Pin 3/32" Dia.* | | | |
| 70 | 748-0234 | Shoulder Spacer .27" Lg. | | | |

**REAR WHEEL CHART

| Description | 20" x 8.0" (Round Shoulder) | 20" x 8.0" (Square Shoulder) |
|--------------------|--------------------------------|---------------------------------|
| Wheel Ass'y. Comp. | 734-1675 | 634-0104 |
| Tire Only | 734-1596 | 734-1730 |
| Rim Only | 634-0070 | 634-0070 |

Models 660 thru 679



Single Speed Transaxle—R.H.
Model 618-0163B

Models 660 thru 679

| REF. NO. | PART NO. | DESCRIPTION | REF. NO. | PART NO. | DESCRIPTION |
|----------|-----------|--------------------------------------|----------|----------|------------------------------------------|
| 1 | 732-0614 | Wire Ring | 39 | 736-0371 | FI-Wash. .344" I.D. x .875" O.D. |
| 2 | 716-0231 | "E"—Ring | 40 | 717-0700 | Actuating Arm |
| 4 | 710-1325 | Hex Tap Scr. 1/4-20 x 1.625 Lg. | 41 | 761-0198 | Brake Yoke |
| 5 | 719-0367 | Upper Housing | 42 | 717-0682 | Puck Plate |
| 8 | 711-1109 | Input Shaft | 43 | 717-0678 | Brake Puck |
| 10 | 736-0335 | Thrust Washer 5/8" I.D. x 1.25" O.D. | 45 | 761-0202 | Brake Disc |
| 11 | 717-1464 | Pinion Input 14T | 46 | 741-0337 | Flange Bearing 5/8" I.D. x 15/16" Lg. |
| 12 | 716-0108 | Retaining Ring | 48 | 611-0011 | Shift Fork Ass'y. |
| 13 | 711-1003 | Drive Shaft—R.H. Brake | 49 | 741-0862 | Ball Detent .250" Dia. |
| 14 | 741-0336 | Flange Brg. 5/8" I.D. x 3/4" Lg.* | 50 | 732-0863 | Spring Detent |
| 15 | 717-1362 | Bevel Gear 42T Small I.D. | 52 | 741-0335 | Needle Brg. 5/8" I.D. x 1/2" Lg. |
| 16 | 717-1363 | Bevel Gear 42T Large I.D. | 54 | 736-0349 | FI-Wash. 5/8" I.D. x 1" O.D. x .020 Thk. |
| 17 | 718-0228 | Clutch Collar | 55 | 741-0343 | Actuating Pin 5/16" Dia. |
| 21 | 710-0862A | Pan Head Scr. 1/4-20 x .50" Lg. | 56 | 710-1206 | Hex Wash Hd. Self-Tap Scr. 1/4-20 |
| 23 | 741-0340 | Sleeve Bearing 3/4" I.D. x 1.0" Lg. | 58 | 736-0349 | FI-Wash. 5/8" I.D. x 1" O.D. x .020 Thk. |
| 24 | 721-0338 | Oil Seal 3/4" I.D. | | 736-0495 | Thrust Wash. 5/8" I.D. x 1" O.D. x .025" |
| 26 | 736-0445 | FI-Wash. .760" I.D. x 1.5" O.D. | 60 | ** | Washer (See Below) |
| 32 | ** | Washer (See Below) | 61 | 736-0519 | Thrust Washer |
| 34 | 719-0313B | Lower Housing | 62 | 618-0162 | Differential Ass'y. |
| 35 | 718-0150 | Anti-Rotation Brkt. | 63 | 732-0742 | R.H.—Brake Spring |
| 37 | ** | Washer (See Below) | — | 737-0148 | Grease—Shell (15 oz.) |
| 38 | 712-0273 | Hex Nut 5/16-24 Thd. | | | |

*For faster service obtain standard nuts, bolts and washers locally. If these items cannot be obtained locally, order by part number and size as shown on parts list.

**** Ref. No. 32**

736-0495 Thrust Wash. 5/8" I.D. x 1" O.D. x .025" Thk.
 736-0336 FI-Wash. 5/8" I.D. x 1" O.D. x .030" Thk.
 736-0494 Thrust Wash. 5/8" I.D. x 1" O.D. x .035" Thk.
 736-0337 FI-Wash. 5/8" I.D. x 1" O.D. x .040" Thk.

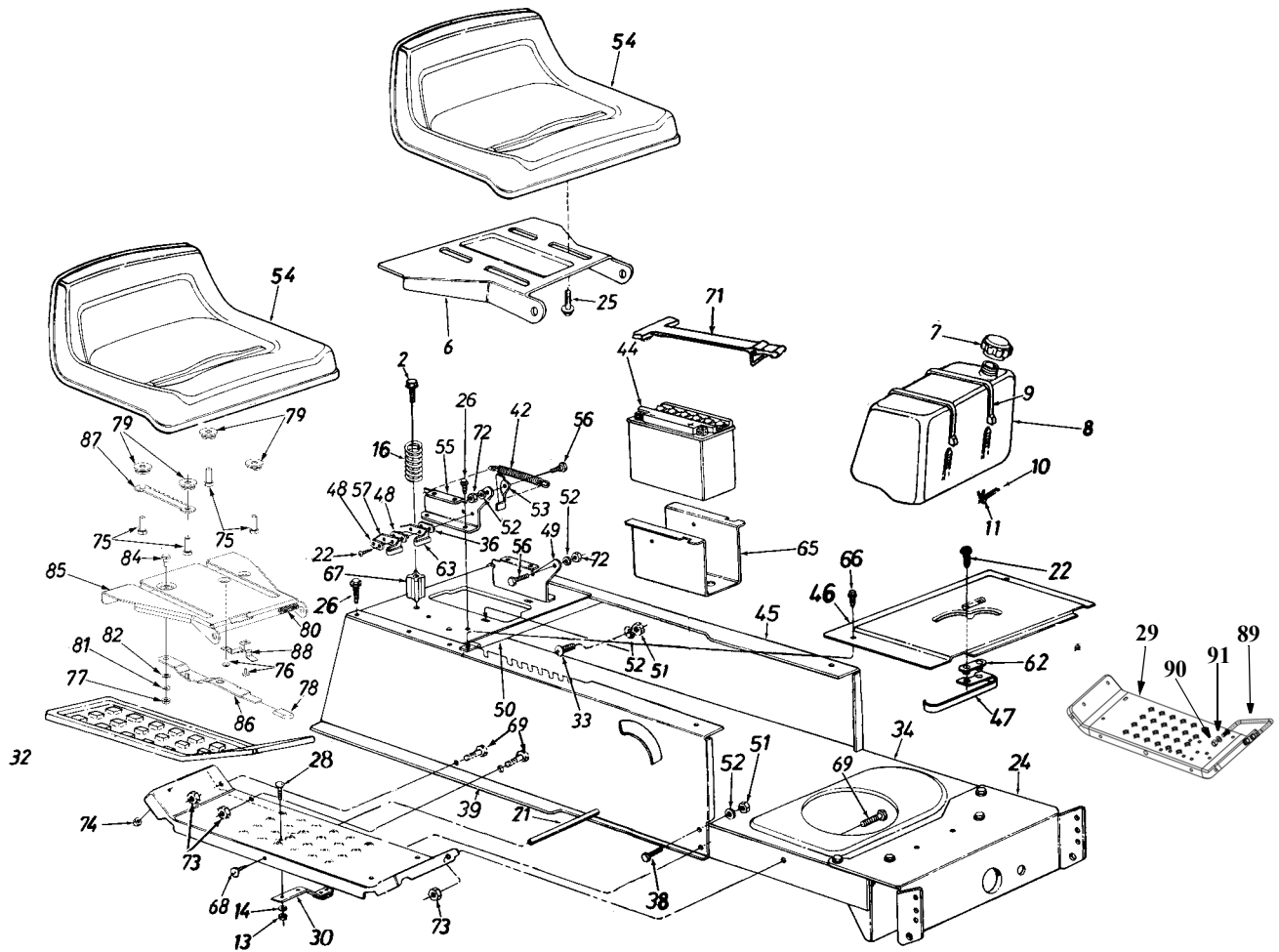
****Ref. No. 37**

736-0349 FI-Wash. 5/8" I.D. x 1" O.D. x .020" Thk.
 736-0336 FI-Wash. 5/8" I.D. x 1" O.D. x .030" Thk.
 736-0337 FI-Wash. 5/8" I.D. x 1" O.D. x .040" Thk.

****Ref. No. 60**

736-0492 FI-Wash. .76" I.D. x 1.5" O.D. x .010" Thk.
 736-0493 FI-Wash. .76" I.D. x 1.5" O.D. x .020" Thk.
 736-0351 FI-Wash. .76" I.D. x 1.5" O.D. x .030" Thk.
 736-0445 FI-Wash. .76" I.D. x 1.5" O.D. x .060" Thk.

Models 660 thru 679

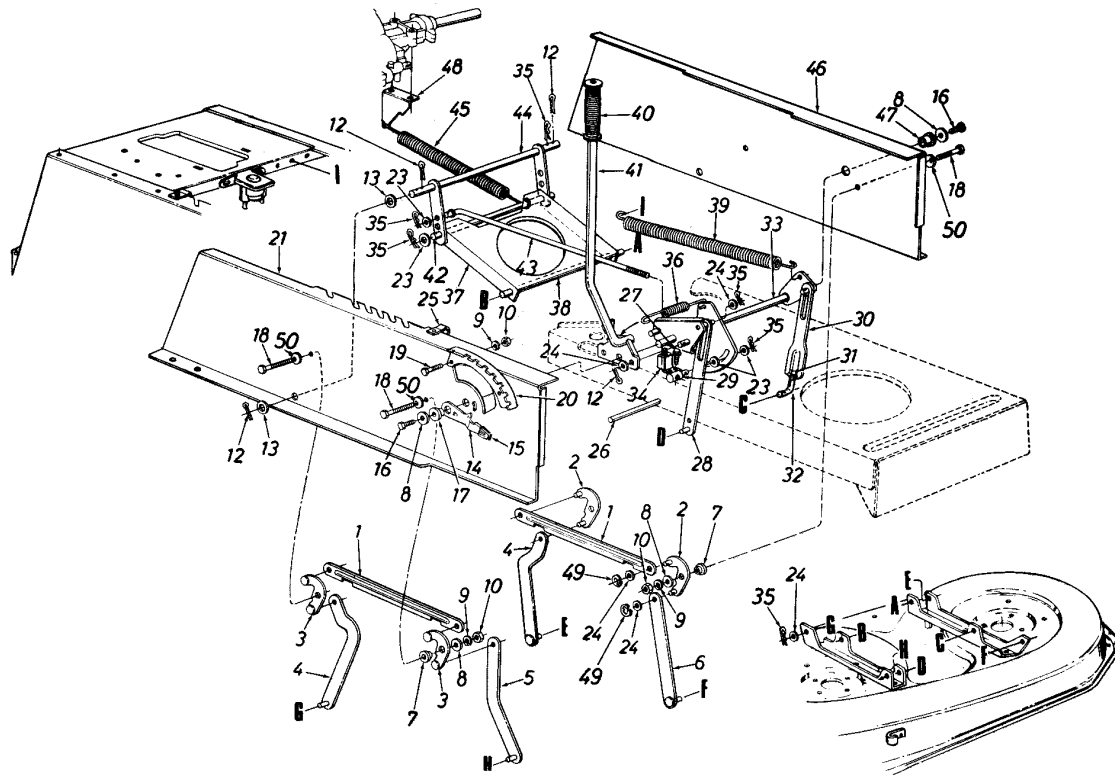


Models 660 thru 679

| REF. NO. | PART NO. | DESCRIPTION | REF. NO. | PART NO. | DESCRIPTION |
|----------|-------------|--------------------------------------|----------|-----------|-------------------------------------|
| 2 | 710-1208 | Hex Tap Scr. 5/16-18 x 3.25" | 54 | 757-0363A | Seat 8-7/8" High |
| 6 | 783-0039A | Seat Pivot Bracket | | 757-0364A | Seat 8-7/8" High (Yellow) |
| 7 | 751-0603 | Fuel Cap | | 757-0360A | Seat 10-5/8" High |
| 8 | 751-0555 | Fuel Tank (1.5 Gal) | | 757-0365 | Seat 10-5/8" High (Yellow) |
| | 751-0657 | Fuel Tank (3 Gal.) | | 757-0348A | Seat 14-1/4" High |
| 9 | 726-0209 | Tie Strap | | 757-0372 | Seat 14-1/4" High (Yellow) |
| 10 | 751-0535-15 | Fuel Line | | 757-0350 | Seat 14-1/4" High w/ Drain holes |
| 11 | 726-0205 | Hose Clamp | 55 | 17950A | Seat Pivot Brkt. Support—R.H. |
| 13 | 712-0287 | Hex Nut 1/4-20 Thd.* | 56 | 738-0296 | Shld. Bolt .437" Dia. x .268" |
| 14 | 736-0329 | L-Wash. 1/4" I.D. | 57 | 725-1303 | Spring Switch (Seat—Outer) |
| 16 | 732-0735 | Compression Spring | 59 | 710-0650 | Hex TT-Tap Scr. 5/16-18 x 7/8" |
| 21 | 738-0526 | Running Board Rod | 62 | 726-0320 | Insulatop Nut Plate |
| 22 | 710-0227 | Hex AB-Tap Scr. #8 x .50" Lg. | 63 | 725-1439 | Safety Switch (Seat—Inner) |
| 23 | 726-0139 | Speed Nut #10Z | 65 | 783-0345 | Battery Tray |
| 24 | 783-0041A | Front Pivot Brkt. | 66 | 710-0351 | Truss Mach. B-Tap Scr.#10 x .5" Lg. |
| 25 | 710-0870 | Hex Tap Scr. 3/8-16 x .62" Lg. | 67 | 748-0347 | Spring Spacer |
| 26 | 710-0726 | Hex Wash. Hd. AB-Tap Scr.5/16 x .75" | 68 | 710-0323 | Truss Mach. Scr. 5/16-18 x .75" |
| 28 | 710-0134 | Carriage Bolt 1/4-20 x .62" | 69 | 710-3008 | Hex Bolt 5/16-18 x .75" Lg.* |
| 29 | 17770D | Running Board (R.H. & L.H.) | 70 | 731-0405 | Snap Bushing |
| 30 | 761-0168B | Blade Brake Ass'y. | 71 | 723-3064 | Battery Retainer Strap |
| 32 | 731-0909 | Rubber Foot Pad—L.H.** | 72 | 712-3010 | Hex Nut 5/16-18 Thd. |
| | 731-0910 | Rubber Foot Pad—R.H.** | 73 | 712-0265 | Hex Sems Nut 5/16-18 Thd. |
| | 723-0422 | Abrasive Foot Pad** | 74 | 712-0271 | Hex Sems Nut 1/4-20 Thd. |
| 34 | 783-0310C | Lower Frame | 75 | 738-1007 | Shoulder Screw 3/8-16 x .5** |
| 36 | 726-0278 | Insulator Boss Plate | 76 | 710-1268 | Hex Wash. Hd. B-Tap Scr.** |
| 37 | 736-0264 | FI-Wash. .344" I.D. x .625" O.D. | 77 | 712-3027 | Hex Flanged L-Nut 1/4-20 Thd. ** |
| 38 | 710-3008 | Hex Bolt 5/16-18 x .75" Lg.* | 78 | 720-0309A | Seat Adjustable Grip ** |
| 39 | 783-0042B | Upper Frame—R.H. | 79 | 731-1989 | Spacer ** |
| 42 | 732-0581B | Extension Spring 5.31" Lg. | 80 | 732-0499 | Compression Spring 1.5" Lg. ** |
| 44 | 725-1707D | 12-V Battery | 81 | 736-0175 | Spring Wash. .265" I.D. ** |
| 45 | 783-0043 | Upper Frame—L.H. | 82 | 736-0204 | FI-Wash. .344" I.D. x .62" O.D. ** |
| 46 | — | Shift Cover (Refer to Style Page) | 84 | 738-0137A | Shld. Bolt .34" x 1/4 -20 Thd. ** |
| 47 | 725-1643 | Reverse Safety Switch | 85 | 783-0607A | Seat Pivot Bracket ** |
| 48 | 726-0279 | Insulator Plate | 86 | 783-0609 | Seat Lever ** |
| 49 | 17951A | Seat Pivot Brkt. Support—L.H. | 87 | 783-0753 | Seat Selector ** |
| 50 | 783-0355A | Hitch Plate | 88 | 783-0611 | Seat Stop ** |
| 51 | 712-0267 | Hex Nut 5/16-18 Thd.* | 89 | 747-1216 | Stop Rod |
| 52 | 736-0119 | L-Wash. 5/16" I.D.* | 90 | 712-3017 | Hex Nut 3/8-16 |
| 53 | 17239A | Seat Lift Brkt. | 91 | 736-0169 | Lock Washer |

** Optional

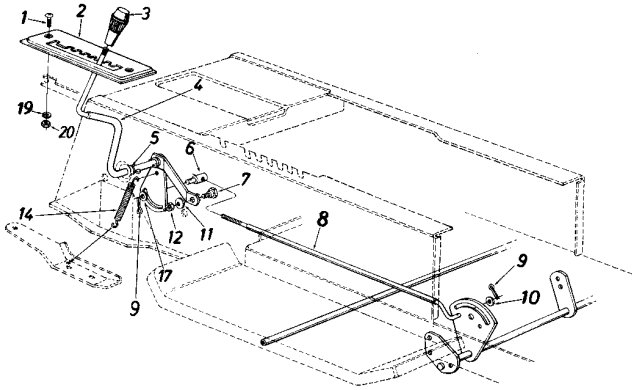
Models 660 thru 679



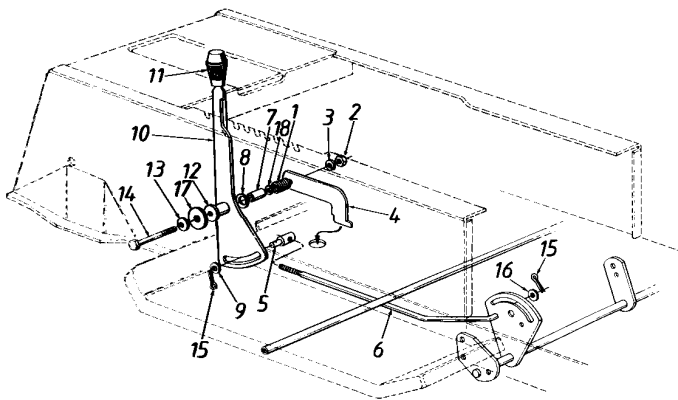
| REF. NO. | PART NO. | DESCRIPTION | REF. NO. | PART NO. | DESCRIPTION |
|----------|-----------|-----------------------------------------|----------|-----------|------------------------------|
| 1 | 783-0103 | Connecting Rod | 27 | 710-3007 | Hex Wash. Hd. Tap Scr. |
| 2 | 683-0029A | Pivot Link Ass'y.—L.H. | 28 | 14802A | Link Deck Lift Ass'y. |
| 3 | 683-0028A | Pivot Link Ass'y.—R.H. | 29 | 711-0723A | Adj. Ferrule 3/8-24 Thd. |
| 4 | 17710 | Deck Hanger Link Ass'y. | 30 | 17712 | Adj. Deck Lift Link |
| 5 | 14800A | Deck Hanger Link Ass'y. | 31 | 712-3066 | Hex Nut 1/2-20 Thd. (Gr. 5) |
| 6 | 14804A | Deck Hanger Link Ass'y. | 32 | 711-0841 | Lift Link Adjuster |
| 7 | 748-0331 | Shld. Spacer .318" I.D. | 33 | 17637A | Lift Shaft Ass'y. |
| 8 | 736-0231 | Fl-Wash. .344" I.D. x 1.125" O.D. | 34 | 725-1657A | Safety Switch (Deck) |
| 9 | 736-0119 | L-Wash. 5/16" I.D.* | 35 | 714-0145 | Inter. Cotter Pin 3/8" Dia. |
| 10 | 712-3004A | Flange Lock Nut 5/16-18 Thd. (Gr. 5) | 36 | 732-0637 | Extension Spring |
| 12 | 714-0470 | Cotter Pin 1/8" Dia. | 37 | 17636C | Stabilizer Bracket |
| 13 | 736-0256 | Fl-Wash. .635" I.D. x 1.0" O.D. | 38 | 738-0670A | Shaft 1/2" Dia. x 10.28" Lg. |
| 14 | 683-0003 | Hgt Adj. Stop Lever Ass'y. (Incl. #15)† | 39 | 732-0638 | Extension Spring |
| 15 | 08540 | Knob† | 40 | 720-0233 | Grip (Lift Handle) |
| 16 | 710-0604A | Hex Wash. TT-Tap Scr.5/16-18 x .75" | 41 | 97675A | Deck Lift Handle Ass'y. |
| 17 | 748-0176 | Flange Brg. .63" I.D.† | 42 | 738-0669 | Shaft 3/8" Dia. x 9.34" Lg. |
| 18 | 710-1238 | Hex Wash. Hd. Scr. 5/16-18x .875" Lg. | 43 | 747-0598 | Disengagement Rod |
| 19 | 710-3008 | Hex Bolt 5/16-18 x .75" Lg. | 44 | 97624 | Stabilizer Shaft Ass'y. |
| 20 | 17730 | Index Brkt. | 45 | 732-0556 | Extension Spring 7.58" Lg. |
| 21 | 783-0042B | Upper Frame—R.H. | 46 | 783-0043 | Upper Frame—L.H. |
| 23 | 736-0267 | Fl-Wash. .385" I.D. x .87" O.D. | 47 | 741-0313 | Flange Brg. .632" I.D. |
| 24 | 736-0160 | Fl-Wash. .531" I.D. x .93" O.D. | 48 | 17128A | Spring Retainer Brkt. |
| 25 | 726-0272 | Clamp | 49 | 716-0104 | "E"-Ring |
| 26 | 738-0526 | Running Board Rod | 50 | 736-0425 | Bell-Wash. .325" I.D. |

† Optional

Models 660 thru 679

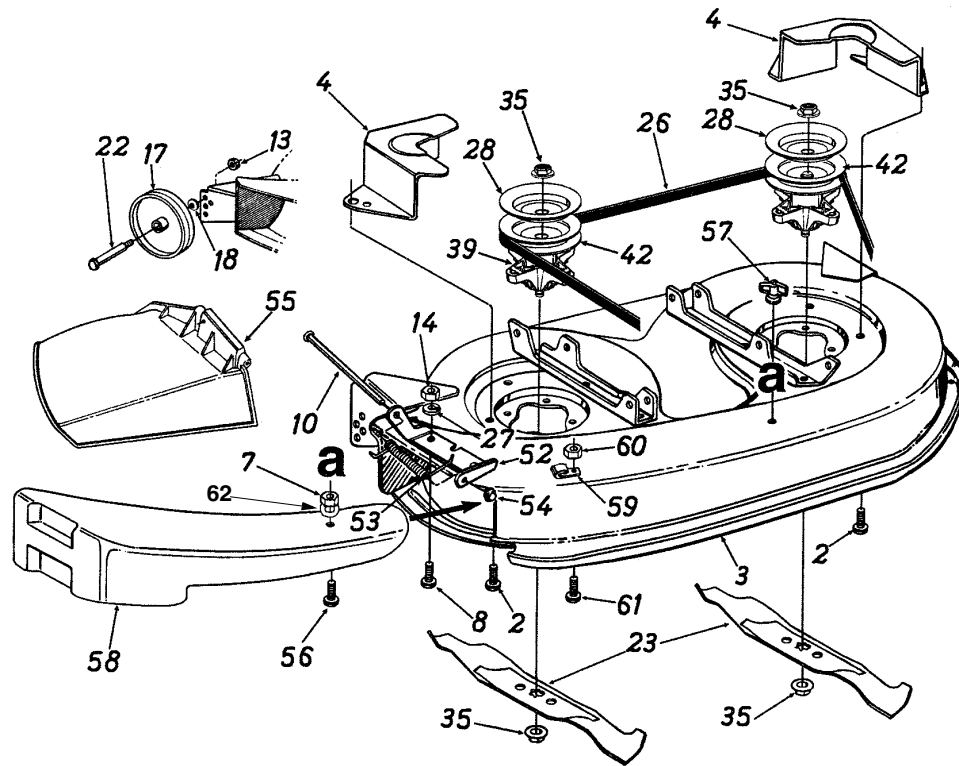


| REF NO. | PART NO. | DESCRIPTION |
|---------|-----------|-----------------------------------|
| 1 | 710-0924 | Truss Mach. Scr. 1/4-20 x.75" Lg. |
| 2 | 16194A | 7-Speed Selector Plate |
| 3 | 720-0218 | Shift Knob |
| 4 | 16192A | Speed Selector Lever Ass'y. |
| 5 | 736-0192 | Flat Washer .53" I.D. x .93" |
| 6 | 711-0198 | Ferrule 3/8-24 x .37" Dia. |
| 7 | 738-0155 | Shoulder Bolt |
| 8 | 747-0503A | Speed Control Link |
| 9 | 714-0111 | Cotter Pin 3/32" Dia. x 1.0" |
| 10 | 736-0226 | FI-Wash. .469" I.D. x .88" |
| 11 | 736-0119 | L-Wash. 5/16" I.D.* |
| 12 | 712-3010 | Hex Nut 5/16-18 Thd. (Gr. 5) |
| 14 | 732-0303 | Spring .38" O.D. x 3.18" Lg. |
| 17 | 736-0300 | FI-Wash. .385" I.D. x 7/8" |
| 19 | 736-0329 | L-Wash. 1/4" I.D.* |
| 20 | 712-3006 | Hex Nut 1/4-20 Thd. (Gr. 5) |



| REF. NO. | PART NO. | DESCRIPTION |
|----------|-----------|------------------------------|
| 1 | 732-0645 | Compression Spring |
| 2 | 712-0267 | Hex Nut 5/16-18 Thd.* |
| 3 | 736-0119 | L-Wash. 5/16" I.D.* |
| 4 | 17956 | Shift Lever Support |
| 5 | 711-0198 | Ferrule 3/8-24 Thd. |
| 6 | 747-0787 | Speed Control Rod |
| 7 | 750-0662 | Spacer 1.56" Lg. |
| 8 | 736-0253 | Bell-Wash. .505" I.D. x 1" |
| 9 | 736-0300 | FI-Wash. .385" I.D. x .87" |
| 10 | 17888A | Speed Selector Lever |
| 11 | 720-0232 | Shift Knob |
| 12 | 750-0913 | Spacer 1.46" Lg. |
| 13 | 736-0159 | FI-Wash. .345" I.D. x .88" |
| 14 | 710-3056 | Hex Bolt 5/16-18 x 3.25" Lg. |
| 15 | 714-0111 | Cotter Pin 3/32" Dia. x 1" |
| 16 | 736-0226 | FI-Wash. .469" I.D. x .88" |
| 17 | 736-0418A | FI-Wash. .34" I.D. x 2.25" |
| 18 | 726-0201 | Speed Nut 5/16-18 Thd. |

Deck "F"



| REF. NO. | PART NO. | DESCRIPTION | REF. NO. | PART NO. | DESCRIPTION |
|----------|-----------|---------------------------------------|----------|-----------|---------------------------------------------|
| 2 | 710-1260A | Hex Wash. TT-Tap Scr. 5/16-18 x .75" | 33 | 710-0157 | Hex Bolt 5/16-24 x .75" Lg. |
| 3 | 683-0129 | 38" Deck Ass'y. ** | 35 | 712-0417A | Hex Flange Nut 5/8-18 Thd.† |
| | 753-0694 | 38" Deck Ass'y. Comp.(For Service) ** | 37 | 736-0158 | L-Wash. 5/8" I.D.* |
| 4 | 783-0343A | Belt Guard Deck | 39 | 618-0138 | Blade Spdl Ass'y. (Incl. Ref. 28, 35, 42) |
| 7 | 712-3006 | Hex L-Nut 1/4-20 Thd.†† | 42 | 756-0969 | 5" Dia. Pulley† |
| 8 | 710-0751 | Hex Bolt 1/4-20 x .62" | 52 | 703-1693 | Hinge Mtg. Brkt. |
| 10 | 711-0792 | Hinge Pin | 53 | 732-0602 | Torsion Spring |
| 13 | 712-0181 | Hex Top L-Nut 3/8-16 Thd. | 54 | 726-0106 | Push Nut |
| 14 | 712-3006 | Hex Nut 1/4-20 Thd. (Gr. 5) | 55 | 731-1032 | Chute Ass'y. (Incl. Ref.10, 52, 53, 54, 55) |
| 17 | 734-0973 | Deck Wheel—5" | 56 | 710-0597 | Hex Bolt 1/4-20 x 1" Lg.†† |
| 18 | 736-0105 | Bell-Wash. .40" I.D. x .88" O.D. | 57 | 712-3087 | Wing Nut 1/4-20 Thd. †† |
| 22 | 738-0373 | Shld. Bolt .498" Dia. x 1.53" | 58 | 731-1643A | Mulching Plug †† |
| 23 | 742-0610 | 3 in 1 Blade | 59 | 16606 | Retainer Hook Brkt. |
| 26 | 754-0329A | V-Belt | 60 | 712-3027 | Hex Flange Nut 1/4-20 Thd. |
| 27 | 736-0270 | Bell-Wash. 1/4" I.D. | 61 | 710-0751 | Hex Bolt 1/4-20 x .62" Lg. |
| 28 | 783-0342 | Brake Disc | 62 | 736-0173 | Flat Washer .28 ID x .74 OD |

† Deck pulleys and blade nuts must be torqued to 100 ft. lbs. if removed or replaced.

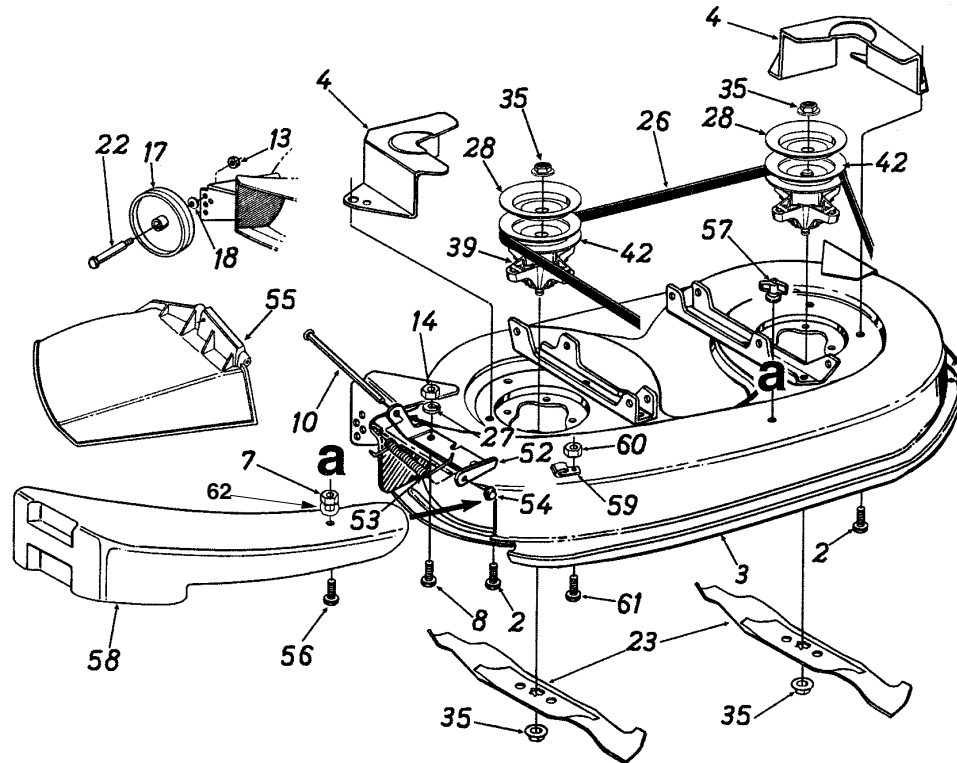
†† Optional

** Must be ordered with 4 digit color code.

IMPORTANT: For a proper working machine, use Factory Approved Parts.

V-BELTS are specially designed to engage and disengage safely. A substitute (non OEM) V-belt can be dangerous by not disengaging completely.

Deck "G"



| REF. NO. | PART NO. | DESCRIPTION | REF. NO. | PART NO. | DESCRIPTION |
|----------|-----------|---------------------------------------|----------|-----------|----------------------------------------------|
| 2 | 710-1260A | Hex Wash. TT-Tap Scr. 5/16-18 x .75" | 33 | 710-0157 | Hex Bolt 5/16-24 x .75" Lg. |
| 3 | 683-0141A | 42" Deck Ass'y. ** | 35 | 712-0417A | Hex Flange Nut 5/8-18 Thd.† |
| | 753-0698 | 42" Deck Ass'y. Comp.(For Service) ** | 37 | 736-0158 | L-Wash. 5/8" I.D.* |
| 4 | 783-0149 | Belt Guard Deck | 39 | 618-0142 | Blade Spindle Ass'y. (Incl. Ref. 28, 35, 42) |
| 7 | 712-3006 | Hex L-Nut 1/4-20 Thd.†† | 42 | 756-0980 | 5.75" Dia. Pulley† |
| 8 | 710-0751 | Hex Bolt 1/4-20 x .62" | 52 | 703-1693 | Hinge Mtg. Brkt. |
| 10 | 711-0792 | Hinge Pin | 53 | 732-0602 | Torsion Spring |
| 13 | 712-0181 | Hex Top L-Nut 3/8-16 Thd. | 54 | 726-0106 | Push Nut |
| 14 | 712-3006 | Hex Nut 1/4-20 Thd. (Gr. 5) | 55 | 731-1032 | Chute Ass'y. (Incl. Ref.10, 52, 53, 54, 55) |
| 17 | 734-0973 | Deck Wheel—5" | 56 | 710-0597 | Hex Bolt 1/4-20 x 1" Lg.†† |
| 18 | 736-0105 | Bell-Wash. .40" I.D. x .88" O.D. | 57 | 712-3087 | Wing Nut 1/4-20 Thd.†† |
| 22 | 738-0373 | Shld. Bolt .498" Dia. x 1.53" | 58 | 731-1643A | Mulching Plug †† |
| 23 | 742-0616 | 3 in 1 Blade | 59 | 16606 | Retainer Hook Brkt. |
| 26 | 754-0371A | V-Belt | 60 | 712-3027 | Hex Flange Nut 1/4-20 Thd. |
| 27 | 736-0270 | Bell-Wash. 1/4" I.D. | 61 | 710-0751 | Hex Bolt 1/4-20 x .62" Lg. |
| 28 | 783-0342 | Brake Disc | 62 | 736-0173 | Flat Washer .28 ID x .74 OD |

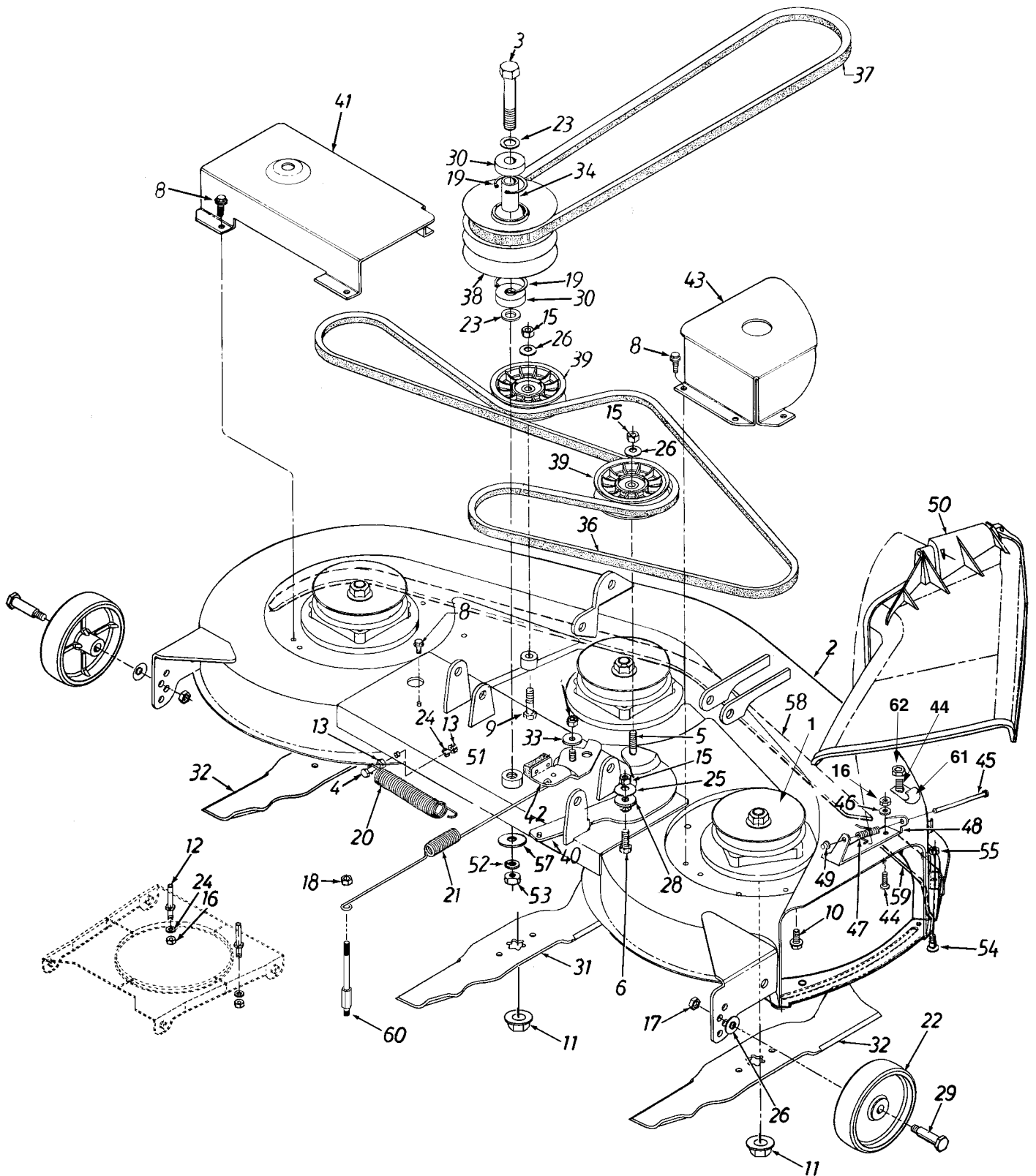
** Must be ordered with 4 digit color code

†† Optional

IMPORTANT: For a proper working machine, use Factory Approved Parts.

V-BELTS are specially designed to engage and disengage safely. A substitute (non OEM) V-belt can be dangerous by not disengaging completely.

Deck "H"



Deck "H"

| REF NO. | PART NO. | DESCRIPTION | REF NO. | PART NO. | DESCRIPTION |
|---------|-----------|-------------------------------------------|---------|-----------|-------------------------------------------------------|
| 1 | 618-0240 | Blade Spindle Ass'y. | 32 | 742-0644 | Blade 16.28" Lg. |
| 2 | 983-0120A | 46" Deck Ass'y. ** | 33 | 748-0234 | Shoulder Spacer |
| | 913-06921 | 46" Deck Ass'y. Comp. (For Service) ** | 34 | 750-0932A | Spacer .635" I.D. x .088" O.D. |
| 3 | 710-3151 | Hex Bolt 5/8-18 x 4.25" Lg. | 36 | 754-0440 | V-Belt |
| 4 | 710-0428 | Hex Bolt 1/4-28 x 1.25" Lg. | 37 | 754-0439 | V-Belt |
| 5 | 710-0459A | Hex Bolt 3/8-24 x 1.5" Lg. | 38 | 756-0638 | Pulley Double Deck 5" O.D. |
| 6 | 710-1039 | Hex Bolt 3/8-24 x 1" Lg. | 39 | 756-0627 | Flat Idler Pulley 3.5 O.D. |
| 8 | 710-0599 | Hex Wash. Hd. TT-Tap Scr. | 40 | 783-0046 | Idler Deck Bracket |
| 9 | 710-0151 | Hex Bolt 3/8-24 x 2" Lg. | 41 | 783-0063A | Belt Cover L.H. |
| 10 | 710-1260A | Hex Flange Bolt 5/16-24 x .75" | 42 | 17116 | Deck Brake Brkt. Ass'y. |
| 11 | 712-0417A | Hex Flange L-Nut 5/8-18 Thd. | 43 | 17258A | Belt Cover Brkt. R.H. |
| 12 | 711-0993 | Belt Guard Pin | 44 | 710-0751 | Hex Bolt 1/4-20 x .62" Lg. |
| 13 | 712-0138 | Hex Nut 1/4-28 Thd. | 45 | 711-0792 | Hinge Pin |
| 14 | 712-0429 | Hex Ins. L-Nut 5/16-18 Thd. | 46 | 736-0270 | Bell-Wash. 1/4" I.D. |
| 15 | 712-0241 | Hex Nut 3/8-24 Thd. | 47 | 732-0602 | Torsion Spring |
| 16 | 712-3006 | Hex Nut 1/4-20 Thd. (Gr. 5) | 48 | 703-1693 | Hinge Mtg. Brkt. |
| 17 | 712-0181 | Hex Top Jam Nut 3/8-16 Thd. | 49 | 726-0106 | Push Nut |
| 18 | 712-0158 | Hex Center L-Nut 5/16-18 Thd. | 50 | 731-1032 | Chute Ass'y. Comp. (Incl. Ref. 45, 47, 48, 49, 50) |
| 19 | 716-3020 | Int. Snap Ring | 51 | 750-0960 | Spacer .635" I.D. x 1" O.D. |
| 20 | 732-0594A | Ext. Spring .88" O.D. x 6.17" | 52 | 736-0158 | L-Wash. 5/8" I.D. |
| 21 | 732-0723 | Ext. Spring .788" O.D. x 15.5" | 53 | 712-0337 | Hex Nut 5/8-18 Thd. |
| 22 | 734-0973 | Deck Wheel | 54 | 710-0167 | Carriage Bolt 1/4-20 x .5" Lg. |
| 23 | 736-0290 | Fl-Wash. .635" I.D. x 1" O.D. | 55 | 712-0271 | Hex Sems Nut 1/4-20 Thd. |
| 24 | 736-0329 | L-Wash. 1/4" I.D.* | 57 | 736-3088 | Fl-Wash. .635" I.D. |
| 25 | 736-0331 | Bell-Wash. 3/8" x 1.125" x .062" | 58 | 783-0141 | Center Deck Skirt |
| 26 | 736-0105 | Bell-Wash. 3/8" x .87" x .064" | 59 | 783-0142 | R.H. Deck Skirt |
| 28 | 738-0347 | Shoulder Spacer .625" I.D. | 60 | 738-0999 | Return Spring Stud |
| 29 | 738-0373 | Shld. Bolt .498" x 1.525" | 61 | 16606 | Retainer Hook Bracket |
| 30 | 741-0524 | Ball Brg. .625" I.D. x 1.574" O.D. | 62 | 712-3027 | Hex Lock Nut 1/4-20 |
| 31 | 742-0645 | Blade 14.88" Lg. | | | |

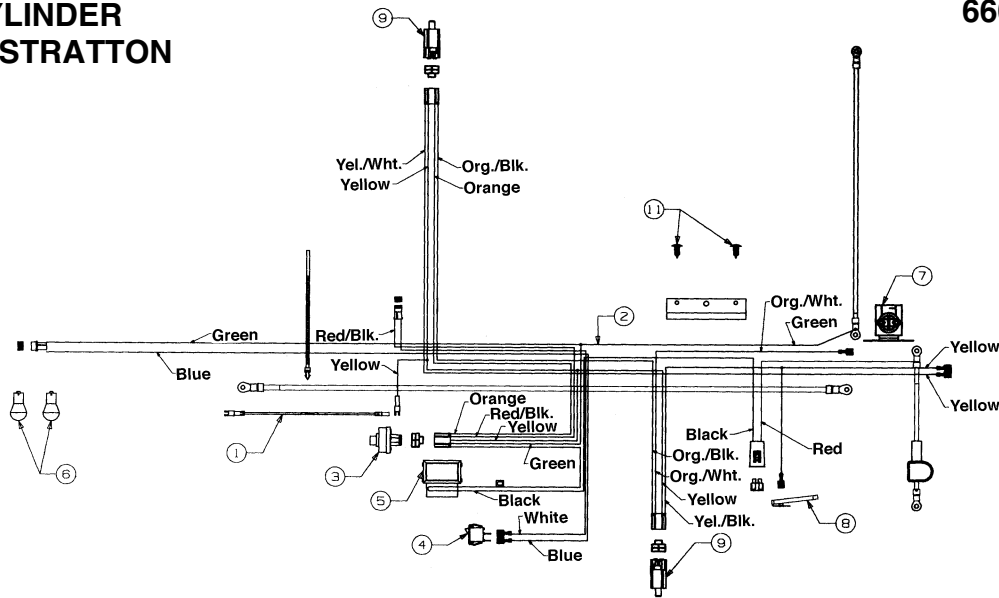
** Must be ordered with 4 digit color code.

IMPORTANT: For a proper working machine, use Factory Approved Parts.

V-BELTS are specially designed to engage and disengage safely. A substitute (non OEM) V-belt can be dangerous by not disengaging completely.

**SINGLE CYLINDER
BRIGGS & STRATTON**

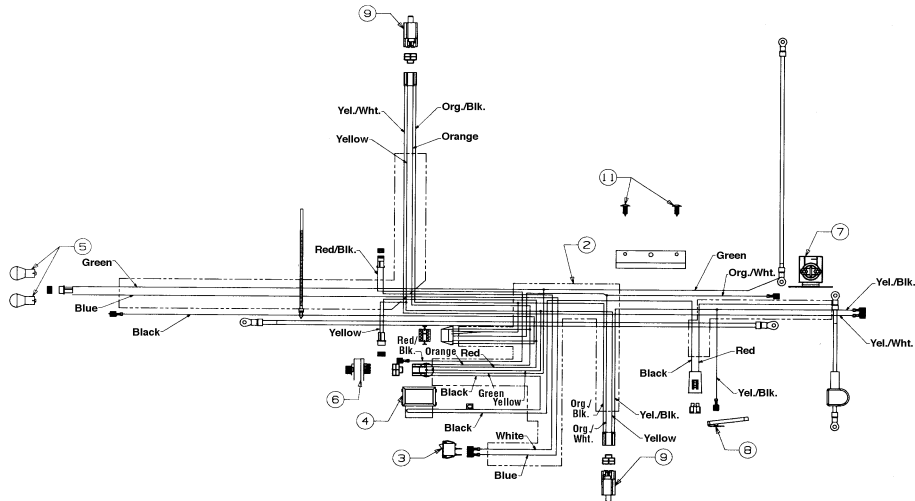
660 THRU 679



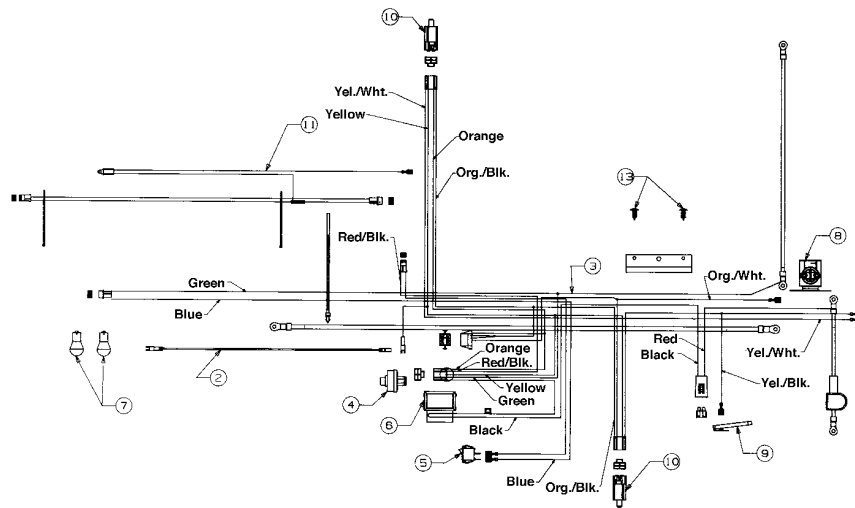
| Ref. No. | Part No. | Description | Ref. No. | Part No. | Description |
|----------|-----------|---------------------------------------|----------|-----------|-------------------------|
| 1 | 629-0207 | Harness Adapter (Mag.) | 6 | 725-0963 | Bulb (Headlight) |
| 2 | 629-0302B | Wire Harness w/Light Switch and Amp | 7 | 725-1426 | Solenoid |
| | 629-0301D | Wire Harness w/o Light Switch and Amp | 8 | 725-1643 | Safety Switch (Reverse) |
| 3 | 725-0267 | Ignition Switch | 9 | 725-1657A | Safety Switch |
| 4 | 725-0634 | Light Switch (Optional) | 11 | 726-3046 | Ratchet |
| 5 | 725-0925 | Ammeter (Optional) | | | |

OVER HEAD VALVE

660 THRU 679

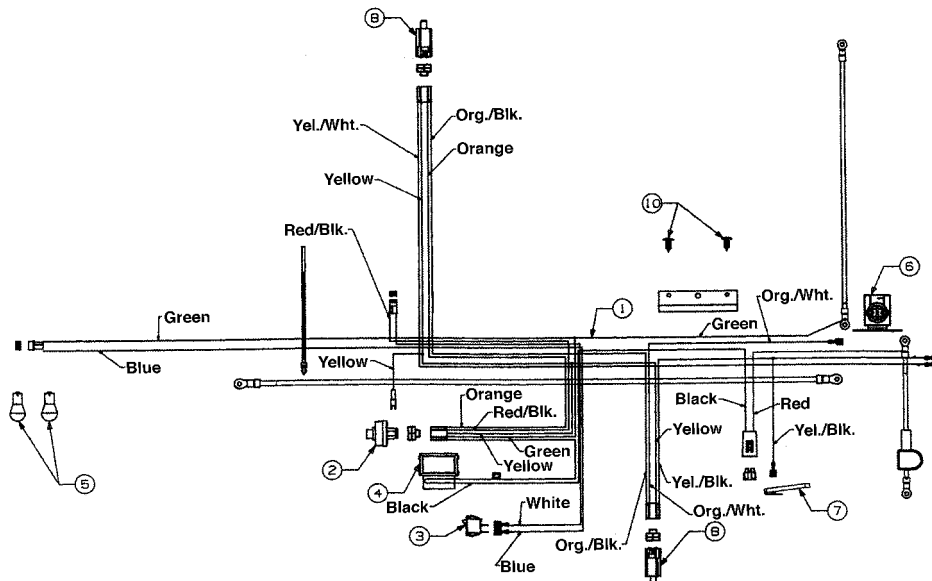


| Ref. No. | Part No. | Description | Ref. No. | Part No. | Description |
|----------|-----------|---------------------------------------|----------|-----------|-------------------------|
| 2 | 629-0305D | Wire Harness w/Light Switch and Amp | 7 | 725-1426 | Solenoid |
| | 629-0304B | Wire Harness w/o Light Switch and Amp | 8 | 725-1643 | Safety Switch (Reverse) |
| 3 | 725-0634 | Light Switch (Optional) | 9 | 725-1657A | Safety Switch |
| 4 | 725-0925 | Ammeter (Optional) | 11 | 726-3046 | Ratchet |
| 5 | 725-0963 | Bulb (Headlight) | | | |
| 6 | 725-1396 | Ignition Switch | | | |



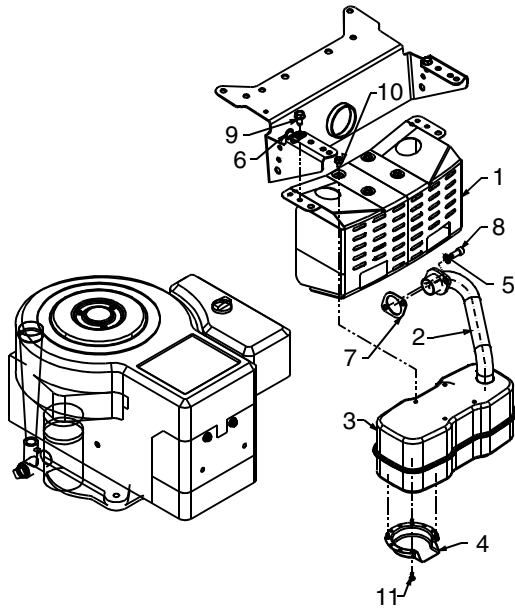
| Ref. No. | Part No. | Description | Ref. No. | Part No. | Description |
|----------|-----------|-------------------------------------|----------|-----------|-------------------------|
| 2 | 629-0208 | Harness Adapter | 8 | 725-1426 | Solenoid |
| 3 | 629-0302D | Wire Harness w/Light Switch & Amp | 9 | 725-1643 | Safety Switch (Reverse) |
| | 629-0301D | Wire Harness w/o Light Switch & Amp | 10 | 725-1657A | Safety Switch |
| 4 | 725-0267 | Ignition Switch | 11 | 629-0125 | Harness Adapter (Alt.) |
| 5 | 725-0634 | Light Switch | 13 | 726-3046 | Ratchet |
| 6 | 725-0925 | Ammeter | | | |
| 7 | 725-0963 | Bulb | | | |

TECUMSEH



| Ref. No. | Part No. | Description | Ref. No. | Part No. | Description |
|----------|-----------|-------------------------------------|----------|-----------|-------------------------|
| 1 | 629-0302D | Wire Harness w/Light Switch & Amp | 6 | 725-1426 | Solenoid |
| | 629-0301D | Wire Harness w/o Light Switch & Amp | 7 | 725-1643 | Safety Switch (Reverse) |
| 2 | 725-0267 | Ignition Switch | 8 | 725-1657A | Safety Switch |
| 3 | 725-0634 | Light Switch (Optional) | 10 | 726-3046 | Ratchet |
| 4 | 725-0925 | Ammeter (Optional) | | | |
| 5 | 725-0963 | Bulb (Headlight) | | | |

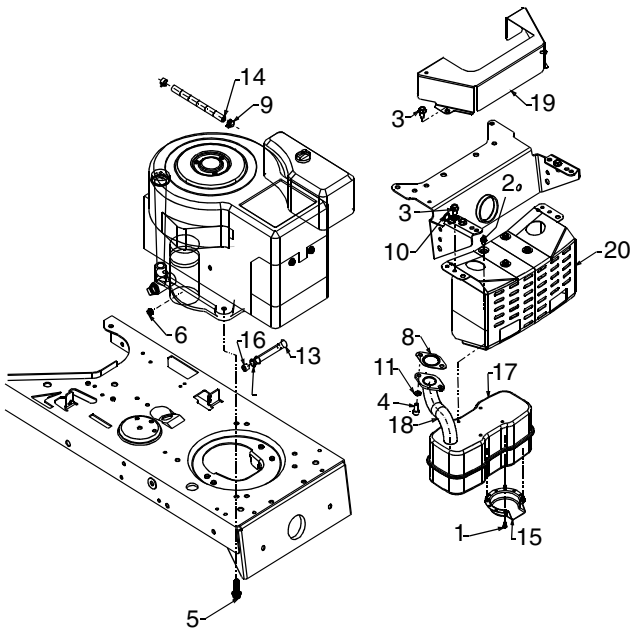
SINGLE CYLINDER



660 THRU 679

| Ref. No. | Part No. | Description |
|----------|----------|---------------------------------------------|
| 1 | 783-0615 | Muffler Bracket |
| 2 | 751-0618 | Exhaust Pipe |
| 3 | 751-0617 | Muffler |
| 4 | 751-0564 | Muffler Deflector |
| 5 | 736-0119 | L-Wash. 5/16" I.D.* |
| 6 | 726-0272 | Clamp |
| 7 | 721-0208 | Exhaust Gasket |
| 8 | 710-1314 | Socket Hd. Bolt 5/16-18 x .62" Lg. |
| 9 | 710-0604 | Hex Wash Hd. TT-Tap Scr. 5/16-18 x .62" Lg. |
| 10 | 710-0599 | Hex Wash. TT-Tap Scr. 1/4-20 x .5" Lg. |
| 11 | 710-0148 | Hex Slot Scr. #8-32 x .38" Lg. |

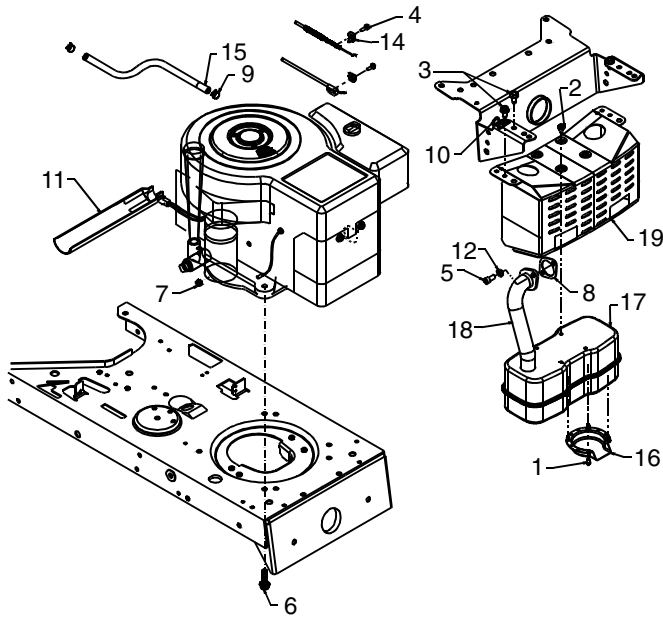
TECUMSEH



660 THRU 679

| Ref. No. | Part No. | Description |
|----------|-------------|----------------------------------------|
| 1 | 710-0148 | Hex Bolt #8-32 x .38" Lg. |
| 2 | 710-0599 | Hex Wash. Hd. TT-Scr. 1/4-20 x .5" Lg. |
| 3 | 710-0604 | Hex Wash. Hd. TT-Scr. 5/16-18 x .62" |
| 4 | 710-1314 | Socket Hd. Bolt 5/16-18 x .62" Lg. |
| 5 | 710-1315 | Hex Wash. Hd. TT-Scr. 3/8-16 x 1.25" |
| 6 | 712-0271 | Hex Sems Nut 1/4-20 Thd. |
| 8 | 721-0348 | Exhaust Gasket |
| 9 | 726-0205 | Hose Clamp |
| 10 | 726-0272 | Clamp |
| 11 | 736-0119 | L-Wash. 5/16" I.D.* |
| 13 | 737-0286 | Pipe 3/8 NPT x 3.8" Lg. (16/17 HP) |
| | 737-0199 | Pipe 3/8 NPT x 2" Lg. (12/13 HP) |
| 14 | 751-0535-12 | Fuel Line |
| 15 | 751-0564 | Muffler Deflector |
| 16 | 751-0572 | Hex Pipe Plug (16/17 HP) |
| | 737-0143 | Oil Drain Cap (12/13 HP) |
| 17 | 751-0617 | Muffler |
| 18 | 751-0620 | Exhaust Pipe (16/17 HP) |
| | 751-0622 | Exhaust Pipe (12/13 HP) |
| 19 | 783-0378A | Heat Shield (16/17 HP) |
| 20 | 783-0615 | Muffler Bracket |

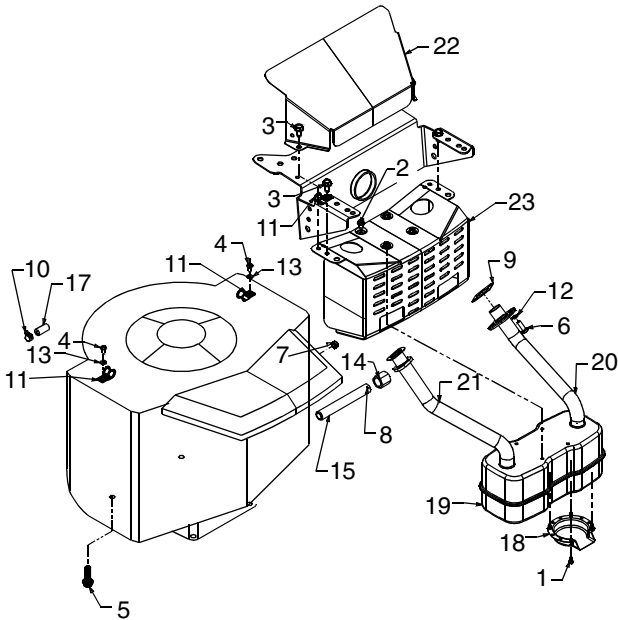
OVER HEAD VALVE



660 THRU 679

| Ref. No. | Part No. | Description |
|----------|-------------|----------------------------------|
| 1 | 710-0148 | Hex Tap Scr. #8-32 x .38" Lg. |
| 2 | 710-0599 | Hex TT-Tap Scr. 1/4-20 x .5" Lg. |
| 3 | 710-0604 | Hex TT-Tap Scr. 5/16-18 x .62" |
| 4 | 710-1237 | Hex Wash. Scr. #10-32 x .62" |
| 5 | 710-1314 | Socket Head Scr. 5/16-18 x .62" |
| 6 | 710-1315 | Hex TT-Tap Scr. 3/8-16 x 1.25" |
| 7 | 712-0271 | Hex Sems Scr. 1/4-20 Thd. |
| 8 | 721-0208 | Gasket |
| 9 | 726-0205 | Hose Clamp |
| 10 | 726-0272 | Clamp |
| 11 | 731-1682A | Oil Drain Sleeve |
| 12 | 736-0119 | Lock Washer 5/16" I.D. |
| 14 | 751B213146 | Casing Clamp |
| 15 | 751-0535-12 | Fuel Line 12" Lg. |
| 16 | 751-0564 | Muffler Deflector |
| 17 | 751-0617 | Muffler |
| 18 | 751-0619 | Exhaust Pipe |
| 19 | 783-0615 | Muffler Brkt. |

TWIN CYLINDER

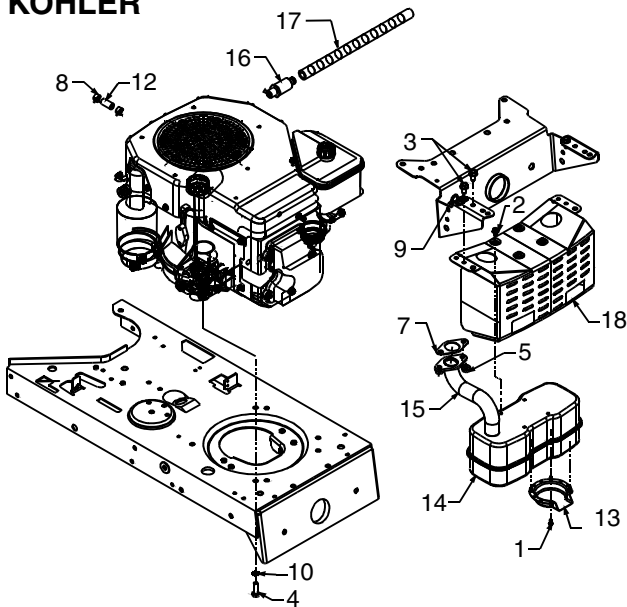


660 THRU 679

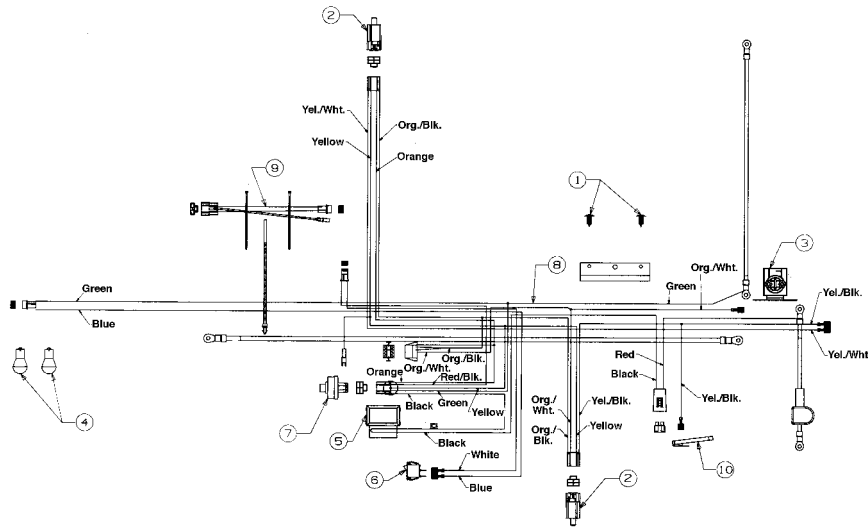
| Ref. No. | Part No. | Description |
|----------|-------------|------------------------------------------|
| 1 | 710-0148 | Hex Tap Scr. #8-32 x .38" Lg. |
| 2 | 710-0599 | Hex Wash. TT-Tap Scr. 1/4-20 x .5" Lg. |
| 3 | 710-0604 | Hex Wash. TT-Tap Scr. 5/16-18 x .62" Lg. |
| 4 | 710-0779A | Truss Mach. Scr. #10 x .5" Lg. |
| 5 | 710-1315 | Hex Hd. Tap Scr. 3/8-16 x 1.25" Lg. |
| 6 | 710-3015 | Hex Bolt 1/4-20 x .75" Lg. |
| 7 | 712-0271 | Hex Sems Nut 1/4-20 Thd. |
| 9 | 721-0346 | Exhaust Gasket |
| 10 | 726-0205 | Hose Clamp |
| 11 | 726-0272 | Clamp |
| 12 | 736-0329 | L-Wash. 1/4" I.D.* |
| 13 | 736-3067 | Fl-Wash. .188" I.D. x .438" O.D. |
| 14 | 737-0143 | Oil Drain Cap |
| 15 | 737-0164 | Pipe Nipple 3/8 x 18 NPT. |
| 17 | 751-0535-26 | Fuel Line 26" Lg. |
| 18 | 751-0564 | Deflector: Muffler |
| 19 | 751-0616 | Muffler |
| 20 | 751-0623 | Exhaust Pipe—L.H. |
| 21 | 751-0624 | Exhaust Pipe—R.H. |
| 22 | 783-0357A | Heat Shield |
| 23 | 783-0615 | Muffler Bracket |

660 THRU 679

KOHLER



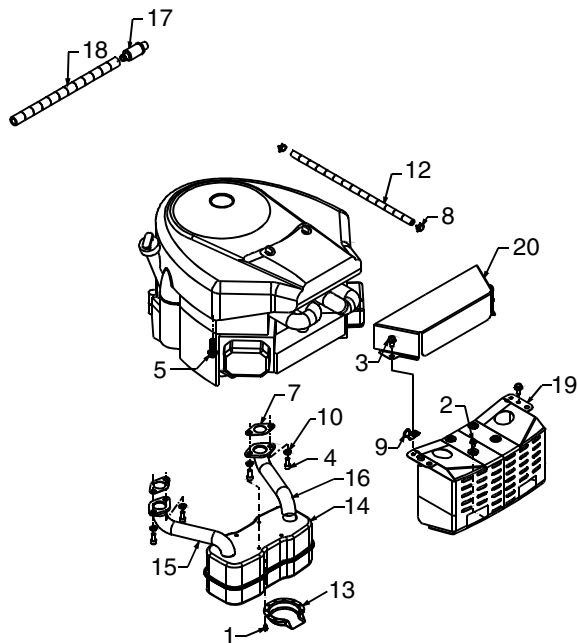
| Ref. No. | Part No. | Description |
|----------|-------------|--------------------------------------|
| 1 | 710-0148 | Hex Tap Scr. #8-32 x .38" Lg. |
| 2 | 710-0599 | Hex Wash. TT-Tap Scr. 1/4-20 x5" Lg. |
| 3 | 710-0604 | Hex Wash. TT-Tap Scr. 5/16-18 x .62" |
| 4 | 710-3206A | Hex Bolt M8 x 1.25 |
| 5 | 712-3086 | Hex Flange Nut M8 Thd. |
| 7 | 721-0375 | Exhaust Gasket |
| 8 | 726-0205 | Hose Clamp |
| 9 | 726-0272 | Clamp |
| 10 | 736-0607 | External L-Wash. 5/16" I.D. |
| 12 | 751-0535-12 | Fuel Line 12" Lg. |
| 13 | 751-0564 | Muffler Deflector |
| 14 | 751-0617 | Muffler |
| 15 | 751-0621 | Exhaust Pipe |
| 16 | 751-3140 | Oil Drain |
| 17 | 751-3141 | Oil Drain Hose |
| 18 | 783-0615 | Muffler Bracket. |



660 THRU 679

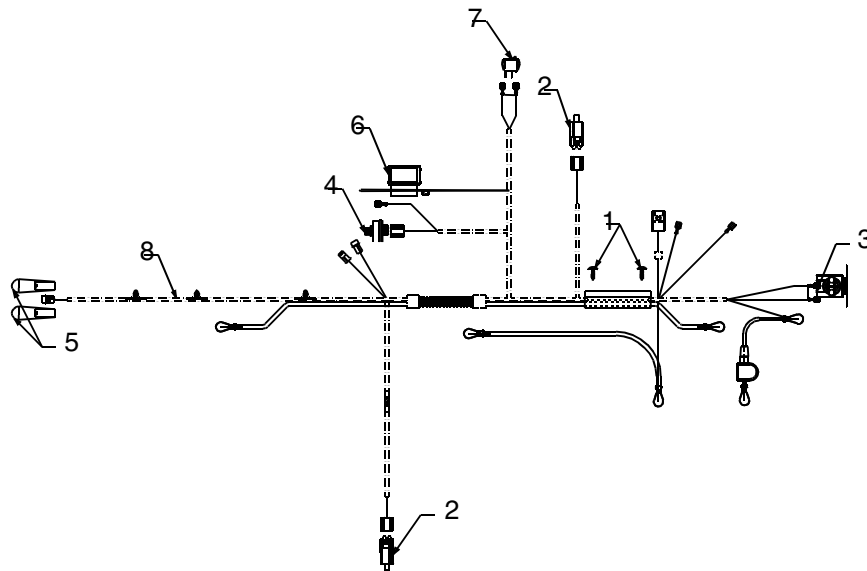
| Ref. No. | Part No. | Description | Ref. No. | Part No. | Description |
|----------|-----------|------------------|----------|-----------|------------------------|
| 1 | 726-3046 | Ratchet | 6 | 725-0634 | Light Switch |
| 2 | 725-1657A | Safety Switch | 7 | 725-0267 | Ignition Switch |
| 3 | 725-1426 | Solenoid | 8 | 629-0303B | Wire Harness |
| 4 | 725-0963 | Bulb (Headlight) | 9 | 629-0209 | Wire Harness Adapter |
| 5 | 725-0925 | Ammeter | 10 | 629-0132 | Wire Harness (Monitor) |

Intek Twin



| Ref. No. | Part No. | Description |
|----------|-------------|--------------------------------------|
| 1 | 710-0148 | Hex Tap Scr. #8-32 x .38" Lg. |
| 2 | 710-0599 | Hex Wash. TT-Tap Scr. 1/4-20 x5" Lg. |
| 3 | 710-0604 | Hex Wash. TT-Tap Scr. 5/16-18 x .62" |
| 4 | 710-1314 | Socket Head Scr. 5/16-18 x .62" |
| 5 | 710-1315 | Hex TT-Tap Scr. 3/8-16 x 1.25" |
| 7 | 721-0460 | Exhaust Gasket |
| 8 | 726-0205 | Hose Clamp |
| 9 | 726-0272 | Clamp |
| 10 | 736-0119 | L-Wash. 5/16" I.D. |
| 12 | 751-0535-12 | Fuel Line 12" Lg. |
| 13 | 751-0564 | Muffler Deflector |
| 14 | 751-0616 | Muffler |
| 15 | 751-0650 | Exhaust Pipe-R.H. |
| 16 | 751-0651 | Exhaust Pipe-L.H. |
| 17 | 751-3140 | Oil Drain |
| 18 | 751-3141 | Oil Drain Hose |
| 19 | 783-0615 | Muffler Bracket |
| 20 | 783-0625 | Heat Shield |

Intek Twin



| Ref. No. | Part No. | Description | Ref. No. | Part No. | Description |
|----------|-----------|------------------|----------|-----------|-----------------------------|
| 1 | 726-3046 | Ratchet | 6 | 725-0925 | Ammeter |
| 2 | 725-1657A | Safety Switch | 7 | 725-0634 | Light Switch |
| 3 | 725-1426 | Solenoid | 8 | 629-0305B | Wire Harness w/Lt./Amp |
| 4 | 725-1396 | Ignition Switch | | 629-0306B | Wire Harness w/Lt./Amp/Mon. |
| 5 | 725-0963 | Bulb (Headlight) | | | |

