



MODULAR CUBER
MACHINE A GLAÇONS MODULAIRE
MODULARER WÜRFELEISBEREITER
IJSBLOKJESMACHINE MET LOSSE OPSLAGBUNKER
FABRICADOR MODULAR DE CUBITOS DE HIELO
CUBETTATRICE MODULARE

INSTALLATION MANUAL NOTICE D'INSTALLATION INSTALLATIONSANLEITUNG INSTALLATIE VOORSCHRIFT MANUAL DE INSTALACION MANUALE PER L'INSTALLAZIONE



IM-240DNE

FOR QUALIFIED INSTALLER ONLY
RESERVE A L'INSTALLATEUR
FÜR DEN INSTALLATEUR
VOOR DE BEVOEGDE INSTALLATEUR
SOLAMENTE PARA INSTALADOR CUALIFICADO
SOLTANTO PER INSTALLATORI QUALIFICATI

IM-240DNE
IM-240XNE
IM-240DWNE
IM-240XWNE
IM-240DSNE
IM-240XSNE
IM-240DNE-C
IM-240DWNE-C

ENGLISH	IMPORTANT SAFETY INFORMATION.....	1
	1. CONSTRUCTION	2
	2. ACCESSORIES	2
	3. UNPACKING	3
	4. LOCATION	3
	5. INSTALLATION.....	4
	6. STACKING ICEMAKERS.....	5
	7. ELECTRICAL CONNECTIONS.....	6
	8. REMOTE CONDENSER UNIT.....	6
	[a] UNPACKING, INSPECTION, PREPARATION	6
	[b] LOCATION.....	7
	[c] INSTALLATION.....	7
	[d] ELECTRICAL CONNECTIONS.....	9
	[e] STACKING CONDENSER UNITS	9
	9. WATER SUPPLY AND DRAIN CONNECTIONS.....	10
	10. START-UP PROCEDURE	11
	11. FINAL CHECKS	12
FRANCAIS	INFORMATIONS DE SECURITE IMPORTANTES	13
	1. CONSTRUCTION	14
	2. ACCESSOIRES	14
	3. DEBALLAGE	15
	4. EMBLACEMENT	15
	5. INSTALLATION.....	16
	6. EMPILEMENT DE MACHINES A GLACE	17
	7. BRANCHEMENTS ELECTRIQUES.....	18
	8. UNITE DE CONDENSEUR A DISTANCE	19
	[a] DEBALLAGE, INSPECTION, PREPARATION	19
	[b] EMBLACEMENT	19
	[c] INSTALLATION.....	20
	[d] BRANCHEMENTS ELECTRIQUES.....	21
	[e] EMPILEMENT D'UNITES DE CONDENSEUR.....	22
	9. BRANCHEMENTS D'ARRIVEE ET DE VIDANGE D'EAU	22
	10. PROCEDURE DE MISE EN ROUTE	24
	11. DERNIERS CONTROLES	24
DEUTSCH	WICHTIGE SICHERHEITSHINWEISE	25
	1. KONSTRUKTION.....	26
	2. ZUBEHÖR.....	26
	3. AUSPACKEN	27
	4. AUFSTELLORT.....	27
	5. INSTALLATION.....	28
	6. STAPELN VON EISBEREITERN.....	29
	7. ELEKTRISCHE ANSCHLÜSSE	30
	8. EXTERNE VERFLÜSSIGEREINHEIT	30
	[a] AUSPACKEN, PRÜFEN, VORBEREITEN.....	30
	[b] STANDORT.....	31
	[c] INSTALLATION.....	31
	[d] ELEKTRISCHER ANSCHLUSS.....	33
	[e] STAPELN VON VERFLÜSSIGEREINHEITEN	33
	9. WASSERZULAUF- UND WASSERABLAUFANSCHLÜSSE.....	34
	10. START-VERFAHREN	36
	11. ABSCHLUSSTESTS.....	36

NEDERLANDS	BELANGRIJKE VEILIGHEIDSINFORMATIE	37
	1. CONSTRUCTIE	38
	2. TOEBEHOREN	38
	3. UITPAKKEN	39
	4. PLAATSING	39
	5. NSTALLATIE	40
	6. IJSMACHINES STAPELEN	41
	7. ELEKTRISCHE AANSLUITINGEN	42
	8. EXTERNE CONDENSOR	43
	[a] UITPAKKEN, INSPECTIE, VOORBEREIDING	43
	[b] LOCATIE	43
	[c] INSTALLATIE	43
	[d] ELEKTRISCHE AANSLUITINGEN	45
	[e] CONDENSORS STAPELEN	45
	9. AANSLUITING VAN WATERTOEVOER- EN WATERAFVOERLEIDINGEN	46
	10. OPSTARTPROCEDURE	48
	11. LAATSTE CONTROLES	48
ESPAÑOL	INFORMACIÓN IMPORTANTE DE SEGURIDAD	49
	1. CONSTRUCCIÓN	50
	2. ACCESORIOS	50
	3. DESEMBALAJE	51
	4. UBICACIÓN	51
	5. INSTALACIÓN	52
	6. ACOPLAMIENTO DE MÁQUINAS DE HIELO	53
	7. CONEXIONES ELÉCTRICAS	54
	8. UNIDAD CONDENSADORA REMOTA	55
	[a] DESEMBALAJE, INSPECCIÓN, PREPARACIÓN	55
	[b] UBICACIÓN	55
	[c] INSTALACIÓN	56
	[d] CONEXIONES ELÉCTRICAS	57
	[e] ACOPLAMIENTO DE UNIDADES CONDENSADORAS	58
	9. SUMINISTRO DE AGUA Y CONEXIONES DE DRENAJE	58
	10. PROCEDIMIENTO DE PUESTA EN MARCHA	60
	11. COMPROBACIONES FINALES	60
ITALIANO	INFORMAZIONI IMPORTANTI SULLA SICUREZZA	61
	1. COMPONENTI	62
	2. ACCESSORI	62
	3. DISIMBALLAGGIO	63
	4. UBICAZIONE	63
	5. INSTALLAZIONE	64
	6. SOVRAPPOSIZIONE DI MACCHINE	65
	7. COLLEGAMENTI ELETTRICI	66
	8. CONDENSATORE REMOTO	66
	[a] DISIMBALLAGGIO, ISPEZIONE, PREPARAZIONE	66
	[b] UBICAZIONE	67
	[c] INSTALLAZIONE	67
	[d] COLLEGAMENTI ELETTRICI	69
	[e] SOVRAPPOSIZIONE DEI CONDENSATORI	69
	9. COLLEGAMENTO DI ALIMENTAZIONE DELL'ACQUA E COLLEGAMENTO DI SCARICO	70
	10. PROCEDURA DI AVVIO	72
	11. CONTROLLI FINALI	72

IMPORTANT SAFETY INFORMATION

Throughout this manual, notices appear to bring your attention to situations which could result in death, serious injury, or damage to the unit.

▲WARNING	Indicates a hazardous situation which, if not avoided, could result in death or serious injury.
▲CAUTION	Indicates a hazardous situation which, if not avoided, could result in minor or moderate injury.
NOTICE	Indicates a hazardous situation which, if not avoided, could result in damage to the unit.
▲HYGIENE	Indicates important precautions for hygiene and food safety.
IMPORTANT	Indicates important information about the use and care of the unit.

IMPORTANT

In order to carry out safe and proper installation of the product, please read this booklet carefully beforehand and follow the instructions contained within.

On completion of the installation, start up the icemaker to check for any abnormalities. Instruct the user on how to use and maintain the icemaker in accordance with the instruction manual.

This booklet should be handed over to the user after the installation and be preserved by the user together with the instruction manual for any further consultation that may be necessary.

▲WARNING

This is a commercial icemaker, and should be destined only to be used for the purpose for which it has been expressly designed and attached to a suitable storage bin as specified by Hoshizaki.

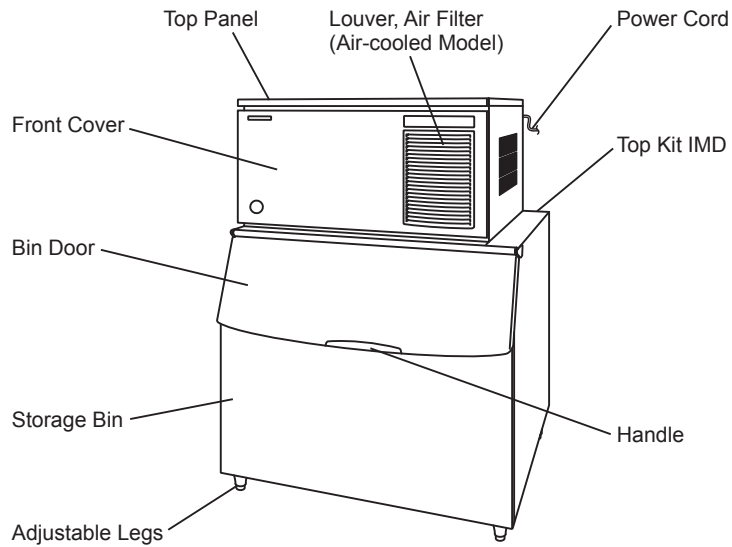
Any other use should be considered improper and therefore dangerous. The manufacturer will not be held liable or responsible for any damage caused by improper, incorrect and unreasonable use.

The installation, and relocation if necessary, must be carried out by qualified personnel, in accordance with current regulations, according to the manufacturer's instructions.

Keep ventilation openings, in the appliance enclosure or in the built-in structure, clear of obstruction.

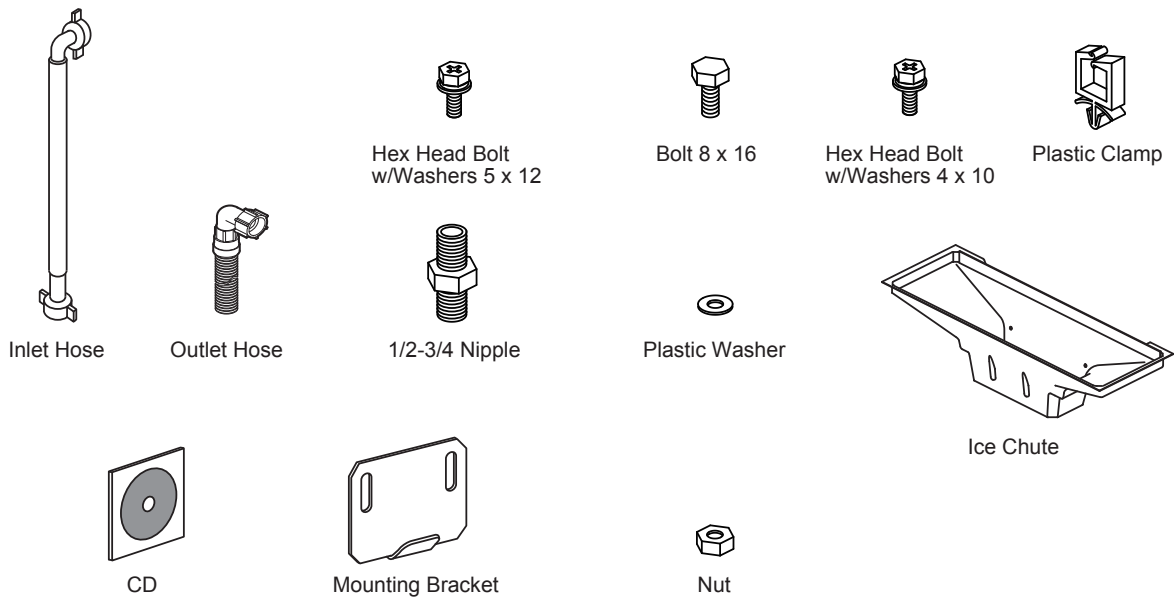
ENGLISH

1. CONSTRUCTION



2. ACCESSORIES

	IM-240DNE(-C)	IM-240DWNE(-C)	IM-240DSNE	IM-240XNE	IM-240XWNE	IM-240XSNE
CD	1	1	1	1	1	1
Inlet Hose	1	2	1	1	2	2
Outlet Hose	1	2	1	1	2	2
1/2-3/4 Nipple	-	2	-	-	2	2
Ice Chute	-	-	-	1	1	1
Mounting Bracket	2	2	2	-	-	-
Hex Head Bolt w/Washers 5 x 12	2	2	2	-	-	-
Bolt 8 x 16	2	2	2	2	2	2
Nut	2	2	2	2	2	2
Plastic Washer	4	4	4	4	4	4
Hex Head Bolt w/Washers 4 x 10	-	-	-	4	4	4
Plastic Clamp	-	-	-	2	2	2



3. UNPACKING

⚠ WARNING

Children should not be allowed in reach of the packaging elements (plastic bags and expanded polystyrene) as they are potential sources of danger.

⚠ CAUTION

Do not lift or manoeuvre the carton by using the shipping bands.

When moving the unit by hand, remove the panels and hold the unit frame.

Always wear protective gloves when carrying the unit.

When handling the carton or the unpacked unit, work in pair to prevent injury.

NOTICE

Remove shipping carton, tape(s) and packing. If packing material is left in the icemaker, it will not work properly.

Note: This icemaker needs a storage bin. Hoshizaki recommends the following ice storage bins:

B801SA (Top Kit IMD)----- IM-240D/IM-480D/IM-720D

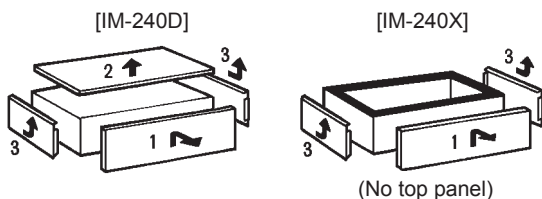
B700SF ----- IM-240D/IM-480D

B800SF (Top Kit 4) ----- IM-480D/IM-720D

B900SF (Top Kit 8) ----- IM-480D/IM-720D

1) After removing the packaging, make sure that the icemaker and the storage bin are in good condition. If in doubt, please do not use the icemaker but apply to professionally qualified personnel. See the instruction sheet attached to the storage bin for its unpacking and installation guidelines.

2) Remove the icemaker panels to gain access to the accessory kit and to assist easier installation.

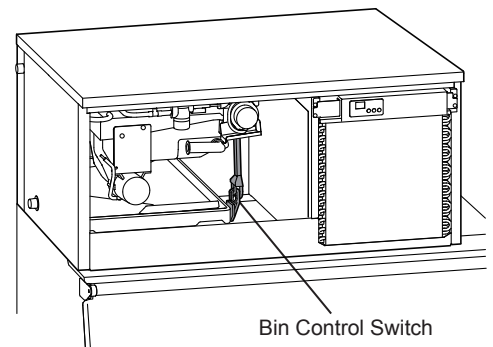


- a) Front Cover: Remove the screw(s). Lift up and pull toward you.
- b) Top Panel: Remove the screw(s). Simply lift off.
- c) Side Panel: Remove the screw(s) [IM-240X only]. Slide forward slightly, and then lift off.
- d) Rear Panel: Does not require removal.

3) Remove the package of accessories. Check the contents according to "2. ACCESSORIES".

4) Remove the shipping tape holding the bin control switch.

5) Remove the protective plastic film from the exterior. If the icemaker is exposed to the sun or to heat, remove the film after the icemaker cools.



4. LOCATION

⚠ WARNING

This icemaker is not intended for outdoor use.

The icemaker should not be located next to ovens, grills or other high heat producing equipment.

This appliance is not suitable for installation in an area where a water jet could be used.

⚠ CAUTION

The location should provide a firm and level foundation for the icemaker.

NOTICE

Do not place anything on top of the icemaker or in front of the louver.

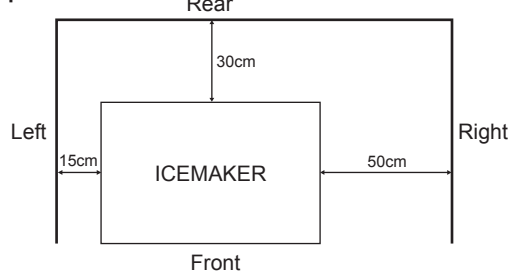
IMPORTANT

Normal operating ambient temperature should be within 1°C to 40°C. Water connection is cold water only. Operation of the icemaker, for extended periods, outside of these normal temperature ranges may affect production capacity.

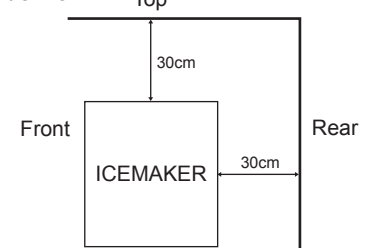
Allow the clearance specified below for proper air circulation and ease of maintenance and/or service should they be required.

[Air-cooled model]

Top View



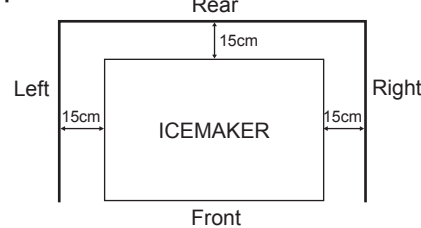
Side View



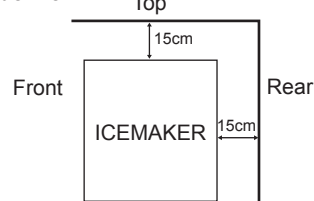
[Water-cooled model]

[Remote Air-cooled model]

Top View



Side View



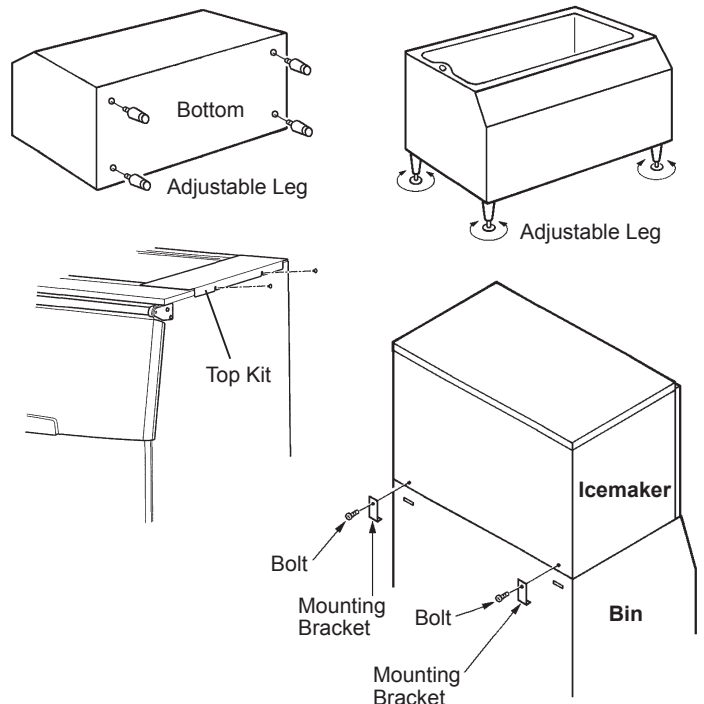
In some high humidity environments, condensation may form inside the machine and drip onto the floor. Do not install where the floor can be affected by water.

5. INSTALLATION

CAUTION

Incorrect installation can cause harm to people, animals or other items, for which the manufacturer cannot be held responsible.

- 1) Lay the storage bin on its rear side carefully to prevent damage. Secure the four adjustable legs (bin accessory) into the four tapped holes on the underside of the bin.
- 2) Position the storage bin in the selected permanent position, and level it in both the left-to-right and front-to-rear directions.
- 3) Use the screws provided on the left or right side of the storage bin to install the top kit.
- 4) Remove the icemaker panels. The rear panel is not required to be removed for installation. See "3. UNPACKING".
- 5) Place the icemaker on the top of the storage bin. Be careful not to damage the icemaker frame and the bin control switch.
- 6) Secure the icemaker to the storage bin at the rear, by using the mounting brackets and bolts provided.
- 7) Replace the icemaker panels in their correct position.



6. STACKING ICEMAKERS

NOTICE

Check the icemaker models. A D-type icemaker and an X-type icemaker will be required for stacking two icemakers. A D-type icemaker and two X-type icemakers will be required when stacking three icemakers. The D-type icemaker is designed for the upper unit, and the X-type for the middle and lower units.

The D-type and X-type icemakers are provided with two different types of bin control switch. Use the bin control switch of the lower (and middle) X-type icemakers when stacking icemakers. The bin control switch must be removed from the upper unit. Misconnection or no connection may cause serious damage to the icemaker units, resulting in failure.

1) Prepare and position the storage bin as detailed in 1), 2) and 3) in "5. INSTALLATION".

2) Remove the icemaker panels. The rear panel is not required to be removed for installation. See "3. UNPACKING".

3) Attach the lower unit (X-type) on the top of the storage bin.

4) Secure the lower unit (X-type) to the storage bin at the rear, by using the mounting brackets and bolts provided.

5) Remove the shipping tape holding the bin control switch on the drain pan. Attach the bin control switch to the frame located at the left bottom of the condensing unit, and secure it using the two screws and the two washers provided.

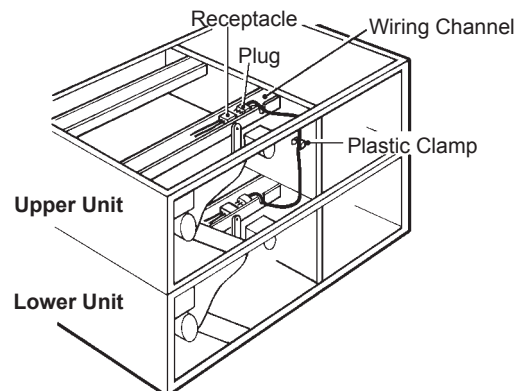
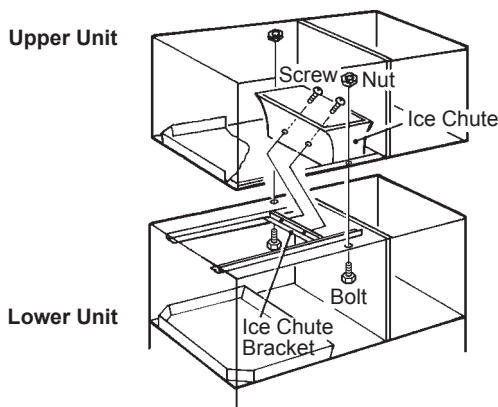
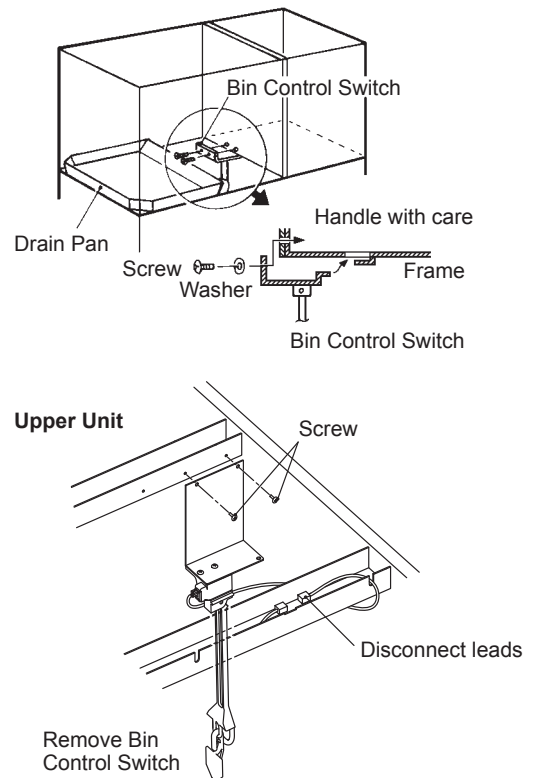
6) Before stacking, disconnect the bin control switch leads (with three-way plug) from the upper or middle unit. Remove the screws and the bin control switch. When stacking two or three icemakers, the switch for the upper unit will not be required. Keep it after removal.

7) Attach the upper or middle unit on the lower unit.

8) Secure the two units with the two bolts and the two nuts provided.

9) Place the ice chute (lower or middle unit accessory) and secure it to the bracket with the two screws.

10) Connect the leads (with three-way plug) located in the lower unit wiring channel to the upper unit receptacle, unplugged in the above step 6). Secure the leads using the plastic clamp provided.



11) Replace the icemaker panels in their correct position.

Note: If stacking three icemakers, repeat the instructions 6) - 11) for the upper unit. Remember, only ONE bin control is needed regardless of configuration. The bin control extension leads are pre-wired with the plug and will be found coiled in the X-type wiring channel.

ENGLISH

7. ELECTRICAL CONNECTIONS

⚠ WARNING

THIS APPLIANCE MUST BE EARTHED

This icemaker requires an earth that meets the national and local electrical code requirements.

To prevent possible severe electrical shock to individuals or extensive damage to the unit, install a proper earth wire to the icemaker.

Disconnect the main power supply before any maintenance, repairs or cleaning is undertaken.

- * This appliance requires a separate 220 - 240VAC, 13A supply. The electrical supply must be protected by a suitable circuit breaker.
- * Stacked icemakers should each have a separate receptacle, but they must all be connected in parallel to the same single phase supply or circuit with sufficient ampacity. In addition and to avoid nuisance tripping, individual circuit breakers for each machine should not be used.
- * The main control box fuse is rated at 5A and should only be replaced by a qualified service engineer.
- * Usually an electrical permit and services of a licensed electrician are required.
- * If the supply cord is damaged, it must be replaced by a replacement cord available from Hoshizaki Parts/Service Centres.
- * In accordance with the requirement of the IEC standard, the maximum permissible system impedance (Z_{max}) at the interface point of the power supply to be connected with this icemaker must be $0.23+j0.23$ ohm. Determine in consultation with the supply authority, if necessary, that the icemaker is connected only to a supply of $0.23+j0.23$ ohm or less.

For the U.K. and the Republic of Ireland only

- * The wires in the mains lead are coloured in accordance with the following code:

Green & Yellow = Earth

Blue = Neutral

Brown = Live

As the colours of the wire in the mains lead of this appliance may not correspond with the coloured markings identifying the terminals in your plug, proceed as follows:

The wire which is coloured Green-and-Yellow must be connected to the terminal in the plug which is marked with the letter E or by the symbol \perp or coloured Green or Green-and-Yellow. The wire which is coloured Blue must be connected to the terminal which is marked with the letter N or coloured Black. The wire which is coloured Brown must be connected to the terminal which is marked with the letter L or coloured Red.

- * Should the socket outlets in the installation site not be suitable for the plug supplied with your product, the plug must be removed (cut off if it is moulded on plug) and an appropriate plug fitted.

If the non-rewirable plug has been cut from the power supply cord, it must be disposed of. There should be no attempt to reuse it. Inserting such a plug into a socket elsewhere presents a serious risk of electrical shock.

- * The non-rewirable plug must never be used without a fuse cover being fitted.

The correct replacement for the detachable fuse cover is identifiable from the manufacturer's reference number stamped on the plug.

Supply of replacement fuse covers can be obtained from Hoshizaki Parts/Service Centres.

Fuses should be rated at 13A and approved to BS 1362.

8. REMOTE CONDENSER UNIT

[a] UNPACKING, INSPECTION, PREPARATION

- 1) Unpack and remove shipping carton, tape(s) and packing.
- 2) Remove the top panel.

- 3) Check that the refrigerant lines do not rub or touch lines or other surfaces, and that the fan blade turns freely.
- 4) Recommended parts and materials listed below will be required.

Cord

17 AWG (1.0 mm²) three-wire cord will be required for the fan motor wiring between the icemaker and the condenser unit (L+N+ $\frac{1}{\text{ground}}$).

Copper tubing

Phosphorous deoxidized copper tubing. Two tubes of the same diameter will be required for refrigerant lines. Mark them for a distinction between the gas line and liquid line to prevent misconnection.

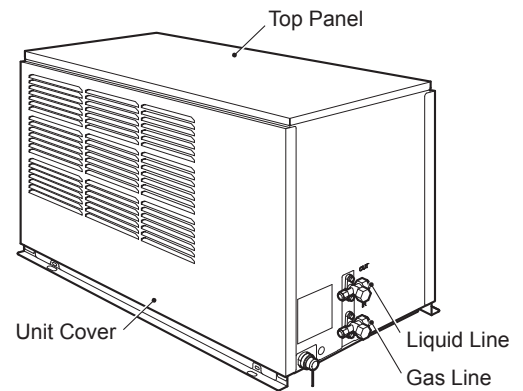
- 9.52 (OD) x 7.93 (ID) - gas
- 9.52 (OD) x 7.93 (ID) - liquid

Pipe insulation (for gas and liquid pipes)

To withstand temperatures up to 120°C.

Bolt

Four M8 hexagon bolts for securing the condenser unit.

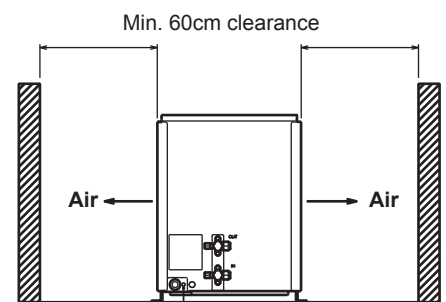


- 5) Do not remove the unit cover before finishing installation, to prevent damage to the air-cooled condenser.

[b] LOCATION

The condenser is intended for outdoor use and must be positioned in a permanent well ventilated side under the following guidelines:

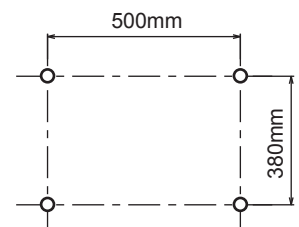
- * Select a firm and flat site.
- * Should not be exposed to harsh or adverse weather conditions.
- * Preferably a dry and well ventilated area with 60 cm clearance on both front and rear for ease of maintenance and service should they be required.
- * Normal condenser ambient temperature: +1°C to +40°C. Temperatures not within this operating range may affect the production capacity of the icemaker.
- * When the condenser unit is installed on a roof, a 50 cm height base is recommended to prevent heat reflection and to avoid the possibility of the unit standing in water.
- * The maximum line length is 10 m. For information on longer line installations, contact the nearest Hoshizaki Service office. (See the instruction manual for contact details.)
- * The condenser should not be installed more than 6 m above the height of the icemaker or more than 2 m below it.



Note: If the recommended guidelines of the installation are exceeded, the icemaker performance may be reduced.

[c] INSTALLATION

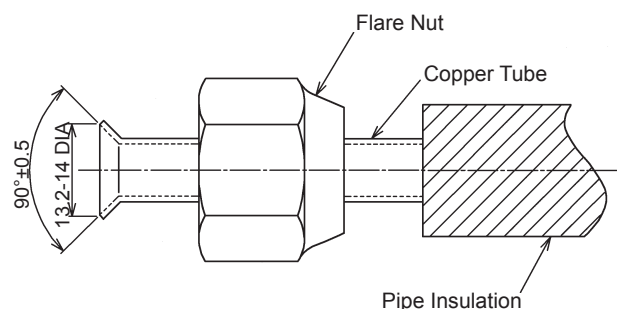
- 1) This condenser unit is provided with four mounting holes. Secure the condenser unit with four bolts.
- 2) Remove the flare nut from each of the access valves on the icemaker and condenser unit.



Note: Remove and discard the copper caps on the flare nuts.

- 3) The two copper tubes (9.52 mm OD) to be provided on site should be insulated separately. Place the flare nuts onto each end of the tubes and flare the tube ends.

Note: The tube ends to be flared should be free from damage, cracks and burrs and also clear of grease or scraps.



ENGLISH

- 4) Connect the flared copper tubes on to the icemaker and condenser unit. The two tubes have the same diameter so mark them for a distinction between the gas line and the liquid line to prevent misconnection. Apply some clean refrigerant oil of a suitable type to the surfaces of the flare before connection and tightening. Support the access valve with a spanner on the flat surfaces when tightening the nuts.

- Note: 1. Tighten the flare nuts to a torque of 38 ± 4 Nm.
2. Check the distinction marks on both ends of each copper tube to make sure the connections are correct.
3. The tubes should not vibrate. Fix or secure the tubes to prevent stressing.

- 5) Remove the service gauge port caps from the access valves on the icemaker. Evacuate the lines through the gauge ports for 20 minutes at max. 0.1 torr. Charge both lines with vapour refrigerant R404A to a pressure of 1 bar. Add nitrogen to raise the pressure to 15 bar. Thoroughly leak test the joints with a leak detector or soap bubbles.

- 6) Evacuate the lines again at max. 0.1 torr. Vapour charge the lines to 1 - 2 bar with refrigerant R404A. (The actual charge will depend upon the length of tube run.)

Base charge up to 10m: 2000g
Additional charge for each additional meter: 40g

As the total precharged refrigerant amount in the icemaker and remote condenser is 2000g, the required refrigerant charge will be:
 $40g \times [\text{length of tube run} - 10] m$

Example - If the length of tubing run is 15m (i.e. distance between the icemaker and Condenser)

$15m - 10m = 5m$
Base charge = 2000g (up to 10m run)
Additional charge = $40g/m$
Required refrigerant charge = $40g \times 5m = \underline{200g}$

On completion of the refrigerant charge, remove the charging cylinder and charging lines. Refit the port caps and tighten to a torque of 10 ± 1 Nm.

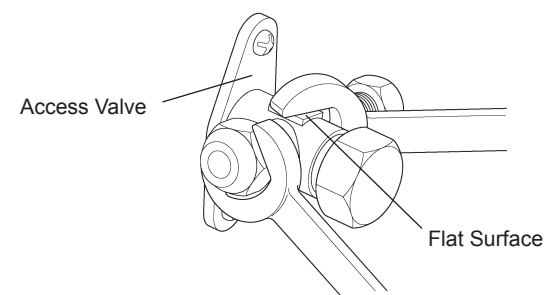
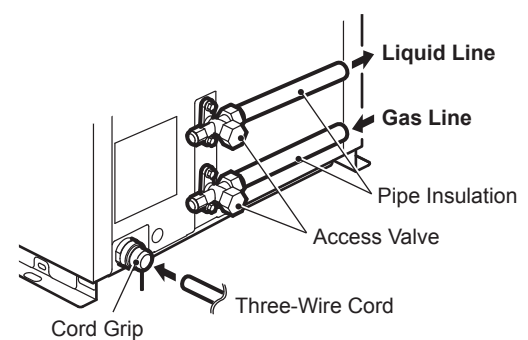
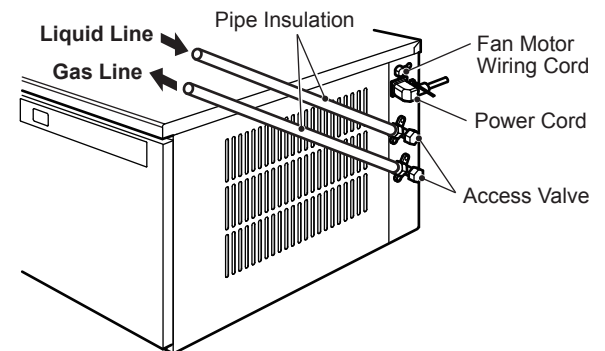
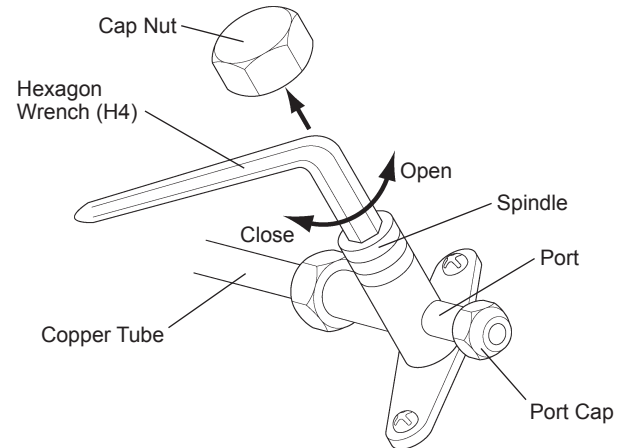
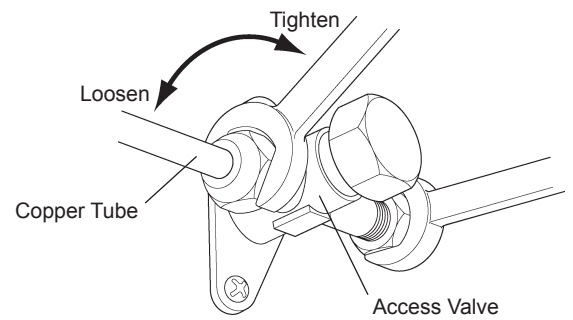
- 7) Remove the cap nuts from the access valves on both the condenser and the icemaker. Open the liquid and gas line valves by turning the spindle with a hexagon wrench until fully open.

- 8) Refit the cap nuts to a torque of 25 ± 3 Nm.

- 9) Check the cap nuts, port caps and flare joints for gas leaks with a detector or soap bubbles.

- 10) Insulate the joints and seal them for water tightness.

Note: When removing or installing the nuts on the access valves, hold the flat surfaces of the valve with a spanner.



[d] ELECTRICAL CONNECTIONS

⚠ WARNING

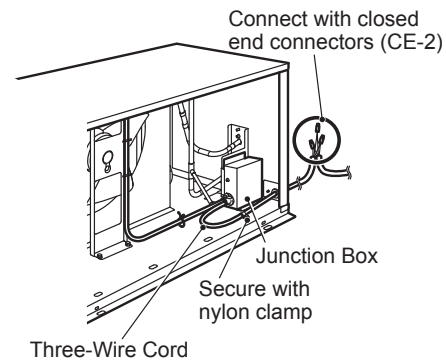
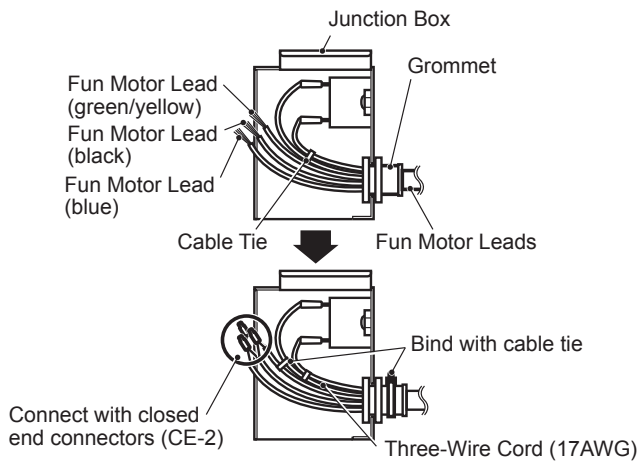
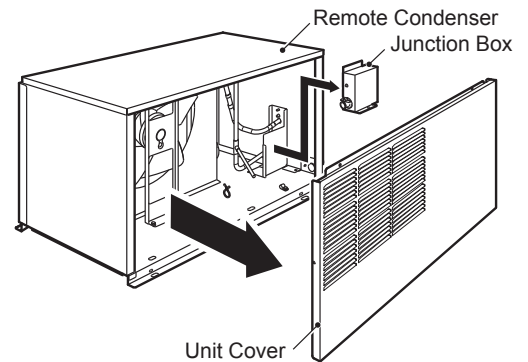
THIS APPLIANCE MUST BE EARTHED

This remote condenser unit requires an earth that meets the national and local electrical code requirements.

To prevent possible severe electrical shock to individuals or extensive damage to equipment, install a proper earth wire to the icemaker and ensure continuity to the condenser.

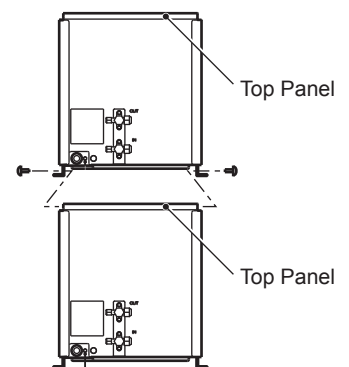
- * Connect the three-wire cord for the fan motor wiring inside the junction box of this condenser unit.
- * Usually an electrical permit and services of a licensed electrician are required.

- 1) Remove the unit cover of the remote condenser.
- 2) Remove the junction box.
- 3) Put the three-wire cord through the bushing.
- 4) Put the three-wire cord through the junction box's grommet. Connect the fan motor leads and the three-wire cord using closed end connectors and bind the grommet using a cable tie. After connection, check if the closed end connectors are faced upward.
- 5) Secure the three-wire cord in position using the cord grip.
- 6) Attach the unit cover of the remote condenser.



[e] STACKING CONDENSER UNITS

- 1) Secure the lower condenser unit.
- 2) Remove the top panel of the lower condenser unit. Keep the four screws for the top panel.
- 3) Attach the upper condenser unit on top of the lower.
- 4) Secure the upper condenser unit with the four screws for the top panel.
- 5) Install refrigerant lines, and make electrical connections for each fan motor.



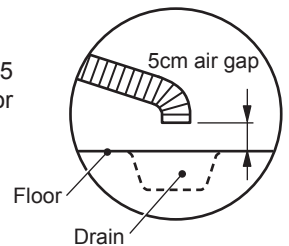
ENGLISH

9. WATER SUPPLY AND DRAIN CONNECTIONS

⚠ WARNING

Connect to potable cold water supply only.

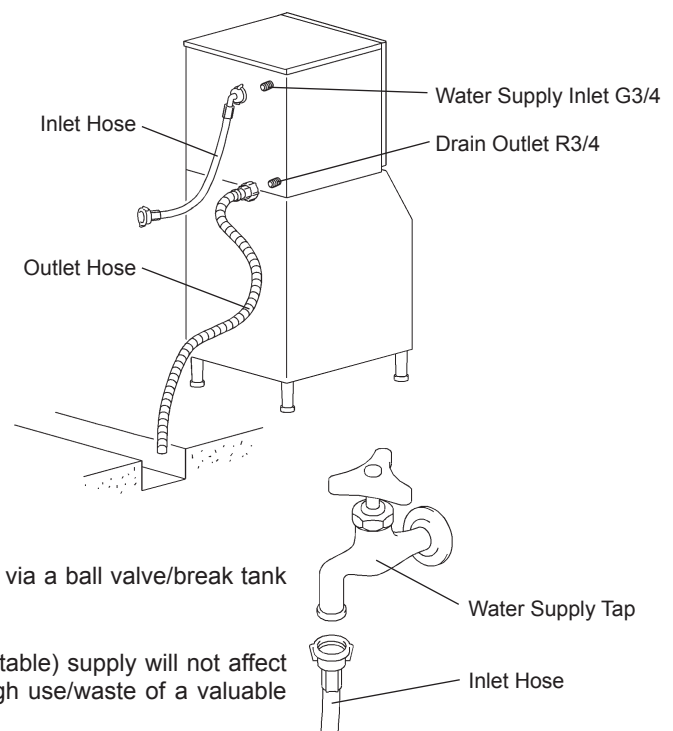
- * The connections to the mains water supply must be made in accordance with the countries' current requirements of the Water Supply or Water Fittings Regulations.
- * Icemaking water must be potable water. Where scaling can be caused by water quality:
 - Installation of an external filter or softener is recommended. Contact your local water treatment professional or Hoshizaki service agent.
 - Change to the "full drain flush" mode is recommended. Contact your local Hoshizaki service agent.
- * Water supply pressure should be minimum 0.07 MPa (0.7 bar) and maximum 0.8 MPa (8 bar). If the pressure exceeds 0.8 MPa (8 bar), use a proper pressure reducing valve. Do **NOT** throttle back the supply tap.
- * A plumbing permit and services of a licensed plumber may be required in some areas.
- * The icemaker drain is gravity flow, so ensure drain hose has an adequate pitch or fall.
- * Drain lines should not be installed directly to the sewer system. A vertical air gap of a minimum of 5 cm should be between the end of the drain hoses from the icemaker and storage bin and the floor drain.
- * Prevent a backflow into the storage bin.
- * On water-cooled model, a back flow preventer may be required in the cooling water circuit.
- * Be sure to use the new hose-sets supplied with the appliance. Do not reuse any old hose-sets.



[Air-Cooled Model]

- 1) Attach the angled end of flexible inlet hose (accessory) to the G3/4 fitting on the rear of the icemaker as indicated, ensuring rubber sealing washer is correctly positioned. Hand tighten sufficiently to provide leak free joint.
- 2) Attach the other end of inlet hose to the water tap, noting washer is correctly positioned before hand tightening as above. It is a wise precaution to have a stop valve within easy reach.
- 3) Hand tighten grey flexible outlet hose (accessory) onto the R3/4 fitting on the rear of the icemaker as indicated, ensuring rubber washer is correctly positioned to obtain a leak free joint. The hose can be cut to length as necessary to suit position of main drain.

Air-Cooled Model



[Water-Cooled Model]

- * Hoshizaki recommends that the water-cooled condenser should be connected to a closed circuit recirculating type cooling system utilizing a tower, water chiller or similar. Water make up should be via a ball valve/break tank arrangement.
- * Whilst connecting a water-cooled condenser to a mains water (potable) supply will not affect the performance of the machine, it will most certainly cause a high use/waste of a valuable resource and is not recommended.
- * The services of a licensed or coded plumber should be used to ensure a correct installation.
- * The connections should be made properly in compliance with the applicable national or local regulations.

[a] Standard connections according to WRAS regulations in U.K.

* When selecting a cooling tower, refer to the following peak values of heat flow in the condenser:

Model IM-240AW: 5235 W

* Pipes between the cooling tower and the icemaker should be at least 20 mm DIA to reduce pressure loss, even though the icemaker fittings are 13 mm DIA.

* Pressure loss in the water circuit inside the unit will be 5 to 6 m when the cooling water flows at the ratio of 4 to 5 lit/min.

* Select a circulating pump referring to the above values of heat flow.

* Do not use a cascade pump, or the water regulator will vary the flow and stop it during the defrost cycle.

[Icemaker Connections]

1) Attach the angled end of flexible inlet hose (accessory) to the G3/4 fitting on the rear of the icemaker as indicated, ensuring rubber sealing washer is correctly positioned. Hand tighten sufficiently to provide leak free joint.

2) Attach the other end of inlet hose to the water tap, noting washer is correctly positioned before hand tightening as above.

Note: If filtration or treatment is used, ensure icemaker section only is on treated water supply, not the condenser.

3) Attach grey flexible outlet hose (accessory) to the R3/4 fitting on the rear of the icemaker as indicated, confirming fitment of rubber washer before finally hand tightening the joint. The hose can be cut to length as necessary to suit position of main drain.

4) By means of a suitable spanner or wrench, tighten the 1/2-3/4 nipples (accessory) into the Rc1/2 fittings on the rear of the icemaker as indicated. P.T.F.E. tape and/or a suitable sealing compound should be used to obtain a leak free joint.

Note: Jointing compounds should be approved and suitable for potable water use.

5) Connect the condenser cooling circuit to the free end of 1/2-3/4 nipples as indicated using a suitable rigid type pipe.

[b] Connections according to regulations other than WRAS by utilising accessory hoses

1) Follow the instructions from 1) to 4) in [a] above.

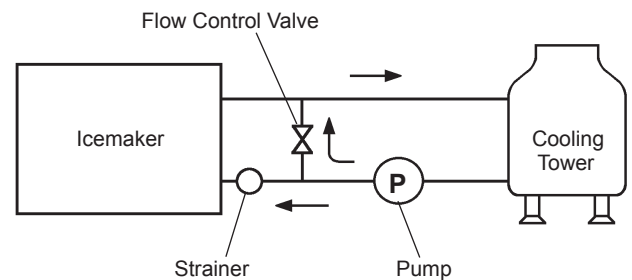
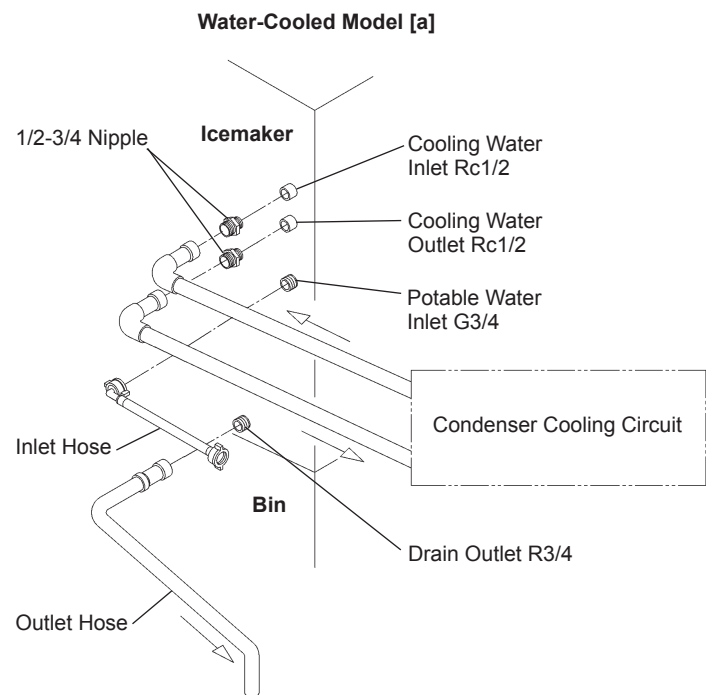
2) For condenser connections, use supplied accessory hoses and make the same connections as 1) to 3) in [a] above to the free end of 1/2-3/4 nipples as indicated.

10. START-UP PROCEDURE

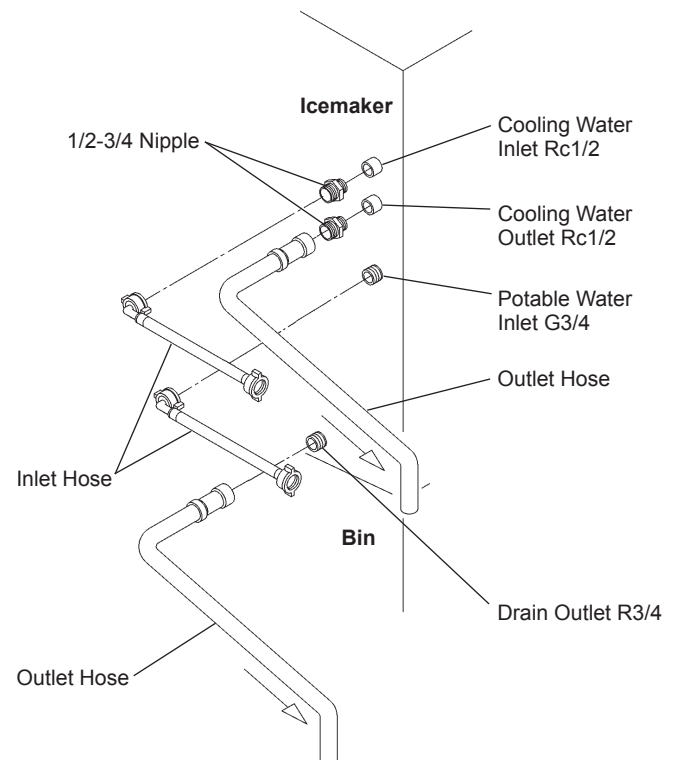
1) Open the water tap.

2) Connect the power supply and energise.

3) The display indicates "on".



Water-Cooled Model [b]



ENGLISH

- 4) The following should occur in sequence:
- a) Hot gas valve will open.
 - b) Compressor will start after 30 seconds.
 - c) Water pan will fully open.
 - d) Water solenoid will open.
 - e) Water pan will start to close (hot gas valve closed).
 - f) Water pan fully closed - pump motor will start.
 - g) Water solenoid will close.

▲HYGIENE
Check the conditions and quality of the ice production.
Do not use ice produced in the trial run. It might be contaminated with foreign matter in the water circuit. Discard or flush down the drain.
Clean the storage bin before use (see "III. 1. CLEANING" in instruction manual).

11. FINAL CHECKS

- 1) Check for correct supply voltage.
- 2) Check that the icemaker is properly earthed.
- 3) Check that the icemaker is free from vibration.
- 4) Check that all the panels are fixed and secure.
- 5) Check for proper operation according to "10. START-UP PROCEDURE".
- 6) Check the water supply and drain connections for water leaks.
- 7) Instruct the user on correct machine use. Hand the instruction manual to the user.

INFORMATIONS DE SECURITE IMPORTANTES

Tout au long de ce manuel, des avis attirent votre attention sur des situations qui pourraient entraîner la mort, des blessures graves ou des dégâts à l'appareil.

▲AVERTISSEMENT	Signale une situation dangereuse qui, si elle n'est pas évitée, peut entraîner des blessures graves voire mortelles.
▲ATTENTION	Signale une situation dangereuse qui, si elle n'est pas évitée, peut entraîner des blessures mineures ou modérées.
AVIS	Signale une situation dangereuse qui, si elle n'est pas évitée, peut entraîner des dégâts à l'appareil.
▲HYGIENE	Signale des précautions importantes à prendre en matière d'hygiène et de sécurité alimentaire.
IMPORTANT	Signale des informations importantes sur l'utilisation de l'appareil et son entretien.

IMPORTANT

Afin d'installer correctement le produit avec toutes les garanties de sécurité, veuillez d'abord lire attentivement cette notice et suivez soigneusement les instructions.

A la fin de l'installation, mettre la machine à glace en service pour vérifier l'absence d'anomalies. Indiquer à l'utilisateur comment utiliser et entretenir la machine à glace conformément à la notice d'utilisation.

Cette notice doit être remise à l'utilisateur après l'installation et conservée par ce dernier avec la Notice d'utilisation pour consultation ultérieure éventuelle.

▲AVERTISSEMENT

Cette machine à glace a été conçue pour des applications commerciales ; elle ne peut être utilisée qu'aux fins auxquelles elle est expressément destinée, et fournie avec un bac de stockage adapté tel que spécifié par Hoshizaki.

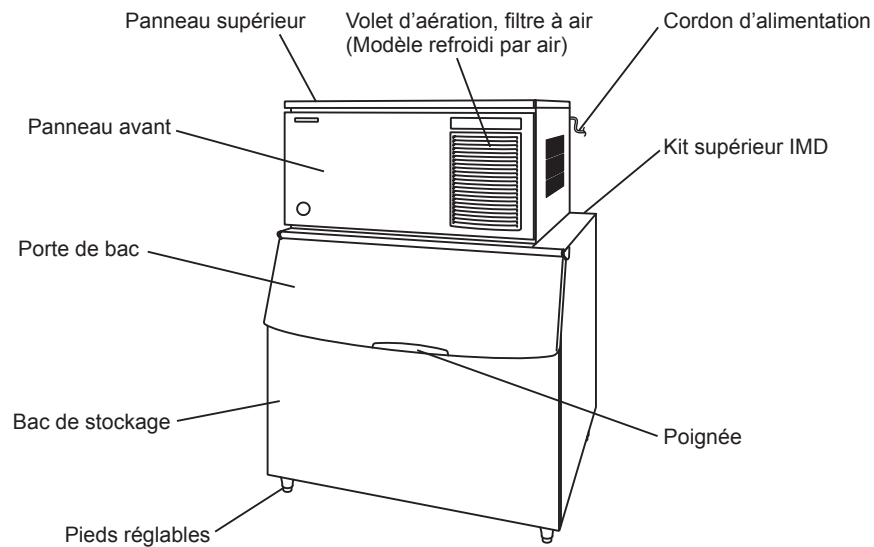
Toute autre utilisation doit être considérée comme inappropriée et donc dangereuse. Le fabricant décline toute responsabilité pour les dégâts provoqués par une utilisation inappropriée, incorrecte et abusive.

L'installation, et le transfert le cas échéant, doivent être effectués par un personnel qualifié, conformément aux réglementations en vigueur et aux consignes du fabricant.

Veillez à ce que les ouvertures de ventilation de l'enceinte de l'appareil et de la structure intégrée ne soient pas obstruées.

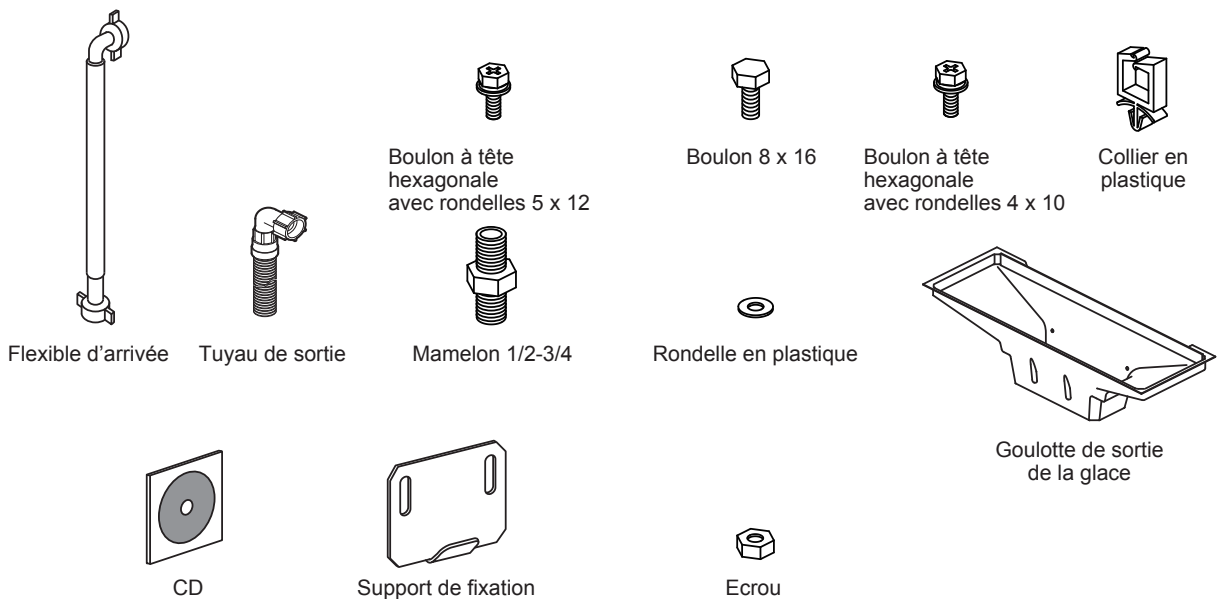
FRANCAIS

1. CONSTRUCTION



2. ACCESSOIRES

	IM-240DNE(-C)	IM-240DWNE(-C)	IM-240DSNE	IM-240XNE	IM-240XWNE	IM-240XSNE
CD	1	1	1	1	1	1
Flexible d'arrivée	1	2	1	1	2	2
Tuyau de sortie	1	2	1	1	2	2
Mamelon 1/2-3/4	-	2	-	-	2	2
Goulotte de sortie de la glace	-	-	-	1	1	1
Support de fixation	2	2	2	-	-	-
Boulon à tête hexagonale avec rondelles 5 x 12	2	2	2	-	-	-
Boulon 8 x 16	2	2	2	2	2	2
Ecrou	2	2	2	2	2	2
Rondelle en plastique	4	4	4	4	4	4
Boulon à tête hexagonale avec rondelles 4 x 10	-	-	-	4	4	4
Collier en plastique	-	-	-	2	2	2



3. DEBALLAGE

⚠ AVERTISSEMENT

Les enfants doivent être tenus à l'écart des éléments d'emballage (sacs en plastique et polystyrène expansé) car ils constituent des sources de danger potentielles.

⚠ ATTENTION

Ne pas soulever ou déplacer le carton en utilisant les sangles d'emballage.

En cas de déplacement de l'appareil à la main, retirer les panneaux et tenir le châssis de l'appareil.

Toujours porter des gants de protection lors du transport de l'appareil.

Lors de la manipulation du carton ou de l'appareil déballé, travailler à deux pour éviter les blessures.

AVIS

Enlever le carton de transport, le ruban adhésif et le matériel d'emballage. S'il reste des matériaux d'emballage dans la machine à glace, elle ne fonctionnera pas correctement.

Remarque : Cette machine à glace doit être équipée d'un bac de stockage. Hoshizaki recommande l'utilisation des bacs de stockage suivants :

B801SA (Kit supérieur IMD)-----IM-240D/IM-480D/IM-720D

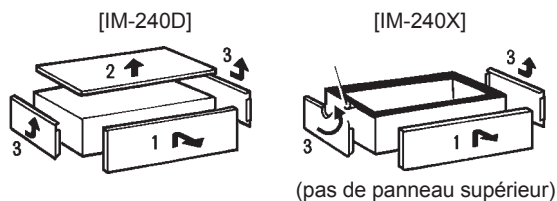
B700SF -----IM-240D/IM-480D

B800SF (Kit supérieur 4)-----IM-480D/IM-720D

B900SF (Kit supérieur 8)-----IM-480D/IM-720D

1) Après avoir enlevé les matériaux d'emballage, vérifier que la machine à glace et le bac de stockage sont en bon état. En cas de doute, ne pas utiliser la machine à glace et faire appel à un technicien qualifié. Voir les instructions de déballage et d'installation de la machine qui sont fixées au bac de stockage.

2) Retirer les panneaux de la machine à glace afin d'accéder au kit d'accessoires, et pour une installation plus facile.

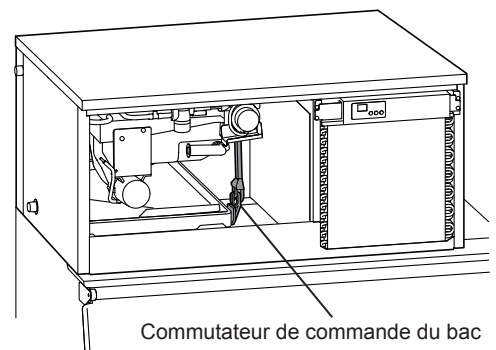


- a) Panneau avant : Déposer les vis. Soulever et tirer vers soi.
- b) Panneau supérieur : Déposer les vis. Soulever.
- c) Panneau latéral : Retirer la/les vis [IM-240X uniquement]. Faire légèrement coulisser vers l'avant, puis soulever.
- d) Panneau arrière : Il n'est pas nécessaire de le retirer.

3) Retirer le paquet d'accessoires. Vérifier le contenu conformément à la section «2. ACCESSOIRES».

4) Retirer le ruban d'emballage retenant le commutateur de commande de bac.

5) Retirer le film protecteur en plastique recouvrant l'extérieur. Si la machine à glace a été exposée au soleil ou à la chaleur, la laisser refroidir avant d'enlever le film.



4. EMPLACEMENT

⚠ AVERTISSEMENT

Cette machine à glace n'est pas conçue pour être utilisée à l'extérieur.

La machine à glace ne doit pas être placée à proximité de fours, de grills ou de toute autre source de chaleur importante.

Cet appareil n'est pas conçu pour être installé dans une zone où un jet d'eau peut être utilisé.

⚠ ATTENTION

La machine à glace doit avoir une assise solide et horizontale.

AVIS

Ne rien poser sur le dessus de la machine ni devant le volet d'aération.

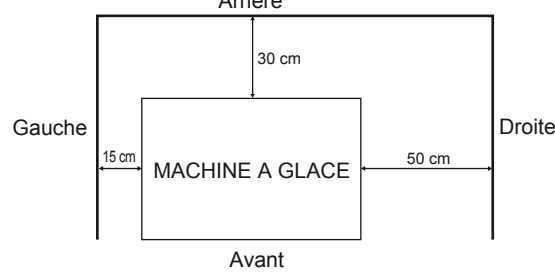
IMPORTANT

La température ambiante normale de service doit être comprise entre 1 °C et 40 °C. Le raccordement à l'eau est uniquement pour de l'eau froide. Le fonctionnement de la machine en dehors de ces plages de températures, pendant des durées prolongées, risque d'affecter la capacité de production de glaçons.

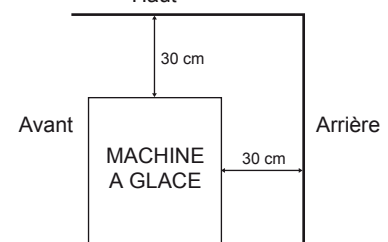
Pour assurer une bonne circulation d'air et faciliter les opérations de maintenance ou d'entretien, prévoir le dégagement indiqué ci-dessous.

[Modèle avec refroidissement par air]

Vue de dessus



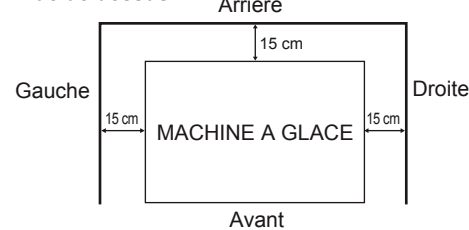
Vue latérale



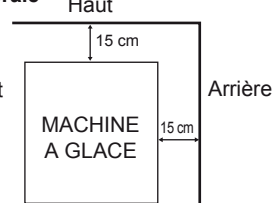
[Modèle avec refroidissement par eau]

[Modèle avec refroidissement par air à distance]

Vue de dessus



Vue latérale



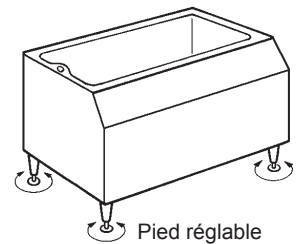
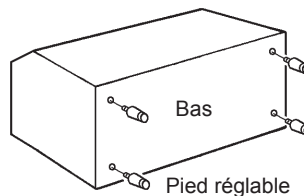
Dans certains environnements très humides, de la condensation peut se former à l'intérieur de la machine et couler sur le sol. Ne pas installer l'appareil sur un sol que l'eau pourrait endommager.

5. INSTALLATION

⚠ ATTENTION

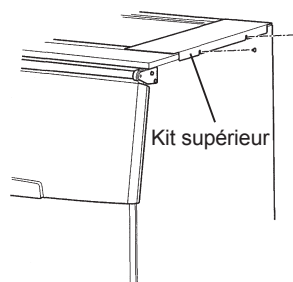
Une installation incorrecte de la machine peut avoir des conséquences néfastes sur les personnes, les animaux ou d'autres choses, pour lesquelles le fabricant ne peut être tenu responsable.

1) Coucher le bac de stockage sur l'arrière en veillant à ne pas l'endommager. Fixer les quatre pieds réglables (accessoires de bac) dans les quatre orifices taraudés situés sous le bac.



2) Positionner le bac de stockage dans l'emplacement permanent choisi, puis le mettre à niveau dans le sens latéral et dans la profondeur.

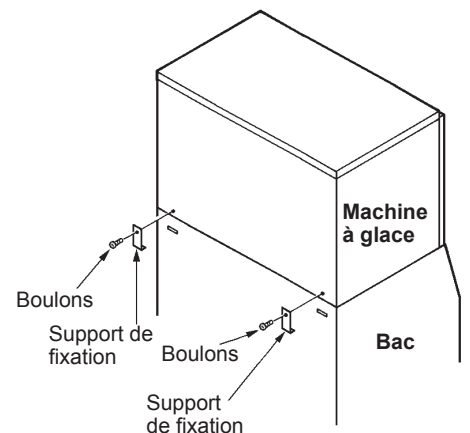
3) Utiliser les vis fournies à gauche ou à droite du bac de stockage pour installer le kit supérieur.



4) Retirer les panneaux de la machine à glace. Il n'est pas nécessaire de retirer le panneau arrière lors de l'installation. Voir « 3. DEBALLAGE ».

5) Placer la machine à glace sur le bac de stockage. Veiller à ne pas endommager le cadre de la machine à glace ni le commutateur de commande de bac.

6) Fixer la machine à glace sur le bac de stockage par l'arrière en utilisant les supports de fixation et les boulons fournis.



7) Replacer les panneaux de la machine à glace à leur position initiale.

6. EMPILEMENT DE MACHINES A GLACE

AVIS

Vérifier le modèle des machines à glace. Pour empiler deux machines à glace, il est nécessaire de disposer d'une machine de type D et d'une machine de type X. Pour empiler trois machines à glace, il est nécessaire de disposer d'une machine de type D et de deux machines de type X. La machine de type D est conçue pour être positionnée au-dessus (unité supérieure) ; la machine de type X est conçue pour être positionnée au milieu et au-dessous (unités centrale et inférieure).

Les machines à glace de type D et de type X sont fournies avec deux types de commutateurs de commande de bac différents. En cas d'empilement de plusieurs machines à glace, utiliser le commutateur de commande de bac du type X d'unité inférieure (et centrale). Retirer le commutateur de commande de bac de l'unité supérieure. Un branchement défectueux ou inexistant risque de provoquer de sérieux dommages au niveau des unités de machine à glace et de provoquer un dysfonctionnement.

1) Préparer et positionner le bac de stockage comme indiqué sous les points 1), 2) et 3) du chapitre « 5. INSTALLATION ».

2) Retirer les panneaux de la machine à glace. Il n'est pas nécessaire de retirer le panneau arrière lors de l'installation. Voir « 3. DEBALLAGE ».

3) Fixer l'unité inférieure (type X) sur le haut du bac de stockage.

4) Fixer l'unité inférieure (type X) sur le bac de stockage par l'arrière en utilisant les supports de fixation et les boulons fournis.

5) Retirer le ruban d'emballage retenant le commutateur de commande de bac sur le bac de vidange. Mettre le commutateur de commande de bac sur le cadre situé en bas à gauche de l'unité de condenseur, et le fixer à l'aide des deux vis et des deux rondelles fournies.

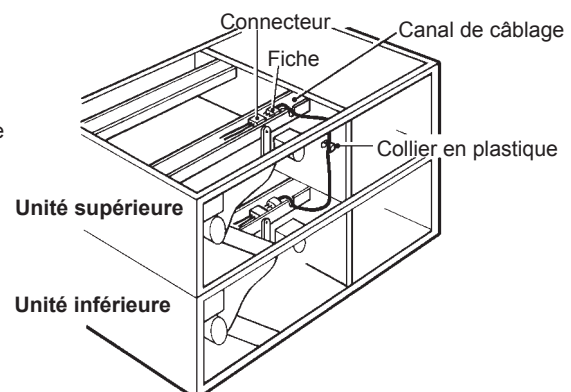
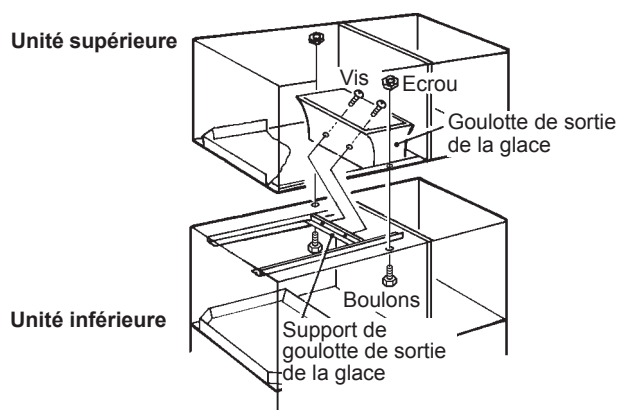
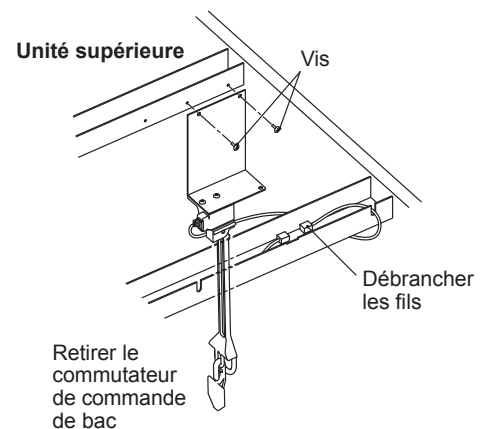
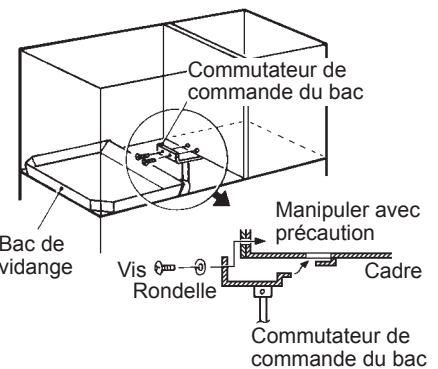
6) Avant l'empilement, débrancher les fils du commutateur de commande de bac (avec fiche triple) de l'unité supérieure ou centrale. Retirer les vis et le commutateur de commande de bac. Lors de l'empilement de deux ou trois machines à glace, le commutateur de l'unité supérieure est inutile. Le garder après l'avoir retiré.

7) Fixer l'unité supérieure ou centrale sur l'unité inférieure.

8) Fixer les deux unités avec les deux boulons et les deux écrous fournis.

9) Positionner la goulotte de sortie de la glace (accessoire pour unité inférieure ou centrale), puis la fixer au support avec les deux vis.

10) Brancher les fils [avec fiche triple - débranchés lors de l'étape 6) ci-dessus] du canal de câblage de l'unité inférieure sur le connecteur de l'unité supérieure. Fixer les fils à l'aide du collier en plastique fourni.



11) Replacer les panneaux de la machine à glace à leur position initiale.

Remarque : En cas d'empilement de trois machines à glace, répéter les étapes 6) à 11) pour l'unité supérieure. Ne pas oublier qu'UNE seule commande de bac est nécessaire quelle que soit la configuration. Les fils de rallonge de la commande de bac sont précâblés avec la fiche et déjà enroulés dans le canal de câblage de type X.

7. BRANCHEMENTS ELECTRIQUES

⚠ AVERTISSEMENT

CET APPAREIL DOIT ETRE MIS A LA TERRE

Cette machine à glace doit avoir une mise à la terre qui respecte les réglementations électriques nationales et locales.

Pour éviter tout risque de décharges électriques graves ou de dégâts importants à l'appareil, installer un câble de mise à la terre approprié sur la machine.

Avant toute opération de maintenance, réparation ou nettoyage, débrancher l'alimentation électrique.

- * Cet appareil nécessite une alimentation 220 - 240 V CA 13 A séparée. L'alimentation électrique doit être protégée par un disjoncteur approprié.
- * Les machines à glace empilées doivent toutes être équipées d'un connecteur séparé, mais elles doivent toutes être branchées en parallèle à la même alimentation/au même circuit monophasé(e) offrant une intensité admissible suffisante. En outre, afin d'éviter tout déclenchement intempestif, ne pas utiliser de disjoncteurs individuels pour chaque machine.
- * Le fusible du boîtier de commande principal est étalonné à 5 A et ne doit être remplacé que par un technicien d'entretien qualifié.
- * En général, l'installation nécessite une autorisation pour travaux électriques et les services d'un électricien qualifié.
- * Si le cordon d'alimentation est endommagé, il doit être remplacé par un cordon de rechange disponible auprès des centres de pièces détachées et d'entretien Hoshizaki.
- * Conformément aux exigences de la norme IEC, l'impédance maximale admise du système (Z_{max}) au point d'interface de l'alimentation électrique à connecter à cette machine à glace doit être de $0,23+j0,23$ ohm. S'assurer en concertation avec le fournisseur d'électricité, si nécessaire, que la machine à glace est raccordée uniquement à une alimentation de $0,23+j0,23$ ohm ou moins.

Pour le Royaume-Uni et la République d'Irlande uniquement

- * Les fils du cordon d'alimentation électrique présentent le codage couleur suivant :

Vert et jaune = Terre
Bleu = Neutre
Marron = Sous tension

La couleur des conducteurs du cordon d'alimentation de cet appareil peut ne pas correspondre au marquage couleur des bornes de votre fiche ; dans ce cas, procéder comme suit :

Le fil vert et jaune doit être relié à la borne de la fiche repérée par la lettre E ou par le symbole \perp ou la couleur verte ou verte et jaune. Le conducteur bleu doit être raccordé à la borne portant la lettre N ou de couleur noire. Le conducteur marron doit être raccordé à la borne portant la lettre L ou de couleur rouge.

- * Si la fiche livrée avec la machine ne convient pas aux prises du local d'installation, l'enlever (la couper s'il s'agit d'une fiche moulée) et en monter une autre.

Une fiche non recâblable enlevée doit être jetée. Elle ne peut en aucun cas être réutilisée. L'insertion de ce type de fiche dans une autre prise présente des risques graves de décharges électriques.

- * La fiche non recâblable ne doit jamais être utilisée sans un protège-fusible.

Le numéro de référence du protège-fusible amovible est imprimé sur la fiche. Utiliser cette référence pour toute commande de pièce.

Il est possible de se procurer des protège-fusibles de remplacement auprès des centres de pièces détachées et d'entretien Hoshizaki.

La capacité nominale des fusibles doit être de 13 A ; ils doivent être agréés selon la norme BS 1362.

8. UNITE DE CONDENSEUR A DISTANCE

[a] DEBALLAGE, INSPECTION, PREPARATION

- 1) Déballer et enlever le carton d'emballage, le(s) ruban(s) adhésif(s) et les matériaux d'emballage.
- 2) Déposer le panneau supérieur.
- 3) S'assurer que les conduites de liquide de refroidissement n'entrent pas en contact avec d'autres conduites ou surfaces, et que la pale de ventilateur tourne sans obstacle.
- 4) Les pièces et matériaux recommandés figurant dans la liste ci-dessous sont nécessaires.

Cordon

Cordon triple-fil 17 AWG (1,0 mm²) nécessaire au câblage du moteur de ventilateur entre la machine à glace et l'unité de condenseur (L+N+ $\frac{1}{\text{PE}}$).

Tube en cuivre

Tube en cuivre désoxydé au phosphore. Deux tubes de même diamètre sont nécessaires pour le circuit de liquide de refroidissement. Y inscrire un repère afin de distinguer la conduite de gaz de la conduite de liquide, et éviter toute confusion lors du branchement.

9,52 (D.E.) x 7,93 (D.I.) - Gaz

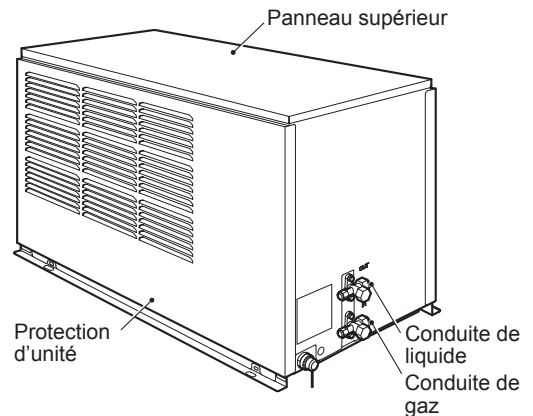
9,52 (D.E.) x 7,93 (D.I.) - Liquide

Isolation de tuyau (pour conduites de gaz et de liquide)

Pour résister à des températures pouvant atteindre 120 °C.

Boulons

Quatre boulons hexagonaux M8 pour fixer l'unité de condenseur.

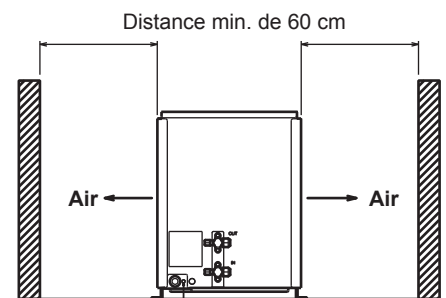


- 5) Ne pas retirer les protections de l'unité avant la fin de l'installation, afin d'éviter tout dommage au niveau du condenseur refroidi par air.

[b] EMBLACEMENT

Le condenseur est destiné à une utilisation extérieure et doit être placé dans un lieu permanent bien ventilé, selon les directives suivantes :

- * Choisir un lieu dont la surface est ferme et plane.
- * Ne doit pas être exposé à des conditions météo difficiles ou adverses.
- * De préférence, dans un endroit sec et bien ventilé avec une distance de 60 cm à l'avant et à l'arrière pour une facilité d'entretien en cas de nécessité.
- * Température ambiante normale du condenseur : +1 °C à +40 °C. Les températures en dehors de cette plage d'exploitation peuvent affecter la capacité de production de la machine à glace.
- * Lorsque l'unité de condenseur est installée sur un toit, il est recommandé d'utiliser une base de 50 cm de hauteur, afin d'éviter la réverbération de la chaleur et les risques de contact avec l'eau.
- * La longueur de conduite maximum est de 10 m. Pour des informations relatives à l'installation de conduites plus longues, contacter le bureau Hoshizaki Service le plus proche. (Voir la notice d'utilisation pour les informations des personnes à contacter.)
- * Le condenseur ne doit pas être installé à plus de 6 m au-dessus de la hauteur de la machine à glace ou à plus de 2 m en dessous.



Remarque : si les directives d'installation recommandées ne sont pas respectées, les performances de la machine à glace risquent d'en souffrir.

FRANCAIS

[c] INSTALLATION

1) Cette unité de condenseur est fournie avec quatre orifices de fixation. Fixer l'unité de condenseur avec quatre boulons.

2) Retirer l'écrou évasé de chacune des soupapes d'accès sur la machine à glace et l'unité de condenseur.

Remarque : Retirer et jeter les chapeaux en cuivre situés sur les écrous évasés.

3) Les deux tuyaux en cuivre (9,52 mm D.E.) à fournir sur le site doivent être isolés séparément. Positionner les écrous évasés sur chaque extrémité de tuyau, et évaser les extrémités de tuyau.

Remarque : Les extrémités de tuyau à évaser ne doivent présenter aucun dommage, aucune fissure ni bavure, et doivent être exemptes de graisse et de déchets.

4) Brancher les tubes de cuivre évasés sur la machine à glace et l'unité de condenseur. Les deux tubes sont de diamètre identique. Par conséquent, y apposer un repère afin de pouvoir distinguer la conduite de gaz de la conduite de liquide et éviter toute confusion lors du branchement. Appliquer du liquide de refroidissement propre de type adéquat sur les surfaces évasées avant de procéder au branchement et au serrage. Soutenir la soupape d'accès avec une clé sur les surfaces planes lors du serrage des écrous.

Remarque : 1. Serrer les écrous évasés à un couple de 38 ± 4 Nm.
2. Vérifier les repères apposés sur les deux extrémités de chaque tuyau en cuivre, afin de garantir un branchement adéquat.
3. Les tuyaux ne doivent pas vibrer. Fixer les tuyaux afin d'éviter toute tension.

5) Retirer les chapeaux des ports du manomètre des soupapes d'accès sur la machine à glace. Drainer les conduites via les ports de manomètre pendant 20 minutes à 0,1 torr maximum. Charger les deux conduites avec du liquide de refroidissement R404A sous forme de vapeur, à une pression de 1 bar. Ajouter de l'azote afin de faire monter la pression à 15 bars. Rechercher d'éventuelles fuites au niveau des joints à l'aide d'un détecteur de fuites ou d'une solution savonneuse.

6) Drainer à nouveau les conduites à 0,1 torr maximum. Charger les conduites de vapeur à 1 - 2 bars avec du liquide de refroidissement R404A. (La charge réelle varie en fonction de la longueur de la conduite.)

Charge de base jusqu'à 10 m : **2000 g**

Charge supplémentaire par mètre supplémentaire : **40 g**

Lorsque la quantité totale de liquide de refroidissement préchargé dans la machine à glace et le condenseur à distance est de 2 000 g, la charge de liquide de refroidissement nécessaire est de :
 $40 \text{ g} \times [\text{longueur de la conduite} - 10] \text{ m}$

Exemple - Si la conduite est longue de 15 m (= distance entre la machine à glace et le condenseur)

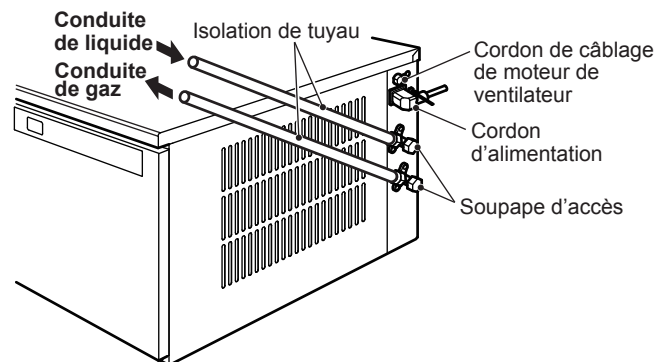
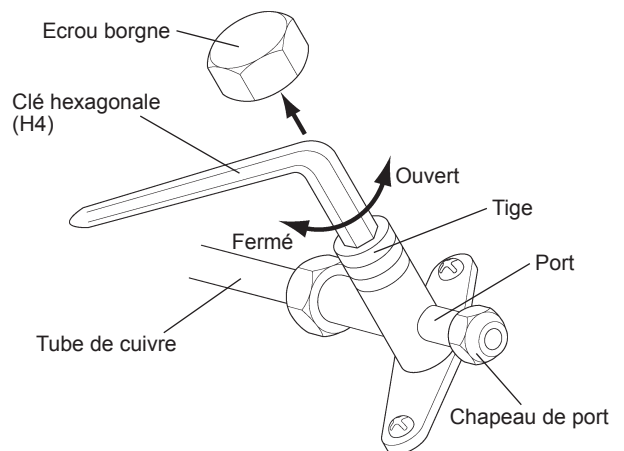
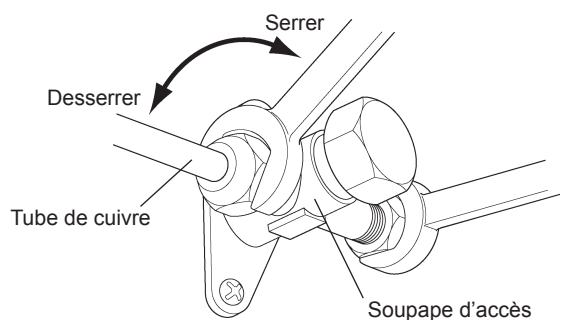
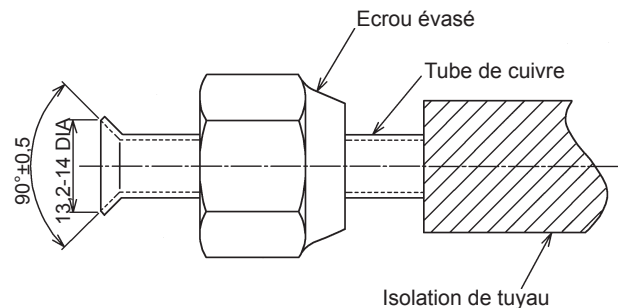
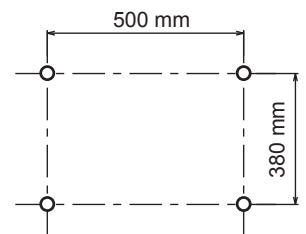
$15 \text{ m} - 10 \text{ m} = 5 \text{ m}$

Charge de base = 2 000 g (jusqu'à 10 m)

Charge supplémentaire = 40 g/m

Charge de liquide de refroidissement nécessaire = $40 \text{ g} \times 5 \text{ m} = 200 \text{ g}$

Une fois le liquide de refroidissement chargé, retirer le cylindre et les conduites de charge. Remettre les chapeaux de port et serrer à un couple de 10 ± 1 Nm.



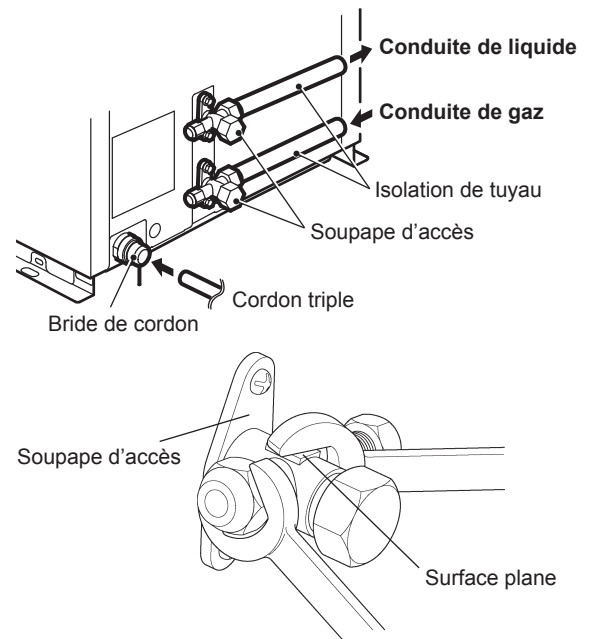
7) Retirer les écrous des chapeaux des soupapes d'accès sur la machine à glace et le condenseur. Ouvrir les soupapes de conduite de liquide et de gaz en tournant la tige avec une clé hexagonale jusqu'à ouverture complète.

8) Resserrer les écrous de chapeau à un couple de 25 ± 3 Nm.

9) Rechercher d'éventuelles fuites de gaz au niveau des écrous de chapeau, des chapeaux de port et des joints évasés à l'aide d'un détecteur ou d'une solution savonneuse.

10) Isoler les joints de sorte qu'ils soient étanches à l'eau.

Remarque : Lorsque l'on retire ou installe les écrous sur les s-oupapes d'accès, maintenir les surfaces planes de la soupape avec une pince.



[d] BRANCHEMENTS ELECTRIQUES

⚠ AVERTISSEMENT

CET APPAREIL DOIT ETRE MIS A LA TERRE

Cette unité de condenseur à distance nécessite une mise à la terre conforme aux normes électriques nationales et locales.

Pour éviter tout risque d'électrocution grave sur les personnes ou de dégâts importants sur le matériel, installer un câble de mise à la terre approprié sur la machine, et s'assurer que le circuit vers le condenseur est continu.

* Brancher le cordon triple du câblage du moteur de ventilateur à l'intérieur du boîtier de raccordement de cette unité de condenseur.

* En général, l'installation nécessite une autorisation pour travaux électriques et les services d'un électricien qualifié.

1) Retirer les protections de l'unité de condenseur à distance.

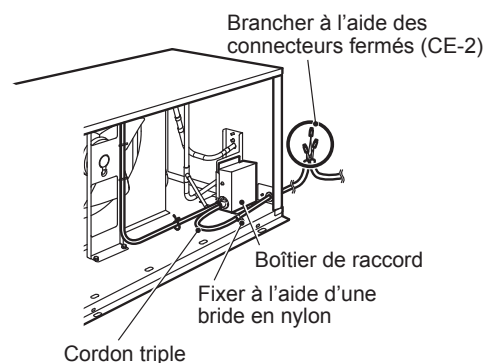
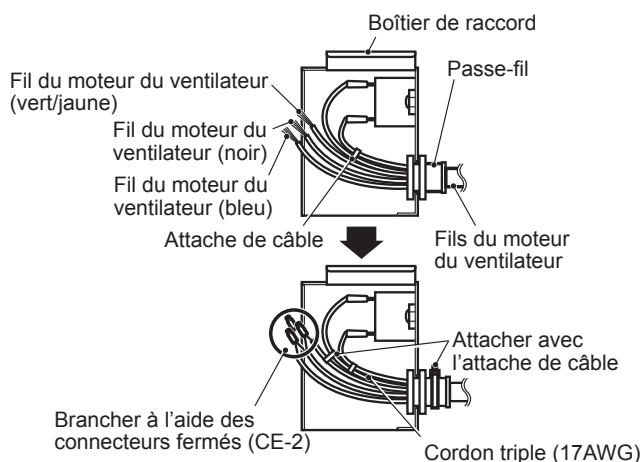
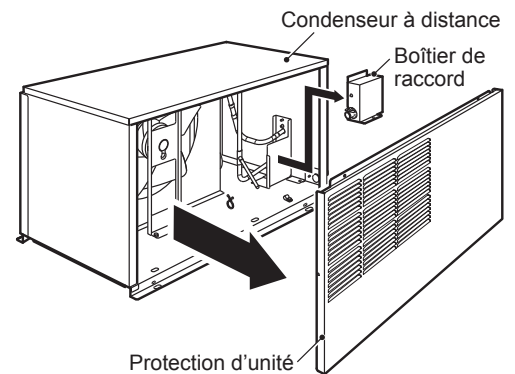
2) Déposer le boîtier de raccordement.

3) Faire passer le cordon triple dans la rondelle.

4) Faire passer le cordon triple dans le passe-fil du boîtier de raccordement. Brancher les fils du moteur du ventilateur et le cordon triple à l'aide des connecteurs fermés et attacher le passe-fil à l'aide d'une attache de câble. Après le branchement, vérifier si les connecteurs fermés sont tournés vers le haut.

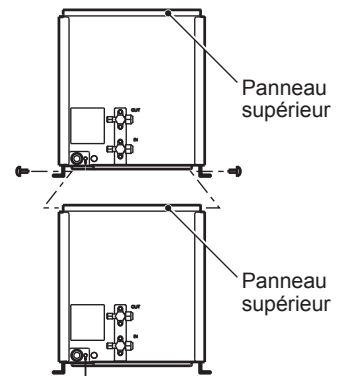
5) Fixer le cordon triple en position à l'aide de la bride de cordon.

6) Fixer les protections de l'unité de condenseur à distance.



[e] EMPILEMENT D'UNITES DE CONDENSEUR

- 1) Fixer l'unité de condenseur inférieure.
- 2) Retirer le panneau supérieur de l'unité de condenseur inférieure. Conserver les quatre vis du panneau supérieur.
- 3) Fixer l'unité de condenseur supérieure au-dessus de l'unité inférieure.
- 4) Fixer l'unité de condenseur supérieure avec les quatre vis du panneau supérieur.
- 5) Installer les conduites de réfrigérant, et effectuer les branchements électriques pour chaque moteur de ventilateur.

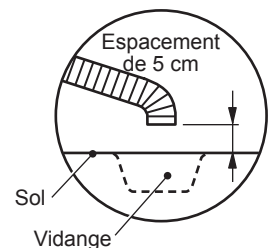


9. BRANCHEMENTS D'ARRIVEE ET DE VIDANGE D'EAU

⚠ AVERTISSEMENT

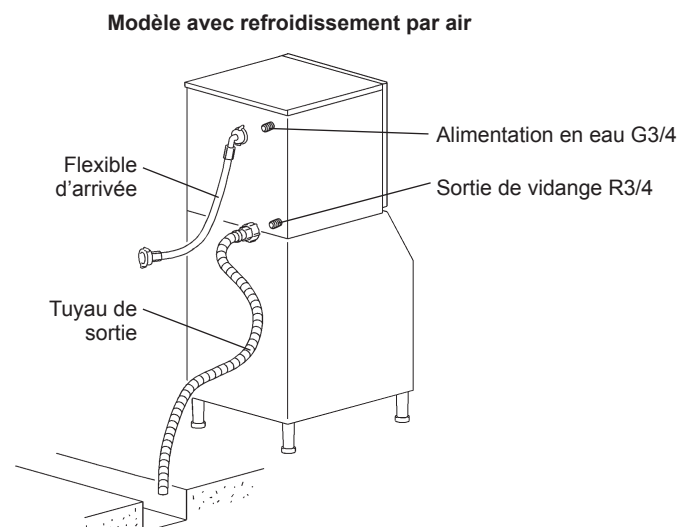
Raccorder à l'arrivée d'eau potable froide uniquement.

- * Les raccordements à l'alimentation en eau du réseau doivent être réalisés conformément aux exigences nationales en vigueur des réglementations sur l'alimentation en eau ou les raccords.
- * L'eau utilisée pour la fabrication de la glace doit être potable. Là où la qualité de l'eau peut entraîner la formation de calcaire :
 - L'installation d'un filtre externe ou d'un adoucisseur est recommandée. Contactez le professionnel du traitement de l'eau ou l'agent de service Hoshizaki local.
 - L'utilisation du mode de rinçage complet du circuit de vidange est recommandée. Contactez l'agent de service Hoshizaki local.
- * La pression de l'alimentation en eau doit être de 0,07 MPa (0,7 bar) au minimum et de 0,8 MPa (8 bar) au maximum. Si la pression dépasse 0,8 MPa (8 bar), utiliser un réducteur de pression approprié. Ne PAS réduire le débit du robinet d'alimentation.
- * Dans certaines régions, il est possible qu'il faille obtenir une autorisation pour effectuer les travaux de plomberie et avoir recours aux services d'un plombier autorisé.
- * La vidange d'eau de la machine à glace s'effectue par gravité : le tuyau de vidange doit donc avoir une inclinaison ou une hauteur de chute suffisantes.
- * Les tuyaux de vidange ne doivent pas être reliés directement à l'égout. L'extrémité des tuyaux de vidange de la machine à glace doit être espacée d'au moins 5 cm à la verticale par rapport au bac de stockage et à l'évacuation de sol.
- * Eviter tout retour d'eau dans le bac de stockage.
- * Sur les modèles avec refroidissement par eau, la pose d'un clapet anti-refoulement peut être nécessaire dans le circuit d'eau de refroidissement.
- * Veiller à utiliser les jeux de tuyaux neufs fournis avec l'appareil. Ne pas réutiliser les anciens jeux de tuyaux.

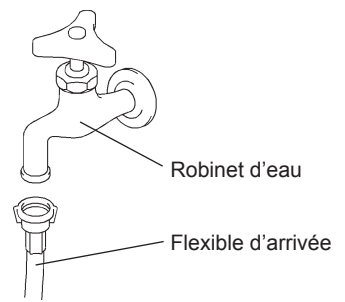


[Modèle avec refroidissement par air]

- 1) Raccorder l'extrémité coudée du tuyau d'arrivée d'eau (accessoire) au raccord G3/4 à l'arrière de la machine à glace comme indiqué en veillant à placer correctement la rondelle d'étanchéité en caoutchouc. Serrer manuellement de manière à obtenir un raccordement étanche.
- 2) Fixer l'autre extrémité du flexible d'arrivée au robinet d'eau, en veillant à ce que la rondelle soit correctement positionnée, avant de serrer manuellement comme ci-dessus. Il est prudent d'avoir un robinet d'arrêt à proximité.
- 3) Serrer à la main le tuyau de vidange gris (accessoire) au raccord R3/4 à l'arrière de la machine à glace comme indiqué en veillant



à placer correctement la rondelle d'étanchéité en caoutchouc pour obtenir un joint étanche. Le tuyau peut être coupé à la longueur voulue en fonction de la position de vidange principale.



[Modèle avec refroidissement par eau]

- * Hoshizaki recommande de raccorder le condenseur refroidi par eau à un système de refroidissement du type à circuit fermé de recyclage comportant une tour, un refroidisseur d'eau ou élément assimilé. L'approvisionnement en eau doit se faire au moyen d'une vanne à boulet/d'un réservoir de barrage.
- * Le raccordement d'un condenseur refroidi par eau à une alimentation en eau secteur (potable) n'affecte pas la performance de la machine mais provoque une utilisation/un gaspillage d'eau important que nous ne recommandons pas.
- * Faire appel à un plombier agréé pour s'assurer que l'installation est correcte.
- * Les branchements doivent être effectués en respectant les réglementations nationales ou locales en vigueur.

[a] Branchements standard conformes aux réglementations du WRAS au Royaume-Uni.

- * En cas de sélection d'une tour de refroidissement, la sélectionner en tenant compte des valeurs crêtes suivantes relatives au flux thermique du condenseur :

Modèle IM-240AW : 5235 W

- * Le diamètre minimal des tuyaux entre la tour de refroidissement et la machine à glace doit être de 20 mm afin de réduire la perte de pression même si les raccords de la machine ont un diamètre de 13 mm.
- * La perte de pression dans le circuit d'eau à l'intérieur de la machine est de 5 à 6 m lorsque le débit de l'eau de refroidissement est de 4 à 5 l/min.
- * Sélectionner une pompe de circulation selon les valeurs de flux thermique indiquées ci-dessus.
- * Ne pas utiliser de pompe en cascade car le régulateur d'eau modifiera le flux et l'arrêtera lors du dégivrage.

[Branchements de la machine à glace]

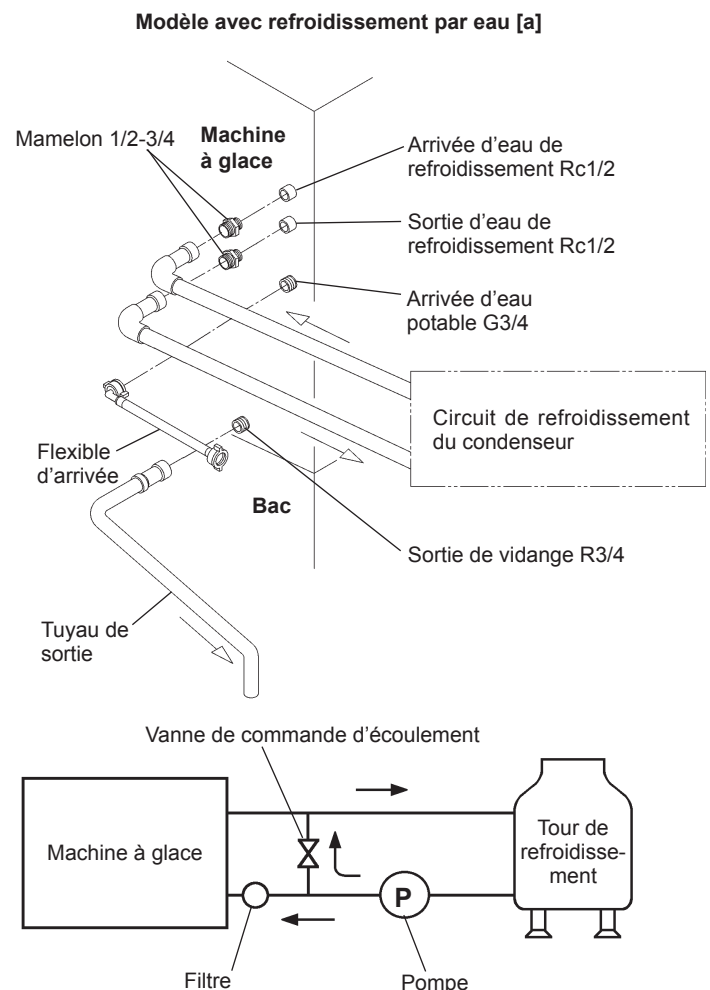
- 1) Raccorder l'extrémité coudée du tuyau d'arrivée d'eau (accessoire) au raccord G3/4 à l'arrière de la machine à glace comme indiqué en veillant à placer correctement la rondelle d'étanchéité en caoutchouc. Serrer manuellement de manière à obtenir un raccordement étanche.
- 2) Fixer l'autre extrémité du flexible d'arrivée au robinet d'eau, en veillant à ce que la rondelle soit correctement positionnée, avant de serrer manuellement comme ci-dessus.

Remarque : En cas de filtrage ou de traitement de l'eau, veiller à ce que seule la section de fabrication de glace soit raccordée à l'alimentation en eau traitée, et non le condenseur.

- 3) Raccorder le tuyau gris de vidange (accessoire) au raccord R3/4 à l'arrière de la machine à glace comme indiqué, en contrôlant le placement correct de la rondelle d'étanchéité en caoutchouc avant de serrer le joint manuellement. Le tuyau peut être coupé à la longueur voulue en fonction de la position de vidange principale.

- 4) A l'aide d'une clé adaptée, serrer les mamelons 1/2-3/4 (accessoire) sur les raccords Rc1/2 à l'arrière de la machine à glace comme indiqué. Utiliser du ruban PTFE et/ou du mastic d'étanchéité adéquat pour former un joint étanche.

Remarque : Les produits d'étanchéité pour joints doivent être approuvés et adaptés à une utilisation avec de l'eau potable.



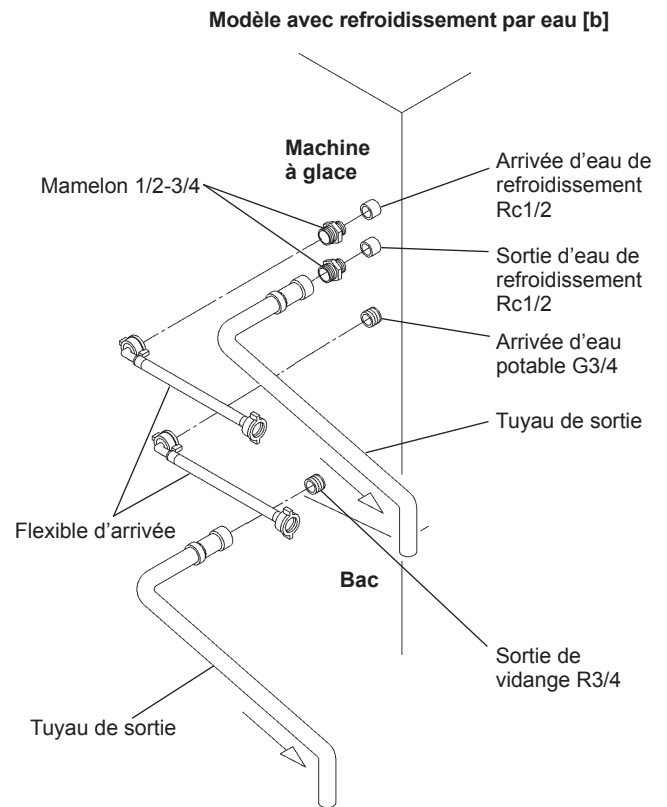
5) Raccorder le circuit de refroidissement du condenseur à l'extrémité libre des mamelons 1/2-3/4 comme indiqué à l'aide d'un tuyau rigide adapté.

[b] Branchements conformes à des réglementations autres que celles du WRAS à l'aide des tuyaux accessoires.

- 1) Suivre les consignes des paragraphes 1) à 4) figurant sous le point [a] ci-dessus.
- 2) Pour les branchements du condenseur, utiliser les tuyaux accessoires livrés et effectuer les mêmes branchements qu'aux paragraphes 1) à 3) du point [a] ci-dessus avec l'extrémité libre des mamelons 1/2-3/4 comme indiqué.

10. PROCEDURE DE MISE EN ROUTE

- 1) Ouvrir le robinet d'eau.
- 2) Brancher l'alimentation électrique et mettre l'appareil sous tension.
- 3) L'écran affiche « on ».
- 4) La séquence de mise en marche normale est la suivante :
 - a) La vanne de gaz chaud s'ouvre.
 - b) Le compresseur démarre après 30 secondes.
 - c) Le bac à eau s'ouvre complètement.
 - d) L'électrovanne d'arrivée d'eau s'ouvre.
 - e) Le bac à eau commence à se fermer (vanne de gaz chaud fermée).
 - f) Le bac à eau est complètement fermé - le moteur de la pompe démarre.
 - g) L'électrovanne d'arrivée d'eau se ferme.



▲ HYGIENE

Vérifier les conditions et la qualité de la production de glace.

Ne pas utiliser la glace produite durant l'essai. Elle pourrait être contaminée par des impuretés se trouvant dans le circuit d'eau. La jeter ou la vider dans le circuit de vidange.

Avant d'utiliser la machine, nettoyer le bac de stockage (voir « III. 1. NETTOYAGE » dans la notice d'utilisation).

11. DERNIERS CONTROLES

- 1) Vérifier la tension d'alimentation.
- 2) Vérifier que la machine à glace est correctement mise à la terre.
- 3) Vérifier que la machine à glace ne présente pas de vibrations.
- 4) Vérifier que tous les panneaux sont bien fixés.
- 5) Vérifier que la machine fonctionne correctement conformément à « 10. PROCEDURE DE MISE EN ROUTE ».
- 6) Vérifier que les connexions d'admission et de vidange d'eau ne présentent pas de fuites.
- 7) Indiquer à l'utilisateur comment utiliser correctement la machine. Donner la notice d'utilisation à l'utilisateur.

WICHTIGE SICHERHEITSHINWEISE

Dieses Handbuch enthält Hinweise, die Sie auf Situationen aufmerksam machen sollen, die Tod, schwere Verletzungen oder Geräteschäden verursachen können.

▲WARNUNG	Kennzeichnet eine gefährliche Situation, die, wenn sie nicht vermieden wird, zum Tod oder zu schweren Verletzungen führen kann.
▲VORSICHT	Kennzeichnet eine gefährliche Situation, die, wenn sie nicht vermieden wird, zu leichten oder mittleren Verletzungen führen kann.
HINWEIS	Kennzeichnet eine gefährliche Situation, die, wenn sie nicht vermieden wird, zu Geräteschäden führen kann.
▲HYGIENE	Kennzeichnet wichtige Maßnahmen für Hygiene und Lebensmittelsicherheit.
WICHTIG	Kennzeichnet wichtige Informationen zu Gebrauch und Pflege des Gerätes.

WICHTIG

Um das Produkt sicher und einwandfrei installieren zu können, sollten Sie vor der Installation diese Broschüre sorgfältig lesen und die darin enthaltenen Anweisungen befolgen.

Schalten Sie nach Abschluss der Installation den Eisbereiter ein und überprüfen Sie ihn auf Unregelmäßigkeiten. Weisen Sie den Benutzer in Gebrauch und Instandhaltung des Eisbereiters entsprechend der Bedienungsanleitung ein.

Diese Broschüre sollte dem Benutzer nach der Installation ausgehändigt und von diesem zusammen mit der Bedienungsanleitung aufbewahrt werden, damit bei Bedarf darin nachgelesen werden kann.

▲WARNUNG

Dies ist ein Eisbereiter für den gewerblichen Einsatz, der ausschließlich für den vorgesehenen Zweck benutzt und mit einem, wie von Hoshizaki angegebenen, geeigneten Vorratsbehälter ausgestattet werden soll.

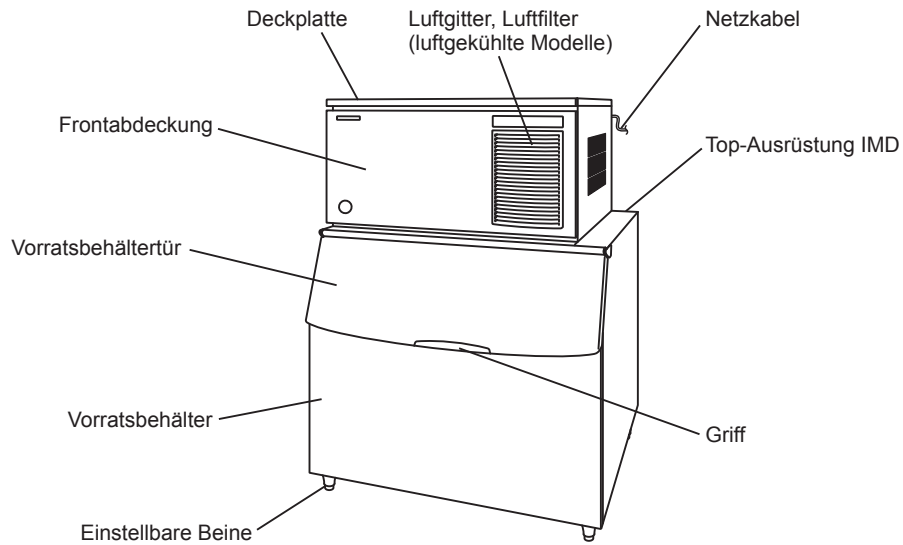
Jede andere Verwendung ist als Zweckentfremdung und somit als gefährlich anzusehen. Der Hersteller übernimmt keine Haftung oder Verantwortung für Schäden, die durch missbräuchliche, falsche oder unangemessene Verwendung verursacht werden.

Installation und erforderliche Standortverlegungen sind von qualifiziertem Personal in Übereinstimmung mit geltenden Vorschriften nach Angaben des Herstellers auszuführen.

Die Lüftungsöffnungen im Gerätegehäuse oder im Innern des Gerätes nicht blockieren.

DEUTSCH

1. KONSTRUKTION



2. ZUBEHÖR

	IM-240DNE(-C)	IM-240DWNE(-C)	IM-240DSNE	IM-240XNE	IM-240XWNE	IM-240XSNE
CD	1	1	1	1	1	1
Zulaufschlauch	1	2	1	1	2	2
Ablaufschlauch	1	2	1	1	2	2
1/2-3/4-Stutzen	-	2	-	-	2	2
Eisschacht	-	-	-	1	1	1
Montagehalterung	2	2	2	-	-	-
Sechskantschraube mit Unterlegscheiben 5 x 12	2	2	2	-	-	-
Schraube 8 x 16	2	2	2	2	2	2
Mutter	2	2	2	2	2	2
Kunststoff-Unterlegscheibe	4	4	4	4	4	4
Sechskantschraube mit Unterlegscheiben 4 x 10	-	-	-	4	4	4
Kunststoffklammer	-	-	-	2	2	2



3. AUSPACKEN

⚠️ WARNUNG

Kinder sollten keinen Zugang zum Verpackungsmaterial (Kunststoffbeutel und Polystyrol) haben, da dieses eine mögliche Gefahrenquelle darstellt.

⚠️ VORSICHT

Den Karton nicht an den Transportbändern anheben oder tragen.

Wenn das Gerät manuell bewegt werden soll, die Platten entfernen und den Geräterahmen festhalten.

Beim Tragen des Gerätes stets Schutzhandschuhe tragen.

Um Verletzungen zu vermeiden, den Karton oder das ausgepackte Gerät immer zu zweit handhaben.

HINWEIS

Versandkarton, Bänder und anderes Verpackungsmaterial entfernen. Wenn Verpackungsmaterial in der Maschine gelassen wird, arbeitet diese nicht richtig.

Hinweis: Dieser Eisbereiter braucht einen Vorratsbehälter. Hoshizaki empfiehlt folgende Eisvorratsbehälter:

B801SA (Top-Ausrüstung IMD)----- IM-240D/IM-480D/IM-720D

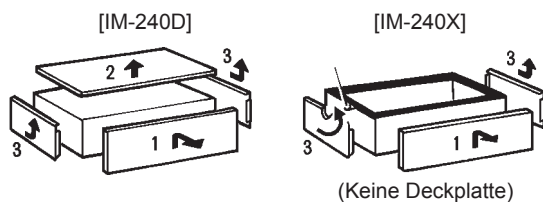
B700SF ----- IM-240D/IM-480D

B800SF (Top-Ausrüstung 4)----- IM-480D/IM-720D

B900SF (Top-Ausrüstung 8)----- IM-480D/IM-720D

1) Nach dem Entfernen der Verpackung ist sicherzustellen, dass Eisbereiter und Vorratsbehälter in gutem Zustand sind. Im Zweifelsfall den Eisbereiter nicht verwenden, sondern qualifiziertes Fachpersonal hinzuziehen. Siehe Anleitungsblatt am Vorratsbehälter für Richtlinien zum Auspacken und zur Installation.

2) Für den Zugang zum Zubehörbausatz und für eine leichtere Installation die Platten des Eisbereiters entfernen.

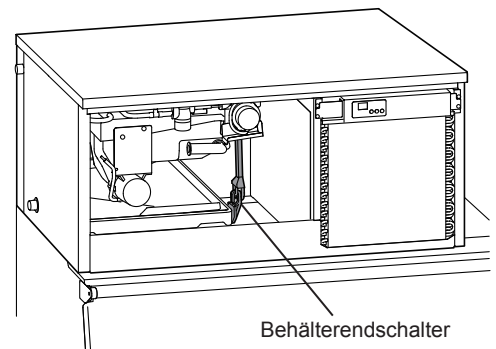


- a) Frontplatte: Die Schraube(n) entfernen. Abheben und nach vorn ziehen.
- b) Deckplatte: Die Schraube(n) entfernen. Einfach abheben.
- c) Seitenplatte: Die Schraube(n) entfernen [nur IM-240X]. Leicht nach vorn schieben und dann abheben.
- d) Rückwand: Muss nicht entfernt werden.

3) Die Packung mit den Zubehörteilen herausnehmen. Den Inhalt anhand von „2. ZUBEHÖR“ kontrollieren.

4) Das Transportsicherungsband des Behälterendschalters entfernen.

5) Die Kunststoff-Folie von der Außenseite entfernen. Wenn der Eisbereiter Sonne oder Wärme ausgesetzt ist, die Folie erst abziehen, nachdem der Eisbereiter abgekühlt ist.



4. AUFSTELLORT

⚠️ WARNUNG

Dieser Eisbereiter eignet sich nicht für den Gebrauch im Freien.

Der Eiswürfelbereiter darf nicht neben Öfen, Grills oder anderen Geräten aufgestellt werden, die Hitze erzeugen.

Dieses Gerät eignet sich nicht für die Aufstellung in Räumen, in denen ggf. ein Wasserstrahl benutzt wird.

⚠️ VORSICHT

Der Aufstellort für den Eisbereiter muss stabil und eben sein.

HINWEIS

Keine Gegenstände auf die Deckplatte oder vor das Luftgitter des Eisbereiters stellen.

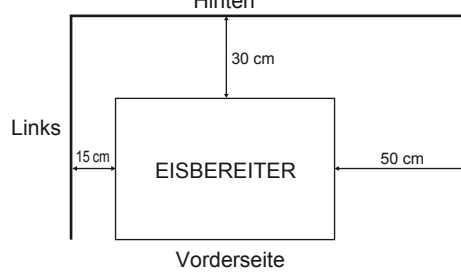
WICHTIG

Für Normalbetrieb muss die Raumtemperatur zwischen 1 °C und 40 °C liegen. Der Wasseranschluss ist nur für kaltes Wasser. Längerer Gebrauch des Eisbereiters bei Temperaturen außerhalb dieser normalen Temperaturgrenzwerte kann die Produktionsleistung beeinträchtigen.

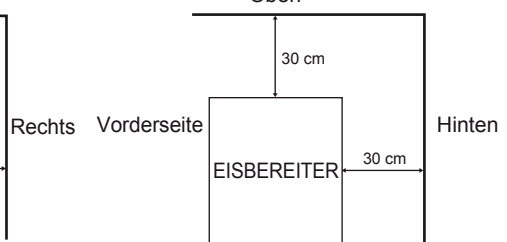
Die unten angegebenen Abstände einhalten, um eine optimale Luftzirkulation zu gewährleisten und die Wartung bzw. Pflege des Gerätes zu erleichtern.

[Luftgekühlte Modelle]

Ansicht von oben



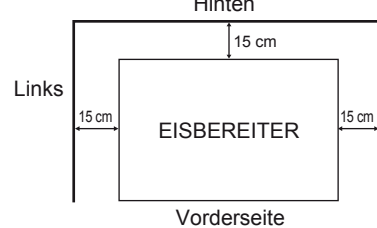
Seitenansicht



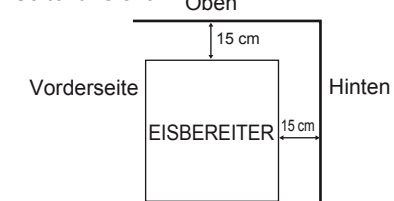
[Wassergekühlte Modelle]

[Extern luftgekühlte Modelle]

Ansicht von oben



Seitenansicht



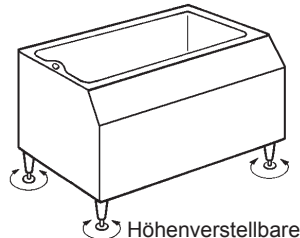
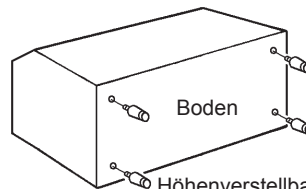
In Umgebungen mit hoher Feuchtigkeit kann sich Kondenswasser im Gerät bilden und auf den Boden tropfen. Das Gerät nicht auf Böden aufstellen, die durch Wasser beschädigt werden können.

5. INSTALLATION

⚠ VORSICHT

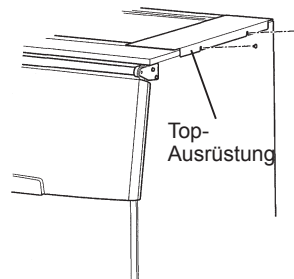
Eine falsche Installation kann zu Verletzungen von Menschen und Tieren oder zu Sachschäden führen, für die der Hersteller nicht haftet.

1) Den Vorratsbehälter vorsichtig auf die Rückseite legen, um Beschädigung zu vermeiden. Die vier verstellbaren Gerätefüße (Vorratsbehälterzubehör) in den vier Gewindebohrungen auf der Unterseite des Vorratsbehälters sichern.



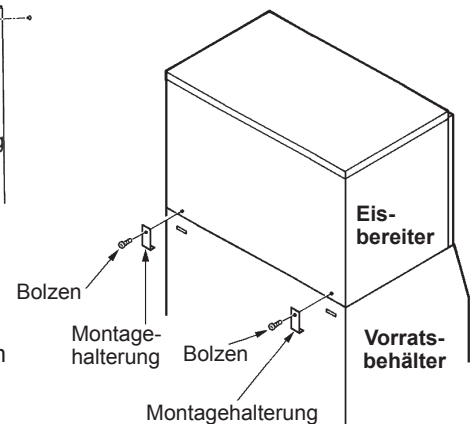
2) Den Vorratsbehälter am ausgesuchten, permanenten Ort aufstellen und von links nach rechts und von vorn nach hinten nivellieren.

3) Zur Installation der Top-Ausrüstung, die Schrauben auf der linken und rechten Seite des Vorratsbehälters verwenden.



4) Die Eisbereiterplatten entfernen. Die Rückwand muss zur Installation nicht abgenommen werden. Siehe „3. AUSPACKEN“.

5) Den Eisbereiter auf die Oberseite des Vorratsbehälters setzen. Darauf achten, dass der Eisbereiterrahmen und der Behälterendschalter nicht beschädigt werden.



6) Den Eisbereiter mit den mitgelieferten Montagehalterungen und Schrauben hinten am Vorratsbehälter befestigen.

7) Die Eisbereiterplatten wieder an der richtigen Position anbringen.

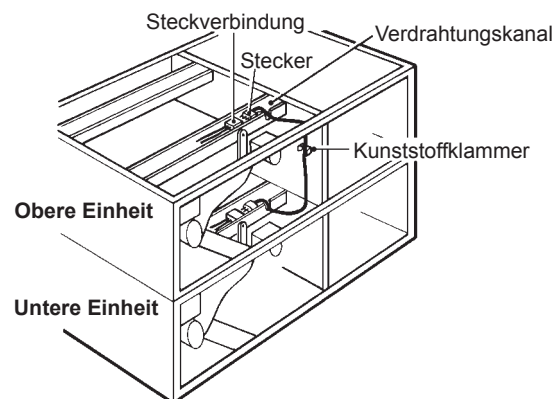
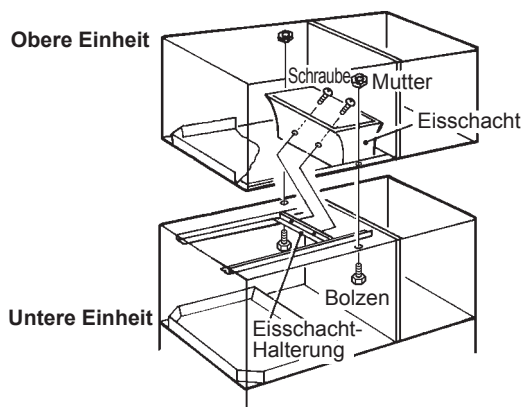
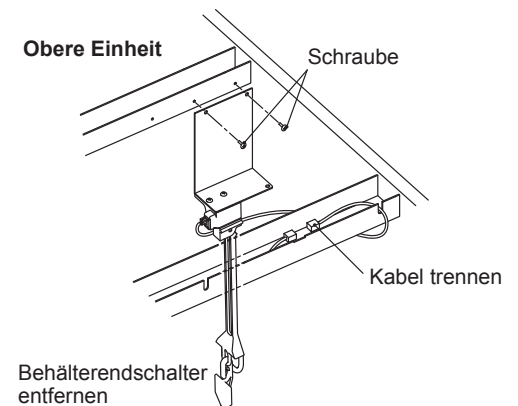
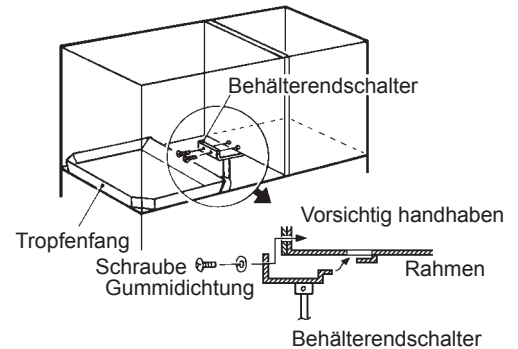
6. STAPELN VON EISBEREITERN

HINWEIS

Die Eisbereitermodelle prüfen. Ein Eisbereiter des Typs D und ein Eisbereiter des Typs X werden zum Stapeln von zwei Eisbereitern benötigt. Ein Eisbereiter des Typs D und zwei Eisbereiter des Typs X werden zum Stapeln von drei Eisbereitern benötigt. Der Eisbereiter des Typs D ist für die obere Einheit und der Typ X für die mittleren und unteren Einheiten konzipiert.

Die Eisbereiter des Typs D bzw. des Typs X sind mit zwei verschiedenen Behälterendschaltern ausgerüstet. Den Behälterendschalter des unteren (und mittleren) X-Typ-Eisbereiters nur verwenden, wenn Eisbereiter gestapelt werden. Der Behälterendschalter muss von der oberen Einheit entfernt werden. Falscher oder gar kein Anschluss kann schwere Beschädigung der Eisbereitereinheiten verursachen, die Ausfall zur Folge hat.

- 1) Den Vorratsbehälter wie in 1), 2) und 3) unter „5. INSTALLATION“ beschrieben, vorbereiten und aufstellen.
- 2) Die Eisbereiterplatten entfernen. Die Rückwand muss zur Installation nicht abgenommen werden. Siehe „3. AUSPACKEN“.
- 3) Die untere Einheit (Typ X) auf der Oberseite des Vorratsbehälters befestigen.
- 4) Die untere Einheit (Typ X) mit den mitgelieferten Montagehalterungen und Schrauben hinten am Vorratsbehälter befestigen.
- 5) Das Klebeband zur Transportsicherung des Behälterendschalters am Tropfenfang entfernen. Den Behälterendschalter am Rahmen, der sich am linken unteren Ende der Verflüssigereinheit befindet, befestigen und mit den zwei mitgelieferten Schrauben und den zugehörigen Unterlegscheiben sichern.
- 6) Vor dem Aufeinanderstapeln die Behälterendschalterkabel (mit Dreiwegestecker) vom oberen oder mittleren Gerät trennen. Die Schrauben und den Behälterendschalter entfernen. Beim Stapeln von zwei oder drei Eisbereitern wird der Schalter für die obere Einheit nicht benötigt. Nach dem Entfernen aufbewahren.
- 7) Die obere oder mittlere Einheit auf der unteren Einheit befestigen.
- 8) Die beiden Einheiten mit den beiden mitgelieferten Schrauben und den zugehörigen Muttern befestigen.
- 9) Den Eisschacht (Zubehör der unteren oder mittleren Einheit) positionieren und mit den beiden Schrauben am Träger sichern.
- 10) Die Kabel (mit Dreiwegestecker), die sich im Verdrahtungskanal der unteren Einheit befinden, an die in Schritt 6) oben getrennte Steckverbindung der oberen Einheit anschließen. Die Kabel mit Hilfe der mitgelieferten Kunststoffklammer sichern.



- 11) Die Eisbereiterplatten wieder an der richtigen Position anbringen.

Hinweis: Werden drei Eisbereiter gestapelt, die Schritte 6) - 11) für die obere Einheit wiederholen. Bitte beachten, dass nur EINE Behältersteuerung, ungeachtet der Konfiguration, benötigt wird. Die Verlängerungskabel der Behältersteuerung sind bereits mit dem Stecker verdrahtet und im X-Typ-Verdrahtungskanal aufgerollt.

7. ELEKTRISCHE ANSCHLÜSSE

⚠️ WARNUNG

DIESES GERÄT MUSS GEERDET WERDEN

Dieser Eisbereiter erfordert einen Schutzkontakt, der nationalen und lokalen Bestimmungen entspricht.

Um schwere Körperverletzungen und Gerätebeschädigungen infolge eines elektrischen Schlages zu vermeiden, ist ein ordnungsgemäßer Erdleiter am Eisbereiter anzubringen.

Die Stromversorgung ausschalten, bevor Wartungs-, Reparatur- oder Reinigungsarbeiten vorgenommen werden.

- * Dieses Gerät benötigt eine separate Stromversorgung mit 220-240 V~, 13 A. Die Stromversorgung muss mit einem geeigneten Leistungsschutzschalter gesichert werden.
- * Gestapelte Eisbereiter sollten jeweils eine separate Steckdose haben, sie müssen jedoch alle parallel im selben Einphasen-Stromkreis mit ausreichender Strombelastbarkeit verbunden sein. Darüber hinaus und um ungewolltes Auslösen zu vermeiden, sollten für die einzelnen Geräte keine eigenen Leistungsschutzschalter verwendet werden.
- * Die Hauptsicherung im Schaltkasten ist für eine Stromstärke von 5 A ausgelegt und darf nur von einer autorisierten Fachkraft ausgewechselt werden.
- * In der Regel wird hierzu ein Elektriker mit entsprechender Qualifikation und Zulassung benötigt.
- * Ist das Netzkabel beschädigt, muss es durch ein vom Hoshizaki-Ersatzteil-/Kundendienst erhältliches Ersatzkabel ersetzt werden.
- * Gemäß IEC-Normen beträgt die höchstzulässige Systemimpedanz (Z_{max}) am Stromversorgungspunkt für den Anschluss des Eisbereiters $0,23+j0,23$ Ohm. Bei Bedarf ist mit dem örtlichen Stromversorger die Einhaltung der Spezifikation von maximal $0,23+j0,23$ Ohm für den Anschluss des Eisbereiters abzuklären.

Nur für das Vereinigte Königreich und die Republik Irland

- * Die Drähte im Netzkabel sind nach dem folgenden Farbcode gekennzeichnet:

Grün & Gelb = Erde

Blau = Nullleiter

Braun = spannungsführender Leiter

Die Farben der Adern im Netzkabel dieses Geräts stimmen möglicherweise nicht mit den Farbmarkierungen in Ihrem Stecker überein, daher bitte immer wie folgt verfahren:

Der grün-gelbe Leiter ist an die Klemme anzuschließen, die mit dem Buchstaben E oder dem Symbol \perp bzw. grün oder gelb-grün markiert ist. Die blaue Ader ist an die Klemme anzuschließen, die mit dem Buchstaben N oder schwarz markiert ist. Die braune Ader ist an die Klemme anzuschließen, die mit dem Buchstaben L oder rot markiert ist.

- * Falls der mit dem Gerät gelieferte Stecker für die Netzsteckdose am Installationsort ungeeignet ist, muss er entfernt (bzw. wenn er verkapselt ist, abgeschnitten) und durch einen passenden Stecker ersetzt werden.

Ein abgeschnittener, verkapselter (nicht zugänglicher Stecker) muss entsorgt werden. Versuchen Sie nicht, ihn wiederzuverwenden. Durch die Verwendung eines solchen Steckers in einer anderen Steckdose besteht die Gefahr eines elektrischen Schlags.

- * Der verkapselte Stecker ist nie ohne angebrachte Sicherungsabdeckung zu verwenden.

Der richtige Ersatz für die abnehmbare Sicherungsabdeckung lässt sich anhand der Hersteller-Referenznummer ermitteln, die auf den Stecker gestanz ist.

Ersatzabdeckungen für Sicherungen sind von Hoshizaki-Ersatzteil-/Service-Zentren erhältlich.

Es sind 13-A-Sicherungen zu verwenden, die die Norm BS 1362 erfüllen.

8. EXTERNE VERFLÜSSIGEREINHEIT

[a] AUSPACKEN, PRÜFEN, VORBEREITEN

- 1) Auspacken und den Versandkarton, Klebeband und Verpackungsmaterialien entfernen.

2) Deckplatte abnehmen.

3) Überprüfen, dass die Kältemittelleitungen keine Leitungen berühren oder sich daran reiben oder andere Oberflächen berühren und sich der Ventilatorflügel frei drehen kann.

4) Die untenstehenden, empfohlenen Teile und Materialien werden benötigt.

Kabel

Ein dreiadriges Kabel, 17 AWG (1,0 mm²), wird für die Verdrahtung des Ventilatormotors zwischen dem Eisbereiter und der Verflüssigereinheit benötigt (L+N+ $\frac{1}{\text{PE}}$).

Kupferrohr

Phosphordeoxidiertes Kupferrohr. Zwei Rohre desselben Durchmessers werden für die Kältemittelleitungen benötigt. Die Rohre zwecks Unterscheidung zwischen der Gasleitung und der Flüssigkeitsleitung markieren, um späteres falsches Anschließen zu verhindern.

9,52 (AD) x 7,93 (ID) - Gas

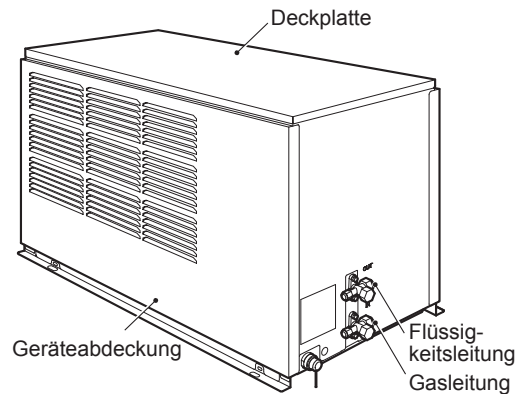
9,52 (AD) x 7,93 (ID) - Flüssigkeit

Rohrisolierung (für Gas- und Flüssigkeitsrohre)

Ausgelegt für Temperaturen bis zu 120 °C.

Bolzen

Vier M8-Sechskantbolzen zum Sichern der Verflüssigereinheit.



5) Die Abdeckungen der Einheit nicht vor Beendigung der Installation entfernen, um eine Beschädigung des luftgekühlten Verflüssigers zu vermeiden.

[b] STANDORT

Der Verflüssiger ist für die Verwendung im Freien vorgesehen und muss an einem gut belüfteten Dauerstandort nach folgenden Richtlinien aufgestellt werden.

* Einen stabilen und flachen Platz wählen.

* Keine rauen oder ungünstigen Wetterbedingungen.

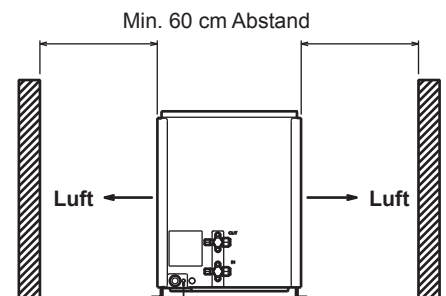
* Vorzugsweise Aufstellung in einem trockenen, gut belüfteten Bereich mit 60 cm Abstand an der Vorder- und Rückseite, um leichtere Wartung und Reparatur zu ermöglichen.

* Normale Verflüssigerumgebungstemperatur: +1 °C bis +40 °C. Temperaturen außerhalb dieses Bereichs können die Produktionskapazität des Eisbereiters beeinträchtigen.

* Wird die Verflüssigereinheit auf einem Dach installiert, so wird ein 50 cm hoher Sockel empfohlen, um Wärmereflexion zu verhindern und um zu vermeiden, dass die Einheit möglicherweise in Wasser steht.

* Die maximale Leitungslänge beträgt 10 m. Weitere Informationen zur Installation mit längerer Leitung erhalten Sie beim nächsten Hoshizaki-Kundendienst. (Kontaktaten, siehe Bedienungsanleitung.)

* Den Verflüssiger nicht mehr als 6 m über der Höhe des Eisbereiters oder nicht mehr als 2 m unter ihm installieren.

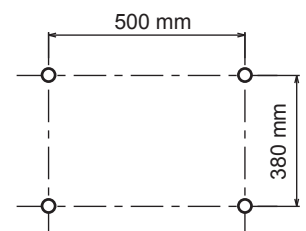


Hinweis: Bei Überschreiten der empfohlenen Installationsrichtlinien kann sich die Leistung des Eisbereiters verringern.

[c] INSTALLATION

1) Diese Verflüssigereinheit wird mit vier Montagebohrungen geliefert. Die Verflüssigereinheit mit vier Schrauben sichern.

2) Die Kegelmutter von jedem der Zugangsventile am Eisbereiter und an der Verflüssigereinheit entfernen.

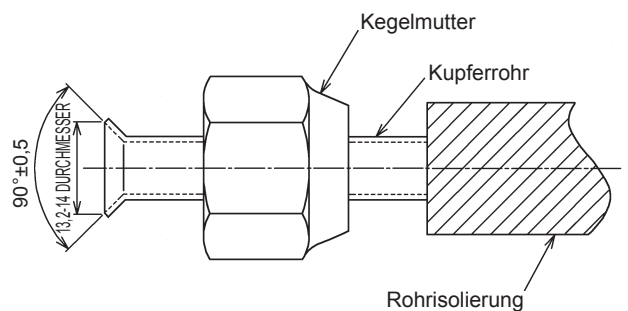


Hinweis: Die Kupferkappen an den Kegelmuttern entfernen und entsorgen.

DEUTSCH

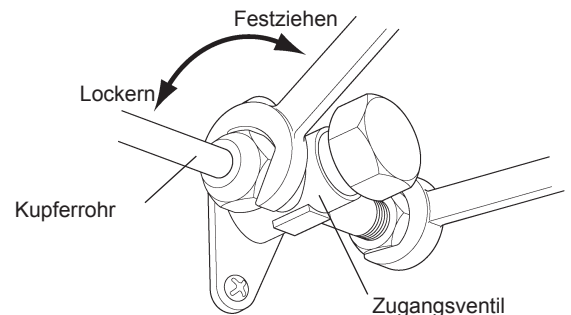
3) Die beiden am Aufstellungsort bereitzustellenden Kupferrohre (9,52 mm AD) müssen separat isoliert werden. Die Kegelmuttern auf jedes Ende der Rohre setzen und die Rohrenden bördeln.

Hinweis: Die zu bördelnden Rohrenden dürfen keine Beschädigungen, Risse und Grate haben und müssen frei von Fett oder Abfällen sein.



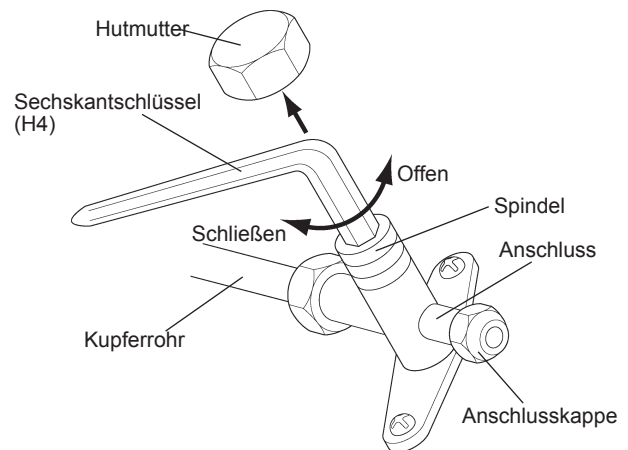
4) Die gebördelten Kupferrohre an den Eisbereiter und an die Verflüssigereinheit anschließen. Da die beiden Rohre denselben Durchmesser haben, die Rohre zur Unterscheidung zwischen der Gasleitung und der Flüssigkeitsleitung markieren, um einen späteren falschen Anschluss zu verhindern. Vor dem Anschließen und Festziehen etwas sauberes Kältemittelöl einer geeigneten Sorte auf die Bördeloberflächen auftragen. Beim Festziehen der Mutter das Zugangsventil an den Abflachungen mit einem Schraubenschlüssel festhalten.

Hinweis: 1. Die Kegelmuttern auf ein Anzugsmoment von 38 ± 4 Nm festziehen.
2. Die Markierungen an beiden Enden der Kupferrohre prüfen, um sicherzustellen, dass die Anschlüsse richtig sind.
3. Die Rohre dürfen nicht vibrieren. Die Rohre fixieren oder sichern, um Beanspruchung zu verhindern.



5) Die Service-Messanschlusskappen von den Zugangsventilen am Eisbereiter entfernen. Die Leitungen durch die Messanschlüsse für 20 Minuten bei max. 0,1 Torr evakuieren. Beide Leitungen mit dampfförmigem Kältemittel R404A auf einen Druck von 1 bar befüllen. Stickstoff hinzufügen, um den Druck auf 15 bar zu erhöhen. Die Verbindungen gründlich mit einem Leckprüfgerät oder Seifenschaum auf etwaige undichte Stellen prüfen.

6) Die Leitungen erneut bei max. 0,1 Torr evakuieren. Die Leitungen auf 1 - 2 bar mit dampfförmigem Kältemittel R404A füllen. (Die tatsächliche Füllmenge wird von der Rohrlänge abhängen.)



Basisfüllung bis zu 10 m: **2.000 g**
Zusätzliche Füllung für jeden weiteren Meter: **40 g**

Da die gesamte vorgefüllte Kältemittelmenge im Eisbereiter und im externen Verflüssiger 2.000 g beträgt, wird sich eine erforderliche Füllmenge ergeben:
 $40 \text{ g} \times [\text{Rohrlänge} - 10] \text{ m}$

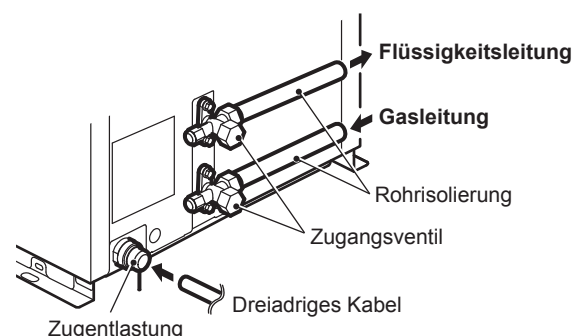
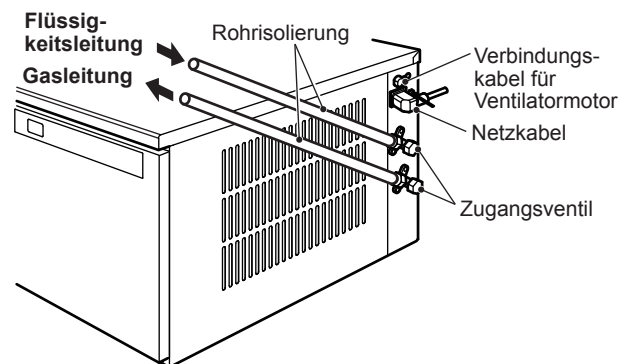
Beispiel - Wenn die Rohrlänge 15 m beträgt (d. h. Entfernung zwischen Eisbereiter und Verflüssiger)

$15 \text{ m} - 10 \text{ m} = 5 \text{ m}$
Basisfüllung = 2.000 g (bis zu 10 m Rohrlänge)
Zusätzliche Füllung = 40 g/m
Erforderliche Kältemittelfüllung = $40 \text{ g} \times 5 \text{ m} = \mathbf{200 \text{ g}}$

Den Füllzylinder und die Füllleitungen nach Beendigung der Kältemittelfüllung entfernen. Die Messanschlusskappen wieder anbringen und auf ein Anzugsmoment von 10 ± 1 Nm festziehen.

7) Die Kapselmuttern von den Zugangsventilen an Verflüssiger und Eisbereiter entfernen. Die Flüssigkeits- und Gasleitungsventile durch Drehen der Spindel mit einem Sechskantschlüssel bis in die voll geöffnete Position öffnen.

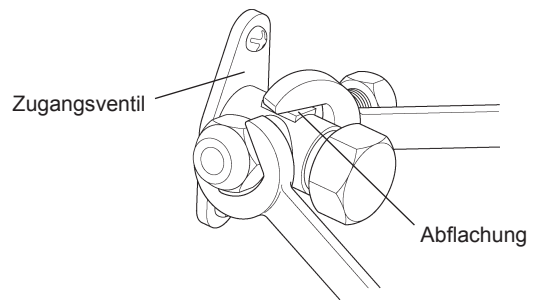
8) Die Kapselmuttern wieder anbringen und auf ein Anzugsmoment von 25 ± 3 Nm festziehen.



9) Die Kapselmuttern, Anschlusskappen und Bördelverbindungen mit einem Lecksuchgerät oder Seifenschaum auf Gaslecks prüfen.

10) Die Verbindungen isolieren und wasserdicht versiegeln.

Hinweis: Beim Aus- oder Einbauen der Muttern an den Zugangsventilen das Ventil an den Abflachungen mit einem Schraubenschlüssel festhalten.



[d] ELEKTRISCHER ANSCHLUSS

⚠ WARNUNG

DIESES GERÄT MUSS GEERDET WERDEN

Für diese externe Verflüssigereinheit ist gemäß nationalen und lokalen Bestimmungen eine Erdung erforderlich.

Um schwere Körperverletzungen und Geräteschäden infolge von elektrischen Schlägen zu vermeiden, einen ordnungsgemäßen Schutzleiter am Eisbereiter installieren und eine unterbrechungsfreie Verbindung zum Verflüssiger sicherstellen.

* Das dreiadrige Kabel für den Ventilatormotor im Anschlusskasten dieser Verflüssigereinheit anschließen.

* In der Regel wird hierzu ein Elektriker mit entsprechender Qualifikation und Zulassung benötigt.

1) Die Geräteabdeckung des externen Verflüssigers entfernen.

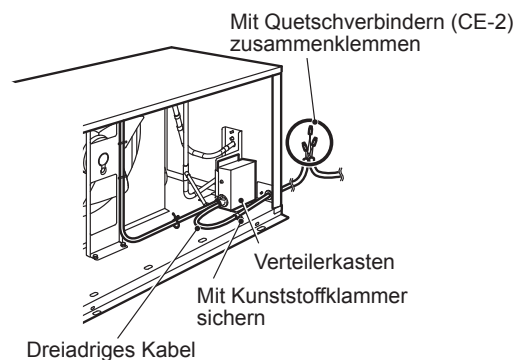
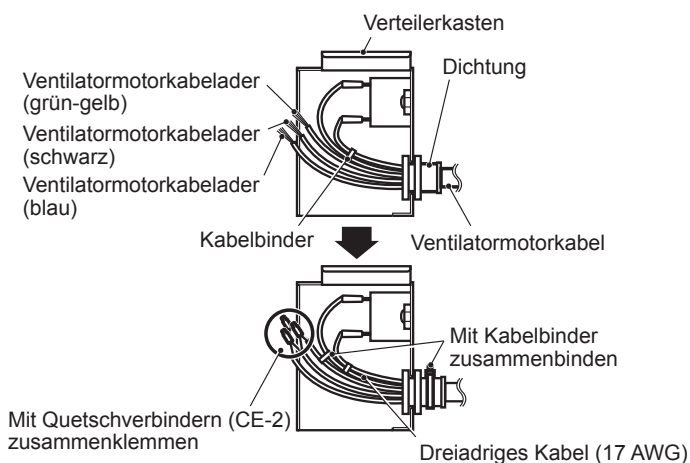
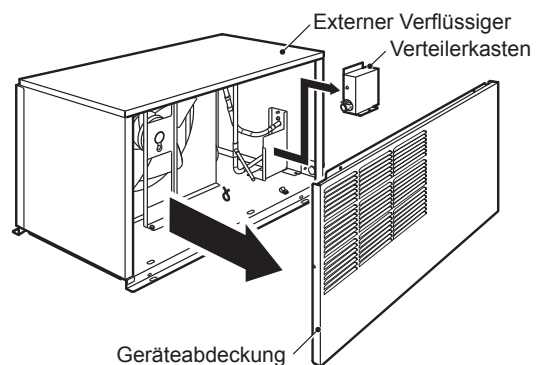
2) Anschlusskasten entfernen.

3) Das dreiadrige Kabel durch die Kabeleinführung führen.

4) Das dreiadrige Kabel durch die Kabeltülle des Anschlusskastens führen. Die Adern des Ventilatormotorkabels und das dreiadrige Kabel mit Quetschverbindern zusammenklemmen und die Kabeltülle mit einem Kabelbinder sichern. Nach dem Anschluss prüfen, dass die Quetschverbinder nach oben gerichtet sind.

5) Das dreiadrige Kabel mit der Zugentlastung sichern.

6) Die Geräteabdeckung des externen Verflüssigers wieder anbringen.

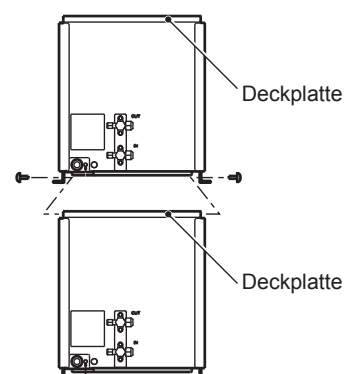


[e] STAPELN VON VERFLÜSSIGEREINHEITEN

1) Die untere Verflüssigereinheit sichern.

2) Die Deckplatte der unteren Verflüssigereinheit entfernen. Die vier Schrauben der Deckplatte aufbewahren.

3) Die obere Verflüssigereinheit auf die untere setzen.



4) Die obere Verflüssigereinheit mit den vier Schrauben für die Deckplatte befestigen.

5) Die Kältemittelleitungen installieren und die elektrischen Anschlüsse für jeden Ventilatormotor herstellen.

9. WASSERZULAUF- UND WASSERABLAUFANSCHLÜSSE

⚠️ WARNUNG

Nur an die kalte Trinkwasserversorgung anschließen.

* Die Anschlüsse an die Hauptwasserversorgung müssen entsprechend den Anforderungen der aktuellen Wasserversorgungs- oder Wasseranschlussbestimmungen ausgeführt werden.

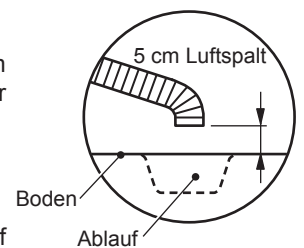
* Wasser für die Eisbereitung muss Trinkwasser sein. Wo Ablagerungen aufgrund der Wasserqualität entstehen können:
 - Es wird die Installation eines externen Filters oder Weichmachers empfohlen. Wenden Sie sich an Ihren örtlichen Wasseraufbereitungsspezialisten oder an den Hoshizaki-Kundendienst.
 - Es wird der Wechsel zum Modus „volle Ablaufspülung“ empfohlen. Wenden Sie sich an Ihren Hoshizaki-Kundendienst.

* Der Druck in der Wasserzufuhrleitung muss mindestens 0,07 MPa (0,7 bar) und darf höchstens 0,8 MPa (8 bar) betragen. Bei einem höheren Druck als 0,8 MPa (8 bar) ist ein geeignetes Druckreduzierventil zu verwenden. Der Wasserzulauf am Hahn selbst darf NICHT gedrosselt werden.

* In bestimmten Gebieten sind eine Installationsgenehmigung und der Anschluss durch einen zugelassenen Installateur erforderlich.

* Der Abfluss des Wassers aus dem Eisbereiter erfolgt durch Schwerkraft, daher ist auf ein ausreichendes Gefälle des Ablaufschlauchs zu achten.

* Die Verrohrung von Ablaufleitungen sollte nicht direkt in das Abwassersystem führen. Vom Ablaufschlauchende des Eisbereiters und des Vorratsbehälters sollte mindestens ein 5 cm hoher vertikaler Luftspalt zum Bodenablauf verbleiben.



* Rücklauf in den Vorratsbehälter verhindern.

* Bei wassergekühlten Modellen muss möglicherweise ein Rücklaufschutz im Kühlwasserkreislauf eingebaut werden.

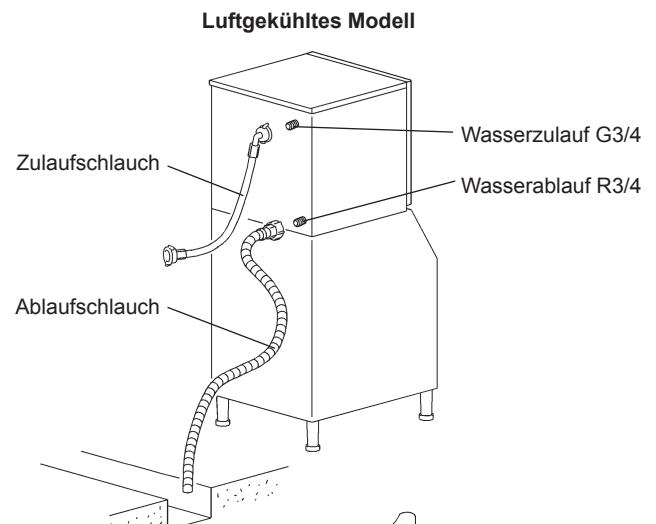
* Immer die mit dem Gerät gelieferte neue Schlauchgarnitur verwenden. Keine alten Schlauchgarnituren wiederverwenden.

[Luftgekühltes Modell]

1) Abgewinkeltes Ende des flexiblen Zulaufschlauches (Zubehör) auf den G3/4-Anschluss an der Rückseite des Eisbereiters schrauben. Dabei darauf achten, dass die Gummidichtung richtig liegt. Mit der Hand so anziehen, dass die Verbindung dicht ist.

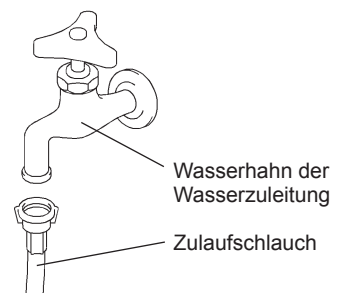
2) Das andere Ende des Zulaufschlauches an den Wasserhahn schrauben, dabei wie oben darauf achten, dass die Gummidichtung richtig liegt, und mit der Hand festziehen. Vorsichtshalber sollte das Absperrventil in Reichweite sein.

3) Den grauen, flexiblen Ablaufschlauch (Zubehör) mit der Hand auf den R3/4-Anschluss auf der Rückseite des Eisbereiters festschrauben (siehe Abbildung). Dabei darauf achten, dass die Gummidichtung richtig liegt, damit die Verbindung dicht ist. Das Rohr lässt sich auf die richtige Länge, d. h. der Position des Hauptabflusses entsprechend, zuschneiden.



[Wassergekühltes Modell]

* Hoshizaki empfiehlt, einen wassergekühlten Verflüssiger an ein Kühlsystem mit geschlossenem Kreislauf anzuschließen, das einen Kühlturm oder Wasserkühler o. ä. verwendet. Das Auffüllen mit Wasser sollte über ein Kugelventil-/Unterbrecher-Tanksystem reguliert werden.



* Obgleich das Anschließen eines wassergekühlten Verflüssigers an eine Trinkwasserversorgungsleitung die Leistung des Eisbereiters nicht beeinträchtigt, wird es auf alle Fälle eine(n) hohe(n) Verbrauch/Verschwendung einer wertvollen Ressource bewirken und wird daher nicht empfohlen.

* Um eine sachgerechte Installation zu gewährleisten, sollten die Dienste eines zugelassenen Installateurs in Anspruch genommen werden.

* Die Anschlüsse haben den geltenden nationalen oder lokalen Vorschriften zu entsprechen.

[a] Standardanschlüsse entsprechend der WRAS-Bestimmungen in Großbritannien.

* Bei der Auswahl eines Kühlturms muss auf folgende Spitzenwerte für den Wärmefluss im Verflüssiger geachtet werden:

Modell IM-240AW: 5235 W

* Rohre zwischen dem Kühlturm und dem Eisbereiter müssen mindestens 20 mm Durchmesser haben, um Druckverlust zu verringern, auch wenn die Anschlüsse des Eisbereiters nur 13 mm im Durchmesser sind.

* Der Druckverlust im Wasserkreislauf im Innern der Einheit wird 5 bis 6 m betragen, wenn das Kühlwasser mit 4 bis 5 l/min umläuft.

* Eine Umwälzpumpe wählen, die zu den obigen Werten des Wärmeflusses passt.

* Keine Kaskadenpumpe verwenden, da der Wasserregler dann den Fluss verändert und ihn während des Abtauzyklus stoppt.

[Anschlüsse des Eisbereiters]

1) Abgewinkeltes Ende des flexiblen Zulaufschlauches (Zubehör) auf den G3/4-Anschluss an der Rückseite des Eisbereiters schrauben. Dabei darauf achten, dass die Gummidichtung richtig liegt. Mit der Hand so anziehen, dass die Verbindung dicht ist.

2) Das andere Ende des Zulaufschlauches an den Wasserhahn schrauben, dabei wie oben darauf achten, dass die Gummidichtung richtig liegt, und mit der Hand festziehen.

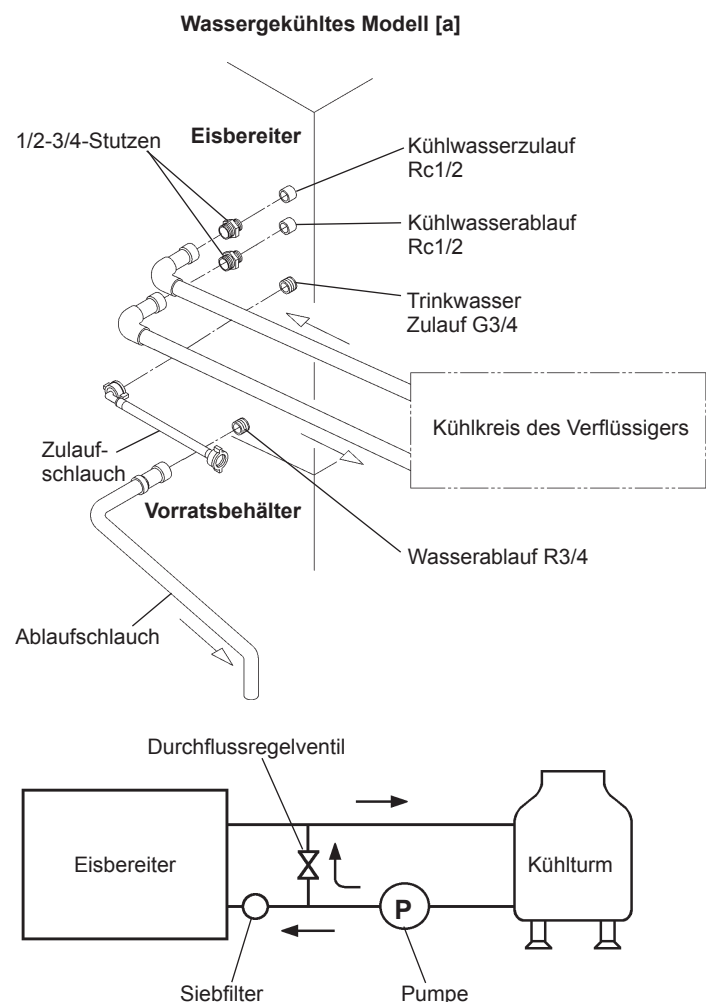
Hinweis: Falls eine Filtrierung oder Aufbereitung benutzt wird, müssen Sie sicherstellen, dass nur der Eisbereiterabschnitt an die aufbereitete Wasserzufuhr angeschlossen ist, nicht der Kondensator.

3) Den grauen, flexiblen Ablaufschlauch (Zubehör) wie gezeigt an den R3/4-Anschluss auf der Rückseite des Eisbereiters festschrauben. Dabei wieder darauf achten, dass die Gummidichtung richtig sitzt und dann die Verbindung von Hand festschrauben. Das Rohr lässt sich auf die richtige Länge, d. h. der Position des Hauptabflusses entsprechend, zuschneiden.

4) Mit einem geeigneten Schlüssel oder Schraubenschlüssel die 1/2-3/4-Stutzen (Zubehör) in die Rc1/2-Anschlüsse auf der Rückseite des Eisbereiters einschrauben (siehe Abbildung). PTFE-Band und/oder ein geeignetes Dichtmittel verwenden, um eine dichte Verbindung zu erhalten.

Hinweis: Dichtmittel müssen für den Gebrauch mit Trinkwasser zugelassen und geeignet sein.

5) Mit einem geeigneten starren Rohr den Kühlkreislauf des Verflüssigers mit dem freien Ende der 1/2-3/4-Stutzen verbinden.



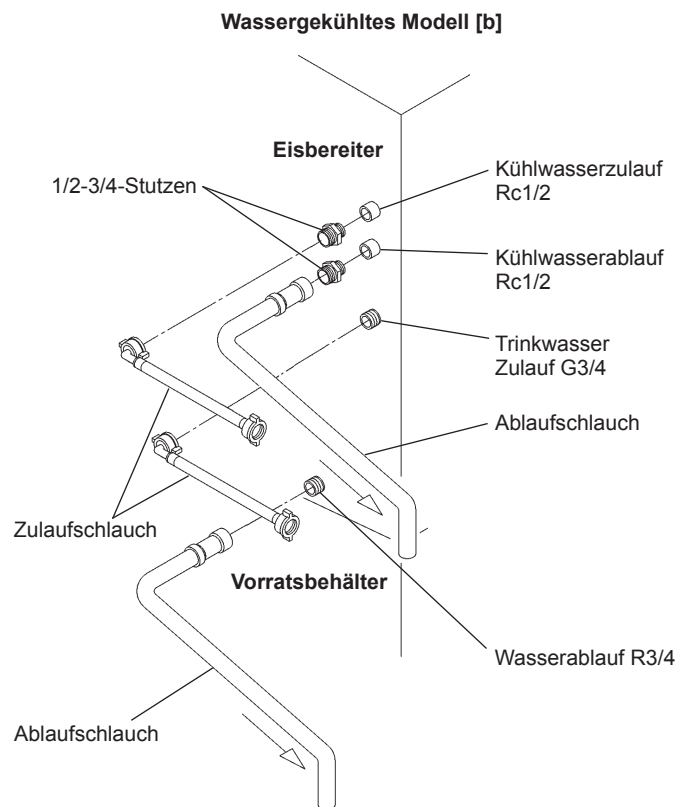
DEUTSCH

[b] Anschlüsse entsprechend anderer als der WRAS-Bestimmungen unter Verwendung von Zubehörschläuchen

- 1) Den obigen Anweisungen 1) bis 4) unter [a] folgen.
- 2) Zum Anschluss des Verflüssigers die mitgelieferten Zubehörschläuche verwenden. Die gleichen Verbindungen wie oben in 1) bis 3) unter [a] an den freien Enden der 1/2-3/4-Stutzen herstellen.

10. START-VERFAHREN

- 1) Wasserhahn aufdrehen.
- 2) Gerät mit dem Netz verbinden und einschalten.
- 3) Das Display zeigt „on“.
- 4) Nun sollte folgende Sequenz ablaufen:
 - a) Heißgasventil öffnet.
 - b) Kompressor startet nach 30 Sekunden.
 - c) Wasserschale öffnet vollständig.
 - d) Magnetventil für Wasser öffnet.
 - e) Wasserschale beginnt, sich zu schließen (Heißgasventil geschlossen).
 - f) Wasserschale ganz geschlossen - Pumpenmotor startet.
 - g) Magnetventil für Wasser schließt.



▲HYGIENE

Prüfen Sie die Bedingungen und die Qualität der Eisherstellung.

Das Eis aus dem Testlauf nicht verwenden. Es könnte durch Fremdstoffe im Wasserkreislauf kontaminiert sein. Das Eis wegwerfen oder den Abfluss hinunterspülen.

Vorratsbehälter vor der Verwendung reinigen (siehe „III. 1. REINIGEN“ in der Betriebsanleitung).

11. ABSCHLUSSTESTS

- 1) Auf richtige Versorgungsspannung prüfen.
- 2) Prüfen, dass der Eisbereiter ordnungsgemäß geerdet ist.
- 3) Prüfen, dass der Eisbereiter nicht vibriert.
- 4) Prüfen, dass alle Abdeckplatten fest und sicher sitzen.
- 5) Auf einwandfreien Betrieb prüfen, entsprechend „10. START-VERFAHREN“.
- 6) Wasserzulauf- und Wasserablaufanschlüsse auf Undichtigkeit prüfen.
- 7) Den Benutzer in den richtigen Gebrauch des Gerätes einweisen. Dem Benutzer die Bedienungsanleitung aushändigen.

BELANGRIJKE VEILIGHEIDSINFORMATIE

Overal in deze handleiding treft u opmerkingen aan die uw aandacht willen vestigen op situaties die zouden kunnen resulteren in overlijden, ernstig letsel of schade aan de machine.

▲WAARSCHUWING	Geeft een gevaarlijke situatie aan die, als deze niet wordt vermeden, zou kunnen resulteren in overlijden of ernstig letsel.
▲VOORZICHTIG	Geeft een gevaarlijke situatie aan die, als deze niet wordt vermeden, zou kunnen resulteren in licht of middelzwaar letsel.
LET OP	Geeft een gevaarlijke situatie aan die, als deze niet wordt vermeden, zou kunnen resulteren in schade aan de machine.
▲HYGIËNE	Geeft belangrijke voorzorgsmaatregelen aan met betrekking tot de hygiëne en voedselveiligheid.
BELANGRIJK	Geeft belangrijke informatie aan over het gebruik en de verzorging van de machine.

BELANGRIJK

Lees dit boekje zorgvuldig door vóór de installatie en volg de opgenomen instructies nauwgezet op om een veilige en correcte installatie van het product te waarborgen.

Start, nadat de installatie is voltooid, de ijsmachine op om te controleren op afwijkingen. Geef de gebruiker instructies voor het gebruik en onderhoud van de ijsmachine in overeenstemming met de instructiehandleiding.

Dit boekje moet na de installatie aan de gebruiker worden overhandigd, die het bij de gebruiksaanwijzing moet bewaren voor eventueel toekomstig gebruik.

▲WAARSCHUWING

Dit is een ijsmachine voor commerciële doeleinden en dit apparaat dient uitsluitend te worden gebruikt voor de toepassingen waarvoor het is ontworpen en te worden bevestigd aan een geschikte opslagbunker zoals dit door Hoshizaki is opgegeven.

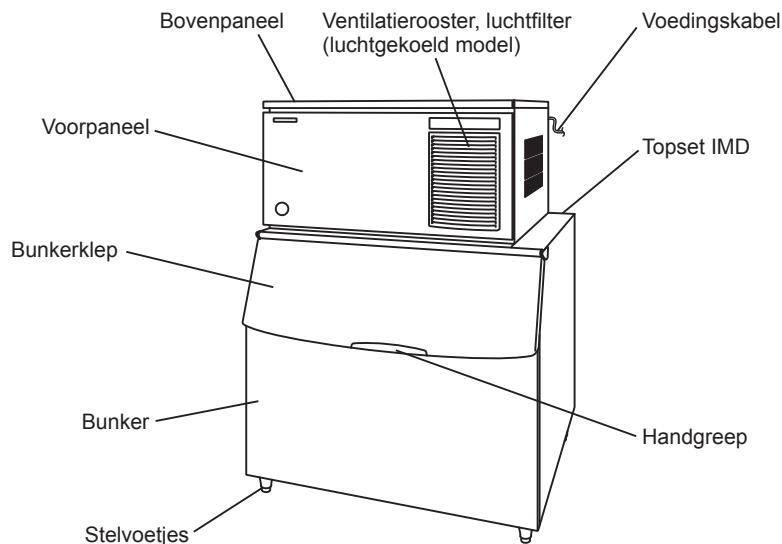
Enige andere vorm van gebruik wordt als ongeschikt en dus gevaarlijk beschouwd. De fabrikant kan niet aansprakelijk of verantwoordelijk worden gesteld voor enige schade die ontstaat door ongeschikt, incorrect en onredelijk gebruik.

De installatie en eventuele verplaatsing van de ijsmachine mag uitsluitend door gekwalificeerd personeel en overeenkomstig de plaatselijk geldende voorschriften worden uitgevoerd, waarbij de instructies van de fabrikant dienen te worden gevolgd.

Houd ventilatieopeningen, zowel in de behuizing van de machine als in de inbouwstructuur, vrij van obstakels.

NEDERLANDS

1. CONSTRUCTIE



2. TOEBEHOREN

	IM-240DNE(-C)	IM-240DWNE(-C)	IM-240DSNE	IM-240XNE	IM-240XWNE	IM-240XSNE
Cd	1	1	1	1	1	1
Toevoerslang	1	2	1	1	2	2
Afvoerslang	1	2	1	1	2	2
1/2-3/4-verloopnippel	-	2	-	-	2	2
Uitvalschacht	-	-	-	1	1	1
Bevestigingsbeugel	2	2	2	-	-	-
Zeskantbout met sluitringen 5 x 12	2	2	2	-	-	-
Bout 8 x 16	2	2	2	2	2	2
Moer	2	2	2	2	2	2
Plastic sluitring	4	4	4	4	4	4
Zeskantbout met sluitringen 4 x 10	-	-	-	4	4	4
Plastic klem	-	-	-	2	2	2



3. UITPAKKEN

⚠ WAARSCHUWING

Kinderen moeten buiten het bereik van het verpakkingsmateriaal (plastic zakken en geëxpandeerd polystyreen) worden gehouden aangezien dit mogelijke bronnen van gevaar zijn.

⚠ VOORZICHTIG

Til de doos niet op en verplaats deze niet met behulp van de transportbanden.

Wanneer u het apparaat handmatig verplaatst, dient u de panelen te verwijderen en het frame van de ijsmachine vast te houden.

Draag altijd beschermende handschoenen bij het dragen van de machine.

Werk met zijn tweeën bij het verplaatsen van de doos of de uitgepakte machine om letsel te voorkomen.

LET OP

Verwijder kartonnen doos, tape en ander verpakkingsmateriaal. Als er verpakkingsmateriaal achterblijft in de ijsmachine, werkt deze niet goed.

Opmerking: Deze ijsmachine heeft een bunker nodig. Hoshizaki beveelt de volgende opslagbunkers aan:

B801SA (topset IMD) -----IM-240D/IM-480D/IM-720D

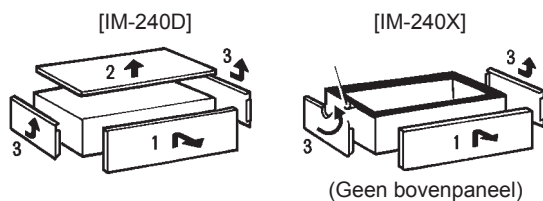
B700SF-----IM-240D/IM-480D

B800SF (topset 4) -----IM-480D/IM-720D

B900SF (topset 8) -----IM-480D/IM-720D

1) Controleer, nadat u de verpakking hebt verwijderd, of de ijsmachine en de bunker in goede staat verkeren. Gebruik de ijsmachine niet in geval van twijfel, maar raadpleeg bevoegd servicepersoneel. Raadpleeg het instructieblad dat bij de bunker is gevoegd voor richtlijnen bij het uitpakken en installeren.

2) Verwijder de panelen van de ijsmachine om toegang te verkrijgen tot het pakket met toebehoren en voor gemakkelijkere installatie.

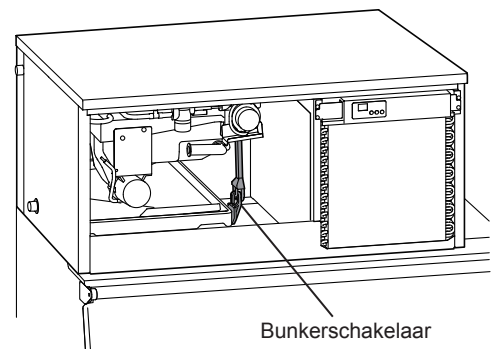


- a) Voorpaneel: Verwijder de schroef (schroeven). Til het paneel omhoog en trek het naar u toe.
- b) Bovenpaneel: Verwijder de schroef (schroeven). Til eraf.
- c) Zijpaneel: Verwijder de schroef (schroeven) [alleen IM-240X]. Iets naar voren schuiven en dan optillen.
- d) Achterpaneel: Hoeft niet te worden verwijderd.

3) Verwijder het pakket met de accessoires. Controleer de inhoud aan de hand van "2. TOEBEHOREN".

4) Verwijder de transporttape waarmee de bunkerschakelaar is vastgezet.

5) Verwijder de beschermfolie van de buitenkant. Als de ijsmachine is blootgesteld aan de zon of aan hitte, verwijdert u de folie nadat de ijsmachine is afgekoeld.



4. PLAATSING

⚠ WAARSCHUWING

Deze ijsmachine is niet bestemd voor gebruik buitenshuis.

De ijsmachine mag niet naast een oven, grill of andere apparatuur die veel warmte afgeeft worden geplaatst.

Deze machine is niet geschikt om in een ruimte te worden geïnstalleerd die met een waterstraal wordt schoongespoten.

⚠ VOORZICHTIG

De ijsmachine moet waterpas op een stevige ondergrond worden geplaatst.

LET OP

Plaats geen andere apparaten of voorwerpen bovenop de ijsmachine of voor de ventilatieopening.

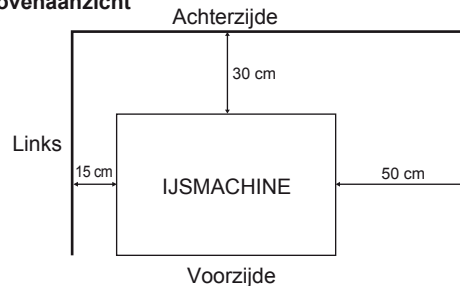
BELANGRIJK

De normale omgevingstemperatuur bij bedrijf moet tussen 1 °C en 40 °C liggen. Er mag uitsluitend koud water worden toegevoerd. Bediening van de ijsmachine gedurende langere perioden buiten dit normale temperatuurbereik kan de productiecapaciteit beïnvloeden.

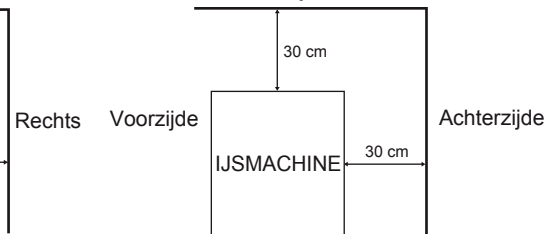
Houd aan de bovenkant de vrije ruimte aan die hieronder staat vermeld. Dit zorgt voor een optimale luchtcirculatie en vergemakkelijkt onderhouds- en/of reparatiewerkzaamheden.

[Luchtgekoeld model]

Bovenaanzicht

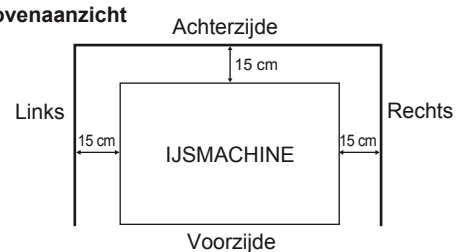


Zijaanzicht Bovenzijde

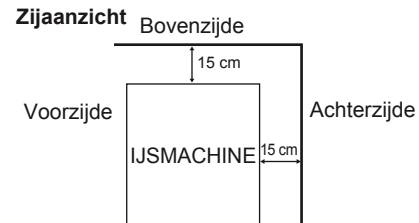


[Watergekoeld model]
[Op afstand geplaatst
luchtgekoeld model]

Bovenaanzicht



Zijaanzicht



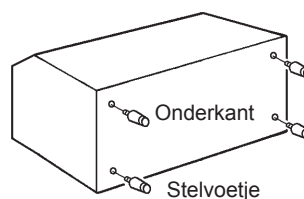
In sommige zeer vochtige omgevingen kan condensvorming optreden in de machine die vervolgens op de vloer druipt. Installeer de ijsmachine niet in een ruimte waar de vloer kan worden aangetast door water.

5. INSTALLATIE

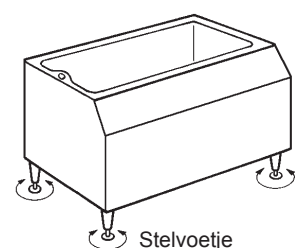
⚠ VOORZICHTIG

Onjuiste installatie van de ijsmachine kan schade toebrengen aan mens, dier en omgeving. De fabrikant aanvaardt geen aansprakelijkheid voor schade en/of letsel ten gevolge van het onjuist installeren van de machine.

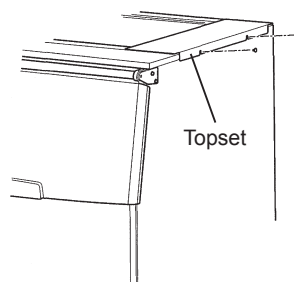
1) Leg de opslagbunker voorzichtig op de achterkant om schade te voorkomen. Zet de vier stelvoetjes (meegeleverd met opslagbunker) in de vier taps toelopende openingen aan de onderzijde van de bunker.



2) Plaats de bunker op een permanente plaats en zorg ervoor dat deze zowel van links naar rechts als van voor naar achter waterpas staat.

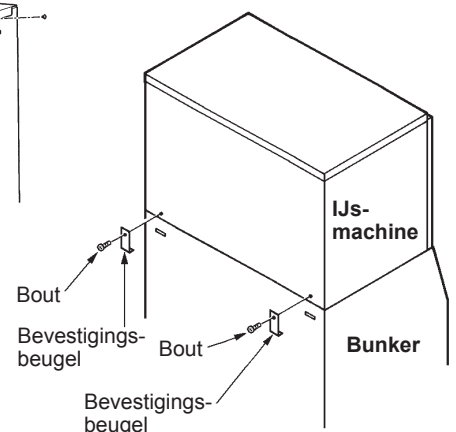


3) Gebruik de bijgeleverde schroeven aan de linker- of rechterzijde van de bunker om de topset te installeren.



4) Verwijder de panelen van de ijsmachine. Voor installatie hoeft het achterpaneel niet te worden verwijderd. Zie "3. UITPAKKEN".

5) Plaats de ijsmachine boven op de bunker. Wees voorzichtig dat de ijsmachine en de bunkerschakelaar niet worden beschadigd.



6) Zet de ijsmachine met de meegeleverde montagebeugels en bouten aan de achterkant vast aan de opslagbunker.

7) Plaats de panelen van de ijsmachine terug.

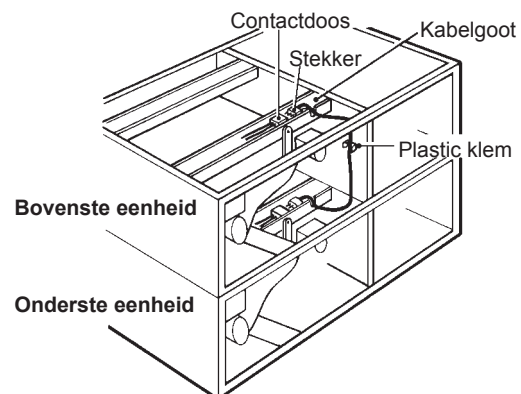
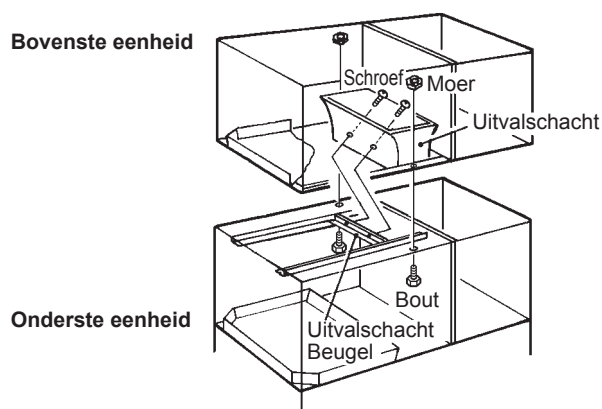
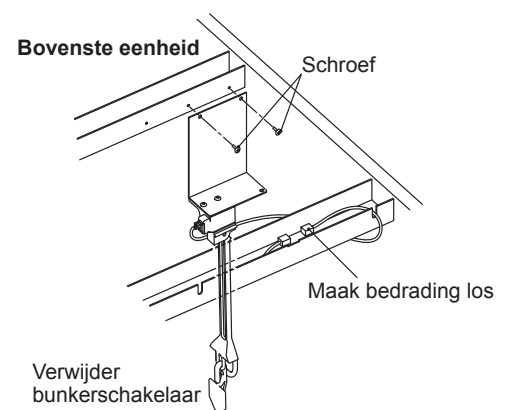
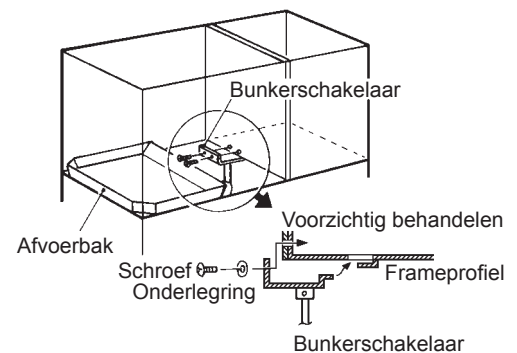
6. IJSMACHINES STAPELEN

LET OP

Controleer het model van de ijsmachine. Een ijsmachine van het type D en een ijsmachine van het type X zijn nodig voor het stapelen van twee ijsmachines. Voor het stapelen van drie ijsmachines zijn een ijsmachine van het type D en twee ijsmachines van het type X nodig. De ijsmachine van het type D is ontworpen als bovenste eenheid en het type X als middelste en onderste eenheid.

De typen D en X worden geleverd met twee verschillende typen bunkerschakelaars. Gebruik bij het stapelen van ijsmachines alleen de schakelaar van de onderste (en middelste) ijsmachine van het type X. De bunkerschakelaar moet worden verwijderd van de bovenste eenheid. Verkeerde of ontbrekende aansluiting kan ernstige schade aan de ijsmachines veroorzaken, en uiteindelijk uitval.

- 1) Bereid de bunker voor en plaats deze in positie zoals weergegeven in 1), 2) en 3) in "5. INSTALLATIE".
- 2) Verwijder de panelen van de ijsmachine. Voor installatie hoeft het achterpaneel niet te worden verwijderd. Zie "3. UITPAKKEN".
- 3) Plaats de onderste eenheid (type X) boven op de opslagbunker.
- 4) Zet de onderste eenheid (type X) met de meegeleverde montagebeugels en bouten aan de achterkant vast aan de opslagbunker.
- 5) Verwijder de transporttape waarmee de bunkerschakelaar is vastgezet op de lekbak. Bevestig de bunkerschakelaar aan het frame onderaan links van de condensor en zet die vast met de twee bijgeleverde schroeven en de twee sluitringen.
- 6) Maak voor het stapelen de verbindingdraden van de bunker (driepensconnector) los van het bovenste of middelste apparaat. Verwijder de schroeven en de bunkerschakelaar. Bij het stapelen van twee of drie ijsmachines is de schakelaar voor de bovenste eenheid niet nodig. Gooi de schakelaar niet weg.
- 7) Plaats de bovenste of middelste machine op de onderste machine.
- 8) Zet de twee machines vast met de twee bijgeleverde bouten en moeren.
- 9) Plaats de uitvalschacht (meegeleverd met onderste of middelste eenheid) en zet deze met de twee schroeven vast aan de beugel.
- 10) Sluit de verbindingdraden (met driepensconnector) in de bedradingsgoot van de onderste eenheid aan op de contactdoos van de bovenste eenheid, die in stap 6 werden losgemaakt. Zet de draden vast met de bijgeleverde plastic klem.



- 11) Plaats de panelen van de ijsmachine terug.

Opmerking: Herhaal stappen 6 t/m 11 voor de bovenste machine bij het stapelen van drie ijsmachines. Vergeet niet dat er slechts EEN bunkerschakelaar nodig is, ongeacht de configuratie. De verlengdraden van de bunkerschakelaar zijn gemonteerd aan de plug en bevinden zich opgerold in de bedradingsgoot van het type X.

7. ELEKTRISCHE AANSLUITINGEN

⚠ WAARSCHUWING

DEZE MACHINE MOET WORDEN GEAARD

Deze ijsmachine moet worden geaard volgens de geldende voorschriften.

Ter voorkoming van ernstig persoonlijk letsel en materiële schade als gevolg van elektrische schokken, dient deze ijsmachine te worden voorzien van een correct aangebrachte aardleiding.

Verwijder de stekker uit het stopcontact voordat u onderhouds-, reparatie- of reinigingswerkzaamheden gaat uitvoeren.

- * Deze machine vereist een aparte voeding van 220 - 240 V wisselstroom, 13 A. Het stopcontact moet worden beschermd door een geschikte stroomonderbreker.
- * Gestapelde ijsmachines moeten elk een aparte contactdoos hebben, maar zij moeten allemaal parallel worden aangesloten op dezelfde enkelfasige voeding of circuit met voldoende stroomcapaciteit. Bovendien moeten er, om kortsluitingen te voorkomen, geen afzonderlijke spanningsbrekers worden gebruikt voor elke machine.
- * De hoofdzekering van de besturingskast heeft een nominale waarde van 5 A en mag alleen worden vervangen door een erkende onderhoudsmonteur.
- * Normaalgesproken dient men te beschikken over de juiste vergunningen en/of de hulp in te roepen van een erkend elektricien.
- * Als de voedingskabel beschadigd is, moet deze worden vervangen door een vervangende kabel die verkrijgbaar is bij de onderdelen- en servicecentra van Hoshizaki.
- * Overeenkomstig de vereisten van de IEC-norm bedraagt de maximaal toegestane systeemimpedantie (Z_{max}) op het aansluitpunt tussen de voedingskabel en de ijsmachine $0,23+j0,23$ ohm. Zorg ervoor, zo nodig met behulp van uw elektriciteitsbedrijf, dat de ijsmachine wordt aangesloten op een voeding met een systeemimpedantie van $0,23+j0,23$ ohm of minder.

Alleen voor het Verenigd Koninkrijk en Ierland

- * De draden van de netvoeding hebben een kleurcode:

Groen/geel = aarde

Blauw = neutraal

Bruin = stroomvoerend

Als de gekleurde draden in de voedingskabel van deze machine zijn aangesloten op stekkerpolen met een afwijkende kleur, dient u het volgende te doen:

Sluit de groen/gele draad in de stekker aan op de groen/gele of groene stekkerpool of anders op de stekkerpool die is aangeduid met de letter E of het symbool \perp . Sluit de blauwe draad aan op de zwarte stekkerpool of op de stekkerpool die is aangeduid met de letter N. Sluit de bruine draad aan op de rode stekkerpool of op de stekkerpool die is aangeduid met de letter L.

- * Als het stopcontact waarop u de ijsmachine wilt aansluiten niet geschikt is voor de stekker die aan de voedingskabel van de ijsmachine zit, dient de stekker te worden verwijderd (een gegoten stekker wordt afgesneden) en vervangen door een geschikte stekker.

De gegoten stekker die van de voedingskabel is afgesneden, moet worden weggegooid. Hij mag niet opnieuw worden gebruikt. Wanneer deze stekker elders in een stopcontact wordt gestoken, zorgt dit voor een groot risico van elektrische schokken.

- * De gegoten stekker mag uitsluitend in combinatie met een zekeringhouder worden gebruikt.

Het referentienummer van de fabrikant is in de stekker ingeslagen. In geval u de zekeringhouder vervangt, dient een vervangend exemplaar van hetzelfde type te worden gebruikt.

Zekeringhouders zijn te verkrijgen via de onderdelen- en servicecentra van Hoshizaki.

Gebruik zekeringen van 13 A die zijn goedgekeurd volgens BS 1362.

8. EXTERNE CONDENSOR

[a] UITPAKKEN, INSPECTIE, VOORBEREIDING

- 1) Verwijder alle transportverpakking zoals karton en tape.
- 2) Verwijder het bovenpaneel.
- 3) Controleer dat de koelleidingen geen leidingen of andere oppervlakken raken en dat het ventilatorblad vrij kan draaien.
- 4) De hieronder aanbevolen onderdelen en materialen zijn vereist.

Snoer

17 AWG (1,0 mm²) drieadrige kabel is nodig voor de bedrading van de ventilatormotor tussen de ijsmachine en de condensor (L+N+ \perp).

Koperen buizen

Met fosfor gedesoxideerde koperen buizen. Voor de koelleidingen zijn twee buizen van dezelfde diameter nodig. Markeer ze om een onderscheid aan te brengen tussen de gasleiding en de vloeistofleiding, om verkeerde aansluiting te voorkomen.

9,52 (buitendiameter) x 7,93 (binnendiameter) - gas

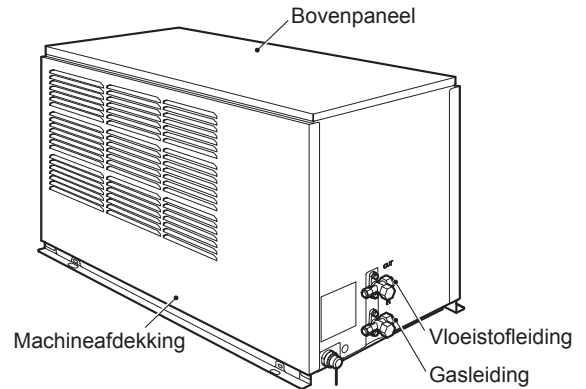
9,52 (buitendiameter) x 7,93 (binnendiameter) - vloeistof

Buisisolatie (voor gas- en vloeistofleidingen)

Bestand tegen temperaturen tot 120 °C.

Bout

Vier M8 zeskantbouten voor het vastzetten van de condensor.

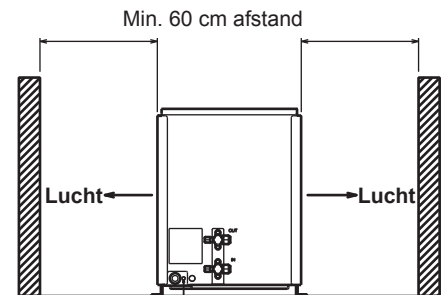


- 5) Verwijder de platen van de machines niet voordat de installatie gereed is, om beschadiging van de luchtgekoelde condensor te voorkomen.

[b] LOCATIE

De condensor is bedoeld voor gebruik buitenshuis en moet op een permanente, goed geventileerde plek worden geplaatst, met inachtneming van de volgende richtlijnen:

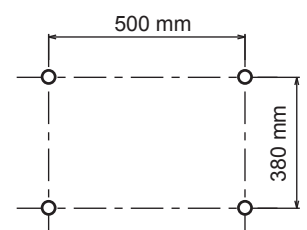
- * Kies een stevige en vlakke ondergrond.
- * Mag niet worden blootgesteld aan extreme of ongunstige weersomstandigheden.
- * Bij voorkeur op een droge en goed geventileerde plaats met 60 cm vrije ruimte aan de voor- en achterzijde, zodat eventuele onderhouds- en reparatiewerkzaamheden kunnen worden uitgevoerd.
- * Normale omgevingstemperatuur van condensor: +1 °C tot +40 °C. Temperaturen buiten dit bereik kunnen de productiecapaciteit van de ijsmachine nadelig beïnvloeden.
- * Wanneer de condensor op een dak wordt geïnstalleerd, verdient het aanbeveling het apparaat op een ca. 50 cm hoge basis te monteren om warmtereflectie te voorkomen en te verhinderen dat de eenheid in water komt te staan.
- * De maximale leidinglengte bedraagt 10 m. Voor informatie over installaties met langere leidingen neemt u contact op met het dichtstbijzijnde servicekantoor van Hoshizaki. (Zie de instructiehandleiding voor contactdetails.)
- * De condensor mag niet hoger dan 6 m boven of lager dan 2 m onder de ijsmachine worden geïnstalleerd.



Opmerking: wanneer de richtlijnen voor de installatie niet in acht worden genomen, kunnen de prestaties van de ijsmachine nadelig worden beïnvloed.

[c] INSTALLATIE

- 1) Deze condensor wordt geleverd met vier bevestigingsopeningen. Zet de condensor vast met vier bouten.



NEDERLANDS

2) Verwijder de trompmoer uit elk van de schräderventielen op de ijsmachine en de condensor.

Opmerking: verwijder de koperen afdekkingen van de trompmoeren en gooi deze weg.

3) De twee koperen buizen (9,52 mm buitendiameter) die ter plaatse aanwezig moeten zijn, dienen afzonderlijk te worden geïsoleerd. Plaats de trompmoeren op beide uiteinden van de buizen en tromp de uiteinden van de buizen.

Opmerking: de uiteinden van de te trompen buizen dienen vrij te zijn van beschadigingen, barsten en bramen en eveneens vrij te zijn van vet of verontreinigingen.

4) Sluit de getrompte koperen leidingen aan op de ijsmachine en de condensor. De twee buizen hebben dezelfde diameter, markeer ze daarom om een onderscheid aan te brengen tussen de gasleiding en de vloeistofleiding, om verkeerde aansluiting te voorkomen. Breng wat schone koelolie van een geschikt type aan op de oppervlakken van de tromp alvorens die aan te sluiten en vast te draaien. Ondersteun de toegangsklep met een sleutel op de vlakke gedeelten bij het aandraaien van de moeren.

Opmerking: 1. Draai de trompmoeren aan met een aanhaalmoment van 38 ± 4 Nm.
2. Controleer de markeringen aan beide uiteinden van de koperen buizen en zorg ervoor dat de aansluitingen correct worden gemaakt.
3. De buizen mogen niet trillen. Zet de buizen vast om belasting te voorkomen.

5) Verwijder de afdekkingen van de servicepoort uit elk van de schräderventielen op de ijsmachine. Laat de leidingen via de poorten leeglopen, gedurende 20 minuten bij max. 0,1 torr. Vul beide leidingen met dampkoelmiddel R404A, tot een druk van 1 bar. Voeg stikstof toe om de druk tot 15 bar te verhogen. Controleer de koppelingen goed met een lekdetector of zeepsop.

6) Laat de leidingen weer leeglopen bij max. 0,1 torr. Vul de leidingen tot 1 - 2 bar met koelmiddel R404A. (De werkelijke hoeveelheid is afhankelijk van de lengte van de leidingen.)

Basisvulling tot 10 m: 2.000 g
Extra vulling voor elke extra meter: 40 g

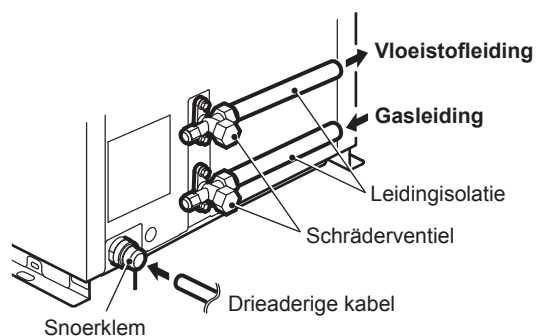
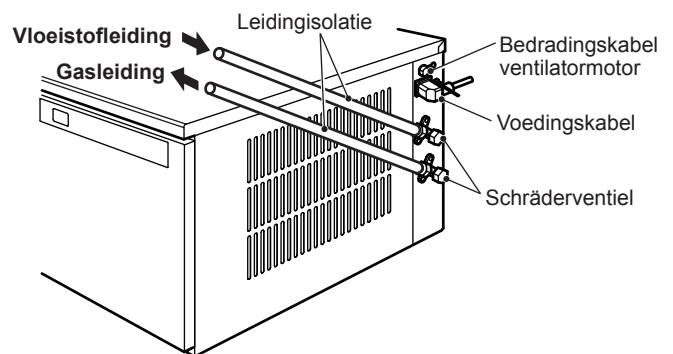
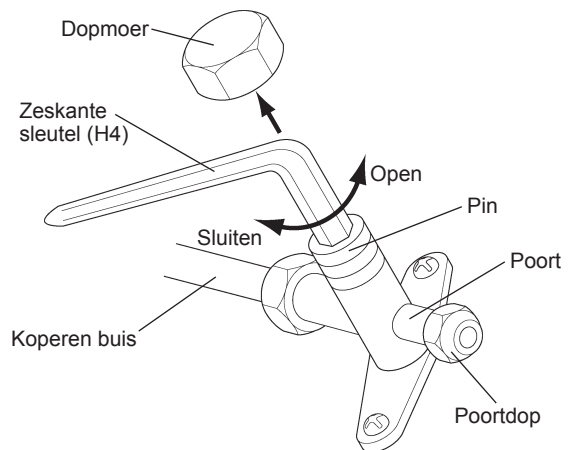
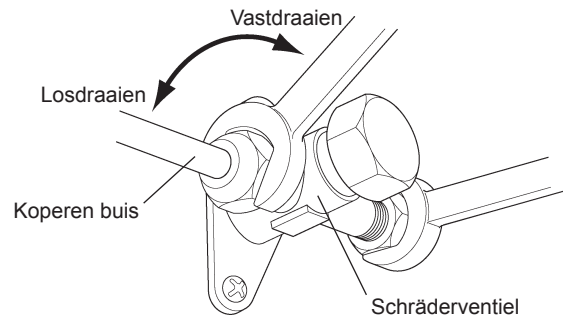
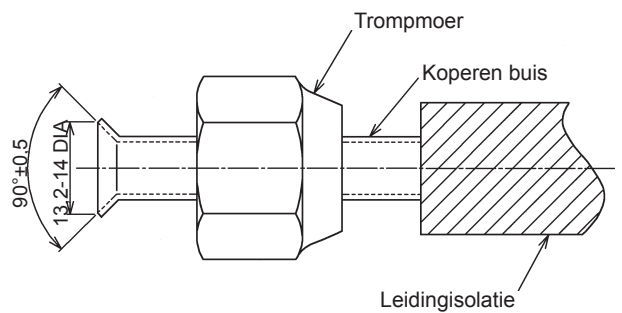
Omdat de totale voorgevulde hoeveelheid koelmiddel in de ijsmachine en de op afstand geplaatste condensor 2.000 g is, is de benodigde hoeveelheid koelmiddel:
 $40 \text{ g} \times [\text{lengte van de leidingen} - 10] \text{ m}$

Voorbeeld - Wanneer de lengte van de leidingen 15 m is, (d.w.z. de afstand tussen de ijsmachine en de condensor)

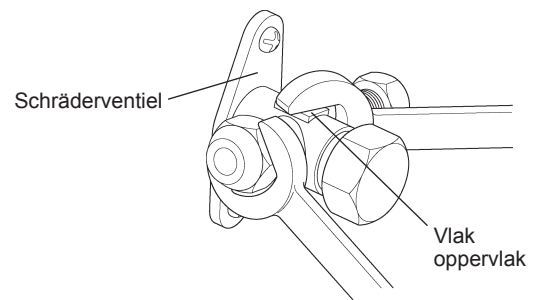
$15 \text{ m} - 10 \text{ m} = 5 \text{ m}$
Basisvulling = 2.000 g (tot 10 m leiding)
Extra vulling = 40 g/m
Benodigde hoeveelheid koelmiddel = $40 \text{ g} \times 5 \text{ m} = \underline{200 \text{ g}}$

Verwijder na het vullen van het koelmiddel de vulcilinder en de vulleidingen. Plaats de afdekkingen terug op de poorten en draai die vast met een aanhaalmoment van 10 ± 1 Nm.

7) Verwijder de afdekmoeren uit elk van de schräderventielen op de ijsmachine en de condensor. Open de ventielen van de vloeistof- en gasleidingen door de spil met een zeskante tang helemaal open te draaien.



- 8) Plaats de afdekmoeren terug en draai die vast met een aanhaalmoment van 25 ± 3 Nm.
- 9) Controleer de afdekmoeren, de afdekkingen van de poorten en de trompverbindingen op gaslekken met een detector of zeepsop.
- 10) Isoleer de verbindingen en dicht deze waterdicht af.



Opmerking: Houd bij het verwijderen of installeren van de moeren op de schräderventielen de platte oppervlakken van de klep vast met een sleutel.

[d] ELEKTRISCHE AANSLUITINGEN

⚠ WAARSCHUWING

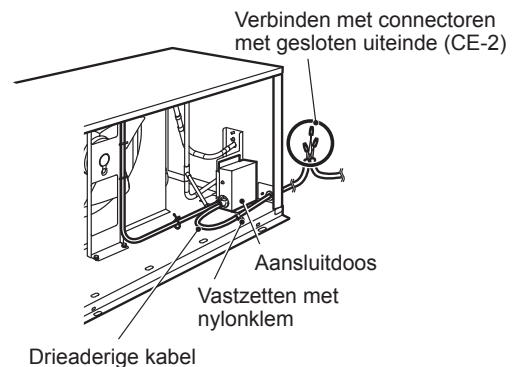
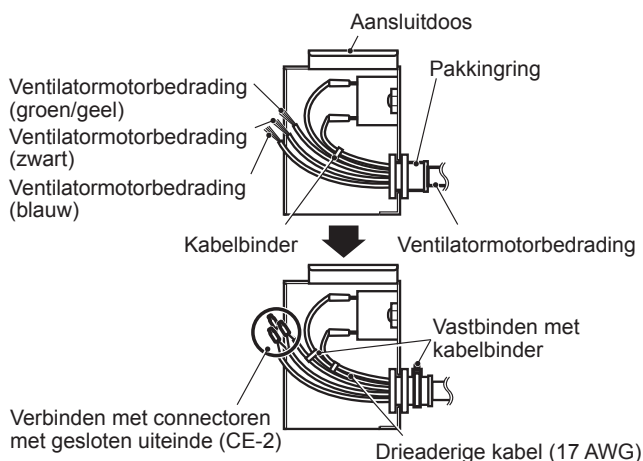
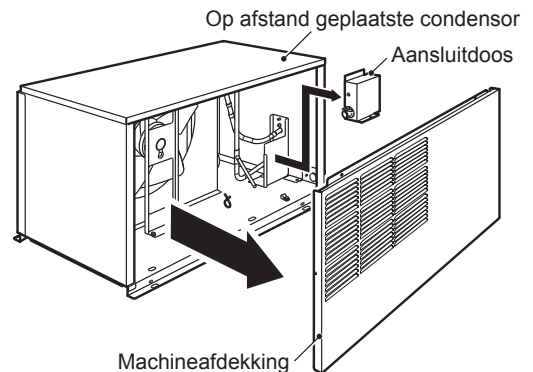
DEZE MACHINE MOET WORDEN GEAARD

Deze op afstand geplaatste condensator moet worden geaard volgens de geldende nationale en plaatselijke voorschriften.

Ter voorkoming van ernstig persoonlijk letsel en materiële schade als gevolg van elektrische schokken, dienen deze ijsmachine en de condensator te worden voorzien van een correct aangebrachte aardleiding.

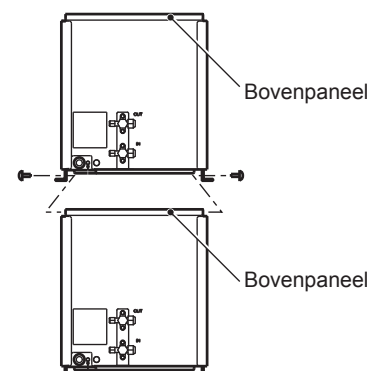
- * Sluit de drieadrige kabel voor bedrading van de ventilatormotor aan binnen in de aansluitdoos van deze condensator.
- * Normaalgesproken dient men te beschikken over de juiste vergunningen en/of de hulp in te roepen van een erkend elektricien.

- 1) Verwijder de platen van de externe condensator.
- 2) Verwijder de aansluitdoos.
- 3) Leid de drieadrige kabel door de doorvoer.
- 4) Leid de drieadrige kabel door de pakkingring van de aansluitdoos. Sluit de verbindingdraden van de ventilatormotor en de drieadrige kabel aan met behulp van connectoren met gesloten uiteinde en bind de pakkingring vast met een kabelbinder. Controleer na de aansluiting of de connectoren met gesloten uiteinde naar boven zijn gericht.
- 5) Bevestig de drieadrige kabel in de juiste positie met de snoerklem.
- 6) Breng de platen van de externe condensator weer aan.



[e] CONDENSORS STAPELEN

- 1) Zet de onderste condensator vast.
- 2) Verwijder het bovenpaneel van de onderste condensator. Bewaar de vier schroeven voor het bovenpaneel.
- 3) Bevestig de bovenste condensator bovenop de onderste.



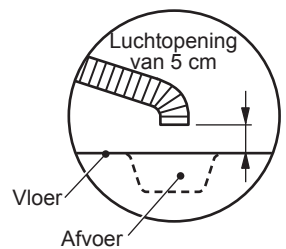
- 4) Zet de bovenste condensor vast met de vier schroeven voor het bovenpaneel.
- 5) Installeer koelleidingen en breng elektrische aansluitingen tot stand voor elke ventilatormotor.

9. AANSLUITING VAN WATERTOEOVOER- EN WATERAFVOERLEIDINGEN

⚠ WAARSCHUWING

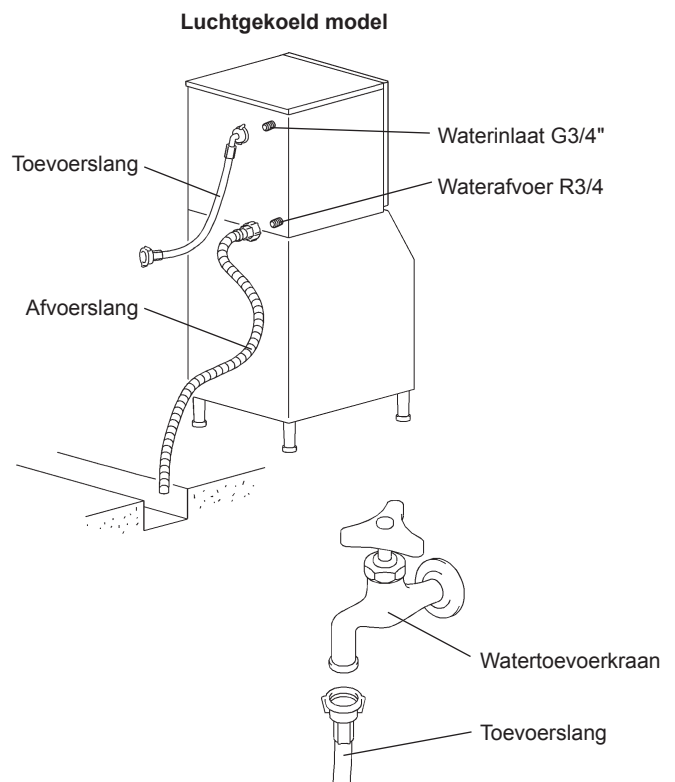
Mag alleen worden aangesloten op een drinkwaterleiding voor koud water.

- * De aansluitingen aan de drinkwaterleiding moeten worden uitgevoerd in overeenstemming met de huidige vereisten van het land in de regelgeving met betrekking tot watertoevoer of -accessoires.
- * Het water om ijs mee te maken moet drinkwater zijn. Waar vorming van ketelsteen kan optreden ten gevolge van de waterkwaliteit:
 - Installatie van een extern filter of zachtmaker wordt aanbevolen. Neem contact op met uw plaatselijke waterbehandelings-specialist of Hoshizaki-servicebedrijf.
 - Overschakelen naar de modus "volledig doorspoelen" wordt aanbevolen. Neem contact op met uw plaatselijke Hoshizaki-servicebedrijf.
- * De watertoevoerdruk moet ten minste 0,07 MPa (0,7 bar) bedragen en mag niet hoger dan 0,8 MPa (8 bar) zijn. Als de waterdruk hoger is dan 0,8 MPa (8 bar), moet gebruik worden gemaakt van een reduceerventiel. De watertoevoerkraan mag voor dit doel NIET gedeeltelijk worden dichtgedraaid.
- * In sommige gebieden kan een loodgietersvergunning of het inschakelen van een erkend loodgieter verplicht zijn.
- * De waterafvoer van de ijsmachine stroomt onder natuurlijk verval; de afvoerslang moet dus voldoende verval hebben.
- * Afvoerleidingen mogen niet rechtstreeks op de riolering worden aangesloten. Houd een verticale luchtopening van minimaal 5 cm aan tussen het uiteinde van de afvoerslangen van ijsmachine en bunker en de vloerafvoer.
- * Voorkom terugstromen van afvoerwater naar de bunker.
- * Bij het watergekoelde model kan het nodig zijn een terugslagklep in het koelwatercircuit te plaatsen.
- * Gebruik de nieuwe slangensets die met het apparaat zijn meegeleverd. Gebruik oude slangensets niet opnieuw.



[Luchtgekoeld model]

- 1) Bevestig het gebogen uiteinde van de flexibele toevoerslang (meegeleverd) aan de G 3/4"-aansluiting aan de achterzijde van de ijsmachine zoals weergegeven. Let er daarbij op dat de rubber afstandsring goed is aangebracht. Voorkom lekkage door de aansluiting handvast aan te draaien.
- 2) Bevestig het andere uiteinde van de toevoerslang aan de waterkraan. Zorg ervoor dat de afdichting goed is aangebracht voordat u de aansluiting handvast aandraait. Het verdient aanbeveling een afsluitkraan te monteren op een goed bereikbare plek.
- 3) Bevestig de flexibele grijze afvoerslang (meegeleverd) aan de R3/4"-aansluiting aan de achterzijde van de ijsmachine zoals weergegeven en draai deze handvast aan. Let er daarbij op dat de rubberen afstandsring goed is aangebracht om lekkage te voorkomen. De slang kan zonodig op lengte worden gesneden voor een passende aansluiting op de hoofdafvoer.



[Watergekoeld model]

- * Hoshizaki raadt aan om de watergekoelde condensor aan te sluiten op een hercirculerend koelsysteem met gesloten circuit, voorzien van een toren, waterkoeler of gelijksoortige installatie. Het vullen met water moet via een kogelventiel/mengvat plaatsvinden.
- * Hoewel het aansluiten van een watergekoelde condensor op een drinkwaterleiding geen invloed heeft op de prestaties van de machine, wordt dit in verband met het hoge verbruik afgeraden.
- * Voor een correcte installatie moet een bevoegde of erkende loodgieter worden ingeschakeld.
- * De aansluitingen moeten in overeenstemming zijn met de van toepassing zijnde landelijke of plaatselijke voorschriften.

[a] Standaardaansluiting volgens de WRAS-voorschriften in het Verenigd Koninkrijk.

- * Bij het kiezen van een koeltoren moet u rekening houden met de volgende piekwaarden van de warmtestroming in de condensor:

Model IM-240AW: 5235 W

- * Leidingen tussen de koeltoren en de ijsmachine moeten minstens 20 mm in doorsnee zijn om drukverlies op te vangen, ondanks dat de aansluitingen van de ijsmachine zelf 13 mm in doorsnee zijn.
- * Drukverlies in het watercircuit binnen de ijsmachine zal 5 tot 6 m bedragen als het koelwater een stroomsnelheid heeft van 4 tot 5 l/min.
- * Houd bij het selecteren van een circulatiepomp rekening met bovenstaande warmtestromingswaarden.
- * Gebruik geen cascadepomp omdat het waterregelventiel de stroming zal variëren en deze tijdens de ontdooicyclus zal stoppen.

[Ijsmachineaansluitingen]

1) Bevestig het gebogen uiteinde van de flexibele toevoerslang (meegeleverd) aan de G3/4"-aansluiting aan de achterzijde van de ijsmachine zoals weergegeven. Let er daarbij op dat de rubber afdichtring goed is aangebracht. Voorkom lekkage door de aansluiting handvast aan te draaien.

2) Bevestig het andere uiteinde van de toevoerslang aan de waterkraan. Zorg ervoor dat de afdichtring goed is aangebracht voordat u de aansluiting handvast aandraait.

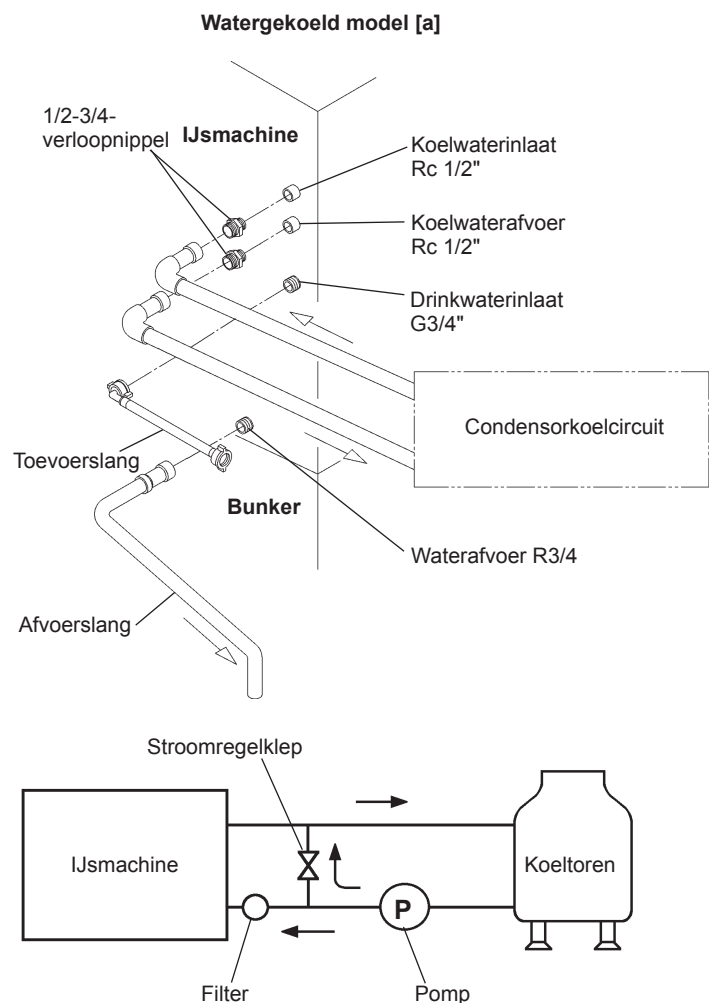
Opmerking: Indien waterfiltering of -zuivering wordt gebruikt, dient u ervoor te zorgen dat alleen de ijsmachine is aangesloten op de gezuiverde watertoevoer, niet de condensor.

3) Draai de flexibele grijze afvoerslang (meegeleverd) handvast aan op de R3/4 aansluiting aan de achterzijde van de ijsmachine zoals aangegeven. Zorg er daarbij voor dat de rubber afdichtring goed is aangebracht voor een lekvrije aansluiting. De slang kan zonodig op lengte worden gesneden voor een passende aansluiting op de hoofdafvoer.

4) Draai de 1/2"-3/4"-nippels (accessoire) met behulp van een geschikte (schroef)sleutel in de 1/2"-aansluitingen aan de achterzijde van de ijsmachine zoals weergegeven. Voor een lekvrije verbinding moet PTFE-tape en/of een geschikte afdichtingspasta worden gebruikt.

Opmerking: de koppelingselementen moeten zijn goedgekeurd en moeten geschikt zijn voor gebruik met drinkwater.

5) Sluit het condensorkoelcircuit door middel van een onbuigzame pijp aan op de vrije uiteinden van de 1/2"-3/4"-verloopnippels zoals aangegeven.



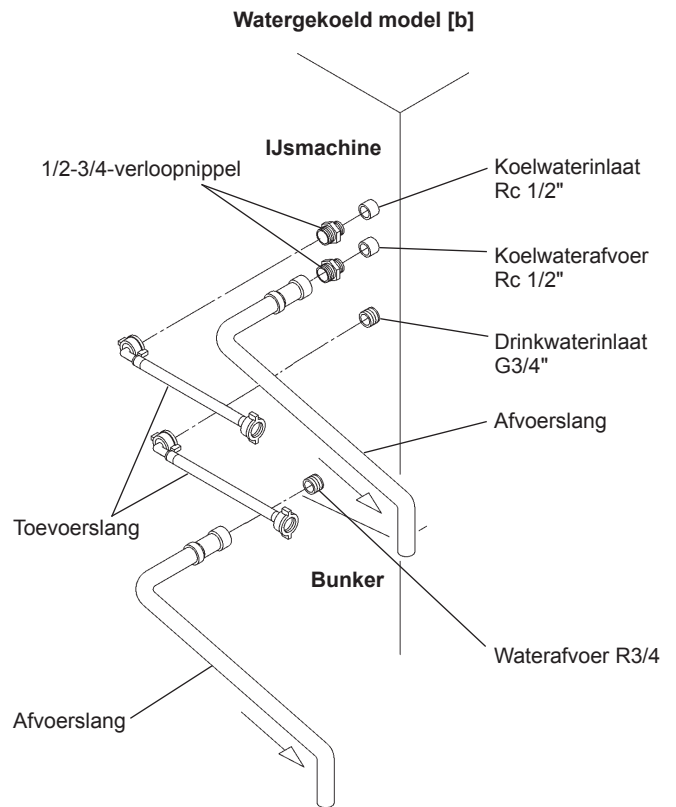
NEDERLANDS

[b] Aansluitingen volgens voorschriften die afwijken van de WRAS-voorschriften, met gebruikmaking van meegeleverde slangen.

- 1) Volg stappen 1 t/m 4 zoals in [a] hierboven.
- 2) Voor condensoraansluitingen moet u de meegeleverde slangen gebruiken en dezelfde aansluitingen maken als in stappen 1 t/m 3, zoals in [a] boven op de vrije uiteinden van de 1/2"-3/4"-nippels zoals aangegeven.

10. OPSTARTPROCEDURE

- 1) Draai de waterkraan open.
- 2) Sluit de netvoeding aan en schakel de ijsmachine in.
- 3) Op het display wordt "on" weergegeven.
- 4) Nu gebeurt achtereenvolgens het volgende:
 - a) De heetgasklep gaat open.
 - b) De compressor start na 30 seconden.
 - c) De waterbak gaat volledig open.
 - d) De magneetklep voor het watersysteem opent zich.
 - e) De waterbak begint zich te sluiten (heetgasklep gesloten).
 - f) De waterbak is geheel gesloten - de pompmotor begint te draaien.
 - g) De magneetklep voor het watersysteem sluit.



▲HYGIËNE

Controleer de kwaliteit van het geproduceerde ijs.

Het ijs dat tijdens het testen van de ijsmachine is geproduceerd, mag niet worden gebruikt voor consumptie. Het is mogelijk verontreinigd met deeltjes afkomstig uit het watercircuit. Gooi het ijs weg in de afvoer.

Maak voor ingebruikname van de ijsmachine eerst de bunker schoon (zie "III. 1. SCHOONMAKEN" in de instructiehandleiding).

11. LAATSTE CONTROLES

- 1) Controleer op de juiste spanning.
- 2) Controleer of de ijsmachine juist geaard is.
- 3) Controleer of de ijsmachine trillingvrij is.
- 4) Controleer of alle panelen zijn aangebracht en vastzitten.
- 5) Controleer de juiste werking aan de hand van "10. OPSTARTPROCEDURE".
- 6) Controleer de watertoevoer en de slangaansluitingen op lekkage.
- 7) Geef de gebruiker instructies met betrekking tot het juiste gebruik van de machine. Overhandig de instructiehandleiding aan de gebruiker.

INFORMACIÓN IMPORTANTE DE SEGURIDAD

A lo largo de este manual aparecerán avisos para llamar su atención sobre situaciones que podrían tener como consecuencia la muerte, heridas graves o daños en la unidad.

▲ADVERTENCIA	Indica una situación peligrosa que, de no evitarse, podría tener como resultado la muerte o heridas graves.
▲ATENCIÓN	Indica una situación peligrosa que, de no evitarse, podría tener como resultado heridas leves o moderadas.
AVISO	Indica una situación peligrosa que, de no evitarse, podría tener como resultado daños en la unidad.
▲HIGIENE	Indica precauciones importantes para la higiene y la seguridad de la comida.
IMPORTANTE	Indica información importante acerca del uso y el cuidado de la unidad.

IMPORTANTE

Para realizar la instalación del producto de modo seguro y efectivo, lea previamente este folleto con atención y siga sus instrucciones.

Una vez finalizada la instalación, inicie la máquina de hielo para asegurarse de que está todo correcto. Indique al usuario cómo utilizar y mantener la máquina de hielo de acuerdo con el manual de instrucciones.

Este folleto deberá entregarse al usuario al finalizar la instalación para que lo guarde junto con el manual de instrucciones para cualquier consulta que sea necesaria.

▲ADVERTENCIA

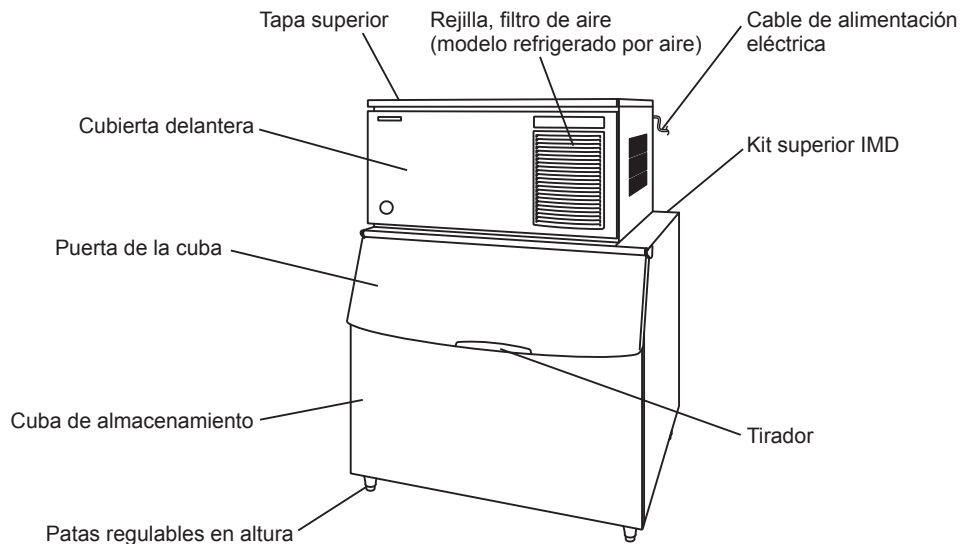
Esta máquina de hielo comercial solo debe utilizarse para los fines para los que ha sido expresamente diseñada. Asimismo, deberá acoplarse a la cuba de almacenamiento que corresponda según las especificaciones de Hoshizaki.

Cualquier otra utilización deberá considerarse inadecuada y, por lo tanto, potencialmente peligrosa. El fabricante no será responsable de ningún daño causado por un uso incorrecto, inadecuado o irracional.

La instalación y, si fuera necesario, la reubicación, deben ser realizadas únicamente por personal cualificado, de acuerdo con la normativa vigente y con las instrucciones del fabricante.

Mantenga los orificios de ventilación, de la carcasa de la máquina o de la estructura integrada, libres de cualquier obstrucción.

1. CONSTRUCCIÓN



2. ACCESORIOS

	IM-240DNE(-C)	IM-240DWNE(-C)	IM-240DSNE	IM-240XNE	IM-240XWNE	IM-240XSNE
CD	1	1	1	1	1	1
Manguera de entrada	1	2	1	1	2	2
Manguera de salida	1	2	1	1	2	2
Boquilla 1/2-3/4	-	2	-	-	2	2
Vertedera del hielo	-	-	-	1	1	1
Soporte de montaje	2	2	2	-	-	-
Tornillo hexagonal con arandelas 5 x 12	2	2	2	-	-	-
Tornillo 8 x 16	2	2	2	2	2	2
Tuerca	2	2	2	2	2	2
Arandela de plástico	4	4	4	4	4	4
Tornillo hexagonal con arandelas 4 x 10	-	-	-	4	4	4
Abrazadera de plástico	-	-	-	2	2	2



3. DESEMBALAJE

⚠ADVERTENCIA

No deje al alcance de los niños el material de embalaje (bolsas de plástico y poliestireno expandido), ya que son fuentes potenciales de peligro.

⚠ATENCIÓN

No levante ni manipule el cartón usando las cintas de embalaje.

Cuando desplace la unidad con la mano, desmonte las tapas y sujete el marco de la misma.

Lleve siempre guantes protectores al transportar la unidad.

Cuando vaya a manipular el cartón o la unidad desembalada, hágalo con la ayuda de otra persona para evitar daños.

AVISO

Retire el cartón, la(s) cinta(s) y el embalaje de expedición. La máquina de hielo no funcionará correctamente si no se quita el material de embalaje.

Nota: Esta máquina de hielo necesita una cuba de almacenamiento. Hoshizaki recomienda las siguientes cubas de almacenamiento de hielo:

B801SA (Kit superior IMD)----- IM-240D/IM-480D/IM-720D

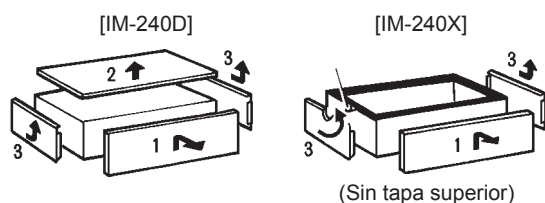
B700SF ----- IM-240D/IM-480D

B800SF (Kit superior 4) ----- IM-480D/IM-720D

B900SF (Kit superior 8) ----- IM-480D/IM-720D

1) Una vez que haya quitado el embalaje asegúrese de que la máquina de hielo y la cuba de almacenamiento estén en buen estado. En caso de duda, no use la máquina de hielo y consulte a profesionales cualificados. Para los procedimientos de instalación y desembalaje véase la hoja de instrucciones que acompaña a la cuba de almacenamiento.

2) Desmonte las tapas de la máquina de hielo para acceder al kit de accesorios y proceder a la instalación más fácilmente.



a) Tapa delantera: Retire los tornillos. Levante y tire hacia usted.

b) Tapa superior: Retire los tornillos. Simplemente levántela.

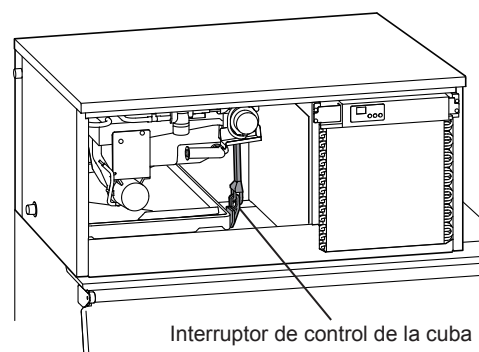
c) Tapa lateral: Retire los tornillos [sólo IM-240X]. Deslícela ligeramente hacia delante y, a continuación, levántela.

d) Tapa trasera: No requiere desmontaje.

3) Retire el embalaje de los accesorios. Verifique el contenido de acuerdo con "2. ACCESORIOS".

4) Quite la cinta de embalaje que sujeta el interruptor de control de la cuba.

5) Retire el plástico protector del exterior. Si la máquina de hielo está expuesta al sol o al calor, quítele la película una vez que se haya enfriado.



4. UBICACIÓN

⚠ADVERTENCIA

Esta máquina de hielo no está diseñada para uso en el exterior.

La máquina de hielo no debe colocarse cerca de hornos, parrillas u otras fuentes de calor.

Este aparato no es apropiado para su instalación en una zona en la que pueda haber un chorro de agua.

⚠ATENCIÓN

La máquina de hielo debe ubicarse sobre una base firme y nivelada.

AVISO

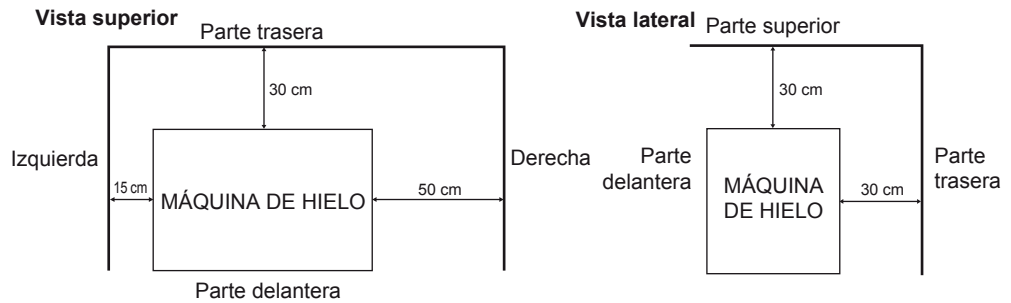
No coloque nada encima de la máquina de hielo ni delante de la rejilla.

IMPORTANTE

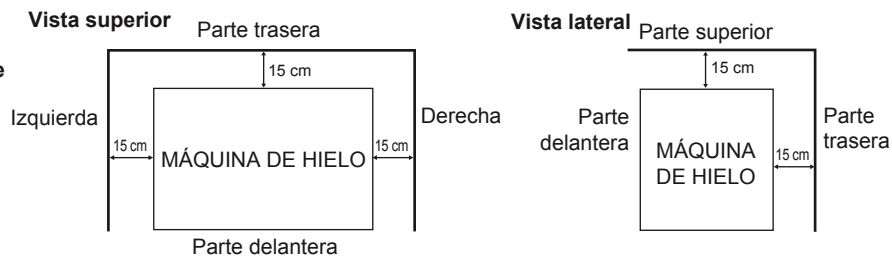
La temperatura ambiente normal de funcionamiento deberá oscilar entre 1 °C y 40 °C. La conexión al suministro de agua es únicamente para agua fría. La utilización de la máquina de hielo fuera de estos márgenes de temperatura normal por periodos prolongados puede afectar su capacidad de producción.

Deje el espacio especificado a continuación para permitir la circulación de aire y facilitar las eventuales operaciones de reparación o mantenimiento.

[Modelo refrigerado por aire]



[Modelo refrigerado por agua]
[Modelo refrigerado por aire remoto]



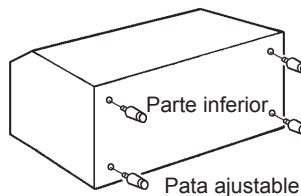
Es posible que en algunos entornos con un nivel alto de humedad se forme condensación en el interior de la máquina y gotee en el suelo. No la instale en suelos sensibles al agua.

5. INSTALACIÓN

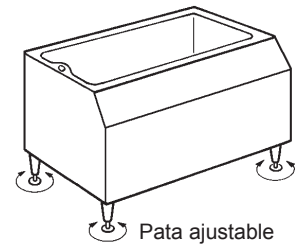
⚠ATENCIÓN

El fabricante no se hace responsable de los daños a personas, animales u otros elementos provocados por una instalación incorrecta.

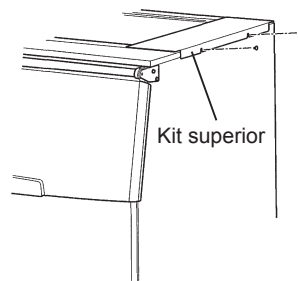
1) Tumbes con cuidado la cuba de almacenamiento sobre su parte posterior para evitar dañarla. Asegure las cuatro patas ajustables (accesorio de la cuba) en los cuatro orificios roscados situados en la parte inferior de la cuba.



2) Coloque la cuba de almacenamiento en la posición permanente seleccionada y nivélela tanto respecto del eje lateral como del anteroposterior.

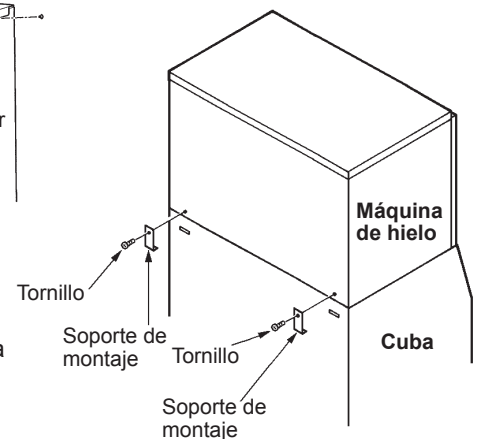


3) Utilice los tornillos proporcionados en la parte izquierda o la derecha de la cuba de almacenamiento para instalar el kit superior.



4) Desmonte las tapas de la máquina de hielo. No es necesario desmontar la tapa trasera para la instalación. Véase "3. DESEMBALAJE".

5) Coloque la máquina de hielo en la parte superior de la cuba de almacenamiento. Tenga cuidado de no dañar el marco de la máquina de hielo ni el interruptor de control de la cuba.



6) Asegure la máquina de hielo a la cuba de almacenamiento por la parte trasera mediante los soportes de montaje y los tornillos que se proporcionan.

7) Vuelva a montar las tapas de la máquina de hielo en su posición correcta.

6. ACOPLAMIENTO DE MÁQUINAS DE HIELO

AVISO

Compruebe cada modelo de máquina de hielo. Para acoplar dos máquinas de hielo se necesita una máquina de hielo del tipo D y otra del tipo X. Para acoplar tres máquinas de hielo se necesita una máquina de hielo del tipo D y dos del tipo X. La máquina de hielo del tipo D está diseñada a modo de unidad superior, y la del tipo X a modo de unidades media e inferior.

Las máquinas de hielo del tipo D y X vienen con dos tipos de interruptores de control de la cuba diferentes. Utilice el interruptor de control de la cuba de la máquina de hielo inferior (y media) del tipo X para acoplar máquinas de hielo. El interruptor de control de la cuba debe extraerse de la unidad superior. Una conexión incorrecta o la falta de conexión puede causar daños graves a las unidades de las máquinas de hielo, lo que provocaría fallos.

1) Prepare y coloque la cuba de almacenamiento tal y como se muestra en los pasos 1), 2) y 3) de "5. INSTALACIÓN".

2) Desmonte las tapas de la máquina de hielo. No es necesario desmontar la tapa trasera para la instalación. Véase "3. DESEMBALAJE".

3) Acople la unidad inferior (del tipo X) a la parte superior de la cuba de almacenamiento.

4) Asegure la unidad inferior (del tipo X) a la cuba de almacenamiento por la parte trasera mediante los soportes de montaje y los tornillos que se proporcionan.

5) Retire la cinta de embalaje que sujeta el interruptor de control de la cuba a la bandeja de drenaje. Acople el interruptor de control de la cuba al marco situado en la parte inferior izquierda de la unidad condensadora y asegúrelo mediante los dos tornillos y las dos arandelas que se proporcionan.

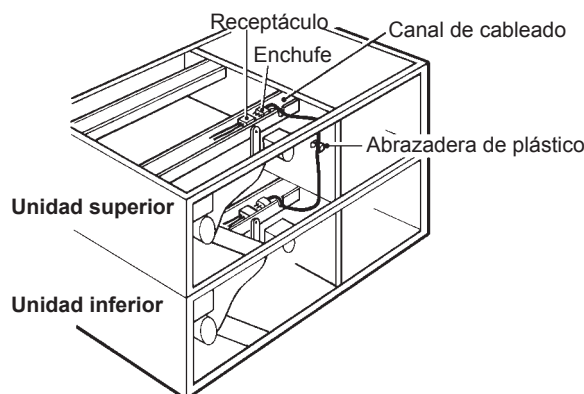
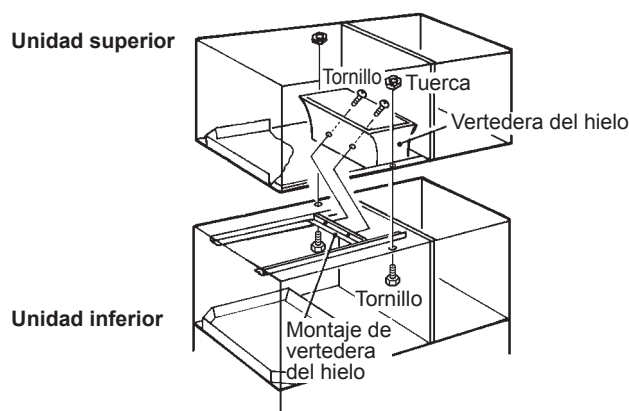
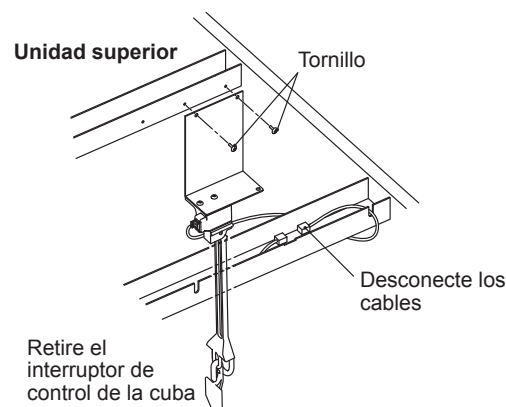
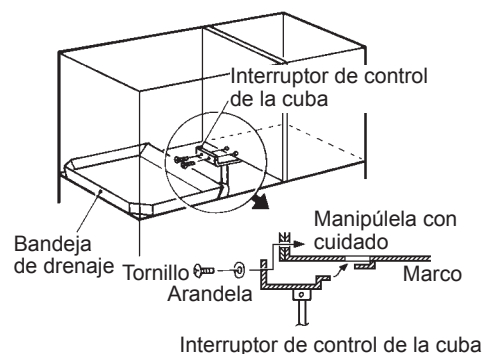
6) Antes de acoplarla, desconecte los cables del interruptor de control de la cuba (con enchufe de tres vías) de la unidad superior o media. Retire los tornillos y el interruptor de control de la cuba. Si acopla dos o tres máquinas de hielo, no necesitará el interruptor de la unidad superior. Guárdelo tras su extracción.

7) Acople la unidad superior o media a la unidad inferior.

8) Asegure las dos unidades mediante los dos tornillos y las dos tuercas que se proporcionan.

9) Coloque el canal de descarga del hielo (accesorio de la unidad inferior o media) y asegúrelo a el soporte mediante los dos tornillos.

10) Conecte los cables (con enchufe de tres vías) situados en el canal de cableado de la unidad inferior al receptáculo de la unidad superior, que se desconectaron en el paso 6). Asegure los cables mediante la abrazadera de plástico que se proporciona.



11) Vuelva a montar las tapas de la máquina de hielo en su posición correcta.

Nota: Para acoplar tres máquinas de hielo, repita los pasos 6) a 11) para la unidad superior. Tenga en cuenta que sólo se necesita UN control de la cuba independientemente de la configuración. Los cables de extensión del control de la cuba se han conectado previamente al enchufe y estarán enrollados en el canal de cableado del tipo X.

7. CONEXIONES ELÉCTRICAS

⚠ ADVERTENCIA

ESTA MÁQUINA DEBE CONECTARSE A TIERRA

Esta máquina de hielo requiere una conexión a tierra conforme a la normativa eléctrica nacional y local.

Para evitar la posibilidad de fuertes descargas eléctricas a personas o graves averías de la unidad, conecte a la máquina un cable de puesta a tierra adecuado.

Antes de realizar operaciones de mantenimiento, reparación o limpieza, desconecte la unidad de la red eléctrica.

- * Este equipo necesita una alimentación de 220 – 240 VCA, 13 A aparte. El suministro eléctrico debe protegerse con un disyuntor apropiado.
- * Cada una de las máquinas de hielo acopladas debería disponer de un receptáculo independiente, pero todas deben estar conectadas en paralelo a la misma fuente monofásica o a un mismo circuito con suficiente ampacidad. Además, para evitar una desconexión indeseada, no deben utilizarse disyuntores individuales de cada máquina.
- * El fusible principal de la caja de control es de 5 A y solo debe sustituirlo un técnico de mantenimiento cualificado.
- * Normalmente son necesarios un permiso para obras eléctricas y los servicios de un electricista acreditado.
- * Si se daña el cable de alimentación, deberá sustituirse por un cable de repuesto disponible en los centros de repuestos/servicio de Hoshizaki.
- * De acuerdo con los requisitos de la norma IEC, la impedancia máxima permitida del sistema ($Z_{\text{máx.}}$) en el punto del interfaz de la alimentación eléctrica que debe conectarse a esta máquina de hielo es de $0,23+j0,23$ ohm. Después de haberlo consultado con la autoridad pertinente en caso de que sea necesario, establezca que la máquina de hielo sea conectada únicamente a un suministro de $0,23+j0,23$ ohm o menos.

Únicamente en el Reino Unido y la República de Irlanda

- * Los hilos del cable de red están coloreados de acuerdo con el código siguiente:

Verde y amarillo = Tierra
Azul = Neutro
Marrón = Activo

Es posible que los colores de los hilos del cable de red de este equipo no se correspondan con las marcas de color que identifican los terminales del enchufe que se utilice. En ese caso, proceda del modo siguiente:

El hilo verde y amarillo se debe conectar al terminal del enchufe marcado con la letra E o con el símbolo \perp , o de color verde o de color verde-amarillo. El hilo azul debe conectarse al terminal marcado con la letra N o de color negro. El hilo marrón debe conectarse al terminal marcado con la letra L o de color rojo.

- * En caso de que las tomas de corriente del lugar donde se va a instalar no sean adecuadas para el enchufe que se suministra con el producto, debe sustituirse el enchufe (cortándolo si está moldeado) por uno adecuado.

Si la clavija no reutilizable se ha cortado del cable de alimentación, dicha clavija debe desecharse. No trate de reutilizarla. La introducción de esta clavija en cualquier toma de corriente representa un grave riesgo de descarga eléctrica.

- * La clavija no reutilizable no debe utilizarse nunca sin una tapa de fusibles montada.

El recambio correcto de la tapa de fusibles desmontable se identifica por el número de referencia del fabricante grabado en la propia clavija.

Puede obtener tapas de fusibles de repuesto en los centros de repuestos/servicio de Hoshizaki.

Los fusibles deben ser de 13 A y estar homologados según BS 1362.

8. UNIDAD CONDENSADORA REMOTA

[a] DESEMBALAJE, INSPECCIÓN, PREPARACIÓN

- 1) Desembale y retire la caja de transporte, la(s) cinta(s) y el embalaje.
- 2) Desmonte la tapa superior.
- 3) Verifique que los conductos de refrigerante no rozan ni tocan las tuberías u otras superficies y que la pala del ventilador gira libremente.
- 4) Serán necesarios los materiales y piezas recomendados que se describen a continuación.

de alimentación eléctrica

Se necesitará un cable de tres hilos 17 AWG (1,0 mm²) en el cableado del motor del ventilador entre la máquina de hielo y la unidad condensadora (L+N+ $\frac{1}{\text{GND}}$).

Tuberías de cobre

Tuberías de cobre desoxidado con fósforo. Se necesitarán dos tubos del mismo diámetro para los conductos de refrigerante. Márquelas para distinguir el conducto de gas del conducto de líquido y evitar una conexión incorrecta.

9,52 (DE) x 7,93 (DI): gas

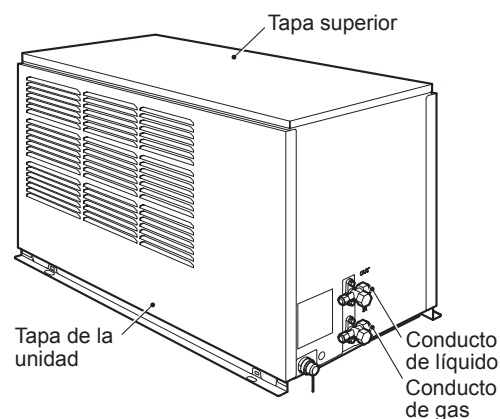
9,52 (DE) x 7,93 (DI): líquido

Aislamiento de tubo (para tubos de gas y líquido)

Para soportar temperaturas de hasta 120 °C.

Tornillo

Cuatro tornillos hexagonales M8 para asegurar la unidad condensadora.

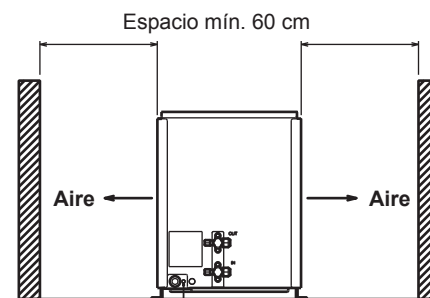


- 5) Con el fin de prevenir daños en el condensador refrigerado por aire, no quite la tapa de la unidad antes de terminar la instalación.

[b] UBICACIÓN

El condensador está diseñado para su uso exterior y debe colocarse en una ubicación permanente bien ventilada siguiendo las directrices siguientes:

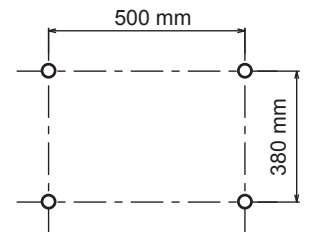
- * Seleccione un emplazamiento firme y plano.
- * No debe exponerse a condiciones atmosféricas severas o adversas.
- * Es preferible un área seca y bien ventilada con un espacio libre de 60 cm en las partes delantera y trasera para facilitar el mantenimiento y servicio en caso de que estos sean necesarios.
- * Temperatura ambiente normal del condensador: +1 °C a +40 °C. Las temperaturas fuera de este intervalo de funcionamiento pueden afectar a la capacidad de producción de la máquina de hielo.
- * Si la unidad condensadora está instalada en un tejado, se recomienda una base de una altura de 50 cm para prevenir la reflexión del calor y evitar que la unidad se pueda encontrar sobre el agua.
- * La longitud máxima del conducto es de 10 m. Para más información acerca de las instalaciones de mayor longitud, llame a la oficina de Servicio Técnico de Hoshizaki más próxima. (Consulte el manual de instrucciones para los datos de contacto).
- * El condensador no debe instalarse más de 6 m por encima de la altura de la máquina de hielo ni más de 2 m por debajo.



Nota: Si se superan las directrices de instalación recomendadas, se reducirá el rendimiento de la máquina de hielo.

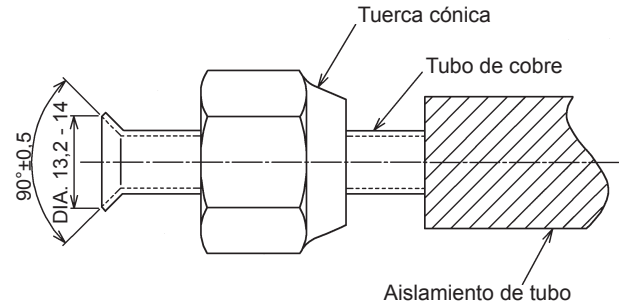
[c] INSTALACIÓN

- 1) Esta unidad condensadora incluye cuatro orificios de montaje. Asegure la unidad condensadora mediante cuatro tornillos.
- 2) Desmonte la tuerca cónica de cada una de las válvulas de acceso de la máquina de hielo y de la unidad condensadora.



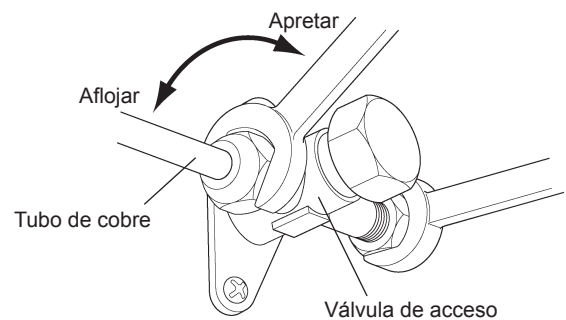
Nota: Quite y deseche las tapas de cobre de las tuercas cónicas.

- 3) Los dos tubos de cobre (9,52 mm DE) que se deben aportar deben aislarse de forma independiente. Coloque las tuercas cónicas en cada extremo de los tubos y abocine los extremos de los tubos.



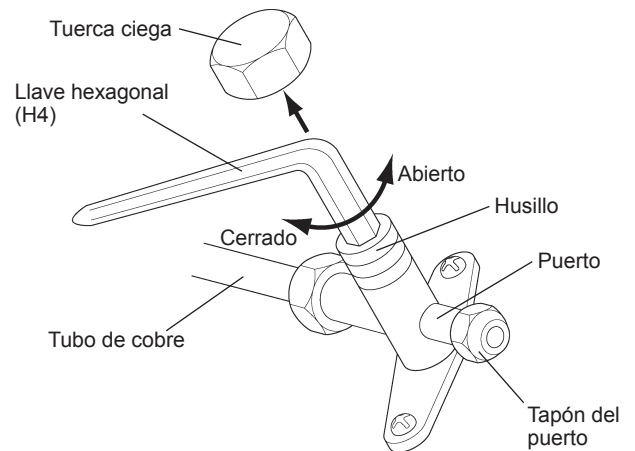
Nota: Los extremos de los tubos que deben abocinarse no deben presentar daños, grietas, rebabas, grasa ni residuos.

- 4) Conecte los tubos de cobre abocinados a la máquina de hielo y la unidad condensadora. Ambos tubos tienen el mismo diámetro; por eso márkelos para distinguir el conducto de gas del conducto de líquido y evitar una conexión incorrecta. Aplique aceite refrigerante limpio adecuado para las superficies de la tuerca cónica antes de conectar y apretar. Sujete la válvula de acceso mediante una llave sobre las superficies planas al apretar las tuercas.



- Nota:
1. Apriete las tuercas cónicas hasta un apriete de 38 ± 4 Nm.
 2. Compruebe las marcas de distinción en ambos extremos de cada tubería de cobre para asegurarse de que las conexiones son correctas.
 3. Los tubos no deben vibrar. Sujete o asegure los tubos para evitar la tensión.

- 5) Retire los tapones del puerto del manómetro de servicio desde las válvulas de acceso de la máquina de hielo. Vacíe los conductos por los puertos del manómetro durante 20 minutos a un máximo de 0,1 torr. Cargue ambos conductos con refrigerante de vapor R404A a una presión de 1 bar. Añada nitrógeno para aumentar la presión a 15 bar. Compruebe cuidadosamente las juntas mediante un detector de fugas o burbujas de jabón para verificar si hay fugas.



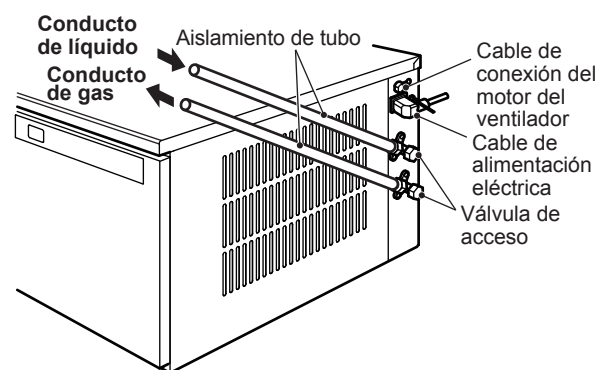
- 6) Vuelva a vaciar los conductos a un máximo de 0,1 torr. Cargue con vapor los conductos hasta 1 o 2 bar con refrigerante R404A. (La carga real dependerá de la longitud del recorrido de los tubos).

Carga base de hasta 10 m: 2.000 g
Carga adicional por cada metro adicional: 40 g

Si la cantidad total de refrigerante precargado de la máquina de hielo y del condensador remoto es de 2.000 g, la carga necesaria de refrigerante será de:
 $40 \text{ g} \times [\text{longitud del recorrido del tubo, de hasta } 10] \text{ m}$

Ejemplo: si la longitud del recorrido del tubo es de 15 m (por ejemplo, en la distancia entre la máquina de hielo y el condensador)

$15 \text{ m} - 10 \text{ m} = 5 \text{ m}$
Carga base = 2.000 g (hasta 10 m de recorrido)
Carga adicional = 40 g/m
Carga necesaria de refrigerante = $40 \text{ g} \times 5 \text{ m} = \underline{200 \text{ g}}$



Una vez finalizada la carga de refrigerante, quite la bombona de carga y los conductos de carga. Vuelva a montar los tapones de puerto y apriételos hasta 10 ± 1 Nm.

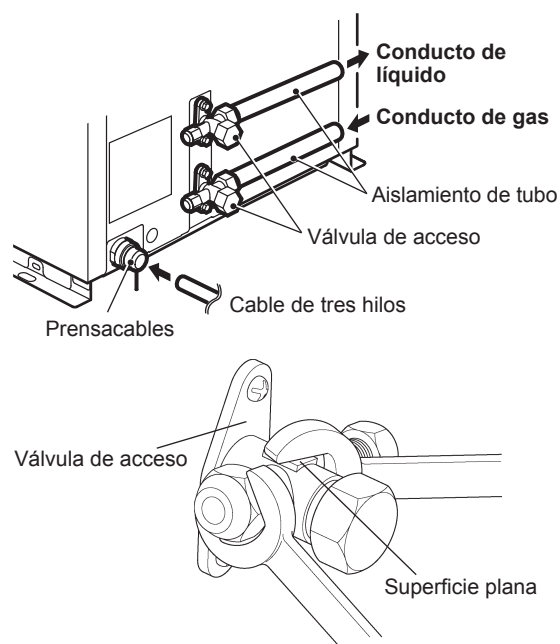
7) Retire las tuercas ciegas de las válvulas de acceso de la máquina de hielo y de la unidad condensadora. Abra las válvulas de los conductos de líquido y de gas girando el husillo mediante una llave hexagonal hasta que se abran completamente.

8) Vuelva a montar las tuercas ciegas apretando hasta un máximo de 25 ± 3 Nm.

9) Compruebe las tuercas ciegas, los tapones de puerto y las juntas cónicas mediante un detector o burbujas de jabón para verificar si hay fugas de gas.

10) Aísle las juntas y séllelas para una correcta estanqueidad.

Nota: Al quitar o montar las tuercas de las válvulas de acceso, sujete las superficies planas de la válvula mediante una llave.



[d] CONEXIONES ELÉCTRICAS

⚠ ADVERTENCIA

ESTA MÁQUINA DEBE CONECTARSE A TIERRA

Esta unidad condensadora remota requiere una conexión a tierra conforme a la normativa eléctrica nacional y local.

Para evitar la posibilidad de fuertes descargas eléctricas a personas o graves averías del equipo, conecte un cable de puesta a tierra adecuado a la máquina de hielo y asegure su continuidad hasta el condensador.

* Conecte el cable de tres hilos para el cableado del motor del ventilador dentro de la caja de conexiones de la unidad condensadora.

* Normalmente son necesarios un permiso para obras eléctricas y los servicios de un electricista acreditado.

1) Quite la tapa de la unidad condensadora remota.

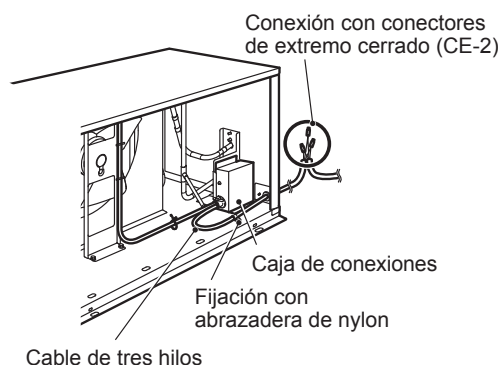
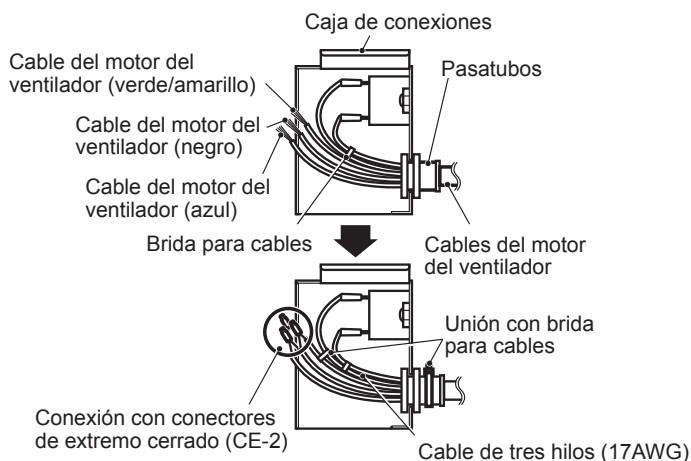
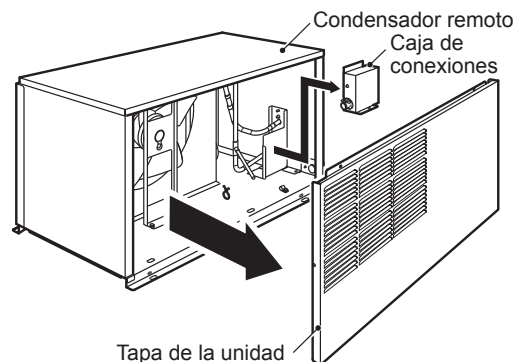
2) Retire la caja de conexiones.

3) Pase el cable de tres hilos a través del casquillo.

4) Pase el cable de tres hilos a través del pasatubos de la caja de conexiones. Conecte los cables del motor del ventilador y el cable de tres hilos usando conectores de extremo cerrado y fije el pasatubos usando una brida para cables. Después de la conexión, compruebe si los conectores de extremo cerrado miran hacia arriba.

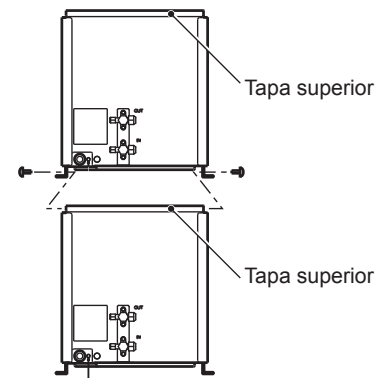
5) Sujete el cable de tres hilos en su posición utilizando un prensacables.

6) Coloque la tapa de la unidad condensadora remota.



[e] ACOPLAMIENTO DE UNIDADES CONDENSADORAS

- 1) Asegure la unidad condensadora inferior.
- 2) Quite la tapa superior de la unidad condensadora inferior. Guarde los cuatro tornillos de la tapa superior.
- 3) Acople la unidad condensadora superior sobre la inferior.
- 4) Asegure la unidad condensadora superior mediante los cuatro tornillos de la tapa superior.
- 5) Instale conductos de refrigerante y haga las conexiones eléctricas para cada motor del ventilador.

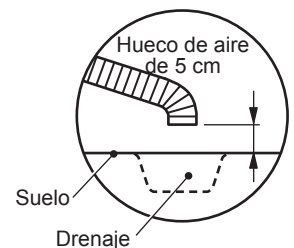


9. SUMINISTRO DE AGUA Y CONEXIONES DE DRENAJE

⚠ ADVERTENCIA

Conecte la máquina únicamente a un suministro de agua fría potable.

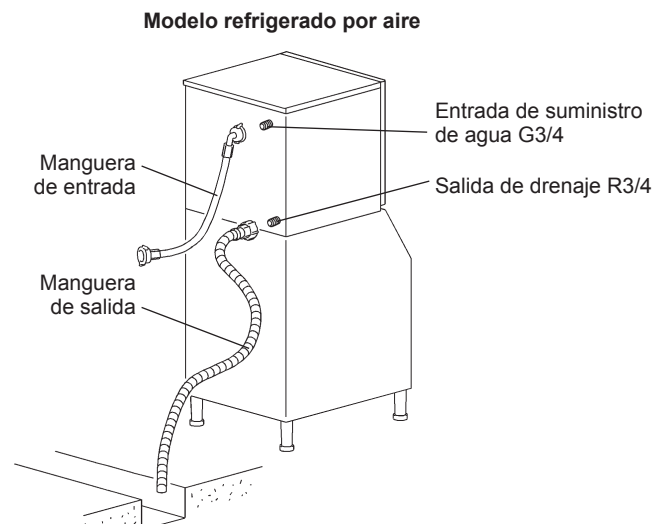
- * La conexión a la red de suministro general de agua debe hacerse según la regulación vigente de cada país en materia de suministro de agua o racores.
- * El agua de la máquina de hielo debe ser potable. En los casos en los que la acumulación de sarro se deba a la calidad del agua:
 - Se recomienda la instalación de un descalcificador o un filtro externo. Póngase en contacto con un profesional en el tratamiento de aguas local o con un agente de servicio de Hoshizaki.
 - Se recomienda el cambio al modo de "aclorado con drenaje completo". Póngase en contacto con el servicio técnico de Hoshizaki de su zona.
- * La presión del suministro de agua debe ser de 0,07 MPa (0,7 bar) como mínimo y 0,8 MPa (8 bar) como máximo. Si la presión es superior a 0,8 MPa (8 bar), utilice una válvula reductora adecuada. **NO** trate de reducir la presión actuando sobre la llave de paso.
- * En algunas localidades pueden ser necesarios un permiso para obras de fontanería y los servicios de un fontanero acreditado.
- * El drenaje de la máquina de hielo se realiza por gravedad, de modo que la manguera de drenaje debe disponer de la pendiente y altura adecuadas.
- * Las tuberías no deberían instalarse directamente al drenaje. Debe quedar un hueco de aire vertical de al menos 5 cm entre el extremo de las mangueras de drenaje de la máquina de hielo y la cuba de almacenamiento y el drenaje del suelo.
- * Se debe evitar el retorno de flujo a la cuba de almacenamiento.
- * En los modelos refrigerados por agua, puede ser necesario instalar un dispositivo que impida el reflujo en el circuito de agua de refrigeración.



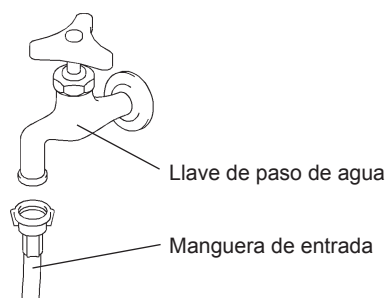
- * Asegúrese de que utiliza los tubos nuevos que se suministran con el equipo. No reutilice ninguna manguera antigua.

[Modelo refrigerado por aire]

- 1) Una el extremo acodado de la manguera flexible de entrada (accesoria) al racor G3/4 en la parte trasera de la máquina de hielo, tal como se muestra, verificando que la junta de goma quede correctamente colocada. Apriete a mano lo suficiente para conseguir una junta estanca.
- 2) Acople el otro extremo de la manguera de entrada al colector de agua, comprobando, antes de apretar a mano como se indica anteriormente, que la junta esté bien colocada. Como medida de precaución, es conveniente tener a mano una válvula de cierre.



3) Apriete a mano la manguera flexible gris de salida (accesoria) en el racor R3/4 en la parte trasera de la máquina de hielo tal como se muestra, verificando que la arandela de goma quede correctamente colocada para obtener una conexión estanca. Puede cortar la manguera a la longitud necesaria ajustándolo a la posición del drenaje principal.



[Modelo refrigerado por agua]

* Hoshizaki recomienda conectar el condensador refrigerado por agua a un sistema de refrigeración de circuito cerrado que utilice una torre, refrigerador de agua o similar. La admisión de agua debe efectuarse mediante una disposición con válvula de bola/depósito de vaciado.

* Aunque conectar un condensador refrigerado por agua a la red de suministro general de agua (potable) no afectará al funcionamiento de la máquina, con toda probabilidad provocará un alto consumo/desperdicio de un recurso valioso, por lo que no se recomienda.

* Para asegurar una correcta instalación debe recurrirse a los servicios de un fontanero acreditado.

* Las conexiones deben efectuarse adecuadamente y conforme a las normativas nacionales o locales vigentes.

[a] Conexiones estándar de acuerdo con las normativas WRAS en el Reino Unido.

* Para seleccionar una torre de refrigeración, remítase a los valores máximos siguientes de flujo de calor en el condensador:

Modelo IM-240AW: 5235 W

* Los tubos entre la torre de refrigeración y la máquina de hielo deben tener un diámetro mínimo de 20 mm a fin de reducir la pérdida de presión, aun cuando los racores de la máquina tengan un diámetro de 13 mm.

* La pérdida de presión en el circuito de agua en el interior de la unidad será de 5-6 m cuando el agua de refrigeración circule a 4-5 l/min.

* Seleccione una bomba de circulación conforme a los valores anteriormente indicados de flujo de calor.

* No utilice una bomba en cascada, puesto que el regulador de agua alterará el caudal y lo detendrá durante el ciclo de descongelación.

[Conexiones de la máquina de hielo]

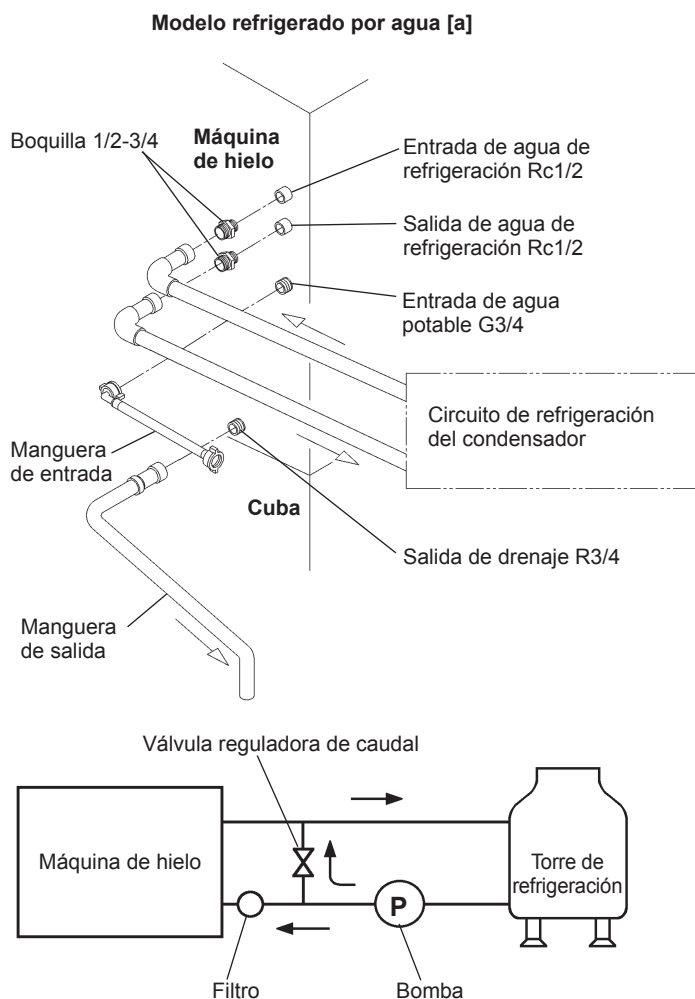
1) Una el extremo acodado de la manguera flexible de entrada (accesoria) al racor G3/4 en la parte posterior de la máquina de hielo, tal como se muestra, verificando que la junta de goma quede correctamente colocada. Apriete a mano lo suficiente para conseguir una junta estanca.

2) Acople el otro extremo de la manguera de entrada al colector de agua, comprobando, antes de apretar a mano como se indica anteriormente, que la junta esté bien colocada.

Nota: Si se utiliza un filtro o tratamiento del agua, asegúrese de que sólo se suministre agua tratada a la parte de fabricación de hielo y no al condensador.

3) Una la manguera gris de salida (accesoria) en el racor R3/4 en la parte posterior de la máquina de hielo, tal como se muestra, verificando que la junta de goma quede correctamente colocada antes de apretar a mano la unión. Puede cortar la manguera a la longitud necesaria ajustándolo a la posición del drenaje principal.

4) Con unos alicates o una llave adecuada, apriete las boquillas 1/2-3/4 (accesorias) a los racores Rc1/2 de la parte posterior de la máquina, tal como se muestra. Debe utilizarse cinta P.T.F.E. y/o un compuesto sellador adecuado para obtener una junta estanca.



Nota: Los componentes de la junta deben ser adecuados y deben estar homologados para uso con agua potable.

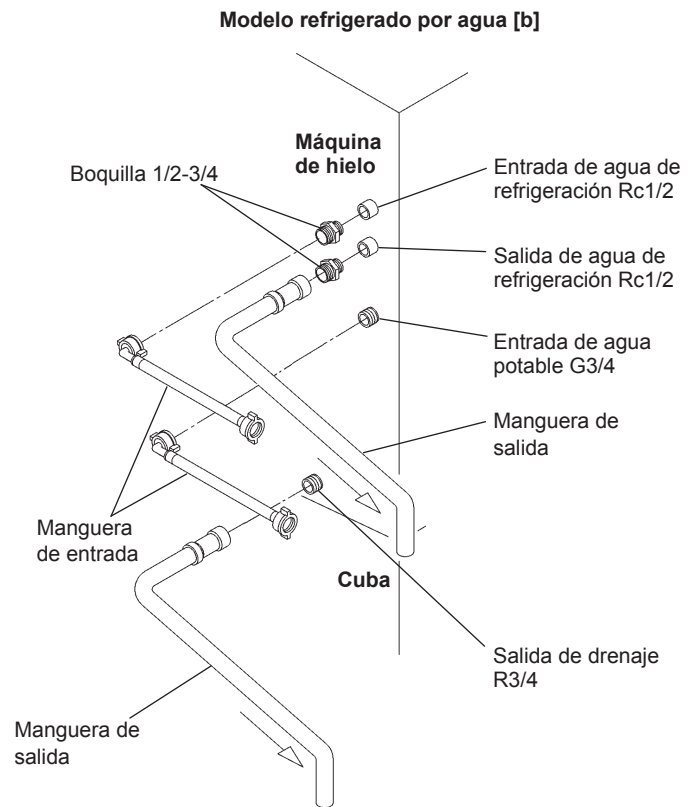
- 5) Conecte el circuito de refrigeración del condensador al extremo libre de las boquillas 1/2-3/4 como se muestra con un tubo rígido de tipo adecuado.

[b] Conexiones conforme a normativas diferentes a WRAS con mangueras accesorias

- 1) Siga los pasos 1) a 4) descritos anteriormente en [a].
- 2) Para las conexiones del condensador utilice los tubos accesorios que se suministran y realice las mismas conexiones de la 1) a la 3) del apartado [a] anterior en el extremo libre de las boquillas 1/2-3/4 como se muestra.

10. PROCEDIMIENTO DE PUESTA EN MARCHA

- 1) Abra la llave de paso del agua.
- 2) Conecte y active la alimentación eléctrica.
- 3) La pantalla muestra la palabra de encendido "on".
- 4) Debería producirse la siguiente secuencia:
 - a) La válvula de gas caliente se abre.
 - b) El compresor arrancará después de 30 segundos.
 - c) La bandeja de agua se abre completamente.
 - d) La electroválvula del agua se abre.
 - e) La bandeja de agua empieza a cerrarse (válvula de gas caliente cerrada).
 - f) Bandeja de agua completamente cerrada - El motor de la bomba se pone en marcha.
 - g) La electroválvula del agua se cierra.



⚠ HIGIENE

Compruebe el estado y la calidad de la producción de hielo.

No use el hielo obtenido durante el periodo de prueba. Puede estar contaminado con cuerpos extraños del circuito del agua. Deseche o lave con agua el drenaje.

Limpie la cuba de almacenamiento antes de utilizarla (véase "III. 1. LIMPIEZA" en el Manual de instrucciones).

11. COMPROBACIONES FINALES

- 1) Compruebe que el voltaje sea correcto.
- 2) Compruebe que la máquina de hielo esté correctamente conectada a tierra.
- 3) Compruebe que la máquina de hielo no vibre.
- 4) Compruebe que los paneles estén bien fijados.
- 5) Compruebe que el funcionamiento sea correcto de acuerdo con "10. PROCEDIMIENTO DE PUESTA EN MARCHA".
- 6) Verifique el suministro de agua y las conexiones de drenaje en busca de fugas.
- 7) Indique al usuario el uso correcto de la máquina. Entregue el manual de instrucciones al usuario.

INFORMAZIONI IMPORTANTI SULLA SICUREZZA

All'interno del manuale compaiono degli avvertimenti che intendono attirare l'attenzione dell'operatore su situazioni che potrebbero causarne la morte, lesioni gravi o danneggiare l'apparecchio.

▲AVVERTENZA	Indica una situazione pericolosa che, se non evitata, potrebbe causare la morte o lesioni gravi.
▲ATTENZIONE	Indica una situazione pericolosa che, se non evitata, potrebbe causare lesioni di lieve o media entità.
AVVISO	Indica una situazione pericolosa che, se non evitata, potrebbe causare danni all'unità.
▲IGIENE	Indica importanti precauzioni per l'igiene e la sicurezza alimentare.
IMPORTANTE	Indica informazioni importanti in merito all'uso e alla manutenzione dell'unità.

IMPORTANTE

Al fine di installare il prodotto in modo sicuro e corretto, si raccomanda di leggere prima attentamente il presente manuale e di seguire le istruzioni in esso contenute.

Una volta completata l'installazione, avviare la macchina per verificare che non presenti anomalie. Istruire l'utente in merito all'uso e alla manutenzione della macchina in conformità a quanto riportato nel manuale.

Il presente manuale deve essere consegnato all'utente dopo l'installazione, perché lo conservi insieme al manuale di istruzioni per eventuali necessità di consultazione.

▲AVVERTENZA

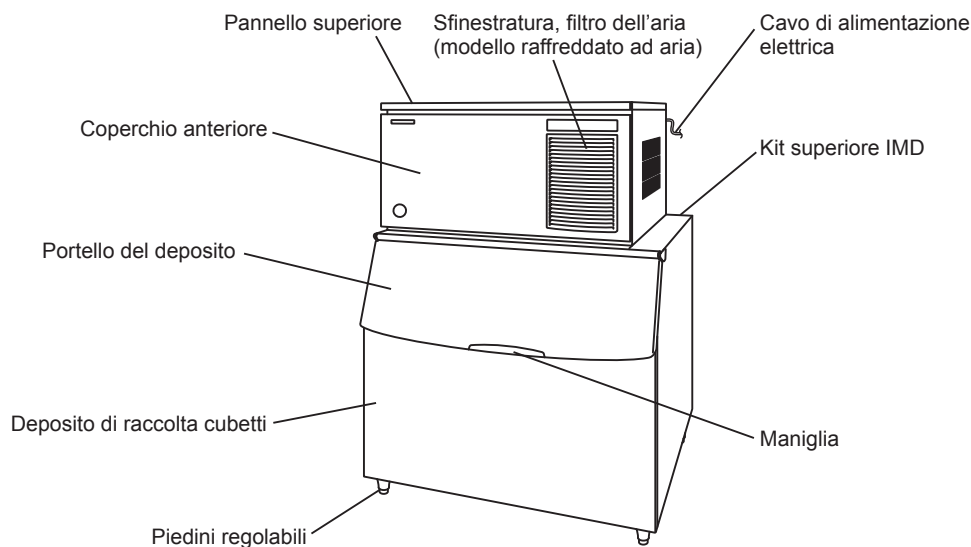
Questa è una macchina industriale e deve essere utilizzata esclusivamente per gli impieghi per la quale è stata espressamente progettata e collegata a un deposito di raccolta cubetti appropriato specificato da Hoshizaki.

Qualunque altro impiego è da considerarsi improprio e pertanto pericoloso. La casa costruttrice declina ogni responsabilità per eventuali danni provocati da uso improprio, non corretto o sconsiderato.

L'installazione e, se necessario, lo spostamento, devono essere eseguiti da personale specializzato, in conformità alle norme vigenti e alle istruzioni della casa costruttrice.

Mantenere prive di ostruzioni le aperture di ventilazione della custodia della macchina o della struttura incorporata.

1. COMPONENTI



2. ACCESSORI

	IM-240DNE(-C)	IM-240DWNE(-C)	IM-240DSNE	IM-240XNE	IM-240XWNE	IM-240XSNE
CD	1	1	1	1	1	1
Tubo di entrata	1	2	1	1	2	2
Tubo flessibile d'uscita	1	2	1	1	2	2
Attacco 1/2-3/4	-	2	-	-	2	2
Scivolo per ghiaccio	-	-	-	1	1	1
Staffa di fissaggio	2	2	2	-	-	-
Bullone a testa esagonale con rondelle 5 x 12	2	2	2	-	-	-
Bullone 8 x 16	2	2	2	2	2	2
Dado	2	2	2	2	2	2
Rondella in plastica	4	4	4	4	4	4
Bullone a testa esagonale con rondelle 4 x 10	-	-	-	4	4	4
Morsetto in plastica	-	-	-	2	2	2



3. DISIMBALLAGGIO

⚠AVVERTENZA

Tenere gli elementi d'imballaggio (sacchetti in plastica e polistirolo espanso) lontano dalla portata dei bambini, perché potenzialmente pericolosi.

⚠ATTENZIONE

Non sollevare o maneggiare il cartone mediante il nastro d'imballaggio.

Quando si sposta l'unità manualmente, rimuovere i pannelli e afferrare l'intelaiatura dell'unità.

Indossare sempre guanti protettivi per trasportare l'unità.

Per evitare il rischio di lesioni, lavorare sempre in coppia quando si movimenta la scatola o l'unità disimballata.

AVVISO

Rimuovere il cartone d'imballaggio, il nastro/i e l'imballaggio. La macchina non funziona in modo corretto se non si rimuove tutto il materiale d'imballaggio.

Nota: la macchina deve essere dotata di un deposito di raccolta cubetti. Hoshizaki consiglia i seguenti depositi di raccolta cubetti:

B801SA (Kit superiore IMD)----- IM-240D/IM-480D/IM-720D

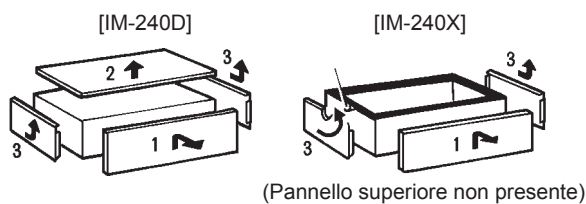
B700SF ----- IM-240D/IM-480D

B800SF (Kit superiore 4)----- IM-480D/IM-720D

B900SF (Kit superiore 8)----- IM-480D/IM-720D

1) Dopo la rimozione dell'imballaggio, accertare che la macchina e il deposito di raccolta cubetti siano in buone condizioni. Qualora sorgano dubbi in merito, non utilizzare la macchina ma rivolgersi a personale qualificato. Per le indicazioni di disimballaggio e installazione si veda il relativo foglio d'istruzioni allegato al deposito di raccolta cubetti.

2) Smontare i pannelli della macchina per accedere al kit accessori e per agevolare l'installazione.

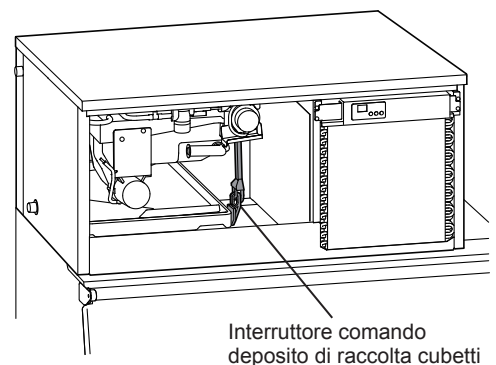


- a) Coperchio anteriore: rimuovere la vite o le viti. Sollevare e tirare verso di sé.
- b) Pannello superiore: rimuovere la vite o le viti. Sollevare.
- c) Pannello laterale: rimuovere la vite o le viti [solo IM-240X]. Far scorrere leggermente in avanti, quindi sollevare.
- d) Pannello posteriore: non è necessario rimuoverlo.

3) Rimuovere l'imballaggio contenente gli accessori. Verificarne il contenuto secondo quanto riportato al punto "2. ACCESSORI".

4) Togliere il nastro adesivo che fissa l'interruttore di controllo deposito.

5) Rimuovere dalla parte esterna la pellicola protettiva in plastica. In caso di esposizione al sole o a fonti di calore, rimuovere la pellicola dopo aver lasciato raffreddare la macchina.



4. UBICAZIONE

⚠AVVERTENZA

La macchina non è adatta per essere utilizzata all'aria aperta.

La macchina non deve essere ubicata in prossimità di forni, grill o altri apparecchi che producono calore.

La macchina non è adatta per l'installazione in un'area in cui è possibile utilizzare un getto d'acqua.

⚠ATTENZIONE

Il pavimento su cui poggia deve garantire alla macchina una base solida e piana.

AVVISO

Non posizionare alcun oggetto sulla sommità della macchina e davanti alla sfinestratura.

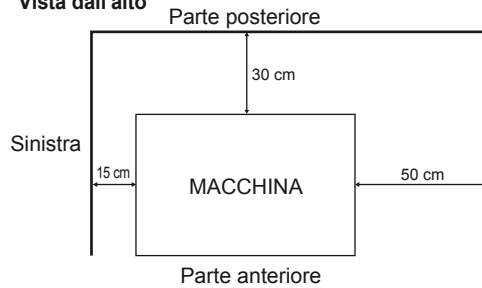
IMPORTANTE

La normale temperatura ambiente d'esercizio deve essere compresa tra 1°C e 40°C. Il collegamento all'approvvigionamento dell'acqua è solo per acqua fredda. Il prolungato funzionamento della macchina con valori che non rientrano nelle gamme previste può comprometterne la capacità di produzione.

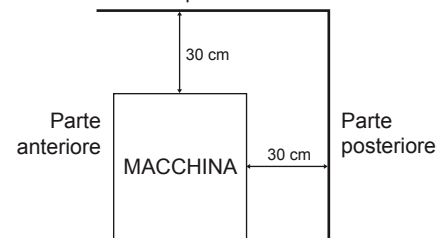
Lasciare uno spazio equivalente a quello sotto specificato in modo da favorire la circolazione dell'aria e le eventuali operazioni di manutenzione o servizio.

[Modello raffreddato ad aria]

Vista dall'alto

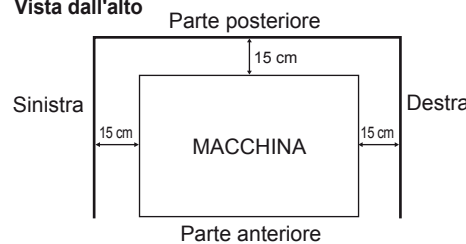


Vista laterale

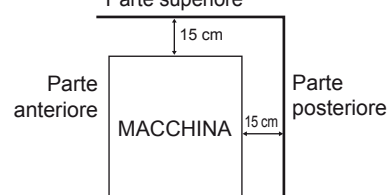


[Modello raffreddato ad acqua]
[Modello remoto raffreddato ad aria]

Vista dall'alto



Vista laterale



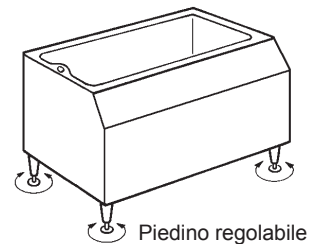
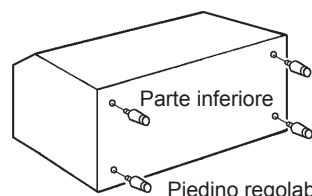
In alcuni ambienti ad alta umidità, all'interno della macchina potrebbe formarsi della condensa che si riversa poi sul pavimento. Non installare la macchina su un pavimento che potrebbe danneggiarsi a causa dell'acqua.

5. INSTALLAZIONE

⚠ATTENZIONE

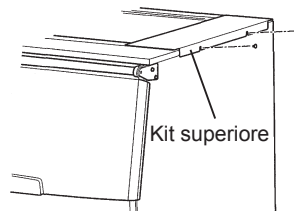
L'installazione non corretta può provocare lesioni alle persone, agli animali e danni materiali, per i quali la casa costruttrice declina ogni responsabilità.

1) Appoggiare con cura il deposito di raccolta cubetti sul lato posteriore al fine di prevenire eventuali danni. Fissare i quattro piedini regolabili (in dotazione con il deposito) nei quattro fori filettati sul lato inferiore del deposito.



2) Posizionare il deposito di raccolta cubetti nell'ubicazione permanente scelta e regolarlo nelle direzioni sinistra-destra e anteriore-posteriore.

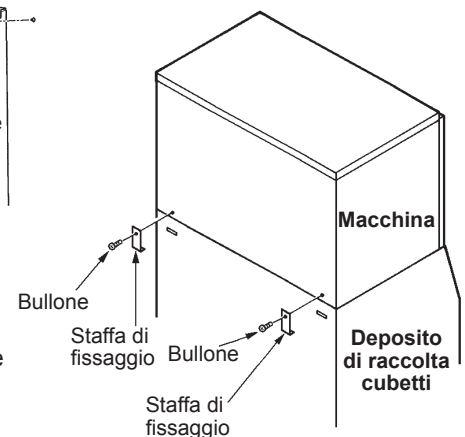
3) Utilizzare le viti fornite in dotazione sul lato sinistro e destro del deposito di raccolta cubetti per installare il kit superiore.



4) Smontare i pannelli della macchina. Non è necessario smontare il pannello posteriore per l'installazione. Vedere "3. DISIMBALLAGGIO".

5) Posizionare la macchina sulla parte superiore del deposito di raccolta cubetti. Prestare attenzione a non danneggiare l'intelaiatura della macchina e l'interruttore di controllo deposito.

6) Fissare la macchina al deposito di raccolta cubetti posteriormente, servendosi delle staffe di montaggio e dei bulloni in dotazione.



7) Posizionare i pannelli della macchina nel modo corretto.

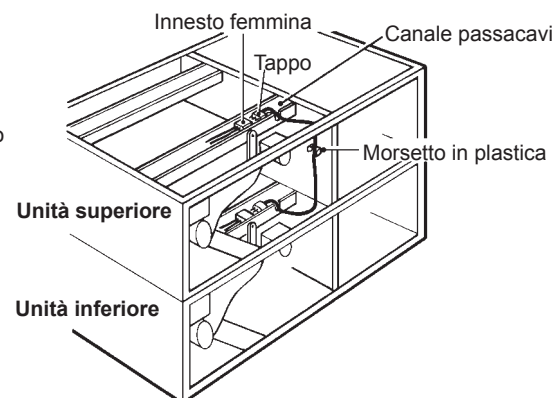
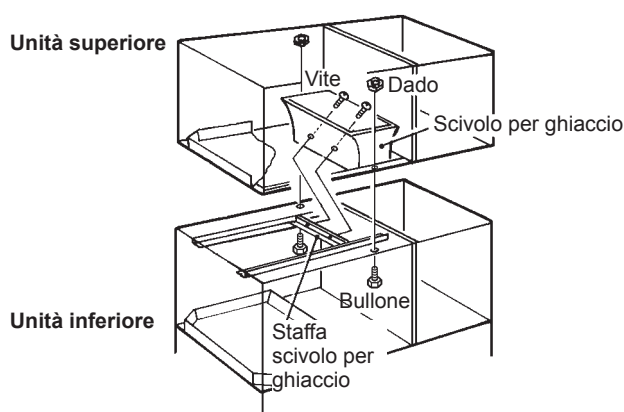
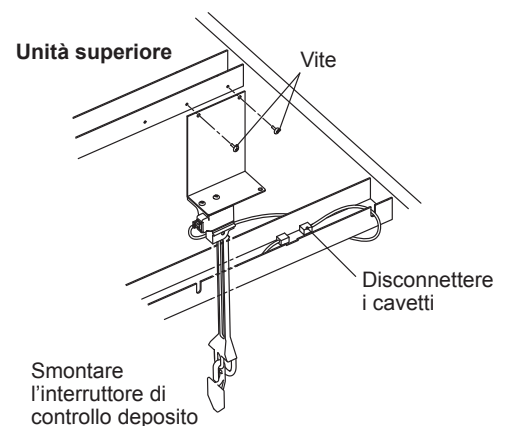
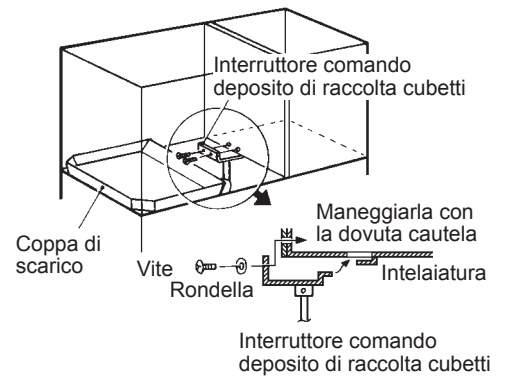
6. SOVRAPPOSIZIONE DI MACCHINE

AVVISO

Verificare i modelli delle macchine. Per sovrapporre due macchine, sono necessarie una macchina di tipo D e una macchina di tipo X. Per sovrapporre tre macchine, sono necessarie una macchina di tipo D e due macchine di tipo X. La macchina di tipo D è progettata per costituire l'unità superiore, mentre la macchina di tipo X è progettata per costituire l'unità centrale e quella inferiore.

Le macchine di tipo D e di tipo X sono dotate di due tipi differenti di interruttore di controllo deposito. Per sovrapporre le macchine, utilizzare l'interruttore di controllo deposito delle macchine di tipo X inferiore e centrale. L'interruttore di controllo deposito deve essere rimosso dall'unità superiore. Il collegamento errato o il mancato collegamento delle macchine può provocare gravi danni alle unità, con conseguenti problemi di funzionamento.

- 1) Preparare il deposito di raccolta cubetti e posizionarlo come descritto nei passaggi 1), 2) e 3) in "5. INSTALLAZIONE".
- 2) Smontare i pannelli della macchina. Non è necessario smontare il pannello posteriore per l'installazione. Vedere "3. DISIMBALLAGGIO".
- 3) Collegare l'unità inferiore (tipo X) sulla parte superiore del deposito di raccolta cubetti.
- 4) Fissare l'unità inferiore (tipo X) al deposito di raccolta cubetti posteriormente, servendosi delle staffe di montaggio e dei bulloni in dotazione.
- 5) Togliere il nastro adesivo che fissa l'interruttore di controllo deposito sulla coppa di drenaggio. Collegare l'interruttore di controllo deposito all'intelaiatura che si trova nella parte inferiore sinistra del condensatore e fissarlo servendosi delle due viti e delle due rondelle in dotazione.
- 6) Prima della sovrapposizione scollegare i cavetti dell'interruttore di controllo deposito (con spina a tre vie) dall'unità superiore o centrale. Togliere le viti e l'interruttore di controllo deposito. Quando vengono sovrapposte due o tre macchine, per l'unità superiore non è necessario l'interruttore. Tenerlo dopo averlo smontato.
- 7) Collegare l'unità superiore o quella centrale sull'unità inferiore.
- 8) Fissare le due unità con i due bulloni e i due dadi in dotazione.
- 9) Posizionare lo scivolo per ghiaccio (accessorio dell'unità inferiore o centrale) e fissarlo alla staffa con le due viti.
- 10) Collegare i cavetti (con spina a tre vie), situati nel canale passacavi dell'unità inferiore, all'innesto femmina dell'unità superiore (disinseriti al passaggio 6). Fissare i cavetti servendosi del morsetto in plastica in dotazione.



- 11) Posizionare i pannelli della macchina nel modo corretto.

Nota: Se si sovrappongono tre macchine, ripetere le istruzioni 6) - 11) per l'unità superiore. Ricordare che è necessario solo UN controllo deposito indipendentemente dalla configurazione. I cavetti di prolunga del controllo deposito sono precablati con la spina e sono spiralati nel canale di cablaggio di tipo X.

7. COLLEGAMENTI ELETTRICI

⚠ AVVERTENZA

LA MACCHINA DEVE ESSERE COLLEGATA A MASSA

La macchina deve essere collegata a massa in modo da soddisfare le norme elettriche a livello locale e nazionale.

Per prevenire gravi lesioni da scosse elettriche alle persone e seri danni alla macchina, collegare alla medesima un idoneo cavo di massa.

Scollegare l'alimentazione principale prima di eseguire qualsiasi intervento di manutenzione, riparazione o pulizia.

- * Questa macchina richiede un'alimentazione separata a 220 - 240V CA, da 13A. L'alimentazione elettrica deve essere protetta da un interruttore automatico adeguato.
- * Le macchine sovrapposte devono avere ciascuna il proprio innesto femmina, tuttavia devono essere collegate in parallelo allo stesso alimentatore o circuito monofase di portata sufficiente. Inoltre, per evitare fastidiosi scatti, non utilizzare interruttori di sicurezza individuali per ciascuna macchina.
- * Il fusibile della scatola di comando principale è da 5 A e deve essere sostituito esclusivamente da un tecnico di servizio specializzato.
- * Per eseguire interventi elettrici sono solitamente necessari un permesso specifico nonché l'assistenza di un elettricista qualificato.
- * Se il cavo di alimentazione è danneggiato, sostituirlo con un cavo di ricambio reperibile presso il centro assistenza/ricambi Hoshizaki.
- * In conformità ai requisiti dello standard IEC, la massima impedenza del sistema consentita (Z_{max}) sul punto di interfaccia dell'alimentazione elettrica da collegare alla macchina deve essere pari a $0,23+j0,23$ ohm. Determinare, se necessario consultando l'ente di fornitura, se la macchina è collegata solo a un'alimentazione di $0,23+j0,23$ ohm o inferiore.

Solo per il Regno Unito e la Repubblica d'Irlanda

- * I fili del cavo di alimentazione sono colorati in base al seguente codice:
 - verde e giallo = massa
 - blu = neutro
 - marrone = sotto tensione

Dato che i colori dei fili del cavo di alimentazione della macchina possono non corrispondere ai contrassegni colorati che identificano i terminali della spina dell'utente, procedere come segue.

Il filo verde e giallo deve essere collegato al terminale della spina contrassegnato dalla lettera E o dal simbolo \perp o di colore verde o verde e giallo. Il filo blu deve essere collegato al terminale della spina contrassegnato dalla lettera N o di colore nero. Il filo marrone deve essere collegato al terminale contrassegnato dalla lettera L o di colore rosso.

- * Se le prese a muro, nel luogo dell'installazione, non sono adatte alla spina appartenente alla dotazione del prodotto, togliere la spina (tagliandola se è del tipo pressofuso) e sostituirla con una spina adatta.

Se dal cavo di alimentazione elettrica è stata tagliata una spina di tipo non riciclabile, smaltirla. Non cercare di riutilizzarla. Inserire una spina del genere in una qualsiasi altra presa comporta un forte rischio di scosse elettriche.

- * La spina non riciclabile non va mai utilizzata senza aver montato un coprifusibile.

Per individuare il corretto ricambio del coprifusibile smontabile, leggere il numero di riferimento della casa costruttrice impresso sulla spina.

I coprifusibile possono essere reperiti presso il centro assistenza/ricambi Hoshizaki.

I fusibili devono essere di 13 A e con approvazione BS 1362.

8. CONDENSATORE REMOTO

[a] DISIMBALLAGGIO, ISPEZIONE, PREPARAZIONE

- 1) Disimballare e togliere il cartone di consegna, il/i nastro/i e l'imballaggio.

- 2) Smontare il pannello superiore.
- 3) Verificare che non ci sia attrito o contatto tra le linee refrigeranti e le linee o altre superfici e che la lama della ventola giri liberamente.
- 4) Si consiglia di utilizzare le parti e i materiali elencati di seguito.

Cavo

È necessario un cavo di alimentazione a tre vie da 17 AWG (1,0 mm²) per il motorino della ventola che collega la macchina al condensatore (L+N+ $\frac{1}{\text{PE}}$).

Tubazione in rame

Tubazione in rame diossidato al fosforo. Per le linee refrigeranti sono necessari due tubi dello stesso diametro. Per prevenire collegamenti errati, contrassegnare i tubi in modo da distinguere la linea del gas dalla linea del liquido.

9,52 (DE) x 7,93 (DI) - gas

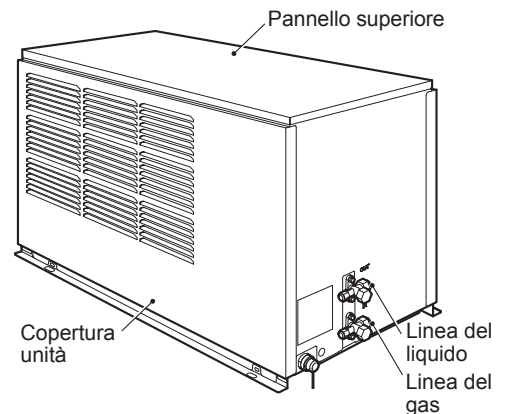
9,52 (DE) x 7,93 (DI) - liquido

Isolamento tubo (per i tubi del gas e del liquido)

Per sostenere temperature fino a 120°C.

Bullone

Quattro bulloni esagonali M8 per fissare il condensatore.

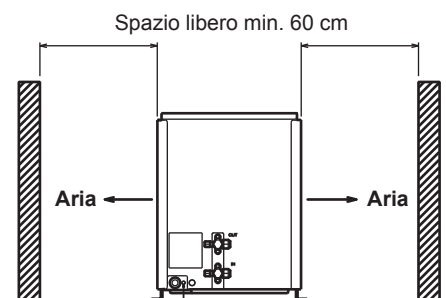


- 5) Non smontare la copertura dell'unità prima di aver completato l'installazione, al fine di prevenire danni al condensatore raffreddato ad aria.

[b] UBICAZIONE

Il condensatore è adatto per essere utilizzato all'aria aperta e necessita di un'ubicazione permanente e ben ventilata secondo le istruzioni che seguono:

- * Selezionare un sito stabile e piano.
- * Non deve essere esposto a condizioni atmosferiche rigide o avverse.
- * È preferibile una zona secca e ben ventilata con uno spazio libero di 60 cm sia sul lato anteriore che sul retro, in modo da favorire le eventuali operazioni di manutenzione o servizio.
- * Normale temperatura ambiente per il condensatore: fra +1°C e +40°C. Le temperature non comprese entro questa gamma operativa potrebbero condizionare la capacità di produzione della macchina.
- * Quando il condensatore viene installato su un tetto, è consigliabile predisporre una base alta 50 cm per prevenire la riflessione del calore e per evitare il contatto con l'acqua.
- * La lunghezza massima della linea è di 10 m. Per informazioni sull'installazione di linee più lunghe, rivolgersi al centro di assistenza Hoshizaki più vicino (per i recapiti, vedere il manuale di istruzioni).
- * Il condensatore non deve essere installato ad un livello superiore di oltre 6 m né a un livello inferiore di oltre 2 m rispetto al piano della macchina.

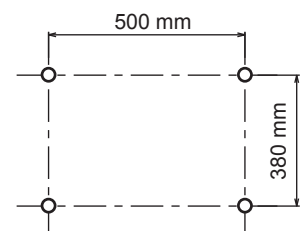


Nota: Il superamento dei limiti indicati nelle istruzioni di installazione potrebbe ridurre le prestazioni della macchina.

[c] INSTALLAZIONE

- 1) Il condensatore è dotato di quattro fori di montaggio. Fissare il condensatore con quattro bulloni.
- 2) Togliere il dado svasato da ciascuna valvola di accesso sulla macchina e sul condensatore.

Nota: smontare ed eliminare i coperchi in rame dei dadi svasati.



ITALIANO

3) I due tubi di rame (DE 9,52 mm) da posizionare in sito devono essere isolati separatamente. Posizionare i dadi svasati su ciascun tubo e svasare le estremità dei tubi.

Nota: le estremità dei tubi da svasare non devono presentare danni, crepe e sbavature né residui di grasso o frammenti.

4) Collegare i tubi in rame svasati sulla macchina e sul condensatore. I due tubi hanno lo stesso diametro. Pertanto, è necessario contrassegnarli in modo da distinguere la linea del gas dalla linea del liquido ed evitare collegamenti errati. Prima di provvedere al collegamento e al serraggio, applicare dell'olio refrigerante pulito di tipo adatto alle superfici della svasatura. Mantenere con una chiave la valvola di accesso sulle superfici piane quando vengono serrati i dadi.

Nota: 1. serrare i dadi svasati a una coppia di 38 ± 4 Nm.
2. Verificare i contrassegni su entrambe le estremità di ciascun tubo di rame per assicurarsi che i collegamenti siano corretti.
3. I tubi non devono vibrare. Fissare o serrare i tubi per prevenire tensioni.

5) Togliere i coperchi degli attacchi manometro dalle valvole di accesso sulla macchina. Svuotare le linee attraverso gli attacchi manometro per 20 minuti a una pressione massima di 0,1 torr. Caricare entrambe le linee con gas refrigerante R404A a una pressione di 1 bar. Aggiungere azoto per portare la pressione a 15 bar. Verificare accuratamente la presenza di eventuali perdite dagli accoppiamenti con un rilevatore di perdite o con delle bolle di sapone.

6) Svuotare nuovamente le linee a una pressione massima di 0,1 torr. Caricare le linee a una pressione di 1 - 2 bar con il refrigerante R404A. (La carica effettiva dipende dalla lunghezza del tubo.)

Carica base fino a 10 m: **2.000 g**
Carica supplementare per ciascun metro aggiuntivo: **40 g**

La quantità totale di refrigerante caricato precedentemente nella macchina e nel condensatore remoto è 2.000 g. Pertanto, è necessario caricare una quantità di refrigerante pari a:
 $40 \text{ g} \times [\text{lunghezza tubo} - 10] \text{ m}$

Esempio: se la lunghezza del tubo è pari a 15 m (corrispondente alla distanza tra la macchina e il condensatore)

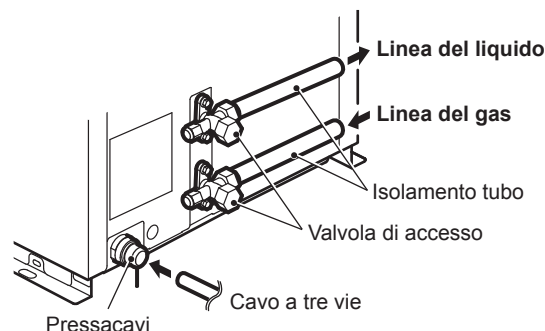
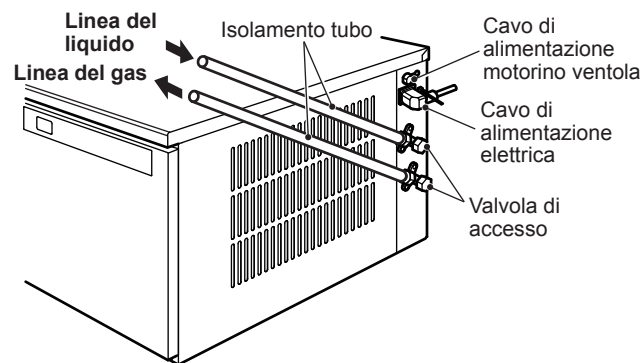
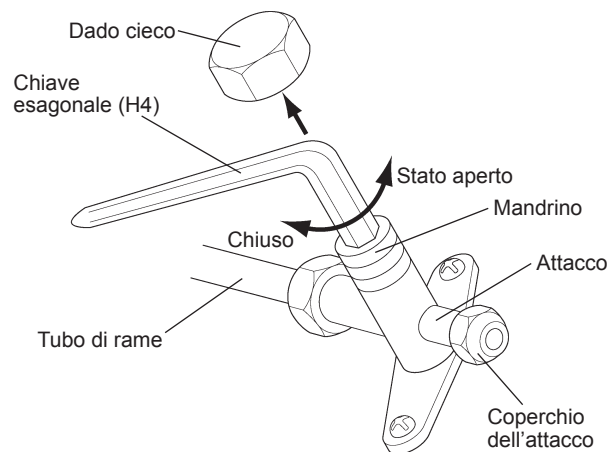
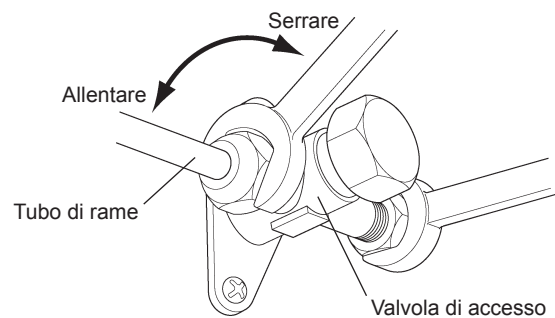
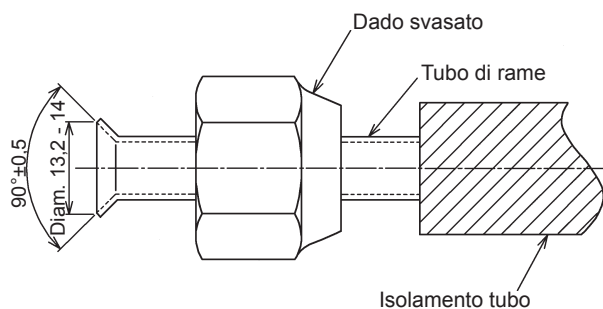
$15 \text{ m} - 10 \text{ m} = 5 \text{ m}$
Carica base = 2.000 g (per una lunghezza fino a 10 m)
Carica supplementare = 40 g/m
Carica di refrigerante necessaria = $40 \text{ g} \times 5 \text{ m} = 200 \text{ g}$

Completata la carica del refrigerante, rimuovere il cilindro e le linee di carica. Rimontare i coperchi degli attacchi e serrarli a una coppia di 10 ± 1 Nm.

7) Togliere i dadi ciechi dalle valvole di accesso sia sul condensatore che sulla macchina. Aprire le valvole delle linee del liquido e del gas ruotando il mandrino con una chiave esagonale fino a completa apertura.

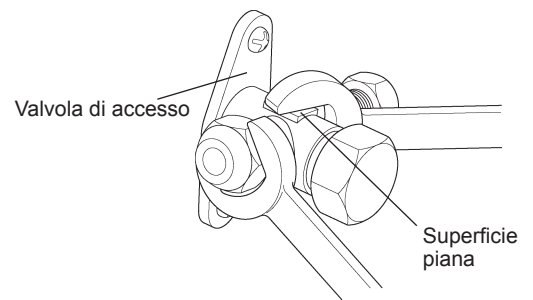
8) Rimontare i dadi ciechi a una coppia di 25 ± 3 Nm.

9) Verificare la presenza di eventuali perdite in corrispondenza dei dadi ciechi, dei coperchi degli attacchi e degli accoppiamenti svasati, utilizzando un rilevatore di perdite o bolle di sapone.



10) Isolare gli accoppiamenti e sigillarli a tenuta d'acqua.

Nota: per smontare o montare i dadi sulle valvole di accesso, trattenere le superfici piane della valvola con una chiave.



[d] COLLEGAMENTI ELETTRICI

⚠ AVVERTENZA

LA MACCHINA DEVE ESSERE COLLEGATA A MASSA

Il condensatore remoto deve essere collegato a massa in modo da soddisfare le norme elettriche a livello locale e nazionale. Per prevenire gravi lesioni da scosse elettriche alle persone e seri danni alla macchina, collegare alla medesima un idoneo cavo di massa e garantire la continuità di funzionamento al condensatore.

* Collegare il cavo a tre vie per il motorino della ventola all'interno della scatola di giunzione del condensatore.

* Per eseguire interventi elettrici sono solitamente necessari un permesso specifico nonché l'assistenza di un elettricista qualificato.

1) Rimuovere la copertura del condensatore remoto.

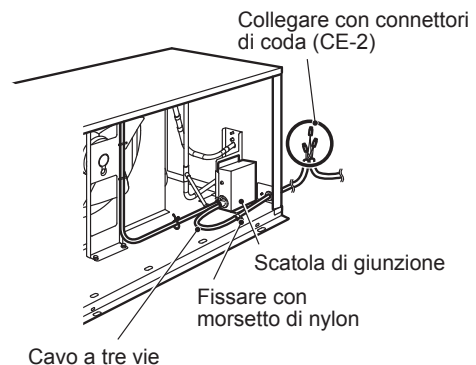
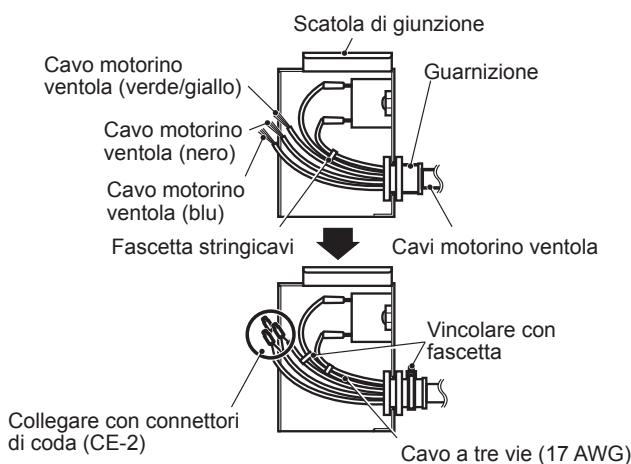
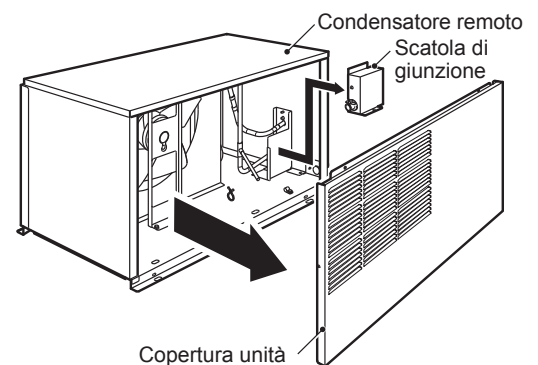
2) Rimuovere la scatola di giunzione.

3) Inserire il cavo a tre vie attraverso la boccola.

4) Inserire il cavo a tre vie attraverso la guarnizione della scatola di giunzione. Collegare i cavi del motorino della ventola e il cavo a tre vie mediante dei connettori di coda e vincolare la guarnizione con una fascetta stringicavi. Dopo aver effettuato i collegamenti, assicurarsi che i connettori di coda siano rivolti verso l'alto.

5) Fissare il cavo a tre vie con il pressacavi.

6) Rimontare la copertura sul condensatore remoto.

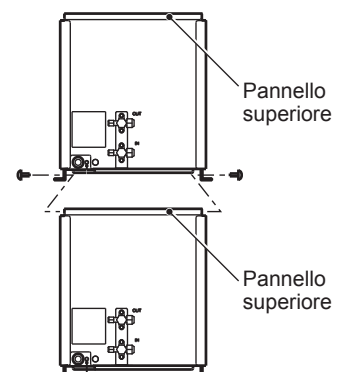


[e] SOVRAPPOSIZIONE DEI CONDENSATORI

1) Fissare il condensatore inferiore.

2) Rimuovere il pannello superiore dal condensatore inferiore. Tenere le quattro viti per il pannello superiore.

3) Collegare il condensatore superiore sulla parte superiore del condensatore inferiore.



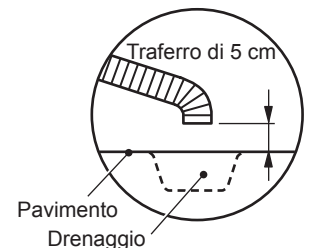
- 4) Fissare il condensatore superiore con le quattro viti per il pannello superiore.
- 5) Installare le linee del refrigerante ed eseguire i collegamenti elettrici per ciascun motorino della ventola.

9. COLLEGAMENTO DI ALIMENTAZIONE DELL'ACQUA E COLLEGAMENTO DI SCARICO

⚠ AVVERTENZA

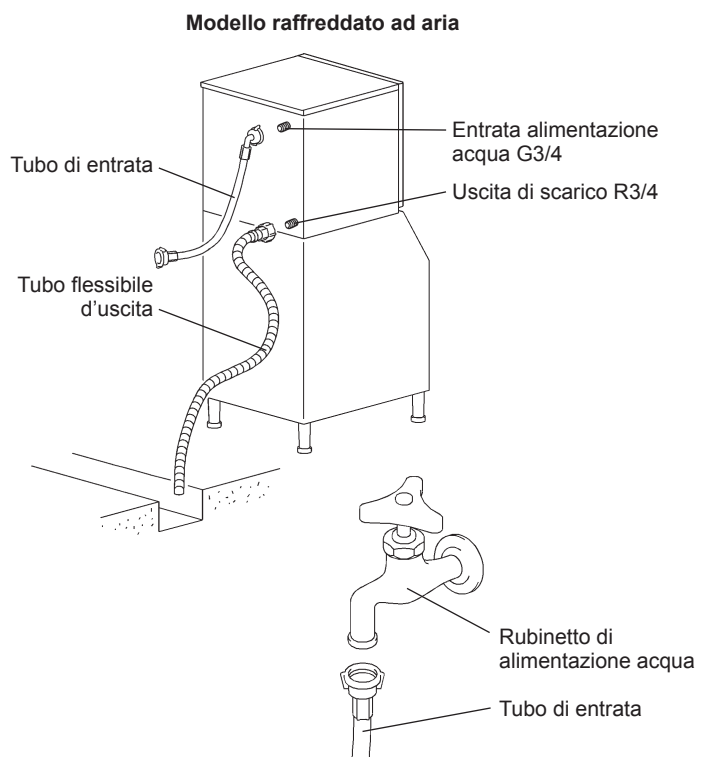
Collegare solo all'approvvigionamento dell'acqua potabile fredda.

- * I collegamenti all'approvvigionamento idrico di rete devono essere eseguiti in conformità ai requisiti vigenti delle norme relative all'approvvigionamento dell'acqua e ai raccordi dell'acqua.
- * L'acqua utilizzata per la fabbricazione del ghiaccio deve essere potabile. Laddove la qualità dell'acqua può causare disincrostazione,
 - è consigliabile l'installazione di un filtro esterno o di un addolcitore. Contattare l'esperto in trattamenti idrici locale o un agente dell'assistenza Hoshizaki.
 - È consigliabile impostare la modalità con scarico completo. Contattare il locale centro di assistenza Hoshizaki.
- * La pressione dell'approvvigionamento dell'acqua deve essere di minimo 0,07 MPa (0,7 bar) e massimo 0,8 MPa (8 bar). Se la pressione è superiore a 0,8 MPa (8 bar), utilizzare una valvola limitatrice di pressione appropriata. **NON** strozzare il rubinetto dell'acqua.
- * In alcune località, per eseguire lavori idraulici sono necessari un permesso specifico nonché l'assistenza di un idraulico qualificato.
- * La macchina è caratterizzata da un flusso di drenaggio a gravità: assicurarsi che il tubo di scarico abbia una pendenza adatta.
- * I circuiti di scarico non devono essere installati direttamente nella rete fognaria. È necessario lasciare un traferro verticale di minimo 5 cm tra l'estremità dei tubi di scarico dalla macchina e il deposito di raccolta cubetti e lo scarico a pavimento.
- * Prevenire un riflusso nel deposito di raccolta cubetti.
- * Nei modelli con raffreddamento ad acqua può essere necessario applicare nell'impianto di raffreddamento un dispositivo contro il riflusso.
- * Assicurarsi di utilizzare i nuovi set di tubi forniti con l'apparecchio. Non riutilizzare i set di tubi vecchi.



[Modello raffreddato ad aria]

- 1) Collegare l'estremità a gomito del tubo di entrata (flessibile, accessorio) al raccordo G3/4, situato sul lato posteriore della macchina, come indicato, facendo attenzione che la rondella di tenuta in gomma sia posizionata in modo corretto. Serrare a mano quanto basta a evitare perdite.
- 2) Collegare al rubinetto dell'acqua l'altra estremità del tubo flessibile di entrata, facendo attenzione che la rondella sia posizionata correttamente prima di serrare a mano come descritto in precedenza. È consigliabile per precauzione inserire una valvola di arresto in posizione facilmente accessibile.
- 3) Serrare a mano il tubo di uscita (flessibile grigio, accessorio) sul raccordo R3/4 sul lato posteriore della macchina come



[Modello raffreddato ad acqua]

- * Hoshizaki consiglia di collegare il condensatore raffreddato ad acqua ad un sistema dell'acqua a circolazione chiusa per mezzo di una torre, un refrigeratore dell'acqua o simile. L'alimentazione dell'acqua deve percorrere il gruppo valvola a sfera/vaschetta dei cascami.
- * Collegare un condensatore raffreddato ad acqua all'alimentazione principale dell'acqua potabile non condiziona le prestazioni della macchina, ma provoca nella maggior parte dei casi un elevato consumo (spreco) di una risorsa preziosa e pertanto non è consigliato.
- * Per assicurarsi che l'installazione sia corretta, rivolgersi ai servizi di un idraulico specializzato e autorizzato.
- * I collegamenti devono essere realizzati in modo corretto, in conformità alle norme in vigore a livello nazionale e locale.

[a] Collegamenti standard conformi alle norme WRAS nel Regno Unito.

- * Nello scegliere una torre di raffreddamento, considerare i seguenti valori di picco del flusso di calore nel condensatore:

Modello IM-240AW: 5235 W

- * I condotti tra la torre di raffreddamento e la macchina devono avere un diametro minimo di 20 mm, in modo da ridurre la perdita di pressione, anche se i raccordi della macchina hanno un diametro di 13 mm.
- * La perdita di pressione nel sistema dell'acqua all'interno dell'unità equivale a 5-6 m, quando l'acqua di raffreddamento scorre alla portata di 4-5 l/min.
- * Scegliere una pompa di circolazione in base ai suddetti valori del flusso di calore.
- * Non utilizzare una pompa in cascata, altrimenti il regolatore d'acqua varia il flusso, arrestandolo durante il ciclo di sbrinamento.

[Connessioni macchina]

1) Collegare l'estremità a gomito del tubo di entrata (flessibile, accessorio) al raccordo G3/4, situato sul retro della macchina, come indicato, facendo attenzione che la rondella di tenuta in gomma sia posizionata in modo corretto. Serrare a mano quanto basta a evitare perdite.

2) Collegare al rubinetto dell'acqua l'altra estremità del tubo flessibile di entrata, facendo attenzione che la rondella sia posizionata correttamente prima di serrare a mano come descritto in precedenza.

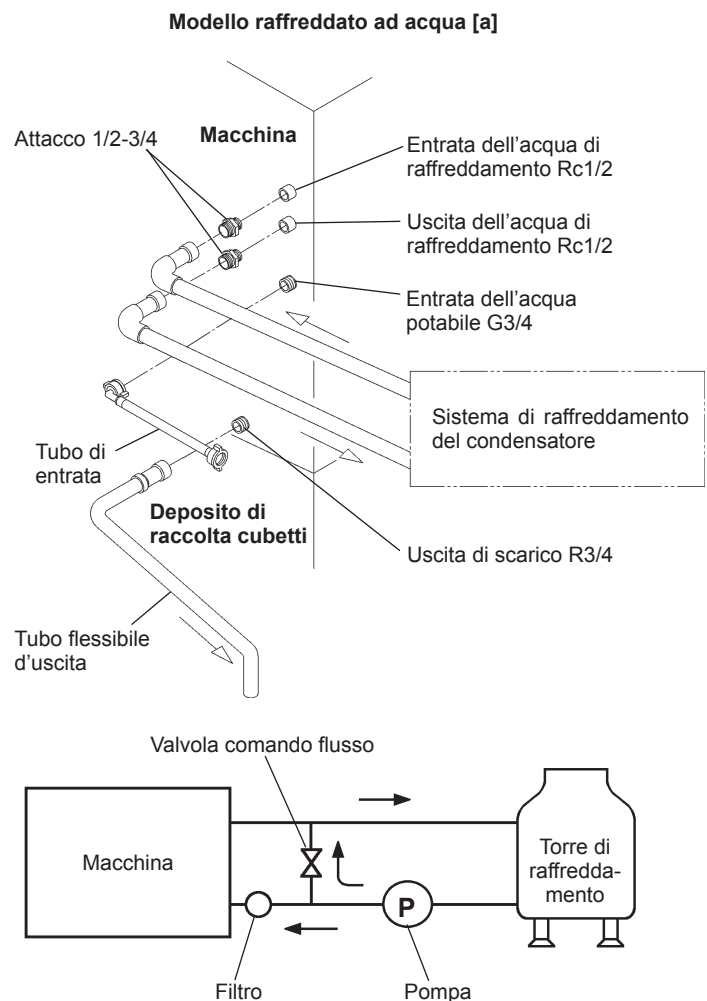
Nota: qualora l'acqua venga filtrata o trattata, assicurarsi che solo la sezione macchina sia collegata all'alimentazione dell'acqua trattata e non il condensatore.

3) Collegare il tubo di uscita (flessibile grigio, accessorio) al raccordo R3/4, situato sul retro della macchina, come indicato, verificando che la rondella in gomma sia posizionata in modo corretto prima di serrare a mano l'accoppiamento. Il tubo può essere tagliato alla lunghezza necessaria per adattarsi alla posizione dello scarico principale.

4) Per mezzo di una chiave adatta, serrare gli attacchi 1/2-3/4 (accessorio) ai condotti Rc1/2, situati sul retro della macchina, come indicato. Per ottenere un accoppiamento a tenuta stagna, utilizzare le apposite guarnizioni e/o il nastro PTFE.

Nota: gli ermetici devono essere approvati e adatti all'uso con acqua potabile.

5) Collegare il circuito di raffreddamento del condensatore all'estremità disponibile degli attacchi 1/2-3/4, come mostrato, per mezzo di un tubo rigido adatto.

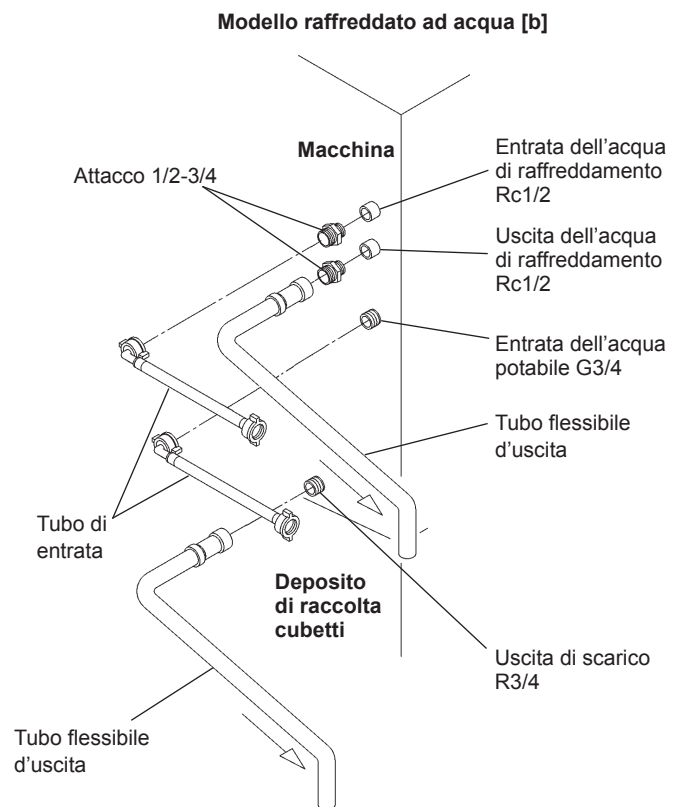


[b] Collegamenti conformi a norme diverse da quelle WRAS mediante tubi ausiliari

- 1) Procedere in base alle istruzioni da 1) a 4) della sezione [a].
- 2) Per i collegamenti del condensatore, utilizzare i tubi ausiliari in dotazione e realizzare gli stessi collegamenti come da 1) a 3) della sezione [a] con le parti disponibili degli attacchi 1/2-3/4, come mostrato.

10. PROCEDURA DI AVVIO

- 1) Aprire il rubinetto dell'acqua.
- 2) Collegare e inserire l'alimentazione elettrica.
- 3) Sul display viene indicato "on".
- 4) Nell'ordine, devono verificarsi le seguenti operazioni:
 - a) La valvola del gas caldo si apre.
 - b) Il compressore si avvia dopo 30 secondi.
 - c) La coppa dell'acqua si apre completamente.
 - d) L'elettrovalvola dell'acqua si apre.
 - e) La coppa dell'acqua inizia a chiudersi (la valvola del gas caldo si chiude).
 - f) La coppa dell'acqua è completamente chiusa; il motorino della pompa si avvia.
 - g) L'elettrovalvola dell'acqua si chiude.



⚠️ IGIENE

Verificare le condizioni e la qualità della produzione di cubetti.

Non utilizzare i cubetti prodotti durante il ciclo di prova. Potrebbero essere contaminati da sostanze estranee presenti nel circuito dell'acqua. Eliminarli o farli scendere nello scarico.

Pulire il deposito di raccolta cubetti prima dell'uso (vedi "III. 1. PULIZIA" nel Manuale di istruzioni).

11. CONTROLLI FINALI

- 1) Verificare la corretta tensione di alimentazione.
- 2) Verificare che la macchina sia collegata a massa in modo corretto.
- 3) Assicurarsi che la macchina sia esente da vibrazioni.
- 4) Assicurarsi che tutti i pannelli siano fissati e bloccati.
- 5) Verificare il corretto funzionamento secondo quanto riportato al punto "10. PROCEDURA DI AVVIO".
- 6) Verificare l'assenza di perdite di acqua nel collegamento di alimentazione dell'acqua e in quello di scarico.
- 7) Istruire l'utente in merito all'utilizzo corretto della macchina. Consegnare il manuale di istruzioni all'utente.



商用组合式方冰制冰机

安装说明书



IM-240DNE

仅供具备相应知识的安装人员使用

- 为安全、正确地执行本产品的安装作业，请务必事先仔细阅读本说明书并严格遵照其中的指示。
- 完成安装后，请启动制冰机确认是否存在异常现象。并根据使用说明书的要求指导用户如何使用和保养制冰机。
- 完成安装后，应将本说明书移交给用户，并由用户妥善保管本说明书和使用说明书，以便必要时参考使用。

生产商： Hoshizaki Europe Ltd.
Telford 70 Stafford Park 7, Telford,
Shropshire TF3 3BQ England

联系人： 星崎冷热机械(上海)有限公司
上海市静安区南京西路580号 南证大厦2802室 200041
电话：(021)5228-8181 传真：(021)5228-0113

IM-240DNE
IM-240XNE
IM-240DWNE
IM-240XWNE
IM-240DSNE
IM-240XSNE
IM-240DNE-C
IM-240DWNE-C

L2E1CK201 (093014)

重要安全须知	1
1. 构造	2
2. 附件	2
4. 位置	3
5. 安装	4
6. 叠放制冰机	5
7. 电气连接	5
8. 远置冷凝机组	6
9. 供水和排水连接	9
10. 启动步骤	11
11. 最终确认事项	11

中文

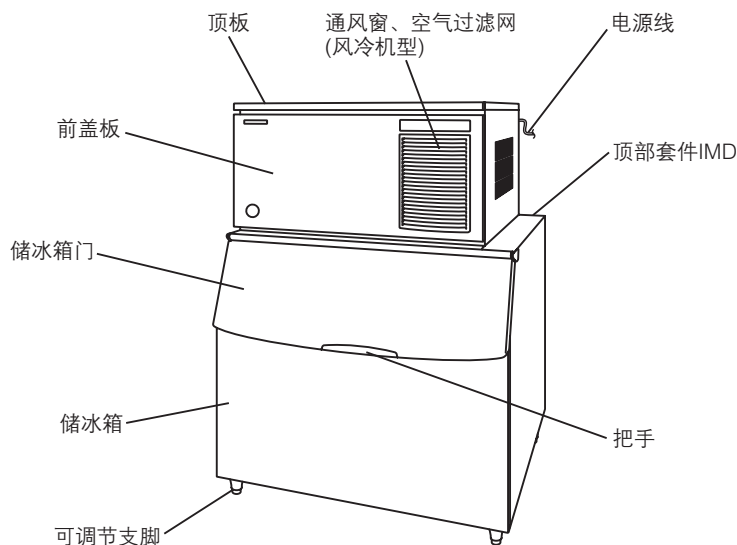
重要安全须知

本说明书提供可能导致死亡、严重受伤或损坏设备的注意事项，请用户使用时注意。

▲警告	表示如不可避免，则可能导致死亡或严重受伤的危险情况。
▲小心	表示如不可避免，则可能导致轻微受伤或中度受伤的危险情况。
注意	表示如不可避免，则可能导致本设备损坏的危险情况。
▲卫生	表示与卫生和食品安全相关的重要预防措施。
重要	表示与使用和维护本设备相关的重要信息。

▲警告	
本制冰机为商用设备，仅适用于该设备所明确设计的用途，且仅可安装到星崎规定的合适的储冰箱上。其它任何用途都被视为不当用途，因而可能造成危险。对因本产品使用不当、使用不正确和不合理所造成的的任何损失，生产商不承担法律责任或相关责任。	
安装及必要时的移机作业，必须交由具备相应知识的作业人员依照现行法规并根据生产商的说明进行。	
保持机体内外通风口畅通无阻。	

1. 构造



2. 附件

	IM-240DNE(-C)	IM-240DWNE(-C)	IM-240DSNE	IM-240XNE	IM-240XWNE	IM-240XSNE
光盘	1	1	1	1	1	1
进水软管	1	2	1	1	2	2
排水软管	1	2	1	1	2	2
1/2-3/4螺纹接头	-	2	-	-	2	2
冰槽	-	-	-	1	1	1
安装支架	2	2	2	-	-	-
带垫圈六角头螺栓5×12	2	2	2	-	-	-
螺栓8×16	2	2	2	2	2	2
螺母	2	2	2	2	2	2
塑料垫圈	4	4	4	4	4	4
带垫圈六角头螺栓4×10	-	-	-	4	4	4
塑料线夹	-	-	-	2	2	2



3. 拆包

警告

包装零件(塑料袋和发泡聚苯乙烯等)存在潜在危险，必须放置到儿童接触不到的地方。

▲小心

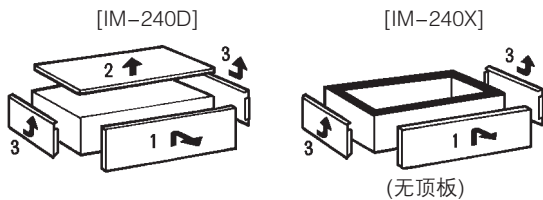
请勿使用搬运带提升或搬动纸箱。
 手动搬动制冰机时，请拆下面板并抓住边框。
 搬运设备时，请戴好防护手套。
 搬运纸箱或拆开包装的设备时，请结伴作业，以防止受伤。

注意

拆除运输包装纸箱、胶带和其它包装材料。如果内部遗留包装材料，制冰机将无法正常工作。

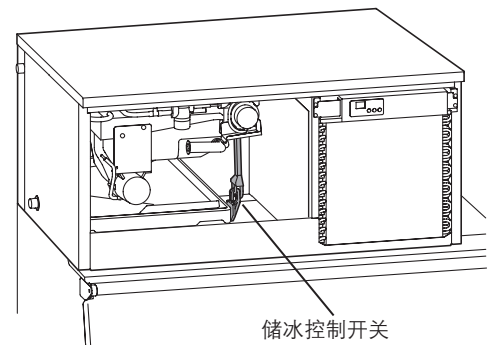
注： 本制冰机需使用储冰箱。星崎推荐使用下列储冰箱：
 B801SA(顶部套件IMD)---IM-240D/IM-480D/IM-720D
 B700SF-----IM-240D/IM-480D
 B800SF(顶部套件4)-----IM-480D/IM-720D
 B900SF(顶部套件8)-----IM-480D/IM-720D

- 1) 拆开包装后，请检查并确认制冰机和储冰箱状态完好。如有任何疑问，请勿使用本产品，而应与具备相应资质的专业人员联系。有关拆包和安装指示，请参见储冰箱附带的使用说明。
- 2) 拆下制冰机面板，以便于触及附件套件和简化安装。



- a)前盖板： 拆下螺钉。将前盖板上提并向外拉动。
- b)顶板： 拆下螺钉。上提并拆下。
- c)侧板： 拆下螺钉[仅限IM-240X]。轻轻向前滑动，然后上提并拆下。
- d)后板： 无需拆下。

- 3) 打开包装的附件。参照“2.附件”检查附件。
- 4) 撕掉固定储冰控制开关的运输用胶带。
- 5) 撕掉外表面的塑料防护膜。如果制冰机暴露于阳光下或热源下，请待制冰机冷却后再撕掉塑料防护膜。



4. 位置

▲警告

本制冰机不适合在户外使用。
 不得将制冰机安装在靠近火炉、烤箱或其它会产生高温的设备附近。
 本产品不适合安装在可能使用喷水器的区域。

▲小心

制冰机应安装在坚实、平坦的地面上。

注意

请勿在制冰机上方或通风窗前方放置任何物品。

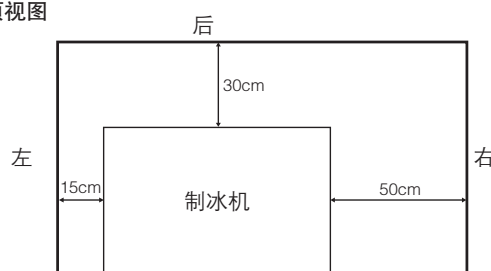
重要

正常工作环境温度应为1℃~40℃。供水管路只可连接冷水。如果制冰机长时间超出上述正常温度范围工作，可能会影响制冰能力。

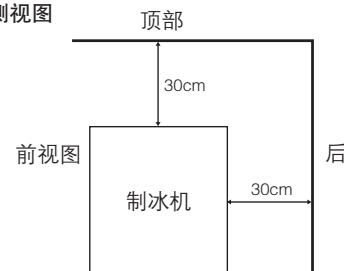
必须留出以下指定的空间，以确保通风顺畅和便于维修保养。

[风冷机型]

顶视图



侧视图

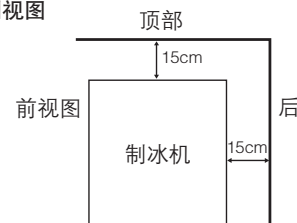


[水冷机型]
[远置式风冷机型]

顶视图



侧视图



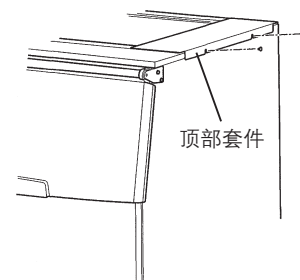
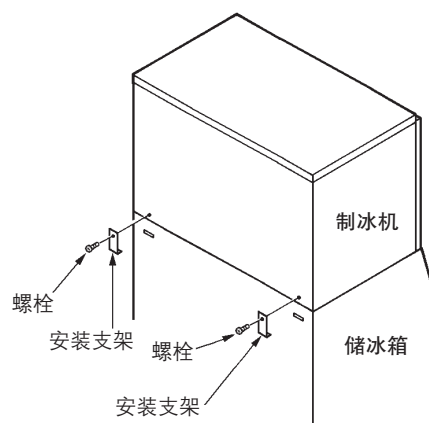
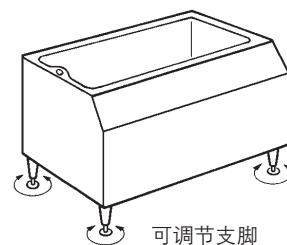
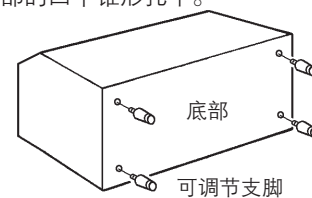
高湿度环境下，机器内部可能会产生冷凝水，从而滴在地上。因此，请勿将其安装在易受滴水影响的地板上。

5. 安装

▲小心

错误的安装会导致人员、动物受伤或其它物品受损，生产商对由此造成的损害不承担责任。

- 1) 请将储冰箱以背面着地放于地上，以防损坏。然后将四个可调节支脚(储冰箱附件)拧入储冰箱底部的四个锥形孔中。
- 2) 将储冰箱放置在固定的位置，使其在前后和左右方向上均保持水平。
- 3) 使用储冰箱左侧或右侧附带的螺钉安装顶部套件。
- 4) 拆下制冰机面板。后面板在安装作业过程中无需拆下。请参见“3. 拆包”。
- 5) 将制冰机置于储冰箱的顶部。小心操作，以免损坏制冰机边框和储冰控制开关。
- 6) 使用附带的安装托架和螺栓，从后面将制冰机固定至储冰箱上。
- 7) 将制冰机面板装回原位。



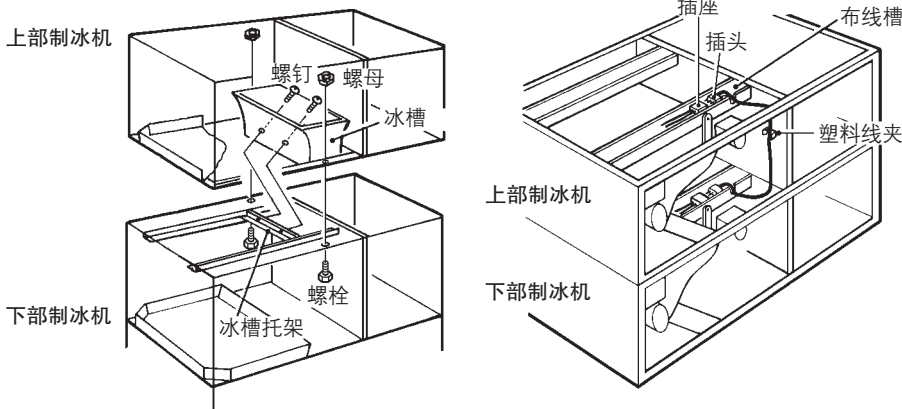
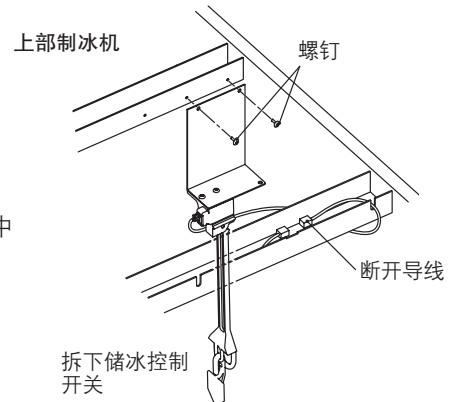
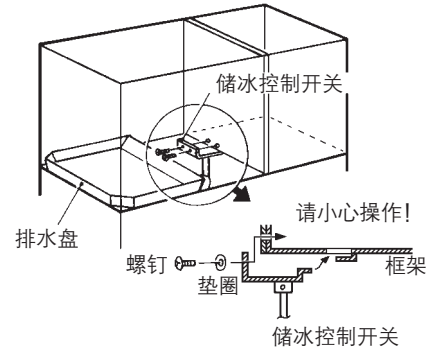
6. 叠放制冰机

注意

请首先检查制冰机的型号。若要实现两机堆叠安装，需使用一台D型制冰机和一台X型制冰机。若要实现三机堆叠安装，需使用一台D型制冰机和两台X型制冰机。其中，D型制冰机位于上部，X型制冰机位于中部和下部。

D型和X型制冰机均配备两种不同类型的储冰控制开关。进行堆叠安装时，请留用下部(和中部)的X型制冰机的储冰控制开关。必须将上部制冰机的储冰控制开关拆下。连接错误或未连接可能会严重损坏制冰机，从而引发故障。

- 1) 按照“5. 安装”中的步骤1)、2)和3)中的详细说明准备并选择合适的位置放置储冰箱。
- 2) 拆下制冰机面板。后面板在安装作业过程中无需拆下。请参见“3. 拆包”。
- 3) 将下部制冰机(X型)置于储冰箱的顶部。
- 4) 使用附带的安装托架和螺栓，从后部将下部制冰机(X型)固定至储冰箱上。
- 5) 拆下排水盘上用于固定储冰控制开关的运输用胶带。将储冰控制开关安装到冷凝机组左下方的边框上，然后使用附带的两个螺钉和两个垫圈进行紧固。
- 6) 叠放制冰机前，请从上部或中部制冰机上断开储冰控制开关导线(带三芯插头)。然后拆下螺钉和储冰控制开关。当叠放两台或三台制冰机时，无需留用上部制冰机的开关。请妥善保管拆下的开关。
- 7) 将上部或中部制冰机置于下部制冰机上方。
- 8) 使用附带的两个螺栓和螺母紧固两台制冰机。
- 9) 安放冰槽(中部或下部制冰机附件)，并使用两个螺钉将其固定至托架上。
- 10) 将位于下部制冰机布线槽中的导线(带三芯插头)连接到上部或中部制冰机的插座中(已在上述步骤6中断开)。然后使用附带的塑料线夹固定导线。



- 11) 将制冰机面板装回原位。

注：若要堆叠三台制冰机，则请按照步骤6)~11)对上部制冰机进行操作。但请记住，无论如何配置，只需一个储冰控制开关即可。储冰控制开关的延长导线已预先压接至插头，并盘绕在X型制冰机的布线槽中。

7. 电气连接

警告

本制冰机必须接地

本制冰机必须按所在国家和地区的电气安全标准进行接地。

为避免造成人体触电或设备严重受损，请在制冰机上正确地连接地线。

进行任何保养、维修或清洁作业前，请切断主电源。

- * 本制冰机需使用单独的电源(220~240VAC/13A)，且必须安装合适的断路器保护电源。
- * 每台堆叠式制冰机均应配备单独的插座，但须并联到电量充足的同一个单相电源上或电路中。此外，为了防止发生误跳闸，每台制冰机还需采用单独的断路器。
- * 主控制箱保险丝的额定电流为5A，必须交由具备相应知识的维修人员进行更换。
- * 通常情况下，应由持有电工资质证书或经授权的维修人员进行作业。
- * 若电源线已破损，则需更换星崎零部件/维修中心提供的电源线。
- * 按照国际电工委员会标准的规定，电源与本制冰机连接的接点处的最大容许系统阻抗(Z_{max})必须为 $0.23+j0.23\Omega$ 。确定所用电源时应咨询电源标准机构。必要时，确保制冰机连接的电源电阻为 $0.23+j0.23\Omega$ 或更小。

8. 远置冷凝机组

[a] 拆包、检查、准备

- 1) 拆除运输包装纸箱、胶带和其它包装材料。
- 2) 拆下顶板。
- 3) 检查冷媒管路是否与其它管路或表面摩擦或接触及风扇叶片是否转动自如。
- 4) 需要如下所示的推荐零部件和材料。

线

制冰机和冷凝机组之间(L+N+ $\frac{1}{2}$)的风扇马达配线需要使用线径为17AWG(1.0mm^2)的三芯线。

铜管

磷脱氧铜管。冷媒管路需要管径相同的两根铜管。请在用于气体管路和液体管路的铜管上绘制清晰的识别标记，以防接错。

9.52(外径)×7.93(内径) - 气体

9.52(外径)×7.93(内径) - 液体

配管隔热材料(用于气体和液体配管)

需具备最高 120°C 的耐热能力。

螺栓

用于紧固冷凝机组的4个M8六角螺栓。

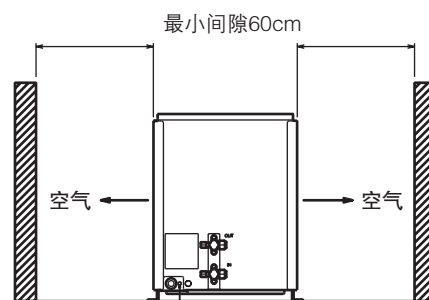
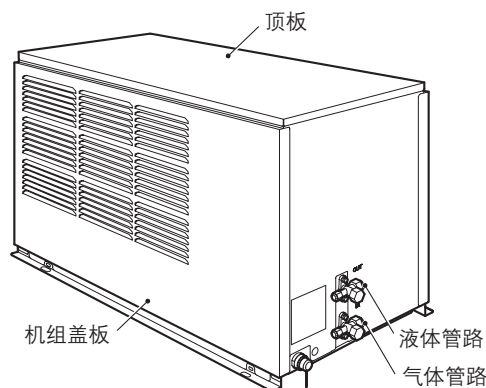
- 5) 完成安装前，请勿拆下机组盖板，以防损坏风冷型冷凝机组。

[b] 位置

本冷凝机组适合在室外使用，必须按照下列规定将其置于通风始终良好的地方：

- * 请选择一处坚实、平坦的安装位置。
- * 应避免将其安装在气候条件恶劣的地方。
- * 最好将其安装在干爽且通风良好的地方，并在前后侧各留出60cm的空间，以便于维修保养。
- * 正常冷凝环境温度为： $+1^\circ\text{C} \sim +40^\circ\text{C}$ 。若超出该温度范围工作，可能会影响制冰机的制冰能力。
- * 当将冷凝机组安装在屋顶上时，建议使用高50cm的底座，以防热反射或机组浸水。
- * 最大管路长度为10m。有关延长管路安装的信息，敬请垂询最近的星崎维修办事处。(参见使用说明书中的详细联系方式。)
- * 冷凝机组不得安装高于制冰机上方6m或低于制冰机下方2m的位置。

注： 如果无法满足建议的安装要求，则可能会导致制冰机性能降低。



[c] 安装

1) 本冷凝机组配有4个安装孔。请利用4个螺栓切实紧固冷凝机组。

2) 拆下制冰机和冷凝机组上各个充灌阀的扩口螺母。

注： 拆下并丢弃扩口螺母上的铜帽。

3) 需现场提供的两根铜管(外径：9.52mm)应单独进行隔热处理。请将扩口螺母分别置于管子的每一端并对管子端部进行扩口处理。

注： 需要进行扩口处理的管子端部应完好无损、无裂纹和毛刺，且应无润滑脂或碎屑。

4) 将已经过扩口处理的铜管连接至制冰机和冷凝机组上。鉴于用于气体管路和液体管路的两根铜管管径相同，因此请在其上绘制清晰的识别标记，以防接错。在连接和紧固之前，请在扩口表面涂抹适量的洁净冷冻机油。紧固螺母时，请使用扳手钳住充灌阀上的平面处，以支承阀门。

注： 1. 将扩口螺母紧固至 $38 \pm 4\text{Nm}$ 扭矩。
2. 检查各根铜管两端的识别标记，以确保连接正确无误。
3. 铜管不应出现晃动现象。请切实固定好各根铜管，以防产生应力。

5) 首先拆下制冰机充灌阀上的检测仪表端口盖，并在最大压力为0.1torr的条件下通过该端口对管路进行20分钟的抽真空操作。然后，在向两条管路中充充气态冷媒R404A并使压力达到1bar后，继续追加充填氮气，以使压力升高至15bar。最后，利用检漏器或肥皂泡全面检测各个接头处的泄漏情况。

6) 首先，在最大压力为0.1torr条件下重新对管路进行抽真空操作。向管路中充填气态冷媒R404A，使压力达到1~2bar。(实际充填量视管长而定。)

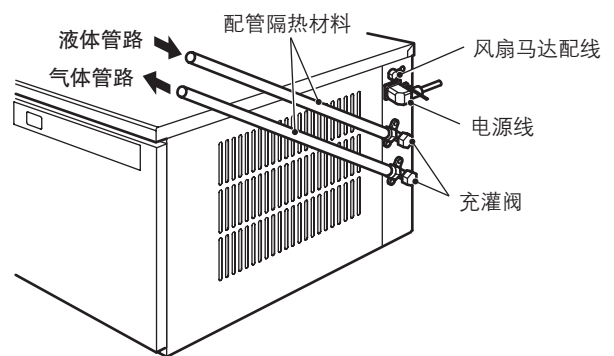
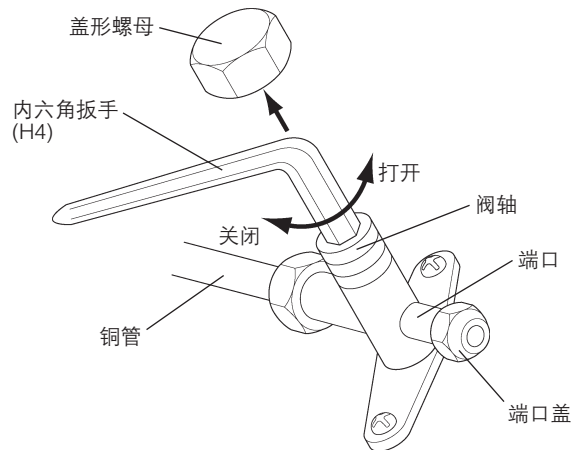
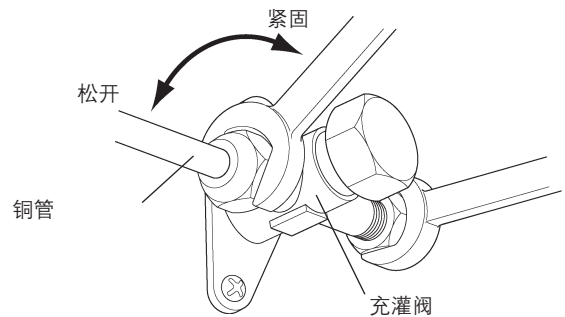
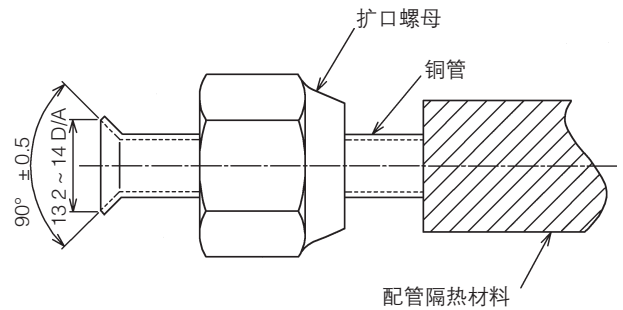
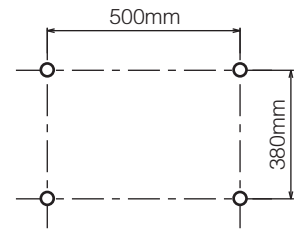
不超过10m管长时的基本充填量：2000g
每延长1m管长所需的追加充填量：40g

由于制冰机和远置式冷凝机组中预充填冷媒总量为2000g，因此所需充填的冷媒量为：
 $40\text{g} \times [\text{管长} - 10]\text{m}$

例如 – 若管长为15m(即制冰机和冷凝机组之间的距离)

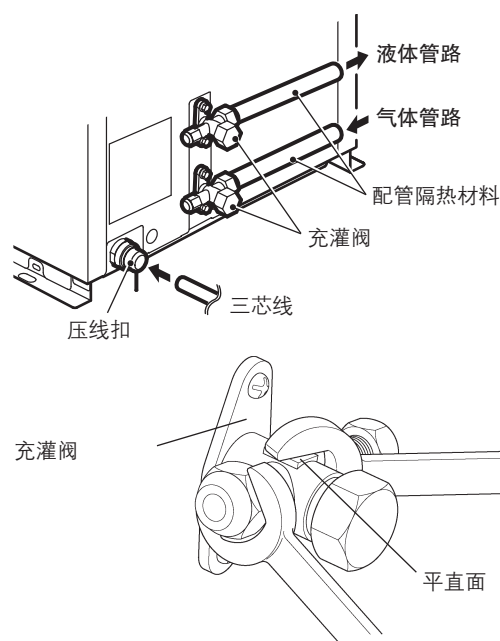
$15\text{m} - 10\text{m} = 5\text{m}$
基本充填量=2000g(不超过10m管长时)
追加充填量=40g/m
所需充填量=40g × 5m=200g

完成冷媒充填作业后，请拆下充灌钢瓶和充填管路。将端口盖装回原位并将其紧固至 $10 \pm 1\text{Nm}$ 扭矩。



- 7) 拆下冷凝机组和制冰机上各个冲灌阀的盖形螺母。利用内六角扳手转动阀轴，直到液体管路和气体管路中的各个阀完全打开为止。
- 8) 重新将盖形螺母紧固至 $25 \pm 3\text{Nm}$ 扭矩。
- 9) 利用检漏器或肥皂泡检查盖形螺母、端口盖和扩口接头处是否漏气。
- 10) 对接头进行隔热处理和密封处理，以确保防水性能。

注：拆卸和安装充灌阀上的螺母时，请使用扳手钳住阀上的平直面处。



[d] 电气连接

警告

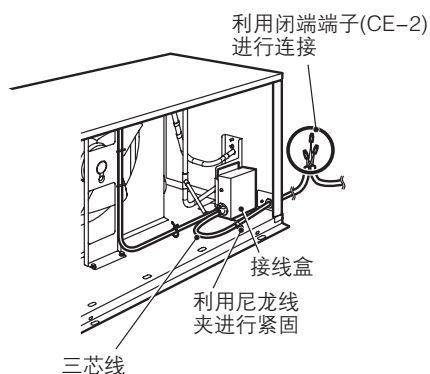
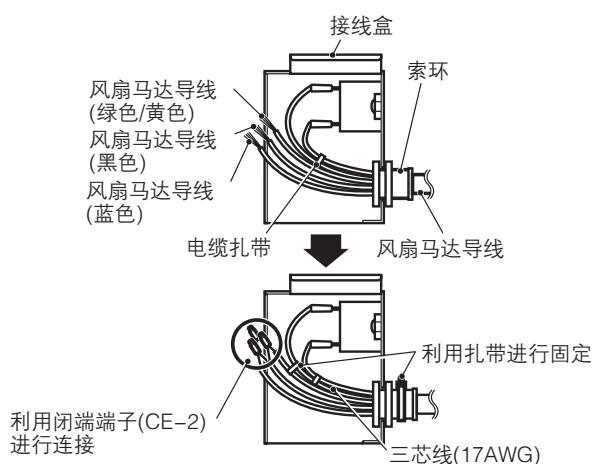
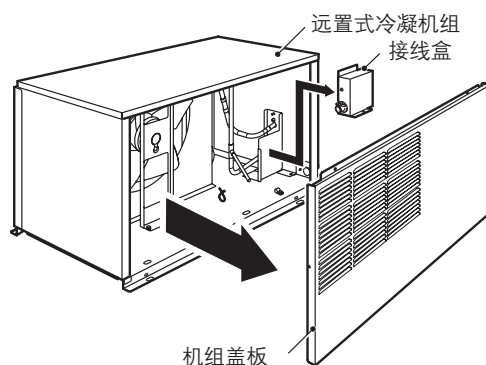
本冷凝机组必须接地

本远置式冷凝机组必须按所在国家和地区的电气安全标准进行接地。

为避免造成人体触电或设备严重受损，请在制冰机上正确地连接地线并确保其与冷凝机组的导通性良好。

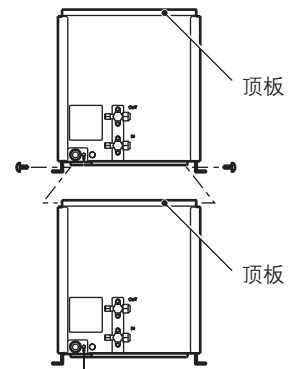
- * 请连接本冷凝机组接线盒内的三芯风扇马达配线。
- * 通常情况下，应由持有电工资质证书或经授权的维修人员进行作业。

- 1) 拆下远置式冷凝机组盖板。
- 2) 拆下接线盒。
- 3) 将三芯线从套筒中穿过。
- 4) 将三芯线从接线盒的索环中穿过。使用闭端端子连接风扇马达导线和三芯线并使用扎带固定好索环。完成连接后，请检查闭端端子是否朝上。
- 5) 使用压线扣将三芯线固定。
- 6) 将远置式冷凝机组盖板装回原位。



[e] 叠放冷凝机组

- 1) 切实固定好下部冷凝机组。
- 2) 拆下下部冷凝机组顶板。保管好顶板的四个螺钉。
- 3) 将上部冷凝机组置于下部冷凝机组的顶部。
- 4) 利用顶板的四个螺钉固定好上部冷凝机组。
- 5) 安装冷媒管路并对各个风扇马达进行电气连接作业。

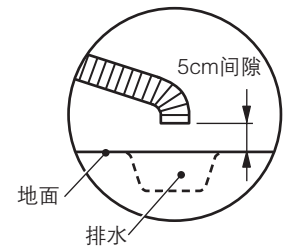


9. 供水和排水连接

警告

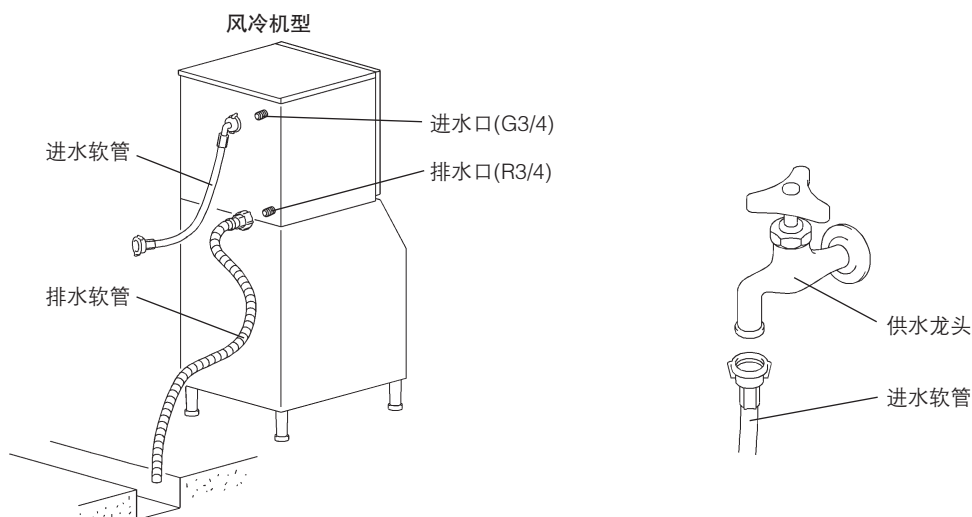
请仅连接至饮用水(冷水)供水管。

- * 总供水管线的连接方式必须符合国家当前《供水和供水连接件规定》的相关要求。
- * 制冰用水必须为饮用水。在易因水质问题而产生水垢的场合：
 - 建议安装一台外部过滤器或软水装置。相关事宜，敬请垂询当地的专业水处理机构或星崎维修机构。
 - 建议切换至“全排水模式”。相关事宜，敬请垂询当地的星崎维修机构。
- * 供水水压必须在0.07MPa(0.7bar)~0.8MPa(8bar)之间。如果水压超过0.8MPa(8bar)，则须采用适当的减压阀。请勿关小供水龙头。
- * 在部分地区可能要求具备水管敷设许可证并由持有相应资质证书的水管工进行作业。
- * 制冰机排水靠重力流动，因此应保证排水软管具有足够的坡度或落差。
- * 不得将排水管路直接连接至下水道系统。制冰机和储冰箱的排水软管末端与地面排水之间至少需留出5cm的垂直空隙。
- * 应防止排水回流至储冰箱内。
- * 对于水冷机型，可能需要在冷却水路中安装一个防回流阀。
- * 请务必使用本机附带的全新软管套件。请勿使用老旧的软管套件。



[风冷机型]

- 1) 如图所示，将挠性进水软管(附件)的弯角端连接到制冰机后部的G3/4管接头上，并确认橡胶密封垫圈已正确就位。手动充分拧紧垫圈，以防止接头漏水。
- 2) 将进水软管的另一端连接到供水龙头，并在如上所述手动拧紧前检查垫圈是否正确就位。最好在易于触及的部位安装一个截止阀。
- 3) 如图所示，将灰色挠性排水软管(附件)手动紧固至制冰机后部的R3/4管接头上，并确认橡胶密封垫圈已正确就位，以防止接头漏水。可根据主排水口的位置将排水软管剪切到合适的长度。



[水冷机型]

* 星崎建议将水冷型冷凝器连接到一个闭合循环型冷却系统，循环系统采用冷却塔、水冷却器或类似装置。水源补充应通过球阀/断流水箱来实现。

* 将水冷型冷凝器连接到总供水管线(饮用水)上不会影响本机的性能，但肯定会造成用水过量/严重的资源浪费，因此不建议使用这一方式。

* 应由具备水管敷设许可证或持有相应资质证书的水管工进行正确的安装作业。

* 应根据国家或地方的适用法规正确实施连接作业。

[a] 符合英国《水务法规咨询计划》(WRAS)规定的标准连接

* 选择冷却塔时，请参照下列冷凝器的热流峰值。

型号 IM-240AW: 5235W

* 为了减少压力损失，虽然制冰机管接头直径为13mm，冷却塔和制冰机之间的管线直径应至少为20mm。

* 当冷却水的流速为4~5L/min时，制冰机内水路的压力损失将为5~6m。

* 请参照上述热流值，选择合适的循环泵。

* 请勿使用级联泵，否则控水阀将在除霜过程中改变水流方向并停止供水。

[制冰机的连接]

1) 如图所示，将挠性进水软管(附件)的弯角端连接到制冰机后部的G3/4管接头上，并确认橡胶密封垫圈已正确就位。手动充分拧紧垫圈，以防止接头漏水。

2) 将进水软管的另一端连接到供水龙头，并在如上所述手动拧紧前检查垫圈是否正确就位。

注：如果使用了过滤或水处理装置，应确保仅将处理水供水源连接至制冰机部分(而非冷凝器)。

3) 如图所示，将灰色挠性排水软管(附件)连接到制冰机后部的R3/4管接头上，并在最终手动拧紧接头前确认橡胶垫圈已正确就位。可根据主排水口的位置将排水软管剪切到合适的长度。

4) 如图所示，使用合适的扳手或扳钳将1/2-3/4螺纹接头(附件)紧固至制冰机后方的Rc1/2管接头中，并使用P.T.F.E.胶带和/或合适的密封剂密封，以防止接头漏水。

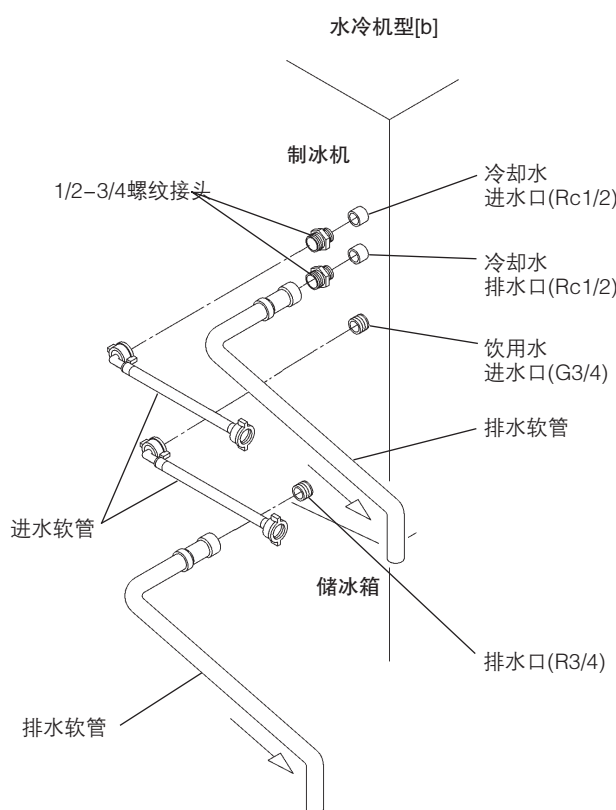
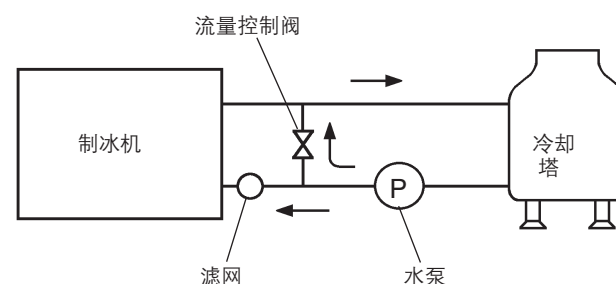
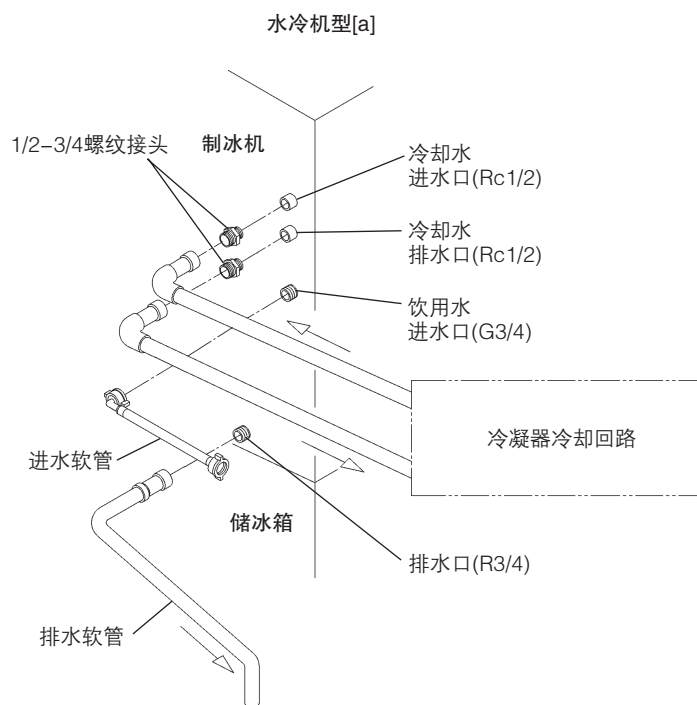
注：接头密封剂必须经过有关部门批准并符合饮用水标准。

5) 如图所示，使用合适的刚性管将冷凝器冷却水路连接至1/2-3/4螺纹接头的自由端。

[b] 使用各种软管附件根据WRAS之外的规定进行的连接

1) 根据上文[a]中的步骤1)~4)进行操作。

2) 如图所示，在连接冷凝器时，请按照与上文[a]中的步骤1)~3)相同的连接方式将附带的软管附件连接到1/2-3/4螺纹接头上。



10. 启动步骤

- 1) 打开供水龙头。
- 2) 连接电源插头并通电。
- 3) 显示屏上显示“on”。
- 4) 此时将依次发生下述过程：
 - a) 热气阀将开启。
 - b) 压缩机将在30秒后启动。
 - c) 接水盘将完全打开。
 - d) 进水电磁阀将打开。
 - e) 接水盘将开始闭合(热气阀关闭)。
 - f) 接水盘完全闭合-水泵马达将启动。
 - g) 进水电磁阀将关闭。

▲ 卫生

检查制冰情况和质量。

请勿使用在试运行过程中制成的冰块，因为水路中可能含有水垢、二氧化硅、氧化钙或其它异物。请丢弃或冲走排水。

使用前须清洁储冰箱(参见使用说明书中的“III. 1. 清洁”)。

11. 最终确认事项

- 1) 检查电压是否正常。
- 2) 检查制冰机接地是否正确。
- 3) 检查制冰机是否存在振动。
- 4) 检查所有面板是否均已安装牢固。
- 5) 根据“10.启动步骤”，检查运行是否正常。
- 6) 检查供水及排水连接处是否漏水。
- 7) 指导用户正确操作本机。并将操作说明书交付给用户。