

IMPERIA



GLASS RAILING

MALU
Aluminum Extrusions **WIND**



Your Profile

IMPERIA

GLASS RAILING



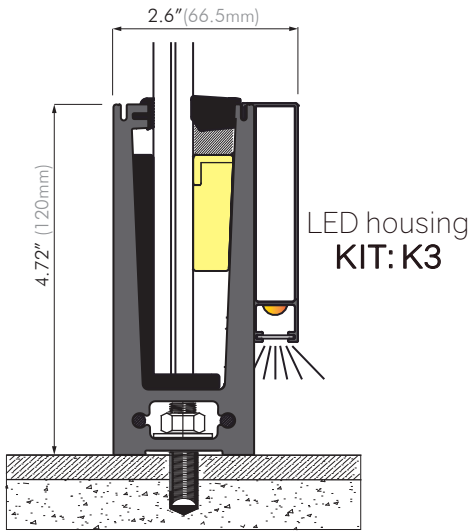
K1-NOA #20-1021.03

- Designed for interior and exterior Railing Applications
- Tempered laminated glass with Sentryglas Interlayer
- Supports Surface Mount, Embed Mount, Inclined and Fascia Mounting Methods
- Fast and simple installation. Reduces Installation Labor Time by 50%


Copyright©-Product patented by Aluwind S.A

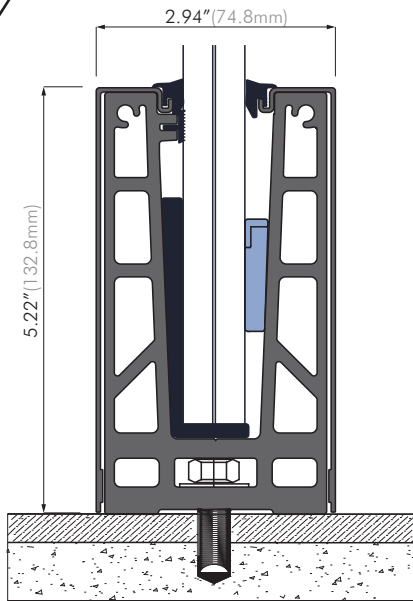
 aluwindus.com

TOP OF SLAB OPTIONS



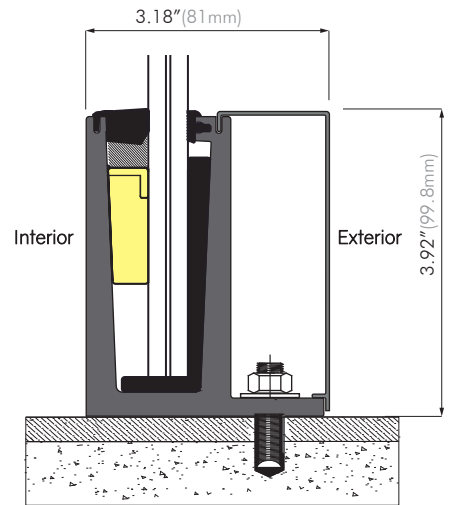
Top mount base shoe
(max. panel height 43")
Continuous base shoe
KIT: K1

 **K1 UP TO**
771lb (350Kg.)
Use proper glazing



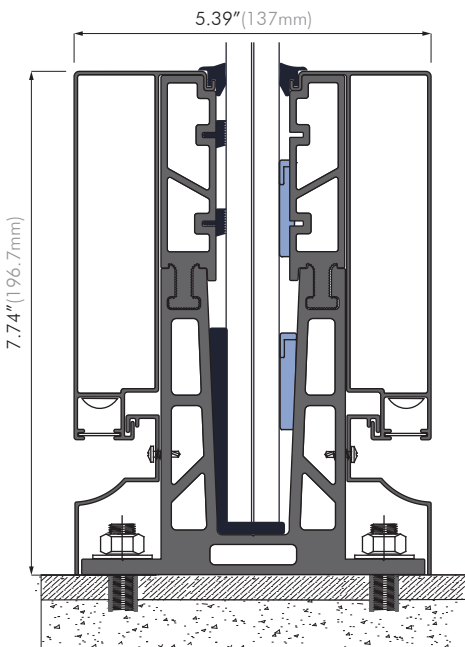
Top mount base shoe
(max. panel height 59")
Continuous and modular base shoe
KIT: K15

 **K15 UP TO**
1984lb (900Kg.)
Use proper glazing




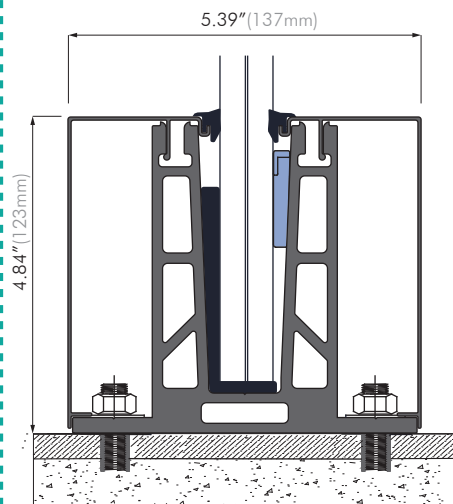
F-Shaped Floor Mount
(max. panel height 19")
Continuous base shoe
KIT: K16

 **K16 UP TO**
330lb (150Kg.)
Use proper glazing




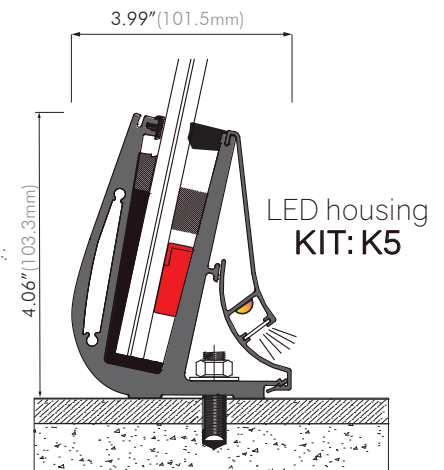
Glass fence
(max. panel height 118")
Continuous and modular base shoe
KIT: K11

 **K11 UP TO**
1984lb (900Kg.)
Use proper glazing



Top mount base shoe
(max. panel height 43")
Continuous and modular base shoe
KIT: K14

 **K14 UP TO**
1433lb (650Kg.)
Use proper glazing

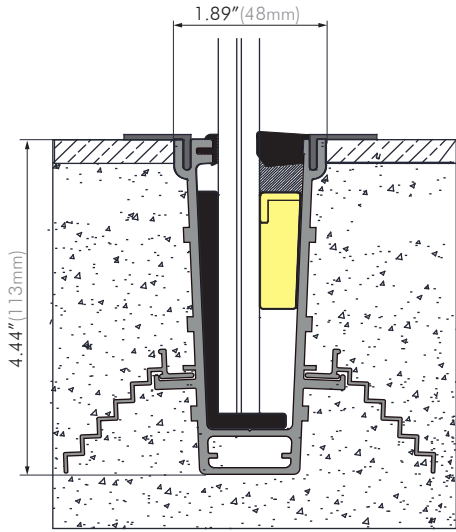


Curved base shoe
Continuous base shoe
KIT: K4

 **K4 UP TO**
220lb (100Kg.)
Use proper glazing

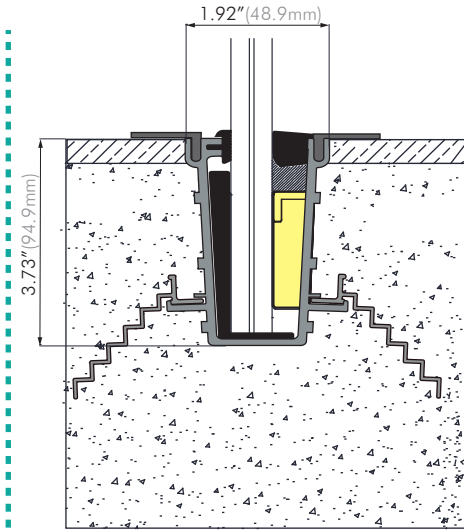
MODULE OPTIONS

HANDRAIL OPTIONS



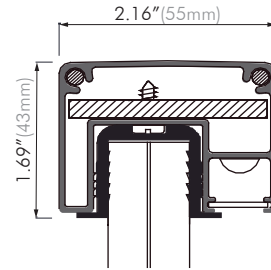
Embedded in slab
(max. panel height 43")
Continuous base shoe
KIT: K6

 **K6 UP TO**
1322lb (600Kg.)
Use proper glazing

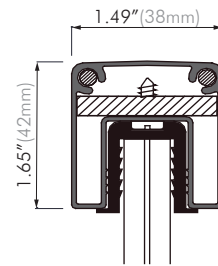


Embedded in slab
(max. panel height 19")
Continuous base shoe
KIT: K17

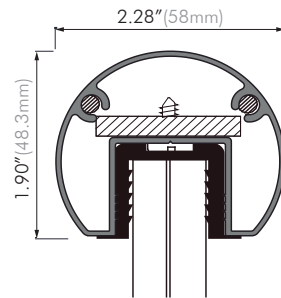
 **K17 UP TO**
330lb (150Kg.)
Use proper glazing



LED
Handrail
KIT: K7

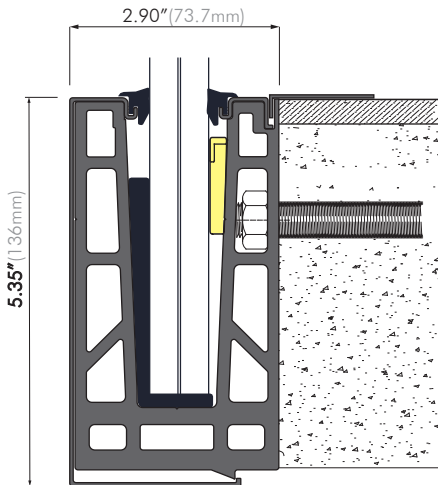


Square
Handrail
KIT: K8



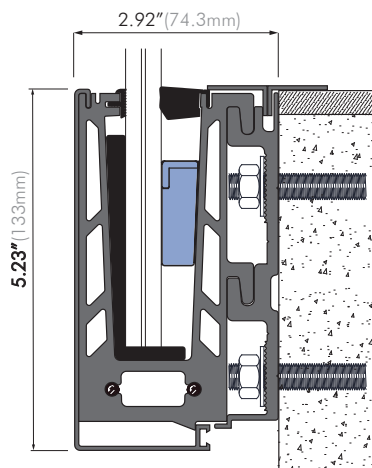
Round
Handrail
KIT: K9

Opciones FRENTE LOSA




Fascia Mount
max. panel height 43"
Continuous and modular base shoe
KIT: K12

















 **K12 UP TO**
1212lb (550Kg.)
Use proper glazing













Fascia Mount
max. panel height 43"
Continuous base shoe
KIT: K10

 **K10 UP TO**
330lb (150Kg.)
Use proper glazing

ACCESSORIES

SKU		DESCRIPTION	SUPPLIER	IMAGE	QTY	Unit	Usage
ANG1	ADDITIONAL ACCESSORY	Stainless steel angle	ALUWIND		1	Piece	1 to hold the handrail end against the wall
SPA1	ADDITIONAL ACCESSORY	Stainless steel handrail bracket	ALUWIND		1	Piece	We recommend spacing the Brackets 39 inches apart
SPR1	ADDITIONAL ACCESSORY	Stainless steel squared wall bracket	ALUWIND		1	Piece	We recommend spacing the Brackets 39 inches apart
ESK9	ADDITIONAL ACCESSORY	K7/K9 aluminum corner joint	ALUWIND		1	Piece	Insert one per joint
ESK1	ADDITIONAL ACCESSORY	K1 / K8 aluminum corner joint	ALUWIND		1	Piece	Insert one per joint
HERR	ADDITIONAL ACCESSORY	Chock spatule	ALUWIND		1	Piece	-
9010/9012/ 9016/9020	ADDITIONAL ACCESSORY	Stainless steel 90° (folded) glass connector for 10mm-21mm tempered glass	ALUWIND		1	Piece	Insert one per glass corner joint
AR10/AR12/ AR16/AR20	ADDITIONAL ACCESSORY	Stainless steel U folded channel for 10 mm-21mm tempered glass	ALUWIND		1	Piece	Insert one per glass linear joint
YM15	ADDITIONAL ACCESSORY	YM15 glass connector (90°)	ALUWIND		1	Piece	Insert one per glass corner joint
YM16	ADDITIONAL ACCESSORY	YM16 glass connector (180°)	ALUWIND		1	Piece	Insert one per glass linear joint
ASP1	ADDITIONAL ACCESSORY	Stainless steel glass connector with handrail bracket	ALUWIND		1	Piece	We recommend spacing the Brackets 39 inches apart
AI01	ADDITIONAL ACCESSORY	Suplemento de alto impacto 3mm	ALUWIND		1	Piece	User-defined
RLED	ADDITIONAL ACCESSORY	LED String 5630 / 600 1,2A/m	-		Strip 1[m]_____1[A] 2[m]_____2[A] 5[m]_____5[A]		All along the handrail/ led housing
TRAN	ADDITIONAL ACCESSORY	ampere per meter 12v power adapter [1-5]Amper	-		1	Piece	User-defined
SCL1	ADDITIONAL ACCESSORY	Silicone weather - proofing sealant DOW CORNING 791			1	Piece	User-defined
GAK6	ADDITIONAL ACCESSORY	GRAMPA DE AMURE	ALUWIND		1	Piece	User-defined
VID	ADDITIONAL ACCESSORY	VIDRIOS CON SENTRYGLAS				Piece	User-defined
INS	ADDITIONAL ACCESSORY	INSTALACION				Piece	User-defined

ACCESSORIES

SKU		DESCRIPTION	SUPPLIER	IMAGE	QTY	Unit	Usage
TK01	ADDITIONAL ACCESSORY	K1 plastic end cap	ALUWIND		1	Piece	1 placed at the end of the profile. Used for aesthetic finish
TK07	ADDITIONAL ACCESSORY	K7 plastic end cap	ALUWIND		1	Piece	1 placed at the end of the profile. Used for aesthetic finish
TK08	ADDITIONAL ACCESSORY	K8 plastic end cap	ALUWIND		1	Piece	1 placed at the end of the profile. Used for aesthetic finish
TK09	ADDITIONAL ACCESSORY	K9 stainless steel end cap	ALUWIND		1	Piece	1 placed at the end of the profile. Used for aesthetic finish
TK05	ADDITIONAL ACCESSORY	K5 stainless steel end cap	ALUWIND		1	Piece	1 placed at the end of the profile. Used for aesthetic finish
TK04	ADDITIONAL ACCESSORY	K4 stainless steel end cap	ALUWIND		1	Piece	1 placed at the end of the profile. Used for aesthetic finish
TK03	ADDITIONAL ACCESSORY	K1+K3 stainless steel end cap	ALUWIND		1	Piece	1 placed at the end of the profile. Used for aesthetic finish
TK33	ADDITIONAL ACCESSORY	K1+K3 (on both sides) stainless steel end cap	ALUWIND		1	Piece	1 placed at the end of the profile. Used for aesthetic finish
TK6R	ADDITIONAL ACCESSORY	K6 stainless steel end cap with hose fitting	ALUWIND		1	Piece	1 placed at the end of the profile. Used for aesthetic finish
TK6R	ADDITIONAL ACCESSORY	K6 stainless steel end cap with hose elbow	ALUWIND		1	Piece	1 placed at the end of the profile. Used for aesthetic finish

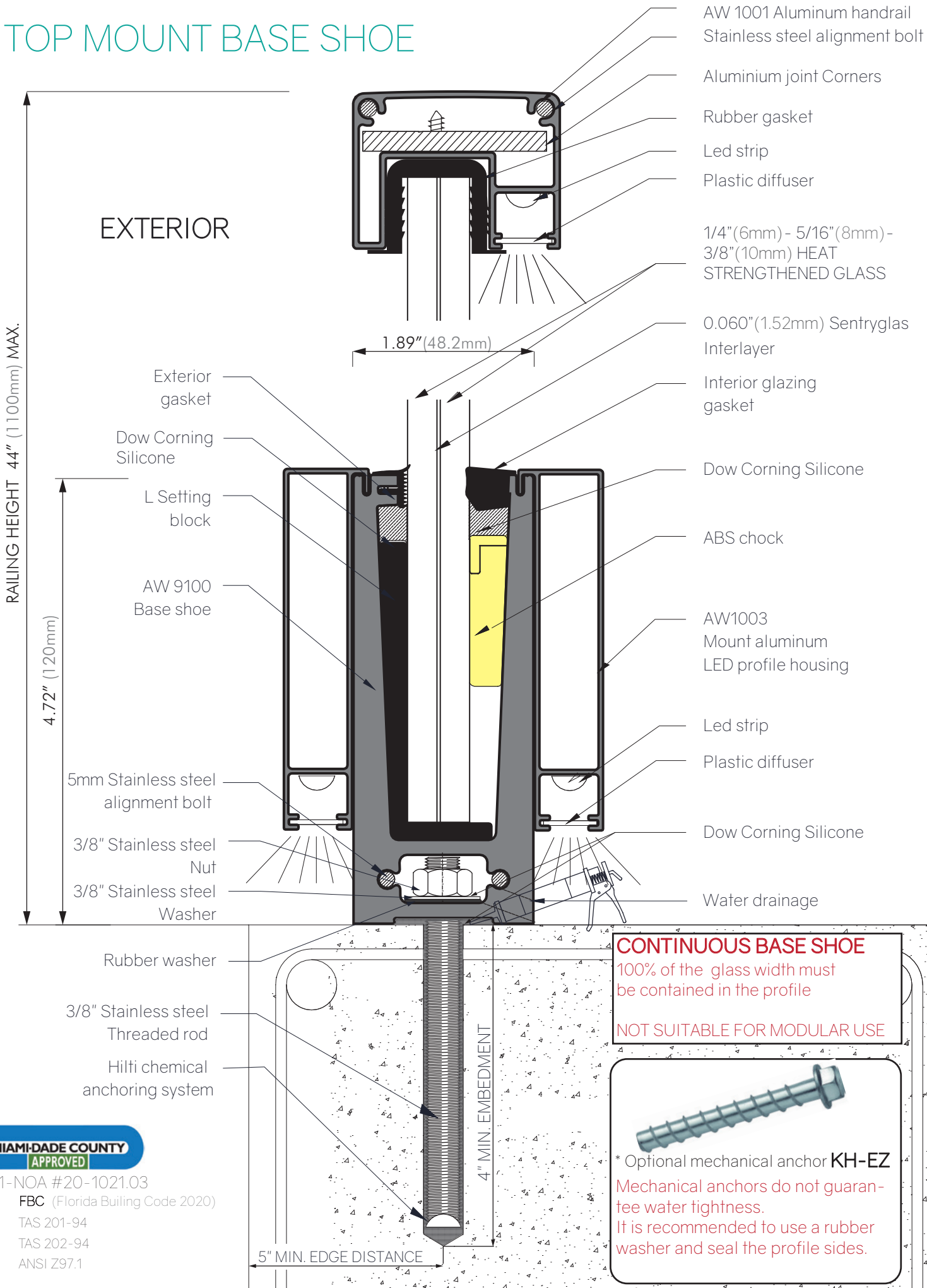
CHEMICAL ANCHOR

ACCESSORIES						
SKU		DESCRIPTION	SUPPLIER	IMAGE	Unit	Usage
R010 RE-10 (2142303)	ADDITIONAL ACCESSORY	Re-10 anchoring system (cod.2142303) injectable epoxy mortar for anchoring in concrete	HILTI USA		19.61 fl oz	Inject the anchor before inserting the threaded rod
HDM5 HDM 500 (2005641)	ADDITIONAL ACCESSORY	Manual anchor adhesive dispenser hdm-500 (cod.2005641)	HILTI USA		Piece	User-defined
R100 RE-100 (2123384)	ADDITIONAL ACCESSORY	Re-100 anchoring system (cod.2123384) High-performance injectable epoxy mortar ** Requires HIT-CB500 cartridge holder not included.	HILTI USA		11.16fl oz 16.91 oz	Inject the anchor before inserting the threaded rod
R500 RE-500 (2123404)	ADDITIONAL ACCESSORY	Re-500 anchoring system (cod.2123404) Resina epóxico, alto rendimiento para conexiones barras/anclajes de altas cargas ** Requires HIT-CB500 cartridge holder not included.	HILTI USA		1x Paquete de lámina doble 1x Mezclador	Inject the anchor before inserting the threaded rod
HITC HDM 500 HIT-CB (3560133)	ADDITIONAL ACCESSORY	Manual dispenser with cartridge holder Hit-cb (COD.3560133) RE-100 RE-500	HILTI USA		1 dispenser 1 cartridge holder	User-defined

SCREW ANCHOR

ACCESSORIES						
SKU		DESCRIPTION	SUPPLIER	IMAGE	Unit	Usage
KHEZ KH-EZ (418059)	ADDITIONAL ACCESSORY	Screw anchor kh-ez(cod.418059) 3/8"x4"	HILTI USA		50pc 100pc	User-defined
SIW2 SIW 22T-A 1/2" (405032)	ADDITIONAL ACCESSORY	Impact wrench 22v siw22T-A 1/2" (cod.405032)	HILTI USA		Piece	User-defined
B22V B 22/5.2 (2136396)	ADDITIONAL ACCESSORY	Compact 22v Battery pack (cod.2136396)	HILTI USA		Piece	User-defined
CBAT C 4/36-90 2026282	ADDITIONAL ACCESSORY	Multi-voltage compact charger for all Hilti Li-ion batteries (cod.2026282)	HILTI USA		Piece	User-defined

TOP MOUNT BASE SHOE



- AW 1001 Aluminum handrail
- Stainless steel alignment bolt
- Aluminium joint Corners
- Rubber gasket
- Led strip
- Plastic diffuser
- 1/4" (6mm) - 5/16" (8mm) - 3/8" (10mm) HEAT STRENGTHENED GLASS
- 0.060" (1.52mm) Sentryglas Interlayer
- Interior glazing gasket
- Dow Corning Silicone
- ABS chock
- AW1003 Mount aluminum LED profile housing
- Led strip
- Plastic diffuser
- Dow Corning Silicone
- Water drainage

RAILING HEIGHT 44" (1100mm) MAX.

EXTERIOR

4.72" (120mm)

1.89" (48.2mm)

CONTINUOUS BASE SHOE
100% of the glass width must be contained in the profile
NOT SUITABLE FOR MODULAR USE

*** Optional mechanical anchor KH-EZ**
Mechanical anchors do not guarantee water tightness.
It is recommended to use a rubber washer and seal the profile sides.

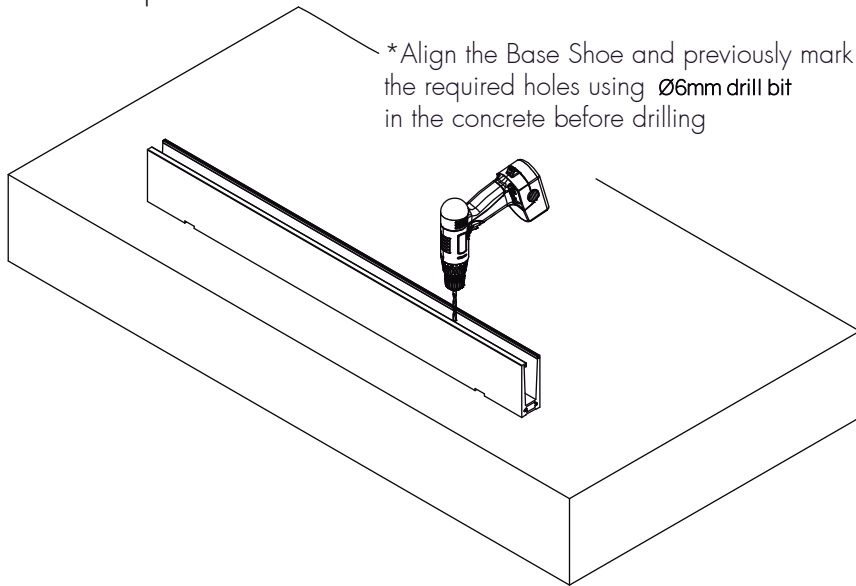


- K1-NOA #20-1021.03
- ✓ FBC (Florida Building Code 2020)
- ✓ TAS 201-94
- ✓ TAS 202-94
- ✓ ANSI Z97.1

5" MIN. EDGE DISTANCE

4" MIN. EMBEDMENT

1- Place the profile and mark the concrete surface



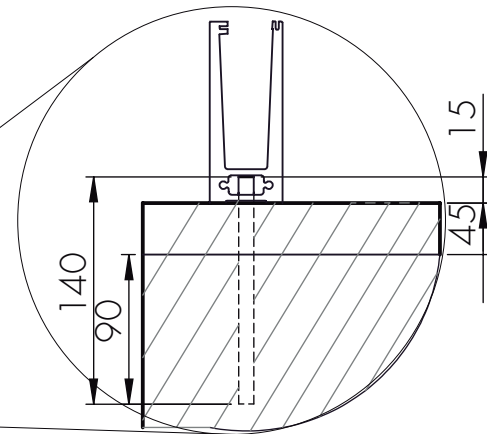
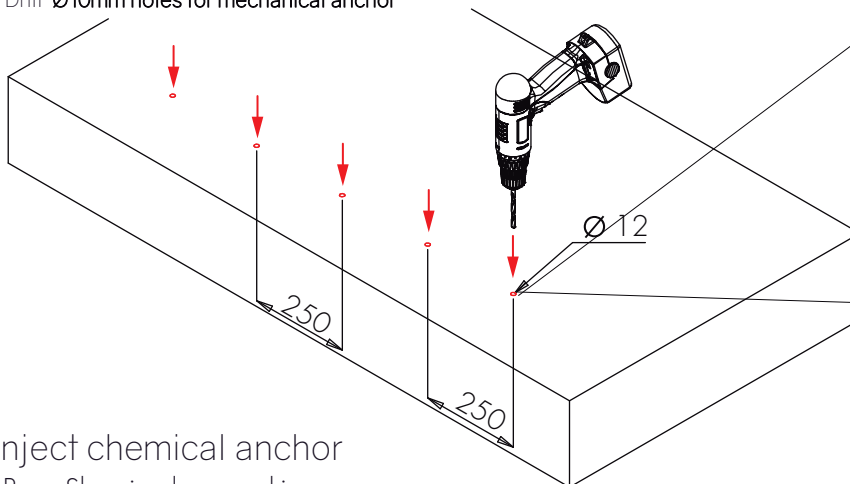
! VERY IMPORTANT!
LEVEL THE SURFACE



CHECK THE PROFILE IS PERFECTLY LEVELLED otherwise the glass won't be perfectly vertical

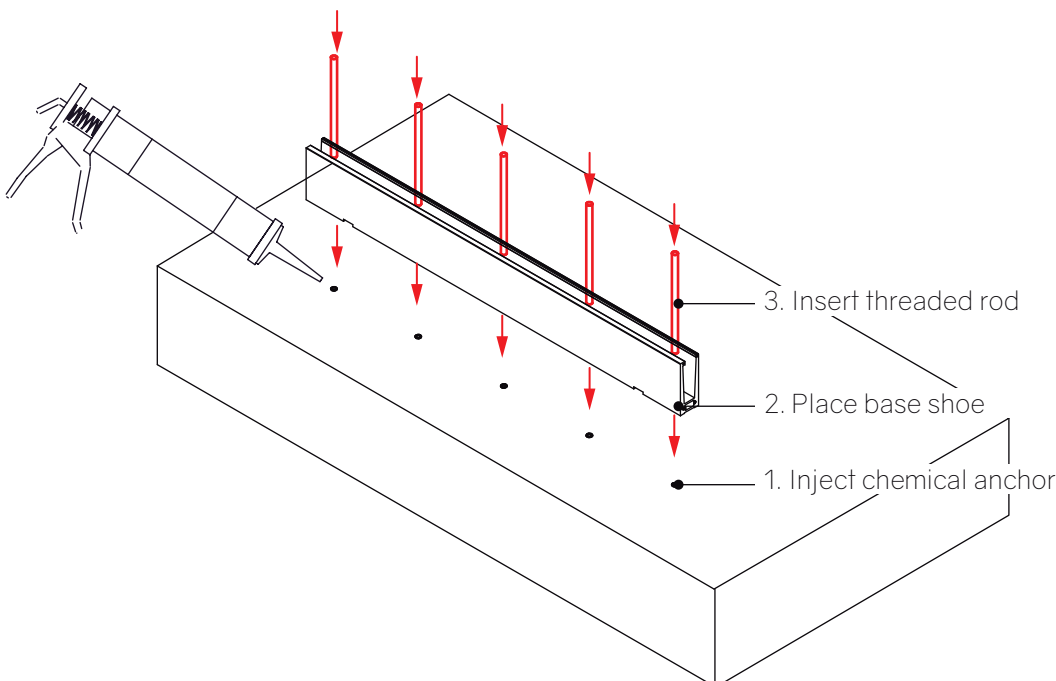
2-Drill 9cm into concrete slab and clean the dust

Drill $\varnothing 12\text{mm}$ holes for threaded rod and chemical anchor
Drill $\varnothing 10\text{mm}$ holes for mechanical anchor



3. Inject chemical anchor

Set Base Shoe in place, making sure the Base Shoe holes match the slab holes



WARNING!

Drill bit must be buried minimum 90mm into slab. Take account of the floor binder as well as the profile thickness.



It is **MANDATORY** to clean the dust from the slab-holes before injecting the chemical anchor/ inserting the mechanical anchor



It is **VERY IMPORTANT** to place the base shoe before inserting the threaded rod for proper alignment

6- Tighten nuts and washers

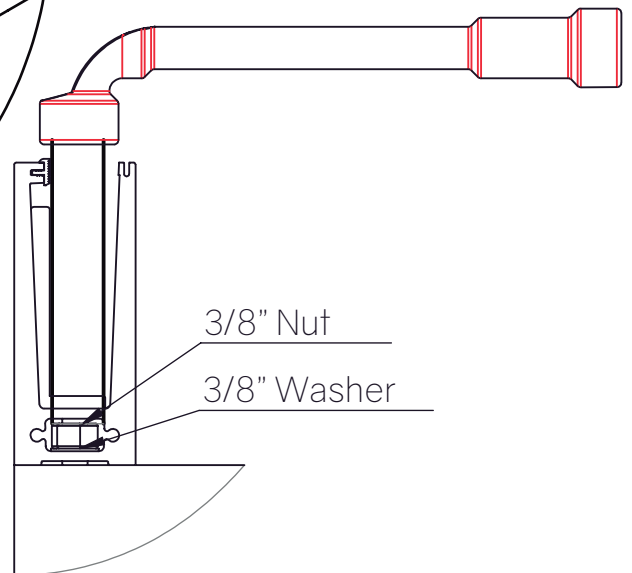
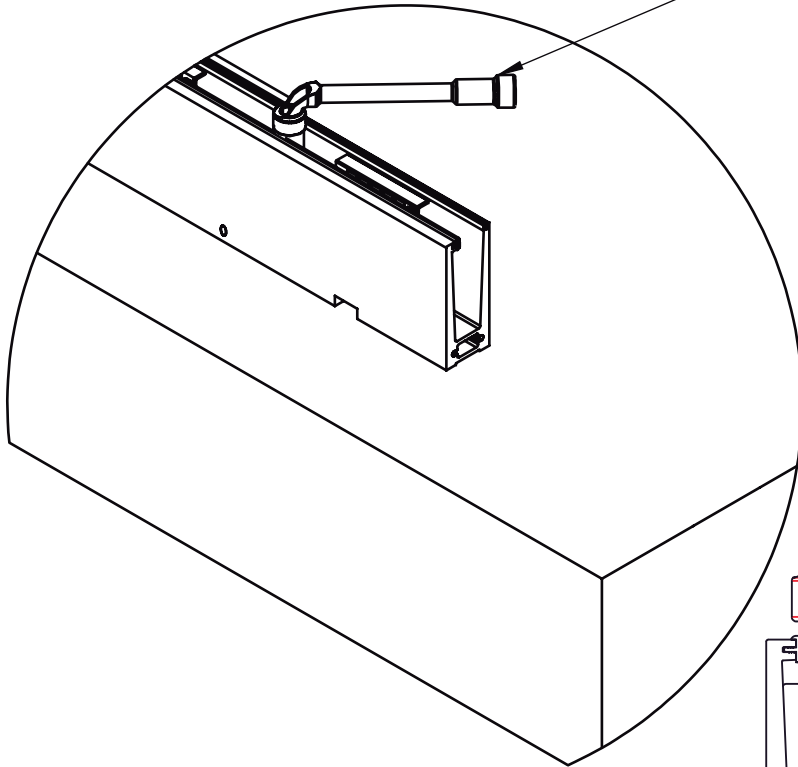
14mm Socket wrench

Note: Tighten until achieving 6Kn of torque in a dried and clean condition



VERY IMPORTANT!

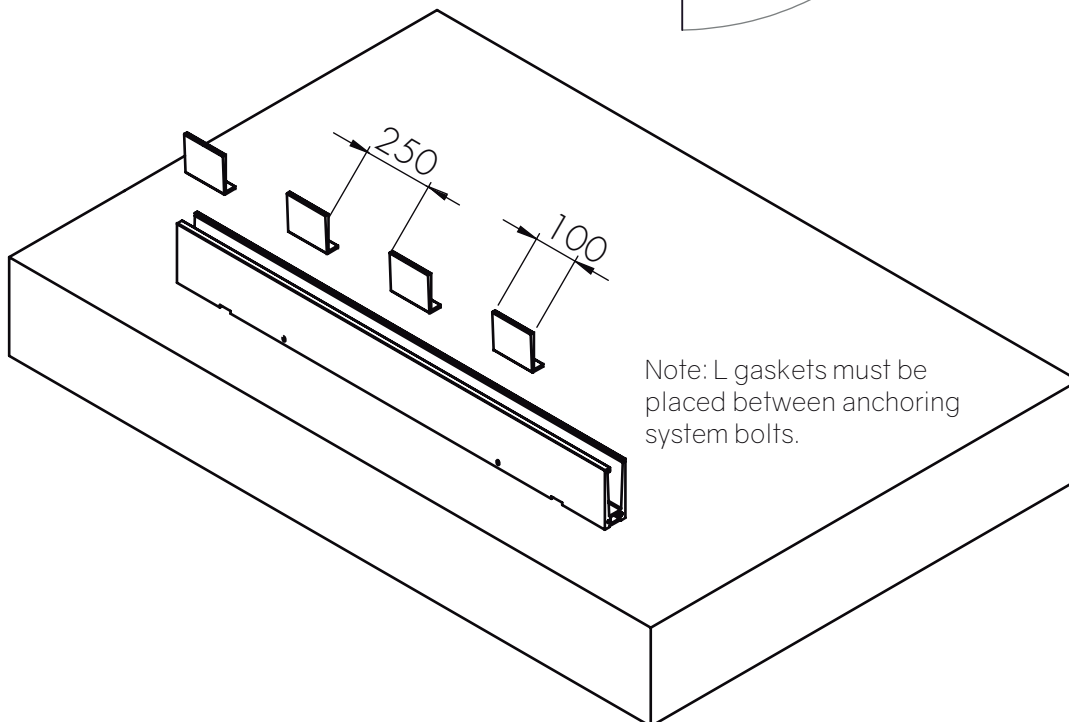
The profile must always be in full contact with the surface



3/8" Nut

3/8" Washer

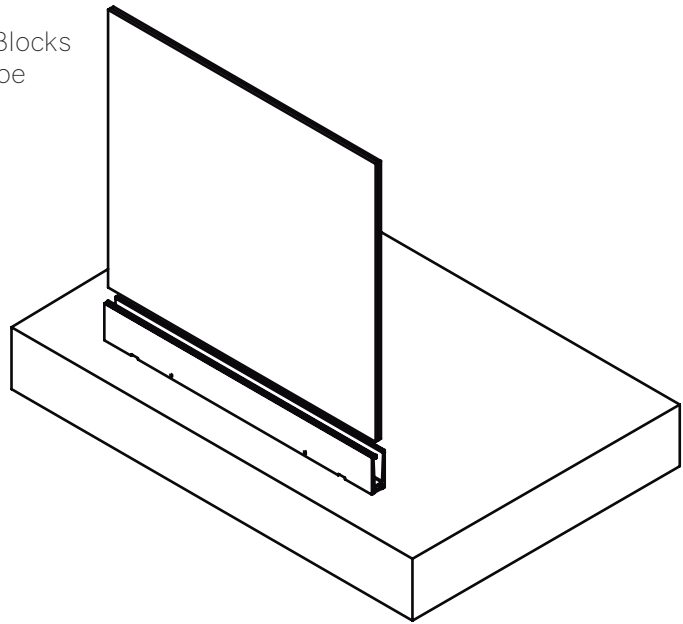
5- Place all L setting blocks into the base shoe cavity.




Note: L gaskets must be placed between anchoring system bolts.

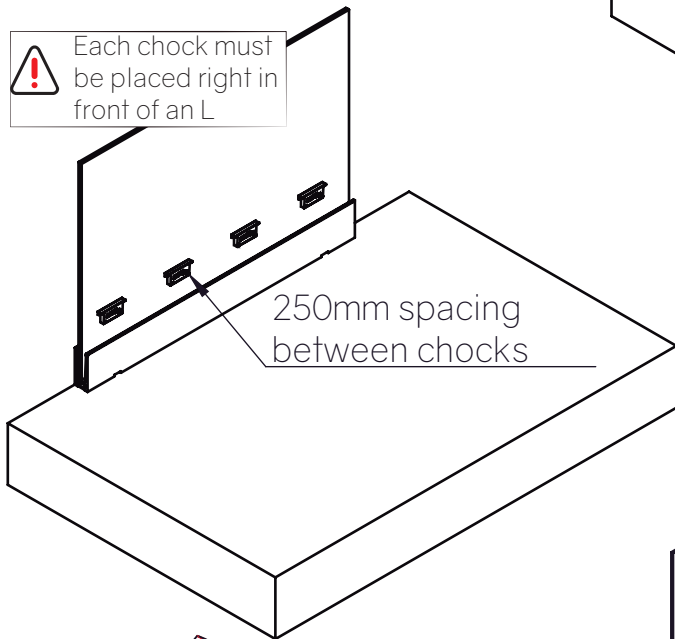
6- Glass Panel Installation

Before installing the glass panels the L-Setting Blocks must be adhered onto the bottom of the base shoe

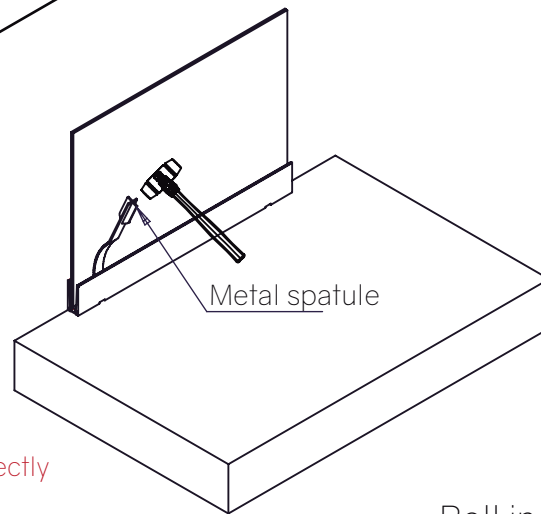


7- Plastic chocks installation

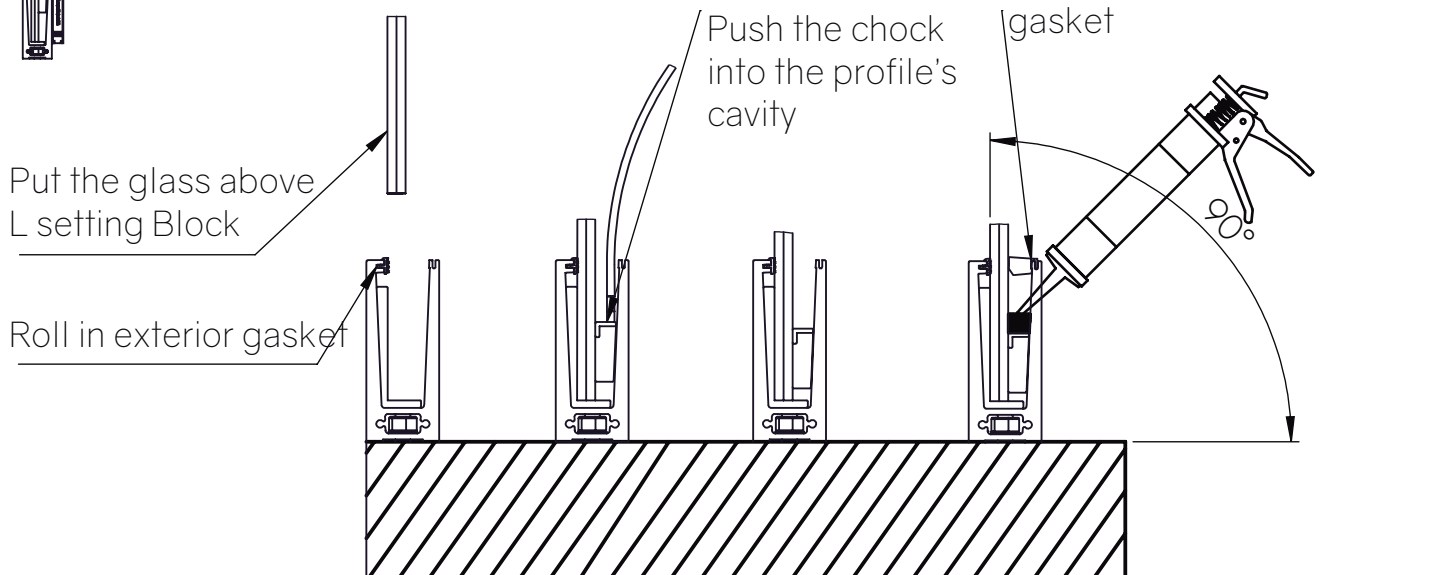
 Each chock must be placed right in front of an L



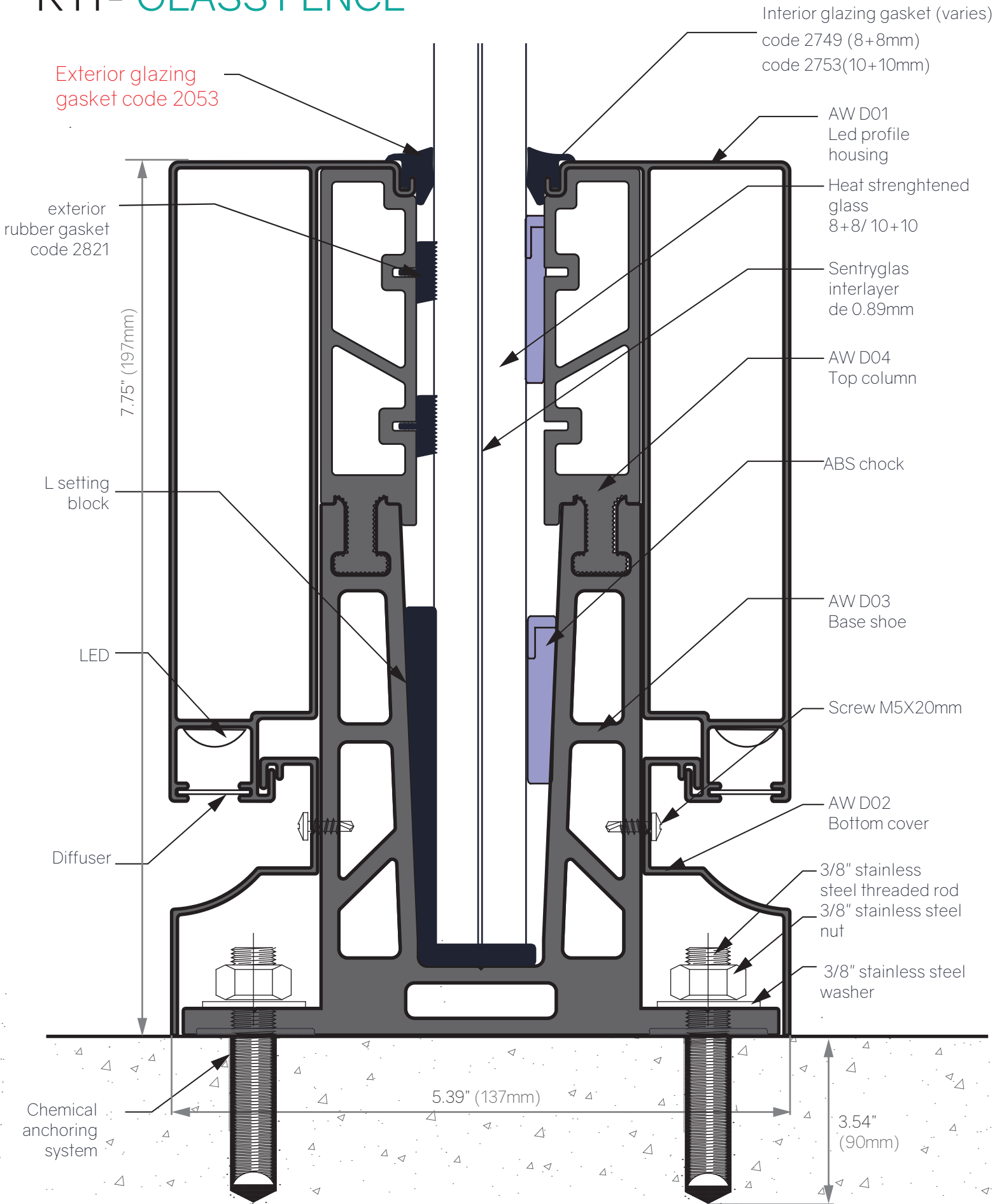
8- Use Installation/Removal Tool (spatule) to lock the glass securely in place



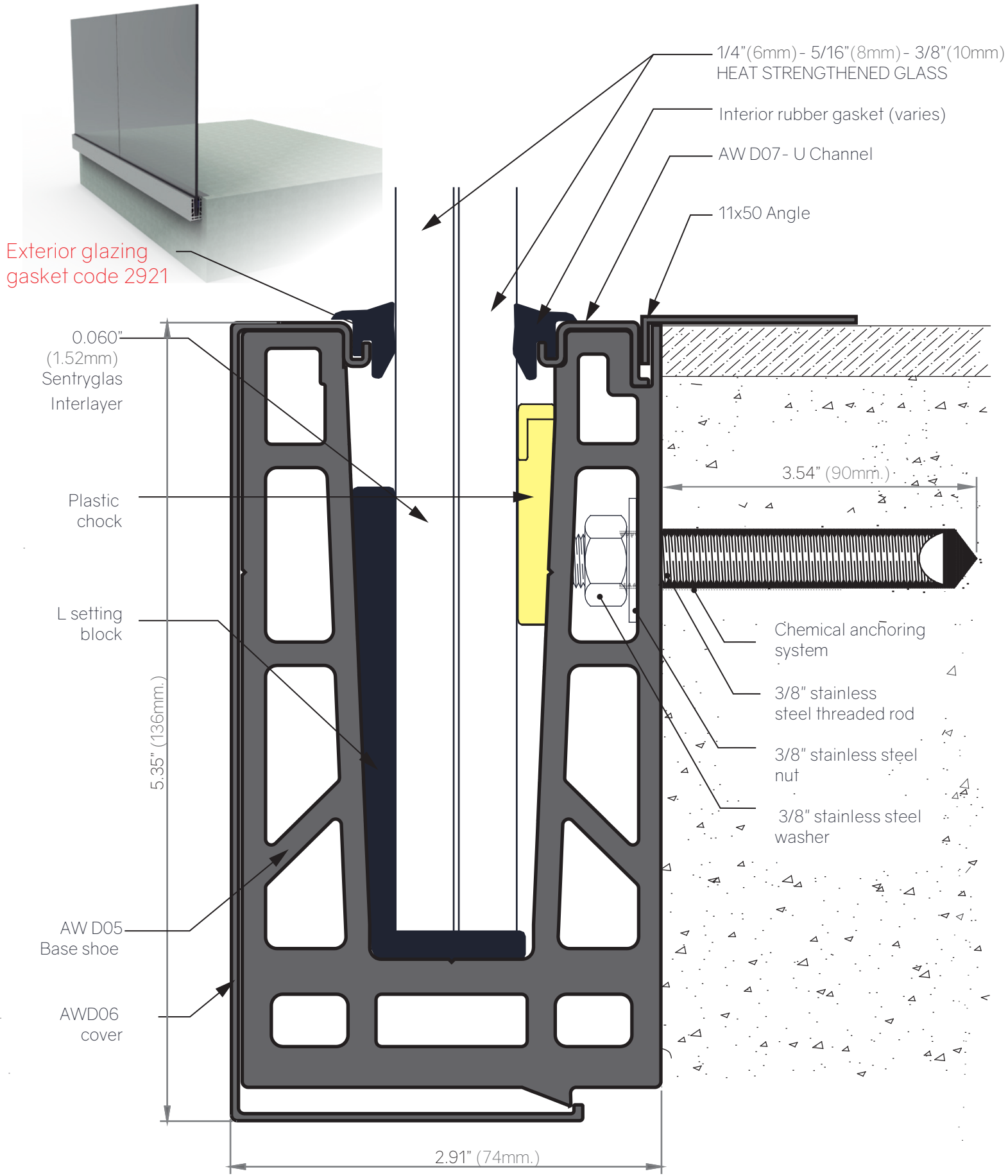
Warning: keep the tool separated from the glass when installing the chocks
Make sure the glass is plumb and perfectly aligned with adjacent panels



K11- GLASS FENCE

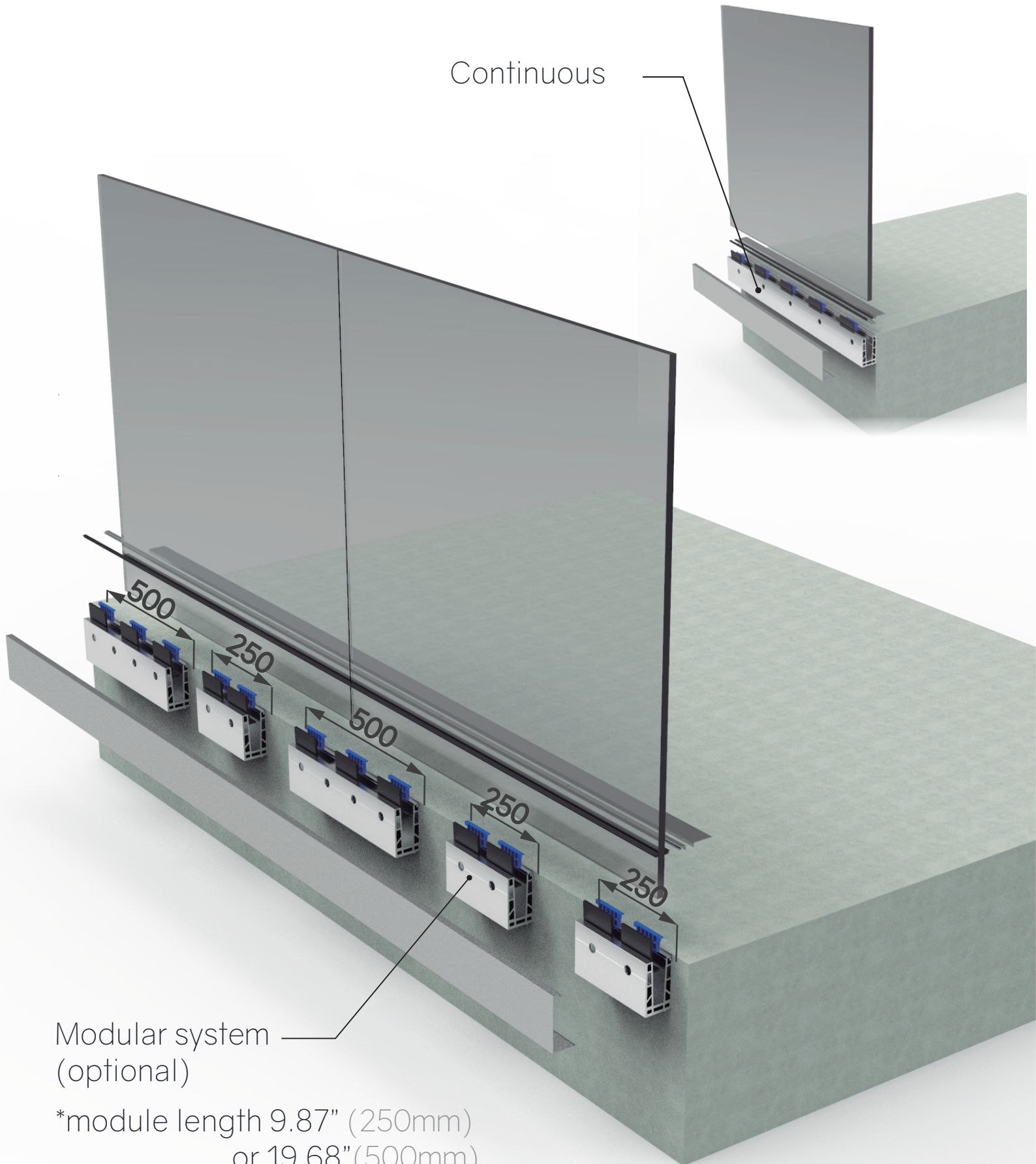


K12- FASCIA MOUNT



K12- Fascia Mount

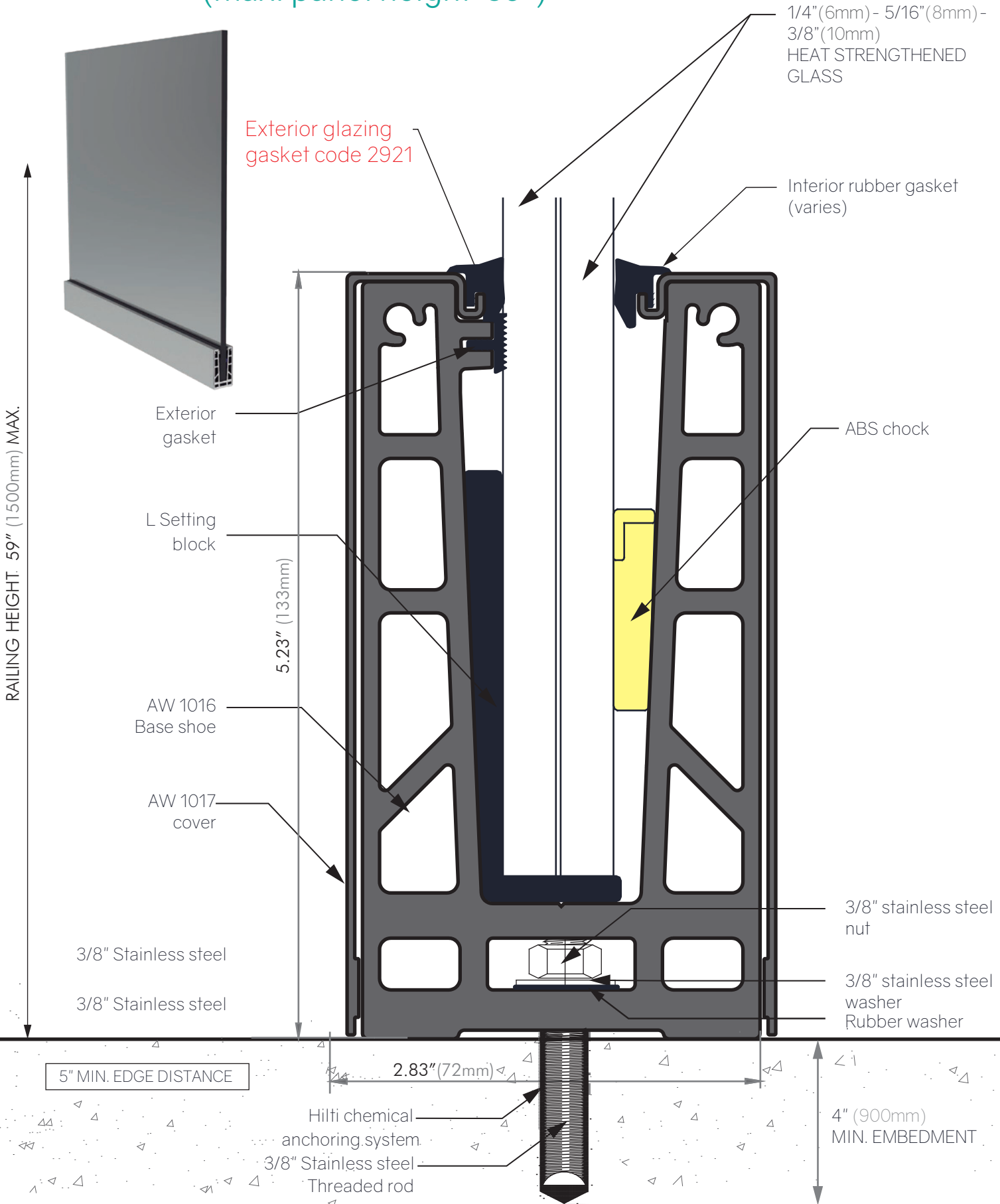
Continuous



Modular system
(optional)

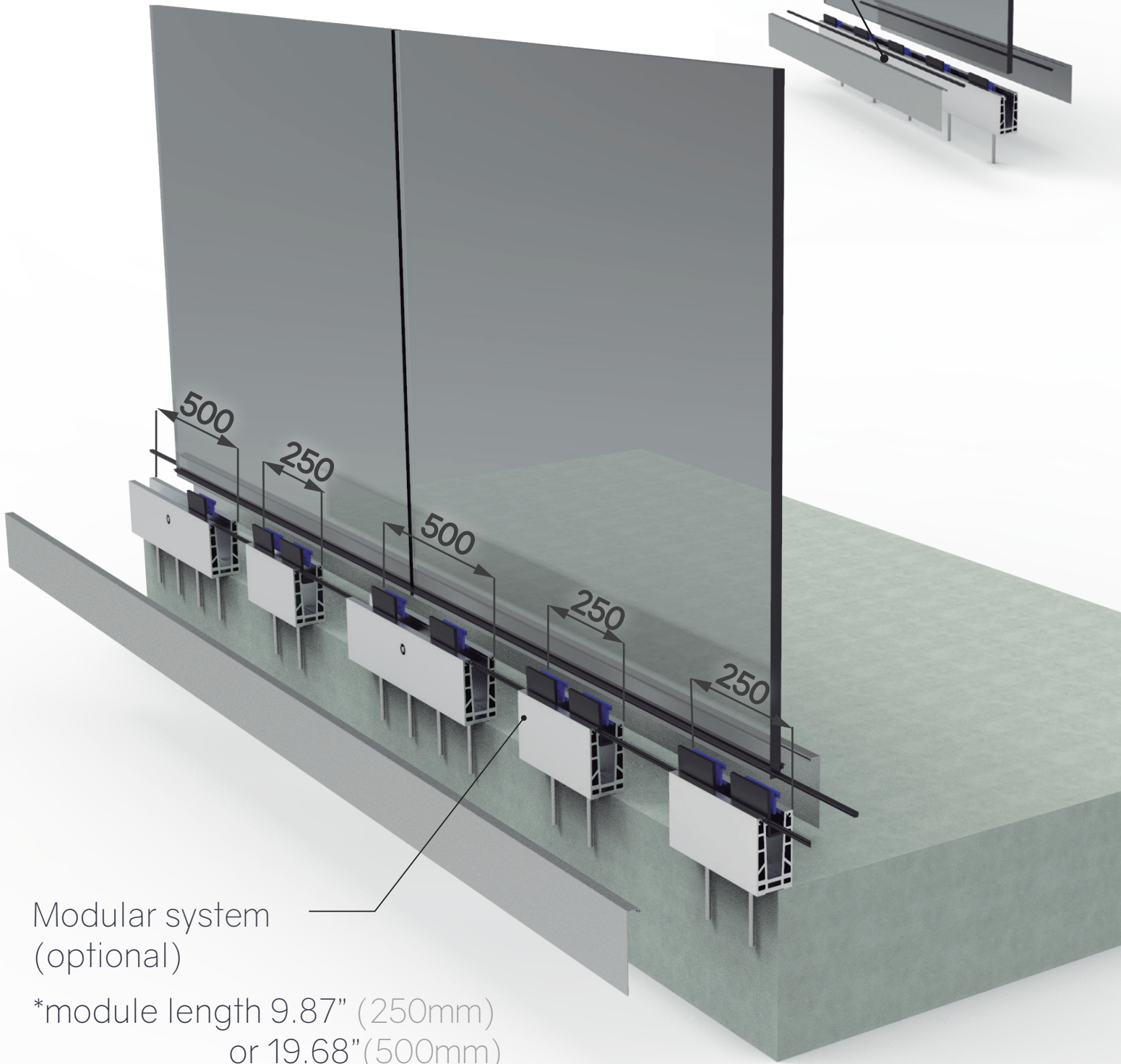
*module length 9.87" (250mm)
or 19.68" (500mm)

K15- Top Mount base shoe (max. panel height 59")

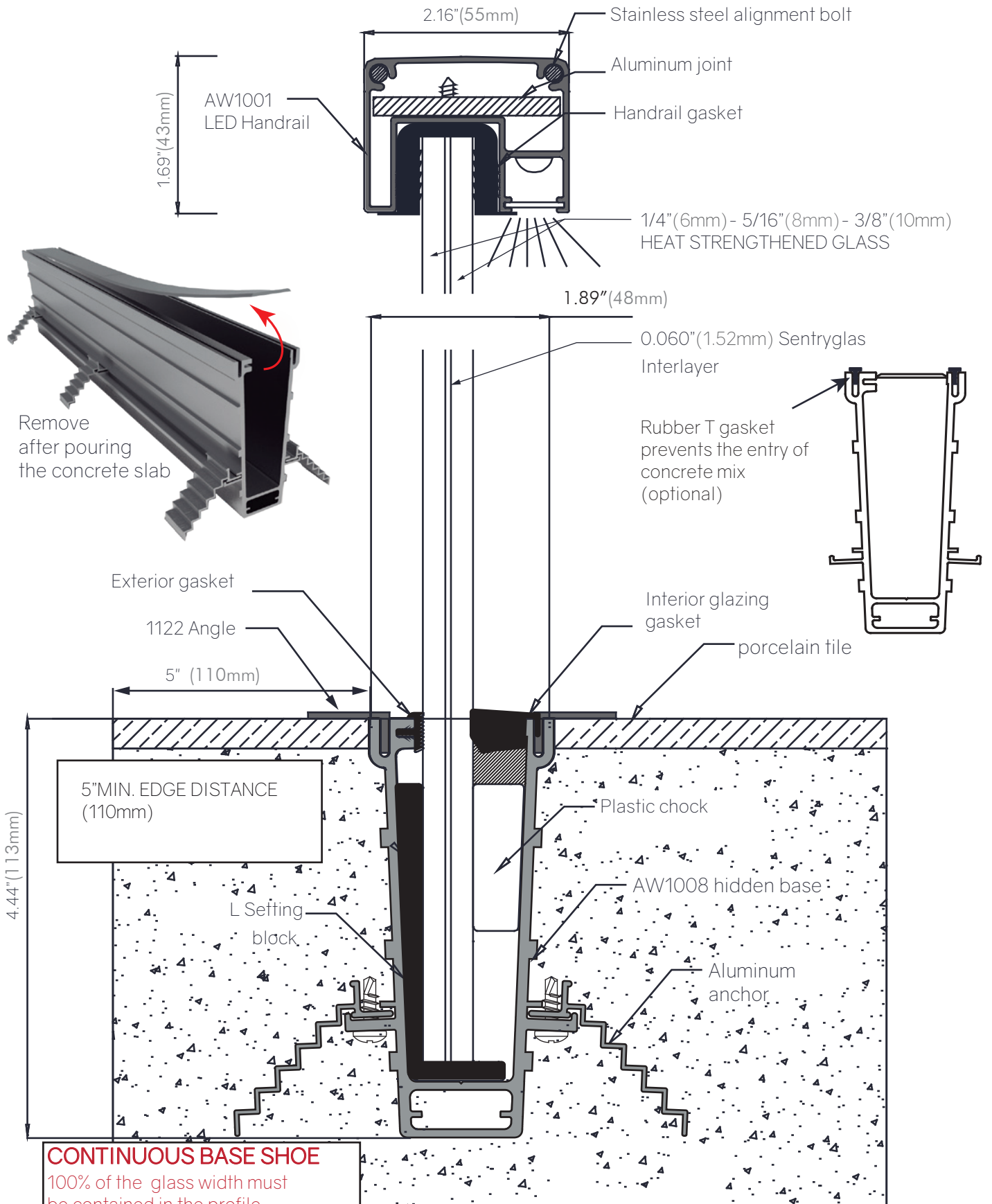


K15- SISTEMA SOBRE LOSA

Continuous



HIDDEN BASE CHANNEL



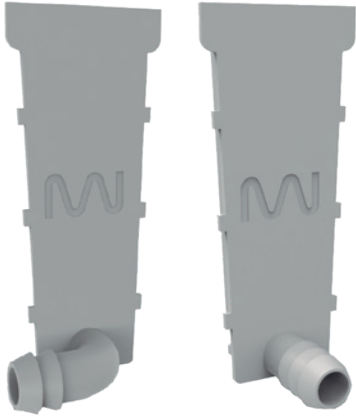
CONTINUOUS BASE SHOE

100% of the glass width must be contained in the profile

NOT SUITABLE FOR MODULAR USE

Water drainage

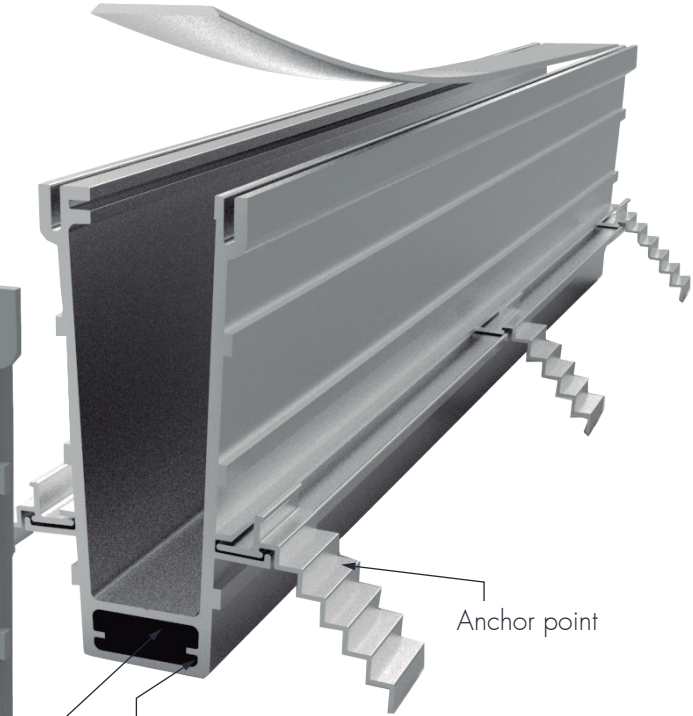
Optional



End cap with hose
Elbow

End cap with hose fitting

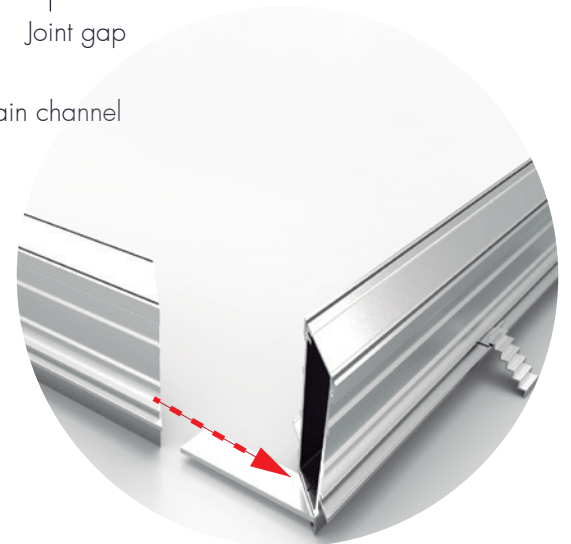
Paste with transparent
silicone sealant



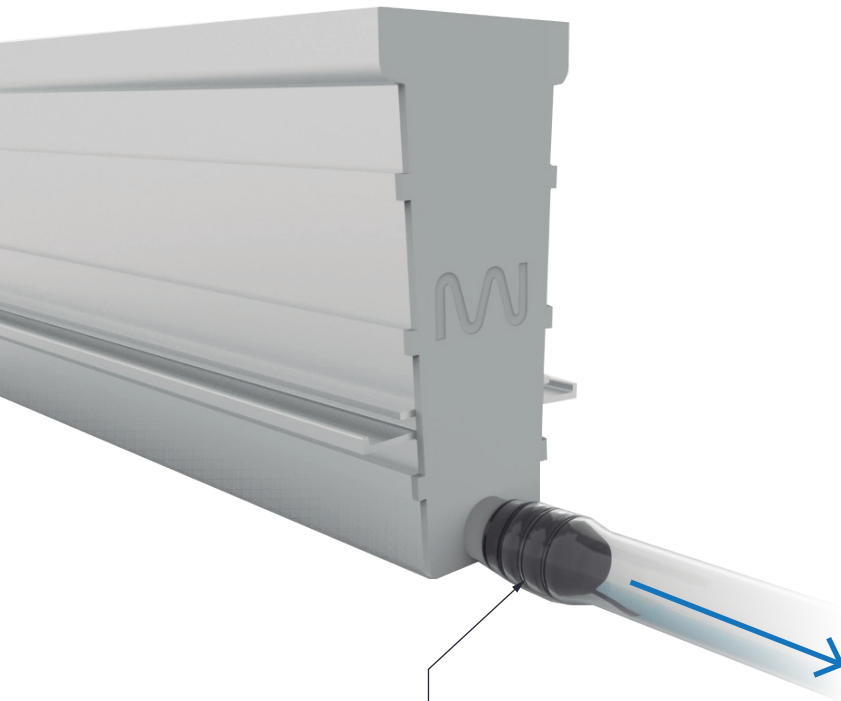
Anchor point

Joint gap

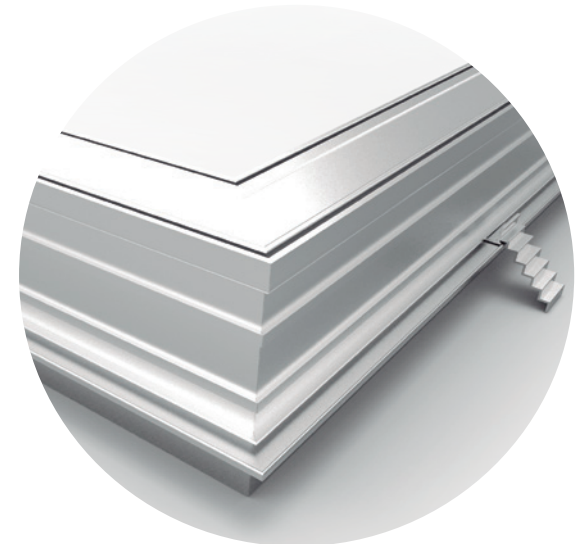
Drain channel



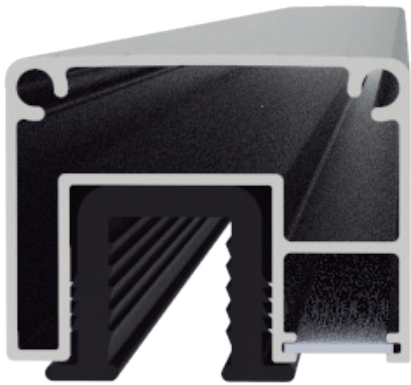
Embedded aluminium
anchor



Drain connection
to $\varnothing 14$ mm hose



HANDRAIL systems



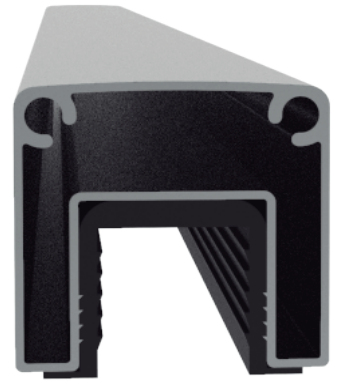
LED

KIT: K7



ROUND

KIT: K9



SQUARE

KIT: K8

Handrail installing

*First place the rubber gasket on top of the glass and then press the aluminum profile over it.

**With 8+8 and 10+10 glazing, place the rubber gasket inside the aluminum profile and then press them over the glass.

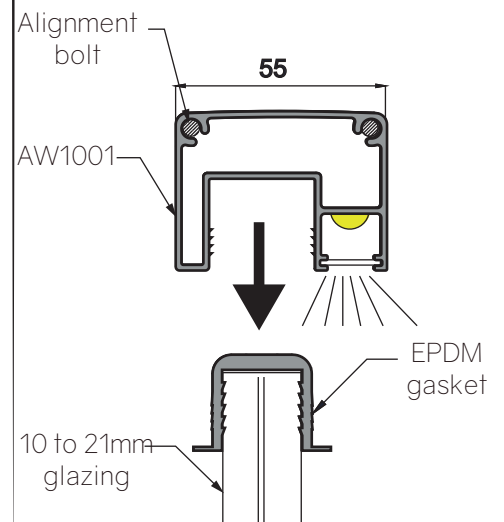
ALUMINUM HAND RAIL
(K7/ K8/ K9)

EPDM RUBBER
GASKET

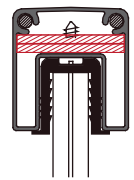
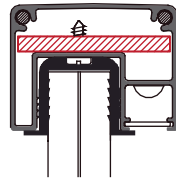
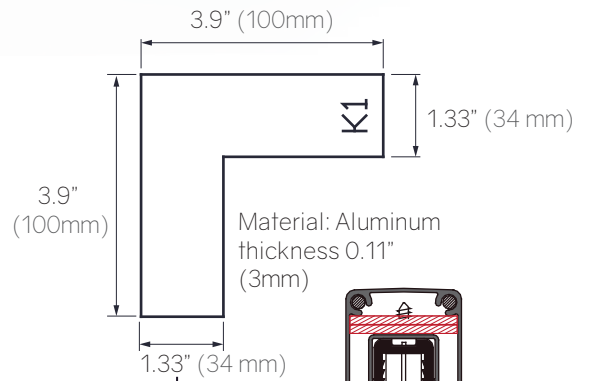
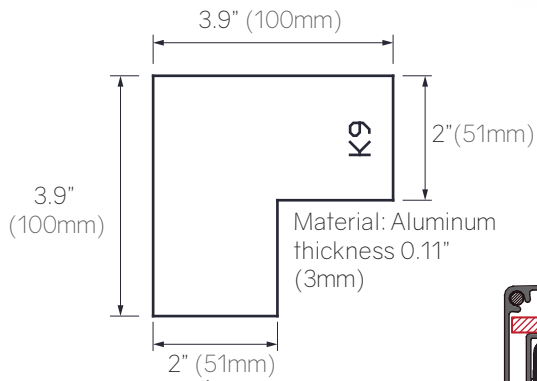
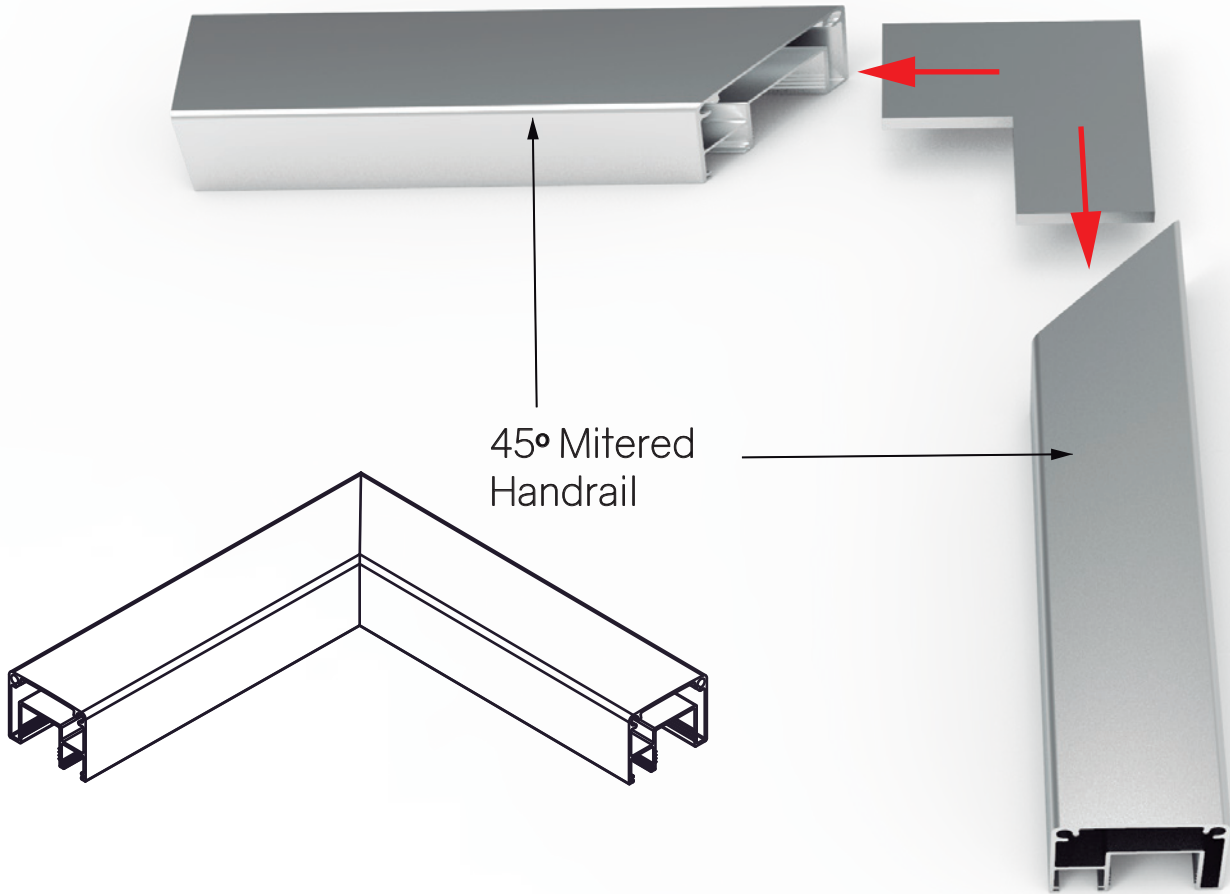


10 mm heat'n strenghtened glass
with Sentryglas interlayer 0.89mm
(6+6 / 8+8 / 10+10)

Attention!
A little pressure is needed to
push the handrail in its place.



Aluminum L Shape Connector



Square Handrail
KIT: K8

IMPERIA



GLASS RAILING



Your Profile

aluwindus.com

ALU WIND
Aluminum Extrusions