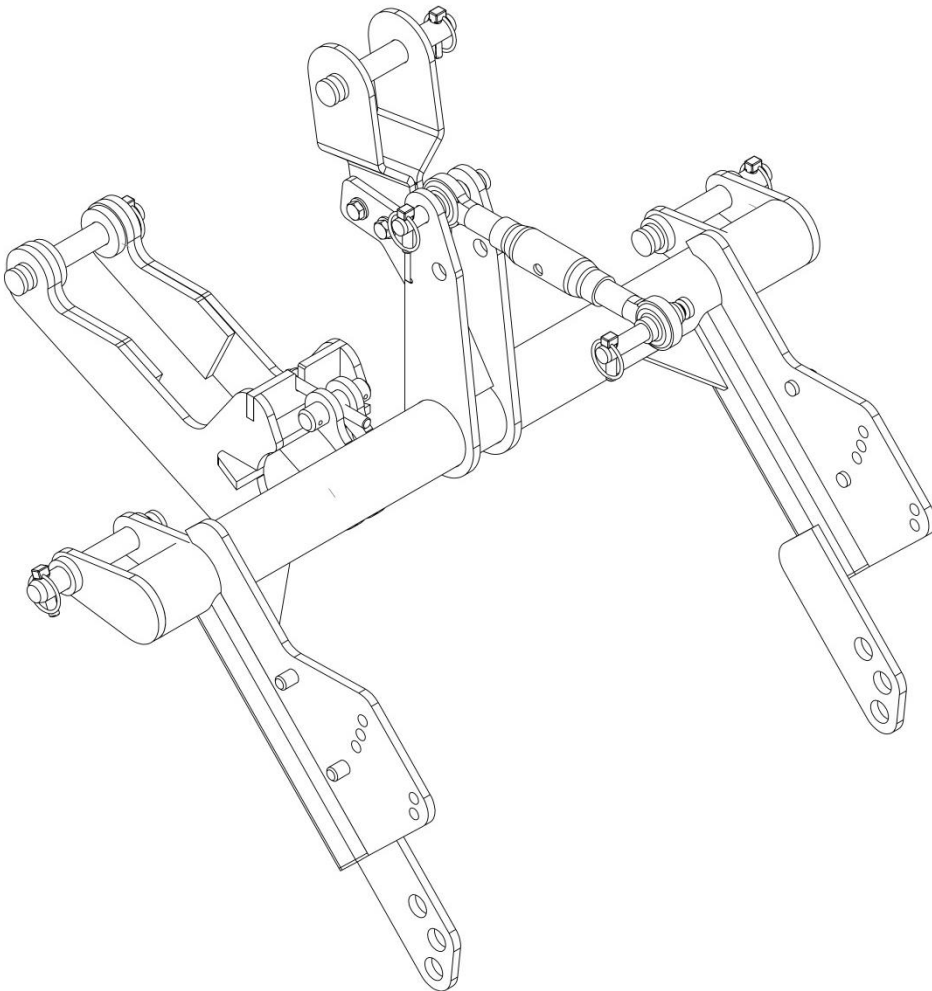


sisis[®]

IMPLEMENT MOUNTING FRAME – JOHN DEERE PRO-GATOR INSTRUCTION MANUAL





NOTE:-

MAKE A NOTE OF THE SERIAL NUMBER OF YOUR MACHINE AND ALWAYS QUOTE IT IN ANY COMMUNICATION WITH PERSONNEL AT DENNIS.

MACHINE SERIAL NUMBER

INTRODUCTION

The **SISIS Mounting Frame** is virtually maintenance-free.

It is advisable to read the instructions carefully. Proper care and attention will enable the machine to give a continuous, satisfactory, and reliable service.

In the case of any difficulty, or if further information or advice is required our service department is always at your call. In the interest of speed and accuracy of information please quote the serial number of the machine when making enquiries.

CONTENTS

	Page
Serial Numbers.....	1
Introduction.....	1
Operating Instructions.....	1
Assembly Instructions.....	2
Notes.....	3
Parts Listings.....	P0-P1
Notes.....	6

OPERATING INSTRUCTIONS



NOTE:-

PLEASE READ THESE OPERATING INSTRUCTIONS CAREFULLY BEFORE COMMENCING WORK.

We want you to obtain the best performance from this machine. If you have any difficulty in carrying out the following instructions please contact SISIS direct or your local SISIS Territory Manager or SISIS Dealer.

DESCRIPTION

The SISIS Mounting Frame (FS1251) has been designed to allow the use SISIS implements with a John Deere Pro-Gator.

This forms a 3-point linkage at the rear of the vehicle that is able to supply hydraulic action forcing implements into the ground.

SISIS Implement Mounting Frame (FS1251)

Step 1.1) Remove load carrying back. (Refer to manufactures instructions.)

Step 1.2) Remove pin from lift ram pivot point on chassis.

Step 1.3) Fit item 1 (RAM FRAME) to lift ram pivot point on chassis.

Step 1.4) Using item 2 (Frame retainer W.A) clamp the RAM frame to the tubular cross member.



NOTE:-

IT MAY BE NECESSARY TO LOOSEN AND REPOSITION THE VEHICLE HARNESS WHICH IS ATTACHED TO THE CROSS MEMBER.

Step 1.5) Turn the ram through 180 degrees and fit them to item 1 (RAM FRAME)



NOTE:-

IT MAY BE NECESSARY TO LOOSEN AND REPOSITION THE HYDRAULIC HOSES FROM THE RAM. ENSURE THESE ARE RETIGHTENED.

Step 1.6) Fit implement mounting frame over bottom link pins and secure with linch pins. Fit top link with pins and clips.

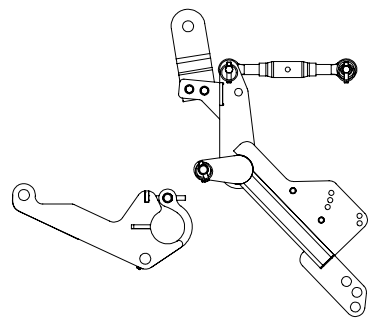
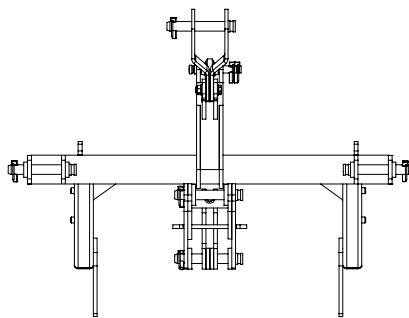
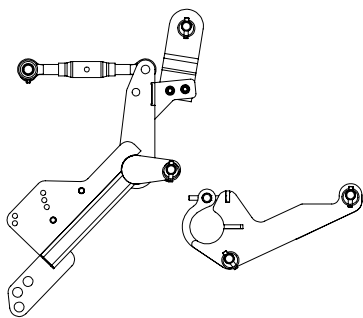
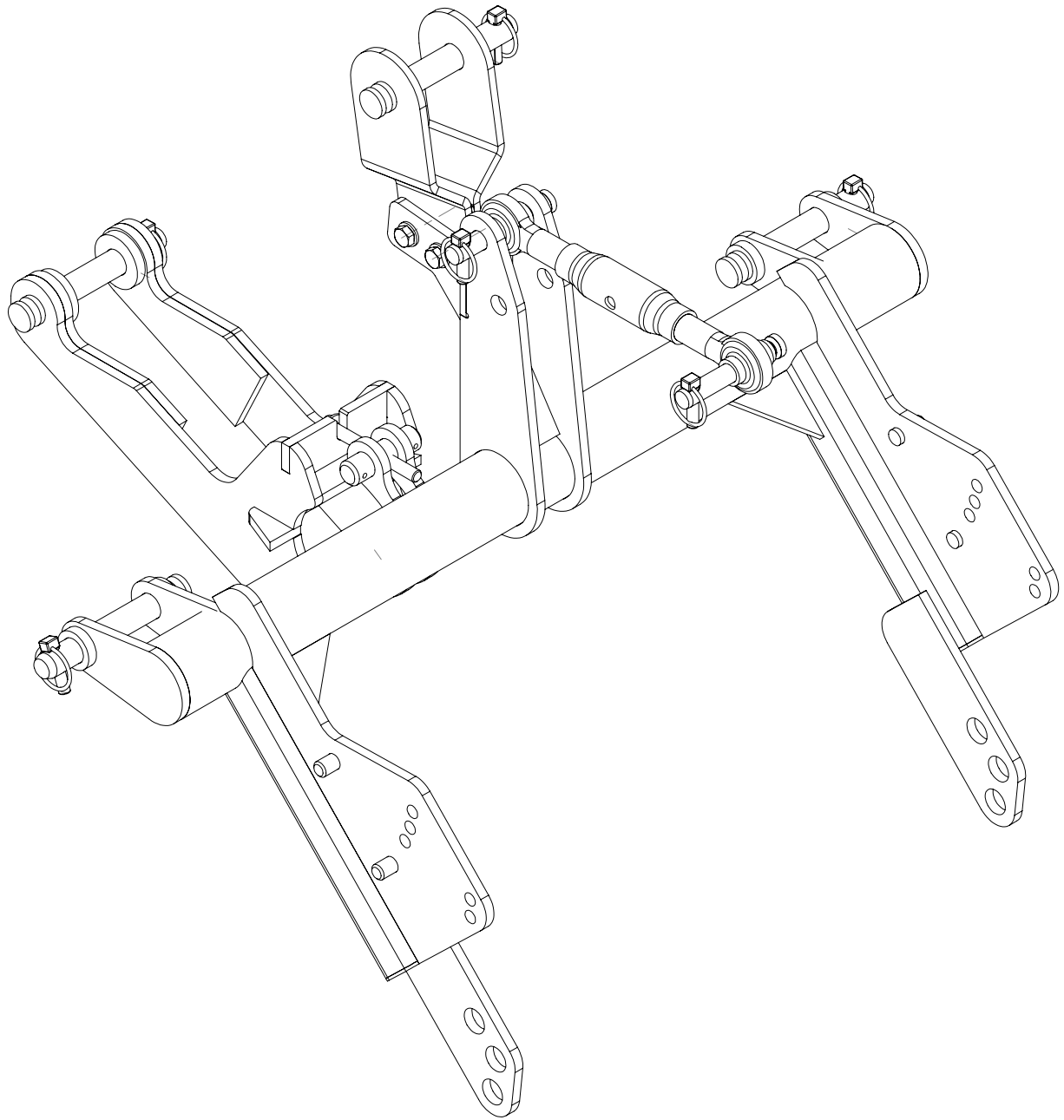
Step 1.7) Offer frame up to rear of the Pro-Gator until the holes in the jaws are aligned with the holes in the rear chassis pivot points. Fit pins.

Step 1.8) Fit ram end into item 9 (RAM LIFT ARM BRACKET). Secure with pin and clip.

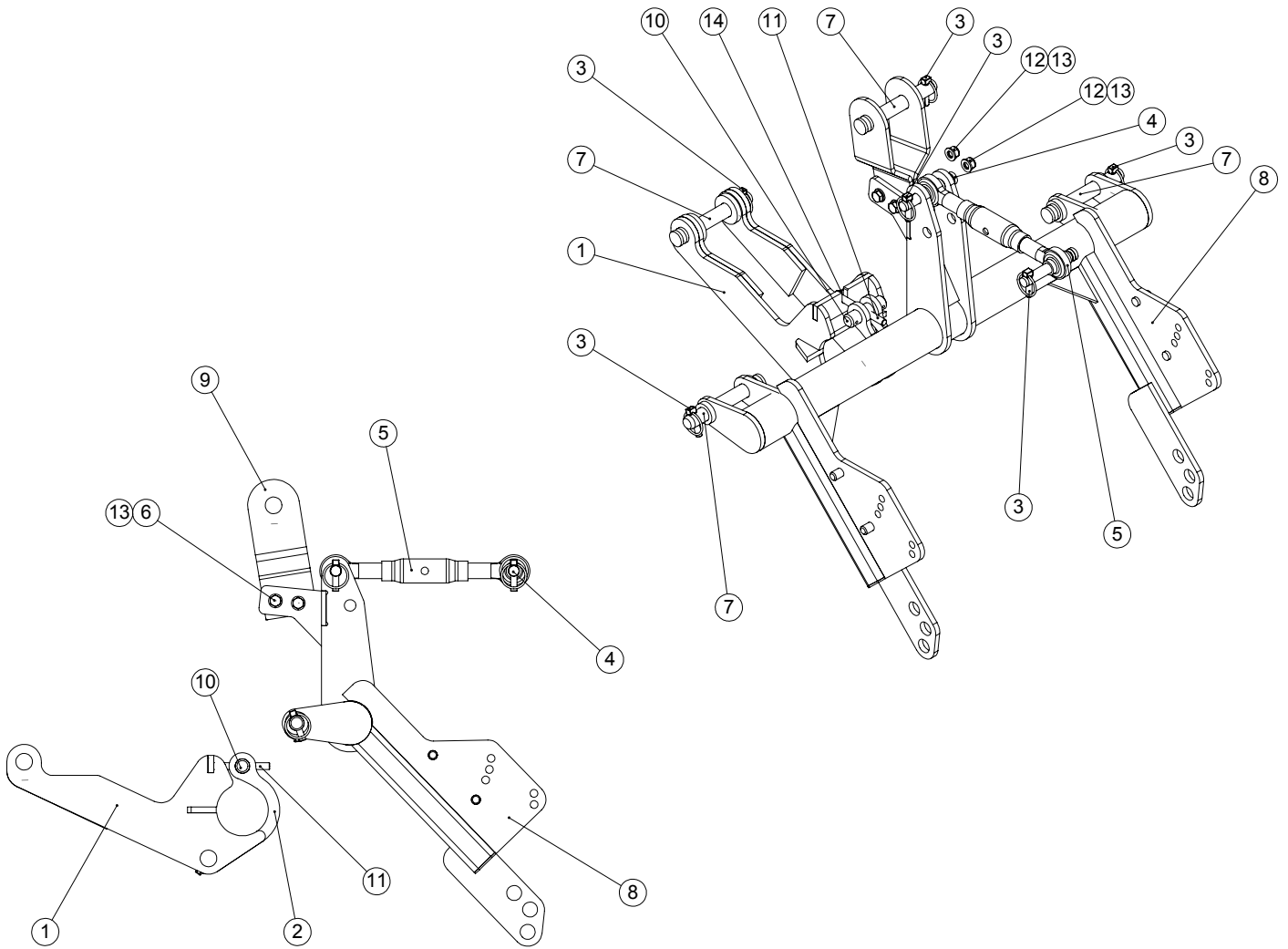
Step 1.9) Operate hydraulic rear lift lever to raise the implement clear of the ground. If the implement is fitted with a drop leg, raise and lock the leg into position.

Step 1.10) Adjust the top link so that the implement is level with the ground.

The Frame and Implement is now ready to use.



MOUNTING FRAME



ITEM NO.	PART NUMBER	DESCRIPTION	QTY.
1	401900_REV0	RAM FRAME	1
2	401906_REV0	FRAME RETAINER W.A.	1
3	D8326_REV1	PIN LINCH 7/16"	7
4	D8617_REV1	TOP LINK PIN 3/4"	2
5	D8665_REV1	TOP LINK	1
6	E1-1161_REV0	HEX SET SCREW M12 X 60	2
7	F21740_REV1	TOP LINK S80	5
8	F33959_REV2	MEDIUM TOOL FRAME	1
9	F36060_REV1	RAM LIFT ARM BRACKET	1
10	F37039_REV2	ADJUSTER PIN	1
11	SP01098_REV0	HEX BOLT M12 X 110	1
12	SP02010_REV0	NUT M12 NYLOC (T)	2
13	SP03012_REV0	WASHER M12 FORM A	4
14	SP03017_REV0	WASHER M12 FORM C	1



sisis®

SISIS, Ashbourne Road, Kirk Langley, Derbyshire, DE6 4NJ, England

**Tel: +44 (0) 1332 824 777
Fax: +44 (0) 1332 824 525**

Email: info@sisis.com

www.sisis.com

A division of Howardson Ltd – a proudly British company
Company reg No: 641526 – Vat No GB 345 9918 12