

IMPORTANT:BEFORE ASSEMBLING THIS COT READ AND UNDERSTAND THE INSTRUCTIONS.
Do not use mattress other than the one supplied by the manufacturer.Incorrect mattress can
cause death.Use only accessories as recommended by the manufacturers.Ensure the top rails
and base are fully locked.Stop using this cot if any part of the cot is broken, torn or missing.KEEP
THESE INSTRUCTIONS IN A SAFE PLACE FOR FUTURE REFERENCE.

InGenuity™

Smart & Simple Travel Cot™

#10116 AU

Travel Cot



**Failure to follow these warnings and the instructions could result in serious injury or death.**

- Always provide the supervision necessary for the continued safety of your child. When used for playing, never leave child unattended.
- Only use the product with one child at a time. • Do not move the product with child inside.
- To reduce the risk of SIDS (Sudden Infant Death Syndrome), pediatricians recommend healthy infants be placed on their back to sleep, unless otherwise advised by your physician.
- The product, including the side rails, must be fully erected prior to use. Make sure latches are secure.
- Never leave child in product with side lowered. Be sure side is in raised and locked position whenever child is in product.
- Keep children away while assembling/disassembling the cot.
- Pinching Hazard – Do not place fingers near corners when folding or unfolding cot.
- Product shall not be used without the mattress provided with the product.
- **USE ONLY THE MATTRESS SUPPLIED BY THE MANUFACTURER. INCORRECT MATTRESS CAN CAUSE DEATH.**
- Do not use a sheet designed to fit a full-sized crib. If a sheet is used with the pad, only use one specifically designed to fit this playard mattress. • Do not use the bassinet or playard if you cannot exactly follow these instructions.
- Do not modify playard or add any attachments that are not listed in the instruction guide.
- Keep carrying bag away from child.
- For indoor use only.
- **NEVER PLACE A CHILD IN THE COT WHEN THE BASSINET OR CHANGING TABLE ARE IN PLACE.**
- Child can become entrapped and die when improvised netting or covers are placed on top of a playard. Never add such items to confine child in playard.
- Do not leave anything on the folding cot (such as toys) that provide a foothold.
- Do not use the folding cot near naked heat sources, bar heaters, open fires or exposed flames.
- Keep the folding cot clear of trailing cables and hanging cords. Never place product near a window where cords from blinds or drapes can strangle a child.
- Keep medication and small items that a child could choke on, away from the cot.

FALL HAZARD**Playard:**

- Discontinue use of the product when child is able to climb out or reaches the height of 35 inches (890 mm) or weighs more than 30 lbs. (13.6 kg), whichever comes first.

Bassinet:

- TO PREVENT FALLS, THE BASSINET MUST NOT BE USED ONCE A CHILD CAN SIT UP.

Changing Table:

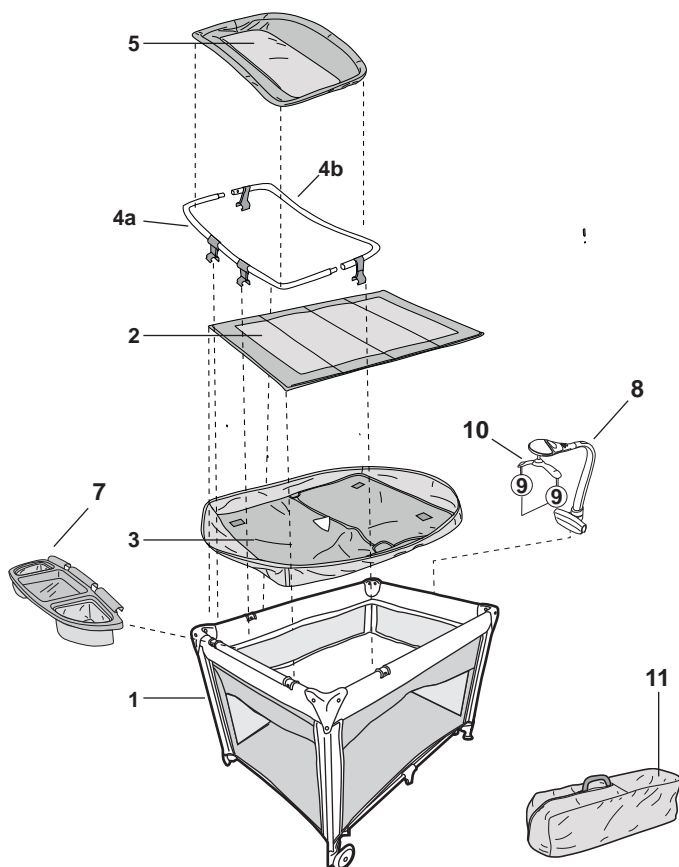
- The weight limit of the changing table is 25 lbs. (11 kg).
- Always stay within arm's reach of your child when using the changing table. NEVER LEAVE CHILD UNATTENDED.
- ALWAYS USE THE HARNESS WHEN USING THE CHANGE TABLE.
- Always properly secure the changing table to the playard rails.
- Do not use the changing table as a sleeping or play area.

IMPORTANT

- Adult assembly required
- Care should be taken in unpacking and assembly.
- Examine product frequently for damaged, missing, or loose parts.
- DO NOT use if any parts are missing, damaged, or broken.
- Contact Kids II for replacement parts and instructions if needed. Never substitute parts.
- Check this product for damaged hardware, loose joints, missing parts, or sharp edges before assembly and periodically during use.

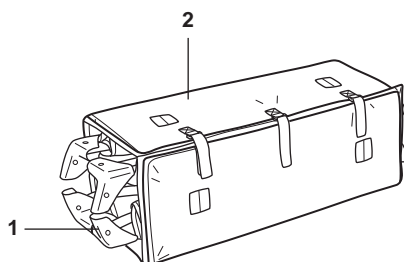
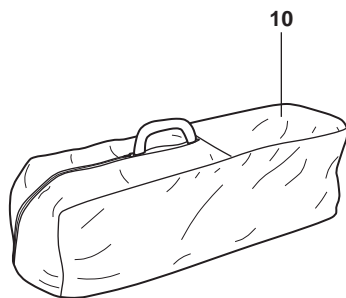
Parts List and Drawing

No. No. N°	Qty. Cant. Qté	Description
1	1	Travel Cot Assembly
2	1	Mattress for Travel Cot
3	1	Bassinet
4	1	Changing table, left
5	1	Changing table, right
6	1	Changing table cover
7	1	Storage Tray
8	1	Projector
9	2	Plush Toys
10	(1)	Toy bar
11	(1)	Carrying bag

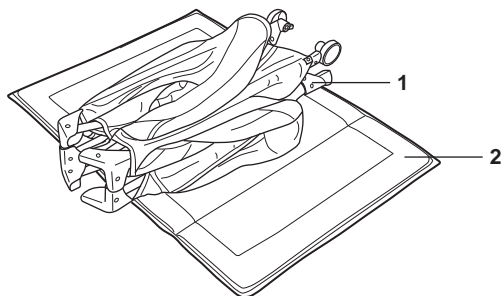


Assembly Instructions

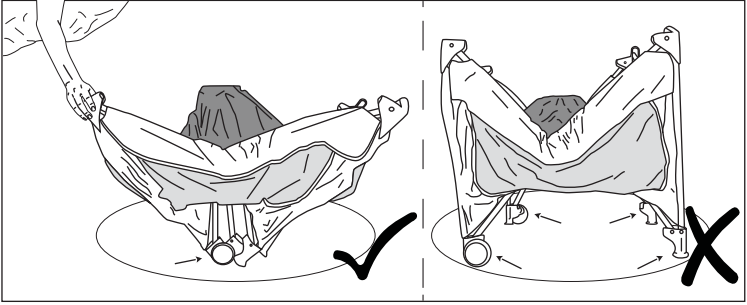
1



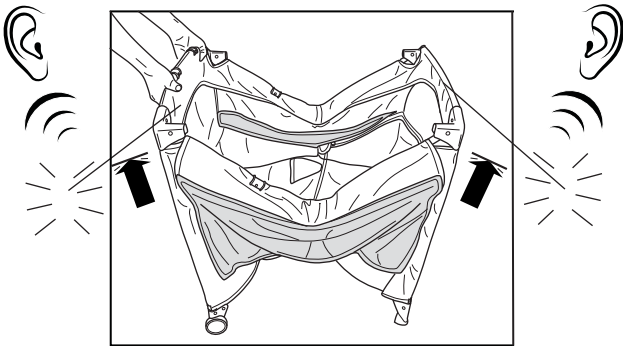
2



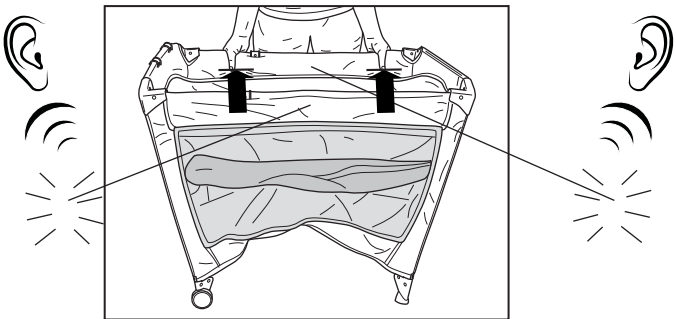
3



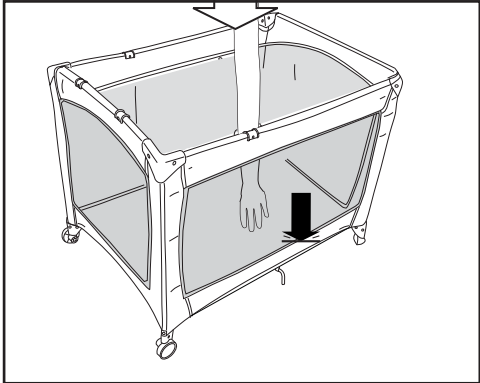
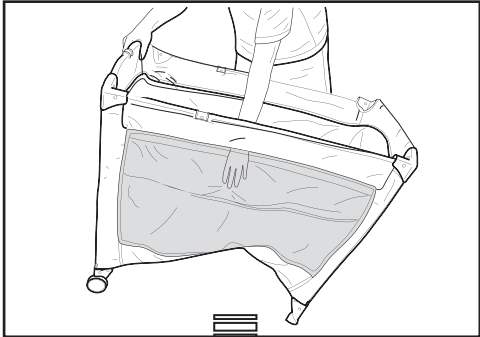
4



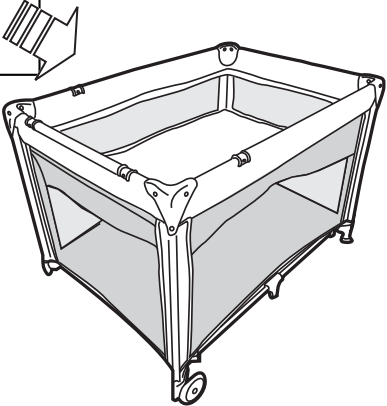
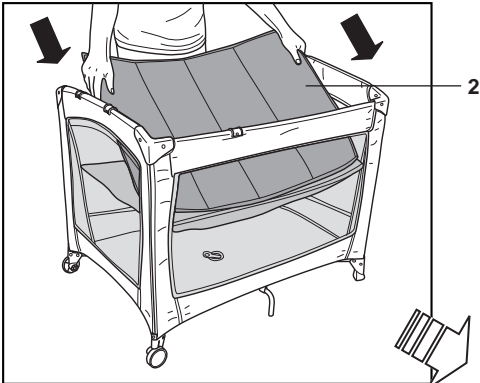
5



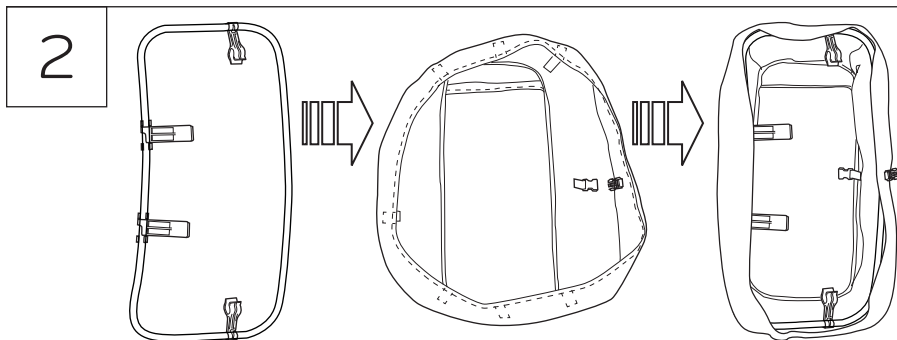
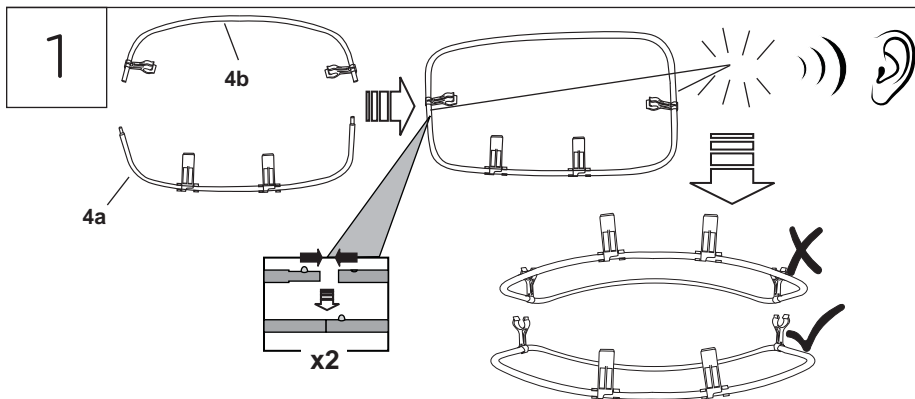
6



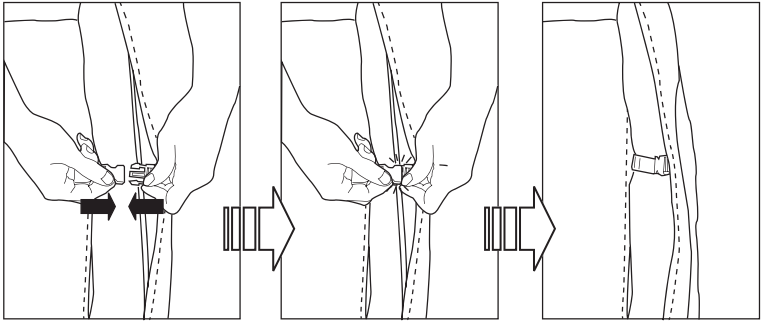
7



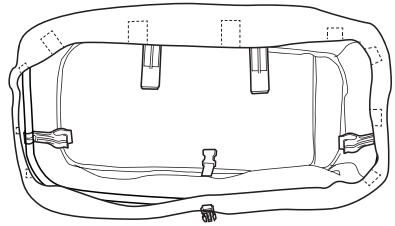
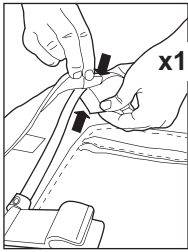
Changing Table Assembly



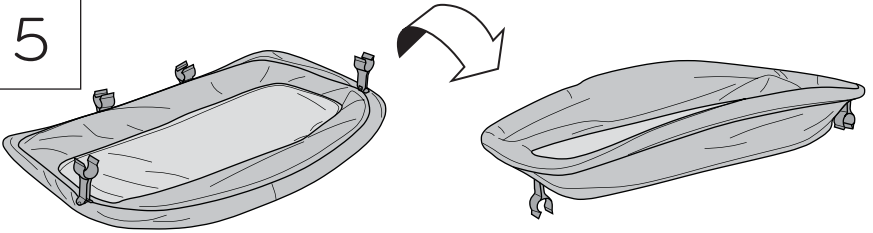
3



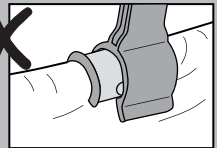
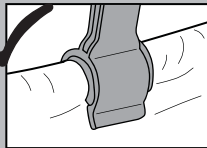
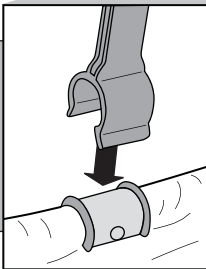
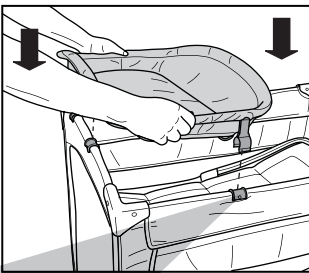
4



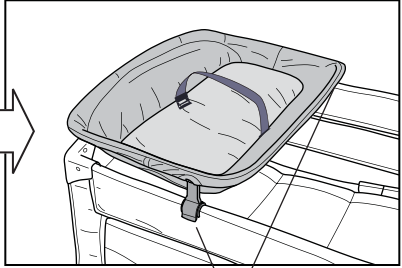
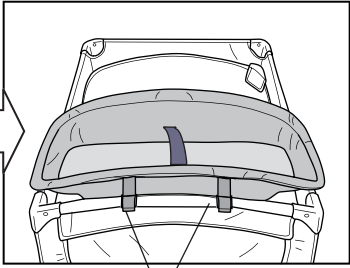
5



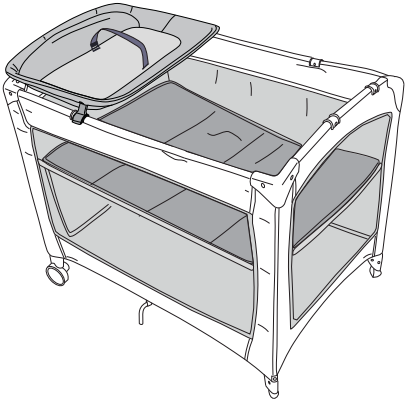
6



7

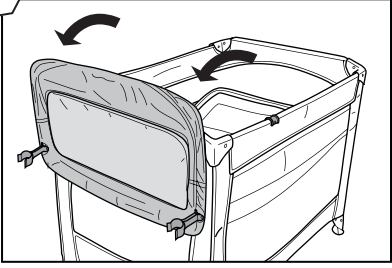
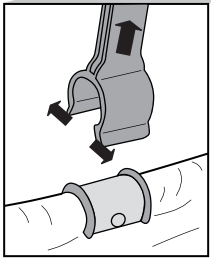
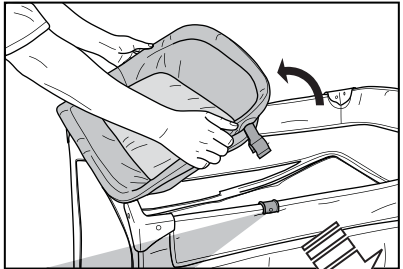


8



Changing Table Storage

1



Battery Installation

EN The Projector requires (3) size AAA/LR03 (1.5V) batteries for normal operation (not included).



CAUTION: Follow the battery guidelines in this section. Otherwise, battery life may be shortened or the batteries may leak or rupture.

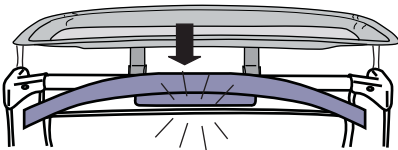
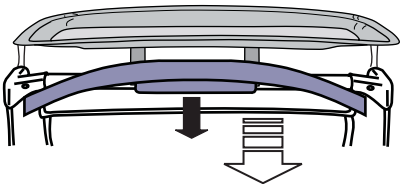
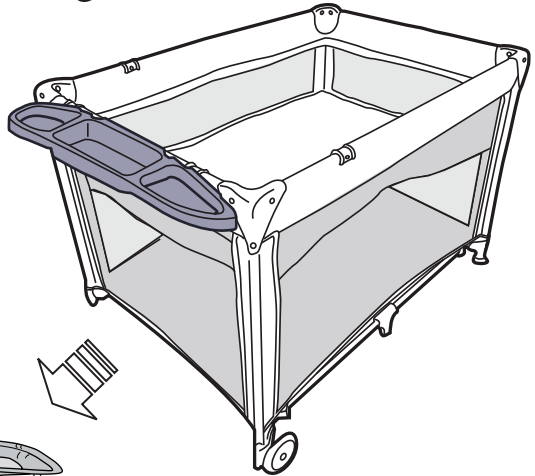
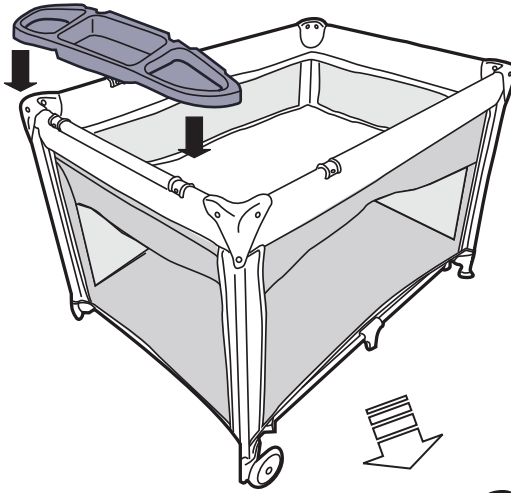
- Always keep batteries away from children.
- Do not mix old and new batteries.
- Do not mix alkaline, standard, or rechargeable batteries.
- Only batteries of the same or equivalent type as recommended are to be used.
- Install the batteries so that the polarity of each one matches the markings in the battery compartment.
- Do not short-circuit the batteries.
- Do not store batteries in areas that have extreme temperatures (such as attics, garages, or automobiles).
- Remove exhausted batteries from the battery compartment.
- Never attempt to recharge a battery unless it is specifically marked "rechargeable."
- Rechargeable batteries are to be removed from the toy before being charged.
- Rechargeable batteries are only to be charged under adult supervision.
- Do not use rechargeable alkaline batteries in a Ni-Cad or Ni-MH battery charger.
- Please use the correct disposal method for batteries.
- Remove batteries before putting the product into storage for a prolonged period of time.
- Weak batteries cause erratic product operation, including distorted sound, dimming or failed lights, and slow or non-working motorized parts. Because each electrical component requires a different operating voltage, replace the batteries when any function fails to operate.
- Do not dispose of product or batteries in fire, batteries may explode or leak.



This symbol indicates that the product is not to be disposed of in household waste as batteries contain substances that can be damaging to the environment and health. Contact local authority for recycling & collection information.

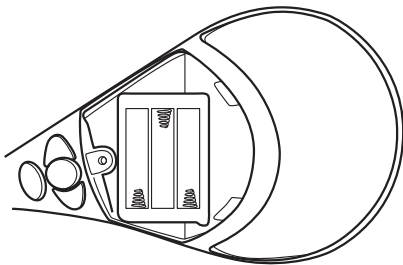
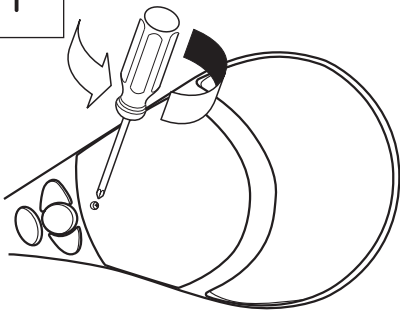
Storage Tray Assembly


1

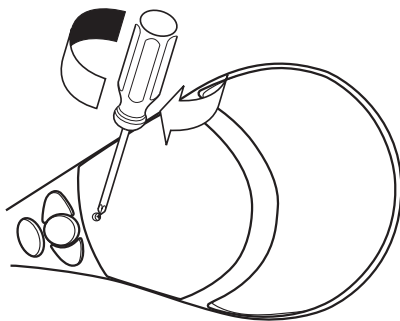
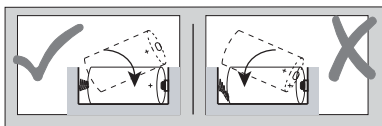
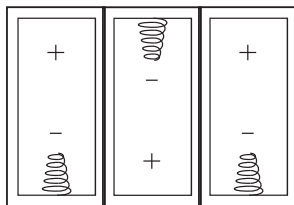


Using the Projector

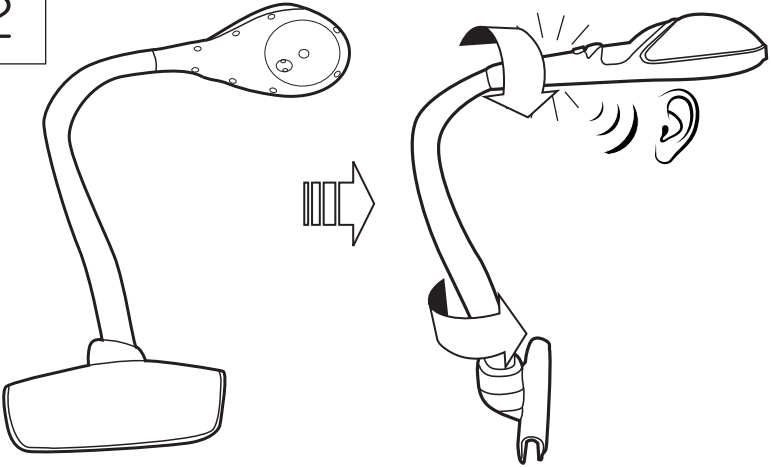
1



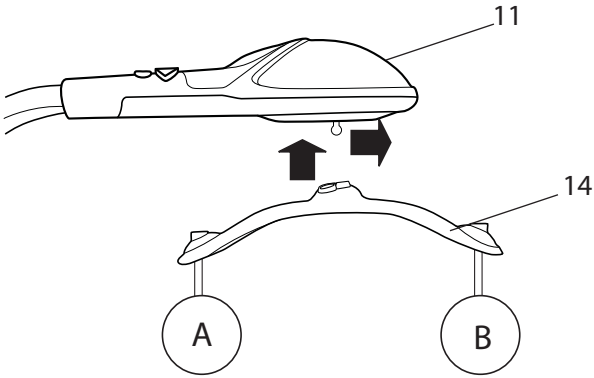
3x  1.5V
AAA/LR03



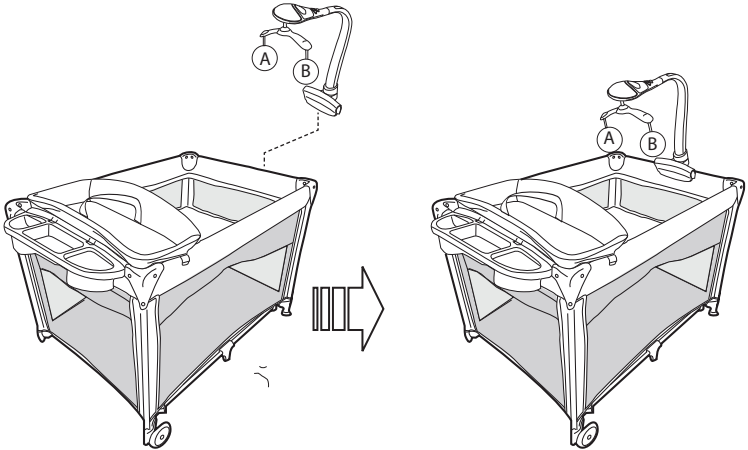
2



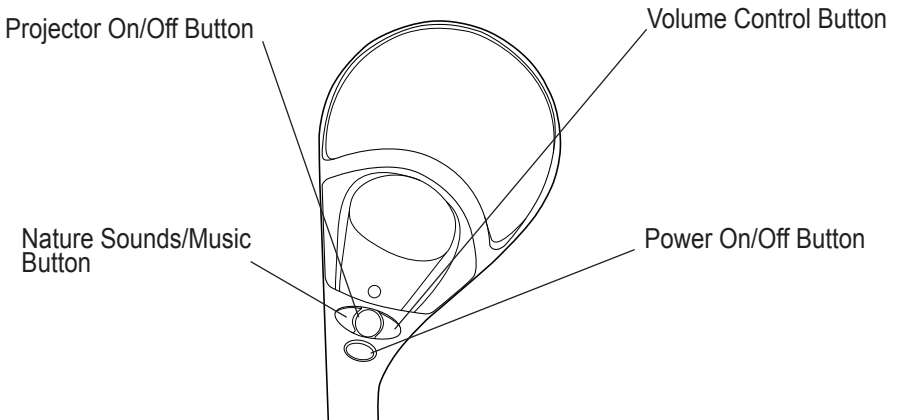
3



4



Using the Projector



EN



Press the Power On/Off Button to Power the Projector



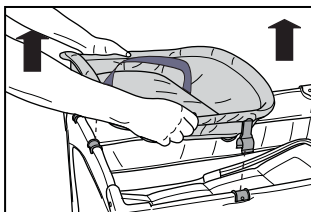
To use the projector function - Press the Power On/Off Button. Automatic shutoff occurs after 25 minutes



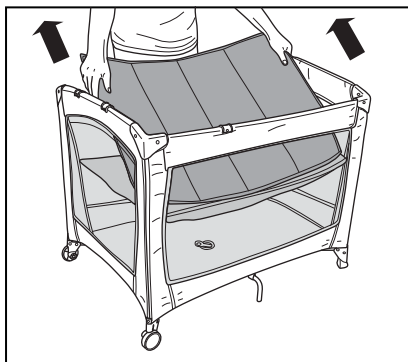
To use the music function - Press the Nature Sounds/Music Button as needed to select the desired nature sound or melody. Press the Volume Control Button to select the volume level.

Folding the Travel Cot

1



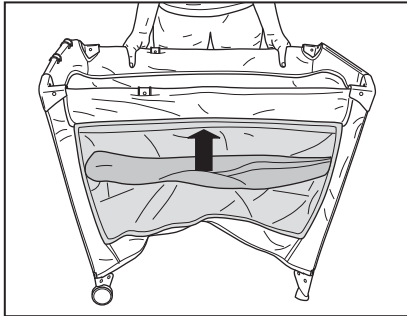
2



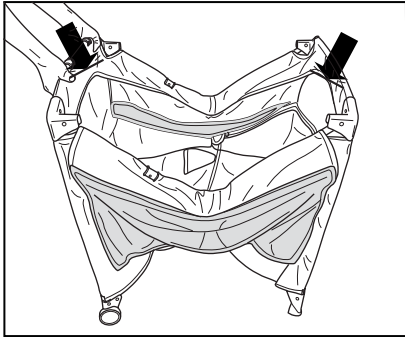
3



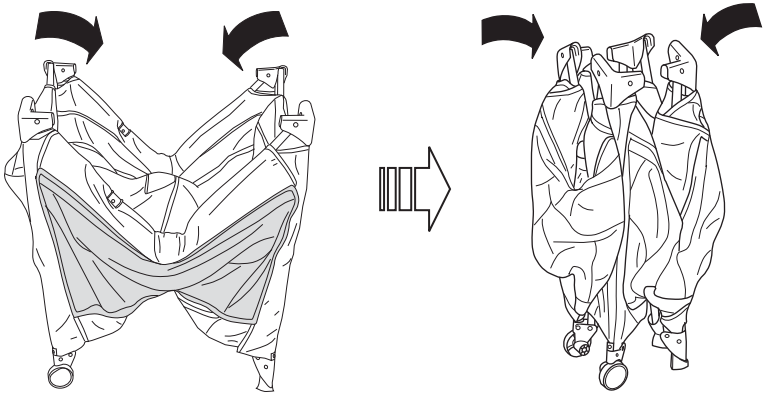
4



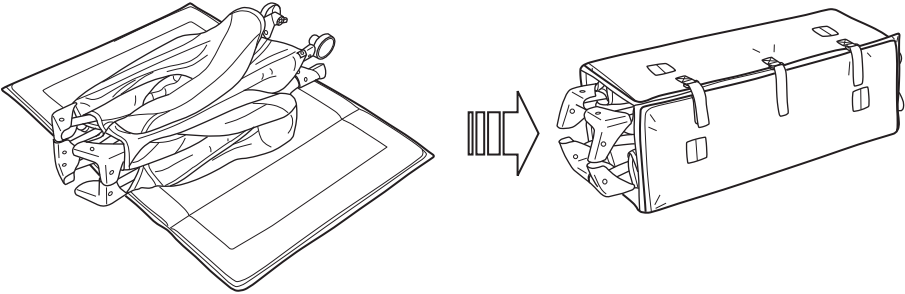
5



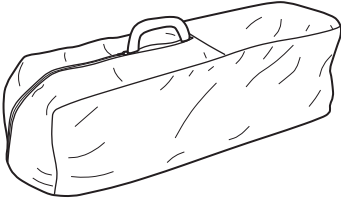
6



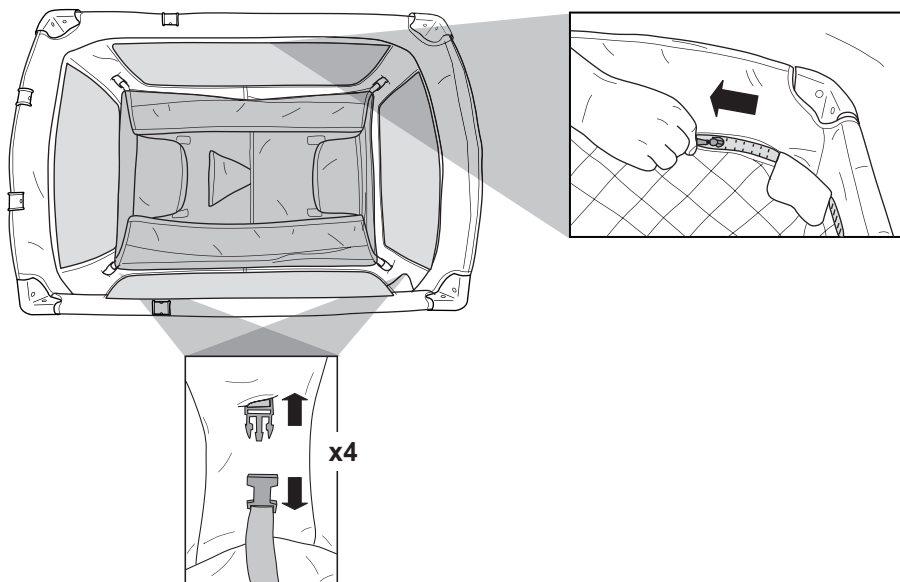
7



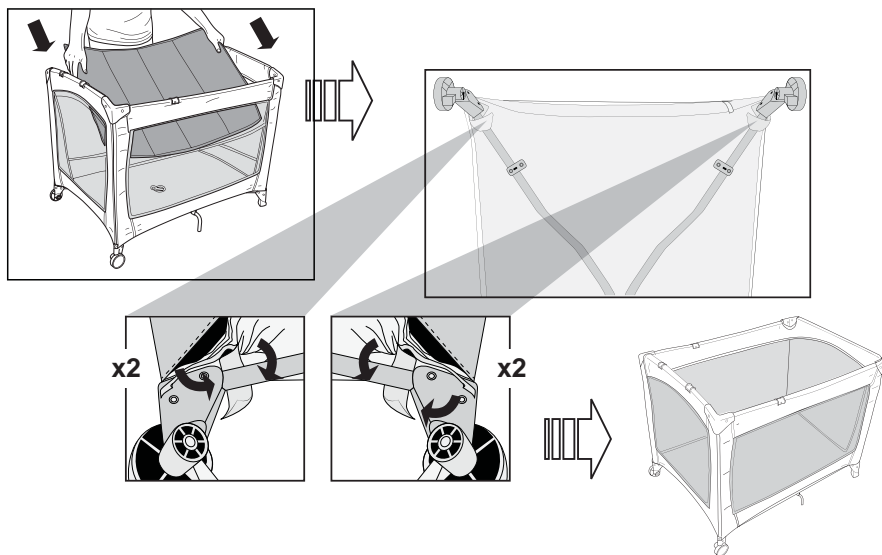
8



Removing the Bassinet

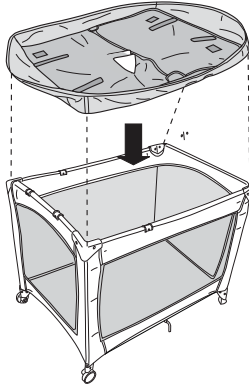


Playard Setup Without Bassinet

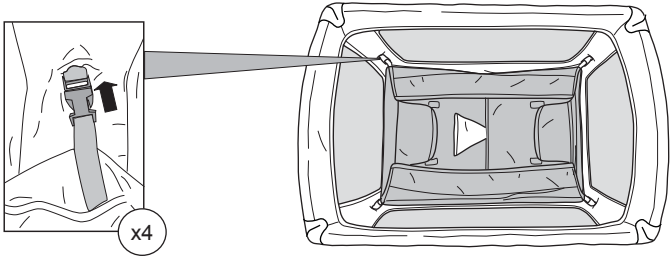


Installing the Bassinet

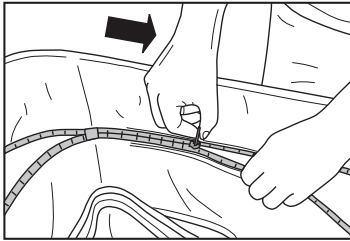
1



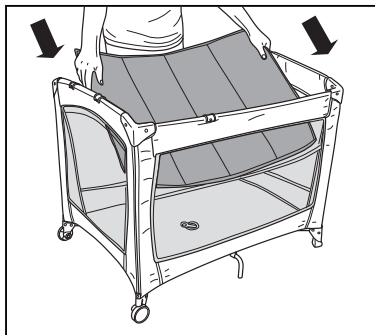
2



3



4



Care and Cleaning

EN Bassinet – Remove from frame. Machine wash in cold water, gentle cycle. Air dry flat. No bleach. Spot clean with a soft, clean cloth and mild soap.

Mattress and Changing Table– Remove structural boards. Fasten all hook-and-loop tabs. Fasten buckles. Machine wash in cold water, gentle cycle. Air dry flat. No bleach. Spot clean with a soft, clean cloth and mild soap.

Carrying bag – Machine wash in cold water on delicate cycle. Air dry. No bleach. Spot clean with a soft, clean cloth and mild soap.

Storage Tray - Spot clean with a soft, clean cloth and mild soap.

MANUFACTURED FOR • FABRIQUÉ POUR  • ©2015 KIDS II, INC. • www.kidsii.com/customerservice

KIDS II, INC., ATLANTA, GA USA 30305 • 1-800-230-8190

KIDS II CANADA CO. TORONTO, ONTARIO CANADA M2J 5C2 • 1-800-230-8190

KIDS II AUSTRALIA PTY LIMITED CASTLE HILL, NSW AUSTRALIA 2154 • (02) 9894-1855

KIDS II JAPAN K.K. SHINJUKU-KU, TOKYO, JAPAN, 163-0529 • (03) 5322-6081

KIDS II US MÉXICO S.A. DE C.V. AVE. VASCO DE QUIROGA NO. 3900 – 905A COL. LOMAS DE SANTA FE • CUAJIMALPA DE MORELOS, MÉXICO D.F. • C.P. 05300 • (55) 5292-8488

KIDS II UK LTD. 725 CAPABILITY GREEN, LUTON, BEDFORDSHIRE, UK, LU1 3LU • +44 01582 816 080

EN • ES • FR • DE • PT • RU • 10116_AU_IS_82915-KN • Printed in China • Imprimé en Chine