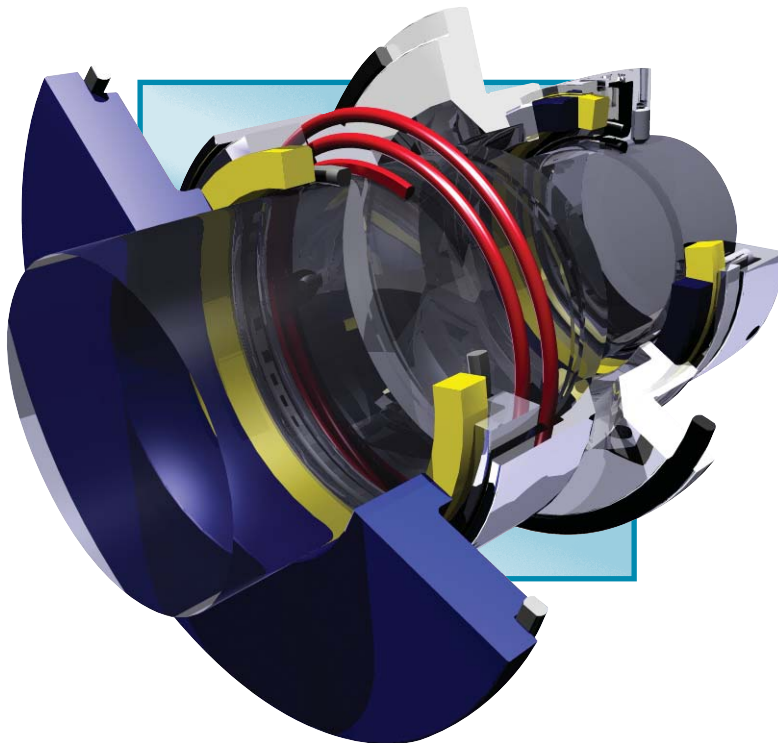




ENVIRONMENTAL TECHNOLOGY

T05™ Series Replacement Seals for Flygt® and Grindex® Pumps



- **EASY TO INSTALL**
- **NO PUMP MODIFICATIONS NECESSARY**
- **NO SPECIAL FITTING TOOLS REQUIRED**
- **NO PLASTIC PARTS**
- **STAINLESS STEEL METAL PARTS**
- **MOST SEALS PRESET TO WORKING LENGTH WITH REMOVABLE SETTING CLIPS**
- **MANY SEALS UTILIZE MONOLITHIC SEAL FACES**
- **SIGNIFICANT COST SAVINGS POSSIBLE**



AESSEAL® Component Seals

Growing environmental awareness, changing consumer behavior and more aggressive competition mean that both new and traditional markets are demanding ideas, innovative products and above all, service.

The T05™ Series development is the result of a global strategy to expand the AESSEAL® product range which will allow further penetration into new markets and offer a more complete service to existing customers.

At the core of this strategy is the improvement of existing products and design excellence which has helped us achieve superior product performance.



AESSEAL Inc. Knoxville USA.



AESSEAL® Inventory Carousel system

AESSEAL® has probably the widest component seal range in the industry. Products include unitized rubber bellows designs as well as conventional single & multi spring pusher products.

AESSEAL® embraces new technology throughout the entire corporation. Component Seals are inventoried in state of the art, computer controlled carousel systems. This unmanned storage facility is linked to the corporate business system to automate customer order processing. This strong customer focus results in exceptional customer service.

AESSEAL® T05™ Series

The AESSEAL® T05™ Series of component seals are designed to be replacement seals for Flygt® submersible pumps and mixers.

This range requires no pump modifications and no special fitting tools and the majority of designs have a preset working length with removable setting clips.

There are no plastic parts as the majority are made from stainless steel. Many seals also benefit from the use of monolithic seal faces.



AESSEAL® Product Selector

AESSEAL® has launched a Product Selector tool that allows its user to specify an AESSEAL® mechanical seal via a simple multiple choice method.

Available at www.aesseal.com under the Product section the Product Selector covers most T05™ variants.

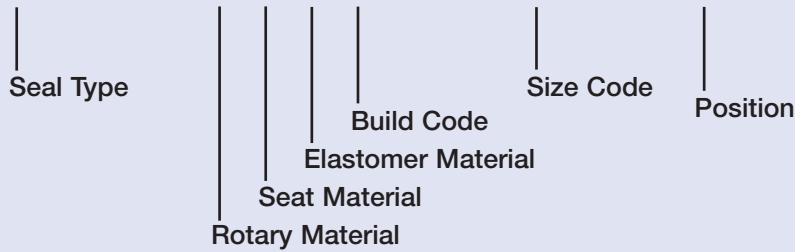


Above: The Product Selector showing the drop down menu method where the user can select a named product.

Seal Coding System



T05M - GGX1 - 0350 - L



MATERIAL CODE (Rotary & Seat)

A = Carbon
D = Silicon Carbide
E = Stainless Steel
G = Tungsten Carbide

MATERIAL CODE (Elastomer)

X = Nitrile

BUILD CODE

1 = Standard

SIZE CODE

0350 = 35 mm

POSITION

L = Lower
U = Upper

EXAMPLES

Seal Code T05A - AEX1 - 0220 - U

Seal Type	Material Code	Build Code	Size Code	Position
T05A	A - Carbon (Rotary) E - Stainless Steel Seat X - Nitrile	1 Standard	0220 = 22mm	U = Upper Seal

Seal Code T05P - AGX1 - 0600 - U

Seal Type	Material Code	Build Code	Size Code	Position
T05P	A - Carbon (Rotary) G - Tungsten Carbide Seat X - Nitrile	1 Standard	0600 = 60mm	U = Upper Seal

Seal Code T05T-GGX1-1200-L

Seal Type	Material Code	Build Code	Size Code	Position
T05T	G - Tungsten Carbide Rotary G - Tungsten Carbide Seat X - Nitrile	1 Standard	1200 = 120mm	L = Lower Seal

More AESSEAL® Single Spring Component Seals



AESSEAL® is able to offer one of the largest ranges of Component (Single-Spring) Mechanical Seals in the industry.

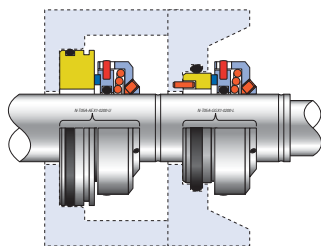
The Component Seal range covers the following major product families: Enclosed Rubber Bellows Seals in metric and imperial sizes, Parallel-Spring Rubber Diaphragm Seals in metric and imperial sizes, Tapered Spring Seals in metric sizes, PTFE Wedge Seals in metric and imperial sizes and many OEM specific seals.

For more information on any AESSEAL® Component Seal contact our UK and USA branches at the addresses on the back page of this brochure.

To order the literature contact the Marketing Department at marketing@aes seal.com or download it from our website at www.aes seal.com.



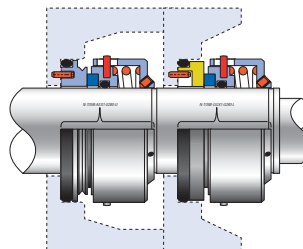
T05™ Series



T05A Upper / T05A Lower

20mm Upper / Lower seal. Robust & compact seal with unitised, grub/set screwed rotary. Complete with removable setting clip.

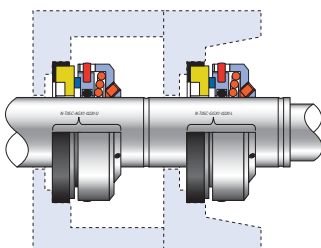
See page: 6



T05B Upper / T05B Lower

28mm Upper / Lower seal. Robust & compact seal with unitised, grub/set screwed rotary. Complete with removable setting clip.

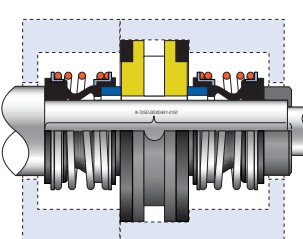
See page: 6



T05C Upper / T05C Lower

22mm Upper / Lower seal. Robust & compact seal with unitised, grub/set screwed rotary. Complete with removable setting clip. Seats designed to replace original seat & wear protector.

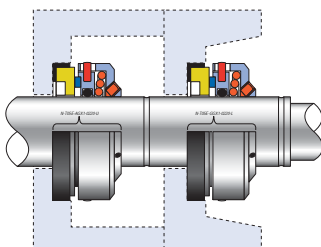
See page: 7



T05D Double Seal

15mm Double seal. Enclosed bellows rotary design, complete with monolithic stationary face & setting collar.

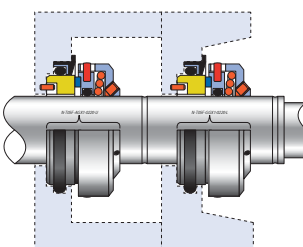
See page: 7



T05E Upper / T05E Lower

22mm Upper / Lower seal. Robust & compact seal with unitised, grub/set screwed rotary. Complete with removable setting clip.

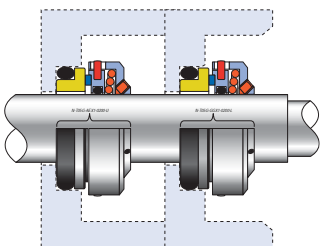
See page: 8



T05F Upper / T05F Lower

22mm Upper / Lower seal. Robust & compact seal with unitised, grub/set screwed rotary. Complete with removable setting clip.

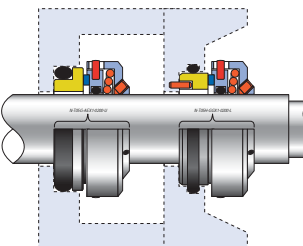
See page: 8



T05G Upper / T05G Lower

20mm Upper / Lower seal. Robust & compact seal with unitised, grub/set screwed rotary. Complete with removable setting clip.

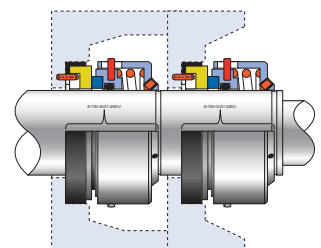
See page: 9



T05H Upper / T05H Lower

22mm Upper / Lower seal. Robust & compact seal with unitised, grub/set screwed rotary. Complete with removable setting clip.

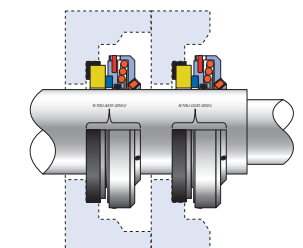
See page: 10



T05I Upper / T05I Lower

28mm Upper / Lower seal. Robust & compact seal with unitised, grub/set screwed rotary. Complete with removable setting clip.

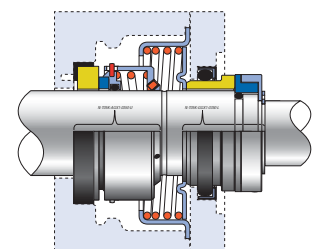
See page: 11



T05J Upper / T05J Lower

25mm Upper / Lower seal. Robust & compact seal with unitised, grub/set screwed rotary. Complete with removable setting clip.

See page: 12

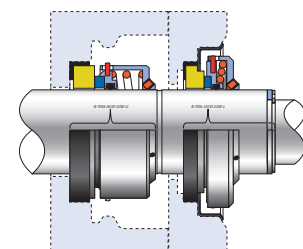


T05K Upper / T05K Lower

35mm Upper seal. Robust & compact seal with unitised, grub/set screwed rotary. Complete with removable setting clip.

35mm Lower seal. Robust design with monolithic seal faces.

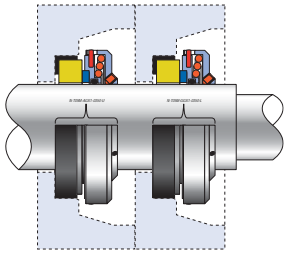
See page: 13



T05L Upper / T05L Lower

35mm Upper / Lower seal. Robust & compact seal with unitised, grub/set screwed rotary. Complete with removable setting clip.

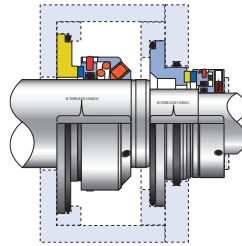
See page: 13



**T05M Upper /
T05M Lower**

35mm Upper / Lower seal. Robust & compact seal with unitised, grub/set screwed rotary. Complete with removable setting clip.

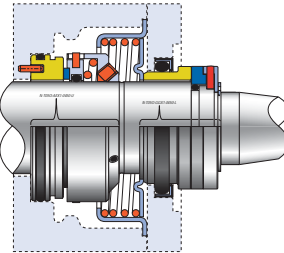
See page: 14



**T05N Upper /
T05N Lower**

45mm Upper / 35mm Lower seal. Robust & compact seal with unitised, grub/set screwed rotary. Complete with removable setting clip (Upper seal).

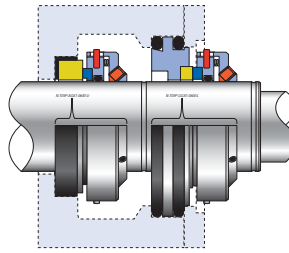
See page: 15



**T05O Upper /
T05O Lower**

45mm Upper seal. Robust & compact seal with unitised, grub/set screwed rotary. Complete with removable setting clip. 45mm Lower seal. Robust design with monolithic seal faces.

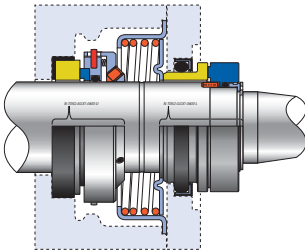
See page: 16



**T05P Upper /
T05P Lower**

60mm Upper / Lower seal. Robust & compact seal with unitised, grub/set screwed rotary. Complete with removable setting clip.

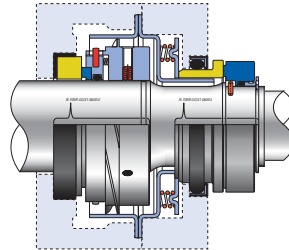
See page: 16



**T05Q Upper /
T05Q Lower**

60mm Upper seal. Robust & compact seal with unitised, grub/set screwed rotary. Complete with removable setting clip. 60mm Lower seal. Robust design with monolithic seal faces.

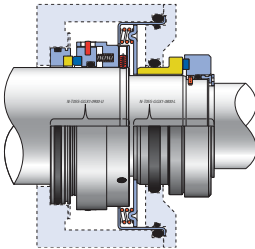
See page: 17



**T05R Upper /
T05R Lower**

60mm Upper seal. Robust & compact seal with unitised, grub/set screwed rotary. Complete with fully machined impeller & removable setting clip. 60mm Lower seal. Robust design with monolithic seal faces.

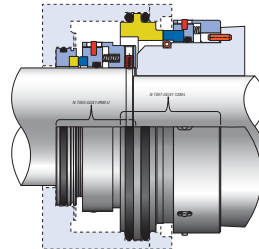
See page: 17



**T05S Upper /
T05S Lower**

90mm Upper seal. Robust & compact seal with unitised, grub/set screwed rotary. 80mm Lower seal. Robust design with monolithic stationary face.

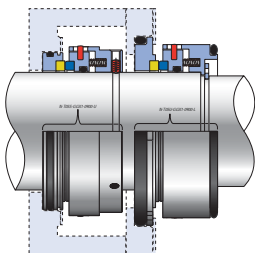
See page: 18



**T05T Upper /
T05T Lower**

90mm Upper seal. Robust & Compact seal with unitised, grub/set screwed rotary. 120mm Lower seal. Robust & compact seal with unitised, grub/set screwed rotary.

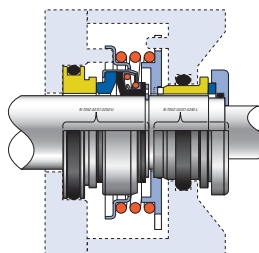
See page: 19



**T05U Upper /
T05U Lower**

90mm Upper seal. Robust & compact seal with unitised, grub/set screwed rotary. 90mm Lower seal. Robust & compact seal with unitised, grub/set screwed rotary.

See page: 20



**T05Z Upper /
T05Z Lower**

25mm Upper seal. Simple & compact seal with unitised rotary & monolithic stationary face. 24mm Lower seal. Robust design with monolithic Stationary face.

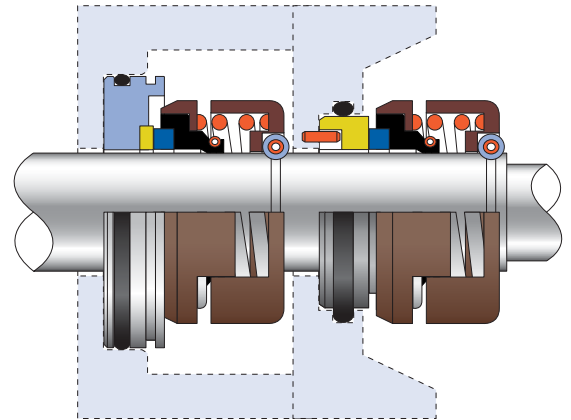
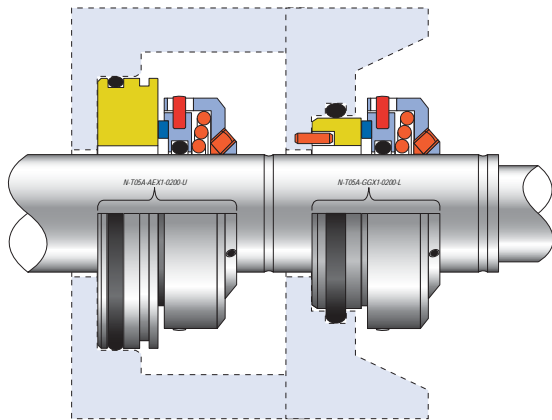
See page: 21



T05A Upper / T05A Lower

AESSEAL®

Flygt®



- T05A UPPER / T05A LOWER**
- Robust & compact rotary design
 - Grub/set screwed (Allen Key included)
 - Stainless Steel metal parts
 - No plastic parts
 - Unitised rotary, no loose faces to fall out during installation

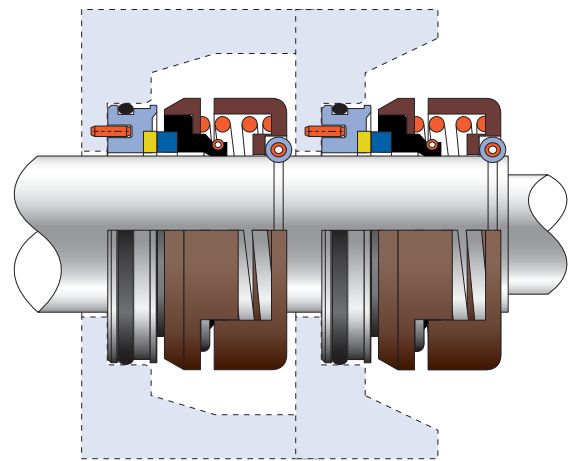
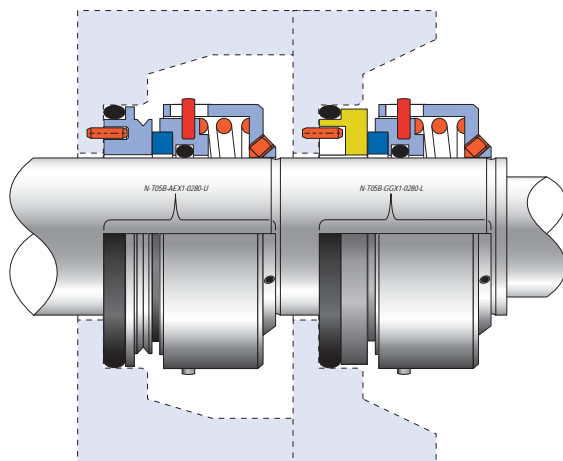
- Monolithic stationary faces
- Supplied with removable setting clip

REFERENCE CODES
 N-T05A-AEX1-0200-U
 N-T05A-GGX1-0200-L

T05B Upper / T05B Lower

AESSEAL®

Flygt®



- T05B UPPER / T05B LOWER**
- Robust & compact rotary design
 - Grub/set screwed (Allen Key included)
 - Stainless Steel metal parts
 - No plastic parts
 - Unitised rotary, no loose faces to fall out during installation

- Monolithic stationary faces
- Supplied with removable setting clip

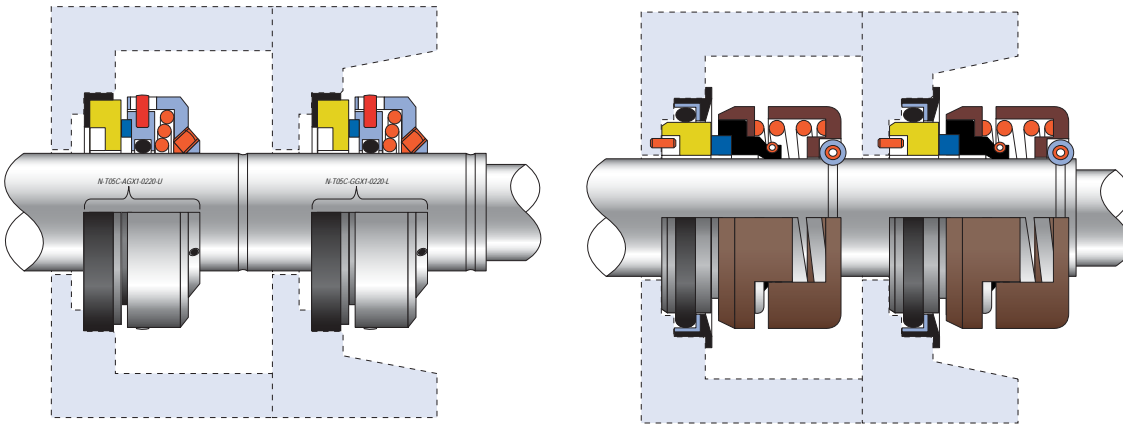
REFERENCE CODES
 N-T05B-AEX1-0280-U
 N-T05B-GGX1-0280-L

T05C Upper / T05C Lower



AESSEAL®

Flygt®



T05C UPPER / T05C LOWER

- Robust & compact rotary design
- Grub/set screwed (Allen Key included)
- Stainless Steel metal parts
- Unitised rotary, no loose faces to fall out during installation
- Monolithic stationary faces
- Seats designed to replace original seat & wear protector

- Supplied with removable setting clip
- No plastic parts

REFERENCE CODES

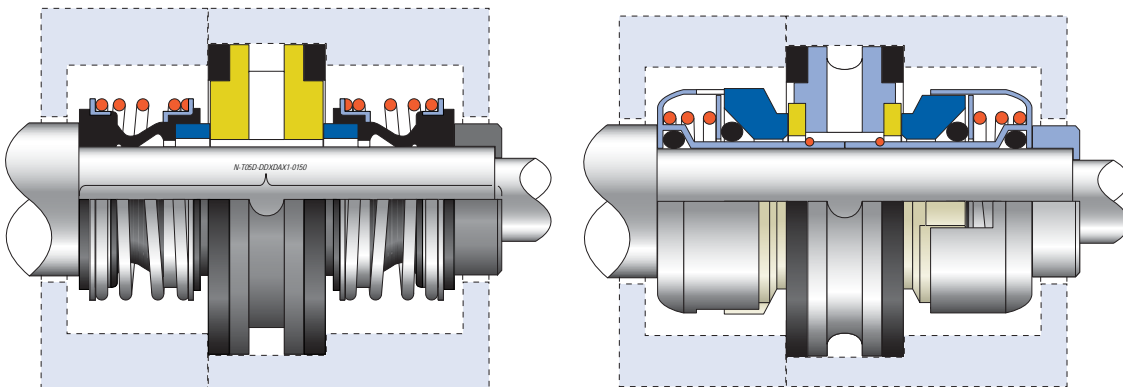
N-T05C-AGX1-0220-U

N-T05C-GGX1-0220-L

T05D Double Seal

AESSEAL®

Flygt®



T05D Double Seal

- Enclosed Bellows rotary design
- Stainless Steel metal parts
- Monolithic stationary face
- Supplied with setting collar

REFERENCE CODE

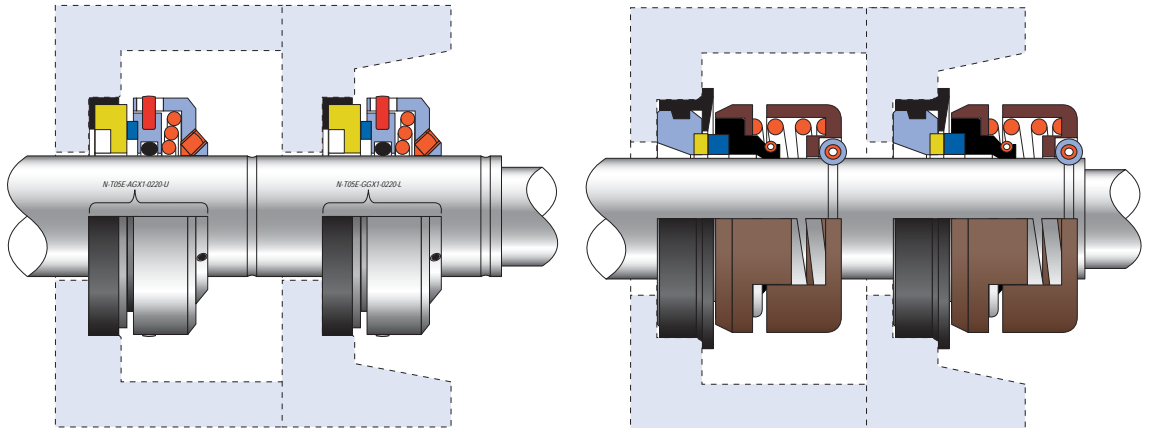
N-T05D-DDXDAX1-0150



T05E Upper / T05E Lower

AESSEAL®

Flygt®



T05E UPPER / T05E LOWER

- Robust & compact rotary design
- Grub/set screwed (Allen Key included)
- Stainless Steel metal parts
- No plastic parts
- Unitised rotary, no loose faces to fall out during installation

- Monolithic stationary faces
- Supplied with removable setting clip

REFERENCE CODES

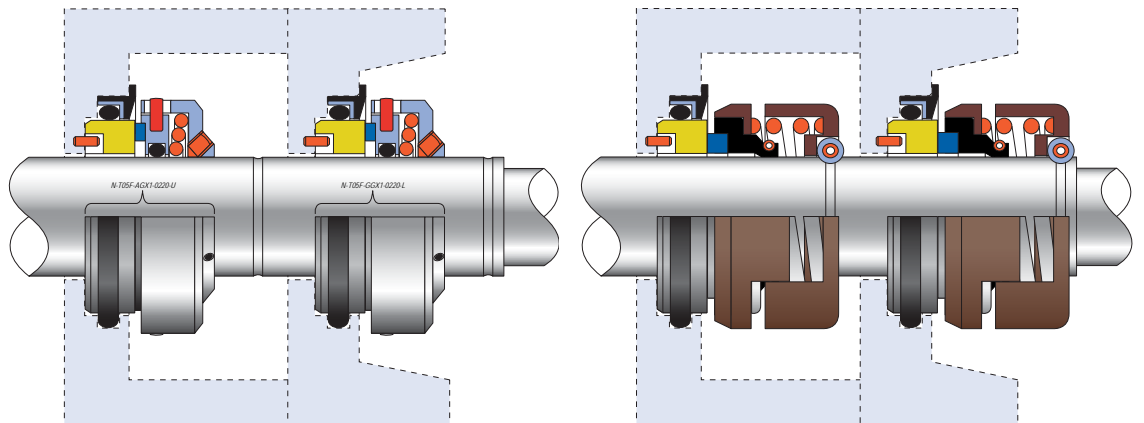
N-T05E-AGX1-0220-U

N-T05E-GGX1-0220-L

T05F Upper / T05F Lower

AESSEAL®

Flygt®



T05F UPPER / T05F LOWER

- Robust & compact rotary design
- Grub/set screwed (Allen Key included)
- Stainless Steel metal parts
- No plastic parts
- Unitised rotary, no loose faces to fall out during installation

- Monolithic stationary faces
- Supplied with removable setting clip

REFERENCE CODES

N-T05F-AGX1-0220-U

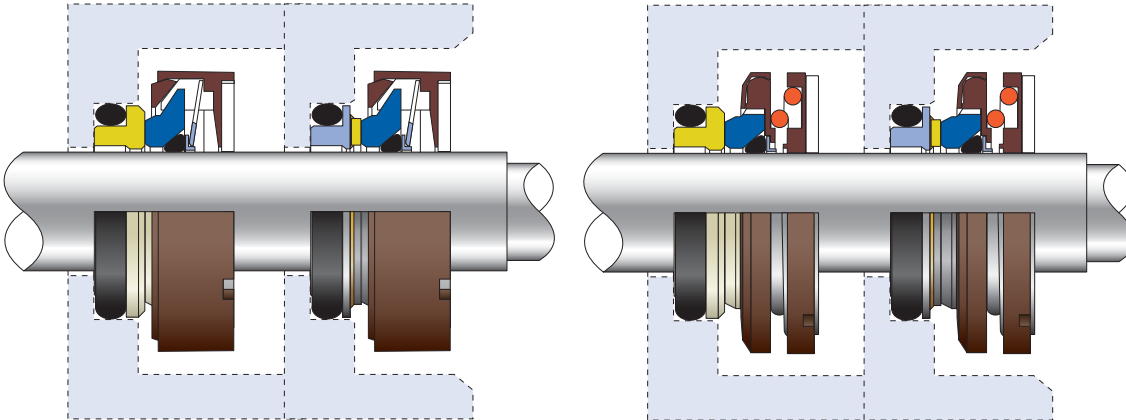
N-T05F-GGX1-0220-L

T05G Upper / T05G Lower

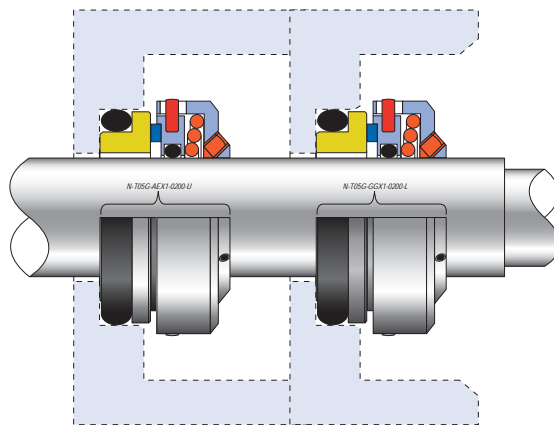


Flygt® (Early Design)

Flygt® (Late Design)



AESSEAL®



T05G UPPER / T05G LOWER

- Robust & compact rotary design
- Grub/set screwed (Allen Key included)
- Stainless Steel metal parts
- No plastic parts
- Monolithic stationary faces
- Supplied with removable setting clip
- No special fitting tool required

REFERENCE CODES

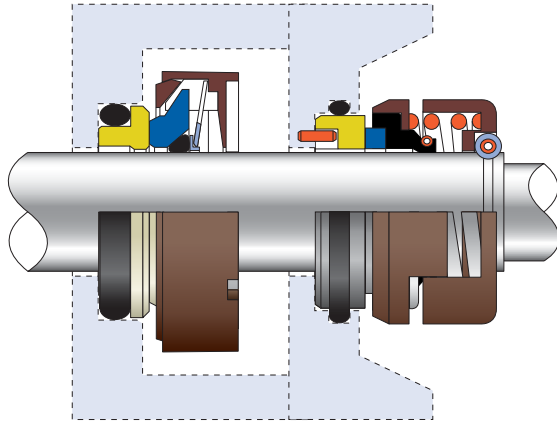
N-T05G-AEX1-0200-U

N-T05G-GGX1-0200-L

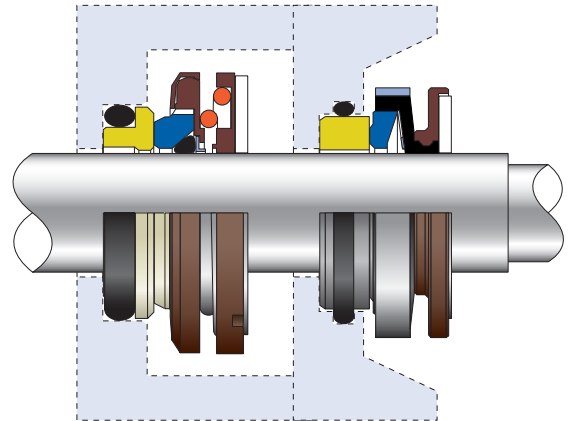


T05G Upper / T05H Lower

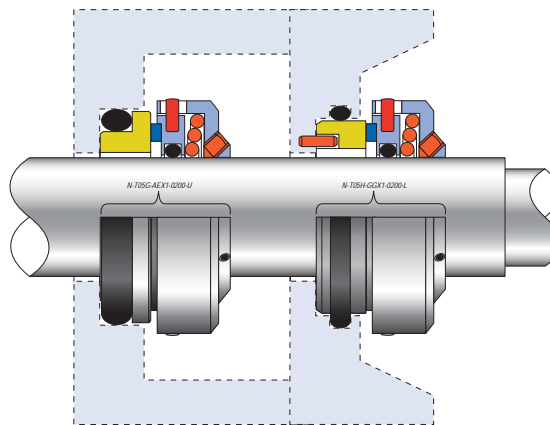
Flygt® (Early Design)



Flygt® (Late Design)



AESSEAL®



T05G UPPER / T05H LOWER

- Robust & compact rotary design
- Grub/set screwed (Allen Key included)
- Stainless Steel metal parts
- No plastic parts
- Monolithic stationary faces
- Supplied with removable setting clip
- No special fitting tool required

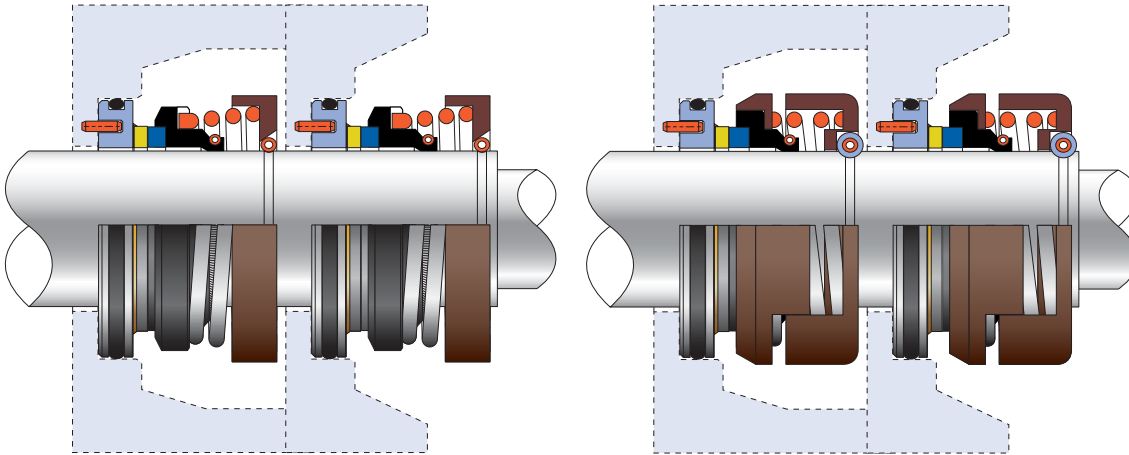
REFERENCE CODES

N-T05G-AEX1-0200-U

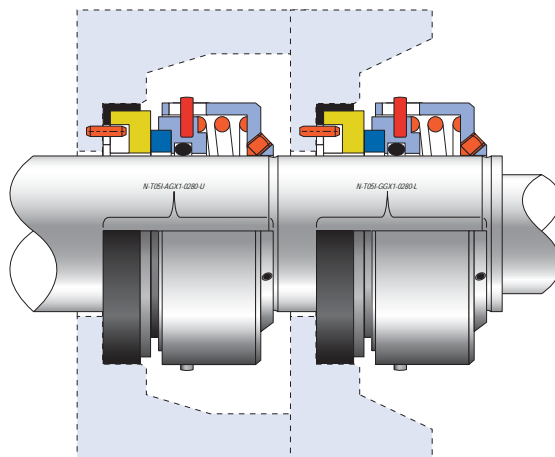
N-T05H-GGX1-0200-L

Flygt® (Early Design)

Flygt® (Late Design)



AESSEAL®



T05I UPPER / T05I LOWER

- Robust & compact rotary design
- Grub/set screwed (Allen Key included)
- Stainless Steel metal parts
- No plastic parts
- Unitised rotary, no loose faces to fall out during installation
- Monolithic stationary faces
- Boot mounted seats for improved sealing in worn or corroded housings
- Supplied with removable setting clip

REFERENCE CODES

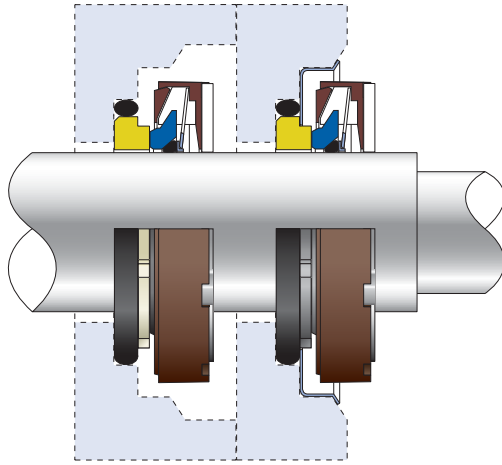
N-T05I-AGX1-0280-U

N-T05I-GGX1-0280-L

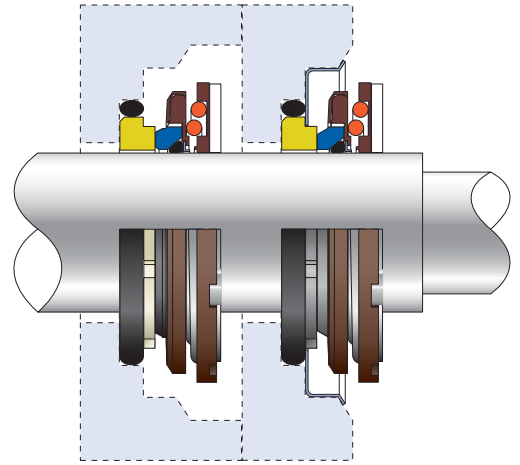


T05J Upper / T05J Lower

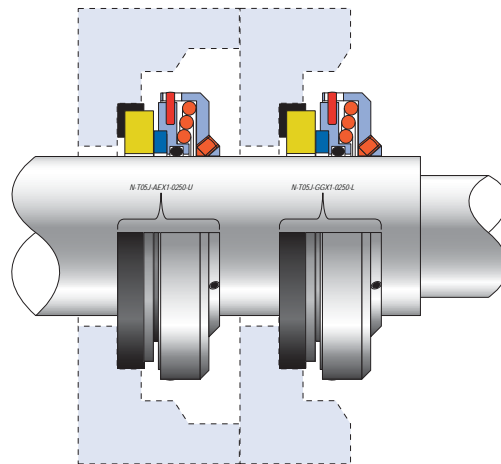
Flygt® (Early Design)



Flygt® (Late Design)



AESSEAL®



T05J UPPER / T05J LOWER

- Robust & compact rotary design
- Grub/set screwed (Allen Key included)
- Stainless Steel metal parts
- No plastic parts
- Monolithic stationary faces
- Boot mounted seats for improved sealing in worn or corroded housings
- Supplied with removable setting clip
- No special fitting tool required

REFERENCE CODES

N-T05J-AEX1-0250-U

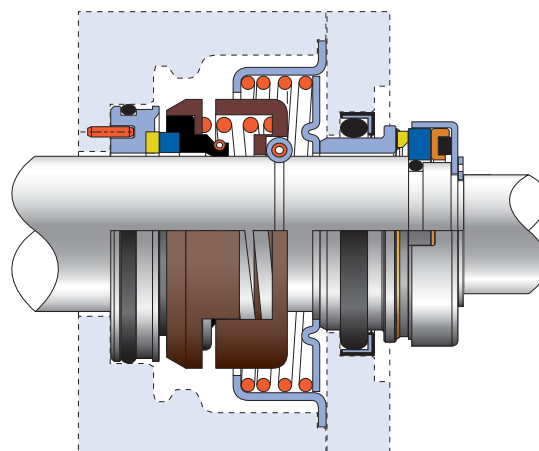
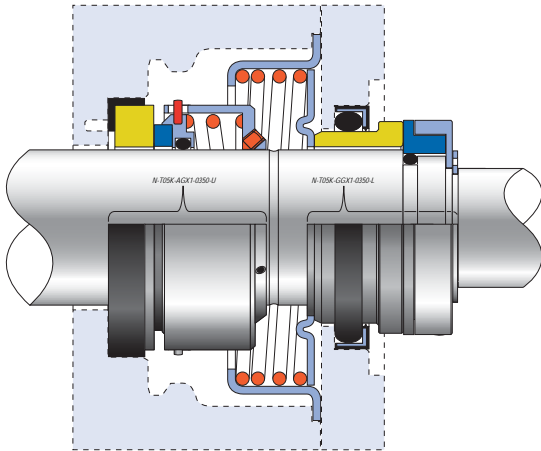
N-T05J-GGX1-0250-L

T05K Upper / T05K Lower



AESSEAL®

Flygt®



T05K UPPER

- Robust & compact rotary design
- Grub/set screwed (Allen Key included)
- Stainless Steel metal parts
- No plastic parts
- Unitised rotary, no loose faces to fall out during installation
- Monolithic stationary face
- Boot mounted seat for improved sealing in worn or corroded housings

- Supplied with removable setting clip

T05K Lower

- Stainless Steel metal parts
- No pressed steel parts
- Monolithic seal faces

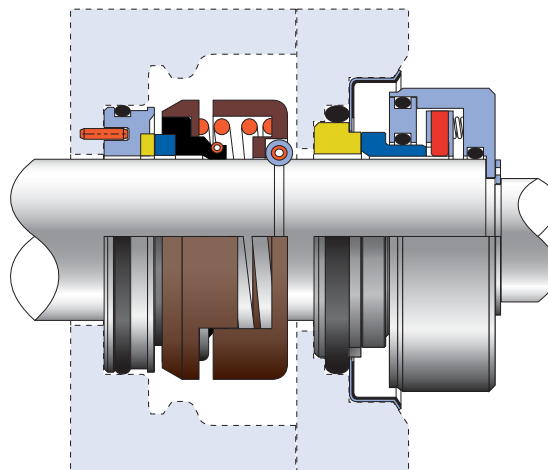
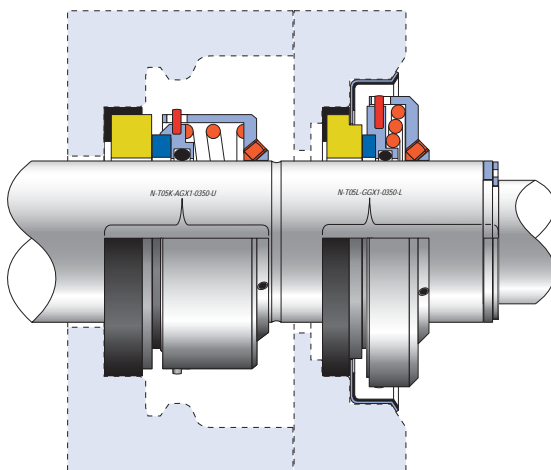
REFERENCE CODES

N-T05K-AGX1-0350-U
N-T05K-GGX1-0350-L

T05K Upper / T05L Lower

AESSEAL®

Flygt®



T05K UPPER / T05L LOWER

- Robust & compact rotary design
- Grub/set screwed (Allen Key included)
- Stainless Steel metal parts
- Unitised rotary, no loose faces to fall out during installation
- No plastic parts
- Monolithic stationary faces

- Boot mounted seats for improved sealing in worn or corroded housings
- Supplied with removable setting clip

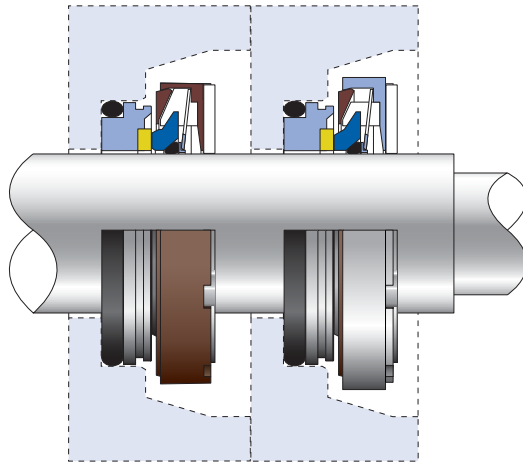
REFERENCE CODES

N-T05K-AGX1-0350-U
N-T05L-GGX1-0350-L

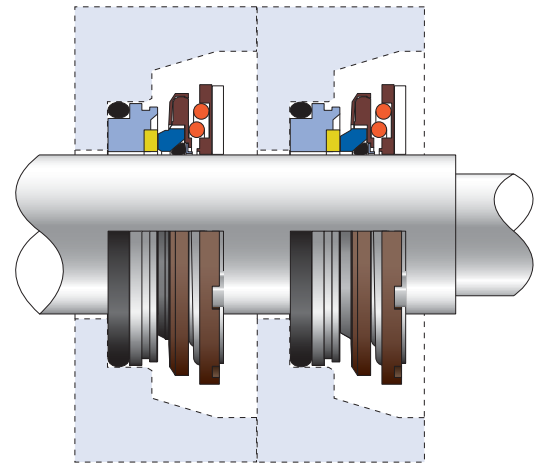


T05M Upper / T05M Lower

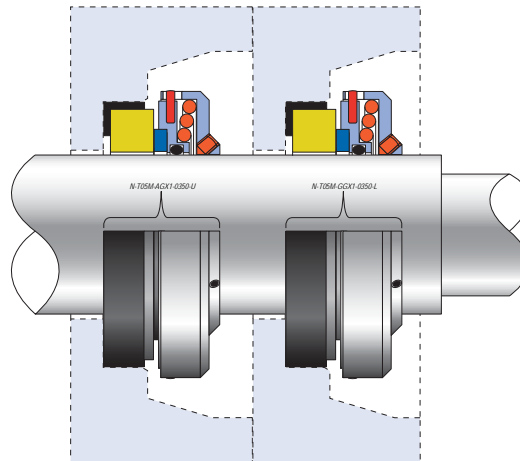
Flygt® (Early Design)



Flygt® (Late Design)



AESSEAL®



T05M UPPER / T05M LOWER

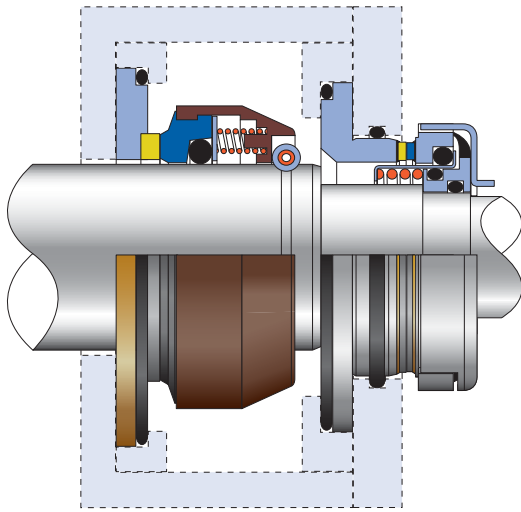
- Robust & compact rotary design
- Grub/set screwed (Allen Key included)
- Stainless Steel metal parts
- No plastic parts
- Monolithic stationary faces
- Boot mounted seats for improved sealing in worn or corroded housings
- Supplied with removable setting clip
- No special fitting tool required

REFERENCE CODES

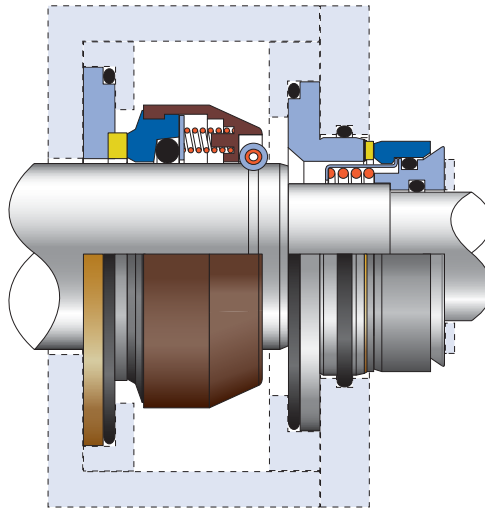
N-T05M-AGX1-0350-U

N-T05M-GGX1-0350-L

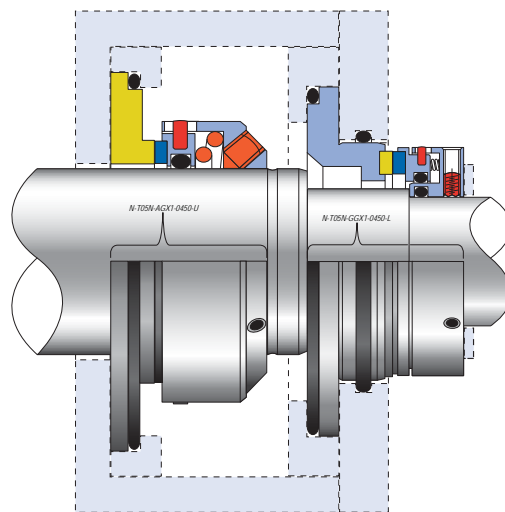
Flygt® (Early Design)



Flygt® (Late Design)



AESSEAL®



T05N UPPER / T05N LOWER

- Robust & compact rotary design
- Grub/set screwed (Allen Key included)
- Stainless Steel metal parts
- No plastic parts
- Unitised rotary, no loose faces to fall out during installation
- Supplied with removable setting clip (Upper)

REFERENCE CODES

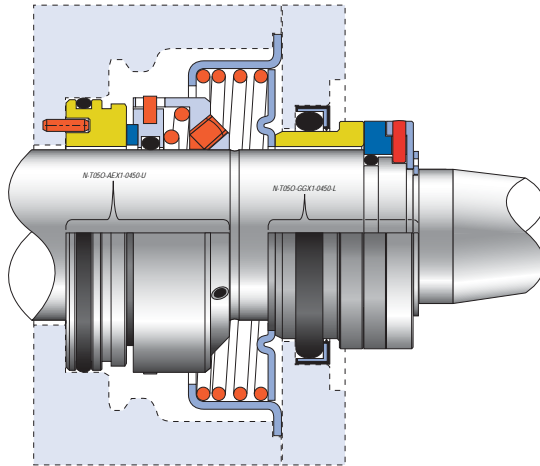
N-T05N-AGX1-0450-U

N-T05N-GGX1-0350-L



T050 Upper / T050 Lower

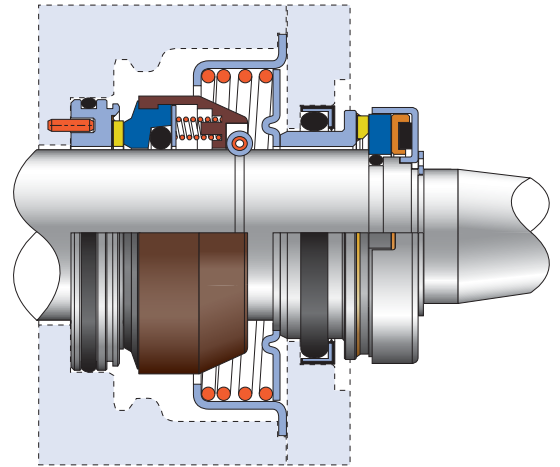
AESSEAL®



T050 UPPER

- Robust & compact rotary design
- Grub/set screwed (Allen Key included)
- Stainless Steel metal parts
- No plastic parts
- Monolithic stationary face
- Supplied with removable setting clip
- Unitised rotary, no loose faces to fall out during installation

Flygt®



T050 LOWER

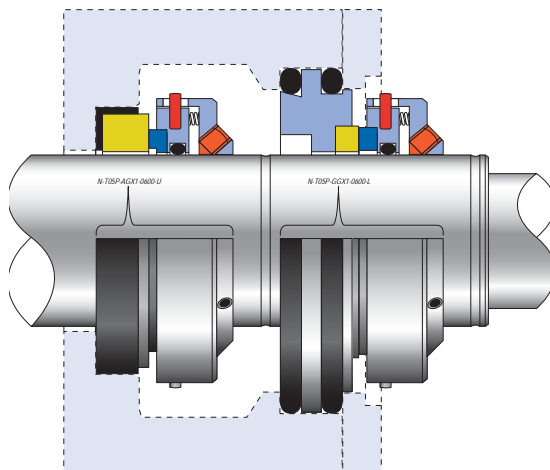
- Stainless Steel metal parts
- No pressed steel parts
- Monolithic seal faces

REFERENCE CODES

N-T050-AEX1-0450-U
N-T050-GGX1-0450-L

T05P Upper / T05P Lower

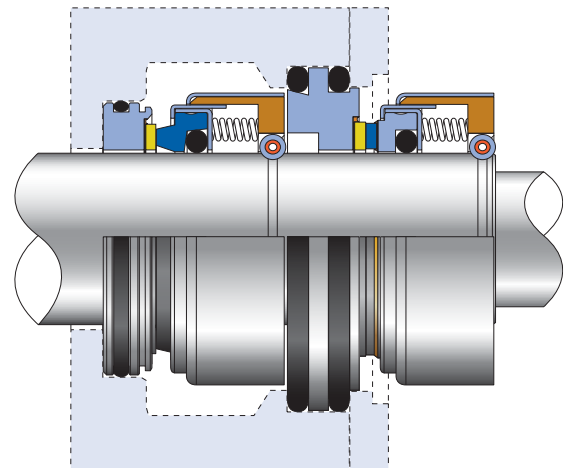
AESSEAL®



T05P UPPER / T05P LOWER

- Robust & compact rotary design
- Grub/set screwed (Allen Key included)
- Stainless Steel metal parts
- No pressed Steel parts
- Monolithic Stationary face (Upper)
- Boot mounted seat for improved sealing in worn or corroded housings (Upper)

Flygt®



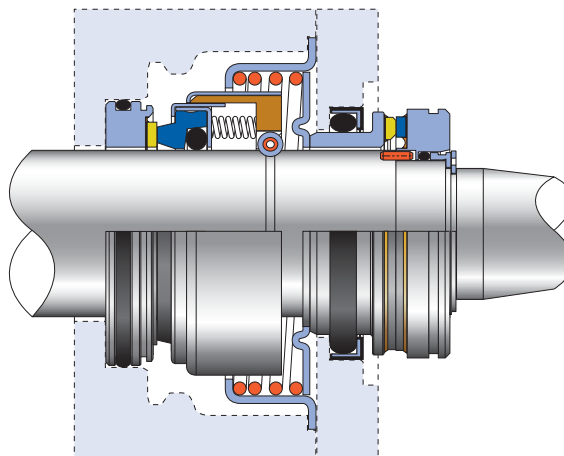
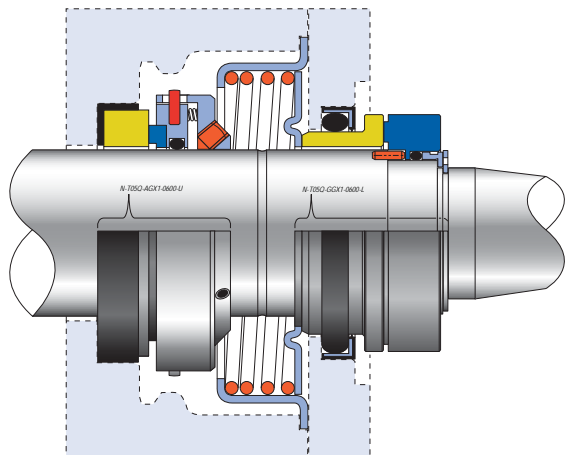
- Supplied with removable setting clip

REFERENCE CODES

N-T05P-AGX1-0600-U
N-T05P-GGX1-0600-L

AESSEAL®

Flygt®



T05Q UPPER

- Robust & compact rotary design
- Grub/set screwed (Allen Key included)
- Stainless Steel metal parts
- No pressed Steel parts
- Monolithic stationary face
- Boot mounted seat for improved sealing in worn or corroded housings
- Supplied with removable setting clip

T05Q Lower

- Stainless Steel metal parts
- Monolithic seal faces

REFERENCE CODES

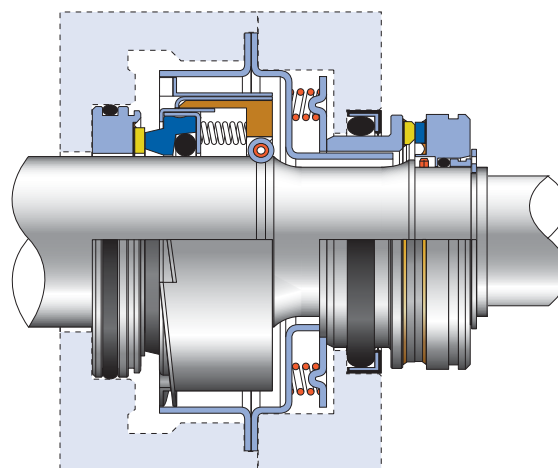
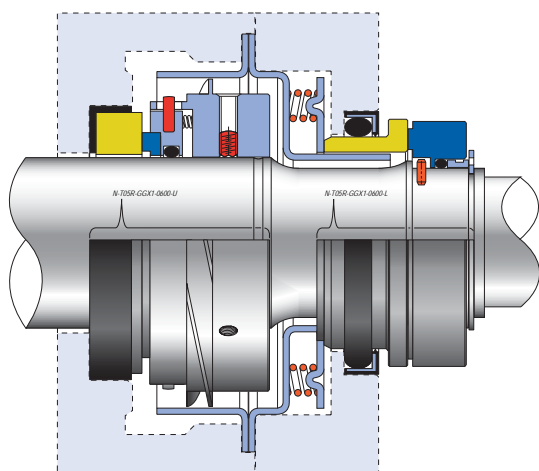
N-T05Q-AGX1-0600-U

N-T05Q-GGX1-0600-L

T05R Upper / T05R Lower

AESSEAL®

Flygt®



T05R UPPER

- Robust & compact rotary design
- Grub/set screwed (Allen Key included)
- Stainless Steel metal parts
- No pressed Steel parts
- Fully machined impeller
- Monolithic stationary face
- Boot mounted seat for improved sealing in worn or corroded housings
- Supplied with removable setting clip

T05R Lower

- Stainless Steel metal parts
- Monolithic seal faces

REFERENCE CODES

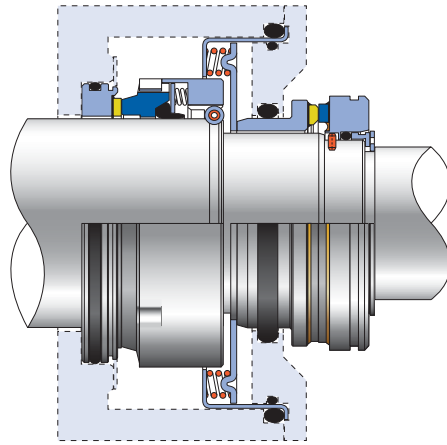
N-T05R-GGX1-0600-U

N-T05R-GGX1-0600-L

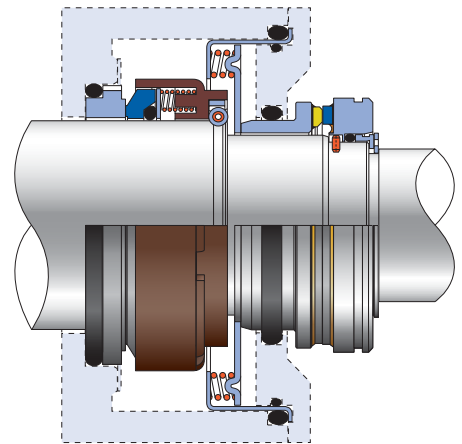


T05S Upper / T05S Lower

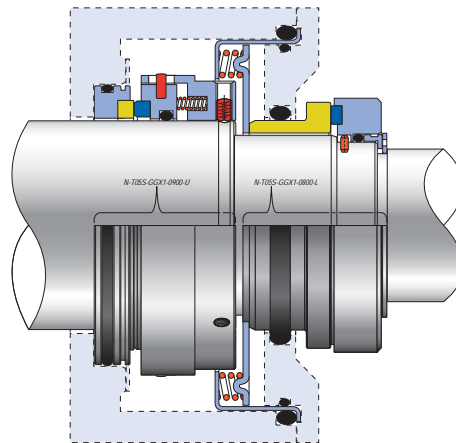
Flygt® (Early Design)



Flygt® (Late Design)



AESSEAL®



T05S UPPER

- Robust & compact rotary design
- Grub/set screwed (Allen Key included)
- Stainless Steel metal parts
- No pressed Steel parts
- No plastic parts
- Unitised rotary, no loose faces to fall out during installation

T05S LOWER

- Stainless Steel metal parts
- Monolithic stationary face

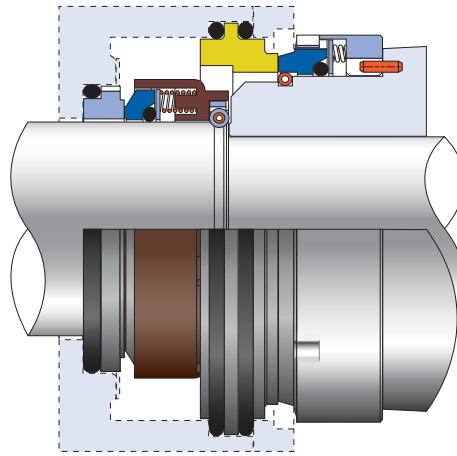
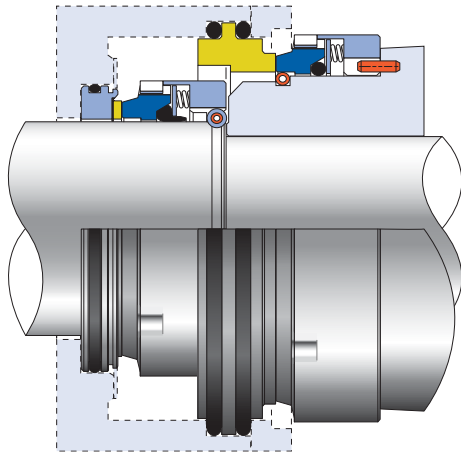
REFERENCE CODES

N-T05S-GGX1-0900-U

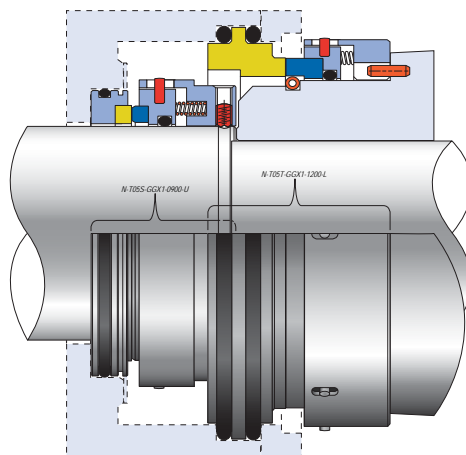
N-T05S-GGX1-0800-L

Flygt® (Early Design)

Flygt® (Late Design)



AESSEAL®



T05S UPPER

- Robust & compact rotary design
- Grub/set screwed (Allen Key included)
- Stainless Steel metal parts
- No pressed Steel parts
- No plastic parts
- Unitised rotary, no loose faces to fall out during installation

T05T LOWER

- Robust & compact rotary design
- Stainless Steel metal parts
- No pressed Steel parts
- Unitised rotary, no loose faces to fall out during installation
- Monolithic stationary face

REFERENCE CODES

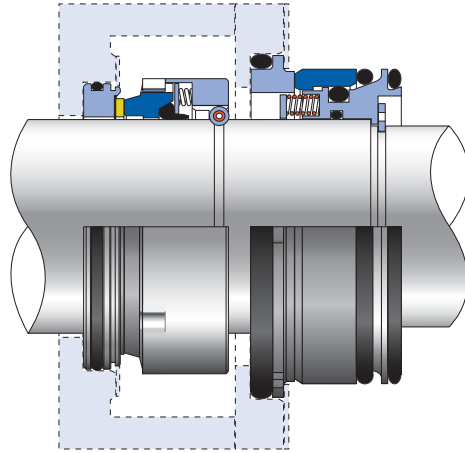
N-T05S-GGX1-0900-U

N-T05T-GGX1-1200-L

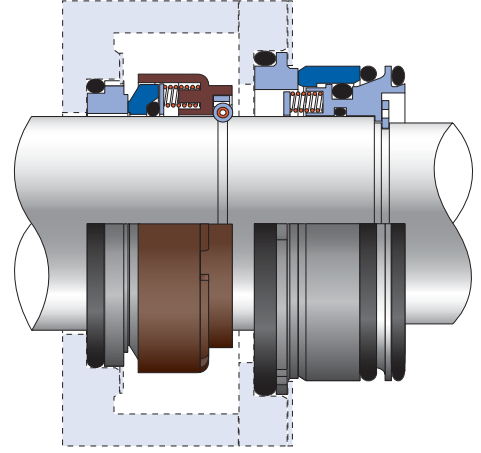


T05S Upper / T05U Lower

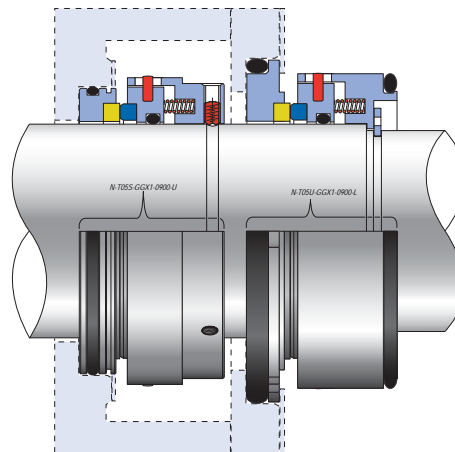
Flygt® (Early Design)



Flygt® (Late Design)



AESSEAL®



T05S UPPER / T05U LOWER

- Robust & compact rotary design
- Grub/set screwed (Allen Key included)
- Stainless Steel metal parts
- No pressed Steel parts
- No plastic parts
- Unitised rotary, no loose faces to fall out during installation

REFERENCE CODES

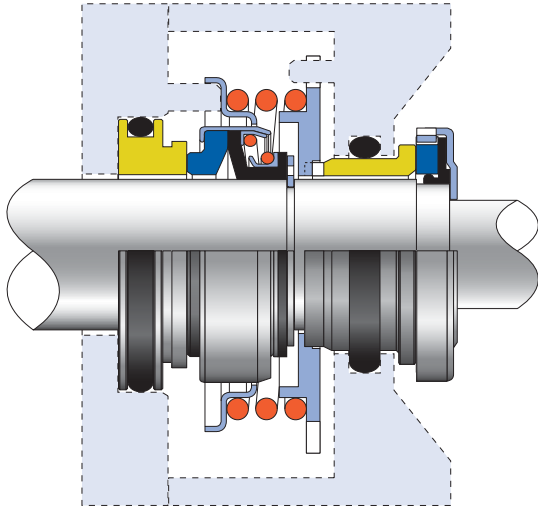
N-T05S-GGX1-0900-U

N-T05U-GGX1-0900-L

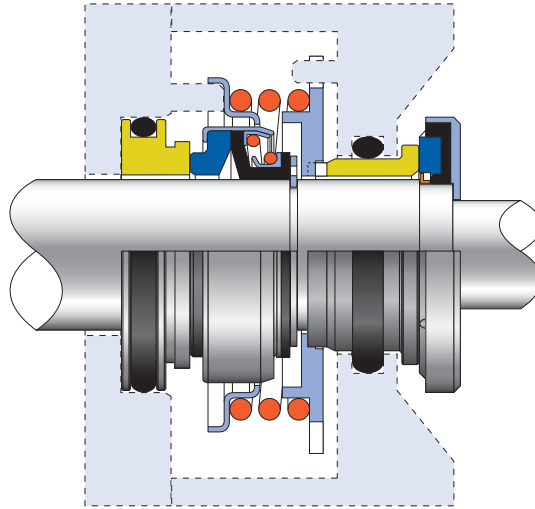
T05Z Upper / T05Z Lower



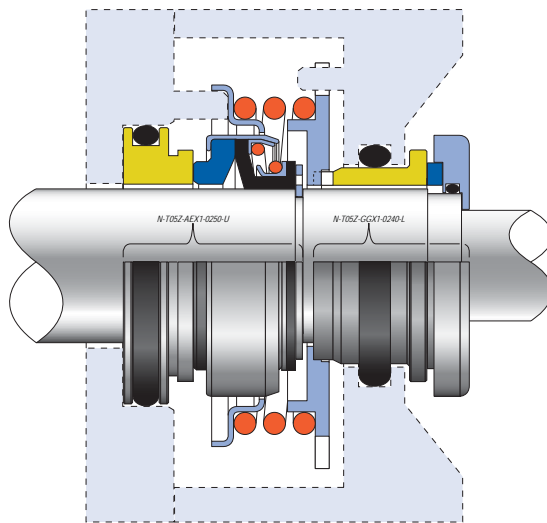
Grindex® (Early Design)



Grindex® (Late Design)



AESSEAL®



T05Z UPPER / T05Z LOWER

- Simple & compact rotary design
- Stainless Steel metal parts
- Monolithic stationary faces
- Unitised rotary, no loose faces to fall out during installation

REFERENCE CODES

N-T05Z-AEX1-0250-U
N-T05Z-GGX1-0240-L



T05 Cross reference charts

FLYGT® Unit			AESSEAL® Alternative		AESSEAL® Alternative	
Type	Model	Version	Upper (inner)	Size	Lower (outer)	Size
600			T05Q	60mm	T05Q	60mm
605			T05S	90mm	T05S	80mm
615			T05S	90mm	T05S	80mm
665			T05S	90mm	T05S	80mm
670			T05S	90mm	T05S	80mm
680			T05S	90mm	T05S	80mm
705			T05S	90mm	T05S	80mm
705			T05S	90mm	T05T	120mm
705			T05S	90mm	T05U	90mm
715			T05S	90mm	T05S	80mm
715			T05S	90mm	T05T	120mm
715			T05S	90mm	T05U	90mm
720			T05S	90mm	T05S	80mm
720			T05S	90mm	T05T	120mm
720			T05S	90mm	T05U	90mm
721			T05S	90mm	T05S	80mm
721			T05S	90mm	T05T	120mm
721			T05S	90mm	T05U	90mm
735			T05S	90mm	T05S	80mm
735			T05S	90mm	T05T	120mm
735			T05S	90mm	T05U	90mm
745			T05S	90mm	T05S	80mm
745			T05S	90mm	T05T	120mm
745			T05S	90mm	T05U	90mm
760			T05S	90mm	T05S	80mm
760			T05S	90mm	T05T	120mm
760			T05S	90mm	T05U	90mm
765			T05S	90mm	T05S	80mm
765			T05S	90mm	T05T	120mm
765			T05S	90mm	T05U	90mm
770			T05S	90mm	T05S	80mm
770			T05S	90mm	T05T	120mm
770			T05S	90mm	T05U	90mm
775			T05S	90mm	T05S	80mm
775			T05S	90mm	T05T	120mm
775			T05S	90mm	T05U	90mm
805			Refer to Sales office		T05T	120mm
820			T05S	90mm	T05S	80mm
820			T05S	90mm	T05T	120mm
820			T05S	90mm	T05U	90mm
835			Refer to Sales office		T05T	120mm
840			T05S	90mm	T05S	80mm
840			T05S	90mm	T05T	120mm
840			T05S	90mm	T05U	90mm
841			T05S	90mm	T05S	80mm
841			T05S	90mm	T05T	120mm
841			T05S	90mm	T05U	90mm
860			T05S	90mm	T05S	80mm
860			T05S	90mm	T05T	120mm
860			T05S	90mm	T05U	90mm
865			Refer to Sales office		T05T	120mm
880			T05S	90mm	T05S	80mm
880			T05S	90mm	T05T	120mm
880			T05S	90mm	T05U	90mm

FLYGT® Unit			AESSEAL® Alternative		AESSEAL® Alternative	
Type	Model	Version	Upper (inner)	Size	Lower (outer)	Size
881			T05S	90mm	T05S	80mm
881			T05S	90mm	T05T	120mm
881			T05S	90mm	T05U	90mm
900			T05S	90mm	T05S	80mm
900			T05S	90mm	T05T	120mm
900			T05S	90mm	T05U	90mm
905			Refer to Sales office		T05T	120mm
935			Refer to Sales office		T05T	120mm
2004			T05D	15mm	N/A	
2008			T05D	15mm	N/A	
2012			T05D	15mm	N/A	
2016			T05D	15mm	N/A	
2024			T05A	20mm	T05A	20mm
2040			T05C or T05F	22mm	T05C or T05F	22mm
2050			T05D	15mm	N/A	
2052			T05D	15mm	N/A	
2060			T05G	20mm	T05G	20mm
2066			T05A	20mm	T05A	20mm
2070			T05E	22mm	T05E	22mm
2071			T05F	22mm	T05F	22mm
2075			T05A	20mm	T05A	20mm
2082			T05I	28mm	T05I	28mm
2084			T05K	35mm	T05L	35mm
2090			T05I	28mm	T05I	28mm
2101			T05A	20mm	T05A	20mm
2102 -210			T05C or T05F	22mm	T05C or T05F	22mm
2102 -040			T05E	22mm	T05E	22mm
2102 -041			T05C or T05F	22mm	T05C or T05F	22mm
2102 -220			T05C or T05F	22mm	T05C or T05F	22mm
2125			T05I	28mm	T05I	28mm
2135			T05K	35mm	T05L	35mm
2140			T05I	28mm	T05I	28mm
2151 -010			T05K	35mm	T05K	35mm
2151 -011			T05K	35mm	T05L	35mm
2151 -050			T05K	35mm	T05L	35mm
2201 -430			T05N	45mm	T05N	35mm
2201 -320			T05N	45mm	T05N	35mm
2201 -010			T05O	45mm	T05K	35mm
2201 -011 HT			T05O	45mm	T05N	35mm
2201 -011 LT			T05O	45mm	T05O	45mm
2201 -011 MT			T05O	45mm	T05N	35mm
2201 -480			T05N	45mm	T05N	35mm
2201 -590			T05N	45mm	T05N	35mm
2201 -690			T05N	45mm	T05N	35mm
2250			T05P	60mm	T05P	60mm
2290			T05P	60mm	T05P	60mm
2400			T05R	60mm	T05R	60mm
2540			Refer to Sales office		T05R	60mm
3041 -171			T05G	20mm	T05G or T05H	20mm
3041 -180			T05G	20mm	T05G or T05H	20mm
3041 -281			T05G	20mm	T05G	20mm
3057			T05G	20mm	T05G or T05H	20mm
3060			T05G	20mm	T05G	20mm
3065			T05A lower	20mm	T05A	20mm

When more than one alternative is listed, please refer to the relevant pages in this brochure to select the correct seal for your application.

T05 Cross reference charts



FLYGT® Unit			AESSEAL® Alternative		AESSEAL® Alternative	
Type	Model	Version	Upper (inner)	Size	Lower (outer)	Size
3066			T05G	20mm	T05G or T05H	20mm
3067	-890		T05G	20mm	T05G or T05H	20mm
3067	-690		T05G	20mm	T05G or T05H	20mm
3067	-590		T05G	20mm	T05G or T05H	20mm
3067	-250		T05G	20mm	T05G	20mm
3067	-170		T05G	20mm	T05G	20mm
3067	-090		T05G	20mm	T05G or T05H	20mm
3067	-180		T05G	20mm	T05G or T05H	20mm
3068			T05G	20mm	T05G	20mm
3080			T05A	20mm	T05A	20mm
3082			T05E	22mm	T05E	22mm
3085	-290		T05G	20mm	T05H	20mm
3085	-280		T05G	20mm	T05H	20mm
3085	-091		T05G	20mm	T05G	20mm
3085	-092		T05G	20mm	T05G or T05H	20mm
3085	-120		T05G	20mm	T05G or T05H	20mm
3085	-170		T05G	20mm	T05G or T05H	20mm
3085	-171		T05G	20mm	T05G or T05H	20mm
3085	-172		T05G	20mm	T05G or T05H	20mm
3085	-180		T05G	20mm	T05G or T05H	20mm
3085	-181		T05G	20mm	T05G or T05H	20mm
3085	-182		T05G	20mm	T05G or T05H	20mm
3085	-890		T05G	20mm	T05G	20mm
3085	-891		T05G	20mm	T05G or T05H	20mm
3101			T05B	28mm	T05B	28mm
3102			T05J	25mm	T05J	25mm
3126	-290		T05K	35mm	T05M	35mm
3126	-280		T05K	35mm	T05M	35mm
3126	-181		T05M	35mm	T05M	35mm
3126	-090		T05K	35mm	T05K	35mm
3126	-091		T05K	35mm	T05M	35mm
3126	-180		T05K	35mm	T05K	35mm
3127			T05M	35mm	T05M	35mm
3140			T05O	45mm	T05O	45mm
3152			T05O	45mm	T05O	45mm
3170			T05Q	60mm	T05Q	60mm
3200			T05P	60mm	T05P	60mm
3201			T05Q	60mm	T05Q	60mm
3230			T05S	90mm	T05S	80mm
3300	-091		T05S	90mm	T05S	80mm
3300	-181		T05S	90mm	T05S	80mm
3300	-280		T05S	90mm	T05S	80mm
3300	-980		T05S	90mm	T05S	80mm
3305			T05S	90mm	T05S	80mm
3310			T05S	90mm	T05T	120mm
3311			T05S	90mm	T05T	120mm
3312			T05S	90mm	T05T	120mm
3350			T05S	90mm	T05T	120mm
3351			T05S	90mm	T05T	120mm
3355			T05S	90mm	T05S	80mm
3356			T05S	90mm	T05S	80mm
3357			T05S	90mm	T05S	80mm
3400			T05S	90mm	T05U	90mm
3500			T05S	90mm	T05T	120mm

FLYGT® Unit			AESSEAL® Alternative		AESSEAL® Alternative	
Type	Model	Version	Upper (inner)	Size	Lower (outer)	Size
3501			T05S	90mm	T05T	120mm
3530			T05S	90mm	T05T	120mm
3531			T05S	90mm	T05T	120mm
3600			T05S	90mm	T05T	120mm
3601			T05S	90mm	T05T	120mm
3602			T05S	90mm	T05T	120mm
4351			T05G	20mm	T05H	20mm
4352			T05G	20mm	T05H	20mm
4400			T05G	20mm	T05H	20mm
4410			N/A		T05Q	60mm
4430			N/A		T05Q	60mm
4440			T05M	35mm	T05M	35mm
4650			T05O	45mm	T05O	45mm
4660			T05O	45mm	T05O	45mm
4670			T05Q	60mm	T05Q	60mm
4680			T05Q	60mm	T05Q	60mm
5100			T05O	45mm	Refer to Sales office	
5520			Refer to Sales office		T05J	25mm
5530			T05M	35mm	T05M	35mm
5540			T05O	45mm	Refer to Sales office	
5550			T05Q	60mm	Refer to Sales office	
5560			T05S	90mm	Refer to Sales office	
7045			T05Q	60mm	T05Q	60mm
7050			T05S	90mm	T05S	80mm
7051			T05S	90mm	T05S	80mm
7055			T05S	90mm	T05S	80mm
7060			T05S	90mm	T05S	80mm
7061			T05S	90mm	T05S	80mm
7076			T05S	90mm	T05S	80mm
7080			T05S	90mm	T05S	80mm
7080			T05S	90mm	T05T	120mm
7081			T05S	90mm	T05U	90mm
7101			T05S	90mm	T05U	90mm
7115			T05S	90mm	T05T	120mm
7556			T05S	90mm	T05S	80mm
7570			T05S	90mm	T05T	120mm
7585			T05S	90mm	T05T	120mm
Ready 4			T05D	15mm	N/A	
Ready 8			T05D	15mm	N/A	
Ready 12			T05D	15mm	N/A	
Ready 16			T05D	15mm	N/A	
Ready 24			T05A	20mm	T05A	20mm
Ready 40			T05C or T05F	22mm	T05C or T05F	22mm
Ready 56			T05C or T05F	22mm	T05C or T05F	22mm
Ready 90			T05I	28mm	T05I	28mm
Steady 7			T05G	20mm	T05G	20mm

Grindex® Pump	AESSEAL® Alternative Upper (inner)	AESSEAL® Alternative Lower (outer)
Maxi	T05O	T05N
All other pumps	T05Z	T05Z



ENVIRONMENTAL TECHNOLOGY

The AESSEAL® Group of Companies

 AESSEAL plc, Rotherham, U.K.	Telephone: +44 (0) 1709 369966
 AESSEAL plc, Derby, U.K.	Telephone: +44 (0) 1332 366738
 AESSEAL plc, Peterborough, U.K.	Telephone: +44 (0) 1733 230787
 AESSEAL plc, Scotland, U.K.	Telephone: +44 (0) 1698 540422
 AESSEAL plc, Middlesbrough, U.K.	Telephone: +44 (0) 1642 245744
 AESSEAL plc, Essex, U.K.	Telephone: +44 (0) 1708 256600
 AESSEAL plc, Pontypridd, U.K.	Telephone: +44 (0) 1443 844330
 AESSEAL plc, Warrington, U.K.	Telephone: +44 (0) 1925 812294
 AESSEAL (MCK) Ltd., Lisburn, U.K.	Telephone: +44 (0) 28 9266 9966
 AESSEAL (MCK) Ltd., Co. Cork, Ireland.	Telephone: +353 (0) 214 633477
 AESSEAL Inc., Knoxville, Tennessee, USA.	Telephone: +1 865 531 0192
 AESSEAL Inc., Seneca Falls, New York, USA.	Telephone: +1 315 568 4706
 AESSEAL Inc., Kingsport, Tennessee, USA.	Telephone: +1 423 224 7573
 AESSEAL ESP LLC, Cedar Rapids, Iowa, USA.	Telephone: +1 319 393 4310
 AESSEAL Deutschland AG, Rödermark, Germany.	Telephone: +49 (0) 6074 881293
 AESSEAL Italia SRL., Gallarate, Italy.	Telephone: +39 033 179 9952
 AESSEAL Pty Ltd., Gauteng, South Africa.	Telephone: +27 (0) 11 466 6500
 AESSEAL Pty Ltd., Confluid Branch, Amanzimtoti, South Africa.	Telephone: +27 (0) 31 903 5438
 AESSEAL Malaysia SDN. BHD., Selangor, Malaysia.	Telephone: +603 8062 1233
 AESSEAL Benelux B.V., Breda, Holland.	Telephone: +31 (0) 76 564 9292
 AESSEAL Ibérica S.L., Tarragona, Spain.	Telephone: +34 977 55 43 30
 AESSEAL Danmark, Køge, Denmark.	Telephone: +45 56 64 14 00
 AESSEAL France S.A.R.L., Nieppe, France.	Telephone: +33 (0) 3 2017 2850
 AESSEAL Turkiye, Istanbul, Turkey.	Telephone: +90 (0) 212 659 70 91
 AESSEAL Canada Inc., Thunder Bay, Ontario, Canada.	Telephone: +1 807 624 2727
 AESSEAL China Ltd., Ningbo, China.	Telephone: +86 (0) 574 8823 2888
 AESSEAL Mexico, S. de R.L. de C.V., Tampico, Mexico.	Telephone: (52 833) 214 6983
 AESSEAL Brasil Ltda. São Paulo, Brazil.	Telephone: +55 11 5891 5878
 AESSEAL India PVT. Ltd. Pune, India.	Telephone: + 91 20 6872254
 AESSEAL Argentina S.A., Buenos Aires, Argentina.	Telephone: + 54 11 4744 0022
 AESSEAL Chile SA. Providencia Santiago. Chile.	Telephone: +56 2 2343022

THIS DOCUMENT IS DESIGNED TO PROVIDE DIMENSIONAL INFORMATION AND AN INDICATION OF AVAILABILITY.
FOR FURTHER INFORMATION AND SAFE OPERATING LIMITS CONTACT OUR TECHNICAL SPECIALISTS AT THE LOCATIONS BELOW.



**USE DOUBLE MECHANICAL SEALS
WITH HAZARDOUS PRODUCTS.
ALWAYS TAKE SAFETY
PRECAUTIONS:**

• **GUARD YOUR EQUIPMENT**

• **WEAR PROTECTIVE CLOTHING** **WARNING**



AESSEAL plc
Wetherby Road
Osmaston Park Industrial Estate
Derby
DE24 8HL
United Kingdom

Tel: +44 (0) 1332 366738
Fax: +44 (0) 1332 298195
E-mail: cse@aes seal.co.uk
Internet: <http://www.aes seal.com>

AESSEAL plc
Mill Close
Templeborough
Rotherham
S60 1BZ
United Kingdom

Tel: +44 (0) 1709 369966
Fax: +44 (0) 1709 720788
E-mail: seals@aes seal.com
Internet: <http://www.aes seal.com>

Distributed by:

USA Sales & Technical advice:
AESSEAL Inc.
10231 Cogdill Road
Suite 105
Knoxville, TN 37932
USA

Telephone: 865 531 0192
S/S Fax: 865 675 2437

ALL SIZES ARE SUBJECT TO MANUFACTURING TOLERANCES.
WE RESERVE THE RIGHT TO MODIFY SPECIFICATIONS AT ANY TIME.