

Catalog Number Description

PRELIMINARY

- 000 Index
- 002 Introduction & Instructions

SPRAY HEADS

- 100 1800 Series
- 102 UNI-Spray™ Series
- 104 1200 Series
- 106 SP-25 Sure-Pop / SP-40 Sure-Pop

FULL CIRCLE IMPACT SPRINKLERS AND GUNS

- 200 LF Series
- 202 14VH
- 204 20JH / 20 ADJ-B
- 206 L20VH / M20VH -PM
- 208 L20H
- 210 20AH and Related Models
- 212 29JH
- 214 30H
- 216 30BH and Related Models
- 218 30IBH / 30IEBH
- 220 L3030H
- 222 L36H / L36AH
- 224 40FC TNT / 40FCH
- 226 14070H
- 228 46H / 46WH / 46AH / 46AWH
- 230 70CWH
- 232 80EHD / 80EHD-LA / 80EHD-BSP
- 234 SR2005 (1997 - 1998) - Blue or Gold Sticker
- 236 SR2005 (1999) - Silver Sticker
- 238 SR2005 (2000) - Green Sticker
- 240 SR3003 (1997 - 1998) - Gold Sticker
- 242 SR3003 (1999) - Silver Sticker
- 244 SR3003 (2000) - Green Sticker
- 246 F2004 (1997 - 1998) - Blue or Gold Sticker
- 248 F2004 (1999) - Silver Sticker
- 250 F2004 (2000) - Green Sticker
- 252 F3002 (1997 - 1998) - Gold Sticker
- 254 F3002 (1999) - Silver Sticker
- 256 F3002 (2000) - Green Sticker
- 258 1004M / 104C / 1004C
- 260 105C / 1005C / 1005M / 1005M-DC
- 262 SLL20VH / SL20VH / SM20VH / S20VH / SLL20H / SL20H / SM20H / S20H
- 264 808A Series

Catalog Number Description

PART CIRCLE IMPACT SPRINKLERS

- 300 25B Series
- 302 35A Series
- 304 65PJ-TNT / 65PJADJ-TNT
- 306 85EHD SERIES
- 308 2045-PJ Maxi-Bird™

ROTORS

- 400 LG-3 / MG-4 / 15103-07/09 Mini-Paw® / AG-5 / AG-5-SAM / 2045A Maxi-Paw™ / 2045A Maxi-Paw-SAM
- 402 32SA / 32SA Shrub
- 404 42SA
- 406 3504-PC / 3500-S-PC
- 408 5000, 5004, 5006, 5000-PL, 5004-PL, 5006-PL
- 412 5505 / 5512
- 414 Falcon® 6504
- 416 7005 / 8005
- 418 Talon - TA-80-FC
- 420 Talon - TA-85-PC
- 422 21-51A / 21-51AP Series
- 424 27-47A / 27-47AP Series
- 426 21-51A SAM / 21-51A-VIH-E Series
- 428 27-47A SAM / 27-47A VIH-E Series
- 430 51DR / 51DS / 51DH Internal Assembly
- 432 47DR / 47DS / 47DH Internal Assembly
- 434 47DR / 47DS / 47DH / 51DR / 51DS / 51DH Case Assy
- 436 EAGLE's Nest™ Rotor Adaptors for 47/51DR Series Rotors
- 438 91DR / 91DS / 91DH Internal Assembly
- 440 95DR / 95DS / 95DH Internal Assembly
- 442 91DR / 91DS / 91DH / 95DR / 95DS / 95DH Case Assembly
- 444 EAGLE 351
- 446 EAGLE 500 Internal Assembly
- 448 EAGLE 550 Internal Assembly
- 450 EAGLE 700 Internal Assembly
- 452 EAGLE 750 Internal Assembly
- 454 EAGLE 900 Internal Assembly
- 456 EAGLE 950 Internal Assembly
- 458 EAGLE 500 / 550 / 700 / 750 Series Case Assembly
- 460 EAGLE 900 / 950 / 1100 / 1150 / 115-E Series Case Assy
- 462 EAGLE 1100 Series Internal Assembly
- 464 EAGLE 1150 Series Internal Assembly
- 466 RAIN BIRD 700 Internal Assembly
- 468 RAIN BIRD 751 Internal Assembly
- 470 115-E Series Full Circle Internal Assembly
- 472 115-E Series Part Circle Internal Assembly

Note: Part numbers enclosed in brackets () are not available individually, but may be sold in assemblies or kits.

Catalog Number	Description
MANUAL VALVES	
500	Swivel Hose Ells - SH-0 / SH-0-BSP / SH-1 / SH-2 / SH-2-BSP / SH-3
502	One-Piece Quick Couplers - 3, 5, and 7 Series
504	Two-Piece Quick Couplers - 33, 44, 55, and 77 Series

ELECTRIC VALVES	
600	75 DV / 100 DV / 100 DV-F
602	075-ASVF / 100-ASVF
603	100 HV / HVF
604	100PGA / 150PGA / 200PGA Series
606	100 PE, PES, PEB and PESB Series
608	150 PE, PES, PEB and PESB Series
610	200 PE, PES, PEB and PESB Series
612	APAS-075 / APAS-100 / ECV-075 / ECV-100
614	CP-075 / CP-100 / CPF-075 / CPF-100
616	075-DAS / 100-DAS
618	JTV-100 / JTV-100-SS (CP Version)
620	100JTVF (Turf Version)
622	JTV/AS/F/B-075/100
624	75E / 75EA / 100E / 100EA
626	75 / 100 / 125 / 150 / 200 EF, EFA, G Series
628	75GB / 100GB / 125GB / 150GB / 200GB Series
630	125 / 150 / 200 EF-CP & 100 / 125 / 150 / 200EFA-CP Series
632	100EFB-CP / 125EFB-CP / 150EFB-CP / 200EFB-CP Series
634	300 BPE and BPES Series
636	PRS, PRS-2, PRS-B, PRS-D
638	Solenoids

MECHANICAL & ELECTRONIC CONTROLLERS	
700	RZX-4 / RZX-6 / RZX-8 (Outdoor model)
702	RZX-4i / RZX-6i / RZX-8i (Indoor model)
704	ESP-ME (Indoor and Outdoor)
706	ESP Modular
708	ESP-SMT Controller and Sensor
710	STPi-4/STPi-6/STPi-9 (International)
712	STPi-4/STPi-6/STPi-9 (Domestic)
714	ESP- 4TM / ESP-6TM / ESP-8TM
716	ESP-MC
718	ESP-LX Modular
720	ESPLXD Modular
722	PAR+ES Golf Satellite Controller
724	TBOS™ (UNIK™) Field Transmitter
726	TBOS (UNIK) Control Module
728	Easy Rain™
730	RSD-BEX
732	WR2

Catalog Number	Description
MISCELLANEOUS	
800	Universal Hose Adapter
802	Standard Swing Joint Assembly
804	Standard Swing Joint Assembly with ACME Inlet
806	Triple Top Swing Joint Assembly
808	Triple Top Swing Joint Assembly with ACME Inlet
810	Accessories and Tools
900	Notes

Note: Part numbers enclosed in brackets () are not available individually, but may be sold in assemblies or kits.

Rain Bird is committed to providing you with the best parts and after sales service programs in the irrigation industry. This Master Parts Book represents that commitment by supplying you with current information so that you can obtain replacement parts for your Rain Bird products. We hope you will find this book useful as you purchase and use Genuine Rain Bird Parts.

HOW TO USE THE MASTER PARTS BOOK (SEE NEXT PAGE FOR EXAMPLE)

The Master Parts Book was designed to be easy. There is a simple index which allows you to quickly locate the part list you need. Each part list has a simple format. Just follow these guidelines and you should easily find the part you want.

1. First look at the picture to identify the part in which you are interested. Note the reference number of that part.
2. Look at the headings on the part list matrix and find the product model which you need parts for. Look down the column until you reach the row with the reference number of the part you previously identified. At that intersection is the part number you need.
3. If the part number you need IS NOT IN BRACKETS () then the part can be purchased by itself. However, if the part IS IN BRACKETS () then that part is either not sold or it must be purchased in a kit or an assembly.
4. A part sold in an assembly will have its description indented under the assembly that is available. A part sold in a kit will have a footnote (usually a letter) beside its description. Look to the bottom of that page or the last page in the list for the kit number.

HOW TO ORDER PARTS (Rain Bird Distributors Only)

Rain Bird distributors can order parts in a number of ways. Orders for parts should be placed by using :

1. Self Service at www.rainbird.com/distributor For new Self Service accounts, contact Customer Service.
2. Faxing to Customer Service
3. Electronic Data Interchange (EDI)

		Website	Telephone	Fax
Rain Bird Sales (Turf, AG, & Golf)	Tucson, AZ	www.rainbird.com	800-282-1933	800-843-4162
Rain Bird Consumer Products	Tucson, AZ	www.rainbird.com	800-435-5672	800-232-9472

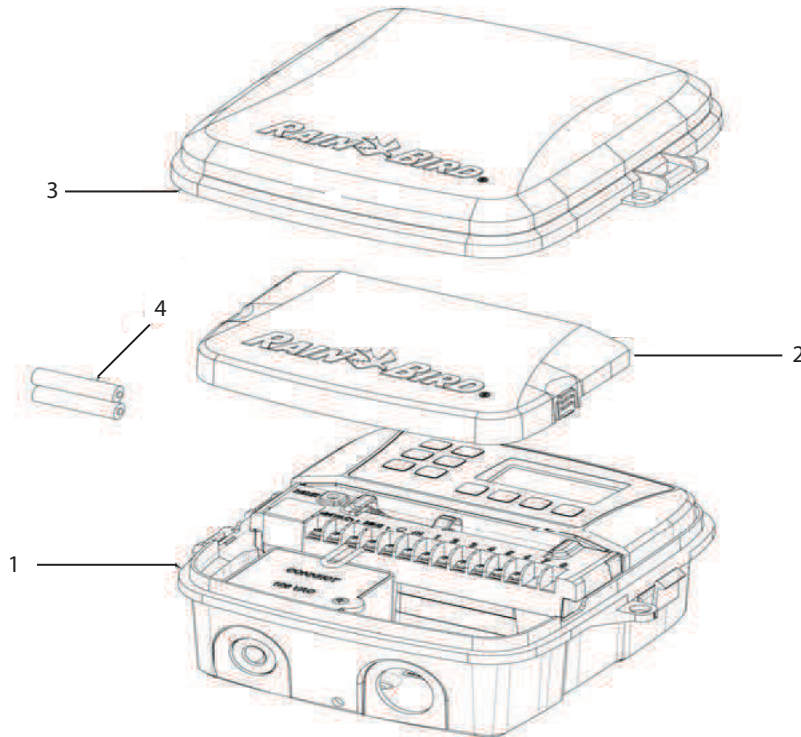
HOW PARTS ARE SHIPPED (Rain Bird Distributors Only)

Rain Bird parts are shipped in one of two ways:

1. Regular parts orders are shipped like your normal Rain Bird orders with the same processing times and freight policies. They can, however, include both parts and whole goods.
2. Quick Parts Service (QPS) orders are special parts only orders that ship quickly to your door. We process them in one day and ship them out in one to two business days depending on your location. Domestic customers receive prepaid freight on orders over \$ 250.00 net. There is NO MINIMUM purchase on QPS parts orders. Most QPS orders are received at your door within 2 to 5 days. We encourage you to use QPS whenever you need quick delivery.

QPS - The Quick Way to Receive Rain Bird Parts!

Note: Part numbers enclosed in brackets () are not available individually, but may be sold in assemblies or kits.

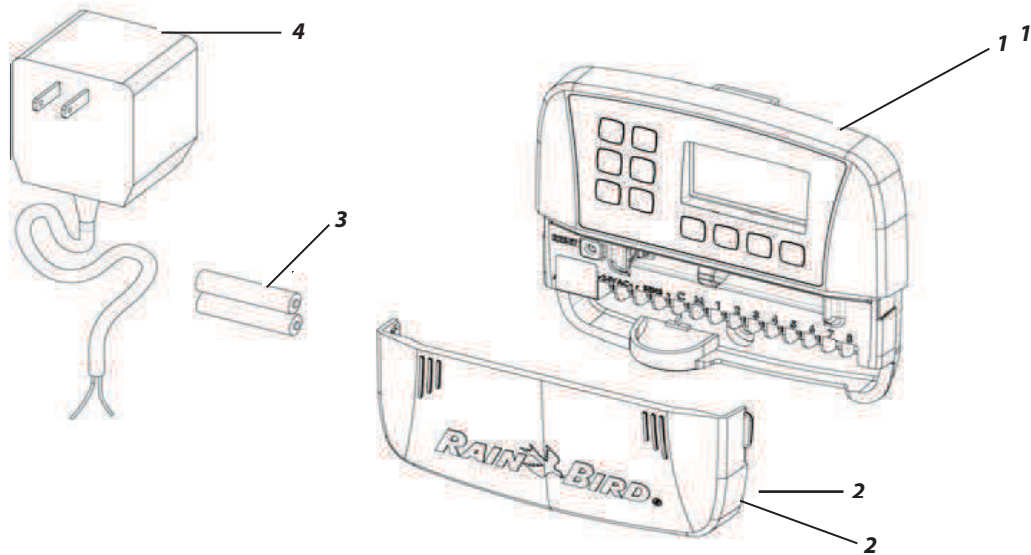


Ref.	Part Description	Qty.	RZX-4	RZX-6	RZX-8
1	Outdoor Controller Assembly	1	(638411-01)	(638411-02)	(638411-03)
2	Wire Cover, Outdoor	1	(638327-01)	(638327-01)	(638327-01)
3	Door, Outdoor, LCRC	1	(638329-01)	(638329-01)	(638329-01)
4	Battery, AAA, Alkaline, 1.5V	2	(638355-01)	(638355-01)	(638355-01)

Accessories

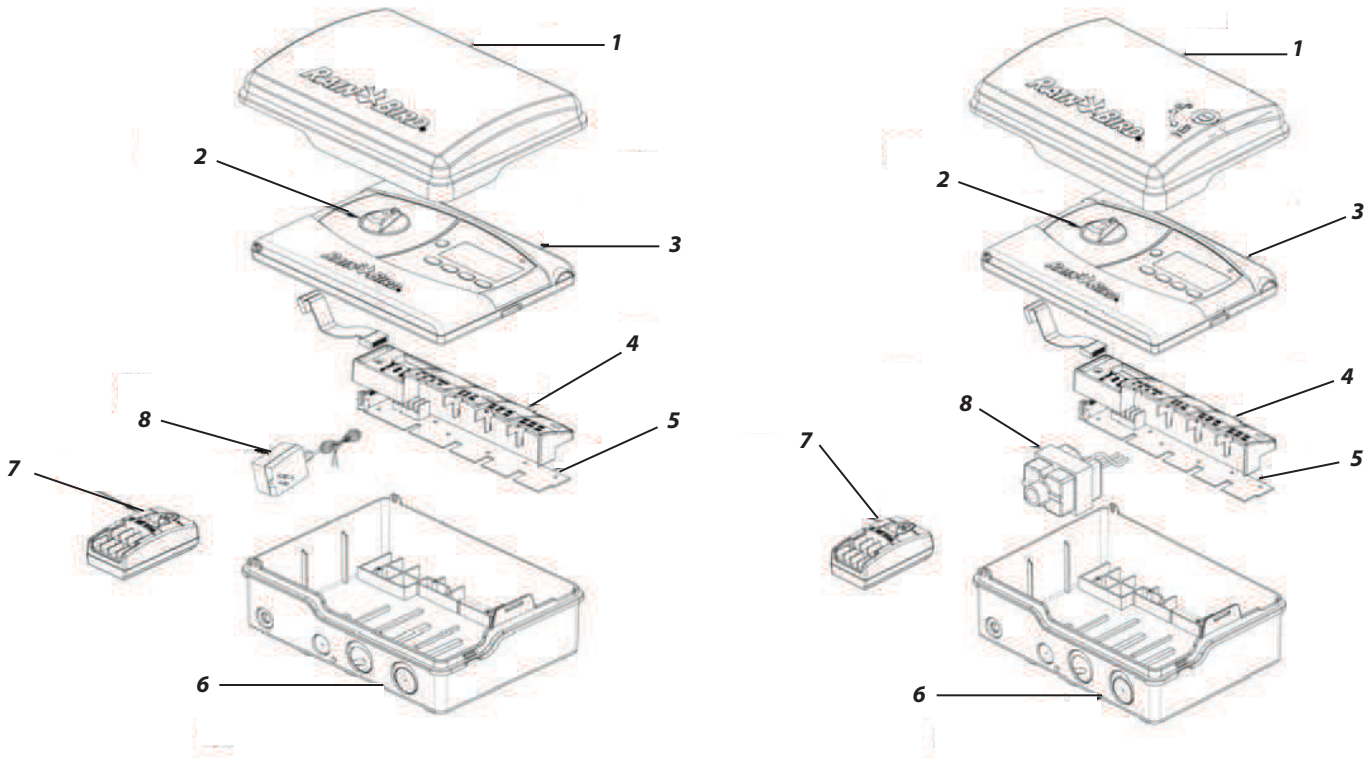
-	User Manual	1	(640251-01)	(640251-01)	(640251-01)	Available for download at www.rainbird.com
-	Quick Reference Manual	1	(638687-01)	(638687-01)	(638687-01)	Available for download at www.rainbird.com

Note: Part numbers enclosed in brackets () are not available individually, but may be sold in assemblies or kits.



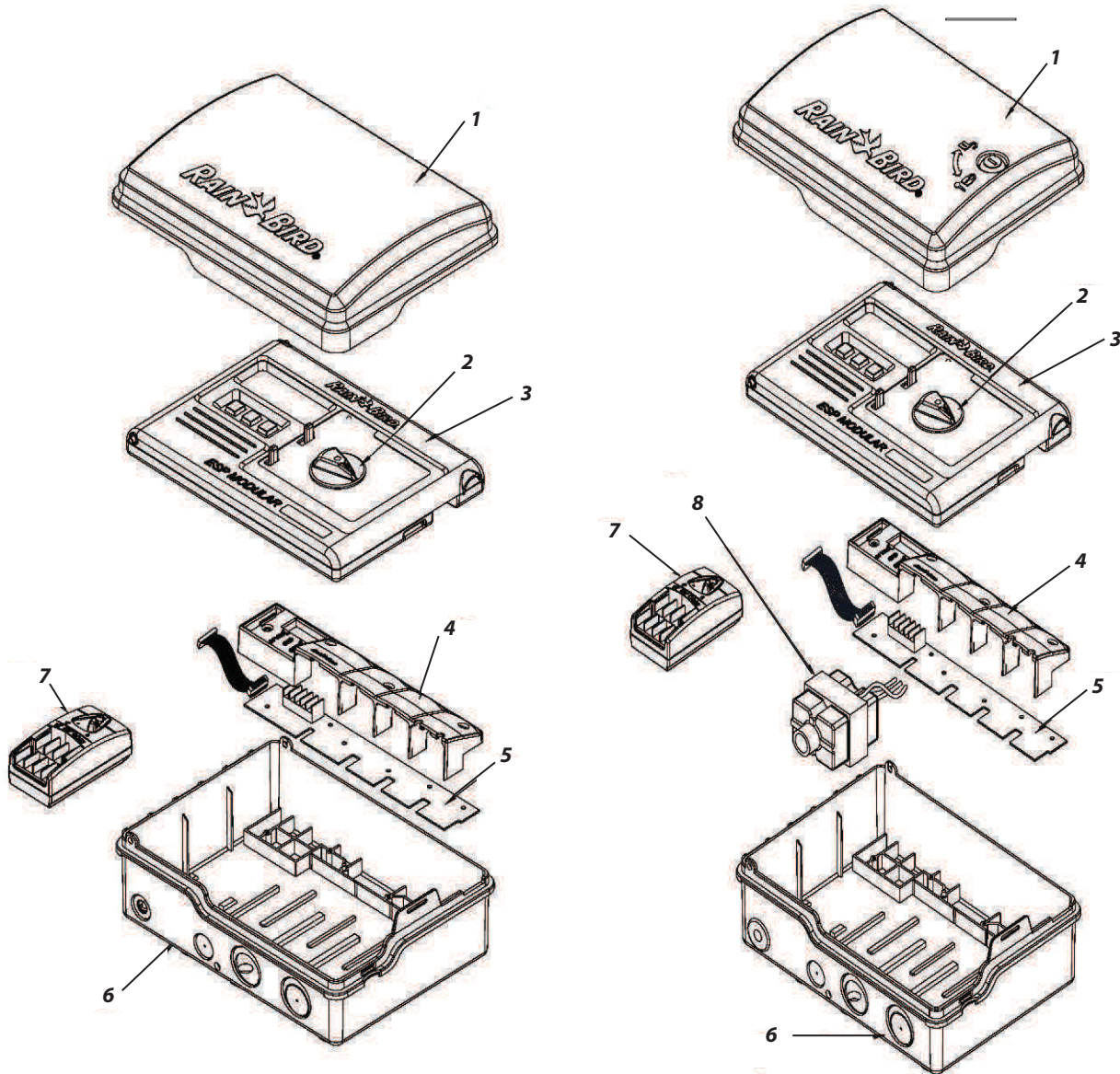
Ref.	Description	Qty.	RZX-4i	RZX-6i	RZX-8i
1	Front Panel Assembly	1	(638410-01)	(638410-02)	(638410-03)
2	Wire Cover, Indoor	1	(638324-01)	(638324-01)	(638324-01)
3	Battery, AAA, Alkaline, 1.5V	1	(638355-01)	(638355-01)	(638355-01)
4	Transformer 120 VAC, 60 HZ	1	638587-01	638587-01	638587-01
5	Transformer Intl (type C) 230V	1	638336-01	638336-01	638336-01
6	Transformer Arg, Iram 2063 230V	1	638336-02	638336-02	638336-02
Accessories					
-	User Manual	1	(640251-xx)	(640251-xx)	(640251-xx) Available for download at www.rainbird.com
-	Quick Reference Manual	1	(638687-xx)	(638687-xx)	(638687-xx) Available for download at www.rainbird.com

Note: Part numbers enclosed in brackets () are not available individually, but may be sold in assemblies or kits.



Ref.	Description	Qty.	ESP-ME(INDOOR)	ESP-ME (OUTDOOR)
1	Door Assembly	1	(638461-01)	(638461-02)
2	Panel Assembly, ESPME	1	(638460-01)	(638460-01)
3	Knob Selector	1	(635684)	(635684)
4	Cover, Backplane, ESPME	1	(638487-01)	(638487-01)
5	PWB Assembly, Backplane	1	635575-01	635575-01
6	Housing, Rear, ESPME	1	(638492-01)	(638492-01)
7	Module Zero Assembly	1	635695-01	635695-01
8	Transformer	1	637569-01	637570
Accessories				
-	User Manual	1	Available for download at www.rainbird.com	
-	3 Station Expansion Module	1	F38200	F38200
-	6 Station Expansion Module	1	F38260	F38260

Note: Part numbers enclosed in brackets () are not available individually, but may be sold in assemblies or kits.



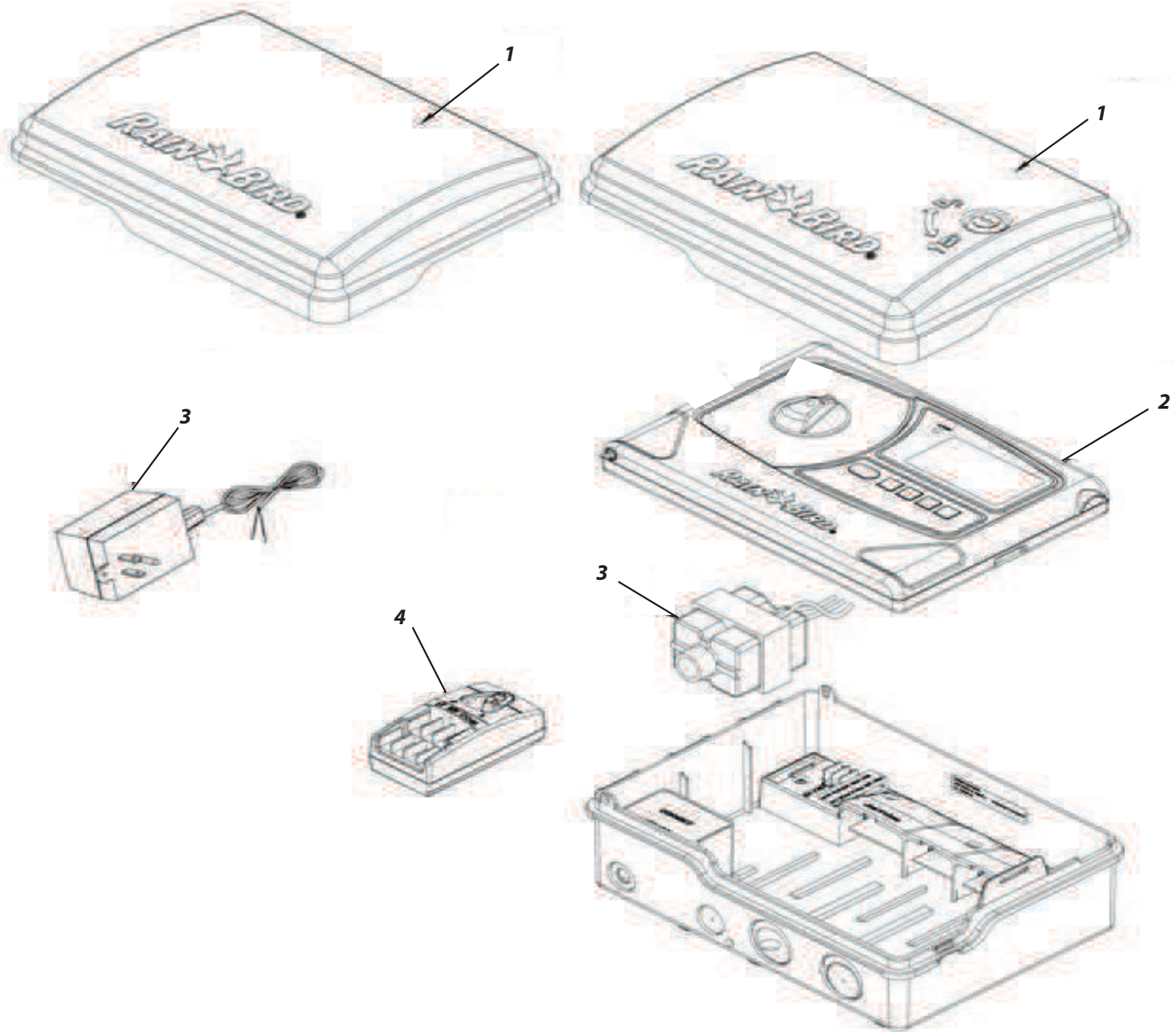
Ref. Part Description	Qty.	ESP-4Mi (Indoor)	ESP-4M (Outdoor)
1 Door Assembly	1	(635910-01)	(635693-01)
2 Knob Selector, ESP-Modular	1	(635684)	(635684)
3 Panel Assembly	1	(F38010)	(F38010)
4 Backplane cover, ESP Modular, Gray	1	(635680)	(635680)
5 Backplane PWB Assembly	1	635575-01	635575-01
6 Cabinet Case, ESP-Modular	1	(635676)	(635676)
7 Module Zero Assembly	1	635695	635695
8 Transformer 120VAC, 60Hz	1	637567-01	635570-R

Accessories

- Programming Chart	1	(635674)	(635674)
- Manual, English/Spanish/French	1	(635673)	(635673)
- Transformer, Indoor, ESP-Modular	1	(635640)	—
- Contractor Default Card	1	(636136)	(636136)
- 3 Station Expansion Module, ESP-Modular		F38200	F38200

Available for download at
www.rainbird.com

Note: Part numbers enclosed in brackets () are not available individually, but may be sold in assemblies or kits.

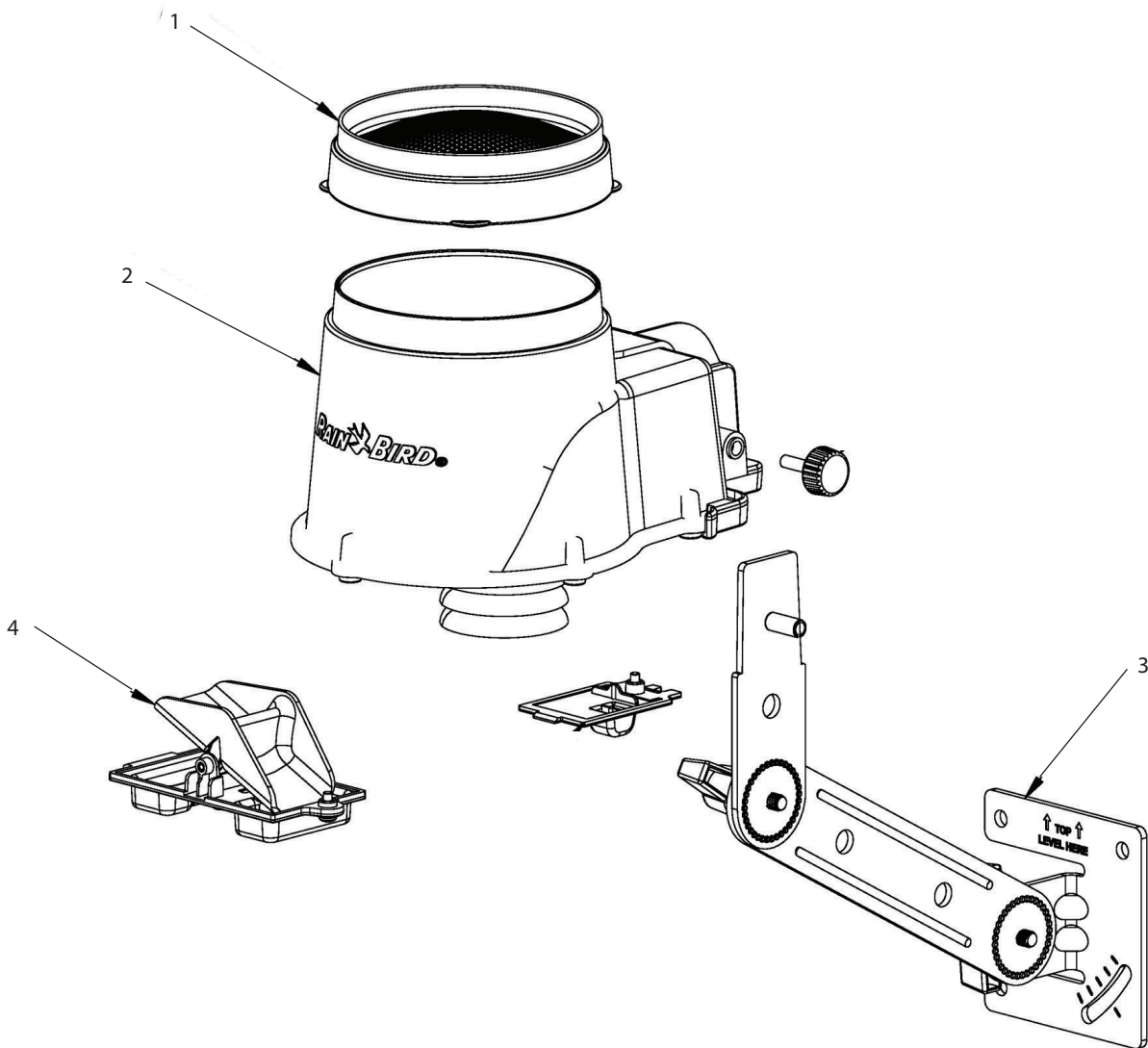


Ref.	Description	Otv.	ESP-SMT (Indoor)	ESP-SMT (Outdoor)
1	DOOR, ESP-SMT	1	(637694-01S)	(637526-01S)
2	PANEL ASSEMBLY	1	63734701S	63734701S
3	TRANSFORMER 120VAC, 60Hz (INDOOR)	1	637567-01	635570-12
4	Module Zero Assembly	1	635695	635695

ACCESSORIES

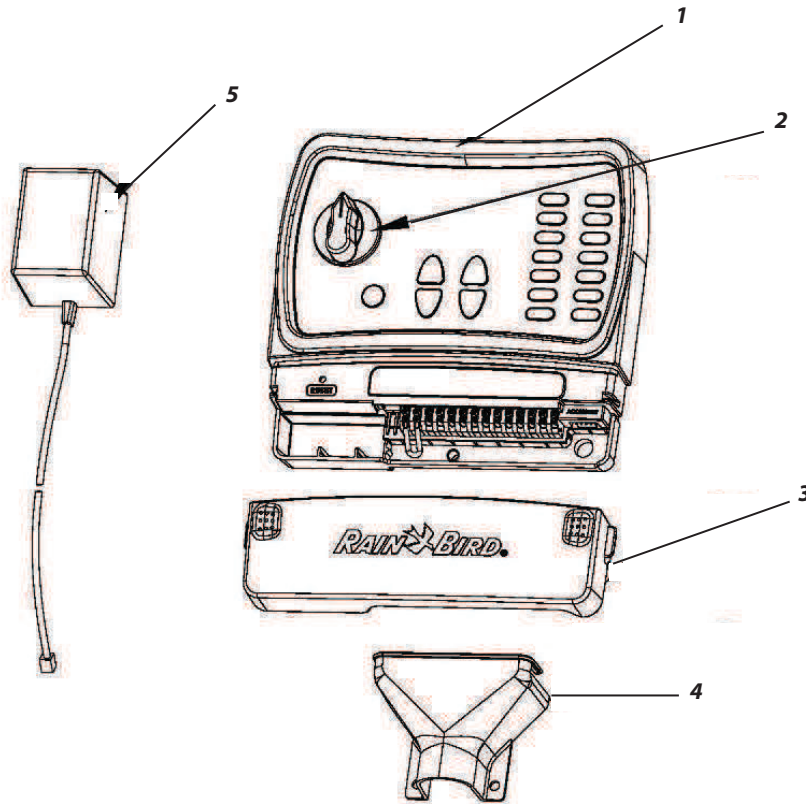
-	3 Station Expansion Module	1	F38200	F38200
-	User Manual (English)	1	Available for download at www.rainbird.com	
-	Site Profile Chart (English)	1		
-	User Manual (Spanish)	1		
-	Site Profile Chart (Spanish)	1		

Note: Part numbers enclosed in brackets () are not available individually, but may be sold in assemblies or kits.



Ref.	Part Description	Qty.	ESP-SMT SENSOR
1	Debris Screen, ESP-SMT	1	(637339-01S)
2	Weather Sensor Assembly (Includes Tipping Rain Bucket, Debris Screen and Wire Cover with captive screw)	1	(637338-01S)
3	Mounting Bracket Assembly (Includes Mounting Hardware and Knob)	1	(637352-01S)
4	Tipping Rain Bucket Assembly	1	(637337-01S)

Note: Part numbers enclosed in brackets () are not available individually, but may be sold in assemblies or kits.



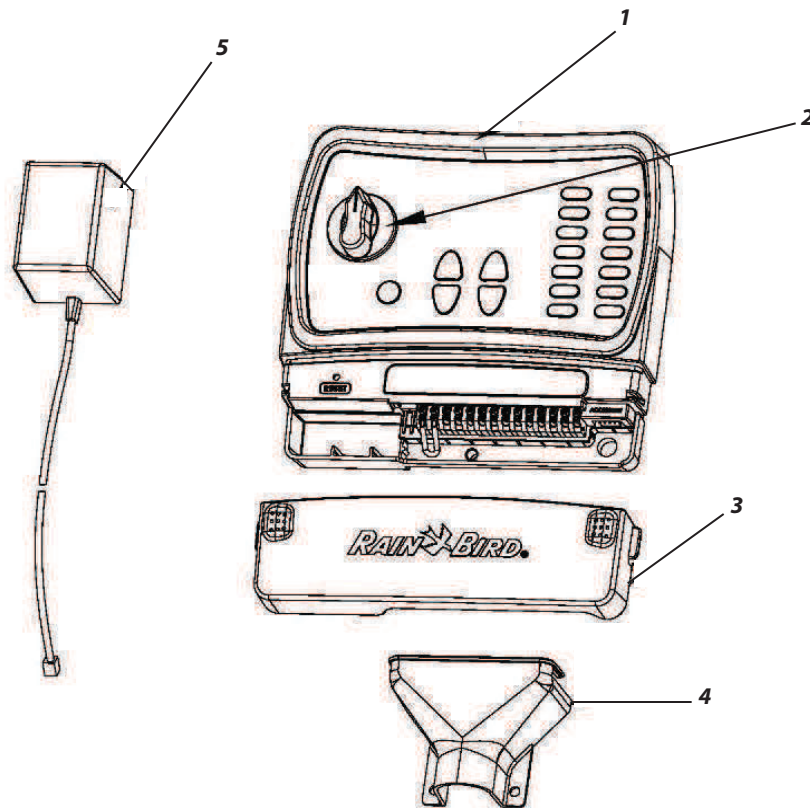
Ref.	Part Description	Qty.	STP400iEU	STP600iEU	STP900iEU
1	Front Panel Assembly	1	(637508-04)	(637508-05)	(637508-06)
2	Rotary Knob, STP	1	(637471-02)	(637471-02)	(637471-02)
3	Wiring Cover	1	637155-01	637155-01	637155-01

Accessories

4	Wiring Skirt	1	633943	633943	633943
5	Transformer Assembly 120VAC, 60Hz	1	634152-01	634152-01	634152-01
-	STP Manual, ENG / FRE / SPA / POR / ITA	1	(637589-01)	(637589-01)	(637589-01)
-	STP Manual, GER / DUT / GRE / TUR	1	(637589-02)	(637589-02)	(637589-02)
-	STP Language Card FRE / ITA	1	(637590-01)	(637590-01)	(637590-01)
-	STP Language Card SPA / POR	1	(637590-02)	(637590-02)	(637590-02)
-	STP Language Card GER / DUT	1	(637590-03)	(637590-03)	(637590-03)
-	STP Language Card GRE / TUR	1	(637590-04)	(637590-04)	(637590-04)

Available for download
at www.rainbird.com

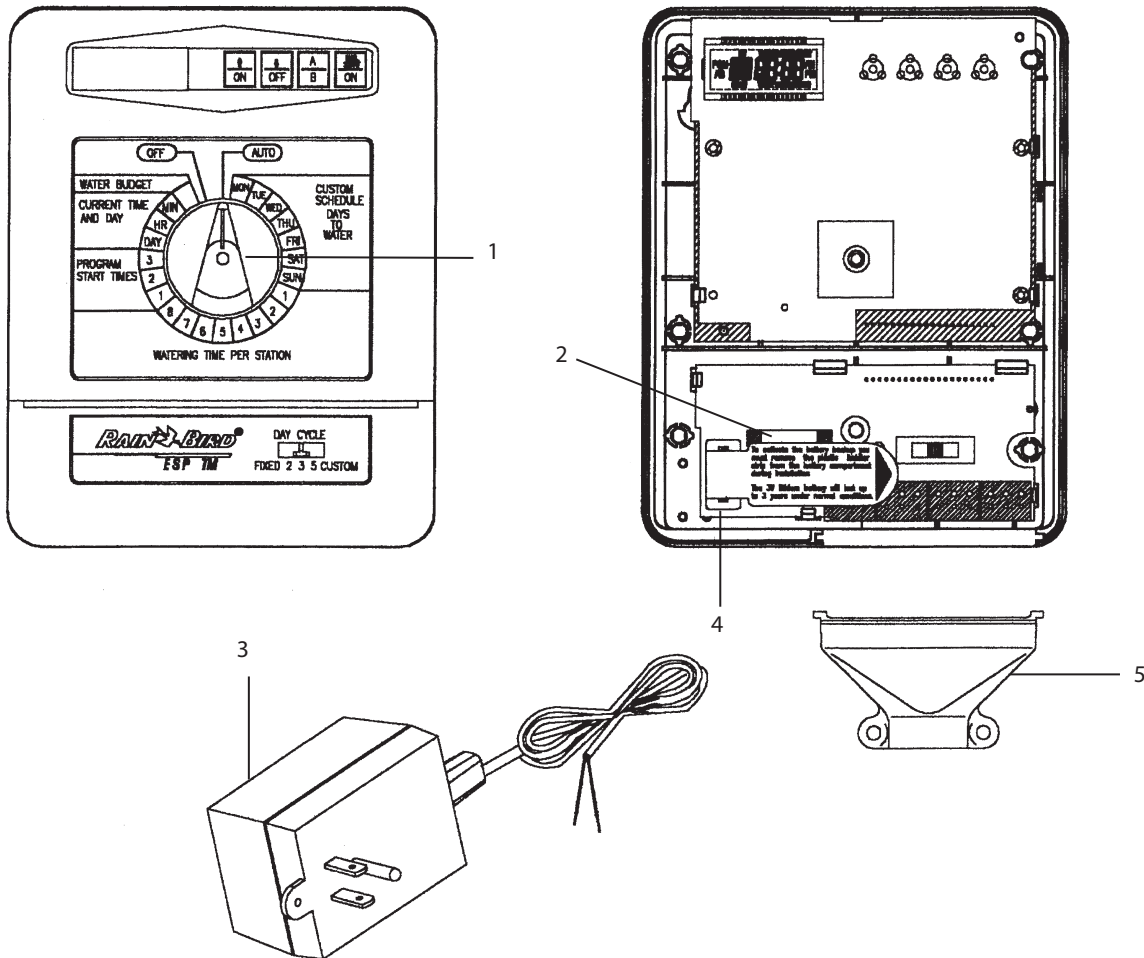
Note: Part numbers enclosed in brackets () are not available individually, but may be sold in assemblies or kits.



Ref. Part Description	Qty.	STP400i	STP600i	STP900i
1 Front Panel Assembly	1	(637508-01)	(637508-02)	(637508-03)
2 Rotary Knob, STP	1	(637471-02)	(637471-02)	(637471-02)
3 Wiring Cover	1	637155-01	637155-01	637155-01
Accessories				
4 Wiring Skirt	1	633943	633943	633943
5 Transformer Assembly 120VAC, 60Hz	1	637473-01S	637473-01S	637473-01S
- STP Manual, ENG	1	(637418-01)	(637418-01)	(637418-01)
- STP Manual, SPA	1	(637418-02)	(637418-02)	(637418-02)
- STP Language Card SPA	1	(637417-01)	(637417-01)	(637417-01)

**Available for download
at www.rainbird.com**

Note: Part numbers enclosed in brackets () are not available individually, but may be sold in assemblies or kits.

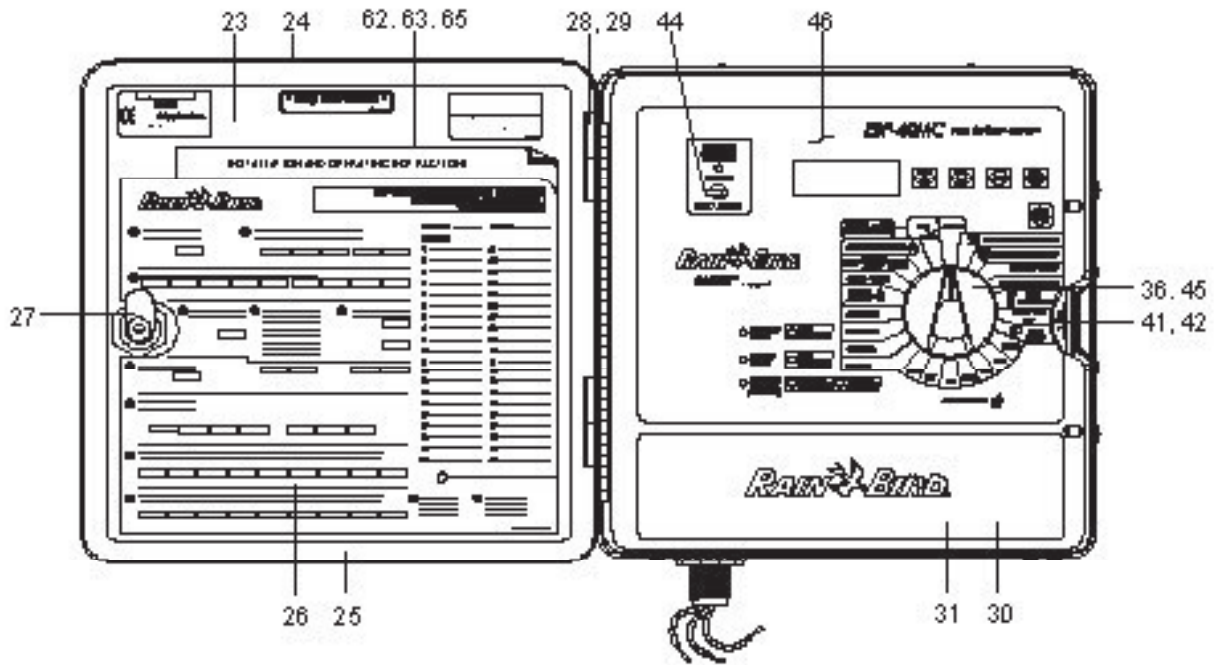


Ref	Description	Qty	Manufactured	Manufactured on or
			Feb 09 & earlier	after March 2009
			ESP-4TM	ESP-4TM
			ESP-6TM	ESP-6TM
			ESP-8TM	ESP-8TM
1	Function Selector Knob	1	(630946)	(630946)
2	Fuse, 250V, 0.75 Amp, 3AG	1	(650097-13)	—
3	Transformer, (Plug In) 120 VAC, 0.65A	1	633188	637817-015
4	Battery - Sony CR2025 3 Volt Lithium Cell	1	(651472)	(651472)
5	Wiring Skirt	1	633943	633943
-	Instruction Manual	1	(632993)	(632993)

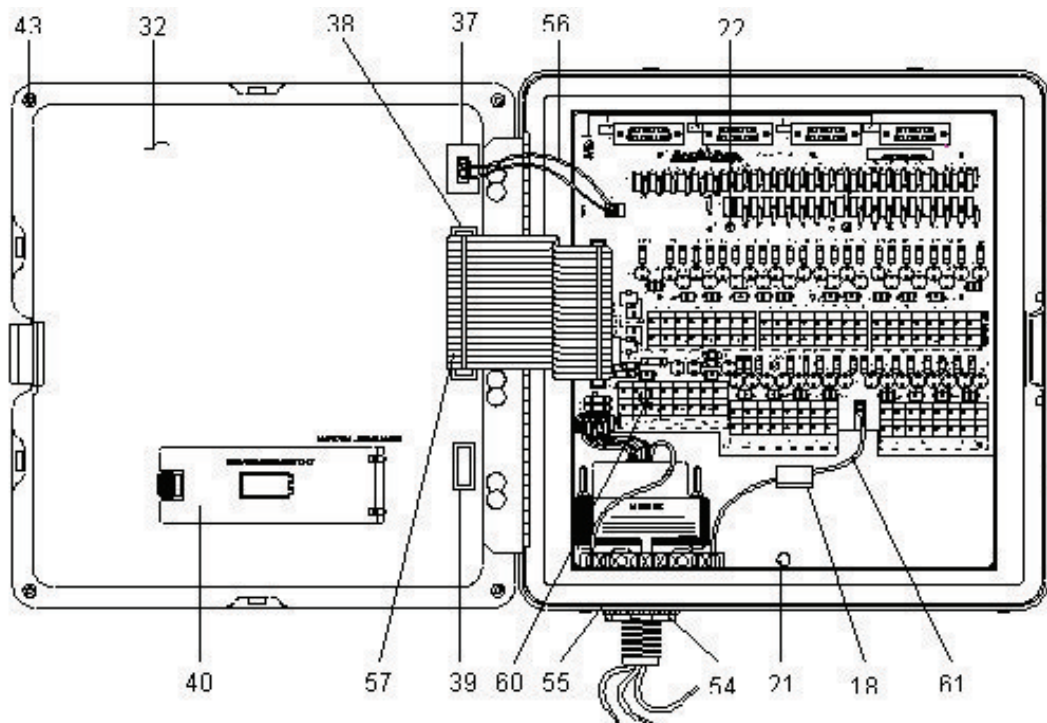
Available for download at www.rainbird.com

Note: Part numbers enclosed in brackets () are not available individually, but may be sold in assemblies or kits.

ESP-MC Front Panel in Closed Position

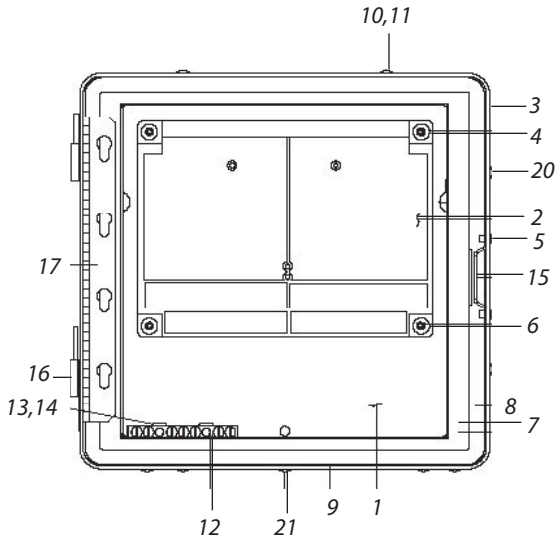


ESP-MC Front Panel in Open Position

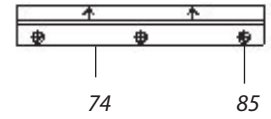


Note: Part numbers enclosed in brackets () are not available individually, but may be sold in assemblies or kits.

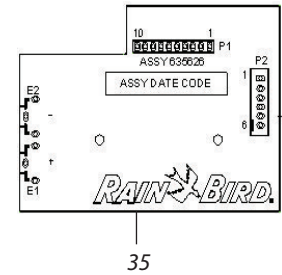
ESP-MC Cabinet Assembly



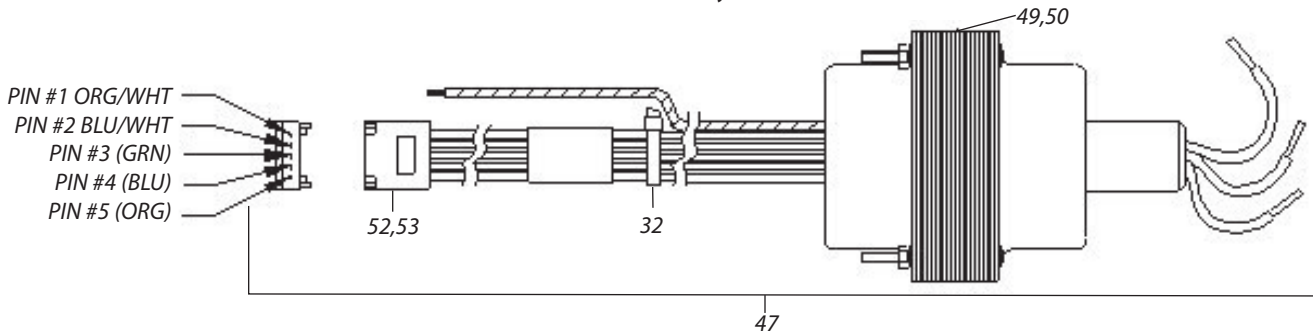
Bracket Wall-Mount Assembly



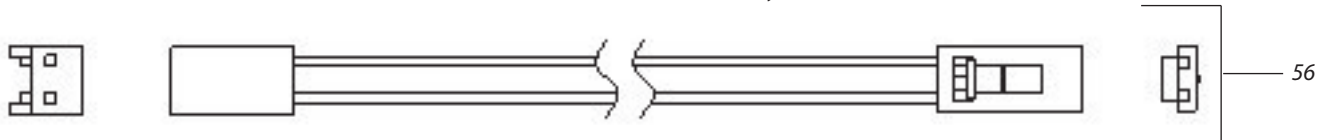
ESP-MC Battery Board Assembly



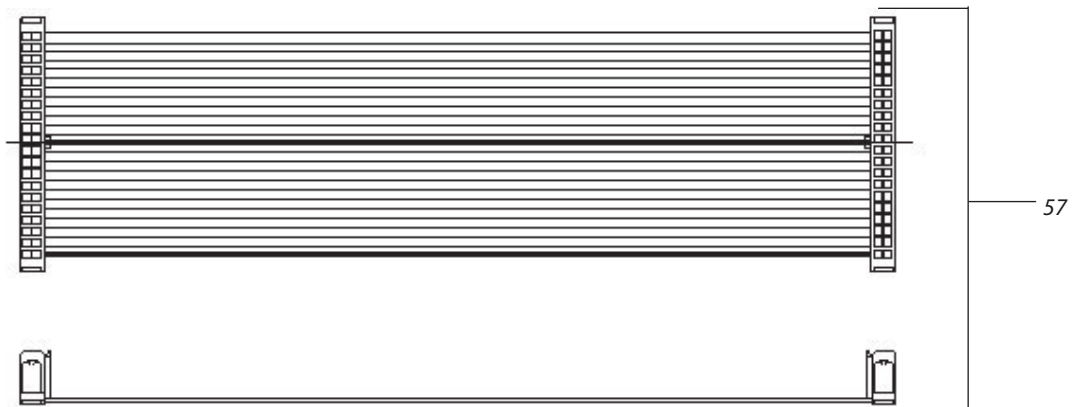
Transformer Assembly - ESP-MC



ESP-MC Sensor Cable Assembly

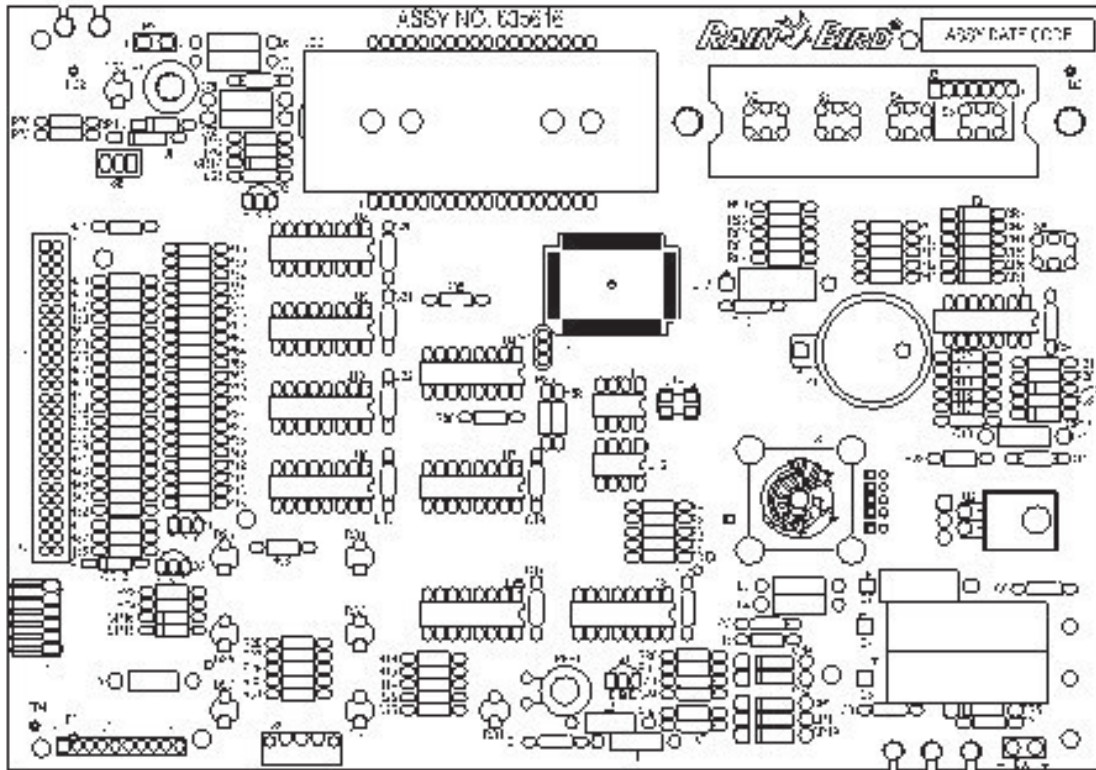


ESP-MC Cable Harness Assembly

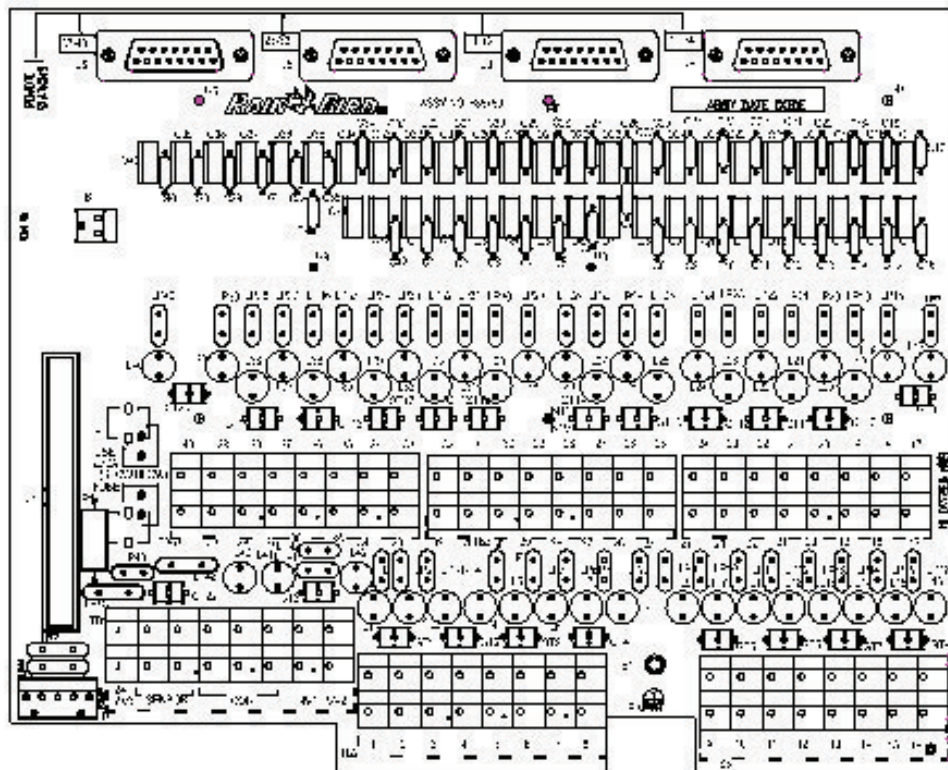


Note: Part numbers enclosed in brackets () are not available individually, but may be sold in assemblies or kits.

Control PWB Assembly



Terminal PWB Assembly



Note: Part numbers enclosed in brackets () are not available individually, but may be sold in assemblies or kits.

Ref	Description	Qty	ESP-12MC	ESP-24MC	ESP-40MC
1	ESP-MC CABINET ASSEMBLY	1	(633583)	(633583)	(633583)
2	Spacer, Terminal Board	1	(631919)	(631919)	(631919)
3	Cabinet, Draw Formed	1	(634126-03)	(634126-03)	(634126-03)
4	Washer, Flat #10	4	(650023-13)	(650023-13)	(650023-13)
5	Rivet Semitubular Oval Head	6	(650401)	(650401)	(650401)
6	Rivet Blind	4	(650434-13)	(650434-13)	(650434-13)
7	Seal, Panel-Frame	1	(635590)	(635590)	(635590)
8	Frame	1	(635591)	(635591)	(635591)
9	Seal, Frame-Cabinet	1	(635592)	(635592)	(635592)
10	Fastener, Push-in	8	(651594)	(651594)	(651594)
11	Washer, Fastener Seal Push-in	8	(635634)	(635634)	(635634)
12	Grounding Bar	1	(651440)	(651440)	(651440)
13	Washer, #8 Lock External Tooth	2	(650163-03)	(650163-03)	(650163-03)
14	Screw, #8-32x.625 Pan Head	2	(650106-46)	(650106-46)	(650106-46)
15	Strike, Lock	1	(635744)	(635744)	(635744)
16	Hinge, Male	2	(629227-01)	(629227-01)	(629227-01)
17	Hinge, Panel	1	(635593)	(635593)	(635593)
18	Wire Clip	1	(651446-02)	(651446-02)	(651446-02)
19	Corrosion Inhibitor Foam	1	(651331)	(651331)	(651331)
20	Plug Hole, .187 Nylon White	2	(650485-02)	(650485-02)	(650485-02)
21	Plug Hole, .250 Nylon White	4	(650485-04)	(650485-04)	(650485-04)
22	Screw, Hi-Lo #7-19x1/2 Pan Head	3	(650183-63)	(650183-63)	(650183-63)
23	ESP-MC DOOR ASSEMBLY	1	(635740-09)	(635740-09)	(635740-09)
24	Door Painted Gray	1	(629113-03)	(629113-03)	(629113-03)
25	Gasket "D" Shape	1	(651573)	(651573)	(651573)
26	Pocket, Door	1	(633174)	(633174)	(633174)
27	Lock, Cam	1	650755	650755	650755
28	Hinge, Female	2	(635745)	(635745)	(635745)
29	Rivet, Semitubular Oval Head	4	(650401)	(650401)	(650401)
30	ESP-MC FRONT PANEL ASSY	1	K01718	K01918	K02218
31	Front Panel	1	(635584)	(635584)	(635584)
32	Back Cover	1	(635588)	(635588)	(635588)
33	Seal Panel	1	(635587)	(635587)	(635587)
34	Control Board Assembly	1	(635616-02)	(635616-04)	(635616-06)
35	Battery Board Assembly	1	(635626-01)	(635626-01)	(635626-01)
36	Knob, Function Selector	1	(630946)	(630946)	(630946)
37	Gasket, Sensor Connector	1	(635733)	(635733)	(635733)
38	Gasket, Flat Cable Connector	1	(635734)	(635734)	(635734)
39	Gasket, Maxicom Connector	1	(635735)	(635735)	(635735)
40	Door, Battery	1	(635589)	(635589)	(635589)
41	Latch	1	(635620)	(635620)	(635620)
42	Spring Latch	1	(651609)	(651609)	(651609)
43	Screw, #4-24x5/16 Washer Head	4	(650563-23)	(650563-23)	(650563-23)
44	Boot, Sensor Switch	1	(635632)	(635632)	(635632)
45	Boot, Rotary Switch	1	(635633)	(635633)	(635633)
46	Overlay, Membrane Switch	1	(635594-02)	(635594-04)	(635594-06)

Note: Part numbers enclosed in brackets () are not available individually, but may be sold in assemblies or kits.

Ref	Description	Qty	ESP-12MC	ESP-24MC	ESP-40MC
47	Transformer Assembly 60 Hz	1	633148-01	633148-01	633148-01
48	Transformer Assembly 50 Hz	1	633148-02	633148-02	633148-02
49	Transformer 120 Volts	1	(633146)	(633146)	(633146)
50	Transformer 230 Volts	1	(633147)	(633147)	(633147)
51	Cable Tie, Nylon 7/8 Bundle	1	(650131)	(650131)	(650131)
52	Housing Crimp Terminal 5 Circ.	1	(650873-02)	(650873-02)	(650873-02)
53	Terminal Crimp Molex	5	(650323)	(650323)	(650323)
54	Locknut Conduit	1	(628013)	(628013)	(628013)
55	Washer Lock External Tooth	1	(651389)	(651389)	(651389)
CABLE ASSEMBLIES ESP-MC					
56	Cable Sensor Assembly	1	(635624-01)	(635624-01)	(635624-01)
57	Cable Assembly Ribbon	1	(635622)	(635622)	(635622)
58	Control PWB Assy ESP-MC	1	(635616-02)	(635616-04)	(635616-06)
C3,8,9,10,14					
16,17,20,24	Capacitor, .1uF, 50V	9	(650085-55)	(650085-55)	(650085-55)
C21	Capacitor, 1uF, 50V	1	(650085-55)	(650085-55)	(650085-55)
C22	Capacitor, 1uF, 50V	1	—	(650085-55)	(650085-55)
C18	Capacitor, 1uF, 50V	1	—	—	(650085-55)
C19	Capacitor, 1uF, 50V	1	—	—	(650085-55)
C1,2,11,23,25	Capacitor, .01uF, 100V	5	(650882-01)	(650882-01)	(650882-01)
C4	Capacitor Elect. 1000uF, 25V	1	(651054-12)	(651054-12)	(651054-12)
C5	Capacitor Elect. 330uF, 25V	1	(650624)	(650624)	(650624)
C6	Capacitor NPO	1	(650833-13)	(650833-13)	(650833-13)
C7,15	Capacitor Elect. 47uF, 10V	2	(650044-03)	(650044-03)	(650044-03)
CR1,5,19	Diode, 1N4002	6	(650077-02)	(650077-02)	(650077-02)
VR1	Diode Zener, 1N5232B	1	(650038-71)	(650038-71)	(650038-71)
CR6	Diode Switch, 1N4148	1	(650037-01)	(650037-01)	(650037-01)
CR7	Diode Switch, 1N4148	1	(650037-01)	(650037-01)	(650037-01)
CR8	Diode Switch, 1N4148	1	—	(650037-01)	—
CR9	Diode Switch, 1N4148	1	—	—	(650037-01)
CR11,18	Diode Switch, 1N4148	8	(650037-01)	(650037-01)	(650037-01)
DS1-DS8	Led, Red .200 Centers	8	(650910)	(650910)	(650910)
L1-L7	Inductor Ferrite	7	(650300-05)	(650300-05)	(650300-05)
P2	Sensor Cable	1	(635623-01)	(635623-01)	(635623-01)
Q1,Q2	Transistor PNP	2	(650369)	(650369)	(650369)
Q3,Q4	Transistor PNP 625 mW	2	(650367)	(650367)	(650367)
R2	Resistor 1/4 W, 3.3k Ohms	1	(650079-85)	(650079-85)	(650079-85)
R19,91	Resistor 1/4 W, 10k Ohms	2	(650079-97)	(650079-97)	(650079-97)
R3,74,					
75,96,97	Resistor 1/4 W, 220k Ohms	5	(650080-30)	(650080-30)	(650080-30)
R20,21,22,84,					
87,88,89,90	Resistor 1/4 W, 4.7k Ohms	8	(650079-89)	(650079-89)	(650079-89)
R4-16,73,					
81,82,93,94	Resistor 1/4 W, 100k Ohms	18	(650080-22)	(650080-22)	(650080-22)
R18,80,83,86	Resistor 1/4 W, 47k Ohms	4	(650080-14)	(650080-14)	(650080-14)
R95,R17	Resistor 1/4 W, 1k Ohms	2	(650079-73)	(650079-73)	(650079-73)
R23,R85	Resistor 1/4 W, 10 Ohms	2	(650079-25)	(650079-25)	(650079-25)
R25-R31	Resistor 1/4 W, 470 Ohms	7	(650079-65)	(650079-65)	(650079-65)
R24,32,					
98,49,56	Resistor 1/4 W, 150 Ohms	11	(650079-53)	(650079-53)	(650079-53)
R57-60	Resistor 1/4 W, 150 Ohms	4	(650079-53)	(650079-53)	(650079-53)
R61-64	Resistor 1/4 W, 150 Ohms	4	—	(650079-53)	(650079-53)
R65-72	Resistor 1/4 W, 150 Ohms	8	—	(650079-53)	(650079-53)
R33-36	Resistor 1/4 W, 150 Ohms	4	—	—	(650079-53)
R37-40	Resistor 1/4 W, 150 Ohms	4	—	—	(650079-53)
R41-44	Resistor 1/4 W, 150 Ohms	4	—	—	(650079-53)

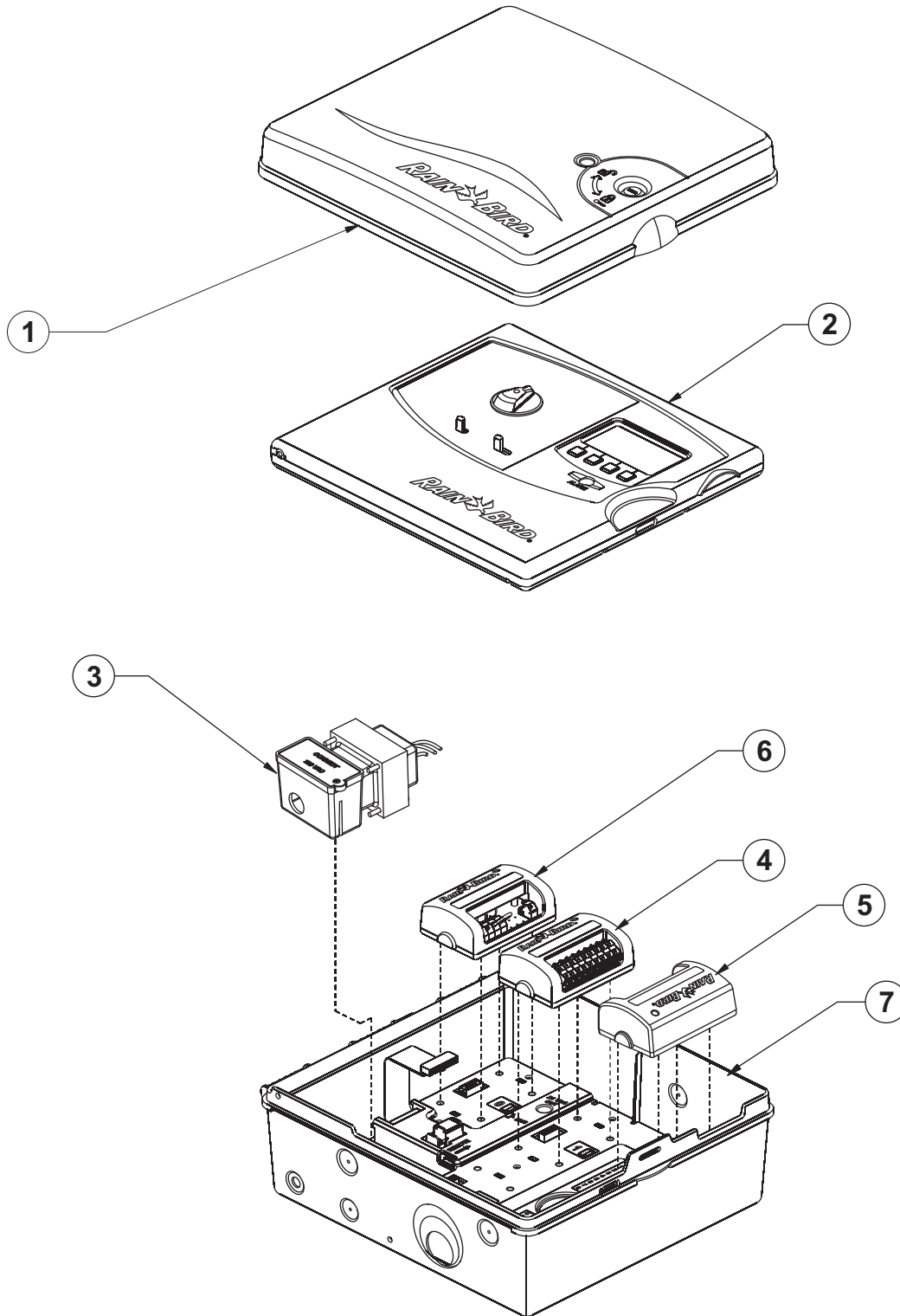
Note: Part numbers enclosed in brackets () are not available individually, but may be sold in assemblies or kits.

Ref	Description	Qty	ESP-12MC	ESP-24MC	ESP-40MC
R45-48	Resistor 1/4 W, 150 Ohms	4	—	—	(650079-53)
R78,79	Resistor 1/4 W, 150 Ohms	2	(650202-73)	(650202-73)	(650202-73)
S7	Switch, Rotary	1	(630609)	(630609)	(630609)
TS1	Trransorb Bi-Directional P6KE6.8	1	(650595-01)	(650595-01)	(650595-01)
U1	Microcomp, Toshiba, OTP	1	(633088)	(633088)	(633088)
U2	Regulator, Low Dropout, L4947H	1	(650962)	(650962)	(650962)
(U2)	Rivet, Blind Dome .125 Dia.	1	(650139-05)	(650139-05)	(650139-05)
(U2)	Washer, flat #5	1	(650023-03)	(650023-03)	(650023-03)
U3	I.C. Quad OP AMP, LM324	1	(650358)	(650358)	(650358)
U4	3-8 Line Decoder, 74HC259	1	(650699)	(650699)	(650699)
U5,U8	8 Bit Addressable Latch, 74HC259	2	(650889)	(650889)	(650889)
U9	8 Bit Addressable Latch, 74HC259	1	(650889)	(650889)	(650889)
U10	8 Bit Addressable Latch, 74HC259	1	—	(650889)	(650889)
U6	8 Bit Addressable Latch, 74HC259	1	—	—	(650889)
U7	8 Bit Addressable Latch, 74HC259	1	—	—	(650889)
U11	I.C. Real Time Clock, DS1302	1	(651011)	(651011)	(651011)
U12	I.C. EEPROM-4K Byte Serial	1	(651012)	(651012)	(651012)
U13	I.C. 8 Bit Input Mux	1	(651014)	(651014)	(651014)
B1	Battery, Lithium, 3V	1	(651009)	(651009)	(651009)
(B1)	Holder, Battery	1	(651010)	(651010)	(651010)
Y1	Resonator, Ceramic, 8 Mhz	1	(651013)	(651013)	(651013)
RPF1	Polyswitch, RXE, 60V, .65A	1	(651055-08)	(651055-08)	(651055-08)
R92	Resistor 1/4W, 8.2k Ohms	1	(650079-95)	(650079-95)	(650079-95)
S9	Switch, Slide	1	(651292)	(651292)	(651292)
C26	Capacitor, NPO 220pF, 100V	1	(650883-17)	(650883-17)	(650883-17)
R76	Resistor 1/4W, 2k Ohms	1	(650079-80)	(650079-80)	(650079-80)
LCD1	Liquid Crystal Display	1	(635361)	(635361)	(635361)
(LCD1)	Spacer, LCD	1	(635339)	(635339)	(635339)
J3	Header, Right Angle .100 Centers	1	(650530-07)	(650530-07)	(650530-07)
J1	Transition Socket, 10 Pins	1	(651607)	(651607)	(651607)
S8	Toggle Switch	1	(651606)	(651606)	(651606)
P1	Ribbon Cable Assembly	1	(635621)	(635621)	(635621)
U14	Crystal Osc. SMT Quartz, 32.768Khz1	(651665)	(651665)	(651665)	(651665)
S9	Terminal PWB Assy ESP-MC		(636015-02)	(636015-04)	(636015-06)
LP43	MOV 50V, 2500A	1	(651272)	(651272)	(651272)
C1-8,41,42	Capacitor .01uF, 100V	10	(650882-01)	(650882-01)	(650882-01)
C9-C12	Capacitor .01uF, 100V	4	(650882-01)	(650882-01)	(650882-01)
C13-16	Capacitor .01uF, 100V	4	—	(650882-01)	(650882-01)
C17-24	Capacitor .01uF, 100V	8	—	(650882-01)	(650882-01)
C25-28	Capacitor .01uF, 100V	4	—	—	(650882-01)
C29-32	Capacitor .01uF, 100V	4	—	—	(650882-01)
C33-36	Capacitor .01uF, 100V	4	—	—	(650882-01)
C37-40	Capacitor .01uF, 100V	4	—	—	(650882-01)
L1-8,41,42,43	Inductor, 22uH, 1.28A	11	(635771-10)	(635771-10)	(635771-10)
L9-12	Inductor, 22uH, 1.28A	4	(635771-10)	(635771-10)	(635771-10)
L13-16	Inductor, 22uH, 1.28A	4	—	(635771-10)	(635771-10)
L17-24	Inductor, 22uH, 1.28A	8	—	(635771-10)	(635771-10)
L25-28	Inductor, 22uH, 1.28A	4	—	—	(635771-10)
L29-32	Inductor, 22uH, 1.28A	4	—	—	(635771-10)
L33-36	Inductor, 22uH, 1.28A	4	—	—	(635771-10)
L37-40	Inductor, 22uH, 1.28A	4	—	—	(635771-10)

Note: Part numbers enclosed in brackets () are not available individually, but may be sold in assemblies or kits.

Ref	Description	Qty	ESP-12MC	ESP-24MC	ESP-40MC
LP1,8,41,42	Mov, 50V, 2500A	10	(651272)	(651272)	(651272)
LP9-12	Mov, 50V, 2500A	4	(651272)	(651272)	(651272)
LP13-16	Mov, 50V, 2500A	4	—	(651272)	(651272)
LP17-24	Mov, 50V, 2500A	8	—	(651272)	(651272)
LP25-28	Mov, 50V, 2500A	4	—	—	(651272)
LP29-32	Mov, 50V, 2500A	4	—	—	(651272)
LP33-36	Mov, 50V, 2500A	4	—	—	(651272)
LP37-40	Mov, 50V, 2500A	4	—	—	(651272)
LP44	Mov, 47V, 1000A	1	(650875)	(650875)	(650875)
LP45-47	Mov, 56V, 1000A	2	(624624)	(624624)	(624624)
Q1-8,41,42	Triac, 6A	10	(651138)	(651138)	(651138)
Q9-12	Triac, 6A	4	(651138)	(651138)	(651138)
Q13-16	Triac, 6A	4	—	(651138)	(651138)
Q17-24	Triac, 6A	8	—	(651138)	(651138)
Q25-28	Triac, 6A	4	—	—	(651138)
Q29-32	Triac, 6A	4	—	—	(651138)
Q33-36	Triac, 6A	4	—	—	(651138)
Q37-40	Triac, 6A	4	—	—	(651138)
R1	Resistor, 2W, .1 Ohms	1	(650766-01)	(650766-01)	(650766-01)
J1	Header, Polzd. .100 Centers	1	(650872-50)	(650872-50)	(650872-50)
TB1-TB2	Terminal Block, .300 SPC, 1 POS	16	(651000-01)	(651000-01)	(651000-01)
TB3	Terminal Block, .300 SPC, 1 POS	8	(651000-01)	(651000-01)	(651000-01)
TB4	Terminal Block, .300 SPC, 1 POS	8	—	(651000-01)	(651000-01)
TB5	Terminal Block, .300 SPC, 1 POS	8	—	—	(651000-01)
TB6	Terminal Block, .300 SPC, 1 POS	8	—	—	(651000-01)
(F1)	Fuse Clip (120 V)	2	(650098)	(650098)	(650098)
F1	Fuse, Slow Blow, 120 V, 2.5 Amp	1	(650431-28)	(650431-28)	(650431-28)
(F1)	Fuse Clip (220 V)	2	(651515)	(651515)	(651515)
F1	Fuse, Slow Blow, 220 V, 2.5 Amp	1	(650966-14)	(650966-14)	(650966-14)
GT1-4,21,22	Gas Tube, 300V, 20kA	6	(651427)	(651427)	(651427)
GT5-6	Gas Tube, 300V, 20kA	2	(651427)	(651427)	(651427)
GT7-8	Gas Tube, 300V, 20kA	2	—	(651427)	(651427)
GT9-12	Gas Tube, 300V, 20kA	4	—	(651427)	(651427)
GT13-14	Gas Tube, 300V, 20kA	2	—	—	(651427)
GT15-16	Gas Tube, 300V, 20kA	2	—	—	(651427)
GT17-18	Gas Tube, 300V, 20kA	2	—	—	(651427)
GT19-20	Gas Tube, 300V, 20kA	2	—	—	(651427)
LP46	Mov, 35V, 1000A	2	(624624)	(624624)	(624624)
J2	Header, Snap-in Pegs, 2 Pin	1	(651491-02)	(651491-02)	(651491-02)
J7	Header, Snap-in Pegs, 5 Pins	1	(651491-05)	(651491-05)	(651491-05)
J3	Connector, DB-15, Straight	1	(651659)	(651659)	(651659)
J4	Connector, DB-15, Straight	1	—	(651659)	(651659)
J5	Connector, DB-15, Straight	1	—	—	(651659)
J6	Connector, DB-15, Straight	1	—	—	(651659)
60	Sensor Jumper Wire	1	(633442)	(633442)	(633442)
61	Grounding Wire, 12 AWG	1	(634943-11)	(634943-11)	(634943-11)
Accessories ESP-MC					
62	Operation Manual	1	634593	634593	634593
63	Poster Installation Instruc. ESP-MC	1	634529	634529	634529
65	Card, Customer Registration	1	632354	632354	632354
66	Battery Nicad	1	650929	650929	650929
67	Wire Nuts Kit	1	(634613)	(634613)	(634613)
68	Mounting Screw Kit	1	(633182)	(633182)	(633182)
69	Mounting Plate Assy.	1	(635005-02)	(635005-02)	(635005-02)

Note: Part numbers enclosed in brackets () are not available individually, but may be sold in assemblies or kits.



Note: Part numbers enclosed in brackets () are not available individually, but may be sold in assemblies or kits.

Ref.	Description	Qty.	ESPLXM	IESPLXM	ESPLXMAUS
			F42100	F42150	F42180
1	Door Assebmly	1	636157-010	636157-010	636157-010
-	Hook, Manual Holder	1	(635056)	(635056)	(635056)
-	Door, ESP-LX Modular (indoor)	1	—	—	—
-	Overlay, LED, ESP-LX Modular	1	(636195)	(636195)	(636195)
-	Overlay, Quick Ref. ESP-LX Modular	1	(636283)	(636283)	(636283)
-	Cam, Lock	1	(651656)	(651656)	(651656)
-	Door, ESP-LX Modular Outdoor	1	(636614)	(636614)	(636614)
2	Front Panel Assembly, ESP-LX Modular		F42110	F42110	F42110
-	Front Panel ESP-LX Modular	1	(636158-01)	(636158-01)	(636158-01)
-	Label, Date Code & Serial Number	1	(635600-20)	(635600-20)	(635600-20)
-	Select Knob, ESP-LX Modular	1	(635684)	(635684)	(635684)
-	Slide Switch ACT ESP-LX Modular	2	(635685)	(635685)	(635685)
-	PWB Assy, Main CPU, ESP-LX Modular	1	(636030-010)	(636030-010)	(636030-010)
-	Switch 4 Pos Slide	2	(630651)	(630651)	(630651)
-	Label, Bar Code 39, Date Code	1	(631356-01)	(631356-01)	(631356-01)
-	Retainer Clip, COIN Cell	1	(635535)	(635535)	(635535)
-	PWB FAB, MainCPU, ESP-LX	1	(636031-010)	(636031-010)	(636031-010)
-	Rotary Switch, Gray Code	1	(636285)	(636285)	(636285)
-	Switch, P.B.	4	(650748-01)	(650748-01)	(650748-01)
-	LED, Clear Red Super Bright	1	(650910-R)	(650910-R)	(650910-R)
-	RES 2W 22 OHM 5%	1	(650955-33)	(650955-33)	(650955-33)
-	Battery, Lithium, 3.0 Volts	1	(651009)	(651009)	(651009)
-	Resistor, Surf MT, 100K OHM, 1/10	5	(651129)	(651129)	(651129)
-	Resistor, SMD 1/10W, 0805	9	(651586-14)	(651586-14)	(651586-14)
-	Thick Film Chip Resistor, 0805, 5%	2	(651586-21)	(651586-21)	(651586-21)
-	Thick Film Chip 1K	1	(651586-26)	(651586-26)	(651586-26)
-	Thick Film Chip 10K	14	(651586-37)	(651586-37)	(651586-37)
-	Thick Film Chip Resistor, 0805, 5%	8	(651586-80)	(651586-80)	(651586-80)
-	Multilayer Ceramic Chip	17	(651587-03)	(651587-03)	(651587-03)
-	Resonator, Ceramic, 8SMT	1	(651684)	(651684)	(651684)
-	Resistor 5%, 1/4W SMD, 1206	1	(651686-33)	(651686-33)	(651686-33)
-	Resistor 5% 1/4W SMD 12	1	(651686-89)	(651686-89)	(651686-89)
-	Capacitor, Ceramic Chip, 0805	3	(651708-05)	(651708-05)	(651708-05)
-	Capacitor, Tantalum, SMT 16V	5	(651738-01)	(651738-01)	(651738-01)
-	Capacitor, Tantalum, SMT 16V	4	(651738-03)	(651738-03)	(651738-03)
-	Capacitor, Ceramic Chip, SMD	2	(651739-25)	(651739-25)	(651739-25)
-	Switching Diode, Dual SMT, SOT23	4	(651741)	(651741)	(651741)
-	ZIF, HOR-MNT T-Contact	1	(651742)	(651742)	(651742)
-	Header, Dual, Right Angle, TH	1	(651745-12)	(651745-12)	(651745-12)
-	Resistor, Power, Axial, 1W	1	(651748-15)	(651748-15)	(651748-15)
-	IC, Transparent Latch, SMT	2	(651752)	(651752)	(651752)
-	SRAM 32KB, SOJ-28, IDT71V256SA20	1	(651753)	(651753)	(651753)
-	Decoder 3-8, SO-16, T&R	1	(651754)	(651754)	(651754)
-	NOR Gate, SMT SOIC-14	1	(651755)	(651755)	(651755)
-	Timekeeping Chip, 3.3V	1	(651757)	(651757)	(651757)
-	Transistor, PNP, 600MA	1	(651765)	(651765)	(651765)

Note: Part numbers enclosed in brackets () are not available individually, but may be sold in assemblies or kits.

ESP-LX Modular

Ref.	Description	Qty.	ESPLXM	IESPLXM	ESPLXMAUS
			F42100	F42150	F42180
-	Tactile Switch, TH-2Pin	1	(651766)	(651766)	(651766)
-	Diode, Rectifier, SMD	3	(651787)	(651787)	(651787)
-	Voltage Regulator, DPAK	1	(651791)	(651791)	(651791)
-	Diode Zener, 1/2W SOD	1	(651794-20)	(651794-20)	(651794-20)
-	Capacitor, Electrolytic, SMD, 35V	1	(651796-10)	(651796-10)	(651796-10)
-	Capacitor, Electrolytic, SMD, 25V	1	(651797-09)	(651797-09)	(651797-09)
-	Cap Tantalum, SMD 6.3V	2	(651875-01)	(651875-01)	(651875-01)
-	Cap Ceramic Chip SMD, 1206, X7R	2	(651876)	(651876)	(651876)
-	Resistor, SMD, 1/10W	1	(51880-50)	(51880-50)	(51880-50)
-	Resistor, SMD, 1/10W	1	(651880-71)	(651880-71)	(651880-71)
-	Thick Film Chip Resistor, 0805, 1%	1	(651882-30)	(651882-30)	(651882-30)
-	Thick Film Chip Resistor, 0805, 1%	2	(651882-38)	(651882-38)	(651882-38)
-	Thick Film Chip Resistor, 0805, 1%	9	(651882-68)	(651882-68)	(651882-68)
-	Thick Film Chip Resistor, 0805, 1%	1	(651883-59)	(651883-59)	(651883-59)
-	Micro-Cntr, SMT TQFP-64	1	(651886)	(651886)	(651886)
-	OPAMP LMV 358, SMT, SOIC-8	1	(651991)	(651991)	(651991)
-	Battery Snap, 9V	1	(651993)	(651993)	(651993)
-	Cap, Ceramic Chip, SMD, 0805 X7R	1	(652001-30)	(652001-30)	(652001-30)
-	Crystal, SMT, 6PF, 32.768Khz	1	(652152)	(652152)	(652152)
-	Inductor, Chip, Multilayer, 0805	1	(652153-04)	(652153-04)	(652153-04)
-	Display Visual Area 82X41 mm	1	(636083)	(636083)	(636083)
-	Panel Top ESP-LX Modular	1	(636146)	(636146)	(636146)
-	Panel, Bottom ESP-LX Modular	1	(636147)	(636147)	(636147)
-	IQ Door	1	(636149)	(636149)	(636149)
-	Lens/Gasket, LCD, ESP-LX Modular	1	(636153)	(636153)	(636153)
-	Keypad, 4 Postions	1	(636155)	(636155)	(636155)
-	Overlay, Main Panel, ESP-LX Modular	1	(636194)	(636194)	(636194)
-	Overlay, LED, ESP-LX Modular	1	(636195)	(636195)	(636195)
-	Screw, SLFTPG, PNH, #4-24.500L	6	(650104-03)	(650104-03)	(650104-03)
-	ESP-LX Modular Hardware Package	1	(636263-01)	(636263-01)	(636263-02)
-	Screw, TRHD Phil, Type A, 1 1/4	4	(651021-16)	(651021-16)	(651021-16)
-	Plastic Anchor 10-12 X 1" ESPM	4	(651393-03)	(651393-03)	(651393-03)
-	Cabinet Assy, ESP-LX Modular	1	(636266-01)	(636266-04)	(636266-03)
3	Transformer Assembly, ESP-LXM	1	637118-010	637118-020	637118-030
-	J-Box	1	(636145)	(636145)	(636145)
-	Transformer, Power, 120Vac	1	(636209)	-	-
-	J-Box Cover	1	(636181-01)	(636181-02)	(636181-03)
-	Transformer, Power, 230Vac	1	-	(636210-02)	(636210-06)
4	8-Station Module, ESP-LX Modular	1	F42210	F42210	F42210
-	PWB Assy, Generic Module, ESP-LXM	1	(636039-010)	(636039-010)	(636039-010)
-	PWB FAB, Generic Module, ESP-LXM	1	(636040-010)	(636040-010)	(636040-010)
-	LED, Clear Red, Super Bright	1	(650910)	(650910)	(650910)
-	Terminal Blk, W/ANG LED Conduit.	8	(651000-01)	(651000-01)	(651000-01)
-	Resistor, Surf MT, 100K OHM, 1/10	1	(651129)	(651129)	(651129)
-	Triac, 6AMP, 400V, Isolated Tab	8	(651138)	(651138)	(651138)
-	MOV, 47 V, 1000 A	8	(651467)	(651467)	(651467)

Note: Part numbers enclosed in brackets () are not available individually, but may be sold in assemblies or kits.

Ref.	Description	Qty.	ESPLXM F42100	IESPLXM F42150	ESPLXMAUS F42180
-	Resistor, SMD 1/10W, 0805	8	(651586-14)	(651586-14)	(651586-14)
-	Thick Film Chip Resistor, 0805, 5%	1	(651586-21)	(651586-21)	(651586-21)
-	Thick Film Chip 1K	8	(651586-26)	(651586-26)	(651586-26)
-	Thick Film Chip 1M OHMS	1	(651586-49)	(651586-49)	(651586-49)
-	Resistor 5% 1/4W SMD 12	1	(651686-89)	(651686-89)	(651686-89)
-	Shrouded Header, Low Profile, TH, 2X5	1	(651768-03)	(651768-03)	(651768-03)
-	Schottky Diode, Dual SMT	3	(651786)	(651786)	(651786)
-	Diode, Rectifier, SMD	1	(651787)	(651787)	(651787)
-	Transistor, PNP, 350 MW	1	(651788)	(651788)	(651788)
-	Resistor, SMD, 1/2W	1	(651789-26)	(651789-26)	(651789-26)
-	Resistor, SMD, 1/2W	1	(651789-47)	(651789-47)	(651789-47)
-	8-Bit Micro, TQFP-32	1	(651790)	(651790)	(651790)
-	Voltage Regulator, DPAK	1	(651791)	(651791)	(651791)
-	Diode Zener, 1/2W SOD	1	(651794-20)	(651794-20)	(651794-20)
-	Resonator, Ceramic, 8SMT	1	(651684)	(651684)	(651684)
-	Capacitor, Electrolytic, SMD, 35V	1	(651796-07)	(651796-07)	(651796-07)
-	Capacitor, Electrolytic, SMD, 25V	1	(651797-07)	(651797-07)	(651797-07)
-	Cap Tantalum, SMD 6.3V	1	(651875-01)	(651875-01)	(651875-01)
-	Resistor, SMD, 1/10W	1	(651880-50)	(651880-50)	(651880-50)
-	Resistor, SMD, 1/10W	1	(651880-71)	(651880-71)	(651880-71)
-	Thick Film Chip Resistor, 0805, 1%	7	(651882-01)	(651882-01)	(651882-01)
-	Thick Film Chip 220 ohms	8	(651586-17)	(651586-17)	(651586-17)
-	Thick Film Chip Resistor, 0805, 1%	2	(651883-43)	(651883-43)	(651883-43)
-	TB,0.300 Spc,W/2 ANG LED Conductor,Blk	1	(651994-01)	(651994-01)	(651994-01)
-	Inductor,Radial,High Current(3.9To10,000UH)	8	(652032-18)	(652032-18)	(652032-18)
-	Inductor, Chip, Multilayer, 0805	1	(652153-040)	(652153-040)	(652153-040)
-	Transistor, N-Channel Mosfet, SOT23	2	(652168-010)	(652168-010)	(652168-010)
-	Capacitor, Softterm, 0805, X7R	7	(652288-370)	(652288-370)	(652288-370)
-	Capacitor, Softterm, 0805, X7R	3	(652289-250)	(652289-250)	(652289-250)
5	4-Station Module, ESP-LX Modular	1	F42200	F42200	F42200
-	PWB Assy, Generic Module, ESP-LXM	1	(636039-010)	(636039-010)	(636039-010)
-	PWB FAB, Generic Module, ESP-LXM	1	(636040-010)	(636040-010)	(636040-010)
-	LED, Clear Red, Super Bright	1	(650910)	(650910)	(650910)
-	Terminal Blk, W/ANG LED Condu.	4	(651000-01)	(651000-01)	(651000-01)
-	Resistor, Surf MT, 100K OHM, 1/10	1	(651129)	(651129)	(651129)
-	Triac, 6AMP, 400V, Isolated Tab	4	(651138)	(651138)	(651138)
-	MOV, 47 V, 1000 A	4	(651467)	(651467)	(651467)
-	Capacitor, Ceramic Chip, SMD	3	(651739-25)	(651739-25)	(651739-25)
-	Resistor, SMD 1/10W, 0805	8	(651586-14)	(651586-14)	(651586-14)
-	Thick Film Chip Resistor, 0805, 5%	1	(651586-21)	(651586-21)	(651586-21)
-	Thick Film Chip 220 ohms	4	(651586-17)	(651586-17)	(651586-17)
-	Thick Film Chip 1K	4	(651586-26)	(651586-26)	(651586-26)
-	Thick Film Chip 1M OHMS	1	(651586-49)	(651586-49)	(651586-49)
-	Multilayer Ceramic Chip	7	(651587-03)	(651587-03)	(651587-03)
-	Resistor 5% 1/4W SMD 12	1	(651686-89)	(651686-89)	(651686-89)
-	Shrouded Header, Low Profile, TH, 2X5	1	(651768-03)	(651768-03)	(651768-03)

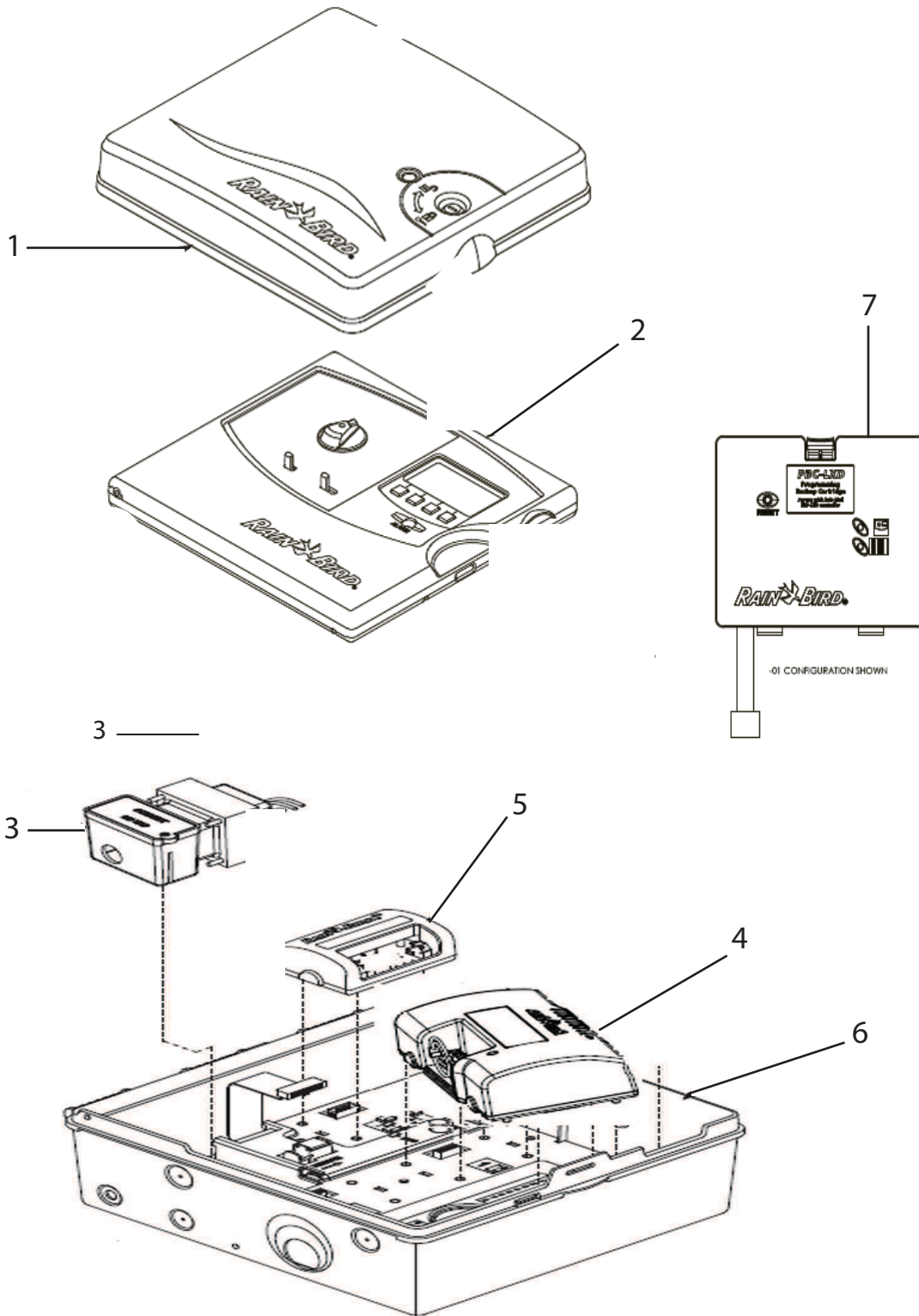
Note: Part numbers enclosed in brackets () are not available individually, but may be sold in assemblies or kits.

Ref.	Description	Qty.	ESPLXM	IESPLXM	ESPLXMAUS
			F42100	F42150	F42180
-	Schottky Diode, Dual SMT	3	(651786)	(651786)	(651786)
-	Diode, Rectifier, SMD	1	(651787)	(651787)	(651787)
-	Transistor, PNP, 350 MW	1	(651788)	(651788)	(651788)
-	Resistor, SMD, 1/2W	1	(651789-26)	(651789-26)	(651789-26)
-	Resistor, SMD, 1/2W	1	(651789-47)	(651789-47)	(651789-47)
-	8-Bit Micro, TQFP-32	1	(651790)	(651790)	(651790)
-	Voltage Regulator, DPAK	1	(651791)	(651791)	(651791)
-	Diode Zener, 1/2W SOD	1	(651794-20)	(651794-20)	(651794-20)
-	Resonator, Ceramic, 8SMT	1	(651684)	(651684)	(651684)
-	Capacitor, Electrolytic, SMD, 35V	1	(651796-07)	(651796-07)	(651796-07)
-	Capacitor, Electrolytic, SMD, 25V	1	(651797-07)	(651797-07)	(651797-07)
-	Cap Tantalum, SMD 6.3V	1	(651875-01)	(651875-01)	(651875-01)
-	Resistor, SMD, 1/10W	1	(651880-50)	(651880-50)	(651880-50)
-	Resistor, SMD, 1/10W	1	(651880-71)	(651880-71)	(651880-71)
-	Thick Flim Chip Resistor, 0805, 1%	7	(651882-01)	(651882-01)	(651882-01)
-	Thick Flim Chip Resistor, 0805, 1%	2	(651883-43)	(651883-43)	(651883-43)
-	TB,0.300 Spc,W/2 Ang Led Conductor, Black	1	(651994-01)	(651994-01)	(651994-01)
-	Inductor, Chip, Multilayer, 0805	1	(652153-040)	(652153-040)	(652153-040)
-	Transistor, N-Channel Mosfet, SOT23	2	(652168-010)	(652168-010)	(652168-010)
-	Capacitor, Softterm, 0805, X7R	7	(652288-370)	(652288-370)	(652288-370)
6	Module Assy, Base, ESP-LX Modular	1	636161-010	636161-010	636161-010
-	Sensor, Jumper Wire-E-Class	1	(633574)	(633574)	(633574)
-	PWB Assy, Module 0, ESP-LX Modular	1	(636036-010)	(636036-010)	(636036-010)
-	PWB FAB, Module 0, ESP-LX Modular	1	(636037-010)	(636037-010)	(636037-010)
-	LED, Clear Red Super Bright	1	(650910)	(650910)	(650910)
-	Polyswitch, RXE Series	1	(651055-08)	(651055-08)	(651055-08)
-	Resistor, Surf MT, 100K OHM, 1/10	1	(651129)	(651129)	(651129)
-	Triac, 6AMP, 400V, Isolated Tab	1	(651138)	(651138)	(651138)
-	MOV, 47 V, 1000 A THK<0.15"	3	(651467)	(651467)	(651467)
-	Resistor, SMD, 1/10W	1	(651586-10)	(651586-10)	(651586-10)
-	Thick Film Chip Resistor, 0805, 5%	1	(651586-21)	(651586-21)	(651586-21)
-	Thick Film Chip 1K	1	(651586-26)	(651586-26)	(651586-26)
-	Thick Film Chip 10K	1	(651586-37)	(651586-37)	(651586-37)
-	Thick Film Chip RES 1/2	2	(651614-26)	(651614-26)	(651614-26)
-	Cap. Ceramic Chip, SMD	2	(651739-25)	(651739-25)	(651739-25)
-	Switching Diode, Dual SMT, SOT23	1	(651741)	(651741)	(651741)
-	Receptacle, TH, 2X5	1	(651771-03)	(651771-03)	(651771-03)
-	TB, 0.300 Spc, W/1 ANG LED Conductor	1	(651772-01)	(651772-01)	(651772-01)
-	Transistor, PNP, 350 MW	1	(651788)	(651788)	(651788)
-	Diode Zener, 1/2W SOD	1	(651794-24)	(651794-24)	(651794-24)
-	Cap Tantalum, SMD 6.3V	1	(651875-01)	(651875-01)	(651875-01)
-	TB,0.300 Spc,W/1 Ang Led Conductor,Black	1	(651995-01)	(651995-01)	(651995-01)
-	Inductor,Radial,High Current(3.9-10,000UH)	2	(652032-18)	(652032-18)	(652032-18)
-	Module Top, ESP-LX Modular	1	(636150-010)	(636150-010)	(636150-010)
-	Module Bottom, ESP-LX Modular	1	(636151-010)	(636151-010)	(636151-010)
-	ID Strip, Module, ESP-LX M (Light Gray)	1	(636152-010)	(636152-010)	(636152-010)

Note: Part numbers enclosed in brackets () are not available individually, but may be sold in assemblies or kits.

Ref.	Description	Qty.	ESPLXM	IESPLXM	ESPLXMAUS
			F42100	F42150	F42180
-	Button Module ESP-LX M	2	(636180-010)	(636180-010)	(636180-010)
-	Screw, SLFTPG, PNH, #4-24, 500L	2	(650104-03)	(650104-03)	(650104-03)
7	Rear Housing Assy, ESP-LXM	1	(636267-020)	(636267-010)	(636267-010)
-	PWB Assembly Backplane ESP-LXM	1	(636033-010)	(636033-010)	(636033-010)
-	PWB FAB, Backplane, ESP-LXM	1	(636034-010)	(636034-010)	(636034-010)
-	Harness, Flat Cable 24 POS	1	(636089)	(636089)	(636089)
-	Terminal Block W/Protection,3-Position	1	(636817-010)	(636817-010)	(636817-010)
-	Wire, A.I.	20	(650625-03)	(650625-03)	(650625-03)
-	RES, Metal Oxide .10HM 2W 2%	1	(650766-01)	(650766-01)	(650766-01)
-	Cap, .01 UF 100V	2	(650882-01)	(650882-01)	(650882-01)
-	Resistor, 1/4W, 1%, Metal	1	(650983-32)	(650983-32)	(650983-32)
-	Resistor, 1/4W, 1%, Metal	1	(650983-52)	(650983-52)	(650983-52)
-	Resistor, 1/4W, 1%, Metal	1	(650983-70)	(650983-70)	(650983-70)
-	Resistor, 1/4W, 1%, Metal	1	(650983-87)	(650983-87)	(650983-87)
-	Polyswitch, RXE Series	1	(651055-08)	(651055-08)	(651055-08)
-	Polyswitch, RXE Series	1	(651055-16)	(651055-16)	(651055-16)
-	MOV, 50 Vac, 2500 A, 10 mm	1	(651272)	(651272)	(651272)
-	Single Terminal Blck Rising CL	1	(651327)	(651327)	(651327)
-	MOV, 47 V, 1000 A THK<0.15"	1	(651467)	(651467)	(651467)
-	Header Right Angle Lock	1	(651630-05)	(651630-05)	(651630-05)
-	Shrouded Header, Low Profile, TH, 2X5	1	(651768-03)	(651768-03)	(651768-03)
-	Receptacle, TH, 2X5	4	(651771-03)	(651771-03)	(651771-03)
-	Conector,3mm,Header W/Clips,Dual,V,Lf	1	(652191-05)	(652191-05)	(652191-05)
-	Housing, Rear, ESP-LX Modular (Indoor)	1	—	—	—
-	Backplane Cover, ESP-LX Modular	1	(636148-010)	(636148-010)	(636148-010)
-	Screw, SLFTPG, PNH, #4-24,500L	8	(650104-03)	(650104-03)	(650104-03)
-	Screw, SLFTPG, PNH, #4-24,500L	2	(650104-03)	(650104-03)	(650104-03)
-	Screw PHL PNH Hi-Lo 6-19X3/8	1	(650183-46)	(650183-46)	—
-	Wire Nut 22-14, E-Class	3	—	—	—
Accessories					
	Programming Chart, Eng/Span	1	636282		
	Manual, Eng/Span	1	636281-010		
	Quick Reference Guide, Eng/Span	1	(636283-010)		

Note: Part numbers enclosed in brackets () are not available individually, but may be sold in assemblies or kits.



Note: Part numbers enclosed in brackets () are not available individually, but may be sold in assemblies or kits.

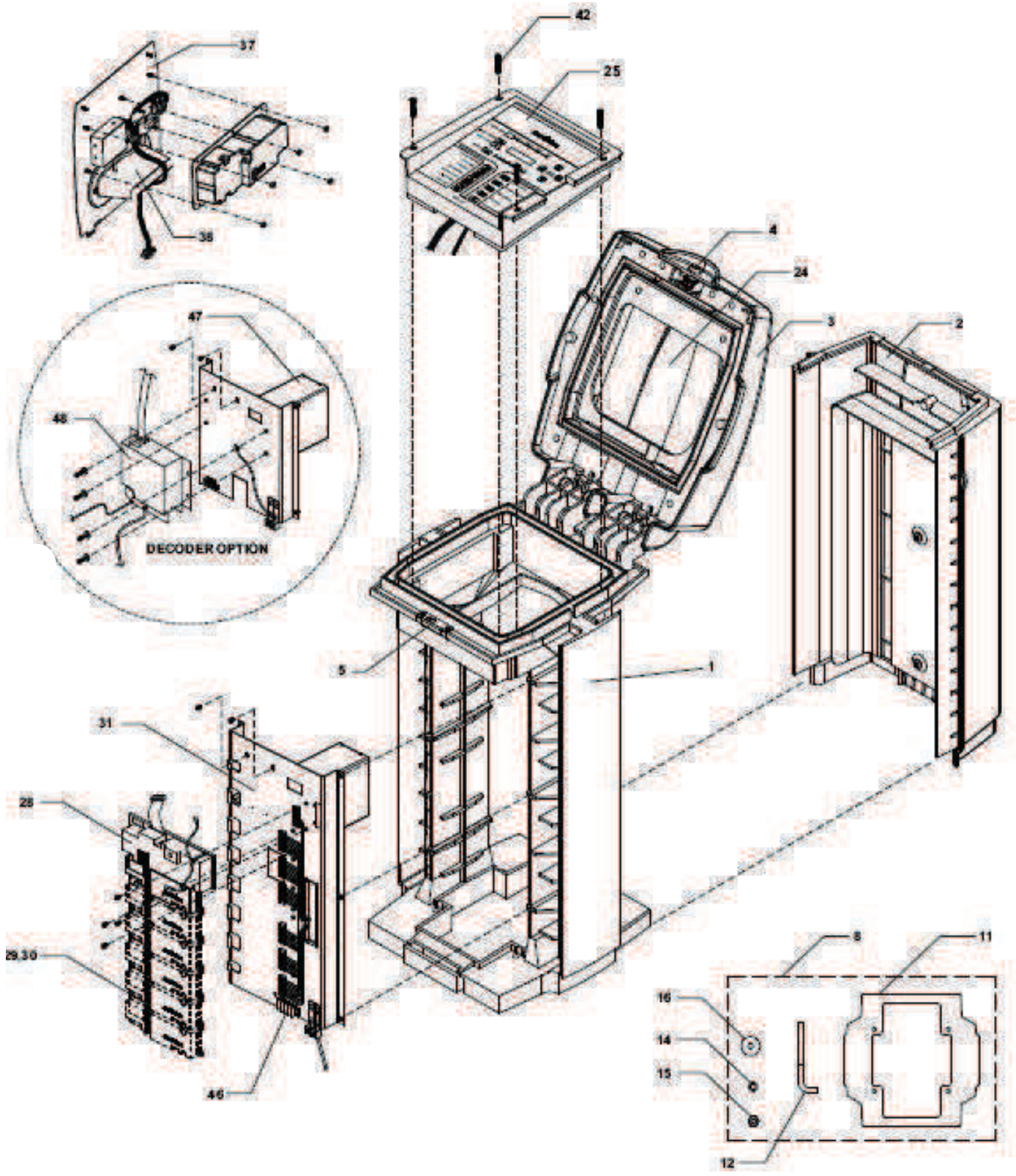
Ref.	Part Description	QTY	ESPLXD	IESPLXD	IESPLXDEU	IESPLXDA
			F43100	F43110	F43120	F43130
1	Door Assembly, LXD (English)	1	(636157-05)	(636157-05)	(636157-03)	(636157-05)
2	Front Panel Assembly, LXD	1	F43180	(637798-04)	(637798-04)	(637798-04)
3	Transformer Assembly, ESP-LXD	1	637118010S	637118020S	637118020S	637118030S
4	Decoder Module, ESP-LXD	1	F43170	F43170	F43170	F43170
5	SM75, Moduel Assembly, ESP-LXD	1	F43150	F43150	F43150	F43150
6	Rear Housing Assembly, ESP-LXM (No Transformer)	1	(636267-01)	(636267-01)	(636267-01)	(636267-01)
7	PBC, Module Assembly, ESP-LXD	1	F43200	F43200	F43200	F43200

ACCESSORIES

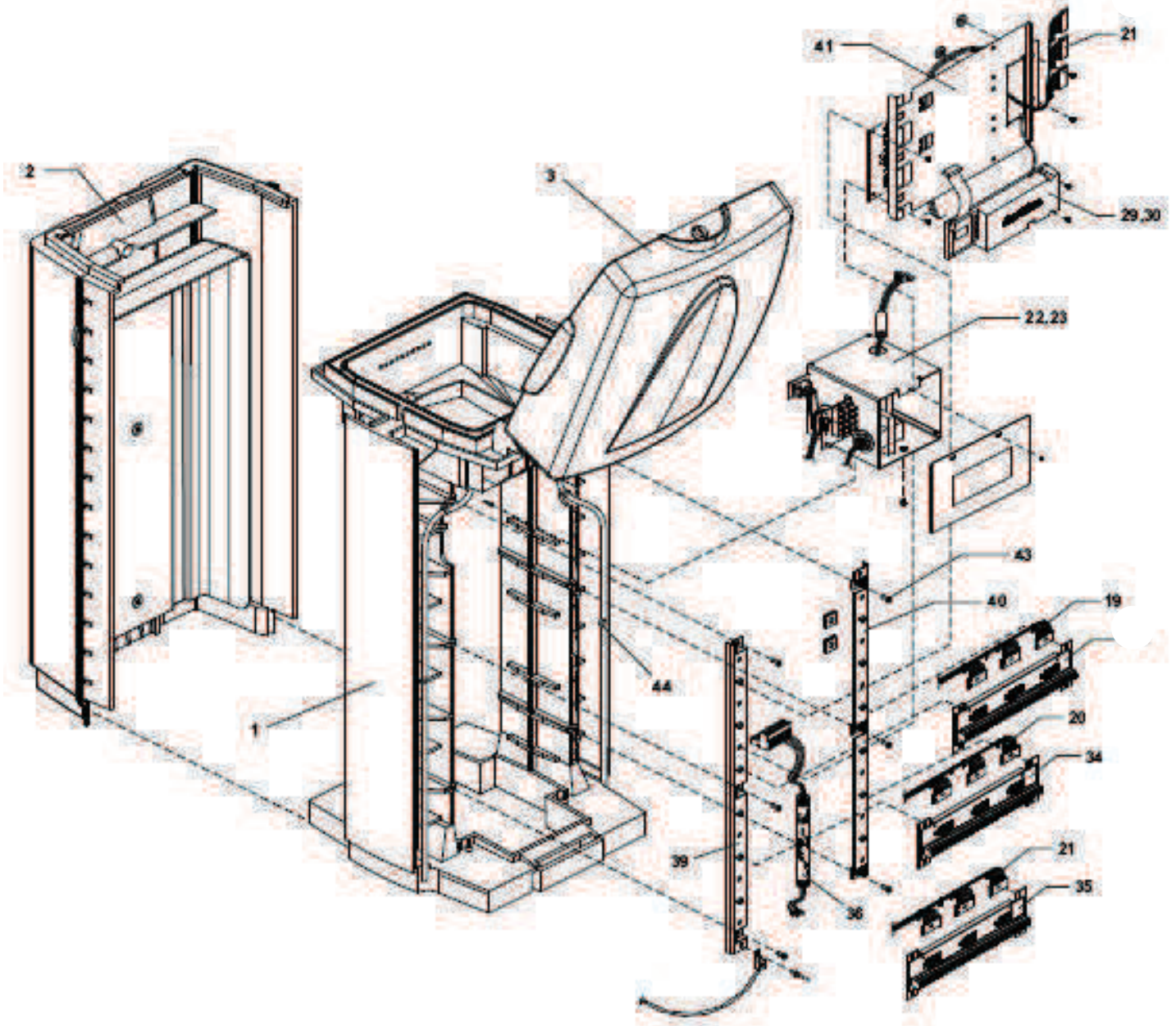
ESP-LXD Controller Literature Envelope, English	D39892	D39892	D39892	D39892
ESP-LXD Controller Literature Envelope, Spanish	D39893	D39893	D39893	D39893
ESP-LXD Controller Literature Envelope, French	D39894	D39894	D39894	D39894
ESP-LXD Controller Literature Envelope, German	D39895	D39895	D39895	D39895
ESP-LXD Controller Literature Envelope, Portuguese	D39896	D39896	D39896	D39896
ESP-LXD Controller Literature Envelope, Italian	D39897	D39897	D39897	D39897

Note: Part numbers enclosed in brackets () are not available individually, but may be sold in assemblies or kits.

CONTROLLER ASSEMBLY WITH PEDESTAL (PAR+ES)



Note: Part numbers enclosed in brackets () are not available individually, but may be sold in assemblies or kits.

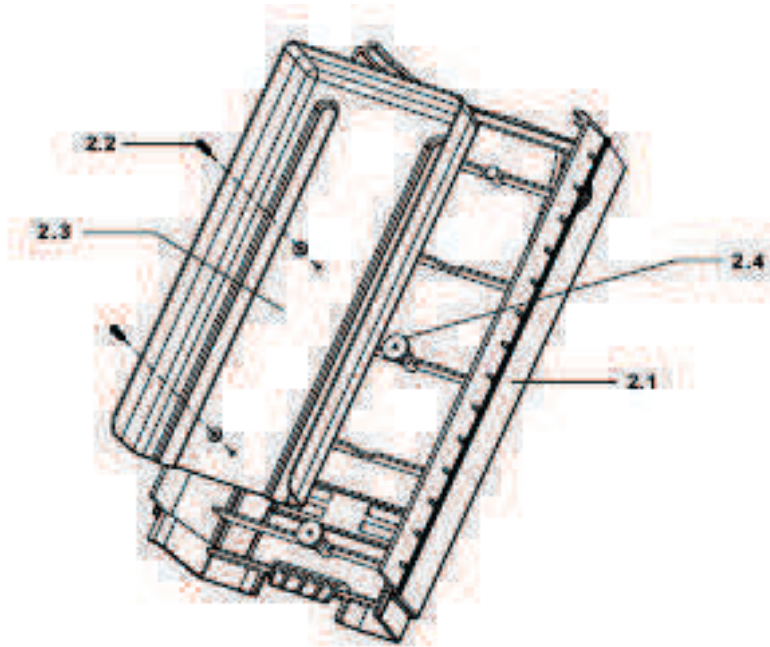


Note: Part numbers enclosed in brackets () are not available individually, but may be sold in assemblies or kits.

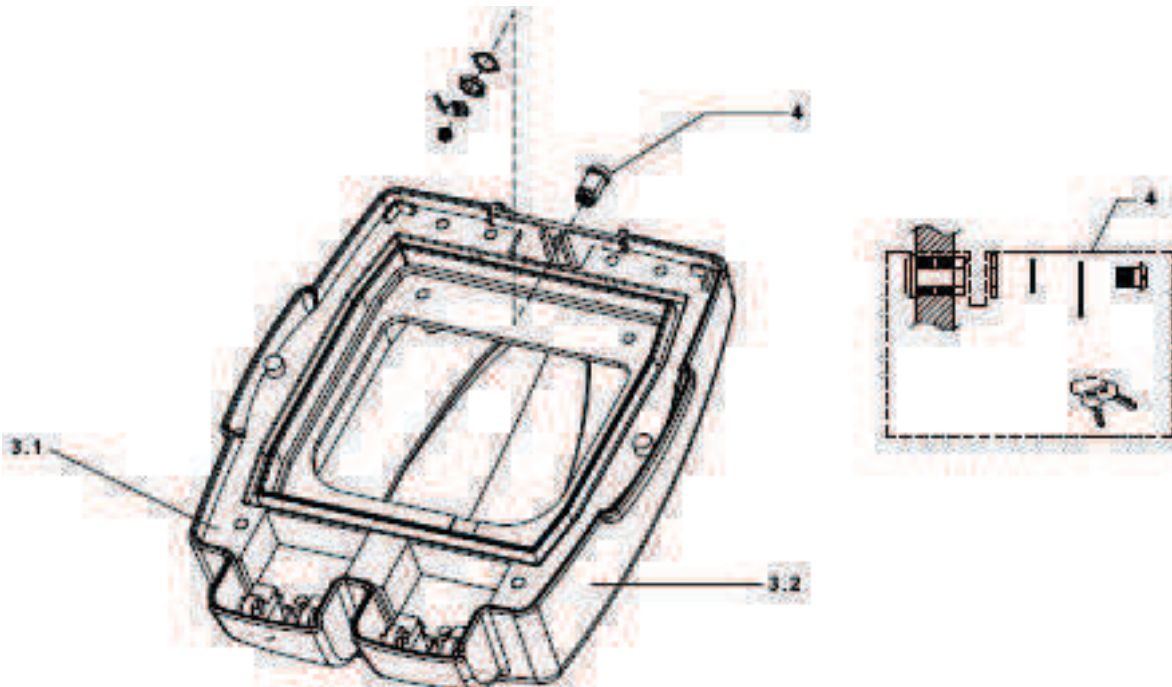
CONTROLLER ASSEMBLY WITH PEDESTAL (PAR+ES)

Ref.	Part Description	Qty.	PAR+ES
1	PLASTIC PEDESTAL SUB-ASSY, RP GRAY	1	H44011
2	Door RP Sub-Assy RP	2	(636719-02)
3	LID RP Sub-Assy	1	(636718-02)
4	Lock, Notched Cam	1	636709
5	Plate, Lock, SST	1	(636743)
6	Bracket, Hinge, SST. Left	1	(635470-01)
7	Bracket, Hinge, SST. Right	1	(635470-02)
8	PEDESTAL MOUNTING KIT	1	635780
9	Bag, Poly 6 X 8	1	(601846)
10	Bag, Poly 15 X 24	1	(632308-01)
11	Mounting Template	1	(635233)
12	Anchor Bolt	4	(635258-02)
13	Label, Bolt. PPED, Template	1	(635824)
14	Washer 5/16 Lock-Spring	4	(650029-07)
15	Nut, Hex 5/16	8	(650033-07)
16	Washer Flat 5/16 Type B	4	(652181)
17	MANUAL, INSTALLATION PAR+ES	1	635778
18	MANUAL, OPERATION PAR+ES	1	635777
19	HARNESS ASSY TERMINAL BOARD STA 1-24	1	H60331
20	HARNESS ASSY TERMINAL BOARD STA 25-48	1	H60341
21	HARNESS ASSY TERMINAL BOARD STA 49-72	1	H60351
22	POWER SUPPLY SUBASSY, PAR+/MSC+	1	635224-01
23	POWER SUPPLY SUBASSY, PAR+/MSC+ LINK	1	635224-02
24	Label, Instruction PART+ES	1	(635704)
25	CONTROL MODULE ASSY, PAR+	1	635711-02
26	MAXI I/F MODULE, TWO WIRE		H44500
27	MAXI I/F MODULE, LINK		H44550
28	INTERCONNECT/PWR SUP SUB-ASSY	1	633226-03
29	ASSY, OSM PAR/MSC+	2 - 9	HA0100
30	ASSY, OSM PAR/MSC+ /W SW	2 - 9	HA0200
31	Plate, OSM Sub-Assy	1	(635225-02)
32	Bezel Plastic Sub-Assy	1	(635229)
33	BRACKET-BOARD ASSY, STA 1-24	1	H60311
34	BRACKET-BOARD ASSY, STA 25-48	1	H60321
35	BRACKET-BOARD ASSY, STA 49-72	1	H60361
36	TWO-WIRE PIPE SUB-ASSY	1	D02110
37	ANTENNA PANEL ASSY	1	H41006
38	ANTENNA 450-470MHz	1	H60140
39	Rail Mounting Left Steel	1	(635540)
40	Rail Mounting Right Steel	1	(635541)
41	PAR+ES UPGRADE KIT	1	HP5050
42	Screw #10-16PN HD	4	(652188-20)
43	Screw, Phillips PNH	14	(652188-48)
44	Twist Lock	2	(651567)
45	Tube, Rubber 5/8"	2	(636647-01)
46	Terminal Block Two-Wire	1	(651501)
47	DIB BRACKET ASSY	1	(635867)
48	DECODER INTERFACE BOARD (DIB)	1	636104

Note: Part numbers enclosed in brackets () are not available individually, but may be sold in assemblies or kits.



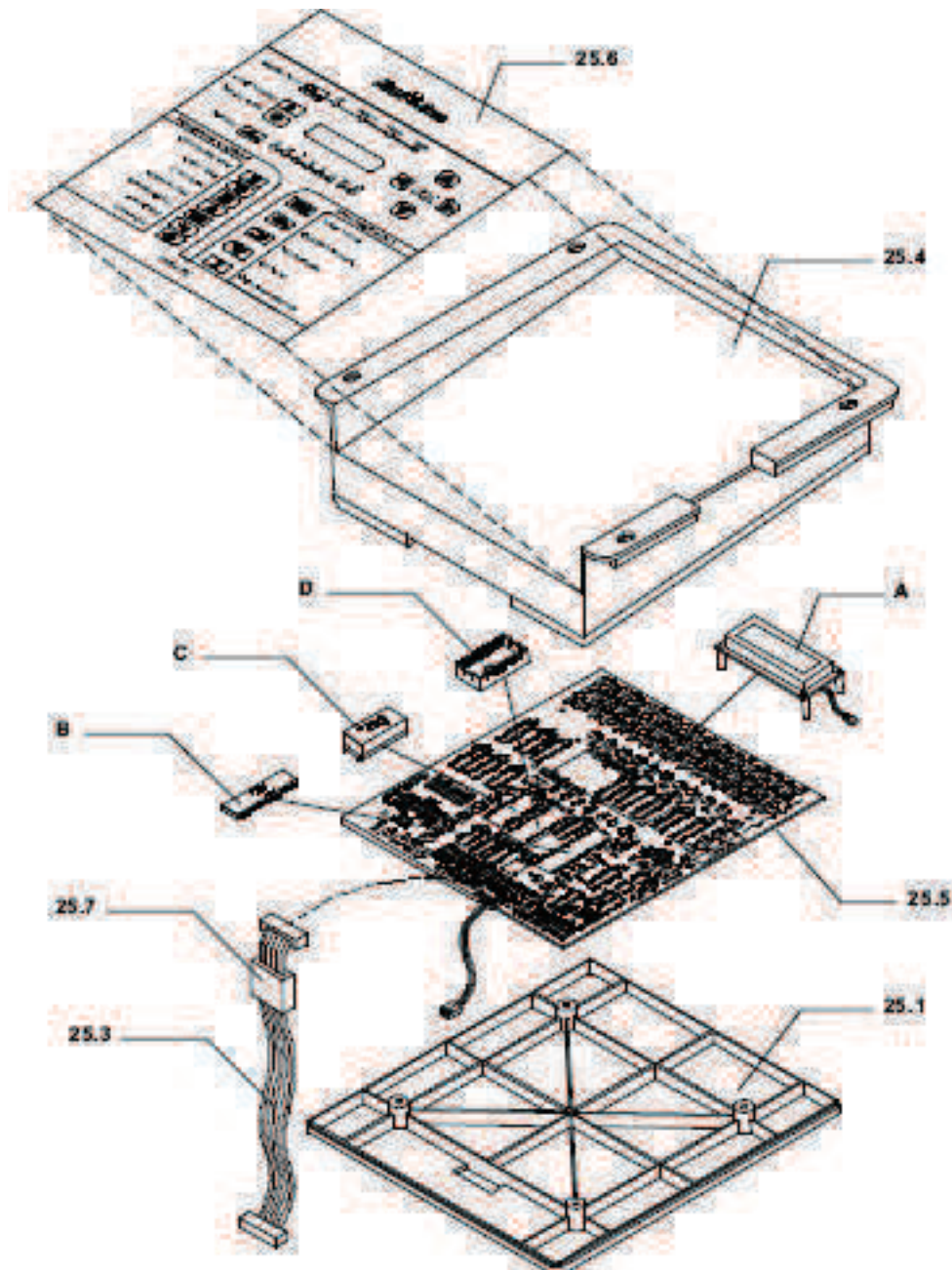
Ref.	Part Description	Qty.	PAR+ES
2	DOOR RP SUB-ASSY RP		636719
2.1	Door, Plastic Pedestal	1	(636719-02)
2.2	Screw	2	(652281-010)
2.3	Inner Door Shield		(636939-010)
2.4	Inner Door Spacer		(636940-010)



Ref.	Part Description	Qty.	PAR+ES
3	LID RP SUB-ASSY		
3.1	Lid, Inner, Plastic Pedestal	1	(636717-02)
3.2	Lid, Outer, Plastic Pedestal	1	(636718-02)
4	Lock, Notched Cam	1	(636709)

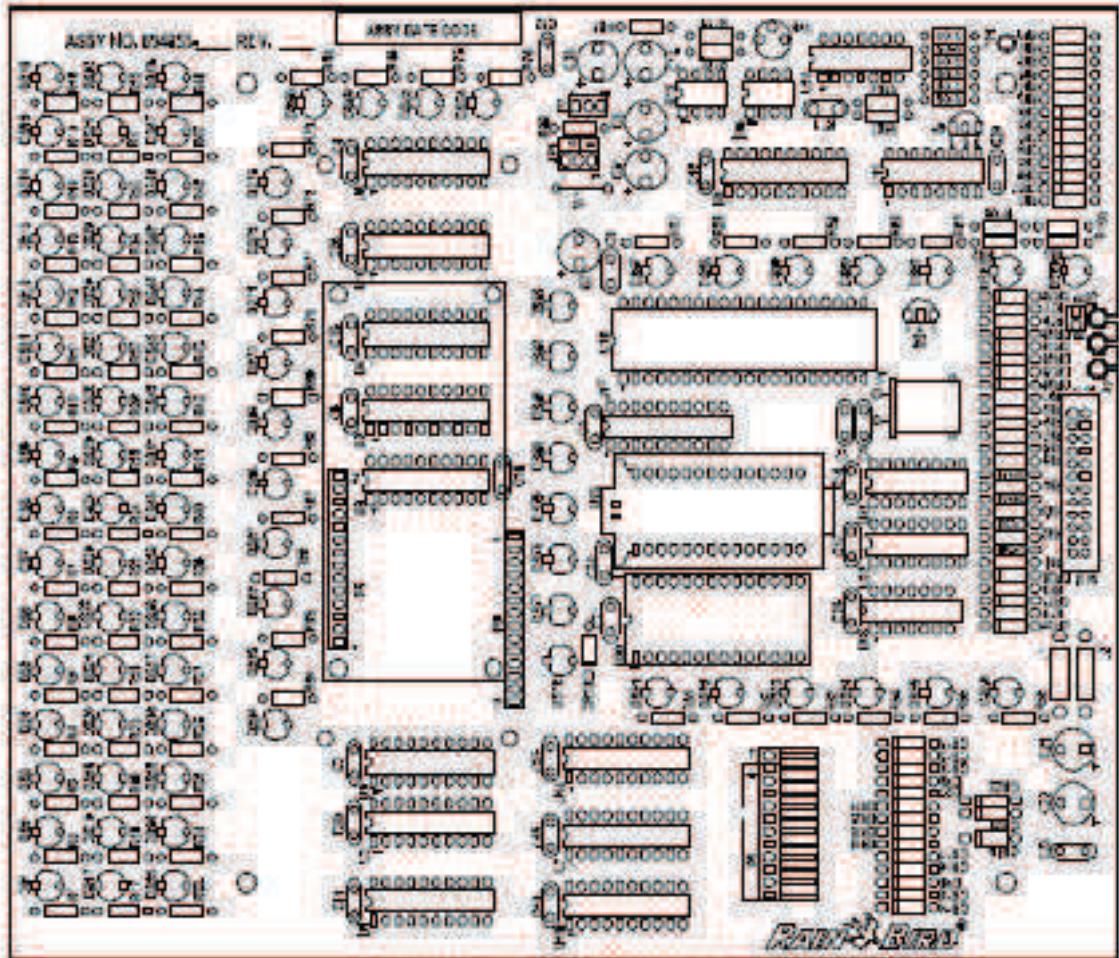
Note: Part numbers enclosed in brackets () are not available individually, but may be sold in assemblies or kits.

CONTROLLER ASSEMBLY WITH PEDESTAL (PAR+ES)



Ref.	Part Description	Qty.	PAR+ES
25	CONTROL MODULE ASSY, PAR+ES		635711-01
25.1	Assy, Cont. Mod cover PAR+/MSC+	1	(634888-03)
25.2	Screw 7-19X1/2 Hilo RC-7	4	(622922)
25.3	Harness Assy, Cable-PAR/MSC+	1	633176
25.4	Panel, Front-PAR/MSC+	1	(633201)
25.5	PAR+ES PWB Assy Main Logic Board	1	(634955-05)
A	LCD Backlight Assy PAR+/PAR+ES	1	635308
B	IC, Microcontroller, 80C32	1	651031
C	IC, Clock and 64K Ram, DS1243Y	1	650718
D	Socket IC Carrier 2 28PIN	1	650622-10
25.6	Overlay, Membrane Switch, PAR+ES	1	635706
25.7	Ferrite, Flat Cable Snap-It	1	(651612)

Note: Part numbers enclosed in brackets () are not available individually, but may be sold in assemblies or kits.



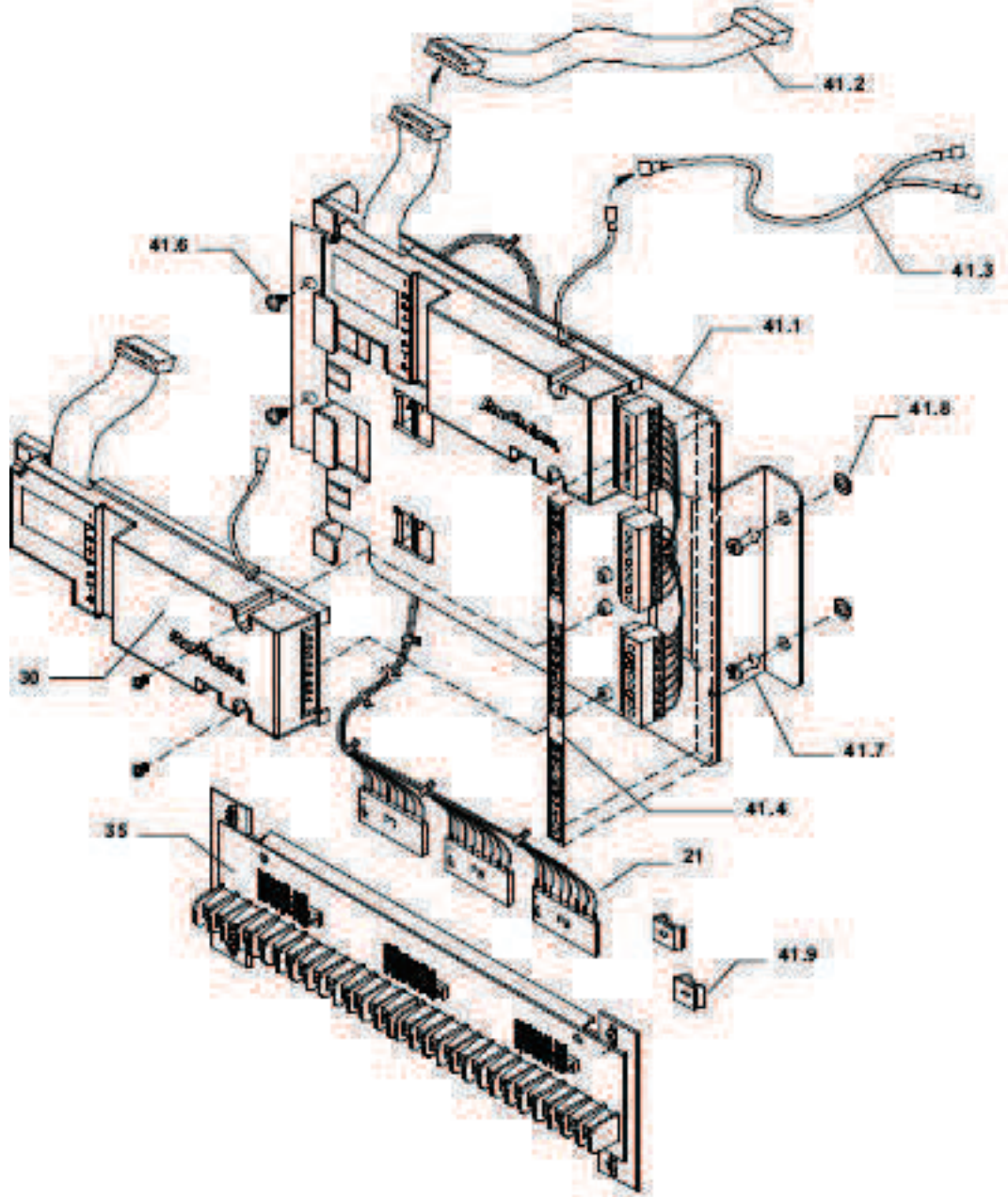
Ref.	Part Description	Qty.	PAR+ES
25.5	MAIN LOGIC PWB ASSEMBLY PAR+ES		634955-05
P3	Harness Assy Plug F/P Light	1	(635152)
(P5)	LCD Backlight Assy, PAR+	1	635308
U23	S/W M/Assy, M/L BRD V10	1	(635708)
C1, C2	Capacitor CER Disc, 50V (MIN) 1PFT08200	2	(650012-15)
C25-29, 12, 29, 23, 24	Capacitor CER 0.1MF 50V	14	650013-45
CR7-13	Diode IN4148	7	650037-01
CR14-38, CR1-6	Diode Zener 1N5231B 5.1V	31	(650038-70)
R92	Resistor 1/4W 10% 4.7 OHM	1	(650079-17)
R108	Resistor 1/4W 10% 100 OHM	1	650079-49
R109	Resistor 1/4W 10% 220 OHM	1	(650079-57)
R93-98, R78-84, R86-91	Resistor 1/4W 10% 330 OHM	19	(650079-61)
R64-75	Resistor 1/4W 10% 560 OHM	12	(650079-67)
R77, R85	Resistor 1/4W 10% 2.7 K	2	(650079-83)
R99	Resistor 1/4W 10% 4.7 K	1	650079-89
R105	Resistor 1/4W 10% 5.6 K	1	(650079-91)
R100-104	Resistor 1/4W 10% 10 K	5	(650079-97)
R106	Resistor 1/4W 10% 22 K	1	650080-06
R107	Resistor 1/4W 10% 39 K	1	(650080-12)
R110, 111	Resistor 1/4W 10% 100 K	2	(650080-22)
Q2	Transistor, NPN 600MW PN2222	1	650084

Note: Part numbers enclosed in brackets () are not available individually, but may be sold in assemblies or kits.

CONTROLLER ASSEMBLY WITH PEDESTAL (PAR+ES)

Ref.	Part Description	Qty.	PAR+ES
L1, L2	Inductor Ferrite	2	650300-05
TP1	Terminal Test PT .067-078	1	(650336-01)
U24	IC, Quad OP AMP LM324	1	650358
Q1	Transistor PNP 625 MW	1	650369
P7	Header, 3 Position 1"	1	(650454-03)
(U23)	Socket IC Carrier 28PI	1	650518-02
P1	Header, .100CTRS, 11CKT, FL RTANG	1	(650530-01)
C7, C22	Capacitor 2.2UFD 25V Tantalum	2	650583-03
C6, 13, 30, 31	Capacitor 22UFD 25V Tantalum	4	650583-09
C21	Capacitor 47.0 UF, 25V, Tantalum	1	(650583-11)
U19	IC Micropower Monitor & WDT	1	650585
U9, 10, 14, 15, 17	IC, 3 State OCT Latch 74HC373	5	650611
U18	IC, Nand 2-IN Quad 74HCOO	1	650612
U21, 22	IC, Decoder 1-of-8 74HC238	2	650613
U20	Socket, DIP, 28POS, Ultra Low Profile	1	650622-10
W1, (Y1)	Wire, A.I.	4	(650625-03)
U11	IC. Decoder 3 to 8 Line DIP16 74HC138	1	650699
U20	IC. Clock and 64K Ram DS1243Y	1	650718
Y1	Crystal, 11.0592 MHZ	1	650721
R76	POT, 100K OHM 1/4" Single Turn	1	(650739-14)
P2	Header, Low Profile 24 POS.	1	(650872-24)
DS76, -83, 65, 67, 69, 71	LED, Clear Red Super Bright	12	650910
P5, P6	Socket, ELEV Term Strip, 14 CKTS	1	(651029-14)
U16	IC, Microcontroller, 80C32	1	651031
RT1	Thermistor, 5%, 6.8K, 3980	1	(651149-06)
U2	IC, Converter DC/DC Volt (LT 1026)	1	(651455)

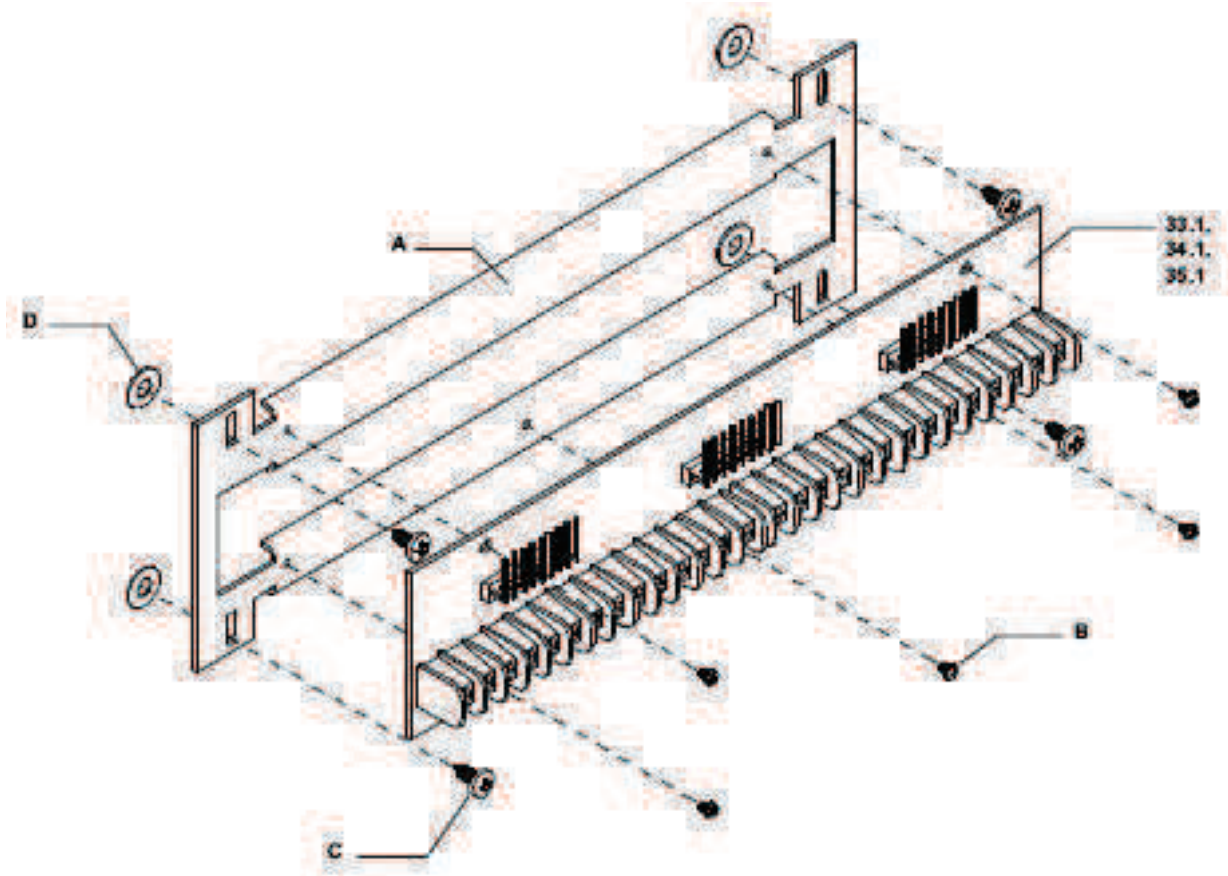
Note: Part numbers enclosed in brackets () are not available individually, but may be sold in assemblies or kits.



Ref.	Part Description	Qty.	PAR+ES
41	PAR+ES UPGRADE KIT		HP5050
41.1	Bracket, Mounting Steel, 72 STA	1	(635542)
41.2	Cable Harness Assy	1	635569
41.3	Cable Assembly, Y	1	635599
41.4	Label, ST I.D., 72 STA	1	(635638)
41.5	Cable Tie, Nylon 7/8 Bundle	2	650131
41.6	Screw, Pan HD, #10 X 1/4"	2	(650754-57)
41.7	Stud Phillips, Oval Steel	2	(651511)
41.8	Retainer, Black Nylon	2	(651512)
41.9	Receptacle, 1/4 Turn Steel	2	(651597)
21	HARNES ASSY TERMINAL BRD STA 49-72	1	H60351
35	BRACKET-BOARD ASSY STA 49-72	1	H60361

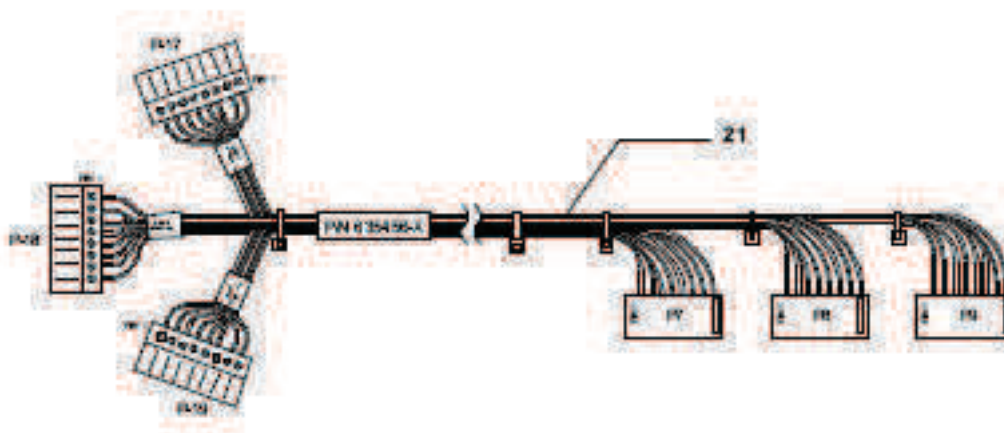
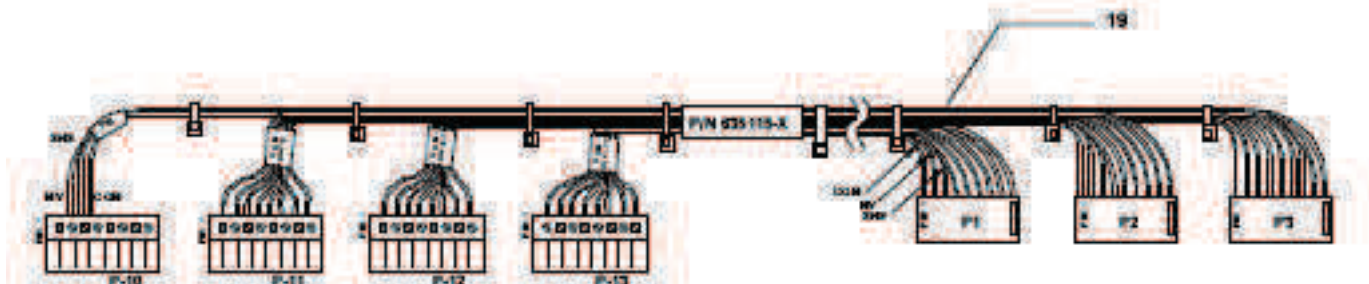
Note: Part numbers enclosed in brackets () are not available individually, but may be sold in assemblies or kits.

CONTROLLER ASSEMBLY WITH PEDESTAL (PAR+ES)



Ref.	Part Description	Qty.	PAR+ES
33	TERMINAL BOARD ASSEMBLY STA 1-24		H60311
33.1	PWB Assy PAR+ Term BRD 1-24	1	(635121)
A	Plate, Terminal Strip, STE	1	(635217)
B	Screw 6-32 X 3/8	5	(650105-28)
C	Screw, Captive Panel PAN	4	(651517-06)
D	Washer, Panel Screw Retainer	4	(651518-06)
34	TERMINAL BOARD ASSEMBLY STA 25-48		H60321
34.1	PWB Assy PAR+ Term BRD 25-48	1	(635124)
A	Plate, Terminal Strip, STE	1	(635217)
B	Screw 6-32 X 3/8	5	(650105-28)
C	Screw, Captive Panel PAN	4	(651517-06)
D	Washer, Panel Screw Retainer	4	(651518-06)
35	TERMINAL BOARD ASSEMBLY STA 49-72		H60361
35.1	PWB Assy PAR+ Term Brd 49-72	1	(635560)
A	Plate, Terminal Strip, STE	1	(635217)
B	Screw 6-32 X 3/8	5	(650105-28)
C	Screw, Captive Panel PAN	4	(651517-06)
D	Washer, Panel Screw Retainer	4	(651518-06)

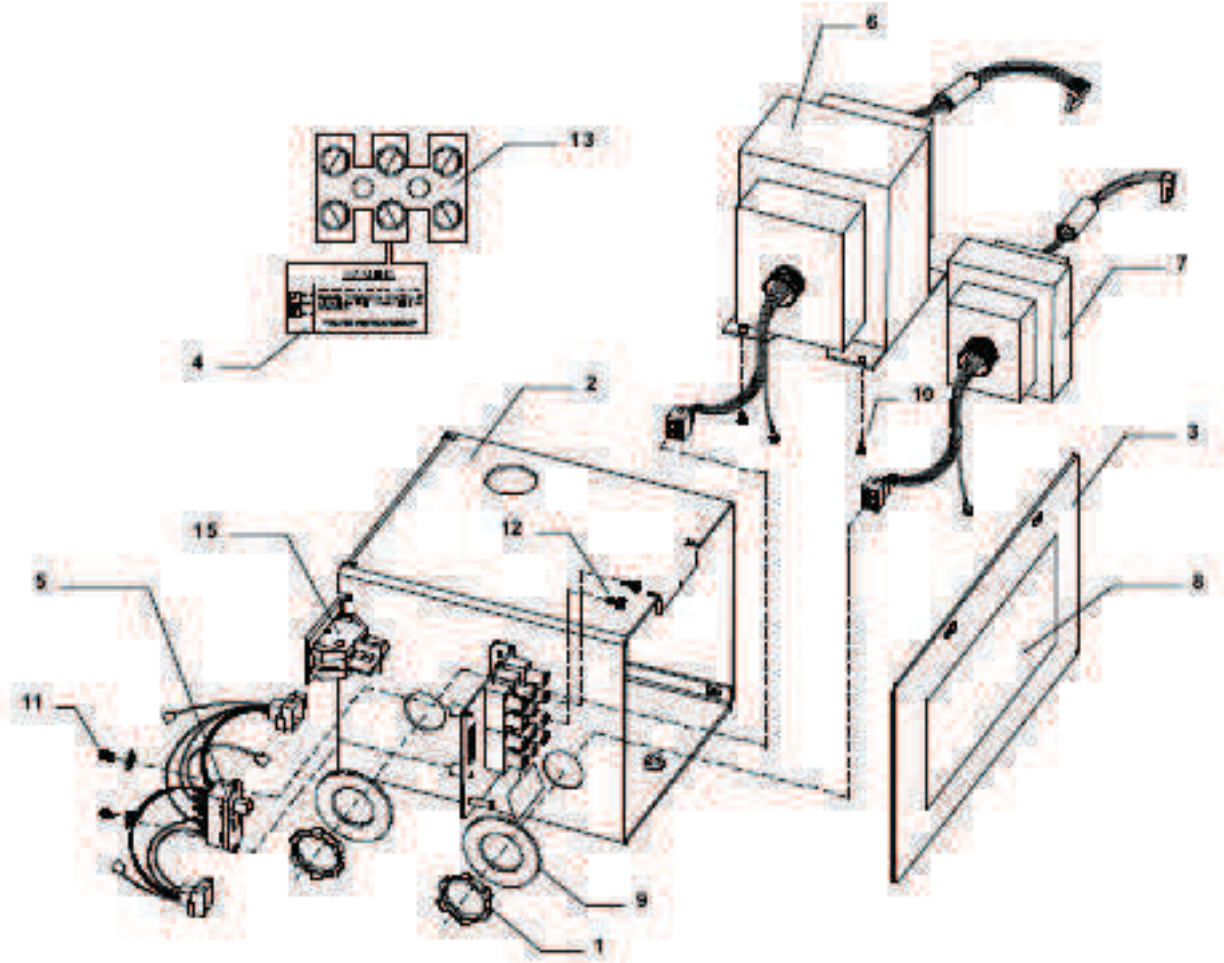
Note: Part numbers enclosed in brackets () are not available individually, but may be sold in assemblies or kits.



Ref.	Part Description	Qty.	PAR+ES
19	HARNESS ASSY TERMINAL BOARD STA 1-24	1	H60331
20	HARNESS ASSY TERMINAL BOARD STA 25-48	1	H60341
21	HARNESS ASSY TERMINAL BOARD STA 49-72	1	H60351

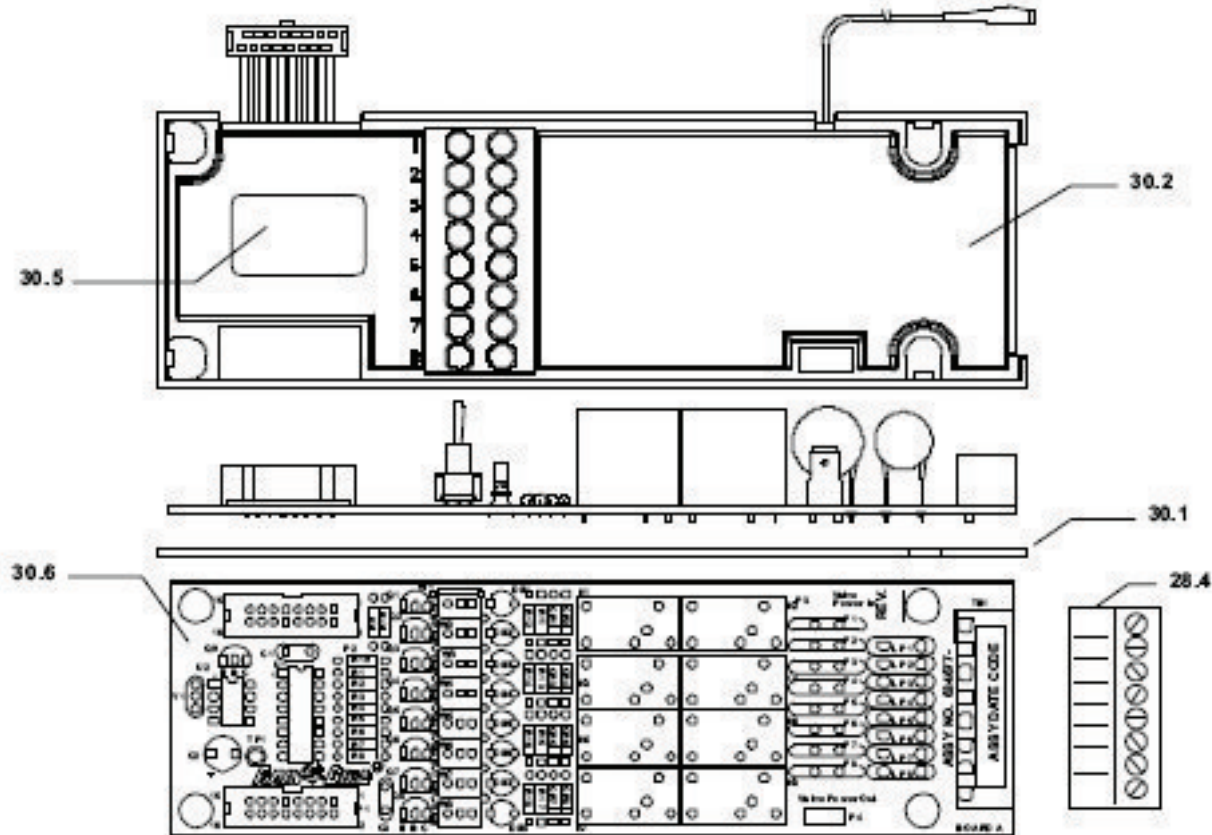
Note: Part numbers enclosed in brackets () are not available individually, but may be sold in assemblies or kits.

CONTROLLER ASSEMBLY WITH PEDESTAL (PAR+ES)



Ref.	Part Description	Qty.	PAR+ES	PAR+ES (LINK)
22	POWER SUPPLY PAR+/MSC+		635224-01	
23	POWER SUPPLY PAR+/MSC+ LINK			635224-02
1	Locknut Conduit	1(2)	(628013)	(628013)
2	Box, XFMR, Steel	1	(635113)	(635113)
3	Cover, XFMR Steel	1	(635114)	(635114)
4	Label, PWR Supp.	1	(635154)	(635154)
5	Switch, Voltage Selector	1	(633204)	(635204)
6	TRANSFORMER CONNECTOR ASSY	1	633252	633252
7	TRANSFORMER CONNECTOR ASSY LINK	0(1)	633254	
8	Label, Cover Steel XFMR	1	(635226)	(635226)
9	Washer, Flat 7/8".090	1(2)	(650023-43)	(650023-43)
10	Screw, SCFTPG, PNH, #8-18.375L	4	(650104-41)	(650104-41)
11	Screw 4-40 3/8L PN HD	2	(650105-15)	(650105-15)
12	Screw 8-32	2	(650105-48)	(650105-48)
13	Terminal Block Double Row	1	(651495-03)	(651495-03)
14	Terminal Block Double Row Male	1	(651496-03)	(651496-03)
15	Switch, DPST, Rocker With	1	(651503)	(651503)

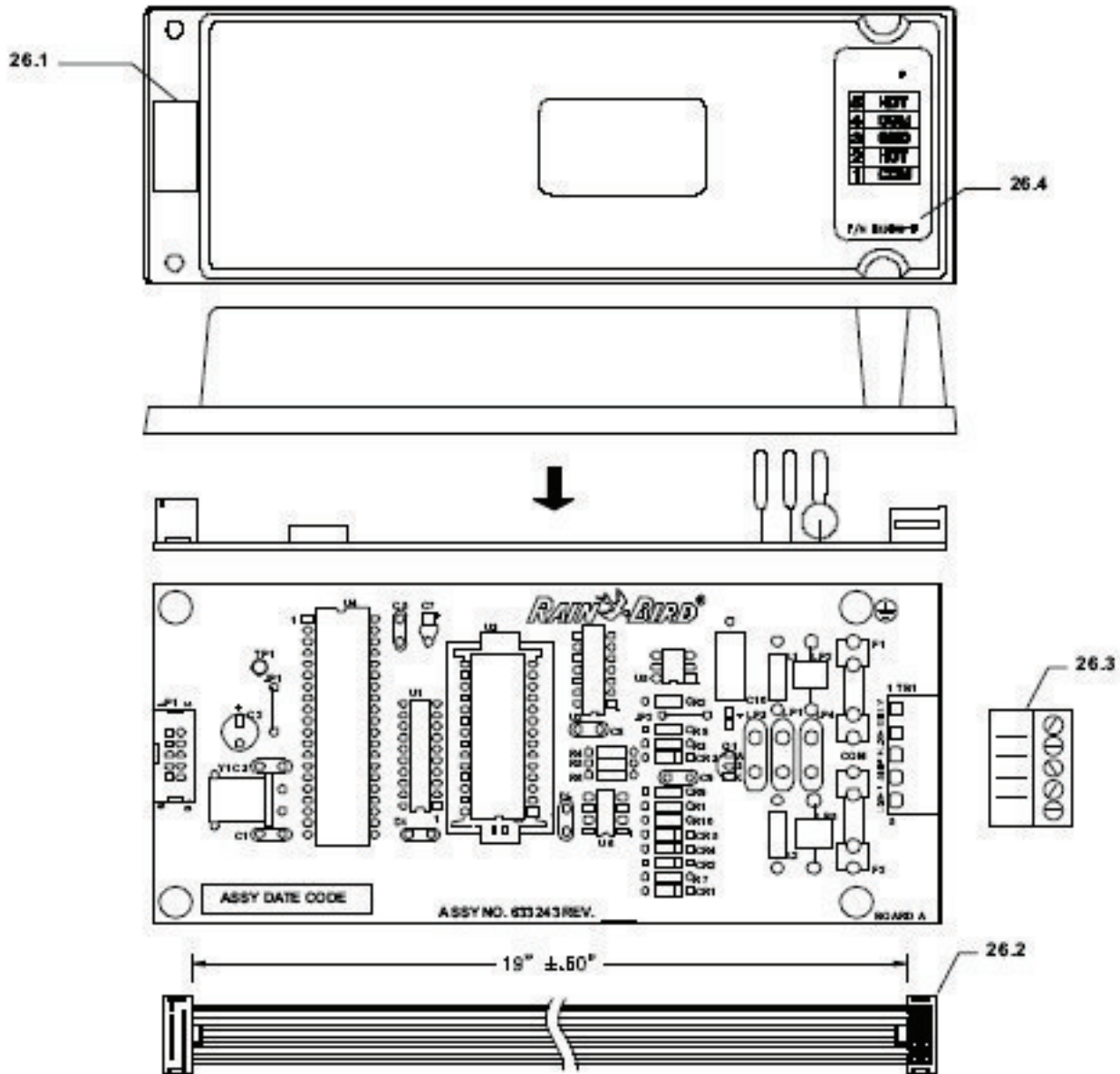
Note: Part numbers enclosed in brackets () are not available individually, but may be sold in assemblies or kits.



Ref.	Part Description	Qty.	PAR+ES
30	OUTPUT STATION MODULE /W SW		HA0200
30.1	Shield, Insul., U.L.94V0, OSM PWB	1	633852
30.2	Cover, Output Station Module	1	(634644-02)
30.3	Screw, MACH PNH #6-32	2	(650480-12)
30.4	Connector, Terminal Block	1	651034-08
30.5	Label, Switch Positon	1	(634680)
30.6	PWB Assy Output ST MOD (OSM)	1	(634677-01)
P2	Ribbon Cable Assy PAR/MSC+	1	633245
P3	Cable, Value Power-PAR/MSC+	1	633247
U2	SW Assy, OSM V01	1	634672
C1, C3	Capacitor Ceramic Disc 0.1MF 50V	2	650013-45
CR-1-CR8	Diode IN4148	8	650037-01
R11-R18	Resistor 1/4W 10% 2.2K	8	(650079-81)
R19	Resistor 1/4W 10% 3.3K	1	(650079-85)
R1-R8	Resistor 1/4W 10% 4.7K	8	650079-89
R10	Resistor 1.4W 10% 5.6K	1	(650079-91)
R9	Resistor 1/4W 10% 22K	1	650080-06
Q1-Q8	Transistor, NPN 600MW PN2222	8	650084
P4	Terminal Q.Disk Male	1	650138
TP1	Terminal Test PT .067-078	1	(650336-01)
Q9	Transistor PNP 625 MW	1	650369
C2	Capacitor Tantalum 22UF 25V	1	650583-09
SW1-SW8	Sub-Miniature Toggle SWI	8	651414
K1-K8	Relay, SPDT, Small 5A 9V	8	650725-03
P1	Header .100 CTR 16 CKT	1	650872-16
U1	IC 8 BIT Latch ADDR 74HC259 8 BIT	1	650889
TB1	Socket, Horizontal 8 CRKT	1	(650900-08)
DS1-DS8	LED, Clear Red Super Bright	8	650910
F1-F8	Fuse, Self Resetting, 1.85AMPS	8	651124-05
Y1	Resonator, Ceramic 10MHZ	1	651445
LP1-LP8	MOV, 47 V, 1000A	8	651467

Note: Part numbers enclosed in brackets () are not available individually, but may be sold in assemblies or kits.

CONTROLLER ASSEMBLY WITH PEDESTAL (PAR+ES)



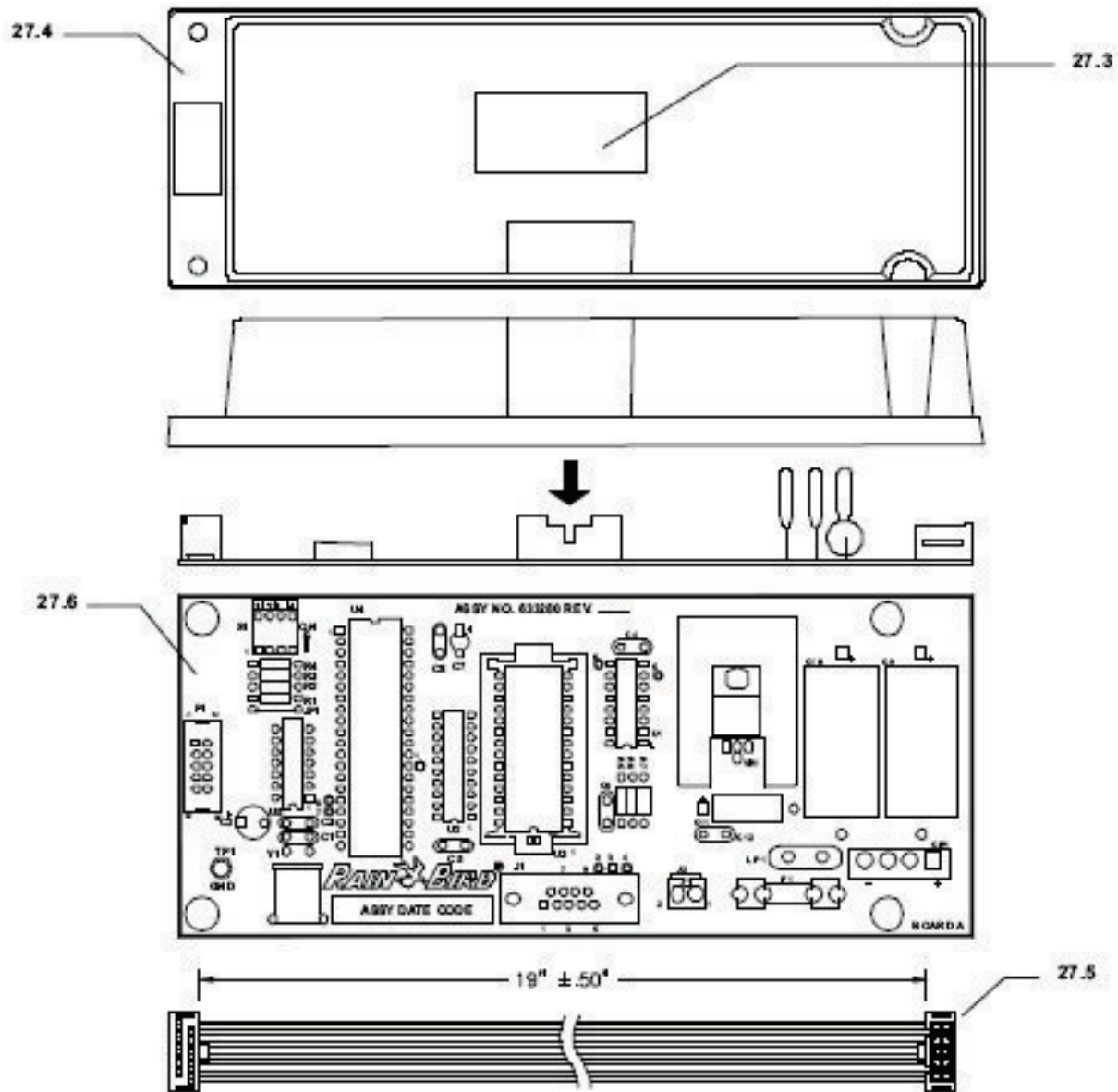
Ref.	Part Description	Qty.	PAR+ES
26	MAXI I/F MODULE, 2 - WIRE		H44500
26.1	Cover, MAXI I/F Module	1	633207
26.2	Cable, Harness Assy	1	634875
26.3	Connector, Terminal Block	1	(651034-05)
26.4	Label, MAXI 2-Wire-Par/MS+	1	(633668)
26.5	Screw, #4-40 X 1/4" PH	4	(650480-01)
26.6	PWB Assy 2 Wire Interface Board	1	633243
LP2, PP5	Protector, Surge, Spark Gap	2	624625
U3	S/W, MS+/PAR+ 2W IFB V03	1	(633294)
C1, C3	Capacitor CER Disc, 50V(MIN) 1PFT08200	2	(650012-15)
C4, 5, 6, 7, 8	Capacitor CER 0.1MF 50V	4	650013-45
LP1, LP3, LP4	MOV 68Volts 500AMPS	3	650016
CR1, CR5	Diode Zener 1N5237 8.2V	2	650038-12
C9	Capacitor 001UF 100V	1	(650040-57)
C10	Capacitor Elect AX 50V 47MF	1	(650046-13)
U5	IC MOC3011	1	650070-01
CR2, 3, 4	Diode 1N4002	3	650077-02

Note: Part numbers enclosed in brackets () are not available individually, but may be sold in assemblies or kits.

Ref.	Part Description	Qty.	PAR+ES
R2	Resistor 1/4W 10% 270 OHM	1	(650079-59)
R1, 9	Resistor 1/4W 10% 1.0K	2	(650079-73)
R3	Resistor 1/4W 10% 2.0K	1	(650079-80)
R8	Resistor 1/4W 10% 4.7K	1	650079-89
R4, 5, 7, 10	Resistor 1/4W 10% 47K	4	(650080-14)
R6	Resistor 1/4W 10% 100K	1	(650080-22)
JP1, JP2, (Y1)	Wire, 22AWG, A.I. .450 LD SP	2	(650625-03)
L1, L2	Inductor Ferrite	2	650300-05
(F1, F2)	Clip Fuse .197DIA PCB MNT	4	(650308)
TP1	Terminal Test PT .067-078	1	(650336-01)
Q1	Rectifier 2N5062 Silicon	1	650375
U6	IC, OPTO-Coupler HCPL-2731	1	650445
(U3)	Socket IC Carrier 28PI	1	650518-02
U2	IC, Inverter 74HC14	1	650540
C7	Capacitor 2.2UFD 25V Tantalum	1	650583-03
C2	Capacitor 22UFD 25V Tantalum	1	650583-09
U1	IC, 74HC373 3 State OCT Latch	1	650611
Y1	Crystal, 11.0592 MHZ	1	650721
P1	Header .100CTR, 10CKT, LO Profil	1	(650872-10)
TB1	Socket, HOrizontal 5 CRKT.	1	650900-05
F1, F2	Fuse, 5X20MM, Slow Blow 4 AMPS	2	(650966-16)
U4	IC, Microcontroller, 80C32	1	651031

Note: Part numbers enclosed in brackets () are not available individually, but may be sold in assemblies or kits.

CONTROLLER ASSEMBLY WITH PEDESTAL (PAR+ES)



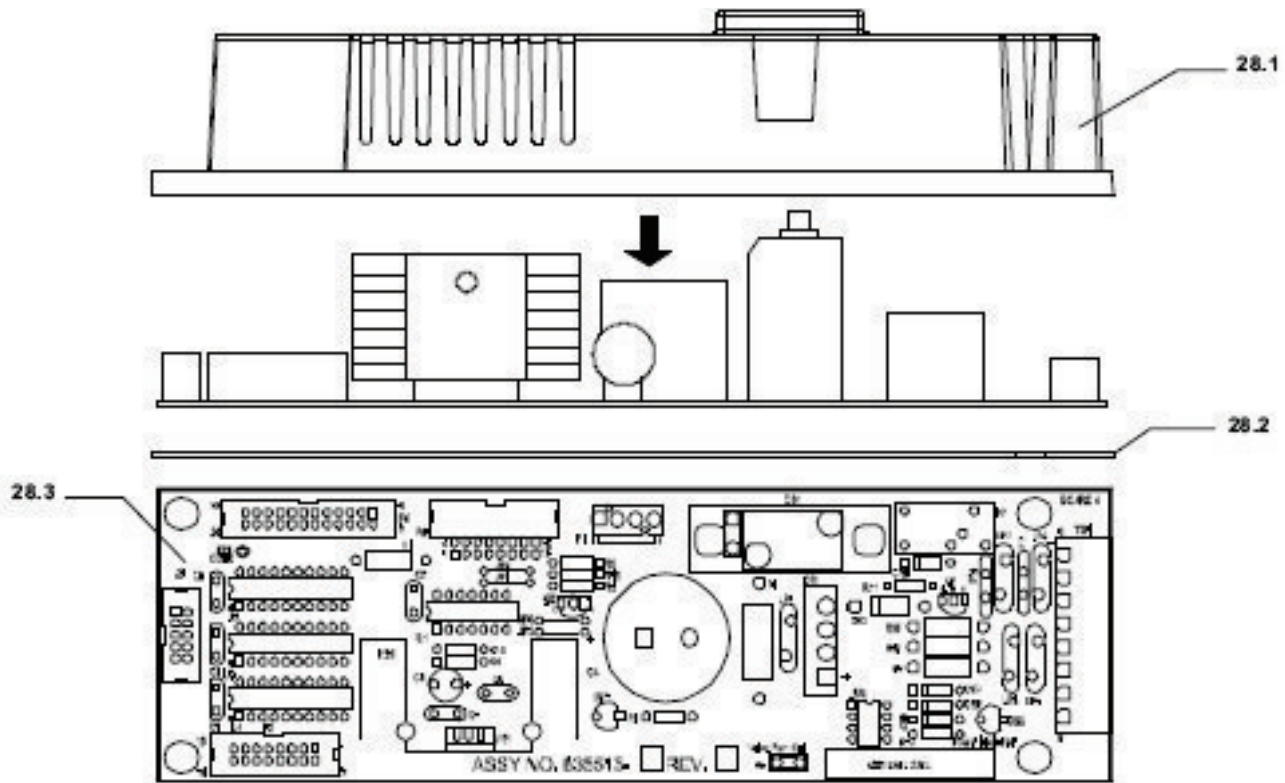
Ref.	Part Description	Qty.	PAR+ES
27	MAXI I/F MODULE, LINK		H44550
27.1	Link Interface Module	1	(634935)
27.2	Screw, #4-40 X 1.4" PH	4	(650480-01)
27.3	Label, Link Conver, Field Instal	1	(633034)
27.4	Cover, Modified, INTFC PWB, +Link	1	633231
27.5	Cable Harness Assy	1	634875
27.6	PWB AssyLink INTFC BRD-PAR/MSC	1	633280
	S1	1	631012-04
	U3	1	633293-02
	C1, 3	2	(650012-15)
	C4, 5, 6, 8, 12	5	650013-45
	LP1	1	650015
	C11	1	(650045-08)
	R5, 6, 7	3	650079-89
	R1, 2, 3, 4	4	(650080-14)

Note: Part numbers enclosed in brackets () are not available individually, but may be sold in assemblies or kits.

Ref.	Part Description	Qty.	PAR+ES
(VR1)	Rivet Blind 1/8 X .328	1	(650139-05)
F1	Fuse 5 X 20MM 2AMPS	1	(650307-03)
(F1)	Clip Fuse .197DIA PCB MNT	2	(650308)
(VR1)	Heatsink TO-220 HP	1	(650335)
(U4)	Socket IC Carrier 28PI	1	650518-02
U1	IC, Inverter 74HC14	1	650540
CR1	Bridge Rectifier, 200V 4AMP SIP	1	650581-03
C7	Capacitor 2.2UFD 25V Tantalum	1	650583-03
C2	Capacitor 22UFD 25V Tantalum	1	650583-09
J1	Connector	1	(650610-05)
U2	IC, 74HC373 3 State OCT Latch	1	650611
(J1)	Jack Socket Kit	1	(650620)
JP1	Wire, A.I.	1	(650625-03)
Y1	Crystal, 11.0592MHZ	1	650721
U1	IC, 74LS367	1	650776
P1	Header .100CTR, 10CKT, LO Profil	1	(650872-10)
J2	Header, St. SQ. PIN 2 POS.	1	(650893-02)
VR1	Voltage Regulator 8V, 7808	1	650939
C9, 10	Capacitor Elect Axial 25V 3300MF	2	(650954)
U4	IC, Microcontroller, 80C32	1	651031

Note: Part numbers enclosed in brackets () are not available individually, but may be sold in assemblies or kits.

CONTROLLER ASSEMBLY WITH PEDESTAL (PAR+ES)



Note: Part numbers enclosed in brackets () are not available individually, but may be sold in assemblies or kits.

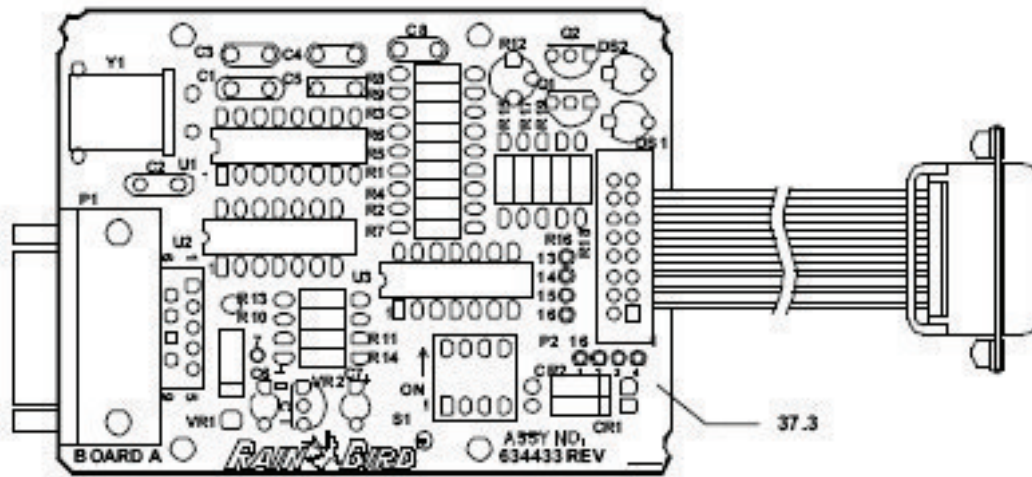
Ref.	Part Description	Qty.	PAR+ES
28	INTERCONNECT/PWR SUP SUB-ASSY PAR+ES		633226-03
28.1	Cover, Intcon PWB-PAR/MSC+	1	633208
28.2	Shield, Insul, U.L.94-V0, P/I-PWB	1	633851
28.3	PWB Power Interface Assy	1	(635513-01)
	C1, 2, 5, 7, 8 Capacitor CER 0.1MF 50V	6	650013-45
	LP1 MOV 33Volts 500AMPS	1	650015
	(VR1) Washer, Flat #5 .010	1	(650023-03)
	CR3, 6, 7, 8 Diode IN4148	4	650037-01
	R1 Resistor 1/4W 10% 560 OHM	1	(650079-67)
	R11, 12 Resistor 1/4W 10% 4.7K	2	650079-89
	R4, 14, 15 Resistor 1/4W 10% 5.6K	4	(650079-91)
	Q1 Transistor, NPN 600MW PN2222	1	650084
	R3 Resistor, 10K-5%, 1/4W, C Film	1	(650135-97)
	P5 Terminal Q.Disk Male	1	650138
	(VR1) Rivet Blind 1/8 X .328	1	(650139-05)
	R2, 10, 13 Resistor 1.2W 10% 2K	3	(650202-80)
	U2 IC OPTO-Coupler MCT6	1	650253
	L1 Inductor Ferrite	1	650300-05
	Q2 Transistor PNP 625 MW	1	650369
	U1 IC, Inverter 74HC14	1	650540
	CR1 Bridge Rectifier, 50V 4AMP SIP	1	650581-01
	C2 Capacitor 22UF 25V Tantalum	1	650583-09
	CR2 Transient Suppressor 18V	1	650595-22
	U4 IC, 3 State OCT Latch, 74HC373	2	650611
	J1, 2, 3, 4 Wire, A.I.	4	(650625-03)
	K1 Relay, SPDT, Small 5A 9V	1	650725-03
	VR1 IC LM2940-5.0	1	650733
	P3 Header .100CTR, 10CKT, LO Profil	1	(650872-10)
	P2 Header .100 CTR 16 CKT	1	650872-16
	P4 Header, Low Profile 24 POS.	1	(650872-24)
	LP2, 3, 4, 5 Mov, 47 Volts 1000 AMPS	4	650875
	P1 Header, St. SQ PIN 4 POS.	1	(650893-04)
	TB1 Socket, Horizontal 8 CRKT	1	(650900-08)
	F1 Fuse, Slow Blow, 250V, 2.50A, 2AG	1	(650905-10)
	DS1, DS2 Led, Clear Red Super Bright	2	650910
	C4 Capacitor, Low Profile	1	(650950)
	HS1 Heatsink, Platic, High Perform	1	(651019)
	CB1 Circuit Breaker, 6.00 AMPS	1	651032-22
	P6 Header, Low Profile R Angle	1	(651050-05)
	PT1, PT2 Fuse, Self Resetting, 1.85AMPS	2	651124-05
	U5 IC Buffer 74HC244	1	(651590)



Ref.	Part Description	Qty.	PAR+ES
36	TWO WIRE PIPE SURGE PROTECTOR (MSP-1)		D05110

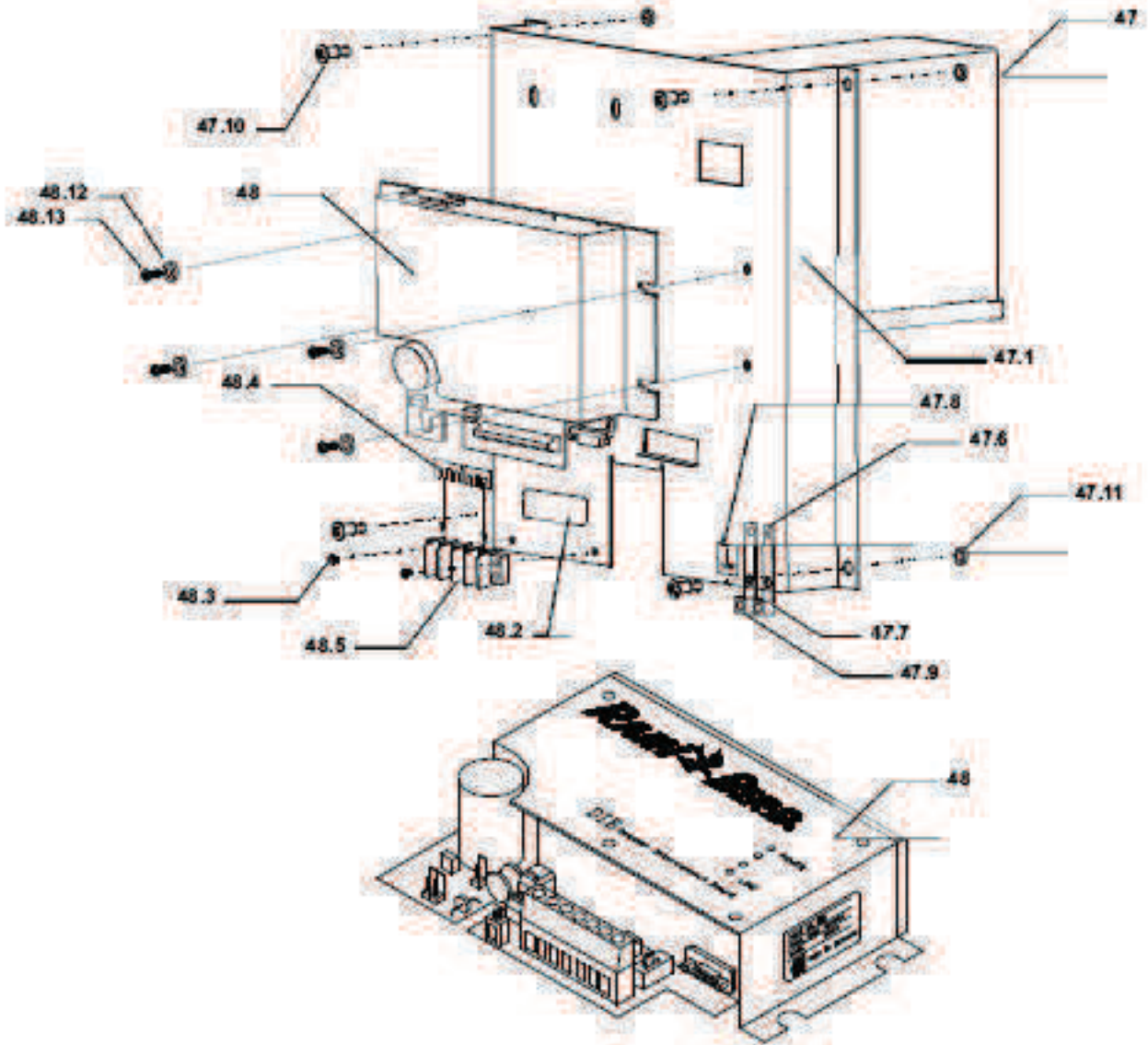
Note: Part numbers enclosed in brackets () are not available individually, but may be sold in assemblies or kits.

CONTROLLER ASSEMBLY WITH PEDESTAL (PAR+ES)



Ref.	Part Description	Qty.	PAR+ES
37.3	ASSY WIRELESS MODEM		634433
C5	Cap RAD .33MFD 50V	1	(626408)
P2	Cable Assy. Combox	1	(632367)
C1, 3	Capacitor CER Disc, 50V(MIN) 1PFTO8200	2	(650012-10)
C2, 4, 8	Capacitor CER 0.1MF 50V	3	650013-45
CR1	Diode 1N4002	1	650077-02
R15, 16	Resistor 1/4W 10% 470 OHM	2	(650079-65)
R17, 18	Resistor 1/4W 10% 4.7 K	2	650079-89
R5	Resistor 1/4W 10% 10 K	1	(650079-97)
R3	Resistor 1/4W 10% 20 K	1	(650080-05)
R1,2,7,10,11,13,14,19	Resistor 1/4W 10% 47 K	8	(650080-14)
R6	Resistor 1/4W 10% 56 K	1	(650080-16)
R4	Resistor 1/4W 10% 100 K	1	(650080-22)
(U1)	Socket, Dip, Low Profile 16 Pins	1	(650081-03)
Q1, Q2	Transistor, NPN 600MW PN2222	2	650084
U2	IC, Inverter 74HC14	1	650540
C7	Capacitor 2.2UF 25V Tantalum	1	650583-03
C6	Capacitor 22UF 25V Tantalum	1	650583-09
VR1	Transient Suppressor 18V	1	650595-22
(CR2)	Wire, A.I.	1	(650625-03)
R12	POT, 10K OHM 1/4" Single Turn	1	(650739-10)
Y1	Crystal, 3.579545 MHZ	1	(650759)
DS1, 2	Led, Clear Red Super Bright	2	650910
U3	IC Quad 2-input EX-OR	1	650937
VR2	Voltage Regulator	1	650938
P1	Connector Plug Right Angle PC	1	(651130-02)
U1	IC, M X 614 1200 BPS	1	651141

Note: Part numbers enclosed in brackets () are not available individually, but may be sold in assemblies or kits.



Ref.	Part Description	Qty.	PAR+ES(LINK)	PAR+ES(TWO WIRE)
47	DIB BRACKET ASSY	1	635867-01	
47	DIB BRACKET ASSY	1		635867-02
47.1	Plate, DIB Mount, Steel	1	(636078)	(636078)
47.2	Label, Two Wire Terminal Block	(0)1		(635228)
47.3	Screw 6-32 X 3/8	2		(650105-28)
47.4	Jumper 2 Position	2		(651516)
47.5	Terminal Block (4 Circu)	1		(651501)
47.6	Rivet Blink	4	(650422-13)	(650422-13)
47.7	Lug, Single Barrel, Coper, Two HL	1	(650892)	(650892)
47.8	Label, Ground Symbol (IEC-509)	1	(651037)	(651037)
47.9	Lug, Single Barrel, Copper Two	1	(651350-02)	(651350-02)
47.10	Stud Phillips, Oval Steel	4	(651511)	(651511)
47.11	Retainer, Black Nylon	4	(651512)	(651512)
47.12	Washer, Flat #10 .032	4	(650023-13)	(650023-13)
47.13	Screw, #8-32 X 3/8" PHIL	4	(650480-27)	(650480-27)
48	DECODER INTERFACE BOARD (DIB)	1	636104	636104

Note: Part numbers enclosed in brackets () are not available individually, but may be sold in assemblies or kits.