

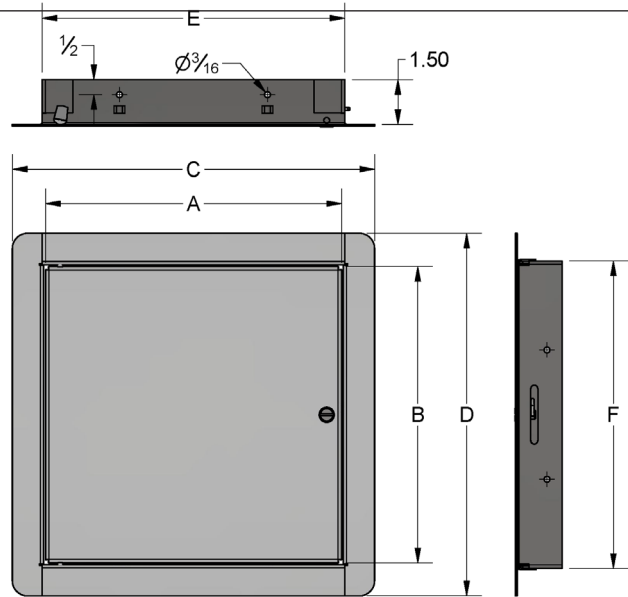
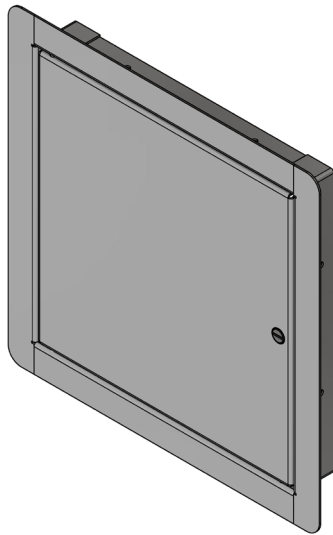
# Index WOG721

Description	Page
Option Suffixes & Descriptions .....	2-3
Carriers.....	4-57
Floor Drains.....	59-236
Trench Drains.....	237-244
Roof Drains .....	245-366
Traps, Primers & Plumbing Specialties .....	367-369
Interceptors .....	371-386
Cleanouts .....	387-413
Hydrants.....	414-421
Hydrant Box Assemblies, Components & Repair Kits.....	422
Floor Sinks .....	423-466
Stainless Steel .....	467-486
Hydrant Repair Kits List Price.....	487
Hardware Bags .....	488
Hydrant Maintenance Guide .....	489-515
Hardware Guide.....	Back 1-52

Suffix	Description	Suffix	Description	Suffix	Description
(-ADF)	Adjustable Extension	(-XT)	Modular Extension	(-63)	A.R.E. Coated Interior and Exterior
(-AE)	Adjustable Deck Riser	(-45O)	45 Degree Side Outlet	(-64)	A.R.E. Powder Coated Top
(-AEM)	Adjustable Deck Drain Riser	(-1)	Satin Finish Nickel Bronze	(-65)	Less A.R.E. Coating
(-ARC)	Acid Resistant Coating	(-2)	Satin Finish Bronze	(-66)	Primer Coated
(-AW)	Adjustable Water Regulator	(-3)	Rough Bronze	(-67)	White Painted Enamel
(-CO)	Cleanout Access and Plug	(-4)	Square Top	(-68)	Perforated S/S Sediment Bucket
(-COF2)	No-Hub Cleanout Ferrule (2")	(-5)	Vandal Proof	(-69)	All Aluminum
(-COF3)	No-Hub Cleanout Ferrule (3")	(-6)	1/2" Trap Primer Connection	(-70)	Inlet and Outlet Larger
(-COF4)	No-Hub Cleanout Ferrule (4")	(-7)	Dome Strainer	(-71)	Inlet and Outlet Smaller
(-COF5)	No-Hub Cleanout Ferrule (5")	(-8)	Secondary Strainer	(-72)	Carpet Marker
(-COF6)	No-Hub Cleanout Ferrule (6")	(-9)	Secondary Dome Strainer	(-73)	Torque Set Plug
(-COF8)	No-Hub Cleanout Ferrule (8")	(-10)	Less Secondary Strainer	(-74)	Plastic Plug
(-COT2)	No-Hub Cleanout Tee (2")	(-11)	Heel Proof Grate	(-75)	Bronze Countersunk Tapered Plug
(-COT3)	No-Hub Cleanout Tee (3")	(-12)	Ductile Top	(-76)	Cast Iron Gasketed Plug
(-COT4)	No-Hub Cleanout Tee (4")	(-13)	Tractor Grate	(-77)	Drilled and Tapped for 1/4-20 Screw
(-COT5)	No-Hub Cleanout Tee (5")	(-14)	Hinged Grate	(-78)	Spanner Wrench
(-COT6)	No-Hub Cleanout Tee (6")	(-15)	Half (1/2) Grate	(-79)	Screw Over 3-1/2" Long
(-COT8)	No-Hub Cleanout Tee (8")	(-16)	Three Quarter (3/4) Grate	(-80)	Lead Gasket (Plugs)
(-CF)	Carpet Flange	(-17)	Grate with Center Hole	(-81)	Gasketed Cover
(-CM)	Carpet Marker	(-18)	Solid Cover	(-82)	Key Handle Lock
(-CRT)	Hydrant Cartridge Repair Tool	(-19)	Locking Grate	(-83)	Special Wording or Logo on Cover
(-D)	Overflow Dam	(-20)	Depressed Grate	(-84)	Anchor Clips (W-8480-ST)
(-DC)	Debris Cover	(-21)	Less Grate	(-85)	Stainless Steel Cover
(-DF)	Static Extension	(-22)	Less Grate and Rim	(-86)	Screw Driver Lock
(-DFS)	Perforated Extension	(-23)	Grate Riser	(-87)	Wall Clamp
(-DIA)	Deck Installation Assembly	(-24)	Flashing Flange	(-88)	Copper Sweat Connection
(-DP)	Perforated Gravel Stop	(-25)	Less Flashing Flange	(-89)	Vacuum Breaker
(-DCT)	Decorative Top	(-26)	Clamp Device	(-90)	1" Hose Connection
(-DSA)	Down Spout Adapter	(-27)	Sediment Bucket	(-91)	Union Elbow Assembly -
(-DU)	Distribution Unit	(-28)	Cushioned Feet on Bucket	(-92)	Key Operated Cylinder Lock
(-E)	Elastomeric Flange	(-29)	Less Sediment Bucket	(-93)	Threaded Deep Seal P-Trap
(-EB)	Deck Extension Pan	(-30)	Bell Trap	(-94)	Extension Adapter
(-EF4)	4" Diameter Funnel	(-31)	Backwater Valve (Float or Flapper Type)	(-95)	Bronze Standpipe
(-EF6)	6" Diameter Funnel	(-32)	Polypropylene Top	(-96)	Galvanized Standpipe
(-EG6)	6" Elongated Funnel	(-33)	Closure Plug (Plastic)	(-97)	1" Hydrant Size
(-EG6)	8" Elongated Funnel	(-34)	T-Handle Closure Plug (Zinc Plated Steel)	(-98)	1-1/4" Hydrant Size
(-EJ)	Expansion Joint	(-35)	Extra High Grate Collar	(-99)	1-1/2" Hydrant Size
(-F)	Frame With Lugs	(-36)	Non-Conductive Hardware	(-100)	2" Hydrant Size
(-FH)	Cradle Housing	(-37)	Auxiliary Tapping (1-1/4", 1-1/2" or 2")	(-101)	Deflector Grate
(-FHT)	Enclosed Cradle Housing	(-38)	Tapping for Flushing Connection	(-102)	Chrome Plated Top
(-FM)	Flush Mount	(-39)	All Galvanized	(-103)	Chrome Plated Body
(-GSC)	Integral Gas Seal Cone	(-40)	Galvanized Top	(-104)	Chrome Plated Flange or Frame
(-HDR)	Replacement Hydrant Rod	(-41)	Galvanized Body	(-105)	Chrome Plated Standpipe
(-LBV)	Less Backwater Valve	(-42)	Cast Iron Top	(-106)	Bronze Mesh Lined Bucket
(-LMV)	Less Mixing Valve	(-43)	Satin Nickel Bronze Body	(-107)	Angle Grate
(-RHP)	Raised Head Plug	(-44)	Satin Bronze Body	(-108)	Less Dome Strainer
(-RS)	Replacement Screen	(-45)	Rough Bronze Body	(-109)	Drilled & Tapped Hole in Hydrant Box
(-S)	Square Top	(-46)	Aluminum Dome Strainer	(-110)	A.R.E. Coated Bucket
(-SD)	Adjustable Internal Overflow Standpipe	(-47)	High Dome Strainer	(-111)	A.R.E. Coated Secondary Dome Strainer
(-SO)	90 Degree Side Outlet	(-48)	Flat Strainer	(-112)	Floating Solids Retainer
(-T)	Recessed for Tile Cover (Round)	(-49)	Bronze Mesh Covered Dome Strainer	(-113)	Aluminum Cover
(-TC)	Threaded Plug Cover	(-50)	Stainless Steel Mesh Covered Dome	(-114)	Anti-Vortex Top
(-TD)	Grate Supported Sediment Bucket	(-51)	Each 1" of Extension Over Standard	(-115)	Hole For Flush Valve Handle
(-TS)	Recessed for Tile Cover (Square)	(-52)	Bearing Pan	(-116)	Perforated Bronze Bucket
(-TSD)	Trap Seal Device (4405)	(-53)	Under Deck Clamp	(-117)	Deep Outlet Connection (W-2920)
(-U)	Recessed for Terrazzo Cover (Round)	(-54)	Bronze Flashing Collar	(-118)	Bronze Countersunk Gasketed Plug
(-US)	Recessed for Terrazzo Cover (Square)	(-55)	Flashing Collar or Dam Over Standard	(-119)	Bronze Raised Head Gasketed Plug
(-VP)	Vandal Proof	(-56)	Each 1" of Standpipe Over Standard	(-120)	Cast Iron Standpipe
(-WCB)	Water Control Box	(-57)	Solid Standpipe	(-121)	Drilled Securing Holes in Flange
(-WK)	Hydrant Repair Kit	(-58)	Perforated Standpipe	(-122)	Tapped Securing Holes in Flange
(-WHRK)	Hydrant Repair Kit	(-59)	Less Pipe Expander	(-123)	Stainless Steel Mesh Lined Bucket
WP	Component of Assembly	(-60)	Down Spout Elbow	(-124)	Monel Mesh Lined Bucket
(-X)	Heavy Duty Top Assembly	(-61)	A.R.E. Coated Interior	(-125)	Alum. Bucket with S/S Screen Flow Ports
(-XF)	Extended Frame	(-62)	A.R.E. Coated Exterior	(-126)	Stainless Steel Mesh Covered Standpipe
				(-127)	Scoriated Cover

Suffix	Description	Suffix	Description	Suffix	Description
(-128)	Statuary Bronze	(-189)	Bearing Pan/Deck Securing Package	(-246)	Slip On Outlet with Set Screws
(-129)	Perforated Stainless Steel Dome Strainer	(-190)	Combo Roof/Overflow Package	(-247)	Anchor Screw Holes In Flange
(-130)	Bronze Raised Head Tapered Plug	(-191)	M.D. S/S Ribbed Grate (Heel Proof)	(-248)	Sediment Cup (for Outlet)
(-131)	Wheel Handle	(-192)	Solid S/S Hinged Cover w/Pull Ring & Solid Bucket w/Perforated Bottom	(-249)	Anchor Flange at Dimension from Top
(-132)	Satin Nickel Bronze Dome /Less Plug	(-193)	Knob Operated Lid Lock (2440 & 2440-S)	(-250)	C.I. Bucket w/ S/S Perforated Flow Ports
(-133)	Satin Bronze Dome /less Plug	(-194)	Decorative Panel (2440 & 2440-S)	(-251)	3/4" 90 Degree Solder Inlet Elbow
(-134)	Seepage Control Openings	(-195)	Spanner Operated Weir Opening Grate	(-252)	Rebar Saddles (Trench Drains)
(-135)	Bronze Casing	(-196)	Special Dimensions (Other Than Standard)	(-253)	Grate (MD) with 1/4" Square Holes
(-136)	Chain Anchored Grate	(-197)	Grate Riser w/ Anchor Holes in Flange	(-254)	S/S Reinforced Grate w/ 1/4" Openings
(-137)	Loose Set Grate	(-198)	(Dbl Bearing Pan) with Securing Package	(-255)	S/S Bar Grate w/ 1/4" Bars on 1/2" Centers
(-138)	Less Cleanout (W-2480)	(-199)	Stainless Steel Bar Grate on 1/2" Centers	(-256)	With Trap Guard
(-139)	Galvanized Strainer Body	(-200)	Indirect Waste Opening in Grate	(-257)	A.R.E. Sediment Bucket w/ S/S Mesh Lining
(-140)	Bronze Strainer Body	(-201)	Disposable Filter Bags (5760 Interceptor)	(-258)	IPS x Copper Sweat Connection - 90 Elbow
(-141)	Less Funnel (Type -FF Strainer)	(-202)	Flange/Clamp Device Specified Location	(-259)	3/4" IPS Straight Female Inlet Adapter
(-142)	Less Backflow Preventer	(-203)	Bolt Together Trench Drain Sections	(-260)	6" Diameter Core Drill Hydrant Box
(-143)	Satin Finish on Stainless Steel Funnel	(-204)	Interceptor Outlet Location (Specify)	(-261)	Mounting Brackets (16" Studs) Hydrants
(-144)	Grounding Screw	(-205)	3" Sq. Center Hole in Center of Grate	(-262)	Mounting Brackets (24" Studs) Hydrants
(-145)	2" NPT Hydrostatic Relief Valve Connection	(-206)	S/S Perforated Grate (1/8 on 1/8 Centers)	(-263)	Cast Iron Hydrant Box
(-146)	Less Under Deck Clamp	(-207)	Stainless Steel Perimeter Drainage Grate	(-264)	Aluminum Casing Guard
(-147)	Lift Handle	(-208)	Stainless Steel Veneer	(-265)	Access Housing (Cleanouts)
(-148)	Tapered Ground Joint Plug	(-209)	Bell Trap/Sediment Bucket w/ Perimeter Drainage Grate	(-266)	Plug Wrench
(-149)	6" Diameter Internal Water Dam (3000)	(-210)	2" NPT Valve Connection (2890-A)	(-267)	Top Secured with Slotted Screws
(-150)	Silicon Sealant between Rim and Body	(-211)	Less Anchor Holes (3880-SS)	(-268)	Stabilizer Pan
(-151)	Rough Nickel Bronze Dome Strainer	(-212)	Nickel Bronze Frame w/ Stainless Steel Grate	(-269)	Less Mixing Valve (2440)
(-152)	Rough Bronze Bucket	(-213)	Wall Plate with Special Wording (3840)	(-270)	Less Hydrant Box
(-153)	Stainless Steel Top (Reinforced)	(-214)	Cast Stainless Steel Hydrant Box	(-271)	Sediment Bucket, Mud Pan & Filter
(-154)	S/S Grate (w/Nickel Bronze Rim)	(-215)	Cast S?S Hydrant Box w/ Special Wording	(-272)	Epoxy Coating
(-155)	Stainless Steel Bar Grate	(-216)	Hinged Slotted Bird Screen	(-273)	Copper Sweat Elbow - F NPT x CS
(-156)	Nickel Bronze Secondary Dome Strainer	(-217)	Special Perforation Size in Grate	(-274)	Union Elbow Assembly - M NPT x CS
(-157)	Fabricated Stainless Steel Perforated Bucket	(-218)	Solids Retaining Baffle (1590)	(-275)	Copper Sweat Straight M NPT x CS
(-158)	Low Profile Dome Strainer	(-219)	Stabilizing Jack Bolts (3100-AEM)	(-276)	Copper Sweat Straight F NPT x CS
(-159)	Adjustable Flow Control Weir (-FCS Series)	(-220)	Rough Chrome Plated	(-277)	Union Elbow Assembly - F NPT x Male NPT
(-160)	Fiberglass Grate	(-221)	Polished Nickel Bronze Top	(-278)	Union Elbow Assembly - M NPT x M NPT
(-161)	Protector Cover Plate (W-9100)	(-222)	Polished Bronze Top	(-279)	Copper Sweat Elbow 1" M NPT x CS
(-162)	Heel Proof Cast Iron Top	(-223)	Perforated S/S Sediment Bucket	(-280)	8" Diameter Core Drill Hydrant Box
(-163)	Cover Drilled, Tapped & Ctsk for Lift Screw	(-224)	Body Machined for Support Rods	(-281)	Secondary Dome Strainer (3046)
(-164)	Smooth Cover (W-8300-S)	(-225)	S/S Sediment Bucket w/ Folding Handle	(-282)	Drip Rim for 3880-SS
(-165)	Rough Bronze Dome Strainer	(-226)	Stainless Steel Reinforced Grate	(-283)	Twist Latches Instead of Securing Screws
(-166)	S/S Rodent Screen on Bottom of Grate	(-227)	Dual Nozzle w/ S/S Wall Plate /Special .. Wording	(-284)	Anchor Flange Specified Dimension
(-167)	Pin-Allen Head Vandal Proof Screws	(-228)	Solid Bottom Sediment Bucket	(-285)	Perforated Grate Collar
(-168)	Suspended Sediment Bucket	(-229)	Security Screws (Spanner Type)	(-286)	Stainless Steel Dome
(-169)	Can Wash Piping & Hardware	(-230)	Security Screws (Pin Torx)	(-287)	Stainless Steel Standpipe
(-170)	Solid Nickel Slotted Grate (1310-TD )	(-231)	Steel or Cast Iron Standpipe (SD )	(-288)	Hydrant Straight Inlet—1" Male NPT
(-171)	Extra Heavy Duty Cover	(-232)	S/S Grate Perforated w/ 1/2" Sq. Openings	(-289)	Hydrant Straight Inlet—1" Female NPT
(-172)	Low Inlet Connection	(-233)	Integral Adjustable Mounting Brackets	(-290)	Copper Sweat—3/4" Female x 1" CS
(-173)	Stainless Steel Top	(-234)	Deep Hydrant Box (for Vacuum Breaker)	(-291)	Copper Sweat Elbow—3/4" Female x 1" CS
(-174)	Special S/S Perforated Sediment Bucket	(-235)	Trap Primer Adapter	(-292)	M.D. Grate Reinforcing Ribs 1/2" Square Holes
(-175)	Hydrant Box	(-236)	Polished Top Surface	(-293)	H.D. Grate Reinforcing Ribs 1/2" Square Holes
(-176)	Brass Hardware	(-237)	Stainless Steel Hydrant Box	(-294)	X.H. Grate Reinforcing Ribs 1/2" Square Holes
(-177)	Stainless Steel Hardware	(-238)	10-1/2" Diameter Sump	(-295)	X.H. Grate Reinforcing Ribs 3/4" Square Holes
(-178)	Galvanized Cast Iron Sediment Bucket	Suffix..... Description	(-239)	(-296)	Offset Bottom Outlet
(-179)	Security Screws (Pin Allen)	(-240)	(-240)..... Dbl Bearing Pan) with Securing Package	(-297)	Copper Sweat Adapter—1/2" NPT x 1/2" CS
(-180)	Less Weep Holes	(-241)	(-241)..... Stainless Steel Bar Grate (Bars 1/2" x 1")	(-298)	Enzyme Port in Cover
(-181)	Cast Iron Perforated Extension Collar	(-242)	(-242)..... Thermal Diffusion Coating (Top Only)	(-304)	Stainless Steel
(-182)	Polished Finish	(-243)	(-243)..... Thermal Diffusion Coating (Body Only)	(-316)	Stainless Steel
(-183)	Oil Draw Off Connection	(-244)	(-244)..... Thermal Diffusion Coating (Top & Body)		
(-184)	Outlet Length Over 10" (per in)	(-245)	(-245)..... Dbl Bearing Pan) with Securing Package		
(-185)	Hinged Solid Bird/Rodent Cover		(-246)..... Split Grates(Floor Sinks Two Half Grates)		
(-186)	Perforated Grate (Holes Instead of Slots)				
(-187)	3/4" Trap Primer Connection				
(-188)	Closure Plug (NPT Brass)				

AP Universal Access Door (Stainless Steel)



**Regularly Furnished:** 16 gauge 304 stainless steel access door with rounded outside corners, turnback hinged door, stainless steel spring latch with screwdriver operator and satin white primer coating.

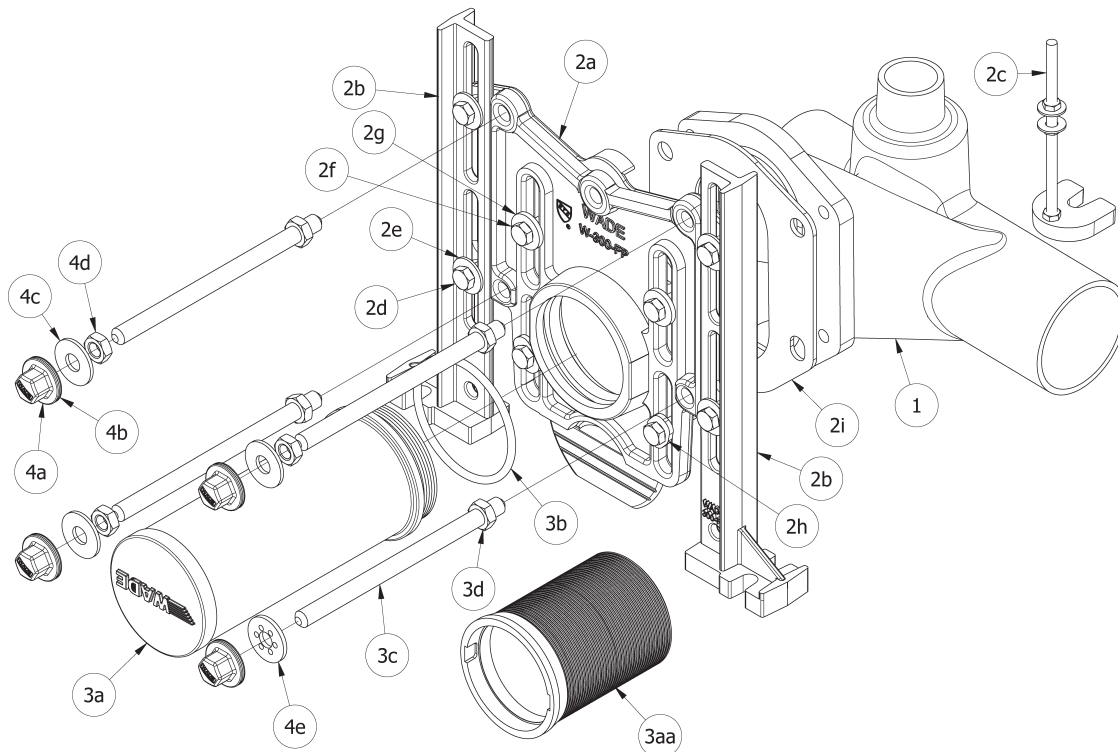
Model	Wt. Lbs.	Latches	UPC#	Regularly Furnished	Dimensions					
					A	B	C	D	E	F
AP66	1.9	1	431893	\$ 46.00	6	6	8-1/8	8-1/8	6-3/8	6-3/8
AP88	2.8	1	431886	46.00	8	8	10-1/8	10-1/8	8-3/8	8-3/8
AP1010	3.8	1	431889	59.00	10	10	12-1/8	12-1/8	10-3/8	10-3/8
AP1212	5.0	1	431879	55.00	12	12	14-1/8	14-1/8	12-3/8	12-3/8
AP1414	6.4	1	431862	69.00	14	14	16-1/8	16-1/8	14-3/8	14-3/8
<b>Custom Sizes</b>										
AP1616	7.9	1	431864	92.00	16	16	18-1/8	18-1/8	16-3/8	16-3/8
AP1818	9.8	1	431869	109.00	18	18	20-1/8	20-1/8	18-3/8	18-3/8
AP2424	15.9	1	431890	150.00	24	24	26-1/8	26-1/8	24-3/8	24-3/8

Suffix Options		
Suffix	Description	Add
VP	Vandal Resistant Allen Key Operator	\$ 24.00
92	Key Operated Cylinder Lock	21.00

### 311 Horizontal Water Closet Carrier - 300 Lb.

Item	Product #	UPC	List Price	Qty
<b>Fittings (Horizontal)</b>				
1	WP311-CD4-36	257325	\$ 1,906.00	1
	WP311-CD4	209973	1,579.00	1
	WP311-CL4-36	257332	1,363.00	1
	WP311-CL4	209980	914.00	1
	WP311-CR4-36	257349	1,363.00	1
	WP311-CR4	209997	914.00	1
	WP311-ND3	420330	1,136.00	1
	WP311-ND4-36	434481	1,811.00	1
	WP311-ND4	408529	1,484.00	1
	WP311-NL3	420323	702.00	1
	WP311-NL4-36	434498	1,311.00	1
	WP311-NL4	408536	862.00	1
	WP311-NR3	420347	702.00	1
	WP311-NR4-36	434504	1,311.00	1
	WP311-NR4	408543	862.00	1
	<b>Faceplate Assembly (Adjustable)</b>			
2	WP300-Faceplate	538684	605.00	1
<b>Coupling Packages (3a-3d &amp; 4a-e)</b>				
3,4	WP300-7PA	408703	402.00	1
	WP300-11PA	408710	402.00	1
	WP300-14PA	408727	641.00	1
	WP300-24PA	408734	1,835.00	1
	WP300-6CA	381907	402.00	1
	WP300-14CA	383017	641.00	1

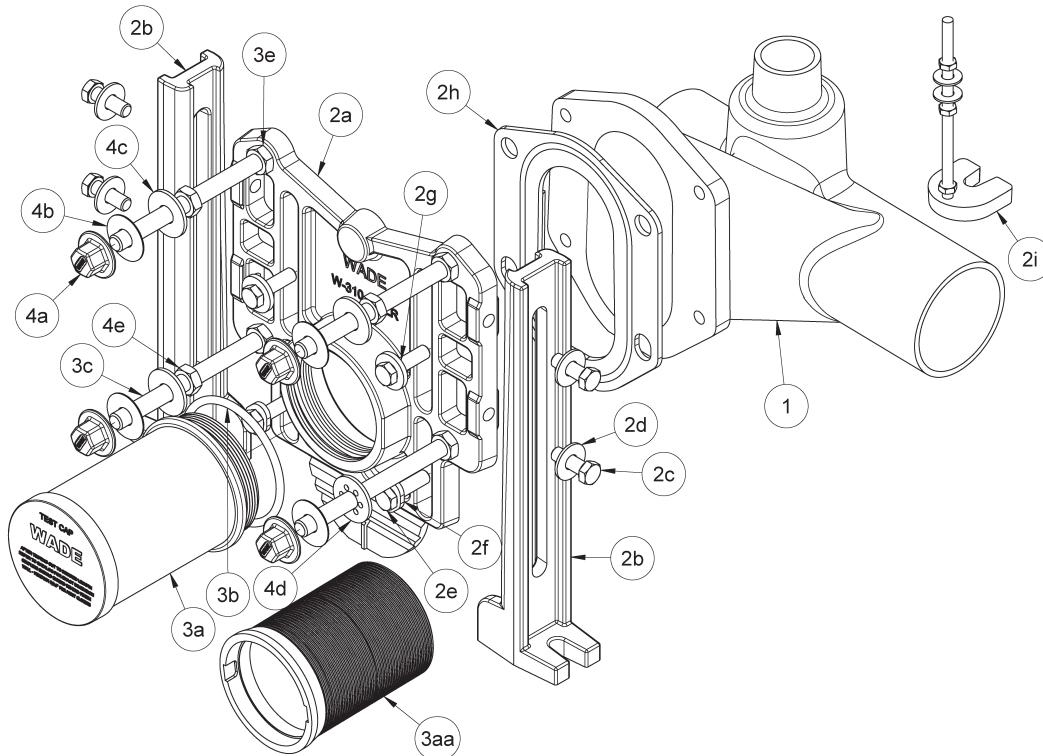
Item	Product #	UPC	List Price	Qty
<b>Replacement Parts (Couplings Only)</b>				
3a	WP300-7C	408666	\$ 183.00	1
	WP300-11C	408673	241.00	1
	WP300-14C	408680	392.00	1
	WP300-24C	408697	1,412.00	1
3aa	WP300-FPO-6C	257219	183.00	1
	WP300-FPO-14C	257226	335.00	1
<b>Replacement Parts</b>				
2c	WP300-AF Anchor Foot Assy	233848	202.00	1
2i	G4-4 Faceplate Gasket	445128	69.00	1
3b	GD-53 O-Ring Gasket	407515	22.00	1
3d	18CA Hardware Bag	228264	39.00	1
4a-e	1FA Hardware Bag (4a-f) *	300465	307.00	1
†	G1-M8 Bowl Gasket	246855	51.00	1
†	G1-M8-2 Bowl Gasket (5/8")	264163	138.00	1
†	G1-M9 Bowl Gasket (1")	264164	125.00	1
† Item Not Illustrated * 1FA Hardware Bag Includes G1-M8 Bowl Gasket				



**311-LR Horizontal Water Closet Carrier - 300 Lb.**

Item	Product #	UPC	List Price	Qty
<b>Fittings (Horizontal)</b>				
1	WP311-CD4-36	257325	1,906.00	1
	WP311-CD4	209973	1,579.00	1
	WP311-CL4-36	257332	1,363.00	1
	WP311-CL4	209980	914.00	1
	WP311-CR4-36	257349	1,363.00	1
	WP311-CR4	209997	914.00	1
	WP311-ND3	420330	1,136.00	1
	WP311-ND4-36	434481	1,811.00	1
	WP311-ND4	408529	1,484.00	1
	WP311-NL3	420323	702.00	1
	WP311-NL4-36	434498	1,311.00	1
	WP311-NL4	408536	862.00	1
	WP311-NR3	420347	702.00	1
	WP311-NR4-36	434504	1,311.00	1
	WP311-NR4	408543	862.00	1
<b>Faceplate Assembly (Adjustable)</b>				
2	WP300-LR Faceplate	445012	605.00	1
<b>Coupling Packages (3a-3d &amp; 4a-e)</b>				
3,4	WP300-7PA	408703	402.00	1
	WP300-11PA	408710	402.00	1
	WP300-14PA	408727	641.00	1
	WP300-24PA	408734	1,835.00	1
	WP300-6CA	381907	402.00	1
	WP300-14CA	383017	641.00	1

Item	Product #	UPC	List Price	Qty
<b>Replacement Parts (Couplings Only)</b>				
3a	WP300-7C	408666	183.00	1
	WP300-11C	408673	241.00	1
	WP300-14C	408680	392.00	1
	WP300-24C	408697	1,412.00	1
3aa	WP300-FPO-6C	257219	183.00	1
	WP300-FPO-14C	257226	335.00	1
<b>Replacement Parts</b>				
2c	WP300-AF Anchor Foot Assy	233848	202.00	1
2i	G4-4 Faceplate Gasket	445128	69.00	1
3b	GD-53 O-Ring Gasket	407515	22.00	1
3e	18CA Hardware Bag	228264	39.00	1
4a-e	1FA Hardware Bag (4a-f) *	300465	307.00	1
†	G1-M8 Bowl Gasket	246855	51.00	1
†	G1-M8-2 Bowl Gasket (5/8")	264163	138.00	1
†	G1-M9 Bowl Gasket (1")	264164	125.00	1
† Item Not Illustrated * 1FA Hardware Bag Includes G1-M8 Bowl Gasket				

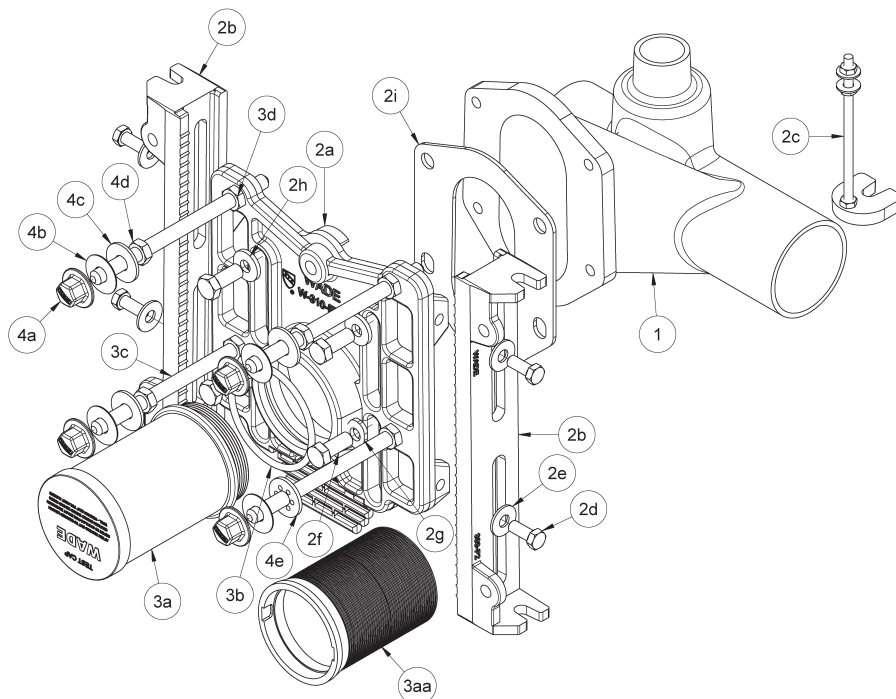


311-PF Horizontal Water Closet Carrier - 300 Lb.

Item	Product #	UPC	List Price	Qty
Fittings (Horizontal)				
1	WP311-CD4-36	257325	1,906.00	1
	WP311-CD4	209973	1,579.00	1
	WP311-CL4-36	257332	1,363.00	1
	WP311-CL4	209980	914.00	1
	WP311-CR4-36	257349	1,363.00	1
	WP311-CR4	209997	914.00	1
	WP311-ND3	420330	1,136.00	1
	WP311-ND4-36	434481	1,811.00	1
	WP311-ND4	408529	1,484.00	1
	WP311-NL3	420323	702.00	1
	WP311-NL4-36	434498	1,311.00	1
	WP311-NL4	408536	862.00	1
	WP311-NR3	420347	702.00	1
	WP311-NR4-36	434504	1,311.00	1
	WP311-NR4	408543	862.00	1
Faceplate Assembly (Adjustable)				
2	WP300-PF Faceplate	381891	605.00	1
2	WP300-PF Faceplate (USA)	211372	605.00	1
Coupling Packages (3a-3d & 4a-e)				
3,4	WP300-7PA	408703	402.00	1
	WP300-11PA	408710	402.00	1
	WP300-14PA	408727	641.00	1
	WP300-24PA	408734	1,835.00	1
	WP300-6CA	381907	402.00	1
	WP300-14CA	383017	641.00	1

Item	Product #	UPC	List Price	Qty
Replacement Parts (Couplings Only)				
3a	WP300-7C	408666	183.00	1
	WP300-11C	408673	241.00	1
	WP300-14C	408680	392.00	1
	WP300-24C	408697	1,412.00	1
3aa	WP300-FPO-6C	257219	183.00	1
	WP300-FPO-14C	257226	335.00	1
Replacement Parts				
2c	WP300-AF Anchor Foot Assy	233848	202.00	1
2i	G4-4 Faceplate Gasket	445128	\$69.00	1
3b	GD-53 O-Ring Gasket	407515	\$22.00	1
3e	18CA Hardware Bag	228264	\$39.00	1
4a-e	1FA Hardware Bag *	300465	\$307.00	1
†	G1-M8 Bowl Gasket	246855	\$51.00	1
†	G1-M8-2 Bowl Gasket (5/8")	264163	\$138.00	1
†	G1-M9 Bowl Gasket (1")	264164	\$125.00	1

† Item Not Illustrated \* 1FA Hardware Bag Includes G1-M8 Bowl Gasket

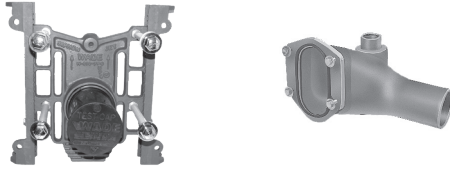


**CARRIERS**

Cat.No.	UPC#	List Price
---------	------	------------

**WATER CLOSET CARRIER ASSEMBLIES**

Consists of carrier fitting and faceplate assembly with neoprene gasket, 7-in. plastic coupling/test cap and hardware.



**311 3" NO-HUB COMPLETE ASSEMBLIES**

311-NL3	481386	1,709.00
311-NR3	481393	1,709.00
311-ND3	481409	3,150.00
311-NL3-ECC11	481416	1,709.00
311-NR3-ECC11	481423	1,709.00
311-ND3-ECC11	481430	3,150.00
311-NL3-ECC14	481447	1,948.00
311-NR3-ECC14	481454	1,948.00
311-ND3-ECC14	482352	3,627.00

**311 4" NO-HUB COMPLETE ASSEMBLIES**

**311 Series - Horizontal-Short Barrel**

311-NL4	318354	1,869.00
311-NR4	318361	1,869.00
311-ND4	318552	3,498.00
311-NL4-ECC11	430940	1,869.00
311-NR4-ECC11	430957	1,869.00
311-ND4-ECC11	430902	3,498.00
311-NL4-ECC14	380023	2,108.00
310-NR4-ECC14	380047	2,108.00
311-ND4-ECC14	380061	3,976.00
311-NL4-ECC24	380030	3,302.00
311-NR4-ECC24	380054	3,302.00
311-ND4-ECC24	380078	6,364.00
311-NL4-FPO (6")	421108	1,869.00
311-NR4-FPO (6")	421115	1,869.00
311-ND4-FPO (6")	421061	3,498.00
311-NL4-FPO-ECC14	421153	2,108.00
311-NR4-FPO-ECC14	421160	2,108.00
311-ND4-FPO-ECC14	421177	3,976.00

**311-HR (High Rough)**

311-NL4-HR (High Rough)	378891	1,869.00
311-NR4-HR (High Rough)	378907	1,869.00
311-ND4-HR (High Rough)	378914	3,498.00
311-NL4-HR-ECC11 (High Rough)	430919	1,869.00
311-NR4-HR-ECC11 (High Rough)	430926	1,869.00
311-ND4-HR-ECC11 (High Rough)	430933	3,498.00
311-NL4-HR-ECC14 (High Rough)	381327	2,108.00
311-NR4-HR-ECC14 (High Rough)	381280	2,108.00
311-ND4-HR-ECC14 (High Rough)	381242	3,976.00
311-NL4-HR-ECC24 (High Rough)	381334	3,302.00
311-NR4-HR-ECC24 (High Rough)	381297	3,302.00
311-ND4-HR-ECC24 (High Rough)	381259	6,364.00
311-NL4-HR-FPO (6") (High Rough)	421078	1,869.00
310-NR4-HR-FPO (6") (High Rough)	421085	1,869.00
311-ND4-HR-FPO (6") (High Rough)	421092	3,498.00
311-NL4-HR-FPO-ECC14 (High Rough)	421184	2,108.00
311-NR4-HR-FPO-ECC14 (High Rough)	421191	2,108.00
311-ND4-HR-FPO-ECC14 (High Rough)	421207	3,976.00

**311-PF (Pre-Fab Faceplate)**

311-PF-NR4-ECC11 (Pre-Fab FP)	430943	1,869.00
311-PF-NL4-ECC11 (Pre-Fab FP)	430944	1,869.00
311-PF-ND4-ECC11 (Pre-Fab FP)	430945	3,498.00

**WOG721**

Cat.No.	UPC#	List Price
---------	------	------------

**311-UA (Urinal Auxiliary)**

311-NL4-UA (Urinal Auxiliary)	378921	2,300.00
311-NR4-UA (Urinal Auxiliary)	378938	2,300.00
311-ND4-UA (Urinal Auxiliary)	378945	3,929.00
311-NL4-UA-ECC11 (Urinal Auxiliary)	430896	2,300.00
311-NR4-UA-ECC11 (Urinal Auxiliary)	430964	2,300.00
311-ND4-UA-ECC11 (Urinal Auxiliary)	430889	3,929.00
311-NL4-UA-ECC14 (Urinal Auxiliary)	381341	2,539.00
311-NR4-UA-ECC14 (Urinal Auxiliary)	381303	2,539.00
311-ND4-UA-ECC14 (Urinal Auxiliary)	381266	4,407.00
311-NL4-UA-ECC24 (Urinal Auxiliary)	381358	3,733.00
311-NR4-UA-ECC24 (Urinal Auxiliary)	381310	3,733.00
311-ND4-UA-ECC24 (Urinal Auxiliary)	381273	6,795.00
311-NL4-UA-FPO (6") (Urinal Auxiliary)	421122	2,300.00
311-NR4-UA-FPO (6") (Urinal Auxiliary)	421139	2,300.00
311-ND4-UA-FPO (6") (Urinal Auxiliary)	421146	3,929.00
311-NL4-UA-FPO-ECC14 (Urinal Auxiliary)	421214	2,539.00
311-NR4-UA-FPO-ECC14 (Urinal Auxiliary)	421221	2,539.00
311-ND4-UA-FPO-ECC14 Urinal Auxiliary	421238	4,407.00

**311-UA-PF (Urinal Auxiliary with Pre-Fab Faceplate)**

311-NR4-UA-PF-ECC11 (Pre-Fab FP)	430895	2,300.00
311-NL4-UA-PF-ECC11 (Pre-Fab FP)	430898	2,300.00

**311-LR (Low Rough)**

311-NL4-LR-ECC11	518884	1,869.00
311-NR4-LR-ECC11	518860	1,869.00

**311-36 Horizontal-Long Barrel w/Flange Style Coupling**

311-NR4-36	361312	2,318.00
311-NL4-36	361329	2,318.00
311-ND4-36	361336	3,825.00
311-NR4-36-ECC11	430872	2,318.00
311-NL4-36-ECC11	430865	2,318.00
311-ND4-36-ECC11	430971	3,825.00
311-NR4-36-ECC14	380085	2,557.00
311-NL4-36-ECC14	380108	2,557.00
311-ND4-36-ECC14	380139	4,303.00
311-NR4-36-ECC24	380092	3,751.00
311-NL4-36-ECC24	380115	3,751.00
311-ND4-36-ECC24	380146	6,691.00
w/ O-ring Style All Thread Couplings		
311-NR4-36-FPO (6")	421245	2,318.00
311-NL4-36-FPO (6")	421252	2,318.00
311-ND4-36-FPO (6")	421269	3,825.00
311-NR-36-FPO-ECC14	421276	2,557.00
311-NL4-36-FPO-ECC14	421283	2,557.00
311-ND4-36-FPO-ECC14	421290	4,303.00

**FACEPLATE ASSEMBLIES**

WP300-FP (Standard - 300 Lb)	538684	605.00
WP310-FP (Pre-Fab Style - 300 Lb)	381891	605.00
WP310-LR (Low Rough Style - 300 Lb)	445012	605.00
WP310-HR (High Rough Style - 300 Lb)	383031	606.00

**COUPLING PACKAGES (Flanged Style) w/ Hardware**

WP300-7PA	408703	402.00
WP300-11PA	408710	402.00
WP300-14PA	408727	641.00
WP300-24PA	408734	1,835.00

**COUPLING PACKAGES (All Thread Style) w/ Hardware**

WP300-6CA	381907	402.00
WP300-14CA	383017	641.00

**For Options See Page 25**

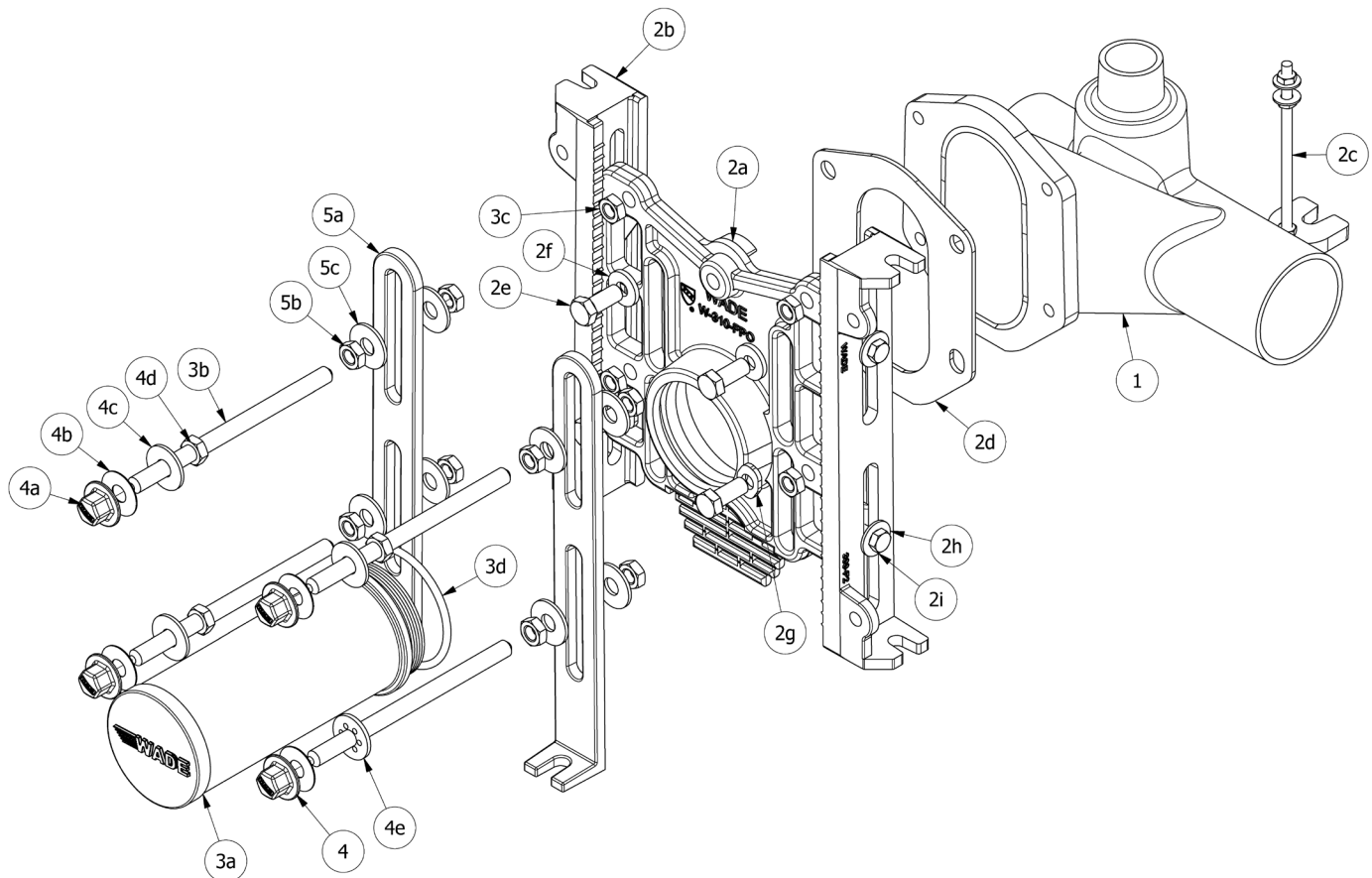


### 311-HD Horizontal Water Closet Carrier - 500 Lb.

Item	Product #	UPC	List Price	Qty
<b>Fittings (Horizontal)</b>				
1	WP311-CD4-36	257325	1,906.00	1
	WP311-CD4	209973	1,579.00	1
	WP311-CL4-36	257332	1,363.00	1
	WP311-CL4	209980	914.00	1
	WP311-CR4-36	257349	1,363.00	1
	WP311-CR4	209997	914.00	1
	WP311-ND3	420330	1,136.00	1
	WP311-ND4-36	434481	1,811.00	1
	WP311-ND4	408529	1,484.00	1
	WP311-NL3	420323	702.00	1
	WP311-NL4-36	434498	1,311.00	1
	WP311-NL4	408536	862.00	1
	WP311-NR3	420347	702.00	1
	WP311-NR4-36	434504	1,311.00	1
	WP311-NR4	408543	862.00	1

Item	Product #	UPC	List Price	Qty
<b>Faceplate Assembly</b>				
2	WP311-FP-HD	455685	913.00	1
<b>Coupling Packages (3a-3d &amp; 4a-e)</b>				
3,4	WP300-7PA	408703	402.00	1
	WP300-6CA	381907	402.00	1
<b>Replacement Parts</b>				
2c	WP300-AF Anchor Foot Assy	233848	202.00	1
2d	G4-4 Faceplate Gasket	445128	69.00	1
3d	GD-53 O-Ring Gasket	407515	22.00	1
3c	18CA Hardware Bag	228264	39.00	1
4a-e	1FA Hardware Bag (4a-f)	300465	307.00	1
5a-c	M4 Rod Support Assy (5a-c)	233787	379.00	1
†	G1-M8 Bowl Gasket	246855	51.00	1
†	G1-M8-2 Bowl Gasket (5/8")	264163	138.00	1
†	G1-M9 Bowl Gasket (1")	264164	125.00	1

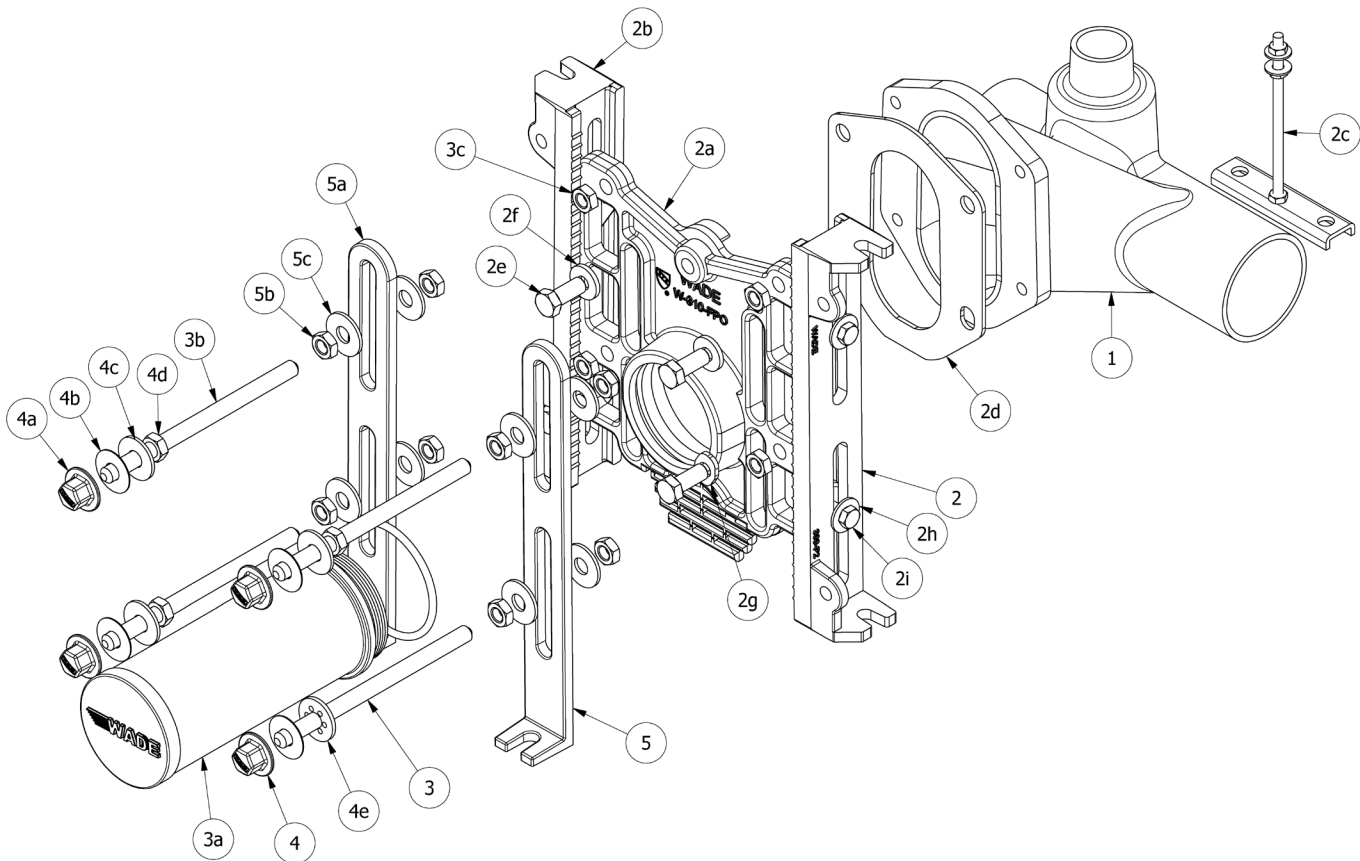
† Item Not Illustrated \* 1FA Hardware Bag Includes G1-M8 Bowl Gasket



**311-XH Horizontal Water Closet Carrier - 750 Lb.**

Item	Product #	UPC	List Price	Qty
Fittings (Horizontal)				
1	WP311-CD4-36	257325	1,906.00	1
	WP311-CD4	209973	1,579.00	1
	WP311-CL4-36	257332	1,363.00	1
	WP311-CL4	209980	914.00	1
	WP311-CR4-36	257349	1,363.00	1
	WP311-CR4	209997	914.00	1
	WP311-ND3	420330	1,136.00	1
	WP311-ND4-36	434481	1,811.00	1
	WP311-ND4	408529	1,484.00	1
	WP311-NL3	420323	702.00	1
	WP311-NL4-36	434498	1,311.00	1
	WP311-NL4	408536	862.00	1
	WP311-NR3	420347	702.00	1
	WP311-NR4-36	434504	1,311.00	1
	WP311-NR4	408543	862.00	1

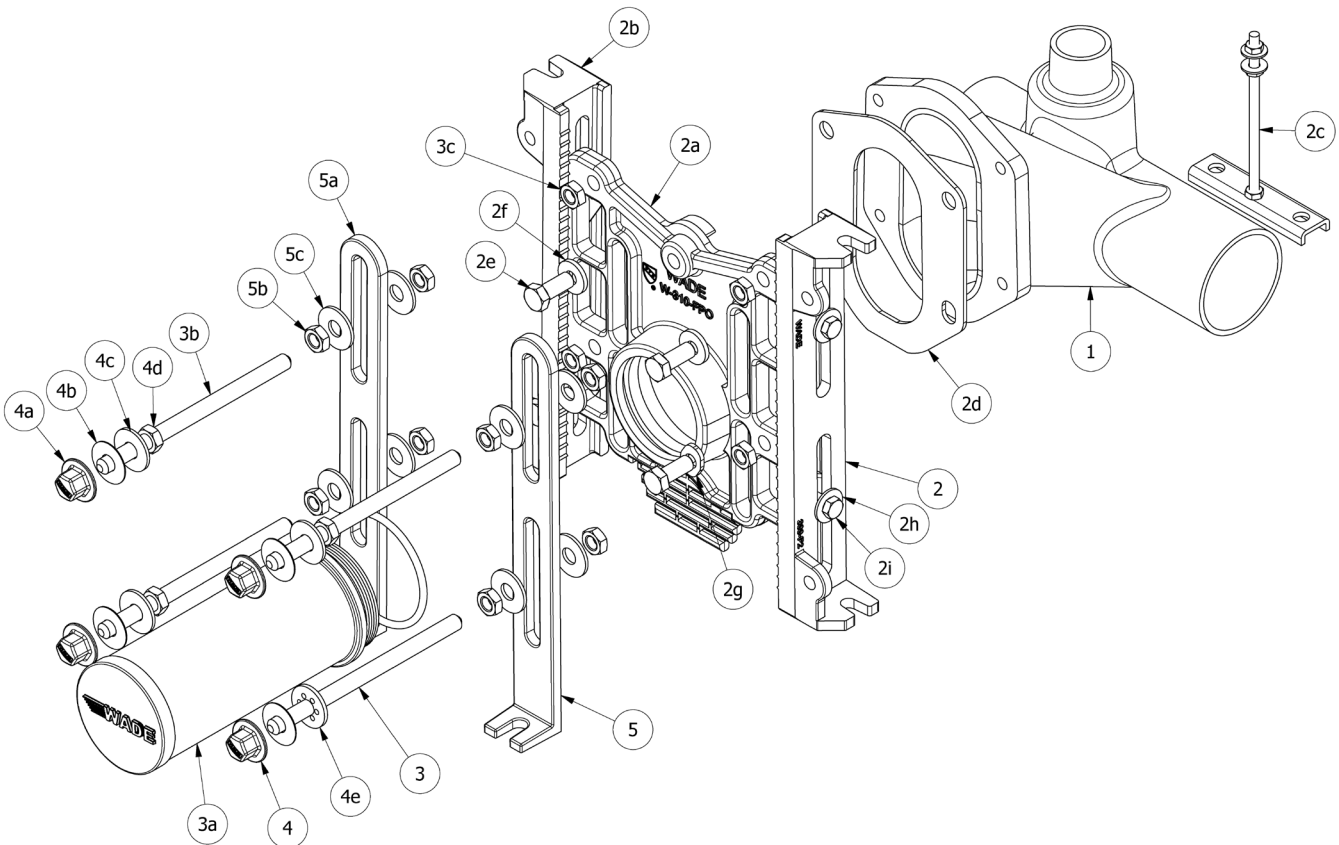
Item	Product #	UPC	List Price	Qty
Faceplate Assembly				
2	WP311-FP-XH-XB	455686	2,749.00	1
Coupling Packages (3a-d & 4a-e)				
3,4	WP300-7PA	408703	402.00	1
	WP300-6CA	381907	402.00	1
Replacement Parts				
2c	WP300-AFXH Anchor Foot Assy	455745	2,489.00	
2d	G4-4 Faceplate Gasket	445128	69.00	1
3d	GD-53 O-Ring Gasket	407515	22.00	1
3c	18CA Hardware Bag	228264	39.00	1
4a-e	1FA Hardware Bag (4a-f)*	300465	307.00	1
5a-c	M4 Rod Support Assy (5a-c)	233787	379.00	1
†	G1-M8 Bowl Gasket	246855	51.00	1
†	G1-M8-2 Bowl Gasket (5/8")	264163	138.00	1
†	G1-M9 Bowl Gasket (1")	264164	125.00	1
† Item Not Illustrated * 1FA Hardware Bag Includes G1-M8 Bowl Gasket				



**311-XB Horizontal Water Closet Carrier - 1,000 Lb.**

Item	Product #	UPC	List Price	Qty
Fittings (Horizontal)				
1	WP311-CD4-36	257325	1,906.00	1
	WP311-CD4	209973	1,579.00	1
	WP311-CL4-36	257332	1,363.00	1
	WP311-CL4	209980	914.00	1
	WP311-CR4-36	257349	1,363.00	1
	WP311-CR4	209997	914.00	1
	WP311-ND3	420330	1,136.00	1
	WP311-ND4-36	434481	1,811.00	1
	WP311-ND4	408529	1,484.00	1
	WP311-NL3	420323	702.00	1
	WP311-NL4-36	434498	1,311.00	1
	WP311-NL4	408536	862.00	1
	WP311-NR3	420347	702.00	1
	WP311-NR4-36	434504	1,311.00	1
	WP311-NR4	408543	862.00	1

Item	Product #	UPC	List Price	Qty
Faceplate Assembly				
2	WP311-FP-XH-XB	455686	2,749.00	1
Coupling Packages (3a-d & 4a-e)				
3,4	WP300-7PA-XB	408713	1,859.00	1
	WP300-6CA-XB	381908	1,859.00	1
Replacement Parts				
2c	WP300-AFXH Anchor Foot Assy	455745	2,489.00	1
2d	G4-4 Faceplate Gasket	445128	69.00	1
3d	GD-53 O-Ring Gasket	407515	22.00	1
3c	18CA Hardware Bag	228264	39.00	1
4a-e	1FA Hardware Bag (4a-f) *	300465	307.00	1
5a-c	M4 Rod Support Assy (5a-c)	233787	379.00	1
†	G1-M8 Bowl Gasket	246855	51.00	1
†	G1-M8-2 Bowl Gasket (5/8")	264163	138.00	1
†	G1-M9 Bowl Gasket (1")	264164	125.00	1
† Item Not Illustrated * 1FA Hardware Bag Includes G1-M8 Bowl Gasket				



**CARRIERS**

Cat.No.	UPC#	List Price
<b>WATER CLOSET CARRIER COMPLETE ASSEMBLIES</b>		
Consists of 4" carrier fitting and faceplate assembly with neoprene gasket, 7-in. plastic coupling/test cap and hardware.		
<b>Horizontal Short Barrel 311-HD Series (Heavy Duty)</b>		
311-NL4-HD (500 Lb)	544874	2,177.00
311-NR4-HD (500 Lb)	544875	2,177.00
311-ND4-HD (500 Lb)	544873	4,114.00
<b>Horizontal Short Barrel 311-XH Series (Extra Heavy Duty)</b>		
311-NL4-XH (750 Lb)	544869	4,013.00
311-NR4-XH (750 Lb)	544870	4,013.00
311-ND4-XH (750 Lb)	552475	7,181.00
<b>Horizontal Short Barrel 311-XB Series (Bariatric)</b>		
311-NL4-XB (1,000 Lb)	533942	5,470.00
311-NR4-XB (1,000 Lb)	539941	5,470.00
311-ND4-XB (1,000 Lb)	539933	10,700.00

**For Options See Page 25**

**WOG721**

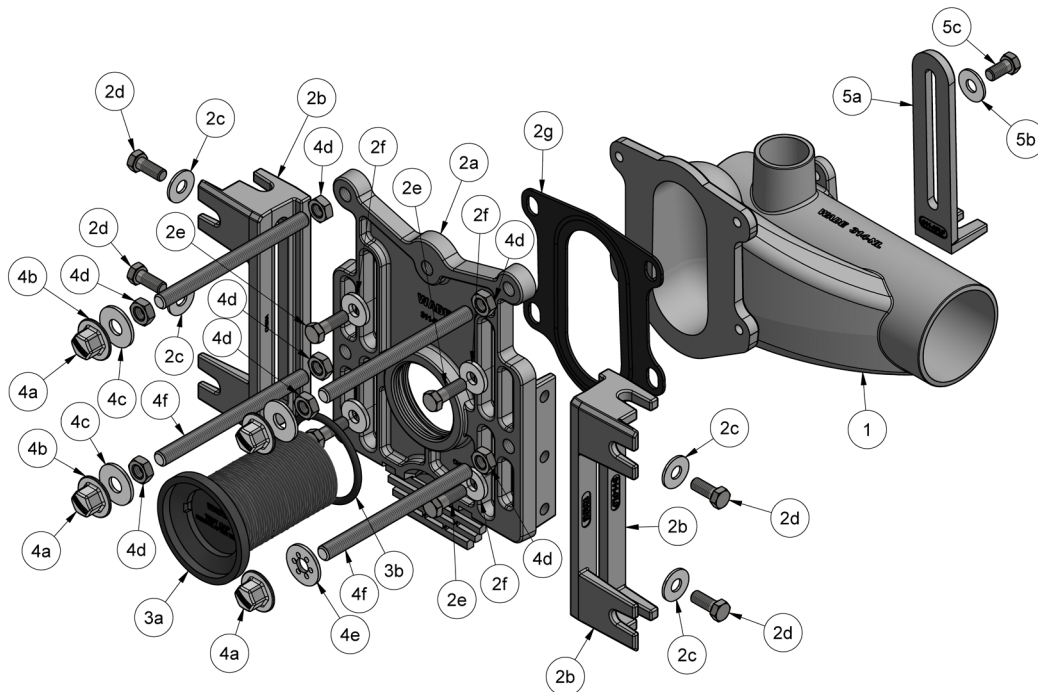
Cat.No.	UPC#	List Price
<b>FITTINGS ONLY</b>		
<b>Horizontal-Short Barrel, 311 Series - 3" Pipe Size</b>		
WP311-NL3	420323	702.00
WP311-NR3	420347	702.00
WP311-ND3	420330	1,136.00
<b>Horizontal-Short Barrel, 311 Series - 4" Pipe Size</b>		
WP311-NL4	408536	862.00
WP311-NR4	408543	862.00
WP311-ND4	408529	1,484.00
WP311-NL4-HR	378174	865.00
WP311-NR4-HR	378198	865.00
WP311-ND4-HR	378204	1,488.00
WP311-NL4-UA	378242	1,293.00
WP311-NR4-UA	378259	1,293.00
WP311-ND4-UA	378266	1,915.00
<b>Horizontal-Long Barrel, 311 Series - 4" Pipe Size</b>		
WP311-NL4-36	434498	1,311.00
WP311-NR4-36	434504	1,311.00
WP311-ND4-36	434481	1,811.00

<b>FACEPLATE ASSEMBLIES WITH COUPLING PACKAGES</b>		
w/ Flanged Style Couplings		
WP300-FP-7PA (Standard - 300 Lb)	300458	1,008.00
WP310-FP-HD-7PA (HD-500 Lb)	455683	1,314.00
WP310-FP-XH-7PA (XH-750 Lb)	455690	3,003.00
WP310-FP-XB-7PA (XB-1,000 Lb)	455706	4,609.00
<b>FACEPLATE ASSEMBLIES WITH COUPLING PACKAGES</b>		
w/ O-ring Style All Thread Couplings		
WP300-FP-6CA (Standard - 300 Lb)	381884	1,008.00
WP310-FP-HD-6CA (HD-500 Lb)	455713	1,314.00
WP310-FP-XH-6CA (XH-750 Lb)	455720	3,003.00
WP310-FP-XB-6CA (XB-1,000 Lb)	455737	4,609.00

### 314 Horizontal, Adjustable Water Closet Support (Low Flow Optimized)

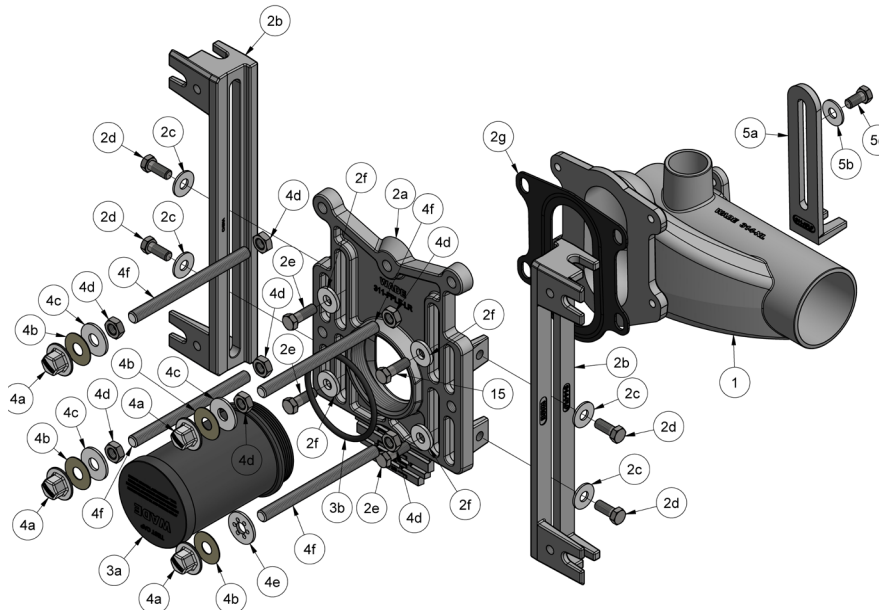
Item	Product #	UPC	List Price	Qty
<b>Fittings (Horizontal)</b>				
1	WP314-ND4	408569	1,484.00	1
	WP314-NL4	408596	862.00	1
	WP314-NR4	408597	862.00	1
<b>Faceplate Assembly (Adjustable)</b>				
2	WP314-Faceplate	538700	605.00	1
<b>Coupling Packages (3a-3b &amp; 4a-f)</b>				
3,4	WP314-6PA	408511	402.00	1
	WP314-14PA	408514	641.00	1
<b>Rear Anchor Foot Package (5a-c)</b>				
5	WP314-AF Anchor Foot Assy	408517	93.00	1
<b>Replacement Parts (Couplings Only)</b>				
3a	WP314-6PA	257306	183.00	1
	WP314-14PA	257314	392.00	1
<b>Replacement Parts</b>				
2g	G4-5LF Faceplate Gasket	445130	69.00	1
3b	GD-56 O-Ring Gasket	410577	50.00	1
4d	18CA Hardware Bag	228264	39.00	1
4a-e	1FA Hardware Bag (4a-f) *	300465	307.00	1
†	G1-M8 Bowl Gasket	246855	51.00	1
†	G1-M8-2 Bowl Gasket (5/8")	264163	138.00	1
†	G1-M9 Bowl Gasket (1")	264164	125.00	1

† Item Not Illustrated \* 1FA Hardware Bag Includes G1-M8 Bowl Gasket



### 314-LR Horizontal, Adjustable Water Closet Support Low Rough In (Low Flow Optimized)

Item	Product #	UPC	List Price	Qty
<b>Fittings (Horizontal)</b>				
1	WP314-ND4	408569	1,484.00	1
	WP314-NL4	408596	862.00	1
	WP314-NR4	408597	862.00	1
	WP314-NL4-UA	408606	1,293.00	1
	WP314-NR4-UA	408617	1,293.00	1
<b>Faceplate Assembly (Adjustable)</b>				
2	WP314FP-LR-Faceplate	538780	605.00	1
<b>Coupling Packages (3a-3b &amp; 4a-f)</b>				
3,4	WP300-7PA	408703	402.00	1
	WP300-11PA	408710	402.00	1
	WP300-14PA	408727	641.00	1
	WP300-24PA	408734	1,835.00	1
<b>Rear Anchor Foot Package (5a-c)</b>				
5	WP314-AF Anchor Foot Assy	233850	93.00	1
<b>Replacement Parts (Couplings Only)</b>				
3a	WP300-7C	408666	183.00	1
	WP300-11C	408673	241.00	1
	WP300-14C	408680	392.00	1
	WP300-24C	408697	1,412.00	1
<b>Replacement Parts</b>				
2g	G4-5LF Faceplate Gasket	445130	69.00	1
3b	GD-53 O-Ring Gasket	407515	22.00	1
4d	18CA Hardware Bag (4 Nuts)	228264	39.00	1
4a-e	1FA Hardware Bag (4a-f) *	300465	307.00	1
†	G1-M8 Bowl Gasket	246855	51.00	1
†	G1-M8-2 Bowl Gasket (5/8")	264163	138.00	1
†	G1-M9 Bowl Gasket (1")	264164	125.00	1
† Item Not Illustrated * 1FA Hardware Bag Includes G1-M8 Bowl Gasket				

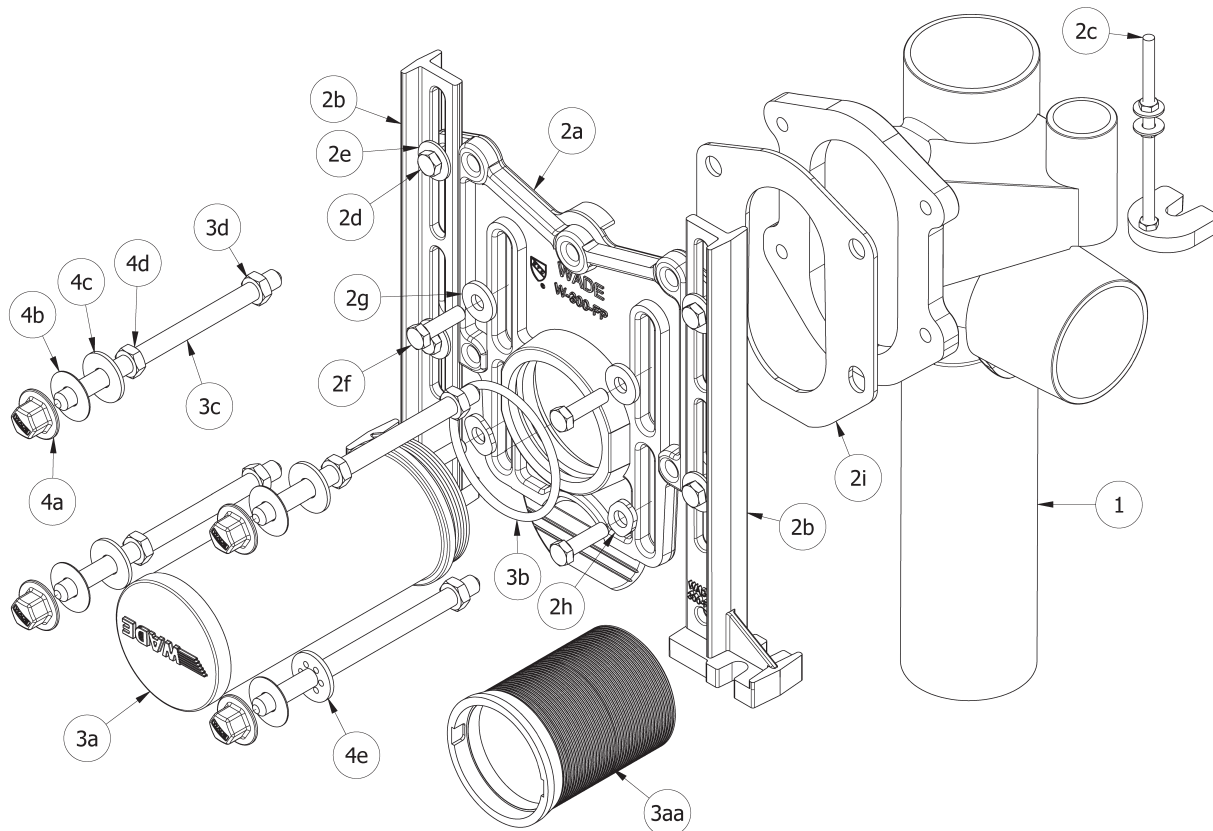




330 Vertical Water Closet Carrier - 300 Lb.

Item	Product #	UPC	List Price	Qty
Fittings (Vertical)				
1	WP330-C44-A2	210238	2,008.00	1
	WP330-C44-A2-VL	210221	2,008.00	1
	WP330-C4	210085	1,270.00	1
	WP330-C4-VL	210078	1,270.00	1
	WP330-CD44-A1	210184	2,293.00	1
	WP330-CD44-A2	210214	2,663.00	1
	WP330-CD4	210061	1,925.00	1
	WP330-CL44-A1	210191	1,639.00	1
	WP330-CR44-A1	210207	1,639.00	1
	WP330-NL44-A2	525486	1,837.00	1
	WP330-NR44-A2	525493	1,837.00	1
	WP330-NR4	500941	1,111.00	1
	WP330-NL4	500958	1,111.00	1
	WP330-ND44-A1	525429	2,085.00	1
	WP330-ND44-A2	525462	2,447.00	1
	WP330-ND4	525423	1,734.00	1
	WP330-NL44-A1	525447	1,476.00	1
	WP330-NR44-A1	525454	1,476.00	1
Faceplate Assembly (Adjustable)				
2	WP300-Faceplate	538684	605.00	1

Item	Product #	UPC	List Price	Qty
Coupling Packages (3a-3d & 4a-e)				
3,4	WP300-7PA	408703	402.00	1
	WP300-11PA	408710	402.00	1
	WP300-14PA	408727	641.00	1
	WP300-24PA	408734	1,835.00	1
	WP300-14CA	383017	641.00	1
	WP300-6CA	381907	402.00	1
Replacement Parts (Couplings Only)				
3a	WP300-7C	408666	183.00	1
	WP300-11C	408673	241.00	1
	WP300-14C	408680	392.00	1
	WP300-24C	408697	1,412.00	1
3aa	WP300-FPO-6C	257219	183.00	1
	WP300-FPO-14C	257226	335.00	1
Replacement Parts				
2c	WP300-AF Anchor Foot Assy	233848	202.00	1
2i	G4-4 Faceplate Gasket	445128	69.00	1
3b	GD-53 O-Ring Gasket	407515	22.00	1
3d	18CA Hardware Bag	228264	39.00	1
4a-e	1FA Hardware Bag (4a-f) *	300465	307.00	1
†	G1-M8 Bowl Gasket	246855	51.00	1
†	G1-M8-2 Bowl Gasket (5/8")	264163	138.00	1
†	G1-M9 Bowl Gasket (1")	264164	125.00	1
† Item Not Illustrated * 1FA Hardware Bag Includes G1-M8 Bowl Gasket				





**WOG721**

Cat.No. UPC# List Price

**330 NO-HUB COMPLETE ASSEMBLIES**

<b>Vertical-No Side Inlet, 330 Series</b>		
330-NL4	318378	2,118.00
330-NR4	318385	2,118.00
330-ND4	318569	3,748.00
330-NL4-ECC11	431084	2,118.00
330-NR4-ECC11	431107	2,118.00
330-ND4-ECC11	431091	3,748.00
330-NL4-ECC14.	380122	2,357.00
330-NR4-ECC14	380160	2,357.00
330-ND4-ECC14	380184	4,226.00
330-NL4-ECC24	380153	3,551.00
330-NR4-ECC24	380177	3,551.00
330-ND4-ECC24	380191	6,614.00
<b>Vertical-One 4" Side Inlet, 340 Series</b>		
330-NL4-A1	318392	2,483.00
330-NR4-A1	318408	2,483.00
330-ND4-A1	318576	4,099.00
330-NL4-A1-ECC11	431145	2,483.00
330-NR4-A1-ECC11	431152	2,483.00
330-ND4-A1-ECC11	431169	4,099.00
330-NL4-A1-ECC14	380207	2,722.00
330-NR4-A1-ECC14	381365	2,722.00
330-ND4-A1-ECC14	380221	4,577.00
330-NL4-A1-ECC24	380214	3,916.00
330-NR4-A1-ECC24	381372	3,916.00
330-ND4-A1-ECC24	380238	6,965.00

<b>FACEPLATE ASSEMBLIES</b>		
WP300-FP (Standard - 300 Lb)	538684	605.00
WP310-FP (Pre-Fab Style - 300 Lb)	381891	605.00
WP310-LR (Low Rough Style - 300 Lb)	445012	605.00
WP310-HR (High Rough Style - 300 Lb)	383031	606.00
<b>COUPLING PACKAGES (Flanged Style) w/ Hardware</b>		
WP300-7PA	408703	402.00
WP300-11PA	408710	402.00
WP300-14PA	408727	641.00
WP300-24PA	408734	1,835.00
<b>COUPLING PACKAGES (All Thread Style) w/ Hardware</b>		
WP300-6CA	381907	402.00
WP300-14CA	383017	641.00

**CARRIERS**

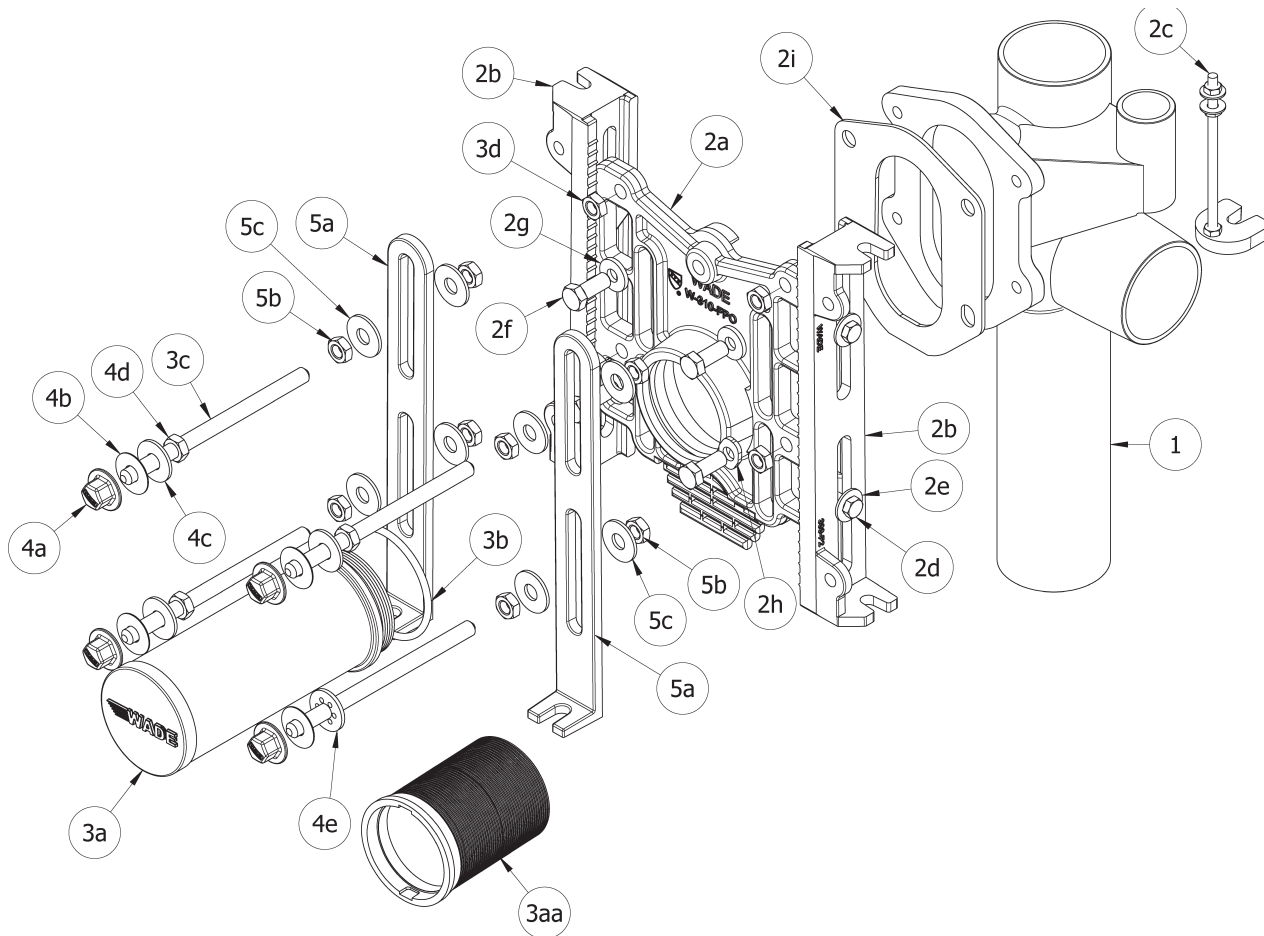
Cat.No. UPC# List Price

<b>Vertical-Two 4" Side Inlets, 340 Series</b>		
330-NL44-A2	318415	2,844.00
330-NR44-A2	318422	2,844.00
330-ND44-A2	318583	4,461.00
330-NL54-A2	318439	3,333.00
330-ND54-A2	318590	4,909.00
330-NL64-A2	318446	3,748.00
330-ND64-A2	318606	5,355.00
330-NL44-A2-ECC11	431206	2,844.00
330-NR44-A2-ECC11	431213	2,844.00
330-ND44-A2-ECC11	431220	4,461.00
330-NL54-A2-ECC11	431237	3,333.00
330-ND54-A2-ECC11	431244	4,909.00
330-NL64-A2-ECC11	431251	3,748.00
330-ND64-A2-ECC11	431268	5,355.00
330-NL44-A2-ECC14.	380245	3,082.00
330-NR44-A2-ECC14	380269	3,082.00
330-ND44-A2-ECC14	380283	4,939.00
330-NL54-A2-ECC14	380306	3,572.00
330-ND54-A2-ECC14	380320	5,386.00
330-NL64-A2-ECC14	380344	3,986.00
330-ND64-A2-ECC14	380368	5,832.00
330-NL44-A2-ECC24	380252	4,277.00
330-NR44-A2-ECC24	380276	4,277.00
330-ND44-A2-ECC24	380290	4,088.00
330-NL54-A2-ECC24	380313	4,766.00
330-ND54-A2-ECC24	380337	7,775.00
330-NL64-A2-ECC24	380351	5,181.00
330-ND64-A2-ECC24	380375	8,221.00
<b>330 NO-HUB FITTINGS ONLY</b>		
Price Does Not Include Faceplate.		
<b>Vertical-No Side Inlet, 330 Series</b>		
WP330-NL4.	500958	1,111.00
WP330-NR4.	500941	1,111.00
WP330-ND4.	525423	1,734.00
<b>Vertical-Two 2" Tapped Side Inlet, 330 Series</b>		
WP330-NL4-AB	362340	1,963.00
WP330-NR4-AB	362357	1,963.00
WP330-ND4-AB.	362364	2,586.00
<b>Vertical-One 4" Side Inlet, 340 Series</b>		
WP330-NL4	525447	1,476.00
WP330-NR4	525454	1,476.00
WP330-ND4	525429	2,085.00
<b>Vertical-Two 4" Side Inlets, 340 Series</b>		
WP330-NL4.	525486	1,837.00
WP330-NR4.	525493	1,837.00
WP330-ND4.	525462	2,447.00
WP330-NL54.	210153	1,982.00
WP330-ND54.	210139	2,546.00
WP330-NL64.	210313	2,429.00
WP330-ND64.	210177	2,997.00

**330-HD Vertical Water Closet Carrier - 500 Lb.**

Item	Product #	UPC	List Price	Qty
<b>Fittings (Vertical)</b>				
1	WP330-C44-A2	210238	2,008.00	1
	WP330-C44-A2-VL	210221	2,008.00	1
	WP330-C4	210085	1,270.00	1
	WP330-C4-VL	210078	1,270.00	1
	WP330-CD44-A1	210184	2,293.00	1
	WP330-CD44-A2	210214	2,663.00	1
	WP330-CD4	210061	1,925.00	1
	WP330-CL44-A1	210191	1,639.00	1
	WP330-CR44-A1	210207	1,639.00	1
	WP330-NR44-A2	525493	1,837.00	1
	WP330-NL44-A2	525486	1,837.00	1
	WP330-NR4	500941	1,111.00	1
	WP330-NL4	500958	1,111.00	1
	WP330-ND44-A1	525429	2,085.00	1
	WP330-ND44-A2	525462	2,447.00	1
	WP330-ND4	525423	1,734.00	1
	WP330-NL44-A1	525447	1,476.00	1
	WP330-NR44-A1	525454	1,476.00	1

Item	Product #	UPC	List Price	Qty
<b>Faceplate Assembly (Adjustable)</b>				
2	WP300HD-Faceplate	455685	913.00	1
<b>Coupling Packages (3a-3d &amp; 4a-e)</b>				
3,4	WP300-7PA	408703	402.00	1
	WP300-6CA	381907	402.00	1
<b>Replacement Parts (Couplings Only)</b>				
3a	WP300-7C	408666	183.00	1
3aa	WP300-FPO-6C	257219	183.00	1
<b>Replacement Parts</b>				
2c	WP300-AF Anchor Foot Assy	233848	202.00	1
2i	G4-4 Faceplate Gasket	445128	69.00	1
3b	GD-53 O-Ring Gasket	407515	22.00	1
3d	18CA Hardware Bag	228264	39.00	1
4a-e	1FA Hardware Bag (4a-f) *	300465	307.00	1
†	G1-M8 Bowl Gasket	246855	51.00	1
†	G1-M8-2 Bowl Gasket (5/8")	264163	138.00	1
†	G1-M9 Bowl Gasket (1")	264164	125.00	1
† Item Not Illustrated * 1FA Hardware Bag Includes G1-M8 Bowl Gasket				

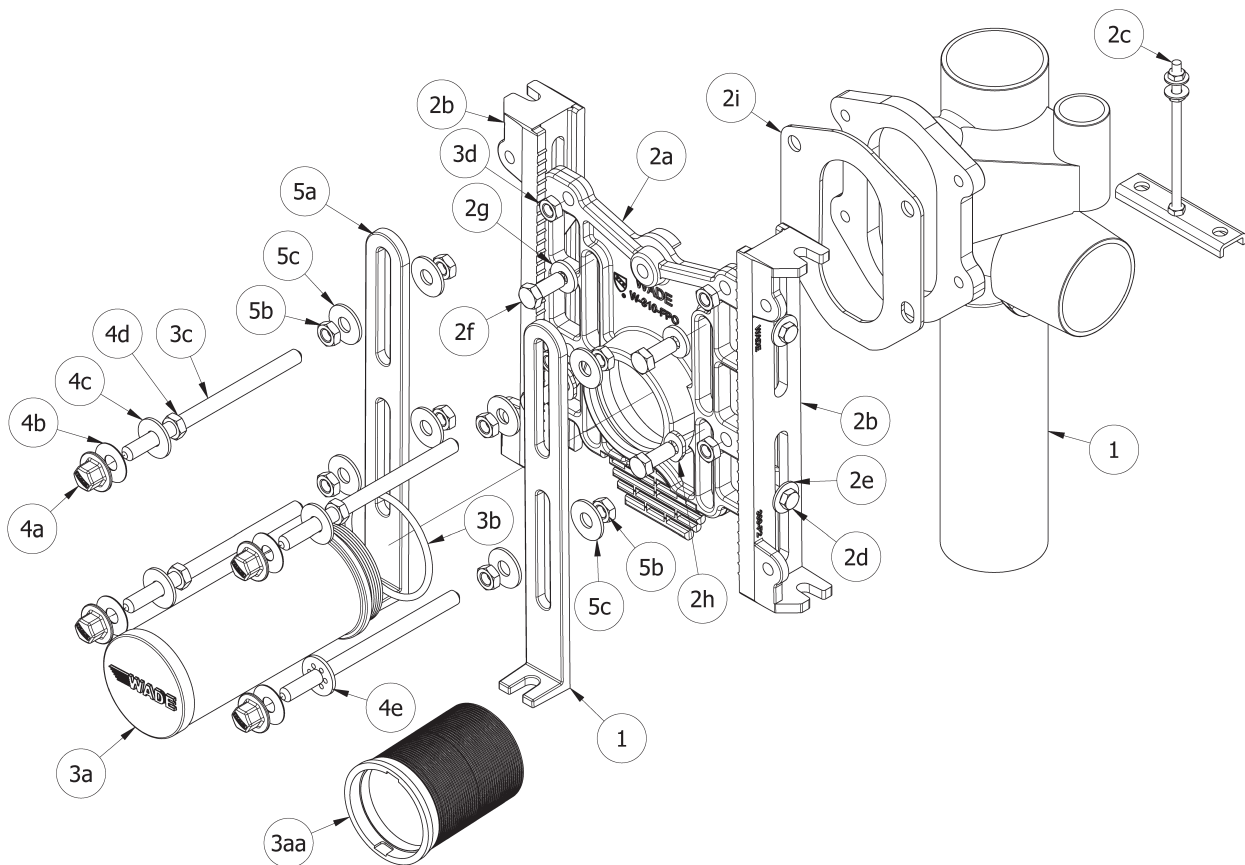


330-XH Vertical Water Closet Carrier - 750 Lb.

Item	Product #	UPC	List Price	Qty
Fittings (Vertical)				
1	WP330-C44-A2	210238	2,008.00	1
	WP330-C44-A2-VL	210221	2,008.00	1
	WP330-C4	210085	1,270.00	1
	WP330-C4-VL	210078	1,270.00	1
	WP330-CD44-A1	210184	2,293.00	1
	WP330-CD44-A2	210214	2,663.00	1
	WP330-CD4	210061	1,925.00	1
	WP330-CL44-A1	210191	1,639.00	1
	WP330-CR44-A1	210207	1,639.00	1
	WP330-N44-A2	525493	1,837.00	1
	WP330-N44-A2-VL	525486	1,837.00	1
	WP330-N4	500941	1,111.00	1
	WP330-N4-VL	500958	1,111.00	1
	WP330-ND44-A1	525429	2,085.00	1
	WP330-ND44-A2	525462	2,447.00	1
	WP330-ND4	525423	1,734.00	1
	WP330-NL44-A1	525447	1,476.00	1
	WP330-NR44-A1	525454	1,476.00	1

Item	Product #	UPC	List Price	Qty
Faceplate Assembly (Adjustable)				
2	WP300XH-Faceplate	455686	2,749.00	1
Coupling Packages (3a-3d & 4a-e)				
3,4	WP300-7C-Kit	408703	402.00	1
	WP300-FPO-6C-Kit	381907	402.00	1
Replacement Couplings				
3a	WP300-7C	408666	183.00	1
3aa	WP300-FPO-6C	257219	183.00	1
Replacement Parts				
2c	WP300-AFXH Anchor Foot Assy	455745	2,489.00	1
2d	G4-4 Faceplate Gasket	445128	69.00	1
3d	GD-53 O-Ring Gasket	407515	22.00	1
3c	18CA Hardware Bag	228264	39.00	1
4a-e	1FA Hardware Bag (4a-f)*	300465	307.00	1
5a-c	M4 Rod Support Assy (5a-c)	233787	379.00	1
†	G1-M8 Bowl Gasket	246855	51.00	1
†	G1-M8-2 Bowl Gasket (5/8")	264163	138.00	1
†	G1-M9 Bowl Gasket (1")	264164	125.00	1

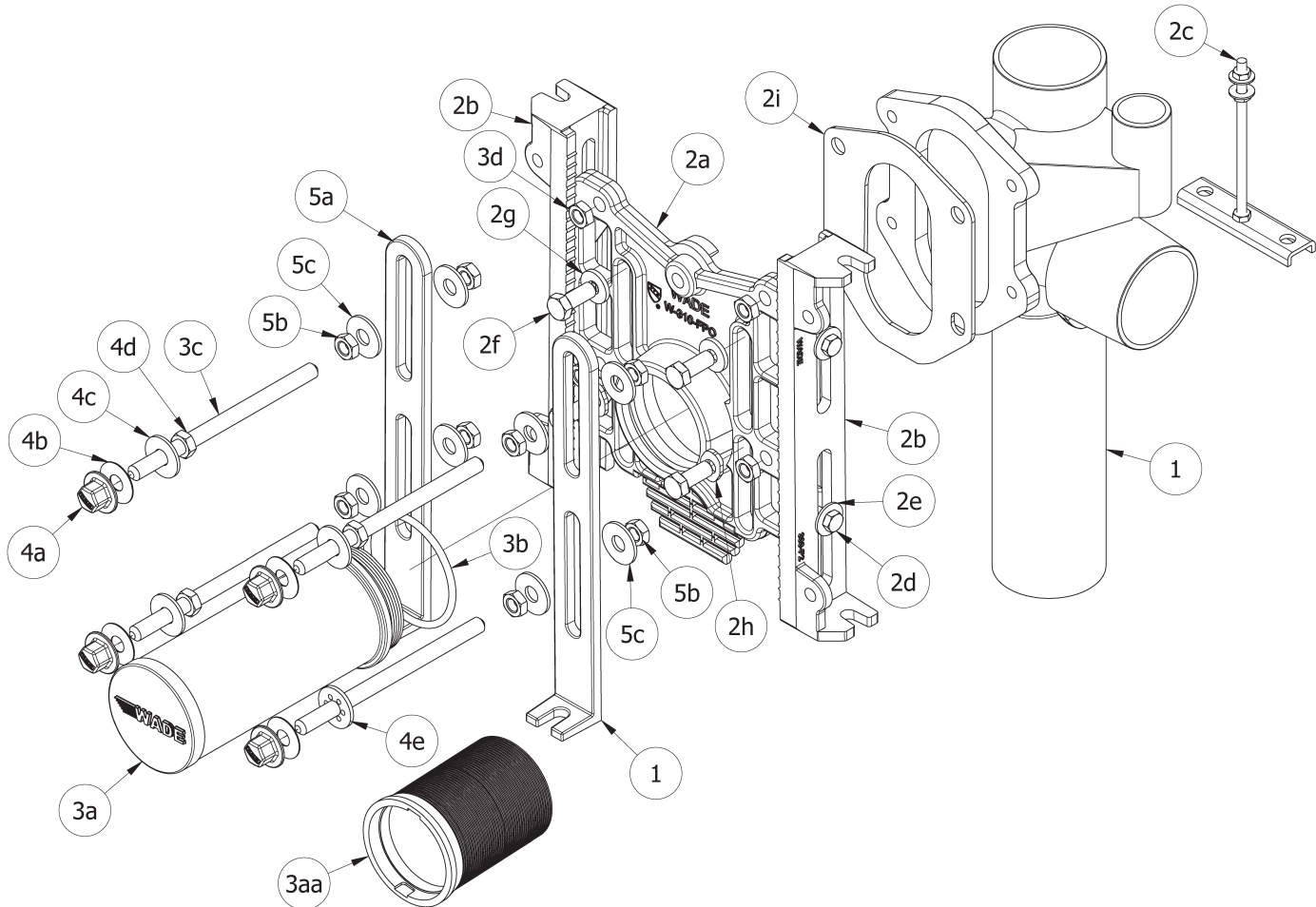
† Item Not Illustrated \* 1FA Hardware Bag Includes G1-M8 Bowl Gasket



**330-XB Vertical Water Closet Carrier - 1,000 Lb.**

Item	Product #	UPC	List Price	Qty
Fittings (Vertical)				
1	WP330-C44-A2	210238	2,008.00	1
	WP330-C44-A2-VL	210221	2,008.00	1
	WP330-C4	210085	1,270.00	1
	WP330-C4-VL	210078	1,270.00	1
	WP330-CD44-A1	210184	2,293.00	1
	WP330-CD44-A2	210214	2,663.00	1
	WP330-CD4	210061	1,925.00	1
	WP330-CL44-A1	210191	1,639.00	1
	WP330-CR44-A1	210207	1,639.00	1
	WP330-NR44-A2	525493	1,837.00	1
	WP330-NL44-A2	525486	1,837.00	1
	WP330-NR4	500941	1,111.00	1
	WP330-NL4	500958	1,111.00	1
	WP330-ND44-A1	525429	2,085.00	1
	WP330-ND44-A2	525462	2,447.00	1
	WP330-ND4	525423	1,734.00	1
	WP330-NL44-A1	525447	1,476.00	1
	WP330-NR44-A1	525454	1,476.00	1

Item	Product #	UPC	List Price	Qty
Faceplate Assembly (Adjustable)				
2	WP300-FP-XH-XB	455686	2,749.00	1
Coupling Packages (3a-3d & 4a-e)				
3,4	WP300-7PA-XB	408713	1,859.00	1
	WP300-6CA-XB	381908	1,859.00	1
Replacement Parts (Couplings Only)				
3a	WP300-7C	408666	183.00	1
3aa	WP300-FPO-6C	257219	183.00	1
Replacement Parts				
2c	WP300-AFXH Anchor Foot Assy	455745	2,489.00	1
2d	G4-4 Faceplate Gasket	445128	69.00	1
3d	GD-53 O-Ring Gasket	407515	22.00	1
3c	18CA Hardware Bag	228264	39.00	1
4a-e	1FA Hardware Bag (4a-f)	300465	307.00	1
5a-c	M4 Rod Support Assy (5a-c)	233787	379.00	1
†	G1-M8 Bowl Gasket	246855	51.00	1
†	G1-M8-2 Bowl Gasket (5/8")	264163	138.00	1
†	G1-M9 Bowl Gasket (1")	264164	125.00	1
† Item Not Illustrated * 1FA Hardware Bag Includes G1-M8 Bowl Gasket				

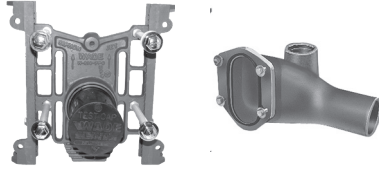


## WOG721

Cat.No.	UPC#	List Price
---------	------	------------

### WATER CLOSET CARRIER ASSEMBLIES

Consists of carrier fitting and faceplate assembly with neoprene gasket, plastic coupling with integral test cap and hardware.



### 310,330 SV COMPLETE ASSEMBLIES

#### Horizontal-Short Barrel, 310 Series

311-CL4	318453	1,921.00
311-CR4	318460	1,921.00
311-CD4	318613	3,593.00
311-CL4-ECC11	430988	1,921.00
311-CR4-ECC11	430995	1,921.00
311-CD4-ECC11	431008	3,593.00
311-CL4-ECC14	380382	2,160.00
311-CR4-ECC14	380405	2,160.00
311-CD4-ECC14	380429	4,071.00
311-CL4-ECC24	380399	3,354.00
311-CR4-ECC24	380412	3,354.00
311-CD4-ECC24	380436	6,459.00

#### Horizontal-Long Barrel, 310 Series

311-CR4-36	361282	2,371.00
311-CL4-36	361299	2,371.00
311-CD4-36	361305	3,920.00
311-CR4-36-ECC11	431015	2,371.00
311-CL4-36-ECC11	431022	2,371.00
311-CD4-36-ECC11	431046	3,920.00
311-CR4-36-ECC14	380443	2,615.00
311-CL4-36-ECC14	380467	2,615.00
311-CD4-36-ECC14	380481	4,402.00
311-CR4-36-ECC24	380450	3,817.00
311-CL4-36-ECC24	380474	3,817.00
311-CD4-36-ECC24	380498	6,809.00

## CARRIERS

Cat.No.	UPC#	List Price
---------	------	------------

### Vertical-No Side Inlet, 330 Series

330-CL4	318477	2,277.00
330-CR4	318484	2,277.00
330-CD4	318620	3,939.00
330-CL4-ECC11	431114	2,277.00
330-CR4-ECC11	431121	2,277.00
330-CD4-ECC11	431138	3,939.00
330-CL4-ECC14	380504	2,516.00
330-CR4-ECC14	380528	2,516.00
330-CD4-ECC14	380542	4,416.00
330-CL4-ECC24	380511	3,710.00
330-CR4-ECC24	380535	3,710.00
330-CD4-ECC24	380559	6,805.00

### Vertical-One 4" Side Inlet, 330-A1 Series

330-CL44-A1	318491	2,645.00
330-CR44-A1	318507	2,645.00
330-CD44-A1	318637	4,305.00
330-CL44-A1-ECC11	431176	2,645.00
330-CR44-A1-ECC11	431183	2,645.00
330-CD44-A1-ECC11	431190	4,305.00
330-CL44-A1-ECC14	380566	2,884.00
330-CR44-A1-ECC14	380580	2,884.00
330-CD44-A1-ECC14	380603	4,783.00
330-CL44-A1-ECC24	380573	4,078.00
330-CR44-A1-ECC24	380597	4,078.00
330-CD44-A1-ECC24	380610	7,171.00

**CARRIERS**

Cat.No.	UPC#	List Price
<b>330 SV COMPLETE ASSEMBLIES</b>		
<b>Vertical-Two 4" Side Inlets, 340 Series</b>		
330-CL44-A2	318514	3,014.00
330-CR44-A2	318521	3,014.00
330-CD44-A2	318644	4,676.00
330-CL44-A2-ECC11	431275	3,014.00
330-CR44-A2-ECC11	431282	3,014.00
330-CD44-A2-ECC11	431299	4,676.00
330-CL44-A2-ECC14	380627	3,254.00
330-CR44-A2-ECC14	380641	3,254.00
330-CD44-A2-ECC14	380665	5,154.00
330-CL44-A2-ECC24	380634	4,447.00
330-CR44-A2-ECC24	380658	4,447.00
330-CD44-A2-ECC24	380672	7,542.00

**FACEPLATE ASSEMBLIES (Less Coupling Package)**

WP300-FP (Standard - 300 Lb)	538684	605.00
WP310-PF (Pre-Fab Style - 300 Lb)	381891	605.00
WP310-LR (Low Rough Style - 300 Lb)	445012	605.00
WP310-HR (High Rough Style - 300 Lb)	383031	606.00

**COUPLING PACKAGES (Flanged Style) w/ Hardware**

WP300-7PA	408703	402.00
WP300-11PA	408710	402.00
WP300-14PA	408727	641.00
WP300-24PA	408734	1,835.00

**COUPLING PACKAGES (All Thread Style) w/ Hardware**

WP300-6CA	381907	402.00
WP300-14CA	383017	641.00

**FACEPLATE ASSEMBLIES WITH COUPLING PACKAGES**

w/ Flanged Style Couplings		
WP300-FP-7PA (Standard - 300 Lb)	300458	1,008.00
WP310-FP-HD-7PA (HD-500 Lb)	455683	1,314.00
WP310-FP-XH-7PA (XH-750 Lb)	455690	3,003.00
WP310-FP-XB-7PA (XB-1,000 Lb)	455706	4,609.00

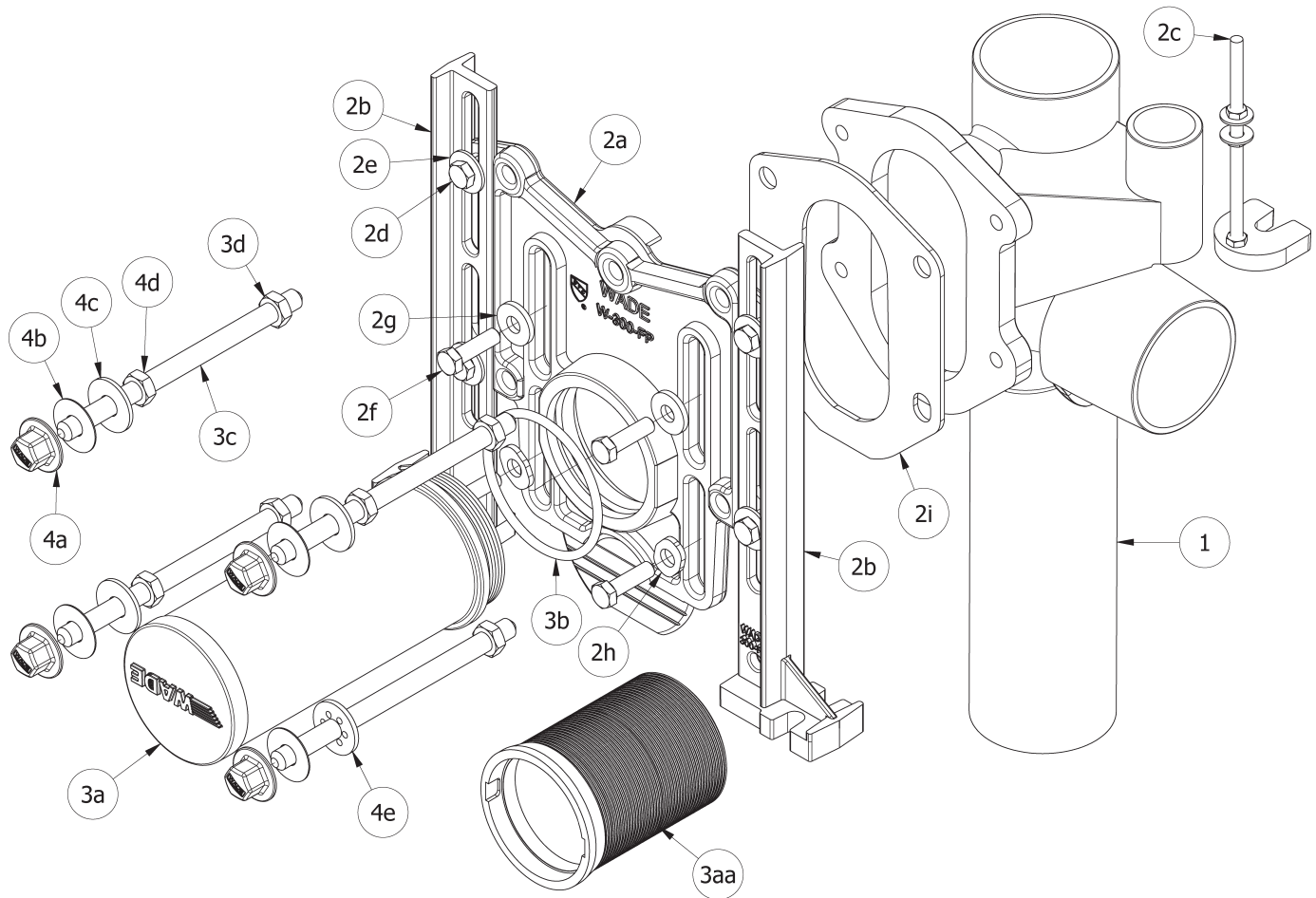
**FACEPLATE ASSEMBLIES WITH COUPLING PACKAGES**

w/ O-ring Style All Thread Couplings		
WP300-FP-6CA (Standard - 300 Lb)	381884	1,008.00
WP310-FP-HD-6CA (HD-500 Lb)	455713	1,314.00
WP310-FP-XH-6CA (XH-750 Lb)	455720	3,003.00
WP310-FP-XB-6CA (XB-1,000 Lb)	455737	4,609.00

**WOG721**

Cat.No.	UPC#	List Price
<b>330, 340 SV FITTINGS ONLY</b>		
Price Does Not Include Faceplate: Order Separately		
<b>Horizontal-Short Barrel, 310 Series</b>		
Body WP311-CL4-FITTING	209980	914.00
WP311-CR4-FITTING	209997	914.00
WP311-CD4 FITTING	209973	1,579.00
<b>Horizontal-Long Barrel, 310 Series</b>		
Body WP311-CL4-36-Fitting	257332	1,363.00
WP311-CR4-36-Fitting	257349	1,363.00
WP311-CD4-36-Fitting	257325	1,906.00
<b>Vertical-No Side Inlet, 330 Series</b>		
Body WP330-C4-VL-FITTING	210078	1,270.00
WP330-C4-FITTING	210085	1,270.00
WP330-CD4-FITTING	210061	1,925.00
<b>Vertical-Two 2" Tapped Side Inlet, 330 Series</b>		
Body 330SCVL-AB, Adj. Sgl.	362371	2,123.00
330SCVR-AB, Adj. Sgl.	362388	2,123.00
330SCD-AB, Adj. Dbl.	362395	2,352.00
<b>Vertical-One 4" Side Inlet, 340 Series</b>		
Body WP330-CL44-A1-FITTING	210191	1,639.00
WP330-CR44-A1-FITTING	210207	1,639.00
WP330-CD44-A1-FITTING	210184	2,293.00
<b>Vertical-Two 4" Side Inlets, 340 Series</b>		
Body WP330-C44-A2-VP-FITTING	210221	2,008.00
WP330-C44-A2-FITTING	210238	2,008.00
WP330-CD44-A2-FITTING	210214	2,663.00
340ASCVL5, Adj. Sgl.	210146	2,426.00
340ASCD5, Adj. Dbl.	210122	3,040.00
340ASCVL6, Adj. Sgl.	210306	2,864.00
340ASCD6, Adj. Dbl.	210160	3,484.00
340ANHD6, Adj. Dbl.	210177	2,997.00

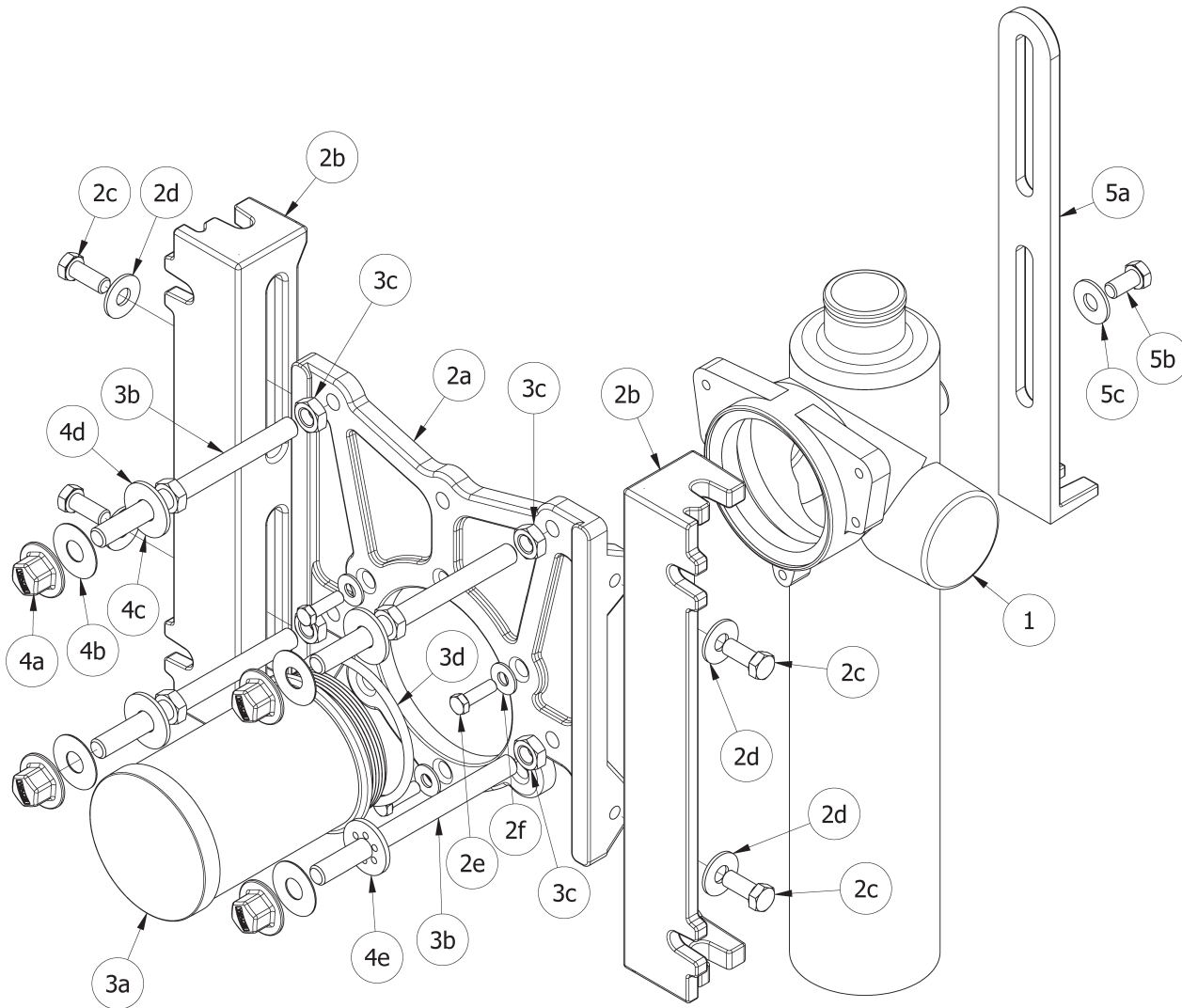
**For Options See Page 29**



### 350 Vertical Water Closet Carrier (On Stack Vent)

Item	Product #	UPC	List Price	Qty
Fittings (Horizontal)				
1	WP350-C4-Fitting	210320	719.00	1
	WP350-N2-Fitting	378822	678.00	1
	WP350-N4-Fitting	379867	678.00	1
Faceplate Assembly (Adjustable)				
2,5	WP350/360-Faceplate	376903	605.00	1
Coupling Packages (3a-3d & 4a-e)				
3,4	WP300-7PA	408703	402.00	1
	WP300-11PA	408710	402.00	1
	WP300-14PA	408727	641.00	1
	WP300-24PA	408734	1,835.00	1
Rear Anchor Foot Assembly (5a-5c)				
5	WP360-AF	233824	112.00	1

Item	Product #	UPC	List Price	Qty
Replacement Parts (Couplings Only)				
3a	WP300-7C	408666	183.00	1
	WP300-11C	408673	241.00	1
	WP300-14C	408680	392.00	1
	WP300-24C	408697	1,412.00	1
Replacement Parts				
3c	18CA Hardware Bag	228264	39.00	1
3d	GD-53 O-Ring Gasket	407515	22.00	1
4a-e	1FA Hardware Bag (4a-f) *	300465	307.00	1
†	G1-M8 Bowl Gasket	246855	51.00	1
†	G1-M8-2 Bowl Gasket (5/8")	264163	138.00	1
†	G1-M9 Bowl Gasket (1")	264164	125.00	1
† Item Not Illustrated * 1FA Hardware Bag Includes G1-M8 Bowl Gasket				





350 NO-HUB COMPLETE ASSEMBLIES

**Single No-Hub Fixed**

350-N2	318729	1,685.00
350-N2-JJ	347484	2,539.00
350-N2-ECC11	431343	1,685.00
350-N2-JJ-ECC11	431350	2,539.00
350-N2-ECC14	380764	1,924.00
350-N2-JJ-ECC14	380788	2,778.00
350-N2-ECC24	380771	3,118.00
350-N2-JJ-ECC24	380795	3,972.00
350-N4	318736	1,685.00
350-N4-JJ	347491	2,539.00
350-N4-ECC11	431367	1,685.00
350-N4-JJ-ECC11	431374	2,539.00
350-N4-ECC14	380801	1,924.00
350-N4-JJ-ECC14	380825	2,778.00
350-N4-ECC24	380818	3,118.00
350-N4-JJ-ECC24	380832	3,972.00

**Single SV Fixed (Vent on Stack)**

350-C4	318828	1,726.00
350-C4-JJ	347477	2,580.00
350-C4-ECC11	431503	1,726.00
350-C4-JJ-ECC11	431510	2,580.00
350-C4-ECC14	381082	1,965.00
350-C4-JJ-ECC14	381105	2,819.00
350-C4-ECC24	381099	3,159.00
350-C4-JJ-ECC24	381112	4,013.00

350 NO-HUB & SV FITTINGS ONLY

Price Does Not Include Faceplate: Order Separately  
Fixed vertical vent on stack, for one-floor single-fixture.

Cat.No.	Pipe Size	Vent Size	UPC#	List Price
<b>Single No-Hub Fittings</b>				
WP350-N2	4	2	378822	678.00
WP350-N4	4	4	379867	678.00
WP350-N2-JJ	4	2	350736	1,529.00
WP350-N4-JJ	4	4	350743	1,529.00

**Single SV Fittings**

WP350-C4	4	4	210320	719.00
WP350-C4-JJ	4	4	350750	1,571.00

**FACEPLATE ASSEMBLIES (350-360 Series)**

WP360-FP (Standard - 300 Lb)	376903	605.00
------------------------------	--------	--------

**COUPLING PACKAGES (Flanged Style) w/ Hardware**

WP300-7PA	408703	402.00
WP300-11PA	408710	402.00
WP300-14PA	408727	641.00
WP300-24PA	408734	1,835.00

**COUPLING PACKAGES (All Thread Style) w/ Hardware**

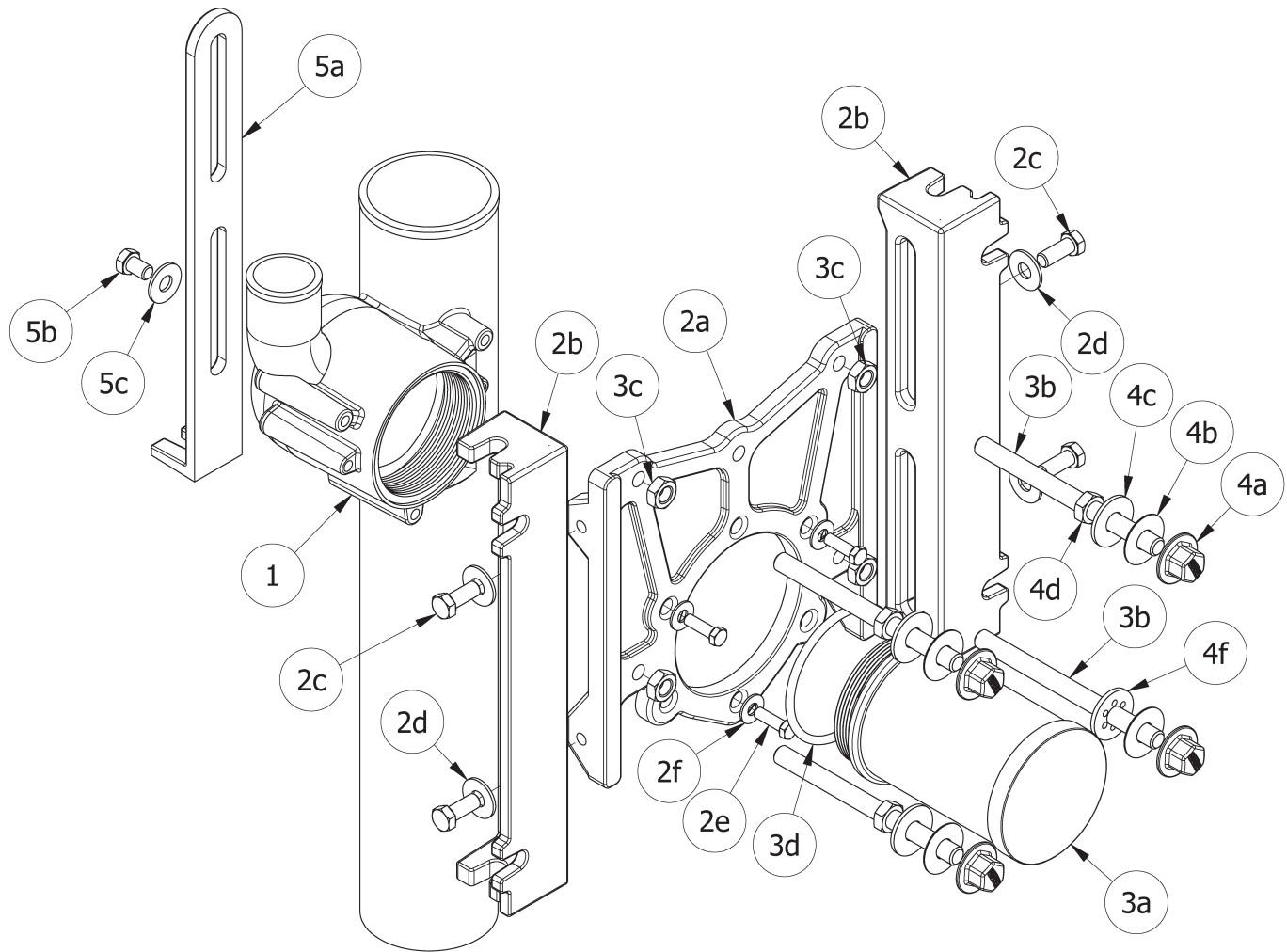
WP300-6CA	381907	402.00
WP300-14CA	383017	641.00

**For Options See Page 25**

**360 Vertical Water Closet Carrier (Offset Vent)**

Item	Product #	UPC	List Price	Qty
Fittings (Horizontal)				
1	WP360-CD4-Fitting	210375	944.00	1
	WP360-CL4-Fitting	210382	719.00	1
	WP360-CR4-Fitting	210399	719.00	1
	WP360-ND4-Fitting	018216	854.00	1
	WP360-NL4-Fitting	018285	664.00	1
	WP360-NR4-Fitting	018278	664.00	1
Faceplate Assembly (Adjustable)				
2,5	WP350/360-Faceplate	376903	605.00	1
Coupling Packages (3a-3d & 4a-e)				
3,4	WP300-7PA	408703	402.00	1
	WP300-11PA	408710	402.00	1
	WP300-14PA	408727	641.00	1
	WP300-24PA	408734	1,835.00	1
Rear Anchor Foot Assembly (5a-5c)				
5	WP360-AF	233824	112.00	1
Replacement Parts (Couplings Only)				
3a	WP300-7C	408666	183.00	1
	WP300-11C	408673	241.00	1
	WP300-14C	408680	392.00	1
	WP300-24C	408697	1,412.00	1
	WP300-FPO-6C-Coupling	257219	183.00	1
	WP300-FPO-14C-Coupling	257226	335.00	1
Replacement Parts				
3c	18CA Hardware Bag	228264	39.00	1
3d	GD-53 O-Ring Gasket	407515	22.00	1
4a-e	1FA Hardware Bag (4a-f) *	300465	307.00	1
†	G1-M8 Bowl Gasket	246855	51.00	1
†	G1-M8-2 Bowl Gasket (5/8")	264163	138.00	1
†	G1-M9 Bowl Gasket (1")	264164	125.00	1
† Item Not Illustrated * 1FA Hardware Bag Includes G1-M8 Bowl Gasket				

### 360 Vertical Water Closet Carrier (Offset Vent)



CARRIERS

WOG721

Cat.No.	UPC#	List Price
---------	------	------------

**360 NO-HUB COMPLETE ASSEMBLIES**

Single No-Hub Fixed		
360-NL	318743	1,671.00
360-NR	318750	1,671.00
360-NR-X8.5	318774	2,097.00
360-NL-X8.5	318767	2,097.00
360-NL-Z45	318781	2,097.00
360-NR-Z45	318798	2,097.00
360-NR-X8.5-Z45	318811	2,523.00
360-NL-X8.5-Z45	318804	2,523.00
360-NL-ECC11	431381	1,671.00
360-NR-ECC11	431398	1,671.00
360-NR-X8.5-ECC11	431404	2,097.00
360-NL-X8.5-ECC11	431411	2,097.00
360-NL-Z45, 11	431428	2,097.00
360-NR-Z45, 11	431435	2,097.00
360-NR-X8.5-Z45-ECC11	431459	2,523.00
360-NL-X8.5-Z45-ECC11	431442	2,523.00
360-NL-ECC14	380849	1,909.00
360-NR-ECC14	380863	1,909.00
360-NL-X8.5-ECC14	380887	2,336.00
360-NR-X8.5-ECC14	380900	2,336.00
360-NL-Z45-ECC14	380924	2,336.00
360-NR-Z45-ECC14	380948	2,336.00
360-NL-X8.5-Z45-ECC14	380962	2,336.00
360-NR-X8.5-Z45-ECC14	380986	2,336.00
360-NL-JJ-ECC24	380856	3,956.00
360-NR-ECC24	380870	3,104.00
360-NL-X8.5-ECC24	380894	3,531.00
360-NR-X8.5-ECC24	380917	3,531.00
360-NL-Z45-ECC24	380931	3,531.00
360-NR-Z45-ECC24	380955	3,531.00
360-NL-X8.5-Z45-ECC24	380979	3,956.00
360-NR-X8.5-Z45-ECC24	380993	3,956.00

**Single SV Fixed (Vent Offset)**

360-CL	318835	1,726.00
360-CR	318859	1,726.00
360-CL-JJ	318842	2,578.00
360-CR-JJ	318866	2,578.00
360-CL-ECC11	431527	1,726.00
360-CR-ECC11	431534	1,726.00
360-CL-JJ-ECC11	431541	2,578.00
360-CR-JJ-ECC11	431558	2,578.00
360-CL-ECC14	381129	1,965.00
360-CR-ECC14	381143	1,965.00
360-CL-JJ-ECC14	381167	2,817.00
360-CR-JJ-ECC14	381181	2,817.00
360-CL-ECC24	381136	3,159.00
360-CR-ECC24	381150	3,159.00
360-CL-JJ-ECC24	381174	3,972.00
360-CR-JJ-ECC24	381198	4,011.00

**Double SV Fixed**

360-CD	318910	2,958.00
360-CD-JJ	318927	3,771.00
360-CD, 11	431565	2,958.00
360-CD-JJ-ECC11	431572	
3,771.00360-CD-ECC14	381204	3,197.00
360-CD-JJ-ECC14	381228	4,010.00
360-CD-ECC24	381211	5,826.00
360-CD-JJ-ECC24	381235	6,638.00

**Double No-Hub Fixed**

360-ND	318873	2,867.00
--------	--------	----------

Cat.No.	UPC#	List Price
---------	------	------------

360-ND-X8.5	318880	3,294.00
360-ND-Z45	318897	3,294.00
360-ND-X8.5-Z45	318903	3,720.00
360-ND, 11	431466	2,867.00
360-ND-X8.5-ECC11	431473	3,294.00
360-ND-Z45-ECC11	431480	3,294.00
360-ND-X8.5-Z45-ECC11	431497	3,720.00
360-ND-ECC14	381006	3,345.00
360-ND-X8.5-ECC14	381020	3,771.00
360-ND-Z45-ECC14	381044	3,771.00
360-ND-X8.5-Z45-ECC14	381068	4,197.00
360-ND-ECC24	381013	5,734.00
360-ND-X8.5-ECC24	381037	4,000.00
360-ND-Z45-ECC24	381051	6,160.00
360-ND-X8.5-Z45-ECC24	381075	6,586.00

X8.5 = 2-in. 90° outlet opposite vent, 8 1/2-in. from top.  
Z45 = 2-in. Wye outlet under vent, 16-in. from top.

**Double SV Offset Fittings**

WP360-CL	4	2L	210382	719.00
WP360-CL-JJ	4	2L	301097	1,574.00
WP360-CR	4	2R	210399	719.00
WP360-CR-JJ	4	2L	301103	1,574.00

**Double SV Offset Fitting**

WP360-CD	4	2	210375	944.00
WP360-CD-JJ	4	2	301110	1,799.00

**360 NO-HUB FITTINGS ONLY**  
For fixtures on common vertical stack

Cat.No.	Pipe Size	Vent Size	UPC#	List Price
---------	-----------	-----------	------	------------

**Single No-Hub Offset Fittings**

WP360-NL4	4	2L	018285	664.00
WP360-NR4	4	2R	018278	664.00
WP360-NL-X8.5	4	2L	018308	1,091.00
WP360-NR-X8.5	4	2R	018292	1,091.00
WP360-NL-Z45	4	2L	018346	1,091.00
WP360-NR-Z45	4	2R	018322	1,091.00
WP360-NL-X8.5-Z45	4	2L	018384	1,323.00
WP360-NR-X8.5-Z45	4	2R	018377	1,518.00

**Double No-Hub Offset Fittings**

WP360-ND	4	2	018216	854.00
WP360-ND-X8.5	4	2	018193	1,282.00
WP360-ND-Z45	4	2	018223	1,282.00
WP360-ND-X8.5 Z45	4	2	018179	1,710.00

**FACEPLATE ASSEMBLIES (350-360 Series)**

WP360-FP (Standard - 300 Lb)	376903	605.00
------------------------------	--------	--------

**COUPLING PACKAGES (Flanged Style) w/ Hardware**

WP300-7PA	408703	402.00
WP300-11PA	408710	402.00
WP300-14PA	408727	641.00
WP300-24PA	408734	1,835.00

**COUPLING PACKAGES (All Thread Style) w/ Hardware**

WP300-6CA	381907	402.00
WP300-14CA	383017	641.00

**FACEPLATE ASSEMBLIES WITH COUPLING PACKAGES**

w/ Flanged Style Couplings

WP360-FP-7PA (Standard - 300 Lb) .....	300458.....	1,008.00
WP360-FP-HD-7PA (HD-500 Lb) .....	455683.....	1,314.00
WP360-FP-XH-7PA (XH-750 Lb).....	455690.....	3,003.00
WP360-FP-XB-7PA (XB-1,000 Lb).....	455706.....	4,609.00

**FACEPLATE ASSEMBLIES WITH COUPLING PACKAGES  
w/ O-ring Style All Thread Couplings**

WP360-FP-6CA (Standard - 300 Lb).....	381884.....	1,008.00
WP360-FP-HD-6CA (HD-500 Lb).....	455713.....	1,314.00
WP360-FP-XH-6CA (XH-750 Lb).....	455720.....	3,003.00
WP360-FP-XB-6CA (XB-1,000 Lb).....	455737.....	4,609.00

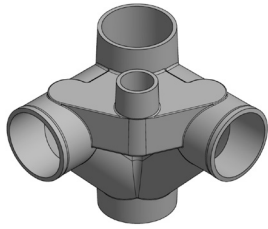
**OPTIONS**

Cat. No.	UPC#	List Price
WP300-M3 Vandal Proof Hardware .....	300472 .....	160.00
WP300-M3-M14 Vandal Proof (FMBO).....	300953 .....	346.00
WP300-M5 Wrench for Vandal Proof Hardware.....	228684 .....	177.00
WP300-M14 Floor Mount Back Outlet (311,330)* .....	300519 .....	402.00
WP300-M14-7C Floor Mount Back Outlet (350,360).....	425250 .....	823.00
WP300-M14-11C Floor Mount Back Outlet (350,360).....	425403 .....	225.00
WP300-M14-14C Floor Mount Back Outlet (350,360).....	425410 .....	1,180.00
WP300-M14-24C Floor Mount Back Outlet (350,360).....	425427 .....	2,371.00
WP300-AM1 Flush Valve Piping Support .....	233770 .....	105.00
WP300-AM21 Tile Finishing Frame.....	228769 .....	100.00
WP300-AM22 Test Cap.....	385936 .....	129.00
M4 Rod Support Feet.....	233787 .....	379.00
M26 C.I. Coupling 3.5" .....	300526.....	402.00
M26 C.I. Coupling 4" .....	300533 .....	402.00
M26 C.I. Coupling 6" .....	300977 .....	402.00
M26 C.I. Coupling 8" .....	300557 .....	402.00
M26 C.I. Coupling 10" .....	300571 .....	402.00
M26 C.I. Coupling 12" .....	300595 .....	402.00
M26 C.I. Coupling 14" .....	300618 .....	639.00
M26 C.I. Coupling 16" .....	300625 .....	879.00
M26 C.I. Coupling 18" .....	300632 .....	1,118.00
Adaptor, 374, 2x2 Vent for -UA).....	406174 .....	387.00
Adaptor, 374, 3X2 Vent for -UA .....	420316 .....	387.00
M15 Coupling Wrench (Flange Style).....	455554.....	129.00
M17 Coupling Wrench(All Thread Style) .....	455561 .....	129.00
M16 Auxiluary Faceplate (FMBO) .....	459514 .....	607.00
M35 Coupling Cut Off Template .....	228695 .....	301.00

CARRIERS

WOG721

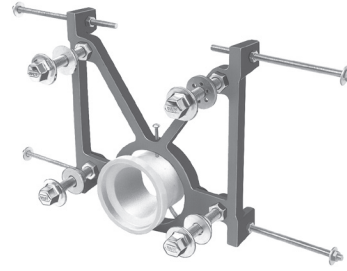
Cat.No. UPC# List Price



**362 PENAL FIXTURE FITTING**

362-N4	533092	1,934.00
362-N4-A1	376999	2,361.00

Cat.No. UPC# List Price



**380 RESIDENTIAL CLOSET CARRIERS**

For wood construction, with adapter for PVC piping.

Cat. No.	Pipe Size	UPC#	List Price
380P3	3	234043	793.00
380P4	4	234074	989.00

**OPTIONS**

M2 Foot Support for slab construction	301172	422.00
WP300-M3 Hardware	300472	160.00

**REPLACEMENT PARTS**

For 380 Series

Replacement Part	UPC#	List Price
M12A - To Fit P3	228738	241.00
M12D - To Fit P4	228745	259.00

**WOG721**

Cat.No. UPC# List Price

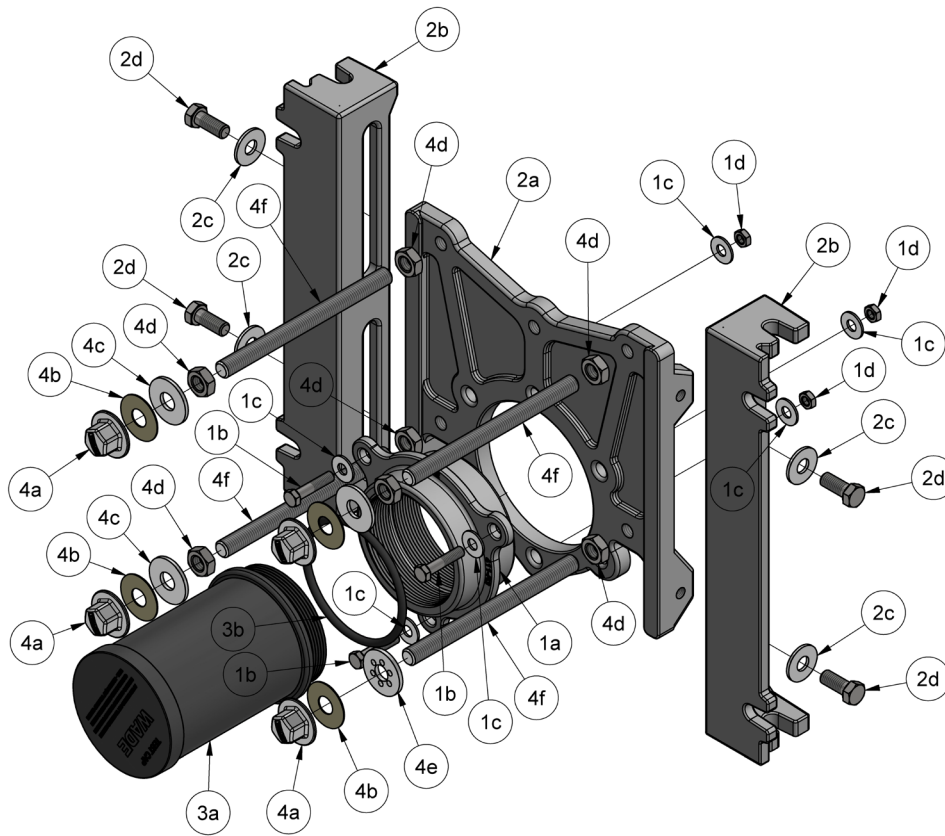
**397 WALL CARRIER ASSEMBLIES**

7" Closet carrier with coupling and 4" waste connection.

Cat. No.	Pipe Size	UPC#	List Price
397.....	4.....	234081.....	1,015.00

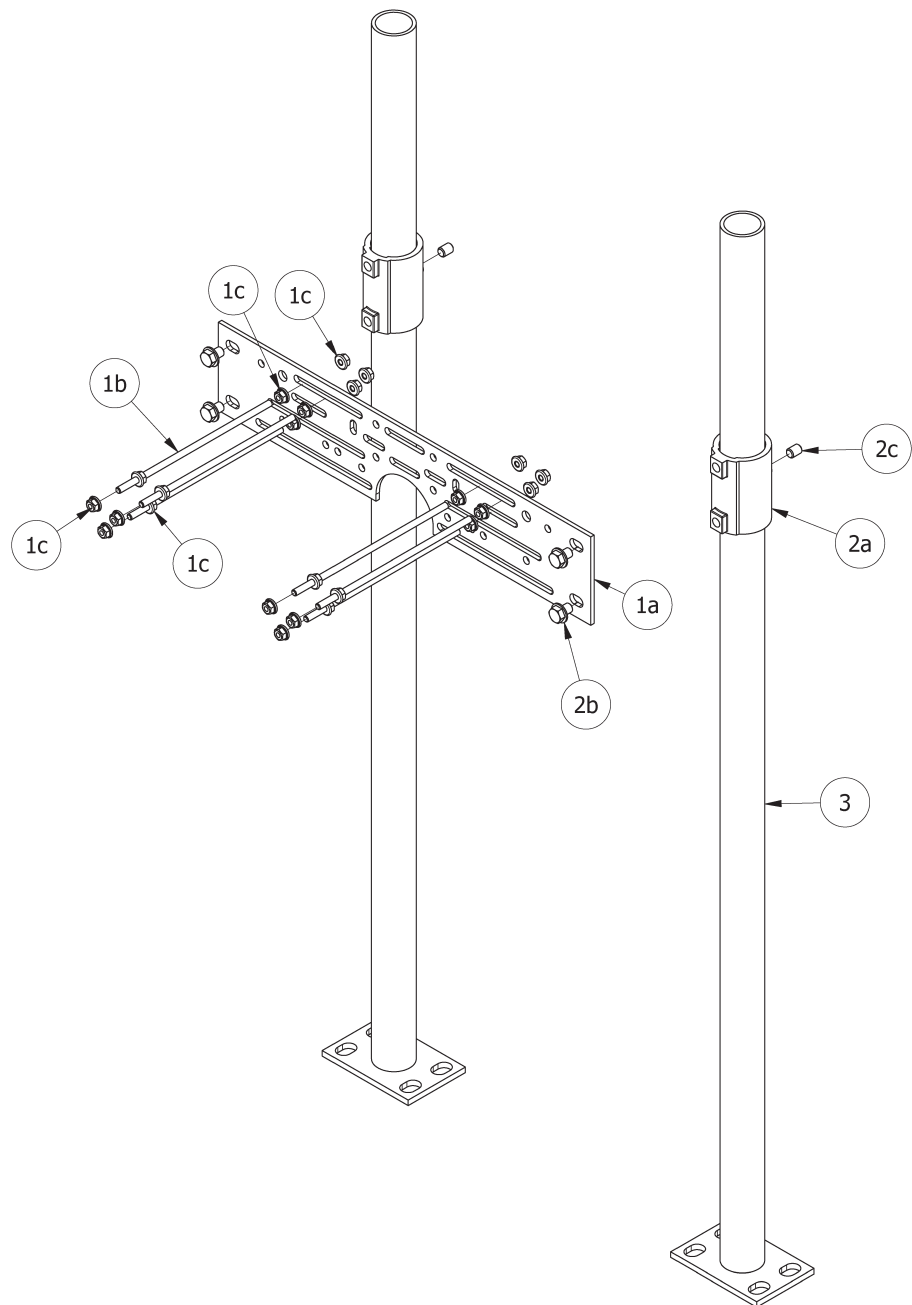
**CARRIERS**

Cat.No. UPC# List Price



401 Urinal Carrier

Item	Product #	UPC	List Price	Qty
Plate Kit With Hardware (1a-1c)				
1	WP415-U8	415400	218.00	1
Support Kit (2a-2c) 2 Header Couplings				
2	WP400-2R (Round)	544043	203.00	1
	WP400-2S (square)	544081	203.00	1
Uprights - Standard is 47 inch				
3	UPRIGHT PU-22-36 (Square)	423829	231.00	2
	UPRIGHT PU-22-47 (Square)	406419	231.00	2
	UPRIGHT PU-2F36 (Round)	227434	231.00	2
	UPRIGHT PU-1F47 (Round)	227410	231.00	2





**401 URINAL CARRIERS COMPLETE ASSEMBLIES**

Hanger plate carrier for urinals, lavatories, drinking fountains and water coolers.

Cat. No.	Description	UPC#	List Price
401 415-U8.....	401 WITH 415-U8 LOOSE KIT .....	411176.....	883.00
401 415-U8.....	401 WITH 415-U8 BOXED ASSEMBLY.....	411178.....	883.00
401-M36 415-U8.....	401-M36 WITH 415-U8 PLATE LOOSE KIT .....	411183.....	883.00
401-M36 415-U8.....	401-M36 WITH 415-U8 PLATE BOXED ASSEMBLY .....	411185.....	883.00
401-M36 449-U11.....	401-M36 WITH 449-U11 PLATE LOOSE KIT .....	411203 .....	883.00
401-M36 449-U11.....	401-M36 WITH 449-U11 PLATE BOXED ASSEMBLY.....	411187.....	883.00
401-M36 411-U9.....	401-M36 WITH PLATES 411-U9 LOOSE KIT .....	411190.....	883.00
401-D 415-U8.....	401-D WITH 415-U8 LOOSE KIT .....	302628 .....	1,170.00
401-D-M36 415-U8.....	401-D-M36 WITH 415-U8 LOOSE KIT .....	405985 .....	1,170.00
401-D-M36 449-U11 .....	401-D-M36 WITH 449-U11 LOOSE KIT .....	405987 .....	1,170.00

**401 With AM1**

401-AM-1 415-U8.....	401-AM1 WITH 415-U8 LOOSE KIT.....	411216 .....	988.00
----------------------	------------------------------------	--------------	--------

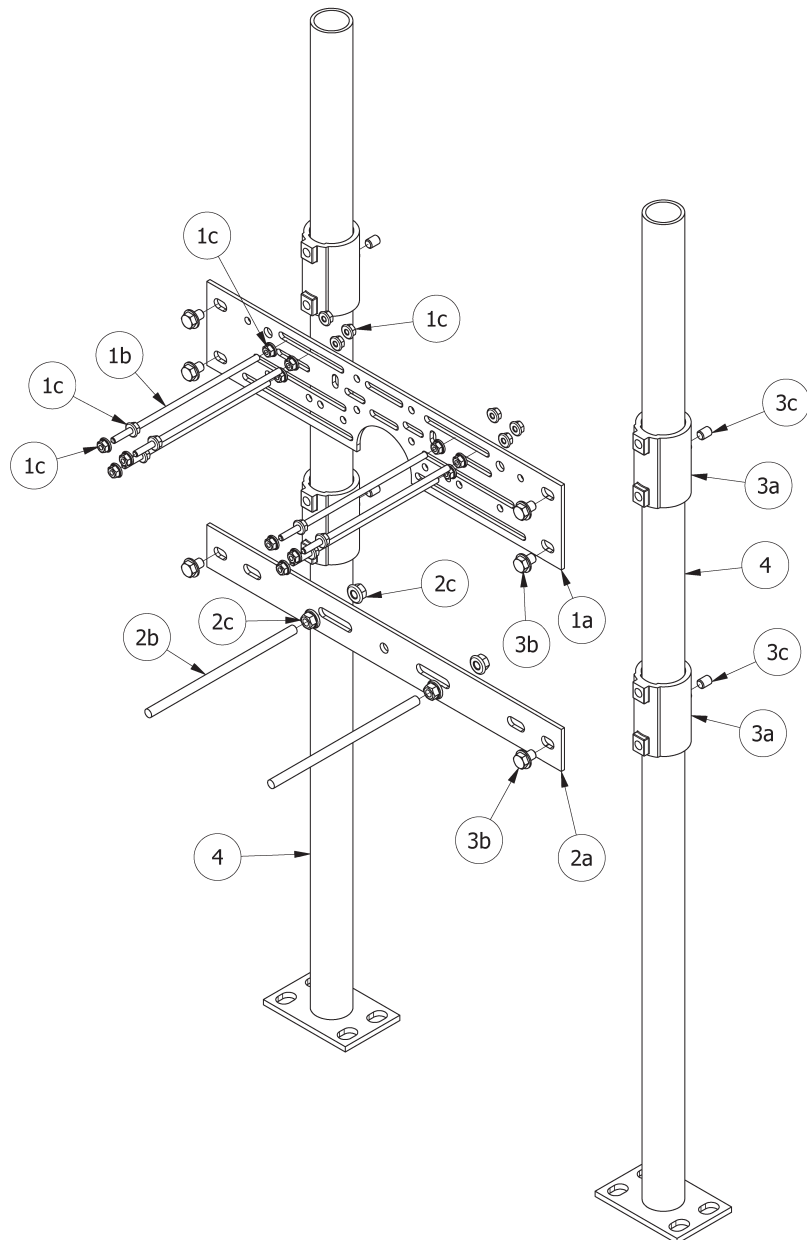
**401 Meets BAA Requirements**

401 415-U8 BAA.....	401 WITH 415-U8 BAA LOOSE KIT .....	411177.....	883.00
401-M36 415-U8 BAA.....	401-M36 WITH 415-U8 BAA-ST3 LOOSE KIT .....	411300 .....	883.00
401-AM1 415-U8 BAA.....	401-AM1 WITH 415-U8 BAA LOOSE KIT.....	411210 .....	988.00

Above assemblies fit most fixture manufacturer's urinals. Consult Carrier Selector Guide for specific fixtures.

### 402 Urinal Carrier with Bearing Support

Item	Product #	UPC	List Price	Qty
Plate Kit With Hardware (1a-1c) & (2a-2c)				
1	WP415-U8	415400	218.00	1
2	WP417-U8	417400	218.00	1
Support Kit (3a-3c) 2 Header Couplings				
3	WP400-2R (Round)	544043	203.00	2
	WP400-2S (square)	544081	203.00	2
Uprights Standard is 47 inch				
4	UPRIGHT PU-22-36 (Square)	423829	231.00	2
	UPRIGHT PU-22-47 (Square)	406419	231.00	2
	UPRIGHT PU-2F-36 (Round)	227434	231.00	2
	UPRIGHT PU-1F-47 (Round)	227410	231.00	2



**402 URINAL CARRIERS COMPLETE ASSEMBLIES**

Hanger plate carrier for urinals, lavatories, drinking fountains and water coolers.

Cat. No.	Description	Part No.	List Price
402 415-U8	402 WITH 415-U8 & 417-U8 PLATES LOOSE KIT	411208	987.00
402 415-U8	402 415-U8/417-U8 BOXED	411217	987.00
402-M36 415-U8	402-M36 415-U8/417-U8 LOOSE KIT	411215	987.00
402-M36 415-U8	402-M36 WITH 415-U8 & 417-U8 BOXED	328890	987.00
402-M36 449-U11	402-M36-449-U11A/417/08 LOOSE KIT	411191	987.00
402-M36	402-U11A/417-U8 LOOSE KIT	411194	987.00
402-M36 449-U11	402-M36 449-U11/417-U8 BOXED	411196	987.00
402-M36 460-U11	402-M36 WITH 460-U11 & 417-U8 PLATES LOOSE KIT	486752	987.00
402-M36 496-U8	402-M36 WITH 496-U8 & 417-U8 LOOSE KIT	411299	987.00
402-D 415-U8	402-D 415-U8/417-U8 LOOSE KIT	332527	1,376.00
402-D-M36 415-U8	402-D-M36 WITH 415-U8/417-U8 PLATE LOOSE KIT	330239	1,376.00
402-D-M36 449-U11	402-D-M36 WITH 449-U11/417-U8 PLATE LOOSE KIT	330241	1,376.00

**402 With AM1**

402-AM1	402-AM1 BOXED	411218	1,092.00
402-AM1	402-AM1 LOOSE KIT	411224	1,092.00
402-M36-AM1	402-AM1-M36 BOXED	411219	1,092.00
402-M36-AM1	402-AM1-M36 LOOSE KIT	411268	1,092.00

**402 With AM12**

402-AM12 454-U11	402-AM12 WITH PLATES 454-U11 WH6740 BAR LOOSE KIT	411269	1,547.00
402-AM12 454-U11	402-AM12 WITH PLATES 454-U11 WH3740 BAR LOOSE KIT	411270	1,547.00

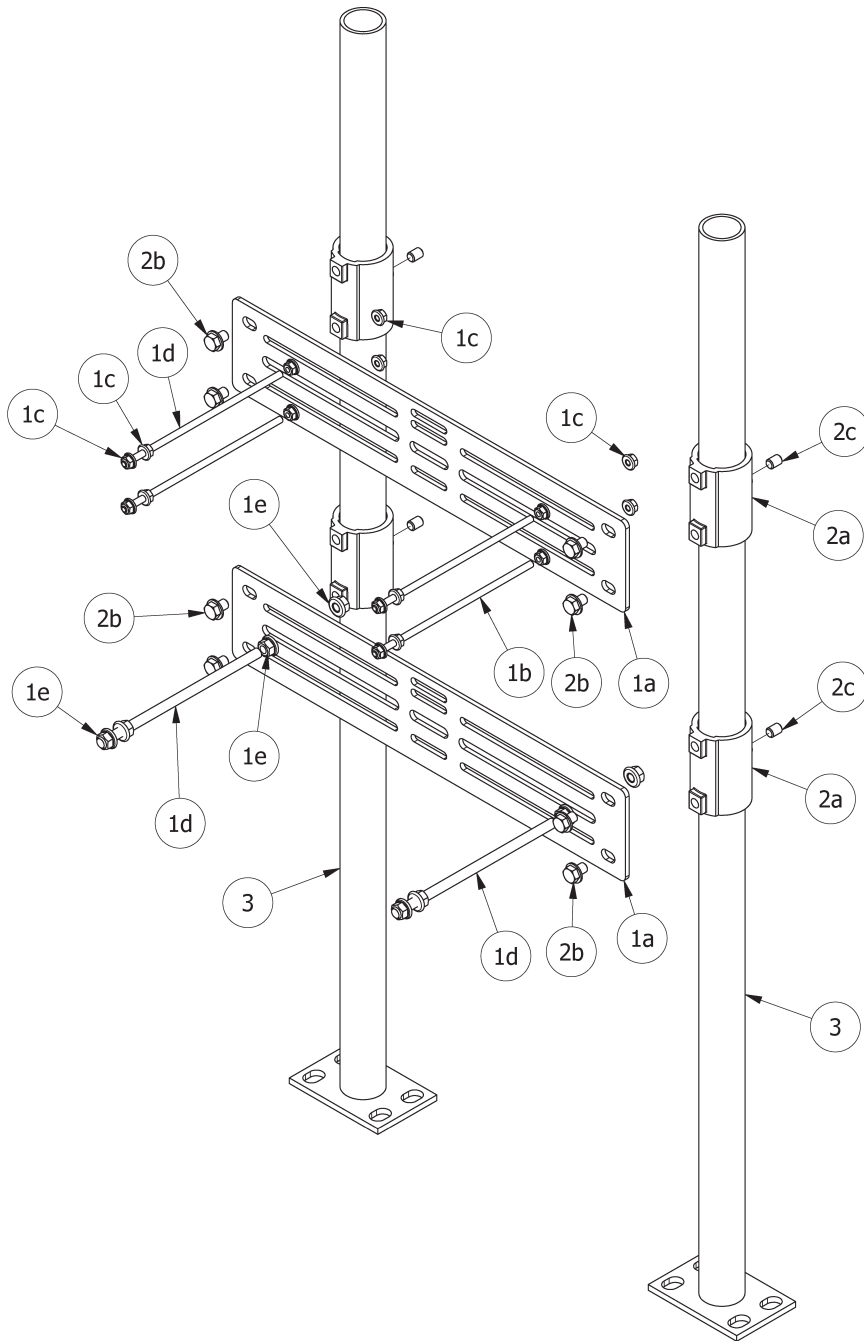
**402 Meets BAA Requirements**

402-BAA	402-BAA-ST3 LOOSE KIT	411209	988.00
402 415-U8 BAA	402 WITH 415-U8 & 417-U8 PLATES LOOSE KIT	511207	987.00
402-M36 BAA	402-M36-BAA LOOSE KIT	487629	987.00

Above assemblies fit most fixture manufacturer's urinals. Consult Carrier Selector Guide for specific fixtures.

403 Water Cooler /Drinking Fountain Carrier

Item	Product #	UPC	List Price	Qty
Plate Kit With Hardware (1a-1c) & (2a-2c)				
1	WP449-U11	401449	218.00	2
Support Kit (3a-3c) 2 Header Couplings				
3	WP400-2R (Round)	544043	203.00	2
	WP400-2S (square)	544081	203.00	2
Uprights Standard is 47 inch				
4	UPRIGHT PU-22-36 (Square)	423829	231.00	2
	UPRIGHT PU-22-47 (Square)	406419	231.00	2
	UPRIGHT PU-2F-36 (Round)	227434	231.00	2
	UPRIGHT PU-1F-47 (Round)	227410	231.00	2



Cat. No.	Description	Part No.	List Price
<b>403 WATER COOLER CARRIERS COMPLETE ASSEMBLIES</b>			
403 433-U10	403 WITH PLATES 433-U10 LOOSE KIT	411317	987.00
403 449-U11	403 WITH PLATES 449-U11 LOOSE KIT	411211	987.00
403-449-U11A	403 WITH PLATES 449-U11A BOXED	430449	987.00
403 466-U10	403 WITH PLATES 466-U10 LOOSE KIT	403009	987.00
403 469-U11	403 WITH PLATES 469-U11 LOOSE KIT	469403	987.00
403 481-U9	403 WITH PLATES 481-U9 BOXED	446774	987.00
403-M36 415-U8/417-U8	403-M36 WITH PLATES 415-U8/417-U8 LOOSE KIT	411199	987.00
403-M36 449-U11	403-M36 WITH PLATES 449-U11 LOOSE KIT	411213	987.00
403-M36 433-U7	403-M36 WITH PLATES 433-U7 BOXED	410300	987.00
403-M36 433-U10	403-M36 WITH PLATES 433-U10 LOOSE KIT	411315	987.00
403-M36 481-U9	403-M36 WITH PLATES 481-U9 LOOSE KIT	403481	987.00
<b>403-AM12</b>			
403-BL-AM12 408-U9	403-BL-AM12 WITH PLATES 408-U9 A&B LOOSE KIT	440408	1,544.00
403-BL-AM12 488-U9	403-BL-AM12 WITH PLATES 488-U9 (EHWM217C) LOOSE KIT	488100	1,544.00
<b>403-M18</b>			
403-M18 449-U11	403-M60 WITH PLATES 449-U11 LOOSE KIT	411265	2,160.00
403-M18-M36 449-U11	403-M60-M36 WITH PLATES 449-U11 LOOSE KIT	411266	2,160.00
<b>403-BFS</b>			
403-BFS 430-U11	403-BFS WITH PLATES 430-U11 BOXED	449113	1,417.00
403-BFS 449-U11	403-BFS WITH PLATES 449-U11 LOOSE KIT	449115	1,417.00
403-BFS-M36 430-U11	403-BFS-M36 WITH PLATES 430-U11 LOOSE KIT	411220	1,417.00
403-BFS-M36 431-U11	403-BFS-M36 WITH PLATES 431-U11 (LZS8WSVR) LOOSE KIT	321015	1,417.00
403-BFS-M36 445-U11	403-BFS-M36 WITH PLATES 445-U11 (LMABFDWSSK) LOOSE KIT	445119	1,417.00
403-BFS-M36 449-U11	403-BFS-M36 WITH PLATES 449-U11 LOOSE KIT	449114	1,417.00
<b>403-BFS-M18</b>			
403-BFS-M18 431-U11	403-BFS-M18 WITH PLATES 431-U11 LOOSE KIT	403431	2,590.00
403-BFS-M18 449-U11	403-BFS-M18 WITH PLATES 449-U11 (ELKAY LVRC8WSK)	494115	2,590.00
<b>403-M36-BFS-LBP-M18</b>			
403-M36-LBP-BFS-M18 431-U11	403-M36-LBP-BFS-M18 WITH PLATES 431-U11 LOOSE KIT	403435	2,489.00
<b>403-BL</b>			
403-BL 449-U11	403-BL WITH PLATES 449-U11 LOOSE KIT	411212	1,443.00
403-BL 449-U11A	403-BL WITH PLATES 449-U11A BOXED	411206	1,443.00
403-BL 430-U11	403-BL WITH PLATES 430-U11 (LZSTL8WS) LOOSE KIT	403001	1,443.00
403-BL 468-U11	403-BL WITH PLATES 468-U11 LOOSE KIT	468403	1,443.00
403-BL 471-U11	403-BL WITH PLATES 471-U11 LOOSE KIT	471403	1,443.00
403-BL 488-U9	403-BL WITH PLATES 488-U9 LOOSE KIT	488099	1,443.00
403-BL-M36 415-U8/417-U8	403-BL-M36 WITH PLATES 415-U8/417-U8 LOOSE KIT	410227	1,443.00
403-BL-M36 449-U11	403-BL-M36 WITH PLATES 449-U11 LOOSE KIT	411214	1,443.00
403-BL-M36 449-U11	403-BL-M36 WITH PLATES 449-U11 BOXED	410226	1,443.00
403-M36-BL 449-U11/417-U8	403-BL-M36 WITH PLATES 449-U11/417-U8 LOOSE KIT	411399	1,443.00
<b>403-BL-LBP</b>			
403-BL-LBP 449-U11	403-BL-LBP WITH PLATES 449 LOOSE KIT	411205	1,340.00
403-BL-LBP 449-U11	403-BL-LBP WITH PLATES 449-U11A BOXED	410299	1,340.00
403-BL-LBP-M36 449-U11	403-BL-LBP-M36 WITH PLATES 449-U11A LOOSE KIT	410216	1,340.00
403-BL-LBP-M36 449-U11	403-BL-LBP-M36 WITH PLATES 449-U11 LOOSE KIT	410215	1,340.00
<b>403-BL-M18</b>			
403-BL-M18-M36 452-U11	403-BL-M18-M36 WITH PLATES 452-U11 LOOSE KIT	554160	2,616.00
403-BL-M18-M36 430-U11B/449-U11A	403-BL-M18-M36 WITH PLATES 430-U11B 449-U11A LOOSE KIT	554166	2,616.00

**403 WATER COOLER CARRIERS COMPLETE ASSEMBLIES****403-BL-BFS**

403-BL-BFS 430-U11 .....	403-BL-BFS WITH PLATES 430-U11 LOOSE KIT .....	403000 .....	1,873.00
403-BL-BFS 430-U11 .....	403-BL-BFS WITH PLATES 430-U11 BOXED .....	430002 .....	1,873.00
403-BL-BFS 452-U11 .....	403-BL-BFS WITH PLATES 452-U11 LOOSE KIT .....	322500 .....	1,873.00
403-BL-BFS-M36 431-U11 .....	403-BL-BFS-M36 WITH PLATES 431-U11 (LZSTL8WSVRSK) LOOSE KIT .....	453119 .....	1,873.00
403-BL-BFS-M36 430-U11 .....	403-BL-BFS-M36 WITH PLATES 430-U11 LOOSE KIT .....	403003 .....	1,873.00
403-BL-BFS-M36 428-U11B .....	403-BL-BFS-M36 WITH PLATES 428-U11B LOOSE KIT .....	403007 .....	1,873.00
403-BL-BFS-M36 434-U11/449-U11 .....	403-BL-BFS-M36 WITH PLATES 434-U11/449-U11 (HAC8) LOOSE KIT .....	403429 .....	1,873.00
403-BL-BFS-M36 449-U11 .....	403-BL-BFS-M36 WITH PLATES 449-U11 (OASIS) LOOSE KIT .....	403698 .....	1,873.00
403-BL-BFS-M18 449-U11B .....	403-BL-BFS-M18 WITH PLATES 449-U11/430-U11B LOOSE KIT .....	449403 .....	3,045.00
403-BL-BFS-M18 449-U11 .....	403-BL-BFS-M18 WITH PLATES 449-U11 LOOSE KIT .....	403002 .....	3,045.00
403-BL-BFS-M36-M18 449-U11B/430 .....	403-BL-BFS-M36-M18 WITH PLATES 449-U11/430-U11B LOOSE KIT .....	449405 .....	3,045.00

**403-BL-BFS-LBP**

403-BL-LBP-BFS 430-U11 .....	403-BL-LBP-BFS WITH PLATES 430-U11 LOOSE KIT .....	403004 .....	1,770.00
403-BL-LBP-BFS 434-U11 .....	403-BL-LBP-BFS WITH PLATES 434-U11 LOOSE KIT .....	453120 .....	1,770.00

**403-LBP**

403-LBP 431-U10 .....	403-LBP WITH PLATES 431-U10 LOOSE KIT .....	406431 .....	885.00
403-LBP 449-U11A .....	403-LBP-PLT WITH PLATES 449-U11A LOOSE KIT .....	321703 .....	885.00

**403-BL-LBP**

403-BL-LBP 449-U11A .....	403-BL-LBP=PLT WITH PLATES 449-U11A BOXED .....	321701 .....	1,340.00
---------------------------	---	--------------	----------

**403D-M36**

403-D-M36 449-U11/417-U8 .....	403-D-M36 WITH PLATES 449-U11/417-U8 LOOSE KIT .....	330343 .....	1,376.00
--------------------------------	--	--------------	----------

**403D-BFS**

403-D-BFS 430-U11B/430-U11C .....	403-D-BFS WITH PLATES 430-U11B & 430-U11C LOOSE KIT .....	403119 .....	2,235.00
-----------------------------------	---	--------------	----------

**403D-BL**

403D-BL 449-U11 .....	403D-BL WITH PLATES 449-U11 LOOSE KIT .....	411223 .....	2,286.00
-----------------------	---	--------------	----------

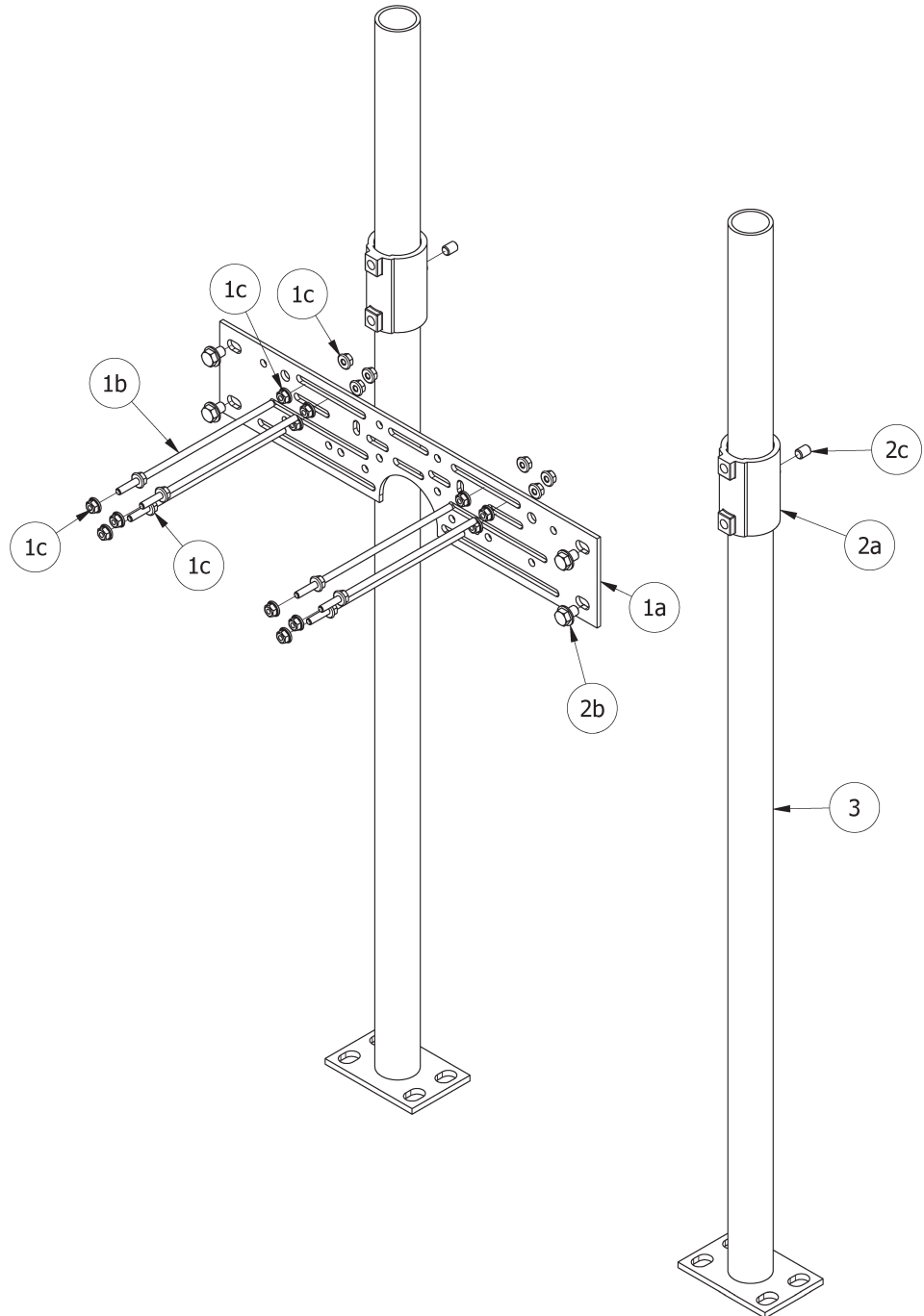
**403-BFS MEETS BAA**

403-BFS 431-U11 .....	403-BFS WITH PLATES 431-U11 (LZS8WSVR) BOXED .....	321790 .....	1,417.00
403-BL 449-U11 .....	403-BL WITH PLATES 449-U11 LOOSE KIT .....	449111 .....	1,443.00



### 404 Lavatory Carrier

Item	Product #	UPC	List Price	Qty
Plate Kit With Hardware (1a-1c)				
1	WP415-U8	415400	218.00	1
Support Kit (2a-2c) 2 Header Couplings				
2	WP400-2R (Round)	544043	203.00	1
	WP400-2S (square)	544081	203.00	1
Uprights Standard is 47 inch				
3	UPRIGHT PU-22-36 (Square)	423829	231.00	2
	UPRIGHT PU-22-47 (Square)	406419	231.00	2
	UPRIGHT PU-2F36 (Round)	227434	231.00	2
	UPRIGHT PU-1F47 (Round)	227410	231.00	2





**404 WATER COOLER CARRIERS COMPLETE ASSEMBLIES****404-BL-BFS**

404 415-U8	404 WITH PLATES 415-U8 LOOSE KIT	411186	883.00
404 415-U8	404 WITH PLATES 415-U8 BOXED	404137	883.00
404 441-U7	404 WITH PLATES 441-U7 LOOSE KIT	555160	883.00
404 441-U11	404 WITH PLATES 441-U11 LOOSE KIT	555118	883.00
404 446-U11	404 WITH PLATES 446-U11 LOOSE KIT	404446	883.00
404 449-U11A	404 WITH PLATES 449-U11A LOOSE KIT	449404	883.00
404 463-U11	404 WITH PLATES 463-U11 LOOSE KIT	404463	883.00
404 464-U11	404 WITH PLATES 464-U11 LOOSE KIT	407464	883.00
404 486-U10	404 WITH PLATES 486-U10 LOOSE KIT	486326	883.00
404-M36 411-U9	404-M36 WITH PLATES 411-U9 BOXED	404410	883.00
404-M36 415-U8	404-M36 WITH PLATES 415-U8 BOXED	411188	883.00
404-M36 415-U8	404-M36 WITH PLATES 415-U8 BOXED	404136	883.00
404-M36 449-U11	404-M36 WITH PLATES 449-U11 LOOSE KIT	449407	883.00

**404-M29 SPECIAL HARDWARE**

404-M29 411-U9	404-M29 WITH PLATES 411-U9 LOOSE KIT	404030	883.00
404-M36-M29 411-U9	404-M36-M29 WITH PLATES 411-U9 BOXED	404411	883.00

**404-D**

404-D 415-U8	404-D WITH PLATES 415-U8 LOOSE KIT	444588	1,170.00
--------------	------------------------------------	--------	----------

**404-CL**

404-CL-436-U5	404-CL WITH PLATES 436-U5 LOOSE KIT	411200	1,177.00
404-CL-457-U11A	404-CL WITH PLATES 457-U11A BOXED	322701	1,177.00
404-CL 469-U6	404-CL WITH PLATES 469-U6 LOOSE KIT	411201	1,177.00

**405 WATER COOLER CARRIERS COMPLETE ASSEMBLIES**

405 449-U11	405 WITH PLATES 449-U11	486325	987.00
405 455-U7	405 WITH PLATES 455-U7 LOOSE KIT	458408	987.00
405 458-U11AB	405 WITH PLATES 458-U11AB LOOSE KIT	458405	987.00
405 459-U11	405 WITH PLATES 459-U11 LOOSE KIT	459011	987.00
405 461-U11AB	405 WITH PLATES 461-U11AB LOOSE KIT	461405	987.00
405 467-U11AB	405 WITH PLATES 467-U11AB LOOSE KIT	406467	987.00
405 499-U7	405 WITH PLATES 499-U7 LOOSE KIT	411555	883.00
405-M36 458-U11AB	405-M36 WITH PLATES 458-U11AB LOOSE KIT	458406	987.00
405-M36 461-U11AB	405-M36 WITH PLATES 461-U11AB LOOSE KIT	461406	987.00
405-M36 499-U7	405-M36 WITH PLATES 499-U7 LOOSE KIT	458407	987.00

**460 UNIVERSAL CARRIERS COMPLETE ASSEMBLIES**

461	With Universal 415-U8 Plate	304234	245.00
462	With Universal 415-U8 Plates	304241	299.00

**SUPPORT KIT (Round) w/ Hardware**

WP400-2R	544043	203.00
WP400-3R	544050	375.00
WP400D-2R	544067	524.00
WP400D-3R	544074	698.00

**SUPPORT KIT (Square) w/ Hardware**

WP400-2S	544081	203.00
WP400-3S	544098	375.00
WP400D-2S	544104	524.00
WP400D-3S	544111	698.00

**UPRIGHTS (Round)**

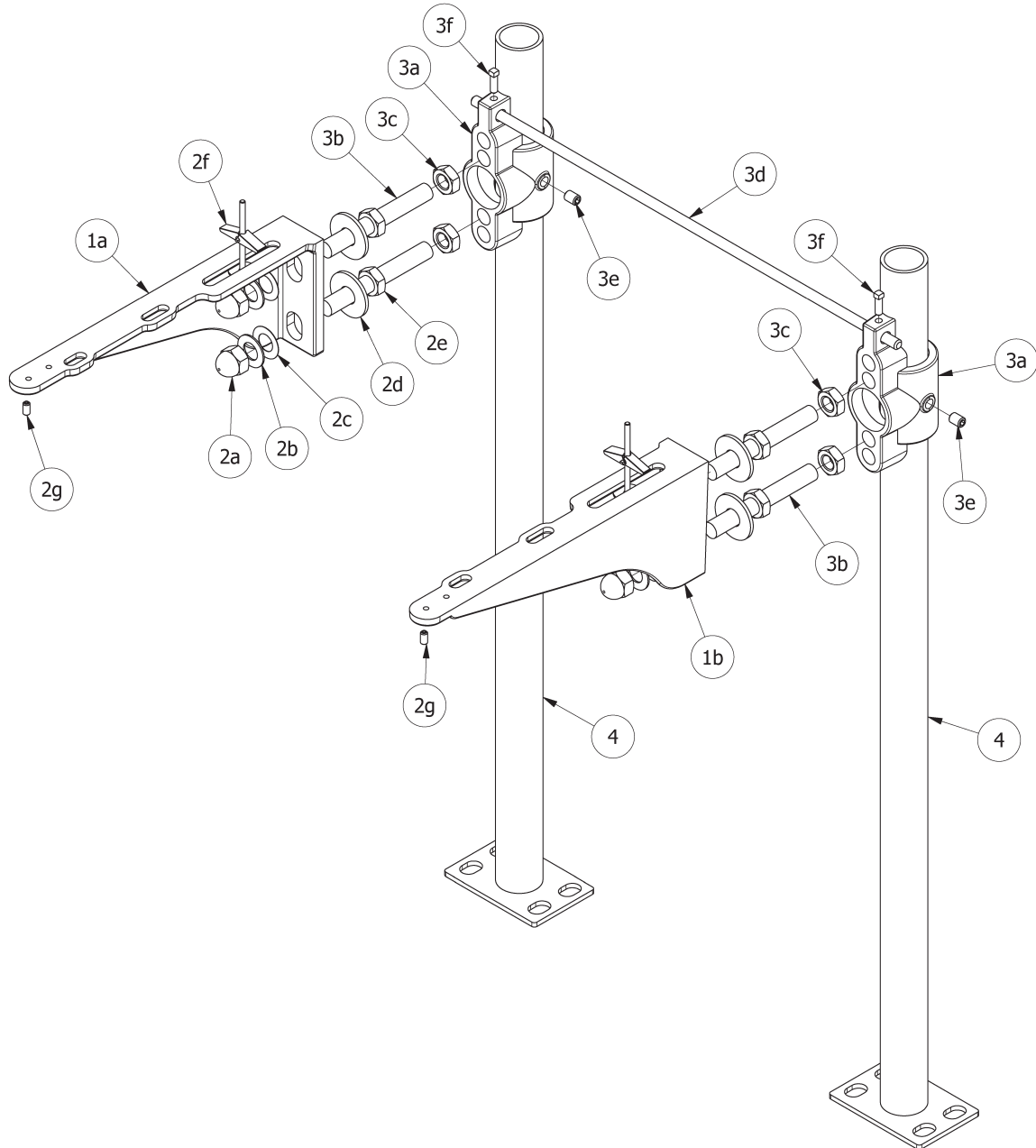
WP400-RU36	227434	231.00
WP400-RU47	227410	231.00
WP400-RU60	227427	819.00

**UPRIGHTS (Square)**

WP400-SU36	423829	231.00
WP400-SU47	227410	231.00
WP400-SU60	406655	819.00

### 510 Lavatory Carrier with Exposed Arms

Item	Product #	UPC	List Price	Qty
Exposed Arm Packages (2 Arms)				
1,2	WP510-02	304319	607.00	1
	WP510-03	304326	607.00	1
	WP510-KG	304364	607.00	1
	WP510-NR	304357	607.00	1
	WP510-02-M19	304296	607.00	1
Support Packages (2 Header Couplings)				
3	WP510/610-2R	544128	592.00	1
	WP510/610-2S	544135	592.00	1
Uprights				
4	UPRIGHT PU-22-36 (Square)	423829	231.00	2
	UPRIGHT PU-2F (Round)	227434	231.00	2



**510 EXPOSED ARM CARRIERS COMPLETE ASSEMBLIES**

Single lavatory carrier with white A.R.E. cast iron exposed arms.

Cat. No./Features	UPC#	List Price
510-03,	331391	1,661.00
510-02,	331407	1,661.00
510-02, M19	331414	1,661.00
510-NR	331421	1,661.00
510-KG	331438	1,661.00
510-03-M36	331490	1,661.00
510-02-M36	331506	1,661.00
510-02-M19-M36	331513	1,661.00
510-NR-M36	331520	1,661.00
510-KG-M36	331537	1,661.00
510-D-02	331452	2,602.00
510-D-02-M19	331469	2,602.00
510-D-NR	331476	2,602.00
510-D-KG	331483	2,602.00
510-D-03-M36	331544	2,602.00
510-D-02-M36	331551	2,602.00
510-D-M19-M36	331568	2,602.00
510-D-NR-M36	331575	2,602.00
510-D-KG-M36	331582	2,602.00

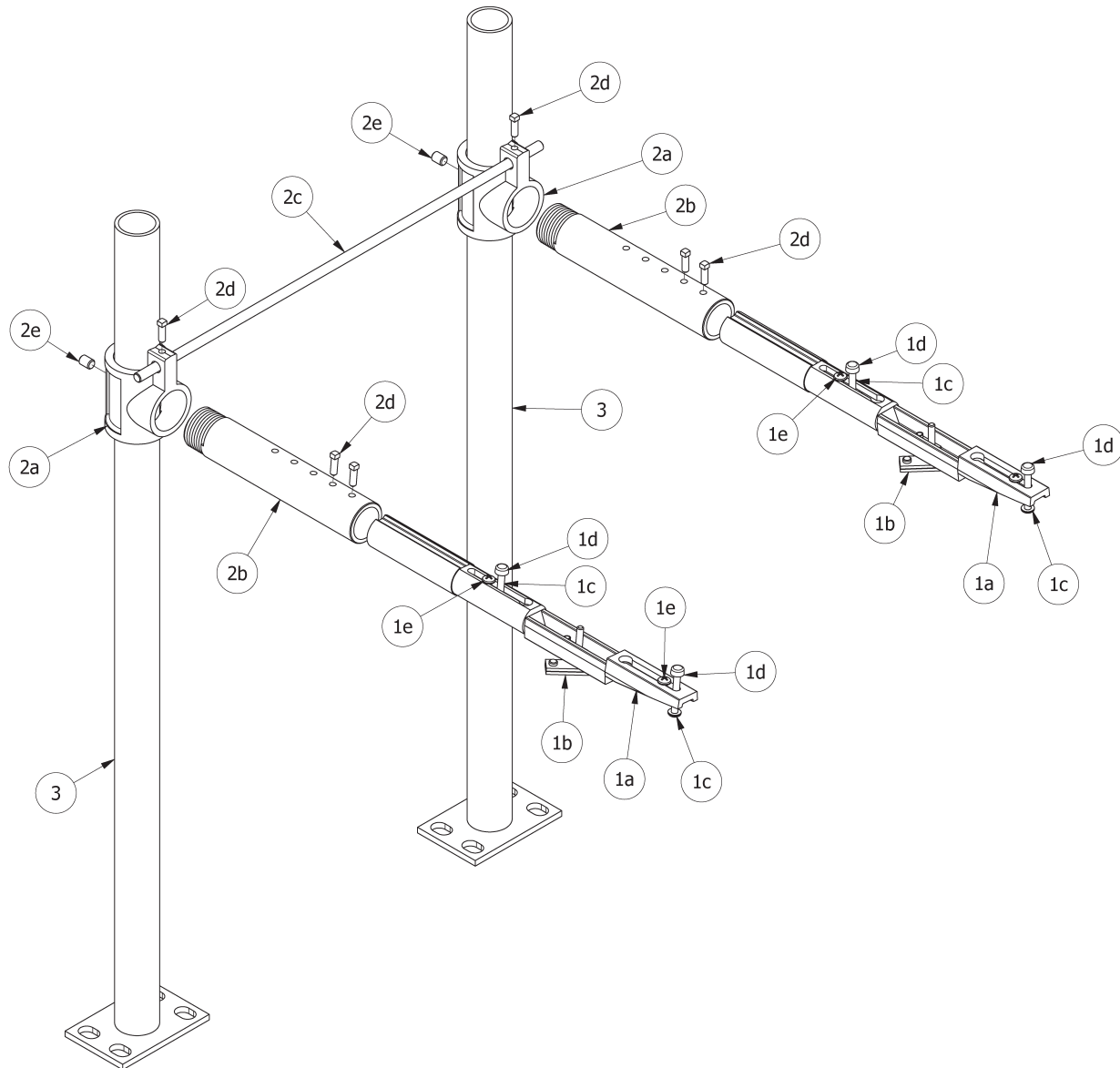


510-03

520 Lavatory Carrier with Concealed Arms

Item	Product #	UPC	List Price	Qty
Concealed Arm Packages (1a-1e) 2 Arms				
1	WP520-02-ALS	447078	489.00	1
	WP520-02-KLR	447085	489.00	1
	WP520-05	234258	489.00	1
	WP520-07	234302	489.00	1
	WP520-07-M19	304418	489.00	1
	WP520-07-M25-4	304449	489.00	1
	WP520-08	234319	489.00	1
	WP520-08-M25-4	430308	489.00	1
	WP520-08-M25-6	304456	489.00	1
	WP520-09-25-4	304647	489.00	1
	WP520-09-25-6	234265	489.00	1
	WP520-09	234326	489.00	1

Item	Product #	UPC	List Price	Qty
Support Kits (2a-2d) 2 Header Couplings				
2	WP520-2R-PN400 (Round)	544166	218.00	1
	WP520-2S-PN400 (Square)	544173	218.00	1
	WP520-2R-PN875 (Round)	544180	218.00	1
	WP520-2S-PN875 (Square)	544449	218.00	1
	WP520-2R-PN1300 (Round)	544456	292.00	1
	WP520-2S-PN1300 (Square)	544463	292.00	1
Uprights (3) Standard is -36 inch				
3	UPRIGHT PU-22-36 (Square)	423829	231.00	2
	UPRIGHT PU-22-47 (Square)	406419	231.00	2
	UPRIGHT PU-2F-36 (Round)	227434	231.00	2
	UPRIGHT PU-1F-47 (Round)	227410	231.00	2



**WOG721**

**CARRIERS**

**520 COMPLETE ASSEMBLIES**

Single concealed arm lavatory carrier with non-slip locking devices. For lavatories with back for wall up to 6" thick.

Cat. No./Features	UPC#	List Price
<b>Single Lav Carriers w/2 Concealed Arms</b>		
520-05	331629	1,170.00
520-08	331605	1,170.00
520-09	331636	1,170.00
520-07-M19	331612	1,170.00
520-08-M25/6	331643	1,170.00
520-07-M25/4	331650	1,170.00
520-08-M23	331735	1,365.00
520-09-M23	331742	1,365.00
520-09-M24	331308	1,245.00
520-09-M24-M25-6	331315	1,245.00
520-09-M24-M25/4	331322	1,245.00
520-07-M36	331339	1,170.00
520-08-M36	331346	1,170.00
520-07-M19/M36	331353	1,170.00
520-05-M36	331360	1,170.00
520-09-M36	331377	1,170.00
520-08-M25/6-M36	331384	1,170.00
520-07-M25/4-M36	331759	1,170.00
520-08-M23-M36	331834	1,170.00
520-09-M23-M36	331841	1,365.00
520-09-M24-M36	331872	1,245.00
520-09-M24-M25/6-M36	331889	1,245.00
520-09-M24-M25/4-M36	331896	1,245.00
<b>Double Lav Carriers w/4 Concealed Arms</b>		
520D-07	331667	1,661.00
520D-08	331674	1,661.00
520D-07 M19	331681	1,661.00
520D-09	331704	1,661.00
520D-08-M25/6	331711	1,661.00
520D-07-M25/4	331728	1,661.00
520D-08-M23	331933	2,052.00
520D-09-M23	331940	2,052.00
520D-09-M24	331957	1,809.00
520D-09-M24-M25/6	331964	1,809.00
520D-09-M24-M25/4	331971	1,809.00
520D-07-M36	331766	1,661.00
520D-08-M36	331773	1,661.00
520D-07-M19-M36	331780	1,661.00
520D-05-M36	331797	1,661.00
520D-09-M36	331803	1,661.00
520D-08-M25/6-M36	331810	1,661.00
520D-07-M25/4-M36	331827	1,661.00
520D-08-M23-M36	331858	2,053.00
520D-09-M23-M36	331865	2,053.00
520D-09-M24-M36	331902	1,809.00
520D-09-M24-M25/6-M36	331919	1,809.00
520D-09-M24-M25/4-M36	331926	1,809.00

**520,525,530 LESS CONCEALED ARMS**

Pipe uprights, welded base feet and support components

Cat. No./Features	UPC#	List Price
<b>Single Lav Carrier</b>		
WP520 Kit	378844	680.00
WP520-MW (Min.Wall)	427780	680.00
WP520-M24	234295	755.00
WP520-M23	234272	877.00
WP520-M36	331609	680.00
WP520-M36-M24	416919	755.00
WP520-M36-M23	416937	948.00
WP525	434597	1,024.00
WP530	455929	934.00

**520 BOXED**

WP520-Less Arms	378846	680.00
WP520-M36 Less Arms Assembly	416913	680.00

**Double Lav Carrier**

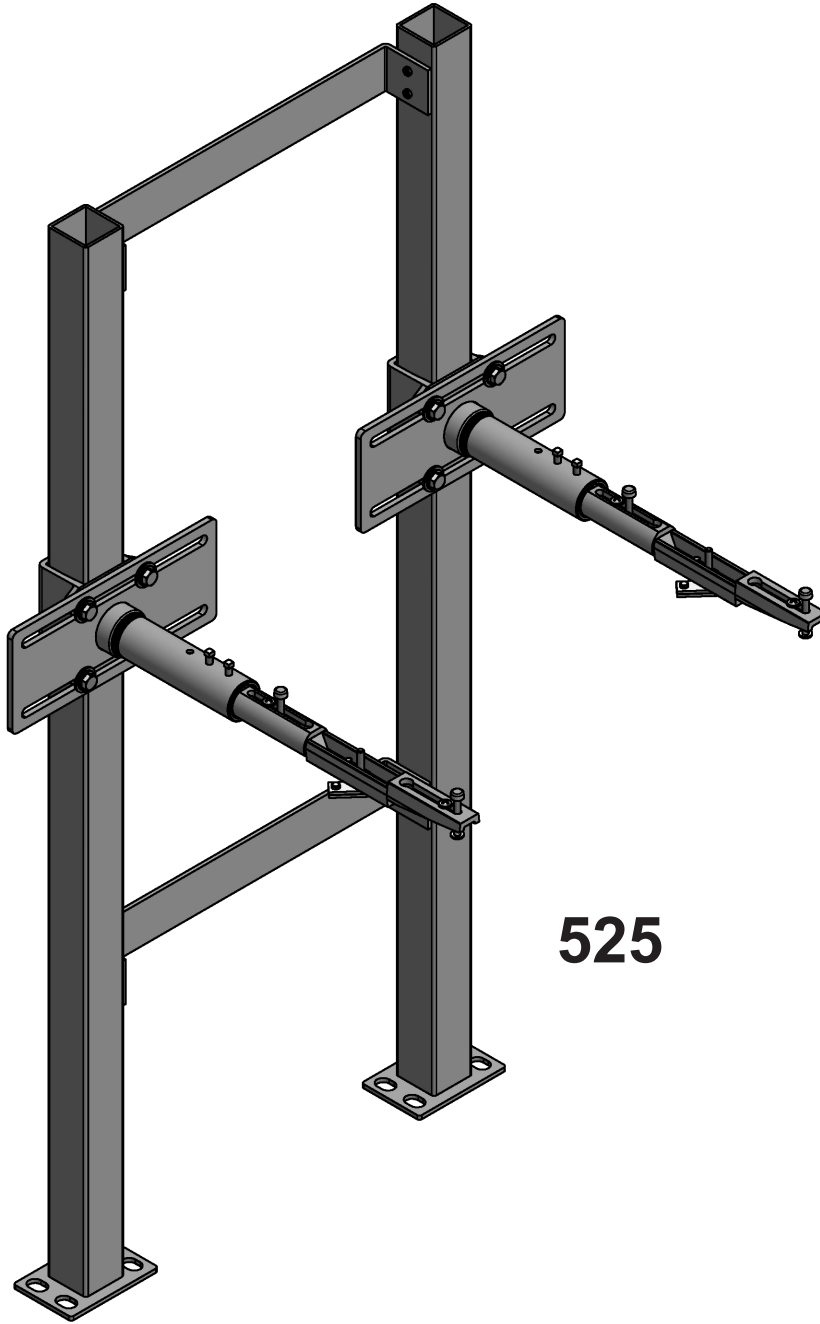
WP520-D	304400	683.00
WP520-D (Min.Wall)	443285	683.00
WP520-D-M24	332626	832.00
WP520-D-M23	332619	687.00
WP520-D-M36	304402	683.00
WP520-D-M36, M24	416951	832.00
WP520-D-M36, M23	416968	1,077.00

**520-SC 43 Less Concealed Arms**

WP520-M36-SC43 (MURRO 551-L5) CARRIER LESS ARMS	378847	1,340.00
WP520-M36-SC43 (LUCIA 562 L7) CARRIER LESS ARMS	378845	1,340.00
WP520-SC43-M36 (MURRO) PLT A-551-L5	551358	1,340.00

**520D-SC 43 Less Concealed Arms**

WP520D-M36-SC43 (LUCIA/MURRO) PLTS 551-L5/562-L7	507601	2,001.00
WP520D-M36-SC43 (MURRO 551-L5) LESS ARMS	378848	2,001.00
WP520D-SC43-M36 (LUCIA PLT A-562-L7)	507599	2,001.00



525

**WOG721**

**CARRIERS**

**525 COMPLETE ASSEMBLIES**

Single concealed arm lavatory carrier.

Cat. No./Features	UPC#	List Price
525-08 .....	540731 .....	1,426.00
525-09 KIT .....	540732 .....	1,426.00

**530 COMPLETE ASSEMBLIES**

530-08 .....	331307 .....	1,170.00
--------------	--------------	----------

**530 CARRIER LESS ARMS**

WP530 Carrier Less Arms .....	455929 .....	934.00
-------------------------------	--------------	--------

**OPTIONS FOR 520**

Cat. No.	Description	UPC#	List Price
AM27 .....	Valve Support Plate .....	234579 .....	179.00
AM28 .....	Valve Support Bar .....	304395 .....	179.00

**REPLACEMENT PARTS FOR 520**

Cat. No.	Description	Per Carrier	UPC#	List Price (Ea.)
M2-1 .....	Adapter .....	6 .....	228707 .....	24.00
M25-1 .....	Lock .....	2 .....	408116 .....	21.00
B101RP .....	Leveling Screw .....	6 .....	309284 .....	6.00
B208 .....	Adapter Screw .....	4 .....	226383 .....	8.00
22C .....	Hdw. Bag .....	1 .....	228288 .....	26.00

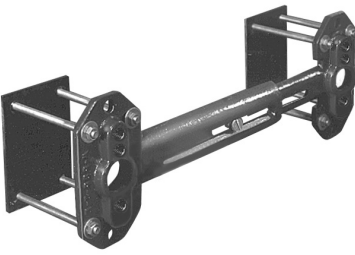
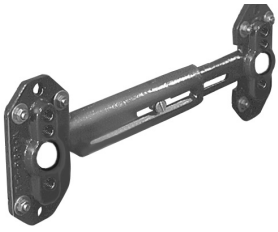


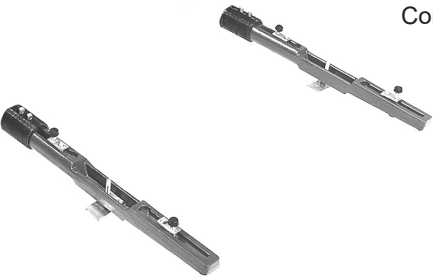
**CONCEALED ARMS ONLY FOR 520,525,530**

Pairs - painted cast iron. Select one pair for singles or two pairs for doubles. Note: Refer to Carrier-Selector to determine arms required for specific fixture.

Cat. No.	Description	UPC#	List Price
WP520-02 .....	Drilled for Kohler .....	447078 .....	489.00
WP520-03 .....	Drilled for American Standard .....	447085 .....	489.00
WP520-05 .....	Offset Arms .....	234258 .....	489.00
WP520-06 .....	Offset Arms .....	444015 .....	489.00
WP520-07 .....	Straight Arms .....	234302 .....	489.00
WP520-07-M19 .....	w/ Eye-Bolts .....	304418 .....	489.00
WP520-07-M25/4 .....	w/ Longer Rear Leveling Screws .....	304449 .....	489.00
WP520-08 .....	Straight Arms .....	234319 .....	489.00
WP520-08-M25/4 .....	w/ Longer Rear Leveling Screws .....	430308 .....	489.00
WP520-08-M25/6 .....	w/ Longer Rear Leveling Screws .....	304456 .....	489.00
WP520-09 .....	Straight Arms .....	234326 .....	489.00
WP520-09-M25/6 .....	Crane IH360 .....	234265 .....	489.00
WP520-09-M25/4 .....	w/ Longer Rear Leveling Screws .....	304647 .....	489.00
WP530-08 .....	Threaded Shank .....	455936 .....	237.00

CARRIERS

WOG721

Cat.No.	UPC#	List Price
	571	
	572	
	573	
	Exposed Arms	
	Concealed Arms	

**571 COMPLETE ASSEMBLIES**

Wall lavatory carrier with adjustable brackets for concealed or exposed arms.

571EA-02.....	491439.....	1,155.00
571EA-03.....	491446.....	1,155.00
571EA-KG.....	491729.....	1,155.00
571EA-NR.....	491736.....	1,155.00
571CA-07.....	491743.....	692.00
571CA-08.....	491750.....	692.00
571CA-09.....	491767.....	692.00

**572 COMPLETE ASSEMBLIES**

Wall lavatory carrier with adjustable brackets for concealed or exposed arms.

572EA-02.....	491774.....	1,155.00
572EA-03.....	491781.....	1,155.00
572EA-KG.....	491798.....	1,155.00
572EA-NR.....	491804.....	1,155.00
572CA-07.....	491811.....	692.00
572CA-08.....	491828.....	692.00
572CA-09.....	491842.....	692.00

**573 COMPLETE ASSEMBLIES**

Wall lavatory carrier with adjustable brackets for concealed or exposed arms.

573EA-02.....	491859.....	692.00
573EA-03.....	491866.....	692.00
573EA-KG.....	491873.....	692.00
573EA-NR.....	491880.....	692.00
573CA-07.....	491897.....	692.00
573CA-08.....	491903.....	692.00
573CA-09.....	491910.....	692.00

**574 COMPLETE ASSEMBLIES**

Wall lavatory carrier with adjustable brackets for concealed or exposed arms.

574-17 1/4-08.....	552309.....	542.00
574-16 3/4-08.....	408370.....	542.00
574-16 7/16-09.....	408371.....	542.00

**OPTIONS**

Cat No.	Description	UPC#	List Price
571-M23.....	Escutcheon, Chrome-Plated.....	309666.....	195.00
572-M23.....	Escutcheon, Chrome-Plated.....	309680.....	195.00
573-M23.....	Escutcheon, Chrome-Plated.....	309703.....	195.00
571-M24.....	Wheelchair Lav Supports.....	309673.....	73.00
572-M24.....	Wheelchair Lav Supports.....	309697.....	73.00
573-M24.....	Wheelchair Lav Supports.....	309710.....	73.00



### 571, 572, 573, 574 ASSEMBLY LESS ARMS

[ORDER ARMS SEPARATELY SEE BELOW]

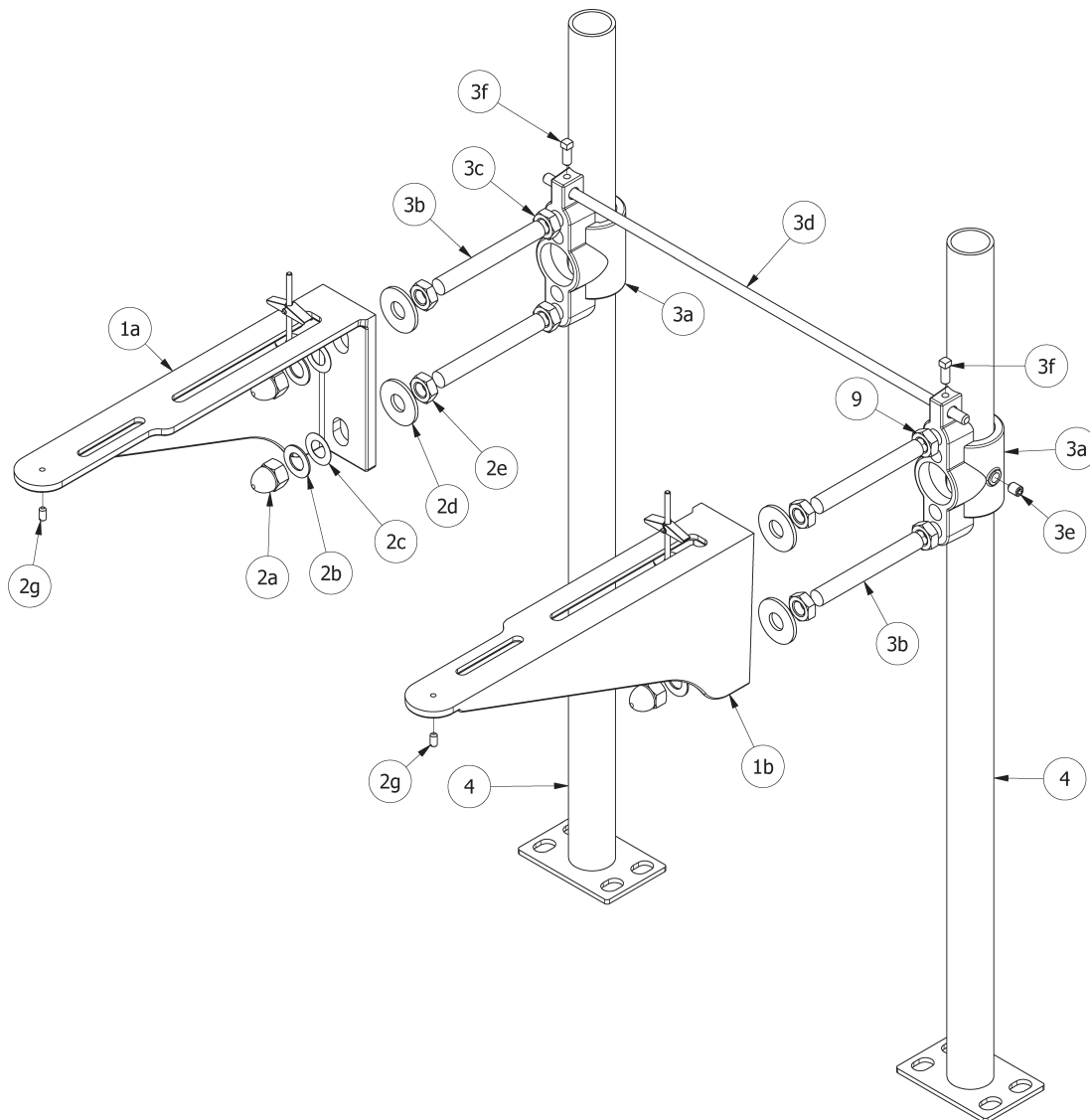
Wall mount adjustable plate with support studs and chrome plated hardware.

NOTE: OLD 561, 562, 563, 565 Series: Use 570 series brackets with Exposed arms.

Cat. No	Description	UPC#	List Price.
571	Wall Mount Sgl.	308577	206.00
572	Wall Mount, Sgl.	308584	206.00
573	Wall Mount, Sgl.	308591	206.00
574-15 3/4	Wall Mount	428060	187.00
574-16	Wall Mount	428999	189.00
574-16 1/4	Wall Mount	434733	187.00
574-16 1/4	Wall Mount	425898	189.00
574-16 3/4	Wall Mount	408369	187.00
571-17	Wall Mount	408376	187.00
574-17 1/4	Wall Mount	408352	187.00
<b>EXPOSED ARMS: (Pairs, Cast Iron)</b>			
WP510-02-ARMS	Flat 14"	304319	607.00
WP510-03-ARMS	4" Flat w/Eye-Bolt Hardware	304296	607.00
WP510-02-M19-ARMS	Flat 15 3/4"	304326	607.00
WP510-KG-ARMS	Notched Flat (Kohler Greenwich)	304364	607.00
WP510-NR-ARMS	Notched Flat (Crane Norwich)	304357	607.00
<b>CONCEALED ARMS: (Pairs, Cast Iron)</b>			
05	14 3/4. Offset Arm	234258	489.00
07	16" In-Line	234302	489.00
08	17 1/4. In-Line	234319	489.00
09	19" In-Line	234326	489.00
07-M19	16" In-Line Eyebolt, Hardware	304418	489.00
07-M25-4	16", 4" Rear Lev Screw	304449	489.00
08-M25-6	17", 6" Rear Lev Screw	304456	489.00
09-M25-4	19", 4" Rear Lev Screw	234265	489.00
09-M25-6	19", 6" Rear Lev Screw	304647	489.00

### 610 Sink Carrier with Exposed Arms

Item	Product #	UPC	List Price	Qty
Exposed Arm Packages (2 Arms)				
1,2	WP610-009 (Narrow)	309192	607.00	1
	WP610-011 (Narrow)	309208	607.00	1
	WP610-014 (Narrow)	309215	607.00	1
	WP610-01 (Flat)	309161	607.00	1
	WP610-02 (Flat)	309178	607.00	1
	WP610-03 (Flat)	309185	607.00	1
Support Packages (3a-3f) 2 Header Couplings				
3	WP510/610-2R	544128	592.00	1
	WP510/610-2s	544135	592.00	1
Uprights Standard is 47 inch				
4	UPRIGHT PU-22-36 (Square)	423829	231.00	2
	UPRIGHT PU-22-47 (Square)	406419	231.00	2
	UPRIGHT PU-2F-36 (Round)	227434	231.00	2
	UPRIGHT PU-1F-47 (Round)	227410	231.00	2



**610 COMPLETE ASSEMBLIES**

Single sink carrier with white A.R.E. heavy duty exposed arms.  
 Note: For double carrier, specify 610D

Cat. No./Features	UPC#	List Price
<b>Single Sink Carriers w/2 Exposed H.D. Arms</b>		
610-014 .....	331988 .....	1,661.00
610-03 .....	331995 .....	1,661.00
610-02 .....	332008 .....	1,661.00
610-011 .....	332015 .....	1,661.00
610-014-M36 .....	332060 .....	1,661.00
610-03-M36 .....	332077 .....	1,661.00
610-02-M36 .....	332084 .....	1,661.00
610-011-M36 .....	332091 .....	1,661.00

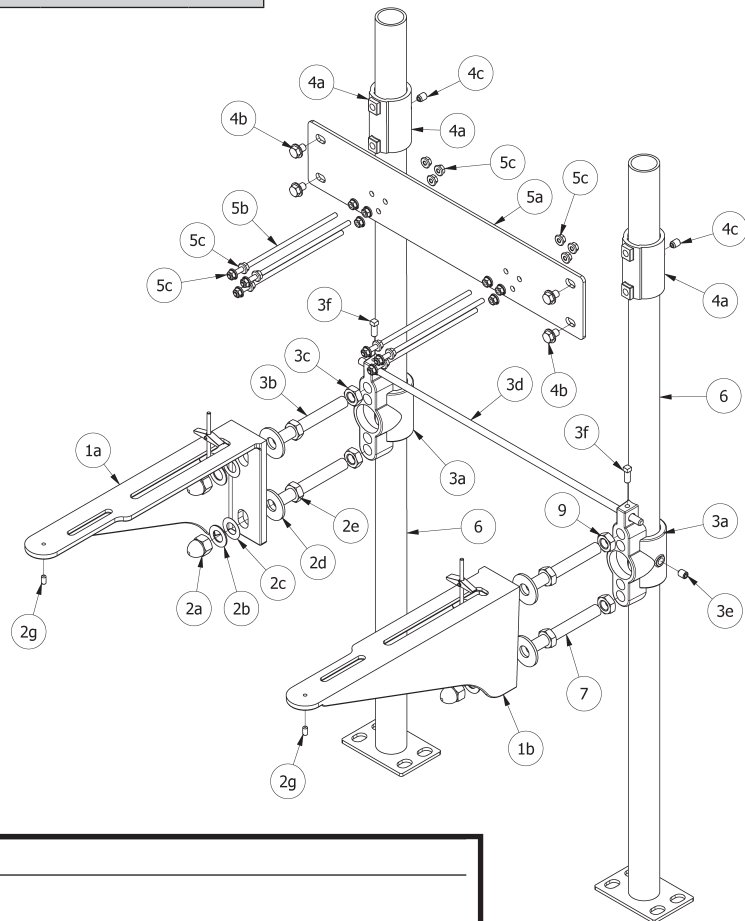
<b>Double Sink Carriers w/4 Exposed H.D. Arms</b>		
610-D-014.....	332022 .....	2,700.00
610-D-03.....	332039 .....	2,700.00
610-D-02.....	332046 .....	2,700.00
610-D-011.....	332053 .....	2,700.00
610-D-014-M36 .....	332107 .....	2,700.00
610-D-03-M36 .....	332114.....	2,700.00
610-D-02-M36 .....	332121 .....	2,700.00
610-D-011-M36.....	332138 .....	2,700.00



610

**620 Sink Carrier with Exposed Arms / Hanger Plate**

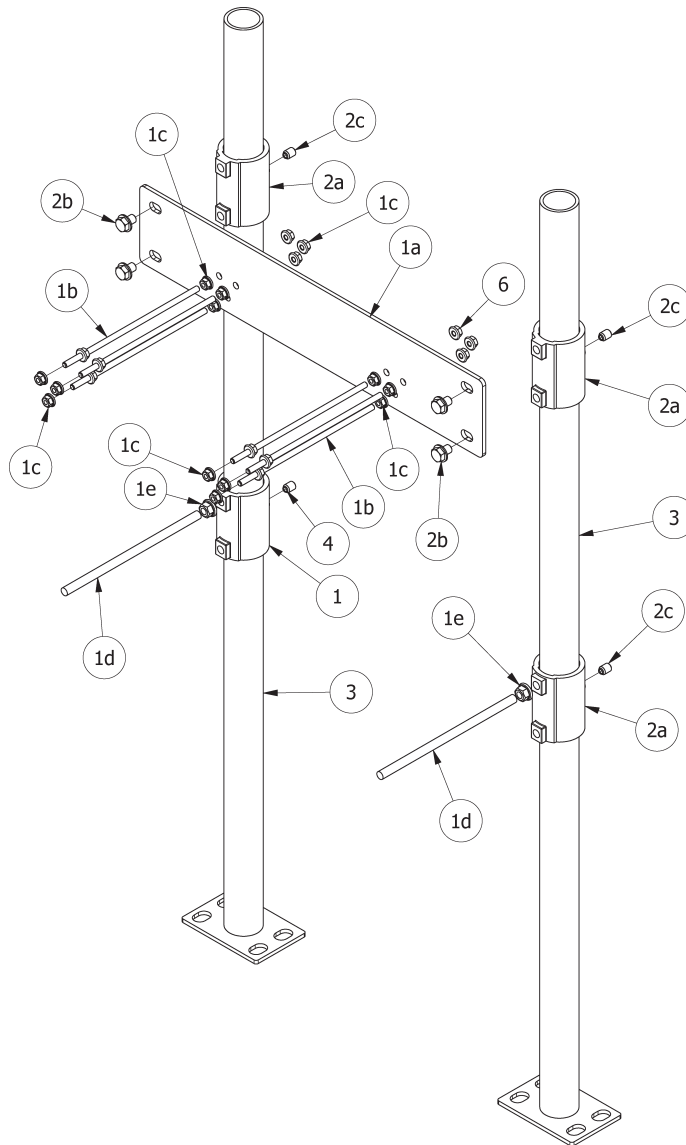
Item	Product #	UPC	List Price	Qty
Exposed Arm Packages (2 Arms)				
1,2	WP610-009 (Narrow)	309192	\$607.00	1
	WP610-011 (Narrow)	309208	\$607.00	1
	WP610-014 (Narrow)	309215	\$607.00	1
	WP610-01 (Flat)	309161	\$607.00	1
	WP610-02 (Flat)	309178	\$607.00	1
	WP610-03 (Flat)	309185	\$607.00	1
Support Kits (3a-3f) 2 Header Couplings				
3	WP510/610-2R	544128	\$592.00	1
	WP510/610-2R	544135	\$592.00	1
Support Kits (4a-4c) 2 Header Couplings				
4	WP400-2R (Round)	544043	\$203.00	1
	WP400-2S (square)	544081	\$203.00	1
Plate Kit With Hardware (1a-1c)				
5	Choose Plate Kit From Carrier Selector			1
Uprights				
6	UPRIGHT PU-22-47 (Square)	406419	\$231.00	2
	UPRIGHT PU-1F-47 (Round)	227410	\$231.00	2
Plate Kit With Hardware (1a-1c)				



<b>620 ASSEMBLY LESS EXPOSED ARMS</b>			
Single sink carrier with hanger support plate.			
620-011,..... 664-H4 .....	621664.....	3,170.00	
623-LK FOR ELKAY EWSF26026/EWSF26026SACC .....	562301.....	4,370.00	
623-LK-M36-M60 EWMA-9620 .....	562302.....	4,767.00	
623-AM11-M36-W/A-660-H4 PLTS .....	562303.....	4,153.00	
623D-LK FOR ELKAY EWSF26026/EWSF26026SACC.....	562305.....	4,370.00	

### 630 Sink Carrier with Hanger Plate & Bearing Support

Item	Product #	UPC	List Price	Qty
Plate Kit With Hardware (1a-1c)				
1	Choose Plate Kit From Carrier Selector			1
Support Kit (2a-2c) 2 Header Couplings				
2	WP400-2R (Round)	544043	\$203.00	2
	WP400-2S (Square)	544081	\$203.00	2
Uprights				
3	UPRIGHT PU-22-47 (Square)	406419	\$231.00	2
	UPRIGHT PU-1F-47 (Round)	227410	\$231.00	2



CARRIERS

WOG721

Cat.No. UPC# List Price

Cat.No. UPC# List Price



**630 TROUGH URINAL & SINK CARRIER**

Trough urinal or sink carrier with round steel uprights, welded base feet, cast iron header couplings laser cut steel hanger support plate, zinc plated support hardware and apron bearing studs

**630 COMPLETE ASSEMBLIES**

Cat. No.	Plates	UPC#	List Price
630-AM11	679-H4 A&B	539099	2,361.00
630-AM11-M36	679-H4 A&B	433280	2,361.00
633-AM11	616-H6	633616	3,088.00
633-AM11	660-H4	633660	3,088.00
633-AM11-M36-M60	612-H6	498555	4,258.00

**EXPOSED ARMS FOR 610, 620**

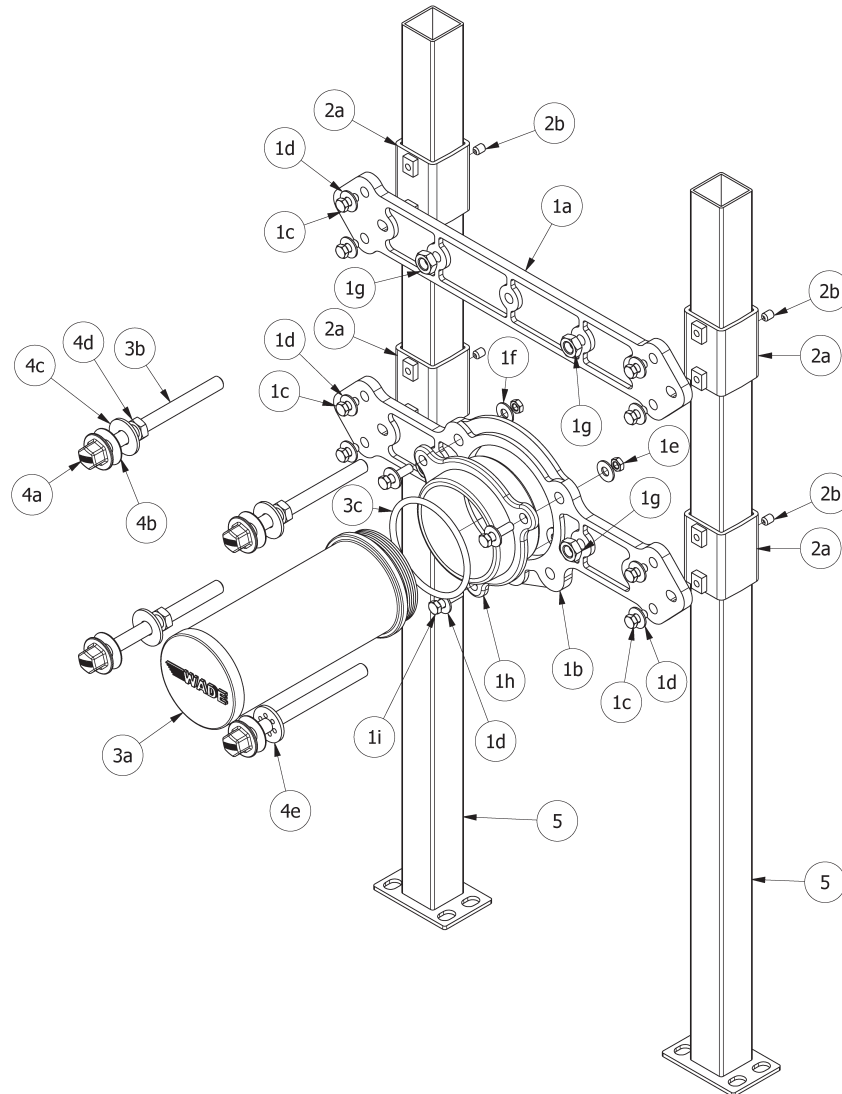
Cat. No./Features	Description	UPC#	List Price
009	Narrow, 9"	309192	607.00
011	Narrow, 11"	309208	607.00
014	Narrow, 14"	309215	607.00
01	Flat, 12"	309161	607.00
02	Flat, 16"	309178	607.00
03	Flat, 19"	309185	607.00

**OPTIONS FOR 620,630**

AM27	Valve Plate	234579	179.00
M3	1FA-M3, VP Hdw.	300472	160.00
M5	Wrench for VP Capnuts	228684	177.00

### 640 Sink Carrier with Hanger Plate & Bearing Support

Item	Product #	UPC	List Price	Qty
Faceplate Assembly (1a-1h)				
1	WP640-FP Assembly Box 2	444589	634.00	1
Uprights/Support Assembly (2a-2b, 5)				
2, 5	WP640-Uprights Box 1	444596	424.00	1
Coupling Packages (3a-3d)				
3,4	WP300-7C-Kit	408703	402.00	1
Replacement Parts (Couplings Only)				
3a	WP300-7C-Coupling	408666	183.00	1
Replacement Parts				
3c	GD-53 O-Ring Gasket	407515	22.00	1
3d	18CA Hardware Bag	228264	39.00	1
4	1FA Hardware Bag (4a-4f) *	300465	307.00	1
5	PU-22-47 Square Upright	406419	231.00	2
†	G1-M8 Bowl Gasket	246855	51.00	1
†	G1-M8-2 Bowl Gasket (5/8")	264163	138.00	1
†	G1-M9 Bowl Gasket (1")	264164	125.00	1
† Item Not Illustrated * 1FA Hardware Bag Includes G1-M8 Bowl Gasket				



CARRIERS

WOG721

Cat.No. UPC# List Price

Cat.No. UPC# List Price



640 M36

**640 CLINICAL SERVICE SINK CARRIER**

Clinical service sink carrier with square steel uprights, welded base feet, cast iron dual faceplates, closet horns with 4" threaded connection, ABS closet coupling, zinc plated support hardware and chrome plated fixture nuts

**640 COMPLETE ASSEMBLIES**

Service sink carrier with 4" coupling and uprights.

Cat. No.	Description	UPC#	List Price
640.....	w/Rect. Upright Carrier.....	406136.....	1,410.00
640-N42.....	.....	544883.....	1,690.00
640-N44.....	.....	544882.....	1,690.00

**OPTIONS FOR 640**

Cat. No.	Pipe Size	Vent Size	UPC#	List Price
Single:				
350-N2.....	4.....	2.....	378822.....	678.00
350-N4.....	4.....	4.....	379867.....	678.00
Single:				
360-NL.....	4.....	2L.....	018285.....	664.00
360-NR.....	4.....	2R.....	018278.....	664.00



**WOG721**

**CARRIERS**

Cat.No.

UPC#

List Price

Cat.No.

UPC#

List Price

**CARRIERS**

CARRIERS

WOG721

Cat.No.	UPC#	List Price
---------	------	------------

Cat.No.	UPC#	List Price
---------	------	------------