



**Best**

**International**



**Brighton**

**METRIC**

- SOCKET CAP
- SOCKET COUNTERSUNK
- SOCKET BUTTON
- SOCKET LOW HEAD
- SOCKET SET SCREWS
- CUP - DOG - FLAT - CONE - KNURLED
- FINE PITCH SOCKET CAP
- SOCKET FLANGE BUTTON

**Socket Screw**

**RANGE LIST**

**Technical Information**



# INDEX

## METRIC SOCKET SCREWS

Page

<b>CAP HEAD SCREWS</b> <i>TORQUE INFORMATION</i>	<b>3</b>
<i>DIMENSIONAL INFORMATION</i>	<b>4 - 5</b>
M1.6 - M5	<b>6</b>
M6 - M10	<b>7</b>
M12 - M18	<b>8</b>
M20 - M27	<b>9</b>
M30 - M42	<b>10</b>
<b>FINE PITCH CAP</b> M6 - M16	<b>11</b>
<b>LOW HEAD SCREWS</b> <i>TECHNICAL INFORMATION</i>	<b>12</b>
M4 - M16	<b>13</b>
<b>COUNTERSUNK SCREWS</b> <i>TECHNICAL INFORMATION</i>	<b>14 - 15</b>
M2 - M4	<b>16</b>
M5 - M10	<b>17</b>
M12 - M24	<b>18</b>
<b>BUTTON HEAD SCREWS</b> <i>TECHNICAL INFORMATION</i>	<b>19</b>
M2 - M5	<b>20</b>
M6 - M16	<b>21</b>
<b>SET SCREWS</b> <i>TECHNICAL INFORMATION CUP POINT</i>	<b>22</b>
<i>TECHNICAL INFORMATION OTHER POINTS</i>	<b>23</b>
CUP POINT M1.6 - M8	<b>24</b>
M10 - M24	<b>25</b>
KNURLED CUP POINT M3 - M24	<b>26</b>
CONE POINT M3 - M24	<b>27</b>
FLAT POINT M2 - M16	<b>28</b>
DOG POINT M3 - M24	<b>29</b>
<b>FLANGE BUTTON HEAD</b> M3 - M10 SC/ZINC	<b>30</b>



# METRIC

## SOCKET CAP SCREW **DIN 912 12.9** SUGGESTED TIGHTENING TORQUE

Minimum Ultimate Tensile Loads-Metric Hex. Socket Head Cap Screws (ISO 898-1)			Suggested Seating Torque (see warning notes)	
Nominal Size	Stress Area(mm <sup>2</sup> )	Property Class 12.9	Torque Value Nm	
		Tensile Loads (N)	Self Colour	Zinc Plated
<b>M1.6</b>	1.27	1550	0.30	0.21
<b>M2</b>	2.07	2530	0.60	0.43
<b>M2.5</b>	2.48	4141	1.25	0.90
<b>M3</b>	5.03	6140	2.20	1.50
<b>M4</b>	8.78	10700	4.83	3.40
<b>M5</b>	14.20	17300	10.00	6.90
<b>M6</b>	20.10	24500	16.80	11.80
<b>M8</b>	36.60	44600	41.00	29.00
<b>M10</b>	58.00	70800	81.00	58.00
<b>M12</b>	84.30	103000	142.00	100.00
<b>M14</b>	115.00	140000	226.00	157.00
<b>M16</b>	157.00	192000	350.00	242.00
<b>M18</b>	192.00	234000	485.00	340.00
<b>M20</b>	245.00	299000	685.00	480.00
<b>M22</b>	303.00	370000	930.00	650.00
<b>M24</b>	353.00	431000	1180.00	820.00
<b>M27</b>	459.00	560000	1730.00	1235.00
<b>M30</b>	561.00	684000	2380.00	1685.00

To convert to lbf.in. multiply by 8.838

### **WARNING**

1. Conversion factors: 1MPa=1N/mm<sup>2</sup> ; 1kgf=9.8N ; 1MPa=145 p.s.i. approximately  
Thread height is approximately 0.6135p
2. The self colour screw surface finish for self colour is "Black Oxide" after heat treatment.
3. Metric thread: Grade 12.9 is 4g 6g thread class. Please refer to ISO 965 standard.
4. The above specification is for coarse threads only.
5. Suggested seating torque values, only apply to metric Grade 12.9 hex, socket head cap screws. **The tightening torque will change, if fixing takes place with materials or surface finishes with variable fixing coefficient.** The self colour table can only be applied to coefficient of friction in which the screw maintains it's status, without any additional treatment after heat treatment and that the thread has anti-rustic oil protection.
6. **The data above should only be used as a reference guide.** The proper torque can only be determined by analyzing the design parameters which include temperature plating, lubrication, face material, washer type and condition of the mating threads. Short term tensile creep and stress relaxation should be considered for applications where the temperature exceeds 400°F (204°C). Lower ductility, impact strength and fatigue life must be considered for screws subject to temperatures below -20°F (-29°C).



# METRIC

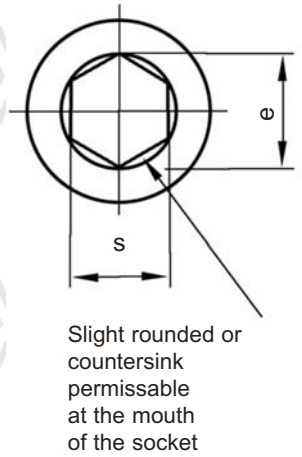
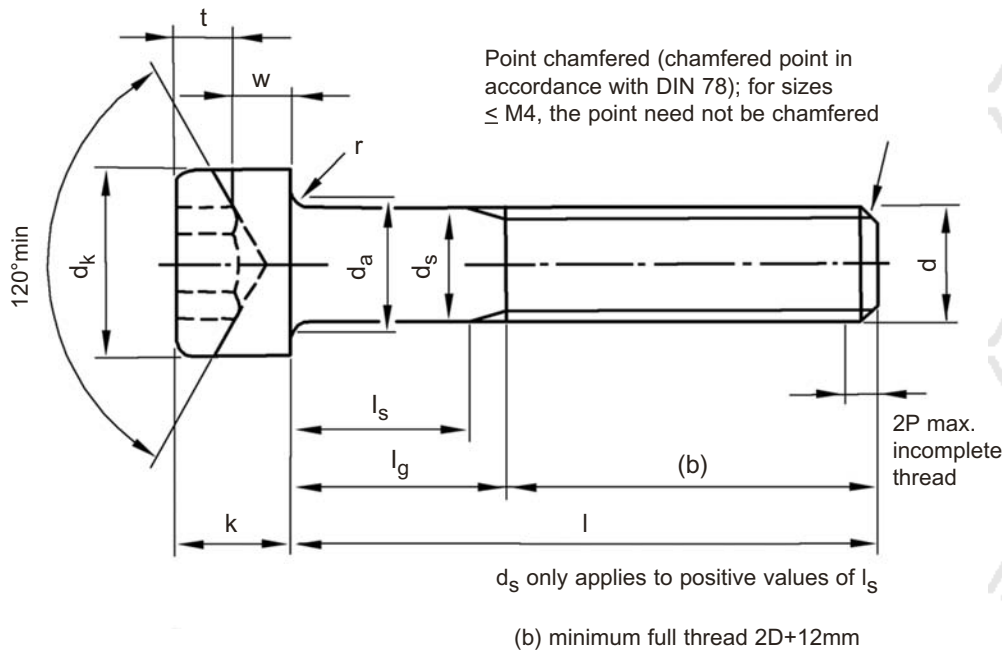
## SOCKET HEAD CAP SCREWS **DIN 912**

### TECHNICAL INFORMATION

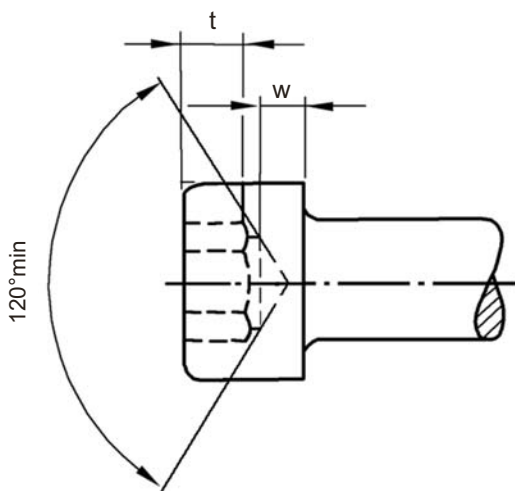
USA SPECIFICATION ANSI B18.3.1M 1986

UK SPECIFICATION BS 4168

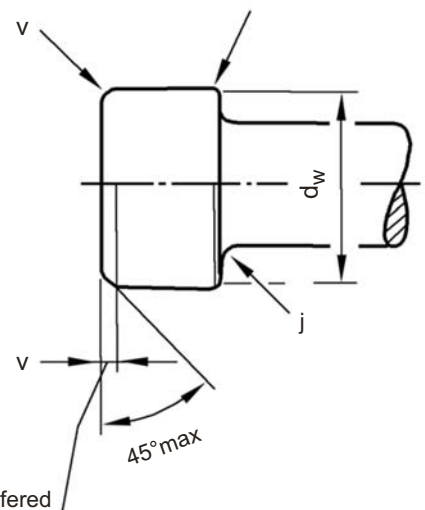
WORLD SPECIFICATION ISO 4762



Permissible alternative form of socket



Bottom edges of head can be rounded or chamfered to  $d_w$  but shall be deburred



Top head will be radiused or chamfered





# METRIC

## SOCKET HEAD CAP SCREWS TECHNICAL INFORMATION **DIN 912**

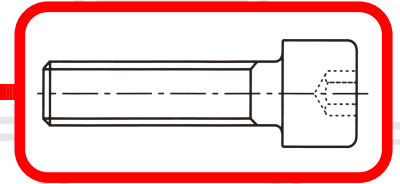
thread size d													KEY						
	pitch	d <sub>k</sub>		d <sub>a</sub>		d <sub>s</sub>		e	f	k		r	s			t	v	d <sub>w</sub>	w
		max 2	max 3	min	max	max	min	min 4	max	max	min	min	nom	min	max	min	max	min	min
<b>M1.4</b>	0.30	2.6	2.74	2.46	1.8	1.4	1.26	1.50	0.34	1.4	1.26	0.10	1.3	1.320	1.360	0.6	0.14	2.32	0.50
<b>M1.6</b>	0.35	3.0	3.14	2.86	2.0	1.6	1.46	1.73	0.34	1.6	1.46	0.10	1.5	1.520	1.560	0.7	0.16	2.72	0.55
<b>M2</b>	0.40	3.8	3.98	3.62	2.6	2.0	1.86	1.73	0.51	2.0	1.86	0.10	1.5	1.520	1.560	1.0	0.20	3.48	0.55
<b>M2.5</b>	0.45	4.5	4.68	4.32	3.1	2.5	2.36	2.30	0.51	2.5	2.36	0.10	2	2.020	2.060	1.1	0.25	4.18	0.85
<b>M3</b>	0.50	5.5	5.68	5.32	3.6	3.0	2.86	2.87	0.51	3.0	2.86	0.10	2.5	2.520	2.580	1.3	0.30	5.07	1.15
<b>M4</b>	0.70	7.0	7.22	6.78	4.7	4.0	3.82	3.44	0.60	4.0	3.82	0.20	3	3.020	3.080	2.0	0.40	6.53	1.40
<b>M5</b>	0.80	8.5	8.72	8.28	5.7	5.0	4.82	4.58	0.60	5.0	4.82	0.20	4	4.020	4.095	2.5	0.50	8.03	1.90
<b>M6</b>	1.00	10.0	10.22	9.78	6.8	6.0	5.82	5.72	0.68	6.0	5.70	0.25	5	5.020	5.140	3.0	0.60	9.38	2.30
<b>M8</b>	1.25	13.0	13.27	12.73	9.2	8.0	7.78	6.86	1.02	8.0	7.64	0.40	6	6.020	6.140	4.0	0.80	12.33	3.00
<b>M10</b>	1.50	16.0	16.27	15.73	11.2	10.0	9.78	9.15	1.02	10.0	9.64	0.40	8	8.025	8.175	5.0	1.00	15.33	4.00
<b>M12</b>	1.75	18.0	18.27	17.73	13.7	12.0	11.73	11.43	1.87	12.0	11.57	0.60	10	10.025	10.175	6.0	1.20	17.23	4.80
<b>M14</b>	2.00	21.0	21.33	20.67	15.7	14.0	13.73	13.72	1.87	14.0	13.57	0.60	12	12.032	12.212	7.0	1.40	20.17	5.80
<b>M16</b>	2.00	24.0	24.33	23.67	17.7	16.0	15.73	16.00	1.87	16.0	15.57	0.60	14	14.032	14.212	8.0	1.60	23.17	6.80
<b>M18</b>	2.50	27.0	27.33	26.67	20.2	18.0	17.73	16.00	1.87	18.0	17.57	0.60	14	14.032	14.212	9.0	1.80	25.87	7.80
<b>M20</b>	2.50	30.0	30.33	29.67	22.4	20.0	19.67	19.44	2.04	20.0	19.48	0.80	17	17.050	17.230	10.0	2.00	28.87	8.60
<b>M22</b>	2.50	33.0	33.39	32.61	24.4	22.0	21.67	19.44	2.04	22.0	21.48	0.80	17	17.050	17.230	11.0	2.20	31.81	9.40
<b>M24</b>	3.00	36.0	36.39	35.61	26.4	24.0	23.67	21.73	2.04	24.0	23.48	0.80	19	19.065	19.275	12.0	2.40	34.81	10.40
<b>M27</b>	3.00	40.0	40.39	39.61	30.4	27.0	26.67	21.73	2.89	27.0	26.48	1.00	19	19.065	19.275	13.5	2.70	38.61	11.90
<b>M30</b>	3.50	45.0	45.39	44.61	33.4	30.0	29.67	25.15	2.89	20.0	29.48	1.00	22	22.065	22.275	15.5	3.00	43.61	13.10
<b>M33</b>	3.50	50.0	50.39	49.61	36.4	33.0	32.61	27.43	2.89	33.0	32.38	1.00	24	24.065	24.275	18.0	3.30	48.61	13.50
<b>M36</b>	4.00	54.0	54.46	53.54	39.4	36.0	35.61	30.85	2.89	36.0	35.38	1.00	27	27.065	27.275	19.0	3.60	52.54	15.30
<b>M42</b>	4.50	63.0	63.46	62.54	45.5	42.0	41.61	36.57	3.06	42.0	41.38	1.20	32	32.080	32.330	24.0	4.20	61.34	16.30





# METRIC

## SOCKET HEAD CAP SCREWS DIN 912 12.9



Diameter	Length	Box	Weight	Code
<b>M1.6</b> KEY SIZE 1.5mm A/F 0.35p	3	100	0.01	532501
	4	100	0.01	532502
	5	100	0.01	532504
	6	100	0.01	532506
	8	100	0.02	532507
	10	100	0.02	532509
	12	100	0.02	532007

Diameter	Length	Box	Weight	Code
<b>M2</b> KEY SIZE 1.5mm A/F 0.40p	3	100	0.02	532510
	4	100	0.02	532512
	5	100	0.02	532514
	6	100	0.02	532516
	8	100	0.03	532518
	10	100	0.03	532520
	12	100	0.03	532017
	14	100	0.03	532023
	16	100	0.03	532033
	20	50	0.03	532035
	25	50	0.03	532037

Diameter	Length	Box	Weight	Code
<b>M2.5</b> KEY SIZE 2mm A/F 0.45p	3	100	0.03	532524
	4	100	0.04	532526
	5	100	0.04	532528
	6	100	0.04	532530
	8	100	0.05	532532
	10	100	0.05	532534
	12	100	0.06	532536
	14	100	0.06	532039
	16	100	0.07	532538
	18	50	0.08	532542
	20	100	0.08	532546
	25	50	0.09	532047
	28	50	0.10	532544

Diameter	Length	Box	Weight	Code
<b>M3</b> KEY SIZE 2.5mm A/F 0.5p	4	200	0.06	532001
	5	200	0.06	532002
	6	500	0.07	532004
	8	500	0.08	532006
	10	500	0.08	532008
	12	500	0.09	532010
	14	500	0.10	532011
	15	500	0.11	532009
	16	500	0.11	532012
	18	500	0.11	532013
	20	500	0.13	532014
	22	500	0.15	532015
	25	500	0.16	532016
	30	500	0.18	532018
	35	200	0.21	532019
	40	200	0.25	532932
	45	100	0.31	532933
	50	50	0.34	532934
55	50	0.37	532935	
60	50	0.40	532936	

Diameter	Length	Box	Weight	Code
<b>M4</b> KEY SIZE 3mm A/F 0.7p	4	100	0.11	532021
	5	500	0.12	532540
	6	500	0.14	532020
	8	500	0.15	532022
	10	500	0.17	532024
	12	500	0.18	532026
	14	500	0.19	532027
	15	500	0.20	532025
	16	500	0.21	532028
	18	500	0.22	532029
	20	500	0.24	532030
	22	500	0.25	532031
	25	500	0.28	532032
	30	500	0.33	532034
	35	500	0.38	532036
	40	500	0.43	532038
	45	200	0.47	532040
	50	200	0.51	532042
	55	100	0.56	532043
	60	100	0.61	532044
	65	100	0.65	532045
70	100	0.84	532941	
75	100	0.89	532942	
80	100	0.94	532943	
85	100	1.00	532944	
90	100	1.06	532945	
100	100	1.24	532947	
110	50	1.31	532948	

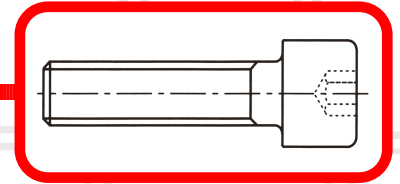
Diameter	Length	Box	Weight	Code
<b>M5</b> KEY SIZE 4mm A/F 0.8p	6	200	0.22	532046
	8	500	0.26	532048
	10	500	0.28	532050
	12	500	0.32	532052
	14	500	0.32	532053
	15	500	0.34	532051
	16	500	0.37	532054
	18	500	0.37	532055
	20	500	0.41	532056
	22	200	0.43	532057
	25	500	0.48	532058
	30	200	0.54	532060
	35	200	0.62	532062
	40	200	0.69	532064
	45	200	0.76	532066
	50	200	0.83	532068
	55	200	0.93	532069
	60	200	0.97	532070
	65	200	1.04	532071
	70	200	1.12	532067
	75	100	1.19	532545
	80	100	1.28	532073
	85	100	1.36	532951
	90	100	1.40	532952
	100	100	1.55	532954
	110	100	1.70	532955
	120	50	1.85	532956
	130	50	2.01	532958
140	50	2.16	532960	
150	25	2.29	532962	
160	25	2.36	532964	
170	10	2.46	532966	
180	10	2.56	532968	
200	10	2.76	532970	





# METRIC

## SOCKET HEAD CAP SCREWS DIN 912 12.9



Diameter	Length	Box	Weight	Code
<b>M6</b> KEY SIZE 5mm A/F 1.0p	6	200	0.37	532558
	8	200	0.40	532072
	10	200	0.42	532074
	12	200	0.46	532076
	14	200	0.50	532077
	15	200	0.53	532075
	16	200	0.56	532078
	18	200	0.59	532079
	20	200	0.61	532080
	22	200	0.65	532081
	25	200	0.68	532082
	28	100	0.70	532083
	30	200	0.81	532084
	35	200	0.91	532086
	40	200	1.03	532088
	45	200	1.13	532090
	50	200	1.24	532092
	55	200	1.32	532094
	60	200	1.44	532096
	65	200	1.54	532098
	70	200	1.63	532100
75	200	1.75	532102	
80	200	1.85	532560	
85	100	1.96	532561	
90	100	2.06	532562	
95	100	2.31	532563	
100	100	2.28	532564	
105	25	2.55	532565	
110	100	2.46	532566	
115	50	2.80	532567	
120	50	2.67	532568	
125	50	3.02	532569	
130	50	2.87	532570	
140	50	3.08	532572	
145	25	3.14	532573	
150	25	3.29	532574	
155	25	3.75	532503	
160	25	3.51	532576	
165	10	5.25	532554	
170	25	3.72	532571	
175	10	5.75	532550	
180	25	3.93	532577	
185	10	6.02	532556	
190	25	4.14	532575	
195	10	6.20	532557	
200	25	4.35	532578	
210	10	6.65	532559	

Diameter	Length	Box	Weight	Code
<b>M8</b> KEY SIZE 6mm A/F 1.25p	50	200	2.36	532124
	55	200	2.55	532126
	60	200	2.75	532128
	65	100	2.93	532130
	70	100	3.10	532132
	75	100	3.29	532134
	80	100	3.44	532136
	85	100	3.64	532137
	90	100	3.83	532138
	100	100	4.38	532140
	110	50	4.58	532580
	120	50	5.29	532582
	130	50	5.47	532107
	140	50	5.66	532109
	150	25	6.04	532111
	160	25	6.56	532113
	170	25	6.92	532586
	180	25	7.24	532119
	190	25	7.66	532587
	200	25	8.33	532115
	220	25	9.43	532105
240	10	10.51	532123	
260	10	11.61	532125	
280	10	12.71	532127	
300	10	13.79	532129	

Diameter	Length	Box	Weight	Code
<b>M8</b> KEY SIZE 6mm A/F 1.25p	8	100	0.91	532579
	10	200	0.95	532106
	12	200	1.01	532108
	14	200	1.07	532103
	15	200	1.11	532104
	16	200	1.15	532110
	18	200	1.18	532117
	20	200	1.29	532112
	22	200	1.33	532121
	25	200	1.41	532114
	30	200	1.56	532116
	35	200	1.77	532118
	40	200	1.96	532120
	45	200	2.17	532122

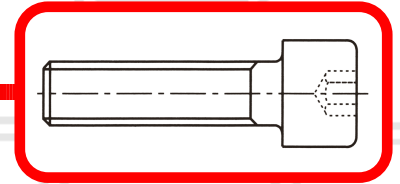
Diameter	Length	Box	Weight	Code
<b>M10</b> KEY SIZE 8mm A/F 1.5p	10	100	1.67	532143
	12	200	1.74	532144
	14	100	1.85	532145
	15	100	1.91	532142
	16	200	1.97	532146
	18	100	2.07	532147
	20	200	2.21	532148
	22	100	2.26	532149
	25	200	2.45	532150
	30	200	2.63	532152
	35	100	2.90	532154
	40	100	3.24	532156
	45	100	3.52	532158
	50	100	3.83	532160
	55	100	4.14	532162
	60	100	4.44	532164
	65	100	4.74	532166
	70	100	5.02	532168
	75	100	5.32	532170
	80	100	5.57	532172
	85	50	5.89	532173
	90	50	6.20	532174
	100	50	6.75	532176
	110	50	7.32	532178
	120	50	7.88	532180
	130	50	8.60	532182
	140	50	9.18	532184
	150	50	9.69	532186
	160	50	10.30	532179
	170	25	10.83	532840
180	25	11.03	532181	
190	25	12.11	532842	
200	25	12.64	532185	
220	25	13.83	532848	
240	10	15.69	532133	
260	10	17.12	532135	
280	5	18.55	532139	
300	5	19.98	532151	





# METRIC

## SOCKET HEAD CAP SCREWS **DIN 912 12.9**



Diameter	Length	Box	Weight	Code
<b>M12</b> KEY SIZE 10mm A/F 1.75p	12	50	2.63	532188
	14	50	2.72	532197
	15	50	2.73	532189
	16	100	2.91	532190
	18	50	2.99	532191
	20	100	3.07	532192
	22	50	3.32	532193
	25	100	3.52	532194
	30	100	3.89	532196
	35	100	4.23	532198
	40	100	4.50	532200
	45	100	5.05	532202
	50	100	5.46	532204
	55	100	5.85	532206
	60	50	6.30	532208
	65	50	6.80	532210
	70	50	7.21	532212
	75	50	7.58	532214
	80	50	8.02	532216
	85	25	8.46	532217
	90	25	8.89	532218
	95	25	9.45	532219
	100	25	9.78	532220
	110	25	10.54	532222
	120	25	11.73	532224
	125	25	11.96	532225
	130	25	12.18	532226
	140	25	13.14	532228
	150	25	13.92	532230
	160	25	15.07	532232
170	10	15.84	532233	
180	10	16.62	532234	
190	10	17.49	532235	
200	10	18.36	532236	
220	10	19.96	532237	
240	10	21.86	532238	
260	10	23.94	532239	
280	10	26.02	532157	
300	10	28.11	532159	

Diameter	Length	Box	Weight	Code
<b>M16</b> KEY SIZE 14mm A/F 2.0p	20	25	7.50	532241
	25	50	7.21	532240
	30	50	7.89	532246
	35	50	8.53	532248
	40	50	9.18	532250
	45	50	9.86	532252
	50	50	10.58	532254
	55	50	11.38	532256
	60	25	12.16	532258
	65	25	12.82	532260
	70	25	13.60	532262
	75	25	14.40	532264
	80	25	15.20	532266
	85	25	15.95	532268
	90	25	16.70	532270
	95	25	16.92	532271
	100	25	18.22	532272
	110	25	19.80	532273
	120	25	21.40	532274
	130	25	22.78	532275
	140	10	24.42	532276
	150	10	26.02	532277
	160	10	27.40	532278
	170	10	29.01	532257
	180	10	30.42	532279
	200	10	33.42	532280
	220	10	36.96	532281
	240	10	38.00	532910
	260	10	46.11	532285
	280	10	47.00	532287
300	10	49.59	532289	
360	10	44.00	532291	

Diameter	Length	Box	Weight	Code
<b>M14</b> KEY SIZE 12mm A/F 2.0p	25	50	5.08	532584
	30	50	5.48	532585
	35	50	6.01	532588
	40	50	6.50	532591
	45	50	6.98	532594
	50	50	7.52	532597
	55	50	8.20	532600
	60	50	8.80	532603
	65	25	9.34	532605
	70	25	10.02	532606
	75	25	10.56	532608
	80	25	11.14	532609
	85	25	11.67	532611
	90	25	12.34	532612
	100	25	13.52	532615
	110	25	14.78	532618
	120	25	15.94	532621
130	25	17.14	532624	
140	25	18.32	532626	
150	25	19.52	532628	
160	25	20.65	532629	
220	10	27.74	532630	

Diameter	Length	Box	Weight	Code
<b>M18</b> KEY SIZE 14mm A/F 2.5p	30	25	11.18	532511
	35	25	11.89	532513
	40	25	12.60	532515
	45	25	13.38	532517
	50	25	14.40	532519
	55	10	14.84	532531
	60	25	16.38	532521
	65	10	17.14	532533
	70	25	18.22	532523
	75	10	19.02	532535
	80	10	20.02	532525
	90	10	22.06	532527
	100	10	24.00	532529
	110	10	26.91	532537
	120	10	27.90	532539
	130	10	29.88	532541
	140	10	31.80	532543
150	10	33.76	532547	
160	10	35.72	532549	
180	10	39.64	532551	
200	10	43.56	532553	

**ALSO AVAILABLE  
ZINC PLATED**

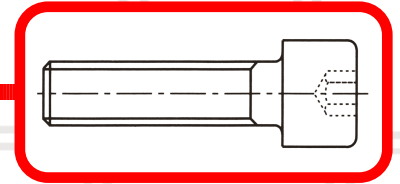






# METRIC

## SOCKET HEAD CAP SCREWS **DIN 912 12.9**



Diameter	Length	Box	Weight	Code
<b>M20</b> KEY SIZE 17mm A/F 2.5p	30	25	14.11	532283
	35	25	15.14	532284
	40	25	16.14	532286
	45	25	17.40	532288
	50	25	18.26	532290
	55	25	19.38	532292
	60	25	20.62	532294
	65	25	22.02	532296
	70	25	22.32	532298
	75	10	24.18	532300
	80	10	25.64	532302
	90	10	27.70	532306
	100	10	30.12	532308
	110	10	32.80	532310
	120	10	35.10	532312
	130	10	37.50	532314
	140	10	39.82	532316
	150	10	42.26	532318
	160	10	44.48	532320
	170	10	47.41	532319
	180	10	50.12	532321
	190	10	52.20	532327
	200	10	54.30	532322
	220	5	59.20	532311
240	5	64.12	532313	
260	5	69.00	532317	
280	5	73.00	532323	
300	5	79.00	532324	
320	1	84.00	532325	
340	1	89.00	532326	

Diameter	Length	Box	Weight	Code
<b>M24</b> KEY SIZE 19mm A/F 3.0p	40	10	26.28	532329
	45	10	27.76	532331
	50	10	29.28	532328
	55	10	30.98	532330
	60	10	32.48	532332
	65	10	33.82	532334
	70	10	35.10	532336
	75	10	37.38	532338
	80	10	38.86	532340
	90	10	42.31	532342
	100	10	45.70	532344
	110	10	49.08	532346
	120	10	52.46	532348
	130	10	55.94	532350
	140	5	59.10	532352
	150	5	62.54	532354
	160	5	66.34	532356
	170	5	69.93	532364
	180	5	73.52	532358
	200	5	80.68	532360
	220	5	87.42	532351
	240	5	94.48	532353
	260	1	102.00	532355
	270	1	106.00	532345
280	1	110.00	532357	
300	1	117.00	532359	
320	1	130.00	532361	
340	1	145.00	532363	
350	1	197.00	532366	

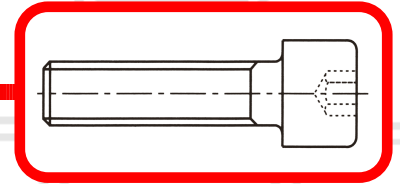
Diameter	Length	Box	Weight	Code
<b>M22</b> KEY SIZE 17mm A/F 2.5p	40	10	21.50	532601
	45	10	22.80	532604
	50	10	24.04	532607
	55	10	25.30	532610
	60	10	26.49	532613
	65	10	27.68	532616
	70	10	29.12	532619
	75	10	30.26	532661
	80	10	32.52	532625
	90	10	35.08	532627
	100	10	38.05	532631
	110	10	41.18	532635
	120	10	44.16	532639
	130	5	46.90	532643
	140	5	49.78	532645
	150	5	52.72	532649
	160	5	55.74	532651
	180	5	61.42	532655
	200	5	67.42	532659
	220	5	73.53	532632
	240	5	79.09	532633
	260	5	84.84	532634
	280	5	90.55	532636
	300	1	96.34	532638
320	1	102.13	532640	
340	1	107.85	532641	

Diameter	Length	Box	Weight	Code
<b>M27</b> KEY SIZE 19mm A/F 3.0p	50	5	40.50	532374
	60	5	44.50	532376
	70	5	48.18	532378
	80	5	51.95	532380
	90	5	55.72	532400
	100	5	61.16	532405
	110	5	65.76	532410
	120	5	70.20	532415
	130	5	74.58	532420
	140	5	78.90	532424
	150	5	83.37	532428
	160	5	87.72	532432
	170	5	92.13	532434
	180	5	96.54	532436
	190	1	100.87	532437
	200	1	105.20	532438
	220	1	123.10	532442
	240	1	135.17	532446
	260	1	141.45	532450
	280	1	146.60	532453
	300	1	148.50	532457
	320	1	150.40	532451
	340	1	162.00	532452
	360	1	174.00	532454
380	1	181.00	532455	
400	1	192.00	532456	



# METRIC

## SOCKET HEAD CAP SCREWS **DIN 912 12.9**



Diameter	Length	Box	Weight	Code
<b>M30</b> KEY SIZE 22mm A/F 3.5p	50	5	55.87	532458
	60	5	58.00	532485
	70	5	63.00	532460
	75	5	66.00	532462
	80	5	68.00	532463
	90	5	72.00	532466
	100	5	76.00	532469
	110	5	80.10	532472
	120	5	83.42	532475
	130	5	88.88	532478
	140	5	94.92	532481
	150	5	105.00	532484
	160	1	116.00	532487
	170	1	119.00	532486
	180	1	122.00	532490
	200	1	132.00	532493
	210	1	139.00	532488
	220	1	142.80	532489
	240	1	154.00	532496
	260	1	163.00	532499
280	1	173.00	532491	
300	1	190.00	532500	
320	1	194.00	532505	
340	1	205.00	532492	
360	1	216.00	532508	
380	1	226.00	532662	
400	1	244.00	532637	

Diameter	Length	Box	Weight	Code
<b>M42</b> KEY SIZE 32mm A/F 4.5p	80	1	155.75	532749
	90	1	165.58	532750
	100	1	175.40	532751
	110	1	185.22	532755
	120	1	193.14	532759
	130	1	210.48	532763
	140	1	221.50	532767
	150	1	226.11	532771
	160	1	236.64	532775
	170	1	247.21	532777
	180	1	257.79	532779
	200	1	267.91	532783
	220	1	291.56	532787
	240	1	312.71	532791
	260	1	352.80	532795
	280	1	366.83	532799
	300	1	396.90	532801
	320	1	418.95	532805
	340	1	441.00	532809
	360	1	463.05	532813
380	1	485.10	532817	
400	1	507.15	532821	
500	1	506.00	532835	

Diameter	Length	Box	Weight	Code
<b>M36</b> KEY SIZE 27mm A/F 4.0p	70	1	100.43	532660
	75	1	102.23	532665
	80	1	104.24	532663
	90	1	111.45	532666
	100	1	118.67	532669
	110	1	125.89	532672
	120	1	133.10	532675
	130	1	140.32	532678
	140	1	148.34	532681
	150	1	156.36	532684
	160	1	163.37	532687
	170	1	172.79	532688
	180	1	182.21	532690
	190	1	189.33	532689
	200	1	196.45	532693
	220	1	211.48	532694
	240	1	225.01	532696
	260	1	240.04	532699
	280	1	255.08	532701
	300	1	274.12	532702
320	1	291.26	532705	
340	1	308.50	532706	
360	1	321.23	532708	
380	1	339.77	532711	
400	1	353.30	532714	

**SOLD ONLY  
THROUGH  
YOU  
OUR  
DISTRIBUTOR**

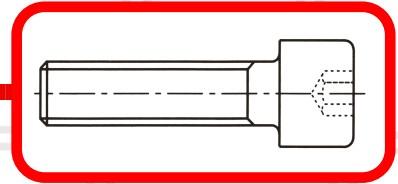


# METRIC

# FINE PITCH

## SOCKET HEAD CAP SCREWS

### DIN 912 12•9



Diameter	Length	Box	Weight	Code
<b>M6</b> KEY SIZE 5mm A/F 0.75p <b>FINE</b>	16	200	0.56	958201
	18	200	0.59	958206
	20	200	0.61	958211
	22	200	0.65	958216
	25	200	0.68	958221
	30	200	0.81	958226
	35	200	0.91	958231
	40	200	1.03	958236
	45	200	1.13	958241
	50	200	1.24	958246

<b>M8</b> KEY SIZE 6mm A/F 1.00p <b>FINE</b>	16	200	1.15	532849
	18	200	1.18	958250
	20	200	1.29	532851
	22	200	1.33	958252
	25	200	1.41	532853
	30	200	1.56	532855
	35	200	1.77	532857
	40	100	1.96	532859
	45	100	2.17	532860
	50	100	2.36	532861
	55	100	2.55	958261
	60	100	2.75	532863
65	100	2.93	958262	
70	100	3.10	958264	
80	100	3.44	532865	

<b>M10</b> KEY SIZE 8mm A/F 1.00p <b>FINE</b>	20	200	2.21	958272
	22	100	2.26	958273
	25	100	2.45	958274
	30	100	2.63	958275
	35	100	2.90	958276
	40	100	3.24	958277
	45	100	3.52	958278
	50	100	3.83	958279
	55	100	4.14	958280
	60	100	4.44	958281
	65	50	4.74	958282
	70	50	5.02	958283
	75	50	5.32	958284
	80	50	5.57	958285
85	50	5.87	958286	
90	50	6.20	958287	
100	50	6.75	958288	

<b>M10</b> KEY SIZE 8mm A/F 1.25p <b>FINE</b>	16	100	1.93	532920
	20	200	2.21	532918
	22	100	2.30	958310
	25	200	2.45	532867
	30	200	2.63	532869
	35	200	2.90	532919
	40	100	3.24	532871
	45	100	3.52	532921
	50	100	3.83	532873
	55	100	4.14	532874
	60	100	4.44	532875
	65	50	4.74	532923
	70	50	5.02	532925
	75	50	5.32	532926
	80	50	5.57	532877
	85	50	5.99	958320
	90	50	6.20	532929
	100	50	6.75	532931

Diameter	Length	Box	Weight	Code
<b>M12</b> KEY SIZE 10mm A/F 1.25p <b>FINE</b>	20	50	3.22	532940
	25	50	3.52	532939
	30	50	3.89	532891
	35	50	4.29	532993
	40	25	4.50	532893
	45	25	5.05	532894
	50	25	5.46	532895
	55	25	5.85	532946
	60	25	6.30	532898
	65	25	6.80	532998
	70	25	7.21	532953
	75	25	7.58	532957
	80	25	8.02	532899
	90	25	8.89	532961
100	25	9.78	532901	
120	25	11.72	532971	

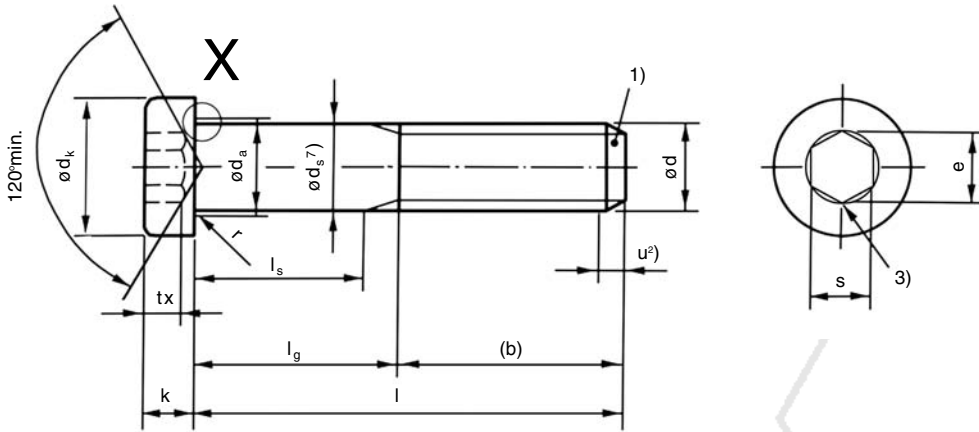
<b>M12</b> KEY SIZE 10mm A/F 1.50p <b>FINE</b>	25	50	3.52	958362
	30	50	3.89	958363
	35	50	4.29	958364
	40	25	4.50	958365
	45	25	5.05	958366
	50	25	5.46	958367
	55	25	5.85	958368
	60	25	6.30	958369
	65	25	6.80	958370
	70	25	7.21	958371
	75	25	7.58	958372
	80	25	8.02	958373
90	25	8.89	958374	
100	25	9.78	958375	

<b>M14</b> KEY SIZE 12mm A/F 1.50p <b>FINE</b>	30	25	5.48	532975
	35	25	6.01	532977
	40	25	6.50	532979
	45	25	7.01	958420
	50	25	7.52	532981
	55	25	8.20	532983
	60	25	8.80	532985
	65	15	9.34	958424
	70	15	10.02	532988
	75	15	10.56	958426
	80	15	11.14	958428
	90	15	12.34	958430
100	15	13.52	958432	

<b>M16</b> KEY SIZE 14mm A/F 1.50p <b>FINE</b>	25	25	7.89	532922
	30	25	7.89	532909
	35	25	8.53	532987
	40	25	9.18	532911
	45	25	9.86	532914
	50	25	10.58	532913
	55	15	11.92	532972
	60	15	12.16	532915
	65	15	12.82	958442
	70	15	13.60	958444
	75	15	14.40	958446
	80	15	15.20	532917
	90	15	17.32	532973
	100	15	18.80	532974

# METRIC

## LOW HEAD SOCKET SCREWS **DIN 7984 10•9**



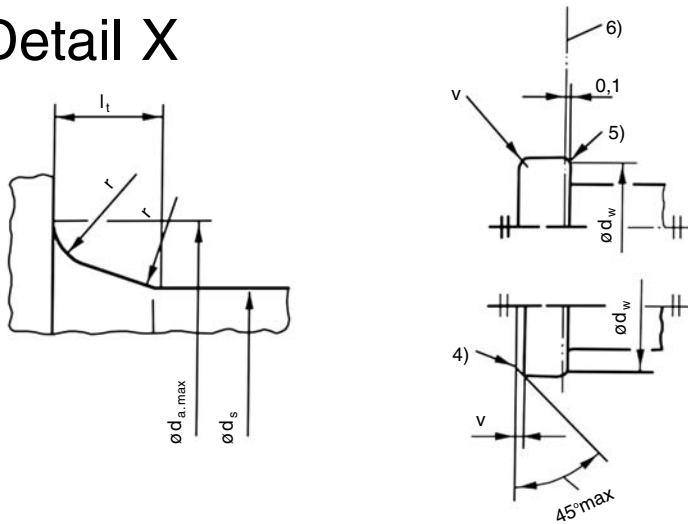
Maximum underhead fillet

$$l_{f,max} = 1,7 r_{max}$$

$$r_{max} = \frac{d_{a,max} - d_{s,max}}{2}$$

For  $r_{min}$ , see table 1

### Detail X



#### Key to figure

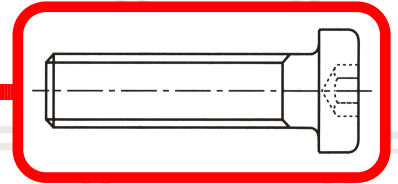
- 1) End chamfered (cf. DIN EN ISO 4753).
- 2) Length of incomplete thread,  $u$ : 2 P maximum.
- 3) Slight rounding or countersinking at the mouth of the socket is permitted (no further than  $e$ ).
- 4) Top edge of head rounded or chamfered (optional)
- 5) Bottom edge of head may be rounded or chamfered to  $d_w$ , but shall always be free from burr.
- 6) Datum for  $d_w$ .
- 7)  $d_s$  applies if values of  $l_{s,min}$  are specified

Thread (d)	P <sup>1)</sup> Pitch	b Reference Dimension			d <sub>2</sub>		d <sub>a</sub>		d <sub>s</sub>		d <sub>w</sub>		e <sup>5)</sup>		l <sub>r</sub>		k		r		s		t		v		
		2)	3)	4)	max	min	max	max	min	min	min	max	max	min	max	nom	min	max	nom	min	max	nom	min	max	nom	min	max
<b>M4</b>	0.70	14	-	-	7.0	6.78	4.7	4	3.82	6.20	2.87	0.60	2.8	2.66	0.20	2.5	2.520	2.600	2.3	2.18	2.42	0.4					
<b>M5</b>	0.80	16	-	-	8.5	8.28	5.7	5	4.82	7.70	3.44	0.60	3.5	3.32	0.20	3.0	3.020	3.100	2.7	2.58	2.82	0.5					
<b>M6</b>	1.00	18	-	-	10.0	9.78	6.8	6	5.82	9.20	4.58	0.68	4.0	3.82	0.25	4.0	4.020	4.120	3.0	2.88	3.12	0.6					
<b>M8</b>	1.25	22	28	-	13.0	12.73	9.2	8	7.78	12.03	5.72	1.02	5.0	4.82	0.40	5.0	5.020	5.140	3.8	3.65	3.95	0.8					
<b>M10</b>	1.50	26	32	-	16.0	15.73	11.2	10	9.78	15.03	8.01	1.02	6.0	5.82	0.40	7.0	7.025	7.175	4.5	4.35	4.65	1.0					
<b>M12</b>	1.75	30	36	-	18.0	17.73	13.7	12	11.73	17.03	9.15	1.87	7.0	6.78	0.60	8.0	8.025	8.175	5.0	4.85	5.15	1.2					
<b>M16</b>	2.00	38	44	57	24.0	23.67	17.70	16	15.73	22.83	13.72	1.87	9.0	8.78	0.60	12	12.032	12.212	5.5	5.35	5.65	1.6					



# METRIC

## LOW HEAD SOCKET SCREWS DIN 7984 10•9



Diameter	Length	Box	Weight	Code
<b>M4</b> KEY SIZE 2.5mm A/F 0.7p	6	500	0.13	531034
	8	500	0.13	531036
	10	500	0.14	531040
	12	500	0.18	531042
	16	500	0.23	531045
	20	500	0.26	531049
	25	500	0.31	531054
	30	500	0.33	531056
	35	500	0.37	531057
	40	500	0.40	531058

Diameter	Length	Box	Weight	Code
<b>M8</b> KEY SIZE 5mm A/F 1.25p	10	200	0.49	531124
	12	200	0.58	531126
	16	200	0.78	531132
	20	200	0.91	531138
	25	200	1.08	531146
	30	200	1.29	531152
	35	100	1.50	531160
	40	50	1.69	531162
	45	50	1.87	531164
	50	200	2.03	531166
	60	50	2.15	531168
	80	50	2.27	531170

Diameter	Length	Box	Weight	Code
<b>M5</b> KEY SIZE 3mm A/F 0.8p	8	500	0.22	531064
	10	500	0.24	531066
	12	500	0.27	531069
	14	500	0.28	531071
	16	500	0.31	531072
	20	500	0.35	531078
	22	500	0.35	531080
	25	500	0.46	531085
	30	500	0.50	531086
	35	500	0.54	531087
	40	500	0.58	531088
	45	500	0.63	531089
	50	500	0.67	531090

Diameter	Length	Box	Weight	Code
<b>M10</b> KEY SIZE 7mm A/F 1.5p	12	200	1.27	531172
	16	200	1.38	531180
	20	100	1.64	531186
	25	100	1.83	531194
	30	100	2.04	531200
	35	100	2.41	531208
	40	50	2.71	531210
	45	50	3.01	531212
	50	50	3.30	531214
	55	50	3.59	531216
	60	50	3.90	531218
	80	50	4.22	531220

Diameter	Length	Box	Weight	Code
<b>M6</b> KEY SIZE 4mm A/F 1.0p	8	200	0.31	531092
	10	200	0.36	531094
	12	200	0.39	531097
	16	200	0.41	531102
	20	200	0.54	531106
	25	200	0.64	531112
	30	200	0.73	531118
	35	200	0.82	531119
	40	200	0.91	531120
	45	200	1.00	531121
	50	200	1.10	531122
	60	200	1.20	531123

Diameter	Length	Box	Weight	Code
<b>M12</b> KEY SIZE 8mm A/F 1.75p	20	100	3.22	531252
	25	100	2.80	531264
	30	100	3.16	531270
	35	100	3.54	531276
	40	50	3.81	531282
	50	50	5.10	531288
	60	50	6.22	531294
	80	50	6.83	531302
	100	50	7.34	531310
	150	50	7.80	531330

Diameter	Length	Box	Weight	Code
<b>M16</b> KEY SIZE 12mm A/F 2.00p	20	10	6.81	531405
	25	10	7.21	531409
	30	10	7.89	531402
	35	10	8.53	531414
	40	10	9.51	531416
	45	10	10.20	531418
	50	10	11.23	531420
	60	10	12.10	531430

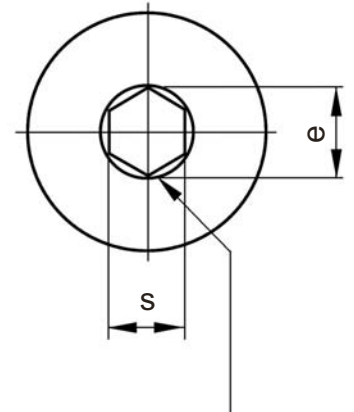
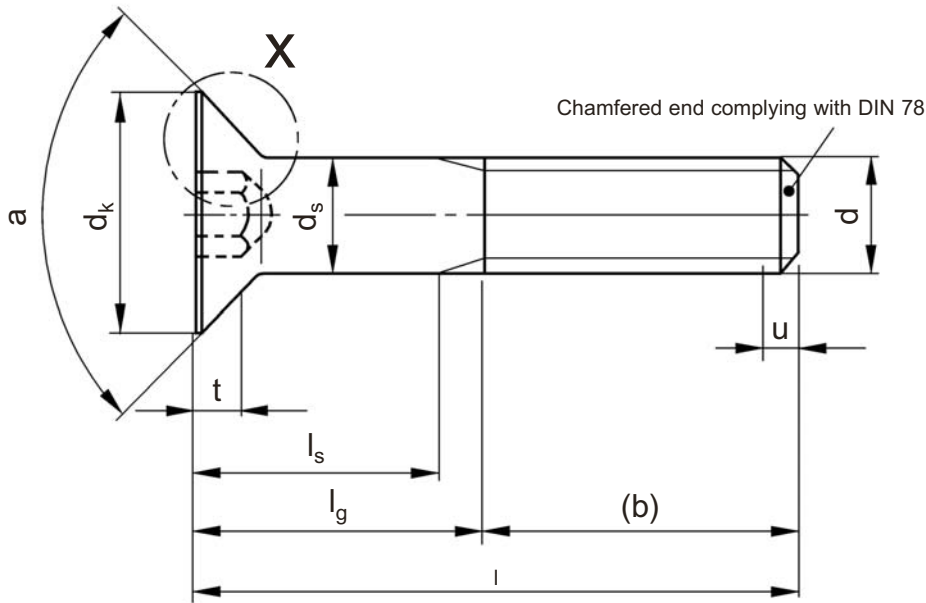
**LARGEST STOCK OF SOCKET SCREWS ON THE PLANET**



# METRIC

## SOCKET COUNTERSUNK SCREWS DIN 7991

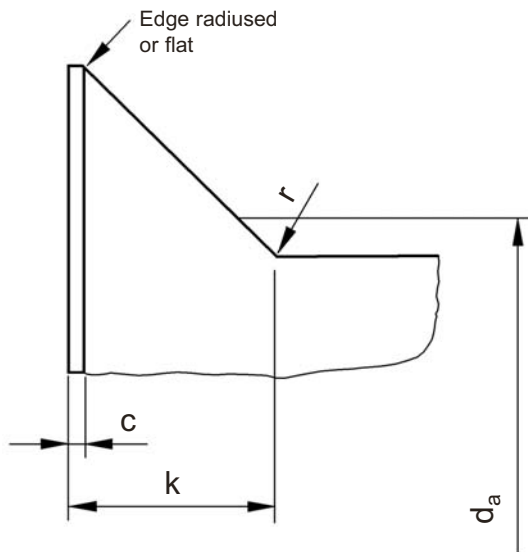
### TECHNICAL INFORMATION



Slight rounding or Countersunk at the mouth of the socket is permissible (no further than e).

$d_s$  is applicable only for screws with unthreaded portion of shank  
 $u = 2P$  maximum; incomplete thread

### Detail X

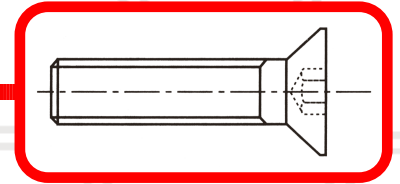


@ 90° standard  
 up to M20  
 60° M22  
 and above.



# METRIC

## SOCKET COUNTERSUNK SCREWS **DIN 7991 10•9**

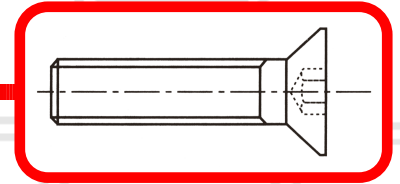


thread size d	pitch	a	c									KEY				
				d <sub>k</sub>		d <sub>a</sub>	d <sub>s</sub>		e	k	r	s			t	
				max	min	max	max	min	min	max	min	nom	min	max	max	min
<b>M2</b>	0.40	90°		4	3.85		2.00		1.73	1.24		1.27	1.24	1.271		0.65
<b>M2.5</b>	0.45	90°		5	4.82		2.50		2.30	1.55		1.50	1.52	1.560		0.80
<b>M3</b>	0.50	90°	0.2	6	5.70	3.6	3.00	2.86	2.30	1.70	0.1	2.00	2.020	2.100	1.2	0.95
<b>M4</b>	0.70	90°	0.3	8	7.64	4.7	4.00	3.82	2.87	2.30	0.2	2.50	2.520	2.600	1.8	1.55
<b>M5</b>	0.80	90°	0.3	10	9.64	5.7	5.00	4.82	3.44	2.80	0.2	3.00	3.020	3.100	2.3	2.05
<b>M6</b>	1.00	90°	0.3	12	11.57	6.8	6.00	5.82	4.58	3.30	0.3	4.00	4.020	4.120	2.5	2.25
<b>M8</b>	1.25	90°	0.4	16	15.57	9.2	8.00	7.78	5.72	4.40	0.5	5.00	5.020	5.140	3.5	3.20
<b>M10</b>	1.50	90°	0.5	20	19.48	11.2	10.00	9.78	6.86	5.50	0.5	6.00	6.020	6.140	4.4	4.10
<b>M12</b>	1.75	90°	0.5	24	23.48	13.7	12.00	11.73	9.15	6.50	1.0	8.00	8.025	8.175	4.6	4.30
<b>M14</b>	2.00	90°	0.5	27	26.48	15.7	14.00	13.73	11.43	7.00	1.0	10.00	10.025	10.175	4.8	4.50
<b>M16</b>	2.00	90°	0.5	30	29.48	17.7	16.00	15.73	11.43	7.50	1.0	10.00	10.025	10.175	5.3	5.00
<b>M18</b>	2.50	90°	0.5	33	32.38	20.2	18.00	17.73	13.72	8.00	1.0	12.00	12.032	12.212	5.5	5.20
<b>M20</b>	2.50	90°	0.5	36	35.38	22.4	20.00	19.67	13.72	8.50	1.0	12.00	12.032	12.212	5.9	5.60
<b>M22</b>	2.50	60°	1.0	36	35.38	24.4	22.00	21.67	16.00	13.10	1.0	14.00	14.032	14.212	8.8	8.44
<b>M24</b>	3.00	60°	1.0	39	38.38	26.4	24.00	23.67	16.00	14.00	1.6	14.00	14.032	14.212	10.3	9.87



# METRIC

## SOCKET COUNTERSUNK SCREWS DIN 7991 10•9



### ⚠️ TORQUE INFORMATION ⚠️

SEE PAGE 3 FOR TORQUE INFORMATION FOR SOCKET SCREWS  
SEATING TORQUE SHOULD BE 20% LOWER FOR 10-9 COUNTERSUNKS,  
THE SAME PARAMETER RULES APPLY

Diameter	Length	Box	Weight	Code
<b>M2</b> KEY SIZE 1.27 mm A/F 0.4p	4	100	0.02	534001
	5	100	0.02	534002
	6	100	0.02	534005
	8	50	0.03	534019
	10	50	0.03	534023
	12	25	0.04	534033
	16	25	0.04	534035

Diameter	Length	Box	Weight	Code
<b>M2.5</b> KEY SIZE 1.50mm A/F 0.45p	4	50	0.04	534037
	5	100	0.04	534040
	6	100	0.05	534044
	8	100	0.05	534045
	10	100	0.06	534047
	12	100	0.06	534051
	16	25	0.07	534070
	20	25	0.08	534089

Diameter	Length	Box	Weight	Code
<b>M3</b> KEY SIZE 2mm A/F 0.5p	5	200	0.03	534003
	6	200	0.04	534004
	8	500	0.05	534006
	10	500	0.05	534008
	12	500	0.06	534010
	14	200	0.07	534009
	15	200	0.08	534011
	16	500	0.08	534012
	18	200	0.09	534013
	20	200	0.09	534014
	22	100	0.11	534007
	25	200	0.13	534016
	30	100	0.16	534018
	35	100	0.18	534015
	40	50	0.21	534017
	45	50	0.23	534087
50	50	0.31	534724	

Diameter	Length	Box	Weight	Code
<b>M4</b> KEY SIZE 2.5mm A/F 0.7p	5	200	0.07	534020
	6	200	0.08	534021
	8	500	0.09	534022
	10	500	0.10	534024
	12	500	0.12	534026
	14	200	0.12	534025
	15	200	0.14	534027
	16	500	0.15	534028
	18	200	0.18	534029
	20	500	0.17	534030
	22	100	0.19	534031
	25	200	0.21	534032
	30	200	0.27	534034
	35	100	0.31	534036
	40	100	0.36	534038
	45	100	0.40	534073
	50	100	0.44	534075
	55	100	0.48	534041
60	100	0.52	534042	
70	100	0.59	534043	

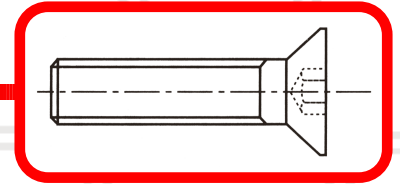






# METRIC

## SOCKET COUNTERSUNK SCREWS DIN 7991 10•9



Diameter	Length	Box	Weight	Code
<b>M5</b> KEY SIZE 3mm A/F 0.8p	6	200	0.16	534046
	8	500	0.15	534048
	10	500	0.17	534050
	12	500	0.20	534052
	14	200	0.22	534053
	15	200	0.23	534049
	16	500	0.25	534054
	18	200	0.25	534055
	20	500	0.29	534056
	22	200	0.31	534057
	25	500	0.36	534058
	30	200	0.41	534060
	35	200	0.47	534062
	40	200	0.58	534064
	45	200	0.58	534066
	50	200	0.63	534068
	55	100	0.75	534059
	60	100	0.87	534061
65	100	0.93	534063	
70	100	1.11	534065	
80	100	1.35	534067	
90	50	1.59	534069	
100	50	1.82	534071	

Diameter	Length	Box	Weight	Code
<b>M8</b> KEY SIZE 5mm A/F 1.25p	10	200	0.49	534106
	12	200	0.55	534108
	14	100	0.65	534107
	15	100	0.64	534109
	16	200	0.72	534110
	18	100	0.80	534111
	20	200	0.88	534112
	22	100	0.93	534113
	25	200	1.00	534114
	30	200	1.13	534116
	35	200	1.32	534118
	40	200	1.47	534120
	45	100	1.62	534122
	50	100	1.92	534124
	55	100	2.12	534126
	60	50	2.28	534128
	65	50	2.48	534136
	70	50	2.64	534132
	75	50	2.84	534135
	80	50	3.64	534137
85	50	3.85	534138	
90	25	4.08	534139	
100	25	4.53	534140	
110	25	4.98	534141	
120	25	5.43	534142	
150	10	6.00	534134	
160	10	6.60	534133	

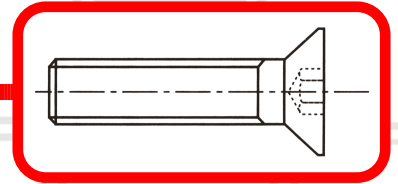
Diameter	Length	Box	Weight	Code
<b>M6</b> KEY SIZE 4mm A/F 0.8p	8	200	0.22	534072
	10	200	0.27	534074
	12	200	0.31	534076
	14	200	0.30	534077
	15	200	0.34	534081
	16	200	0.37	534078
	18	200	0.40	534079
	20	200	0.43	534080
	22	100	0.45	534083
	25	200	0.51	534082
	28	100	0.60	534085
	30	200	0.61	534084
	35	200	0.71	534086
	40	200	0.84	534088
	45	100	0.95	534090
	50	100	1.05	534092
	55	100	1.16	534093
	60	100	1.26	534094
	65	100	1.27	534095
	70	100	1.47	534096
75	100	1.57	534097	
80	100	1.66	534098	
85	50	1.77	534099	
90	50	1.87	534100	
100	50	2.09	534101	
110	50	2.30	534102	
120	50	2.52	534103	

Diameter	Length	Box	Weight	Code
<b>M10</b> KEY SIZE 6mm A/F 1.5p	12	100	1.04	534144
	14	100	1.16	534143
	15	100	1.21	534145
	16	200	1.28	534146
	18	100	1.38	534147
	20	200	1.40	534148
	22	100	1.50	534149
	25	200	1.65	534150
	30	200	1.90	534152
	35	200	2.18	534154
	40	200	2.48	534156
	45	100	2.73	534158
	50	100	3.03	534160
	55	100	3.39	534162
	60	100	3.69	534164
	65	50	3.94	534166
	70	50	4.29	534168
	75	50	4.54	534170
	80	50	4.83	534172
	90	50	5.34	534174
100	50	5.98	534176	
110	25	6.61	534180	
120	25	7.19	534185	
130	25	7.86	534186	



# METRIC

## SOCKET COUNTERSUNK SCREWS DIN 7991 10•9



Diameter	Length	Box	Weight	Code
<b>M12</b> KEY SIZE 8mm A/F 1.75p	15	50	1.78	534187
	16	50	1.86	534188
	18	50	1.96	534190
	20	100	2.07	534192
	22	100	2.29	534193
	25	100	2.52	534194
	30	100	2.89	534196
	35	100	3.25	534198
	40	100	3.59	534200
	45	100	3.94	534202
	50	100	4.28	534204
	55	100	4.54	534206
	60	100	5.23	534208
	65	50	5.67	534210
	70	50	6.05	534212
	75	50	6.54	534214
80	50	6.94	534216	
90	50	7.74	534218	
100	25	8.60	534220	
110	25	9.50	534221	
120	10	10.39	534222	

Diameter	Length	Box	Weight	Code
<b>M20</b> KEY SIZE 12mm A/F 2.5p	30	25	7.70	534283
	35	25	8.82	534284
	40	25	9.94	534286
	45	25	11.34	534288
	50	25	12.25	534290
	55	25	13.24	534292
	60	25	14.22	534294
	65	25	15.40	534296
	70	25	16.04	534298
	75	10	17.64	534299
	80	10	19.24	534302
	90	10	22.65	534306
	100	10	25.36	534308
	110	10	28.06	534309
	120	10	29.87	534312
	130	10	31.67	534315
	140	5	33.48	534320
	150	5	35.28	534325
160	5	37.08	534330	
180	5	40.69	534340	
200	5	44.30	534350	
220	5	47.91	534360	
240	5	51.52	534370	

Diameter	Length	Box	Weight	Code
<b>M14</b> KEY SIZE 10mm A/F 2.0p	25	25	4.05	534228
	30	25	4.58	534229
	35	25	5.20	534230
	40	25	5.81	534231
	45	25	6.41	534232
	50	25	7.04	534233
	55	25	7.57	534234
	60	25	8.19	534235
	65	25	8.77	534236
	70	10	9.84	534237
	80	10	11.28	534239
	90	10	12.58	534241
	100	10	14.08	534242
130	10	18.59	534244	

Diameter	Length	Box	Weight	Code
<b>M24</b> KEY SIZE 14mm A/F 3.0p	40	5	13.53	534398
	50	10	16.54	534400
	55	10	17.79	534410
	60	10	19.54	534420
	70	10	22.30	534430
	80	10	25.43	534440
	90	10	28.19	534450
	100	10	31.32	534460
	110	5	34.45	534470
	120	5	37.59	534480
	125	5	39.58	534483
	130	5	40.72	534485
	140	5	43.85	534490
	150	5	46.98	534500
	160	5	50.11	534510
	180	5	56.38	534520
	200	5	62.64	534530
	220	1	68.91	534540
240	1	75.17	534550	

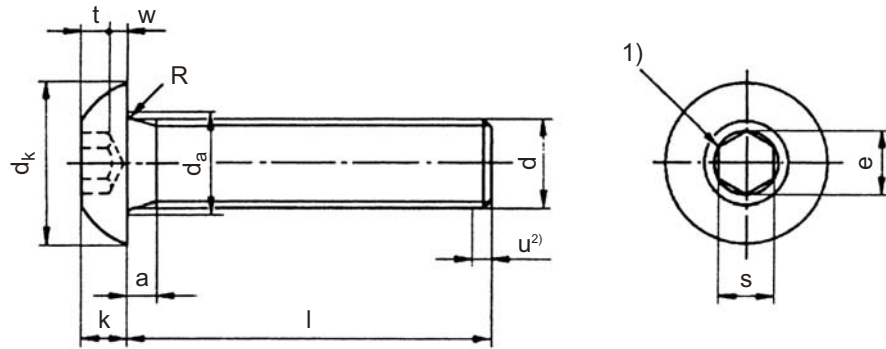
Diameter	Length	Box	Weight	Code
<b>M16</b> KEY SIZE 10mm A/F 2.0p	20	25	3.99	534247
	25	25	4.59	534245
	30	50	5.24	534246
	35	50	5.70	534248
	40	50	6.60	534250
	45	50	7.25	534252
	50	50	7.77	534254
	55	25	8.36	534256
	60	25	9.01	534258
	65	25	9.68	534260
	70	25	10.90	534262
	75	25	11.84	534264
	80	25	12.99	534266
	90	25	13.91	534270
	100	25	14.23	534272
	110	10	14.55	534273
	120	10	17.85	534274
	130	10	18.23	534275
	140	10	18.62	534276
	150	10	19.00	534277
	160	10	19.39	534278
	180	5	20.16	534279
	200	5	20.93	534280
	220	5	21.70	534281
240	5	22.47	534282	

**COUNTERSUNK  
AVAILABLE IN  
METRIC  
UNC UNF No  
WHIT BSF BA**

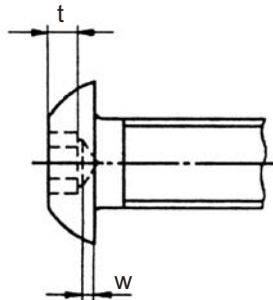
# METRIC

## SOCKET BUTTON HEAD SCREWS ISO 7380 10•9

### TECHNICAL INFORMATION



Alternative form of socket permissible



**Note:** For broached sockets which are at the top maximum limit of size the overcut resulting from drilling shall not exceed 20% of the length of any flat of the socket

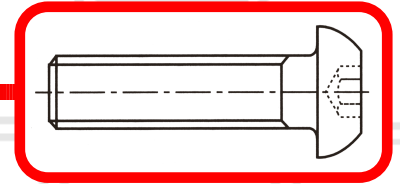
- 1) A slight rounding or countersunk at the mouth of the socket is permissible.
- 2) Incomplete thread  $u \leq 2P$ .

Thread (d)	p <sup>1)</sup>	a		d <sub>a</sub>	d <sub>k</sub>		e <sup>2)</sup>	k		r	s <sup>3)</sup>			t	w
	Pitch	max	min	max	max	min	min	max	min	min	nom	max	min	min	min
<b>M2</b>	0.40				3.70	3.48	1.75								
<b>M2.5</b>	0.45				4.35	4.52	2.30	1.40	1.20		1.5	1.560	1.520	0.85	
<b>M3</b>	0.50	1.00	0.50	3.6	5.70	5.40	2.30	1.65	1.40	0.10	2.0	2.045	0.020	1.04	0.20
<b>M4</b>	0.70	1.40	0.70	4.7	7.60	7.24	2.87	2.20	1.95	0.20	2.5	2.560	2.520	1.30	0.30
<b>M5</b>	0.80	1.60	0.80	5.7	9.50	9.14	3.44	2.75	2.50	0.20	3.0	3.071	3.020	1.56	0.38
<b>M6</b>	1.00	2.00	1.00	6.8	10.50	10.07	4.58	3.30	3.00	0.25	4.0	4.084	4.020	2.08	0.74
<b>M8</b>	1.25	2.50	1.25	9.2	14.00	13.57	5.72	4.40	4.10	0.40	5.0	5.084	5.020	2.60	1.05
<b>M10</b>	1.50	3.00	1.50	11.2	17.50	17.07	6.86	5.50	5.20	0.40	6.0	6.095	6.020	3.12	1.45
<b>M12</b>	1.75	3.50	1.75	14.2	21.00	20.48	9.15	6.60	6.24	0.60	8.0	8.115	8.025	4.16	1.63
<b>M16</b>	2.00	4.00	2.00	18.2	28.00	27.48	11.43	8.80	8.44	0.60	10	10.115	10.025	5.20	2.25



# METRIC

## SOCKET BUTTON HEAD SCREWS ISO 7380 10-9



### ⚠️ TORQUE INFORMATION ⚠️

THE TORQUE INFORMATION FOR SOCKET SCREWS IN GENERAL AS SHOWN ON PAGE 3 SEATING TORQUE SHOULD BE 20% LOWER FOR 10-9 BUTTON HEAD PRODUCTS

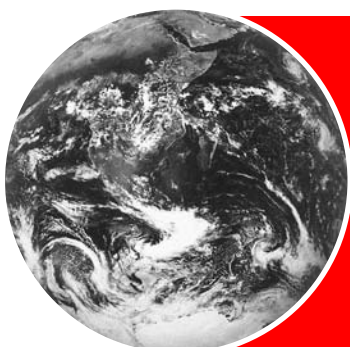
Diameter	Length	Box	Weight	Code
<b>M2</b> KEY SIZE 1mm A/F 0.40p	3	100	0.02	535001
	4	100	0.02	535002
	5	100	0.02	535005
	6	100	0.02	535007
	8	100	0.03	535009
	10	100	0.03	535013
	12	100	0.04	535014
16	100	0.05	535015	

Diameter	Length	Box	Weight	Code
<b>M2.5</b> KEY SIZE 1.5mm A/F 0.45p	3	100	0.04	535017
	4	100	0.04	535023
	5	100	0.04	535032
	6	100	0.04	535034
	8	100	0.05	535036
	10	100	0.06	535038
	12	100	0.06	535040
	16	100	0.07	535042
	20	50	0.08	535199

Diameter	Length	Box	Weight	Code
<b>M3</b> KEY SIZE 2mm A/F 0.5p	4	200	0.04	535044
	5	200	0.04	535003
	6	500	0.04	535004
	8	500	0.05	535006
	10	500	0.06	535008
	12	500	0.06	535010
	14	200	0.07	535011
	16	500	0.08	535012
	20	500	0.10	535016
	25	200	0.13	535018
	30	200	0.14	535019
40	200	0.16	535020	

Diameter	Length	Box	Weight	Code
<b>M4</b> KEY SIZE 2.5mm A/F 0.7p	4	200	0.09	535025
	5	200	0.08	535506
	6	500	0.09	535021
	8	500	0.11	535022
	10	500	0.12	535024
	12	500	0.14	535026
	14	200	0.16	535030
	15	200	0.17	535027
	16	500	0.17	535028
	18	200	0.18	535029
	20	500	0.26	535031
	25	500	0.28	535033
	30	200	0.33	535035
	35	200	0.37	535037
	40	200	0.42	535039
	45	200	0.47	535041
	50	200	0.47	535043

Diameter	Length	Box	Weight	Code
<b>M5</b> KEY SIZE 3mm A/F 0.8p	6	500	0.17	535048
	8	500	0.20	535049
	10	500	0.22	535050
	12	500	0.23	535052
	14	200	0.25	535055
	15	200	0.27	535053
	16	500	0.28	535054
	18	200	0.30	535051
	20	500	0.33	535056
	22	200	0.38	535057
	25	500	0.39	535058
	30	500	0.45	535060
	35	200	0.55	535059
	40	200	0.62	535061
	45	200	0.68	535062
	50	200	0.75	535063

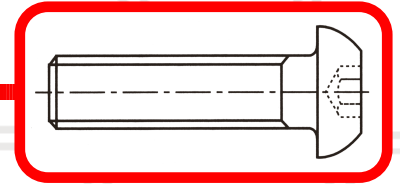


# NOT ONLY IN THE OFF THE



# METRIC

## SOCKET BUTTON HEAD SCREWS ISO 7380 10•9



Diameter	Length	Box	Weight	Code
<b>M6</b> KEY SIZE 4mm A/F 1.0p	6	200	0.23	535064
	8	200	0.29	535065
	10	200	0.29	535066
	12	200	0.33	535068
	14	200	0.36	535067
	15	200	0.38	535069
	16	200	0.39	535070
	18	200	0.42	535071
	20	200	0.45	535072
	22	200	0.50	535073
	25	200	0.55	535074
	30	200	0.64	535076
	35	200	0.70	535078
	40	200	0.79	535079
	45	100	0.95	535080
	50	100	1.07	535081
	55	100	1.16	535082
60	100	1.26	535083	
65	100	1.37	535084	
70	100	1.45	535085	
75	100	1.40	535087	
80	100	1.63	535086	

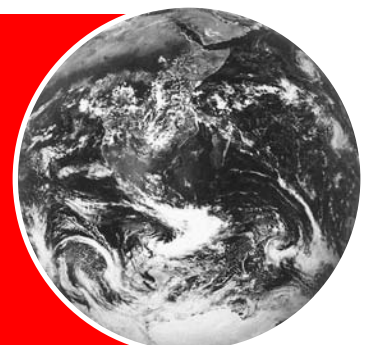
Diameter	Length	Box	Weight	Code
<b>M10</b> KEY SIZE 6mm A/F 1.5p	12	100	1.12	535144
	14	100	1.21	535151
	15	100	1.32	535145
	16	200	1.34	535146
	18	200	1.47	535147
	20	200	1.59	535148
	22	200	1.69	535149
	25	200	1.79	535150
	30	200	2.08	535152
	35	200	2.37	535154
	40	100	2.66	535156
	45	100	2.92	535157
	50	100	3.02	535158
	55	50	3.33	535159
	60	50	3.56	535160
	70	50	4.05	535162
	80	50	4.53	535164
85	50	4.71	535166	
100	50	5.51	535171	

Diameter	Length	Box	Weight	Code
<b>M8</b> KEY SIZE 5mm A/F 1.25p	10	200	0.58	535106
	12	200	0.60	535108
	14	200	0.71	535107
	15	200	0.75	535109
	16	200	0.81	535110
	18	200	0.85	535111
	20	200	0.92	535112
	25	200	1.05	535114
	30	200	1.23	535116
	35	200	1.39	535118
	40	200	1.54	535120
	45	100	1.69	535121
	50	100	1.84	535122
	55	100	2.01	535123
	60	100	2.15	535124
	65	100	2.60	535127
	70	100	2.72	535128
	75	100	2.90	535125
	80	100	3.06	535126
	85	100	4.22	535129
90	50	4.80	535130	
95	50	4.90	535131	
100	50	3.74	535132	
110	50	4.08	535134	
120	50	4.43	535136	

Diameter	Length	Box	Weight	Code
<b>M12</b> KEY SIZE 8mm A/F 1.75p	16	100	2.11	535190
	20	100	2.41	535192
	25	200	2.74	535194
	30	100	3.12	535196
	35	100	3.45	535198
	40	100	3.77	535200
	45	100	4.10	535202
	50	50	4.52	535204
	55	50	4.87	535245
	60	50	5.23	535206
	70	50	5.94	535209
	80	25	6.66	535212
	90	25	7.34	535214
	100	25	8.12	535218

Diameter	Length	Box	Weight	Code
<b>M16</b> KEY SIZE 10mm A/F 2.00p	20	25	8.66	535304
	25	25	8.98	535308
	30	25	9.02	535312
	35	25	11.51	535316
	40	25	12.72	535320
	45	25	13.12	535324
	50	25	13.52	535328
	55	10	14.12	535332
	60	10	18.82	535336

LIST BUT ALSO  
E SHELF



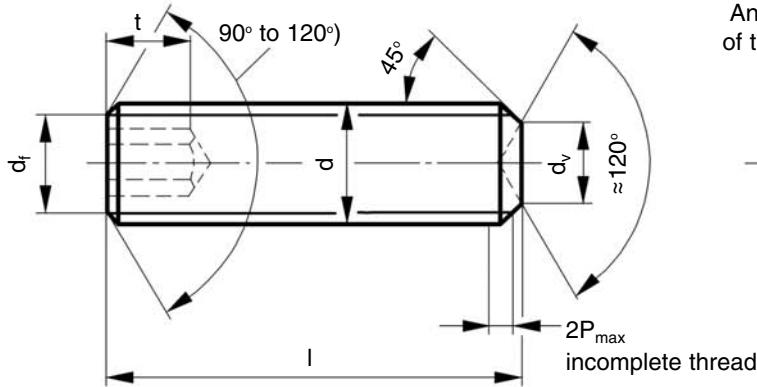


# METRIC

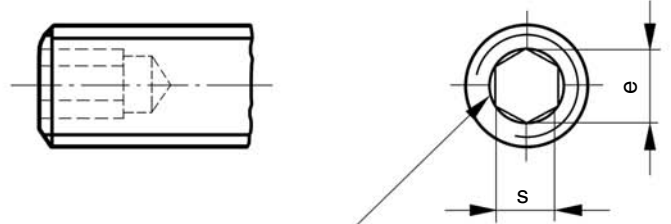
## SET SCREWS

### CUP POINT

### TECHNICAL INFORMATION



Another permissible shape of the bottom of the hexagon



Rounding or countersunk at the mouth of the socket is permissible

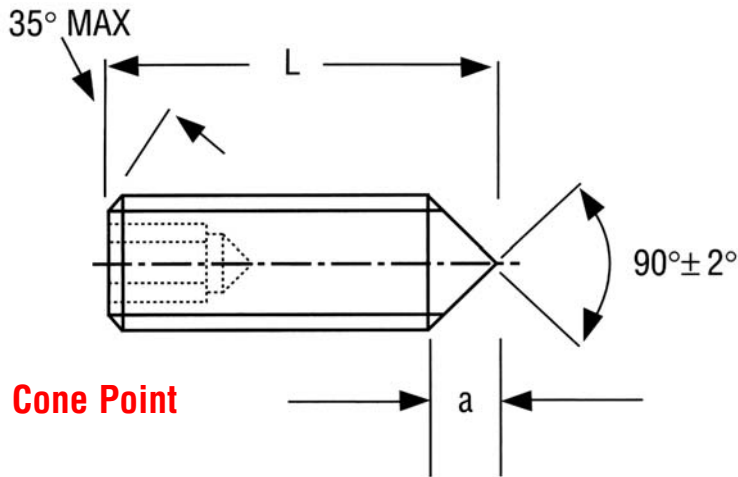
### Strength Category 45H

Thread (d)	P <sup>1)</sup>	d <sub>v</sub>		d <sub>f</sub>	e	s			t	
	Pitch	max	min	≈	min <sup>2)</sup>	nom	min	max	min	max
<b>M1.4</b>	0.30	0.7	0.45	lower limit of minor thread diameter	0.803	0.7	0.711	0.724	0.6	1.4
<b>M1.6</b>	0.35	0.8	0.55		0.803	0.7	0.711	0.724	0.7	1.5
<b>M1.8</b>	0.35	0.9	0.65		0.803	0.7	0.711	0.724	0.8	1.6
<b>M2</b>	0.40	1.0	0.75		1.003	0.9	0.889	0.902	0.8	1.7
<b>M2.5</b>	0.45	1.2	0.95		1.427	1.3	1.270	1.295	1.2	2.0
<b>M3</b>	0.50	1.4	1.15		1.730	1.5	1.520	1.545	1.2	2.0
<b>M4</b>	0.70	2.0	1.75		2.300	2.0	2.020	2.045	1.5	2.5
<b>M5</b>	0.80	2.5	2.25		2.870	2.5	2.520	2.560	2.0	3.0
<b>M6</b>	1.00	3.0	2.75		3.440	3.0	3.020	3.080	2.0	3.5
<b>M8</b>	1.25	5.0	4.70		4.580	4.0	4.020	4.095	3.0	5.0
<b>M10</b>	1.50	6.0	5.70		5.720	5.0	5.020	5.095	4.0	6.0
<b>M12</b>	1.75	8.0	7.64		6.860	6.0	6.020	6.095	4.8	8.0
<b>M14</b>	2.00	9.0	8.64		6.860	6.0	6.020	6.095	5.6	9.0
<b>M16</b>	2.00	10.0	9.64		9.150	8.0	8.025	8.115	6.4	10.0
<b>M18</b>	2.50	12.0	11.57		11.43	10	10.025	10.115	7.2	11.0
<b>M20</b>	2.50	14.0	13.57		11.43	10	10.025	10.115	8.0	12.0
<b>M22</b>	2.50	16.0	15.57	13.72	12	12.032	12.142	9.0	13.6	
<b>M24</b>	3.00	16.0	15.57	13.72	12	12.032	12.142	10.0	15.0	

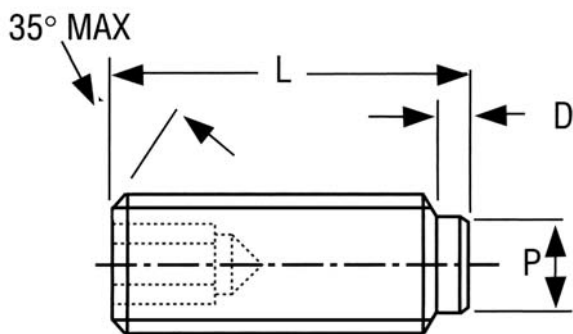


# METRIC

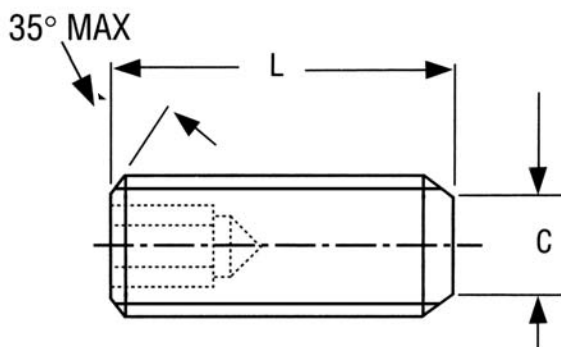
## SET SCREWS CONE - DOG - FLAT POINTS TECHNICAL INFORMATION



Cone Point



Dog Point



Flat Point

### CONE POINT DIN 914

Size	a Max	Sharpness of Point (Flat Size)	Minimum Preferred Length
<b>M3</b>	1.00	SHARP	4.00
<b>M4</b>	1.40	SHARP	4.00
<b>M5</b>	1.60	SHARP	5.00
<b>M6</b>	2.00	1.50	6.00
<b>M8</b>	2.50	2.00	6.00
<b>M10</b>	3.00	2.50	8.00
<b>M12</b>	3.50	3.00	10.00
<b>M16</b>	-	4.00	14.00
<b>M20</b>	-	5.00	18.00
<b>M24</b>	-	6.00	20.00

### DOG POINT DIN 915

Size	½ Dog	Full Dog	P Max	Screws this length and below will have ½ Dog
<b>M3</b>	1.00	1.75	2.00	5.00
<b>M4</b>	1.25	2.25	2.50	6.00
<b>M5</b>	1.50	2.75	3.50	6.00
<b>M6</b>	1.75	3.25	4.00	8.00
<b>M8</b>	2.25	4.30	5.50	10.00
<b>M10</b>	2.75	5.30	7.00	12.00
<b>M12</b>	3.25	6.30	8.50	16.00
<b>M16</b>	4.30	8.35	12.00	20.00
<b>M20</b>	5.30	10.36	15.00	25.00
<b>M24</b>	6.30	12.43	18.00	30.00

### FLAT POINT DIN 913

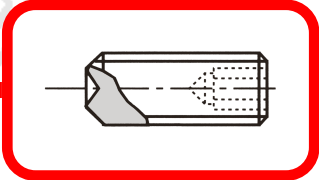
Size	C		Minimum Preferred Length
	Max	Min	
<b>M3</b>	2.00	1.75	3.00
<b>M4</b>	2.50	2.25	3.00
<b>M5</b>	3.50	3.20	4.00
<b>M6</b>	4.00	3.70	4.00
<b>M8</b>	5.50	5.20	5.00
<b>M10</b>	7.00	6.64	6.00
<b>M12</b>	8.50	8.14	8.00
<b>M16</b>	12.00	11.57	12.00



# METRIC

## SET SCREWS 45H

### CUP POINT DIN 916



Diameter	Length	Box	Weight	Code
<b>M1.6</b> KEY SIZE 0.071mm A/F 0.35p	2	100	0.01	533005
	2.5	100	0.01	533500
	3	100	0.01	533501
	4	100	0.01	533502
	5	100	0.01	533504
	6	100	0.01	533007

Diameter	Length	Box	Weight	Code
<b>M2</b> KEY SIZE 0.89mm A/F 0.40p	2	100	0.01	533009
	2.5	100	0.01	533508
	3	100	0.01	533510
	4	100	0.01	533512
	5	100	0.01	533514
	6	100	0.01	533516
	8	100	0.01	533518
	10	100	0.02	533520
	12	50	0.02	533011

Diameter	Length	Box	Weight	Code
<b>M2.5</b> KEY SIZE 1.27mm A/F 0.45p	3	100	0.01	533524
	4	100	0.01	533526
	5	100	0.01	533528
	6	100	0.02	533530
	8	100	0.02	533532
	10	100	0.03	533534
	12	100	0.03	533536

Diameter	Length	Box	Weight	Code
<b>M3</b> KEY SIZE 1.5mm A/F 0.5p	3	500	0.01	533001
	4	500	0.01	533002
	5	500	0.02	533003
	6	500	0.02	533004
	8	500	0.03	533006
	10	500	0.04	533008
	12	500	0.05	533010
	16	500	0.06	533012
	20	200	0.07	533015
	25	100	0.10	533016
	30	100	0.11	533017

Diameter	Length	Box	Weight	Code
<b>M4</b> KEY SIZE 2mm A/F 0.7p	3	500	0.02	533021
	4	500	0.02	533018
	5	500	0.03	533019
	6	500	0.04	533020
	8	500	0.05	533022
	10	500	0.06	533024
	12	500	0.09	533026
	14	100	0.10	533027
	15	200	0.11	533029
	16	500	0.11	533028
	20	500	0.14	533030
	25	200	0.16	533032
	30	100	0.20	533033
	35	100	0.24	533034
	40	50	0.28	533035

Diameter	Length	Box	Weight	Code
<b>M5</b> KEY SIZE 2.5mm A/F 0.8p	4	500	0.04	533043
	5	500	0.04	533044
	6	500	0.05	533046
	8	500	0.07	533048
	10	500	0.09	533050
	12	500	0.14	533052
	14	200	0.15	533053
	15	200	0.16	533055
	16	500	0.18	533054
	18	200	0.20	533057
	20	500	0.23	533056
	25	200	0.27	533058
	30	200	0.32	533060
	35	200	0.36	533062
	40	100	0.41	533064
	45	100	0.45	533065
	50	100	0.49	533066
	60	50	0.58	533068

Diameter	Length	Box	Weight	Code
<b>M6</b> KEY SIZE 3mm A/F 1.0p	5	200	0.06	533069
	6	500	0.07	533070
	8	500	0.11	533072
	10	500	0.14	533074
	12	500	0.18	533076
	14	200	0.21	533077
	15	200	0.23	533079
	16	500	0.25	533078
	18	200	0.28	533081
	20	500	0.32	533080
	25	500	0.41	533082
	30	200	0.50	533084
	35	200	0.58	533086
	40	200	0.67	533088
	45	100	0.76	533090
	50	100	0.85	533092
	60	50	1.02	533093
70	25	1.22	533095	

Diameter	Length	Box	Weight	Code
<b>M8</b> KEY SIZE 4mm A/F 1.25p	6	200	0.13	533103
	8	500	0.19	533104
	10	500	0.23	533106
	12	500	0.27	533108
	15	200	0.41	533109
	16	500	0.44	533110
	20	500	0.57	533112
	25	200	0.73	533114
	30	200	0.89	533116
	35	200	1.05	533118
	40	100	1.21	533120
	45	100	1.36	533122
	50	100	1.52	533124
	55	50	1.68	533125
	60	50	1.84	533126
	70	50	2.15	533127
	80	25	2.46	533014

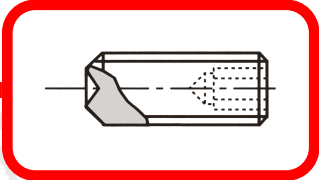




# METRIC

## SET SCREWS 45H

### CUP POINT DIN 916



Diameter	Length	Box	Weight	Code
<b>M10</b> KEY SIZE 5mm A/F 1.5p	8	200	0.27	533140
	10	500	0.37	533142
	12	500	0.47	533144
	15	100	0.65	533145
	16	200	0.68	533146
	18	100	0.78	533147
	20	200	0.88	533148
	25	200	1.12	533150
	30	200	1.37	533152
	35	100	1.62	533154
	40	100	1.87	533156
	45	50	2.13	533158
	50	50	2.38	533160
	55	50	2.66	533162
	60	50	2.88	533164
	65	25	3.13	533166
	70	25	3.35	533168
80	10	3.96	533170	
90	10	4.58	533172	
100	10	5.21	533023	

Diameter	Length	Box	Weight	Code
<b>M16</b> KEY SIZE 8mm A/F 2.0p	16	50	1.54	533240
	20	50	2.10	533242
	25	50	2.75	533244
	30	50	3.45	533246
	35	50	4.15	533248
	40	50	4.85	533250
	45	25	5.55	533252
	50	50	6.25	533254
	55	25	6.96	533256
	60	25	7.66	533258
	70	10	9.06	533261
	80	10	10.46	533263
	90	10	11.87	533036
	100	10	13.27	533037

Diameter	Length	Box	Weight	Code
<b>M12</b> KEY SIZE 6mm A/F 1.75p	10	100	0.50	533187
	12	200	0.67	533188
	15	100	0.88	533189
	16	100	0.95	533190
	20	100	1.23	533192
	25	100	1.59	533194
	30	100	1.95	533196
	35	100	2.32	533198
	40	50	2.68	533200
	45	50	3.04	533202
	50	50	3.40	533204
	55	10	3.76	533206
	60	10	4.12	533208
	65	10	4.48	533210
	70	10	4.84	533212
	80	10	5.56	533216
	90	10	6.36	533025
100	10	6.97	533031	

Diameter	Length	Box	Weight	Code
<b>M20</b> KEY SIZE 10mm A/F 2.5p	20	10	3.05	533278
	25	10	4.04	533280
	30	10	5.02	533282
	35	10	6.03	533284
	40	10	7.03	533286
	45	10	8.27	533288
	50	10	9.23	533290
	55	10	10.12	533292
	60	10	11.03	533294
	70	10	13.28	533298
	80	10	14.96	533302
	90	10	17.24	533038
	100	10	19.44	533039

Diameter	Length	Box	Weight	Code
<b>M14</b> KEY SIZE 6mm A/F 2.0p	16	50	1.41	953240
	20	50	1.83	953242
	25	50	2.65	953244
	30	25	3.44	953246
	35	25	4.02	953248
	40	25	4.56	953250
	45	25	4.82	953252
	50	25	5.37	953254
	55	25	5.82	953256
	60	25	6.11	953258
	70	25	7.66	953261
80	25	8.13	953263	

Diameter	Length	Box	Weight	Code
<b>M24</b> KEY SIZE 12mm A/F 3.0p	25	10	4.55	533318
	30	10	6.73	533320
	35	10	8.18	533322
	40	10	9.64	533324
	45	10	11.27	533326
	50	10	12.73	533328
	55	10	14.18	533330
	60	10	15.82	533332
	70	10	17.46	533336
	80	10	19.09	533340
	90	10	20.73	533040
100	10	22.36	533041	

**CUP POINT RANGE**

# 25%

**BIGGER**



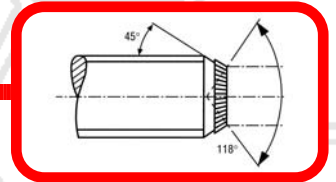


FOUNDED 1925®

# METRIC

## SET SCREWS 45H KNURLED CUP POINT

**DIN 916 KNURLED**



Diameter	Length	Box	Weight	Code
<b>M3</b> KEY SIZE 1.5mm A/F 0.5p	3	500	0.01	821001
	4	200	0.01	821002
	5	500	0.02	821003
	6	500	0.02	821004
	8	500	0.03	821006
	10	500	0.04	821008
	12	500	0.05	821010
	16	500	0.06	821012
20	200	0.07	821016	

Diameter	Length	Box	Weight	Code
<b>M4</b> KEY SIZE 1.5mm A/F 0.5p	4	500	0.02	821018
	5	500	0.03	821019
	6	500	0.04	821020
	8	500	0.05	821022
	10	500	0.06	821024
	12	500	0.09	821026
	16	500	0.11	821028
	18	200	0.13	821029
	20	500	0.14	821030
	25	200	0.16	821032
30	200	0.20	821034	

Diameter	Length	Box	Weight	Code
<b>M5</b> KEY SIZE 2.5mm A/F 0.8p	4	500	0.04	821042
	5	500	0.04	821044
	6	500	0.05	821046
	8	500	0.07	821048
	10	500	0.09	821050
	12	500	0.14	821052
	15	200	0.16	821053
	16	500	0.18	821054
	20	500	0.23	821056
	25	200	0.27	821058
30	200	0.32	821060	

Diameter	Length	Box	Weight	Code
<b>M6</b> KEY SIZE 2.5mm A/F 0.8p	5	200	0.06	821065
	6	500	0.07	821070
	8	500	0.11	821072
	10	500	0.14	821074
	12	500	0.18	821076
	15	200	0.23	821077
	16	500	0.25	821078
	20	200	0.32	821080
	25	200	0.41	821082
	30	200	0.50	821084
	35	200	0.58	821086
	40	200	0.67	821088
	45	100	0.76	821090
50	100	0.85	821092	

Diameter	Length	Box	Weight	Code
<b>M8</b> KEY SIZE 4mm A/F 1.25p	8	500	0.19	821104
	10	500	0.23	821106
	12	500	0.27	821108
	16	500	0.44	821110
	20	200	0.57	821112
	25	200	0.73	821114
	30	200	0.89	821116
	35	200	1.05	821118
	40	100	1.21	821120
	45	100	1.36	821122
	50	100	1.52	821124
	60	50	1.84	821126
	80	10	2.46	821129

Diameter	Length	Box	Weight	Code
<b>M10</b> KEY SIZE 5mm A/F 1.5p	10	500	0.37	821142
	12	500	0.47	821144
	15	100	0.65	821145
	16	200	0.68	821146
	20	200	0.88	821148
	25	200	1.12	821150
	30	200	1.37	821152
	35	100	1.62	821154
	40	200	1.87	821156
	45	50	2.13	821158
	50	50	2.38	821160

Diameter	Length	Box	Weight	Code
<b>M12</b> KEY SIZE 6mm A/F 1.75p	12	200	0.67	821188
	15	100	0.78	821189
	16	100	0.95	821190
	20	100	1.23	821192
	25	100	1.59	821194
	30	100	1.95	821196
	35	100	2.32	821198
	40	50	2.68	821200
	45	50	3.04	821202
	50	50	3.32	821204
	60	10	4.12	821208

Diameter	Length	Box	Weight	Code
<b>M16</b> KEY SIZE 6mm A/F 1.75p	12	25	0.70	821236
	16	50	1.54	821240
	20	50	2.10	821242
	25	50	2.75	821244
	30	50	3.45	821246
	35	50	4.15	821248
	40	50	4.85	821250
	45	25	5.55	821252
	50	50	6.25	821254
	55	25	6.96	821255
	60	10	7.66	821258

Diameter	Length	Box	Weight	Code
<b>M20</b> KEY SIZE 10mm A/F 2.5p	20	10	3.05	821278
	25	10	4.04	821280
	30	10	5.02	821282
	35	10	6.03	821284
	40	10	7.03	821286
	45	10	7.96	821288
	50	10	9.23	821290
	60	10	11.03	821294

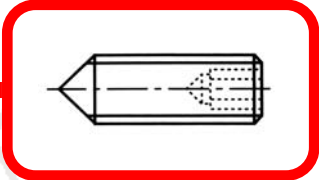
Diameter	Length	Box	Weight	Code
<b>M24</b> KEY SIZE 12mm A/F 3.0p	25	10	5.20	821318
	30	10	6.72	821320
	35	10	8.16	821322
	40	10	9.68	821324
	50	10	12.64	821328
	60	10	15.60	821332



# METRIC

## SET SCREWS 45H

### CONE POINT DIN 914



Diameter	Length	Box	Weight	Code
<b>M3</b> KEY SIZE 1.5mm A/F 0.5p	3	200	0.01	831008
	4	500	0.01	831009
	5	500	0.02	831010
	6	500	0.02	831011
	8	500	0.03	831012
	10	500	0.04	831013
	12	500	0.05	831014
	16	200	0.06	831015
	20	200	0.07	831016
	25	100	0.10	831017

Diameter	Length	Box	Weight	Code
<b>M10</b> KEY SIZE 5mm A/F 1.5p	10	500	0.37	831142
	12	500	0.47	831144
	16	200	0.68	831146
	20	200	0.88	831148
	25	200	1.12	831150
	30	200	1.37	831152
	35	100	1.62	831154
	40	100	1.87	831156
	45	50	2.13	831157
	50	50	2.38	831159

Diameter	Length	Box	Weight	Code
<b>M4</b> KEY SIZE 2mm A/F 0.7p	4	500	0.02	831026
	5	500	0.03	831018
	6	500	0.04	831019
	8	500	0.05	831020
	10	500	0.06	831021
	12	500	0.09	831022
	16	500	0.11	831023
	20	500	0.14	831024
	25	100	0.16	831025
	30	100	0.20	831027

Diameter	Length	Box	Weight	Code
<b>M12</b> KEY SIZE 6mm A/F 1.75p	12	200	0.67	831188
	16	100	0.95	831190
	20	100	1.23	831192
	25	100	1.59	831194
	30	100	1.95	831196
	35	100	2.32	831198
	40	50	2.68	831200
	45	50	3.04	831209
	50	50	3.40	831210

Diameter	Length	Box	Weight	Code
<b>M5</b> KEY SIZE 2.5mm A/F 0.8p	5	500	0.04	831044
	6	500	0.05	831046
	8	500	0.07	831048
	10	500	0.09	831050
	12	500	0.14	831052
	16	500	0.18	831054
	20	500	0.23	831056
	25	200	0.27	831058
	30	200	0.32	831060

Diameter	Length	Box	Weight	Code
<b>M16</b> KEY SIZE 8mm A/F 2.0p	16	50	1.54	831220
	25	50	2.68	831325
	30	50	3.45	831330
	35	50	2.86	831329
	40	25	4.85	831340
	45	25	5.55	831345
	50	50	6.25	831350

Diameter	Length	Box	Weight	Code
<b>M6</b> KEY SIZE 3mm A/F 1.0p	5	200	0.06	831069
	6	500	0.07	831070
	8	500	0.11	831072
	10	500	0.14	831074
	12	500	0.18	831076
	14	200	0.21	831077
	15	200	0.23	831081
	16	500	0.25	831078
	18	200	0.28	831083
	20	200	0.32	831080
	25	200	0.41	831082
	30	200	0.50	831084
	35	100	0.59	831087
	40	100	0.67	831085
	50	100	0.85	831086

Diameter	Length	Box	Weight	Code
<b>M20</b> KEY SIZE 10mm A/F 2.5p	35	10	5.68	831437
	40	10	6.72	831440
	50	10	9.23	831450
	55	10	9.84	831455
	60	10	10.84	831460

Diameter	Length	Box	Weight	Code
<b>M24</b> KEY SIZE 12mm A/F 3.0p	25	10	4.55	831524
	30	10	6.72	831526
	35	10	8.16	831528
	40	10	9.64	831530
	45	10	11.27	831532
	50	10	12.64	831535
	60	10	15.60	831540

Diameter	Length	Box	Weight	Code
<b>M8</b> KEY SIZE 4mm A/F 1.25p	8	500	0.19	831104
	10	500	0.23	831106
	12	500	0.27	831108
	15	200	0.41	831109
	16	500	0.44	831110
	20	200	0.57	831112
	22	100	0.58	831113
	25	200	0.73	831114
	30	200	0.89	831116
	35	100	1.05	831118
	40	100	1.21	831120
	45	100	1.38	831083
	50	100	1.52	831122

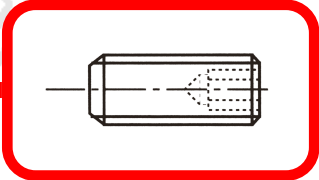
ALL OF THESE POINTS  
ALSO AVAILABLE IN  
**UNC UNF**



# METRIC

## SET SCREWS 45H

### FLAT POINT DIN 913



Diameter	Length	Box	Weight	Code
<b>M2</b> KEY SIZE 0.89mm A/F 0.40p	2.5	100	0.01	832576
	4	100	0.01	832580
	6	100	0.01	832582
	8	100	0.01	832584
	10	100	0.02	832586

Diameter	Length	Box	Weight	Code
<b>M2.5</b> KEY SIZE 1.27mm A/F 0.48p	4	100	0.01	832606
	5	100	0.02	832607
	6	100	0.02	832608

Diameter	Length	Box	Weight	Code
<b>M3</b> KEY SIZE 1.5mm A/F 0.5p	3	500	0.01	832001
	4	200	0.01	832002
	5	500	0.02	832003
	6	500	0.02	832004
	8	500	0.03	832006
	10	500	0.04	832008
	12	500	0.05	832010
	15	200	0.05	832011
	16	200	0.06	832012
20	200	0.07	832014	

Diameter	Length	Box	Weight	Code
<b>M4</b> KEY SIZE 2mm A/F 0.7p	3	500	0.02	832017
	4	500	0.02	832018
	5	500	0.03	832019
	6	500	0.04	832020
	8	500	0.05	832022
	10	500	0.06	832024
	12	500	0.09	832026
	15	200	0.11	832027
	16	200	0.11	832028
	18	200	0.13	832029
	20	500	0.14	832030
	25	200	0.16	832033
30	100	0.20	832034	

Diameter	Length	Box	Weight	Code
<b>M5</b> KEY SIZE 2.5mm A/F 0.8p	4	500	0.04	832043
	5	500	0.04	832044
	6	500	0.05	832046
	8	500	0.07	832048
	10	500	0.09	832050
	12	500	0.14	832052
	14	200	0.15	832049
	15	200	0.16	832053
	16	500	0.18	832054
	18	200	0.20	832055
	20	500	0.23	832056
	22	200	0.26	832057
	25	200	0.27	832058
	30	200	0.32	832060
	40	100	0.41	832062

Diameter	Length	Box	Weight	Code
<b>M6</b> KEY SIZE 3mm A/F 1.0p	5	200	0.06	832065
	6	500	0.07	832070
	8	500	0.11	832072
	10	500	0.14	832074
	12	500	0.18	832076
	14	200	0.21	832075
	15	200	0.23	832077
	16	500	0.25	832078
	18	200	0.28	832079
	20	200	0.32	832080
	25	200	0.41	832082
	30	200	0.50	832084
	35	200	0.59	832086
	40	200	0.67	832088

Diameter	Length	Box	Weight	Code
<b>M8</b> KEY SIZE 4mm A/F 1.25p	6	200	0.13	832102
	8	500	0.19	832104
	10	500	0.23	832106
	12	500	0.27	832108
	14	200	0.38	832107
	15	100	0.41	832109
	16	500	0.44	832110
	18	200	0.44	832111
	20	200	0.57	832112
	25	200	0.73	832114
	30	200	0.89	832116
	35	200	1.05	832118
	40	100	1.26	832120
	45	100	1.41	832122
	50	100	1.52	832124
60	50	1.84	832128	

Diameter	Length	Box	Weight	Code
<b>M10</b> KEY SIZE 5mm A/F 1.5p	8	200	0.27	832140
	10	500	0.37	832142
	12	500	0.47	832144
	14	100	0.41	832143
	15	100	0.65	832145
	16	200	0.68	832146
	18	100	0.78	832147
	20	200	0.88	832148
	25	200	1.12	832150
	30	200	1.37	832152
	35	100	1.62	832154
	40	100	1.87	832156
	45	50	2.13	832158
	50	50	2.38	832160
	60	50	2.88	832162

Diameter	Length	Box	Weight	Code
<b>M12</b> KEY SIZE 6mm A/F 1.75p	12	200	0.67	832188
	14	100	0.79	832189
	16	100	0.95	832190
	18	100	1.10	832191
	20	100	1.23	832192
	25	100	1.59	832194
	30	100	1.95	832196
	35	100	2.32	832198
	40	50	2.68	832200
	45	50	3.04	832202
50	50	3.40	832204	

Diameter	Length	Box	Weight	Code
<b>M14</b> KEY SIZE 6mm A/F 2.00p	10	50	0.67	832246
	14	50	0.85	832250
	20	50	1.42	832255

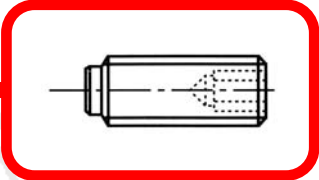
Diameter	Length	Box	Weight	Code
<b>M16</b> KEY SIZE 6mm A/F 1.75p	16	50	1.54	832310
	20	50	2.10	832312
	25	50	2.75	832314
	30	50	3.45	832316
	35	25	4.15	832318
	40	25	4.85	832701
50	25	6.25	832703	



# METRIC

## SET SCREWS 45H

### DOG POINT DIN 915



Diameter	Length	Box	Weight	Code
<b>M3</b> KEY SIZE 1.5mm A/F 0.5p	5	500	0.02	833010
	6	500	0.02	833011
	8	500	0.04	833013
	10	500	0.04	833015
	12	500	0.05	833017
	16	200	0.06	833019
	20	200	0.07	833021
	25	100	0.10	833023

Diameter	Length	Box	Weight	Code
<b>M4</b> KEY SIZE 2mm A/F 0.7p	5	500	0.03	833030
	6	500	0.04	833031
	8	500	0.05	833033
	10	500	0.07	833035
	12	500	0.08	833037
	16	500	0.11	833039
	20	500	0.14	833041
	30	100	0.20	833043

Diameter	Length	Box	Weight	Code
<b>M5</b> KEY SIZE 2.5mm A/F 0.8p	5	500	0.04	833045
	6	500	0.05	833046
	8	500	0.07	833048
	10	500	0.10	833050
	12	500	0.13	833052
	15	200	0.16	833053
	16	500	0.17	833054
	20	500	0.22	833056
	25	200	0.29	833058
	30	200	0.35	833060
	35	200	0.36	833062
	40	100	0.41	833064
	45	100	0.45	833066

Diameter	Length	Box	Weight	Code
<b>M6</b> KEY SIZE 3mm A/F 1.0p	6	200	0.07	833070
	8	500	0.07	833072
	10	500	0.14	833074
	12	500	0.18	833076
	14	200	0.21	833075
	15	200	0.23	833077
	16	500	0.25	833078
	20	200	0.32	833080
	25	200	0.41	833082
	30	200	0.50	833084
	35	100	0.59	833086

Diameter	Length	Box	Weight	Code
<b>M8</b> KEY SIZE 4mm A/F 1.25p	6	200	0.13	833102
	8	500	0.19	833104
	10	500	0.23	833105
	FULL DOG	200	0.25	833106
	12	500	0.27	833108
	16	500	0.44	833110
	20	200	0.57	833112
	25	200	0.73	833114
	30	200	0.89	833116
	35	200	1.05	833118
	40	100	1.14	833120
	45	100	1.26	833122
	50	100	1.52	833124
	60	50	1.84	833126

Diameter	Length	Box	Weight	Code
<b>M10</b> KEY SIZE 5mm A/F 1.5p	10	500	0.37	833142
	12	200	0.47	833143
	FULL DOG	200	0.47	833144
	15	100	0.65	833145
	16	200	0.68	833146
	20	200	0.88	833148
	25	200	1.12	833150
	30	200	1.37	833152
	35	100	1.62	833154
	40	100	1.87	833156
	45	50	2.04	833155
	50	50	2.33	833157
	60	50	2.84	833159
	80	25	3.96	833164

Diameter	Length	Box	Weight	Code
<b>M12</b> KEY SIZE 6mm A/F 1.75p	12	200	0.67	833170
	16	100	0.95	833171
	18	50	1.38	833173
	20	100	1.23	833172
	25	100	1.59	833174
	30	100	1.95	833176
	35	100	2.32	833178
	40	50	2.68	833180
	45	50	3.04	833181
	50	50	3.40	833182
	60	10	4.12	833184

Diameter	Length	Box	Weight	Code
<b>M16</b> KEY SIZE 8mm A/F 2.0p	16	50	1.54	833198
	18	50	1.60	833199
	20	50	2.10	833200
	25	50	2.75	833202
	30	50	3.45	833204
	35	50	4.15	833206
	40	50	4.85	833208
	45	25	5.22	833210
	50	50	6.00	833212
	60	10	7.66	833216
	80	10	10.46	833220

Diameter	Length	Box	Weight	Code
<b>M20</b> KEY SIZE 10mm A/F 2.5p	25	10	4.04	833295
	30	10	5.02	833297
	35	10	5.68	833300
	40	10	6.72	833310
	50	10	6.86	833316
	55	10	9.84	833350
	60	10	10.84	833370

Diameter	Length	Box	Weight	Code
<b>M24</b> KEY SIZE 12mm A/F 3.0p	30	10	6.72	833400
	35	10	7.18	833405
	40	10	8.05	833410
	50	10	8.80	833412



FOUNDED 1925®

# METRIC

## SOCKET FLANGE BUTTON

### DIN 2671 10•9

#### SELF COLOUR

Diameter	Length	Box	Weight	Code
<b>M3</b> KEY SIZE 2mm A/F 0.50p	6	200	0.04	965050
	8	200	0.05	965052
	10	200	0.05	965054
	12	200	0.08	965056
	14	200	0.08	965058
	15	200	0.09	965059
	16	200	0.09	965060
	18	200	0.09	965062

<b>M4</b> KEY SIZE 2.5mm A/F 0.70p	6	200	0.12	965080
	8	200	0.13	965082
	10	200	0.14	965084
	12	200	0.14	965086
	14	200	0.15	965088
	16	200	0.18	965090
	18	200	0.18	965092
	20	200	0.38	965094
	25	200	0.43	965098
	30	200	0.62	965102

<b>M5</b> KEY SIZE 3mm A/F 0.80p	8	200	0.24	965147
	10	200	0.24	965150
	12	200	0.25	965152
	16	200	0.27	965158
	20	200	0.35	965162
	25	200	0.43	965164
	30	200	0.47	965166
	35	100	0.66	965168
	40	100	0.81	965170

<b>M6</b> KEY SIZE 4mm A/F 1.00p	8	200	0.32	965206
	10	200	0.33	965208
	12	200	0.34	965210
	16	200	0.41	965216
	20	200	0.50	965218
	25	200	0.55	965222
	30	200	0.65	965226
	35	200	0.81	965228
	40	100	0.92	965230

<b>M8</b> KEY SIZE 5mm A/F 1.25p	10	200	0.50	965280
	12	200	0.55	965282
	16	200	0.79	965286
	20	200	0.87	965290
	25	100	1.05	965293
	30	100	1.31	965295
	35	100	1.48	965298
	40	100	1.71	965300
	45	100	1.92	965306
	50	50	2.06	965309
	60	50	2.51	965315

<b>M10</b> KEY SIZE 6mm A/F 1.50p	16	100	1.50	965386
	20	100	1.81	965390
	25	100	1.95	965395
	30	100	2.18	965398
	35	50	2.40	965404
	40	50	2.68	965406
	50	50	3.00	965410

#### CHEMICALLY ZINC PLATED

Diameter	Length	Box	Weight	Code
<b>M3</b> KEY SIZE 2mm A/F 0.50p	6	200	0.04	965050
	8	200	0.05	965052
	10	200	0.05	965054
	12	200	0.08	965056
	16	200	0.09	965060

<b>M4</b> KEY SIZE 2.5mm A/F 0.70p	6	200	0.12	965080
	8	200	0.13	965082
	10	200	0.14	965084
	12	200	0.14	965086
	16	200	0.18	965090
	18	200	0.18	965092
	20	200	0.38	965094
	25	200	0.43	965098
	30	200	0.62	965102

<b>M5</b> KEY SIZE 3mm A/F 0.80p	8	200	0.24	965147
	10	200	0.24	965150
	12	200	0.25	965152
	16	200	0.27	965158
	20	200	0.35	965162
	25	200	0.43	965164
	30	200	0.47	965166
	35	100	0.66	965168
	40	100	0.81	965170

<b>M6</b> KEY SIZE 4mm A/F 1.00p	8	200	0.32	965206
	10	200	0.33	965208
	12	200	0.34	965210
	16	200	0.41	965216
	20	200	0.50	965218
	25	200	0.55	965222
	30	200	0.65	965226
	35	200	0.81	965228
	40	100	0.92	965230

<b>M8</b> KEY SIZE 5mm A/F 1.25p	10	200	0.50	965280
	12	200	0.55	965282
	16	200	0.79	965286
	20	200	0.87	965290
	25	100	1.05	965293
	30	100	1.31	965295
	35	100	1.48	965298
	40	100	1.71	965300
	45	100	1.92	965306
	50	50	2.06	965309
	60	50	2.51	965315

<b>M10</b> KEY SIZE 6mm A/F 1.50p	16	100	1.50	965386
	20	100	1.81	965390
	25	100	1.95	965395
	30	100	2.18	965398
	35	50	2.40	965404
	40	50	2.68	965406



# Conditions of Sale

Amend 1 - 1 January 1997

## 1. Introduction

These Conditions shall apply to all sales of goods by the Company to exclusion of all other terms, conditions and warranties. The Company shall not be bound by any representation, guarantee or warranty made by its employees, agents or representatives. These Conditions shall not be varied save by written agreement between the Company and the Buyer.

2. These Conditions or any agreed change to these Conditions shall in all respects operate in conformity with English and European Laws.

3. The Company shall not be liable for any inability to comply with its obligations under an order due to any cause whatsoever beyond its reasonable control, including (but not limited hereto) war, riot strike or lock-out, act of God, storm, fire, earthquake, explosion, flood, confiscation, action of any government or government agency, or shortage of goods and time for delivery shall be extended by a period corresponding to the period to such inability provided always that either the Company or the Buyer may give notice in writing to the other cancelling deliveries which should have been made during a period of force majeure in the event of such period extending beyond 84 consecutive days.

## 4. Price

The prices shown in the Price Lists are the manufacturer's quoted prices at the date of printing and in the event of any changes in the same prior to the date upon which the goods are dispatched by the Company, the Company may increase the price accordingly and will invoice the Buyer at the amended price; all prices are ex-works. Prices in the list are for the sole use of distributors. Care has been taken in compiling this price list, responsibility cannot be accepted for errors or omissions.

## 5. Delivery

(a) Dates given by the Company for delivery are estimated only but will be maintained as closely as possible, the Company will not be responsible for any losses caused to the Buyer by late delivery.

(b) Each delivery of goods in accordance with an order shall be deemed to constitute a separate contract to which these items and conditions shall, so far as it is possible, apply and failure to make any delivery shall not terminate the order as to future deliveries.

## 6. Risk & Title

Acceptance of any orders for goods shall comprise an agreement to sell the goods and not a sale of them and no title to the goods shall pass to the intended Buyer by reason of delivery and acceptance of the same. The Company shall remain the owner of the goods until all sums owed by the intended Buyer to the Company or any company in the Company's Group and any and all claims by the Company or any company in the Company's Group against the intended Buyer arising from the Company's or any company in the Company's Group business relationship including all sums owed as a result of contract entered into at a future date or simultaneously have been paid in full. Until such time the intended Buyer shall be the bailee of the goods for the Company and shall store them on his premises separately from his own goods and those of any other person and in a manner which renders them immediately identifiable as the goods of the Company. The Company may for the purpose of removing its goods enter upon any premises where they are stored or where they are reasonably believed to be stored and may repossess the same. All risk in the goods passes on delivery of the goods.

The Buyer shall insure all the goods on the Buyers premises or under its control with a reputable insurance company in respect of all risks as a prudent owner would insure goods on a full indemnity basis against any and all losses or damage.

## 7. Carriage

No claim for damage to or loss of the goods or part thereof in transit will be considered by the Company unless the Buyer:

(a) despatches separate written notice to the carrier concerned, if any, and to the Company of the damage or shortage within seven days of delivery of the goods or, in the event of loss of the goods, within seven days of the notified date of despatch.

(b) submits a detailed claim in writing to the Company within five days of the date of the notice given under (a) above, and

(c) endorsed, where applicable, on the carrier's receipt that the goods had been accepted without examination.

## 8. Payment

Payment shall be made within 30 days of the end of the month in which delivery is made and if payment is overdue the Company reserves the right to charge

interest on the price at the rate of 2% per month from the date by which payment should have been made until day of payment provided always that the payment of such interest shall be in addition to all other rights of the Company. All reasonable costs incurred in recovery of overdue debts will be charged in addition to all other rights of the Company.

9. Without prejudice to their rights to damages the Company may terminate the contract by notice in writing if the Buyer fails to take any delivery of goods when due or makes default in any payment when due.

10. If the Buyer shall commit any act of bankruptcy or being a Limited Company if any resolution of petition to wind up such company's business shall be passed or presented or a receiver be appointed of its undertaking, property or assets or any part thereof or if the Buyer, whether an individual of company, shall have any execution or distress levied upon any of his or its goods or property all unpaid invoices of the Company shall come immediately due and payable the Company shall have the right to determine any contract then subsisting without prejudice to any claim or right the Company might otherwise make or exercise.

## 11. Warranties and Exclusions

The Company does not warrant, guarantee or hold that the goods are of merchantable quality or fit for any purpose, whether such purpose is known to the Company or not and in the event of the Buyer receiving defective goods it must forthwith notify the Company of the same and if requested return the goods to the Company for transmission to the manufacturer. The Company must use its best endeavours to obtain the benefits of any guarantee given by the manufacturer and its liability to the Buyer shall be limited to any sum received by it thereunder in no event shall the Company be liable for consequential loss, if any, suffered by the Buyer.

12. Hydrogen embrittlement occurs in heat treated products which are chemically cleaned and/or electrolytically plated. Hydrogen molecules permeate the steel and disjoin the grain structure and this could result in a failure in the product. Subsequent heating is no guarantee that the risk of Hydrogen embrittlement has been removed therefore fasteners plated by any sources other than Brighton Best are not guaranteed and not subject to return, also fasteners modified by any source other than Brighton-Best are not guaranteed and not subject to return. Fasteners are not accepted for return without our permission.

## 13. Shortages

If the Customer notifies the Company in writing within 10 days of delivery of goods of any shortages, that exceed 5% of the Shipment Quantity, and the Company is satisfied that such shortages occurred before delivery then the Company will either make good the shortage at its own cost within such time as may be reasonable for the Company having regard to its commitments or, at the option of the Company, reduce the purchase price by the price of the goods not delivered. In no other circumstances shall the Company be liable for any shortages nor shall the Customer be entitled to any other relief in respect of shortages.

## 14. Manufactured Special Parts

If the Company undertakes to have goods manufactured to the Buyer's patent or specification no responsibility will be accepted in respect of any infringement of patent rights, trade marks or registered designs. The Buyer will indemnify the Company against any claim whatsoever for damages, costs or any other losses in respect of any proceedings or otherwise resulting from the Company's compliance with the Buyer's instructions express or implied. Cancellation or modification of any order for special goods cannot be accepted once manufacture has commenced. The Company may advise and supply 10% more or less than the exact quantity ordered and any such excess or shortage will be charged for or deducted pro-rata.

## 15. General

The prices specified in this Price List are exclusive of Value Added Tax and the Buyer shall pay to the Company a sum equal to such tax in addition to and at the same time as the prices so specified.

16. Any notice sent by post in accordance with these Conditions shall be deemed to have been delivered or served 48 hours after the same shall have been posted in a properly addressed pre-paid envelope and proof of posting shall be sufficient proof of service.

17. The Company will amend quantities to fall within the nearest "Box" quantity.

18. These Conditions do not constitute any partnership or agency between the Company and the Buyer.

19. If any part of any provision of these Conditions shall to any extent be invalid or unenforceable the remainder of such provision and all other provisions hereof shall be unaffected thereby and enforceable to the fullest extent permitted by law.



FOUNDED 1925®

**Brighton Best**  
International

PHONE: +44 (0) 121 553 4674

FAX: +44 (0) 121 553 5024

WEB: [www.brightonbest.co.uk](http://www.brightonbest.co.uk)

EMAIL: [sales@brightonbest.org](mailto:sales@brightonbest.org)



**SOCKET CAP SCREWS**

METRIC	STEEL 12.9	532
METRIC	STEEL NON STANDARD	594
METRIC	STEEL 12.9 ZINC PLATED	911
METRIC	A2 ST STEEL	538
METRIC	FINE PITCH STEEL 12.9	532
METRIC	LOW HEAD	531
UNC UNF	1960 ALLOY STEEL	011
UNC UNF	STEEL NON STANDARD	581
UNC UNF	1936 ALLOY STEEL	307
UNC UNF	ALLOY STEEL MECH ZINC	837
UNC UNF	STEEL NYLON PATCH	015
UNC UNF	STEEL NYLON PELLET	271
UNC UNF	A2 ST STEEL	012
UNC UNF	A2 ST STEEL NON STD	592
UNC UNF	A2 ST STEEL NYLON PATCH	016
UNC UNF	A4 ST STEEL	014
UNC UNF	MONEL	018
UNC UNF	LOW HEAD	019
WHITWORTH	STEEL 12.9	813
B8F	STEEL 12.9	813
B4	STEEL 12.9	820

**SOCKET COUNTERSINK SCREWS**

METRIC	STEEL 10.9	534
METRIC	STEEL 10.9 ZINC PLATED	913
METRIC	A2 ST STEEL	823
UNC UNF	ALLOY STEEL	211
UNC UNF	ALLOY STEEL NON STD	721
UNC UNF	STEEL MECH ZINC	840
UNC UNF	STEEL NYLON PATCH	215
UNC UNF	STEEL NYLON PELLET	293
UNC UNF	A2 ST STEEL	212
UNC UNF	A2 ST STEEL NON STD	712
WHITWORTH	STEEL	814
B8F	STEEL	814
B4	STEEL	818

**SOCKET BUTTON HEAD SCREWS**

METRIC	STEEL 10.9	535
METRIC	STEEL 10.9 ZINC PLATED	914
METRIC	A2 ST STEEL	824
METRIC	FLANGE BUTTONS	965
METRIC	FLANGE BUTTONS ZINC	921
METRIC	FLANGE BUTTONS A2	921
UNC UNF	ALLOY STEEL	201
UNC UNF	ALLOY STEEL NON STD	701
UNC UNF	STEEL NYLON PATCH	225
UNC UNF	STEEL NYLON PELLET	295
UNC UNF	A2 ST STEEL	202
UNC UNF	A2 ST STEEL NON STD	702
WHITWORTH	STEEL	817
B8F	STEEL	817
B4	STEEL	819

**SOCKET SHOULDER SCREWS**

METRIC	STEEL 12.9	537
METRIC	A2 ST STEEL	
UNC UNF	STEEL 12.9	221
UNC UNF	NON STANDARD	711
UNC UNF	A2 ST STEEL	710
UNC UNF	STEEL NYLON PATCH	225
UNC UNF	STEEL NYLON PELLET	295

**HEXAGON KEYS**

METRIC	SHORT ARM 8650	530
METRIC	SHORT ARM 6150	513
METRIC	LONG ARM 8650	528
INCH	SHORT ARM 8650	509
INCH	LONG ARM 8650	519
METRIC	POUCH & T KITS	529
INCH	POUCH & T KITS	529

**TEE BOLTS**

WHITWORTH	STEEL 12.9	948
METRIC	STEEL 12.9	948

**SQUARE HEAD SCREWS**

UNC	STEEL CUP PT	409
UNC	STEEL CUP PT GIANT	411
UNC	STEEL CUP PT	412
UNC	ALLOY CUP PT	805
UNC	STEEL DOG PT	410
UNC	BRASS CUP PT	407
UNC	STAINLESS CUP PT	408
UNC	STEEL FLAT PT	413
UNC	STEEL CONE PT	414
UNC	STEEL OVAL PT	415

**SOCKET SET SCREWS**

METRIC	STEEL 14.9	533
METRIC	STEEL 14.9 ZINC PLATED	912
METRIC	FINE PITCH	533
METRIC	A2 ST STEEL	539
METRIC	ALLOY STEEL	533
UNC UNF	ALLOY STEEL	101
UNC UNF	STEEL NYLON PATCH	105
UNC UNF	STEEL NYLON PELLET	281
UNC UNF	STEEL MECH ZINC	838
UNC UNF	STEEL NON STD	601
UNC UNF	A2 ST STEEL	102
UNC UNF	A2 ST STEEL NON STD	602
UNC UNF	A2 ST STEEL NYLON PATCH	106
UNC UNF	A4 ST STEEL	104
UNC UNF	MONEL	108
UNC UNF	BRASS	107
WHITWORTH	STEEL 12.9	922
B8F	STEEL 12.9	923
B4	STEEL 12.9	924

**DOWEL PINS**

METRIC	H68 STEEL	536
METRIC	EXTRACTABLE	548
METRIC	STAINLESS STEEL	549
INCH	H68 STEEL	241
INCH	STAINLESS STEEL	242
INCH	OVER SIZE	251
INCH	PULL OUT	261

**HEX BOLTS AND HEX SET SCREWS**

METRIC	8.8 DIN 931 933	815
METRIC	10.9 DIN 931 933	440
UNC UNF	US GRADE 5.8 8.8	847
UNC UNF	US GRADE 5 NON	846
UNC UNF	S&E GRADE 8 10.9	450
UNC UNF	S&E GRADE 8 NON	451
UNC	L9	440

**WASHERS**

INCH	US 8 FLAT	351
INCH	S&E FLAT	381
INCH	GRADE 8 SPRING	341
INCH	L9 SPECIAL	448
INCH	HIGH COLLAR SPRING	013
METRIC	US FLAT	371
METRIC	SPRING	361

**SPRING TENSION PINS**

METRIC	STEEL	802
METRIC	STAINLESS STEEL	801
INCH	STEEL	803
INCH	STAINLESS STEEL	803

**KNURLED CUP POINT**

METRIC	STEEL 14.9	821
UNC UNF	STEEL	111
UNC UNF	STEEL NON STD	

**CONE POINT**

METRIC	STEEL 14.9	831
UNC UNF	ALLOY STEEL	121
UNC UNF	STEEL NON STD	604
UNC UNF	STEEL NYLON PATCH	125
UNC UNF	A2 ST STEEL	704

**DOG POINT**

METRIC	STEEL 14.9	833
UNC UNF	STEEL	141
UNC UNF	STEEL NON STD	606
UNC UNF	STEEL NYLON PATCH	145
UNC UNF	A2 ST STEEL	706

**FULL DOG**

UNC UNF	STEEL FULL DOG	607
UNC UNF	A2 ST STEEL FULL DOG	707

**SOCKET PRESSURE PIPE PLUGS**

B8PT	STEEL	822
NPTF 3/4	STEEL DRI SEAL	231
NPTF 7/8	STEEL FLUSH SEAL	233
NPTF 3/4	ST STEEL	232
NPTF 3/4	BRASS	230
METRIC	STEEL	

**NUTS**

METRIC	FULL NUTS GRADE 10	315
UNC UNF	S&E 5 NUTS	848
UNC UNF	S&E 8 NUTS	306
UNC UNF	S&E 8 NUTS LARGE	308
UNC UNF	L9 FILL NUT	444
UNC UNF	L9 LOCKING NUT	446
UNC UNF	JAM NUTS	816
METRIC	NYLON INSERT DIN902/905	812
UNC UNF	NYLON INSERT NE & NW	305
UNC UNF	NYLON INSERT A2 NE & NW	310
UNC UNF	NYLON INSERT N1M N1U N1TU	305
UNC UNF	NYLON INSERT 8 PHOS	828
UNC UNF	NYLON INSERT 8 L & Y	845
UNC UNF	ALL METAL LOCKING NUT	825

**TAMPER RESISTANT**

UNC UNF	SOCKET CAP	810
UNC UNF	SOCKET CJK	808
UNC UNF	SOCKET BUTTON	806
UNC UNF	A2 SOCKET CAP	811
UNC UNF	A2 SOCKET CJK	809
UNC UNF	A2 SOCKET BUTTON	807
INCH	HEXAGON KEY	510

**FLAT POINT**

METRIC	STEEL 14.9	832
UNC UNF	STEEL	151
UNC UNF	STEEL NON STD	603
UNC UNF	STEEL NYLON PATCH	155
UNC UNF	A2 ST STEEL	703

**OVAL POINT**

UNC UNF	STEEL	131
UNC UNF	STEEL NON STD	605
UNC UNF	STEEL NYLON PATCH	135
UNC UNF	A2 ST STEEL	705

**SOCKET SET SCREWS TIPPED**

UNC UNF	STEEL NYLON TIP	475
UNC UNF	STEEL BRASS TIP	476
UNC UNF	A2 NYLON TIP	477

**SLOTTED**

METRIC	STEEL 12.9 DIN 553 CONE	982
METRIC	STEEL 12.9 DIN 551 FLAT	980