



Indoor Comfort Products Brought to You
by the Manufactured Home Experts!

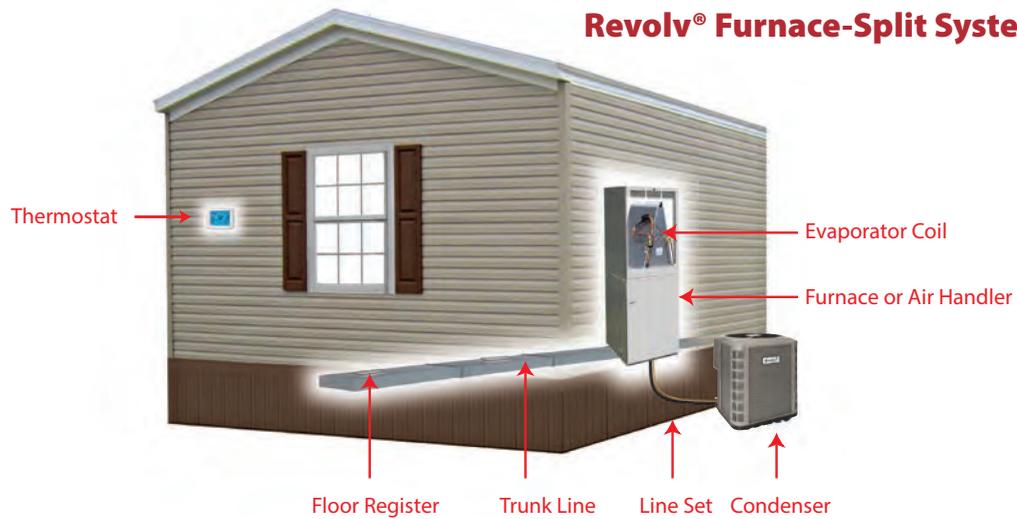


800.945.4440
www.stylecrestinc.com

TABLE OF CONTENTS

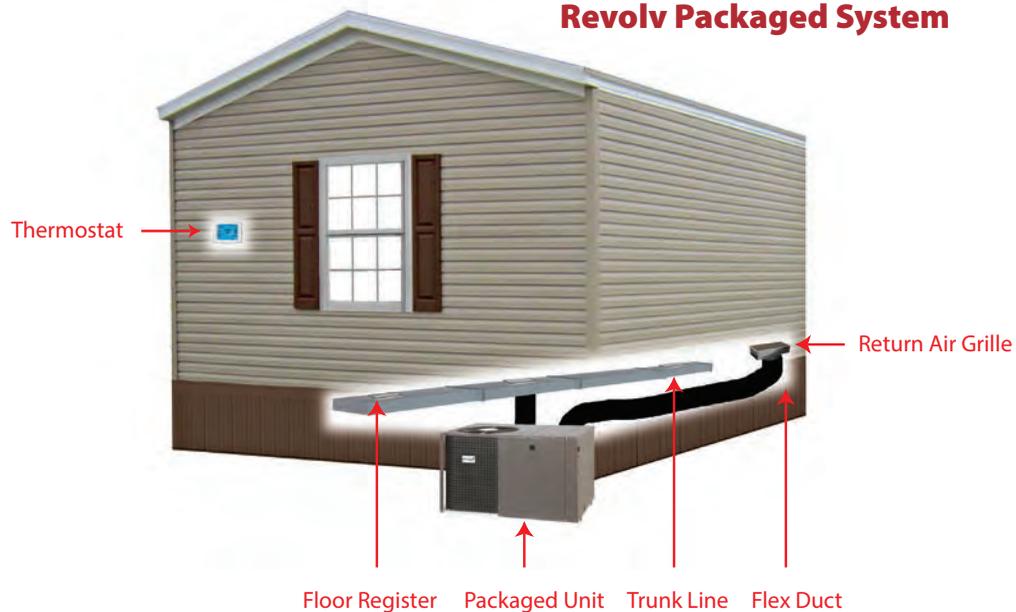
Manufactured Housing HVAC System Diagrams	Page 1
Terminology & Definitions	Page 2
Split System Air Conditioners & Heat Pumps	
AccuCharge® 13 SEER Air Conditioners.....	Page 3-4
AccuCharge 14 SEER Air Conditioners.....	Page 5-6
AccuCharge 14 SEER Heat Pumps.....	Page 7-8
AccuCharge Line Sets and Stubs.....	Page 9
Split System Sweat Fit 13 SEER Air Conditioners.....	Page 11-12
Split System Sweat Fit 14 SEER Air Conditioners.....	Page 13-14
Split System Sweat Fit 14 SEER Heat Pumps.....	Page 15-16
Sweat Fit Line Sets & Split Accessories.....	Page 17
Split System Accessories.....	Page 18
Manufactured Housing Indoor A-Coils	
Tube-In-Fin MH Indoor A-Coils (R-410A).....	Page 19-20
Manufactured Housing Service Coils.....	Page 21-22
Manufactured Housing HVAC Accessories	
Coil Boxes Blowers Grilles Fuel Kits Control Boxes Thermostats.....	Page 23-24
Packaged Systems	
14 SEER Packaged Air Conditioners & Heat Pumps.....	Page 25-26
14 SEER Packaged Unit & System Accessories	
Supply & Return Kits Blowers Grilles Flex Duct Backflow Dampers.....	Page 27-29
Furnaces—Electric	
RE9 100% AFUE Electric Furnaces.....	Page 31-32
RE9 Electric Furnace Accessories.....	Page 33
RE9X Electric Furnace Accessories.....	Page 34
Furnaces—Fossil Fuels	
RG7 95%+ AFUE Gas Furnaces.....	Page 35-36
RG1 80% AFUE Gas Furnaces.....	Page 37-38
M5SB 83% AFUE Oil Furnaces.....	Page 39-40
RG7, RG1 & M5SB Furnace Accessories.....	Page 41
RG1 & M5SB Furnace Accessories.....	Page 42
VMC/VMA Series 95% AFUE Gas Furnaces.....	Page 43-44
VMC/VMA Gas Furnace Accessories.....	Page 45
General HVAC Accessories	
Draft Caps Filters Flashing Dampers Pads Registers Etc.....	Page 46-48
Thermostats.....	Page 49-51

Revolv® Furnace-Split System



A **Revolv Split System** can provide both heating and/or cooling, that is split into two primary sections—outdoor and indoor. A complete HVAC system would consist of an indoor coil attached (installed in a pressurized compartment) to a Furnace/Air Handler installed in the home, and is connected to the outdoor condenser section by a refrigerant line set.

Revolv Packaged System



A **Revolv Packaged System** can provide both heating and cooling from one self-contained unit, placed outside of the home. Only air and electric connections must be made to connect the system to the home's prefabricated ductwork.

Terminology and Definitions

AFUE—Annual Fuel Utilization Efficiency wherein the higher the number, the more efficient the unit is rated. The Department of Energy's (DOE) minimum efficiency level is 80%.

Air Handler—This is the indoor section of a split system, also known as a fan coil, which serves to move air through your duct work via a blower motor.

Ambient Temperature—This is the air temperature surrounding the particular piece of equipment.

BTU—British Thermal Unit (Btu). This is the amount of heat required to raise the temperature of one pound of water by one degree Fahrenheit. This is a unit energy, often used in a common expression of air conditioning capacity: Btu/hr, also commonly expressed as Btuh or MBH (x1000 Btu/hr).

Condensing Unit—This is the outdoor section of a split system air conditioning system which cools refrigerant that circulates in the HVAC system. This unit requires periodic cleaning to operate efficiently.

EER—Energy Efficiency Ratio. The Air Conditioning, Heating and Refrigeration Institute standardized this rating, which reports central air conditioning efficiency at 80° F indoor- and 95° F outdoor temperatures. This rating measures steady-state efficiency not accounting for seasonal temperature variation.

Energy Star—HVAC products with the ENERGY STAR symbol are deemed to be environmentally friendly by meeting higher energy efficiency tiers set by the Environmental Protection Agency (EPA) and the Department of Energy (DOE).

Evaporator Coil—The heat transfer device that absorbs heat from the surrounding air to provide comfort cooling; commonly called an "indoor coil" or "A-coil", even though during a heat pump cycle this transfer would occur in the outdoor coil." This element needs periodic cleaning to work efficiently.

Heat Pump—Provides heating and cooling comfort as a split system or as a packaged system. In colder climates, a heat pump can be combined with a furnace, to provide more efficient heating during the spring and fall seasons.

HSPF—Heating Seasonal Performance Factor and indicates the comparative level of a heat pumps' heating efficiency. A higher HSPF number indicates greater efficiency.

HVAC—Heating, Ventilation and Air Conditioning. Occasionally an "R" is used at the end (HVACR) to also include Refrigeration, encompassing all products in this industry.

Latent Heat—is the energy absorbed by or released from a substance during a phase change from a gas to a liquid or a solid or vice versa. If a substance is changing from a solid to a liquid, for example, the substance needs to absorb energy from the surrounding environment in order to spread out the molecules into a larger, more fluid volume. If the substance is changing from something with lower density, like a gas, to a phase with higher density like a liquid, the substance gives off energy as the molecules come closer together and lose energy from motion and vibration. Most closely associated with humidity and a wet-bulb temperature.

Packaged System—Packaged units provide both heating and cooling from one unit that is placed outside the home or business. Packaged units are available in several combinations of fuel sources - gas heat/electric cooling; heat pump; electric heat/electric cooling; oil heat/electric cooling.

Sensible Heat—The energy required to change the temperature of a substance with no phase change. This is what the thermostat and thermometer registers commonly referred to as a dry-bulb temperature, which does not take moisture content into consideration.

SEER—A measurement of the efficiency of cooling products which stands for Seasonal Energy Efficiency Ratio. A higher SEER indicates a higher energy efficiency. SEER rating is generally more important than the size of your air conditioning unit. R in SEER means Rating.

Split System—This describes an air conditioning or heat pump system that is split into two sections - an outdoor section and an indoor section. A typical split system is an air conditioning condensing unit on an equipment pad on the outside of the home with a furnace and air handler inside the home.

Thermocouple/Flame Sensor—Monitoring and safety control devices designed to detect and respond to the presence of heat or a flame.

Thermostat—is a control device located inside your home or office used to set, maintain and control temperature levels. A thermostat will automatically turn on an HVAC system to maintain a preset temperature level and should not be used as a switch. Thermostats must be matched to the type of system used and wired accordingly.

Ton—A measurement of the capacity of an air conditioning system (not weight) equivalent to 12,000 Btuh. 12,000 Btu/hr is the rate at which energy must be consumed to melt 1 metric-ton (weight) of 32°F ice into 32°F water, in 24hrs at standard room conditions.



Indoor Comfort Products Brought To You
By The Manufactured Home Experts!

13 SEER AC AccuCharge® Split Systems

Features and Benefits

New Corner-Post Design with louvered panels that are easily removed for service, while protecting the coils from yard debris and extreme weather.

Improved Composite Drain Pan design has more drainage holes for condensation evacuation and molded stops to prevent coil shifting, all in 1 of 2 standardized footprints.

Corner-post Packaging creates a gap around the entire unit, minimizing pressure on the unit structure and contact with the carton, so your unit arrives safely to the customer.

AccuCharge Systems consist of pre-charged quick-connect equipment and line sets; significantly reducing the time and skill-set necessary to install a system.

Dependable Warranty handled directly by Style Crest's HVAC Warranty Team, offering the most competitive warranty coverage and service, in the industry.

13 SEER can only be installed in the Northern DOE Region



Tube-in-Fin Coil



Cutaway of FitRight™ Fitting



Line Set w/FitRight Fittings



13 SEER AC AccuCharge® Split Systems

Nominal Tons ¹	Old SKU	Old AHRI Model	New SKU	New AHRI Model	Item Wt.	Ship Wt.	Sound
2	RSC1324	RS6QD-024KA	RSCQ243	RSA1QD4M1RN24K	126 lbs	142 lbs	74 dB
2.5	RSC1330	RS6QD-030KA	RSCQ303	RSA1QD4M1RN30K	133 lbs	142 lbs	74 dB
3	RSC1336	RS6QD-036KA	RSCQ363	RSA1QD4M1RN36K	140 lbs	149 lbs	76 dB
3.5	RSC1342	RS4QD-042KD	RSCQ423	RSA1QD4M1SN42K	195 lbs	200 lbs	79 dB
4	RSC1348	RS4QD-048KC	RSCQ483	RSA1QD4M1SN48K	197 lbs	200 lbs	78 dB

1) Refer to AHRI listings for actual capacities and performance data.

New SKU	Ship L	Ship W	Ship H	Suction Line Ø	Liquid Line Ø	Item L	Item W	Item H	Min. Pad Size
RSCQ243	27 ½"	27 ½"	31"	¾"	⅜"	23 ¾"	23 ¾"	28 ½"	24" x 24"
RSCQ303	27 ½"	27 ½"	31"	¾"	⅜"	23 ¾"	23 ¾"	28 ½"	24" x 24"
RSCQ363	27 ½"	27 ½"	39"	¾" ²	⅜"	23 ¾"	23 ¾"	37 ¼"	24" x 24"
RSCQ423	35 ½"	35 ½"	31"	7/8"	⅜"	31 ¾"	31 ¾"	28 ½"	32" x 32"
RSCQ483	35 ½"	35 ½"	31"	7/8"	⅜"	31 ¾"	31 ¾"	28 ½"	32" x 32"

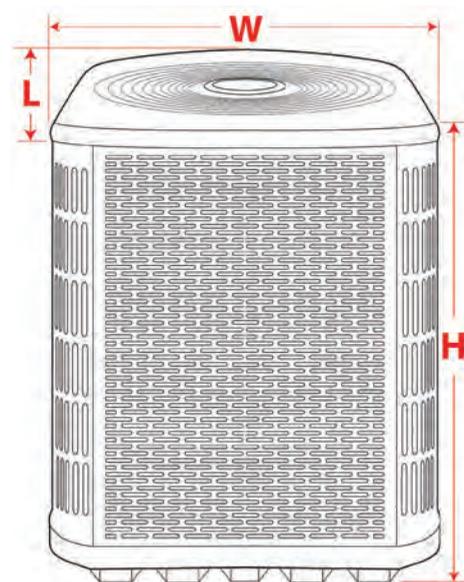
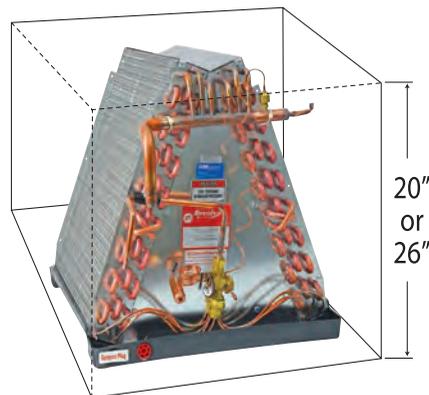
2) Line set vapor line increases to ⅝" over 24 ft equivalent length.

Tube-in-Fin Indoor (Evaporator) A-Coil Matches - TXV

Nominal Tons ¹	Condenser SKU	Coil SKU	AHRI Cert #	Coil H	Min. Cab. H
2	RSCQ243	1836M4A	201841652	18"	20"
2.5	RSCQ303	1836M4A	201841651	18"	20"
3	RSCQ363	1854M4A	201841650	18 ½"	20"
3.5	RSCQ423	1854M4A	201841646	18 ½"	20"
4	RSCQ483	1847M4A	201841642	22 ½"	26"
4	RSCQ483	187848M4A	201974563	19 ½"	20"



Accessory Kit



Note: A furnace blower upgrade and/or TDR may also be required to achieve the desired output performance.



Indoor Comfort Products Brought To You
By The Manufactured Home Experts!

14 SEER AC AccuCharge® Split Systems

Features and Benefits

New Corner-Post Design with louvered panels that are easily removed for service, while protecting the coils from yard debris and extreme weather.

Improved Composite Drain Pan design has more drainage holes for condensation evacuation and molded stops to prevent coil shifting, all in 1 of 2 standardized footprints.

Corner-post Packaging creates a gap around the entire unit, minimizing pressure on the unit structure and contact with the carton, so your unit arrives safely to the customer.

AccuCharge Systems consist of pre-charged quick-connect equipment and line sets; significantly reducing the time and skill-set necessary to install a system.

Dependable Warranty handled directly by Style Crest's HVAC Warranty Team, offering the most competitive warranty coverage and service, in the industry.



Tube-in-Fin Coil



Cutaway of FitRight™ Fitting



Line Set w/FitRight Fittings



14 SEER AC AccuCharge® Split Systems

Nominal Tons ¹	Old SKU	Old AHRI Model	New SKU	New AHRI Model	Item Wt.	Ship Wt.	Sound
2	RSC1424	RS4QE-024KB	RSCQ244	RSA1QE4M1RN24K	133 lbs	138 lbs	74 dB
2.5	RSC1430	RS4QE-030KB	RSCQ304	RSA1QE4M1RN30K	159 lbs	169 lbs	75 dB
3	RSC1436	RS4QE-036KA	RSCQ364	RSA1QE4M1SN36K	176 lbs	180 lbs	79 dB
3.5	RSC1442	RS6QF-042K	RSCQ424	RSA1QE4M1SN42K	195 lbs	220 lbs	79 dB
4	RSC1448	RS6QF-048K	RSCQ484	RSA1QE4M1SN48K	206 lbs	220 lbs	78 dB

1) Refer to AHRI listings for actual capacities and performance data.

New SKU	Ship L	Ship W	Ship H	Suction Line Ø	Liquid Line Ø	Item L	Item W	Item H	Min. Pad Size
RSCQ244	27 ½"	27 ½"	35"	¾"	⅜"	23 ¾"	23 ¾"	32 ½"	24" x 24"
RSCQ304	35 ½"	35 ½"	31"	¾"	⅜"	31 ¾"	31 ¾"	28 ½"	32" x 32"
RSCQ364	35 ½"	35 ½"	39"	¾" ²	⅜"	31 ¾"	31 ¾"	37 ¼"	32" x 32"
RSCQ424	35 ½"	35 ½"	43"	7/8"	⅜"	31 ¾"	31 ¾"	41 ¼"	32" x 32"
RSCQ484	35 ½"	35 ½"	43"	7/8"	⅜"	31 ¾"	31 ¾"	41 ¼"	32" x 32"

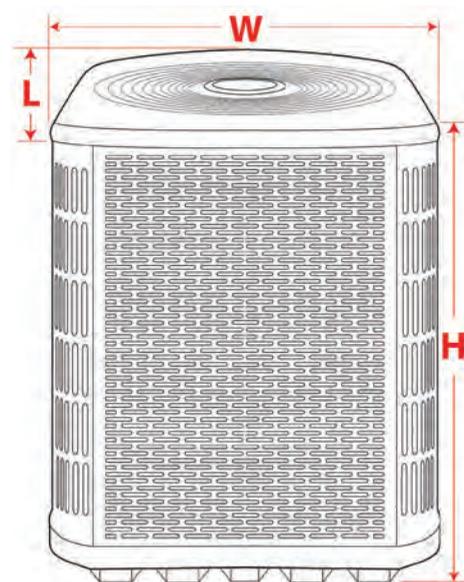
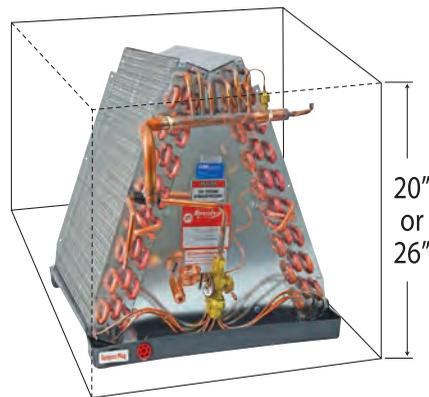
2) Line set vapor line increases to 7/8" over 24 ft equivalent length.

Tube-in-Fin Indoor (Evaporator) A-Coil Matches - TXV

Nominal Tons ¹	Condenser SKU	Coil SKU	AHRI Cert #	Coil H	Min. Cab. H
2	RSCQ244	1836M4A	201841639	18"	20"
2.5	RSCQ304	1836M4A	201841638	18"	20"
3	RSCQ364	1854M4A	201841634	18 ½"	20"
3.5	RSCQ424	1854M4A	201841632	18 ½"	20"
4	RSCQ484	1847M4A	201841631	22 ½"	26"
4	RSCQ484	187848M4A	201974567	19 ½"	20"



Accessory Kit



Note: A furnace blower upgrade and/or TDR may also be required to achieve the desired output performance.



Indoor Comfort Products Brought To You
By The Manufactured Home Experts!

14 SEER HP AccuCharge® Split Systems

Features and Benefits

New Corner-Post Design with louvered panels that are easily removed for service, while protecting the coils from yard debris and extreme weather.

Improved Composite Drain Pan design has more drainage holes for condensation evacuation and molded stops to prevent coil shifting, all in 1 of 2 standardized footprints.

Corner-post Packaging creates a gap around the entire unit, minimizing pressure on the unit structure and contact with the carton, so your unit arrives safely to the customer.

Micro-Channel Coils featuring parallel-flow aluminum tubes, superior corrosion protection and more efficient heat transfer surface.

Dependable Warranty handled directly by Style Crest's HVAC Warranty Team, offering the most competitive warranty coverage and service, in the industry.



Micro-Channel AccuCharge® Coil



Cutaway of FitRight™ Fitting



Line Set w/FitRight Fittings

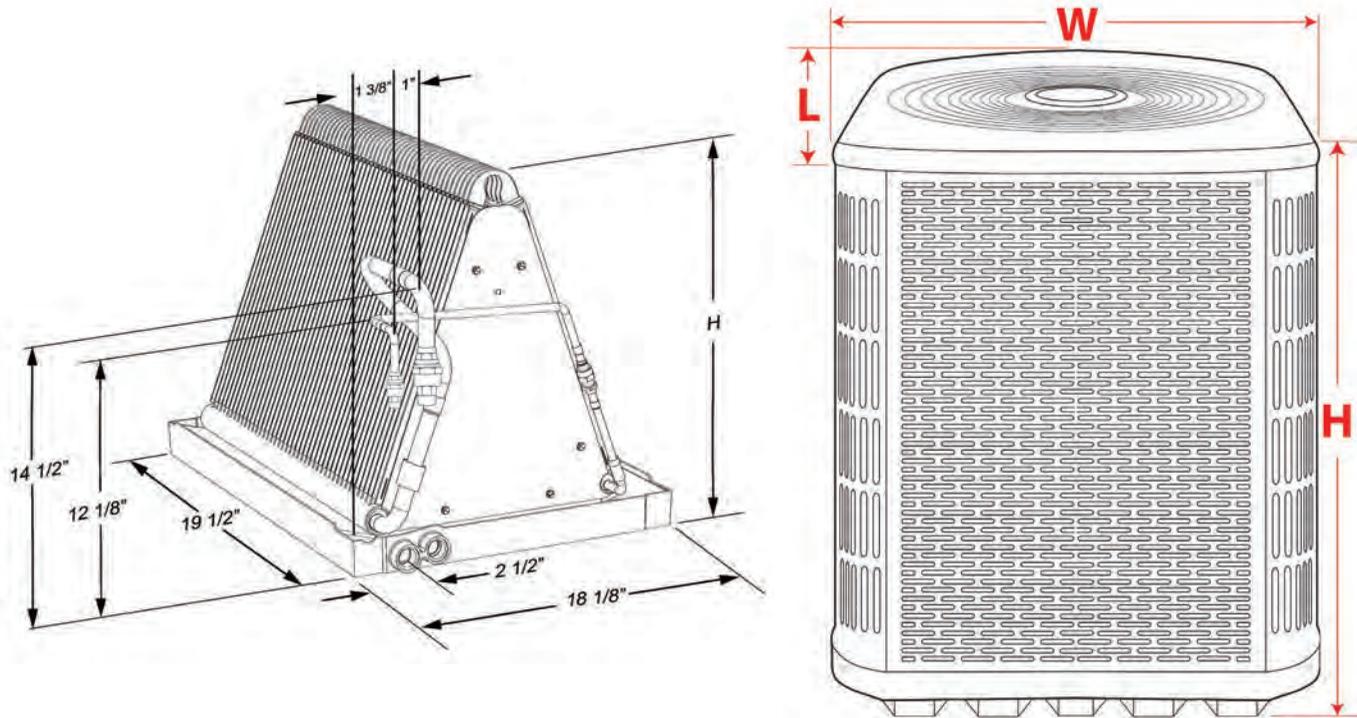


14 SEER HP AccuCharge® Split Systems

Nominal Tons ¹	Old SKU	Old AHRI Model	New SKU	New AHRI Model	Item Wt.	Ship Wt.	Sound
2	RSH1424	RT4QE-024KA	RSHQ244	RSH1QE4M1SP24K	168 lbs	175 lbs	75 dB
2.5	RSH1430	RT4QE-030KA	RSHQ304	RSH1QE4M1SP30K	189 lbs	195 lbs	75 dB
3	RSH1436	RT4QE-036KA	RSHQ364	RSH1QE4M1SP36K	198 lbs	205 lbs	76 dB
3.5	RSH1442	RT4QE-042KA	RSHQ424	RSH1QE4M1SP42K	234 lbs	240 lbs	79 dB
4	RSH1448	RT4QE-048KA	RSHQ484	RSH1QE4M1SP48K	234 lbs	240 lbs	79 dB

1) Refer to AHRI listings for actual capacities and performance data.

New SKU	Ship L	Ship W	Ship H	Suction Line Ø	Liquid Line Ø	Item L	Item W	Item H	Min. Pad Size
RSHQ244	35 1/2"	35 1/2"	35"	3/4"	3/8"	31 3/4"	31 3/4"	32 1/2"	32" x 32"
RSHQ304	35 1/2"	35 1/2"	43"	3/4"	3/8"	31 3/4"	31 3/4"	41 1/4"	32" x 32"
RSHQ364	35 1/2"	35 1/2"	47"	7/8"	3/8"	31 3/4"	31 3/4"	45 1/4"	32" x 32"
RSHQ424	35 1/2"	35 1/2"	47"	7/8"	3/8"	31 3/4"	31 3/4"	45 1/4"	32" x 32"
RSHQ484	35 1/2"	35 1/2"	47"	7/8"	3/8"	31 3/4"	31 3/4"	45 1/4"	32" x 32"



Micro-Channel Indoor (Evaporator) A-Coil Matches - TXV

Nominal Tons ¹	Condenser SKU	Coil SKU	AHRI Cert #	Coil H	Min. Cab.H
2	RSHQ244	C8QAMX24U-B	10615839	18"	20"
2.5	RSHQ304	C8QAMX30U-B	10615840	18"	20"
3	RSHQ364	C8QAMX36U-B	10615841	18"	20"
3.5	RSHQ424	C8QAMX42U-B	10615842	25"	26"
4	RSHQ484	C8QAMX49U-B	10615843	29"	31"

Note: A furnace blower upgrade and/or TDR may also be required to achieve the desired output performance.

AccuCharge® Line Sets & Stubs

AccuCharge (R-410A) Split System Line Sets				
Line Set SKU	Line Length	Liquid Line Ø	Suction Line Ø	Suction Insulation
4463Q1531	15 ft	3/8"	3/4"	3/8"
4463Q2031	20 ft	3/8"	3/4"	3/8"
4463Q2531	25 ft	3/8"	3/4"	3/8"
4463Q3031	30 ft	3/8"	3/4"	3/8"
4463Q4031	40 ft	3/8"	3/4"	3/8"
4463Q5031	50 ft	3/8"	3/4"	3/8"
4473Q1531	15 ft	3/8"	7/8"	3/8"
4473Q2031	20 ft	3/8"	7/8"	3/8"
4473Q2531	25 ft	3/8"	7/8"	3/8"
4473Q3031	30 ft	3/8"	7/8"	3/8"
4473Q4031	40 ft	3/8"	7/8"	3/8"
4473Q5031	50 ft	3/8"	7/8"	3/8"
4473Q7031	70 ft	3/8"	7/8"	3/8"

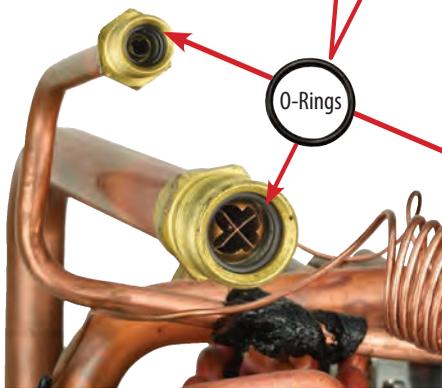
Sweat Fit to FitRight™ Stub Kits			
Line Set SKU	Equipment Use	Liquid Line Ø	Suction Line Ø
4563Q1101	Indoor Only	3/8"	3/4"
4563Q1201	Both - Indoor & Outdoor	3/8"	3/4"
4563Q2201	Outdoor Only	3/8"	3/4"
4573Q1101	Indoor Only	3/8"	7/8"
4573Q1201	Both - Indoor & Outdoor	3/8"	7/8"
4573Q2201	Outdoor Only	3/8"	7/8"



Indoor Stub Kit

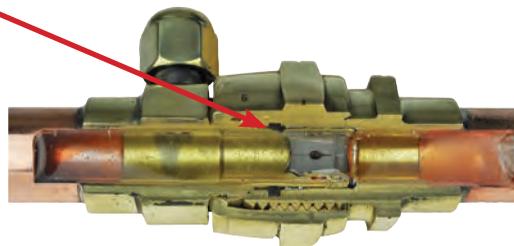
Outdoor Stub Kit

Condenser FitRight Fittings



Indoor Coil FitRight Fittings

AccuCharge Line Set With FitRight™ Fittings



Connected FitRight Fittings Cutaway View



Indoor Comfort Products Brought To You
By The Manufactured Home Experts!

13 SEER AC Sweat Fit Split Systems

Features and Benefits

New Corner-Post Design with louvered panels that are easily removed for service, while protecting the coils from yard debris and extreme weather.

Improved Composite Drain Pan design has more drainage holes for condensation evacuation and molded stops to prevent coil shifting, all in 1 of 2 standardized footprints.

Corner-post Packaging creates a gap around the entire unit, minimizing pressure on the unit structure and contact with the carton, so your unit arrives safely to the customer.

Dependable Warranty handled directly by Style Crest's HVAC Warranty Team, offering the most competitive warranty coverage and service, in the industry.

13 SEER can only be installed in the Northern DOE Region

**13 SEER can only be installed
in the Northern DOE Region**



Tube-in-Fin Coil



Sweat Fit Line Set



13 SEER AC Sweat Fit Split Systems

Nominal Tons ¹	Old SKU	Old AHRI Model	New SKU	New AHRI Model	Item Wt.	Ship Wt.	Sound
1.5	Not Offered	Not Offered	RSCS183	RSA1BD4M1SN18K	129 lbs	136 lbs	74 dB
2	RS4BD-024K	RS4BD-024KB	RSCS243	RSA1BD4M1SN24K	126 lbs	136 lbs	74 dB
2.5	RS4BD-030K	RS4BD-030KB	RSCS303	RSA1BD4M1SN30K	133 lbs	142 lbs	74 dB
3	RS4BD-036K	RS4BD-036KB	RSCS363	RSA1BD4M1SN36K	140 lbs	140 lbs	76 dB
3.5	RS4BD-042KB	RS4BD-042KB	RSCS423	RSA1BD4M1SN42K	195 lbs	200 lbs	79 dB
4	RS4BD-048KB	RS4BD-048KB	RSCS483	RSA1BD4M1SN48K	197 lbs	200 lbs	78 dB

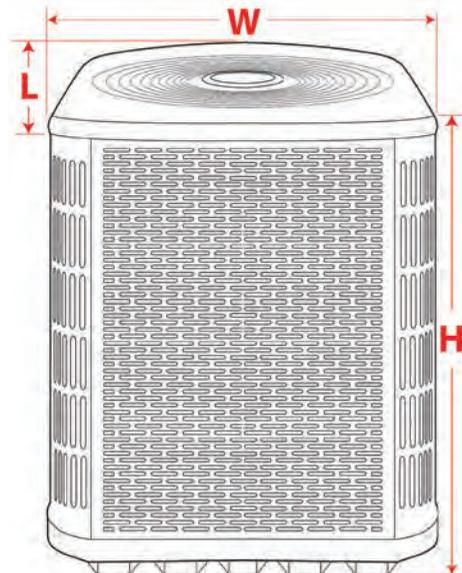
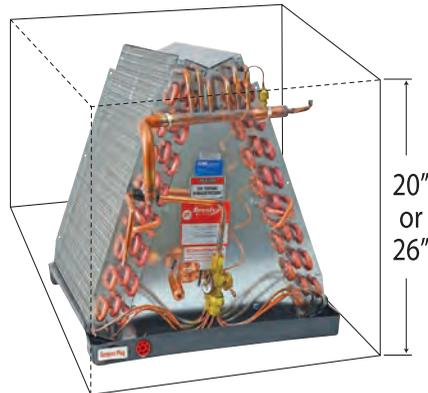
1) Refer to AHRI listings for actual capacities and performance data.

New SKU	Ship L	Ship W	Ship H	Suction Line Ø	Liquid Line Ø	Item L	Item W	Item H	Min. Pad Size
RSCS183	27 ½"	27 ½"	27"	¾"	⅜"	23 ¾"	23 ¾"	24 ½"	24" x 24"
RSCS243	27 ½"	27 ½"	27"	¾"	⅜"	23 ¾"	23 ¾"	24 ½"	24" x 24"
RSCS303	27 ½"	27 ½"	31"	¾"	⅜"	23 ¾"	23 ¾"	28 ½"	24" x 24"
RSCS363	27 ½"	27 ½"	31"	¾" ²	⅜"	23 ¾"	23 ¾"	28 ½"	24" x 24"
RSCS423	35 ½"	35 ½"	31"	⅞"	⅜"	31 ¾"	31 ¾"	28 ½"	32" x 32"
RSCS483	35 ½"	35 ½"	31"	⅞"	⅜"	31 ¾"	31 ¾"	28 ½"	32" x 32"

2) Line set vapor line increases to ⅞" over 24 ft equivalent length.

Tube-in-Fin Indoor (Evaporator) A-Coil Matches - TXV

Nominal Tons ¹	Condenser SKU	Coil SKU	AHRI Cert #	Coil H	Min. Cab. H
1.5	RSCS183	1836S4A	201853341	18"	20"
2	RSCS243	1836S4A	10619408	18"	20"
2.5	RSCS303	1836S4A	10619407	18"	20"
3	RSCS363	1854S4A	10619406	18 ½"	20"
3.5	RSCS423	1854S4A	10619403	18 ½"	20"
4	RSCS483	1847S4A	201841653	22 ½"	26"
4	RSCS483	187848S4A	201974564	19 ½"	20"



Note: A furnace blower upgrade and/or TDR may also be required to achieve the desired output performance.



Indoor Comfort Products Brought To You
By The Manufactured Home Experts!

14 SEER AC Sweat Fit Split Systems

Features and Benefits

New Corner-Post Design with louvered panels that are easily removed for service, while protecting the coils from yard debris and extreme weather.

Improved Composite Drain Pan design has more drainage holes for condensation evacuation and molded stops to prevent coil shifting, all in 1 of 2 standardized footprints.

Corner-post Packaging creates a gap around the entire unit, minimizing pressure on the unit structure and contact with the carton, so your unit arrives safely to the customer.

Dependable Warranty handled directly by Style Crest's HVAC Warranty Team, offering the most competitive warranty coverage and service, in the industry.



Tube-in-Fin Coil



Sweat Fit Line Set



14 SEER AC Sweat Fit Split Systems

Nominal Tons ¹	Old SKU	Old AHRI Model	New SKU	New AHRI Model	Item Wt.	Ship Wt.	Sound
1.5	Not Offered	Not Offered	RSCS184	RSA1BE4M1SN18K	129 lbs	138 lbs	74 dB
2	RS4BE-024K	RS4BE-024KA	RSCS244	RSA1BE4M1SN24K	133 lbs	142 lbs	74 dB
2.5	RS4BE-030K	RS4BE-030KA	RSCS304	RSA1BE4M1SN30K	159 lbs	169 lbs	75 dB
3	RS4BE-036K	RS4BE-036KA	RSCS364	RSA1BE4M1SN36K	176 lbs	188 lbs	79 dB
3.5	RS6BF-042KB	RS6BF-042K	RSCS424	RSA1BE4M1SN42K	195 lbs	220 lbs	79 dB
4	RS6BF-048KB	RS6BF-048K	RSCS484	RSA1BE4M1SN48K	206 lbs	220 lbs	79 dB
5	Not Offered	Not Offered	RSCS604	RSA1BE4M1SN60K	230 lbs	240 lbs	79 dB

1) Refer to AHRI listings for actual capacities and performance data.

New SKU	Ship L	Ship W	Ship H	Suction Line Ø	Liquid Line Ø	Item L	Item W	Item H	Min. Pad Size
RSCS184	27 ½"	27 ½"	31"	¾"	⅜"	23 ¾"	23 ¾"	28 ½"	24" x 24"
RSCS244	27 ½"	27 ½"	35"	¾"	⅜"	23 ¾"	23 ¾"	32 ½"	24" x 24"
RSCS304	35 ½"	35 ½"	31"	¾"	⅜"	31 ¾"	31 ¾"	28 ½"	32" x 32"
RSCS364	35 ½"	35 ½"	39"	¾" ²	⅜"	31 ¾"	31 ¾"	37 ¼"	32" x 32"
RSCS424	35 ½"	35 ½"	43"	7/8"	⅜"	31 ¾"	31 ¾"	41 ¼"	32" x 32"
RSCS484	35 ½"	35 ½"	43"	7/8"	⅜"	31 ¾"	31 ¾"	41 ¼"	32" x 32"
RSCS604	35 ½"	35 ½"	47"	7/8" ³	⅜"	31 ¾"	31 ¾"	45 ¼"	32" x 32"

2) Line set vapor line increases to ⅝" over 24 ft equivalent length.

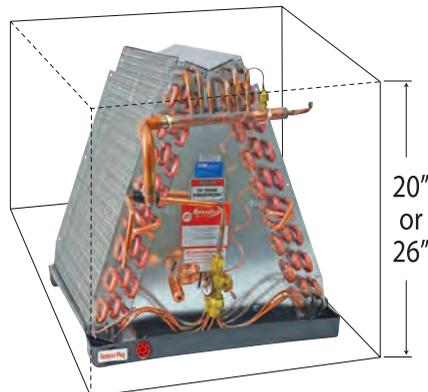
3) Line set vapor line increases to 1 ⅝" over 24 ft equivalent length.

Tube-in-Fin Indoor (Evaporator) A-Coil Matches - TXV

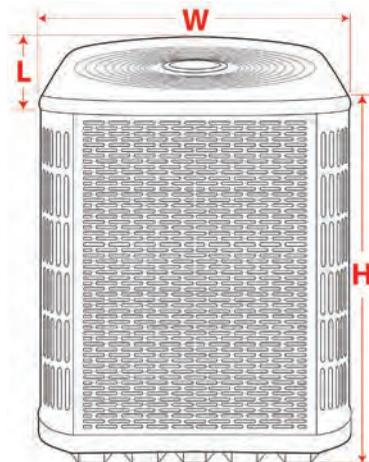
Nominal Tons ¹	Condenser SKU	Coil SKU	AHRI Cert #	Coil H	Min. Cab. H
1.5	RSCS184	1836S4A	201853340	18"	20"
2	RSCS244	1836S4A	10619416	18"	20"
2.5	RSCS304	1836S4A	10619415	18"	20"
3	RSCS364	1854S4A	10619414	18 ½"	20"
3.5	RSCS424	1854S4A	10619411	18 ½"	20"
4	RSCS484	1847S4A	201841640	22 ½"	26"
4	RSCS484	187848S4A	201974568	19 ½"	20"
5	RSCS604	1847S4A	202085608	22 ½"	26"



Accessory Kit



20"
or
26"



Note: A furnace blower upgrade and/or TDR may also be required to achieve the desired output performance.



Indoor Comfort Products Brought To You
By The Manufactured Home Experts!

14 SEER HP Sweat Fit Split Systems

Features and Benefits

New Corner-Post Design with louvered panels that are easily removed for service, while protecting the coils from yard debris and extreme weather.

Improved Composite Drain Pan design has more drainage holes for condensation evacuation and molded stops to prevent coil shifting, all in 1 of 2 standardized footprints.

Corner-post Packaging creates a gap around the entire unit, minimizing pressure on the unit structure and contact with the carton, so your unit arrives safely to the customer.

Dependable Warranty handled directly by Style Crest's HVAC Warranty Team, offering the most competitive warranty coverage and service, in the industry.



Micro-Channel Sweat Fit Coil



Sweat Fit Line Set

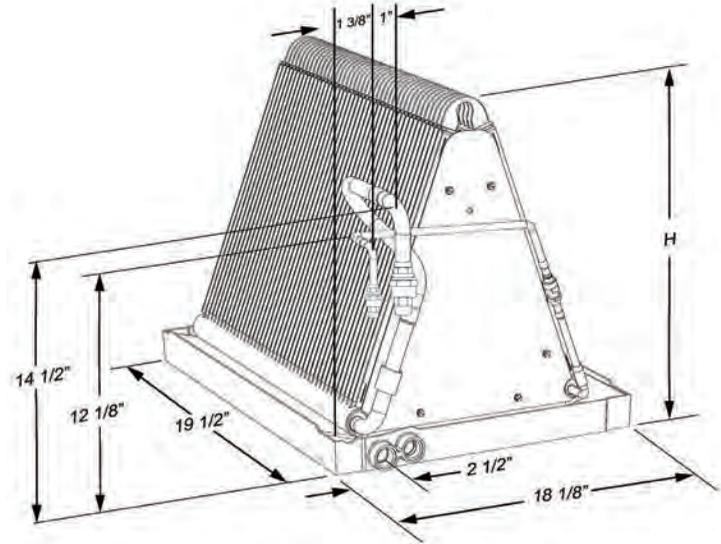
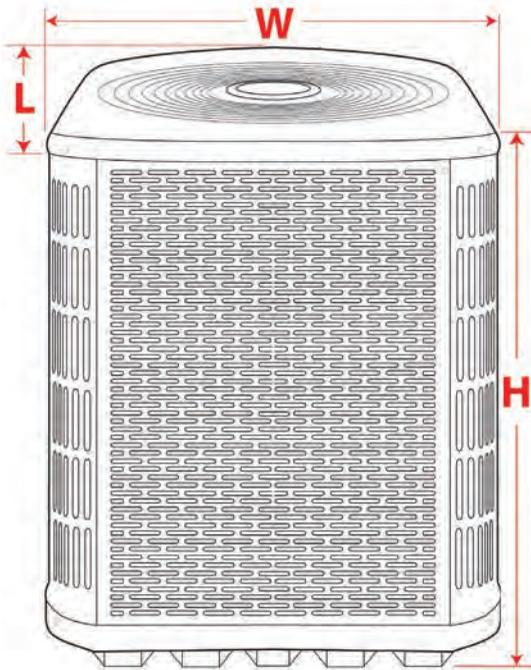


14 SEER HP Sweat Fit Split Systems

Nominal Tons ¹	Old SKU	Old AHRI Model	New SKU	New AHRI Model	Item Wt.	Ship Wt.	Sound
2	RT4BE-024KA	RT4BE-024KA	RSHS244	RSH1BE4M1SP24K	168 lbs	175 lbs	75 dB
2.5	RT4BE-030KA	RT4BE-030KA	RSHS304	RSH1BE4M1SP30K	189 lbs	195 lbs	75 dB
3	RT4BE-036KA	RT4BE-036KA	RSHS364	RSH1BE4M1SP36K	198 lbs	205 lbs	76 dB
3.5	RT4BE-042KA	RT4BE-042KA	RSHS424	RSH1BE4M1SP42K	234 lbs	240 bs	79 dB
4	RT4BE-048KA	RT4BE-048KA	RSHS484	RSH1BE4M1SP48K	234 lbs	24 lbs	79 dB

1) Refer to AHRI listings for actual capacities and performance data.

New SKU	Ship L	Ship W	Ship H	Suction Line Ø	Liquid Line Ø	Item L	Item W	Item H	Min. Pad Size
RSHS244	35 1/2"	35 1/2"	35"	3/4"	3/8"	31 3/4"	31 3/4"	32 1/2"	32" x 32"
RSHS304	35 1/2"	35 1/2"	43"	3/4"	3/8"	31 3/4"	31 3/4"	41 1/4"	32" x 32"
RSHS364	35 1/2"	35 1/2"	47"	7/8"	3/8"	31 3/4"	31 3/4"	45 1/4"	32" x 32"
RSHS424	35 1/2"	35 1/2"	47"	7/8"	3/8"	31 3/4"	31 3/4"	45 1/4"	32" x 32"
RSHS484	35 1/2"	35 1/2"	47"	7/8"	3/8"	31 3/4"	31 3/4"	45 1/4"	32" x 32"



Micro-Channel Indoor (Evaporator) A-Coil Matches - TXV

Nominal Tons ¹	Condenser SKU	Coil SKU	AHRI Cert #	Coil H	Min. Cab.H
2	RSHS244	C8DAMX24U-B	10615825	18"	20"
2.5	RSHS304	C8DAMX30U-B	10615830	18"	20"
3	RSHS364	C8DAMX36U-B	10615833	18"	20"
3.5	RSHS424	C8DAMX42U-B	10615837	25"	26"
4	RSHS484	C8DAMX49U-B	10615838	29"	31"

Note: A furnace blower upgrade and/or TDR may also be required to achieve the desired output performance.

AccuCharge® Line Sets

Line Set SKU	Line Length	Liquid Line Ø	Suction Line Ø	Suction Insulation
6463S2041	20 ft	3/8"	3/4"	3/8"
6463S2541	25 ft	3/8"	3/4"	3/8"
6463S3041	30 ft	3/8"	3/4"	3/8"
6463S5041	50 ft	3/8"	3/4"	3/8"
6473S2041	20 ft	3/8"	7/8"	3/8"
6473S2541	25 ft	3/8"	7/8"	3/8"
6473S3041	30 ft	3/8"	7/8"	3/8"
6473S5041	50 ft	3/8"	7/8"	3/8"



Sweat Fit Line Set

Split System Accessories

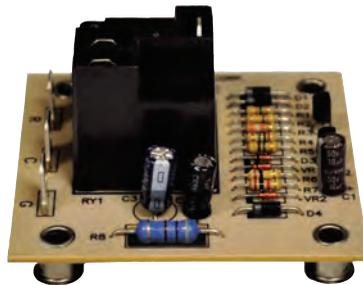
Mild Weather Kit



921956 Mild Weather Kit
(heat pump operation)

Fan Time Delay Kit (TDR)

Required with Some Applications



6918.5011 Fan Delay Kit (TDR)
18 Second Delay

Start Assist Kit

Provides added starting torque for compressor when low line voltage or high operating temperature



912933 Universal Hard-Start Assist

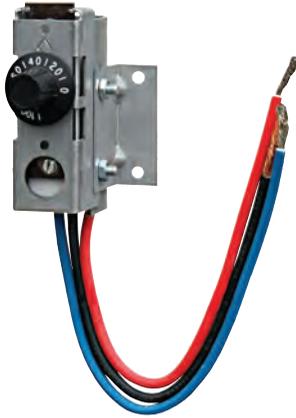
Split System Accessories

Condenser Mounting Kit



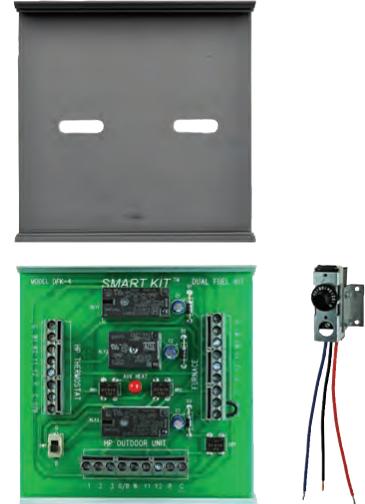
1010032 Standard Condenser Hold-down/Mounting Kit

Heat Pump Changeover Thermostat



913852 Variable Outdoor Thermostat HP, Temp-sensor

Dual Fuel Kit



13010004 Dual Fuel Kit for Gas Furnace-HP operation

Heat Pump Riser



110006 Riser, Heat Pumps, 6", Pad-mount, 1pc

Condenser Foundation Brackets



110236 Mounting Brackets, AC/HP, 36" D, Sm Footprint, 2pcs

110242 Mounting Brackets, AC/HP, 42" D, Lrg Footprint, 2pcs



Indoor Comfort Products Brought To You
By The Manufactured Home Experts!

Tube-in-Fin MH Indoor A-Coils (R-410A)

Revolv® MH Indoor (Evaporator) A-Coils are designed exclusively to fit in most new/existing Manufactured Home furnace applications, making them an ideal aftermarket component to complete a home-comfort system.

Features and Benefits

Most Compatible line of Manufactured Housing A-Coils in the industry; already matched with many popular condenser brands and models, including heat pumps. (Consult the AHRI Certified Product Directory

for the latest system combinations)

Factory-Installed TXV and Sensor Bulb for quicker installation, suitable for AC & HP applications.

Coil Accessory Kit includes drain hose and fittings to avoid return trips to the service truck and supply house for field-supplied parts.

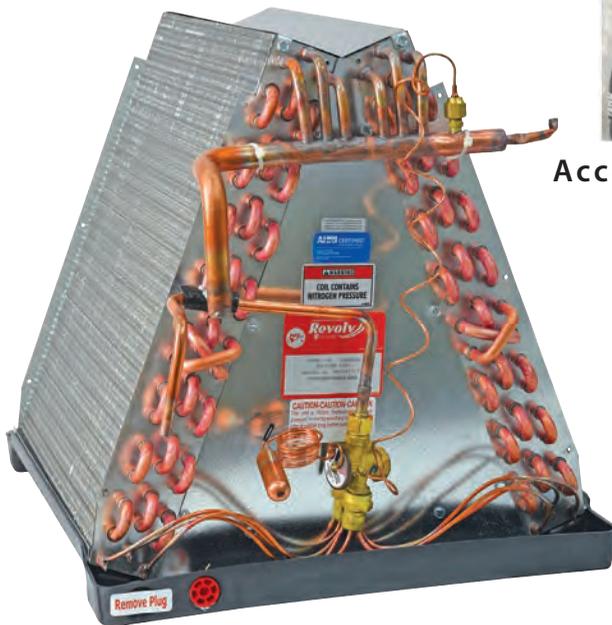
Code-Compliant Drain Pan with a 2-opening, dry-type design to prevent standing water that can cause adverse air quality and health effects. A metal drain pan is also available to special order, recommended for oil upflow applications.

UL® Listed and Leak Tested to 500 psig, for leaks and construction-safety, giving the homeowner peace of mind.

Built-In Strainer for longer component and system service-life.



Accessory Kit



Sweat Fit Coil

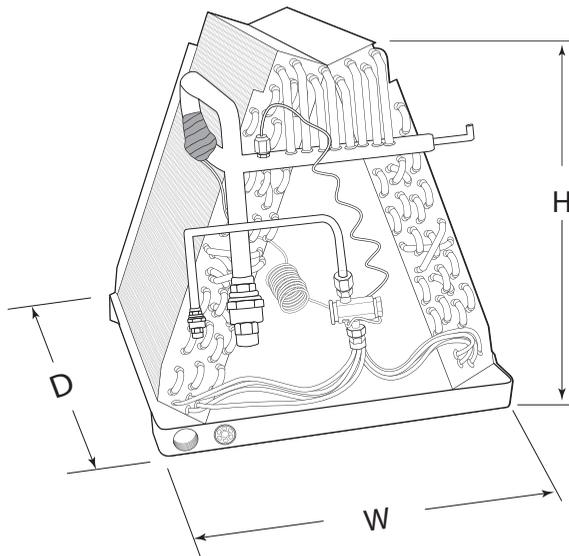


AccuCharge® Coil

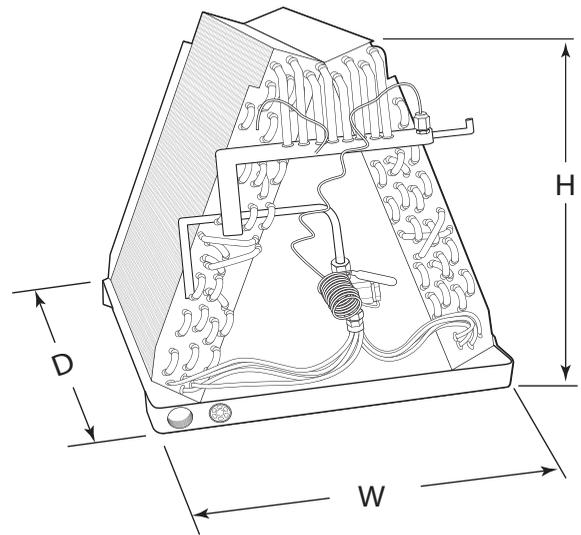
Tube-in-Fin MH Indoor A-Coils (R-410A)

Sweat Fit Coil SKU	AccuCharge® Coil SKU	Coil Rows Count ¹	Face Area	Item L	Item W	Item H
1829S4A		4	4.00 ft ²	19 5/8"	18"	18 1/2"
1830S4A		3	3.11 ft ²	19 5/8"	18"	14"
1836S4A	1836M4A	3	4.00 ft ²	19 5/8"	18"	18"
1837S4A		4	4.86 ft ²	20 1/2"	18"	20"
1844S4A		4	4.00 ft ²	19 5/8"	18"	18 1/2"
1845S4A		3	5.83 ft ²	20 1/2"	18"	24"
1847S4A	1847M4A	4	4.89 ft ²	19 5/8"	18"	22 1/2"
1851S4A		4	4.83 ft ²	21"	18"	19"
1854S4A	1854M4A	4	4.00 ft ²	19 5/8"	18"	18 1/2"
1855S4A		4	4.44 ft ²	19 5/8"	18"	20 1/2"
1856S4A		4	5.33 ft ²	19 5/8"	18"	24 1/2"
187848S4A	187848M4A	4	4.54 ft ²	19 5/8"	18"	19 1/2"

1) Revolv AccuCharge TIF coils are designed to match with Revolv AccuCharge (quick-connect) Condensers and Line Sets, which drastically reduce installation time



AccuCharge® Coil



Sweat Fit Coil

R-410A Indoor (Evaporator) A-coil Accessories

Thermal Expansion Valve Kits



18R72DB0003 Thermal Expansion Valve, 1.5-3 Ton

18R72DB0004 Thermal Expansion Valve, 2.5-5Ton



Revolv® Coil Drain Pan



1899911101 Tube-in-Fin Drain Pan, 19 5/8"D



Indoor Comfort Products Brought To You
By The Manufactured Home Experts!

Service Coils

Features and Benefits

Revolv® Service Coils are designed to exclusively replace the indoor A-coil (component) of existing Manufactured Housing air conditioning or heat pump split systems.

Factory-Installed Piston metering device for quick installation. (Refer to condenser manufacturer for appropriate metering-device and sizing.)

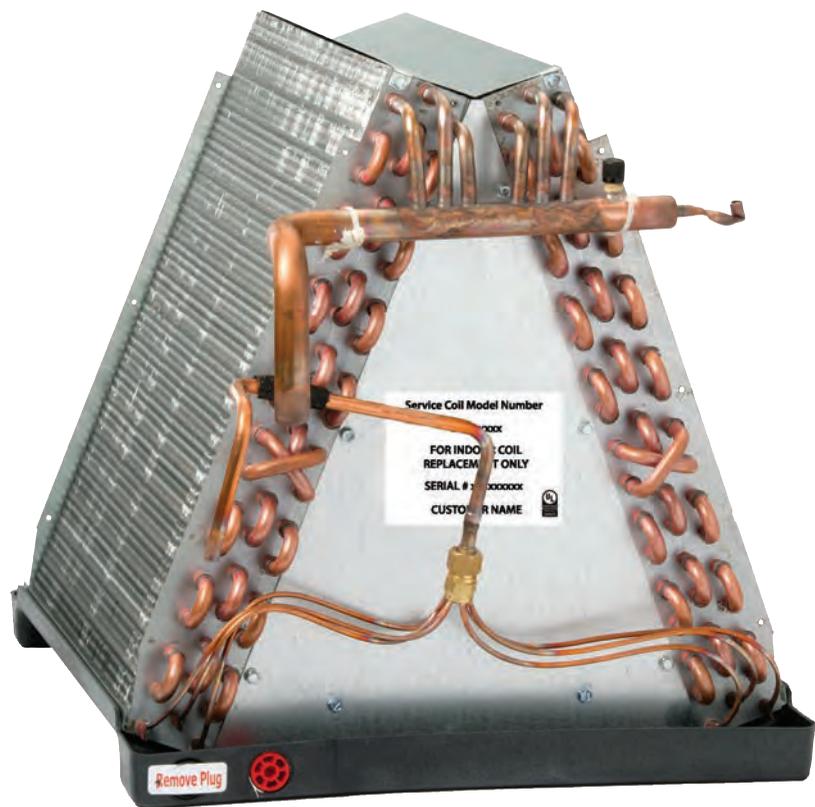
Three coil configurations are available to fit a variety of existing applications, which typically meet or exceed original-coil performance when properly selected.

Change just the coil (component) so you don't need to change an entire system.

Nitrogen charged from factory to maintain coil integrity and prevent system contamination.



Accessory Kit



Service coils are exclusively for replacement of a similar A-coil, ALREADY in service. They CANNOT be installed in a new air handler and/or with a new condenser, which constitutes a SYSTEM replacement and must meet current efficiency standards.

Service Coils

Service Coil SKU	Coil Rows Count	Face Area	Piston Size	Item D	Item W	Item H
MHSC200T	3	3.11 ft ²	061	19 5/8"	18"	14"
MHSC300T	3	4.00 ft ²	068	19 5/8"	18"	18"
MHSC400T	4	4.00 ft ²	073	19 5/8"	18"	18 1/2"

Choosing Your New Service Coil

1

Measure the height of the coil being replaced—choose the service coil with the nearest height to the coil you are replacing.

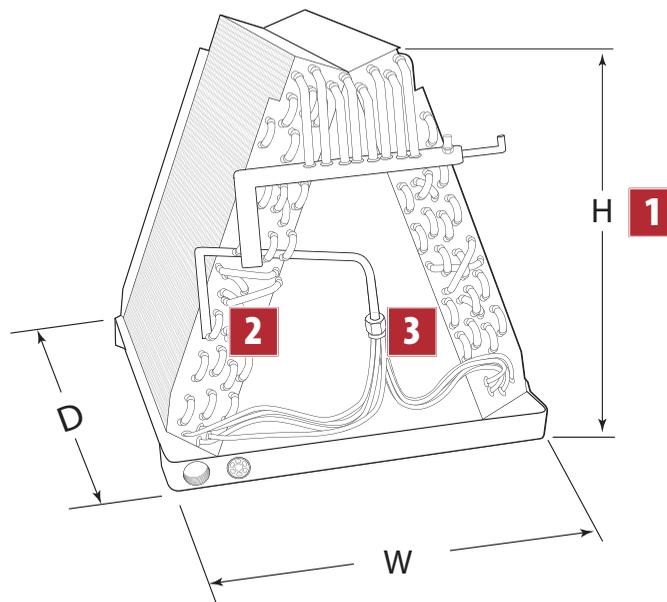
NOTE: Be certain the new coil has at least the same face area as the original coil.

2

Count the number of rows of tubes along one side of the A-coil (normally 2-4 rows). Choose the service coil with the same number of rows as the coil being replaced.

3

Use the correct metering device as described in the condenser manufacturer's specifications or installation instructions. You should be able to remove and reuse the metering device used with the old A-coil and install it on the new service coil. Each service coil is shipped with a piston common for many applications.



Manufactured Housing HVAC Accessories

**Cool-Only
No-Changeover
Thermostat**



111001 Thermostat Cool-Only

**Heat-Only
No-Changeover
Thermostat**



111002 Thermostat Heat-Only

**1Ht-1Cl, MCO-Manual
Changeover Thermostat**



111003 Thermostat-Heat/Cool 5-Wire

**1Ht-1Cl MCO 4-Wire/24V
Thermostat**



02538747000 Thermostat-Heating/
Cooling 4-Wire Pigtail

**2Ht-1Cl MCO Digital
Programmable
Thermostat**



111004 Thermostat-Digital
Programmable Heat Pump

**2Ht-1Cl MCO Digital
Non-Programmable
Thermostat**



111005 Thermostat-Digital
Non-Programmable Heat Pump

**1Ht-1Cl MCO Digital
Programmable
Thermostat**



111006 Thermostat-Digital
Programmable

**1Ht-1Cl MCO Digital
Non-Programmable
Thermostat**



111007 Thermostat-Digital
Non-Programmable

**2Ht-1Cl MCO/ACO
Digital Touch
Thermostat**



111010 Thermostat-Digital
Multifunction, Dual Fuel Capable

Retrofit Application Accessories

Replacement Coil Box

Uses standard 1"D x 20"W x 24"H filter



13010001 Coil Box E2-E4-KD, 24 3/4"D x 20"W x 25"H

Louvered Grille

For Coil Cabinet 13010001



13010002 Coil Grille E2-E4-KD, 20"W x 23"H

ECM Blower Kit for AHRI Matches

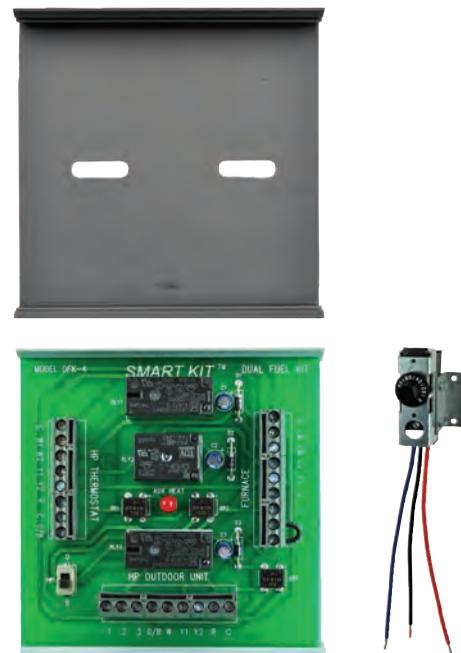
(Items sold separately)



- 08250002** ECM Blower Kit, Nortek (for AHRI matches)
- 08250003** ECM Blower Kit, EB Series (for AHRI matches)
- 08250004** Wiring Harness, ECM Blower Kit, Nortek

Dual Fuel Kit

(Prevents simultaneous heating heating operations)



13010004 Dual Fuel Kit , Furnace & HP operation w/ OD T'stat



Indoor Comfort Products Brought To You
By The Manufactured Home Experts!

14 SEER Packaged Units – ACs & HPs

Features and Benefits

Aluminum Micro-Channel Coils on both indoor and outdoor sides are designed to optimize heat transfer, minimize size & cost, reduce refrigerant volume, and resist formicary corrosion - increasing service-life expectancy.

High-Static Blower utilizes a high-efficiency, 5-speed, fixed-torque, brushless DC ECM.

Compact Footprint and Profile make the them easy to install and transport, fitting into some of the most aggressive lot lines.

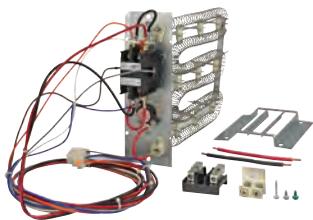
Convenient Service Access to all control components, compressor, evaporator coil, and indoor blower with perimeter high and low service ports.

Optional Electric Heaters from 5-15kW can be field-installed in ACs or HPs.

Filter Drier factory installed on the liquid line to prevent compressor damage. (Bi-flow on HPs)

Industry-First Patented Hot Gas Defrost ensures quick, complete, worry-free defrost during the heat pump heating cycle to prevent system damage.

Bi-metallic Outdoor Thermostat comes standard with every heat pump.



Electric Heater Kit

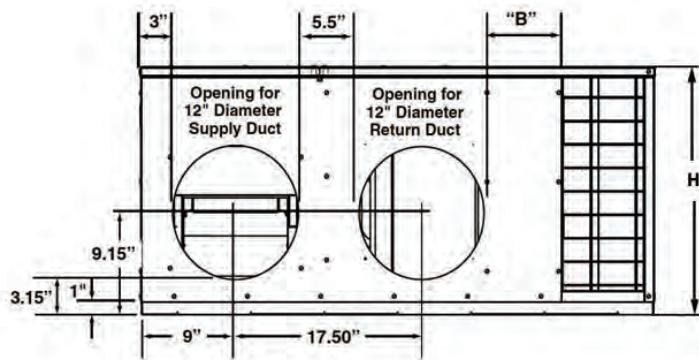
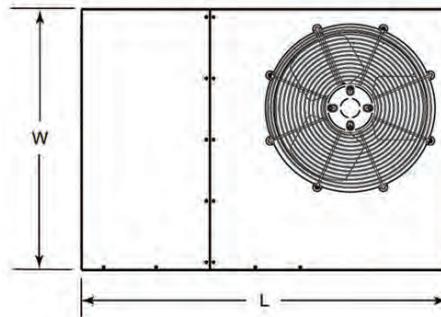


14 SEER Packaged Unit Specifications

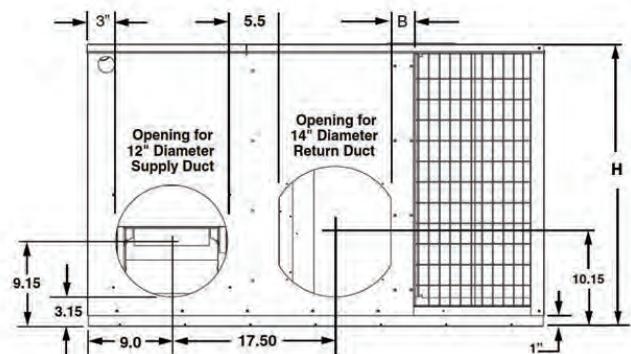
Packaged Air Conditioners										
Tons Nominal	Unit SKU	AHRI Model #	Item L	Item W	Item H	Cooling Btuh	MCA	MOCP	Net Wt.	Ship Wt.
1.5	RPC1418	RP7RE-018K	49"	35"	22.2"	17800	13.2	20 A	226 lbs	238 lbs
2	RPC1424	RP7RE-024K	49"	35"	22.2"	23800	15.2	20 A	230 lbs	242 lbs
2.5	RPC1430	RP7RE-030K	49"	35"	22.2"	28400	17.2	25 A	236 lbs	248 lbs
3	RPC1436	RP7RE-036K	49"	35"	22.2"	35000	25.7	40 A	230 lbs	242 lbs
3.5	RPC1442	RP7RE-042K	49"	35"	30.2"	40500	29.3	45 A	283 lbs	297 lbs
4	RPC1448	RP7RE-048K	49"	35"	30.2"	47000	34.2	50 A	286 lbs	300 lbs
5	RPC1460	RP7RE-X60K	49"	35"	34.2"	56000	38.9	60 A	309 lbs	325 lbs

Packaged Heat Pumps											
Tons Nominal	Unit SKU	AHRI Model #	Item L	Item W	Item H	Cooling Btuh	Heating Btuh	MCA	MOCP	Net Wt.	Ship Wt.
2	RPH1424	RQ7RE-024K	49"	35"	30.2"	21800	21800	15.3	20 A	263 lbs	277 lbs
2.5	RPH1430	RQ7RE-030K	49"	35"	30.2"	27400	27400	17.3	25 A	267 lbs	282 lbs
3	RPH1436	RQ7RE-036K	49"	35"	30.2"	34600	34600	28.2	45 A	263 lbs	277 lbs
3.5	RPH1442	RP7RE-042K	49"	35"	30.2"	39000	39000	31.9	50 A	274 lbs	288 lbs
4	RPH1448	RQ7RE-048K	63"	35"	38.2"	48000	48000	37.3	60 A	330 lbs	346 lbs
5	RPH1460	RQ7RE-060K	63"	35"	38.2"	56000	56000	42.2	60 A	359 lbs	375 lbs

Top View



(2, 2.5, & 3 ton)

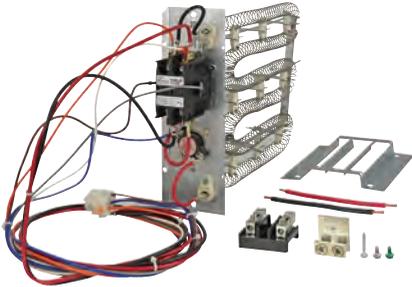


(3.5, 4, & 5 ton)

Back (Duct) View

Packaged Unit Accessories

Electric Heat Strips



- H3HK005H-01C** Heater Kit, 5kW, 240/1/60
- H3HK010H-01C** Heater Kit, 10kW, 240/1/60
- H3HK015H-01C** Heater Kit, 15kW, 240/1/60

Single Circuit Adapter Jumper-Busbar



- 3500.378P** 4-Pole Single Circuit Adapter (less than 3 breakers)

Circuit Breaker



- 913554** Circuit Breaker, 1-Phase, 2-Pole, 60 A

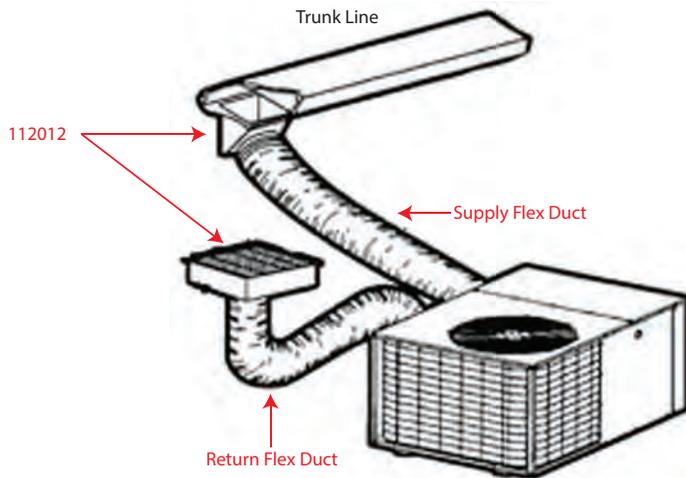
Duct Collars



- 294941** 12"Ø Duct Collar (Sold Separately)
- 294942** 14"Ø Duct Collar (Sold Separately)

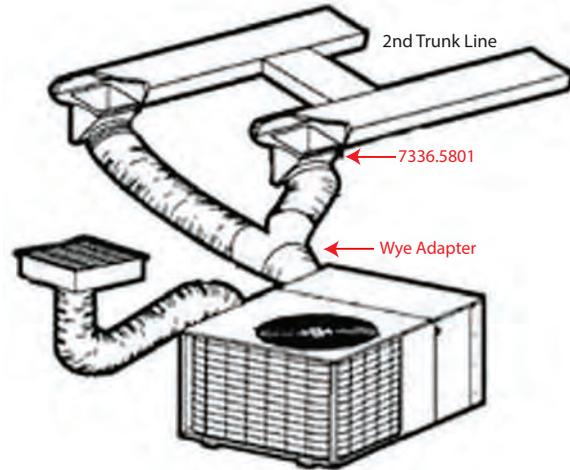
Packaged System Accessories

Single Wide Components For Self-contained ACs & HPs (Typical)



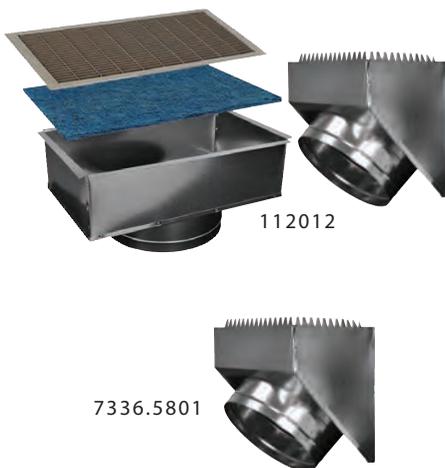
- 112012** Accessory Kit:
12" x 20" Return Air Box & Grille
Washable Return Air Filter
12"Ø Supply Fitting w/Damper

Double Wide Components For Self-contained ACs & HPs (Typical)



- 112012** Accessory Kit (See Single Wide for Included Items)
7336.5801 Tabbed Duct Connector, w/ Damper, 12"Ø
See Pg 29 Metal Wye Adapter

Supply-Return Kits



- 112012** Kit, Ret Air Box w/ Filter & 1-Trunk Connector, PUs
7336.5801 Duct Connector w/ Damper, 12"Ø

Return Air Box w/Grille



- 115012** 12" Ø Return Air Box with Grille and Filter
115014 14" Ø Return Air Box with Grille and Filter
111220BRN Grille-Only for Return Air Box

Flex Duct



- 1101025** 10" x 25 ft Flex Duct R-4.2
1101225 12" x 25 ft Flex Duct R-4.2
1101425 14" x 25 ft Flex Duct R-4.2
1161025 10" x 25 ft Flex Duct R-6
1161225 12" x 25 ft Flex Duct R-6
1161425 14" x 25 ft Flex Duct R-6
1181225 12" x 25 ft Flex Duct R-8 (Code)
1181425 14" x 25 ft Flex Duct R-8 (Code)

Packaged Unit Accessories

Metal Wye Adapters



11121010 12"Ø x 2-10"Ø

11121212 12"Ø x 2-12"Ø

111412 14"Ø x 2-12"Ø

11141414 14"Ø x 2-14"Ø

Round Duct Transitions



1112108 Reducer/Increaser 12"Ø-10"Ø

1114128 Reducer/Increaser 14"Ø-12"Ø

Duct Collars



110010 10"Ø Duct Collar w/ Tabs

110120 12"Ø Duct Collar w/ Tabs

110140 14"Ø Duct Collar w/ Tabs

Nylon Drawbands



110225 Drawband 36" Length
(50/Package)

110248 Drawband 48" Length
(50/Package)

Plastic Pipe Strap



1113038 Plastic, ¾" x 100 ft Roll,
0.05" Thickness

Metal Pipe Strap



116507 Galvanized ¾" x 100 ft Roll,
28 Gauge

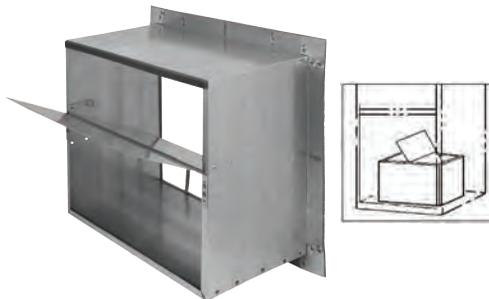
Flex Duct Fabric Strap



6014932 Woven Polypropylene Fabric,
1 ¾" x 300 ft

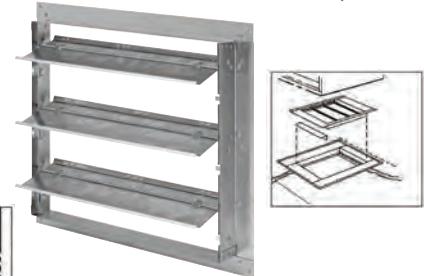
Furnace Backflow Dampers

901083 Damper
Used With Coil Cavity



901083 Backflow Damper, Furnace
(Gas/Oil), 1-Blade
(for empty coil box)

902095 Damper
Used Without Coil Cavity



902095 Backflow Damper, Furnace
(Gas/Oil), 3-Blade
(low profile/no coil box)



Indoor Comfort Products Brought To You
By The Manufactured Home Experts!

RE9 100% AFUE Electric Furnaces

The RE9 Series electric furnaces are the most advanced electric furnace, uniquely designed for Manufactured Housing, while still adhering to the industry-standard furnace footprint. The larger coil box gives you the peace of mind that you will have enough space to upgrade or add a split system without needing to replace or overhaul your furnace too.

Features and Benefits

RE9D & RE9U Models include a factory-installed coil box eliminating much of the additional field work inherent with competitive models, designed to maximize performance in Up/Downflow applications.

RE9X Models are an ideal inventory option, since they do *not* include a factory-installed coil box, allowing for the (field-configurable) application flexibility needed in today's replacement market.

AC-Ready 4-Ton Blower factory-installed to support a central air conditioning or heat pump system. Blower Upgrades allow you to utilize the furnace to its greatest potential with an optional constant torque ECM or 5-Ton PSC blower to suit your application.

Large Coil Box accommodates the highest-efficiency and largest-capacity coils in the Manufactured Home market, today and for years to come.

Auto-Reset Controls and internal circuit breakers protect electronics, ensuring worry-free comfort.

Dependable Warranty handled directly by Style Crest's HVAC Warranty Team, offering the most competitive warranty coverage and service, in the industry.

HUD Code Compliant - the set of federal standards to which the majority of all Manufactured Homes are still designed and built.



RE9 Electric Furnaces

Unit SKU	Cabinet Configuration
RE9D10C4	Downflow, 31 1/2"H Coil Box
RE9D12C4	Downflow, 31 1/2"H Coil Box
RE9D15C4	Downflow, 31 1/2"H Coil Box
RE9D17C4	Downflow, 31 1/2"H Coil Box
RE9D20C4	Downflow, 31 1/2"H Coil Box
RE9D23C4	Downflow, 31 1/2"H Coil Box

Unit SKU	Cabinet Configuration
RE9U10C4	Upflow, 31 1/2"H Coil Box
RE9U12C4	Upflow, 31 1/2"H Coil Box
RE9U15C4	Upflow, 31 1/2"H Coil Box
RE9U17C4	Upflow, 31 1/2"H Coil Box
RE9U20C4	Upflow, 31 1/2"H Coil Box
RE9U23C4	Upflow, 31 1/2"H Coil Box

Unit SKU	Cabinet Configuration
RE9X10N4	Up/Downflow, No Coil Box
RE9X12N4	Up/Downflow, No Coil Box
RE9X15N4	Up/Downflow, No Coil Box
RE9X17N4	Up/Downflow, No Coil Box
RE9X20N4	Up/Downflow, No Coil Box
RE9X23N4	Up/Downflow, No Coil Box

Electrical Specifications				
Furnace SKU	Supply Circuit	Total Amperes	MCA	MOCP
RE9D/U10C4	Single	44.6	56	60 A
RE9D/U12C4	Single	51.2	64	70 A
	Dual "A"	27.1	34	40 A
RE9D/U15C4	Dual "B"	24.2	30	30 A
	Single	65.4	82	90 A
	Dual "A"	44.6	56	60 A
RE9D/U17C4	Dual "B"	20.8	26	30 A
	Single	70.4	88	90 A
	Dual "A"	47.9	60	60 A
RE9D/U20C4	Dual "B"	22.5	28	30 A
	Single	86.2	108	125 A
	Dual "A"	44.6	56	60 A
RE9D/U23C4	Dual "B"	41.7	52	60 A
	Single	93.8	117	125 A
	Dual "A"	45.5	57	60 A
	Dual "B"	48.0	60	60 A

Airflow Data									
Fan Speed		High		Med. High		Med. Low		Low	
		4 Ton	No Coil	3.5 Ton	No Coil	3 Ton	No Coil	2.5 Ton	No Coil
Static (ESP) in W.C.	0.1	1559	1503	1389	1362	1227	1203	923	885
	0.2	1506	1458	1352	1330	1208	1174	906	863
	0.3	1460	1414	1310	1291	1170	1146	880	831
	0.4	1401	1352	1260	1241	1136	1103	845	798
	0.5	1333	1282	1198	1179	1086	1055	805	758
	0.6	1251	1208	1133	1113	1027	996	757	707

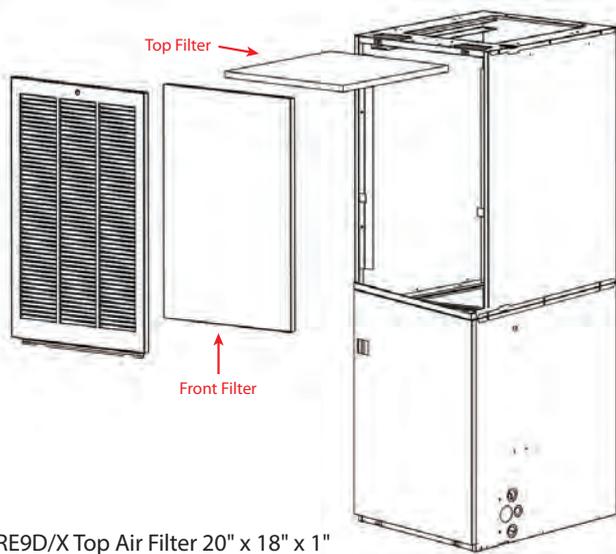
Optional Accessories (Field-Installed)	
Part Number	Description
902985	5-Ton PSC Blower Upgrade
1007729	ECM Blower Kit, up to 4-Ton
1014501	Upflow Stand With Door
281241	Upflow Stand Replacement Door
902990	Upflow Duct Connector
913874	Jumper-Busbar, 4-Pole, 1ct Adapter

RE9 Performance Data				
Furnace Model	Total Power	Heater Banks	Heating Output	Heating Output ¹
RE9*10*4	10.4 kW	2	10 kW	35 MBH
RE9*12*4	12.0 kW	2	11.6 kW	41 MBH
RE9*15*4	15.4 kW	3	15 kW	53 MBH
RE9*17*4	16.6 kW	3	16.2 kW	57 MBH
RE9*20*4	20.4 kW	4	20 kW	70 MBH
RE9*23*4	22.0 kW	4	21.6 kW	75 MBH

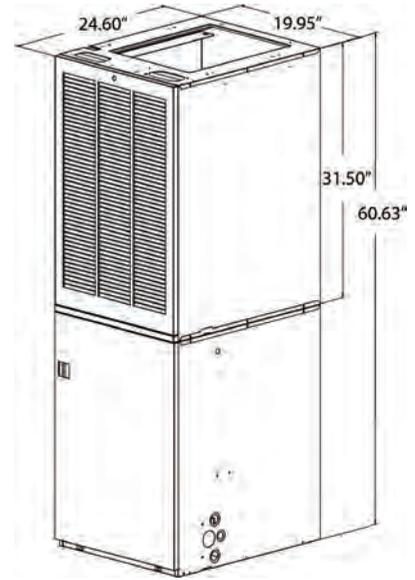
RE9X-Only Optional Accessories (Field-Installed)	
Part Number	Description
902989	Top Grille-Frame (Not Included w/Unit)
903891	Alcove Replacement Downflow Coil Cabinet (Front Return)
1006730	Upflow/Downflow Coil Cabinet w/ Solid Door
1006731	Upflow/Downflow Coil Cabinet w/ Louvered Door (Front Return)

1) Heating output rated a listed voltage. On High fan speed, tested at 0.3" wc ESP.
For outputs at voltages other than 240V, multiply the BTUH rating by the following factors: x 0.92 (230V), x 0.84 (220V), and x 0.75 (208V)

RE9 Electric Furnace Accessories



RE9D/X Top Air Filter 20" x 18" x 1"
RE9D Front Air Filter 30" x 18" x 1"



ECM Blower Upgrade

≤ 4-Ton, X13-Style



1007729 ECM Blower Upgrade Kit

5-Ton Blower Upgrade



902985 PSC Blower Upgrade Kit,
5-Ton, 4-Speed

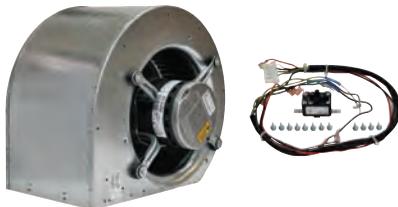
Upflow Stand With Door



1014501 Upflow Stand With Door

ECM Blower Kit for AHRI Matches

(Items sold separately)



- 08250002** ECM Blower Kit, Nortek
- 08250003** ECM Blower Kit, EB Series
- 08250004** Wiring Harness, ECM Blower Kit, Nortek

Upflow Duct Connector



902990 Upflow Duct Connector

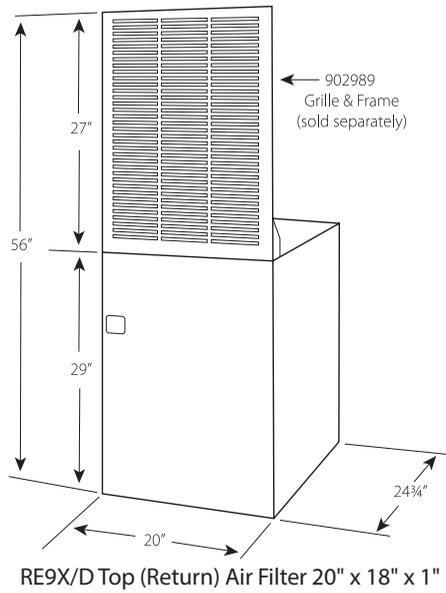
Replacement Upflow Door

(Included with 1014501)



281241 Replacement Door-Only

RE9X Electric Furnace Accessories



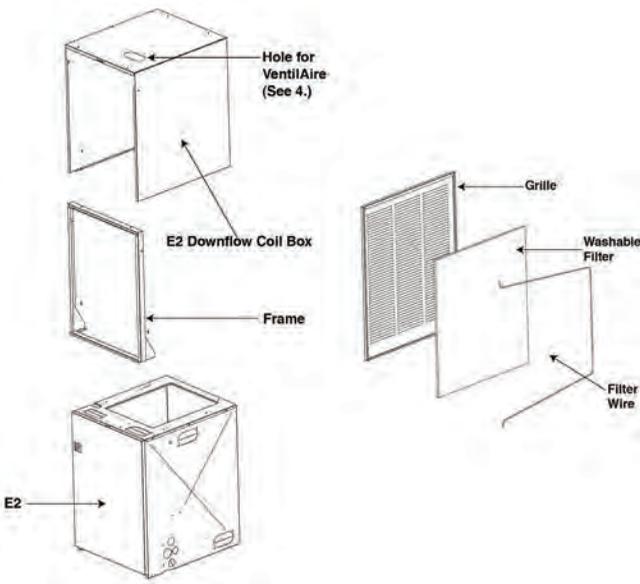
Top Grille & Frame



902989 27"H Top Grille & Frame (Alcove Coil)

Replacement Coil Box

Downflow Alcove Applications



903891 Alcove Replacement Coil Box, Downflow (Use #902989 for grille-door)

Standard Coil Boxes

31.5" Height



1006730



1006731

1006730 Upflow/Downflow Coil Box w/ Solid Door, 31.5"H

1006731 Upflow/Downflow Coil Box w/ Louvered Door, 31.5"H (Front Return)



Indoor Comfort Products Brought To You
By The Manufactured Home Experts!

RG7 95% AFUE Single-Stage Gas Furnaces

The most cost-effective high-efficiency downflow gas furnace uniquely designed for Manufactured Housing, still adhering to the industry-standard furnace footprint. This furnace carries CSA certification in the United States and Canada to comply with most any installation specifications, construction-safety, and local codes.

Features and Benefits

Category IV Venting Approval allows for vertical or horizontal direct venting using a two-pipe system for application flexibility. Lower exhaust temperatures allow materials such as 2" or 3" PVC to be used.

Dual Heat Exchangers consisting of a heavy-gauge, aluminized-steel primary and stainless steel secondary, assure a long life.

Easily Convert to LP in just minutes, with the included liquid propane orifices.

Factory-installed Coil Box Models eliminate additional field work, and are exclusively designed to maximize performance in downflow applications.

Furnace-only Models are an ideal stocking option to streamline inventory, but still provide field-configurable application flexibility needed in today's replacement market.

Dependable Warranty handled directly by Style Crest's HVAC Warranty Team, offering the most competitive warranty coverage and service, in the industry.

HUD Code Compliant - the set of federal standards to which the majority of all Manufactured Homes are still designed and built.



Coil Box

911969A (20") or 922594 (26")

Without Coil Box (N)



With Coil Box (C)



RG7 95% AFUE Gas Furnaces

Furnace SKU	AHRI Cert #	Coil Box Included? ¹	Input	Output	AC Blower	Ship Wt.
RG7D45N4	8862048	No, Optional ¹	45 MBH	42.75 MBH	4-Tons	150 lbs
RG7D60N4	8862049	No, Optional ¹	60 MBH	57 MBH	4-Tons	150 lbs
RG7D72N4	8862050	No, Optional ¹	72 MBH	68.4 MBH	4-Tons	155 lbs
RG7D45C4	8862051	Yes, 20" H Coil Box	45 MBH	42.75 MBH	4-Tons	170 lbs
RG7D60C4	8862053	Yes, 20" H Coil Box	60 MBH	57 MBH	4-Tons	170 lbs
RG7D72C4	8862054	Yes, 20" H Coil Box	72 MBH	68.4 MBH	4-Tons	175 lbs

1) For cooling and heat pump applications, add coil box 911969A (20") or 922594 (26")

Accessories ²	
Part Number	Plenum/Connectors
911969A	Coil Box (20" Height)
922594	Coil Box (26" Height)
904952	Concentric Vent Kit, 2", RG7
904953	Concentric Vent Kit, 3", RG7
904106	Vent Transition Kit
904953	Concentric Vent Termination Kit (for horizontal and vertical venting)

2) See pages 41 for additional details and system accessories.

Maximum Direct Vent, Dual-pipe Length (feet)		
Input (Btuh)	Inlet & Outlet - 3" Ø	Inlet & Outlet - 2" Ø
45,000	60 ft	30 ft
60,000	60 ft	30 ft
72,000	60 ft	30 ft

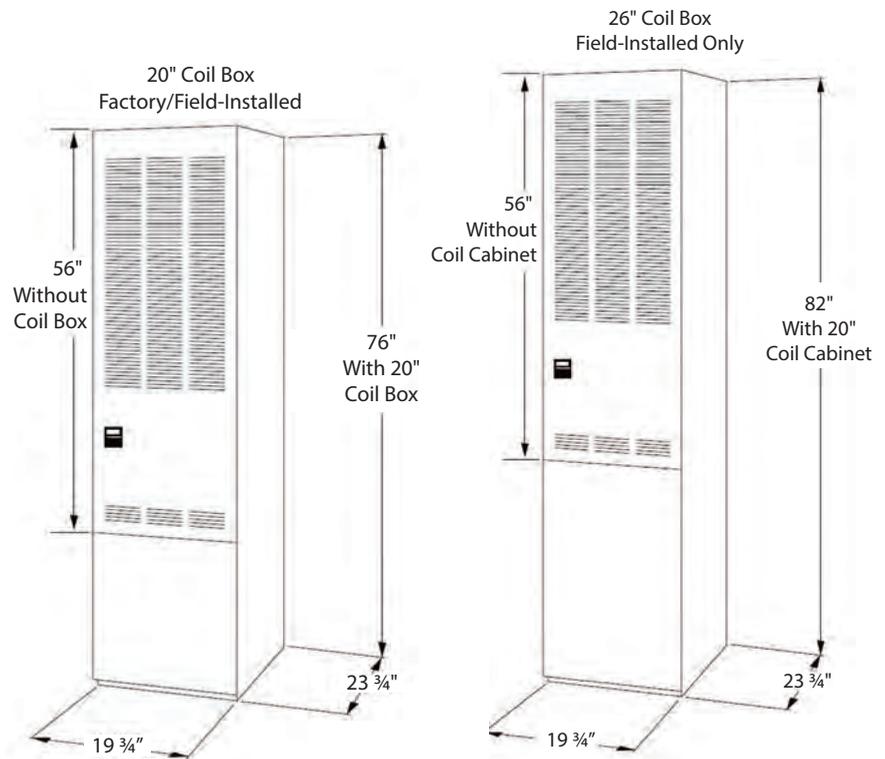
Notes: Approved for both vertical and horizontal direct (2 pipe) venting applications. Subtract 3.5 ft for each additional 3"-90° elbow, where 1 short radius elbow equals 2 long-radius elbows. Do not include termination elbows in a vent-length calculation. For applications exceeding 2,000 ft above sea level, decrease vent-pipe lengths by 8%/1000 ft of altitude.

Materials and Standards	
Pipe Materials	ANSI/ASTM
Schedule 40PVC	D1785
PVC-DWV	D2665
SDR-21 & SDR-26	D2241
ABS-DWV	D2661
Schedule 40 ABS	F628
Foam / Cellular Core PVC	F628

Note: Only the materials listed in the table above are approved for US use; Canadian applications should use ULC S636-approved material.



Concentric Vent Kits





Indoor Comfort Products Brought To You
By The Manufactured Home Experts!

RG1 80% AFUE Gas Furnaces

RG1 Series furnaces are exclusively designed for all sizes of manufactured homes; which are typically installed in a utility room, utility closet, or enclosed in an alcove. They are dedicated downflow and available in AC-adaptable (no coil box) or AC-ready (with a coil box), in a variety of capacities and blower options to meet your heating and cooling needs.

Features and Benefits

Factory-Installed Coil Box Models eliminate additional field work, and are exclusively designed to maximize performance in Downflow applications.

Furnace-Only Models are an ideal stocking option to streamline inventory, but still provide field-configurable application flexibility needed in today's replacement market.

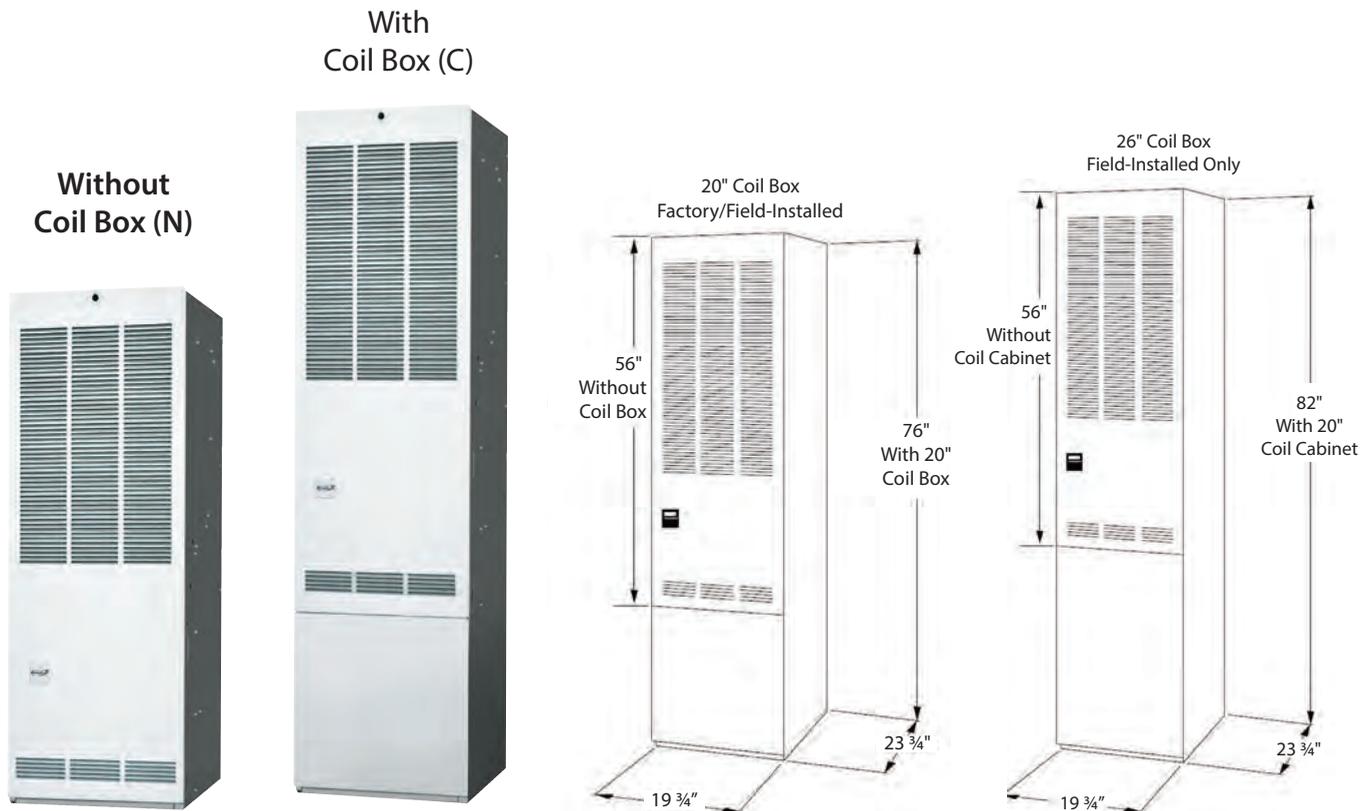
Easily Convert to LP in just minutes, with the included liquid propane orifice.

Multiple AC-Blower Options for quicker addition of central air conditioning or heat pump systems, supporting up to 5-Tons cooling.

Sealed Combustion System vents combustion exhaust gases directly outdoors, while drawing in fresh outside for the burner.

Dependable Warranty handled directly by Style Crest's HVAC Warranty Team, offering the most competitive warranty coverage and service, in the industry.

HUD Code Compliant - the set of federal standards to which the majority of all Manufactured Homes are still designed and built.



RG1 80% AFUE Gas Furnaces

Unit SKU	AHRI Cert #	Coil Box Included? ¹	Input	Output	Orifice# Natural Gas	Orifice# LP Gas	AC Blower	Ship Wt.
RG1D56N3	8862024	No, Optional ¹	56 MBH	46 MBH	29	45	3-Tons	152 lbs
RG1D70N3	8862042	No, Optional ¹	70 MBH	57 MBH	24	42	3-Tons	153 lbs
RG1D77N3	8862043	No, Optional ¹	77 MBH	62 MBH	21	40	3-Tons	149 lbs
RG1D90N3	8862044	No, Optional ¹	90 MBH	72 MBH	17	36	3-Tons	151 lbs
RG1D56C3	8862024	Yes, 20"H	56 MBH	46 MBH	29	45	3-Tons	167 lbs
RG1D70C3	8862042	Yes, 20"H	70 MBH	57 MBH	24	42	3-Tons	168 lbs
RG1D77C3	8862043	Yes, 20"H	77 MBH	6 MBH	21	40	3-Tons	164 lbs
RG1D90C3	8862044	Yes, 20"H	90 MBH	72 MBH	17	36	3-Tons	166 lbs
RG1D56N4	8862055	No, Optional ¹	56 MBH	46 MBH	29	45	4-Tons	156 lbs
RG1D70N4	8862056	No, Optional ¹	70 MBH	57 MBH	24	42	4-Tons	157 lbs
RG1D77N4	8862058	No, Optional ¹	77 MBH	62 MBH	21	40	4-Tons	156 lbs
RG1D90N4	8862059	No, Optional ¹	90 MBH	72 MBH	17	36	4-Tons	156 lbs
RG1D56C4	8862055	Yes, 20"H	56 MBH	46 MBH	29	45	4-Tons	171 lbs
RG1D70C4	8862056	Yes, 20"H	70 MBH	57 MBH	24	42	4-Tons	172 lbs
RG1D77C4	8862058	Yes, 20"H	77 MBH	62 MBH	21	40	4-Tons	171 lbs
RG1D90C4	8862059	Yes, 20"H	90 MBH	72 MBH	17	36	4-Tons	171 lbs

1) For cooling and heat pump applications on no box models, add coil box 911969A (20") or 922594 (26")

RG1 80% AFUE Gas Furnace Accessories²

Part Number	Description
901987A	Duct Conn, 11 ¼" x 13 ½" x 7/8" (12/Carton)
901988A	Duct Conn, 11 ¼" x 13 ½" x 2" (12/Carton)
901989A	Duct Conn, 11 ¼" x 13 ½" x 4 ¼" (6/Carton)
901990A	Duct Conn, 11 ¼" x 13 ½" x 6 ¼" (6/Carton)
901991A	Duct Conn, 11 ¼" x 13 ½" x 8 ¼" (4/Carton)
901992A	Duct Conn, 11 ¼" x 13 ½" x 10 ¼" (3/Carton)
901993A	Duct Conn, 11 ¼" x 13 ½" x 12 ¼" (3/Carton)
911969A	20"H Indoor (Evaporator) A-Coil Box
922594	26"H Indoor (Evaporator) A-Coil Box
901083	Furnace Backflow Damper, w/Coil Box, 1-Blade
902095	Furnace Backflow Damper, No Coil Box, 3-Blade
903890	5-Ton Blower Upgrade, PSC, 4-Speed
903413	4-Ton Blower Kit, PSC, 4-Speed

Part Number	Description
903662	Roof Jack, 2/12 Pitch, 21"-35" Extension, Alum.
903663	Roof Jack, 2/12 Pitch, 27"-47" Extension, Alum.
903664	Roof Jack, 2/12 Pitch, 35"-63" Extension, Alum.
920638	Roof Jack, 2/12 Pitch, 51"-95" Extension, Alum.
903678A	Roof Jack, 4/12 Pitch, 27"-47" Extension, Alum.
903665A	Roof Jack, 4/12 Pitch, 35"-63" Extension, Alum.
903666A	Roof Jack, 4/12 Pitch, 51"-95" Extension, Alum.
903659	Roof Jack, 0/12 Pitch, 21"-35" Extension, Alum.
903660	Roof Jack, 0/12 Pitch, 27"-47" Extension, Alum.
903893	Roof Wedge-Flashing, 2 ½" x 12" (4/Carton)
903894	Roof Wedge-Flashing, 3" x 12" (4/Carton)
903895	Roof Wedge-Flashing, 4" x 12" (2/Carton)
902521	Ceiling Rings, 2 piece, Adjustable

2) See pages 41-42 for additional system accessories and details.



PSC Blower Upgrade



Roof Wedge



Roof Jack



Indoor Comfort Products Brought To You
By The Manufactured Home Experts!

M5SB 83% AFUE Oil Furnaces

M5SB Series furnaces are exclusively designed for all sizes of manufactured homes; which are typically installed in a utility room, utility closet, or enclosed in an alcove. They are dedicated downflow and available in AC-adaptable (no coil box) or AC-ready (with a coil box), with a variety of blower options to meet your heating and cooling needs.

Features and Benefits

Factory-installed Coil Box Models eliminate additional field work, and are exclusively designed to maximize performance in Downflow applications.

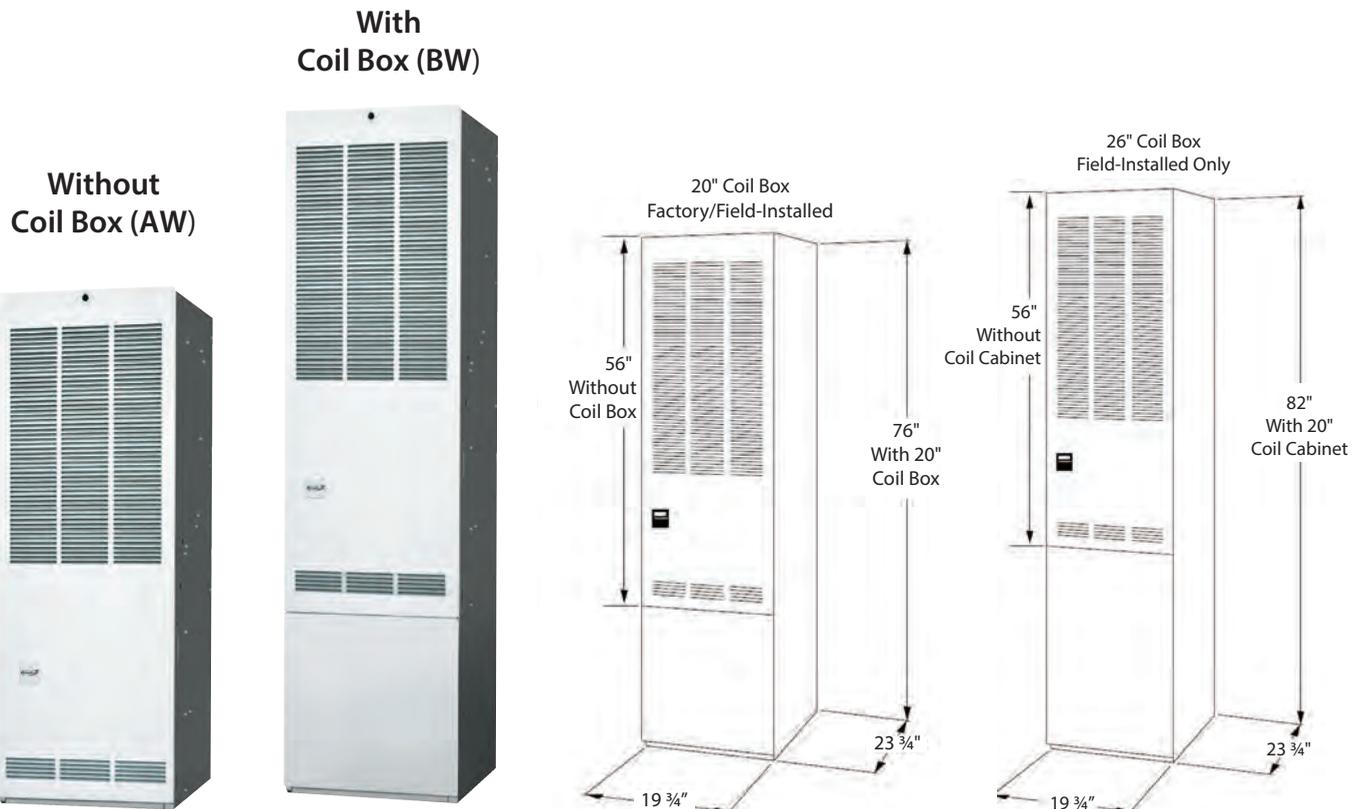
Furnace-only Models are an ideal stocking option to streamline inventory, but still provide field-configurable application flexibility needed in today's replacement market.

Multiple AC-Blower Options for quicker addition of central air conditioning or heat pump systems, supporting up to 5-Tons cooling.

Sealed Combustion System vents combustion exhaust gases directly outdoors, while drawing in fresh outside for the burner.

Dependable Warranty handled directly by Style Crest's HVAC Warranty Team, offering the most competitive warranty coverage and service, in the industry.

HUD Code Compliant - the set of federal standards to which the majority of all Manufactured Homes are still designed and built.



M5SB 83% AFUE Oil Furnaces

New Furnace SKU	Old Revolv® Model-SKU	AHRI Model #	AHRI Cert #	Coil Box Included?	Ship Wt.
M5SB-066A-AW	Not Offered	M5SB 066A AW	201703984	No, Optional ¹	151 lbs
M5SB-086A-AW	Not Offered	M5SB 086A AW	201703989	No, Optional ¹	158 lbs
M5SB-066A-BW	R01D66C3	M5SB 066A BW	201703984	Yes, 20"H	165 lbs
M5SB-086A-BW	R01D86C3	M5SB 086A BW	201703989	Yes, 20"H	173 lbs

1) For cooling and heat pump applications on no box models, add coil box 911969A (20") or 922594 (26")

Specifications							
Furnace SKU	Input	Output	E.S.P.	Motor HP	Motor FLA	AC Blower	AFUE
M5SB-066A-AW	66 MBH	56 MBH	0.3" WC	¼ HP	6 A	3-Tons	83%
M5SB-086A-AW	86 MBH	73 MBH	0.3 "WC	¼ HP	6 A	3-Tons	83%
M5SB-066A-BW	66 MBH	56 MBH	0.3 "WC	¼ HP	6 A	3-Tons	83%
M5SB-086A-BW	86 MBH	73 MBH	0.3 "WC	¼ HP	6 A	3-Tons	83%

M5SB 83% AFUE Oil Furnace Accessories²

Part Number	Description
901987A	Duct Conn, 11 ¼" x 13 ½" x 7/8" (12/ Carton)
901988A	Duct Conn, 11 ¼" x 13 ½" x 2" (12/ Carton)
901989A	Duct Conn, 11 ¼" x 13 ½" x 4 ¼" (6/ Carton)
901990A	Duct Conn, 11 ¼" x 13 ½" x 6 ¼" (6/ Carton)
901991A	Duct Conn, 11 ¼" x 13 ½" x 8 ¼" (4/ Carton)
901992A	Duct Conn, 11 ¼" x 13 ½" x 10 ¼" (3/ Carton)
901993A	Duct Conn, 11 ¼" x 13 ½" x 12 ¼" (3/ Carton)
911969A	20"H Indoor (Evaporator) A-Coil Box
922594	26"H Indoor (Evaporator) A-Coil Box
901083	Furnace Backflow Damper, w/Coil Box, 1-Blade
902095	Furnace Backflow Damper, No Coil Box, 3-Blade
903890	5-Ton Blower Upgrade, PSC, 4-Speed
903413	4-Ton Blower Kit, PSC, 4-Speed

Part Number	Description
903662	Roof Jack, 2/12 Pitch, 21"-35" Extension, Alum.
903663	Roof Jack, 2/12 Pitch, 27"-47" Extension, Alum.
903664	Roof Jack, 2/12 Pitch, 35"-63" Extension, Alum.
920638	Roof Jack, 2/12 Pitch, 51"-95" Extension, Alum.
903678A	Roof Jack, 4/12 Pitch, 27"-47" Extension, Alum.
903665A	Roof Jack, 4/12 Pitch, 35"-63" Extension, Alum.
903666A	Roof Jack, 4/12 Pitch, 51"-95" Extension, Alum.
903659	Roof Jack, 0/12 Pitch, 21"-35" Extension, Alum.
903660	Roof Jack, 0/12 Pitch, 27"-47" Extension, Alum.
903893	Roof Wedge-Flashing, 2 ½" x 12" (4/ Carton)
903894	Roof Wedge-Flashing, 3" x 12" (4/ Carton)
903895	Roof Wedge-Flashing, 4" x 12" (2/ Carton)
902521	Ceiling Rings, 2 piece, Adjustable

2) See pages 41-42 for additional details and system accessories.



PSC Blower Upgrade



Roof Wedge



Roof Jack

RG7, RG1 & M5SB Field-Installed Furnace Accessories

Furnace Backflow Dampers



901083 Backflow Damper, Furnace (Gas/Oil), 1-Blade (for empty coil box)



902095 Backflow Damper, Furnace (Gas/Oil), 3-Blade (low profile/no coil box)

Duct Connectors



901987A Duct Conn, 11¼" x 13½" x 7⁄8" (12/Carton)

901988A Duct Conn, 11¼" x 13½" x 2" (12/Carton)

901989A Duct Conn, 11¼" x 13½" x 4¼" (6/Carton)

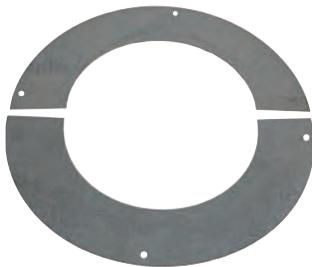
901990A Duct Conn, 11¼" x 13½" x 6¼" (6/Carton)

901991A Duct Conn, 11¼" x 13½" x 8¼" (4/Carton)

901992A Duct Conn, 11¼" x 13½" x 10¼" (3/Carton)

901993A Duct Conn, 11¼" x 13½" x 12¼" (3/Carton)

Ceiling Rings



902521 Ceiling Rings Adjustable, 2-piece

20"H Coil Box

Factory or Field-Installed



911969A 20"H Coil Box, RG1-RG7-M5S

26"H Coil Box



922594 26"H Coil Box, RG1-RG7-M5S

Vent Transition Kit

(For RG7 Only)



904106 Vent Transition Kit, 8", RG7

Concentric Vent Kits

(For RG7 Only)

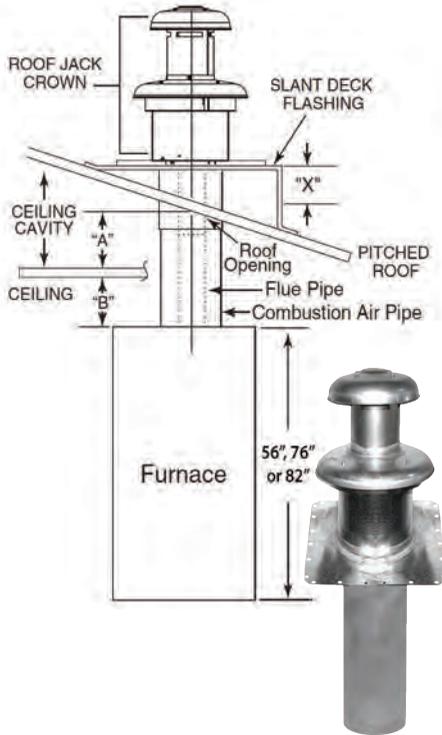


904952 Concentric Vent Kit, 2", PVC

904953 Concentric Vent Kit, 3", PVC

RG1 & M5SB Field-Installed Furnace Accessories

Aluminum Roof Jacks



- "A"+"B"+"X" = Roof Jack Length.
- "X" is included only if a wedge is used, see table, above right, for values.
- "A" = Roof Height - Ceiling Height.
- "B" = Ceiling Height - Furnace Height.
- Measure with respect to RJ center-line.
- The calculated Roof Jack Length must be within the "RJL Range" indicated in the table, above right.
- 0/12 Flashing flexes from 0/12 to 1/12.
- 2½/12 Flashing flexes from 1/12 to 4/12.
- 4/12 Flashing flexes from 3/12 to 5/12.

Roof Pitch with				
0"-Flat RJ	2½"-Slope RJ	Wedge	Wedge Pitch	"X" Value
2"Λ/12"→	4½"Λ/12"→	903893	2½"Λ/12"→	2½"
2½"Λ/12"→	5"Λ/12"→	903893	2½"Λ/12"→	2½"
3"Λ/12"→	5½"Λ/12"→	903894	3"Λ/12"→	2⅞"
3½"Λ/12"→	6"Λ/12"→	903894	3"Λ/12"→	3¼"
4"Λ/12"→	6½"Λ/12"→	903895	4"Λ/12"→	3⅝"

RJL Range	Roof Jack Flashing / Roof Pitch		
	0"Λ/12"→ SKU	2½"Λ/12"→ SKU	4"Λ/12"→ SKU
15" - 23"	903658		
21" - 35"	903659	903662	
27" - 47"	903660	903663	903678A
35" - 63"		903664	903665A
51" - 95"		920638	903666A

Roof Jack Extensions



- 901935** Roof Jack Extension 10", Internal
- 901937** Roof Jack Extension 16", External
- 903107** Roof Jack Extension 18", Internal

Roof Jack Crown



- 903656** Roof Jack Crown-only

Sloped Roof Wedge



- 903893** Sloped Roof Wedge, 2½/12 Pitch (4/Carton)
- 903894** Sloped Roof Wedge, 3/12 Pitch (4/Carton)
- 903895** Sloped Roof Wedge, 4/12 Pitch (2/Carton)

5-Ton Blower Upgrade



- 903890** PSC Blower Upgrade Kit, 5-Ton, 4-Speed

4-Ton Blower Kit



- 903413** PSC Blower, 4-Ton, 4-Speed



Indoor Comfort Products Brought To You
By The Manufactured Home Experts!

VMC/A 95% AFUE Premium Gas Furnaces

The highest-quality high-efficiency downflow gas furnace uniquely designed for Manufactured Housing, while still adhering to the industry-standard footprint.

Features and Benefits

VMC Models include a factory-installed coil box that eliminates the (alternative's) additional field work, designed to maximize performance unique to downflow applications.

Energy Star Certified Models include a factory-installed EC Motor.

VMA Models are an ideal option to streamline inventory, since they do *not* include a factory-installed coil box, which allows for the (field-configurable) application flexibility needed in today's replacement market.

Easily Convert to LP in just minutes, with the included liquid propane orifice.

AC Ready Blowers support up to 4-Tons cooling on a 75 MBH furnace. (~3.5-Tons on 50 MBH).

Durable Dual Heat Exchangers consisting of a 18-gauge, aluminum-coated primary and stainless steel secondary, assure a long life.

Dependable Warranty handled directly by Style Crest's HVAC Warranty Team, backed by a limited *lifetime* heat exchanger warranty.

HUD Code Compliant - the set of federal standards to which the majority of all Manufactured Homes are still designed and built.



VMA Without Coil Box



LED diagnostic feature

22-gauge powder coated cabinet for durability

New integral coil cabinet models

VMC With Coil Box



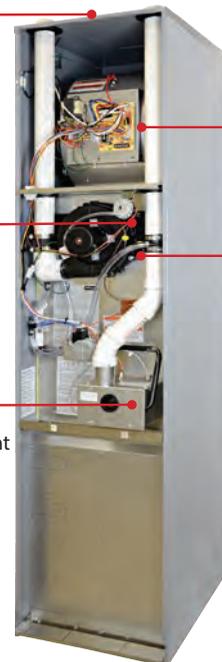
Two piece top for improved installation access



18-gauge aluminum coated primary heat exchanger & stainless steel secondary heat exchanger Provide long life on VMC

Silicon Nitride Igniter for Quiet and Consistent Light-off

Concentric vent kit is available for VMC furnace, Allowing Venting through the existing roofjack



4 speed direct drive blower for quiet, efficient operation

Limited lifetime heat exchanger and 5 year parts warranties

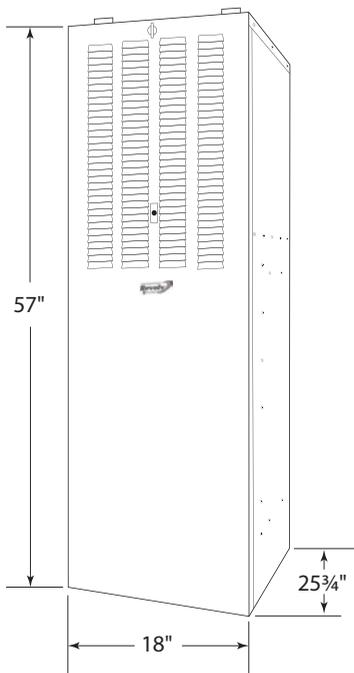
VMC/VMA 95% AFUE Gas Furnaces

Furnace Model	Furnace SKU	AHRI Cert # Number	Item Description Gas Furnace	Input	Output	Item L	Item W	Item H	Ship Wt.
VMC1-50DV3N	08540007	7085291	50K-95% -3.5 T-VMC-ES 	50 MBH	48 MBH	25 3/4"	18 3/4"	76 1/8"	195 lbs
VMC1-75DV3N	08540008	7085290	75K-95% -4.0 T-VMC-ES 	75 MBH	72 MBH	25 3/4"	18 3/4"	76 1/8"	205 lbs
VMC1-50D36N	08540005	7038135	50K-95% -3.5 T-VMC	50 MBH	48 MBH	25 3/4"	18 3/4"	76 1/8"	195 lbs
VMC1-75D36N	08540006	7038136	75K-95% -4.0 T-VMC	75 MBH	72 MBH	25 3/4"	18 3/4"	76 1/8"	205 lbs
VMA3-50D36N	08540003	7038133	50K-95% -3.5 T-VMA	50 MBH	48 MBH	25 3/4"	18"	57"	175 lbs
VMA3-75D36N	08540004	7038134	75K-95% -3.5 T-VMA	75 MBH	72 MBH	25 3/4"	18"	57"	185 lbs

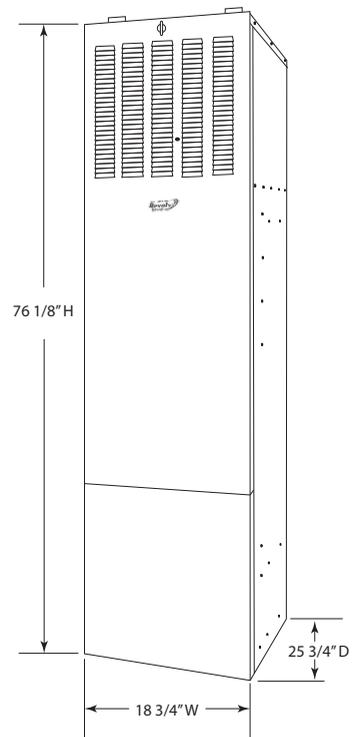
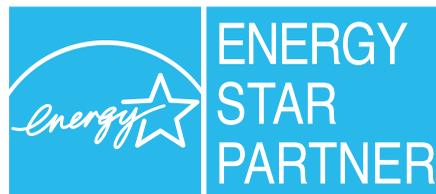
1) Energy Star Certified Models 

Accessories ²	
Part Number	Description
08560001	Combustion Base, Gas Furnace, VMA
08560002	VMC/VMA Concentric Vent Kit With Roof Flashing
08560005	VMC/VMA Concentric Vent Kit
08560006	Roof Flashing Kit, VMC/VMA
08560007	Draft Transition, 3"-Concentric Vent to 4"-Roof Jack
08560008	Draft Transition, 3"-Concentric Vent to 5"-Roof Jack
08560009	Roof Jack Close-off, Trimplate Kit, VMC/VMA
08560003	20"Height Coil Box, Counterflow, VMA
07540023	Condensate Pump, 115V

2) See page 45 for additional details and system accessories.



VMA (No Coil Box)



VMA (No Coil Box)

VMC/VMA Gas Furnace Accessories

Roof Flashing Kit



08560006 Roof Flashing Kit, VMC/A

Roof Jack Closeoff



08560009 Roof Jack Close-off, Trimplate Kit, VMC/A

VMA Combustion Base



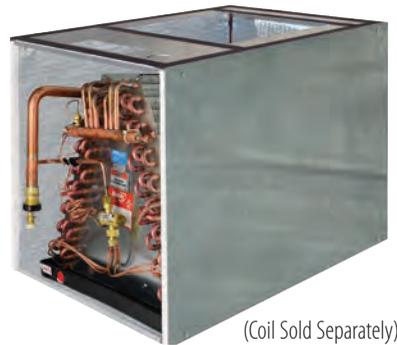
08560001 Combustion Base, Gas Furnace, VMA-Only

Concentric Vent Kit



08560005 Concentric Vent Kit, 3", VMC/A

Coil Box



(Coil Sold Separately)

08560003 20" Height Coil Box, Counterflow, VMA-Only

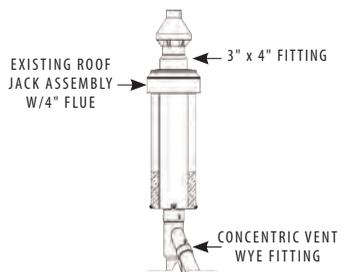
Condensate Pump

Tank Capacity 0.50 US Pint
High Level Safety Cut-Out
35dBA Max Noise @ 3ft



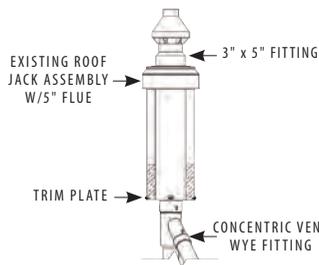
07540023 Condensate Pump, 115V

Draft Transition 4"



08560007 Draft Transition, 3"-Concentric Vent to 4"-Roof Jack Opening

Draft Transition 5"



08560008 Draft Transition, 3"-Concentric Vent to 5"-Roof Jack Opening

General HVAC Accessories

AC Disconnect Switch

Three-Piece Construction



598064 Disconnect Switch,
Non-fused, 60 Amp

Liquid-Tight Conduit

Flexible, Nonmetallic, Type B



598040 Conduit 1/2" x 100 ft

598041 Conduit 3/4" x 100 ft

Drain Line P-Trap

Creates water seal in condensate line



5015411 3/4" Condensate Drain Trap

Electric Box Connectors



598042 1/2" Straight Connector
(25/Carton)

598043 3/4" Straight Connector
(10/Carton)

598045 1/2" 90° Elbow Connector
(10/Carton)

598046 3/4" 90° Elbow Connector
(10/Carton)

Metal Floor Registers

Dual-Gate, Airflow Paddles
(Mounting Hardware NOT Included)



11CL48B 4" x 8" Brown

11CL48W 4" x 8" White

11CL410B 4" x 10" Brown

11CL410W 4" x 10" White

11CL412B 4" x 12" Brown

11CL412W 4" x 12" White

Wire-whip Conduit Kit

HVAC equipment power connections



598079 3/4" x 6 ft, #6 Wire

598077 3/4" x 6 ft, #8 Wire

598071 1/2" x 4 ft, #10 Wire

598073 1/2" x 6 ft, #10 Wire

Plastic Floor Registers

No Sharp Edges & Dishwasher Safe



1178481 4" x 8" White
(40/Carton)

1178487 4" x 8" Brown
(40/Carton)

1178401 4" x 10" White
(40/Carton)

1178407 4" x 10" Brown
(40/Carton)

General HVAC Accessories

Equipment Mounting Pads



1124242D



1132323D



H3652-4



1145583D

- 1124242D** Pad, AC, 24" x 24" x 2", UV Plastic, Black
- 1124243D** Pad, AC, 24" x 24" x 3", UV Plastic, Black
- 1132323D** Pad, AC, 32" x 32" x 3", UV Plastic, Black
- 1136483D** Pad, AC, 36" x 48" x 3", UV Plastic, Black, 2-Piece
- 1145583D** Pad, AC, 45" x 58" x 3", UV Plastic, Gray, 33#
- H3652-4** Pad, AC, 36" x 52" x 4", Hurricane-150MPH, Concrete-140#
- H3865-4** Pad, AC, 38" x 65" x 4", Hurricane-150MPH, Concrete-170#
- 1138524HT** Pad, AC, 45" x 58" x 4", Hurricane-Class T, Concrete-350#

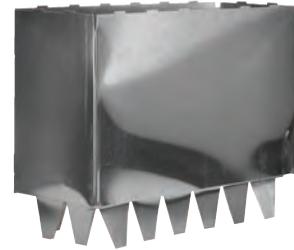
Draft Cap

Single-Wall Pipe Applications



- 522086** Draft Cap for 4" Single-Pipe Flue (8/Carton)
- 522095** Draft Cap for 5" Single-Pipe Flue (8/Carton)

Tabbed Register Collars



- 11486** Collar, Supply Register, 8"W x 4"L x 6"D (48/Carton)
- 114106** Collar, Supply Register, 10"W x 4"L x 6"D (48/Carton)

Metal Flashing



- 60850** 8" x 50 ft Aluminum
- 601050** 10" x 50 ft Aluminum
- 6010501** 10" x 50 ft Galvanized

Trimable HVAC Filters



- 11050001** Filter, Plastic Frame, Woven Panel, Washable, Trimmable, 17" x 24" (2/Package)
- 110611** Filter, Spun Plastic, Washable, 16" x 20", Custom-Trimable

VMC/A Furnace Filter



- 07540020** Filter, VMC/A, Washable, Spun Plastic, 24" x 18" x 1"

Disposable Filters



- 1122515** Filter, Spun Fiberglass, Disposable, 20" x 16" x 1" (12/Carton)
- 1122517** Filter, Spun Fiberglass, Disposable, 20" x 20" x 1" (12/Carton)

General HVAC Accessories

Foam Filters



- 1162036** Filter, Foam, 36" x 19" x 1/4"
- 1161026** Filter, Foam, 26" x 16" x 1/4"
- 1163054** Filter, Foam, 54" x 19" x 1/4"

Permanent Metal Filter



- 119401** Filter, Metal Mesh, Permanent, Washable, 20" x 15 1/2"
- 1196935689** Filter, Metal Mesh, Permanent, Washable, 19" x 16", 2-Pieces (Pair) (80/Carton)

Universal Thermocouple



- 11923** Thermocouple Kit, 30"

Foil Tapes



- 602000** Foil Tape UL181, 2" x 60 yards (16/Carton)
- 602509** Foil Tape, 2" x 50 yards (24/Carton)

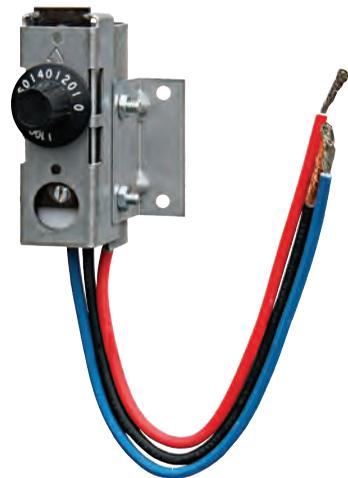
Cloth Duct Tapes

General Purpose



- 602609** Black Cloth Duct Tape, 2" x 60 yards (24/Carton)
- 602857B** Black Cloth Duct Tape, UL181, 2" x 60 yards (24/Carton)
- 602603** Silver Cloth Duct Tape, 2" x 60 yards (24/Carton)

Outdoor Changeover Thermostat



- 111020** Thermostat Outdoor/Single (HPs w/ Furnace)

Thermostats

Single Operation, No-Changeover

- Rugged Snap-Action Contacts
- Adjustable Heat Anticipator
- Bi-Metal Thermometer
- Classic White Color
- 1-Stage, Heat Or Cool Operation



111001 Cool Only Thermostat

111002 Heat Only Thermostat

1Ht-1Cl, MCO 5-Wire

- Manual Changeover
- Rugged Snap-Action Contacts
- Adjustable Heat Anticipator
- Bi-Metal Thermometer
- Heat/Cool Model Includes Switching Subbase
- Compatible With Electric Heat Systems
- Classic White Color
- 1-Stage, Heat & Cool Operation



111003 Heat/Cool Thermostat

1Ht-1Cl MCO 4-Wire/24V

- Manual Changeover
- Heating And Cooling 4 Wire 24v
- Rugged Snap-Action Contacts
- Adjustable Heat Anticipator
- Bi-Metal Thermometer
- Classic White Color
- Continuous/Auto-Cycle Fan
- 1-Stage, Heat & Cool Operation



02538747000 Thermostat Heat/Cool 4-Wire

Thermostats

1Ht-1CI MCO Digital Non-Programmable

- Manual Changeover
- Fossil Fuel Or Electric Heat Compatible
- Large LCD With Backlight
- Selectable Celsius Or Fahrenheit Temperature Display
- Includes B/O Terminal
- Electronic Accuracy
- Furnaces And AC
- Continuous/Auto-Cycle Fan
- 1-Stage, Heat & Cool Operation



111007 Digital Non Programmable T-Stat 1H/1C

1Ht-1CI MCO Digital Programmable

- Manual Changeover
- Fossil Fuel Or Electric Heat Compatible
- Large LCD With Backlight
- Celsius Or Fahrenheit Temperature Display
- Includes B/O Terminal
- Electronic Accuracy
- Furnaces And AC
- Continuous/Auto-Cycle Fan
- 1-Stage, Heat & Cool Operation



111006 Digital Programmable T-Stat 1H/1C

2Ht-1CI MCO Digital Non-Programmable

- Manual Changeover
- Fossil Fuel Or Electric Heat Compatible
- Large LCD With Backlight
- Celsius Or Fahrenheit Temperature Display
- Includes B/O Terminal
- Electronic Accuracy
- Heat Pump Capable
- Continuous/Auto-Cycle Fan



111005 Digital Non Programmable T-Stat 2H/1C

Thermostats

2Ht-1CI MCO Digital Programmable

- Manual Changeover
- Electric Heat Compatible
- Large LCD With Backlight
- Celsius Or Fahrenheit Temperature Display
- Includes B/O Terminal
- Electronic Accuracy
- Furnaces & HP - Dual Fuel Required
- Heat Pump Capable
- Continuous/Auto-Cycle Fan



111004 Digital Programmable-Stat 2H/1C

2Ht-1CI MCO/ACO Digital Touch

- Manual Or Auto Changeover - Human Or T'stat switches between Heating & Cooling Modes
- Large Easy-To-Read Backlit Touch Screen Display With Easy To Use Setup
- User Selectable Programming 7-Day (5-1-1) with 4 Time And Temp Settings Per Program
- Maintains Room Temperature +/- 1° F
- Applicable For Single And Multiple-Stage Heat (AC And HP Operation)
- Battery Or Hard-Wired With Battery Backup Operation
- Built In Diagnostic Indicator
- Filter Change Reminder
- Temporary Temperature Override - 15 Minute Or 7-Day Vacation Modes
- Dual Fuel Capable, 2-Stage Heating, Gas Furnaces with HP



111010 Digital Programmable T-Stat Multifunction

1,000's of Manufactured Housing Products...

Our distribution centers have the on-hand inventory you need to ensure your customers have access to the products they need.



Extensive On-hand Inventory