

1 Electronically-controlled Sewing Machines

P.1

2 Lockstitch Machines with Automatic Undertrimmer

P.8

3 Lockstitch Machines

P.11

4 Special Lockstitch Machines

P.12

5 Options

P.13

6 Motors

P.14

INDUSTRIAL SEWING MACHINES

Electronically-controlled Sewing Machines

Compact-type Pattern Sewing Machine (Vertical double-size shuttle hook)

PLK-G1306

Sewing Area
130 x 60mm



Max. speed (rpm)	2,000 (*1)
Feeding system	Intermittent or continuous (Switchover method)
Stitch length (mm)	0.1 to 20.0 (minimum resolution 0.1)
Needle	DP x 17#18 (factory installation)
Hook	Vertical double-size shuttle hook
Max. patterns	900 (*2)
Max. stitches	20,000/pattern
Presser foot drive	Pneumatic
Mass (kg)	83.5

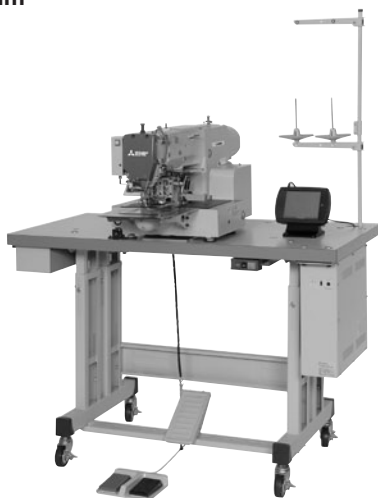
*1: Sewing speed may be limited by the type of sewing material, presser weight and stitch length, etc.

*2: The max. patterns may be limited depending on the number of stitches of each pattern in the memory.

Compact-type Pattern Sewing Machine (Vertical double-size shuttle hook)

PLK-G1010

Sewing Area
100 x 100mm



Max. speed (rpm)	2,800 (*1)
Feeding system	Intermittent or continuous
Stitch length (mm)	0.1 to 20.0 (minimum resolution 0.1)
Needle	DP x 17#18
Hook	Vertical double-size shuttle hook
Max. patterns	900 (*2)
Max. stitches	20,000/pattern
Presser foot drive	Magnetic
Mass (kg)	133

*1: Sewing speed may be limited by the type of sewing material, presser weight and stitch length, etc.

*2: The max. patterns may be limited depending on the number of stitches of each pattern in the memory.

1

Electronically-controlled Sewing Machines

2

Lockstitch Machines with Automatic Undertrimmer

3

Lockstitch Machines

4

Special Lockstitch Machines

5

Options

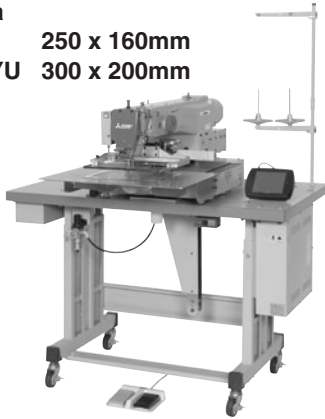
6

Motors

Mid-size Area Pattern Sewing Machine
(Vertical double-size shuttle hook)

PLK-G2516
PLK-G2516YU

Sewing Area
PLK-G2516 250 x 160mm
PLK-G2516YU 300 x 200mm



Model	PLK-G2516	PLK-G2516YU
Max. speed (rpm)	2,800 (*1)	2,300 (*1)
Feeding system	Intermittent or continuous	
Stitch length (mm)	0.1 to 20.0 (minimum resolution 0.1)	
Needle	DP x 17#18	
Hook	Vertical double-size shuttle hook	
Max. patterns	900 (*2)	
Max. stitches	20,000/pattern	
Presser foot drive	Pneumatic	
Mass (kg)	161.5	163.5

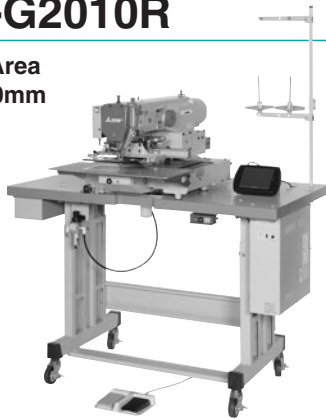
*1:Sewing speed may be limited by the type of sewing material, presser weight and stitch length, etc.

*2:The max. patterns may be limited depending on the number of stitches of each pattern in the memory.

Mid-size Area Pattern Sewing Machine
(Vertical double-size rotary hook)

PLK-G2010R

Sewing Area
200 x 100mm



Max. speed (rpm)	2,800 (*1)
Feeding system	Intermittent or continuous
Stitch length (mm)	0.1 to 20.0 (minimum resolution 0.1)
Needle	DP x 17#18
Hook	Vertical double-size rotary hook
Max. patterns	900 (*2)
Max. stitches	20,000/pattern
Presser foot drive	Pneumatic
Mass (kg)	147

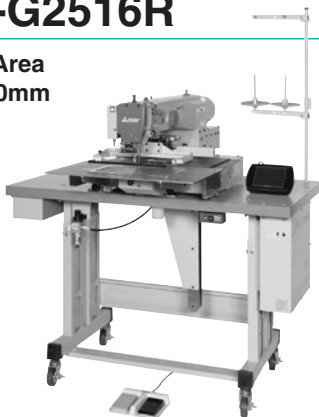
*1:Sewing speed may be limited by the type of sewing material, presser weight and stitch length, etc.

*2:The max. patterns may be limited depending on the number of stitches of each pattern in the memory.

Mid-size Area Pattern Sewing Machine
(Vertical double-size rotary hook)

PLK-G2516R

Sewing Area
250 x 160mm



Max. speed (rpm)	2,800 (*1)
Feeding system	Intermittent or continuous
Stitch length (mm)	0.1 to 20.0 (minimum resolution 0.1)
Needle	DP x 17#18
Hook	Vertical double-size rotary hook
Max. patterns	900 (*2)
Max. stitches	20,000/pattern
Presser foot drive	Pneumatic
Mass (kg)	168.5

*1:Sewing speed may be limited by the type of sewing material, presser weight and stitch length, etc.

*2:The max. patterns may be limited depending on the number of stitches of each pattern in the memory.

Electronically-controlled Sewing Machines

Wide-area Pattern Sewing Machine

PLK-G4030/4030R
PLK-G6030/6030R

Sewing Area
PLK-G4030 400 x 300mm
PLK-G6030 600 x 300mm



Model	PLK-G4030	G4030R	PLK-G6030	G6030R
Max. speed (rpm)	2,000 (*1)			
Feeding system	Intermittent or continuous			
Stitch length (mm)	0.1 to 20.0 (minimum resolution 0.1)			
Needle	DP x 17#18			
Hook	Vertical double-size rotary hook		Vertical double-size rotary hook	
	Vertical double-size shuttle hook			
Max. patterns	900 (*2)			
Max. stitches	20,000/pattern			
Presser foot drive	Pneumatic			
Mass (kg)	420	430	440	450

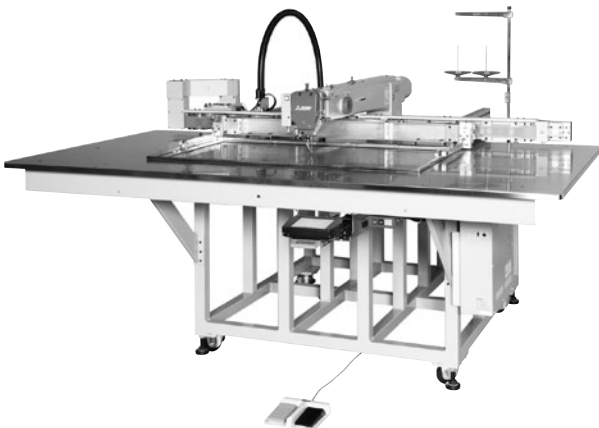
*1:Sewing speed may be limited by the type of sewing material, presser weight and stitch length, etc.

*2:The max. patterns may be limited depending on the number of stitches of each pattern in the memory.

Extra-large-sized Sewing Machine

PLK-G5050/5050R
PLK-G10050/10050R

Sewing Area
PLK-G5050 500 x 500mm
PLK-G10050 1,000 x 500mm



Model	PLK-G5050	G5050R	PLK-G10050	G5050R
Max. speed (rpm)	1,600 (intermittent) / 2,000 (continuous) (*1)			
Feeding system	Intermittent or continuous			
Stitch length (mm)	0.1 to 20.0 (intermittent) / 0.1 to 4.3 (continuous) (minimum resolution 0.1)			
Needle	DP x 17#18			
Hook	Vertical double-size rotary hook		Vertical double-size rotary hook	
	Vertical double-size shuttle hook			
Max. patterns	900 (*2)			
Max. stitches	20,000/pattern			
Presser foot drive	Pneumatic			
Mass (kg)	470	480	500	510

*1:Sewing speed may be limited by the type of sewing material, presser weight and stitch length, etc.

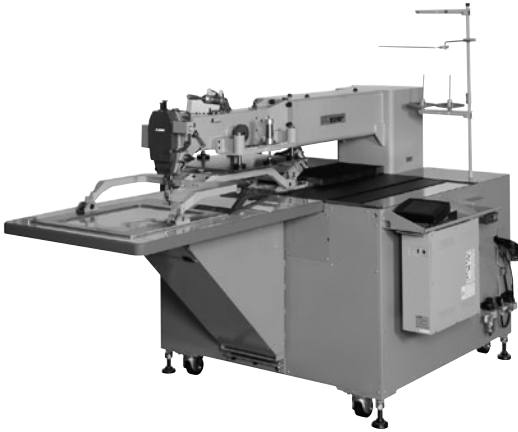
*2:The max. patterns may be limited depending on the number of stitches of each pattern in the memory.

1 Electronically-controlled Sewing Machines
2 Lockstitch Machines with Automatic Undertrimmer
3 Lockstitch Machines
4 Special Lockstitch Machines
5 Options
6 Motors

For Extra-thick Material (Wide-area)

PLK-G3040R

Sewing Area
300 x 400mm



Max. speed (rpm)	1,000 (*1)
Feeding system	Intermittent or continuous
Stitch length (mm)	0.1 to 20.0 (minimum resolution 0.1)
Needle	DD x 1#26
Hook	Vertical extra large rotary hook
Max. patterns	900 (*2)
Max. stitches	20,000/pattern
Presser foot drive	Pneumatic
Mass (kg)	620

*1:Sewing speed may be limited by the type of sewing material, presser weight and stitch length, etc.

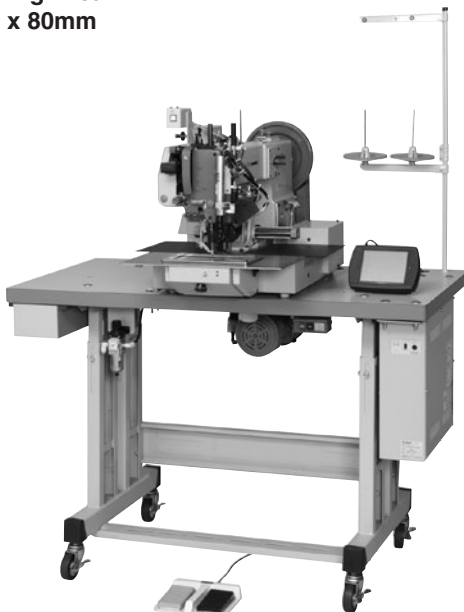
*2:The max. patterns may be limited depending on the number of stitches of each pattern in the memory.

For Extra-thick Material
(Compact-type) (Mid-size Area)

PLK-G2008H

PLK-G2008H-BTRM

Sewing Area
200 x 80mm



Model	PLK-G2008H	PLK-G2008H-BTRM
Max. speed (rpm)	700 (*1)	
Feeding system	Intermittent or continuous	
Stitch length (mm)	0.1 to 20.0 (minimum resolution 0.1)	
Needle	794#230	
Hook	Vertical extra large shuttle hook	
Max. patterns	900 (*2)	
Max. stitches	20,000/pattern	
Presser foot drive	Pneumatic	
Mass (kg)	172	170

*1:Sewing speed may be limited by the type of sewing material, presser weight and stitch length, etc.

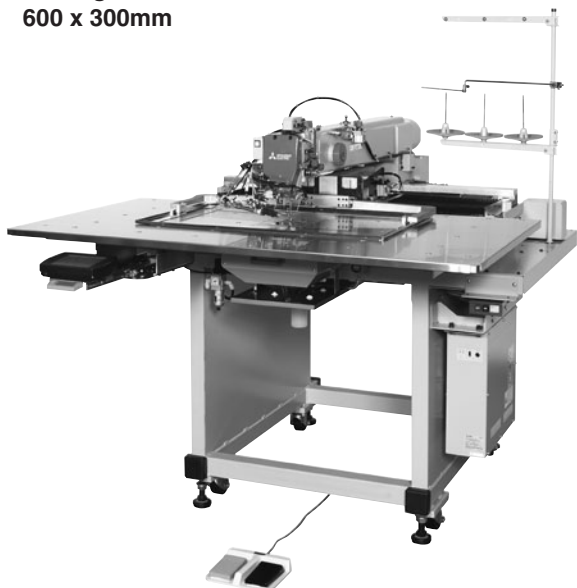
*2:The max. patterns may be limited depending on the number of stitches of each pattern in the memory.

Electronically-controlled Sewing Machines

Wide-area Pattern Sewing Machine

PLK-G6030WR

Sewing Area
600 x 300mm



Max. speed (rpm)	1,800 (*1)
Feeding system	Intermittent or continuous (Switchover method)
Stitch length (mm)	0.1 to 20.0
Needle	DP x 17#18 (factory installation)
Hook	Vertical double-size rotary hook
Max. patterns	900 (*2)
Max. stitches	20,000/pattern
Presser foot drive	Pneumatic
Mass (kg)	445

*1: Sewing speed may be limited by the type of sewing material, presser weight and stitch length, etc.

*2: The max. patterns may be limited depending on the number of stitches of each pattern in the memory.

1

Electronically-controlled Sewing Machines

2

Lockstitch Machines with Automatic Undertrimmer

3

Lockstitch Machines

4

Special Lockstitch Machines

5

Options

6

Motors

OPERATION PANEL [PLK-G-PAL]

Easy-to-use and see with large LCD touch-type operation panel

In addition to the basic sewing machine operations*1, this panel can be used to process patterns*2, confirm the status of the various sensor input and solenoid output signals, and individually set the sewing machine functions and input/output ports.

- Switching patterns used often can be selected quickly with the shortcut button.
- A simple explanation function is incorporated to display the application of each screen button when the button is touched.
- When inputting patterns, the clamp frame movement speed can be selected from three steps.
- An easy-to-carry and use shape has been adopted.

*1: Home return, jog, speed change, pattern call, up/down counter, bobbin winding, etc.

*2: Pattern call, write, input, correction, conversion, etc.



Options (PLK-G Series)

PC software [PTN-GX]

Sewing data creation software

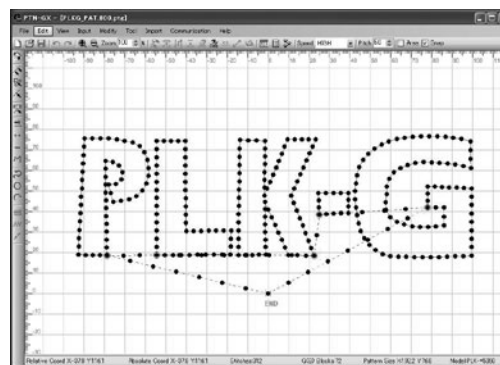
PTN-GX

Sewing data can be easily created on a personal computer.

CAD data can also be imported.

External data can be imported and converted into sewing data.

The operation of an automated device can be easily input and edited on the sewing data.



PTN-GX

Sewing machine parameter setting software

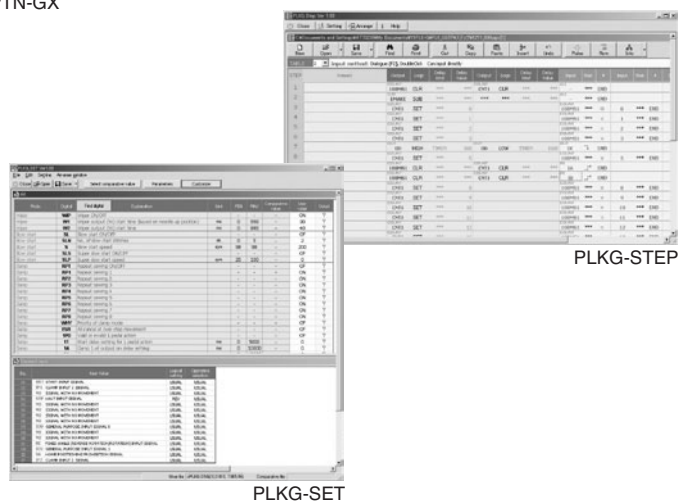
PLKG-SET

Settings carried out with the sewing machine's operation panel can be made with a personal computer.

Sewing machine sequence software

PLKG-STEP

The sewing machine and external device operations can be programmed.



PLKG-STEP

PLKG-SET

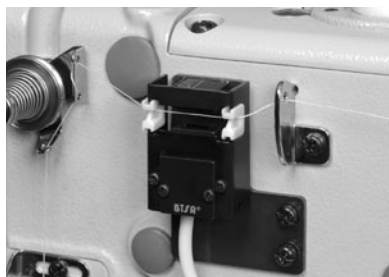
Electronically-controlled Sewing Machines

Optional devices

Pneumatic 2-step tensioner
MP-G10-AT



Upper thread-breakage detector
MP-G10-TS



2-step left/right alternating clamp
MP-G10-K2



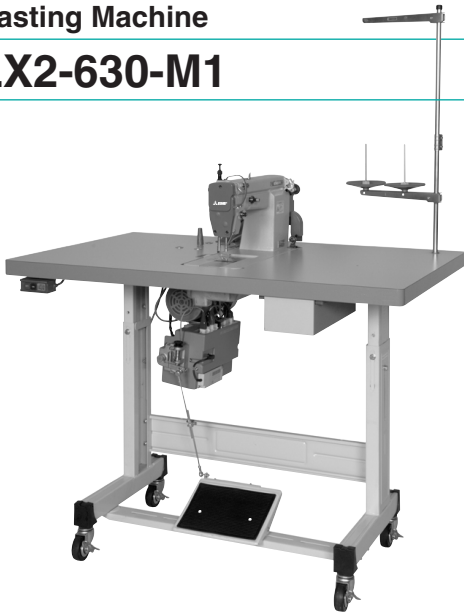
Part name	Type	G1010	G2010R	G2516R	G2516 G2516 -YU	G4030 G4030R	G6030 G6030R	G5050 G5050R	G10050 G10050R	Application
Pneumatic clamp	MP-G10-AO	●	—	—	—	—	—	—	—	Suitable for materials requiring clamp holding force.
Pneumatic two-stage clamp	MP-G10-K2	●	—	—	—	—	—	—	—	The left and right clamps can be lowered independently, making part and label stitching easier.
Label sewing unit	MP-G10-AH	●	—	—	—	—	—	—	—	This device is used to stitch the entire periphery of parts or labels.
Pneumatic 2-step tensioner	MP-G10-AT	●	—	—	—	—	—	—	—	Differences in the thread tension, caused by changes in the stitching direction or thickness, are eliminated.
	MP-G20-AT	—	●	●	●	—	—	—	—	
	MP-G40-AT	—	—	—	—	●	●	●	●	
Sewing area extension kit	MP-G10-EX	●	—	—	—	—	—	—	—	The sewing area can be extended in the X-axis direction by 210mm.
Upper thread-holding device	MP-G10-TH	●	—	—	—	—	—	—	—	The trimmed needle thread is held, preventing the thread from tangling at the start of stitching.
	MP-G20R-TH	—	●	●	●	●	●	●	●	
Upper thread-breakage detector	MP-G10-TS	●	—	—	—	—	—	—	—	The sewing machine is stopped if breakage of the needle thread is detected.
	MP-G25-TS	—	●	●	●	—	—	—	—	
	MP-G40-TS	—	—	—	—	●	●	—	—	
I/O expansion unit	MP-G50-TS	—	—	—	—	—	—	●	●	The number of input/output ports which can be connected to the sewing machine is increased. (12 extra input ports, 12 extra output ports)
	MP-G10-TE	●	—	—	—	—	—	—	—	
	MP-G20-TE	—	●	●	●	—	—	—	—	
	MP-G40-TE	—	—	—	—	●	●	—	—	
	MP-G50-TE	—	—	—	—	—	—	●	●	

1 Electronically-controlled Sewing Machines
2 Lockstitch Machines with Automatic Undertrimmer
3 Lockstitch Machines
4 Special Lockstitch Machines
5 Options
6 Motors

**Lockstitch Machines with
Automatic Undertrimmer
Single needle**

Basting Machine

LX2-630-M1



Applications	Light to heavy
Max. speed (rpm)	800
Presser foot clearance (mm)	Knee/15, hand/5
Needle	MT x 190#14
Hook	Horizontal rotary hook
Mass (kg)	32

**Upper and Lower Feed-type
(LY2-3319-B1T: Long Arm)**

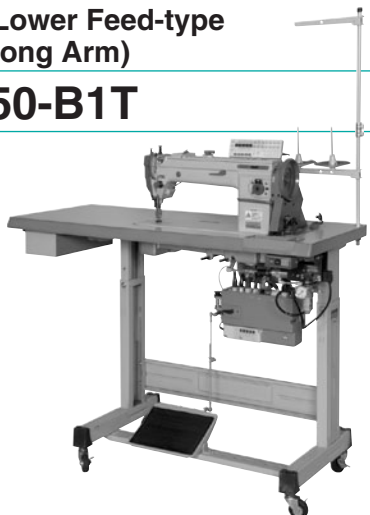
LY2-3310-B1T



Applications	Heavy
Max. speed (rpm)	2,000
Max. stitch length (mm)	8
Presser foot clearance (mm)	Knee/15, hand/6
Needle	DB x 17#22 (DB x 1#22)
Hook	Vertical double-size rotary hook
Touch back	○
Control switch panel	Option: XC-G500-Y
Automatic lifter	Option: LE-FA
Mass (kg)	33

**Upper and Lower Feed-type
(High and Long Arm)**

LY2-3750-B1T



Applications	Heavy
Max. speed (rpm)	2,000
Max. stitch length (mm)	8
Presser foot clearance (mm)	Knee/16, hand/6
Needle	DP x 17#22 (DB x 1#22)
Hook	Vertical double-size rotary hook
Touch back	○
Control switch panel	Option: XC-G500-Y
Automatic lifter	Option: LE-FA
Mass (kg)	39

1

Electronically-controlled
Sewing Machines

2

Lockstitch Machines with
Automatic Undertrimmer

3

Lockstitch Machines

4

Special Lockstitch Machines

5

Options

6

Motors

Lockstitch Machines with Automatic Undertrimmer Horizontal Rotating Hook

Double-needle, Needle-feed

LT2-2230-B1T



Applications	Medium	
Max. speed	3,000	
Max. stitch length (rpm)	7	
Presser foot clearance (mm)	Knee/13, hand/7	
Needle (mm)	DP x 5#18	
Hook	Horizontal double-size rotary hook	
Touch back	○	
Wiper	—	
Needle gauge (mm)	Standard	6.4
	Special	2.4, 3.2, 4, 4.8, 5.6, 8, 9.5, 12.7, 16, 19.1, 25.4, 28.5, 31.8, 38.1
Control switch panel	Option: XC-G500-Y	
Automatic lifter	Option: CX-FM-2	
Mass (kg)	44	

Double-needle, Needle-feed, Corner Stitch

LT2-2250-B1T



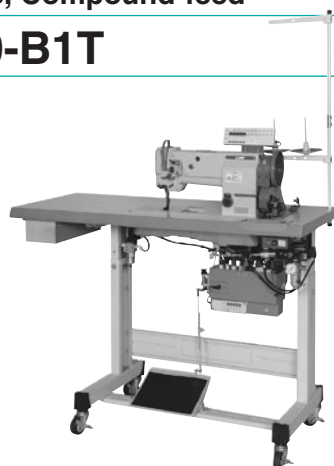
Applications	Medium	
Max. speed	3,000	
Max. stitch length (rpm)	7	
Presser foot clearance (mm)	Knee/13, hand/7	
Needle (mm)	DP x 5#18	
Hook	Horizontal double-size rotary hook	
Touch back	○	
Wiper	Option	
Needle gauge (mm)	Standard	6.4
	Special	3.2, 4.8, 8, 9.5, 12.7
Control switch panel	Option: XC-G500-Y	
Automatic lifter	Option: CX-FM-2	
Mass (kg)	46	

Single-needle, Compound-feed

LU2-4410-B1T-CS

Double-needle, Compound-feed

LU2-4430-B1T



Model	LU2-4410-B1T-CS	LU2-4430-B1T
Applications	Car seats	Heavy
Max. speed (rpm)	2,000	
Max. stitch length (mm)	9	
Presser foot clearance (mm)	Knee/16, hand/8	
Hook	Horizontal double-size rotary hook	
Needle	DP x 17#21	DP x 17#23
Needle gauge (mm)	Standard	6.4
	Special	3.2, 4, 4.8, 8, 9.5, 12.7, 16, 19, 25.4
Automatic thread trimmer	○	
Control switch panel	Option: XC-G500-Y	
Automatic lifter (kg)	Option: LE-FA	
Mass	42	

1 Electronically-controlled Sewing Machines
 2 Lockstitch Machines with Automatic Undertrimmer
 3 Lockstitch Machines
 4 Special Lockstitch Machines
 5 Options
 6 Motors

**Lockstitch Machines with
Automatic Undertrimmer
Horizontal Rotating Hook**

Single-needle, Compound-feed

LU2-4710-B1T

Double-needle, Compound-feed

LU2-4730-B1T



Model	LU2-4710-B1T	LU2-4730-B1T	
Applications	Heavy		
Max. speed (rpm/mm)	Speed	Alternate stroke	Stitch length
	3,000(2,500)	2	0 to 6
	2,700(2,300)	3	0 to 6
	2,000(2,000)	5 to 6	6 to 9
Max. stitch length (mm)	9		
Presser foot clearance (mm)	Knee/16, hand/9		
Needle	DP x 17#23		
Alternate	Alternate volume	2 to 6mm	
	Adjusting method	Dial-type	
	Instant alternate change	Air-cylinder-type (0.39 Mpa)	
Touch back	○		
Hook	Horizontal double-size rotary hook		
Needle gauge (mm)	Standard	—	3.2
	Special	—	6.4, 12.7, 19, 25.4
Control switch panel	Option: XC-G500-Y		
Automatic presser	Option: LE-FA		
Mass (kg)	47		

Single-needle, Compound-feed

LU2-4652-B1T

(Automatic thread trimmer)

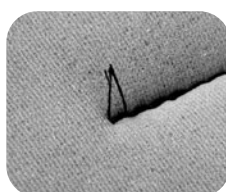


Applications	Car seats		
Max. speed (rpm/mm)	Speed	Alternate stroke	Stitch length
	3,000	2	0 to 6
	2,700	3	0 to 6
	2,000	5 to 6	6 to 8
Max. stitch length (mm)	8		
Presser foot clearance (mm)	Knee/16, hand/9		
Needle	DP x 17#21		
Alternate	Alternate volume	2 to 6mm	
	Adjusting method	Dial-type	
	Instant alternate change	Air-cylinder-type (0.39 Mpa)	
Touch back	○		
Automatic thread trimmer	Thread cutting device		
Hook	Horizontal double-size rotary hook		
Control switch panel	Option: XC-G500-Y		
Mass (kg)	44		

LU-ST KIT (Automatic thread trimmer for LU2-4410)



Example of sewn underside



Before



After

Max stitch length (mm)	8
Air inlet (mm)	φ 8
Corresponding model	LU2-4410

The air regulator and branch device are not included with this kit and must be prepared by the user.

1 Electronically-controlled Sewing Machines
2 Lockstitch Machines with Automatic Undertrimmer
3 Lockstitch Machines
4 Special Lockstitch Machines
5 Options
6 Motors

Lockstitch Machines

Single Needle

Upper and Lower Feed

LY2-3300-B0B



Applications		Heavy
Max. speed (rpm)		2,000
Max. stitch length (mm)		8
Presser foot clearance (mm)		Knee/15, hand/6
Needle		DP x 17#22 (DB x 1#22)
Hook		Vertical double-size rotary hook
Mass (kg)		33

Upper and Lower Feed Cylinder Bed

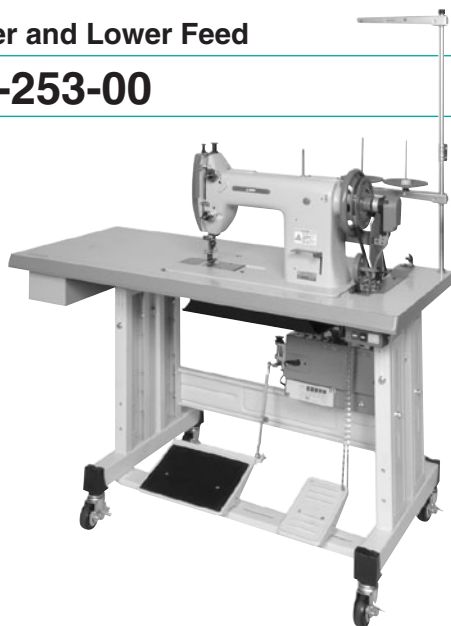
LY3-6840-B0T



Applications		Heavy
Max. speed (rpm)		2,000
Max. stitch length (mm)		7
Presser foot clearance (mm)		Knee/15, hand/6
Needle		DP x 17#22 (DB x 1#22)
Hook		Vertical double-size rotary hook
Mass (kg)		40

Upper and Lower Feed

DY-253-00



Applications		Extra heavy
Max. speed (rpm)		1,200
Max. stitch length (mm)		12.7
Presser foot clearance (mm)		Knee/15, hand/12.7
Needle		DD x 1#25
Hook		Vertical large rotary hook #32
Mass (kg)		64

Lockstitch Machines

Horizontal Rotating Hook

Double-needle, Needle-feed

LT2-2220-B0B



No. of needles	Double	
Applications	Medium	
Max. speed (rpm)	3,000	
Max. stitch length (mm)	7	
Presser foot clearance (mm)	Knee/13, hand/7	
Needle (mm)	DP x 5#18	
Hook	Horizontal double-size rotary hook	
Needle gauge (mm)	Standard	6.4
	Special	2.4, 3.2, 4, 4.8, 5.6, 8, 9.5, 12.7, 16, 19.1, 25.4, 28.5, 31.8, 38.1
Mass (kg)	41	

Single-needle, Compound-feed

LU2-4400-B0B

Double-needle, Compound-feed

LU2-4420-B0B



Model	LU2-4400-B0B	LU2-4420-B0B
No. of needles	Single	Double
Applications	Heavy	
Max. speed (rpm)	2,000	
Max. stitch length (mm)	9	
Presser foot clearance (mm)	Knee/16, hand/8	
Needle	DP x 17#23	
Hook	Horizontal double-size rotary hook	
Needle gauge (mm)	Standard	6.4
	Special	3.2, 4, 4.8, 8, 9.5, 12.7, 16, 19, 25.4
Mass (kg)	39	

Special Lockstitch Machines

Single-needle Basting Machine

LX5-871-M0 (Post bed)



Max. speed (rpm)	650
Presser foot clearance (mm)	13.5
Needle type	MT x 190#16
Hook	Horizontal rotary hook
Mass (kg)	39

Double-needle, Compound-feed

LU5-5720-B0T (Post bed)



Applications	Heavy	
Max. speed (rpm)	2,000	
Stitch length (mm)	1 to 9	
Presser foot clearance (mm)	Automatic/16, Hand/9	
Needle	DP x 17#21	
Hook	Horizontal double-size rotary hook	
Needle gauge (mm)	Standard	5/16 (7.9)
	Special	3/8 (9.5)
Mass (kg)	65	

1

Electronically-controlled Sewing Machines

2

Lockstitch Machines with Automatic Undertrimmer

3

Lockstitch Machines

4

Special Lockstitch Machines

5

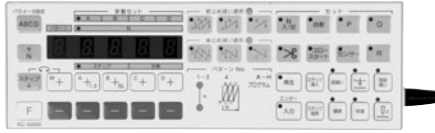
Options

6

Motors

Options

XC-G500-Y Control Switch Panel for XC-G AC Servo



Item	XC-G500-Y	
Number of display digits	5 digits	
Stitching	Straight lock stitching	Installed
	Start/End Back tacking	6 types
	Stitching with fixed stitches	1 - 9999 stitches
Stitching with fixed stitches	Continuous pattern	Max. 8 pattern, Max 25 process
	Start/End Back tacking	6 types
Up/down counter with alarm setting	One counter each (display is 4 digits)	
Trimming cancel key	Installed	
Automatic key	Installed	
Additional input key	Installed	
Parameter of control box copy function	Installed	
Additional LED display	Installed	

XC-G10S/L Control Switch Panel for XC-G AC Servo



Item	XC-G10S/L	
Number of display digits	5 digits	
Stitching	Straight lock stitching	Installed
	Start/End Back tacking	6 types
	Stitching with fixed stitches	1 - 9999 stitches
Up/down counter with alarm setting	One counter each (display is 4 digits)	

LE-FA Automatic Pneumatic Presser Foot Lifter



Air pressure range	0.147 MPa to 0.97MPa (1.5 to 9.9 kg/cm ²)
Lifting torque	MAX. 13.73 N·m (MAX.140 kg-cm) (at 0.49 Mpa [5 kg/cm ²] air pressure)
Application	Heavy material (requiring extremely high pressure)

XC-FM-2 Automatic Electromagnetic Presser Foot Lifter



Lifting	Approx. 6.37 N·m (Approx. 65 kg-m)
Application	Heavy
Source Voltage	24V

XC-CVS-3 Variable-speed Pedal

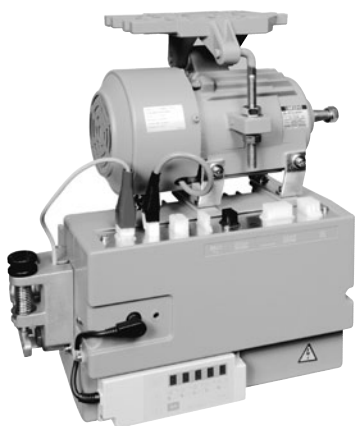
Allows operator to vary speeds while standing.
Especially useful for stitching corners and curves.



1 Electronically-controlled Sewing Machines
2 Lockstitch Machines with Automatic Undertrimmer
3 Lockstitch Machines
4 Special Lockstitch Machines
5 Options
6 Motors

Compact, lightweight motor with complete range of convenient functions

Mitsubishi Electric LIMISERVO G Series



(Motor)

Type	Motor Connector	Power Supply		Output (W)	Output Shaft	Mass
		Number of phases	Voltage (V)			
XL-G554-10Y	Strain relief	Single phase	100 to 120	550	Taper shaft	6.9kg (net) 9.1kg (gross)
XL-G554-20Y		Three phases Single phases (*1)	200 to 240			

(Control Box)

Type	Output	Power Supply		Functions	Mass
		No. of phases	Voltage (V)		
XC-GMFY-10-05	550W	Single-phase	100 to 120	Full functionality including automatic thread trimming, foot pedal lifting, fixed-stitch stitching, continuous stitching and backtacking. Equipped with step sequence, simple sequence and computer communication functions (when connected to control panel). Equipped with 8 solenoid drive outputs, 2 electromagnetic valve outputs. 1 small-signal output and 14 input terminals including a variable voltage input.	3.5kg (net) 6.9kg (gross)
XC-GMFYCE-20-05 (*2)	550W	Single-phase	200 to 240		
XC-GMFY-20-05	550W	3-phase Single-phase (*1)	200 to 240		

*1: Refer to the instructions on how to connect the cable.

*2: Type [XC-GMFYCE] is for CE market.

INDUSTRIAL SEWING MACHINES

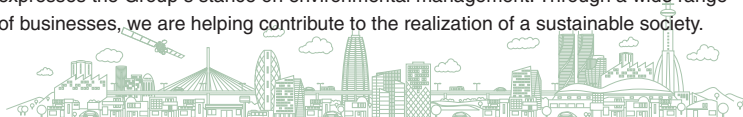
 **Safety Caution**

In order to properly and safely utilize the sewing machines mentioned in this brochure, before starting the operation, please make sure to read the related instruction manuals.



for a greener tomorrow

Eco Changes is the Mitsubishi Electric Group's environmental statement, and expresses the Group's stance on environmental management. Through a wide range of businesses, we are helping contribute to the realization of a sustainable society.



mitsubishi electric corporation

HEAD OFFICE: TOKYO BLDG., 2-7-3, MARUNOUCHI, CHIYODA-KU, TOKYO 100-8310, JAPAN
http://www.mtco-web.co.jp/misin/index_e.htm