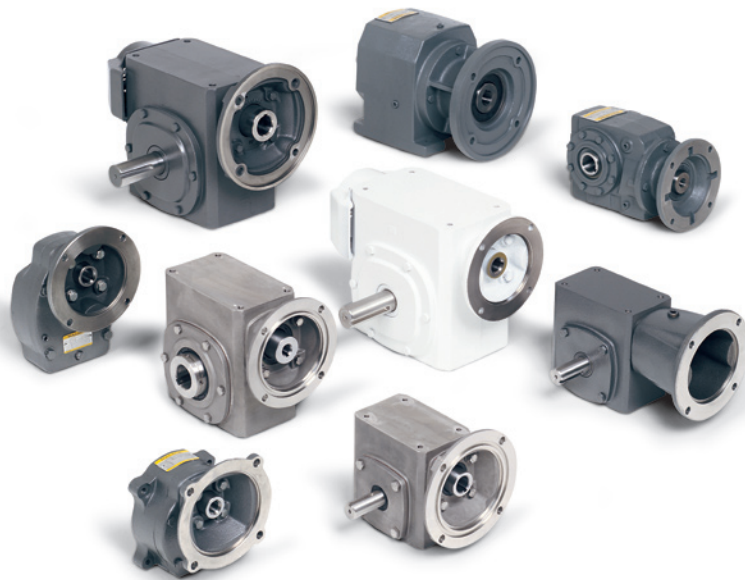
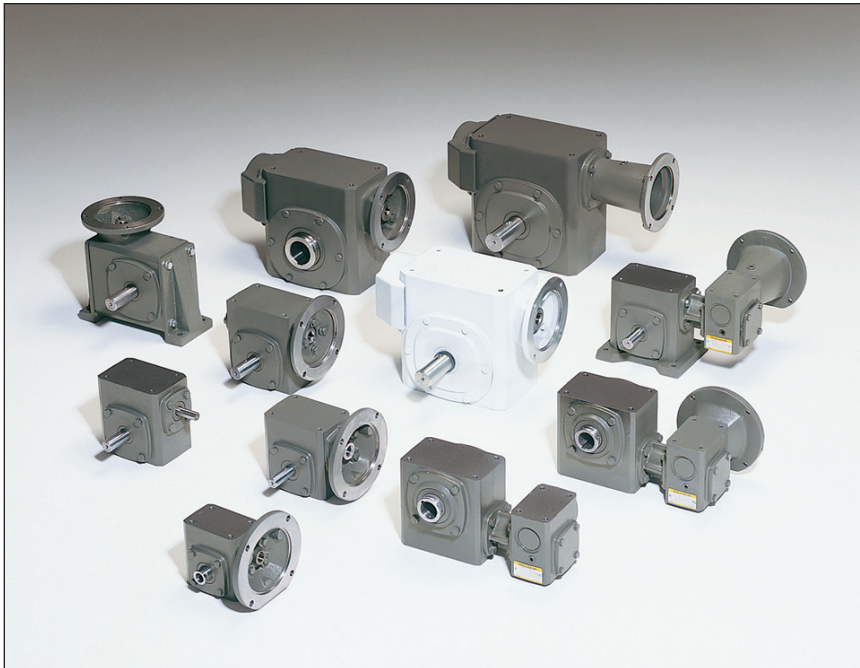


# Industrial Speed Reducers



**BALDOR**<sup>®</sup>



## 900 SERIES

Over 350 models in stock, a 24-hour Quick Ship program on most popular non-stock items, and 36 warehouses throughout North America – Baldor gives you the features you want, where and when you want them.

### Specifications

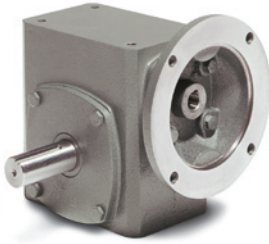
- Nine center distances
- Fractional through 15 horsepower
- Output torque ratings up to 3200 inch pounds – single reduction
- Solid and hollow output shaft designs
- Single reduction ratios from 5:1 to 60:1  
Double reduction from 75:1 to 3600:1
- Standard NEMA C-face quill or coupled input as well as solid worm type input
- Adapter kits available to convert two stock single stage units into a double reduction unit

### Features

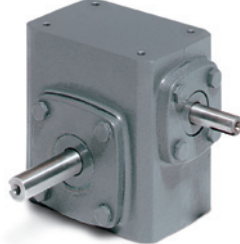
- Dimensionally interchangeable with major U.S. manufacturers
- Chill cast precision hobbed tin bronze gear provides superior wear characteristics
- Carburized and ground worm provides optimum efficiency and cool quiet operation
- Plunge ground seal journals for optimum seal life
- Completely sealed and lubricated for life with USDA H1 food grade Klubersynth UH1-6-460 oil providing years of trouble-free operation

## BALDOR'S 900 SERIES WORM GEAR UNITS PROVIDE MORE FEATURES PLUS INTERCHANGEABLE MOUNTING

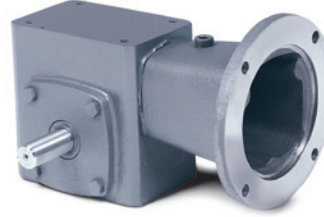
NEMA C-Face  
Quill Type  
F900



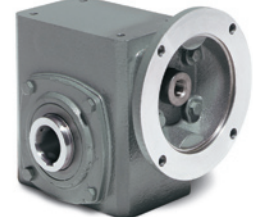
Solid Worm  
S900



NEMA C-Face  
Coupled Type  
LF900



Hollow Output Shaft  
HF900



BALDOR	BOSTON	BROWNING	DODGE TIGEAR	DODGE TIGEAR-2	ELECTRA	FALK	GROVE	HUB CITY	MORSE	OHIO	WINSMITH
<b>BASIC UNIT - SOLID INPUT</b>											
—	710	100U	—	—	—	—	B110	—	—	—	910DN
S913	713	133U	S133	13S	133ML	133WB	B213	131	B113	B2133	913DN
S915	715	154U	S150	15S	—	154WB	B215	—	B115	—	—
S918	718	175U	S175	17S	177ML	175WB	B218	181	B118	B2175	917DN
S921	721	206U	S200	20S	217ML	206WB	B220	211	B121	B2206	920DN
S924	724	237U	—	23S	—	238WB	B224	—	B124	B2238	924DN
S926	726	262U	S262	26S	267M	262WB	B226	261	B126	B2262	926DN
S930	730	300U	—	30S	—	300WB	B230	—	B130	B2300	930DN
S932	732	325U	—	35S	—	325WB	B232	321	B132	B2325	—
S938	738	375U	—	—	—	—	—	381	B138	—	—
—	752	516U	—	—	—	525WB	B252	521	B152	B2525	—
—	760	600U	—	—	600M	600WB	B260	601	B160	B2600	—
<b>FLANGED REDUCER - QUILL TYPE</b>											
—	F710	100Q	—	—	—	—	—	—	F110	—	910MDN
F913	F713	133Q	133	13Q	133MLSC	133WBM	BMQ213	134	F113	BMQ2133	913MDN
F915	F715	154Q	150	15Q	—	154WBM	BMQ215	—	F115	—	—
F918	F718	175Q	175	17Q	177MLSC	175WBM	BMQ218	184	F118	BMQ2175	917MDN
F921	F721	206Q	200	20Q	217MLSC	206WBM	BMQ220	214	F121	BMQ2206	920MDN
F924	F724	237Q	—	23Q	—	238WBM	BMQ224	—	F124	BMQ2238	924MDN
F926	F726	262Q	262	26Q	267MLSC	262WBM	BMQ226	264	F126	BMQ2262	926MDN
F930	F730	300Q	—	30Q	—	300WBM	BMQ230	—	F130	BMQ2300	930MDN
F932	F732	325Q	—	35Q	—	325WBM	BMQ232	324	F132	BMQ2325	—
F938	F738	375Q	—	—	—	—	—	384	F138	—	—
<b>FLANGED REDUCER - COUPLING TYPE</b>											
—	RF710	—	—	—	—	—	—	—	—	—	910CDN
LF913	RF713	133C	A133	13A	133MLC	133WBF	BM213	—	RF113	BMC2133	913CDN
LF915	RF715	154C	A150	15A	—	154WBF	BM215	—	RF115	—	—
LF918	RF718	175C	A175	17A	177MLC	175WBF	BM218	—	RF118	BMC2175	917CDN
LF921	RF721	206C	A200	20A	217MLC	206WBF	BM220	—	RF121	BMC2206	920CDN
LF924	RF724	237C	—	23A	—	238WBF	BM224	—	RF124	BMC2238	924CDN
LF926	RF726	262C	A262	26A	267MC	262WBF	BM226	—	RF126	BMC2262	926CDN
LF930	RF730	300C	—	30A	—	300WBF	BM230	—	RF130	BMC2300	930CDN
LF932	RF732	325C	A350	35A	—	325WBF	BM232	—	RF132	BMC2325	—
LF938	RF738	375C	—	—	—	—	—	—	RF138	—	—
LF952	RF752	516C	—	—	—	525WBF	BM252	—	RF152	BMC2525	—
LF960	RF760	—	—	—	600MC	600WBF	BM260	—	RF160	BMC2600	—
<b>HOLLOW OUTPUT - QUILL TYPE</b>											
HF913	HF713	133QH	—	13QH	—	133WBQM	HMQ213	—	SF113	—	—
—	HF715	154QH	—	15QH	—	154WBQM	HMQ215	—	SF115	—	—
HF918	HF718	175QH	—	17QH	177MHSC	175WBQM	HMQ218	185	SF118	SMQ2175	917MDSN
HF921	HF721	206QH	—	20QH	217MHSC	206WBQM	HMQ220	215	SF121	SMQ2206	920MDSN
HF924	HF724	237QH	—	23QH	267MHSC	238WBQM	HMQ224	—	SF124	SMQ2238	924MDSN
HF926	HF726	262QH	—	26QH	—	262WBQM	HMQ226	265	SF126	SMQ2262	926MDSN
HF930	HF730	300QH	—	30QH	—	300WBQM	HMQ230	—	SF130	SMQ2300	930MDSN
HF932	HF732	325QH	—	35QH	—	325WBQM	HMQ232	325	SF132	SMQ2325	—
HF938	HF738	375QH	—	—	—	—	—	385	SF138	—	—

If you require assistance with an interchange, please contact your local Baldor office. This chart is intended to be a guide only. Please see appropriate manufacturer's catalogs for exact details regarding ratings and dimensions.



## 1000 Series

Baldor's line of gear products now includes compact, heavy-duty helical gear reducers that offer long life, performance and simplified maintenance. Available in a broad range of ratios and input shaft configurations.

## Specifications

- Four case sizes
- Fractional through 10 horsepower flanged  
Fractional through 20 horsepower non-flanged
- Output torque ratings up to 5400 inch pounds
- Ratios from 1.5:1 to 250:1
- Foot mount and output flange models
- Standard NEMA C-face and projecting input shaft models

## Features

- Dimensionally interchangeable with other major manufacturers
- Standard NEMA c-face input accepts standard motors
- Accessible oil seals for easy routine maintenance
- All sizes can be double sealed on the high speed shaft for severe applications
- Pre-filled with Mobil SHC 634 synthetic oil
- Oversized bearings for high overhung load ratings
- Rugged high quality cast iron housings

## WHEN YOU NEED AN INLINE REDUCER REPLACEMENT CHECK OUT BALDOR'S 1000 SERIES

Foot Mount  
Quill Type NEMA C-Face  
F1000



Foot Mount  
Projecting Input Shaft  
1000



Output Flange Mount  
Quill Type NEMA C-Face  
F1000F



Output Flange Mount  
Projecting Input Shaft  
1000F



Manufacturers	Size	Foot Mount Quill Type NEMA C-Face F1000	Foot Mount Projecting Input Shaft 1000	Output Flange Mount Quill Type NEMA C-Face F1000F	Output Flange Mount Projecting Input Shaft F1000F
Baldor	1030	F1032/F1033	1032/1033	F1032F/F1033F	1032F/1033F
Boston	830	F832B/F833B	832B/833B	F832BF/F833BF	832BF/833BF
David Brown	M03	M032(3)BAN	M032(3)BRN	M032(3)FAN	M032(3)FRN
SEW Eurodrive	32	R32LP	Not Available	RF32LP	Not Available
Falk	03	03UCBN2(3)-A	03UCBN2(3)-N	03UCFN2(3)-A	03UCFN2(3)-N
Flender	E20*	E20 (M, G, OR A)*	E20A*	EF20 (M, G OR A)*	EF20A*
Dodge	1	SM1A/DM1A/TM1A	SR1A/DR1A/TR1A	SM1F/DM1F/TM1F	SR1F/DR1F/TR1F
Sumitomo	3090	H (C or M) 3090/95/97	H3090/95/97	HF(C or M) 3090/95/97	HF3090/95/97
Stober	C002	C002N-MR	C002N-AW	C002F-MR	C002F-AW
Baldor	1040	F1042/F1043	1042/1043	F1042F/F1043F	1042F/1043F
Boston	840	F842B/F843B	842B/843B	F842BF/F843BF	842BF/843BF
David Brown	M04	M042(3)BAN	M042(3)BRN	M042(3)FAN	M042(3)FRN
SEW Eurodrive	40	R40LP	R40	RF40LP	RF40
Falk	04	04UCBN2(3)-A	04UCBN2(3)-N	04UCFN2(3)-A	04UCFN2(3)-N
Flender	30	E30/Z30/D30-(M, G, or A)	E30/Z30/D30	EF30/ZF30/DF30 (M, G or A)	EF30/ZF30/DF30
Dodge	2	SM2A/DM2A/TM2A	SR2A/DR2A/TR2A	SM2F/DM2F/TM2F	SR2F/DR2F/TR2F
Sumitomo	3100	H(C or M) 3100/05	H3100/05	HF(C or M) 3100/05	HF3100/05
Stober	C100	C102/3N-MR	C102/3N-AW	C102/3F-MR	C102/3F-AW
Baldor	1060	F1062/F1063	1062/1063	F1062F/F1063F	1062F/1063F
Boston	860	F862B/F863B	862B/863B	F862BF/F863BF	862BF/863BF
David Brown	M06	M062(3)BAN	M062(3)BRN	M062(3)FAN	M062(3)FRN
SEW Eurodrive	60	R60LP/R63LP	R60/R63	RF60LP/RF63LP	RF60/RF63
Falk	06	06UCBN2(3)-A	06UCBN2(3)-N	06UCFN2(3)-A	06UCFN2(3)-N
Flender	40	E40/Z40/D40-(M, G or A)	E40/Z40/D40	EF40/ZF40/DF40-(M, G or A)	EF40/ZF40/DF40
Dodge	3	SM3A/DM3A/TM3A	SR3A/DR3A/TR3A	SM3F/DM3F/TM3F	SR3F/DR3F/TR3F
Sumitomo	3110	H(C or M) 3110/15	H3110/15	HF(C or M) 3110/15	HF3110/15
Stober	C200	C202/3N-MR	C202/3N-AW	C202/3F-MR	C202/3F-AW
Baldor	1070	F1072/F1073	1072/1073	F1072F/F1073F	1072F/1073F
Boston	870	F872B/F873B	872B/873B	F872BF/F873BF	872BF/873BF
David Brown	M07	M072(3)BAN	M072(3)BRN	M072(3)FAN	M072(3)FRN
SEW Eurodrive	70	R70LP/R73LP	R70/R73	RF70LP/RF73LP	RF70/RF73
Falk	07	07UCBN2(3)-a	07UCBN2(3)-N	07UCFN2(3)-A	07UCFN2(3)-N
Flender	60	E60/Z60/D60 - (M, D or A)	E60/Z60/D60	EF60/ZF60/DF60 (M, D or A)	EF60/ZF60/DF60
Dodge	4	SM4A/DM4A/TM4A	SR4A/DR4A/TR4A	SM4F/DM4F/TM4F	SR4F/DR4F/TR4F
Sumitomo	3140	H(C or M) 3140/45	H3140/45	HF(C or M) 3140/45	HF3140/45
Stober	C400	C402/3N-MR	C402/3N-AW	C402/3F-MR	C402/3F-AW

\* Single reduction models only.

If you require assistance with an interchange, please contact your local Baldor office.

This chart is intended to be a guide only. Please see appropriate manufacturer's catalogs for exact details regarding ratings and dimensions.



## 1000 Series

Baldor's Helical-Worm Speed Reducers offer improved efficiency over traditional double reduction worm gear speed reducers, shaft mount design eliminates the need for a coupling or chain drive and protective guarding.

### Specifications

- Four case sizes
- Fractional through 10 Hp
- Output torque ratings up to 6000 in-lbs
- Ratios from 8:1 to 900:1
- Non-flanged and NEMA C-face input style
- Hollow output shafts, single and double output shaft kits available
- Available accessories
  - Output flange kits
  - Torque arm kits
  - Base kits
  - Output shaft kits

### Features

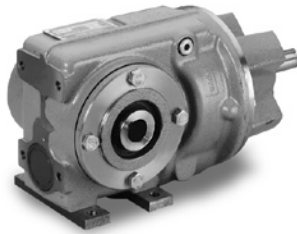
- Modular base allows dimensional interchangeability with major U.S. and European manufacturers
- All units can be double sealed input to withstand the rigors of even the most demanding applications
- Rugged housing of fine grained, gear quality cast iron provides maximum strength and durability
- Flanged or foot mounted
- All units adaptable to floor, sidewall or ceiling mounting
- Pre-filled with synthetic lubrication for your specific mounting position. Sizes 3 and 4 are lubricated for life, which promotes trouble-free operation

## Interchange Guide

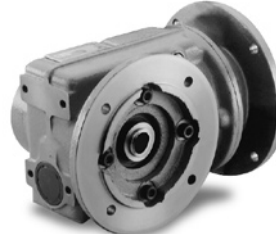
**Base Mount  
NEMA C-Face  
F1000RB**



**Base Mount  
Projecting Input Shaft  
1000RB**



**Output Flange Mount  
NEMA C-Face  
F1000RF**

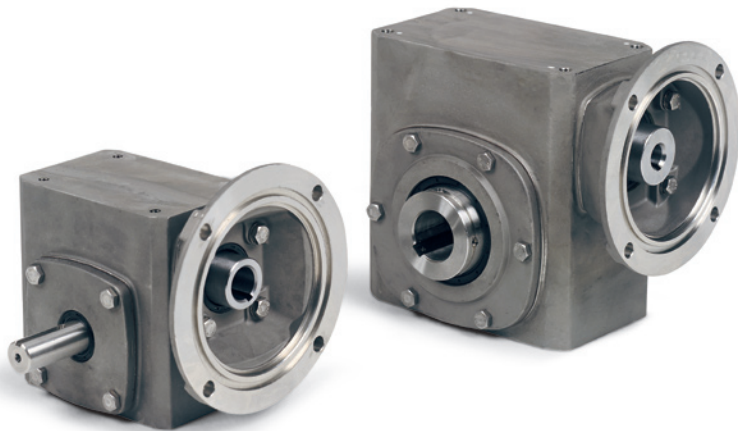


**Output Flange Mount  
Projecting Input Shaft  
1000RF**



Manufacturers	Size	Base Mount NEMA C-Face	Base Mount Solid Input	Output Flange Mount NEMA C-Face	Output Flange Mount Solid Input
Baldor	1030	F1032RB/F1033RB	1032RB/1033RB	F1032FR/F1033FR	1032FR/1033FR
Boston	830	SF832BRB/SF833BRB	832B/833B	F832BF/F833BF	832BF/833BF
SEW Eurodrive	32	SA32LP	Not Available	RF32LP	Not Available
Flender	N/A	Not Available	Not Available	Not Available	Not Available
Stober	S102	S102VN-MR	S102VN-AW	S102VN-MR	S102VN-AW
Baldor	1040	F1042RB/F1043RB	1042RB/1043RB	F1042FR/F1043FR	1042FR/1043FR
Boston	840	SF842BRB/SF843BRB	S842BRB/S843BRB	SF842BRF/SF843BRF	S842BRF/S843BRF
SEW Eurodrive	42	SA42LP	SA42	SAF42LP	SAF42
Flender	21	CA21-(M, G or A)	CA21A	CF21-(M, G or A)	CF21A
Stober	S200	S202VN-MR	S202/3VN-AW	S202/3AF-MR	S202/3AF-AW
Baldor	1050	F1052RB/F1053RB	1052RB/1053RB	F1052FR/F1053FR	1052FR/1053FR
Boston	850	SF852BRB/SF853BRB	S852BRB/S853BRB	SF852BRF/SF853BRF	S852BRF/S853BRF
SEW Eurodrive	52	SA52LP	SA52	SAF52LP	SAF52
Flender	41	CA41-(M, G or A)	CA41A	CF41-(M, G or A)	CF41A
Stober	S300	S302/3VN-MR	S302/3VN-AW	S302/3AF-MR	S302/3AF-AW
Baldor	1060	F1062RB/F1063RB	1062RB/1063RB	F1072FR/F1073FR	1062FR/1063FR
Boston	860	SF862BRB/SF863BRB	S862BRB/S863BRB	SF862BRF/SF863BRF	S862BRF/863BRF
SEW Eurodrive	62	SA62LP	SA62	SAF62LP	SAF62
Flender	61	CA61- (M,D or A)	CA61A	CF61-(M, D or A)	CF61A
Stober	S400	S402/3VN-MR	S402/3VN-AW	S402/3AF-MR	S402/3AF-AW

Baldor 1000 Series Right Angle Helical-Worm Gear Drives are designed to be functionally interchangeable with these and many other manufacturer's drives. This chart is intended to be a guide only. Please see appropriate manufacturer's catalogs for exact details regarding ratings and dimensions.



## All Stainless Steel

Baldor's all stainless steel speed reducers are easy to clean and sanitize, minimizing bacterial contamination for food processing equipment. Stainless steel provides the highest protection for pharmaceutical and chemical processing applications where harsh chemicals and cleaning solutions can be extremely corrosive to aluminum, cast iron and other materials.

## Specifications

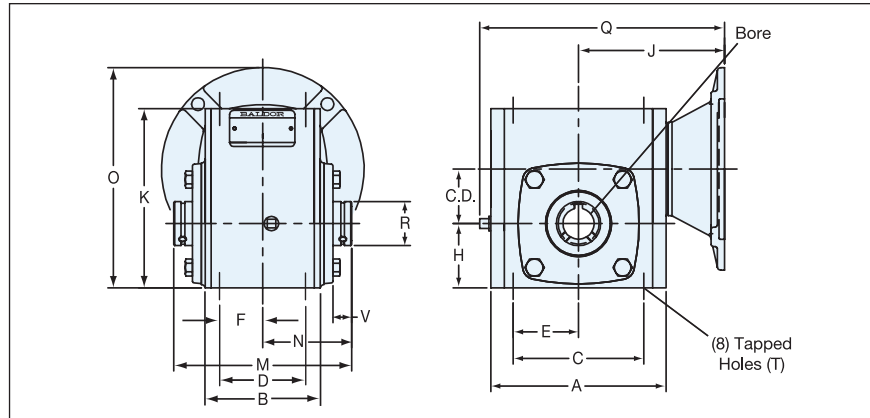
- Three center distances: 1.75, 2.06 and 2.62
- Fractional through 5 Hp
- Solid and hollow output with torque ratings up to 1100 inch pounds
- Single and double reduction ratios available
- Standard NEMA C-Face Quill input

## Features

- Smooth 316 stainless steel finish minimizes the chance for bacteria growth. Excellent corrosion resistance, especially where bleach solutions may be used
- 300 Series Stainless Steel output shaft and stainless hardware provides superior corrosion resistance
- O-ring sealed housing insures that all entry points are completely sealed prevention ingress of water or other contaminants, extending service life
- Completely sealed and lubricated for life with USDA H1 food grade Klubersynth UH1-6-460 oil. Providing years of trouble-free operation.



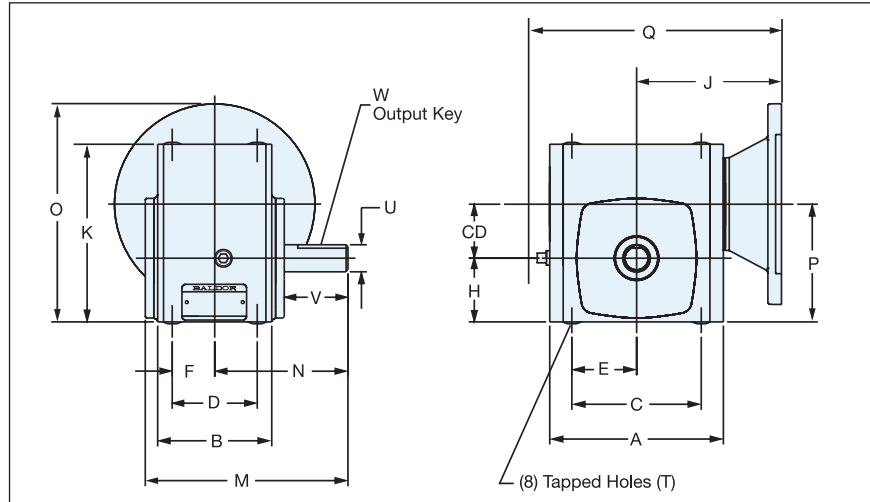
## Stainless Steel Style SSHF Hollow Output Shaft



Size	C.D.	A	B	C	D	E	F	H	J		K	M	N	O		P
									56C 140TC	180TC				56C 140TC	180TC	
918	1.75	5.62	3.69	4.19	2.75	2.09	1.38	2.06	4.69	—	5.75	5.70	2.85	7.06	—	3.81
921	2.06	6.13	3.83	5.00	2.88	2.50	1.44	2.28	5.06	—	6.38	6.44	3.22	7.60	—	4.34
926	2.62	7.45	4.44	6.38	3.38	3.19	1.69	2.94	5.75	6.19	8.00	6.88	3.44	8.81	10.07	5.56

Size	Q		T		Output Shaft			W-Key		Motor Size Available NEMA	Approximate Weight Lbs.	Approximate Oil Capacity oz.	
	56C 140TC	180TC	Tap Size	Depth	R	Bore		V	Sq.				Length
						Std.	Max.						
918	7.85	—	0.312-18	0.59	1.42	1.000	1.125	.60	0.250	1.625	56C/140TC	31	14.0
921	8.63	—	0.375-16	0.69	1.73	1.250	1.250	.63	0.250	1.625	56C/140TC	36	17.5
926	9.90	10.34	0.375-16	0.69	2.56	1.438	2.000	.63	0.375	1.500	56C/140TC/180TC	59	32.0

## Stainless Steel Style SSF Basic



Size	C.D.	A	B	C	D	E	F	H	J		K	M	N	O		P
									56C 140TC	180TC				56C 140TC	180TC	
918	1.75	5.56	3.69	4.19	2.75	2.09	1.38	2.06	4.69	—	5.75	6.78	4.31	7.06	—	3.81
921	2.06	6.06	3.81	5.00	2.88	2.50	1.44	2.28	5.07	—	6.38	7.22	4.69	7.60	—	4.34
926	2.62	7.38	4.44	6.38	3.38	3.19	1.69	2.94	5.75	6.19	8.00	8.50	5.62	8.81	10.07	5.56

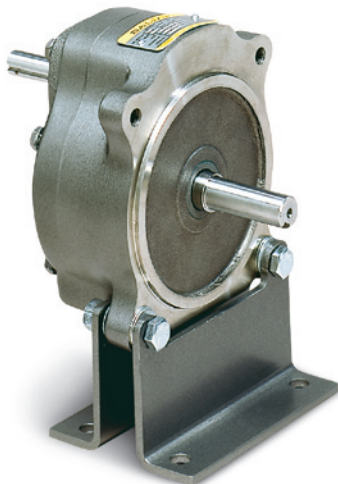
Size	Q		T		Output Shaft		W-Key		Motor Size Available NEMA	Approximate Weight Lbs.	Approximate Oil Capacity oz.
	56C 140TC	180TC	Tap Size	Depth	U +0.000 -0.001	V	Sq.	Length			
921	8.63	—	0.375-16	0.59	1.000	2.38	0.250	1.25	56C/140TC	36	17.5
926	9.90	10.34	0.375-16	0.69	1.125	2.78	0.250	2.00	56C/140TC/180TC	56	32.0

## Ratio Multipliers

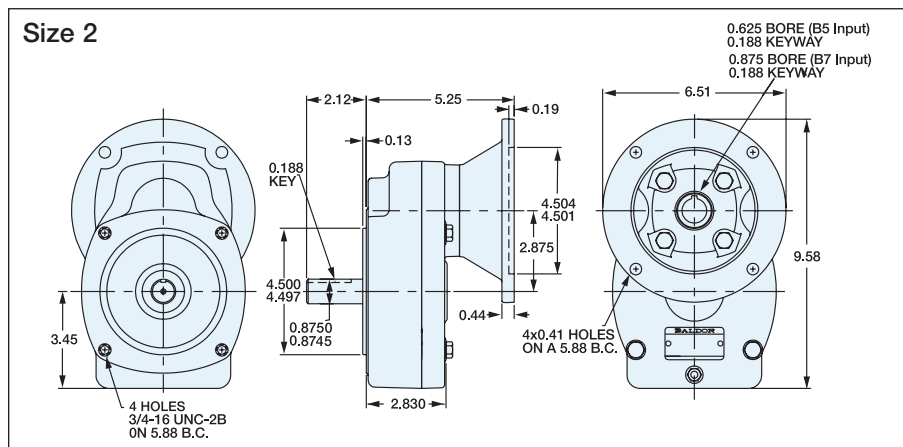
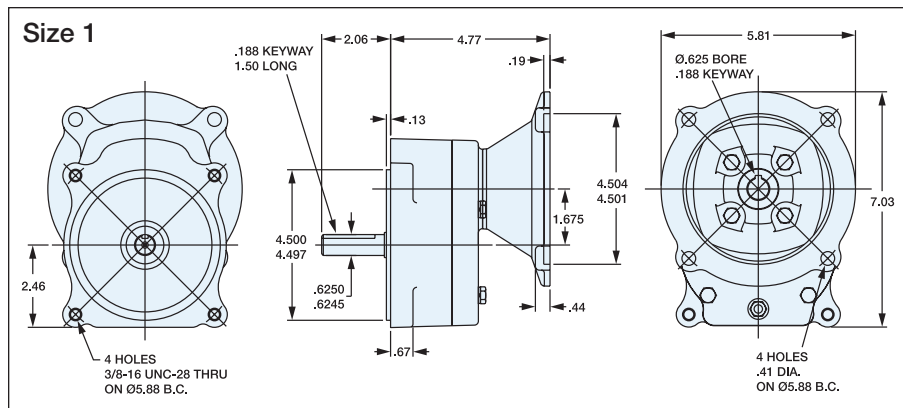


Single stage parallel shaft reducers (or speed increasers) are available from stock with NEMA C-face input and output. They increase output torque, double reduction capacity and offer greater flexibility of inventory.

Ratio	Size	Output RPM @ 1750 RPM In	Input Hp	Output Torque In. Lbs.	Input Style	Output Style	Type	Catalog Number	Shipping Weight	Approx. Oil Capacity
2	1	875	2.00	141	56C	56C	FX1-2-B5-56C	GCF2X01AA	19	4.0
3	1	583	1.65	175	56C	56C	FX1-3-B5-56C	GCF3X01AA	19	4.0
4	1	438	1.38	195	56C	56C	FX1-4-B5-56C	GCF4X01AA	19	4.0
5	1	350	1.10	194	56C	56C	FX1-5-B5-56C	GCF5X01AA	19	4.0
2	2	875	12.42	877	140TC	140TC	FX2-2-B7-140TC	GCF2X02BB	22	8.5
3	2	583	8.68	911	140TC	140TC	FX2-3-B7-140TC	GCF3X02BB	22	8.5
4	2	438	6.36	885	140TC	140TC	FX2-4-B7-140TC	GCF4X02BB	22	8.5
5	2	350	5.40	431	56C	140TC	FX2-5-B5-140TC	GCF5X02AB	22	8.5
5	2	350	5.40	431	140TC	140TC	FX2-5-B7-140TC	GCF5X02BB	22	8.5

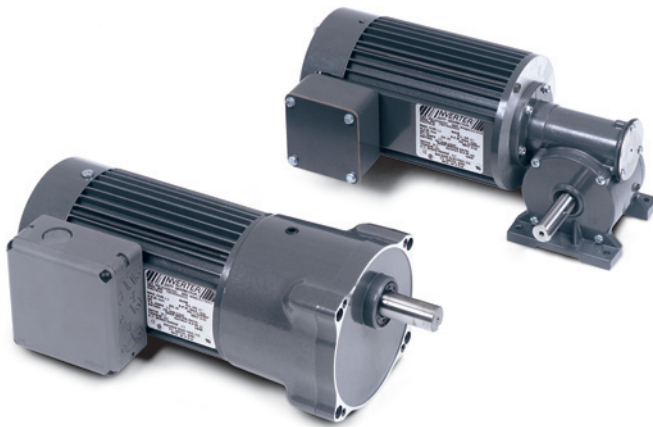
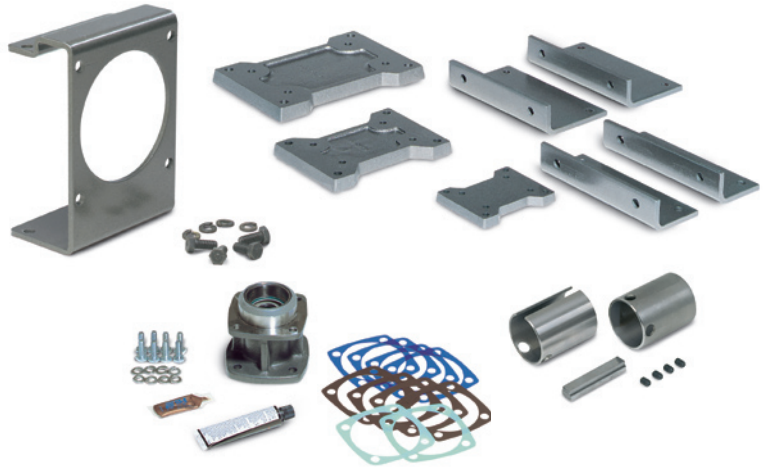


Style SX1



## REDUCER ACCESSORIES AND MODIFICATIONS

- Base kits
- Hollow shaft bushings
- Torque arm kits
- Cast iron and steel output flanges
- Tack on double reduction adapters
- Wash-down units

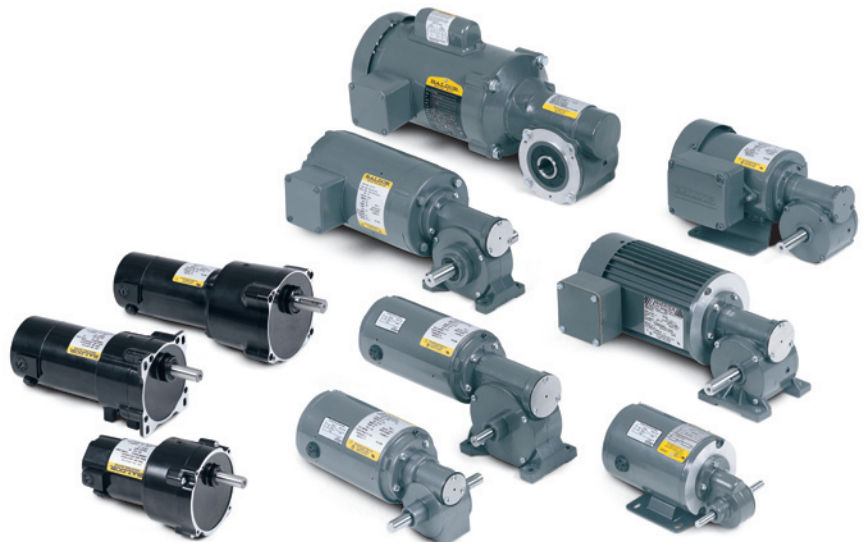


## INVERTER DUTY GEARMOTORS

Baldor's Inverter Duty Gearmotor line is rated 3/8 Hp at 230 Volt, 60 Hz, 3-Phase, with an operating range from 10-90 Hz. Available in a broad range of ratios meeting your demanding application needs.

## GEARMOTORS

- Parallel shaft gearmotors with ratios from 5:1 to over 600:1 and torques up to 1000 inch pounds
- Right angle worm gearmotors with ratios from 5:1 to over 2500:1 and torques up to 900 inch pounds
- Available in both AC and DC designs



## Contact your nearest Baldor District Office at these World Wide locations, or visit [www.baldor.com](http://www.baldor.com)

### UNITED STATES

#### ARIZONA

**PHOENIX**  
4211 S 43RD PLACE  
PHOENIX, AZ 85040  
PHONE: 602-470-0407  
FAX: 602-470-0464

#### ARKANSAS

**CLARKSVILLE**  
1001 COLLEGE AVE.  
CLARKSVILLE, AR 72830  
PHONE: 479-754-9108  
FAX: 479-754-9205

#### CALIFORNIA

**LOS ANGELES**  
6480 FLOTTILLA  
COMMERCE, CA 90040  
PHONE: 323-724-6771  
FAX: 323-721-5859

**HAYWARD**  
21066 FORBES STREET  
HAYWARD, CA 94545  
PHONE: 510-785-9900  
FAX: 510-785-9910

#### COLORADO

**DENVER**  
2520 W BARBERRY PLACE  
DENVER, CO 80204  
PHONE: 303-623-0127  
FAX: 303-595-3772

#### CONNECTICUT

**WALLINGFORD**  
65 SOUTH TURNPIKE ROAD  
WALLINGFORD, CT 06492  
PHONE: 203-269-1354  
FAX: 203-269-5485

#### FLORIDA

**TAMPA/PUERTO RICO/  
VIRGIN ISLANDS**  
3906 EAST 11TH AVENUE  
TAMPA, FL 33605  
PHONE: 813-248-5078  
FAX: 813-247-2984

#### GEORGIA

**ATLANTA**  
62 TECHNOLOGY DR.  
ALPHARETTA, GA 30005  
PHONE: 770-772-7000  
FAX: 770-772-7200

#### ILLINOIS

**CHICAGO**  
1601 FRONTENAC ROAD  
NAPERVILLE, IL 60563  
PHONE: 630-848-5100  
FAX: 630-848-5110

#### INDIANA

**INDIANAPOLIS**  
5525 W. MINNESOTA STREET  
INDIANAPOLIS, IN 46241  
PHONE: 317-246-5100  
FAX: 317-246-5110

#### IOWA

**DES MOINES**  
1800 DIXON STREET, SUITE C  
DES MOINES, IA 50316  
PHONE: 515-263-6929  
FAX: 515-263-6515

#### MARYLAND

**BALTIMORE**  
6660 SANTA BARBARA RD.  
SUITE 22-24  
ELKRIDGE, MD 21075  
PHONE: 410-579-2135  
FAX: 410-579-2677

#### MASSACHUSETTS BOSTON

6 PULLMAN STREET  
WORCESTER, MA 01606  
PHONE: 508-854-0708  
FAX: 508-854-0291

#### MICHIGAN

**DETROIT**  
33782 STERLING PONDS BLVD.  
STERLING HEIGHTS, MI 48312  
PHONE: 586-978-9800  
FAX: 586-978-9969

#### GRAND RAPIDS

668 3 MILE ROAD NW  
GRAND RAPIDS, MI 49504  
PHONE: 616-785-1784  
FAX: 616-785-1788

#### MINNESOTA

**MINNEAPOLIS**  
21080 134TH AVE. NORTH  
ROGERS, MN 55374  
PHONE: 763-428-3633  
FAX: 763-428-4551

#### MISSOURI

**ST LOUIS**  
422 INDUSTRIAL DRIVE  
MARYLAND HEIGHTS, MO 63043  
PHONE: 314-298-1800  
FAX: 314-298-7660

#### KANSAS CITY

1501 BEDFORD AVENUE  
NORTH KANSAS CITY, MO 64116  
PHONE: 816-587-0272  
FAX: 816-587-3735

#### NEW YORK

**AUBURN**  
ONE ELLIS DRIVE  
AUBURN, NY 13021  
PHONE: 315-255-3403  
FAX: 315-253-9923

#### NORTH CAROLINA

**GREENSBORO**  
1220 ROTHERWOOD ROAD  
GREENSBORO, NC 27406  
P O BOX 16500  
GREENSBORO, NC 27416  
PHONE: 336-272-6104  
FAX: 336-273-6628

#### OHIO

**CINCINNATI**  
2929 CRESCENTVILLE ROAD  
WEST CHESTER, OH 45069  
PHONE: 513-771-2600  
FAX: 513-772-2219

#### CLEVELAND

8929 FREEWAY DRIVE  
MACEDONIA, OH 44056  
PHONE: 330-468-4777  
FAX: 330-468-4778

#### OKLAHOMA

**TULSA**  
2 EAST DAWES  
BIXBY, OK 74008  
PHONE: 918-366-9320  
FAX: 918-366-9338

#### OREGON

**PORTLAND**  
20393 SW AVERY COURT  
TUALATIN, OR 97062  
PHONE: 503-691-9010  
FAX: 503-691-9012

#### PENNSYLVANIA

**PHILADELPHIA**  
1035 THOMAS BUSCH  
MEMORIAL HIGHWAY  
PENNSAUKEN, NJ 08110  
PHONE: 856-661-1442  
FAX: 856-663-6363

#### PITTSBURGH

616H BEATTY ROAD  
MONROEVILLE, PA 15146  
PHONE: 412-380-7244  
FAX: 412-380-7250

#### TENNESSEE

**MEMPHIS**  
4000 WINCHESTER ROAD  
MEMPHIS, TN 38118  
PHONE: 901-365-2020  
FAX: 901-365-3914

#### TEXAS

**HOUSTON**  
4647 PINE TIMBERS  
SUITE #135  
HOUSTON, TX 77041  
PHONE: 713-895-7062  
FAX: 713-890-4540

#### DALLAS

3040 QUEBEC  
DALLAS, TX 75247  
PHONE: 214-634-7271  
FAX: 214-634-8874

#### UTAH

**SALT LAKE CITY**  
2230 SOUTH MAIN STREET  
SALT LAKE CITY, UT 84115  
PHONE: 801-832-0127  
FAX: 801-832-8911

#### WISCONSIN

**MILWAUKEE**  
2725 SOUTH 163RD STREET  
NEW BERLIN, WI 53151  
PHONE: 262-784-5940  
FAX: 262-784-1215

#### INTERNATIONAL SALES

**FORT SMITH, AR**  
P.O. BOX 2400  
FORT SMITH, AR 72902  
PHONE: 479-646-4711  
FAX: 479-648-5895

#### CANADA

**EDMONTON, ALBERTA**  
4053-92 STREET  
EDMONTON, ALBERTA T6E 6R8  
PHONE: 780-434-4900  
FAX: 780-438-2600

#### OAKVILLE, ONTARIO

2750 COVENTRY ROAD  
OAKVILLE, ONTARIO L6H 6R1  
PHONE: 905-829-3301  
FAX: 905-829-3302

#### MONTREAL, QUEBEC

1844 WILLIAM STREET  
MONTREAL, QUEBEC H3J 1R5  
PHONE: 514-933-2711  
FAX: 514-933-8639

#### VANCOUVER, BRITISH COLUMBIA

1538 KEBET WAY  
PORT COQUITLAM, BC V3C 5M5  
PHONE: 604-421-2822  
FAX: 604-421-3113

#### WINNIPEG, MANITOBA

54 PRINCESS STREET  
WINNIPEG, MANITOBA R3B 1K2  
PHONE: 204-942-5205  
FAX: 204-956-4251

#### AUSTRALIA

UNIT 3, 6 STANTON ROAD  
SEVEN HILLS, NSW 2147,  
AUSTRALIA  
PHONE: (61) (2) 9674 5455  
FAX: (61) (2) 9674 2495

UNIT 8, 5 KELLETTS ROAD  
ROWVILLE, VICTORIA, 3178  
AUSTRALIA  
PHONE: (61) (3) 9753 4355  
FAX: (61) (3) 9753 4366

#### AMÉRICA DEL SUR

APTDO. 0818-00440  
CIUDAD DE PANAMÁ, PANAMÁ  
PHONE: +507 261-5347  
FAX: +507 261-5355

#### CENTRO AMÉRICA Y CARIBE

RESIDENCIAL PINARES DE SUIZA  
POL. 15 #44,  
NVA. SAN SALVADOR,  
EL SALVADOR  
PHONE: +503 2288-1519  
FAX: +503 2288-1518

#### CHINA

SHANGHAI JIAHUA BUSINESS  
CENTER  
ROOM NO. A-8421  
808 HONG QIAO ROAD  
SHANGHAI 200030  
PHONE: 86-21-64473060  
FAX: 86-21-64078620

#### GERMANY

DIESELSTRASSE 22  
D-85551 KIRCHHEIM  
MUNICH, GERMANY  
PHONE: +49 89 90 5080  
FAX: +49 89 90 50 8492

#### INDIA

14, COMMERCE AVENUE  
MAHAGANESH COLONY  
RAUD ROAD  
PUNE - 411 038  
MAHARASHTRA, INDIA  
PHONE: 91 20 25 45 95 31  
FAX: 91 20 25 45 95 30

#### ITALY

BALDOR ASR AG  
SUCCURSALE DI MENDRISIO  
VIA BORROMINI, 20A  
CH-6850 MENDRISIO  
SWITZERLAND  
PHONE: 0041 91 640 99 50  
FAX: 0041 91 630 26 33

#### JAPAN

DIA BLDG 802,  
2-21-1 TSURUYA-CHO,  
KANAGAWA-KU  
YOKOHAMA, 221-0835, JAPAN  
PHONE: 81-45-412-4506  
FAX: 81-45-412-4507

#### KOREA

ROOM 208-37  
INCHEON INDUSTRIAL GOODS  
CIRCULATING CENTER  
SONGHYEON 3-DONG, DONG-GU  
INCHEON, KOREA, 401-705  
PHONE: 82 32 588 3253  
FAX: 82 32 588 3254

#### MÉXICO

KM. 2.0 BLVD. AL AEROPUERTO  
LEÓN 37545, GUANAJUATO,  
MÉXICO  
PHONE: 52 477 761 2030  
FAX: 52 477 761 2010

#### MIDDLE EAST & NORTH AFRICA

VSE INTERNATIONAL CORP.  
3233 NO. ARLINGTON HEIGHTS  
SUITE 100W  
ARLINGTON HEIGHTS, IL 60004  
PHONE: 847 590 5547

#### SINGAPORE

51 KAKI BUKIT ROAD 2  
K B WAREHOUSE COMPLEX  
SINGAPORE 417863  
PHONE: (65) 6 744 2572  
FAX: (65) 6 747 1708