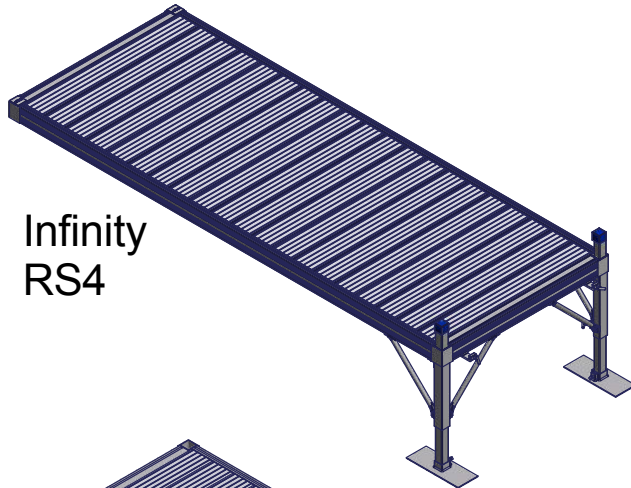


INFINITY DOCK SYSTEMS

SHOREMASTER DOCK SECTIONS

Instructions and Safety Tips



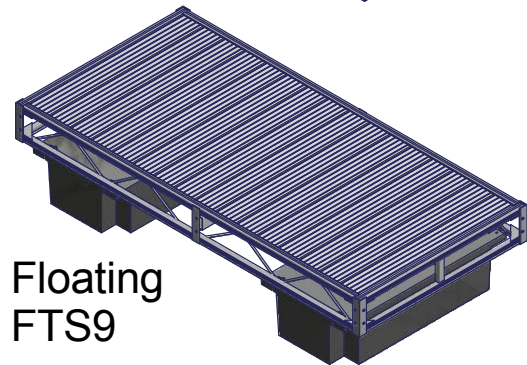
Infinity
RS4



Infinity
TS9



Infinity
RS7



Floating
FTS9

⚠ WARNING - PUT SAFETY FIRST

To prevent serious personal injury or death, study and fully understand the proper operating procedures and safety precautions outlined in this owner's manual before attempting to install or use this dock. If you have any questions about assembly, installation, use or suitability of this product, contact an authorized dealer.

- NOT COMPLYING WITH THE PROCEDURES AND PRECAUTIONS OUTLINED IN THIS MANUAL MAY RESULT IN PERSONAL INJURY OR DEATH AND WILL INVALIDATE THE WARRANTY.
- To avoid personal injury do not run on dock or dive off the dock. Running on dock could result in a falling injury. Diving off dock could result in a severe head, neck, or back injury or death. Use caution, especially when surface is wet.
- To avoid personal injury wear protective gloves, clothing and safety glasses when assembling and installing the dock.
- Do not drop parts in the water. Please remove any Leg Caps or other parts from lake bottom to avoid injury.
- Be sure your dock can be installed on a firm and stable foundation. If lake bottom does not allow for a secure installation, this product may not be suitable. ShoreMaster builds a wide variety of docks. Call your dealer for suggestions or other options.
- Install high enough above water surface, so waves do not contact Dock Frames or Panels.
- Read and fully understand each step before proceeding with that step.
- Do not assemble, install or use this product if items are missing or damaged.

Shoremaster Dock Systems

RS4 Sections

Part Numbers:

- 4 x 4 Section --- 1005988
- 4 x 10 Section - 1005986
- 4 x 12 Section - 1005987
- 6 x 8 Section --- 1005989
- Corner Frame - 1005990

RS7 Sections

Part Numbers:

- 4 x 8 Section --- 1003955
- 4 x 12 Section - 1026568
- 4 x 16 Section - 1003956
- 6 x 8 Section --- 1017105
- 6 x 16 Section - 1017106
- Corner Frame - 1005991

TS9 Sections

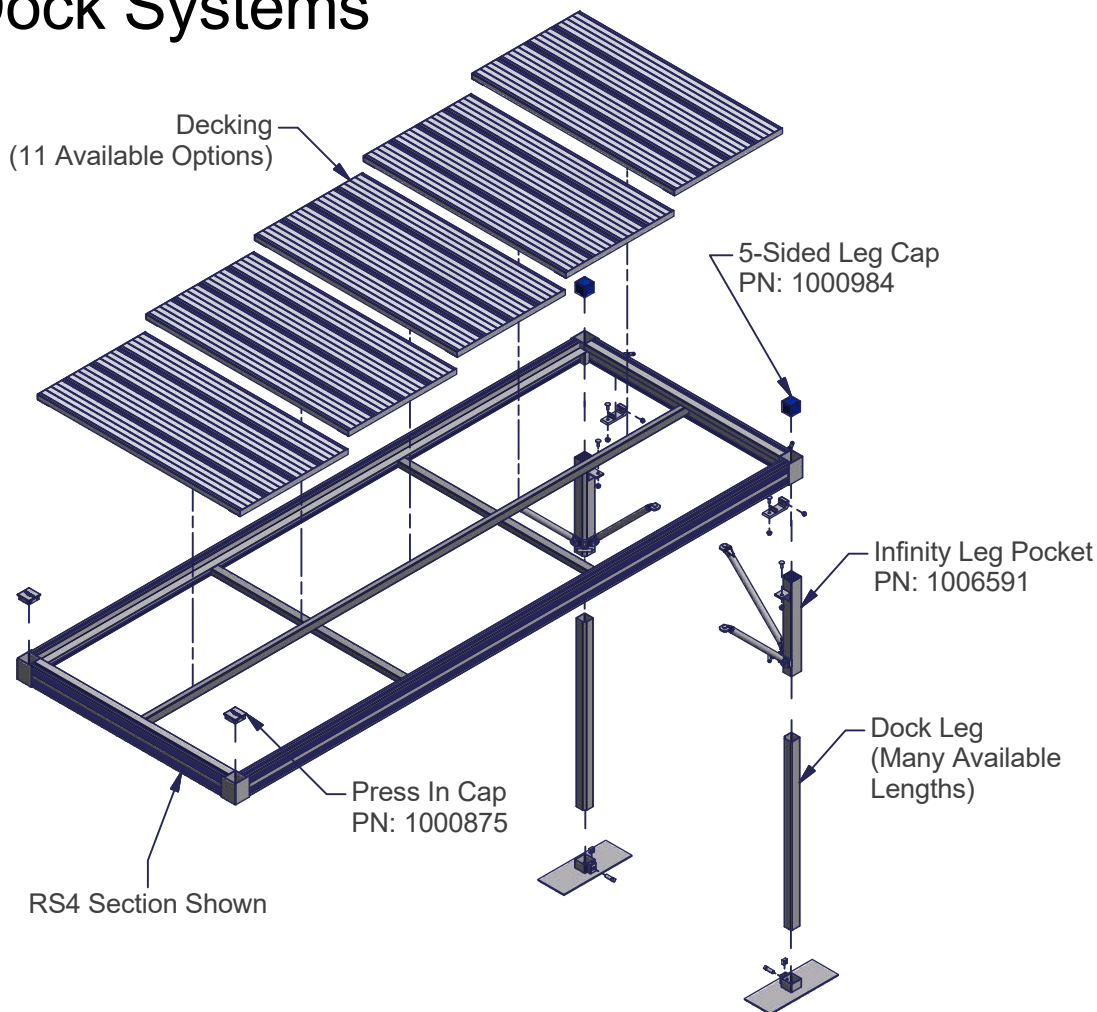
Part Numbers:

- 4 x 8 Section --- 1003959
- 4 x 16 Section - 1003958
- 6 x 8 Sections - 1017108
- 6 x 16 Section - 1003964
- Corner Frame - 1005994

FTS9

Part Numbers:

- 4 x 2 Section --- 1003701
- 4 x 4 Section --- 1003702
- 4 x 8 Section --- 1003699
- 4 x 16 Section - 1003700
- 6 x 8 Section --- 1003703
- 6 x 16 Section - 1003714



Decking Type

- Ipe Hardwood
- Traditional Woodgrain Aluminum
- Gray Oak Woodgrain Aluminum
- Tan Vertex
- Gray Vertex
- Tan Flow Through
- Gray Flow Through
- Tan Painted Aluminum
- White Painted Aluminum
- Plain Aluminum
- Cedar

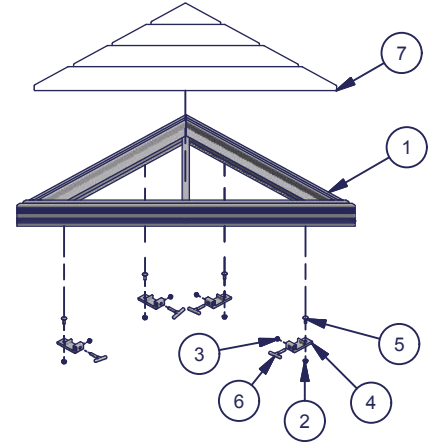
<u>Leg Posts</u>	<u>PART #</u>
3' DOCK LEG POST (each)	1003556
5' DOCK LEG POST (each)	1000157
7' DOCK LEG POST (each)	1000158
9' DOCK LEG POST (each)	1000159
12' DOCK LEG POST (each)	1000160

INFINITY DOCK SYSTEMS

RS4 Dock Corner - 3ft

Part #: 1005990

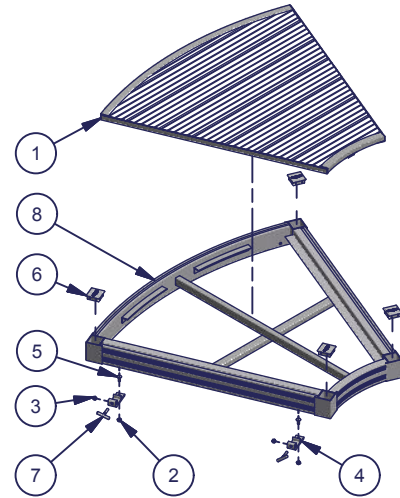
Parts List			
ITEM	QTY	PART NUMBER	DESCRIPTION
1	1	1003779	Uni-Dock Corner Frame 2005
-	1	1004427	Bolt Bag Corner RS4
2	4	1001802	Nut Flange 3/8-16 Alum
3	4	1001803	Nut Hex 3/8-16 Brass
4	4	1004651	Dock Connector - 1.5
5	4	1001956	Bolt Carriage 3/8-16 x 1.0 SS 304
6	4	1026428	T Handle .375-16 X 1.5 X 2.5
7	1	-	Corner Panel



RS4 Curved Dock - 45°

Part #: 1003953

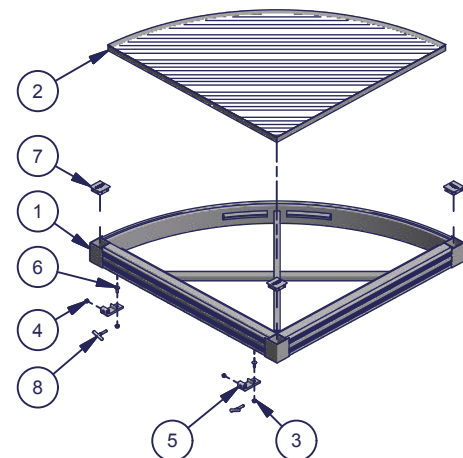
Parts List			
ITEM	QTY	PART NUMBER	DESCRIPTION
1	1	-	Panel Curve Dock 45 deg
-	1	1004426	Bolt Bag 45/90 RS4 Curve Dock
2	2	1001802	Nut Flange 3/8-16 Alum
3	2	1001803	Nut Hex 3/8-16 Brass
4	2	1004651	Dock Connector - 1.5
5	2	1001956	Bolt Carriage 3/8-16 x 1.0 SS 304
6	4	1000875	Plastic Cap w/ Logo - for Dock Pockets
7	2	1026428	T Handle .375-16 X 1.5 X 2.5
8	1	1003689	Wdmt Frame 45 Degree Curve Dock RS4



RS4 Curved Dock - 90°

Part #: 1003954

Parts List			
ITEM	QTY	PART NUMBER	DESCRIPTION
1	1	1003690	Frame 90 (RS4) Curve Dock
2	1	-	Panel Curve Dock 90 deg
-	1	1004426	Bolt Bag 45/90 RS4 Curve Dock
3	2	1001802	Nut Flange 3/8-16 Alum
4	2	1001803	Nut Hex 3/8-16 Brass
5	2	1004651	Dock Connector - 1.5
6	2	1001956	Bolt Carriage 3/8-16 x 1.0 SS 304
7	4	1000875	Plastic Cap w/ Logo - for Dock Pockets
8	2	1026428	T Handle .375-16 X 1.5 X 2.5



ASSEMBLY INSTRUCTIONS

Note: RS4 dock shown for example. Connections also apply for RS7 and TS9.

Tools needed:

1. 9/16" Wrench
2. Measuring Tape
3. Optional - Carpenter's Level

Tips:

Before assembly determine the layout of the dock system. Take depth measurements at ten foot intervals starting at where the dock will start. Have adequate dock leg lengths to accommodate water fluctuation and waves. For ease of assembly find a flat area with sufficient room to assemble dock.

STEP 1

After determining the layout of your dock system, install all leg pockets according to their instructions. The number and location of leg pockets will depend on the specific layout and the type of leg posts.

STEP 2

Attach one foot pad to each leg post. Secure leg post with one 1/2 x 1-1/4 Set screw and one 1/2 square nut per leg.

Note: Leg posts are ordered separately from dock section because of varying lengths needed.

STEP 3

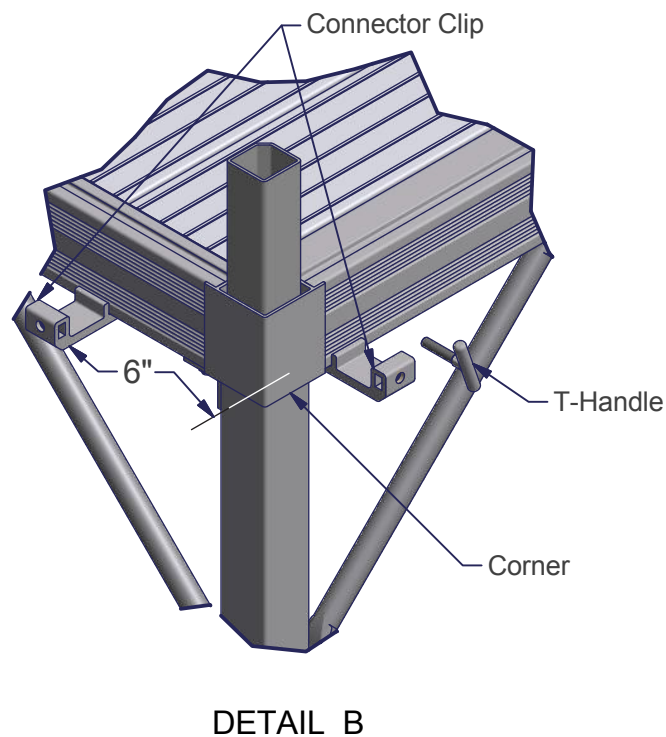
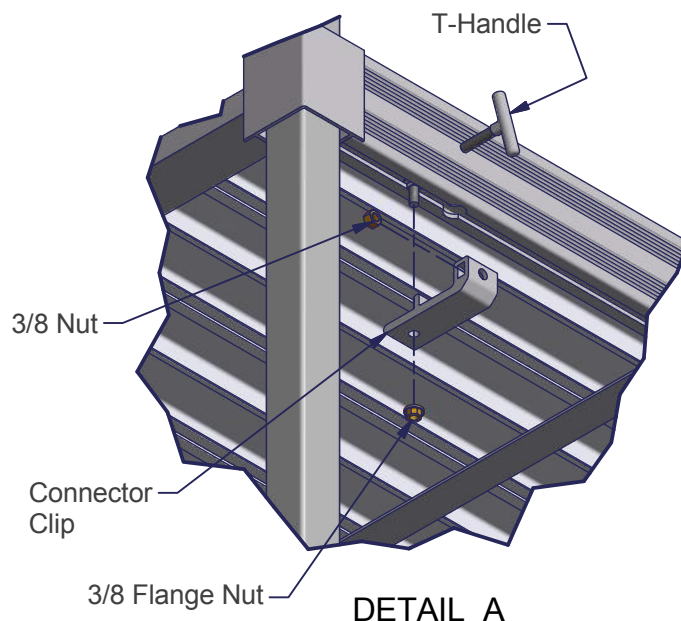
Determine which side of the dock frame will be connected to other sections. Insert one 3/8 Nut into each Connector Clip and thread the 3/8 x 1-1/2 T-Handle through it just so they stay together - as shown in Detail "A".

Attach connector clips to the rail. Secure with one 3/8 x 1 carriage bolt and one 3/8 flange nut. The carriage bolt head inserts into the opening in the bottom slot of the rail and attaches to the connector clip - as shown in Detail "A".

Place the connector clip six inches or less in from the corner - as shown in Detail "B".

NOTICE A rail six feet or less requires two connector clips. Rails greater than six feet need a third connector in the middle of the connection for proper stability.

WARNING Make sure the connector clip assembly is fully clear of the opening in the slot. If the t-handle is threaded into the opening of the slot before the dock frame is set in place, it will prevent proper securing of the dock sections and may lead to physical injury.



INFINITY DOCK SYSTEMS

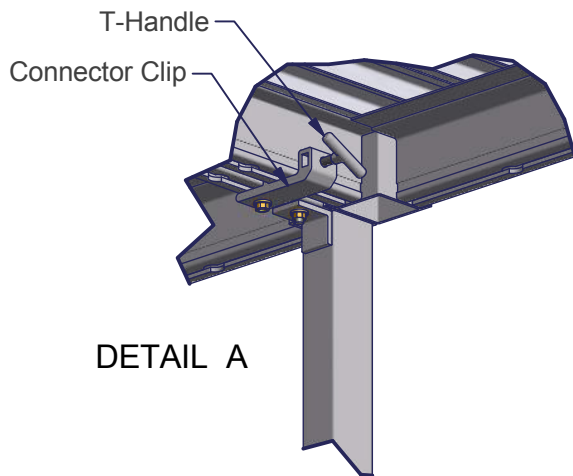
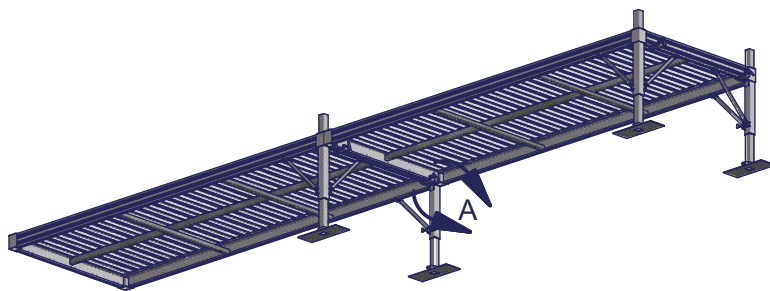
STEP 4

Now the first frame can be carried into place. Place the second frame into the connector clips of the first - as shown to the right.

⚠ WARNING To avoid personal injury the connector clips must be bolted to a dock frame that is supported by legs. The unsupported end of the attaching dock frame will set into the connector clip. If the connector clip is bolted to the dock frame that is not supported by legs the dock section may come loose and fall, causing injury.

Secure by tightening the 3/8 x 1-1/2 T-Handle - as shown in Detail "A".

Note: Two connector clips are needed if connecting to an end rail. Three are needed if connecting two side rails together.



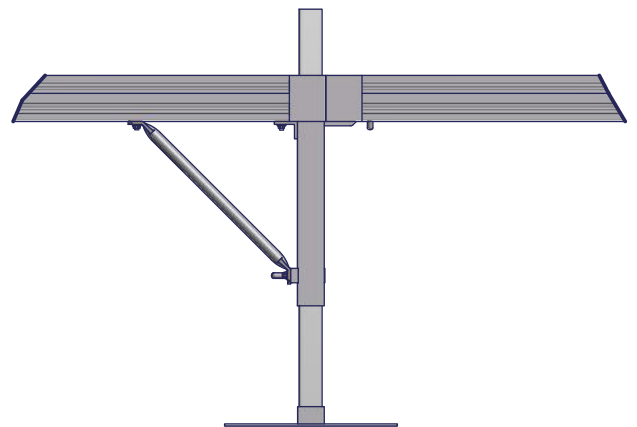
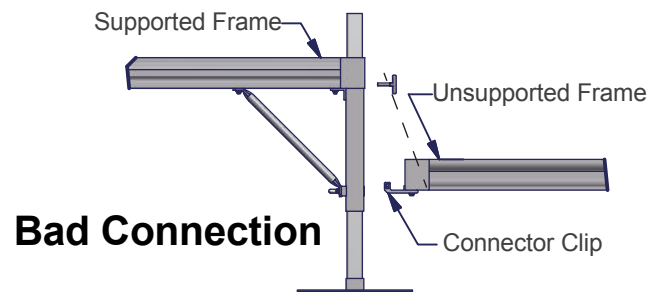
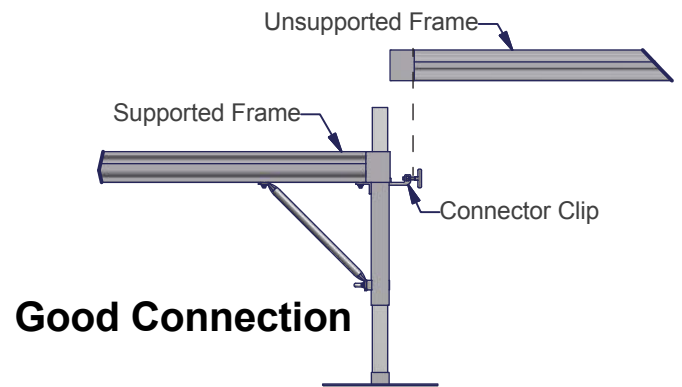
STEP 5

When all dock frames are in place, adjust the level of the dock sections as needed using the adjustable leg posts.

Note: Make sure there is enough clearance for water fluctuation and wave action.

Fully tighten all Nuts and Bolts.

Note: Do not over tighten set screws. Over tightening of set screws will result in bending or breaking of parts.

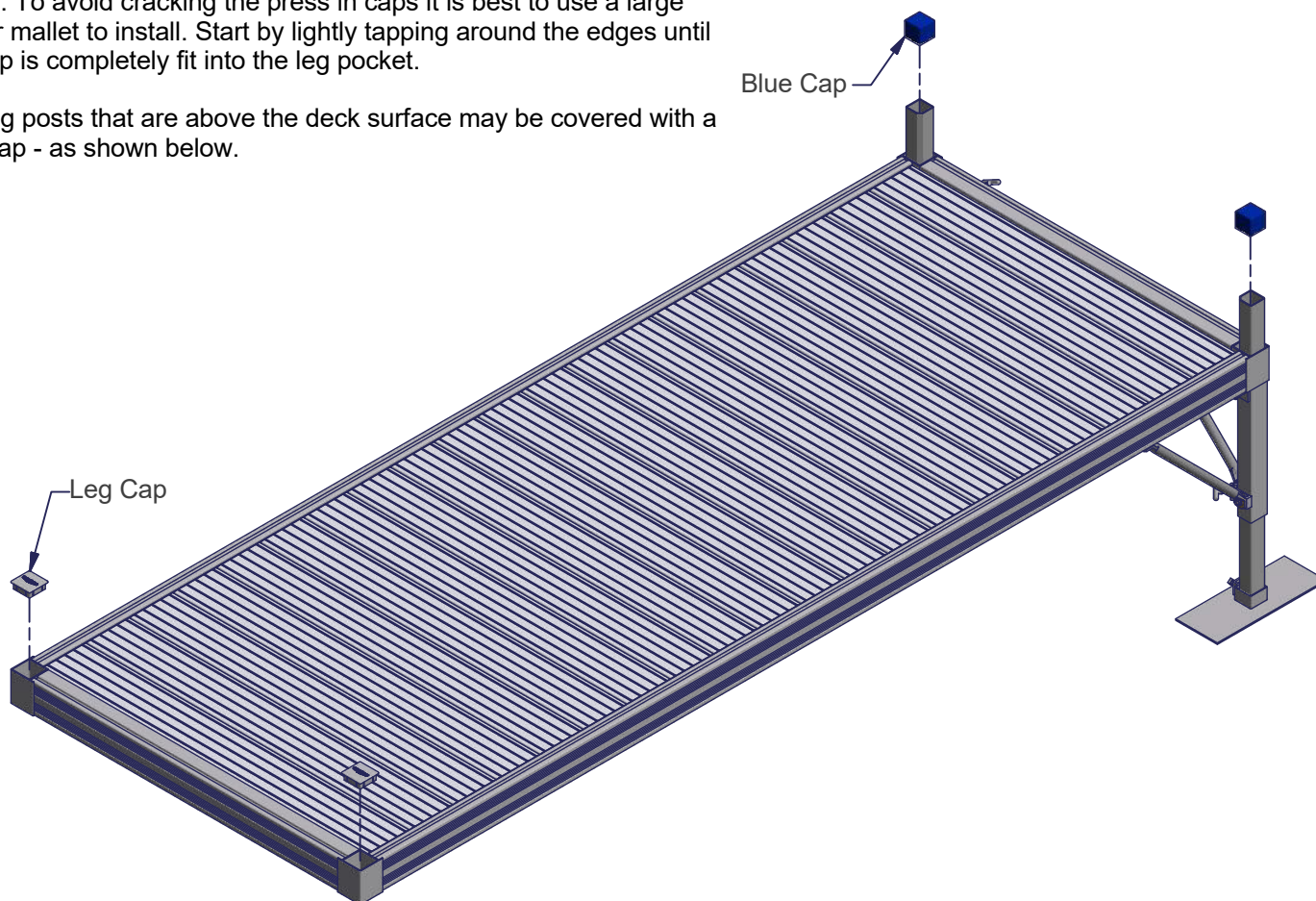


STEP 6

Leg caps are included for each corner tube that is not used or does not have a leg post above the deck surface - as shown below.

NOTE: To avoid cracking the press in caps it is best to use a large rubber mallet to install. Start by lightly tapping around the edges until the cap is completely fit into the leg pocket.

The leg posts that are above the deck surface may be covered with a blue cap - as shown below.



USE, REMOVAL, STORAGE AND SERVICE

•Upon completed installation, your dock system is ready for use. **Many ShoreMaster dock accessories are available to compliment your dock system.** Contact your dealer for available options.

NOTICE The dock system must be removed from water during the winter months. Warranty is void if dock is exposed to ice conditions.

•You may remove each frame with panels in place, or you can remove the panels before detaching the frames. Stack panels on a flat surface, and store them in a dry area to preserve life.

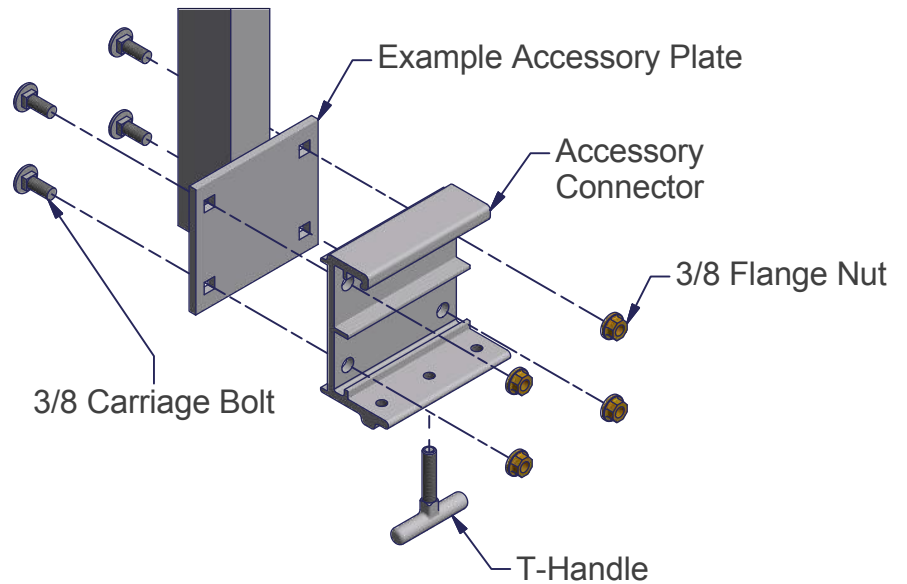
•Inspect frames, panels, connections, nuts, and bolts at least once every six months for damage, wear or loose connections. Tighten or replace parts as needed.

•ShoreMaster dealers usually offer service visits. Please contact them if you are unable or unwilling to perform service to docks.

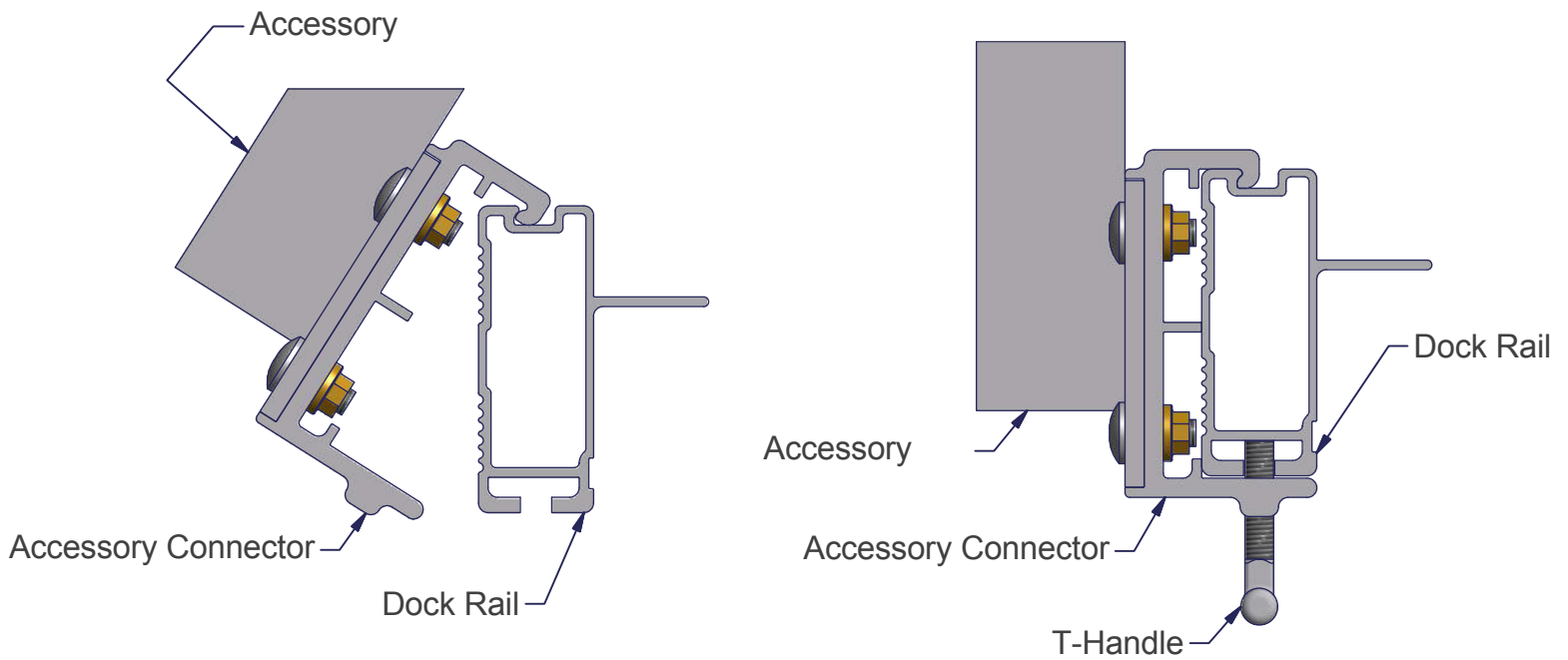
Accessory Connection System

The RS4, RS7, TS9, and FTS9 ShoreMaster dock systems have many accessory options. Contact your dealer or visit www.shopshoremaster.com to purchase available accessories.

The accessory connection system works by utilizing a built in connection system on the dock frame and accessory connectors to securely fasten any accessory to the dock. There are three accessory connectors available. One for RS4, one for RS7, and one for the TS9 and FTS9. The accessory connectors come with four carriage bolts and flange nuts to secure the accessory to the accessory connector.

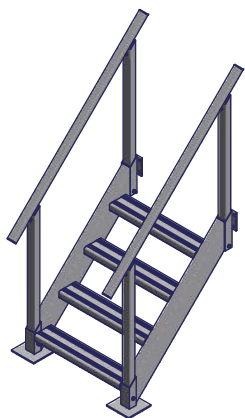


Installation is quick and easy. Simply secure the accessory connector to the accessory plate using the provided carriage bolts and flange nuts. Slip the top flange of the accessory connector into the top slot on the dock frame and hinge so it is tight against the dock frame. Thread the provided t-handle into the bottom of the connector so that the t-handle locks into the slot in the bottom of the dock frame.

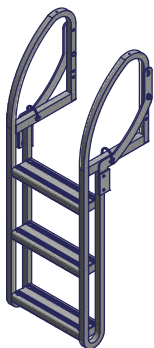


Common Dock Accessories

(More Options Available)



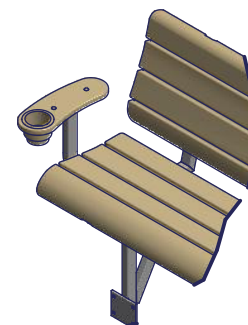
Dock Steps



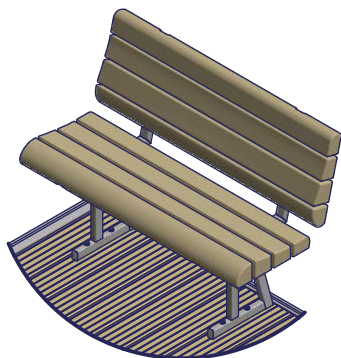
Pivoting Ladder



LakeView Rhino Bench (Off Deck)



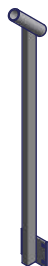
LakeView Bench Armrest



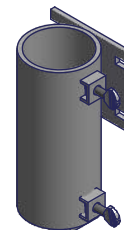
LakeView Rhino Bench (On Deck)



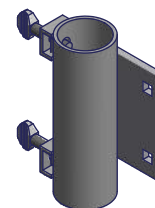
Vertical Bumper



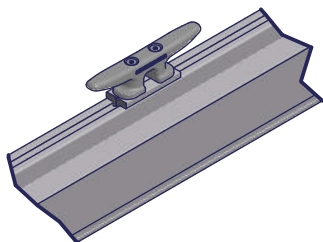
Fishing Rod Holder



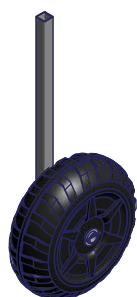
Flagpole Holder



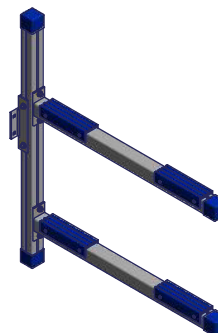
Umbrella Holder



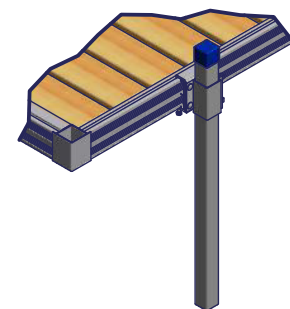
Cleat Kit



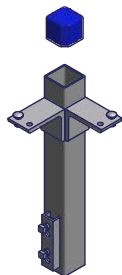
Wheel/Axle Adapter for 2 x 2 Dock Legs



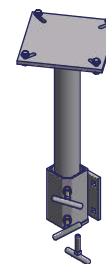
Canoe/Kayak Rack



Leg Pocket Add-On Bracket



Single Leg Pocket



Furniture Hardware Box