

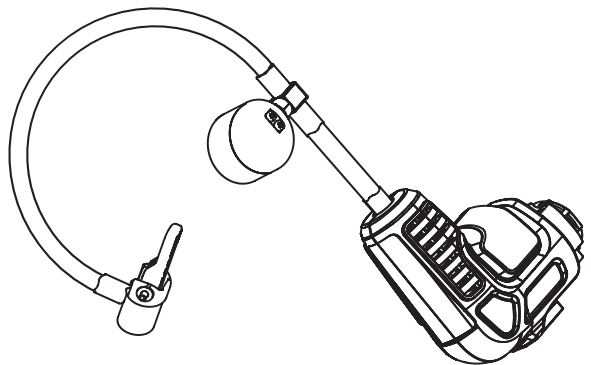
BLACK & DECKER®

MATRIX™

INFLATOR ATTACHMENT

INSTRUCTION MANUAL

**Catalog Number
BDCMTHPI**



**Thank you for choosing Black & Decker!
Go to www.BlackandDecker.com/NewOwner
to register your new product.**

**PLEASE READ BEFORE RETURNING THIS
PRODUCT FOR ANY REASON:**

If you have a question or experience a problem with your Black & Decker purchase, go to
[HTTP://WWW.BLACKANDDECKER.COM/INSTANTANSWERS](http://www.blackanddecker.com/instantanswers)

If you can't find the answer or do not have access to the Internet,
call 1-800-544-6986 from 8 a.m. to 5 p.m. EST Mon. -- Fri. to speak with an agent.
Please have the catalog number available when you call.

SAVE THIS MANUAL FOR FUTURE REFERENCE.

VEA EL ESPAÑOL EN LA CONTRAPORTADA.

INSTRUCTIVO DE OPERACIÓN, CENTROS DE SERVICIO Y PÓLIZA DE GARANTÍA.
ADVERTENCIA: LÉASE ESTE INSTRUCTIVO ANTES DE USAR EL PRODUCTO.

⚠ WARNING: Read all safety warnings and all instructions. *Failure to follow the warnings and instructions may result in electric shock, fire and/or serious injury.*

Save all warnings and instructions for future reference.

⚠ WARNING: Read all safety warnings and all instructions provided with your Power Unit (BDCDMT112, BDCDMT120, or BDEDMT) before using this attachment. *Failure to follow the warnings and instructions may result in electric shock, fire and/or serious injury.*

SPECIFIC SAFETY RULES

FOR HOME USE ONLY:

• Inflate bike tires, balls, rafts, swimming pool floats, air mattresses, and more in and around the home. Recommended maximum continuous duty at 65 psi is 2 minutes on with 5 minutes off.

⚠ WARNING: Risk to breathing.

• **The compressed air from your inflator is not safe for breathing.** Never inhale air from your inflator or from a breathing device connected to the inflator.

⚠ WARNING: Risk of bursting.

• **Too much air pressure causes a hazardous risk of bursting.** Check the manufacturer's maximum pressure rating for objects being inflated.

• **Do not leave inflator running unattended.** It could burst tires or other items.

⚠ WARNING: Risk of unsafe operation.

• **Do not modify or attempt to repair.** Never drill into, weld, or make any modifications to the inflator or its attachments.

• **Operate only with the accessories included or air handling parts acceptable for not less than 170 psi.** The use of any accessory not recommended for use with this tool could be hazardous.

• **Never "horseplay."** High pressure air is dangerous. Don't direct air-flow at yourself or others.

⚠ WARNING: Always leave the valve adaptor lever open when not in use.

⚠ WARNING: RISK OF FIRE:

• **Inflator can become hot during use.** Allow inflator to cool 30 minutes before storing away.

California Proposition 65

⚠ WARNING: This product or its power cord contains lead, a chemical known to the State of California to cause cancer and birth defects or other reproductive harm. Wash hands after handling.

SYMBOLS

The label on your tool may include the following symbols. The symbols and their definitions are as follows:

V.....volts

Hz.....hertz

minminutes

— —direct current

ⓁClass I Construction
(grounded)

ⓂClass II Construction
(double insulated)

📖Read instruction manual before use

👁Use proper eye protection

A.....amperes

W.....watts

~alternating current

n_0 no load speed

Ⓧearthing terminal

⚠safety alert symbol

.../min or rpm...revolutions or
reciprocation per minute

👤Use proper respiratory protection

👂Use proper hearing protection

- When using an extension cord, be sure to use one heavy enough to carry the current your product will draw. An undersized cord will cause a drop in line voltage resulting in loss of power and overheating. The following table shows the correct size to use depending on cord length and nameplate ampere rating. If in doubt, use the next heavier gauge. The smaller the gauge number, the heavier the cord.

Volts	Minimum Gauge for Cord Sets			
	Total Length of Cord in Feet			
120V	0-25	26-50	51-100	101-150
	(0-7,6m)	(7,6-15,2m)	(15,2-30,4m)	(30,4-45,7m)
240V	0-50	51-100	101-200	201-300
	(0-15,2m)	(15,2-30,4m)	(30,4-60,9m)	(60,9-91,4m)

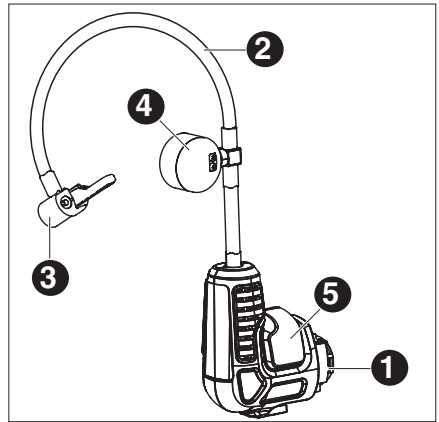
Ampere Rating		American Wire Gauge			
More Than	Not more Than				
0 - 6	6	18	16	16	14
6 - 10	10	18	16	14	12
10 - 12	12	16	16	14	12
12 - 16	16	14	12	Not Recommended	

SAVE THESE INSTRUCTIONS

FUNCTIONAL DESCRIPTION

- Inflator attachment
- Air hose
- Universal valve adaptor
- Pressure gauge
- Accessory storage compartment

Not shown:
 Needle nozzle
 Beach ball nozzle



OPERATING INSTRUCTIONS

⚠ WARNING: Risk of Bursting. Too much air pressure causes a hazardous risk of bursting. Check the manufacturer's maximum pressure rating for objects being inflated.

⚠ CAUTION: The air hose does not detach from the inflator attachment. Do not attempt to service or modify the air hose.

⚠ WARNING: Shock hazard. Under no circumstances should this product be used near water.

⚠ WARNING: Risk of lacerations or burns. Do not touch work piece or accessory immediately after operating the tool. They can become very hot. Handle carefully. Always allow accessories and work piece to cool before handling.

⚠ WARNING: To reduce the risk of injury, turn off and remove battery from tool or disconnect plug from power source before making any adjustments or removing or installing attachments or accessories. Remove any accessory from the attachment before removing or installing the attachment.

NOTE: Refer to Power Unit instruction manual before operating this tool for all safety warnings and details on installing and removing attachments.

INFLATING

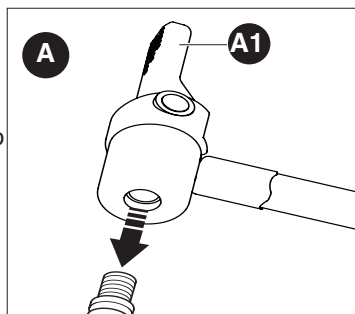
- To switch the tool on, press the variable speed switch on the power unit. The tool speed depends on how far you press the switch.
- To switch the tool off, release the variable speed switch.

NOTE: This attachment only operates in the forward direction, the forward/reverse slider of the Power Unit should not be able to be switch to reverse.

VALVE ADAPTOR

- Position the lever (A1) of the valve adaptor straight up. Push the valve adaptor down over the threaded section of the valve stem, or over one of the accessories provided with your inflator as show in **Figure A**.
- When the adaptor is down all the way, press the lever down to lock it in place.
- To release the adaptor from valve stem or accessory nozzles, lift the lever straight up and pull the adaptor off.
- Operate your Inflator only with the nozzles included.
- Make sure that the universal valve adaptor lever is firmly locked down in place before turning the Inflator on.

NOTE: Many inflatables, especially air mattresses, have an internal flap that prevents air loss during inflation. Unless this flap is displaced by the nozzle the mattress will not inflate. Push the nozzle firmly into the valve to ensure that you push this flap out of the way.



HOSE AND PRESSURE GAUGE

NOTE: Never carry the inflator by the hose.

- The pressure gauge, which is located on the hose, will give a pressure reading in P.S.I. (pounds per square inch) as well as in Bar.
- In the case of tire inflating, it is recommended that the pressure reading be verified by checking with a separate tire gauge.
- To obtain a more accurate pressure measurement, turn the Inflator OFF when reading the gauge.

⚠ WARNING: Do not leave inflator running unattended. It could burst tires or other items.

NOZZLE USAGE

- Place the valve adaptor over the stem of the nozzle as indicated in the “Valve Adaptor” section above.
- Place the needle nozzle or beach ball nozzle into the object to be inflated.
- When finished, remove the nozzle from the valve adaptor and store in the accessory storage compartment.

TROUBLESHOOTING

<u>Problem</u>	<u>Possible Cause</u>	<u>Possible Solution</u>
• Unit will not start.	• Attachment is not secured.	• Make certain the attachment is fully pushed into the Power Unit.

For assistance with your product, visit our website www.blackanddecker.com for the location of the service center nearest you or call the BLACK & DECKER help line at **1-800-544-6986**.

NOTE: Refer to Power Unit instruction manual for troubleshooting solutions regarding operation of the Power Unit.

MAINTENANCE

Use only mild soap and damp cloth to clean the tool. Never let any liquid get inside the tool; never immerse any part of the tool into a liquid.

IMPORTANT: To assure product SAFETY and RELIABILITY, repairs, maintenance and adjustment (other than those listed in this manual) should be performed by authorized service centers or other qualified service personnel, always using identical replacement parts.

ACCESSORIES

⚠ WARNING: The use of any accessory not recommended for use with this tool could be hazardous.

Recommended accessories for use with your tool are available from your local dealer or authorized service center. If you need assistance regarding accessories, please call: 1-800-544-6986.

This device complies with part 15 of the FCC rules. Operation is subject to the following two conditions: (1) This device may not cause harmful interference, and (2) this device must accept any interference received, including interference that may cause undesired operation.

NOTE: This equipment has been tested and found to comply with the limits for a Class B digital device, pursuant to Part 15 of the FCC Rules. These limits are designed to provide reasonable protection against harmful interference in a residential installation. This equipment generates, uses and can radiate radio frequency energy and, if not installed and used in accordance with the instructions, may cause harmful interference to radio communications. However, there is no guarantee that interference will not occur in a particular installation.

If this equipment does cause harmful interference to radio or television reception, which can be determined by turning the equipment off and on, the user is encouraged to try to correct the interference by one or more of the following measures:

- Reorient or relocate the receiving antenna.
- Increase the separation between the equipment and receiver.
- Connect the equipment into an outlet on a circuit different from that to which the receiver is connected.
- Consult the dealer or an experienced radio/TV technician for help.

Changes or modifications to this unit not expressly approved by the party responsible for compliance could void the user's authority to operate the equipment. This Class B digital apparatus complies with Canadian ICES-003.

SERVICE INFORMATION

All Black & Decker Service Centers are staffed with trained personnel to provide customers with efficient and reliable power tool service. Whether you need technical advice, repair, or genuine factory replacement parts, contact the Black & Decker location nearest you. To find your local service location, refer to the yellow page directory under "Tools—Electric" or call: **1-800-544-6986** or visit www.blackanddecker.com

FULL TWO-YEAR HOME USE WARRANTY

Black & Decker (U.S.) Inc. warrants this product for two years against any defects in material or workmanship. The defective product will be replaced or repaired at no charge in either of two ways. The first, which will result in exchanges only, is to return the product to the retailer from whom it was purchased (provided that the store is a participating retailer). Returns should be made within the time period of the retailer's policy for exchanges (usually 30 to 90 days after the sale). Proof of purchase may be required. Please check with the retailer for their specific return policy regarding returns that are beyond the time set for exchanges.

The second option is to take or send the product (prepaid) to a Black & Decker owned or authorized Service Center for repair or replacement at our option. Proof of purchase may be required. Black & Decker owned and authorized Service Centers are listed under "Tools-Electric" in the yellow pages of the phone directory.

This warranty does not apply to accessories. This warranty gives you specific legal rights and you may have other rights which vary from state to state or province to province. Should you have any questions, contact the manager of your nearest Black & Decker Service Center. This product is not intended for commercial use.

FREE WARNING LABEL REPLACEMENT: If your warning labels become illegible or are missing, call **1-800-544-6986** for a free replacement.

LATIN AMERICA: This warranty does not apply to products sold in Latin America. For products sold in Latin America, check country specific warranty information contained in the packaging, call the local company or see the website for warranty information.

Imported by:
Black & Decker (U.S.) Inc.,
701 E. Joppa Rd.
Towson, MD 21286 U.S.A.

See 'Tools-Electric'
– Yellow Pages –
for Service & Sales



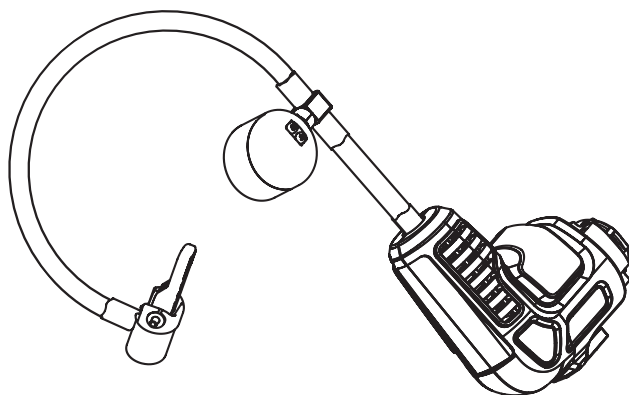
BLACK&DECKER®

MATRIX™

MODULE DE GONFLEUR

MODE D'EMPLOI

N° de catalogue
BDCMTHPI



**Merci d'avoir choisi Black & Decker!
Consulter le site Web [www.BlackandDecker.com/
NewOwner](http://www.BlackandDecker.com/NewOwner) pour enregistrer votre nouveau produit.**

À LIRE AVANT DE RETOURNER CE PRODUIT POUR QUELQUE RAISON QUE CE SOIT :

Si des questions ou des problèmes surgissent après l'achat d'un produit Black & Decker,
consulter le site Web

[HTTP://WWW.BLACKANDDECKER.COM/INSTANTANSWERS](http://www.blackanddecker.com/instantanswers)

Si la réponse est introuvable ou en l'absence d'accès à Internet, composer le
1-800-544-6986 de 8 h à 17 h HNE, du lundi au vendredi, pour parler avec un agent.

Prière d'avoir le numéro de catalogue sous la main lors de l'appel.

CONSERVER CE MANUEL POUR UN USAGE ULTÉRIEUR.

⚠ AVERTISSEMENT : Lire tous les avertissements de sécurité et toutes les directives. Le non-respect des avertissements et des directives pourrait se solder par un choc électrique, un incendie et/ou une blessure grave.

Conserver tous les avertissements et toutes les directives pour un usage ultérieur.

⚠ AVERTISSEMENT : Lire tous les avertissements de sécurité et toutes les directives fournies avec le bloc d'alimentation (BDCDMT112, BDCDMT120 ou BDEDMT) avant d'utiliser l'accessoire. Le non-respect des avertissements et des directives peut entraîner des risques de décharge électrique, d'incendie ou de blessures graves.

AUTRES AVERTISSEMENTS DE SÉCURITÉ CONCERNANT LE DISPOSITIF DE GONFLAGE

POUR USAGE DOMESTIQUE SEULEMENT :

- Gonfler les pneus de vélo, les ballons, les radeaux, les flotteurs de piscine, les matelas pneumatiques et davantage dans la maison et autour de celle-ci. Le service continu maximal recommandé à 65 lb/po2 (psi) est de 2 minutes avec une interruption de 5 minutes.

⚠ AVERTISSEMENT! RISQUE D'INHALATION :

- **Il est dangereux de respirer l'air comprimé sortant du dispositif de gonflage.** Ne jamais inhaler l'air provenant de votre appareil de gonflage ou d'un appareil respiratoire raccordé à celui-ci.

⚠ AVERTISSEMENT! RISQUE D'ÉCLATEMENT :

- **Trop de pression d'air cause un risque sérieux d'éclatement.** Vérifier la capacité de pression maximale indiquée par le fabricant pour les objets à gonfler.
- **Ne pas laisser le dispositif de gonflage fonctionner sans supervision.** Il risque de faire éclater des pneus ou d'autres objets.

⚠ AVERTISSEMENT! RISQUE D'UTILISATION DANGEREUSE :

- **Ne pas modifier ou tenter de réparer cet appareil.** Ne jamais percer, souder ou modifier l'appareil ou ses accessoires.
- **Faire fonctionner seulement avec les accessoires inclus ou des pièces de circulation d'air pouvant accommoder une pression supérieure à 170 lb/po2 (psi).** L'utilisation de tout accessoire non recommandé avec cet outil pourrait s'avérer dangereuse.
- **Ne jamais chahuter brutalement le dispositif de gonflage.** L'air sous haute pression est dangereux. Ne pas diriger le débit d'air vers soi ou les autres.

⚠ AVERTISSEMENT! RISQUE D'INCENDIE :

- **Le dispositif de gonflage peut devenir chaud durant son utilisation.** Le laisser refroidir durant 30 minutes avant de le ranger.

Article 65 de la Californie

⚠ AVERTISSEMENT! Ce produit ou son cordon d'alimentation contient du plomb, un élément chimique reconnu par l'État de la Californie pour causer le cancer ainsi que des anomalies congénitales ou d'autres problèmes liés aux fonctions reproductrices. Se laver les mains après toute manipulation.

SYMBOLES

- L'étiquette apposée sur votre outil pourrait comprendre les symboles suivants. Les symboles et leurs définitions sont indiqués ci-après :

V volts

Hz hertz

min minutes

— courant continu

Ⓜ Construction de classe I
(mis à la terre)

□ Construction de classe II

.../min tours à la minute

📖 Lire le mode d'emploi avant l'utilisation

👤 Utiliser une protection respiratoire adéquate.

👁 Utiliser une protection oculaire adéquate.

👂 Utiliser une protection auditive adéquate.

A ampères

W watts

~ courant alternatif

n_o sous vide

⊕ borne de mise à la minute

⚠ symbole d'avertissement

- En cas d'utilisation d'une rallonge, s'assurer que les valeurs nominales de la rallonge utilisée correspondent bien à celles de l'outil alimenté. L'usage d'une rallonge de calibre insuffisant causera une chute de tension entraînant perte de puissance et surchauffe. Le tableau ci-dessous illustre les calibres à utiliser selon la longueur de rallonge et l'intensité nominale indiquée sur la plaque signalétique. En cas de doutes, utiliser le calibre suivant. Plus le calibre est petit, plus la rallonge peut supporter de courant.

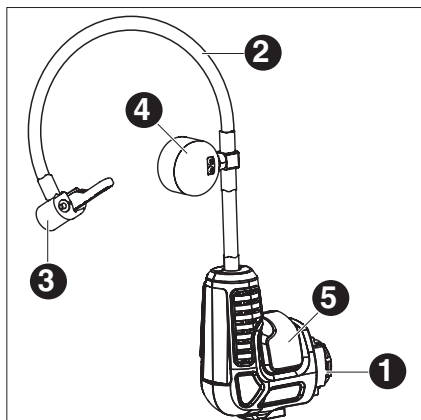
		Calibre minimal des cordons de rallonge			
Tension		Longueur totale du cordon en pieds			
120V	0-25	26-50	51-100	101-150	
	(0-7,6m)	(7,6-15,2m)	(15,2-30,4m)	(30,4-45,7m)	
240V	0-50	51-100	101-200	201-300	
	(0-15,2m)	(15,2-30,4m)	(30,4-60,9m)	(60,9-91,4m)	
Intensité (A)		Calibre moyen des fils (AWG)			
Au moins	Au plus				
0 - 6	18	16	16	14	14
6 - 10	18	16	14	12	12
10 - 12	16	16	14	12	12
12 - 16	14	12	Non recommandé		

CONSERVER CES DIRECTIVES

DESCRIPTION FONCTIONNELLE

1. Module de gonfleur
2. Tuyau d'air
3. Adaptateur de valve universelle
4. Manomètre
5. Compartiment pour l'entreposage des accessoires

Non illustré :
Buse à aiguille
Buse pour ballon de plage



FONCTIONNEMENT

⚠ **AVERTISSEMENT : Risque d'éclatement.** Trop de pression d'air cause un risque sérieux d'éclatement. Vérifier la capacité de pression maximale indiquée par le fabricant pour les objets à gonfler.

⚠ **MISE EN GARDE :** Le tuyau d'air ne se détache pas du module de gonfleur. Ne pas tenter de réparer ou de modifier le tuyau d'air.

⚠ **AVERTISSEMENT : Risque de choc électrique.** L'outil ne doit être utilisé près de l'eau en aucun temps.

⚠ **AVERTISSEMENT : Risque de lacérations ou de brûlures.** Ne pas toucher à la pièce ou à la lame immédiatement après avoir utilisé l'outil. En effet, elles peuvent devenir très chaudes. À manipuler avec précaution. Toujours laisser refroidir les accessoires et la pièce avant de les manipuler.

⚠ **AVERTISSEMENT : Pour réduire le risque de blessures,** éteindre l'outil et en retirer le bloc-piles ou débrancher la fiche de l'alimentation avant d'effectuer tout réglage ou de retirer ou d'installer tout module ou accessoire. Retirer tout accessoire du module avant le retrait ou l'installation du module.

REMARQUE : Consulter le mode d'emploi du bloc d'alimentation avant d'utiliser l'outil pour connaître tous les avertissements de sécurité et les détails au sujet de l'installation et du retrait des modules.

GONFLAGE

• Pour mettre l'outil en marche, appuyer sur la **détente à vitesse variable**. La vitesse de l'outil varie selon la pression qu'on exerce sur la détente.

• Pour éteindre l'outil, relâcher la détente à vitesse variable.

REMARQUE : Ce module ne fonctionne que vers l'avant. Le commutateur coulissant avant/arrière du bloc d'alimentation ne devrait pas être capable de commuter vers l'arrière.

ADAPTATEUR DE VALVE

• Positionner le levier de l'adaptateur de valve (A1) à la verticale. Enfoncer l'adaptateur de valve sur la partie fileté de la tige de valve ou sur un des accessoires fournis avec le dispositif de gonflage (**Figure A**).

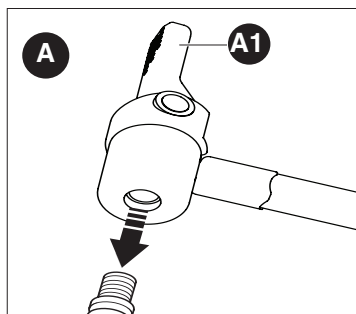
• Une fois l'adaptateur bien enfoncé sur la partie fileté, rabaisser le levier avec votre doigt pour le bloquer en place.

• Pour dégager l'adaptateur de la tige de valve ou des buses, relever le levier et retirer l'adaptateur.

• Faire fonctionner l'appareil uniquement avec les buses incluses.

• S'assurer que l'adaptateur de valve universel est bien verrouillé en place avant d'allumer le dispositif de gonflage.

REMARQUE : bon nombre d'objets gonflables, surtout les matelas pneumatiques, sont pourvus d'un rabat interne qui empêche la perte d'air durant l'opération de gonflage. À moins que le rabat ne soit déplacé par la buse, le matelas ne se gonflera pas. Bien enfoncer la buse dans la valve pour s'assurer que le rabat a été déplacé.



TUYAU ET MANOMÈTRE

⚠ **MISE EN GARDE : ne jamais transporter le dispositif de gonflage par son tuyau.**

• Le manomètre, logé au sommet du dispositif de gonflage, donnera une lecture de la pression en livre par pouce carré (PSI) ainsi qu'en Bar.

• Pour le gonflement de pneus, nous vous recommandons de vérifier la lecture de pression en utilisant un autre manomètre à pneus.

• Pour obtenir une mesure de pression exacte, éteindre le dispositif de gonflage au moment de lire le manomètre.

⚠ **AVERTISSEMENT : ne pas laisser le dispositif de gonflage fonctionner sans supervision.** Il risque de faire éclater des pneus ou d'autres objets.

UTILISATION D'UNE BUSE

• Placer l'adaptateur de valve sur la tige de la buse, comme l'indique la section « Adaptateur de valve » ci-dessus.

- Placer la buse à aiguille ou la buse pour ballon de plage dans l'objet à gonfler.
- Une fois la tâche terminée, retirer la buse de l'adaptateur de valve et la ranger dans le compartiment pour l'entreposage des accessoires.

DÉPANNAGE

Problème

• L'appareil refuse de démarrer

Cause possible

• Le module n'est pas solidement fixé.

Solution possible

• S'assurer que le module est poussé entièrement dans le bloc d'alimentation.

Pour de l'aide avec l'outil, consulter notre site Web www.blackanddecker.com pour l'emplacement du centre de réparation le plus près ou communiquer avec l'assistance BLACK & DECKER au **1-800-544-6986**.

REMARQUE : Consulter le mode d'emploi du bloc d'alimentation pour trouver des solutions de dépannage en cas de défaut de fonctionnement.

ENTRETIEN

Nettoyer l'outil seulement à l'aide d'un savon doux et d'un linge humide. Ne laisser aucun liquide s'infiltrer dans l'outil et ne jamais immerger l'outil.

IMPORTANT : Pour assurer la SÉCURITÉ D'EMPLOI et la FIABILITÉ de l'outil, n'en confier la réparation, l'entretien et les rajustements qu'à un centre de service ou à un atelier d'entretien autorisé n'utilisant que des pièces de rechange identiques.

ACCESSOIRES

⚠ AVERTISSEMENT : L'utilisation de tout accessoire non recommandé pour l'outil peut être dangereuse.

Les détaillants et le centre de service de la région vendent les accessoires recommandés pour l'outil. Pour trouver un accessoire, composer le **1 800 544-6986**.

Cet appareil est conforme aux dispositions du paragraphe 15 des règlements de la FCC. Son fonctionnement est régi par les deux conditions suivantes : (1) Cet appareil ne peut pas causer d'interférence nuisible et (2) cet appareil doit accepter toutes les interférences reçues, y compris celles qui risquent d'en gêner le fonctionnement.

REMARQUE : ce matériel a été testé et a été déclaré conforme aux limites en vigueur concernant les dispositifs numériques de classe B, en vertu de la partie 15 de la réglementation FCC. Ces limites visent à assurer une protection raisonnable contre tout brouillage nuisible dans une installation résidentielle. Ce matériel produit, consomme et peut émettre une énergie de radiofréquence et, s'il n'est pas installé et utilisé conformément aux directives qui l'accompagnent, il peut entraîner un brouillage nuisible des communications radio. Cependant, nous ne garantissons pas l'absence de brouillage dans tous les types d'environnement. Si, après avoir effectué une vérification en mettant l'appareil hors tension puis sous tension, l'utilisateur s'aperçoit que ce matériel provoque un brouillage nuisible à la réception des signaux de radio ou de télévision, il lui faudra essayer de corriger ce brouillage en prenant une ou plusieurs des mesures ci-dessous :

- Réorienter ou repositionner l'antenne de réception.
- Éloigner le plus possible le matériel du récepteur.
- Brancher le matériel dans une prise électrique située sur un circuit différent de celui du récepteur.
- Consulter le distributeur ou un technicien radio/télévision expérimenté pour obtenir de l'aide.

Tout changement ou toute modification à cet appareil qui n'est pas expressément approuvé par l'institution responsable de la conformité peut faire annuler le droit de l'utilisateur d'utiliser ce matériel. Cet appareil numérique de la classe B est conforme à la norme NMB-003 du Canada.

INFORMATION SUR LES RÉPARATIONS

Tous les centres de réparation Black & Decker sont dotés de personnel qualifié en matière d'outillage électrique; ils sont donc en mesure d'offrir à leur clientèle un service efficace et fiable. Que ce soit pour un avis technique, une réparation ou des pièces de rechange authentiques installées en usine, communiquer avec l'établissement Black & Decker le plus près de chez vous. Pour trouver l'établissement de réparation de votre région, consulter le répertoire des Pages jaunes à la rubrique « Outils électriques » ou composer le numéro suivant : **1-800-544-6986** ou consulter le site www.blackanddecker.com

GARANTIE COMPLÈTE DE DEUX ANS POUR UNE UTILISATION DOMESTIQUE

Black & Decker (É.-U.) Inc. garantit ce produit pour une durée de deux ans contre tout défaut de matériau ou de fabrication. Le produit défectueux sera remplacé ou réparé sans frais de l'une des deux façons suivantes :

La première façon consiste en un simple échange chez le détaillant qui l'a vendu (pourvu qu'il s'agisse d'un détaillant participant). Tout retour doit se faire durant la période correspondant à la politique d'échange du détaillant (habituellement, de 30 à 90 jours après l'achat). Une preuve d'achat peut être requise. Vérifier auprès du détaillant pour connaître sa politique concernant les retours hors de la période définie pour les échanges.

La deuxième option est d'apporter ou d'envoyer le produit (transport payé d'avance) à un centre de réparation autorisé ou à un centre de réparation de Black & Decker pour faire réparer ou échanger le produit, à notre discrétion. Une preuve d'achat peut être requise. Les centres Black & Decker et les centres de service autorisés sont répertoriés dans les pages jaunes, sous la rubrique « Outils électriques ».

Cette garantie ne s'applique pas aux accessoires. Cette garantie vous accorde des droits légaux spécifiques et vous pourriez avoir d'autres droits qui varient d'un État ou d'une province à l'autre. Pour toute question, communiquer avec le directeur du centre de réparation Black & Decker le plus près de chez vous. Ce produit n'est pas destiné à un usage commercial.

REPLACEMENT GRATUIT DES ÉTIQUETTES D'AVERTISSEMENT : si les étiquettes d'avertissement deviennent illisibles ou sont manquantes, composer le **1-800-544-6986** pour en obtenir le remplacement gratuit.

AMÉRIQUE LATINE : cette garantie ne s'applique pas aux produits vendus en Amérique latine. Pour ceux-ci, veuillez consulter les informations relatives à la garantie spécifique présente dans l'emballage, appeler l'entreprise locale ou consulter le site Web pour les informations relatives à cette garantie.

Imported by / Importé par
Black & Decker Canada Inc.
100 Central Ave.
Brockville (Ontario) K6V 5W6

**Voir la rubrique
“Outils électriques”
des Pages Jaunes
pour le service et les ventes.**

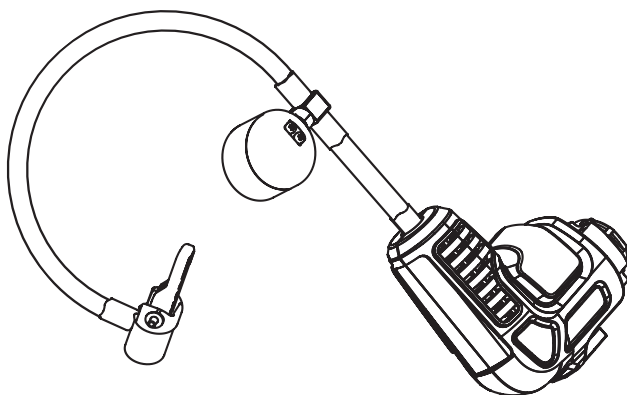
BLACK&DECKER®

MATRIX™

ADITAMENTO DE INFLADOR

MANUAL DE INSTRUCCIONES

Catálogo N°
BDCMTHPI



**Gracias por elegir Black & Decker!
Visite www.BlackandDecker.com/NewOwner
para registrar su nuevo producto.**

LEA EL MANUAL ANTES DE DEVOLVER ESTE PRODUCTO POR CUALQUIER MOTIVO:

Si tiene una consulta o algún inconveniente con su producto Black & Decker, visite
[HTTP://WWW.BLACKANDDECKER.COM/INSTANTANSWERS](http://WWW.BLACKANDDECKER.COM/INSTANTANSWERS)

Si no encuentra la respuesta o no tiene acceso a Internet, llame al 1-800-544-6986 de
lunes a viernes de 8 a.m. a 5 p.m. hora del Este para hablar con un agente.

Cuando llame, tenga a mano el número de catálogo.

CONSERVE ESTE MANUAL PARA FUTURAS CONSULTAS.

⚠ ADVERTENCIA: Lea todas las advertencias de seguridad e instrucciones. El incumplimiento de las advertencias e instrucciones puede provocar descargas eléctricas, incendios o lesiones graves.

Conserve todas las advertencias e instrucciones para futuras consultas.

⚠ ADVERTENCIA: Lea todas las advertencias de seguridad y todas las instrucciones que vienen con la unidad motriz (BDCDMT112, BDCDMT120 o BDEDMT) antes de utilizar este accesorio. El incumplimiento de las advertencias e instrucciones puede provocar una descarga eléctrica, un incendio y/o lesiones graves.

ADVERTENCIAS DE SEGURIDAD ADICIONALES PARA SU INFLADOR

SÓLO PARA USO DOMÉSTICO:

• Infle neumáticos de bicicletas, pelotas, balsas, flotadores para piscina, colchones inflables y más dentro y alrededor de la casa. El período máximo recomendado de utilización continua es de 2 minutos a 65 psi y con 5 minutos de descanso.

⚠ ADVERTENCIA! RIESGO RESPIRATORIO:

• **El aire comprimido que sale de su inflador no es seguro para respirarlo.** Nunca inhale el aire de su inflador o de un dispositivo de respiración conectado al inflador.

⚠ ADVERTENCIA! RIESGO DE ESTALLIDO:

• **Demasiada presión de aire produce peligro de estallido.** Verifique cuál es el máximo de presión establecido por el fabricante de los objetos que se inflarán.
• **No deje el inflador funcionando sin atención.** Podría hacer explotar los neumáticos u otros elementos.

⚠ ADVERTENCIA! RIESGO DE OPERACIÓN INSEGURA:

• **No intente modificarlo o repararlo.** Nunca perfore, suelde o haga ninguna modificación al inflador o a sus elementos.
• **Operar sólo con los accesorios incluidos o con piezas para el tratamiento del aire aceptables para no menos de 170 psi.** El uso de accesorios no recomendados para utilizar con esta herramienta puede resultar peligroso.
• **Nunca la use a modo de juego.** El aire a alta presión es peligroso. No dirija el flujo de aire hacia usted ni hacia otras personas.

⚠ ADVERTENCIA! RIESGO DE INCENDIO:

• **El inflador puede calentarse durante el uso.** Permita que se enfríe 30 minutos antes de guardarlo.

Propuesta 65 de California

⚠ ADVERTENCIA! Este producto o su cable de alimentación contiene plomo, una sustancia química reconocida por el Estado de California como causante de cáncer, defectos de nacimiento u otros problemas reproductivos. Lávese las manos después de utilizarlo.

SÍMBOLOS

• La etiqueta de su herramienta puede incluir los siguientes símbolos. Los símbolos y sus definiciones son los siguientes:

V..... voltios

A..... amperios

Hz..... hertz

W..... vatios

min..... minutos

~ corriente alterna

—..... corriente directa

n_o no velocidad sin carga

Ⓡ..... Construcción Clase I
(mis à la terre)

Ⓣ..... terminal a tierra

Ⓢ..... Construcción de clase II

⚠ simbolo de alerta

.../min..... revoluciones o minuto seguridad

📖 Lea el manual de instrucciones antes del uso

👃 Use protección adecuada para las vías respiratorias

👁 Use protección adecuada para los ojos

👂 Use protección adecuada para los oídos

- Cuando use un alargador, asegúrese de usar uno de un calibre suficiente como para cargar con la corriente que requerirá su producto. Un alargador de menor calibre causará una caída en el voltaje de la línea lo que resultará en pérdida de potencia y sobrecalentamiento. El siguiente cuadro muestra el tamaño correcto a utilizar, dependiendo del largo del cable y el amperaje nominal. En caso de duda, utilice el de mayor calibre. Mientras menor el número del calibre, mayor la capacidad del cable.

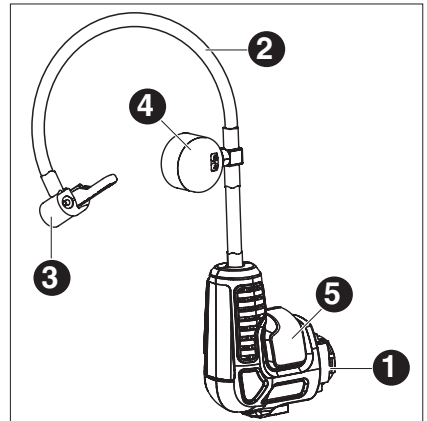
Volts	Calibre mínimo para cables de extensión			
	Longitud total del cable en pies			
120V	0-25	26-50	51-100	101-150
	(0-7,6m)	(7,6-15,2m)	(15,2-30,4m)	(30,4-45,7m)
240V	0-50	51-100	101-200	201-300
	(0-15,2m)	(15,2-30,4m)	(30,4-60,9m)	(60,9-91,4m)
Amperaje				
Más de	Menos de	American Wire Gage		
0 - 6	18	16	16	14
6 - 10	18	16	14	12
10 - 12	16	16	14	12
12 - 16	14	12	No se recomienda	

CONSERVE ESTAS INSTRUCCIONES

DESCRIPCIÓN DE LAS FUNCIONES

1. Aditamento de inflador
2. Manguera de aire
3. Adaptador universal para válvulas
4. Manómetro
5. Compartimiento para almacenamiento de accesorios

No se muestra:
Boquilla tipo aguja
Boquilla para pelotas de playa



OPERACIÓN

⚠ AVERTISSEMENT: Riesgo de estallido. Demasiada presión de aire produce peligro de estallido. Verifique cuál es el máximo de presión establecido por el fabricante de los objetos que se inflarán.

⚠ PRECAUCIÓN: La manguera de aire no se separa del aditamento del inflador. No intente realizar mantenimiento en la manguera de aire ni modificarla.

⚠ PRECAUCIÓN: Riesgo de descarga eléctrica. Bajo ninguna circunstancia utilice este producto cerca de agua.

⚠ AVERTISSEMENT: Riesgo de laceraciones o quemaduras. No toque la pieza de trabajo ni la hoja inmediatamente después de hacer funcionar la herramienta. Pueden calentarse mucho. Manipúlelas con cuidado. Siempre espere a que los accesorios y la pieza de trabajo se enfríen antes de manipularlos.

⚠ AVERTISSEMENT: Para reducir el riesgo de lesiones, apague la herramienta y quítele la batería o desconecte el enchufe de la fuente de alimentación antes de realizar cualquier ajuste o de quitar o instalar aditamentos o accesorios. Quite todo accesorio del aditamento antes de quitar o instalar el aditamento.

NOTA: Consulte el manual de instrucciones de la unidad motriz antes de utilizar esta herramienta para conocer todas las advertencias y detalles sobre la instalación y extracción de aditamentos.

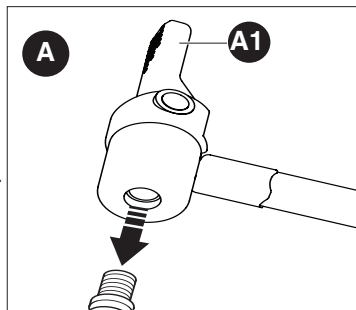
INFLADO

- Para encender la herramienta, oprima el interruptor de velocidad variable (1). La velocidad de la herramienta depende de cuánto presione el interruptor.
- Para apagar la herramienta, suelte el interruptor de velocidad variable.

NOTA: Este aditamento funciona únicamente en la dirección de avance; no debiera ser posible cambiar a reversa el interruptor deslizante de avance/reversa de la unidad motriz.

ADAPTADOR PARA VÁLVULAS

- Coloque la palanca del adaptador (A1) para válvulas hacia arriba. Empuje el adaptador hacia abajo sobre la sección roscada del vástago de válvula, o sobre uno de los tres accesorios suministrados con el inflador (**Figura A**).
- Cuando el adaptador esté completamente abajo sobre las roscas, presione la palanca hacia abajo para fijarlo en su lugar.
- Para liberar el adaptador del vástago de válvula o las boquillas complementarias, levante la palanca hacia arriba y tire del adaptador.
- Operar el Inflador sólo con las boquillas incluidas.
- Asegúrese de que el adaptador universal para válvulas esté trabado en su lugar antes de encender el inflador.



NOTA: Muchos artículos inflables, especialmente los colchones inflables, tienen una solapa interna que evita la pérdida de aire durante el inflado. Si la boquilla no corre esta solapa, el colchón no se inflará. Empuje la boquilla con firmeza dentro de la válvula para asegurarse de correr la solapa.

MANGUERA Y MANÓMETRO

⚠ PRECAUCIÓN: Nunca transporte el inflador jalando de la manguera.

- Este manómetro, que está ubicado en la parte superior de la manguera, le dará la lectura de la presión en PSI (libras por pulgada cúbica), como así también en Bar.
- En el caso de los neumáticos de automóvil, se recomienda controlar la lectura de la presión con otro medidor para neumáticos.
- Para obtener una medición precisa de la presión, APAGUE el inflador cuando lea el medidor.

⚠ ADVERTENCIA: No deje el inflador funcionando sin atención. Podría hacer explotar los neumáticos u otros elementos.

USO DE BOQUILLAS

- Coloque el adaptador para válvulas sobre el vástago de la boquilla como se indica en la sección anterior "Adaptador para válvulas".
- Coloque la boquilla tipo aguja o la boquilla para pelotas de playa en el objeto que desea inflar.
- Cuando haya finalizado, quite la boquilla del adaptador para válvulas y guárdela en el compartimiento para almacenamiento de accesorios.

DETECCIÓN DE PROBLEMAS

Problema	Causa posible	Solución posible
• La unidad no enciende.	• El accesorio no está asegurado.	• Asegúrese de empujar por completo el accesorio dentro de la unidad motriz.

Para recibir asistencia con su producto, visite nuestro sitio web www.blackanddecker.com para conocer la ubicación del centro de mantenimiento más cercano o llame a la línea de ayuda de BLACK & DECKER al **1-800-544-6986**.

NOTA: Consulte el manual de instrucciones de la unidad motriz para conocer las soluciones a los problemas relacionados con la operación de la unidad motriz.

MANTENIMIENTO

Utilice únicamente jabón suave y un trapo húmedo para limpiar la herramienta. Nunca permita que se introduzcan líquidos en la herramienta; nunca sumerja ninguna parte de la herramienta en ningún líquido. **IMPORTANTE:** Para garantizar la SEGURIDAD y la CONFIABILIDAD del producto, la reparaciones, el mantenimiento y los ajustes deberán efectuarse en centros de servicio autorizado u otras organizaciones de servicio calificado, que utilicen siempre refacciones idénticas.

ACCESORIOS

⚠️ ADVERTENCIA: El uso de accesorios no recomendados para utilizar con esta herramienta puede resultar peligroso. Los accesorios que se recomiendan para la herramienta están disponibles en su distribuidor local o en el centro de servicio autorizado. Si necesita ayuda con respecto a los accesorios, llame al: **1-800-544-6986**.

Este mecanismo cumple con la parte 15 de las normas de la Comisión Federal de Comunicaciones de Estados Unidos (FCC). La operación está sujeta a las dos condiciones siguientes: (1) Este mecanismo posiblemente no cause interferencia perjudicial; y (2) este mecanismo puede aceptar cualquier interferencia recibida, incluso interferencia que podría provocar una operación no deseada.

NOTA: Este equipo ha sido probado y se encontró que cumple con los límites para dispositivo digital Clase B, según la parte 15 de las normas de la FCC. Estos límites están diseñados para brindar protección razonable contra interferencia perjudicial en una instalación residencial. Este equipo genera, usa y puede irradiar energía en frecuencia de radio y, si no se instala y se usa de acuerdo con las instrucciones, puede provocar interferencia perjudicial en las comunicaciones de radio. Sin embargo, no hay garantía de que la interferencia no ocurra en una instalación en particular. Si este equipo provoca interferencia perjudicial en la recepción de radio o televisión, lo que se puede determinar al apagar y encender el equipo, el usuario debe tratar de corregir la interferencia mediante una o más de las siguientes medidas:

- Cambiar la orientación o la ubicación de la antena de recepción.
 - Aumentar la separación entre el equipo y el receptor.
 - Conectar el equipo a un tomacorriente sobre un circuito diferente de aquel al que está conectado el receptor.
 - Consultar al vendedor o pedir la ayuda de un técnico en radio y televisión con experiencia.
- Los cambios o las modificaciones que se le realicen a esta unidad sin aprobación expresa del tercero responsable del cumplimiento pueden anular la autorización del usuario para operar el equipo. Este aparato digital de la clase B se conforma con ICES-003 canadiense.

INFORMACIÓN DE MANTENIMIENTO

Todos los Centros de servicio de Black & Decker cuentan con personal altamente capacitado dispuesto a brindar a todos los clientes un servicio eficiente y confiable en la reparación de herramientas eléctricas. Si necesita consejo técnico, reparaciones o piezas de repuesto originales de fábrica, póngase en contacto con el centro de servicio de Black & Decker más cercano a su domicilio. Para ubicar su centro de servicio local, consulte la sección "Herramientas eléctricas" (Tools-Electric) de las páginas amarillas, llame al **1-800-544-6986** o visite nuestro sitio **www.blackanddecker.com**.

GARANTÍA COMPLETA DE DOS AÑOS PARA USO EN EL HOGAR

Black & Decker (Estados Unidos) Inc. ofrece una garantía de dos años por cualquier defecto del material o de fabricación de este producto. El producto defectuoso se reparará o reemplazará sin costo alguno de dos maneras.

La primera opción, el reemplazo, es devolver el producto al comercio donde se adquirió (siempre y cuando se trate de un comercio participante). Las devoluciones deben realizarse conforme a la política de devolución del comercio (generalmente, entre 30 y 90 días posteriores a la venta). Le pueden solicitar comprobante de compra. Consulte en el comercio acerca de la política especial sobre devoluciones una vez excedido el plazo establecido.

La segunda opción es llevar o enviar el producto (con flete pago) a un Centro de servicio propio o autorizado de Black & Decker para su reparación o reemplazo según nuestro criterio. Le pueden solicitar el comprobante de compra. Los Centros de servicio autorizados y de propiedad de Black & Decker se detallan en la sección

“Herramientas eléctricas” (Tools-Electric) de las páginas amarillas de la guía telefónica. Esta garantía no se extiende a los accesorios. Esta garantía le concede derechos legales específicos; usted puede tener otros derechos que pueden variar según el estado o la provincia. Si tiene alguna pregunta, comuníquese con el gerente del Centro de servicio de Black & Decker de su zona. Este producto no está diseñado para uso comercial.

REEMPLAZO DE LAS ETIQUETAS DE ADVERTENCIA

Si sus etiquetas de advertencia se vuelven ilegibles o faltan, llame al (888) 848-5175 para que se las reemplacen gratuitamente.

AMÉRICA LATINA: esta garantía no se aplica a los productos que se venden en América Latina. Para los productos que se venden en América Latina, debe consultar la información de la garantía específica del país que viene en el empaque, llamar a la compañía local o visitar el sitio Web a fin de obtener esa información.

**· GARANTÍA BLACK & DECKER · BLACK & DECKER WARRANTY
· SOLAMENTE PARA PROPOSITOS DE MEXICO**

Distributor Name · **Sello firma del distribuidor**

Date of purchase · **Fecha de compra**

Invoice No. · No. de factura

PRODUCT INFORMATION · IDENTIFICACIÓN DEL PRODUCTO

Cat. No. · **Catalogo ó Modelo**

Serial Number · No. de serie

Name · **Nombre**

Last Name · Apellido

Address · **Dirección**

City · **Ciudad**

State · Estado

Postal Code · **Código Postal**

Country · País

Telephone · **No. Teléfono**

2 A—OS DE GARANTIA

Este producto cuenta con dos años de garantía a partir de la fecha de compra contra cualquier defecto de su funcionamiento, así como cualquier falla debido a materiales empleados para su fabricación ó mano de obra defectuosa.

Nuestra garantía incluye la reparación o reposición del producto y/o componentes sin cargo alguno para el cliente incluyendo la mano de obra, esta incluye los gastos de trasportación erogados para lograr cumplimiento de esta garantía en los domicilios diversos señalados.

Para hacer efectiva esta garantía deberá presentar su herramienta y esta póliza sellada por el establecimiento comercial donde se adquirió el producto.

Nos comprometemos a entregar el producto en un lapso no mayor a 30 días hábiles contados a partir de la fecha de recepción del mismo en nuestros talleres de servicio autorizados.

ESTA GARANTIA NO APLICA CUANDO:

El producto se hubiese utilizado en condiciones distintas a las normales.

El producto no hubiese sido operado de acuerdo con el instructivo de uso que se acompaña.

El producto hubiese sido alterado o reparado por personas no autorizadas por nosotros.

Importador: Black & Decker S.A. de .C.V

Bosque de Cidros Acceso Radiatas No.42

3ra.Seccion de Bosques de las lomas

C.P.05120, Mexico, D.F. Tel: (01 55) 5326 7100

SOLAMENTE PARA PROPOSITOS DE MEXICO

Grupo Realsa en herramientas, S.A. de C.V.

Súper Manzana 69 MZ.01 Lote 30
(Av. Torcasita)
Col. Puerto Juárez
Cancún, Quintana Roo
Tel. 01 998 884 72 27

Ferre Pat de Puebla, S.A. de C.V.

16 de Septiembre No. 6149
Col. El Cerrito
Puebla, Puebla
Tel. 01 222 264 12 12

Ferre Pat de Puebla, S.A. de C.V.

Ejército Mexicano No. 15
Col. Ejido 1ro. de Mayo
Boca del Río, Veracruz
Tel. 01 229 167 89 89

Servicio de Fabrica Black & Decker, S.A. de C.V.

Lázaro Cardenas No. 18
Col. Obrera
Distrito Federal
Tel. 55 88 95 02

Representaciones Industriales Robles, S.A. de C.V.

Tezozomoc No. 89
Col. La Preciosa
Distrito Federal
Tel. 55 61 86 82

Gpo. Comercial de Htas. y Refacciones de Occidente, S.A. de C.V.

Av. La Paz No. 1779
Col. Americana, S. Juárez
Guadalajara, Jalisco
Tel. 01 33 38 25 69 78

Herramientas y Equipos Profesionales

Av. Colón 2915 Ote.
Col. Francisco I. Madero
Monterrey, Nvo. León
Tel. 01 81 83 54 60 06

Htas. Portátiles de Chihuahua, S.A. de C.V.

Av. Universidad No. 2903
Col. Fracc. Universidad
Chihuahua, Chihuahua
Tel. 01 614 413 64 04

Fernando González Armenta

Bolivia No. 605
Col. Felipe Carrillo Puerto
Cd. Madero, Tampico
Tel. 01 833 221 34 50

Perfiles y Herramientas de Morelia

Gertrudis Bocanegra No. 898
Col. Ventura Puente
Morelia, Michoacán
Tel. 01 443 313 85 50

Enrique Robles

Av. de la Solidaridad No. 12713
Col. La Pradera
Irapuato, Guanajuato
Tel. 01 462 626 67 39

Hernández Martínez Jeanette

Prolongación Corregidora Nte. No. 1104
Col. Arboledas
Querétaro, Qro.
Tel. 01 442 245 25 80

PARA OTRAS LOCALIDADES LLAME AL 01 800 847 2309 o 01 800 847 2312.

**Vea “Herramientas
eléctricas (Tools-Electric)”
– Páginas amarillas –
para Servicio y ventas**



**BLACK & DECKER S.A. DE C.V.
BOSQUES DE CIDROS ACCESO RADIATAS NO. 42
COL. BOSQUES DE LAS LOMAS.
05120 MÉXICO, D.F
TEL. (01 55) 5326 7100
01 800 847 2309/01 800 847 2312**