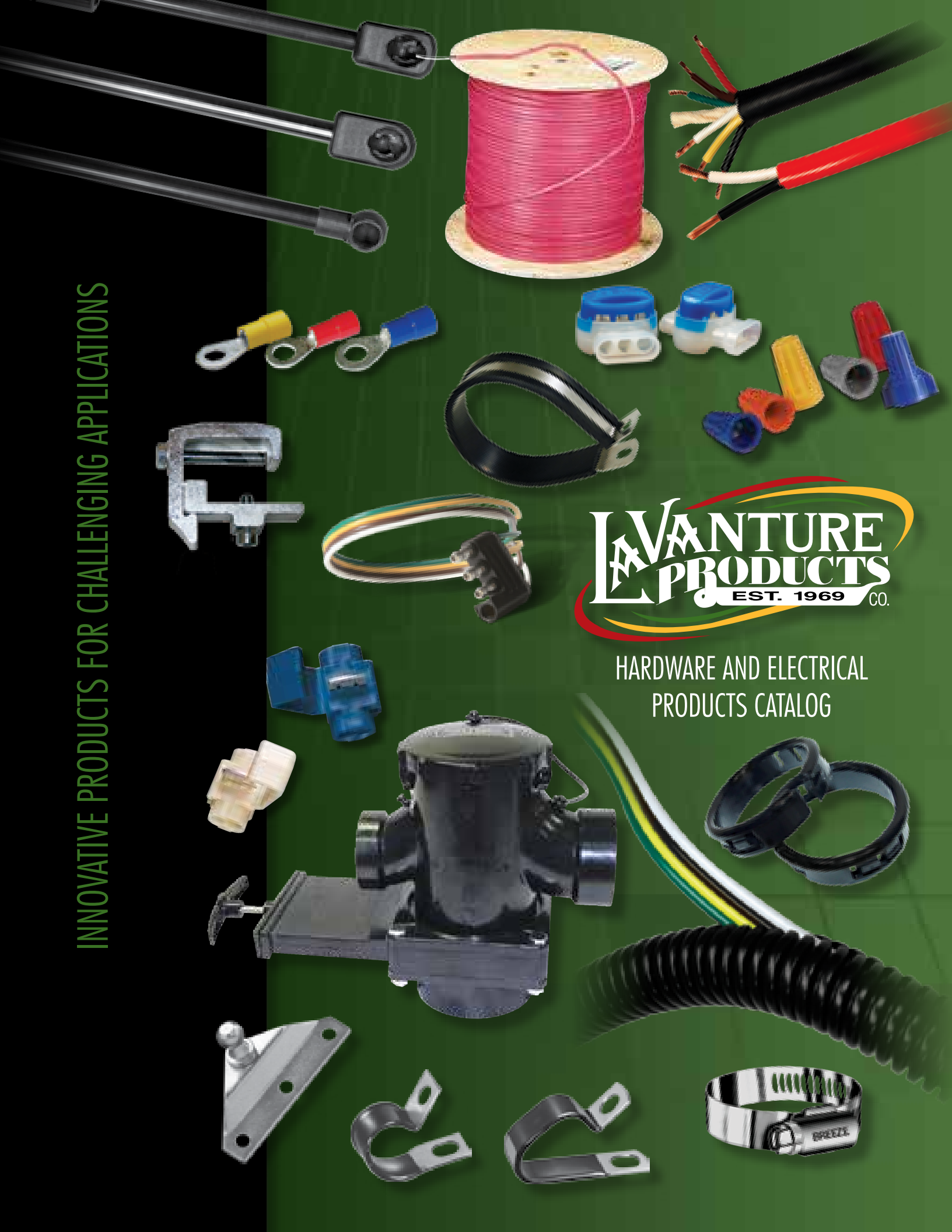


INNOVATIVE PRODUCTS FOR CHALLENGING APPLICATIONS



HARDWARE AND ELECTRICAL
PRODUCTS CATALOG



LaVanture Products 100,000 square foot warehouse facility with 5,000 SKU's of product ready for immediate shipment.

The LaVanture Advantage...

Since 1969 LaVanture Products Company has been providing the best total package of products and services to our customers. We invest in our future so we can continue to meet market demands and customer needs. When you select LaVanture Products, you provide your business with the LaVanture advantage:

- Quick & Personal Response
- Quality Products
- Continuous Innovation
- Competitive Pricing
- Courteous Service
- On time Delivery

This Industrial Hardware and Electrical Products Catalog features innovative, high quality products to meet the challenging applications of today's markets. All of these products meet our quality standards and have passed a rigid testing program. If we sell it ...we stand behind it!!

Our Goals are Simple:

Distribute high quality products that meet customer needs at a fair price with on-time delivery.

Visit us on-line at www.lavanture.com for information on all our quality products.



Toll Free Phone
800-348-7625
www.lavanture.com

TABLE OF CONTENTS

Convuluted Conduit	Pages 3-6
Polyethylene, Polyethylene RVT, Polypropylene Fire Retardant, Nylon, Specialty Conduit	
Vinyl Coated Steel Clamps	Pages 7-8
Flared-Edge, Closed, Double Tube, J, Cushioned	
Bushings and Plugs	Pages 9-10
Snap, Shorty, Open/Closed, Universal Bushings, Vent Plugs, Dome/Hole Plugs	
Cable Ties	Page 11
Standard, Ultraviolet, Screw Mount	
Wire Managers	Page 12
Cable Tie Mounts, Wire Clips, Cable Clamps	
Hose Clamps	Pages 13-16
Power-Seal, Miniature, Marine Grade, Aero-Seal, T-Bolt, Constant Torque, Liner	
Electrical Wiring	Pages 17-18
T.E.W. Primary Wire, Trailer Cable, Trailer Brake Cable, Bonded Ribbon Cable, Speaker Wire	
Pollak Connectors and Adapters	Pages 19-20
4-Way, 6 -Way & 7- Way Connectors, Heavy Duty Connectors & Adapters, EZ Adapters, Wishbone Trailer Harnesses	
Wiring Accessories	Pages 21-23
Scotch-Lok Connectors, Ring terminals, Butt Splices, Wire Connectors, Heat shrink Tubing, Fuses, Fuse Holders, Circuit Breakers	
Smoke and Gas Detectors	Page 24
Carbon Monoxide/Smoke Detectors, LP Gas Detectors, Ion Smoke Detectors	
Fire Extinguishers	Pages 25-26
Multi-Purpose, Single Purpose, Rechargeable Extinguishers and Mounting Brackets	
Highway Safety Triangles	Pages 26
Kit of three triangles in high-density plastic case and mounting brackets	
Industrial Tapes	Pages 27-29
Duct, Masking, Carpet, Black Bottom Board, Painter, Foil, Electrical, Strapping, Carton, Anti-Slip , Shrink Wrap	
Conspicuity Tape	Page 30
3M Diamond Grade Conspicuity Tapes	
Hose Products	Pages 31-33
Pressure, Tubing, Drain, Helix, Vent, Reinforced, Sewer, Smooth-Bor, Saniflex, Water, Specialty, Custom	
Water Tanks	Page 34
Rotational Molded O.E.M. Polyethylene Water Tanks	
Access Covers	Page 34
Screw-In Access Covers	
Valterra Plumbing Products	Pages 35-46
Waste Valve Assemblies, EZ Hose Carriers, Solid Extension Tubes, Caps, Adapters, Inlets, Hatches, Sewersolutions, Assorted Accessories	
Fastening Devices	Pages 47-48
Baggage Locks, Compartment Latches, Baggage Lock Cams, Rope Rings, Hold-Downs	
Dock Bumpers	Pages 48
Heavy duty black rubber dock bumpers with mounting holes manufactured from 100% recycled materials	
Tite-Lok Clamps	Pages 49-50
Classic, C-Style, Rail Hugging, Rocking, Lid & Tonneau	
Spray Products	Page 51-52
Krylon Paint, Silicone Lube, Industrial Adhesive, Insulating Foam, Glass Cleaner, Rubberized Undercoating	
Gas Springs and Accessories	Page 53-61
Full Line of Black Nitride & Stainless Steel Gas Springs and Accessories	

Most items in this catalog are in-stock and available for immediate shipment. Please confirm availability and shipping with your LaVanture Sales Representative.



Toll Free Phone
800-348-7625
www.lavanture.com



Drossbach Convoluting Conduit

LaVanture Products is a major distributor of convoluted plastic conduit manufactured by Drossbach. As a leader in the Convoluting Tubing Industry, with facilities in the U. S. and Canada, Drossbach continues to develop dynamic new products to meet the challenges of today's markets. Their disciplined approach and skilled production staff, coupled with a modern well equipped manufacturing facility guarantees that the highest quality products are provided to LaVanture as a distributor allowing us to meet our commitment of quality products and customer service.

**OVER
15 MILLION
FEET IN STOCK
For Immediate
Delivery**

CONVOLUTING CONDUIT

Convoluted Conduit

Plastic convoluted tubing is a corrugated tube used to provide protection to a wire harness or any other product that may be subject to abnormal conditions, such as:

- Continuous abrasion and vibrational wear
- Puncturing
- Water, snow, ice or salt
- UV Rays

You will also hear convoluted tubing referred to by several other names including.

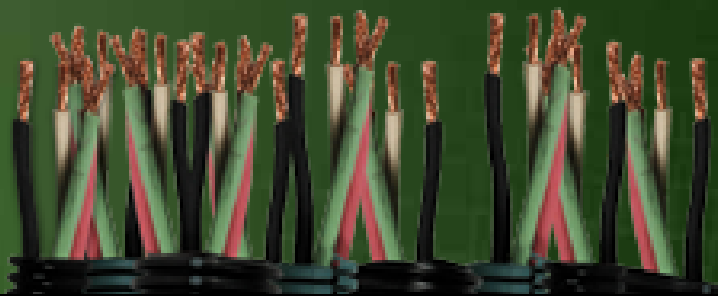
- | | | |
|---------------------|-----------------|---------------|
| • Corrugated tubing | • Loom | • Flex tubing |
| • Wire conduit | • Split loom | |
| • Convoluted loom | • Ribbed tubing | |

Convoluted Conduit is used in wide variety of industries in a wide range of applications:

- | | | |
|---------------------------|-----------------------------|--------------------------|
| • Automotive | • Farm/Agriculture | • Telecommunications |
| • Aftermarket | • Construction Vehicles | • Specialty Applications |
| • Computer/Electronics | • Marine | • Mass Transit Industry |
| • Emergency Vehicle | • Recreational Vehicles | |
| • Robotics and Automation | • Electrical Wire Harnesses | |



Toll Free Phone
800-348-7625
www.lavanture.com



Polyethylene

Convoluted Conduit

Stock#	Description	Slit	Color	Container	Carton Qty.
8125B	1/4" Polyethylene	Yes	Black	UPS Ctn.	3200'
8125BG	1/4" Polyethylene	Yes	Black	Gaylord	25000'
8134B	3/8" Polyethylene	Yes	Black	UPS Ctn.	1900'
8134BG	3/8" Polyethylene	Yes	Black	Gaylord	15000'
8135B	7/16" Polyethylene	Yes	Black	UPS Ctn.	1500'
8135BG	7/16" Polyethylene	Yes	Black	Gaylord	12000'
8136B	1/2" Polyethylene	Yes	Black	UPS Ctn.	1100'
8136BG	1/2" Polyethylene	Yes	Black	Gaylord	8500'
8138B	5/8" Polyethylene	Yes	Black	UPS Ctn.	800'
8138BG	5/8" Polyethylene	Yes	Black	Gaylord	5500'
8140B	3/4" Polyethylene	Yes	Black	UPS Ctn.	550'
8140BG	3/4" Polyethylene	Yes	Black	Gaylord	4200'
8141B	7/8" Polyethylene	Yes	Black	UPS Ctn.	400'
8141BG	7/8" Polyethylene	Yes	Black	Gaylord	3000'
8142B	1" Polyethylene	Yes	Black	UPS Ctn.	300'
8142BG	1" Polyethylene	Yes	Black	Gaylord	2250'
81125B	1-1/4" Polyethylene	Yes	Black	UPS Ctn.	250'
81125BG	1-1/4" Polyethylene	Yes	Black	Gaylord	1800'
81150B	1-1/2" Polyethylene	Yes	Black	UPS Ctn.	150'
81150BG	1-1/2" Polyethylene	Yes	Black	Gaylord	1000'
81200B	2" Polyethylene	Yes	Black	UPS Ctn.	100'
8140BS	3/4" Polyethylene	No	Black	UPS Ctn.	450'
8140BSG	3/4" Polyethylene	No	Black	Gaylord	3000'
81125BS	1-1/4" Polyethylene	No	Black	UPS Ctn.	200'
81150BS	1-1/2" Polyethylene	No	Black	UPS Ctn.	100'

Polyethylene RVT

Convoluted Conduit

Stock#	Description	Slit	Color	Container	Carton Qty.
RVT25	1/4" Polyethylene, shallow	Yes	Black	UPS Ctn.	3200'
RVT25G	1/4" Polyethylene, shallow	Yes	Black	Gaylord	25000'
RVT37	3/8" Polyethylene, shallow	Yes	Black	UPS Ctn.	1900'
RVT37G	3/8" Polyethylene, shallow	Yes	Black	Gaylord	15000'
RVT50	1/2" Polyethylene, shallow	Yes	Black	UPS Ctn.	1100'
RVT50G	1/2" Polyethylene, shallow	Yes	Black	Gaylord	8500'
RVT62	5/8" Polyethylene, shallow	Yes	Black	UPS Ctn.	800'
RVT62G	5/8" Polyethylene, shallow	Yes	Black	Gaylord	6000'
RVT75	3/4" Polyethylene, shallow	Yes	Black	UPS Ctn.	600'
RVT75G	3/4" Polyethylene, shallow	Yes	Black	Gaylord	4200'
RVT10	1" Polyethylene, shallow	Yes	Black	UPS Ctn.	350'
RVT10G	1" Polyethylene, shallow	Yes	Black	Gaylord	3000'
RVT75S	3/4" Polyethylene, shallow	No	Black	UPS Ctn.	500'
RVT37S	3/8" Polyethylene, shallow	No	Black	UPS Ctn.	1500'

Installation Tool

Stock#	Description	Carton Qty.
SLT-008	1/4" X 7/16" Installation Tool	1 pc.
SLT-015	1/2" x 5/8" Installation Tool	1 pc.
SLT-020	3/4" x 7/8" Installation Tool	1 pc.
SLT-025	1" x 1-1/4" Installation Tool	1 pc.
SLT-032	1-1/2" x 2" Installation Tool	1 pc.



Polyethylene Conduit Series 8100B

manufactured from high quality polyethylene thermoplastics, series 8100B convoluted conduit, with a materials operating range of -40°F to 200°F to provide protection from:

- Abrasion & vibration wear
- Puncturing
- Water, snow, ice or salt
- UV rays

Series 8100B meets most automotive specification requirements, and is available slit or unslit, black only, in ups cartons or gaylords.

Most Convoluted Conduit is Slit for Easy Insertion. Check Specification Charts for Information.

Polyethylene Utility Conduit Series RVT

manufactured from low density polyethylene thermoplastics, series rvt convoluted conduit was designed with a shallow convolution for economy utility use. It is available slit or unslit, black only, in ups cartons or gaylords.

Wire Assembly Tool

manufactured from high impact plastic. This tool was designed to assist in feeding slit conduit over wiring. It is available in 3 models to accommodate conduit sizes from 1/4" to 2".



Toll Free Phone
800-348-7625
www.lavanture.com

CONVOLUTED CONDUIT

Tubing is slit for easy wire insertion!

Polypropylene Flame Retardant Conduit Series 8100BF

manufactured from flame retardant polypropylene thermoplastics, series 8100BF convoluted conduit, with a materials operating range of -40°F to 275°F, was manufactured to meet the stringent requirements of the automotive and marine industries where extreme temperatures may be a factor. Series 8100BF meets UL-92-V2 regulations for flame retardation, and is available slit or unslit, black only, in ups cartons or gaylords.

Nylon Convoluted Conduit Series 8100N

manufactured from 100% high quality nylon, series 8100N conduit boasts the highest operating range of -40°F to 300°F to provide maximum protection from:

- Abrasion and vibration wear
- Puncturing
- Water, snow, ice or salt
- UV rays

Series 8100N meets most automotive specification requirements, and is available slit or unslit, black only, in ups cartons or gaylords.



Toll Free Phone
800-348-7625
www.lavanture.com

Polypropylene Flame Retardant Conduit

Stock#	Description	Slit	Color	Container	Carton Qty.
8125BF	1/4" Polypropylene Flame Ret.	Yes	Black/Blue stripe	UPS Ctn.	3200'
8134BF	3/8" Polypropylene Flame Ret.	Yes	Black/Blue stripe	UPS Ctn.	1800'
8134BFG	3/8" Polypropylene Flame Ret.	Yes	Black/Blue stripe	Gaylord	12500'
8136BF	1/2" Polypropylene Flame Ret.	Yes	Black/Blue stripe	UPS Ctn.	1100'
8138BF	5/8" Polypropylene Flame Ret.	Yes	Black/Blue stripe	UPS Ctn.	750'
8138BFG	5/8" Polypropylene Flame Ret.	Yes	Black/Blue stripe	Gaylord	5500'
8140BF	3/4" Polypropylene Flame Ret.	Yes	Black/Blue stripe	UPS Ctn.	500'
8140BFG	3/4" Polypropylene Flame Ret.	Yes	Black/Blue stripe	Gaylord	4200'
8141BF	7/8" Polypropylene Flame Ret.	Yes	Black/Blue stripe	UPS Ctn.	400'
8141BFG	7/8" Polypropylene Flame Ret.	Yes	Black/Blue stripe	Gaylord	3000'
8142BF	1" Polypropylene Flame Ret.	Yes	Black/Blue stripe	UPS Ctn.	300'
8142BFG	1" Polypropylene Flame Ret.	Yes	Black/Blue stripe	Gaylord	2250'
81150BF	1-1/2" Polypropylene Flame Ret.	Yes	Black/Blue stripe	UPS Ctn.	100'
8140BFSBG	3/4" Polypropylene Flame Ret.	No	Black/Blue stripe	Gaylord	3000'
8141BFSBG	7/8" Polypropylene Flame Ret.	No	Black/Blue stripe	Gaylord	2500'
8142BFSBG	1" Polypropylene Flame Ret.	No	Black/Blue stripe	Gaylord	1800'
81125BFSBG	1-1/4" Polypropylene Flame Ret.	No	Black/Blue stripe	Gaylord	1300'
8136BU	1/2" Polypropylene Flame Ret.	Yes	Green	UPS Ctn.	1100'

Nylon Convoluted Conduit

Stock#	Description	Slit	Color	Container	Carton Qty.
8125N	1/4" Nylon	Yes	Black/Gray stripe	Gaylord	3200'
8125NG	1/4" Nylon	Yes	Black/Gray stripe	Gaylord	2800'
8134N	3/8" Nylon	Yes	Black/Gray stripe	UPS Ctn.	1900'
8134NG	3/8" Nylon	Yes	Black/Gray stripe	Gaylord	1500'
8136N	1/2" Nylon	Yes	Black/Gray stripe	UPS Ctn.	1100'
8136NG	1/2" Nylon	Yes	Black/Gray stripe	Gaylord	8500'
8138N	5/8" Nylon	Yes	Black/Gray stripe	UPS Ctn.	800'
8138NG	5/8" Nylon	Yes	Black/Gray stripe	Gaylord	5500'
8140N	3/4" Nylon	Yes	Black/Gray stripe	UPS Ctn.	600'
8140NG	3/4" Nylon	Yes	Black/Gray stripe	Gaylord	4200'
8142N	1" Nylon	Yes	Black/Gray stripe	UPS Ctn.	300'
8142NG	1" Nylon	Yes	Black/Gray stripe	Gaylord	2250'
81125N	1-1/4" Nylon	Yes	Black/Gray stripe	UPS Ctn.	250'
81125NG	1" Nylon	Yes	Black/Gray stripe	Gaylord	1800'
81150N	1-1/2" Nylon	Yes	Black/Gray stripe	UPS Carton	150'
81150NG	1-1/2" Nylon	Yes	Black/Gray stripe	Gaylord	2800'
8134NSG	3/8" Nylon	No	Black/Gray stripe	Gaylord	10000'
8142NS	1" Nylon	No	Black/Gray stripe	UPS Ctn.	250'
81150NS	1-1/2" Nylon	No	Black/Gray stripe	UPS Ctn.	100'
8138NSBG	5/8" Nylon	No	Black	Gaylord	4000'
8140NSB	3/4" Nylon	No	Black	UPS Carton	500'
8140NSBG	3/4" Nylon	No	Black	Gaylord	3000'
8141NSBG	7/8" Nylon	No	Black	Gaylord	2500'
8142NSB	1" Nylon	No	Black	UPS Carton	250'
8142NSBG	1" Nylon	No	Black	Gaylord	2000'
81125NSBG	1-1/4" Nylon	No	Black	Gaylord	1500'
81150NSBG	1-1/2" Nylon	No	Black	Gaylord	800'

Most Convoluted Conduit is Slit for Easy Insertion. Check Specification Charts for Information.

Specialty Convoluted Conduit Products

Working with our supplier Drossbach, we offer a wide variety of Specialty Convoluted Products including:



Cuffed Hose
Convoluted Conduit

Cuffed Hose Convoluted Conduit

Cuffed Hose Product is designed to make it easy to attach fittings. Cuffed Hose is used in a range of applications including: Bilge Pumps, Medical, Drain Hose and other special applications. It is available in bulk, coils or cut to length in standard black and white colors. It can be customized to meet your specific requirements. Please contact us for product information and availability.

Slotted Convoluted Conduit

Slotted Convoluted Conduit offers excellent drainage for construction equipment, agricultural equipment, ATVs, heavy trucks, cement trucks, motorcycles, snow mobiles, marine and other applications. Slit at 12 o'clock, it has continuous slots at 3 o'clock, 6 o'clock and 9 o'clock, making it great for vehicles used in off road environments that face exposure to rain, automotive fluids, salt and slush, and those that need better drainage.

Compared to regular slit tubing, this slotted loom offers better air flow, breathing and cooling for wire cables and hoses. Please contact us for product information and availability.



Color Convoluted Conduit

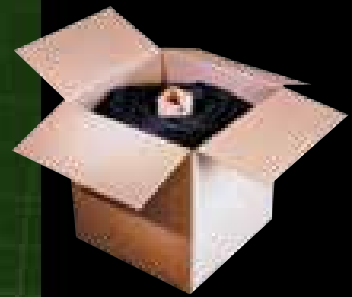
Custom Convoluted Conduit Products

Custom products are available in a variety of thermoplastics in many shapes and sizes. We provide full service assistance to customers by manufacturing parts designed specifically to meet your requirements and specifications with custom tooling and prototypes. Please contact us for all your custom convoluted requirements.



Custom Convoluted Conduit

Most Convoluted Conduit is Slit for Easy Insertion. Check Specification Charts for Information.



Carton Size
21" x 21" x 21"
UPS Approved
Average weight: 30lbs



Gaylord Size
44" x 44" x 45"
Including Skid.
Average weight: 200lbs

Industry Applications

- Heavy Equipment
- Aircraft and Military
- Lawn, Garden and Home Appliance
- Agricultural Equipment
- Marine
- Computer and Electronics
- Automotive, Trucks, Buses, Trailers and RV's



Toll Free Phone
800-348-7625
www.lavanture.com

CONVOLUTED CONDUIT

Closed Clamps, Flared Edge, Double Tube and J Clamps

LaVanture Products stocks a variety of vinyl coated, cushioned clamps. Manufactured in the USA since 1908 by a QS-9002 qualified system company with a key objective of producing defective free products.

Call your LaVanture account representative for information.



Toll Free Phone
800-348-7625
www.lavanture.com

Closed Clamps – Furnished Open

Stock#	Clamping Diameter	Hole Diameter	Center To Center	Width	Hole To End	Center Gap	Gage	Slot Length	Carton Quantity
COV0509Z1	.250"	.281"	.531"	.500"	.312"	.031"	.032"	.375"	1000
COV0709Z1	.375"	.281"	.593"	.500"	.312"	.062"	.032"	.375"	1000
COV0909Z1	.500"	.281"	.656"	.500"	.312"	.062"	.048"	.375"	1000
COV1109Z1	.625"	.281"	.718"	.500"	.312"	.062"	.048"	.375"	1000
COV1309Z1	.750"	.281"	.781"	.500"	.312"	.062"	.048"	.375"	1000
COV1509Z1	.875"	.281"	.843"	.500"	.312"	.062"	.048"	.375"	1000
COV1709Z1	1.000"	.281"	.906"	.500"	.312"	.062"	.048"	.375"	1000
COV2109Z1	1.250"	.281"	1.031"	.500"	.312"	.062"	.048"	.375"	500
COV2509Z1	1.500"	.281"	1.156"	.500"	.312"	.062"	.048"	.375"	500
COV2513Z1	1.500"	.406"	1.281"	.750"	.437"	.062"	.048"	.500"	250
COV2909Z1	1.750"	.281"	1.281"	.500"	.312"	.062"	.048"	.375"	500
COV3309Z1	2.000"	.281"	1.437"	.500"	.312"	.062"	.048"	.375"	500
COV3313Z1	2.000"	.406"	1.562"	.750"	.437"	.062"	.048"	.500"	250
COV4113Z1	2.500"	.406"	1.812"	.750"	.437"	.062"	.048"	.500"	250
COV4913Z1	3.000"	.406"	2.062"	.750"	.437"	.062"	.048"	.500"	200

Flared Edge Clamps

Stock#	Clamping Diameter	Center to Center	Hole Diameter	Width	Hole Center To End	Slot Center To End	Slot Length	Carton Quantity
CFV0809Z1	0.437"	0.625"	0.281"	0.5"	0.25"	0.296"	0.375"	1000
CFV0909Z1	0.500"	0.656"	0.281"	0.5"	0.25"	0.296"	0.375"	1000
CFV1109Z1	0.625"	0.718"	0.281"	0.5"	0.25"	0.296"	0.375"	1000
CFV1309Z1	0.750"	0.781"	0.281"	0.5"	0.25"	0.296"	0.375"	1000
CFV1409Z1	0.812"	0.812"	0.281"	0.5"	0.25"	0.296"	0.375"	1000
CFV1509Z1	0.875"	0.843"	0.281"	0.5"	0.25"	0.296"	0.375"	1000
CFV1709Z1	1.00"	0.906"	0.281"	0.5"	0.25"	0.296"	0.375"	1000

Double Tube Clamps

Stock#	Hole Diameter	Center To Center	Width	Hole Center To End	Gap	Gage	Slot Length	Carton Quantity
CDV1611Z1	.343"	.968"	.625"	.375"	.062"	.060"	.437"	250

J Clamps

Stock#	Clamping Diameter	Hole Diameter	Center To Center	Width	Hole Center To End	Gage	Carton Quantity
CJV1009Z1	.562"	.281"	1.125"	.500"	.250"	.048"	1000
CJV1309Z1	.750"	.281"	1.250"	.500"	.250"	.048"	1000

Cushion Clamps

Stock#	Clamping Diameter	Hole Diameter	Width	Hole Center To End	Center To Center	Length	Carton Quantity
COL0409Z1	0.25"	0.281"	0.50"	0.312"	0.674"	.375"	1000
COL0413Z1	0.25"	0.406"	0.75"	0.437"	0.656"	0.50"	1000
COL0609Z1	0.375"	0.281"	0.50"	0.312"	0.593"	0.375"	500
COL0809Z1	0.50"	0.281"	0.50"	0.312"	0.656"	0.375"	1000
COL1009Z1	0.625"	0.281"	0.50"	0.312"	0.781"	0.375"	500
COL1209SS*	.0750"	0.281"	0.50"	0.312"	0.843"	0.375"	500
COL1209Z1	.0750"	0.281"	0.50"	0.312"	0.843"	0.375"	500
COL1409Z1	0.875"	0.281"	0.50"	0.312"	0.906"	0.375"	1000
COL1609Z1	1.00"	0.281"	0.50"	0.312"	0.968"	0.375"	1000
COL1613Z1	1.00"	0.406"	0.75"	0.437"	1.093"	0.500"	500
COL2009Z1	1.250"	0.281"	0.50"	0.312"	1.093"	0.375"	500
COL2409Z1	1.500"	0.281"	0.50"	0.312"	1.218"	0.375"	1000
COL2609Z1	1.625"	0.281"	0.50"	0.312"	1.281"	0.375"	500

* COL1209SS is Stainless Steel all other Cushion Clamps are Zinc

Closed Clamps "furnished open"

The most widely used of the loop-type steel clamps; they can be snapped over the tube or wire and closed with the bolt at assembly. The medium-duty "CO" series for bolt sizes 1/4" to 1/2" has one round and one slotted hole for easy alignment. Contoured to minimize distortion during closing.

COV CLOSED CLAMPS

Material: HD Galv. Steel, Chem-Treated G90 per
ASTM A653/A653M

Cushion: Black Vinyl, 1/32" Thick

Holes: One Round and One Slotted Hole



Flared-Edge Clamps

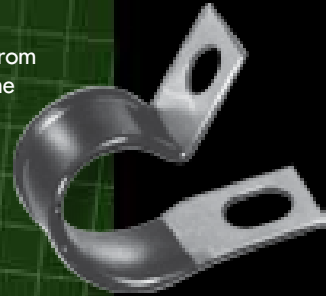
These light-duty clips have the edges flared around the clamping loop to prevent abrasion from the edges of the steel. They are also made contoured for ease of closing. CFV parts have one round and one slotted hole.

CFV FLARED EDGE CLAMPS

Material: HD Galv. Steel, Chem-Treated G90 per
ASTM A653/A653M

Cushion: Black Vinyl, 1/32" Thick

Holes: One Round and One Slotted Hole



Double Tube Clamps

For clamping two tubes of the same diameter. CDV parts have one round and one slotted hole.

CDV DOUBLE TUBED CLAMPS

Material: HD Galv. Steel, Chem-Treated G90 per
ASTM A653/A653M

Cushion: Black Vinyl, 1/32" Thick

Holes: One Round and One Slotted Hole



J Clamps

When it is desirable to assemble the clamp and add wiring later, this is an excellent choice. Against a rigid surface, it can be closed easily with a screwdriver blade. Pliers or fingers can be used for closing if the back is not supported. The loop portion is contoured.

CJV J CLAMPS

Material: HD Galv. Steel, Chem-Treated G90 per
ASTM A653/A653M

Cushion: Black Vinyl, 1/32" Thick

Holes: One Round Hole



Cushioned Clamp

LaVanture's new extruded series cushion clamps are manufactured with EPDM cushion material and optional neoprene or silicone cushion materials for high temperature applications.

- Black EPDM per SAE Specifications
- Black Neoprene per AMS3209 Specifications
- Red/Orange Silicone per AMS3303 Specifications



Toll Free Phone
800-348-7625
www.lavanture.com



Snap Bushings



Shorty Bushings



Open/Close Bushings



Toll Free Phone
800-348-7625
www.lavanture.com

Snap Bushings

Convert raw-edged holes to smooth, neat, insulated holes. Snaps into hole with fingertip pressure and withstands a push back force of 35#. Insulates and mechanically protects electrical, telecommunication cables, tubing, hose, rope and many other applications. Made of Nylon 6/6 material.

Snap Bushings						
Stock#	Color	Hole Diameter	Maximum Thickness	Head Diameter	Thickness	Carton Quantity
SB250-2	Black	.250"	.062"	.312"	.312"	1000
SB375-4	Black	.375"	.125"	.468"	.406"	1000
SB437-4	Black	.437"	.125"	.531"	.406"	1000
SB437-5	Black	.437"	.125"	.587"	.406"	1000
SB500-6	Black	.500"	.125"	.578"	.406"	1000
SB562-7	Black	.562"	.125"	.656"	.406"	1000
SB625-8	Black	.625"	.125"	.718"	.406"	1000
SB750-10	Black	.750"	.125"	.843"	.406"	1000
SB875-11	Black	.875"	.125"	.953"	.453"	500
SB1000-12	Black	1.000"	.125"	1.125"	.453"	500
SB1000-12W	White	1.000"	.125"	1.125"	.453"	500
SB1093-15	Black	1.093"	.125"	1.218"	.453"	500
SB1250-15	Black	1.250"	.125"	1.359"	.453"	250
SB1375-16	Black	1.469"	.125"	1.468"	.453"	500
SB1500-21	Black	1.500"	.125"	1.609"	.453"	250
SB1750-22	Black	1.750"	.125"	1.875"	.453"	250
SB2000-26	Black	2.000"	.125"	2.125"	.453"	250
SB2500-31	Black	2.500"	.250"	2.660"	.720"	500
SB3000-39	Black	3.000"	.250"	3.160"	.720"	100
SB3500-47	Black	3.500"	.250"	3.660"	.720"	100

Shorty Bushings

Insulate feed-thru areas for limited internal clearance applications. Insulates and isolates electric or telecommunication cables as well as low RPM shafts and push-pull rods. Locking fingers hold securely after only fingertip pressure installation. Made of Nylon 6/6 material.

Shorty Bushings						
Stock#	Color	Hole Diameter	Maximum Thickness	Head Diameter	Thickness	Carton Quantity
B375-250	Black	.375"	.125"	.437"	.250"	1000
B500-375	Black	.500"	.125"	.562"	.250"	1000
B875-750	Black	.875"	.125"	.937"	.250"	1000

Open/Closed Bushings

Have a split design which allows side entry and encirclement of pre-assembled harnesses, capillary tubes or other assemblies that have segments larger than the bushing's I.D. May also be assembled into cable holes that already contain cable or tubing. Fingertip installation. Made of Nylon 6/6 material.

Open/Closed Bushings						
Stock#	Color	Hole Diameter	Maximum Thickness	Head Diameter	Thickness	Carton Quantity
OCB375	Black	.375"	.125"	.421"	.062"	1000
OCB500	Black	.500"	.125"	.562"	.062"	1000
OCB625	Black	.625"	.125"	.687"	.062"	1000
OCB875	Black	.875"	.125"	.921"	.062"	1000
OCB1000	Black	1.000"	.125"	1.062"	.062"	1000
OCB1500	Black	1.500"	.125"	1.578"	.062"	1000

Universal Bushings

Have flexible "shutters" which adjust to accommodate and support any shape. Absorbs vibration, cushions and insulates cables, tubing, hoses or shafts with limited internal clearance. Fingertip installation. Made of Nylon 6/6 material.

Universal Bushings						
Stock#	Color	Hole Diameter	Maximum Thickness	Head Diameter	Thickness	Carton Quantity
UB625	Black	.625"	.125"	.718"	.406"	1000
UB750	Black	.750"	.125"	.859"	.390"	1000
UB875	Black	.875"	.125"	.937"	.453"	1000
UB1000	Black	1.000"	.125"	1.062"	.453"	1000
UB1093	Black	1.093"	.125"	1.156"	.453"	500
UB1500	Black	1.500"	.125"	1.61"	.453"	1000
UB3000	Black	3"	2.47"	3.15"	.750"	500

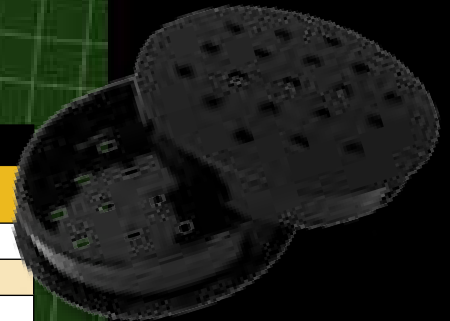


Universal Bushings

Vent Plugs

Permit the heat dissipation. Convex, matte finish head tapers to a thin edge. Locks firmly into place with only fingertip pressure. Made of Nylon 6/6 material.

Vent Plugs						
Stock#	Color	Hole Diameter	Maximum Thickness	Head Diameter	Thickness	Carton Quantity
VP500	Black	.500"	.125"	.560"	4.680"	1000
VP750	Black	.750"	.125"	.906"	.406"	1000
VP875	Black	.875"	.125"	1.016"	.453"	1000
VP2000	Black	2.000"	.125"	2.140"	.468"	1000

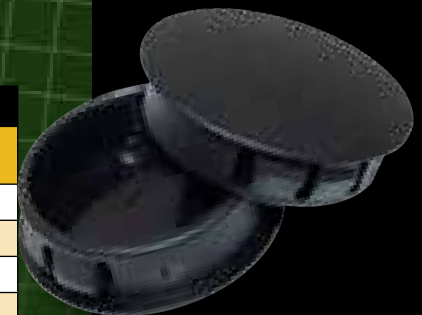


Vent Plug

Dome/Hole Plugs

Close unneeded chassis holes. Convex, matte finish head tapers to a thin edge. Locks firmly into place with only fingertip pressure. Made of Nylon 6/6 material.

Dome/Hole Plugs						
Stock#	Color	Hole Diameter	Maximum Thickness	Head Diameter	Thickness	Carton Quantity
DP250	Black	.250"	.125"	.312"	.312"	1000
DP375	Black	.375"	.125"	.468"	.406"	1000
DP500	Black	.500"	.125"	.578"	.406"	1000
DP625	Black	.625"	.125"	.718"	.406"	1000
DP625W	White	.625"	.125"	.718"	.406"	1000
DP750	Black	.750"	.125"	.922"	.406"	1000
DP875	Black	.875"	.125"	1.016"	.453"	1000
DP1000	Black	1.000"	.125"	1.203"	.453"	500
DP1093	Black	1.093"	.125"	1.218"	.453"	500
DP1250	Black	1.250"	.125"	1.375"	.453"	500
DP1500	Black	1.500"	.125"	1.672"	.453"	250
DP1750	Black	1.750"	.125"	1.906"	.453"	250
DP2000	Black	2.000"	.125"	2.140"	.453"	250
DP3000	Black	3.000"	.125"	3.171"	.750"	300



Dome Plug

BUSHINGS AND PLUGS



Toll Free Phone
800-348-7625
www.lavanture.com



Standard Cable Ties

Available from 4" to 48" with tensile ratings from 18 pounds to 250 pounds. All cable ties are made of 100% natural nylon and feature our bent tip design for ease of application. Operating temperatures are from -40 to 185 degrees F. Our cable ties are UL approved and manufactured in a ISO-9002 facility.

Standard Cable Ties

Stock#	Color	Maximum Bundle Diameter	Tensile Strength Pounds	Length	Width	Bag Quantity	Bulk Pack
LPC-40	Natural	1"	18	4.0"	.10"	1,000	25,000
LPC-41	Natural	1.3"	40	5.9"	.13"	1,000	25,000
LPC-42	Natural	2.16"	50	8.0"	.19"	1,000	10,000
LPC-43	Natural	3.18"	50	11.0"	.19"	1,000	5,000
LPC-44	Natural	4"	50	14.5"	.19"	1,000	5,000
LPC-45HD	Natural	4"	120	14.5"	.29"	100	2,000
LPC-51HD	Natural	5.5"	175	21.0"	.35"	50	500
LPC-55HD	Natural	7.3"	175	24.0"	.35"	50	500
LPC-60HD	Natural	10.6"	175	37.0"	.35"	50	500

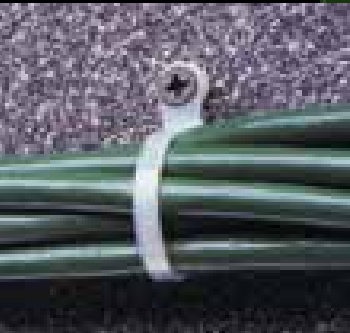


Ultraviolet Black Cable Ties

Designed to resist degradation by ultraviolet rays. Manufactured with black UV nylon material.

Ultraviolet Cable Ties

Stock#	Color	Maximum Bundle Diameter	Tensile Strength Pounds	Length	Width	Bag Quantity	Bulk Pack
LPC-40B	Black	1"	18	4.0"	.10"	1,000	25,000
LPC-41B	Black	1.3"	40	5.9"	.13"	1,000	25,000
LPC-42B	Black	2.16"	50	8.0"	.19"	1,000	10,000
LPC-43B	Black	3.18"	50	11.0"	.19"	1,000	5,000
LPC-44B	Black	4"	50	14.5"	.19"	1,000	5,000
LPC-45HDB	Black	4"	120	14.5"	.29"	100	2,000
LPC-51HDB	Black	5.5"	175	21.0"	.35"	50	500
LPC-55HDB	Black	7.3"	175	24.0"	.35"	50	500
LPC-60HDB	Black	10.6"	175	37.0"	.35"	50	500



Screw Mount Cable Ties

Use a screw eye to position and secure bundled harnesses with a #10 size screw, bolt or rivet. Manufactured with the same care as our standard cable ties.

Available in both natural and black UV nylon material.

Screw Mount Cable Ties

Stock#	Color	Maximum Bundle Diameter	Tensile Strength Pounds	Length	Width	Bag Quantity	Bulk Pack
LPC-42SM	Natural	2.3"	50	8.0"	.19"	1,000	10,000
LPC-42SMB	Black	2.3"	50	8.0"	.19"	1,000	10,000
LPC-43SM	Natural	2.9"	50	11.0"	.19"	1,000	5,000
LPC-44SM	Natural	4"	50	14.5"	.19"	1,000	5,000
LPC-44SMB	Black	4"	50	14.5"	.19"	1,000	5,000



Toll Free Phone
800-348-7625
www.lavanture.com

Cable Tie Mounts

Are adhesive backed for easy installation. Made of Nylon 6/6 material which can secure 18 to 50 pound cable ties to most clean and dry surfaces.

Cable Tie Mounts			
Stock#	Size Inches	Color	Bag Quantity
FTH5	.50"	Natural	1,000
FTH7	.75"	Natural	1,000
FTH11	1.1"	Natural	1,000



Adhesive-Backed Wire Clips

Have an expanding, low profile, design which allows for a larger wire range. Quick and easy installation, simply peel off backing and press into place. A quality wire management device.

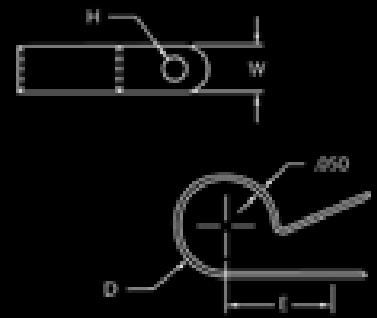
Adhesive-Backed Wire Clips			
Stock#	Size Inches	Color	Bag Quantity
KKD8	.375"	White	1,000
KKD10	1.000"	Gray	700



Nylon Cable Clamps

Molded by a leading manufacturer of nylon products. These heavy-duty nylon clamps secure, insulate and route cable, wiring, tubing, piping and fiber optics. Tough, durable, and chemical resistant, these nylon 6/6 cable clamps are perfect for applications in electronics, automotive, aircraft, appliance and many other industries. All contact edges have a full radius for product protection. Sizes are clearly marked on each clamp.

Nylon Cable Clamps							
Stock#	Color	I.D. Diameter (D)	Band Width (W)	Mount Hole (H)	I.D. Center To Mount Hole Center (E)	Bag Quantity	Bulk Pack
LPC-2	Black	0.125"	0.375"	0.203"	0.315"	1,000	20,000
LPC-2W	White	0.125"	0.375"	0.203"	0.315"	1,000	20,000
LPC-3	Black	0.188"	0.375"	0.167"	0.425"	1,000	20,000
LPC-3W	White	0.188"	0.375"	0.167"	0.425"	1,000	20,000
LPC-4	Black	0.250"	0.375"	0.203"	0.410"	1,000	20,000
LPC-4W	White	0.250"	0.375"	0.203"	0.410"	1,000	20,000
LPC-5	Black	0.313"	0.375"	0.167"	0.500"	1,000	20,000
LPC-5W	White	0.313"	0.375"	0.167"	0.500"	1,000	20,000
LPC-6	Black	0.375"	0.375"	0.203"	0.530"	1,000	20,000
LPC-6W	White	0.375"	0.375"	0.203"	0.530"	1,000	20,000
LPC-8	Black	0.500"	0.375"	0.203"	0.595"	1,000	20,000
LPC-8W	White	0.500"	0.375"	0.203"	0.595"	1,000	20,000
LPC-10	Black	0.652"	0.500"	0.203"	0.655"	1,000	10,000
LPC-10W	White	0.652"	0.500"	0.203"	0.655"	1,000	10,000
LPC-12	Black	0.750"	0.500"	0.203"	0.780"	1,000	10,000
LPC-12W	White	0.750"	0.500"	0.203"	0.780"	1,000	10,000
LPC-14	Black	0.875"	0.500"	0.203"	0.845"	1,000	5,000
LPC-14W	White	0.875"	0.500"	0.203"	0.845"	1,000	5,000
LPC-16	Black	1.000"	0.500"	0.203"	0.910"	1,000	5,000
LPC-16W	White	1.000"	0.500"	0.203"	0.910"	1,000	5,000
LPC-24	Black	1.250"	0.500"	0.203"	1.060"	500	5,000
LPC-24W	White	1.250"	0.500"	0.203"	1.060"	500	5,000
LPC-28W	White	1.500"	0.500"	0.203"	1.190"	500	3,000



WIRE MANAGERS AND PLASTIC CLAMPS



Toll Free Phone
800-348-7625
www.lavanture.com

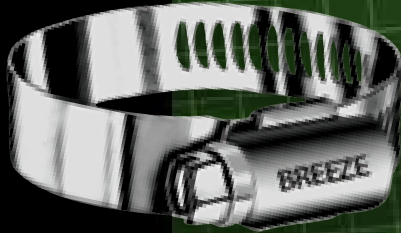


BREEZE®

LaVanture Products distributes a full line of high quality stainless steel hose clamps to fit a wide variety of applications. From a leading U.S. manufacturer these clamps are designed to meet our high quality standards and have passed rigid testing programs.

STAINLESS HOSE CLAMPS

Hose Clamps are versatile accessories that help you complete any job that requires a connection between a hose or tube and another object. From plumbing and auto repair to marine applications, hose clamps keep connections from leaking or bursting. LaVanture offers a wide selection of clamps for a variety of projects.



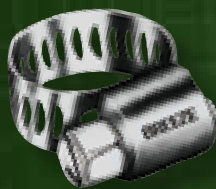
PowerSeal® Clamps

General-purpose industrial clamps. High strength interlocked construction. PowerSeal® hose clamps exceed all SAE requirements. Use for all standard applications. Manufactured with a 1/2" stainless steel band and a plated hex screw.

PowerSeal® Clamps				
Stock#	Hex Screw	Diameter Range		Master Carton Quantity
		Minimum	Maximum	
62006	Plated	7/16"	25/32"	200
62008	Plated	1/2"	29/32"	200
62010	Plated	9/16"	1-1/16"	500
62012	Plated	11/16"	1-1/4"	500
62016	Plated	13/16"	1-1/2"	500
62020	Plated	13/16"	1-3/4"	500
62024	Plated	1-1/16"	2"	500
62028	Plated	1-5/16"	2-1/4"	500
62032	Plated	1-9/16"	2-1/2"	500
62036	Plated	1-13/16"	2-3/4"	500
62040	Plated	2-1/16"	3"	200
62044	Plated	2-5/16"	3-1/4"	200
62048	Plated	2-9/16"	3-1/2"	200
62052	Plated	2-13/16"	3-3/4"	200
62056	Plated	3-1/16"	4"	300
62060	Plated	3-5/16"	4-1/4"	200
62064	Plated	3-9/16"	4-1/2"	200
62072	Plated	1-7/8"	5"	100
62080	Plated	2-1/2"	5-1/2"	100
62104	Plated	4-1/8"	7"	200

Miniature Clamps

A lightweight streamlined clamp generally used in small diameter applications such as air, fuel and water lines. The streamlined configuration allows for installation in tight fitting or difficult to reach areas. This clamp creates high sealing pressure with only 10" to 15"/lbs. of torque. Manufactured with a 5/16" stainless steel band and a plated hex screw or Marine grade stainless steel hex screw.



Miniature Clamps				
Stock#	Hex Screw	Diameter Range		Master Carton Quantity
		Minimum	Maximum	
3504	Plated	7/32"	5/8"	500
3506	Plated	7/16"	25/32"	500
3510	Plated	9/16"	1-1/16"	200
3704	Marine SS	7/32"	5/8"	500
3706	Marine SS	1/16"	25/32"	500
3708	Marine SS	1/2"	29/32"	1000
3710	Marine SS	9/16"	1-1/16"	200



Toll Free Phone
800-348-7625
www.lavanture.com



Marine Grade Clamps (All Stainless Steel)

The clamps are made from stainless steel so they deliver up to twice the clamping strength of standard clamps, and eliminate any concern of corrosion.

Marine Grade High Corrosion Resisting Clamps				
Stock#	Hex Screw	Diameter Range		Master Carton Quantity
		Minimum	Maximum	
63006	Stainless	7/16"	25/32"	200
63008	Stainless	1/2"	29.32"	200
63010	Stainless	9/16"	1-1/16"	500
63012	Stainless	11/16"	1-1/4"	500
63016	Stainless	13/16"	1-1/2"	500
63020	Stainless	13/16"	1-3/4"	500
63024	Stainless	1-1/16"	2"	500
63028	Stainless	1-5/16"	2-1/4"	500
63032	Stainless	1-9/16"	2-1/2"	500
63036	Stainless	1-13/16"	2-3/4"	500
63040	Stainless	2-1/16"	3"	200
63044	Stainless	2-5/16"	3-1/4"	200
63048	Stainless	2-9/16"	3-1/2"	200
63052	Stainless	2-13/16"	3-3/4"	200
63064	Stainless	3-9/16"	4-1/2"	200
63072	Stainless	1-7/8"	5"	100
63088	Stainless	3-1/8"	6"	100
63104	Stainless	4-1/8"	7"	100

Aero Seal® Clamps (Industrial/Aircraft)

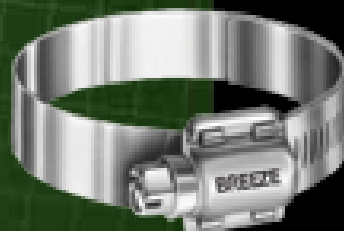
A heavy-duty four-piece QUADRA-LOCK construction that enables far more tightening torque to be delivered to the band perforations. Use for aircraft and heavy-duty industrial applications. Manufactured with a 9/16" stainless steel band and hex screw.

Aero Seal® Industrial/Aircraft Clamps				
Stock#	Hex Screw	Diameter Range		Master Carton Quantity
		Minimum	Maximum	
20010	Stainless	9/16"	1-1/16"	500
20016	Stainless	13/16"	1-1/2"	200

LaVanture Hose Clamps

are made of durable stainless steel, so the connections are secure. The stainless steel construction will deliver up to twice the clamping strength of standard clamps and eliminate concerns about corrosion as well.

- Excellent for auto, marine, and industrial applications.
- Made in USA.
- Call for Pricing and Additional Sizes.



STAINLESS HOSE CLAMPS

LaVanture is your best source for quality stainless hose clamps. We can help select the best clamp for your applications.

Don't See the Clamp You Need?? Call Us, We Can Probably Supply It!!



Toll Free Phone
800-348-7625
www.lavanture.com



T-Bolt Clamps

T-Bolt clamps provide comprehensive application coverage and are performance engineered for long term durability and manufactured to the highest quality standards. This high strength clamp is designed for industrial, marine and vehicle applications with a stainless steel 3/4" band width, "floating" bridge liner and plated bolt with nylon insert locknut.



T-BOLT CLAMPS

T-Bolt Applications:

- Turbo
- Marine Exhaust
- Diesel Exhaust
- Air Brakes
- Diaphragm Bodies
- Flanged Tanks
- Pumps Dairy Industry
- Canisters Lab Equipment
- Bleed Air Systems
- Filter Bags
- Sanitary Systems



Toll Free Phone
800-348-7625
www.lavanture.com

T-Bolt Clamps

Stock#	Hex Screw	Minimum	Maximum	Carton Qty.
TB125	Plated	1.25"	1.39"	50
TB138	Plated	1.38"	1.52"	50
TB150	Plated	1.50"	1.64"	50
TB163	Plated	1.63"	1.88"	50
TB175	Plated	1.75"	2.00"	50
TB188	Plated	1.88"	2.19"	50
TB200	Plated	2.00"	2.31"	50
TB213	Plated	2.13"	2.44"	50
TB225	Plated	2.25"	2.56"	50
TB238	Plated	2.38"	2.69"	50
TB250	Plated	2.50"	2.81"	50
TB263	Plated	2.63"	2.94"	50
TB275	Plated	2.75"	3.06"	50
TB288	Plated	2.88"	3.19"	50
TB300	Plated	3.00"	3.31"	50
TB306	Plated	3.06"	3.38"	50
TB313	Plated	3.13"	3.44"	50
TB325	Plated	3.25"	3.56"	50
TB338	Plated	3.38"	3.69"	50
TB350	Plated	3.50"	3.81"	50
TB356	Plated	3.56"	3.88"	50
TB363	Plated	3.63"	3.94"	50
TB375	Plated	3.75"	4.06"	50
TB400	Plated	4.00"	4.31"	50
TB406	Plated	4.06"	4.38"	50
TB413	Plated	4.13"	4.44"	50
TB425	Plated	4.25"	4.56"	50
TB450	Plated	4.50"	4.81"	50
TB456	Plated	4.56"	4.88"	50
TB475	Plated	4.75"	5.06"	50
TB500	Plated	5.00"	5.31"	10
TB525	Plated	5.25"	5.56"	10
TB550	Plated	5.50"	5.81"	10
TB575	Plated	5.75"	6.06"	10
TB600	Plated	6.00"	6.31"	10
TB625	Plated	6.25"	6.56"	10
TB650	Plated	6.50"	6.81"	10
TB675	Plated	6.75"	7.06"	10
TB700	Plated	7.00"	7.31"	10
TB725	Plated	7.25"	7.56"	10
TB750	Plated	7.50"	7.81"	10
TB775	Plated	7.75"	8.06"	10
TB800	Plated	8.00"	8.31"	10
TB825	Plated	8.25"	8.56"	10
TB850	Plated	8.50"	8.81"	10

**Custom O.E.M Sizes Available.
 Call for Information**

Constant-Torque® Clamps



Constant-Torque® Clamps				
Stock#	Hex Screw	Minimum	Maximum	Carton Qty.
CT9410	Stainless	9/16"	1-1/16"	200 pcs.
CT9412	Stainless	11/16"	1-1/4"	200 pcs.
CT9416	Stainless	13/16"	1-1/2"	200 pcs.
CT9420	Stainless	13/16"	1-3/4"	200 pcs.
CT9424	Stainless	1-1/16"	2.00"	200 pcs.
CT9428	Stainless	1-5/16"	2-1/4"	100 pcs.
CT9432	Stainless	1-9/16"	2-1/2"	100 pcs.
CT9436	Stainless	1-13/16"	2-3/4"	100 pcs.
CT9440	Stainless	2-1/16"	3.00"	100 pcs.
CT9444	Stainless	2-5/16"	3-1/4"	100 pcs.
CT9448	Stainless	2-9/16"	3-1/2"	100 pcs.
CT9452	Stainless	2-13/16"	3-3/4"	100 pcs.
CT200L	Stainless	1-1/4"	2-1/8"	100 pcs.

The Constant-Torque® clamp is a breakthrough in clamping technology. A bellville spring mechanism permits the clamp to automatically increase or decrease its own diameter due to changes in operational or environmental temperatures. This unique design eliminates "cold flow" leaks, protects hoses from damage and helps to maintain consistent sealing pressure.



Liner Clamps

Constant-Torque® Clamps				
Stock#	Hex Screw	Minimum	Maximum	Carton Qty.
9206H	Plated	7/16"	25/32"	100 pcs.
9208H	Plated	1/2"	29/32"	100 pcs.
9210H	Plated	9/19"	1-1/16"	100 pcs.
9212H	Plated	11/16"	1-1/4"	100 pcs.
9216H	Plated	13/16"	1-1/2"	100 pcs.
9220H	Plated	13/16"	1-3/4"	100 pcs.
9224H	Plated	1-1/16"	2.00"	100 pcs.
9228H	Plated	1-5/16"	2-1/4"	100 pcs.
9232H	Plated	1-9/16"	2-1/2"	100 pcs.
9236H	Plated	1-13/16"	2-3/4"	100 pcs.
9240H	Plated	2-1/16"	3.00"	100 pcs.
9244H	Plated	2-5/16"	3-1/4"	100 pcs.
9248H	Plated	2-9/16"	3-1/2"	100 pcs.
9252H	Plated	2-13/16"	3-3/4"	100 pcs.
9256H	Plated	3-1/16"	4.00"	100 pcs.
9260H	Plated	3-5/16"	4-1/4"	100 pcs.
9264H	Plated	3-9/16"	4-1/2"	100 pcs.
9272H	Plated	4-1/8"	5.00"	100 pcs.
9280H	Plated	4-5/8"	5-1/2"	100 pcs.
9288H	Plated	5-1/8"	6.00"	100 pcs.
9296H	Plated	5-5/8"	6-1/2"	100 pcs.
92104H	Plated	6-1/8"	7.00"	100 pcs.

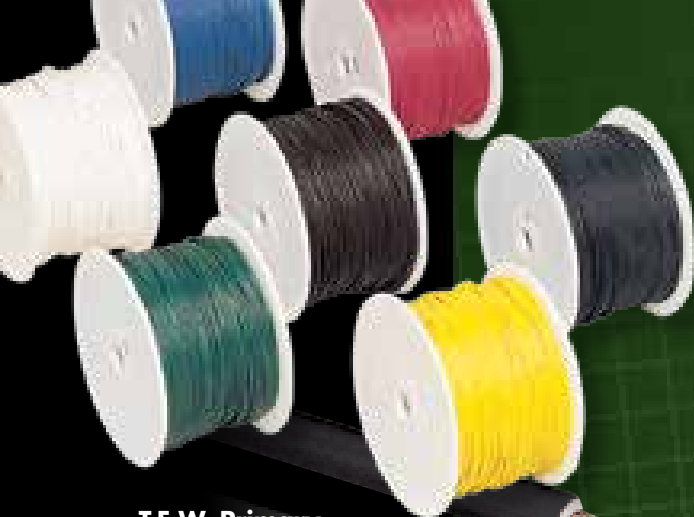


Liner Clamps are integral extensions of the band as an inner liner protects soft-surface hose (silicone and others) from damage caused by extrusion or shearing through the band slots. Liner clamps afford maximum protection to soft hoses while providing a true concentric seal.

CONSTANT TORQUE AND LINER CLAMPS



Toll Free Phone
800-348-7625
www.lavanture.com



T.E.W. Primary Wire Series WP

U.L. style no. 1015 copper stranded, single conductor, thermoplastic insulated primary wire is available in 11 standard colors on plastic spools, wooden reels and bulk barrels*.

- Meets or exceeds all Coast Guard and RVIA standards
- UL and CSA listed appliance wire
- Stocked in 7 colors
- Smooth surface for easy pull through in conduit

8 Gauge Wire Available
Call for Information

Specifications :

Size	Conductor
10 Gauge	105/30
12 Gauge	65/30
14 Gauge	41/30
16 Gauge	26/30

*Bulk Barrels Available :

10 gauge	10,000'
12 gauge	15,000'
14 gauge	25,000'
16 gauge	30,000'
18 gauge	35,000'

Call for Part Numbers and Pricing

Additional colors, custom colors and striping also available.
Call for information.



Toll Free Phone
800-348-7625
www.lavanture.com

Primary Wiring

T.E.W. Primary Wire - Black, White, Red

Black Stock #	White Stock #	Red Stock #	Gauge	Spool
WP10BK-5	WP10WH-5	WP10RD-5	10 ga.	500'
WP10BK-10	WP10WH-10	WP10RD-10	10 ga.	1000'
WP10BK-20	WP10WH-20	WP10RD-20	10 ga.	2000'
WP12BK-5	WP12WH-5	WP12RD-5	12 ga.	500'
WP12BK-10	WP12WH-10	WP12RD-10	12 ga.	1000'
WP12BK-30	WP12WH-30	WP12RD-30	12 ga.	3000'
WP14BK-5	WP14WH-5	WP14RD-5	14 ga.	500'
WP14BK-10	WP14WH-10	WP14RD-10	14 ga.	1000'
WP14BK-50	WP14WH-50	WP14RD-50	14 ga.	5000'
WP16BK-5	WP16WH-5	WP16RD-5	16 ga.	500'
WP16BK-10	WP16WH-10	WP16RD-10	16 ga.	1000'
WP16BK-50	WP16WH-50	WP16RD-50	16 ga.	5000'

8 Gauge Wire Available Call for information

T.E.W. Primary Wire - Blue, Green, Yellow, Brown

Blue Stock #	Green Stock #	Yellow Stock #	Brown Stock #	Gauge	Spool
WP10BU-5	WP10GN-5	WP10YE-5	WP10BN-5	10 ga.	500'
WP10BU-10	WP10GN-10	WP10YE-10	WP10BN-10	10 ga.	1000'
WP10BU-20	WP10GN-20	WP10YE-20	WP10BN-20	10 ga.	2000'
WP12BU-5	WP12GN-5	WP12YE-5	WP12BN-5	12 ga.	500'
WP12BU-10	WP12GN-10	WP12YE-10	WP12BN-10	12 ga.	1000'
WP12BU-30	WP12GN-30	WP12YE-30	WP12BN-30	12 ga.	3000'
WP14BU-5	WP14GN-5	WP14YE-5	WP14BN-5	14 ga.	500'
WP14BU-10	WP14GN-10	WP14YE-10	WP14BN-10	14 ga.	1000'
WP14BU-50	WP14GN-50	WP14YE-50	WP14BN-50	14 ga.	5000'
WP16BU-5	WP16GN-5	WP16YE-5	WP16BN-5	16 ga.	500'
WP16BU-10	WP16GN-10	WP16YE-10	WP16BN-10	16 ga.	1000'
WP16BU-50	WP16GN-50	WP16YE-50	WP16BN-50	16 ga.	5000'

Additional colors, custom colors and striping also available. Call for information

T.E.W. Primary Wire - Orange, Purple, Gray, Pink

Orange Stock #	Purple Stock #	Gray Stock #	Pink Stock #	Gauge	Spool
WP10OR-5	WP10PU-5	WP10GY-5	WP10PK-5	10 ga.	500'
WP10OR-10	WP10PU-10	WP10GY-10	WP10PK-10	10 ga.	1000'
WP10OR-20	WP10PU-20	WP10GY-20	WP10PK-20	10 ga.	2000'
WP12OR-5	WP12PU-5	WP12GY-5	WP12PK-5	12 ga.	500'
WP12OR-10	WP12PU-10	WP12GY-10	WP12PK-10	12 ga.	1000'
WP12OR-30	WP12PU-30	WP12GY-30	WP12PK-30	12 ga.	3000'
WP14OR-5	WP14PU-5	WP14GY-5	WP14PK-5	14 ga.	500'
WP14OR-10	WP14PU-10	WP14GY-10	WP14PK-10	14 ga.	1000'
WP14OR-50	WP14PU-50	WP14GY-50	WP14PK-50	14 ga.	5000'
WP16OR-5	WP16PU-5	WP16GY-5	WP16PK-5	16 ga.	500'
WP16OR-10	WP16PU-10	WP16GY-10	WP16PK-10	16 ga.	1000'
WP16OR-50	WP16PU-50	WP16GY-50	WP16PK-50	16 ga.	5000'

Orange, Purple, Gray & Pink are special order.

Additional colors, custom colors and striping also available. Call for information

Jacket Color - Black

Stock #	Conductor	Spool
WTC144	14-4	2500'
WTC144-1	14-4	100'
WTC144-5	14-4	500'
WTC146	14-6	2000'
WTC146-1	14-6	100'
WTC146-5	14-6	500'
WTC147	14-7	2000'
WTC147-1	14-7	100'
WTC147-5	14-7	500'
WTC147M	Multi 7	1500'
WTC147M-1	Multi 7	100'
WTC147M-5	Multi 7	500'
Multi-Gauge & Colors		
2-10 gauge white, black; 1-12 gauge blue		
4-14 gauge red, green, brown, yellow		

Color Code:

4 Conductor: Yellow, Red, Green, Brown
 6 Conductor: Yellow, Red, Green, Brown, Blue, Black
 7 Conductor: Yellow, Red, Green, Brown, Blue, Black, White

Bonded Ribbon Trailer Cable

Brown, White, Yellow, Green

Stock #	Conductor	Spool
WB164BWYG	4-16 ga.	100'
WB164BWYG-5	4-16 ga.	500'
WB164BWYG-10	4-16 ga.	1000'

Trailer Brake Wire

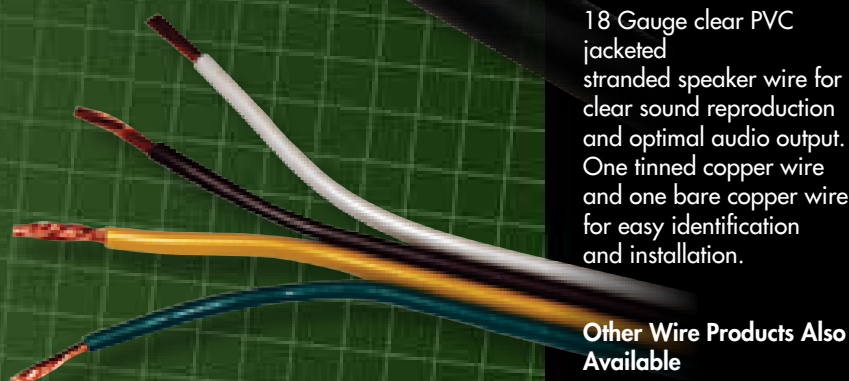
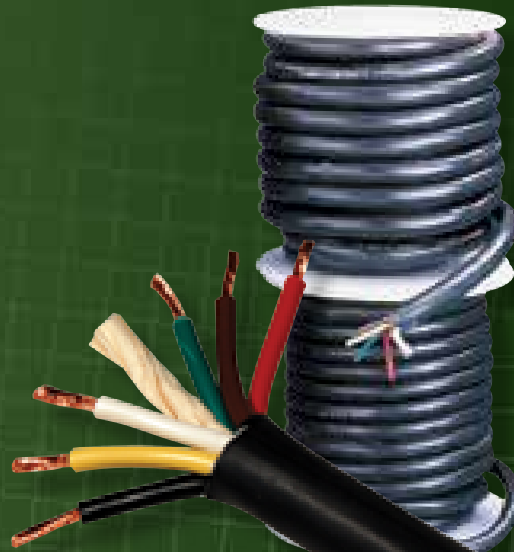
Jacket Color - Red

Stock #	Conductor	Spool
WRB122	12-2 ga	1500'
WRB122-1	12-2 ga.	100'
WRB122-5	12-2 ga.	500'
WRB142	14-2 ga.	2500'
WRB142-1	14-2 ga.	100'
WRB142-5	14-2 ga.	500'

Speaker Wire

Wire Color - Clear

Stock #	Conductor	Spool
WS182	18 ga.	1000'
WS182-50	18 ga.	5000'



Trailer Cable Series WTC

Black jacketed cable with single conductor stranded copper wire color coded for easy identification. A tough, but flexible cable with excellent resistance to abrasion, oil, grease, acid and weather.

Trailer Brake Wire Series WRB

Electric brake wire with 2 conductors (white, black) in a red thermoplastic jacket. Non-Listed.

Speaker Wire Series WSI

18 Gauge clear PVC jacketed stranded speaker wire for clear sound reproduction and optimal audio output. One tinned copper wire and one bare copper wire for easy identification and installation.

Other Wire Products Also Available

- Ripcord
 - Ground Strap
 - Parallel Booster Cable
 - Parallel Wire
 - Cross Link Wire
 - Marine Wire
 - Power Cord
- Call for Availability



Toll Free Phone
800-348-7625
www.lavanture.com

LaVanture Products is a national distributor of Pollak engineered products.

To the heavy duty truck operator or the weekend camper Pollak has always symbolized quality.

Heavy Duty Single Pole Connector Socket/Plug

Has a continuous duty capacity of 300 amps, and is ideal for almost all heavy-duty applications.

11933 Rectangular-to-Round Harness Adaptor

Fits OEM Harnesses.

Series 11400 4 Way Connectors

Are 12 to 24 Volts/20 Amp polarized, chrome die cast ABS plastic and high impact green insulators w/split brass contacts.

Series 11600 6 Way Connectors

Feature high impact interiors of super strength keyed for proper assembly. Brass terminal pins for best conductivity, terminals accept up to #12 gauge wires and plated steel cable guard prevents cable chafing.

Series 1200 7 Way Connectors

Are available in high impact ABS black plastic or heavy duty metal.



Toll Free Phone
800-348-7625
www.lavanture.com



Pollak

POLLAK Heavy Duty Connectors & Adapters

Specifications

Stock #	Discription	Carton Quantity
11761	7 Pole Socket Rubber Socket Boot	100
11851	Single Pole Connectors- Socket	60
11933	Rectangular-to-Round Harness Adaptor	25

12V POLLAK 4 and 6 Way Connectors

Specifications

Stock #	Discription	Carton Quantity
11408	4-Way Complete Chrome	100
11409	4-Way Trailer End Only	175
11410	4-Way Car End Only	125
11603	6-Way Complete Chrome	75
11604	6-Way Trailer End Only	100
11609	6-Way Car End Only	50
11617	Bracket Only for 11408 & 11603	80

12V POLLAK 7-Way Connectors

Specifications

Stock #	Discription	Carton Quantity
11720	Heavy Duty 7 Way Vehicle End	36
12705	7-Way Complete Plastic	50
12706	7-Way Trailer End Only	100
12707	7-Way Car End Only	100
12701	Bracket Only for 12705	90
12704	7-Way Complete Metal w/Bracket	50
12700	7-Way Complete Metal w/o Bracket	40
12702	7-Way Metal Trailer End Only	100
12703	7-Way Metal Car End Only	80

Pollak

POLLAK EZ Trailer Adapters

Specifications

Stock #	Description	Carton Quantity
12717	6-Way Round to 4-Way Flat	125
12716	7-Way Blade-Type to 4-Way Flat	100
12718	7-Way Blade to 5 Way Flat	100
12729	7-Way Blade-Type to 6-Way Round w/Hot Auxiliary Center	100
12719	7-Way Blade-Type to 6-Way Round w/Brake Center Wire	100



POLLAK EZ Trailer Adapters

Are designed to eliminate makeshift jumpers allowing for one vehicle to tow trailers with or without electric brakes.

WISHBONE Trailer Harness



All Wiring is 18 Gauge

Stock #	Description	Carton Quantity
WB-25	4 Way Flat 25 Foot w/ 32 Inch Ground	40
WB-35	4 Way Flat 35 Foot w/ 32 Inch Ground	40
WB5-35	5 Way Flat Marine Harness 35 Foot w/ 48 Inch Ground & Brake	35

Wishbone Trailer Harnesses

Designed with "wishbone" wiring to allow for installation down both sides of trailer with same harness. All wire is 18 gauge and color coded for easy tracking. WB5-35 is designed for use with marine trailers.

7 Way RV/Trailer Connector

Pre assembled with a 7 way trailer connector, available in 4, 8 and 11 foot lengths with black jacketed 18 gauge color coded wire.

7-WAY RV / Trailer Connector

Wiring is Multi-Gauge

Stock #	Description	Carton Quantity
MP7WY-4	7 Way Connector w/ 4 Foot Cord	25
MP7WY-8	7 Way Connector w/ 8 Foot Cord	20
MP7WY-11	7 Way Connector w/ 11 Foot Cord	20
Multi-Gauge & Colors		
10 gauge black, white	12 gauge blue	14 gauge brown, red, yellow, green



ADAPTERS, CONNECTORS, ETC.



Toll Free Phone
800-348-7625
www.lavanture.com



3M® Scotch-Lok Connectors

Make quick reliable insulated splices without stripping, twisting or soldering using only channel-lok pliers.



5,000 Master Carton

Stock #	Description	Quantity
WCL6164	3M 16-14, 560 Blue	500 pc. Bag.
WCL6184	3M 18-14, 564 White	500 pc. Bag
WCL6314	3M 314 Self Stripping Pigtail	1000 pc. Ctn.

Minimum Order Bag/Carton Required

WCL6314 contains a special lubricant to protect from corrosion in damp conditions.

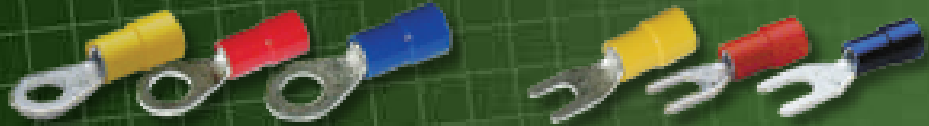


ADAPTERS, CONNECTORS, ETC.

LaVanture Products stocks and distributes a full line of wire management and electrical products designed to meet the challenging applications of today's markets. These quality products are manufactured by companies including 3M, Drossbach, Canusa, Breeze and other industry leading manufacturers.

Ring Tongue and Fork Terminals

Terminals are for easy attachment at end of wire and form a positive connection. Ring Terminals are designed to prevent accidental removal. Fork Terminals can be attached without fully removing the fastener.



Ring Terminals Insulated

Stock #	Description
WCR204	12-10, Yellow 1/4"
WCR206	12-10, Yellow 5/16"
WCR284	22-16, Red 1/4"
WCR288	22-18, Red #10
WCR644	16-14, Blue 1/4"
WCR648	16-14, Blue #10

Fork Terminals Insulated

Stock #	Description	Carton Quantity
WCFT02	12-10, Yellow #10	1000
WCFT26	16-12, Red #10	1000
WCFT266	16-12, Red #6	1000
WCFT64	16-14, Blue #10	1000
WCFT646	16-14, Blue #6	1000
		1000

Butt Splices

Designed for splicing wire during a continuous run. Heat Shrink Butt splices are designed to be self-sealing with heat application. Best used where moisture and corrosion are a problem.



Butt Splices Insulated

Stock #	Description
WCB20	12-10 Yellow
WCB28	22-18 Red
WCB64	16-14, Blue

Heat Shrink Splices

Stock #	Description
WCB20HSY	12-10 Yellow
WCB28HSR	22-18 Red
WCB64HSB	16-14, Blue

Carton Quantity on all Butt Splices 1000 pcs.



Toll Free Phone
800-348-7625
www.lavanture.com

Heat Shrink Tubing

LaVanture Products Heat Shrink Tubing meets all industrial and military requirements for general purpose applications and is available in bulk reels, cut pieces and adhesive lined in black only.



Heat Shrink Tubing Black		
Stock #	Description	Carton Quantity
HS123-1	3/16" x 1" Cut Pcs.	1000 pcs.
HS125-1.25	1/4" x 1.25" Cut Pcs.	6000 pcs.
HS125A-1	1/4" x 1" Cut Pcs. Adhesive Lined	1000 pcs.
HS125A-1.5	1/4" x 1.5" Cut Pcs. Adhesive Lined	2000 pcs.
HS125B	1/4" Bulk Reel	500' reel
HS128-1	5/16" x 1" Cut Pcs.	6000 pcs.
HS128A-1.5	5/16" x 1.5" Cut Pcs.	2000 pcs.
HS134	3/8" Bulk Reel	500' reel
HS134A-1	3/8" x 1" Cut Pcs. Adhesive Lined	1000 pcs.
HS134A-1.5	3/8" x 1.5" Cut Pcs	800 pcs.
HS136	1/2" Bulk Reel	200' reel
HS136A-1.5	1/2" x 1.5" Cut Pcs. Adhesive Lined	2400 pcs.
HS142	1" Bulk Reel	100' reel

All Connectors and Terminals are UL listed and CSA certified

All Heat Shrink Tubing is "Special Order" please call for information.

Wire Connectors

WC series wire connectors are made from UL-94-2 flame retardant material and color coded to industry standards. The winged connectors act as a built in wire wrench for easy application.

Wire Connectors		
Stock #	Description	Carton Quantity
WCS-BU	Standard Blue	1000 pcs.
WCS-GY	Standard Gray	1000 pcs.
WCS-OR	Standard Orange	1000 pcs.
WCS-RD	Standard Red	1000 pcs.
WCS-YW	Standard Yellow	1000 pcs.
WCWN-BU	Winged Blue	1000 pcs.
WCWN-GY	Winged Gray	1000 pcs.
WCWN-RD	Winged Red	1000 pcs.
WCWN-TN	Winged Tan	1000 pcs.
WCWN-YW	Winged Yellow	1000 pcs.

Carton Quantity 1000 pcs. Minimum Order 100 pcs.



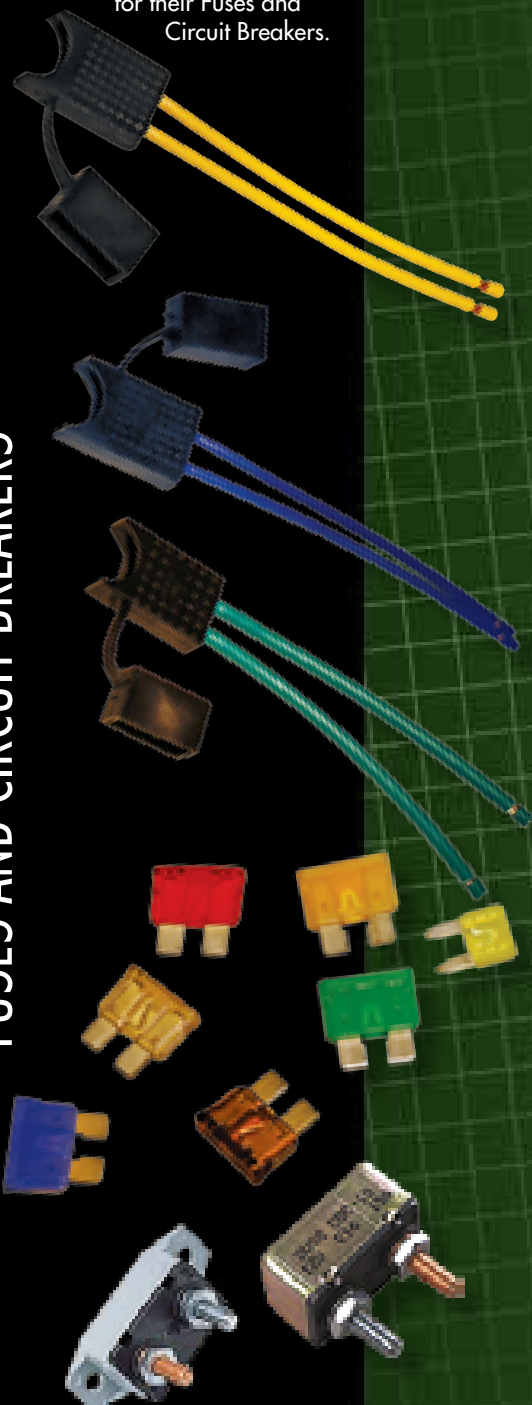
ADAPTERS, CONNECTORS, ETC.



Toll Free Phone
800-348-7625
www.lavanture.com

Cooper Bussmann brand is the industry standard for circuit protection. LaVanture Products is proud to be a national distributor for their Fuses and Circuit Breakers.

FUSES AND CIRCUIT BREAKERS



Toll Free Phone
800-348-7625
www.lavanture.com

Fuse Holders (Blade-Type) are colored coded ATC holders with 12 inches of T.E.W., CSA and UL approved wire. The series GMF fuse holders are available with and without fuses.

Fuse Holders (Blade-Type)						
Stock# w/o Fuse	Carton Quantity	Stock# w/Fuse	Carton Quantity	Amp.	Gauge	Color
GMFH807	100	GMFH807A	25	7.5 amp.	16 ga.	Red
GMFH810	100	GMFH810A	25	30 amp.	10 ga.	Green
GMFH812	100	GMFH812A	25	20 amp.	12 ga.	Yellow
GMFH814	100	GMFH814A	25	15 amp.	14 ga.	Blue
GMFH816	100	GMFH816A	25	10 amp.	16 ga.	Red
GMFH818	100	GMFH818A	25	5 amp.	18 ga.	Orange

Bulk Fuses (Blade-Type)			
Stock#	Description	Color	Carton Quantity
GM1	1-Amp Blade Fuse	Black	2000
GM3	3- Amp Blade Fuse	Purple	2000
GM5	5- Amp Blade Fuse	Orange	2000
GM7	7.5- Amp Blade Fuse	Burgundy	2000
GM10	10- Amp Blade Fuse	Red	2000
GM15	15- Amp Blade Fuse	Blue	2000
GM20	20-Amp Blade Fuse	Yellow	2000
GM25	25- Amp Blade Fuse	Clear	2000
GM30	30- Amp Blade Fuse	Green	2000

Mini Bulk Fuses (Blade-Type)			
Stock#	Description	Color	Carton Quantity
GM5M	5-Amp Mini Blade Fuse	Orange	500
GM7M	7.5-Amp Mimi Blade Fuse	Burgundy	500
GM10M	10-Amp Mimi Blade Fuse	Red	500
GM15M	15-Amp Mimi Blade Fuse	Blue	500
GM20M	20-Amp Mimi Blade Fuse	Yellow	500
GM25M	25-Amp Mimi Blade Fuse	Clear	500
GM30M	30-Amp Mimi Blade Fuse	Green	500

Circuit Breakers:

These circuit breakers are used in variety heavy-duty truck and automotive applications. Use ring terminals to connect breaker into circuit these stud-type circuit breakers feature a patented.

Circuit Breakers (Automotive)		
Stock#	Description	Carton Quantity
CB15A-3N	15-Amp Auto w/ nuts	100
CB15M-3N	15-Amp Type III w/ nuts	100
CB20A-3N	20-Amp Auto w/ nuts	100
CB20M-3N	20-Amp Type III w/ nuts	100
CB30A-3N	30-Amp Auto w/ nuts	100
CB30M-3N	30-Amp Type III w/ nuts	100
CB50A-3N	50-Amp Auto w/ nuts	100
CB50M-3N	50-Amp Type III w/ nuts	100

Smoke and Gas Detectors

First Alert BRK battery smoke alarms are designed to be easy to install, easy to maintain, and quality-engineered for years of virtually maintenance-free service. Models are available with 9 volt battery power and hard wire installations. All models are UL listed and feature a 10 year manufacturer limited warranty.

First Alert BRKSCO5MRVA combination smoke/carbon monoxide alarms are designed to be easy to install, easy to maintain, and quality-engineered for years of virtually maintenance-free service. It features easy alarm identification through different horn sounds and lights, single button test/silence with photoelectric smoke and electrochemical CO sensors.

First Alert BRKLPAC-415R LP is a **12V DC/AC LP** gas detector designed with a relay for hardwire installation. It features self-diagnosing circuitry and pre-set to alarm before gas levels reached 25% of "lower explosive level" LEL. UL listed with a 5 year manufacturer warranty.



Kidde RC914 are battery operated smoke alarms that utilize ionization sensing technology. These easy to install units includes a test button to verify the detection electronics are working properly. RC914 is UL listed with a 3 year manufacturer warranty and RC914C is CSA approved with a 1 year manufacturer warranty.

Detectors		
Stock#	Description	Carton Quantity
BRKSCO5MRVA	Carbon Monoxide/Smoker detector	48
BRKCO400MRVA	Carbon Monoxide Detector UL/CSA	48
BRKLPAC-415R	LP Gas Detector	4
BRK250RV-48B	Ion Smoke Detector UL/RV	6
BRK250RVA-48B	Ion Smoke Detector RV (Canada Only)	6
RC914	Smoke Detector	40
RC914C	Smoke Detector CSA	48



BRK250RV-48B



BRKSCO5MRVA



BRKLPAC-415R



RC914

SMOKE AND GAS DETECTORS



Toll Free Phone
800-348-7625
www.lavanture.com



Fire Extinguishers

LaVanture Products stocks and distributes high quality safety products from leading manufacturers. All these products meet our quality standards and have passed a rigid testing program.



RC100D and RC210 series rechargeable fire extinguishers are full-featured multipurpose line units. They feature chrome plated brass valves and a 6 year manufacturer warranty. They are UL Listed/Classified and meet or exceed NFPA home and workplace requirements. RC100D is shipped w/o bracket and RC210 shipped with bracket.

RC10 series rechargeable multi-purpose single use fire extinguishers are constructed with an aluminum cylinder and nylon valve assembly. Features include a pressure gauge for immediate status check, 10 year manufacturer warranty and UL listing.

RC1A10 series multi purpose dry chemical single use fire extinguishers are constructed with an aluminum cylinder and nylon valve assembly including a pressure gauge for immediate status check, 6 year manufacturer warranty, UL and D.O.T. approved.

First Alert®

BRKBF5 fire extinguishers with a sodium bicarbonate extinguishing agent feature an easy-to-use pin pressure indicator and a 5 year manufacturer limited warranty. They are bulk packed making them perfect for production line applications.

BRKFE1A10GA is a non-rechargeable multi-purpose fire extinguisher with a monoammonium phosphate extinguishing agent for general home use. Feature a SureGrip valve and trigger, bracket and strap for easy mounting and a 10 year manufacturer warranty. It is U.S. Coast Guard approved for marine applications.

BRKFE5R-PWCNA is rechargeable marine fire extinguisher with a sodium bicarbonate extinguishing agent for use in boats and RV's. featuring a commercial-grade metal valve and trigger, easy-to-read pressure gauge, 10 year manufacturer warranty and is shipped with a bracket and strap. It is U.S. Coast Guard approved for marine use.



Toll Free Phone
800-348-7625
www.lavanture.com



Fire Extinguishers		
Stock#	Description	Carton Quantity
BRKBF5-B	Fire Extinguisher with Bracket	6
BRKFE5R	Marine Fire Extinguisher UL/CSA	6
BRKFE2S5A-6B	Fire Extinguisher with Bracket UL/CSA	6
RC100D	Fire Extinguisher without Bracket	6
RC210DB	Fire Extinguisher with Bracket	6
RC210DC	Fire Extinguisher with Bracket CSA	6
BRKFE1A10GOA	Fire Extinguisher with Bracket UL/CSA	6
RC10BC	"Fire Away" Extinguisher with Bracket	6
RC10C	"Fire Away" Extinguisher with Bracket CSA	6
RC1A10	Fire Extinguisher with Bracket	6
RC2A10AA	Fire Extinguisher with Bracket (466400)	4
BRKFE3A40GR	Fire Extinguisher with Metal Bracket, HD Gauge	

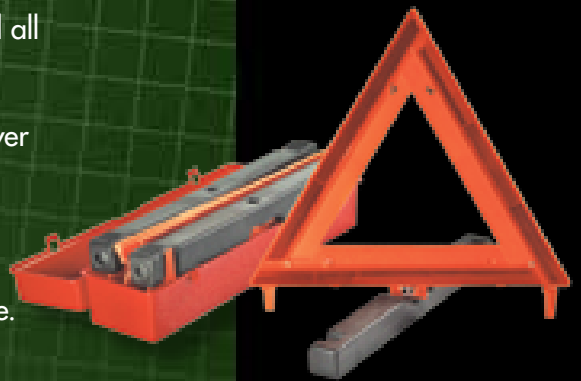


Brackets		
Stock#	Description	Carton Quantity
RC440161	Fire Extinguisher Bracket CSA/USCG	6
BRKFEBRA5-6	Fire Extinguisher Bracket CSA/USCG	2
BRKB707800	Fire Extinguisher Bracket for BF5 Extinguisher	50
RC366242	Fire Extinguisher Bracket for 10# Extinguisher	1

Highway Safety Warning Triangles

Kit of three triangles in high-density plastic case.

- Meets or exceeds all applicable DOT standard FMVSS 125 and all state and legal requirements.
- Set-up requires no tools.
- Precision reflex tooling provides reflectors with high candle power beam for night use.
- Fluorescent inner triangle warns daytime traffic.
- Self-contained unit needs no power source.
- No skid rubber feet keep the triangle in place in high wind.
- Placement instructions permanently printed on case and triangle.



Mounting Bracket:

Steel bracket, Zinc plated, 12 gauge with 14 gauge strap.

Highway Safety Triangle Kits		
Stock#	Description	Carton Quantity
1005	Deluxe Kit with 3 Triangles 18-3/4" L x 5" W	6 sets
1005B-1	Deluxe Zinc Plated Bracket 18-1/2" L x 1.25" W	2 pc.
LERT10	Kit with 3 Triangles 18-1/4" L x 4-1/2" W	4 sets
LETB8891005	Bracket 18-3/4" L x 5" W	1 pc.



Toll Free Phone
800-348-7625
www.lavanture.com

LaVanture Products
inventories and distributes a wide variety of tape products from 3M Products, Shurtape, Intertape and many other leading manufacturers. With the emphasis on quality and competitive pricing.

We've Got Tape!!!

from Leading Manufacturers... at Competitive Prices

Duct Tape

Series PC-460 is a general purpose 6 mil co-extruded duct tape with a waterproof backing and natural rubber adhesive.

Series PC-590 is a general purpose 6 mil co-extruded cloth duct tape with a waterproof backing and natural rubber adhesive.

C519-200 is 3M 3939 premium 9 mil duct tape designed for use in packaging, bundling, sealing, seaming, repairing and waterproofing general applications.



Duct Tape

Stock#	Description	Color	Size	Carton Qty.
PC460-2	6 mil General Purpose Duct Tape	Silver	2" x 60 yd.	24 rolls
PC460-3	6 mil General Purpose Duct Tape	Silver	3" x 60 yd.	16 rolls
PC590-2	7 mil General Purpose Duct Tape	Silver	2" x 60 yd.	24 rolls
PC590-2B	7 mil General Purpose Duct Tape	Black	2" x 60 yd.	16 rolls
C519-200	9 mil 3M Duct Tape 3939	Silver	2" x 60 yd.	24 rolls

Masking Tape

Series CP-106 is a general purpose masking tape with solvent-less adhesive providing an economical solution for everyday applications.

Masking Tape

Stock#	Description	Color	Size	Carton Qty.
CP106-75	5.2 mil Masking Tape	Beige	3/4" x 60 yd.	48 rolls
CP106-2	5.2 mil Masking Tape	Beige	2" x 60 yd.	24 rolls
CP106-3	5.2 mil Masking Tape	Beige	3" x 60 yd.	16 rolls

Color Masking Tape

Series CP632 is a lightweight general purpose masking tape, available in four colors, used for quality control marking, carton identification and other light masking tape applications

Color Masking Tape

Stock#	Description	Color	Size	Carton Qty.
CP632-375BLU	3/8" Masking Tape	Blue	3/8" x 60 yd.	96 rolls
CP632-375GN	3/8" Masking Tape	Green	3/8" x 60 yd.	96 rolls
CP632-375R	3/8" Masking Tape	Red	3/8" x 60 yd.	96 rolls
CP632-375YW	3/8" Masking Tape	Yellow	3/8" x 60 yd.	96 rolls

Carpet Tape

DF545-2 Premium grade double-sided carpet tape used to hold carpet and pad applications. Engineered with a versatile adhesive system that provides strength and clean removability. Blended natural and synthetic rubber provides superior adhesion to concrete, tile, hardwood, and other irregular surfaces.

Carpet Tape

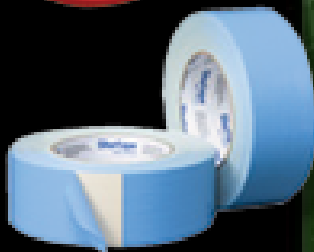
Stock#	Description	Color	Size	Carton Qty.
DF545-2	Double Sided Carpet Tape	Black	2" x 36 yd.	24 rolls

Black Bottom Board Tape

PC658-28 is a black bottom board tape used for seaming and sealing bottom board materials in pre-manufactured homes and RVs during assembly, set-up and maintenance. Used for applications where a high tensile, adhesion and thickness are desired.

Black Bottom Board Tape

Stock#	Description	Color	Size	Carton Qty.
PC658-28	17 mil Black Bottom Board Tape	Black	2" x 60 yd.	24 rolls



Toll Free Phone
800-348-7625
www.lavanture.com

Painter's Tape

Series CP27 Painter's tape products get the job done. Whether you need a tape that will last up to 30 days in direct sunlight or a tape designed to hold a plastic drop cloth, we've got you covered. With these tapes, you can expect a well-protected surface and sharp, clean lines.

Painter's Tape				
Stock#	Description	Color	Size	Carton Qty.
CP27-75	Premium Painters Tape	Blue	3/4" x 60 yd.	48 rolls
CP27-10	Premium Painters Tape	Blue	1" x 60 yd.	36 rolls
CP27-15	Premium Painters Tape	Blue	1.5" x 60 yd.	24 rolls
CP27-2	Premium Painters Tape	Blue	2" x 60 yd.	24 rolls



Foil Tape

Series C519 is a premium 2 mil aluminum foil tape with a pressure sensitive adhesive and paper liner. The liner is removed for final application and the aggressive adhesive once applied provides a durable performance.

Foil Tape				
Stock#	Description	Color	Size	Carton Qty.
C519-200F	2 mil Foil Tape	Aluminum	2" x 50 yd.	24 rolls
C519-300F	2 mil Foil Tape	Aluminum	3" x 50 yd.	16 rolls
C519-400F	2 mil Foil Tape	Aluminum	4" x 50 yd.	12 rolls
C519-600F	2 mil Foil Tape	Aluminum	6" x 50 yd.	8 rolls

Electrical Tape

3M 1700 TemFlex electrical tape is designed for heavy duty applications. "The best electrical tape on the market". Color electrical tapes are designed for use in phase identification, color coding of motor leads, piping systems and marking safety areas.

Electrical Tape				
Stock#	Description	Color	Size	Carton Qty.
C302-75	3M 1700 TemFlex Electrical Tape	Black	3/4" x 60 ft.	10 Roll sleeve/100 roll ctn.
C302-75BN	3M 1700 TemFlex Electrical Tape	Brown	3/4" x 66 ft.	10 Roll sleeve/100 roll ctn.
C302-75BU	3M 1700 TemFlex Electrical Tape	Blue	3/4" x 66 ft.	10 Roll sleeve/100 roll ctn.
C302-75GN	3M 1700 TemFlex Electrical Tape	Green	3/4" x 66 ft.	10 Roll sleeve/100 roll ctn.
C302-75GY	3M 1700 TemFlex Electrical Tape	Gray	3/4" x 66 ft.	10 Roll sleeve/100 roll ctn.
C302-75OR	3M 1700 TemFlex Electrical Tape	Orange	3/4" x 66 ft.	10 Roll sleeve/100 roll ctn.
C302-75RD	3M 1700 TemFlex Electrical Tape	Red	3/4" x 66 ft.	10 Roll sleeve/100 roll ctn.
C302-75WH	3M 1700 TemFlex Electrical Tape	White	3/4" x 66 ft.	10 Roll sleeve/100 roll ctn.
C302-75YW	3M 1700 TemFlex Electrical Tape	Yellow	3/4" x 66 ft.	10 Roll sleeve/100 roll ctn.
C333-75	3M Super 33+ Electrical Tape	Black	3/4" x 66 ft.	Packaged Individually/100 roll ctn.

The "best" electrical tape on the market at competitive prices.

LaVanture series electrical tapes are designed for general medium to light duty applications. It is economically priced to meet volume cost margins.

LaVanture Electrical Tape				
Stock#	Description	Color	Size	Carton Qty.
LPC-ETB	LaVanture Products Electrical Tape	Black	3/4" x 60 ft.	6 Roll sleeve/144 roll ctn.
LPC-ETBU	LaVanture Products Electrical Tape	Blue	3/4" x 66 ft.	6 Roll sleeve/144 roll ctn.
LPC-ETRD	LaVanture Products Electrical Tape	Red	3/4" x 66 ft.	6 Roll sleeve/144 roll ctn.
LPC-ETWH	LaVanture Products Electrical Tape	White	3/4" x 66 ft.	6 Roll sleeve/144 roll ctn.
LPC-ETGN	LaVanture Products Electrical Tape	Green	3/4" x 66 ft.	6 Roll sleeve/144 roll ctn.
LPC-ETGY	LaVanture Products Electrical Tape	Gray	3/4" x 66 ft.	6 Roll sleeve/144 roll ctn.
LPC-ETYW	LaVanture Products Electrical Tape	Yellow	3/4" x 66 ft.	6 Roll sleeve/144 roll ctn.



INDUSTRIAL TAPES



Toll Free Phone
800-348-7625
www.lavanture.com

Strapping Tape

Series **GS490** is a filament strapping tape with a polypropylene backing that prevents splitting or cracking and resists moisture and solvents. It is reinforced with a synthetic rubber/resin hot melt adhesive.

Strapping Tape

Stock#	Description	Color	Size	Carton Quantity
GS490-75	Fiberglass Strapping Tape	Opaque	3/4" x 60 yd.	48 rolls
GS490-10	Fiberglass Strapping Tape	Opaque	1" x 60 yd.	36 rolls
GS490-20	Fiberglass Strapping Tape	Opaque	2" x 60 yd.	36 rolls

Carton Tape

HP100-2 is a high-performance clear tape with an aggressive acrylic adhesive that meets a wide range of temperature applications. Seals cartons for shipping and storage plus protects labels. Meets U.S. postal regulations. Also available is the SD932 premium tape gun for easy application.

Carton Tape

Stock#	Description	Color	Size	Carton Quantity
HP100-2	1.6 mil Packaging Tape	Clear	2" x 60 yd.	36 rolls
HP100-3	1.6 mil Packaging Tape	Clear	3" x 60y d.	24 rolls
SD932	Premium Tape Gun		2"	1 Gun

Shrink Wrap

HSF450 Ultra Precision stretch film utilizes the latest technology to provide remarkable puncture resistance, excellent cling and incredible load retention. This film also provides excellent savings through extreme down gauging without any sacrifice in performance.

PKG3 Winwrap is ultra-low-gauge, pre-stretched hand wrap that is light and easy to handle. It has been pre-stretched for maximum coverage offering excellent cling retention, even in freezer temperatures.

Shrink Wrap

Stock#	Description	Color	Size	Carton Quantity
HSF450	Ultra Precision Hand Stretch Film	Clear	450 mm x 9.4 m x 450 m	4 rolls
PKG3	Winwrap Pre-Stretched Hand Wrap	Clear	3" x 1000 ft.	18 rolls

Anti-Slip Tape

Series **SS Stepsafe** is an 60 grit , pressure sensitive backed tape used for exterior and interior applications to help eliminate accidents due to slippery surfaces. Typical applications include stairways, boats, docks, ramps, vehicle steps, tractor fenders, snowmobiles etc. Safestep is applied by simply removing the paper liner, positioning and pressing into place (we suggest a roller be used for application) on almost any clean, dry surface.

Anti-Slip Tape

Stock#	Description	Color	Size	Carton Quantity
SS2600	StepSafe Anti- Slip	Black Grit	2" x 60 yd.	24 rolls
SS3600	StepSafe Anti- Slip	Black Grit	3" x 60 yd.	16 rolls
SS4600	StepSafe Anti- Slip	Black Grit	4" x 60 yd.	12 rolls
SS6600	StepSafe Anti- Slip	Black Grit	6" x 60 yd.	8 rolls
SS12600	StepSafe Anti- Slip	Black Grit	12" x 60 yd.	1 roll
SS18600	StepSafe Anti- Slip	Black Grit	18" x 60 yd.	1 roll
SS24600	StepSafe Anti- Slip	Black Grit	24" x 60 yd.	1 roll
SS6024	StepSafe Anti- Slip, Pieces	Black Grit	6" x 24" pcs.	50 pcs.

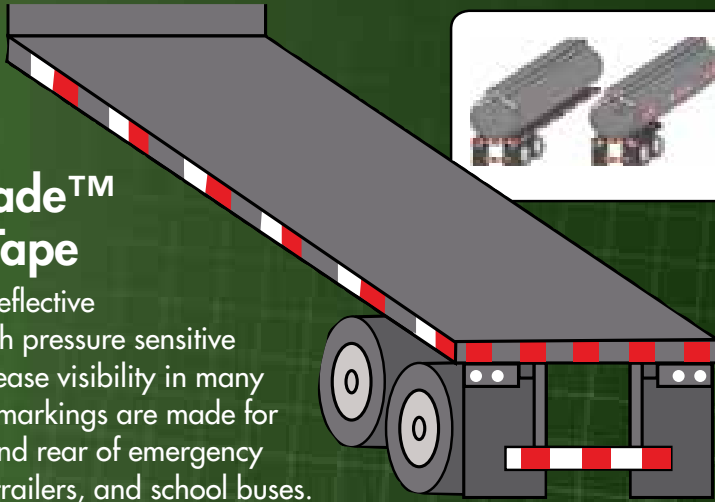


Toll Free Phone
800-348-7625
www.lavanture.com



Diamond Grade™ Conspicuity Tape

Is made from highly reflective prismatic sheeting with pressure sensitive adhesive used to increase visibility in many applications. Vehicle markings are made for application to sides and rear of emergency vehicle, large trucks, trailers, and school buses. They meet and exceed all US DOT and NHTSA requirements.

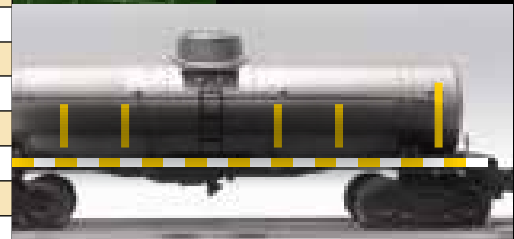


Other Applications

- Emergency Equipment
- Agricultural Equipment
- ATVs
- Personal Watercraft
- Utility Trailers
- Horse Trailers
- Refuge Containers
- Road Signage
- Mailboxes

Rail Cars

3M™ Diamond Grade™ Rail Car Markings meet and exceed FRA-224 specifications. With superior polycarbonate construction and low-temperature adhesive, these markings are easy to apply, bright and reflect at angles up to 90 degrees.



CONSPICUITY TAPES

Conspicuity Safety Markings

Stock#	Description	Carton Quantity
7" WHITE	11" RED	
C983-32ES1C	3M 1" x 50 yds (7"WH 11"RD) Continuous	1 Roll
C983-32ES1.5C	3M 1.5" x 50 yds (7"WH 11"RD) Continuous	1 Roll
C983-32ES	3M 2" x 50 yds (7"WH 11"RD) Continuous	1 Roll
C983-32ESK	3M 2" x 18" x 50 yds (7"WH 11"RD) Kiss Cut	1 Roll
C983-32ES2P	3M 2" x 18" x 50 yds (7"WH 11"RD) 100 Pieces	1 Roll
C983-32ES3	3M 3" x 50 yds (7"WH 11"RD) Continuous	1 Roll
C983-32ES4	3M 4" x 50 yds (7"WH 11"RD) Continuous	1 Roll
6" WHITE	6" RED	
C983-326ES1C	3M 1" x 50 yds 6"x 6" WH/RD Continuous	1 Roll
C983-326ES	3M 1.5" x 50 yds 6"x 6" WH/RD Continuous	1 Roll
C983-326EES	3M 2" x 50 yds 6"x 6" WH/RD Continuous	1 Roll
C983-326ES3C	3M 3" x 50 yds 6"x 6" WH/RD Continuous	1 Roll
C983-326ES6K	3M 6" x 50 yds 6"x 6" WH/RD Continuous	1 Roll
SOLID WHITE		
C983-10ESWH1C	3M 1" x 50 yds White Continuous	1 Roll
C983-10WHC	3M 2" x 50 yds White Continuous	1 Roll
C983-10ESWH	3M 2" x 50 yds White Kiss Cut	1 Roll
C983-10ESWH2P	3M 2" x 12" 100 White Pieces	1 Roll
C983-10ESWH3C	3M 3" x 50 yds White Continuous	1 Roll
SOLID RED		
C983-72ES1C	3M 1" x 50 yds Red Continuous	1 Roll
C983-72ESRD	3M 2" x 50 yds Red Continuous	1 Roll
C983-72ES3C	3M 3" x 50 yds Red Continuous	1 Roll
C983-72ES4C	3M 4" x 50 yds Red Continuous	1 Roll
C983-72ES6C	3M 6" x 50 yds Red Continuous	1 Roll
SCHOOL BUS AMBER		
C983-71ES	3M 1" x 50 yds Amber Continuous	1 Roll
C983-71ES2	3M 2" x 50 yds Amber Continuous	1 Roll
RAILWAY CAR AMBER	RAILWAY CAR WHITE	1 Roll
C983-71ES4K	3M 4" x 50 yds Amber Rolls Kiss Cut	1 Roll
C983-71ES4P	3M 4" x 18" Amber Pcs. 100 pcs/Ctn.	1 Roll
C983-10ESWH4K	3M 4" x 50 yds White Rolls Kiss Cut	1 Roll
C983-10ESWH4P	3M 4" x 18" White Pcs. 100 pcs/Ctn.	1 Roll

School Buses

3M™ Diamond Grade™ Conspicuity Markings for school buses. To mark emergency exits, side and rear perimeter for enhanced visibility and detection. These markings are required by the school transportation industry standards: FMVSS 217 and 131, CSA D250 (Canada).

Other Brands of Conspicuity Tape Available. Call for Information and Pricing.



Toll Free Phone
800-348-7625
www.lavanture.com

Hose Products:

- Pressure Hose
- Clear Vinyl Tubing
- Water Hose
- Fill Hose
- Vent Hose
- Uniload Hose
- Saniflex Hose
- Sewer Hose
- Drain Hose

Quality Hose Products

LaVanture Products stocks and distributes a wide variety of high quality hose products from leading manufacturers. All these products meet our quality standards and have passed a rigid testing program. If we sell it... we stand behind it!!

Reinforced Pressure Hose

This white PVC opaque hose is designed and formulated as 150PSI cold water pressure and drinking water lines. It is IAMPO listed, FDA certified title 21 parts 170-199, NSF61/51 and ROHS compliant. The compound contains no substances designated as hazardous under California proposition 65.

Pressure Hose				
Stock#	Description	Color	Size	Roll Size
PR108NSF	Pressure Hose NSF	White	1/2"	500' roll
PR108	Pressure Hose IAPMO	White	1/2"	500' roll
PR86	Pressure Hose IAPMO	White	3/8"	500' roll
X-PVC6158	Pressure Hose	Gray	1/2"	300' roll

Clear Vinyl Tubing

This non-toxic food and beverage grade non-reinforced clear vinyl tubing is designed for a wide variety of applications. It is FDA certified title 21 parts 170-199, NSF61/51, ROHS compliant and UL certified USDA.

Tubing				
Stock#	Description	Color	Size	Roll Size
P100	Vinyl Tubing	Clear	1 1/4"	500' roll
P108	Poly Tubing	Clear	1/2"	500' roll
X-PVC108	PVC Tubing	Clear	1/2"	250' roll
X-PVC86	PVC Tubing	Clear	3/8"	250' roll

Compressible Drain/Sewer Hose

Constructed of blue vinyl coated, high tensile spring steel wire it is compressible and withstands temperature extremes making it the perfect choice for recreational vehicles. Shipped in a hanger package.

Drain Hose				
Stock#	Description	Color	Size	Carton Quantity
485PB10	Standard Drain Hose, bagged	Blue	3" x 10"	25
485PB10HD	High Density Drain Hose, bagged	Blue	3" x 10"	10
485PB20	Standard Drain Hose, bagged	Blue	3" x 20"	10
485PB20HD	High Density Drain Hose, bagged	Blue	3" x 20"	6



Toll Free Phone
800-348-7625
www.lavanture.com

Uni-Loop Helix Hose

This is a lightweight polyethylene copolymer hose with a integral helix. A smooth interior assures efficient air flow and is crush resistant featuring good flexibility. IAMPO compliant, it is ideal for vacuum and drain hose applications also suitable for use as wiring conduit.

Uniloop Hose			
Stock#	Description	Color	Size
LU1-50	Uniloop Hose	Gray	1"
LU1534750	Uniloop Hose w/cuff	Gray	1 1/2" x 34-1/4" L
LU15MC-108	Uniloop Hose w/molded cuff	Gray	1 1/2" x 108" L
LU15MC-12	Uniloop Hose w/molded cuff	Gray	1 1/2" x 12" L
LU15MC-29	Uniloop Hose w/molded cuff	Gray	1 1/2" x 29" L
LU15MC-31	Uniloop Hose w/molded cuff	Gray	1 1/2" x 31" L
LU15MC-35	Uniloop Hose w/molded cuff	Gray	1 1/2" x 35" L
LU15MC-40	Uniloop Hose w/molded cuff	Gray	1 1/2" x 40" L
LU15MC-46	Uniloop Hose w/molded cuff	Gray	1 1/2" x 46" L
LU15MC-48	Uniloop Hose w/molded cuff	Gray	1 1/2" x 48" L
LU15MC-52.250	Uniloop Hose w/molded cuff	Gray	1 1/2" x 52 1/4" L
LU15MC-62	Uniloop Hose w/molded cuff	Gray	1 1/2" x 62" L
LU15MC-66	Uniloop Hose w/molded cuff	Gray	1 1/2" x 66" L
LU15MC-68	Uniloop Hose w/molded cuff	Gray	1 1/2" x 68" L
LU15MC-69	Uniloop Hose w/molded cuff	Gray	1 1/2" x 69" L
LU15MC-76	Uniloop Hose w/molded cuff	Gray	1 1/2" x 76" L
LU15MC-77	Uniloop Hose w/molded cuff	Gray	1 1/2" x 77" L
LU15MC-88	Uniloop Hose w/molded cuff	Gray	1 1/2" x 88" L
LU15MC-90	Uniloop Hose w/molded cuff	Gray	1 1/2" x 90" L

Vent Hose

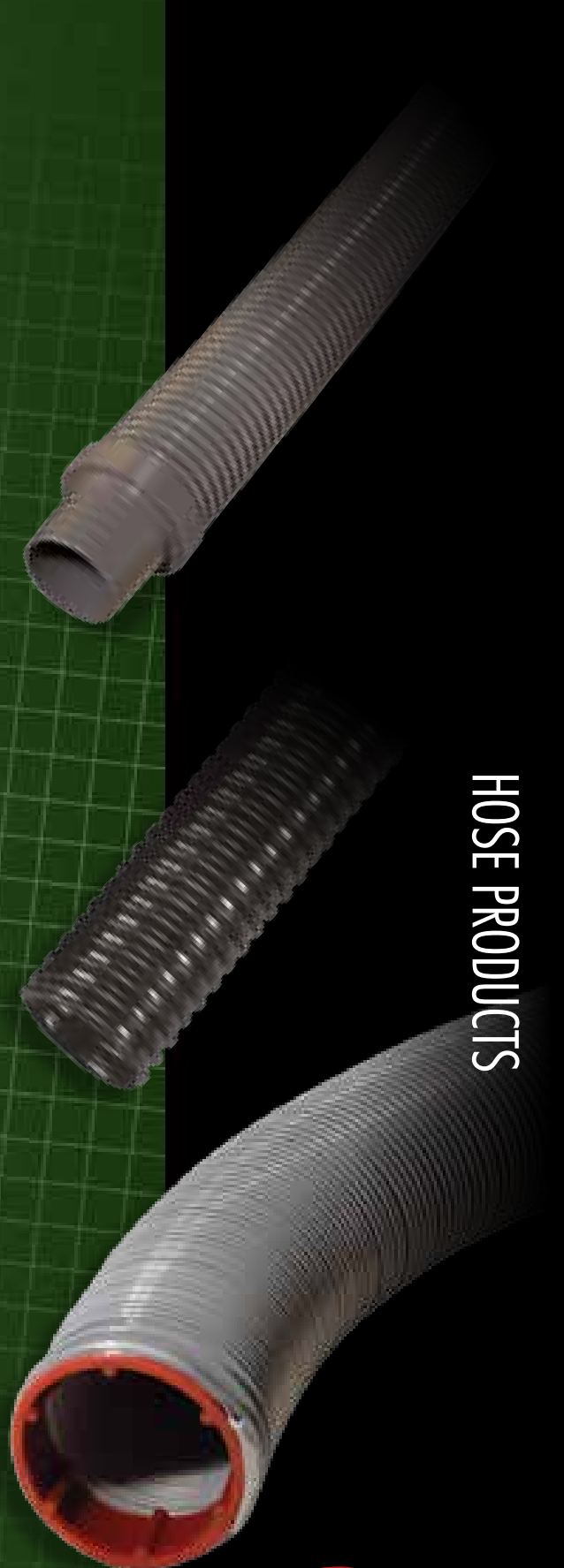
LPC vent hose features an all plastic construction making it easy to cut with a smooth liner. The kink free flexible design allows for a sharp bend installation. This vent hose is IAMPO and CSA approved.

Vent Hose				
Stock#	Description	Color	Size	Carton Quantity
F-1180	Vent Hose	White	2"	50
F-1316C	Vent Hose	White	1-13/16"	100
F-1175	Vent Hose	Black	1-3/4" x 25"	100

Sewer Hose

Valterra vinyl sewer hose features superior flexibility and is crack resistant for use in all the weather conditions. The hose compresses for easy storage while you travel. It is available in standard, EZ flush and quick drain to meet a variety of applications.

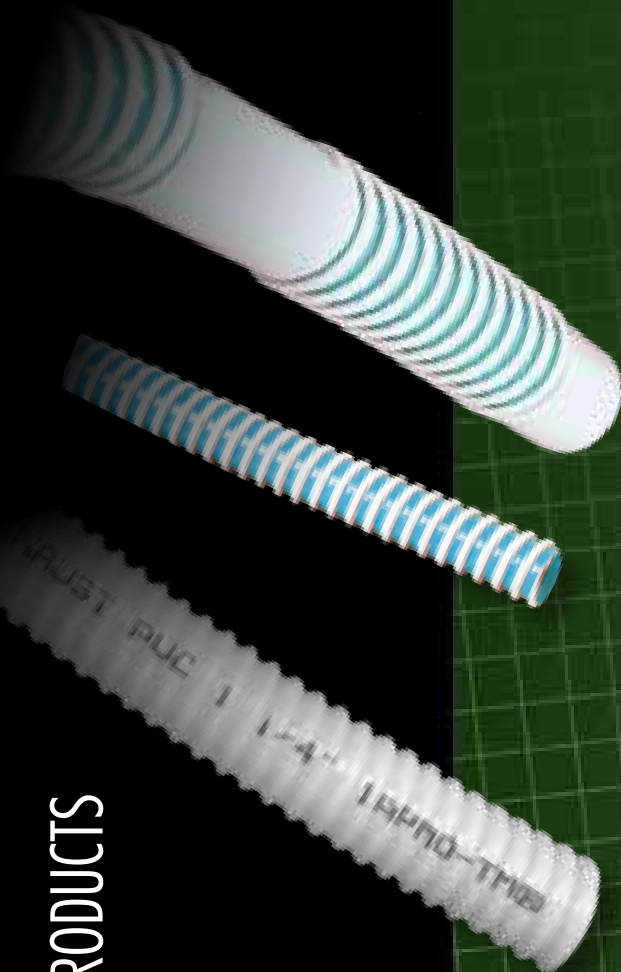
Sewer Hose				
Stock#	Description	Color	Size	Carton Quantity
VALD040080	Sewer Hose w/ T1024 adapter	Blue	10'	20 pc.
VALD040083	EZ Flush Hose w T1024 adapter	Brown	20'	10 pc.
VALD04021	Quick Drain w/ straight adapter	Blue	20'	10 pc.



HOSE PRODUCTS



Toll Free Phone
800-348-7625
www.lavanture.com



Toll Free Phone
800-348-7625
www.lavanture.com

Smooth -Bor

A green/white hose designed for water fill, drain or vent hose. The all plastic construction makes it easy to cut and it is flexible for kink free bends. It is IAMPO compliant and features a smooth inner liner.

Fill Hose			
Stock#	Description	Color	Size
F-1125	Fill Hose	Green/White	1 1/4" x 25'
F-1125F	Fill Hose w/ flats	Green/White	1 1/4" x 10'
F-1135	Fill Hose	Green/White	1 3/8" x 25'
F-1135F	Fill Hose w/ flats	Green/White	1 3/8" x 10'
F-1135F8*	Fill Hose	Green/White	1 3/8" x 8'
F-750	Fill Hose	Green/White	3/4" x 10'
F-750F	Fill Hose w/flats	Green/White	3/4" x 10'

Saniflex Fill Hose

A potable water hose constructed from plastic helix supported PVC that is lightweight and flexible for easy installation in tight spaces. It is IAMPO compliant and features a smooth inner surface

SaniFlex Hose			
Stock#	Description	Color	Size
SF1125-50	Saniflex Hose IAMPO	White	1 1/4" x 50'
SF1135-50	Saniflex Hose IAMPO	White	1 3/8" x 50'
SF1158-50*	Saniflex Hose IAMPO	White	1 5/8" x 50'

Utility Water Hose

A multi-ply utility water hose for pressurized systems it features both a male and female octagon connectors with protective collars. It is drinking water safe for use in marine, RV, home and industrial applications. This high quality hose features a 7 year manufacturers guarantee.

Utility Water Hose			
Stock#	Description	Color	Size
PR7525	Utility Water Hose	White	1/2" x 25'
PR7550	Utility Water Hose	White	1/2" x 25'
PR8525	Utility Water Hose	White	5/8" x 50'
PR8550	Utility Water Hose	White	5/8" x 50'

Specialty Hose

There are also wide variety of other specialty hoses available. FLEXT-7B5 Thermo-Hose is a heated water hose. FMGS1-7 is stretch hose with 3:1 cuff. FT73-3 Hose is light weight black thermoplastic rubber hose reinforced with a spring steel wire helix.

Special Custom Order Hoses			
Stock#	Description	Color	Size
FLEXT-7B5	Thermo Rubber Hose	Black	5" x 25'
FMGS1-7	LMG Stretch Hose w/ 3:1 cuff	Black	1.22" X 7'
FT73-3	Reinforced Rubber Hose	Black	3" x 3'

Custom Hose

Custom and other specialty hoses are available to meet your application requirements. Please contact us with your specifications.

Rotational Molded O.E.M. Polyethylene Water Tanks

LaVanture Rotational Molded Fresh Water Tanks are made from a high quality durable F.D.A. approved polyethylene material. Their one piece construction, stain, corrosion and rust resistant features make them ideal for replacement or O.E.M. Installation on Recreational Vehicle, Marine and other products requiring storage of fresh water.



Each Tank is Individually
Boxed* for Lower UPS Rates



POLYETHYLENE WATER TANKS

Polyethylene Water Tanks

Stock#	Description	Color	Outside Dimensions	Carton Quantity
T161	Polyethylene Water Tank	10 gallon	17" x 14" x 10"	1 UPS boxed
T163	Polyethylene Water Tank	16 gallon	24" x 15" x 10"	1 UPS boxed
T165	Polyethylene Water Tank	21 gallon	39" x 16" x 8"	1 UPS boxed
T167	Polyethylene Water Tank	30 gallon	34" x 18" x 12"	1 UPS boxed
T169	Polyethylene Water Tank	42 gallon	39" x 18" x 14"	1 UPS boxed
T100*	Polyethylene Water Tank	100 gallon	81" x 26" x 11"	1 not boxed

* T100 Not Boxed

Access Covers

Setting the standard for access cover applications the LaVanture Products screw-in covers feature finger grips for easy removal and replacement. All covers feature a positive o-ring seal for air tight seal. Available in three sizes.



Access Covers

Stock#	Description	Color	Size	Carton Quantity
AC400B	Access Cover	Black	4"	100 pcs.
AC400W	Access Cover	White	4"	100 pcs.
AC400DW	Access Cover	Dream White	4"	100 pcs.
AC400T	Access Cover	Tan	4"	100 pcs.
AC500B	Access Cover	Black	5"	100 pcs.
AC500W	Access Cover	White	5"	100 pcs.
AC500DB	Access Cover	Dark Brown	5"	100 pcs.
AC600B	Access Cover	Black	6"	50 pcs.
AC600W	Access Cover	White	6"	50 pcs.



Toll Free Phone
800-348-7625
www.lavanture.com



OEM Waste Valves

LaVanture Products is a national distributor of **Valterra Products**, the leader in the manufacturer of O.E.M. plumbing parts and accessories. **Valterra offers a broad line of products for O.E.M and aftermarket applications.** Featuring: Fixed WYE Valve Assemblies, ELL Double Rotating Valve Assemblies, Double WYE Valve Assemblies, EZ Hose Carriers, Solid Extension Tubes, Caps, Adapters & Accessories and Many other O.E.M. Quality Products.

CABLE VALVES



Toll Free Phone
800-348-7625
www.lavanture.com

OEM - Waste Valves

Cable Valves

Flexible cable extension valves enable modern interior design not constrained by the waste valve placement. The cable easily bends around obstacles to the main control cabinet for convenient access of the waste valve handle.

WE OFFER THIS EXTENSION TWO WAYS.

1. Valve and cable are sold separately and are attached at the time of installation.
2. Valve and cable are sold as one and comes to you pre-attached.

THE BENEFITS OF THE FLEXIBLE CABLE SYSTEM

- Allows for valve placement near heated compartment/tanks and away from low or exposed areas
- Eliminates design problems with rigid extensions that don't flex around framing or hang below RV side wall
- Waste valve handle can be placed in control compartments for easy access

Pre-Attached Cable Valves

Stock#	Material	Carton Quantity
VALH1001H36	Cable Valve, 1-1/2", Hub x Spigot With 36" Cable	10
VALH1001H48	Cable Valve, 1-1/2", Hub x Spigot With 48" Cable	10
VALH1001H60	Cable Valve, 1-1/2", Hub x Spigot With 60" Cable	10
VALH1001H72	Cable Valve, 1-1/2", Hub x Spigot With 72" Cable	10
VALH1001H96	Cable Valve, 1-1/2", Hub x Spigot With 96" Cable	10
VALH1001H120	Cable Valve, 1-1/2", Hub x Spigot With 120" Cable	10
VALH1001H144	Cable Valve, 1-1/2", Hub x Spigot With 144" Cable	10
VALH40H36	Cable Valve, 3", Hub x Spigot With 36" Cable	8
VALH40H48	Cable Valve, 3", Hub x Spigot With 48" Cable	8
VALH40H60	Cable Valve, 3", Hub x Spigot With 60" Cable	8
VALH40H72	Cable Valve, 3", Hub x Spigot With 72" Cable	8
VALH40H96	Cable Valve, 3", Hub x Spigot With 96" Cable	8
VALH40H120	Cable Valve, 3", Hub x Spigot With 120" Cable	8
VALH40H144	Cable Valve, 3", Hub x Spigot With 144" Cable	8

Single Cable Valves - No Cable

Stock#	Material	Carton Quantity
VALT1001H	Cable Valve, 1-1/2", Hub x 1-1/2" Spigot No Cable	32
VALT1001BH	Cable Valve, 1-1/2", Hub x 1-1/2" Hub No Cable	32
VALT40H	Cable Valve, 3", Hub x 3" Spigot No Cable	12
VALT40AH	Cable Valve, 3", Spigot x 3" Spigot No Cable	12

Pre-Attached Cable Valves

Stock#	Material	Carton Quantity
VALT81H	Ell Double Rotating Valve, 3" Hub x 1-1/2" Hub x 3" Spigot Outlet, No Cables	4
VALT84H	Ell Double Rotating Valve, 3" Hub x 3" Hub x 3" Bayonet Cap, No Cables	4
VALT85H	Ell Double Rotating Valve, 3" Hub x 3" Hub x 3" Hub Outlet, No Cables	4
VALT83H	Ell Double Rotating Valve, 3" Hub x 1-1/2" Hub, x 2" Hub x 3" Spigot Outlet, No Cables	4
VALT68H	Heel Inlet Rotating Valve, 3" x 1-1/2" Hub x Bayonet Cap, No Cables	4

Additional configurations available

OEM - Waste Valves



Cables

- Allows for valve placement in protected locations
- Valve handle can be placed for easy access
- Folding handle for easy bulk head installation
- Stainless Steel inner wire

Cables		
Stock#	Material	Carton Quantity
VALTC24	Flexible Cable Replacement, 24"	50
VALTC36	Flexible Cable Replacement, 36"	50
VALTC48	Flexible Cable Replacement, 48"	50
VALTC60	Flexible Cable Replacement, 60"	50
VALTC72	Flexible Cable Replacement, 72"	50
VALTC84	Flexible Cable Replacement, 84"	10
VALTC96	Flexible Cable Replacement, 96"	10
VALTC120	Flexible Cable Replacement, 120"	10
VALTC144	Flexible Cable Replacement, 144"	10



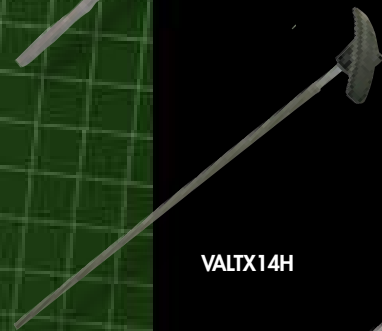
VALTC24

Extension Tubes

Extension Tubes		
Stock#	Material	Carton Quantity
VALTX6T	Extension Tube, 6", 3-1/2" Stud	90
VALTX9T	Extension Tube, 9", 3-1/2" Stud	200
VALTX12T	Extension Tube, 12", 3-1/2" Stud	300
VALTX24T	Extension Tube, 24", 3-1/2" Stud	100
VALTX36T	Extension Tube, 36", 3-1/2" Stud	150
VALTX48T	Extension Tube, 48", 3-1/2" Stud	200
VALTX6	Extension Tube, 6", 3-1/2" Stud, Handle & Plate	70
VALTX9	Extension Tube, 9", 3-1/2" Stud, Handle & Plate	50
VALTX12	Extension Tube, 12", 3-1/2" Stud, Handle & Plate	150
VALTX24	Extension Tube, 24", 3-1/2" Stud, Handle & Plate	40
VALTX36	Extension Tube, 36", 3-1/2" Stud, Handle & Plate	70
VALTX48H	Extension Tube, 48", 3-1/2" Stud, Handle & Plate	80
VALTX6H	Extension Tube, 6", 3-1/2" Stud, Handle	90
VALTX9H	Extension Tube, 9", 3-1/2" Stud, Handle	70
VALTX12H	Extension Tube, 12", 3-1/2" Stud, Handle	70
VALTX14H	Extension Tube, 14", 3-1/2" Stud, Handle	70
VALTX24H	Extension Tube, 24", 3-1/2" Stud, Handle	70
VALTX36H	Extension Tube, 36", 3-1/2" Stud, Handle	90
VALTX48H	Extension Tube, 48", 3-1/2" Stud, Handle	100



VALTX12



VALTX14H



VALTX12H

CABLE & EXTENSION TUBES

Length refers to tube length
Additional 2" length is available with adjustable stud



Toll Free Phone
800-348-7625
www.lavanture.com



OEM - Waste Valves

1-1/2" Valve Assemblies



VALT1001



VALT1002



VALT40



VALT50

1-1/2" Valve Assemblies

Stock#	Material	Carton Quantity
VALT1001	Waste Valve, 1-1/2", Spigot x Hub	36
VALT1001A	Waste Valve, 1-1/2", Spigot x Spigot	36
VALT1001B	Waste Valve, 1-1/2" Hub x 1-1/2" Hub	36
VALT1001C	Waste Valve, 1-1/2" Hub x 1-1/2" Male Thread, Cap & Strap	48
VALT1001D	Waste Valve, 1-1/2" Spigot x 1-1/2" Male Thread, Cap & Strap	48
VALT1001NH	Waste Valve, 1-1/2" Spigot x 1-1/2" Hub, No Handle	36

1-1/2" Hub fittings are also 2" Spigots

2" Valve Assemblies

2" Valve Assemblies

Stock#	Material	Carton Quantity
VALT1002	Waste Valve, 2" Spigot x 2" Hub	45
VALT1002A	Waste Valve, 2" Spigot x 2" Spigot	45
VALT1002B	Waste Valve, 2" Hub x 2" Hub	45

3" Valve Assemblies

3" Valve Assemblies

Stock#	Material	Carton Quantity
VALT40	Waste Valve, 3" Hub x 3" Spigot	18
VALT40A	Waste Valve, 3" Spigot x 3" Spigot	18
VALT40B	Waste Valve, 3" Hub x 3" Hub	18
VALT40C	Waste Valve, 3" Hub x 3" MPT	18
VALT40D	Waste Valve, 3" FPT x MPT	18
VALT40NH	Waste Valve, 3" Hub x 3" Spigot, No Handle	18

3" Valve Assemblies with Caps

3" Valve Assemblies with Caps

Stock#	Material	Carton Quantity
VALT50	Waste Valve, 3" Hub x 3" Bayonet Cap	18
VALT50-1	Waste Valve, 3" Hub x 3" Bayonet Cap and 3/4" Hose Connection	18
VALT50B	Waste Valve, 3" FPT x 3" Bayonet Cap	18
VALT50C	Waste Valve, 3" MPT x 3" Bayonet Cap	18
VALT50W	Waste Valve, 3" Hub x 3" Bayonet Cap, White	18

Additional configurations available

VALVE ASSEMBLIES



Toll Free Phone
800-348-7625
www.lavanture.com

OEM - Waste Valves



3" Rotating San Tee Valve Assemblies

3" Rotating San Tee Valve Assemblies		
Stock#	Material	Carton Quantity
VALT11	San Tee Rotating Valve, 3" Hub x 1-1/2" Hub x 3" Bayonet Cap	8
VALT12	San Tee Rotating Valve, 3" Hub x 2" Hub x 3" Bayonet Cap	8



VALT11

3" & 1-1/2" Rotating San Tee Valve Assemblies

3" & 1-1/2" Rotating San Tee Valve Assemblies		
Stock#	Material	Carton Quantity
VALT18	San Tee Double Rotating Valve, 3" Hub x 1-1/2" Hub x 3" Bayonet Cap	8
VALT18B	San Tee Double Rotating Valve, 3" Spigot x 1-1/2" Spigot x 3" Bayonet Cap	8
VALT18C	San Tee Double Rotating Valve, 3" Hub x 1-1/2" Spigot x 3" Bayonet Cap	8



VALT18A

Eliminates solvent bonding of 1-1/2" and 3" valves

3" Rotating Double San Tee Valve Assemblies

3" Rotating Double San Tee Valve Assemblies		
Stock#	Material	Carton Quantity
VALT20	San Tee Double Rotating Valve, 3" Hub x 1-1/2" Hub x 2" Hub x 3" Bayonet Cap	8



VALT20

3" Wye Fixed Valve Assemblies

3" Wye Fixed Valve Assemblies		
Stock#	Material	Carton Quantity
VALT30	Wye Fixed Valve, 3" Hub x 2" Hub x 3" Bayonet Cap	8
VALT30L	Wye Fixed Valve, 3" Hub x 2" Hub x 3" Bayonet Cap, Left Orientation	8



VALT30

VALVE ASSEMBLIES



Toll Free Phone
800-348-7625
www.lavanture.com



VALVE ASSEMBLIES



VALTR30



VALT38



VALT38



VALT60



Toll Free Phone
800-348-7625
www.lavanture.com

OEM - Waste Valves

3" Rotating Wye Valve Assemblies

3" Rotating Wye Valve Assemblies

Stock#	Material	Carton Quantity
VALTR30	Wye Rotating Valve, 3" Hub x 2" Hub x 3" Bayonet Cap	8
VALTR30A	Wye Rotating Valve, 3" Spigot x 2" Hub x 3" Bayonet Cap	8

3" Fixed Wye Double Valve Assemblies

3" Fixed Wye Double Valve Assemblies

Stock#	Material	Carton Quantity
VALT38	Wye Fixed Double Valve, 3" Hub x 1-1/2" Rotating Hub x 3" Bayonet Cap	6
VALT38B	Wye Rotating Valves, 3" Spigot x 1-1/2" Spigot x 3" Bayonet Cap	6
VALT38C	Wye Rotating Valves, 3" Hub x 1-1/2" Rotating Spigot x 3" Bayonet Cap	6

Eliminates solvent bonding of 1-1/2" and 3" valves

3" & 1-1/2" Rotating Wye Valve Assemblies

3" & 1-1/2" Rotating Wye Valve Assemblies

Stock#	Material	Carton Quantity
VALTR38	Wye Rotating Valves, 3" Hub x 1-1/2" Hub x 3" Bayonet Cap	6
VALTR38B	Wye Rotating Valves, 3" Spigot x 1-1/2" Hub x 3" Bayonet Cap	6
VALTR38C	Wye Rotating Valves, 3" Hub x 1-1/2" Spigot x 3" Bayonet Cap	6

Eliminates solvent bonding of 1-1/2" and 3" valves

3" Rotating Heel Inlet 1/4 Valve Assemblies

3" Rotating Heel Inlet 1/4 Bend Valve Assemblies

Stock#	Material	Carton Quantity
VALT60	Heel Inlet Rotating Valve, 3" Hub x 2" Hub x 3" Bayonet Cap	8

OEM - Waste Valves

3" & 1-1/2" Rotating Heel Inlet 1/4 Valve Assemblies



3" & 1-1/2" Rotating Heel Inlet 1/4 Bend Valve Assemblies

Stock#	Material	Carton Quantity
VALT68	Heel Inlet Rotating Valve, 3" Hub x 1-1/2" Hub x 3" Bayonet Cap	6
VALT68B	Heel Inlet Rotating Valve, 3" Spigot x 1-1/2" Spigot x 3" Bayonet Cap	6
VALT68C	Heel Inlet Rotating Valve, 3" Hub x 1-1/2" Spigot x 3" Bayonet Cap	6

Eliminates solvent bonding of 1-1/2" and 3" valves



VALT68

3" Rotating 90° Ell Valve Assemblies with Cap

3" Rotating 90° Ell Valve Assemblies with Cap

Stock#	Material	Carton Quantity
VALT70	Ell 90° Rotating Valve, 3" Hub x 3" Bayonet Cap	8



VALT70

3" Rotating 90° Ell Valve Assemblies

3" Rotating 90° Ell Valve Assemblies

Stock#	Material	Carton Quantity
VALT71	Ell 90° Rotating Valve, 3" Hub x 3" Elbow with Spigot Outlet	8
VALT72	Ell 90° Rotating Valve, 3" Hub x 3" Elbow with Hub Outlet	8
VALT72ANH	Ell 90° Rotating Valve, 3" Spigot x 3" Elbow with Hub Outlet, No Handle	8



VALT71

3" & 1-1/2" Rotating Double Ell Valve Assemblies

3" & 1-1/2" Rotating Double Ell Valve Assemblies

Stock#	Material	Carton Quantity
VALT80	Ell Double Rotating Valve, 3" Hub x 1-1/2" Hub x 3" Bayonet Cap	8
VALT80B	Ell Double Rotating Valve, 3" Spigot x 1-1/2" Spigot x 3" Bayonet Cap	8
VALT80C	Ell Double Rotating Valve, 3" Hub x 1-1/2" Spigot x 3" Bayonet Cap	8



VALT80

VALVE ASSEMBLIES



Toll Free Phone
800-348-7625
www.lavanture.com



OEM - Waste Valves

3" & 1-1/2" Rotating Double Ell Valve Assemblies



VALT81

3" & 1-1/2" Double Ell Valve Assemblies

Stock#	Material	Carton Quantity
VALT81	Ell Double Rotating Valve, 3" Hub x 1-1/2" Hub x 3" Spigot Outlet	6
VALT81B	Ell Double Rotating Valve, 3" Spigot x 1-1/2" Spigot x 3" Spigot Outlet	6
VALT81C	Ell Double Rotating Valve, 3" Hub x 1-1/2" Spigot x 3" Spigot Outlet	6
VALT81NH	Ell Double Rotating Valve, 3" Hub x 1-1/2" Hub x 3" Spigot Outlet, No Handle	6



VALT82

3" & 1-1/2" Double Ell Valve Assemblies

3" & 1-1/2" Double Ell Valve Assemblies

Stock#	Material	Carton Quantity
VALT82	Ell Double Rotating Valve, 3" Hub x 1-1/2" Hub x 2" Hub x 3" Bayonet Cap	8
VALT83	Ell Double Rotating Valve, 3" Hub x 1-1/2" Hub x 2" Hub x 3" Spigot Outlet	6



VALT84

3" Double Ell Valve Assemblies

3" Double Ell Valve Assemblies

Stock#	Material	Carton Quantity
VALT84	Ell Double Rotating Valve, 3" Hub x 3" Hub x 3" Bayonet Cap	4
VALT84B	Ell Double Rotating Valve, 3" Spigot x 3" Spigot x 3" Bayonet Cap	4
VALT85	Ell Double Rotating Valve, 3" Hub x 3" Hub x 3" Hub Outlet	4
VALT85B	Ell Double Rotating Valve, 3" Spigot x 3" Spigot x 3" Hub Outlet	4
VALT85NH	Ell Double Rotating Valve, 3" Hub x 3" Hub x 3" Hub Outlet, No Handle	4



VALT1029-1BU



VALT1029-2BU

3" Terminator Adapters

3" Terminator Adaptors

Stock#	Material	Carton Quantity
VALT1029-1BU	Termination Adapter, 3" Spigot x 3" Bayonet	68
VALT1029-2BU	Termination Adapter, 3" Hub x 3" Bayonet	72
VALT1029-4BU	Termination Adapter, 3" Male Thread x 3" Bayonet	70



Toll Free Phone
800-348-7625
www.lavanture.com

OEM - Waste Valves

Cable, Hose Adapters & Accessories



Cable, Hose Adapters & Accessories		
Stock#	Material	Carton Quantity
VALT1020BU	Waste Valve Cap, 3" Bayonet, Black, Bulk	160
VALT1020-1BU	Waste Valve Cap, 3", 3/4" GHT with Cap, Black, Bulk	125
VALT1020-ID	Hose Cap, 3/4", with Strap, Black, Bulk	200
VALT1020-1E	Hose Plug, 3/4" Male Thread, with Strap, Off White, Bulk	250
VALT1024BU	Hose Adapter, 3", Straight, Black, Bulk	100
VALT1025BU	Hose Adapter, 45°, Black, Bulk	50
VALF02-2018	Female Thread Cap, 3", with 10" Chain	125

PTFE Thread Tape

- .0035 mil thickness
- .35 density

PTFE Thread Tape		
Stock#	Material	Carton Quantity
C950-15	PTFE Thread Tape, 1/2" x 520", Bulk	100



EZ Hose Carriers

- Comes assembled with mounting brackets for easy installation
- Interlocking cap has round handle for easy quarter turn on-off and strap to prevent loss
- Mounting screws included

EZ Hose Carriers		
Stock#	Material	Carton Quantity
VAL0148	EZ Hose Carrier, 18", White, Bulk	12
VAL0150BU	EZ Hose Carrier, 26", White, Bulk	6
VAL0150BK	EZ Hose Carrier, 26", Black, Bulk	6
VAL0151BU	EZ Hose Carrier, 46", White, Bulk	4
VAL0151BK	EZ Hose Carrier, 46", Black, Bulk	4
VAL0153BU	EZ Hose Carrier, 64", White, Bulk	4
VAL0158BU	EZ Hose Carrier, 72", White, Bulk	4
VAL0158BK	EZ Hose Carrier, 72", Black, Bulk	4
VAL0157	Saddle For EZ Hose Carrier, White, Bulk	80
VAL0157BK	Saddle For EZ Hose Carrier, Black, Bulk	80
VAL0161	Cap And Strap For EZ Hose Carrier, White, Bulk	6
VAL0161BK	Cap And Strap For EZ Hose Carrier, Black, Bulk	6
VAL0156	Center Support Saddle For EZ Hose Carrier, White, Bulk	100
VAL0156BK	Center Support Saddle For EZ Hose Carrier, Black, Bulk	100



VALT1020BU



VALT1024BU



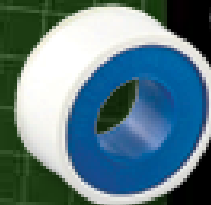
VALF02-2018



VALT1025BU



C950-15



VAL0148

VALVE ASSEMBLIES



VAL0161



VAL0157



Toll Free Phone
800-348-7625
www.lavanture.com



OEM - Inlets & Hatches

LaVanture Products is proud to handle a complete line of Valterra water inlets, water inlet hatches, cable hatches and sewer hose hatches. These products are manufactured from high quality UV stabilized plastic and are in-stock for immediate shipment.

Flush Mount Water Inlets, MPT include a check valve, garden hose swivel fitting gripper and press-in dust plug with a 1/2" MPT inside connection. Part number VAL 0165BU features a die cast flange.

Gravity Water Inlets feature a bayonet style cap, a 1/2" air vent for faster fill rate and a 1 1/4" barn connection.

Gravity/City Water Inlet Hatches feature a gravity/city water inlet in a lockable hatch with 1/2" MPT /1 1/4" barb connection and 1/2" air vent for faster fill rate. Cut out dimensions are 5 7/8" W x 4 3/4" H with outside dimensions of 7 5/8" W x 6 1/2" H.

Gravity/City Water Inlet feature 1/2" MPT /1 1/4" barb connection and 1/2" air vent for faster fill rate. Outside dimensions of 7 1/2" W x 5 1/4" H.

Universal Gravity Water Inlet Hatches feature a 1 1/4" barb connection and 1/2" air vent for faster fill rate. Universal size fits both 4 1/4" W x 4 3/4" H and 4" W x 3" H cutouts with outside dimensions of 6" W x 6 1/2" H.



VAL0168BU



VAL0165BU



VAL0168BKBU



VAL2003BU



VAL2003BKBU



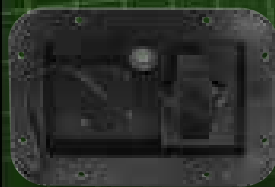
VAL2004BU



VAL2004BKBU



VAL2001BU



VAL2001BKBU



VAL2002BU



VAL2002BKBU



Toll Free Phone
800-348-7625
www.lavanture.com

Inlets & Hatches

Part No	Description	Carton Quantity
VAL0165BU	Water Inlet, Die Cast Flange, Bulk	24
VAL0168BKBU	Water Inlet Plastic Black, MPT Carded	24
VAL0168BU	Water Inlet Plastic White, MPT Bulk	24
VAL2001BKBU	Gravity/City Rectangle Flange, Black, Bulk	24
VAL2001BU	Gravity/City Rectangle Flange, White, Bulk	24
VAL2002BKBU	Gravity Fill Hatch Black, Bulk	22
VAL2002BU	Gravity Fill Hatch White, Bulk	22
VAL2003BKBU	Water Inlet Gravity Black, Bulk	40
VAL2003BU	Water Inlet Gravity White, Bulk	40
VAL2004BKBU	Gravity/Plastic City Inlet Hatch Black, Bulk	24
VAL2004BU	Gravity/Plastic City Inlet Hatch White, Bulk	24



Round Cable Hatches are available in small and medium sizes. Small hatch dimensions are 4.4" by 2.3" with a cutout of 3" and accommodates up to a 30 amp cable. The medium hatch dimensions are 4.6" by 2.6" with a cutout of 3.5" and accommodates up to 50 amp cable.



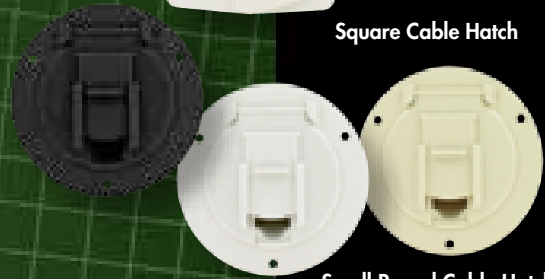
Medium Round Cable Hatch

Square Cable Hatches dimensions are 4.3" by 2.3" with a cutout of 2.8" and accommodates up to a 30 amp cable.



Square Cable Hatch

Cable Hatch Compartments are lockable hatches constructed from UV paintable stabilized plastic. Outside dimensions are 7.625" W x 6.5" H with cut-out of 5.875" W x 4.75" H



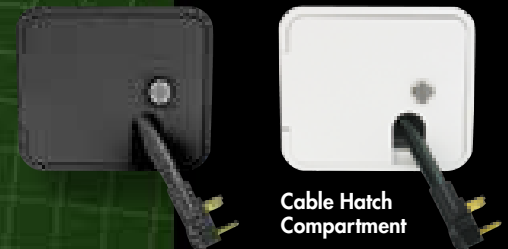
Small Round Cable Hatch

Sewer Hose Hatches attach to PVC pipe with a convenient thumb lock. Dimensions are 5⁷/₈" W x 4³/₄" H with cutout of 7⁵/₈" W x 6-1/2" H



Sewer Hose Hatch

Inlets & Hatches		
Part No	Description	Carton Quantity
VAL2135BKBU	Cable Hatch Deluxe Round, Black, Bulk	12
VAL2135BU	Cable Hatch Deluxe Round, Polar White, Bulk	12
VAL2137BKBU	Cable Hatch Medium Round, Black, Bulk	16
VAL2137BU	Cable Hatch Medium Round, Polar White, Bulk	16
VAL2138BU	Cable Hatch Medium Round, Col. White, Bulk	16
VAL2140BKBU	Cable Hatch Small Round, Black, Bulk	18
VAL2140BU	Cable Hatch Small Round, Polar White, Bulk	18
VAL2141BU	Cable Hatch Small Round, Col. White, Bulk	18
VAL2143BKBU	Cable Hatch Square, Black, Bulk	18
VAL2143BU	Cable Hatch Square, Polar White, Bulk	18
VAL2150BKBU	Cable Hatch Compartment, Black, Bulk	16
VAL2150BU	Cable Hatch Compartment, White, Bulk	16
VAL2151BKBU	Electric Hatch Large Black, Bulk	12
VAL2151BU	Electric Hatch Large Polar White, Bulk	12
VAL0471BKBU	Sewer Hose Hatch Black w/Thumb Lock Bulk	24
VAL0471BU	Sewer Hose Hatch White w/Thumb Lock Bulk	24



Cable Hatch Compartment



Gravity/City Water Inlet Hatch

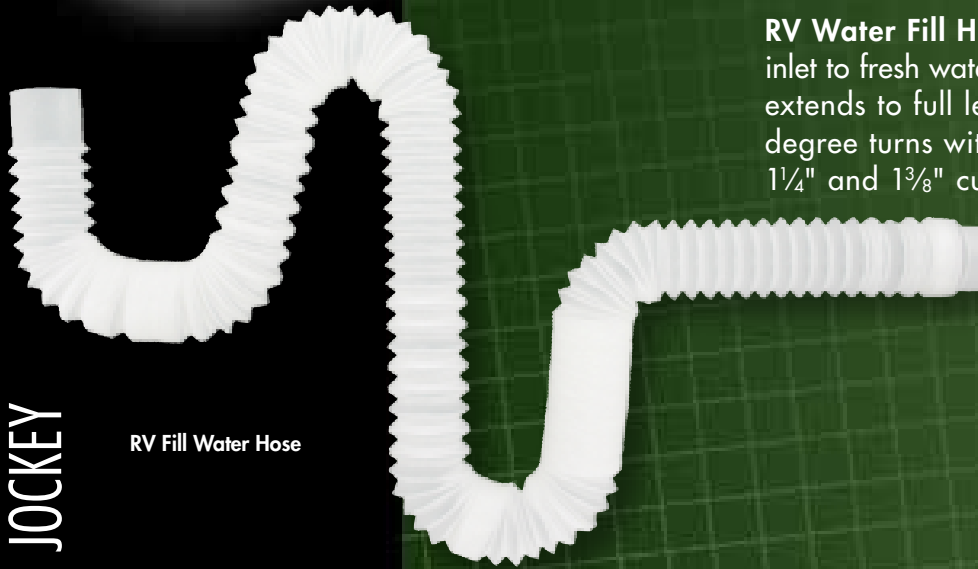


Toll Free Phone
800-348-7625
www.lavanture.com

CABLE & SEWER HOSE HATCHES



RV WATER FILL HOSE & VALVE JOCKEY



RV Fill Water Hose

RV Water Fill Hose connects water fill gravity inlet to fresh water tank. Accordion design easily extends to full length and allows for quick 90 degree turns without fittings. Available with both 1¼" and 1⅜" cuffs.



Valve Jockey

Valve Jockey designed and manufactured exclusively by Valterra it is a more accessible handle that eliminates difficult side pulls, making it easy to open and close valves.

RV Water Fill Hoses

Part No	Description	Carton Quantity
VAL1002	RV Water Fill Hose 2' x 1-3/8"	24
VAL1003	RV Water Fill Hose 3' x 1-3/8"	24
VAL1004	RV Water Fill Hose 4' x 1-3/8"	24
VAL1005	RV Water Fill Hose 5' x 1-3/8"	24
VAL1006	RV Water Fill Hose 6' x 1-3/8"	24
VAL1008	RV Water Fill Hose 8' x 1-3/8"	24
VAL1010	RV Water Fill Hose 10' x 1-3/8"	24
VAL1012	RV Water Fill Hose 2' x 1-1/4"	24
VAL1013	RV Water Fill Hose 3' x 1-1/4"	24
VAL1014	RV Water Fill Hose 4' x 1-1/4"	24
VAL1015	RV Water Fill Hose 5' x 1-1/4"	24
VAL1016	RV Water Fill Hose 6' x 1-1/4"	24
VAL1018	RV Water Fill Hose 8' x 1-1/4"	24
VAL1020	RV Water Fill Hose 10' x 1-1/4"	24
VALSS01	Sewersolution™ System	1
VALT11VJ	3" Valve Jockey 3" Hub x 1-1/2" Hub w/cap	1
VALT11AVJ	3" Valve Jockey 3" SPG x 1-1/2" Hub w/cap	1
VALT12VJ	3" Valve Jockey 3" Hub x 2" Hub w/cap	1
VALT12AVJ	3" Valve Jockey 3" SPG x 2" Hub w/cap	1
VALT18AVJ	3" Valve Jockey & 1-1/2" - 3" SPG x 1/2" Hub w/cap	1
VALT30VJ	3" Valve Jockey 3" Hub x 2" Hub, 3" Bay w/cap	1
VALT30AVJ	3" Valve Jockey 3" SPG x 2" Hub, 3" Bay w/cap	1
VALTR38VJ	3" Valve Jockey 3" Hub x 1-1/2" Hub w/cap	1
VALT38	3" Valve Jockey 3" Hub x 1-1/2" Rot. Hub	1



Toll Free Phone
800-348-7625
www.lavanture.com

The Sewer Solution

The SewerSolution System is a all-in-one macerator system.

It Pulverizes with a water powered high velocity jet nozzle using shear force to pulverize waste and toilet paper.

It Pumps utilizing the patented "Venturi Principal" it is strong enough to pump up to 100 feet or even 3 feet up hill with a little 15 psi.

It Cleans the whole system after dumping with a swivel jet nozzle. It cleans both upstream (valve, pipe and tank) and downstream (drain hose)

It is Easy to Store in a compact 14" spool

It includes a 10' by 3/4" smooth interior non-kinking hose, sewer adapter, hose connect assembly and pump.

Part Number: VALSS01



Sewersolution™ Pump



Sewersolution™ Hose Connector



Sewersolution™ Sewer Adapter

Bladex Waste Products

We also stock selected Bladex waste products manufactured by Valterra.

Valve Handles are threaded for easy installation and fit Bladex, Valterra and Grentec valves are available with metal or plastic handles. **Waste Valves** are interchangeable with Valterra, Grentec, Anonda, LaSalle Bristol. Included are all seats, nuts and bolts.

Bladex Products			
Stock#	Description	Color	Carton Quantity
VALT10036MN	Metal Valve Handle	Silver	100 pcs.
VALT10036N	Plastic Valve Handle	Black	100 pcs.
VALT10036GN	Plastic Valve Handle	Gray	100 pcs.



THE SEWER SOLUTION



Toll Free Phone
800-348-7625
www.lavanture.com

Other Hardware

Baggage Locks

These rugged baggage locks are used in variety of places on boats, RV's or any vehicle with a compartment where security is required. Sizes are available to fit most applications. Locks can be keyed alike or with different keys. 90 degree turn, .750" mounting hole required. Two keys supplied with each lock. Cams and mounting hardware sold separately.

Baggage Locks

Stock#	Description	Size	Carton Quantity
BL7300A	Baggage Lock, keyed alike	7/8"	125
BL7400A	Baggage Lock, keyed alike	1-1/8"	125
BL7402A	Baggage Lock, keyed alike	5/8"	125
BL7402D	Baggage Lock, keyed differently	5/8"	100
BL7500A	Baggage Lock, keyed alike	1-3/8"	125

Compartment Latches

Similar to baggage lock without keys. Features a 90 degree turn latch with positive stop mechanism. .750" mounting hole required. Cams and mounting hardware sold separately.

Compartment Latch

Stock#	Description	Size	Carton Quantity
BL7200CL	Compartment Latch	5/8"	125
BL7206CL	Compartment Latch	1-1/8"	100

Baggage/Compartment Latches

Baggage/Compartment Latches

Stock#	Description	Size	Carton Quantity
BL740CRH	Cylinder Ring	1-1/8"	1000
BL740HN	Hex Nut	-	1000
BL740SW	Spur Washer	1-1/8"	1000
BL740SC	Spring Clip	-	1000
BL740SEM	Sem Screw	-	1000

Hold-Downs

These LaVanture Products hold-downs can be used for hoods or removable covers as well as door holdbacks.

Hold-Downs

Stock#	Description	Carton Quantity
LDH5004	4" Door Hook and Keeper Zinc (2 PC)	1
LDH5006	6" Door Hook and Keeper Zinc (2 PC)	50
LDH5006SS	Door Hold SS 6" (2 PC)	1
LDH500SS	Door Hold SS 4" (2 PC)	1

LOCKS AND CAMS

Baggage Lock

Compartment Latches

Baggage/Compartment Latches

Hold-Down



Toll Free Phone
800-348-7625
www.lavanture.com

Baggage Lock Cams

Available in a variety of sizes and offsets sizes these cams add versatility to our baggage and compartment locks. Manufactured from heavy gauge zinc plated steel with length measured from center of hole to end. Custom sizes available. Please contact us for information.

Baggage Lock Cams			
Stock#	Description	Size	Carton Quantity
BLC1810	Straight Cam	1-5/8"	100
BLC1811	Offset Cam .125"	1-5/8"	100
BLC1812	Offset Cam .250"	1-5/8"	100
BLC1813	Offset Cam .375"	1-5/8"	100
BLC1814	Straight Cam	2-1/8"	100
BLC1815	Straight Cam	1"	500
BLC1816	Straight Cam	1-1/8"	500



Baggage Lock Cams

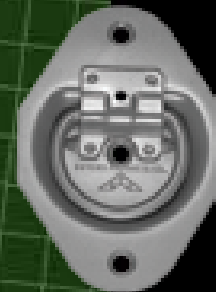


Rope Ring Light Duty

Rope Rings

These bright zinc-plated recessed rope rings are used in truck and trailer bodies.

Rope Rings		
Stock#	Description	Carton Quantity
LB23	Rope Ring Light Duty (Zinc) 1/4" dia	10
LB601	Recessed Rope Ring (Zinc) WLL 285#	1
LB701SM	Surface Mount Rope Ring Zinc 1/4" dia Ring	10
LB703	3" dia Recessed Rope Ring w/ Plastic Bezel	1
LB801A	HD Recessed Rope Ring (Square)	50
LRRO1080	2" x 6" ET Rope Ring Tie Down Strap w/Fitting	10
LRRO1090	Rope Ring With E Track Fitting	4
LB20	D-Ring and Latch (Zinc)	10



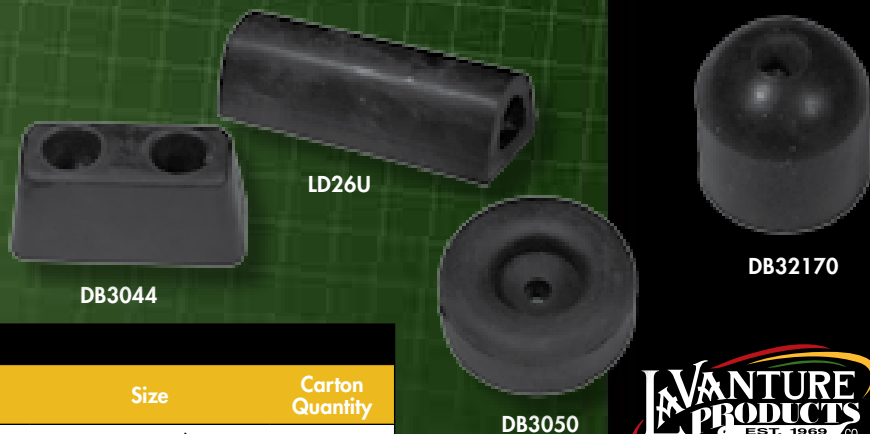
Recessed Rope Ring



Surface Mount Rope Ring

Dock Bumpers

Heavy duty black rubber dock bumpers with mounting holes, manufactured from 100% recycled materials helping to reduce pollution and protect our environment.



Dock Bumpers			
Stock#	Description	Size	Carton Quantity
DB3050	Round	1' x 2-1/2"	200
DB3044	Rectangle Block	3' x 3' x 6"	100
DB32170	Round	1" x 1"	500
LD26U	Rectangle w/Radius	2-1/2" x 1-7/8" x 6"	1

HOLD DOWNS AND DOCK BUMPERS



Toll Free Phone
800-348-7625
www.lavanture.com

Tite-Lok®

KEEPING THE LID ON...



TITE • LOK CLAMPS

LaVanture Products is the national distributor for Tite-Lok® Clamps

No matter what the model...make ...or application Tite-Lok manufactures a clamp to meet the need and LaVanture Products has them in stock for immediate shipment.

Made from high quality aluminum alloy, Tite-Lok clamps are built tough for long lasting service. These clamps are the best available.... because LaVanture only distributes the best products and Tite-Lok is #1 in the industry. If you require a clamp for a special application, contact us for information on custom products.

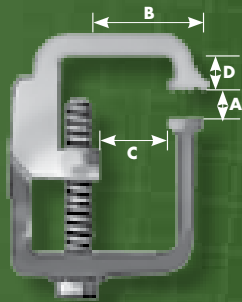


Toll Free Phone
800-348-7625
www.lavanture.com

Our Most Popular Tite-Lok Clamps



Some Clamps are Available Bagged or Carded. Call for Information and Pricing.



- A: Clamping Range**
Minimum and maximum the clamp opens
- B: Major Reach**
Distance the clamp reaches out over the truck rail
- C: Minor Reach**
Distance clamp reaches over the rail less the length of the toothed portion
- D: Depth of Reach**
The distance the clamp reaches in a vertical measurement from the flat of the truck rail.

Specifications and Dimensions

Stock #	Description	A	B	C	D	Carton Qty.
TL1	Rail Hugging Clamp	0 to 1-1/2"	1-7/8"	1-1/8"	n/a	50 pcs.
TL2	Rail Hugging Clamp	0 to 1"	1-7/8"	1-1/8"	n/a	50 pcs.
TL101C	Rocking Clamp	0 to 7/8"	2"	1"	n/a	50 pcs.
TL103	Rocking Clamp	0 to 7/8"	2-3/4"	1"	n/a	50 pcs.
TL105	Rocking Clamp	0 to 7/8"	1-3/4"	1"	0.854"	50 pcs.
TLAD	Fiberglass or Aluminum Rail Clamp	0 to 1-3/4"	1-5/8"	1-1/8"	n/a	50 pcs.
TL123	C-Style Clamp	0 to 2-1/4"	2-3/16"	1-1/4"	n/a	50 pcs.
TL150	Ford F150 97-99	0 to 1-3/8"	2-1/2"	1"	n/a	50 pcs.
TL250	Ford F250/350 99- newer	0 to 1-3/8"	3"	1"	n/a	50 pcs.
TL2002	Classic Clamp	0 to 1-3/8"	1-3/4"	1"	n/a	50 pcs.
TL2007	Classic Clamp	0 to 1-3/8"	2-1/2"	1-3/4"	n/a	50 pcs.
TL2028	Tonneau & Lid Clamp	0 to 3/4"	1-1/2"	1"	1"	50 pcs.

All above parts assembled

The items listed above are just a few of the most popular clamps we have in inventory. The complete line of Tite-Lok Clamps is available for immediate shipment. Please us contact for information on all Tite-Lok products.

Rail Hugging Clamps

TL1 and TL2 are designed for mounting truck caps or lids with fiberglass or aluminum rails. TLAD Clamps are designed for mounting truck caps with fiberglass or aluminum rails.

Rocking Clamps

The top bracket rotates for easy installation without dismantling the clamp (most applications). TL103, TL105 and under rail hugging clamps are designed for mounting truck caps with fiberglass or aluminum rails.

TL101C is designed with a 3 inch bolt for mounting aluminum rail truck caps or covers with no clamping surface.

C-Style Clamps

TL123 is designed for mounting aluminum or fiberglass rail caps or covers. (assembled only)

Ford Mounting Clamp

TL250 is designed for 1999 and newer Ford heavy duty 250 & 350 trucks.

TL150 is designed with a 2" cut width for shipping or mounting caps or covers with extra heavy wood rails. (assembled only)

Classic Clamps

TL2002 is designed for mounting truck caps or covers with fiberglass or aluminum rails.

TL2007 is a specially designed clamp with 3/4" cut width for extra reach for mounting truck caps with fiberglass or aluminum rails.

Tonneau & Lid Clamp

TL2028 is designed for mounting fiberglass lids, primarily A.R.E. lids and other lids with similar rails.

TITE • LOK CLAMPS



Toll Free Phone
800-348-7625
www.lavanture.com



Krylon® Industrial Paint-All™ Enamel Paints

Paint-All® Enamel Paints offer an excellent value for a durable, general industrial use spray paint. This high gloss paint dries tack-free in 18 minutes.

- Equipped with EZ TOUCH® Standard Nozzle
- Acrylic enamel formulation

Recommended Uses: For use on ceramic, plaster, glass, metal, wood, and most other surfaces.



Dupli-Color Undercoating

Dupli-Color undercoating forms a tough, flexible coating that protects against rust, corrosion, road salt, alkali and acids. Resists abrasion, will not flake or chip off under vibration. Deadens Sound!!

Spray Products

Stock #	Description	Color	Size	Carton Quantity
LPC201	Enamel	Shiny Aluminum	10 oz	12 cans
LPC202	Enamel	Gloss White	10 oz	12 cans
LPC203	Enamel	Gloss black	10 oz	12 cans
LPC207	Enamel	Flat Black	10 oz	12 cans
LPC209	Enamel	Gloss Almond	10 oz	12 cans
LPC212	Primer	Red Oxide	10 oz	12 cans
LPC213	Primer	Gray	10 oz	12 cans
LPC101	Undercoater	Black	20 oz	12 cans

SprayOn® All Purpose Silicone Lube

All Purpose Silicone Lube is an economical lubricant for applications where petroleum based products are not desired. This 5% silicone formula protects against air and moisture to retard oxidation and corrosion. It virtually eliminates friction and sticking to improve high-speed production. Leaves a long lasting film that is compatible with most surfaces.

- 5% silicone formula
- Reduces friction and sticking; protects against corrosion and oxidation with an invisible film that repels water
- Compatible with most surfaces; will not attack most plastics
- Will not interfere with painting or decorating
- Effective from -50°F to +375°F
- Aerosol is equipped with SPRAY ANYWAY™ valve and extension tube

Recommended Uses: Rubber moldings, windows, sliding wood surfaces, sewing equipment, sliding racks, dissimilar metals, springs, leather, doors, hinges, weather-stripping and plastic assemblies.

SprayOn Silicone Spray

Stock #	Description	Color	Size	Carton Quantity
LPC16024	Silicone Lube	Clear	10 oz	12 cans

SPRAY PRODUCTS



Toll Free Phone
800-348-7625
www.lavanture.com

Multi-Purpose Spray Adhesive

WLO7000 is a multi-purpose industrial spray adhesive formulated for bonding a variety of lightweight materials with a long lasting secure bond. It provides high coverage, has a low soak-in factor and contains no ozone depleting CFS's.

Recommended uses include: woodworking, insulation installation, production line work and assembly.



Stop Gap!™ Minimal Expanding Insulating Foam

Stop Gap!™ Minimal Expanding Insulating Foam expands to take the shape of gaps and crevices forming an airtight and waterproof bond to most surfaces. Stop Gap!™ dries tack free in 15 minutes and cures in 8 hours. It can be trimmed, sanded and painted. Exposure to sunlight will cause discoloration, so exterior usage requires painting.

For use on: wood, metal, masonry, glass and most plastics



White Lightning Products				
Stock #	Description	Color	Size	Carton Quantity
WL07000	Multi Purpose Adhesive	Off White	16.75 oz	12 cans
WL11111	Expanding Foam	Tan	12 oz	8 cans

3M Glass Cleaner

An aerosol cleaner for all glass surfaces including windows, windshields, mirrors, and side glass. May also be used to clean automotive vinyl, interior plastic, and clear plastic. 3M Glass Cleaner is non-flammable, and will not affect painted surfaces.

3M Glass Cleaner				
Stock #	Description	Color	Size	Carton Quantity
LPC111	Glass Cleaner	Clear	19 oz	12 cans



SPRAY PRODUCTS



Toll Free Phone
800-348-7625
www.lavanture.com

We stock a large inventory of quality engineered Gas Springs and Accessories. The gas springs are available in both Black Nitride and Stainless Steel all at factory pricing and in stock for immediate shipment.

Black Nitride Gas Springs

The LaVanture black nitride gas spring incorporates a strong annealed steel rod with a nitride coating for added corrosion resistance, especially when used with the composite end fitting.

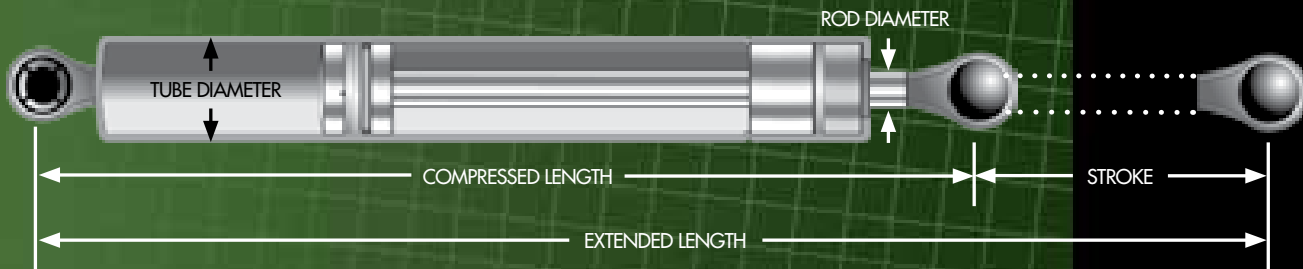
Stainless Steel Gas Springs:

The LaVanture stainless steel gas spring is made of corrosion resistant 316 stainless steel material. All the stainless parts have a specially prepared surface to provide additional hardness and corrosion resistance. Add our composite end fitting and you will have a gas spring that will not rust or corrode even in the harshest environments.

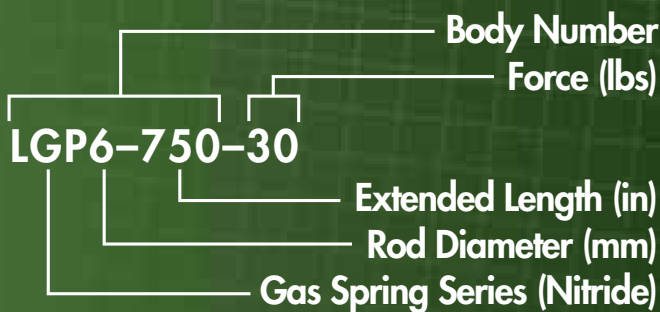
All LaVanture Gas Springs Carry a Limited Two Year Warranty

The LaVanture Gas Spring is a self-contained, nitrogen-driven counterbalance product which provides uniform handle forces, non-catastrophic failure and extended years of service.

How to Measure:



LaVanture Part Number Configuration:



Custom Gas Spring

We also provide design and engineering services for custom gas springs to meet special application specifications. Our engineering staff can design to your specifications including up to 400 pounds of pressure, rods up to 14 mm, optional dampening and all fittings to meet requirements.

Applications:

- Tool Boxes
- Luggage Doors
- Truck Cap Windows
- Utility Boxes
- Tonneau Covers
- Fiberglass Doors
- Work Truck Doors
- Boat Hatches

LaVanture Black Nitride Gas Springs are used where exceptional quality combined with a sleek overall black appearance are required.

Stainless Steel Gas Springs are available for all marine applications where rust and corrosion resistance is needed as well as medical and food service applications where a high degree of cleanliness is required.

Also Available:

- Custom Dampening
- Locking Springs

CUSTOM SIZES AVAILABLE



Toll Free Phone
800-348-7625
www.lavanture.com

Note:

Ball Ends are available in various sizes and in Steel Zinc and Stainless Steel. See chart on page 56 for details.

End Fittings are available in various sizes and configurations. Materials available are Steel Zinc, Black Nitride, Zinc Alloy, Black Composite and Stainless Steel. See chart on page 56 for details.

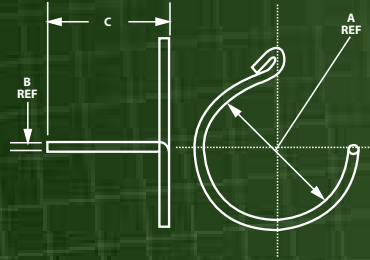
Series LEF end fittings N, C, D, O, K, and L require LSC10 Safety Clip.

LEF-A has a Stainless Steel Safety Clip

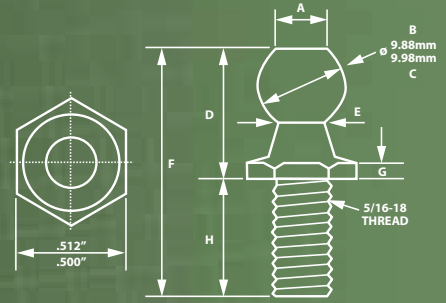


Safety Clips, Ball Ends and End Fittings

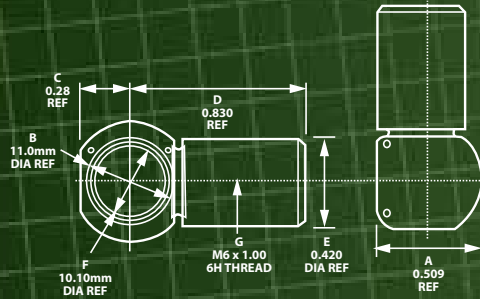
LSC10 LSC13



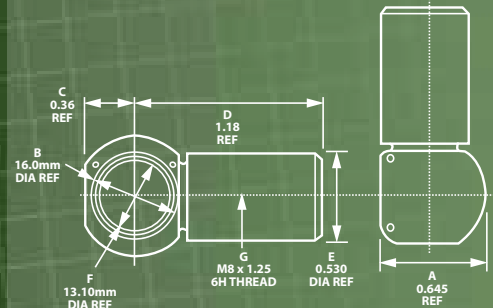
LBS10 LBS13



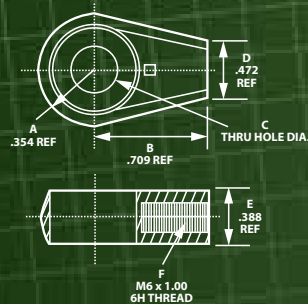
LEF N-C-D-O-K-L



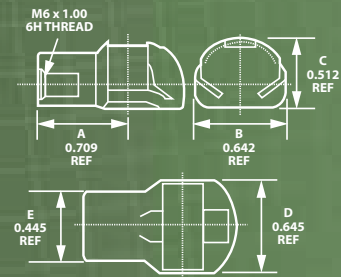
LEF B3 E-F



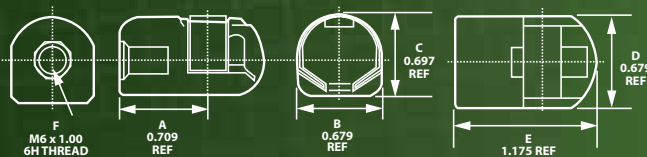
LEF G-H-I-J-B-1



LEF-T LEF-D1



LEF-A (V)



CUSTOM END FITTINGS AVAILABLE



Toll Free Phone
800-348-7625
www.lavanture.com



Safety Clips – 316 Stainless Steel

Stock#	Size	A	B	C
LSC10	10mm	0.354	0.039	0.492
LSC13	13mm	0.433	0.047	0.630

Ball Ends

Stock#	Material	A	B	C	D	E	F	G	H
LBS10	Steel Zinc	0.25	9.88mm	9.96mm	0.660	0.234	1.200	0.110	0.540
LBS10A	Steel Zinc	0.25	9.88mm	9.96mm	0.660	0.234	1.410	0.110	0.750
LBS10S	Stainless	0.25	9.88mm	9.96mm	0.660	0.234	1.200	0.110	0.540
LBS10B	Steel Zinc	0.25	9.88mm	9.98mm	0.660	0.234	1.660	0.110	1.000
LBS10BS	Stainless	0.25	9.88mm	9.98mm	0.660	0.234	1.660	0.110	1.000
LBS13	Steel Zinc	0.28	12.83mm	12.98mm	0.750	0.275	1.438	0.122	0.688
LBS13S	Stainless	0.28	12.83mm	12.98mm	0.750	0.275	1.438	0.122	0.688
LBS13B	Steel Zinc	0.28	12.83mm	12.98mm	0.785	0.275	1.785	0.142	1.000

End Fittings – Requires Safety Clips

Stock#	Material	A	B	C	D	E	F	G
LEF-N	Steel Zinc	0.509	11mm	0.28	0.830	0.42	10.10mm	M6 x 1.00
LEF-C	Black Nitride	0.509	11mm	0.28	0.830	0.42	10.10mm	M6 x 1.00
LEF-D	Stainless	0.509	11mm	0.28	0.830	0.42	10.10mm	M6 x 1.00
LEF-O	Steel Zinc	0.509	11mm	0.28	0.709	0.42	10.10mm	M6 x 1.00
LEF-K	Black Nitride	0.509	11mm	0.28	0.709	0.42	10.10mm	M6 x 1.00
LEF-L	Stainless	0.509	11mm	0.28	0.709	0.42	10.10mm	M6 x 1.00
LEF-B3	Steel Zinc	0.645	16mm	0.36	1.180	0.53	13.10mm	M8 x 1.25
LEF-E	Black Nitride	0.645	16mm	0.36	1.180	0.53	13.10mm	M8 x 1.25
LEF-F	Stainless	0.645	16mm	0.36	1.180	0.53	13.10mm	M8 x 1.25

LEF-N, C, D, O, K, L Use LSC10 Clip and LEF (B3, F,E) Use LSC13 Clip

End Fittings – G, H, I, J, B1 Series

Stock#	Material	A	B	C	D	E	F
LEF-G	Zinc Alloy	0.354	0.709	0.513	0.472	0.388	M6 x 1.00
LEF-H	Zinc Alloy	0.354	0.709	0.408	0.472	0.388	M6 x 1.00
LEF-I	Zinc Alloy	0.354	0.709	0.328	0.472	0.388	M6 x 1.00
LEF-J	Zinc Alloy	0.354	0.709	0.263	0.472	0.388	M6 x 1.00
LEF-B1	Zinc Alloy	0.354	0.709	0.208	0.472	0.388	M6 x 1.00

End Fittings – Use with 10MM Ball Stud

Stock#	Material	A	B	C	D	E	F
LEF-A	Black Composite	0.709	0.679	0.697	0.679	1.175	M6 x 1.00
LEF-V	Black Composite	0.709	0.697	0.697	0.679	1.175	M6 x 1.00
LEF-T	Black Nitride	0.709	0.642	0.512	0.645	0.455	M6 x 1.00
LEF-D1	Black Composite	0.709	0.642	0.512	0.645	0.455	M6 x 1.00

LEF-A Has a Nitrided Safety Clip LEF-V Has a Stainless Safety Clip



GAS SPRINGS AND ACCESSORIES

CUSTOM SIZES
AVAILABLE



Toll Free Phone
800-348-7625
www.lavanture.com

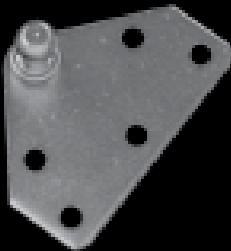
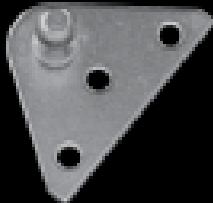
Mounting Brackets

LPC stocks a wide variety of Mounting Brackets in several materials and finishes. Stock Numbers are coded as follows:

LPBxx	Steel Zinc Plate
LPBxxA	Aluminum
LPBxxB	Black Powder
LPBxxS	Stainless
LPBxxL	Long Ball Stud
LPBxxR	Reverse Ball

Please use these stock number designations when ordering.

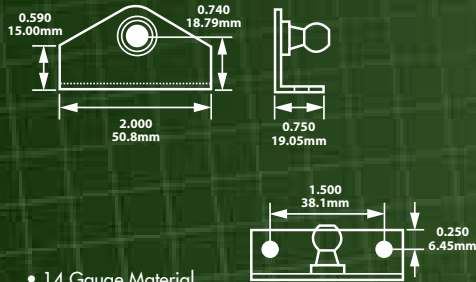
Note: (B) Powder Coated are individually bagged



Toll Free Phone
800-348-7625
www.lavanture.com

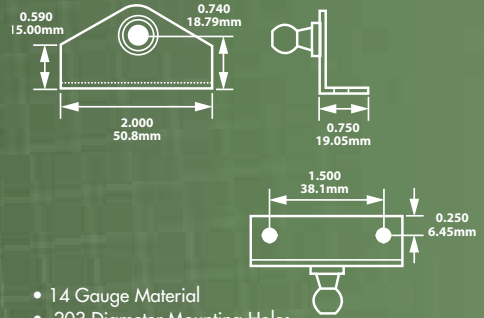
Mounting Brackets

LPB10R (RS, RB)



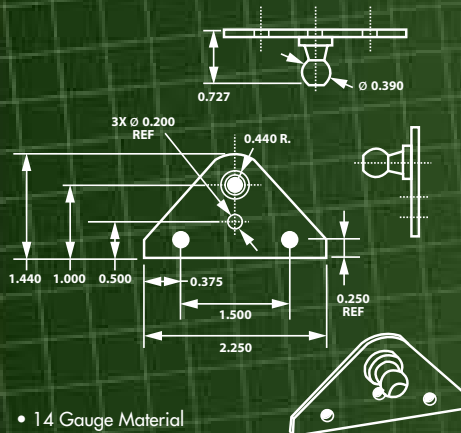
- 14 Gauge Material
- .203 Diameter Mounting Holes
- 10mm Ball Stud

LPB 15 (B, S)



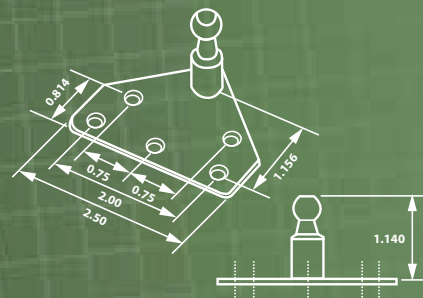
- 14 Gauge Material
- .203 Diameter Mounting Holes
- 10mm Ball Stud

LPB12 (B, S)



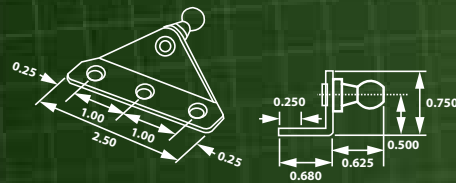
- 14 Gauge Material
- .203 Diameter Mounting Holes
- 10mm Ball Stud

LPB13L



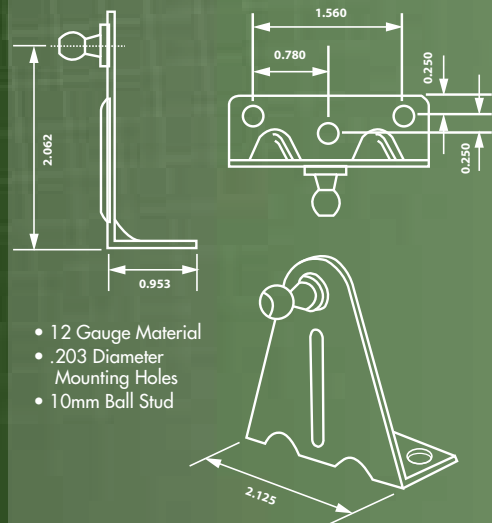
- 14 Gauge Material
- .203 Diameter Mounting Holes
- 10mm Long Ball Stud

LPB26 (R)



- 12 Gauge Material
- .200 Diameter Mounting Holes
- 10mm Ball Stud

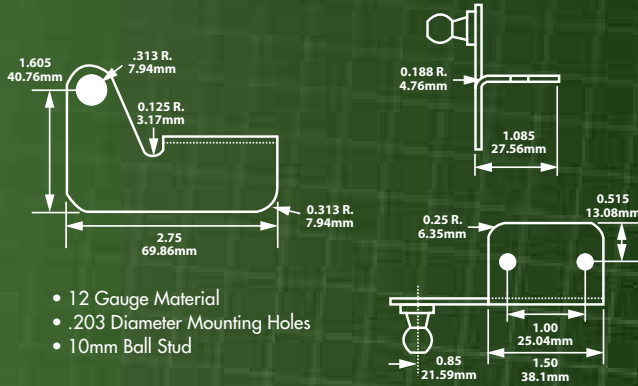
LPB45 (B, S)



- 12 Gauge Material
- .203 Diameter Mounting Holes
- 10mm Ball Stud

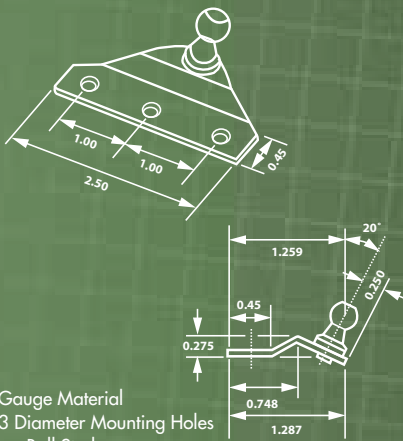


LPB11 (B, S)



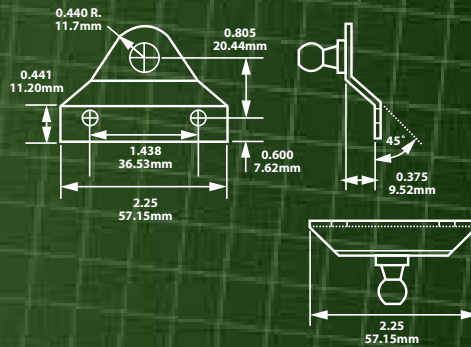
- 12 Gauge Material
- .203 Diameter Mounting Holes
- 10mm Ball Stud

LPB24 (B, S)



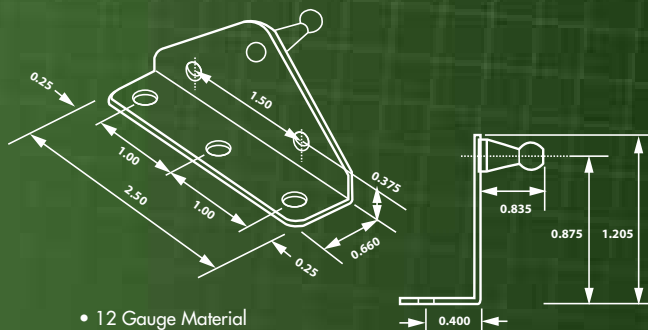
- 14 Gauge Material
- .203 Diameter Mounting Holes
- 10mm Ball Stud

LPB25 (B, S)



- 14 Gauge Material
- .203 Diameter Mounting Holes
- 10mm Ball Stud

LPB51L (10mm Long Ball Stud Only)



- 12 Gauge Material
- .281 Diameter Mounting Holes
- 10mm Long Ball Stud



GAS SPRINGS AND ACCESSORIES

CUSTOM BRACKETS AVAILABLE



Toll Free Phone
800-348-7625
www.lavanture.com

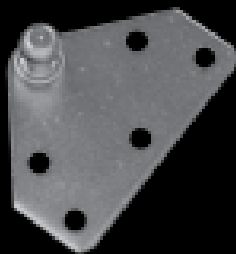
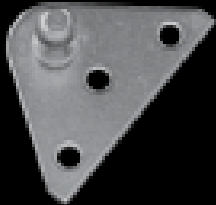
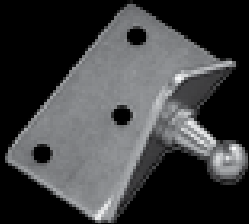
Mounting Brackets

LPC stocks a wide variety of Mounting Brackets in several materials and finishes. Stock Numbers are coded as follows:

LPBxx	Steel Zinc Plate
LPBxxA	Aluminum
LPBxxB	Black Powder
LPBxxS	Stainless
LPBxxL	Long Ball Stud
LPBxxR	Reverse Ball

Please use these stock number designations when ordering.

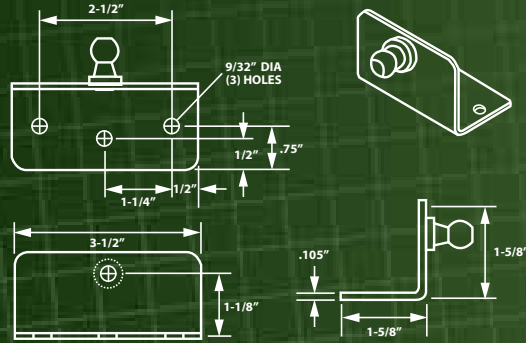
Note: (B) Powder Coated are individually bagged



Toll Free Phone
800-348-7625
www.lavanture.com

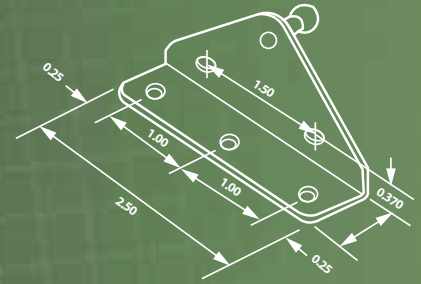
Mounting Brackets

LPB52



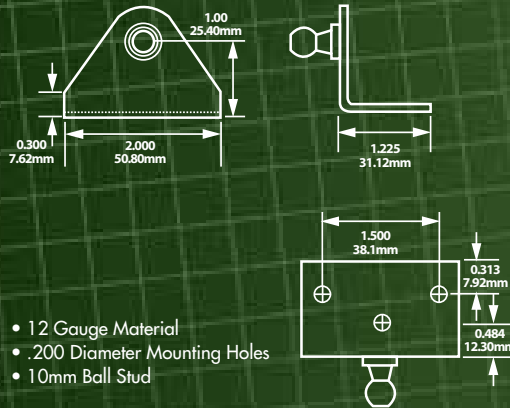
- 10 Gauge Material
- .281 Diameter Mounting Holes
- 13mm Ball Stud

LPB53 (R)



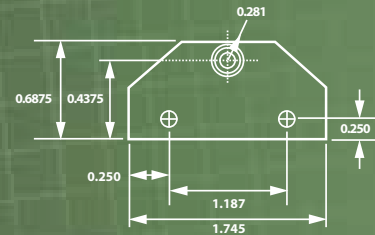
- 14 Gauge Material
- .200 Diameter Mounting Holes
- 10mm Ball Stud

LPB60 (A, B, S)



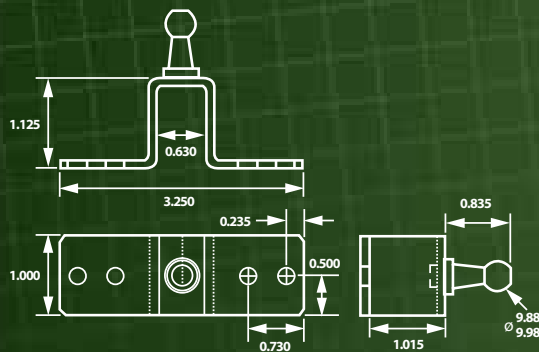
- 12 Gauge Material
- .200 Diameter Mounting Holes
- 10mm Ball Stud

LPB65



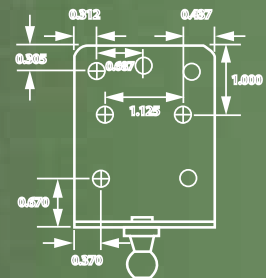
- 14 Gauge Material
- .200 Diameter Mounting Holes
- 10mm Long Ball Stud

LPB70



- 12 Gauge Material
- .250 Diameter Mounting Holes
- 10mm Ball Stud

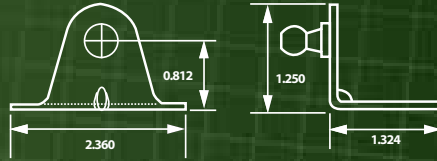
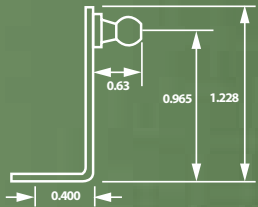
LPB75 (B)



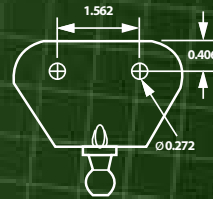
- 13 Gauge Material
- .200 Diameter Mounting Holes
- 10mm Ball Stud



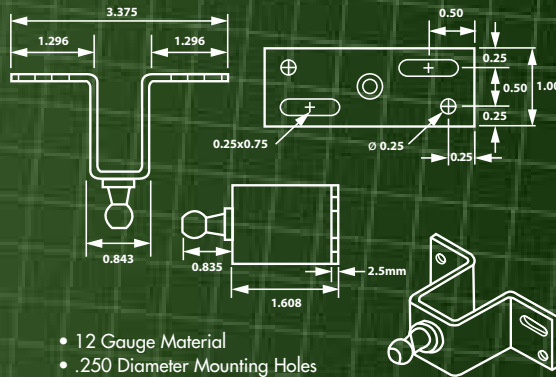
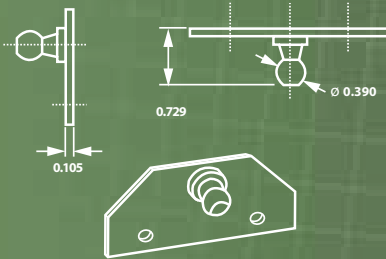
LPB55



- 12 Gauge Material
- .272 Diameter Mounting Holes
- 10mm Ball Stud

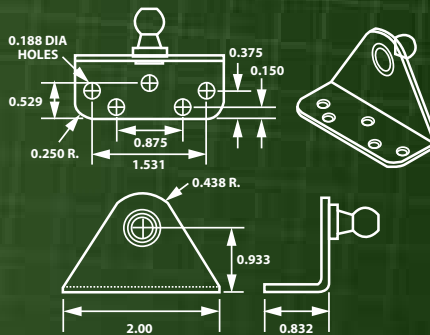
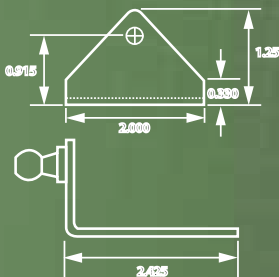


LPB69



- 12 Gauge Material
- .250 Diameter Mounting Holes
- 10mm Ball Stud

LPB85 (S)



- 13 Gauge Material
- .188 Diameter Mounting Holes
- 10mm Long Ball Stud



GAS SPRINGS AND ACCESSORIES

**CUSTOM
BRACKETS
AVAILABLE**



Toll Free Phone
800-348-7625
www.lavanture.com

Mounting Brackets

Mounting Brackets

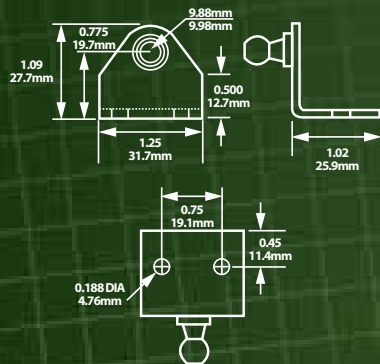
LPC stocks a wide variety of Mounting Brackets in several materials and finishes. Stock Numbers are coded as follows:

LPBxx	Steel Zinc Plate
LPBxxA	Aluminum
LPBxxB	Black Powder
LPBxxS	Stainless
LPBxxL	Long Ball Stud
LPBxxR	Reverse Ball

Please use these stock number designations when ordering.

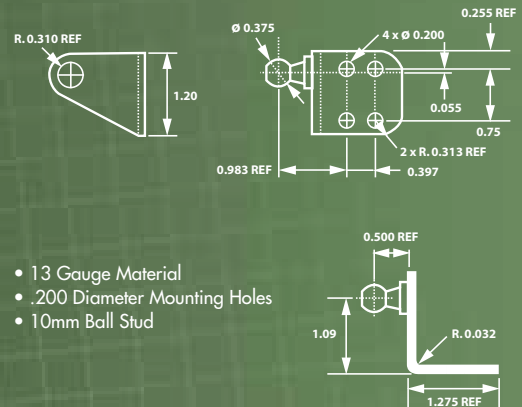
Note: (B) Powder Coated are individually bagged

LPB92 (B, R, S, RB, RS)



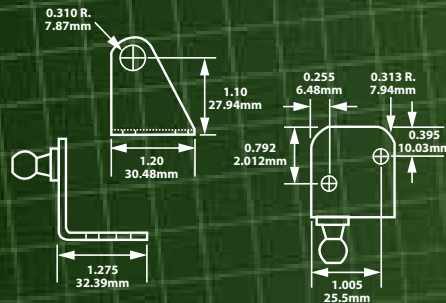
- 13 Gauge Material
- .188 Diameter Mounting Holes
- 10mm Ball Stud

LPB53 (R)



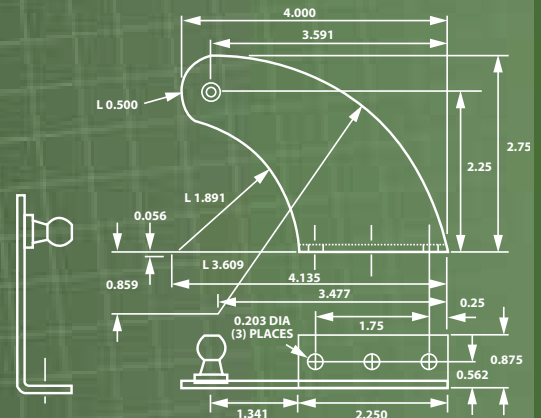
- 13 Gauge Material
- .200 Diameter Mounting Holes
- 10mm Ball Stud

LPB60 (A, B, S)



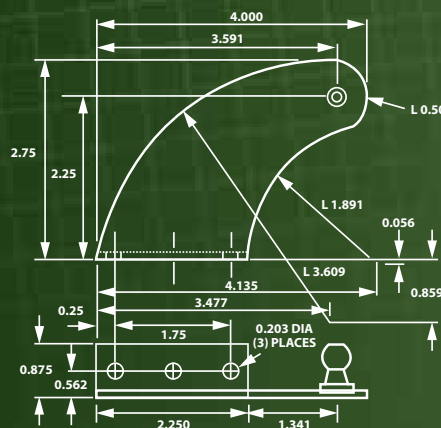
- 13 Gauge Material
- .200 Diameter Mounting Holes
- 10mm Ball Stud

LPB97R



- 11 Gauge Material
- .203 Diameter Mounting Holes
- 10mm Ball Stud
- Left Curved Bracket

LPB99R



- 11 Gauge Material
- .203 Diameter Mounting Holes
- 10mm Ball Stud
- Right Curved Bracket

GAS SPRINGS AND ACCESSORIES

Custom Gas Spring

We also provide design and engineering services for custom gas springs to meet special application specifications. Our engineering staff can design to your specifications including up to 400 pounds of pressure, rods up to 14 mm, optional dampening and all fittings to meet requirements.

For additional information on Custom Gas Springs call our information hotline at 800-348-7625 or visit the Gas Springs section of our web site at www.lavanture.com/customgassprings



Toll Free Phone
800-348-7625
www.lavanture.com



Innovative Products For Challenging Applications

Since 1969 LaVanture Products Company has been providing customers with high quality Edge Trims, Seals and Foam Tape to meet the challenging applications of todays markets. All of these products meet our quality standards and have passed a rigid testing program. If we sell it... we stand behind it!!

- EPDM Seals
- Trim Seals
- Edge Trim
- Foam Tapes
- Butyl Tapes
- Caulks and Sealants

LaVanture Products is your Competitive Source for a Complete Line of Innovative Products In-Stock for Immediate Delivery.

See our sealant catalog for other parts.



Toll Free Phone
800-348-7625
www.lavanture.com



22825 Gallatin Way
Post Office Box 2088
Elkhart, IN 46515-2088

Phone: 574-264-0658
Fax: 574-264-6601
E-mail: sales@lavanture.com

www.lavanture.com