


INSPIRATIONAL SINKS AND APPLIANCES

OHIO COLLECTION



Designed with the Kiwi householder in mind, stylish yet functional our sinks and appliances are built to last.

2020 COLLECTION

 100% NEW ZEALAND OWNED AND OPERATED

SINKS



SINKS



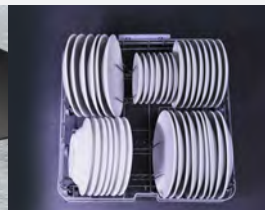
TAPWARE



WASTE DISPOSALS



COOKING + VENTLIATION



DISHWASHERS + REFRIGERATION



LAUNDRY

APPLIANCES

SINK CONSIDERATIONS

Top, flush or under mount?

TOP MOUNT

Top mount sinks are installed from above into a pre-prepared hole in your benchtop.

FLUSH MOUNT

Flush mount sinks feature a single thickness edge allowing it to sit flush against the benchtop material.

UNDER MOUNT

Under mount sinks are installed underneath the worksurface so a solid surface worktop, such as granite or wood, is recommended. They are not generally compatible with laminate.



Rolled, bevelled or laser/integrated edge?

Some of our Reginox sinks give you the option of either a rolled (R) or laser (L) edge. When selecting a top mount sink, a rolled edge gives a traditional look and lifts the sink slightly higher off the benchtop, while a laser edge gives a seamless, flatter profile.



Which cabinet size?

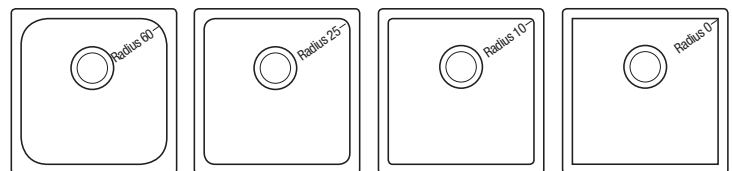
It is very important to know your cabinet size before deciding on a sink as it will impact the size and style. Start with the cabinet size and deduct 36mm for the sides (it comes in different sizes by 12, 16 or 18mm board but 36mm is a figure that generally you are safe with). If you have a 600mm cabinet, deduct 38mm and you're left with 562mm of useable space. When choosing a sink to undermount take the overall length of the sink, however when top mounting you can just use the measurements of the actual bowl(s). It is always ideal to allow some room either side of the sink for the electrician to equipotentially bond your sink or the plumber to plumb it, working in a cabinet where the sink is at capacity and leaves little room on either side can come with its own set of issues. NOTE: if you choose a reversible sink and are top mounting it, ensure you also allow for the overflow (positioned at the side of the sink).

Pressed or handmade?

Pressed bowls are made from drawing the bowls shape out of a sheet of stainless steel and pressing it into a model to get its shape, while handmade (or fabricated) bowls are made by folding their shape and welding its sides. Sinks can be manufactured from different thickness stainless steel, generally the thicker the steel, the more expensive the sink becomes. Most Ikon sinks either come in 1.0mm or 1.2mm high grade 304 stainless steel. 1.2mm thick stainless steel sinks are suitable for both commercial and residential use.

Which corner radius?

Essentially, the larger the radius, the rounder the corner. Most of our line drawings refer to the internal (inside) corner radius but you will occasionally also see the external (outside) radius corner mentioned. A 'radius 10' corner is ideal as you can fit your fingers down into the corners for cleaning. A tighter radius corner than 'radius 10' will require more effort.

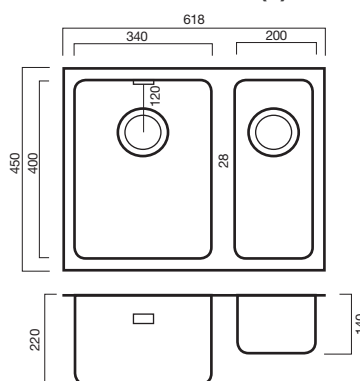


Left, right or reversible?

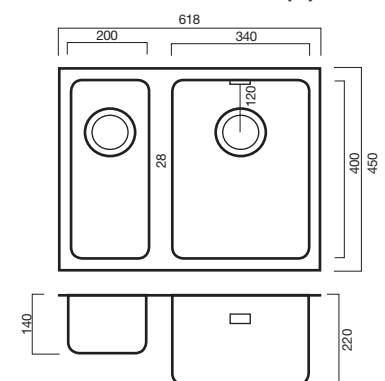
When we refer to a sink being left (L) or right (R) we are specifically referring to the main (largest) bowl on the sink. This has no bearing on the drainer (when applicable).

Reversible sinks have their waste(s) in the centre and overflows to the side of the bowl which means they can be turned either way.

EXAMPLE OF A LEFT (L) SINK:



EXAMPLE OF A RIGHT (R) SINK:



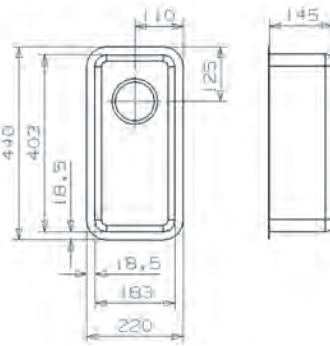
OHIO COLLECTION

PERFECT BALANCE
DESIGN & FUNCTION
EFFORTLESS & ASSURED

- Can be top, under or flush mounted (refer to your fabricator)
- Designer overflow
- Matte finish
- 26.5mm internal radius corners
- 304 High grade Stainless Steel
- Single press process
- Comes complete with clips (if top mounting), basket waste and overflow
- Lifetime warranty



OHIO 80x42. Picture supplied by Reginox



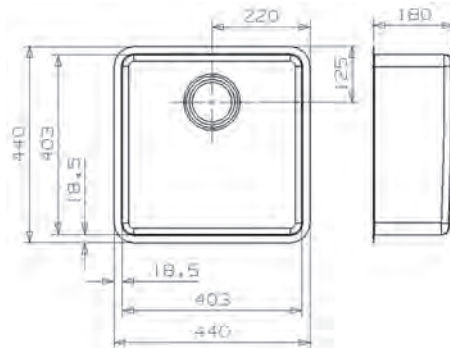
MODEL OHIO 18x40
CODE IK710015

Suggested cabinet size: 40cm
 Laser edge

Depth: 145mm
Radius: internal 26.5mm
 external 45mm



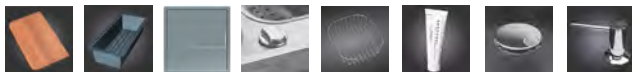
AW112 AI999 AW115 PS100



MODEL OHIO 40x40
CODE IK710018

Suggested cabinet size: 50cm
 Laser edge

Depth: 180mm
Radius: internal 26.5mm
 external 45mm



AF143 AC001 R29657 AW112 AD103 AI999 AW115 PS100

ACCESSORIES FOR THESE BOWLS:



AF143



AC001



R29657



AW112



AD103



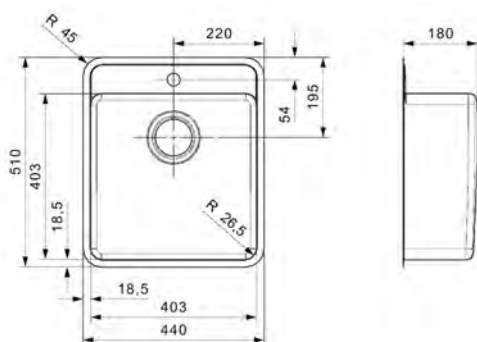
AI999



AW115



PS100



MODEL OHIO 40x40

Tapwing

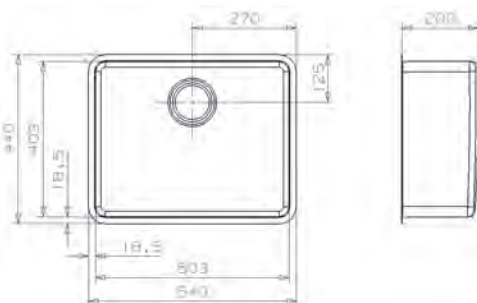
CODE R15803

Suggested cabinet size: 50cm

Laser edge

Depth: 180mm

Radius: internal 26.5mm
external 45mm



MODEL OHIO 50x40

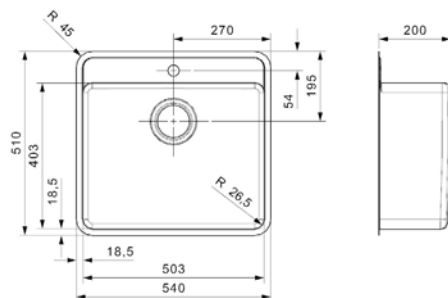
CODE IK710021

Suggested cabinet size: 60cm

Laser edge

Depth: 200mm

Radius: internal 26.5mm
external 45mm



MODEL Ohio 50x40

Tapwing

CODE R15698

Suggested cabinet size: 60cm

Laser edge

Depth: 200mm

Radius: internal 26.5mm
external 45mm

ACCESSORIES FOR THESE BOWLS:



AF143



AC001



R29657



AW112



AD103



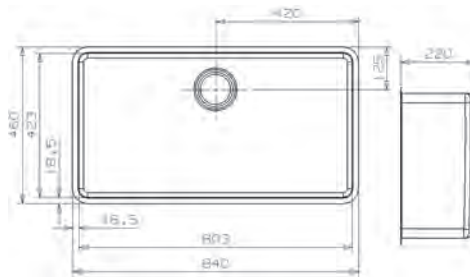
AI999



AW115



PS100



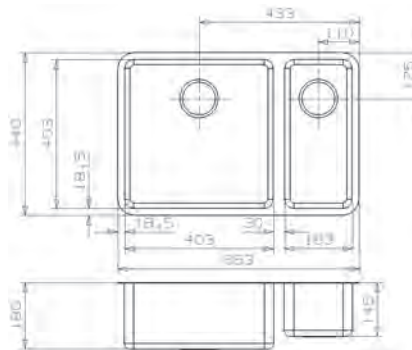
MODEL OHIO 80x42

CODE IK710024

Suggested cabinet size: 90cm
Laser edge

Depth: 220mm

Radius: internal 26.5mm
external 45mm



MODEL OHIO
40x40+18x40

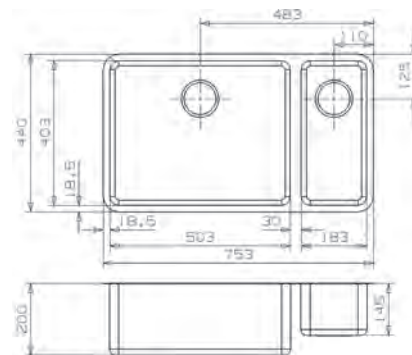
CODE IK720015L
IK720015R

Left (L) or right (R) refers to the largest bowl position

Suggested cabinet size: 75cm
Laser edge

Depth: 180mm/145mm

Radius: internal 26.5mm
external 45mm



MODEL OHIO
50x40+18x40

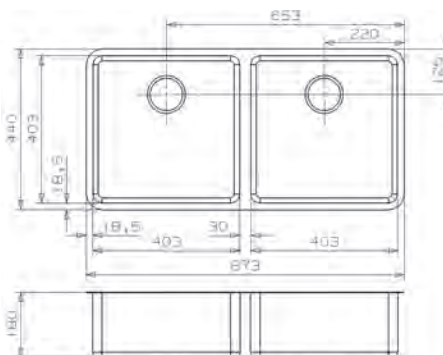
CODE IK723021L
IK723021R

Left (L) or right (R) refers to the largest bowl position

Suggested cabinet size: 80cm
Laser edge

Depth: 200mm/145mm

Radius: internal 26.5mm
external 45mm



MODEL OHIO
40x40+40x40

CODE IK720018

Suggested cabinet size: 95cm
Laser edge

Depth: 180mm/180mm

Radius: internal 26.5mm
external 45mm

Add a

splash of colour

with our NEW waste & overflow option

Ikon are excited to be able to now offer stainless steel sinks with iKolor-ed **wastes** and **overflows**.

An ideal option for adding a splash of colour for a more subtle result.

Purchase **overflows** and **wastes*** in any of the 24 standard iKolor options.

**Waste & overflows must be purchased with an Ikon sink, cannot be purchased on their own. iKolor-ed wastes and overflows are available through any of our trade partners.*



The only limit is your imagination.

www.ikon.nz



iKolor - More than just coloured sinks.

With iKolor* it's now possible to add colour to the kitchen through colouring the stainless steel components of kitchen appliances. This includes, **taps, ovens, rangehoods** and **dishwashers**, in our range.

Open up a new realm of creative design possibilities.

**iKolor is available through any of our trade partners who have trained to be an iKolor Specialist.*

TRADE ONLY: If you would like to become an iKolor Specialist, please contact your local Ikon Business Development Consultant to find out how.

Ikon® Commercial Limited. 12-14 Charlies Way, Frankton, HAMILTON
P 0800 83 83 84 F 0800 83 83 85 E orders@ikon.nz W www.ikon.nz





WARRANTY INFORMATION

IKON SINKS	WARRANTY
Stainless Steel Sinks	Lifetime*
Arizona Collection	5 years
iKolor™	5 years if purchased via a Premium Partner (otherwise 5 years). The warranty is with the original purchaser and cannot be transferred.
Quartz Granite	10 years
IKON APPLIANCES / OTHER	WARRANTY
Waste Disposals	2 years
Air Switch	1 year
Rangehoods / Ovens / Hobs	2 years
Ducting	1 year
KLEENMAID	WARRANTY
All Kleenmaid appliances	3 years
REGINOX	WARRANTY
Coloured Stainless Steel	5 years
PITT cooktops	5 years

Warranty starts from the date in which the product is invoiced to the customer. A copy of the invoice is required before warranty is undertaken. If you have a warranty for our products, please ask them to contact us directly on 0800 83 83 84, for greater efficiency and accuracy. If we can not find the invoice through our system, we may contact you to request it.

*Lifetime being 50 years

For New Zealand customers:

Please remember that the warranties on offer from Ikon are offered to you, the consumer, as a "manufacturers warranty". You may still have rights or remedies under the Consumer Guarantees Act that are not defined in our "standard warranties". Nothing in our warranty documentation or any other document can remove any rights you have under the CGA.

For further information, visit: www.consumerprotection.govt.nz

WARRANTY INFORMATION CONT

Ikon Commercial Limited (Ikon), as a New Zealand importer, hereby warrants (subject to the exclusions and conditions set out below) to the consumer (the consumer) of the brands of sinkware supplied directly or indirectly by or from Ikon that the product (the product) shall be free from manufacturing defects in materials or workmanship for a life time warranty (life time being 50 years for stainless steel sinks (unless otherwise stated), 10 year warranty for granite sinks and all accessories have a 1 year warranty) from the date of original purchase of the product from Ikon or from the retailer (as the case may be).

Subject to the below mentioned exclusion and conditions, the obligations of Ikon under this warranty shall be limited to either of the following (at Ikon's sole option):

1. To without charge repair or replace the defective Product (or the defective parts there of) and to reinstall the repaired or replaced product (or to pay reasonable costs of installation):

or

2. To refund the Consumer the original purchase price for the defective products:

AND such repair, replacement or refund shall constitute fulfilment of all of Ikon's obligations under this warranty. To the extent permitted by law Ikon will not whether by virtue of this warranty or otherwise be liable for and hereby disclaim any liability for any incidental, economic or consequential loss, expenditure or damage, directly or indirectly suffered by the Consumer or any other person in respect to any defect in the Product.

This warranty does not apply if:

1. The Product has been installed, used or cared for in any improper manner or otherwise contrary to any specifications, instructions or recommendations contained in any brochure or materials supplied on the original purchase of the product.

2. Any attempt is made to repair or modify the product in any way by any person without written authority of Ikon.

3. Installation of the product has occurred without regard to the installation instruction provided and full consideration is given to all regulatory codes covering electrical, gas and plumbing installations.

4. That this warranty does not extend to:

a) optional glass lids for hobs apart from claims which relate to mechanical or physical damages thereof at the date of purchase;

b) light globes of any ages;

c) damage to the ceramic glass caused by liquid or solid spillover, lack of maintenance or impact;

d) damage to surface coatings caused by cleaning or maintenance, using products not recommended by the owners handbook;

e) defects caused by normal wear and tear, accident, negligence, alteration or misuse;

f) The Product is not in the possession of the original Consumer;

g) The Product has been dismantled, repaired or serviced by other than an authorised Ikon service person.

5. All stainless steel sinks must be bonded to the general mass of earth. In situations where it is not required for electrical compliance it must be done for the purpose of equipotential bonding.

6. A claim under this warranty is not notified in writing to Ikon within a reasonable period after the defect in the Product would have become apparent to a reasonable person.

Any claim under this warranty must be made in writing to Ikon (at P.O. BOX 15158, Dinsdale) and must be supported by reasonable evidence of the date of original purchase of the Product and suspected defects in the Product must be made available for inspection by Ikon or it's authorised representatives.

Nothing in this Product warranty shall override or negative any statutory right or remedy that may be available to the Consumer under the Consumer Guarantees Act 1993, except where the Consumer has acquired Product for the purposes of business or commercial use.

7. If a service call is required and it is not a result of either faulty materials or workmanship, then Ikon or the service agent will charge the customer directly for the service call out. All warranties must go through the approved warranty process. No warranty claims may be expressed or implied by any party other than the warranty claims handler from Ikon. Official decisions will always be made in writing once a claim is fully investigated. Please refer to our website for latest updates and warranty conditions.

Disclaimer

Ikon Commercial Limited, is constantly seeking ways to improve the specifications, design and production of the Product. Alterations take place continually. Whilst every effort is made to produce up to date literature, brochures should not be regarded as an infallible guide to the current specifications, nor does it constitute an offer for the sale of any particular Product.

Product cutouts indicated in our literature are indicative only. Actual examples of the Product only should only be used to define cutout sizes. Distributors, agents and retailers have no authority to bind Ikon by any express or implied undertaking or representation.

AGB Stone, Hamilton.
Sulphur sink and Trento tap



Our showroom is located at: 12-14 Charlies Way, Frankton, Hamilton.

Our postal address is: PO Box 15158, Dinsdale Hamilton 3243

phone 0800 83 83 84 fax 0800 83 83 85 email orders@ikon.nz website www.ikon.nz



Available from:



VERSION ONE 2019