



## INSTALLATION INSTRUCTIONS FOR PART 99-3033

### APPLICATIONS

**1985-1990 Chevrolet Caprice**  
**1985-1990 Chevrolet Impala**

# 99-3033



#### KIT FEATURES

- DIN Head Unit Provisions
- ISO DIN Head Unit Provisions

#### KIT COMPONENTS

A) Radio Housing | B) ISO Snap-In Brackets | C) ISO Trim Plate



#### TOOLS REQUIRED:

Phillips Screwdriver | Socket Wrench



1-800-221-0932



[www.metraonline.com](http://www.metraonline.com)

© COPYRIGHT 2004 METRA ELECTRONICS CORPORATION

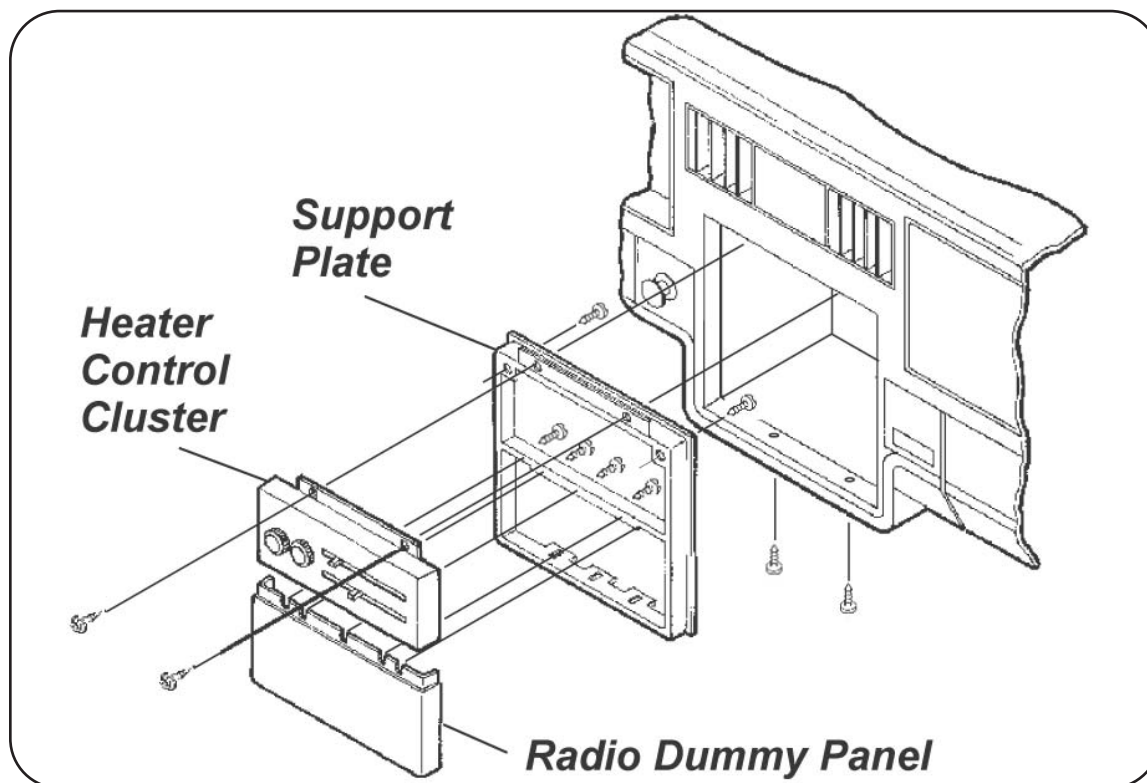


# 99-3033

## TABLE OF CONTENTS

- **Dash Disassembly**
  - **Chevy Caprice / Impala ----- 1**
  
- **Kit Assembly**
  - **Universal Kit Assembly ----- 2**
  - **ISO Head Unit Provision with Pocket ----- 3**
  - **DIN Head Unit Provision with Pocket ----- 3**
  
- **Final Assembly ----- 4**
  
- **Notes ----- 5**

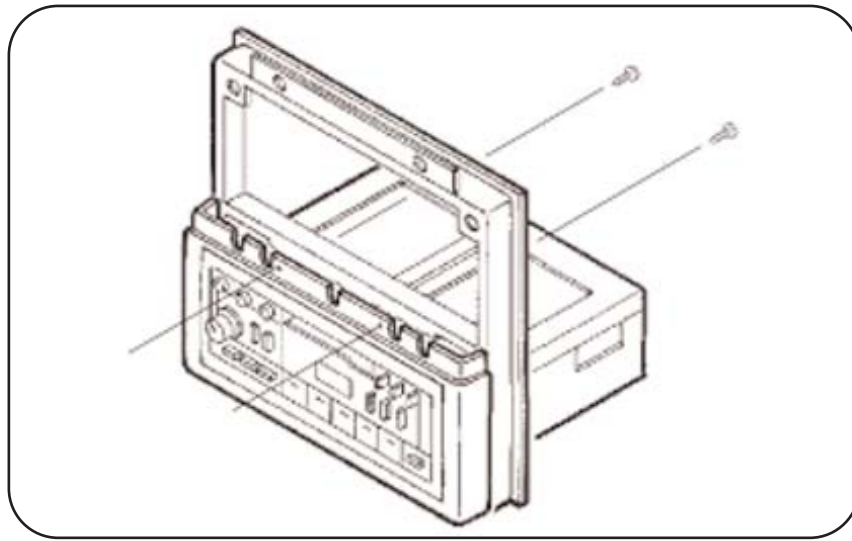
## 1985-1990 CHEVY CAPRICE / IMPALA



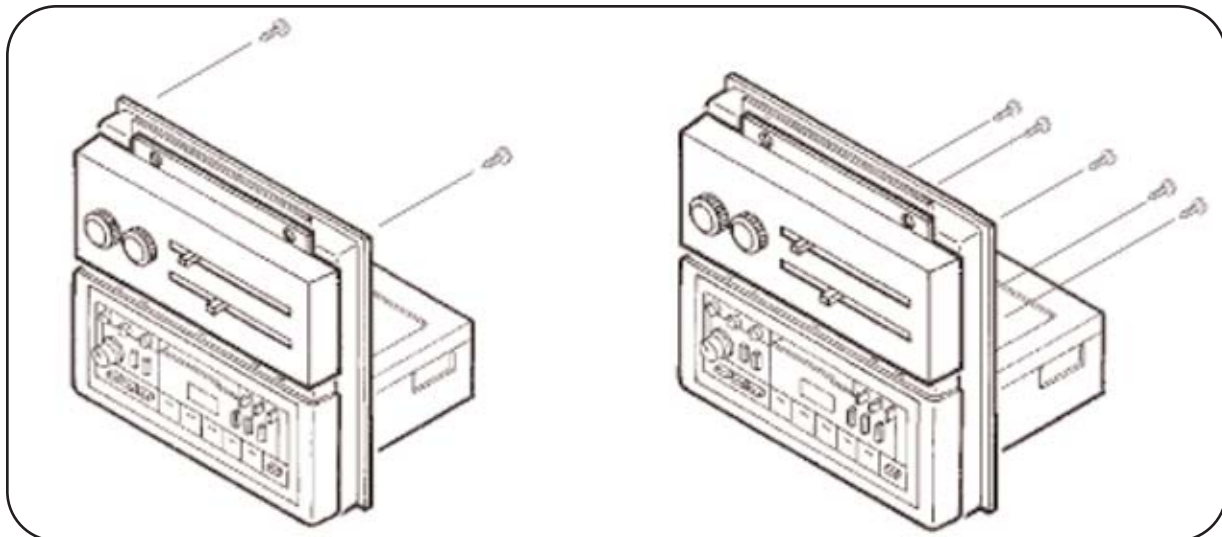
### DASH DISASSEMBLY

- 1** Disconnect the negative battery terminal to prevent an accidental short circuit.
- 2** Open the glove box and remove (4) hex-head screws from the door hinge.
- 3** Remove (2) hex-head screws from the top of the glove box liner.
- 4** Remove the retainer clip from the heater cable control lever.
- 5** Remove (1) hex-head screw from the tab securing the cable and disconnect.
- 6** Remove the ashtray cavity and (2) hex-head screws exposed in the ashtray cavity.
- 7** Remove (2) hex-head screws from above the climate controls and pull the support plate assembly from the dash.
- 8** Remove (2) hex-head screws securing the climate control cluster to the support plate.
- 9** Remove (5) hex-head screws securing the climate control cluster/head unit dummy panel assembly to the support plate and remove the assembly.

## KIT ASSEMBLY



Secure the radio housing to the support plate with (2) hex-head screws previously removed on page 1.



Mount the climate control cluster to the front of the support plate with (2) hex-head screws previously removed on page 1

Secure the climate control cluster/radio housing assembly to the support plate with (5) hex-head screws previously removed on page 1

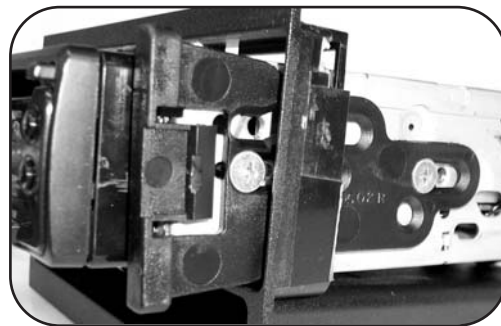
## DIN HEAD UNIT PROVISION



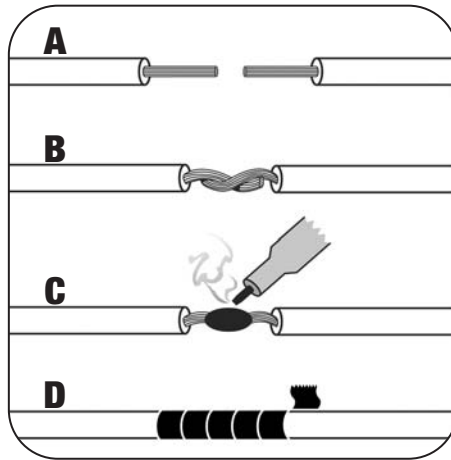
- 1** Slide the DIN cage into the Radio Housing and secure by bending the metal locking tabs down.
- 2** Slide the after-market head unit into the cage and secure. Snap trim plate into the radio housing.

## ISO DIN HEAD UNIT PROVISION

- 1** Mount the ISO Brackets to the head unit with the screws supplied with the unit.
- 2** Slide the head unit into the radio opening until the side clips engage.
- 3** Snap the Trim plate into the Radio Housing.

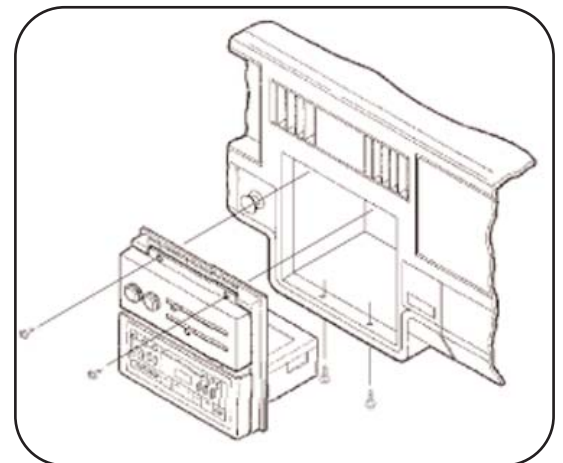


## FINAL ASSEMBLY



- A) Strip wire ends back 1/2"**
- B) Twist ends together**
- C) Solder**
- D) Tape**

- 1** Locate the factory wiring harness in the dash. Metra recommends using the proper mating adapter and making the connections as shown. (Isolate and individually tape off the ends of any unused wires to prevent electrical short circuit) See figure A.
- 2** Re-connect the negative battery terminal and test the unit for proper operation.
- 3** Mount the support plate assembly to the sub-dash with (4) hex-head screws previously removed on page 1. (Be sure the rear support bullet engages the rear support bracket in the dash).





**99-3033**

**NOTES**

**INST993033**



**1-800-221-0932**



**[www.metraonline.com](http://www.metraonline.com)**

© COPYRIGHT 2004 METRA ELECTRONICS CORPORATION