

INSTALLATION AND OPERATION INSTRUCTIONS

THE
GraceStone
COLLECTION
by S.B.Grace

DECORATIVE GAS FIRE PIT

Your Gracestone Decorative Gas Fire Pit by S.B.Grace is designed for installation in a fully vented, open air patio area which is constructed of non-combustible material. Fire pits are available for use with either Natural Gas or Liquid Propane.

The gas valve used with this decorative gas fire pit is a manual, keyed valve and requires no power wiring.

GENERAL INFORMATION

These instructions are intended as a general guide and do not supersede national or local codes in any way. Authorities having jurisdiction should be consulted before installation.

Installation and provision for combustion and ventilation air must conform with the National Fuel Gas Code. This fire pit has been tested to, and complies with, IAS 4-96-1996, U.S. Requirements for Outdoor Gas Fireplaces.

!!! IMPORTANT !!!

Read these instructions carefully before installing or operating this decorative gas fire pit. These instructions should be left with the homeowner for future reference.

!!! WARNING !!!

If the information in this manual is not followed exactly, a fire or explosion may result causing property damage, personal injury or loss of life.

Do not store combustible materials or use gasoline or other flammable vapors and liquids in the vicinity of this or any other appliance.

A liquid propane tank, not connected for use with this decorative gas fire pit, shall not be stored in the vicinity of this or any other appliance

Installation and service must be performed by a qualified installer, service agency, or the gas supplier.

!!! WARNING !!!

Liquid propane units are designed and certified for use, only with household liquid propane supply. Do not use "portable" propane tanks of less than 100-lbs. capacity. LP units can not be operated with 20-lb. propane tanks commonly used with portable, liquid propane gas grills.

TABLE OF CONTENTS

GENERAL INFORMATION	1
SHIPPING AND PACKING LIST	4
SAFETY INFORMATION	4
SPECIFICATIONS	4
INSTALLATION AND SET UP	5
OPERATION	8
MAINTENANCE	9
PARTS LIST	10
TROUBLE SHOOTING	11
WARRANTY	12

!!! WARNING !!!

Gas supply system must be installed in accordance with the U.S. National Fuel Gas Code.

This appliance and its individual shut off valve must be disconnected from the gas supply piping system during any system pressure test in excess of ½ PSI (3.5 KPA).

Use a system manual shut off valve to shut off the gas supply to the fire pit before continuing with installation procedures.

!!!IMPORTANT!!!

WHAT TO DO IF YOU SMELL GAS:

- < Shut off gas supply to the appliance.
- < Extinguish any open flames.
- < Immediately call your gas supplier.
Follow the gas supplier's instructions.
- < If you can not reach your gas supplier,
call the fire department.

GRACESTONE DECORATIVE GAS FIRE PIT MODELS



Classic Brick Square

Classic Brick Round



Contemporary Round

GRACESTONE DECORATIVE GAS FIRE PIT MODELS CONTINUED



Contemporary Square

Contemporary Compact



***GRACESTONE
BUILT TO LAST A
LIFETIME!***

SHIPPING AND PACKING LIST

Your Gracestone Decorative Gas Fire Pit by S.B.Grace comes to you “ PLUG AND PLAY “, completely assembled. All that is needed is a connection to the gas supply.

PACKAGE CONTAINS:

- 1- Decorative Gas Fire Pit
- 1- Gas Fire Pit Cover (optional on some models)
- 1- Fire Pit Manual Pack with warranty card

Two sizes of lava rock (not included on some models) are easily placed within the flame area to create flame dispersion.

SAFETY INFORMATION

- < THIS GAS APPLIANCE IS DESIGNED FOR OUTDOOR USE ONLY. IT IS NOT INTENDED FOR INSTALLATION IN ANY BUILDING, GARAGE, OR ENCLOSED STRUCTURE. IT IS NOT INTENDED FOR INSTALLATION IN OR ON RECREATIONAL VEHICLES OR BOATS.
- < **WARNING:** Follow all gas leak check procedures in this manual, prior to operation.
- < **WARNING:** Fuels used in gas or oil – fired appliances, and the products of combustion of such fuels, contain chemicals known to the State of California to cause cancer, birth defects, and/or other reproductive harm. This warning is issued pursuant to California Health & Safety Code Sec. 25249.6.
- < While this appliance is not in use, the gas must be turned off at the gas supply.
- < While this appliance is not in use, it should be covered to protect it from weather and other adverse elements.
- < DO NOT ATTEMPT TO DISCONNECT THE GAS OR ANY GAS FITTING WHILE THIS APPLIANCE IS IN OPERATION.
- < Inspect the gas connections of this appliance prior to each use. Do not operate the unit if there is a gas leak present.
- < **DO NOT** put anything flammable on or in the area beneath the fire pit.
- < **NEVER** leave the fire pit unattended while in operation.
- < **NEVER** allow children to operate this fire pit.
- < **NEVER** lean over the fire pit, or place hands or fingers on the front edge while in operation.

PROPER CLEARANCES FROM COMBUSTIBLE CONSTRUCTION AND MATERIALS MUST BE MAINTAINED FROM ALL SIDES, TOP, AND BOTTOM OF THIS APPLIANCE.

THIS APPLIANCE SHOULD NEVER BE PLACED ON ANY COMBUSTIBLE SURFACE.

THIS APPLIANCE SHOULD NEVER BE PLACED UNDER ANY COMBUSTIBLE CONSTRUCTION OR MATERIALS.

THIS APPLIANCE SHOULD NEVER BE PLACED CLOSER THAN FORTY-EIGHT (48) INCHES FROM ANY SIDE TO ANY COMBUSTIBLE CONSTRUCTION OR MATERIALS. (SEE FIGURE 1)

- < **NEVER** use liquid propane gas in a natural gas unit, or natural gas in a liquid propane unit. GAS CONVERSIONS SHOULD ONLY BE DONE BY A QUALIFIED SERVICE TECHNICIAN.
- < **DO NOT** use charcoal briquettes or lighter fluid in any gas fire pit.
- < Storage of this appliance indoors is permissible only if the gas is disconnected and removed from the appliance.

DECORATIVE GAS FIRE PIT SPECIFICATIONS

NATURAL GAS - RATED PRESSURE - 7.0" W.C.

MINIMUM GAS PRESSURE	MAXIMUM GAS PRESSURE	ORIFICE SIZE	BTU/HR INLET
7.0" W.C.	10.5" W.C.	#14	90000

LIQUID PROPANE - RATED PRESSURE – 11.0" W.C.

MINIMUM GAS PRESSURE	MAXIMUM GAS PRESSURE	ORIFICE SIZE	BTU/HR INLET
11.0" W.C.	13.0" W.C.	#35	90000

HIGH ALTITUDE DERATE

In the U.S.A., input BTU shall be derated 4% (1 orifice size) per 1000 ft. for altitudes above 2000 ft.. In Canada, input BTU shall be derated 10% (2 orifice sizes) at altitudes from 2000 ft. to 4500 ft..

INSTALLATION

Installation will be much easier if two (2) or more people co-operate in locating and installing the unit.

LOCATION

Your Gracestone Decorative Gas Fire Pit by S.B.Grace can be installed on any flat , stable surface, away from any combustible materials or construction. See " CLEAR-ANCES FOR COMBUSTIBLE CONSTRUCTION AND MATERIALS " on page 4. (SEE FIGURE 1)



FIGURE 1

SET-UP

Your GraceStone Decorative Gas Fire Pit by S.B.Grace comes assembled, ready for a Natural Gas connection. Liquid Propane units may be special ordered or Liquid Propane change kits, for use with household Liquid Propane supplies, are available from your dealer, or by calling the S.B.Grace Customer Service Center.

- 1- Remove fire pit from container box.
- 2- Place unit on any level, outdoor, non-combustible surface. NOTE: Do not place this appliance on grass or dirt area. This may prevent proper safety venting.
- 3- The burner assembly is shipped ready for gas connection with any one (1) of several methods: (Your method may vary)

HARD PIPING TO UNIT WITHOUT GAS PROXIMITY

- 1- TURN OFF THE GAS SUPPLY SYSTEM

NOTE: All gas connections (except for brass to brass) require the following:

Clean pipe threads using either a wire brush or steel wool. Apply Teflon tape or pipe dope to the steel fittings before making any connection.

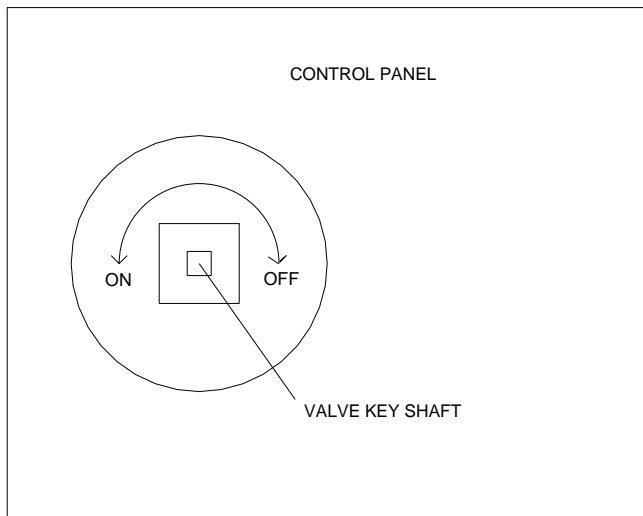
BE CAREFUL! Make sure all gas connections are snug, but do not over tighten!

- 2- Extend the gas supply system (using 1/2" black iron pipe) from current house supply. This may be accomplished by " teeing off " or tapping into a convenient gas line connection; installing the necessary pipe for the distance required; and then installing a manual valve at exterior house wall. If pipe is to pass through a foundation or house wall, make sure to re-seal the area around the pipe with weather sealant.
- 3- From manual valve, extend piping to the fire pit. NOTE: If pipe is to be placed in an underground trench, check with local codes for required depth and material construction.
- 4- Connect the 1/2" female x 3/8" male flare brass fitting (furnished with the fire pit) to the 1/2" steel pipe making sure to clean the pipe threads and use Teflon tape or pipe dope.
- 5- Connect the 1/2" female x 3/8" male flare brass fitting to the 3/8" female brass flare fitting, assembled on the end of the gas line, protruding through the hole on the base of the fire pit. NOTE: Brass to brass connections do not require Teflon tape or pipe dope.
- 6- Make sure the valve on the fire pit is turned off. The key should be turned fully, in the clockwise direction. (SEE FIGURE 2, CONTROL PANEL)

Make sure the valve at the wall of the house is turned off.
- 7- Turn on the main gas supply system.
- 8- CHECK FOR LEAKS! Apply soapy water to each connection and watch for bubbles. If bubbles are seen, turn off the main gas supply system, retighten the connections and CHECK AGAIN! DO NOT use a lighted match or other source of ignition to check for leaks. Repeat this procedure until you are sure that there are no leaks in the gas connections. When you are assured that no gas leaks are present:

**HARD PIPING TO UNIT WITHOUT GAS PROXIMITY
CONTINUED**

- 9- Turn on the gas supply valve at the wall of the house.
- 10- CHECK FOR LEAKS! Apply soapy water to each connection and watch for bubbles. If bubbles are seen, turn off the gas supply valve at the wall of the house, retighten the connections and CHECK AGAIN! DO NOT use a lighted match or other source of ignition to check for leaks. Repeat this procedure until you are sure that there are no leaks in the gas connections. When you are assured that no gas leaks are present:
- 11- GO TO THE FINAL SET - UP SECTION – PAGE 7.



**FIGURE 2
CONTROL PANEL**

FLEX PIPING TO UNIT WITH GAS PROXIMITY

- 1- TURN OFF THE GAS SUPPLY SYSTEM

NOTE: All gas connections (except for brass to brass) require the following:

Clean pipe threads using either a wire brush or steel wool. Apply Teflon tape or pipe dope to the steel fittings before making any connection.

BE CAREFUL! Make sure all gas connections are snug, but do not over tighten!
- 2- Remove the existing cap or gas jet assembly from the gas stub.
- 3- Install a manual valve. Some brass adaptor fittings (not included) may be required depending on your gas supply system.
- 4- From the manual valve, extend your required length of 1/2" flex piping with female flared ends (not included) to the fire pit. Connect the 1/2" female x 3/8" male flare brass fitting (furnished with the fire pit) to the flex line using a 1/2" male x 1/2" male flare brass fitting (not included).
- 5- Connect the 1/2" female x 3/8" male flare brass fitting to the 3/8" female brass flare fitting, assembled on the end of the gas line, protruding through the hole on the base of the fire pit.
NOTE: Brass to brass connections do not require Teflon tape or pipe dope.

OR
- 6- Remove the 1/2" female x 3/8" male flare brass fitting from the gas line, protruding through the base of the fire pit. Set it aside.
- 7- Connect a 1/2" male flare x 3/8" male flare brass fitting (not included) from the flex line to the 3/8" female flare brass fitting assembled on the end of the gas line, protruding through the hole on the base of the fire pit. NOTE: Brass to brass connections do not require Teflon tape or pipe dope.
- 8- Make sure the valve on the fire pit is turned off. The key should be turned fully in the clockwise direction.

Make sure the valve at the gas stub is turned off.
- 9- Turn on the main gas supply system.

**FLEX PIPING TO UNIT WITH GAS PROXIMITY
CONTINUED**

- 10- CHECK FOR LEAKS! Apply soapy water to each connection and watch for bubbles. If bubbles are seen, turn off the main gas supply system, retighten the connections and CHECK AGAIN! DO NOT use a lighted match or other source of ignition to check for leaks. Repeat this procedure until you are sure that there are no leaks in the gas connections. When you are assured that no gas leaks are present:
- 11- Turn on the gas supply valve at the gas stub.
- 12- CHECK FOR LEAKS! Apply soapy water to each connection and watch for bubbles. If bubbles are seen, turn off the gas supply valve at the wall of the house, retighten the connections and CHECK AGAIN! DO NOT use a lighted match or other source of ignition to check for leaks. Repeat this procedure until you are sure that there are no leaks in the gas connections. When you are assured that no gas leaks are present:
- 13- GO TO THE FINAL SET - UP SECTION – PAGE 7.

QUICK DISCONNECT GAS SUPPLY HOSES

Quick disconnect gas supply hose kits, for use with either natural gas or liquid propane are available through hardware retail stores. Once gas proximity has been established, these kits can be used in place of hard piping or flex lines. Quick disconnect kits can promote safety and climate flexibility in that, whenever the unit is not in use, it can be “quickly disconnected” from the gas supply and the fire pit, once the gas has been turned off. If you choose to use a quick disconnect gas supply hose kit, after you have established gas supply proximity, follow the instructions that come with the kit, then follow the safety instructions in the “installation proximity” sections of this manual.

FINAL SET-UP

Your GraceStone Decorative Gas Fire Pit by S.B.Grace was designed to operate with two (2) types of lava rock (not included with some models). (SEE FIGURE 3)

- 1- A small 1” to 2” size - you will need approximately 35 lbs. – to fill the burner basin from its base to above the burner.
- 2- A large 7” to 10” size - you will need approximately 4 to 6 pieces - placed on top of the smaller size lava rock to disperse the flame.

Being careful not to damage the burner pipe, place the smaller size lava rock into the burner basin, covering it and the burner tube completely.

Carefully place the larger sizes of lava rock on top of the lava bed you have just constructed. This arrangement is left to personal preference entirely. You may want to try different placements to achieve your desired flame pattern. WARNING: Allow lava rock to cool before handling or rearranging.

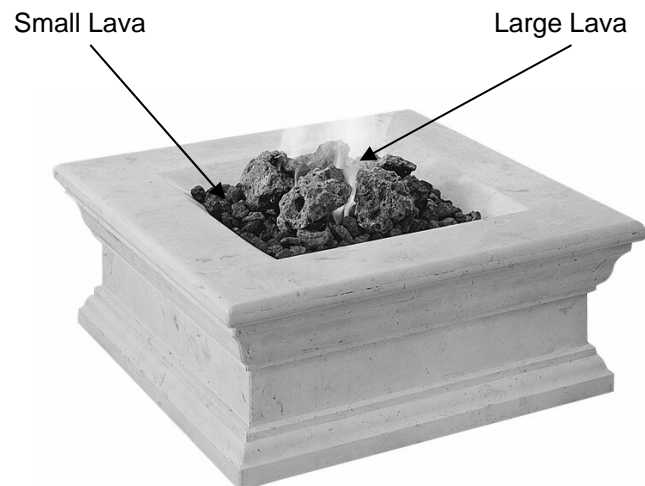


FIGURE 3

OPERATION

FOR YOUR SAFETY – READ BEFORE LIGHTING

!!! WARNING !!!

Do not use this appliance if any part has been under water. Immediately call a qualified service technician to inspect the fire pit and replace any part of the control system and any gas control that has been under water.

This appliance, is lit by match, or hand fire starter. Follow these instructions exactly when lighting the fire pit. BEFORE LIGHTING, smell around the appliance area for gas. Be sure to smell next to the ground as liquid propane gas is heavier than air and will settle to the ground.

Use only your hand to turn the gas control key (SEE FIGURE 4 & 5) on the valve. Never use tools. If the valve key will not turn by hand, do not try to repair it, call a qualified service technician. Force or attempted repair by an unqualified person may result in a fire or explosion.

NEVER LEAVE THE VALVE KEY IN THE VALVE WHEN THE APPLIANCE IS NOT IN USE!

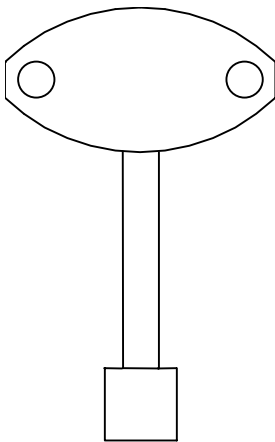


FIGURE 4
VALVE KEY

!!! WARNING !!!

All gas burning appliances produce smoke and carbon monoxide gas during operation. These fumes can be harmful if the appliance is used in any other than an open air, fully vented area.

- 1- **STOP!** Read the safety information at the beginning of this manual.
- 2- Insert the gas control key (SEE FIGURE 4 & 5) into the valve on the control panel (SEE FIGURE 2 & 5). Make sure the gas is off. The gas control key should be turned in a fully clockwise direction to the off position.
- 3- Turn on the main system gas supply.
- 4- Turn on the valve at the gas stub or house wall.
- 5- **If you smell gas, STOP!** Turn off the gas and recheck gas connections for leaks. Do not continue until gas leaks are corrected. If you do not smell gas, continue with the next step.
- 6- Place a match or hand fire starter near the bed of small lava rock nearest to the fire pit side with the control panel. Slowly turn on the gas by rotating the gas control key in a counter-clockwise direction. Gas should ignite within approximately 5 seconds.

NOTE: ON NEW OR RETRO-FIT CONSTRUCTION OF GAS SYSTEM, AIR IN THE PIPING WILL HAVE TO BE BLED BEFORE IGNITION CAN TAKE PLACE.

MAINTENANCE

Your GraceStone Decorative Gas Fire Pit should be thoroughly cleaned on a regular basis.

GENERAL CARE AND MAINTENANCE

STAIN REMOVAL

Your GraceStone Decorative Gas Fire Pit by S.B.Grace is constructed of a specially formulated, lightweight concrete (GFRC), that will give you many years of use. However, as with any porous stone product, concrete will stain. The Fire Pit has been treated at the factory with a special concrete sealer to make it stain resistant, however, we recommend that you regularly treat your pedestal with a stain resistant sealant. Sealers for concrete react differently in varying applications, so be sure to treat a small area before you treat the entire pedestal.

DO NOT allow food or liquid spills to accumulate on the on the Fire Pit. Wipe up any drippings or spills immediately. If the Fire Pit becomes stained, you may scrub it with normal strength household cleaners, or a mild solution of ammonia, vinegar, and water. Light sanding, with a very, light grade sandpaper may also be effective for especially tough stains.

WEATHER PROTECTION

While this appliance is not in use, it should be covered with a cover to protect it from weather and other adverse elements.

CHIPS AND SCRATCHING OF FIRE PIT BASE

Should your Fire Pit become chipped or scratched, patch kits are available for repair; contact the S.B.Gace Customer Service Center. Bear in mind, it is very difficult to precisely match colors, contours, and textures.

CARE OF FIRE PIT - METAL PARTS

When the Fire Pit is not is use, KEEP it CLEAN!
DO NOT allow food or liquid spills to accumulate.

GAS FIRE PIT EXPLODED VIEW

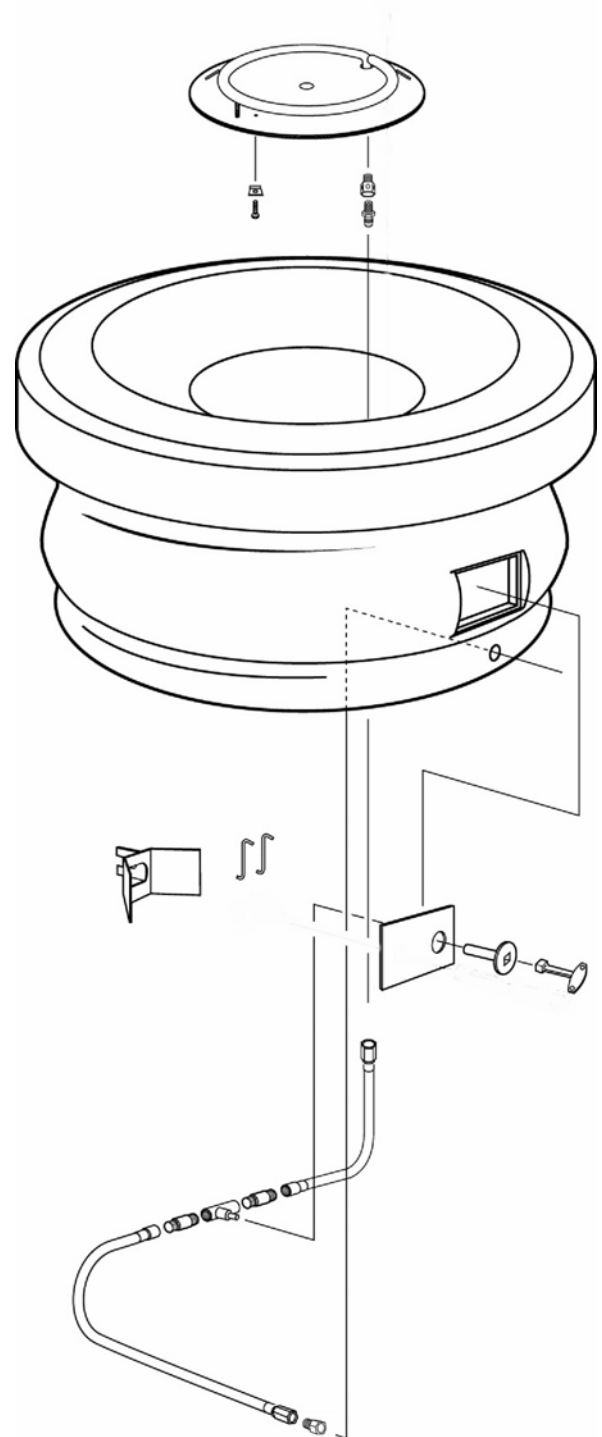


FIGURE 5

GRACESTONE GAS FIRE PIT PARTS LIST

ITEM	DESCRIPTION	QUANTITY
FPB-1614/A	FIRE PIT BURNER ASSEMBLY - 16 1/4" DIA WITH P-TRAP, MOUNTS & BURNER RING	1
FPBP-MC/112	FIRE PIT BURNER PLATE MOUNTING CLIP - 1 1/2 X 1 1/2	1
FPMB-1420/114	FIRE PIT MACHINE BOLT - 1/4 20 X 1 1/4" - 7/16" HEX HEAD	1
FPOM-N/A	FIRE PIT ORIFICE MOUNT - NATURAL GAS ASSEMBLY	1
48-38-38/T	3/8 M NPT X 3/8 M FLR TAPPED 1/2 20 BRASS ORIFICE MOUNT	1
OR-12/14	#14 ORIFICE BRASS	1
FPOM-P/A	FIRE PIT ORIFICE MOUNT - LIQUID PROPANE ASSEMBLY	1
48-38-38/T	3/8 M NPT X 3/8 M FLR NPT TAPPED 1/2 20 BRASS ORIFICE MOUNT	1
AM-104	LIQUID PROPANE AIR MIXER BACK DRILLED	1
OR-LP/35	#35 LIQUID PROPANE NEEDLE ORIFICE	1
FPCP-45	FIRE PIT CONTROL PANEL - 4" X 5"	1
FPCP-MB	FIRE PIT CONTROL PANEL - MOUNTING BRACKET	1
SV-12TK	SAFETY VALVE 1/2" T WITH KEY	1
48-38-12	1/2 M NPT X 3/8 M FLR X 7/8 HEX BRASS REDUCER	2
GLR-38F-22	GAS LINE RUBBER - 3/8 F FLR X 22 "	1
46-38-12	3/8 M FLR X 1/2 F FLR - BRASS FITTING	1
GL-38-17R	GAS LINE - 3/8 ALUMINUM TUBE X 3/8 F FLR X 17" - FOR ROUND FIRE PIT	1
GL-38-17S	GAS LINE - 3/8 ALUMINUM TUBE X 3/8 F FLR X 17" - FOR SQUARE FIRE PIT	1
GL-38-17R2	GAS LINE - 3/8 ALUMINUM TUBE X 3/8 F FLR X 17" - FOR EG ROUND FIRE PIT	1
FP-CR	FIRE PIT COVER - ROUND	1
FP-CS	FIRE PIT COVER - SQUARE	1
FP-SR	FIRE PIT COVER - SMALL ROUND	1
LAV-SM/A	LAVA ROCK - SMALL SIZES BY THE 8 LB BAG	4
LAV-LG/A	LAVA ROCK - LARGE SIZES BY THE BOX	1
IM-FP	INSTRUCTION MANUAL - FIRE PIT	1
CRFP-(COLOR)	CONTEMPORARY ROUND FIRE PIT- COLOR CODE	1
CSFP-(COLOR)	CONTEMPORARY SQUARE FIRE PIT- COLOR CODE	1
CBRFP-(COLOR)	CLASSIC BRICK ROUND FIRE PIT - COLOR CODE	1
CBRFP-(COLOR)	CLASSIC BRICK SQUARE FIRE PIT - COLOR CODE	1
CCFP-(COLOR)	CONTEMPORARY COMPACT FIRE PIT - COLOR CODE	1

FIRE PIT COLOR LEGEND

<u>CODE</u>	<u>COLOR</u>
G	GRAY
IW	IMPERIAL WHITE
MS	MOONSTONE
T	TERRACOTTA
W	WHITE

GRACESTONE GAS FIRE PIT TROUBLE SHOOTING

PROBLEM OBSERVED	POSSIBLE CAUSE	CORRECTIVE MEASURE
Gas odor during set up	Gas leak	See " What to do if you smell gas " page 1 Check all gas connections
Gas odor before first ignition	Gas leak	See " What to do if you smell gas " page 1 Check all gas connections
Delayed ignition	Low gas pressure Clogged or dirty burner ports Blocked orifice Faulty valve	Check gas supply pressure Clean burner ports - see manual section Check orifice opening Replace valve
Burner lights but does not stay lit	Low gas pressure Faulty valve Clogged or dirty burner ports Faulty Regulator Windy conditions	Check gas supply pressure Replace valve Clean burner ports - see manual section Replace regulator Shield from wind
Incorrect burner flame	Incorrect gas supply or pressure Incorrect primary air mix - LP only Blocked orifice Clogged or dirty burner ports Faulty valve Faulty Regulator High altitude	Check gas supply pressure Adjust air mixer - see manual section Check orifice opening Clean burner ports - see manual section Replace valve Replace regulator Adjust orifice size for altitude
Backfire of burner	Blocked orifice Clogged or dirty burner ports Incorrect primary air mix - LP only	Check orifice opening Clean burner ports - see manual section Adjust air mixer - see manual section

THE
GraceStone
COLLECTION
by S.B.Grace

LIMITED WARRANTY

S.B.Grace™ hereby warrants to the ORIGINAL PURCHASER of this GraceStone™ Decorative Gas Fire Pit, that it will be free from defects in material and workmanship from the date of purchase as follows:

Burner Assembly -	2 years
Valve -	1 year
All Remaining Parts -	5 years

When assembled and operated in accordance with the accompanying printed instructions.

S.B.Grace may require reasonable proof of your date of purchase. YOU SHOULD RETAIN YOUR SALES SLIP OR INVOICE AND RETURN THE WARRANTY REGISTRATION CARD WITHIN 10 DAYS OF PURCHASE.

This Limited Warranty shall be limited to the repair and/or replacement of parts that prove defective under normal use and service and which on examination shall indicate, to S.B.Grace's satisfaction, that they are defective. Before returning any parts, contact S.B.Grace Customer Service Center. If S.B.Grace confirms the defect and approves the claim, S.B.Grace will replace such parts without charge. If you are required to return defective parts, transportation charges must be prepaid. S.B.Grace will return parts to the purchaser, freight or postage prepaid.

This Limited Warranty does not cover any failures or operating difficulties due to accident, abuse, misuse, alteration, misapplication, vandalism, improper installation or improper maintenance or service, or failure to perform normal and routine maintenance, including but not limited to, damage caused by insects within the burner tubes, as set out in this owner's manual warranty section.

Deterioration or damage due to severe weather conditions such as hail, hurricanes, earthquakes, or tornadoes, discoloration due to exposure to chemicals either directly or in the atmosphere, is not covered by this Limited Warranty.

This warranty does not cover chips, cracks, or breakage caused from dropping, hitting or moving the cast stone portion of the fire pit.

The fire pit base is a stone material. The surface naturally contains spaces, surface cracks, and variations in color and texture. This warranty does not cover surface imperfections.

There are no other express warranties except as set forth herein and any applicable implied warranties of merchantability and fitness are limited in duration to the period of coverage of this express written Limited Warranty. Some states do not allow limitation on how long an implied warranty lasts, so this limitation may not apply to you.

S.B.Grace is not liable for any special, indirect or consequential damages. S.B.Grace's liability is limited to the purchase price of this Decorative Gas Fire Pit. Some states do not allow the exclusion or limitation of incidental or consequential damages, so this limitation or exclusion may not apply to you.

S.B.Grace does not authorize any person or company to assume for it any other obligation or liability in connection with the sale, installation, use, removal, return, or replacement of its equipment; and no such representations are binding on S.B.Grace Company.

This Warranty applies only to products sold at retail and manufactured by:

S.B.Grace™
3124 Scottsville Road
Lafayette, TN 37083

615/688-5002
615/688-5003 fax
E-mail: customerservice@sbgrace.com
Web Address: www.sbgrace.com