



### Introduction

Typical Sealant Placement Details .....W-ID-3

### Fin Installation Details–Clad Units

General Notes .....W-ID-4  
Casement with Siding.....W-ID-5  
Double-Hung with Siding .....W-ID-6  
Sliding Door with Siding .....W-ID-7  
Casement with Brick Veneer.....W-ID-8  
Double-Hung with Brick Veneer .....W-ID-9  
Hinged Door with Brick Veneer ..... W-ID-10  
Casement with Stucco ..... W-ID-11  
Casement with a Water-Managed Exterior Insulation and Finish System ..... W-ID-12

### Clip Installation Details–Clad Units

General Notes ..... W-ID-13  
Casement with Steel Studs and Brick Veneer ..... W-ID-14  
Casement with Concrete Block and Brick Veneer ..... W-ID-15  
Casement with Precast Concrete ..... W-ID-16  
Lifestyle Series Casement with Precast Concrete ..... W-ID-17

### Brickmould Installation Details–Wood Units

General Notes ..... W-ID-18  
Double-Hung with Siding ..... W-ID-19  
Hinged Door with Siding ..... W-ID-20  
Casement with Brick Veneer..... W-ID-21  
Double-Hung with Brick Veneer ..... W-ID-22  
Hinged Door with Brick Veneer ..... W-ID-23  
Casement with Stucco ..... W-ID-24

### Impact-Resistant Installation Details

Casement with Concrete Block and Stucco ..... W-ID-25



This section presents typical construction details for single units in new construction. It provides a comprehensive review of the extensive range of proprietary products that Pella Corporation provides as the single source for solutions to virtually any technical, construction or installation challenge. Additionally, typical installation details for Pella impact-resistant window and door units are presented.

**The objectives of installation systems are to:**

- Secure the attachment of the window to the wall
- Limit air and water infiltration
- Allow for expansion and contraction

**Important**

Determining and meeting the structural load requirements and design of the rough opening is the responsibility of the architect or engineer. Window frame systems are not designed to support additional elements or components of the building wall system.

**Fins and clips are the two basic methods of the Pella aluminum-clad window attachments.**

- **Fin Installation**—applicable when window units can be installed from the exterior prior to applying lap siding or other cladding material.
- **Clip Installation**—applicable where the construction materials or sequence dictates that window units be installed from the interior or after the wall system is completely constructed. This method of attachment is typical in projects with masonry veneer, such as brick or precast concrete.



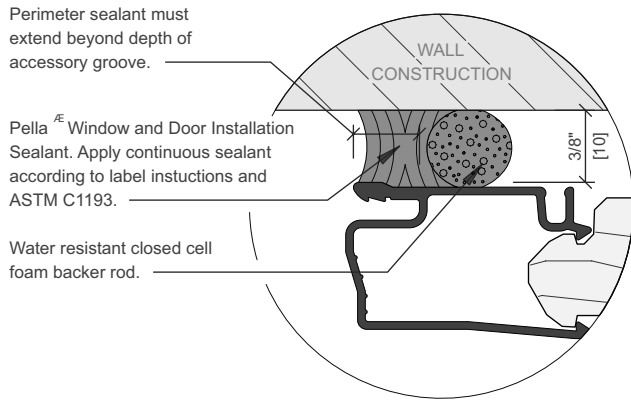
## Typical Sealant Placement Details

Proper application of perimeter sealant to prevent leakage around windows is the responsibility of the installer.

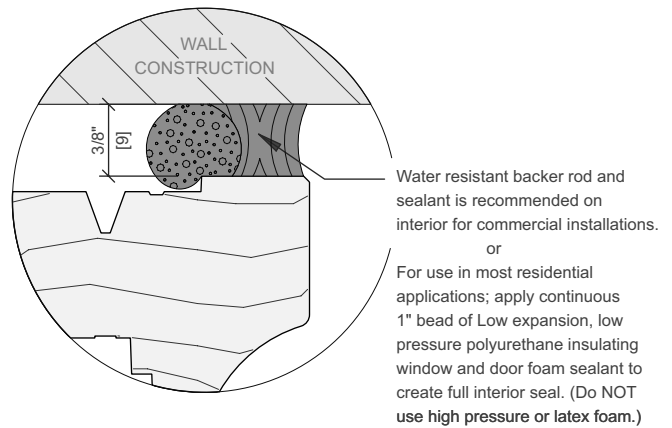
Use Pella Window and Door Installation Sealant or equivalent high quality, multi-purpose sealant. Typical sealant placement details are shown below. Apply sealants according to their label directions and ASTM C1193. Refer to the Installation Accessories section and the Combination Assemblies section for additional information.

**Special Note**—Some manufacturers of sealants recommend or require the use of primers to ensure adequate adhesion to painted porous surfaces.

### TYPICAL EXTERIOR PERIMETER SEALANT DETAIL

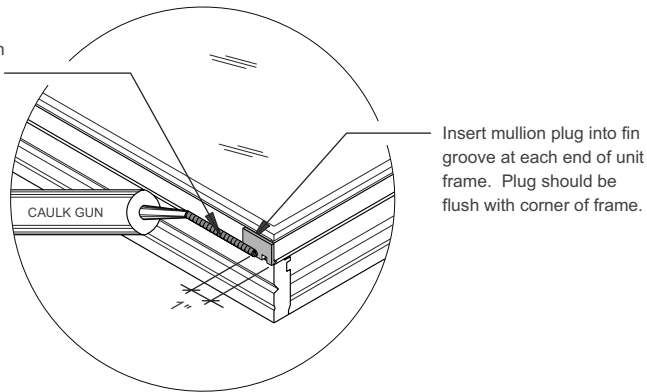


### TYPICAL INTERIOR PERIMETER SEALANT DETAIL

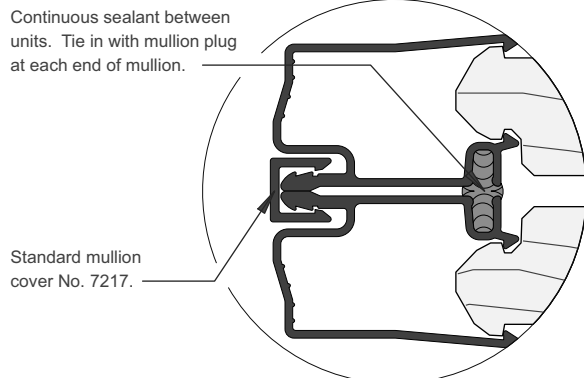


### STANDARD JOINING MULLION SEALANT & PLUG PLACEMENT

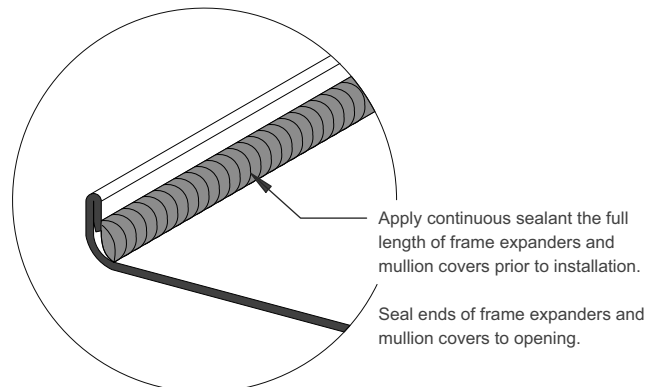
3/8" bead of polyurethane or silicone sealant beginning 1" from frame corner on mullion plug and continuing along fin groove to within 1" of opposite corner.



### STANDARD JOINING MULLION COVER DETAIL



### TYPICAL SEALANT PLACEMENT DETAIL AT FRAME EXPANDERS AND MULLION COVERS





### When to Use Fin Installation Method

This installation is best for construction methods that will permit the unit to be installed from the exterior prior to the lap siding or other similar material.

### Products Available for This Installation

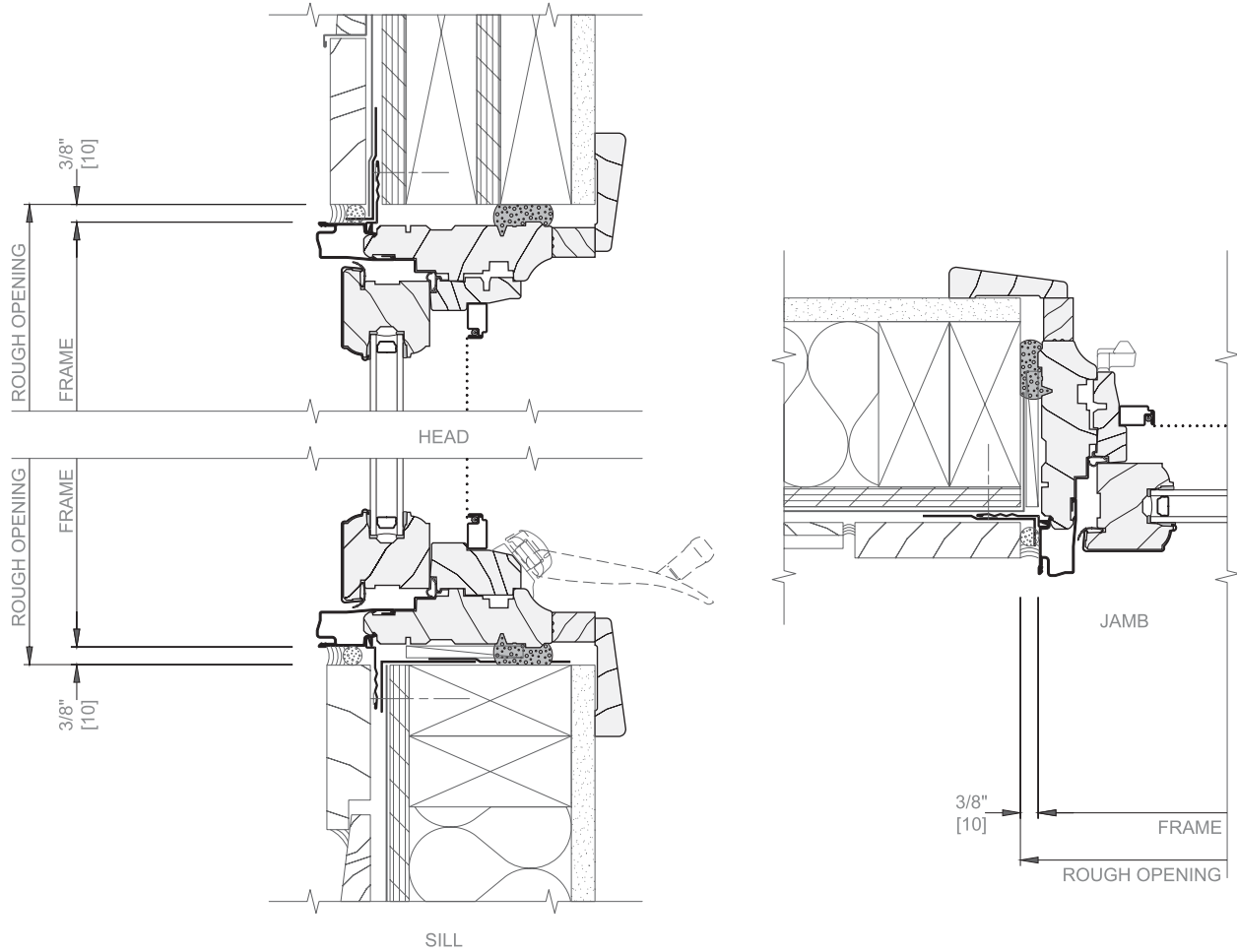
All Pella aluminum-clad windows and doors.

### Important Installation Procedures

- When rigid insulation or other compressible sheathing is used, provide solid blocking for fin attachment.
- Shim unit in the opening, plumb level and square.
- Provide a primary and secondary air and water seal around the perimeter of the unit.
- **Primary Seal**—Seal the unit to the exterior finish material.
- **Secondary Seal**—Apply Pella SmartFlash™ foil backed butyl window and door flashing tape (or equivalent) at rough opening sill and over installation fins at head and jambs in watershed order. See product installation instructions for detailed directions.
- **Interior Air Seal**—Apply around the perimeter of the unit by applying a 1" deep bead of Low expansion, low pressure polyurethane insulating window and door foam sealant - (DO NOT use high pressure or latex foams).
- Commercial and/or large complex combination assemblies may require additional installation design considerations and attachments. See the Combination Recommendations sections of this manual.
- See previous page for typical sealant placement details.

### Notes

- Details shown are not intended to reflect complete installation procedures, however they do reflect basic installation concepts. Refer to window and door installation instructions provided with the product for complete installation instructions.
- Details show various wall systems with different Pella products. Details with other Pella products in the same wall construction should be similar.
- Figures in parentheses following or adjacent to dimensions are International (metric) equivalents in millimeters. For metric equivalents other than those shown, multiply dimensions in inches by 25.4.
- Your local Pella sales representative can assist with other more complex and unique applications.



**WATER RESISTANT BARRIER BY OTHERS**

Continuous water-resistive barrier attached to the wall sheathing.

**FLASHING BY OTHERS**

Metal head flashing.

**SMARTFLASH® INSTALLATION TAPE**

Integrate the window and door flashing tape into the wall system.

SHIM AND PLUMB UNITS AS REQUIRED BY OTHERS.

**INSTALLATION FIN #42G7**

Attach unit to wall construction with nails or screws at each pre-punched hole in the installation fin.

**PELLA WINDOW AND DOOR INSTALLATION SEALANT AND WATER RESISTANT BACKER ROD.**

Apply continuous sealant according to label directions and ASTM C1193.

Scale 3" = 1' 0"

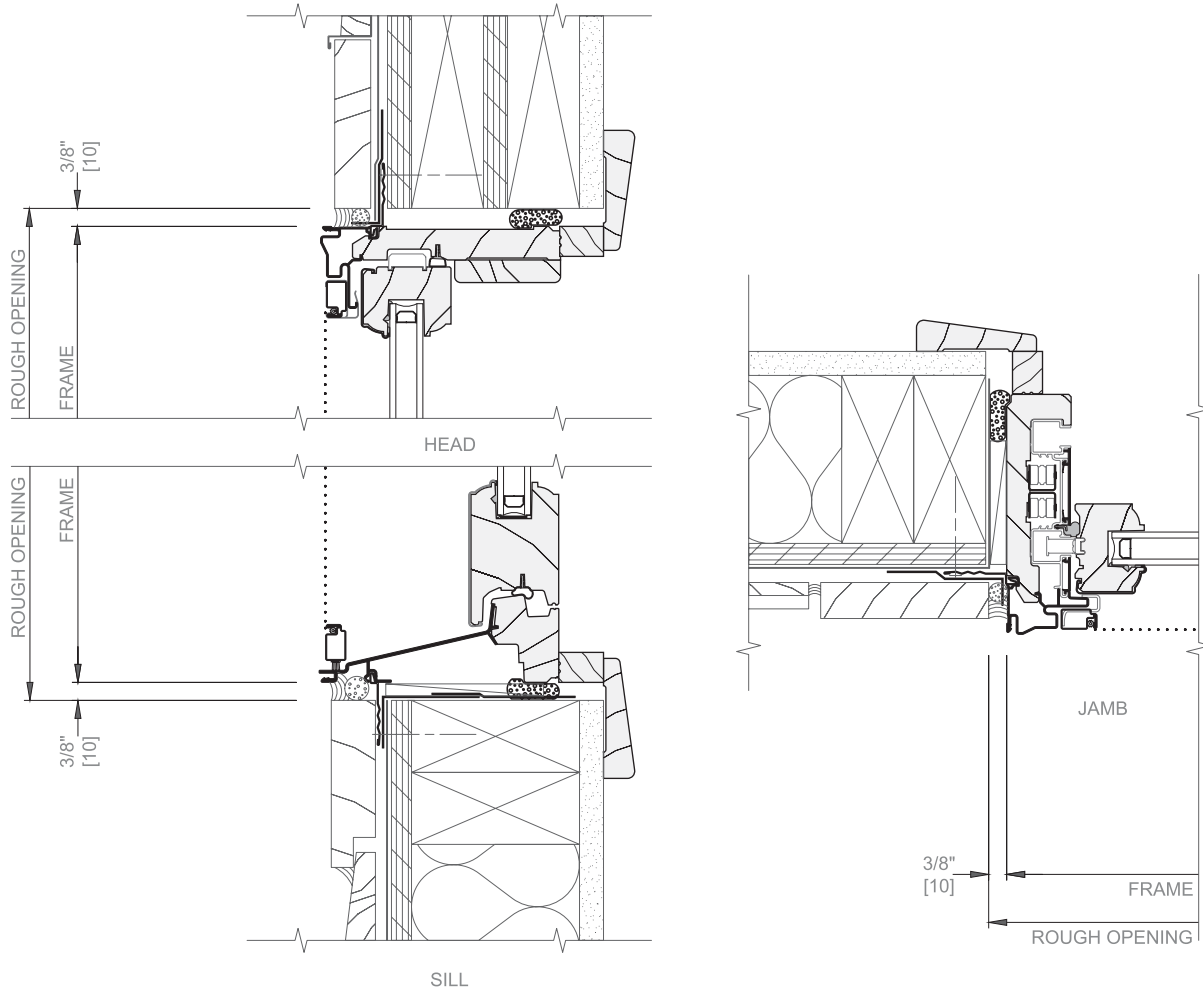
- Items in bold are available from Pella.
- These details are for typical single punch openings.
- Refer to the appropriate Pella® Installation Instruction for step-by-step instructions.

**LOW EXPANSION, LOW PRESSURE POLYURETHANE INSULATING WINDOW AND DOOR FOAM SEALANT - (DO NOT USE HIGH PRESSURE OR LATEX FOAMS).**

Apply a continuous 1" bead of insulating foam to provide a full interior seal.

**JAMB EXTENSION #283G (OPTIONAL)**

**PELLA 2-1/2" RANCH-1 TRIM (#30AY) (OPTIONAL)**



**WATER-RESISTANT BARRIER BY OTHERS**

Continuous water-resistive barrier attached to the wall sheathing.

**FLASHING BY OTHERS**

Metal head flashing.

**SMARTFLASH® INSTALLATION TAPE**

Integrate the window and door flashing tape into the wall system.

**SHIM AND PLUMB UNITS AS REQUIRED BY OTHERS.**

**INSTALLATION FIN #42G7**

Attach unit to wall construction with nails or screws at each pre-punched hole in the installation fin.

**PELLA WINDOW AND DOOR INSTALLATION SEALANT AND WATER RESISTANT BACKER ROD.**

Apply continuous sealant according to label directions and ASTM C1193.

**LOW EXPANSION, LOW PRESSURE POLYURETHANE INSULATING WINDOW AND DOOR FOAM SEALANT - (DO NOT USE HIGH PRESSURE OR LATEX FOAMS).**

Apply a continuous 1" bead of insulating foam to provide a full interior seal.

**JAMB EXTENSION #283G (OPTIONAL)**

**PELLA 2-1/2" RANCH-1 TRIM (#30AY) (OPTIONAL)**

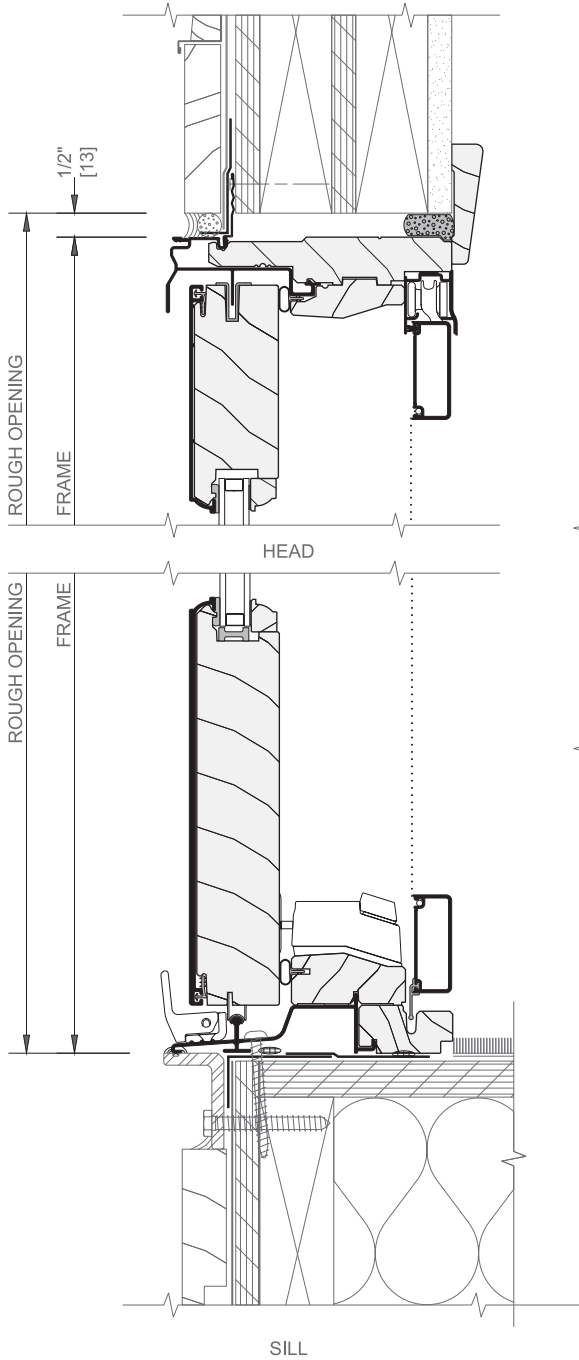
Scale 3" = 1' 0"

- Items in bold are available from Pella.
- These details are for typical single punch openings.
- Refer to the appropriate Pella® Installation Instruction for step-by-step instructions.



# Installation Details - Wood and Aluminum-Clad Wood Exterior

## Fin Installation - Sliding Door with Wood Trim / Siding



### WATER-RESISTANT BARRIER BY OTHERS

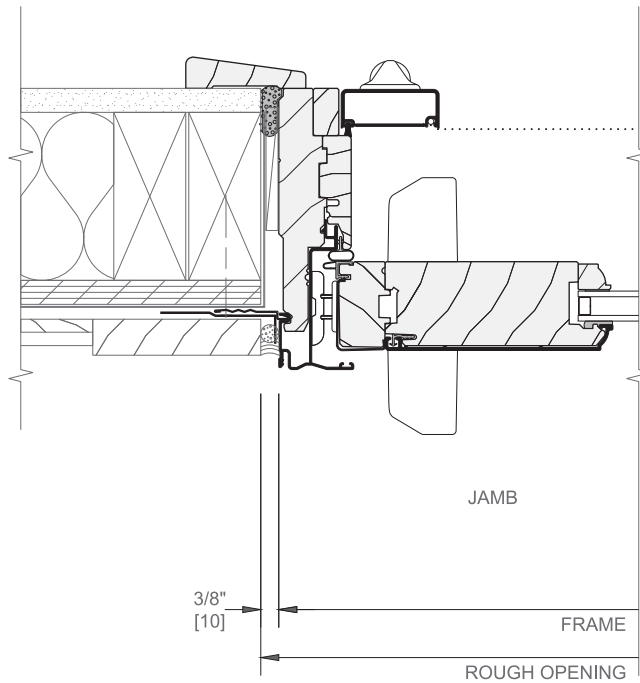
Continuous water-resistive barrier attached to the wall sheathing.

### FLASHING BY OTHERS

Metal head flashing.

### SMARTFLASH® INSTALLATION TAPE

Integrate the window and door flashing tape into the wall system.



### PELLA WINDOW AND DOOR INSTALLATION SEALANT AND WATER RESISTANT BACKER ROD.

Apply continuous sealant according to label directions and ASTM C1193.

### LOW EXPANSION, LOW PRESSURE POLYURETHANE INSULATING WINDOW AND DOOR FOAM SEALANT - (DO NOT USE HIGH PRESSURE OR LATEX FOAMS).

Apply a continuous 1" bead of insulating foam to provide a full interior seal.

### ALUMINUM SILL SUPPORT

OR

2" X 4" WOOD BLOCKING BY OTHERS

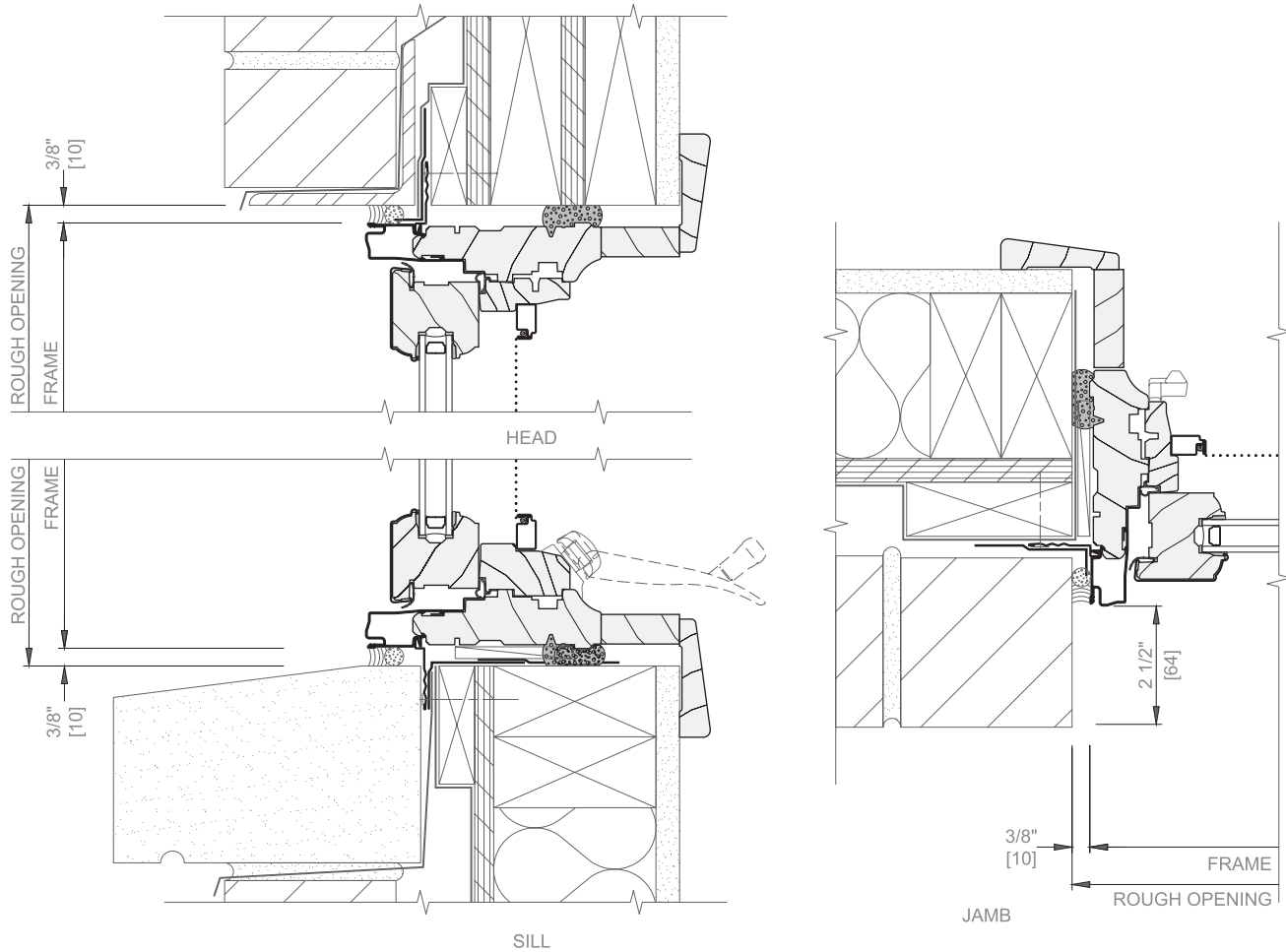
### PELLA 2-1/2" RANCH-1 TRIM (#30AY) (OPTIONAL)

Scale 3" = 1' 0"

- Items in bold are available from Pella.
- These details are for typical single punch openings.
- Refer to the appropriate Pella® Installation Instruction for step-by-step instructions.



Fin Installation - Casement with Brick Veneer



**WATER-RESISTANT BARRIER BY OTHERS**  
Continuous water-resistive barrier attached to the wall sheathing.

**JAMB EXTENSION #283G (OPTIONAL)**

**SMARTFLASH® INSTALLATION TAPE**  
Integrate the window and door flashing tape into the wall system.

**PELLA 2-1/2" RANCH-1 TRIM (#30AY) (OPTIONAL)**

**INSTALLATION FIN #42G7**  
Attach unit to wall construction with nails or screws at each pre-punched hole in the installation fin.

**PELLA WINDOW AND DOOR INSTALLATION SEALANT AND WATER RESISTANT BACKER ROD.**  
Apply continuous sealant according to label directions and ASTM C1193.

Scale 3" = 1' 0"

- Items in bold are available from Pella.
- These details are for typical single punch openings.
- Refer to the appropriate Pella® Installation Instruction for step-by-step instructions.

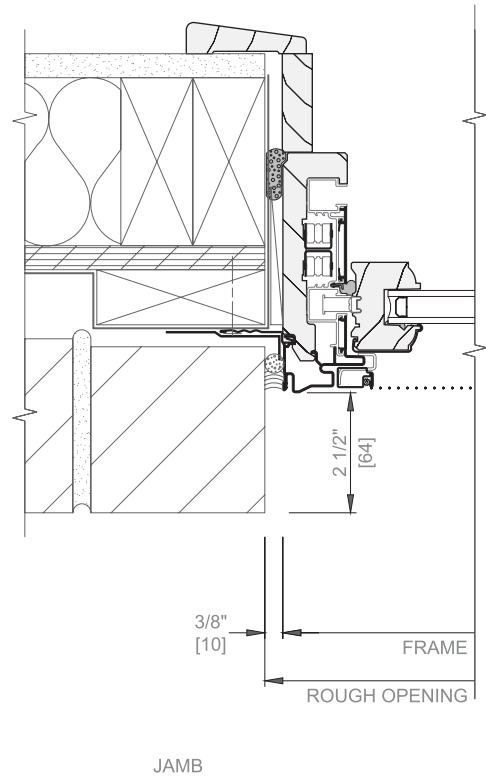
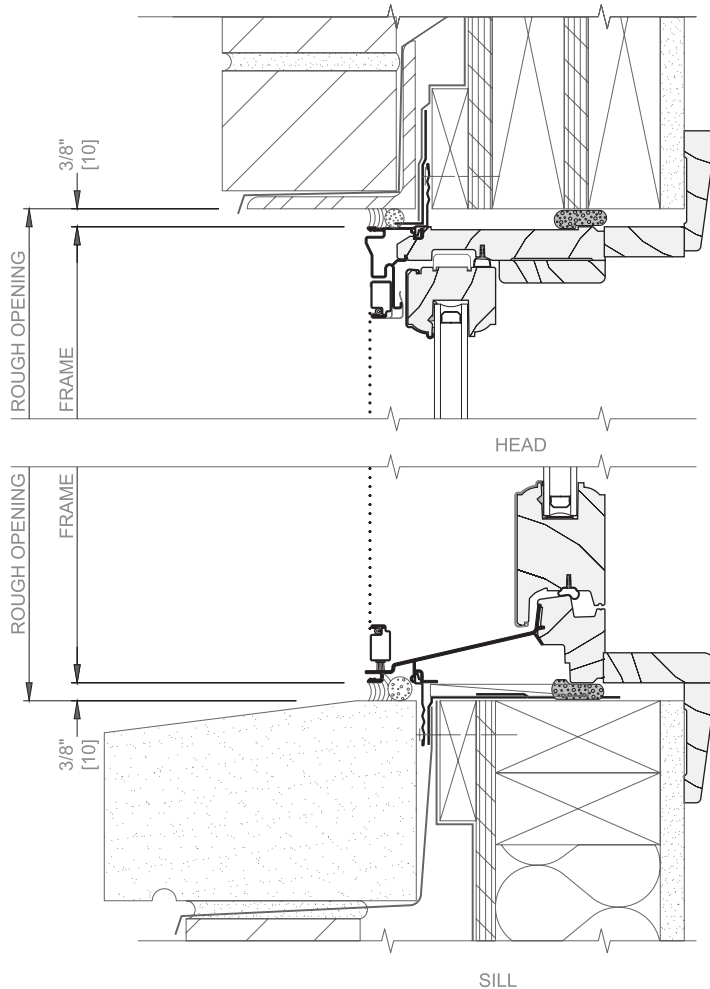
**LOW EXPANSION, LOW PRESSURE POLYURETHANE INSULATING WINDOW AND DOOR FOAM SEALANT - (DO NOT USE HIGH PRESSURE OR LATEX FOAMS).**

Apply a continuous 1" bead of insulating foam to provide a full interior seal.

**THROUGH-WALL CAVITY FLASHING WITH WEEPS AT HEAD AND SILL BY OTHERS.**

Brick return at jamb to close cavity and provide backing for backer rod and sealant. See page W-ID-10 for alternate detail.





**WATER-RESISTANT BARRIER BY OTHERS**  
 Continuous water-resistive barrier attached to the wall sheathing.

**JAMB EXTENSION #283G (OPTIONAL)**

**SMARTFLASH® INSTALLATION TAPE**  
 Integrate the window and door flashing tape into the wall system.

**PELLA 2-1/2" RANCH-1 TRIM (#30AY) (OPTIONAL)**

**INSTALLATION FIN #42G7**  
 Attach unit to wall construction with nails or screws at each pre-punched hole in the installation fin.

**PELLA WINDOW AND DOOR INSTALLATION SEALANT AND WATER RESISTANT BACKER ROD.**

Apply continuous sealant according to label directions and ASTM C1193.

**LOW EXPANSION, LOW PRESSURE POLYURETHANE INSULATING WINDOW AND DOOR FOAM SEALANT - (DO NOT USE HIGH PRESSURE OR LATEX FOAMS).**

Apply a continuous 1" bead of insulating foam to provide a full interior seal.

**THROUGH-WALL CAVITY FLASHING WITH WEEPS AT HEAD AND SILL BY OTHERS.**

Add blocking at jamb to close cavity and provide backing for backer rod and sealant.

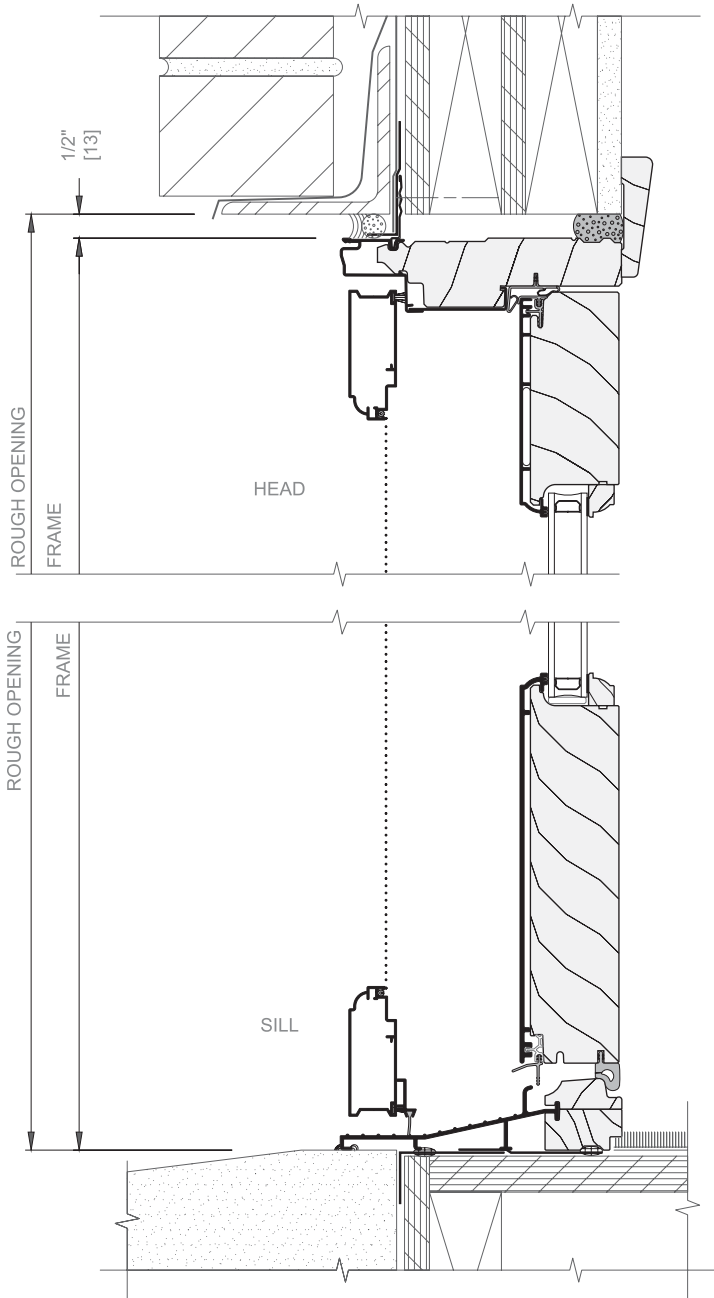
Scale 3" = 1' 0"

- Items in bold are available from Pella.
- These details are for typical single punch openings.
- Refer to the appropriate Pella® Installation Instruction for step-by-step instructions.



# Installation Details - Wood and Aluminum-Clad Wood Exterior

## Fin Installation - Hinged Door with Brick Veneer



### WATER-RESISTANT BARRIER BY OTHERS

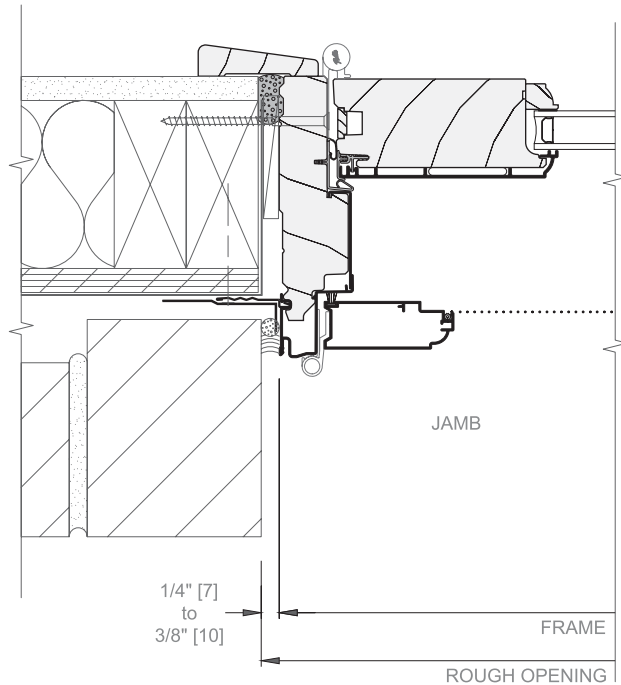
Continuous water-resistive barrier attached to the wall sheathing.

### SMARTFLASH® INSTALLATION TAPE

Integrate the window and door flashing tape into the wall system.

### INSTALLATION FIN #42G7

Attach unit to wall construction with nails or screws at each pre-punched hole in the installation fin.



### PELLA WINDOW AND DOOR INSTALLATION SEALANT AND WATER RESISTANT BACKER ROD.

Apply continuous sealant according to label directions and ASTM C1193.

### LOW EXPANSION, LOW PRESSURE POLYURETHANE INSULATING WINDOW AND DOOR FOAM SEALANT - (DO NOT USE HIGH PRESSURE OR LATEX FOAMS).

Apply a continuous 1" bead of insulating foam to provide a full interior seal.

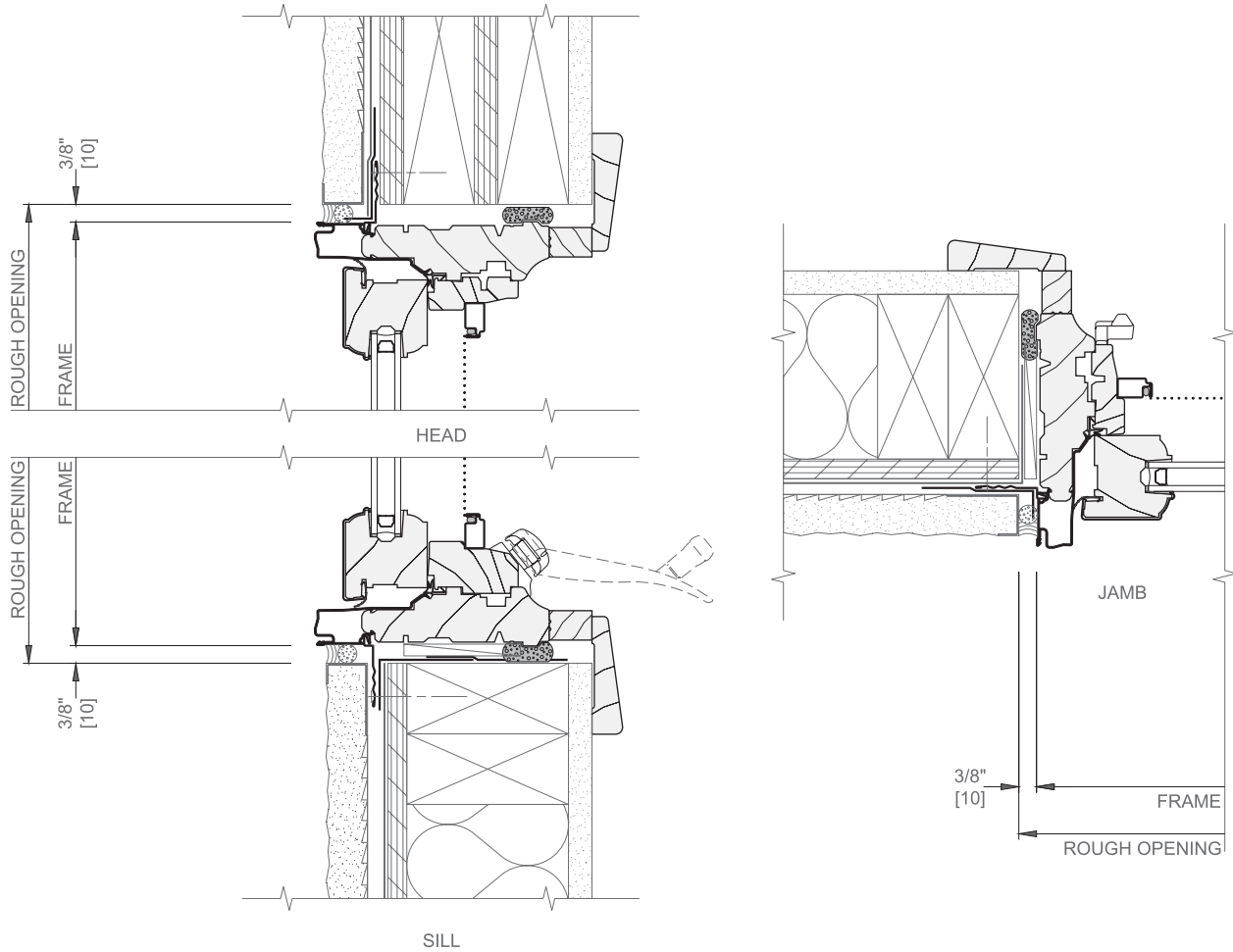
### PELLA 2-1/2" RANCH-1 TRIM (#30AY) (OPTIONAL)

### THROUGH-WALL CAVITY FLASHING WITH WEEPS AT HEAD AND SILL BY OTHERS.

Brick return at jamb to close cavity and provide backing for backer rod and sealant. See page W-ID-10 for alternate detail.

Scale 3" = 1' 0"

- Items in bold are available from Pella.
- These details are for typical single punch openings.
- Refer to the appropriate Pella® Installation Instruction for step-by-step instructions.



**WATER-RESISTANT BARRIER BY OTHERS**

Continuous water-resistive barrier attached to the wall sheathing.

**SMARTFLASH® INSTALLATION TAPE**

Integrate the window and door flashing tape into the wall system.

**INSTALLATION FIN #42G7**

Attach unit to wall construction with nails or screws at each pre-punched hole in the installation fin.

**STUCCO J-MOLD BY OTHERS**

**PELLA WINDOW AND DOOR INSTALLATION SEALANT AND WATER RESISTANT BACKER ROD.**

Apply continuous sealant according to label directions and ASTM C1193.

**LOW EXPANSION, LOW PRESSURE POLYURETHANE INSULATING WINDOW AND DOOR FOAM SEALANT - (DO NOT USE HIGH PRESSURE OR LATEX FOAMS).**

Apply a continuous 1" bead of insulating foam to provide a full interior seal.

**JAMB EXTENSION #283G (OPTIONAL)**

**PELLA 2-1/2" RANCH-1 TRIM (#30AY) (OPTIONAL)**

NOTE: THESE DETAILS REFLECT GENERAL INSTALLATION CONCEPTS FOR TYPICAL CONSTRUCTION WITH WATER-MANAGED STUCCO PRODUCTS. DUE TO THE NUMBER OF DIFFERENT SYSTEMS AVAILABLE, NO ATTEMPT HAS BEEN MADE TO SHOW SPECIFIC FLASHING OR DRAINAGE DETAILS. CONSULT THE STUCCO MANUFACTURER FOR SPECIFIC DETAILING REQUIRED FOR THEIR WATER-MANAGED SYSTEM.

Scale 3" = 1' 0"

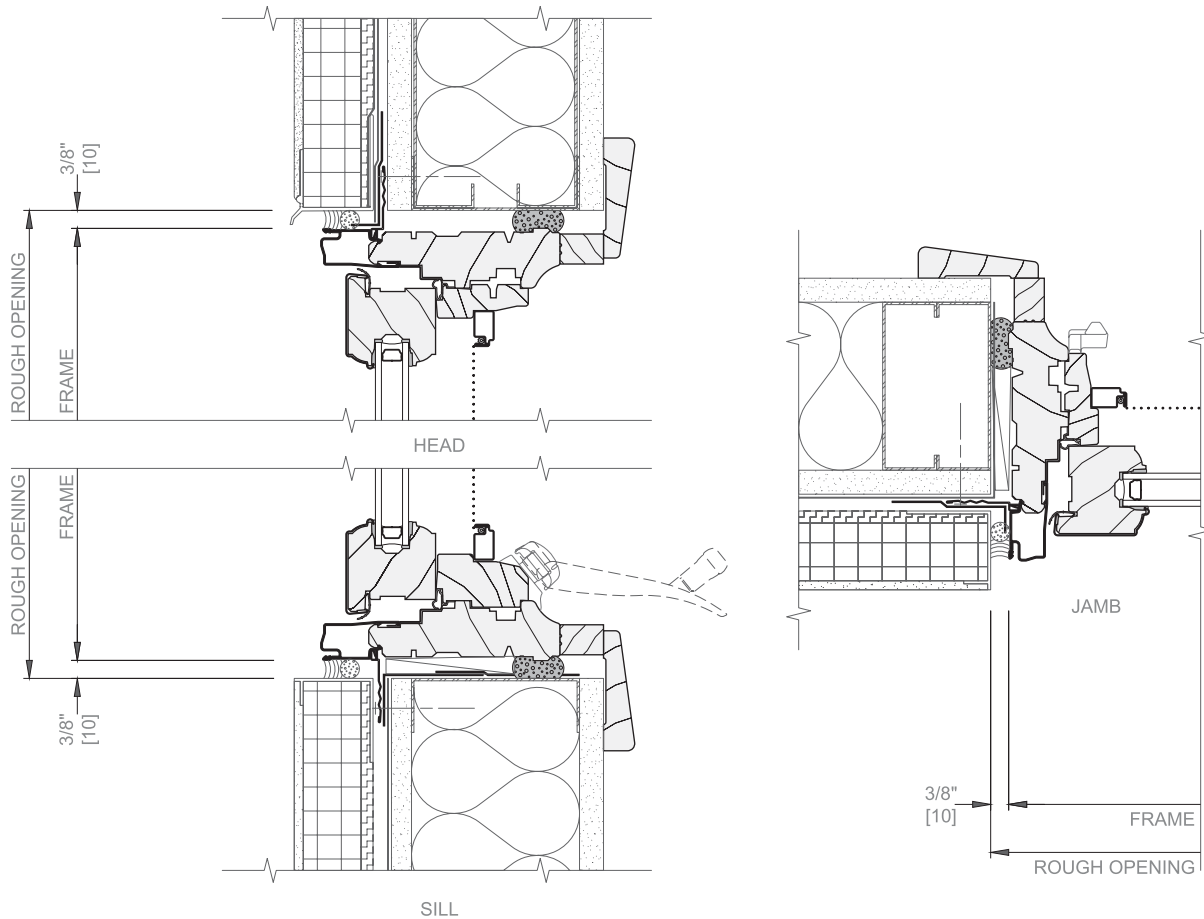
- Items in bold are available from Pella.
- These details are for typical single punch openings.
- Refer to the appropriate Pella® Installation Instruction for step-by-step instructions.



# Installation Details - Wood and Aluminum-Clad Wood Exterior

## Fin Installation - Casement with Water-Managed EIFS

**IMPORTANT NOTE:** These details reflect general installation concepts for typical construction with water-managed EIFS systems only. Consult EIFS manufacturer for specific detailing required for their water-managed system. Moisture problems, including unacceptable water infiltration, have been associated with barrier wall systems, such as EIFS (also known as synthetic stucco). Pella® products should not be used in barrier (non-water managed) EIFS systems unless Pella's current, recommended installation procedures for installation of windows and doors into EIFS are used. Any other use of Pella products with barrier EIFS systems will void the Limited Warranty. Contact your local Pella representative for consideration with non-water managed EIFS systems. See Section C for additional information on barrier EIFS and other non-water managed wall systems.



### WATER-RESISTANT BARRIER BY OTHERS

Continuous water-resistive barrier attached to the wall sheathing.

### SMARTFLASH® INSTALLATION TAPE

Integrate the window and door flashing tape into the wall system.

### INSTALLATION FIN #42G7

Attach unit to wall construction with nails or screws at each pre-punched hole in the installation fin.

### EIFS J-MOLD BY OTHERS

### FLASHING BY OTHERS

Metal head drip or sill flashing.

### PELLA WINDOW AND DOOR INSTALLATION SEALANT AND WATER RESISTANT BACKER ROD.

Apply continuous sealant according to label directions and ASTM C1193.

### LOW EXPANSION, LOW PRESSURE POLYURETHANE INSULATING WINDOW AND DOOR FOAM SEALANT - (DO NOT USE HIGH PRESSURE OR LATEX FOAMS).

Apply a continuous 1" bead of insulating foam to provide a full interior seal.

### JAMB EXTENSION #283G (OPTIONAL)

### PELLA 2-1/2" RANCH-1 TRIM (#30AY) (OPTIONAL)

Scale 3" = 1' 0"

- Items in bold are available from Pella.
- These details are for typical single punch openings.
- Refer to the appropriate Pella® Installation Instruction for step-by-step instructions.



### When to Use Clip Installation Method

- When there is no place to fold out a fin for nailing.
- In applications where construction sequence dictates units be installed from the interior, or after the wall system is completely constructed.
- When direct mulled window combination assemblies are greater than 10' wide or tall.

### Products Available for This Installation

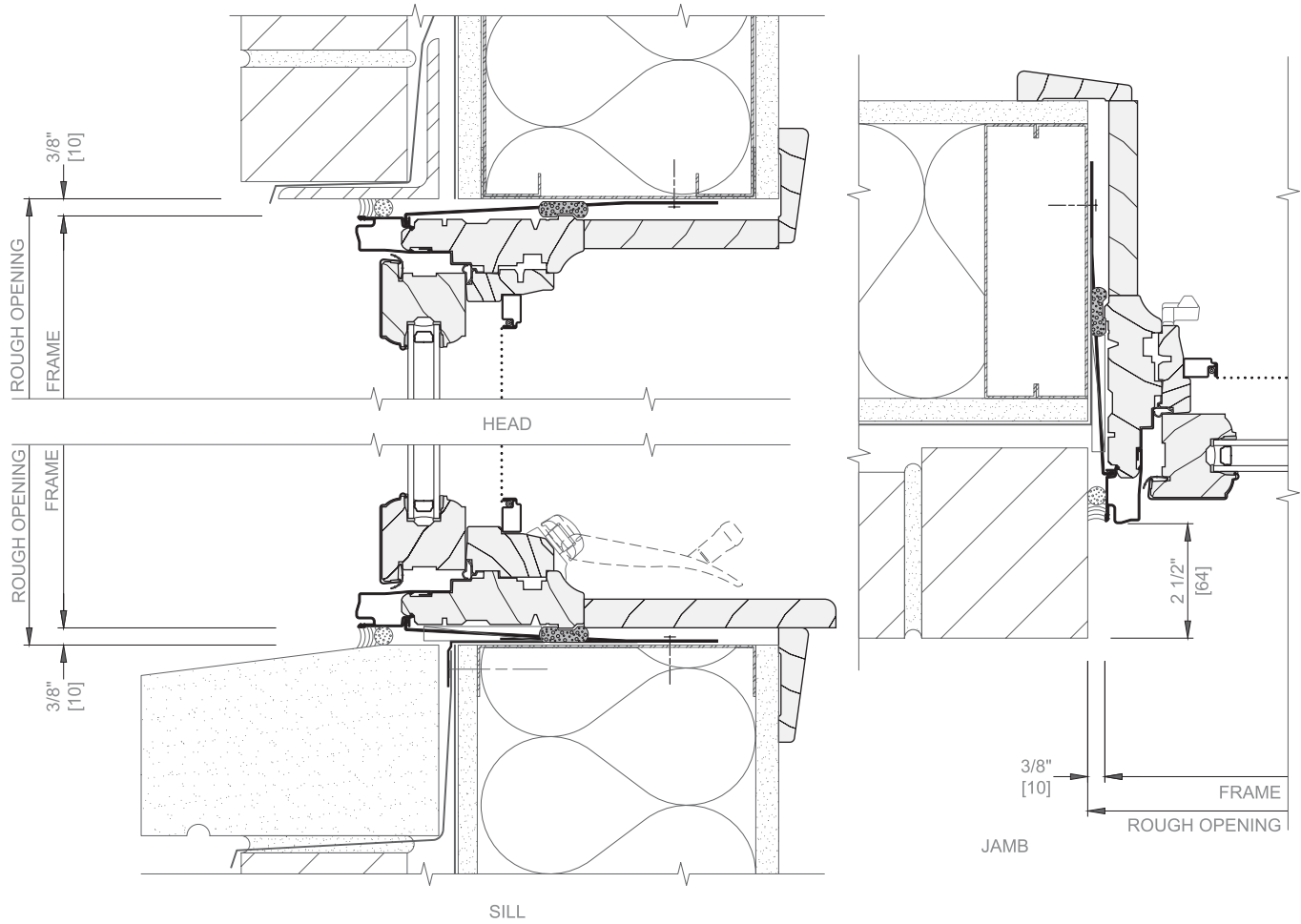
All Pella aluminum-clad windows and doors.

### Important Installation Procedures

- Shim unit in the opening plumb, level and square.
- Provide a primary and secondary air and water seal around the perimeter of the unit.
- **Primary Seal**—Seal the unit to the exterior finish material.
- **Secondary Seal**—Provide an interior seal around the perimeter of the unit by applying a 1" deep bead of Low expansion, low pressure polyurethane insulating window and door foam sealant - (DO NOT use high pressure or latex foams).
- Clips must be attached to wall framing with anchors adequate for design pressure specified. Wall framing around window opening must also be adequate to withstand wind loads transferred from window combination assembly.
- Suggested unit setback is intended as good construction practice to protect window products from water cascading down building facade. Setback must also take into consideration adequate sealant adhesion to the brick veneer.
- See the Installation Accessories section for anchor clip spacing.
- Commercial and/or large complex combination assemblies may require additional installation design considerations and attachments. See the Combination Recommendations section.
- See page F-4 for typical sealant placement details.

### NOTES

- Details shown are not intended to reflect complete installation procedures, but do reflect basic installation concepts.
- Details show various wall systems with different Pella products. Details with other Pella products in the same wall construction should be similar.
- See your local Pella sales representative for clip installation instructions.



**WATER-RESISTANT BARRIER BY OTHERS.**

Continuous water-resistive barrier attached to the wall sheathing.

**THROUGH-WALL CAVITY FLASHING WITH WEEPS AT HEAD AND SILL BY OTHERS.**

**SMARTFLASH® INSTALLATION TAPE**

Integrate the window and door flashing tape into the wall system.

SHIM AND PLUMB UNITS AS REQUIRED BY OTHERS.

**INSTALLATION CLIPS #5071**

Place into fin groove and anchor to wall construction. Ensure that the interior bead of insulating foam continues around clips.

**PELLA WINDOW AND DOOR INSTALLATION SEALANT AND WATER RESISTANT BACKER ROD.**

Apply continuous sealant according to label directions and ASTM C1193.

**PELLA 2-1/2" RANCH-1 TRIM (#30AY) (OPTIONAL)**

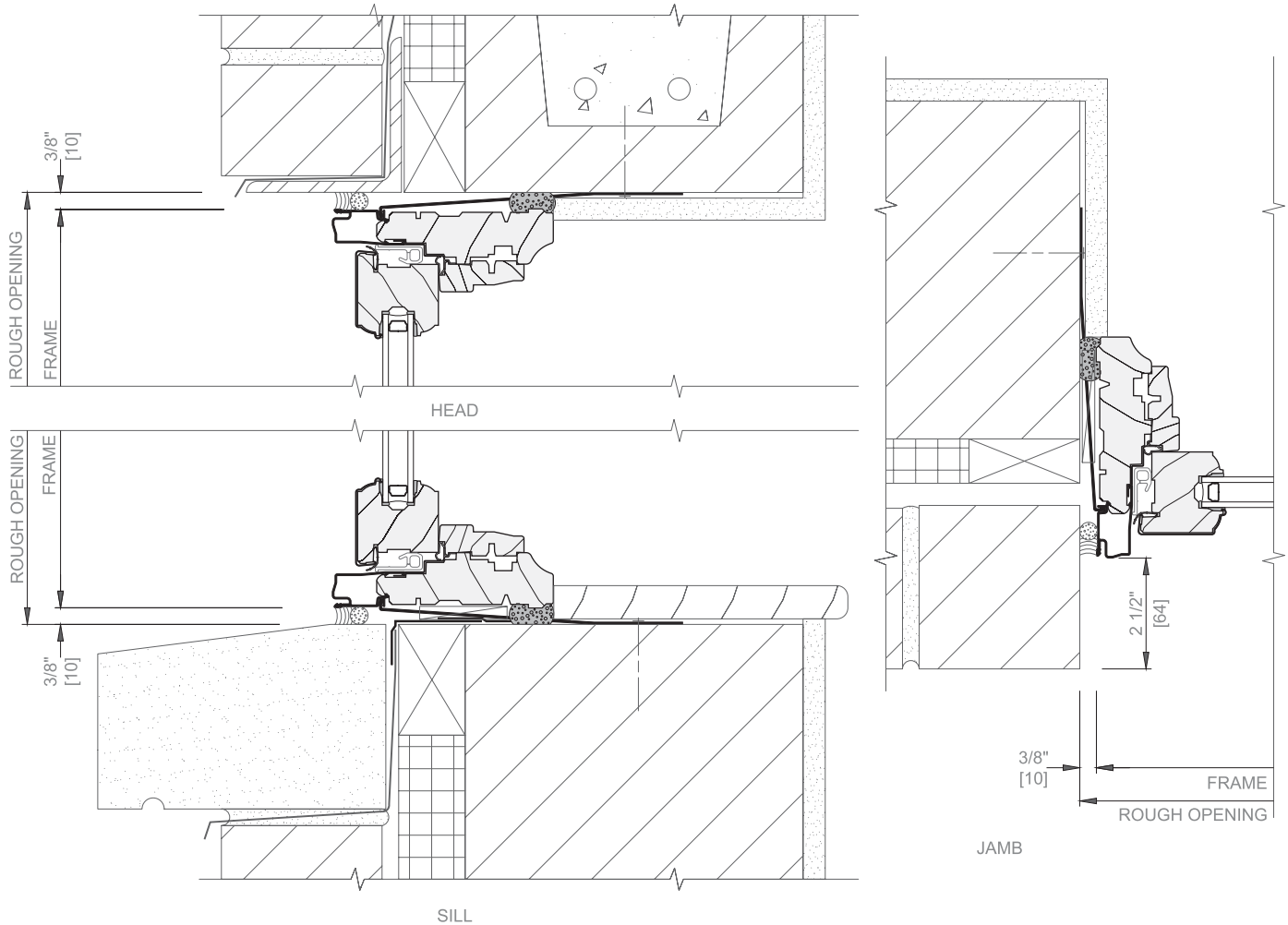
**LOW EXPANSION, LOW PRESSURE POLYURETHANE INSULATING WINDOW AND DOOR FOAM SEALANT - (DO NOT USE HIGH PRESSURE OR LATEX FOAMS)**

Apply a continuous 1" bead of insulating foam to provide a full interior seal.

Add blocking at jamb to close cavity and provide backing for backer rod and sealant. See page F-9 for alternate detail. Seal wall cavity around head and jamb of window's rough opening.

Scale 3" = 1' 0"

- Items in bold are available from Pella.
- These details are for typical single punch openings.
- Refer to the appropriate Pella® Installation Instruction for step-by-step instructions.



**WATER-RESISTANT BARRIER BY OTHERS.**  
 Continuous water-resistive barrier attached to the wall sheathing.

**THROUGH-WALL CAVITY FLASHING WITH WEEPS AT HEAD AND SILL BY OTHERS.**

**SMARTFLASH® INSTALLATION TAPE**  
 Integrate the window and door flashing tape into the wall system.

**SHIM AND PLUMB UNITS AS REQUIRED BY OTHERS.**

**INSTALLATION CLIPS #5071**  
 Place into fin groove and anchor to wall construction. Ensure that the interior foam sealant continues around clips.

**PELLA WINDOW AND DOOR INSTALLATION SEALANT AND WATER RESISTANT BACKER ROD.**

Apply continuous sealant according to label directions and ASTM C1193.

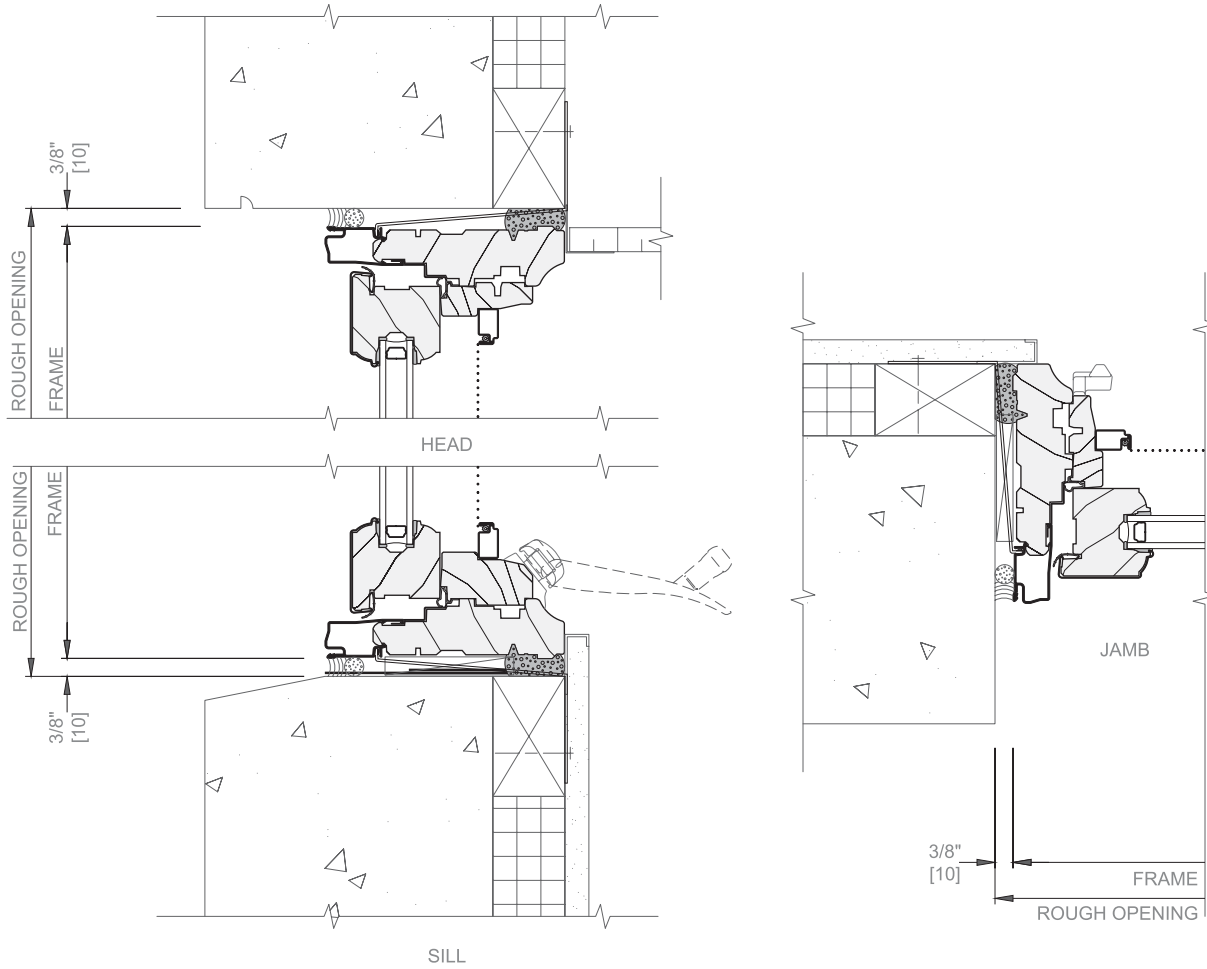
**LOW EXPANSION, LOW PRESSURE POLYURETHANE INSULATING WINDOW AND DOOR FOAM SEALANT - (DO NOT USE HIGH PRESSURE OR LATEX FOAMS)**

Apply a continuous 1" bead of insulating foam to provide a full interior seal.

Add blocking at jamb to close cavity and provide backing for backer rod and sealant. See page F-9 for alternate detail. Seal wall cavity around perimeter of window's rough opening.

Scale 3" = 1' 0"

- Items in bold are available from Pella.
- These details are for typical single punch openings.
- Refer to the appropriate Pella® Installation Instruction for step-by-step instructions.



SHIM AND PLUMB UNITS AS REQUIRED BY OTHERS.

**INSTALLATION CLIPS #5071**

PELLA WINDOW AND DOOR INSTALLATION SEALANT AND WATER RESISTANT BACKER ROD.

Apply continuous sealant according to label directions and ASTM C1193.

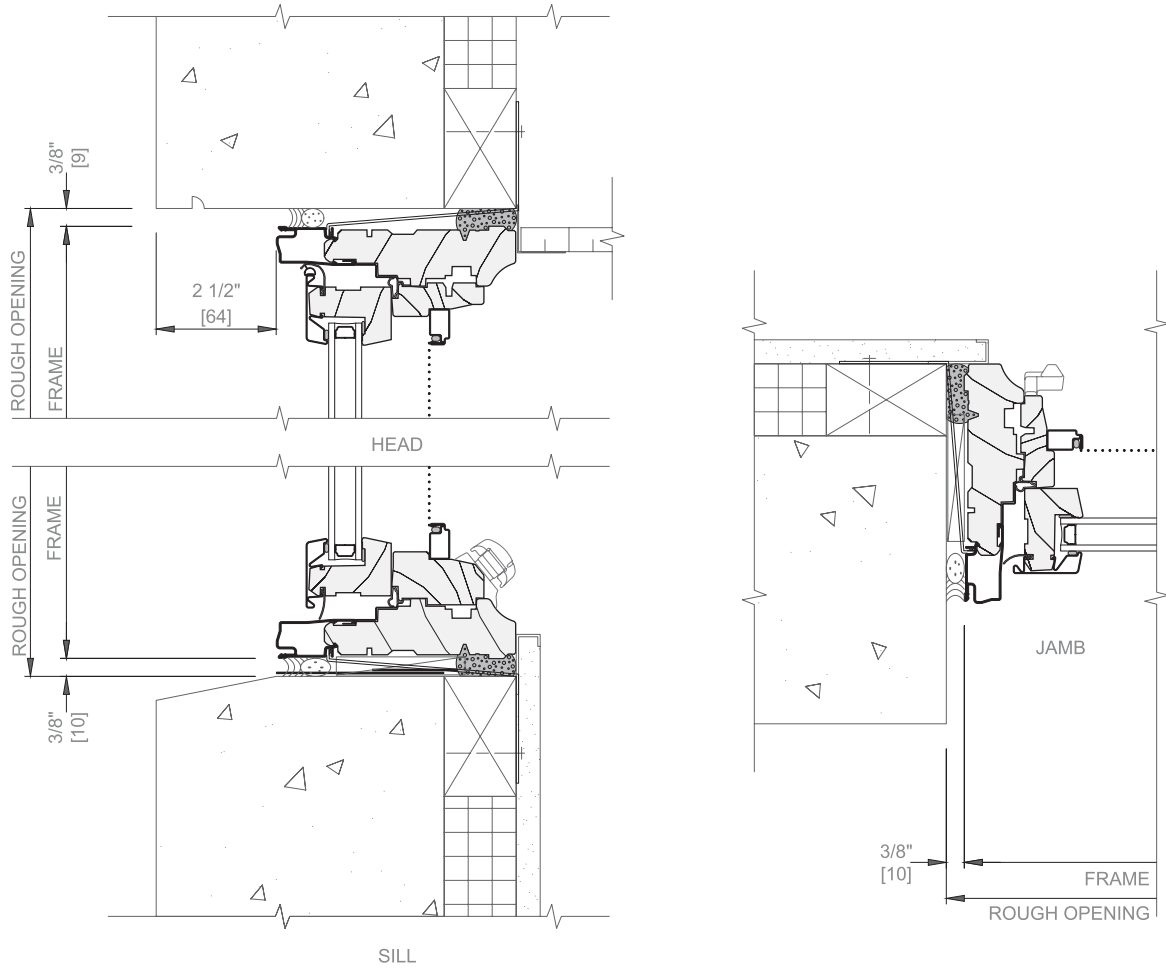
**LOW EXPANSION, LOW PRESSURE POLYURETHANE INSULATING WINDOW AND DOOR FOAM SEALANT - (DO NOT USE HIGH PRESSURE OR LATEX FOAMS)**

Apply a continuous 1" bead of insulating foam to provide a full interior seal.

Scale 3" = 1' 0"

- Items in bold are available from Pella.
- These details are for typical single punch openings.
- Refer to the appropriate Pella® Installation Instruction for step-by-step instructions.





SHIM AND PLUMB UNITS AS REQUIRED BY OTHERS.

**INSTALLATION CLIPS #5071**

PELLA WINDOW AND DOOR INSTALLATION SEALANT AND WATER RESISTANT BACKER ROD.

Apply continuous sealant according to label directions and ASTM C1193.

**LOW EXPANSION, LOW PRESSURE POLYURETHANE INSULATING WINDOW AND DOOR FOAM SEALANT - (DO NOT USE HIGH PRESSURE OR LATEX FOAMS)**

Apply a continuous 1" bead of insulating foam to provide a full interior seal.

Scale 3" = 1' 0"

- Items in bold are available from Pella.
- These details are for typical single punch openings.
- Refer to the appropriate Pella® Installation Instruction for step-by-step instructions.



### When to Use Wood Brickmould Installation Method

- This installation is best for construction methods that will permit the unit to be installed prior to the exterior finish, i.e., lap siding or other similar material.
- Brickmould is typically attached to window or door frame prior to installation.

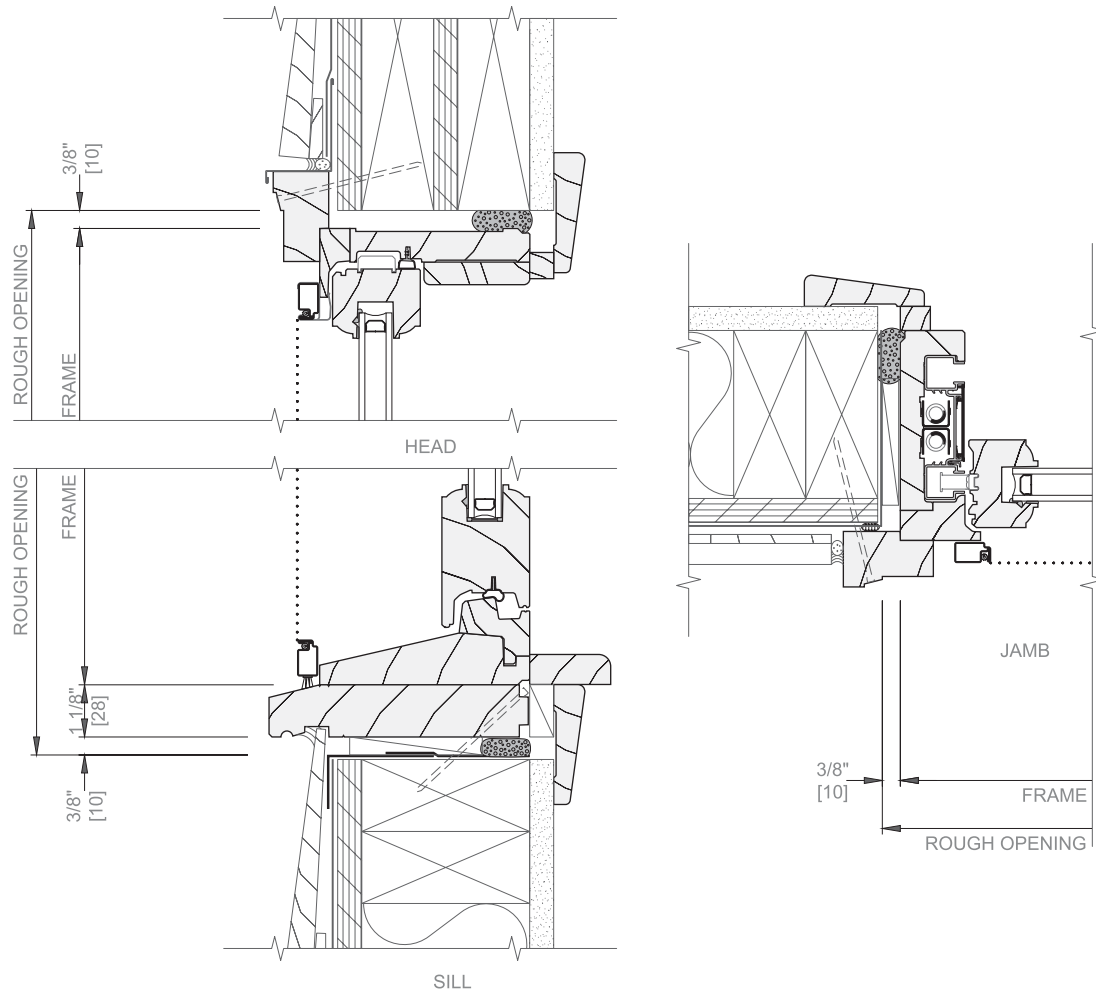
### Products Available for This Installation

All Architect Series® wood units.

### Important Installation Procedures

- When rigid insulation or other compressible sheathing is used, provide solid blocking for brickmould attachment.
- Shim unit in the opening plumb, level and square.
- Provide a primary and secondary air and water seal around the perimeter of the unit.
- **Primary Seal**—Seal at the brickmould edge to the exterior finish material.
- **Secondary Seal**—Provide a continuous bead of sealant behind the brickmould before setting the unit in place.
- **Interior Air Seal**—Apply around the perimeter of the unit by applying a 1" deep bead of Low expansion, low pressure polyurethane insulating window and door foam sealant - (DO NOT use high pressure or latex foams).
- Commercial and/or large complex combination assemblies may require additional installation design considerations and attachments. See the Combination Recommendations section.
- Seal head flashing to top of brickmould.
- See page F-4 for typical sealant placement details.

See your local Pella sales representative for installation instructions. Items in bold are available from Pella.



**FLASHING BY OTHERS**  
Metal head flashing.

**SMARTFLASH® INSTALLATION TAPE**

Integrate the window and door flashing tape into the wall system.

**JAMB EXTENSION #250R (OPTIONAL)**

**PELLA 2-1/2" RANCH-1 TRIM (#30AY) (OPTIONAL)**

**PELLA WOOD BRICKMOULD #3443 / 3445**

SHIM AND PLUMB UNITS AS REQUIRED BY OTHERS.

**PELLA WINDOW AND DOOR INSTALLATION SEALANT AND WATER RESISTANT BACKER ROD.**

Apply continuous sealant according to label directions and ASTM C1193.

**LOW EXPANSION, LOW PRESSURE POLYURETHANE INSULATING WINDOW AND DOOR FOAM SEALANT - (DO NOT USE HIGH PRESSURE OR LATEX FOAMS)**

Apply a continuous 1" bead of insulating foam to provide a full interior seal.

**PELLA WOOD SUBSILL #3544**

Scale 3" = 1' 0"

- Items in bold are available from Pella.
- These details are for typical single punch openings.
- Refer to the appropriate Pella® Installation Instruction for step-by-step instructions.



# Installation Details - Wood and Aluminum-Clad Wood Exterior

## Brickmould Installation Details - Wood Exterior Hinged Door with Wood Siding

### PELLA 2-1/2" RANCH-1 TRIM (#30AY) (OPTIONAL)

### PELLA WOOD BRICKMOULD #3419 (OPTIONAL)

SHIM AND PLUMB UNITS AS REQUIRED BY OTHERS.

PELLA WINDOW AND DOOR INSTALLATION SEALANT AND WATER RESISTANT BACKER ROD.

Apply continuous sealant according to label directions and ASTM C1193.

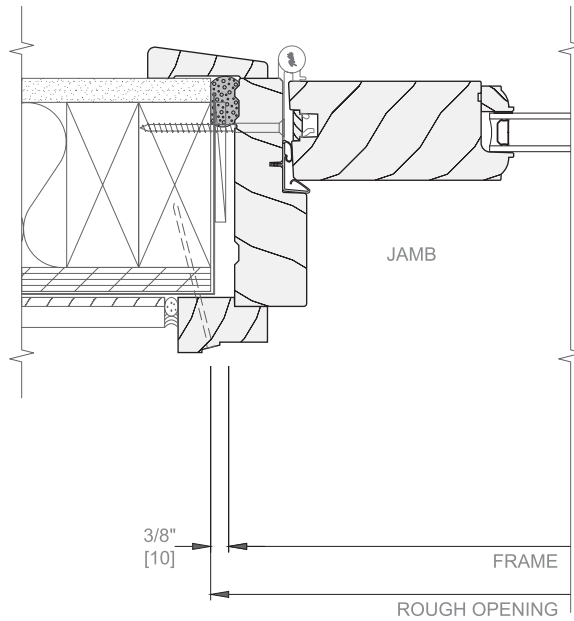
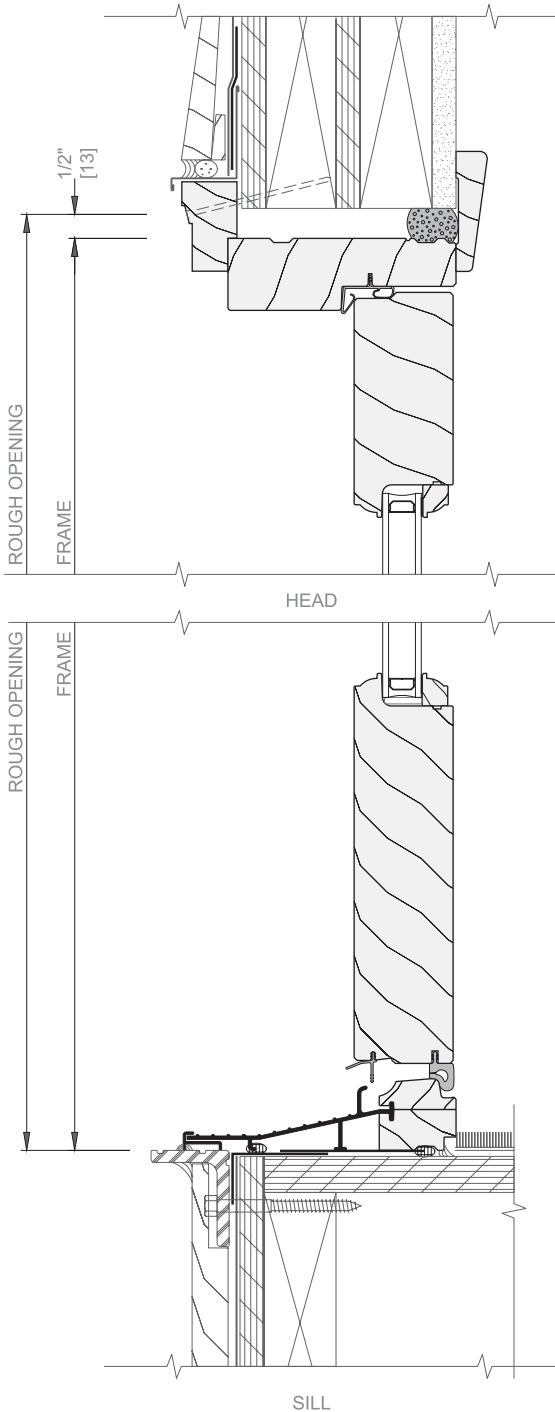
### LOW EXPANSION, LOW PRESSURE POLYURETHANE INSULATING WINDOW AND DOOR FOAM SEALANT - (DO NOT USE HIGH PRESSURE OR LATEX FOAMS)

Apply a continuous 1" bead of insulating foam to provide a full interior seal.

### ALUMINUM SILL SUPPORT

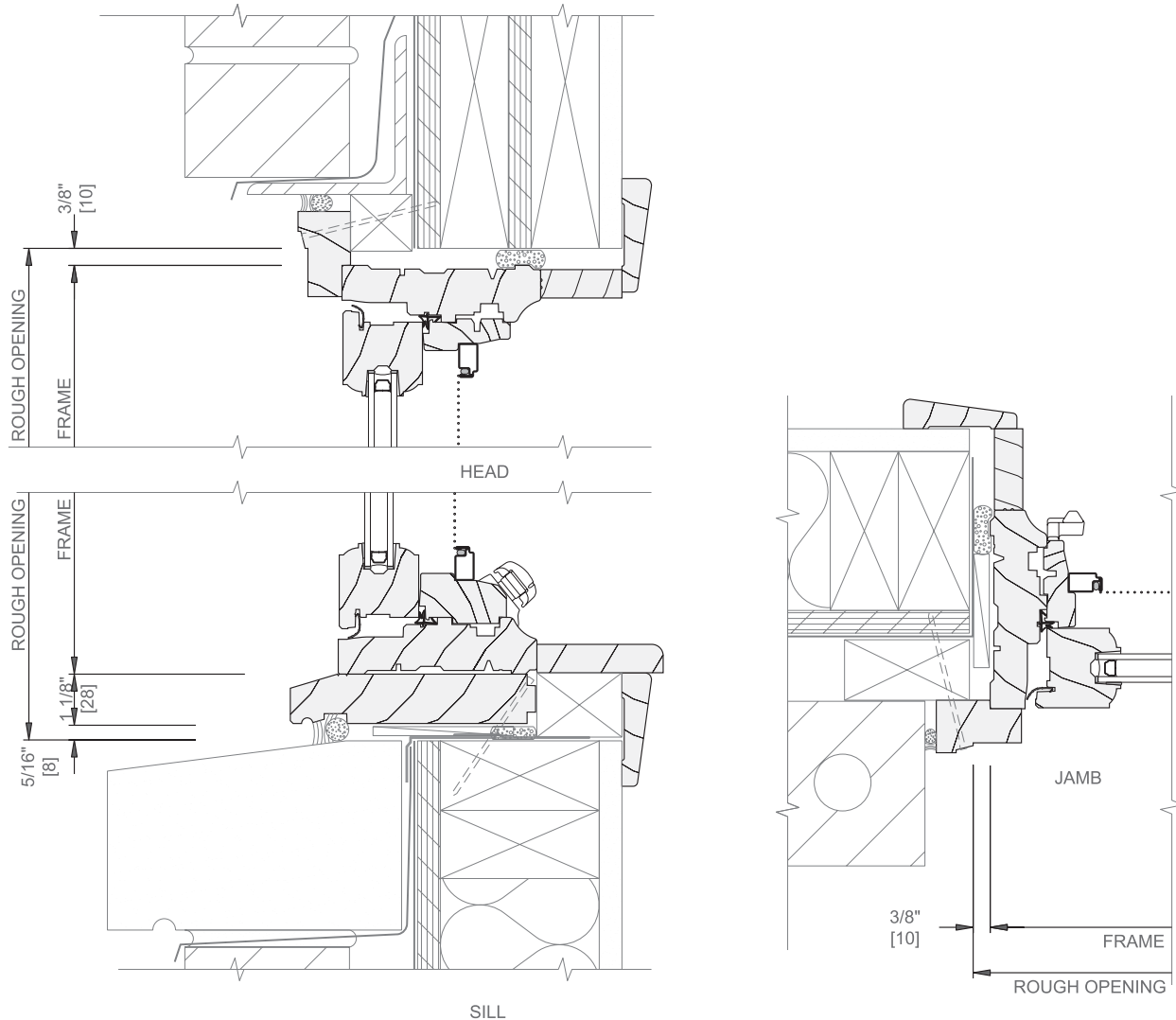
- or -

2" X 4" WOOD BLOCKING BY OTHERS



Scale 3" = 1' 0"

- Items in bold are available from Pella.
- These details are for typical single punch openings.
- Refer to the appropriate Pella® Installation Instruction for step-by-step instructions.



THROUGH-WALL CAVITY FLASHING WITH WEEPS AT HEAD AND SILL BY OTHERS.

**PELLA WOOD SUBSILL #3544**

SHIM AND PLUMB UNITS AS REQUIRED BY OTHERS.

PELLA WINDOW AND DOOR INSTALLATION SEALANT AND WATER RESISTANT BACKER ROD.

Apply continuous sealant according to label directions and ASTM C1193.

**LOW EXPANSION, LOW PRESSURE POLYURETHANE INSULATING WINDOW AND DOOR FOAM SEALANT - (DO NOT USE HIGH PRESSURE OR LATEX FOAMS)**

Apply a continuous 1" bead of insulating foam to provide a full interior seal.

Scale 3" = 1' 0"

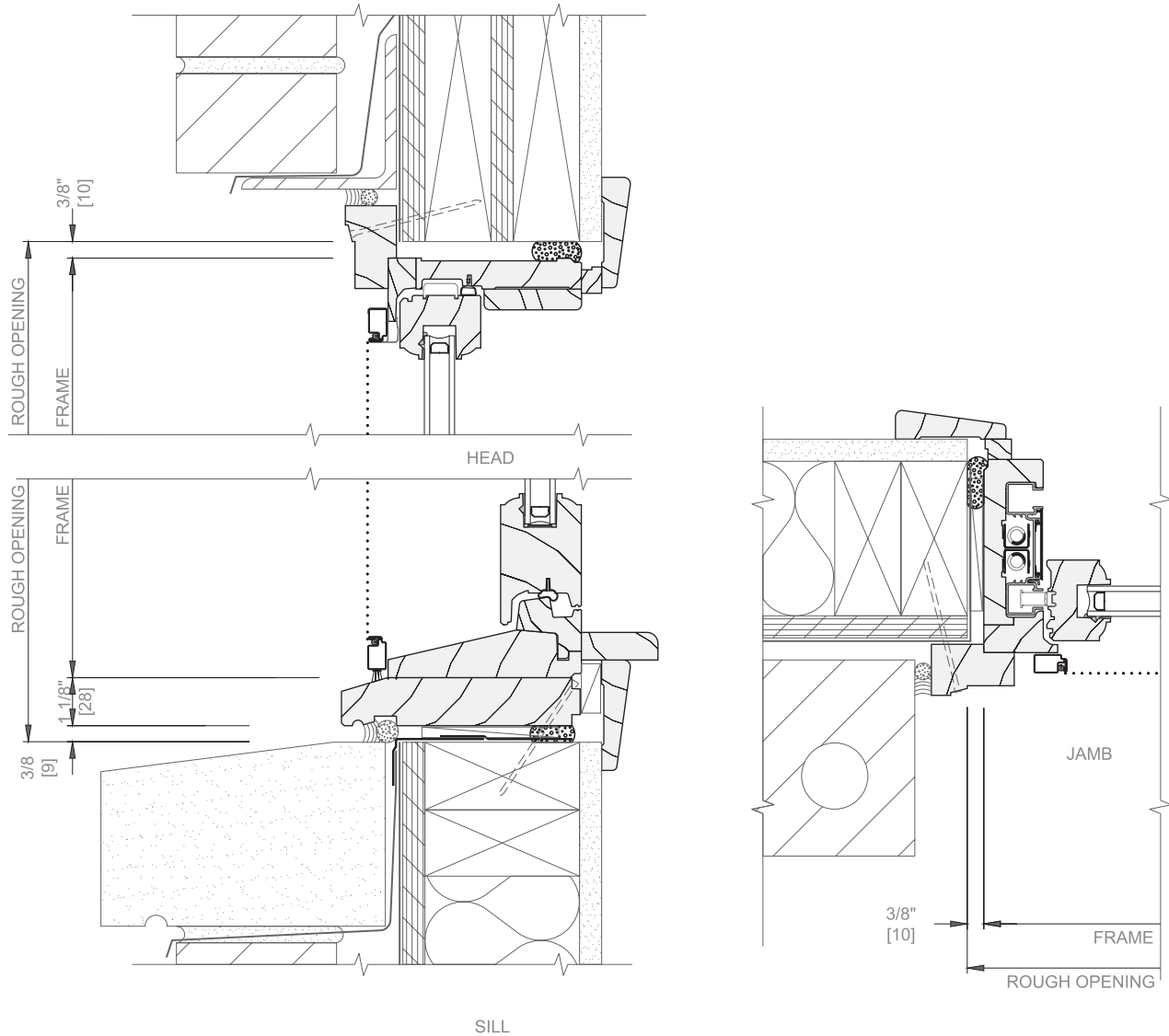
- Items in bold are available from Pella.
- These details are for typical single punch openings.
- Refer to the appropriate Pella® Installation Instruction for step-by-step instructions.

**JAMB EXTENSION #250R (OPTIONAL)**

**PELLA 2-1/2" RANCH-1 TRIM (#30AY) (OPTIONAL)**

**PELLA WOOD BRICKMOULD #3443/3445**

Brick return at jamb to close cavity and provide backing for backer rod and sealant. See page F-25 for alternate detail.



**PELLA 2-1/2" RANCH-1 TRIM (#30AY) (OPTIONAL)**

**PELLA WOOD BRICKMOULD #3443**

SHIM AND PLUMB UNITS AS REQUIRED BY OTHERS.

PELLA WINDOW AND DOOR INSTALLATION SEALANT AND WATER RESISTANT BACKER ROD.

Apply continuous sealant according to label directions and ASTM C1193.

**LOW EXPANSION, LOW PRESSURE POLYURETHANE INSULATING WINDOW AND DOOR FOAM SEALANT - (DO NOT USE HIGH PRESSURE OR LATEX FOAMS)**

Apply a continuous 1" bead of insulating foam to provide a full interior seal.

**JAMB EXTENSION #250R (OPTIONAL)**

THROUGH-WALL CAVITY FLASHING WITH WEEPS AT HEAD AND SILL BY OTHERS.

**PELLA WOOD SUBSILL #3544**

Brick return at jamb to close cavity and provide backing for backer rod and sealant. See page W-ID-10 for alternate detail.

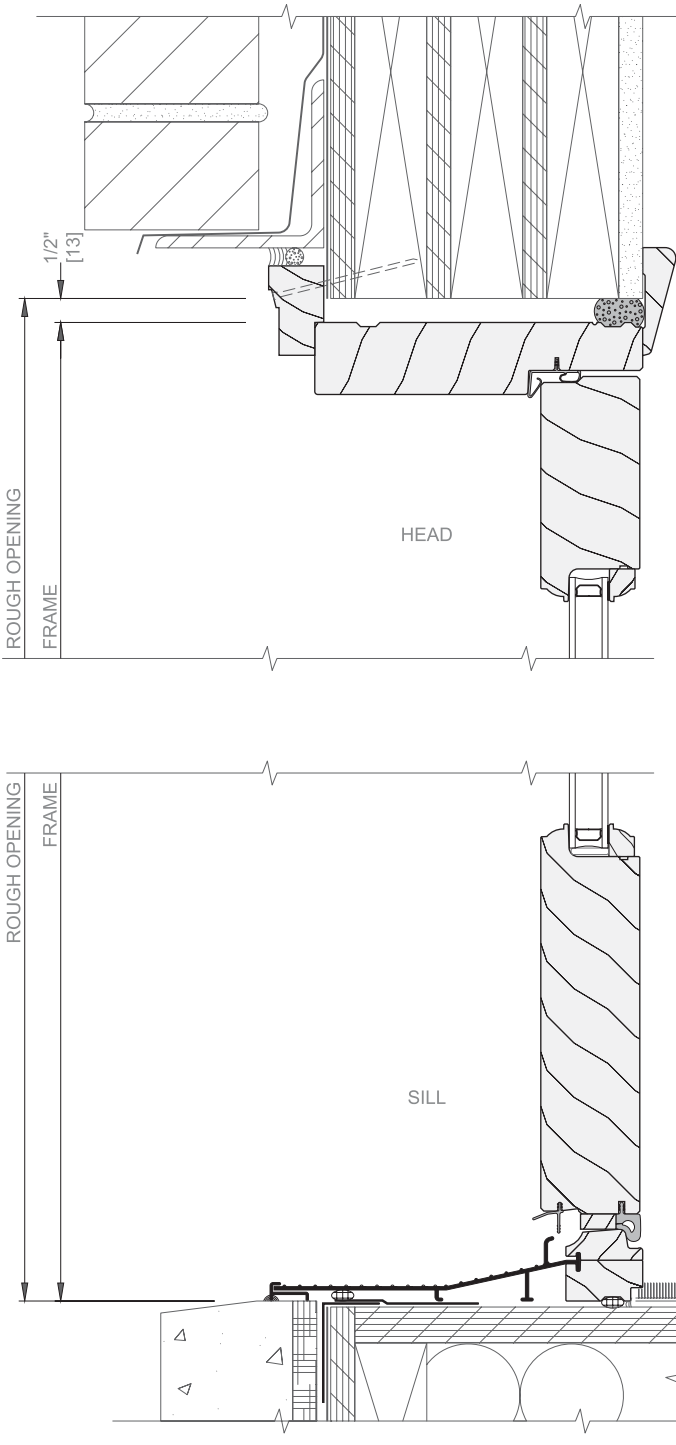
Scale 3" = 1' 0"

- Items in bold are available from Pella.
- These details are for typical single punch openings.
- Refer to the appropriate Pella® Installation Instruction for step-by-step instructions.



# Installation Details - Wood and Aluminum-Clad Wood Exterior

## Brickmould Installation Details - Wood Exterior Hinged Door with Brick Veneer



**PELLA 2-1/2" RANCH-1 TRIM (#30AY) (OPTIONAL)**

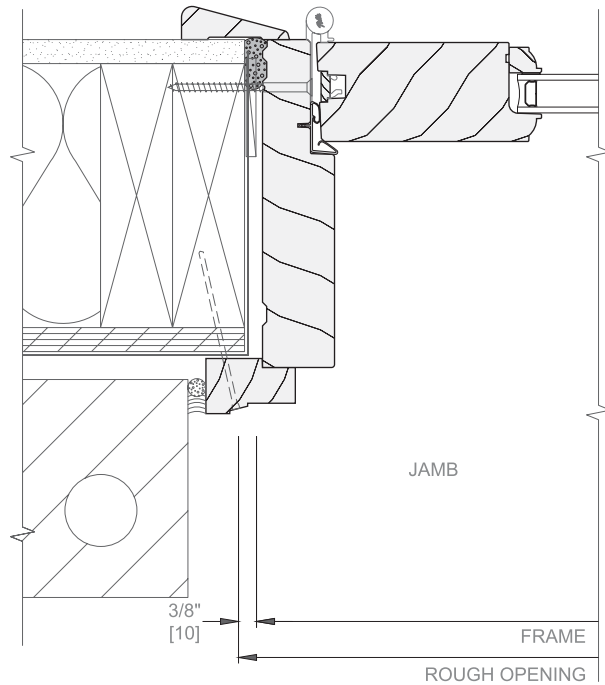
**PELLA WOOD BRICKMOULD #3419 (OPTIONAL)**

SHIM AND **PLUMB** UNITS AS REQUIRED BY OTHERS.

PELLA WINDOW AND DOOR INSTALLATION SEALANT AND WATER RESISTANT BACKER ROD.

Apply continuous sealant according to label directions and ASTM C1193.

**LOW EXPANSION, LOW PRESSURE POLYURETHANE INSULATING WINDOW AND DOOR FOAM SEALANT - (DO NOT USE HIGH PRESSURE OR LATEX FOAMS)**



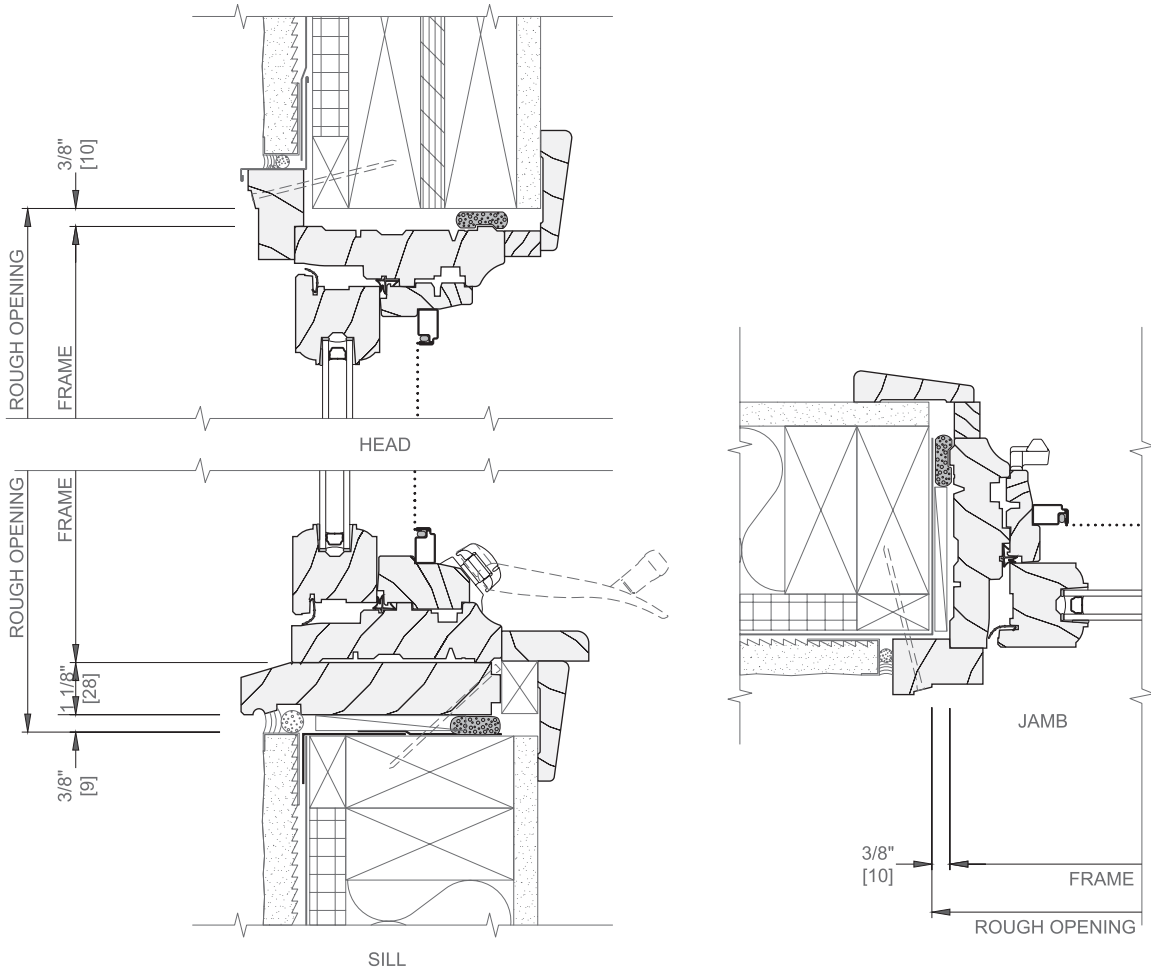
Apply a continuous 1" bead of insulating foam to provide a full interior seal.

THROUGH-WALL CAVITY FLASHING WITH WEEPS AT HEAD AND SILL BY OTHERS.

Brick return at jamb to close cavity and provide backing for backer rod and sealant. See page W-ID-10 for alternate detail.

Scale 3" = 1' 0"

- Items in bold are available from Pella.
- These details are for typical single punch openings.
- Refer to the appropriate Pella® Installation Instruction for step-by-step instructions.



**FLASHING BY OTHERS**  
Metal head flashing.

**PELLA 2-1/2" RANCH-1 TRIM (#30AY) (OPTIONAL)**

**PELLA WOOD SUBSILL #3544**

SHIM AND PLUMB UNITS AS REQUIRED BY OTHERS.

PELLA WINDOW AND DOOR INSTALLATION SEALANT AND WATER RESISTANT BACKER ROD.

Apply continuous sealant according to label directions and ASTM C1193.

**LOW EXPANSION, LOW PRESSURE POLYURETHANE INSULATING WINDOW AND DOOR FOAM SEALANT - (DO NOT USE HIGH PRESSURE OR LATEX FOAMS)**

Apply a continuous 1" bead of insulating foam to provide a full interior seal.

**JAMB EXTENSION #383G (OPTIONAL)**

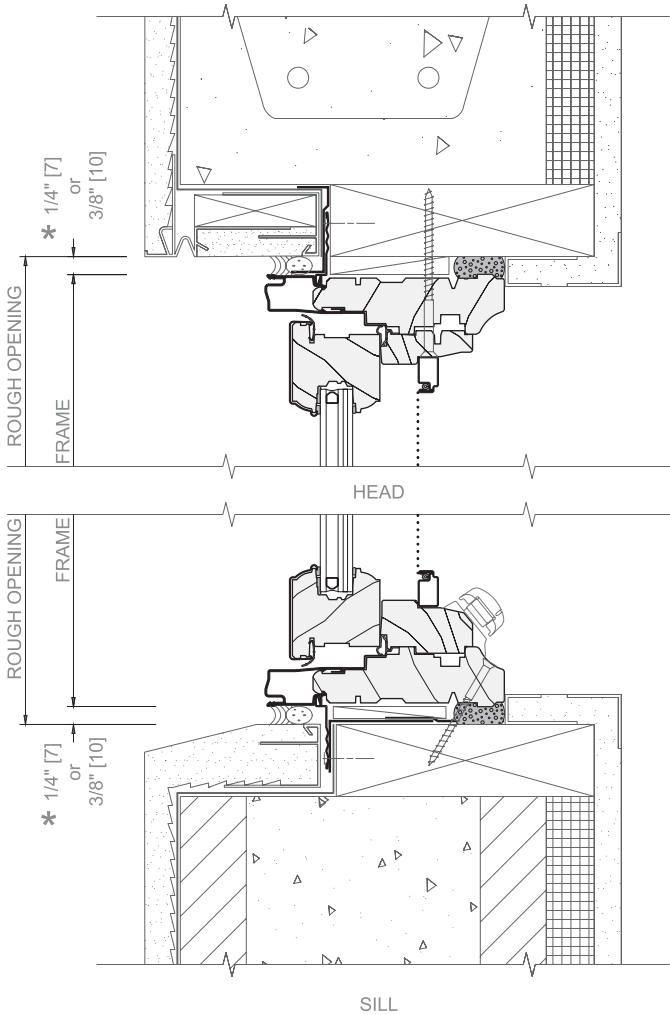
STUCCO J-MOLD BY OTHERS

NOTE: THESE DETAILS REFLECT GENERAL INSTALLATION CONCEPTS FOR TYPICAL CONSTRUCTION WITH WATER-MANAGED STUCCO PRODUCTS. DUE TO THE NUMBER OF DIFFERENT SYSTEMS AVAILABLE, NO ATTEMPT HAS BEEN MADE TO SHOW SPECIFIC FLASHING OR DRAINAGE DETAILS. CONSULT THE STUCCO MANUFACTURER FOR SPECIFIC DETAILING REQUIRED FOR THEIR WATER-MANAGED SYSTEM.

Scale 3" = 1' 0"

- Items in bold are available from Pella.
- These details are for typical single punch openings.
- Refer to the appropriate Pella® Installation Instruction for step-by-step instructions.

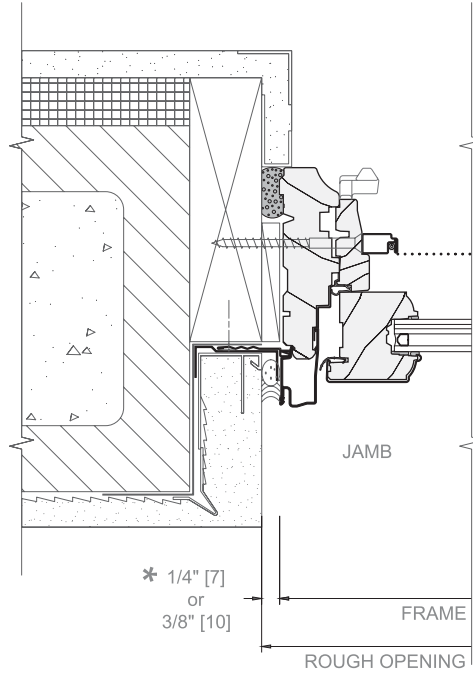




**SMARTFLASH® INSTALLATION TAPE**

Integrate the window and door flashing tape into the wall system.

SEE INSTALLATION INSTRUCTIONS FOR ANCHORAGE SCREW SIZE, LOCATION AND SPACING.



**INSTALLATION FIN #42G7**

Attach unit to wall construction with nails or screws at each pre-punched hole in the installation fin.

PELLA WINDOW AND DOOR INSTALLATION SEALANT AND WATER RESISTANT BACKER ROD.

Apply continuous sealant according to label directions and ASTM C1193.

SHIM, LEVEL AND PLUMB UNITS AS REQUIRED AT ANCHORAGE LOCATIONS.

**LOW EXPANSION, LOW PRESSURE POLYURETHANE INSULATING WINDOW AND DOOR FOAM SEALANT - (DO NOT USE HIGH PRESSURE OR LATEX FOAMS)**

Apply a continuous 1" bead of insulating foam to provide a full interior seal.

- \* Maximum clearance allowed per local code.

Scale 3" = 1' 0"

- Items in bold are available from Pella.
- These details are for typical single punch openings.
- Refer to the appropriate Pella® Installation Instruction for step-by-step instructions.