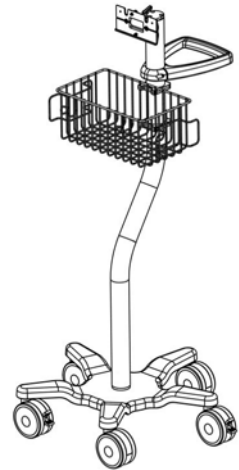


## Installation Guide

### Roll Stand Kit for Welch Allyn® 1500 Patient Monitor

The purpose of this guide is to:

1. Describe attachment of Utility Basket to Post (page 2).
2. Describe assembly of Post to Base (page 3).
3. Describe attachment of the Handle (page 3).
4. Describe attachment of Mounting Adapter to the monitor (page 4).
5. Describe mounting of the monitor (page 4).
6. Describe tilt and tilt tension adjustment (page 5).

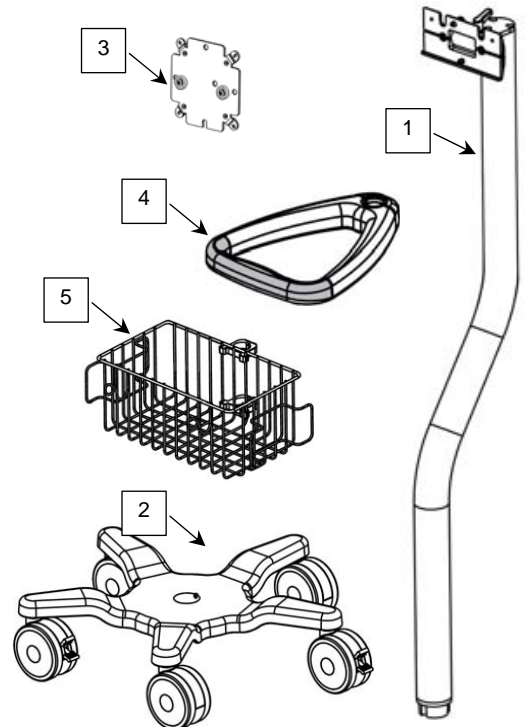


### Parts Reference

The following parts are provided for this procedure (hardware not shown):

Item #	Description	Qty
1	42" Offset Roll Stand Post with Mounting Plate	1
2	21" Roll Stand Base with 10 lb Counter Weight	1
3	Mounting Adapter	1
4	Handle with pre-installed hardware (2)10-32 x 9/16 PHMS	1
5*	Basket with (2) Clips and pre-installed hardware	1
6	5/16-18 x 1" Hex Head Cap Screw (HHCS)	1
7	5/16 Split Washer	1
8	5/16 Flat Washer	1
9	M4 x 8mm Pan Head Machine Screw (PHMS)	4
10	5/32" Hex Wrench	1

\* Basket Clips have pre-installed hardware (2) 8-32 x 1-1/2" PHMS, (2) 8-32 Hex Nuts.



### Tools Required:

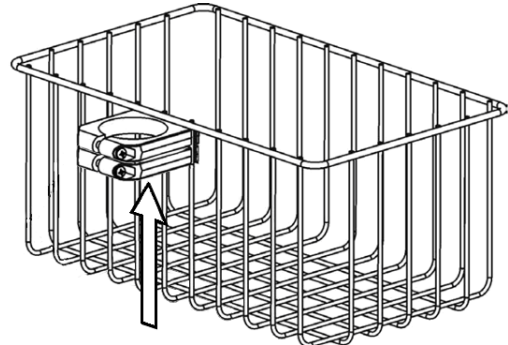
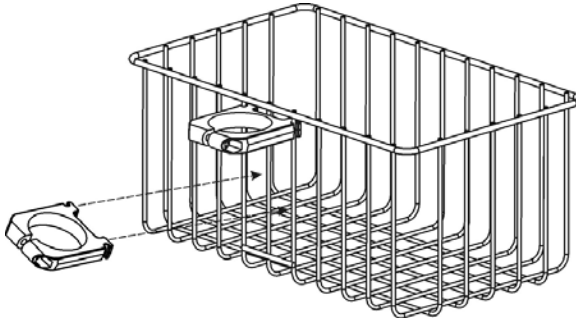
- Phillips screwdriver (not provided)
- 1/2" Socket Wrench (not provided)
- 5/32 Hex Wrench (provided)



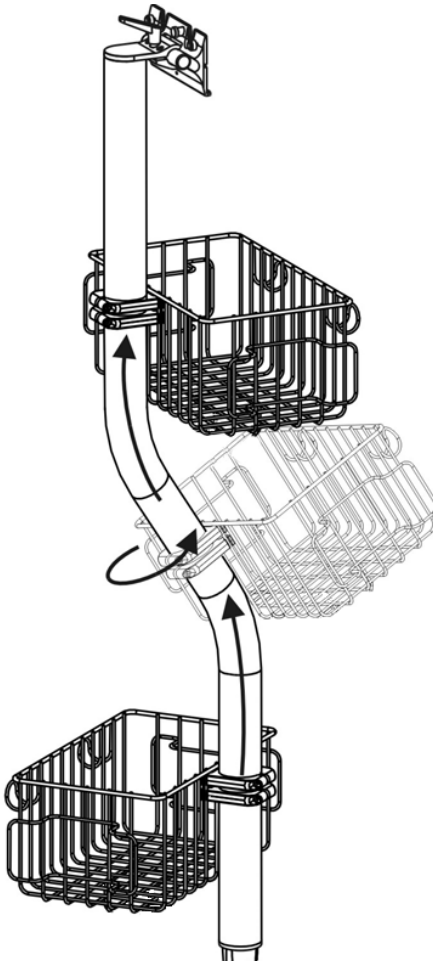
**WARNING:** Do not reposition Handle or Basket higher on the Post than shown in this Guide. Any additional accessory or components mounted on the Roll Stand Post could result in injury due to tipping of the Roll Stand.

## Attaching Utility Basket to Roll Stand Post

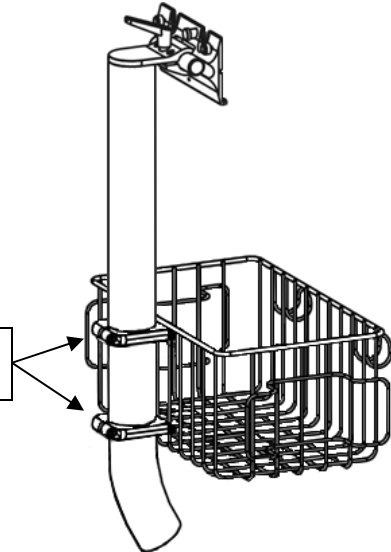
1. Install Basket Clips by inserting at an angle in center of basket and rotating each Clip until horizontal (below left). Slide both Clips to top of Basket as shown (below right).



2. Slide Clips over bottom end of Post and move Basket to upper section of Post shown below. **Installation Note:** Basket must be rotated to opposite side of Post when second section is reached as shown below left.
3. Slide Clips to top and bottom of Basket as shown below right. Using a Phillips screwdriver, tighten both Clips to secure Basket on Post. Clip hardware (2) 8-32 x 1-1/2" PHMS and (2) 8-32 Hex Nuts has been pre-installed.

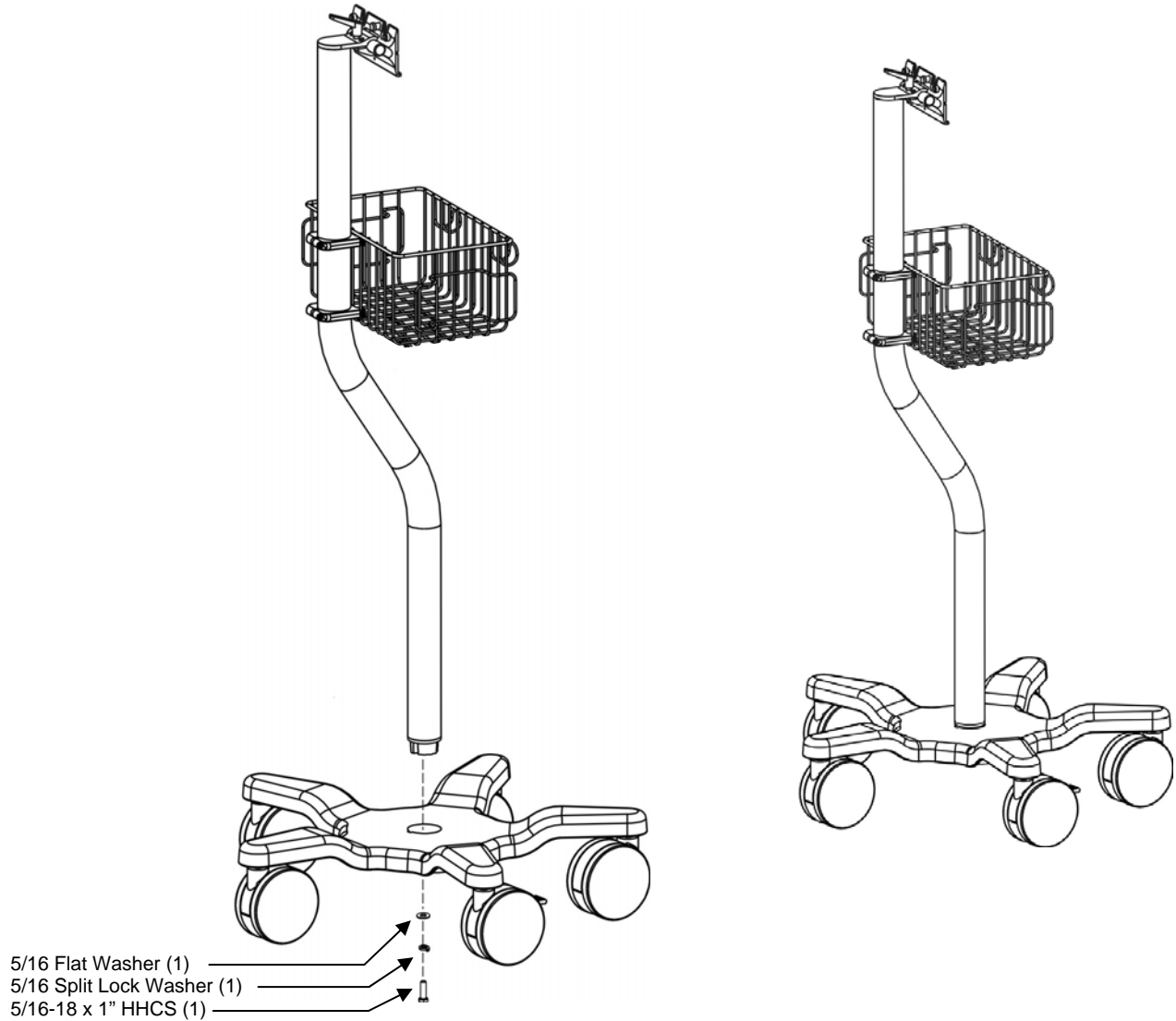


Slide Lower Clip to bottom of Basket



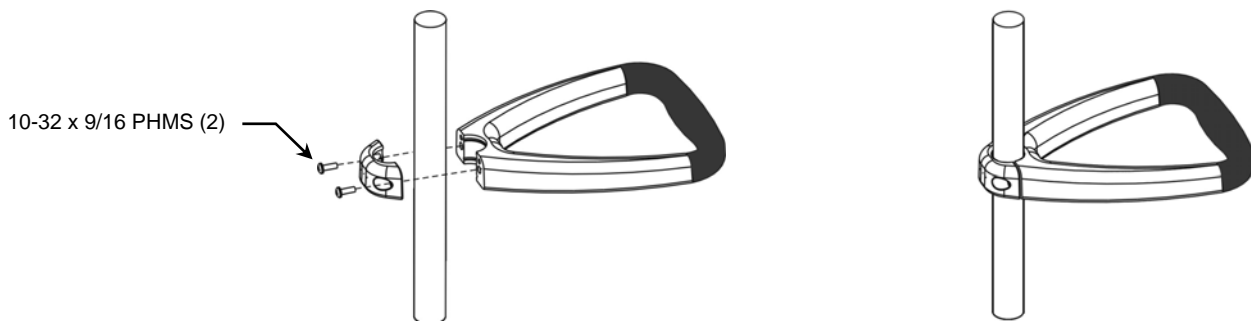
## Assembling the Roll Stand (Post to Base)

1. Using a 1/2" [13mm] wrench, fasten Post to Base with one (1) 5/16-18 x 1" HHCS, 5/16 split lock washer, and 5/16" flat washer as shown below.



## Attaching the Roll Stand Handle

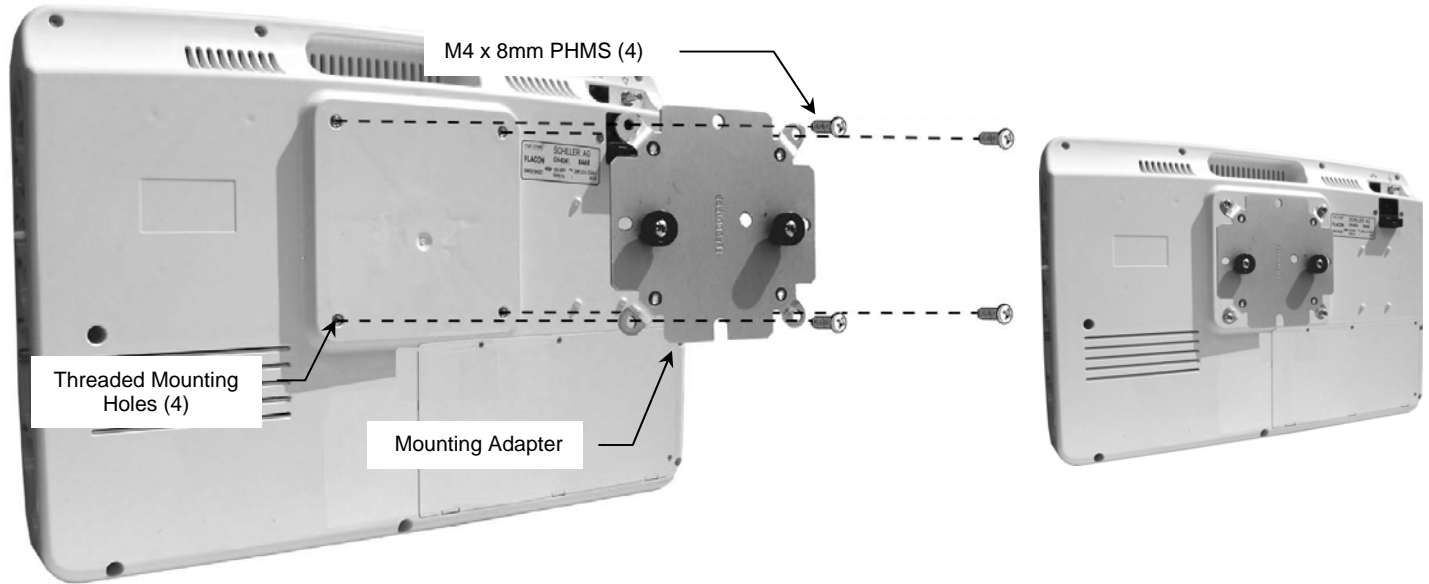
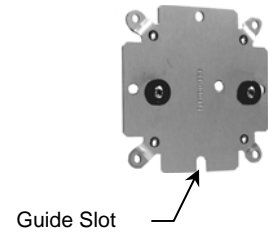
Using a Phillips screwdriver, fasten Handle to Roll Stand Post with two (2) #10-32 x 9/16" PHMS as shown. Alternately tighten Handle screws until Handle does not rotate around Post.



## Attaching Mounting Adapter to Monitor

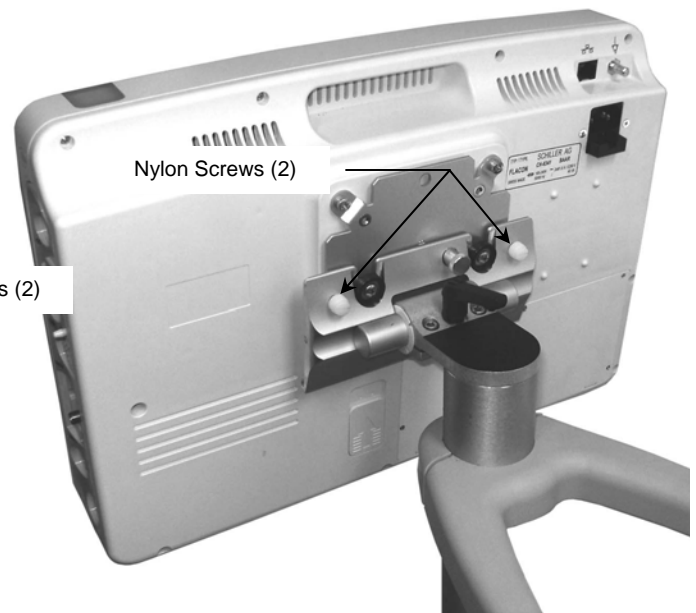
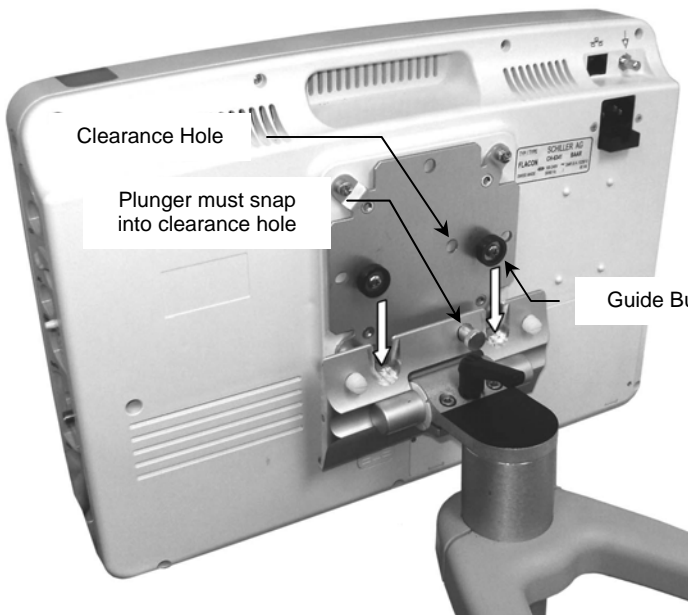
**Installation Note:** When Installing Mounting Adapter, Guide Slot must be positioned down.

1. Using a Phillips screwdriver, fasten Mounting Adapter to the four (4) threaded mounting holes on the back of the Monitor with four (4) M4 x 8mm PHMS (below left).



## Mounting the Monitor

1. Lower Monitor with Mounting Adapter onto Mounting Plate by guiding the two (2) Guide Bushings into slots in Mounting Plate (below left). Plunger must snap into clearance hole to secure the monitor (below left).
2. Tighten by hand the two (2) Nylon screws to further secure the Monitor (below right). To remove Monitor, pull Plunger and lift.

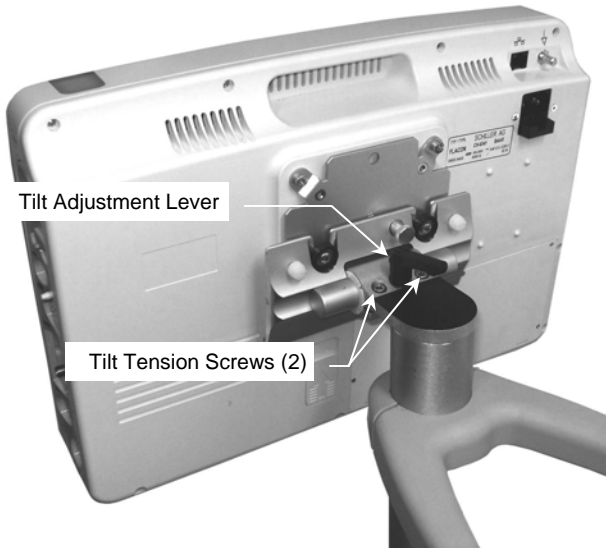


## Adjusting Tilt and Tilt Tension

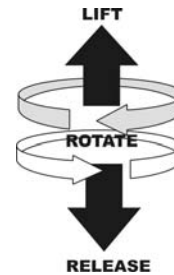
**Installation Note** Lever provides ratchet-style adjustment (see below). Lift and rotate lever to desired position and release, then loosen or tighten.

**Tilt Adjustment:** Turn Tilt Adjustment Lever counter clockwise to loosen. Grasp the top and/or bottom of the device and tilt to the desired angle. Turn Tilt Adjustment Lever clockwise (using ratchet feature as desired) to tighten and lock position.

**Tilt Tension:** Adjust the overall tilting tension by equally tightening or loosening two (2) Tilt Tension Screws with the 5/32" hex wrench provided. Once the overall tilt tension is set, use the Tilt Adjustment Lever to fine tune and lock the tilt position.



**Installation Note:** The Tilt Adjustment Lever is a multi-position clamping lever that operates by lifting, rotating, and releasing the handle.



## Periodic Maintenance

All fasteners associated with the mounting system should be inspected periodically and tightened as necessary.

## Cleaning the Mounting Assembly

1. The mounting assembly may be cleaned with most mild, non-abrasive solutions commonly used in the hospital environment (e.g. diluted bleach, ammonia, or alcohol solutions).
2. The surface finish will be permanently damaged by strong chemicals and solvents such as acetone or trichloroethylene.
3. Steel wool or other abrasive material should never be used.
4. Damage caused by the use of unapproved substances or processes will not be warranted. It is recommended that you test any cleaning solution on a small area of the arm that is not visible to verify compatibility.
5. Never submerge or allow liquids to enter the mounting assembly. Wipe any cleaning agents off the mounting assembly immediately, using a water-dampened cloth. Dry the mounting assembly thoroughly after cleaning.

**CAUTION:** GCX makes no claims regarding the efficacy of the listed chemicals or processes as a means for controlling infection. Consult your hospital's infection control officer or epidemiologist. To clean or sterilize mounted devices or accessory equipment, refer to the specific instructions delivered with those products.