

WL7-vers. B

MAXON[®]
MOBILITY™

INSTALLATION INSTRUCTIONS FOR

WHEELCHAIR LIFT MODEL NO. WL7-vers. B

DOT-Public Use Lift

PATENTS PENDING

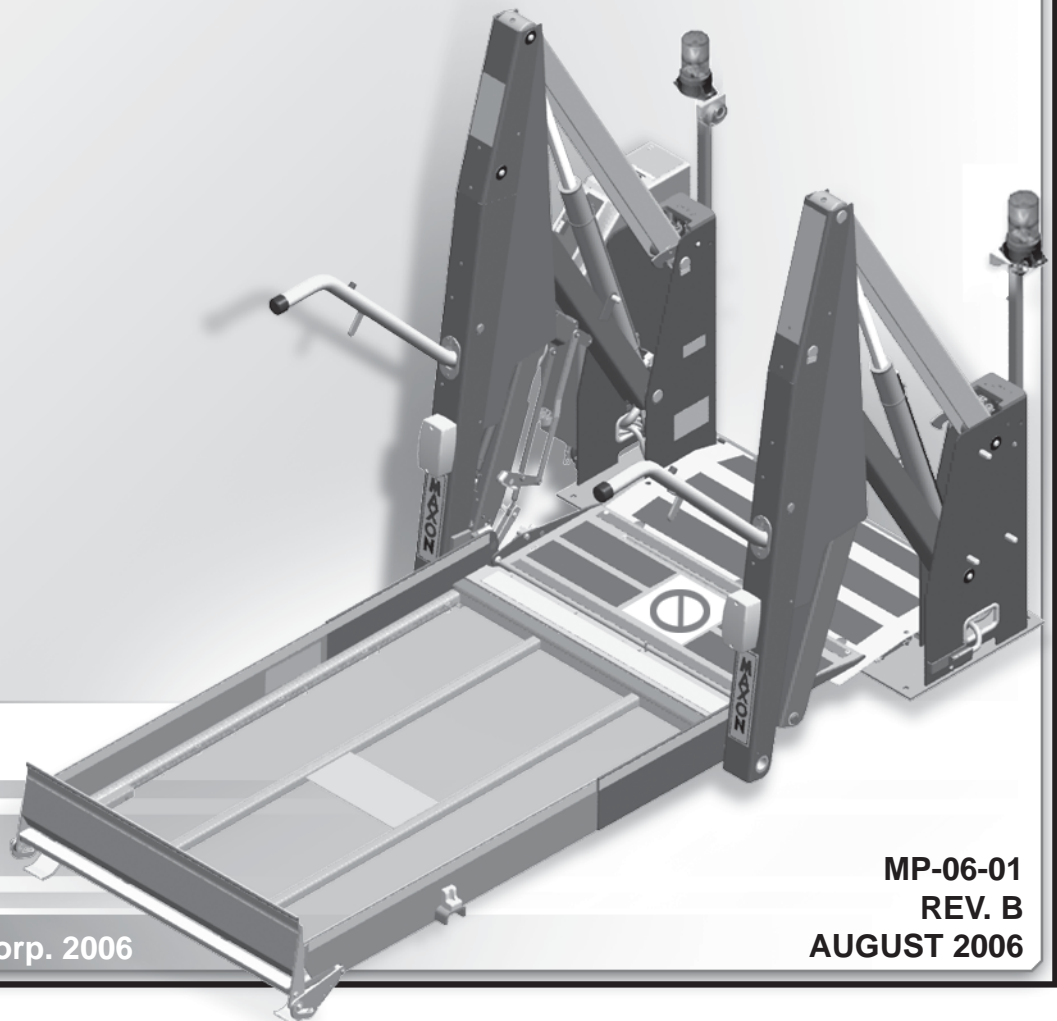


TABLE OF CONTENTS

INTRODUCTION	4
SAFETY SUMMARY	4
VEHICLE REQUIREMENTS	6
LIGHTING.....	7
WHEELCHAIR DOOR DIMENSIONS.....	8
LIFT DIMENSIONS.....	9
LIFT COMPONENTS & TERMINOLOGY.....	12
DECALS AND DECAL PLACEMENT.....	14
ANTI-SLIP & SAFETY STRIPING.....	16
LIFT INSTALLATION	19
INSTALLATION KIT.....	19
PREPARING AND POSITIONING THE LIFT.....	19
MOUNTING THE LIFT.....	20
INSTALL MAIN CIRCUIT BREAKER.....	21
ROUTE/CONNECT MAIN POWER CABLE, INTERLOCK CABLE, GROUND CABLE, & HAND CONTROL.....	23
CHECKING HYDRAULIC FLUID LEVEL.....	31
ADJUSTMENTS	32
MAT SWITCH ADJUSTMENT (IF REQUIRED).....	32
PLATFORM TILT ADJUSTMENT (IF REQUIRED).....	34
SYSTEM DIAGRAMS	36
HYDRAULIC SYSTEM DIAGRAM.....	36
ELECTRICAL SYSTEM DIAGRAM.....	37
COMPLETED LIFT INSTALLATION CHECKLIST	38

INTRODUCTION

This manual contains Instructions for installing the **MAXON MOBILITY** Wheelchair Lift in a transit vehicle. Please follow these instructions carefully and call us immediately if you need assistance with the installation. Do not take shortcuts, skip over installation steps, or modify the Lift. Correct installation is important to ensure the Lift operates correctly. If you have questions that are not covered in this manual, please contact:

MAXON Lift Corp. - Customer Service
11921 Slauson Ave., Santa Fe Springs, CA 90670
Phone: (800) 227-4116 FAX: (888) 771-7713
E-mail: cservice@maxonlift.com

After receiving the Wheelchair Lift, unpack the Lift and check it for freight damage. For freight-damaged items, immediately submit a claim to the carrier.

Make sure Installation Kit contains all items on the Packing List shipped with the kit. Please report any missing items immediately to our **Customer Service Department**. The **Warranty Registration Card**, shipped with the Lift, must be completed and returned to **Maxon Lift Corp.** within 30 days after installation and/or receipt of the Lift.

SAFETY SUMMARY

Comply with the following WARNINGS and safety precautions while maintaining the Wheelchair Lift. See Operator's Manual for operating safety requirements.

WARNING

1. Read and understand the instructions in this **Installation Manual** before installing Lift.
2. Before operating the Lift, read and understand the operating instructions contained in the **Operator's Manual**.
3. Comply with all **WARNING** and instruction decals attached to the Lift and those same instructions and **WARNINGS** attached to vehicle.
4. Keep decals clean and legible. If decals are unreadable or missing, **free replacement decals** are available from **MAXON Lift Corp. Customer Service**. Refer to **DECALS & DECAL PLACEMENT** and the instructions for installing decals on vehicle, in this manual.
5. Consider the safety and location of bystanders and location of nearby objects when operating the Lift. Stand to one side of platform while operating the Lift.
6. Do not allow untrained persons to operate the Lift.
7. Do not stand under, or allow obstructions under the Platform when lowering the Lift. **Be sure your feet are clear of the Lift.**
8. **Keep fingers, hands, arms, legs, and feet clear of moving Lift parts (and platform edges) when operating this Lift.**
9. **Make sure vehicle battery power is disconnected when installing Lift. Connect vehicle power to the Lift only when instructed to connect power.**

MAXON[®]

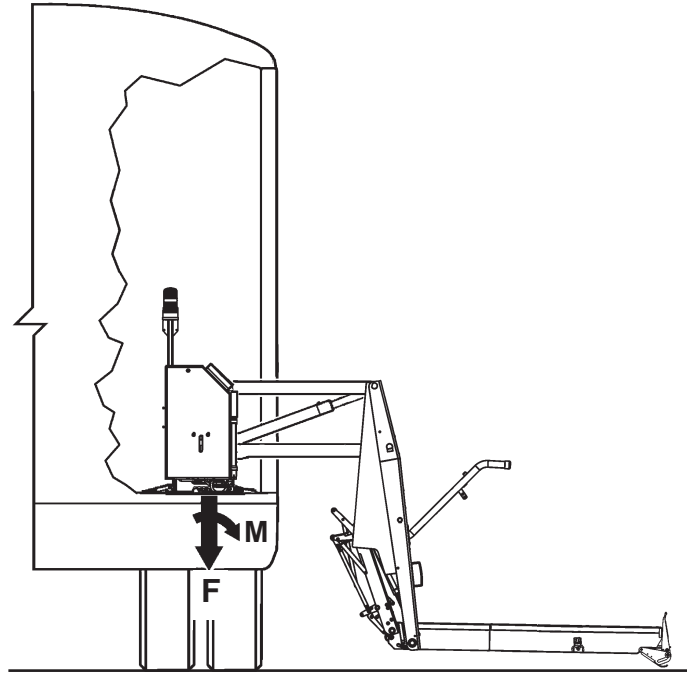
11921 Slauson Ave. Santa Fe Springs, CA. 90670 (800) 227-4116 FAX (888) 771-7713

10. Wear appropriate safety equipment, such as protective eyeglasses, faceshield and clothing when installing the Lift and handling the vehicle battery. Prevent injuries by protecting your eyes and exposed skin.
11. Be careful working by a vehicle battery. Make sure the work area is well ventilated and there are no flames or sparks near the battery. Never lay objects on the battery that can short the terminals together. If battery acid gets in your eyes, immediately seek first aid. If acid gets on your skin, immediately wash it off with soap and water.
12. If an emergency situation arises (vehicle or Lift) while operating the Lift, release the hand control switch and the Lift will stop.
13. A correctly installed Lift operates smoothly and reasonably quiet. The only noticeable noise, during Lift operation, is from the Pump Unit while the Platform is raised and folded. Listen for scraping, grating and binding noises and correct the problem before continuing to operate the Lift.

MAXON[®] 11921 Slauson Ave. Santa Fe Springs, CA. 90670 (800) 227-4116 FAX (888) 771-7713

VEHICLE REQUIREMENTS

The minimum vehicle requirements for installing the WL7 Wheelchair Lift are described below. Installing the Lift in accordance with the vehicle requirements and the instructions in this manual will result in an installation that is compliant with Federal Motor Vehicle Safety Standard (FMVSS) 403 and FMVSS 404.



F = 2800 LBS.
M = 154,000 LB.-IN.

FORCE & MOMENT PRODUCED BY LIFT ON VEHICLE FLOOR
FIG. 6-1

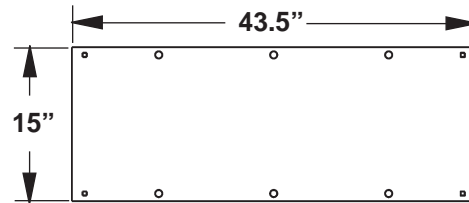
BODY STRENGTH

! WARNING

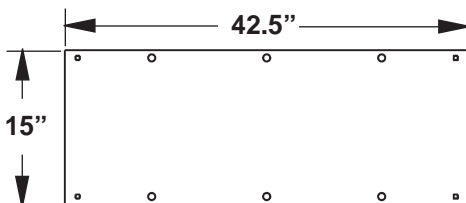
Consult body manufacturer for body strength data. Make sure the forces created by the Lift are within the limits prescribed by body manufacturer.

NOTE: The Lift represents approximately 400 lbs. of "F" shown in the illustration.

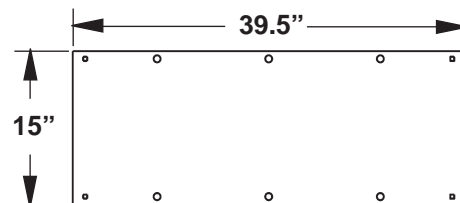
The WL7 Lift must be bolted to the vehicle body. Body must withstand the maximum vertical force ("F") and moment of force ("M") (FIG. 6-1) produced by the Lift on the vehicle floor surface shown in FIGS. 6-2, 6-3, and 6-4.



LIFT FOOTPRINT ON VEHICLE FLOOR (LIFT WITH 34" PLATFORM)
FIG. 6-2



LIFT FOOTPRINT ON VEHICLE FLOOR (LIFT WITH 33" PLATFORM)
FIG. 6-3



LIFT FOOTPRINT ON VEHICLE FLOOR (LIFT WITH 30" PLATFORM)
FIG. 6-4

MAXON[®]

11921 Slauson Ave. Santa Fe Springs, CA. 90670 (800) 227-4116 FAX (888) 771-7713

ELECTRICAL POWER

Vehicle must have a 12 volts dc electrical system capable of supplying 65 amperes of electrical power to the Lift for each operating cycle.

SAFETY INTERLOCK SYSTEM

Vehicle must have an FMVSS 403 compliant, onboard Safety Interlock System that interfaces with the Wheel-chair Lift interlock signal. Interlock signal may be V+ or V-. The interlock system on a host Vehicle must:

- Prevent the Lift from being unstowed when Vehicle is in drive or reverse.
- Prevent the Vehicle from moving when the Lift is unstowed.
- Prevent the Lift from disabling Vehicle, if the Lift signals an unstowed condition when the Vehicle is moving.

For the applicable Interlock electrical connections on the Lift, refer to the Electrical System Diagram in this manual. For more information about the interlock connections call:

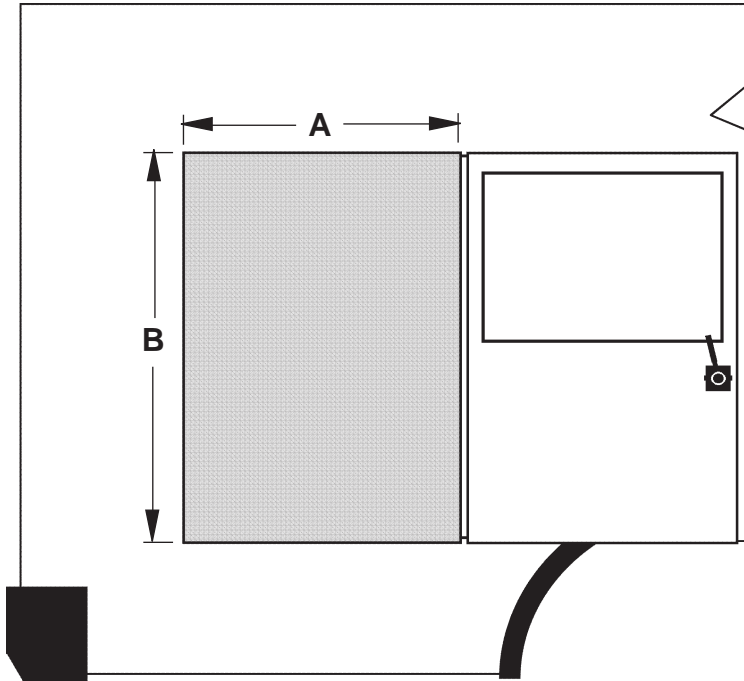
MAXON Lift Corp. Technical Service at (800) 227-4116

LIGHTING

Public use vehicle manufacturers are responsible for complying with the lift lighting requirements in Federal Motor Vehicle Safety Standard No. 404, Platform Lift Installations in Motor Vehicles (49 CFR 571.404).

VEHICLE REQUIREMENTS - Continued

WHEELCHAIR DOOR DIMENSIONS



**WHEELCHAIR DOOR DIMENSIONS ON
TYPICAL VEHICLE WITH SIDE DOOR
(SEE TABLE 8-1)
FIG. 8-1**

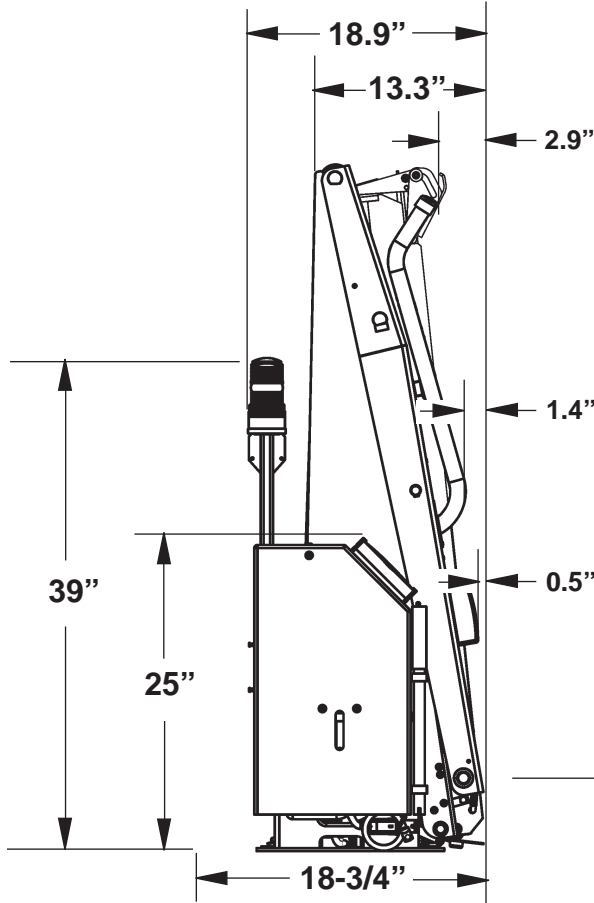
MODEL DESCRIPTIONS	A	B
	WHEELCHAIR DOOR WIDTH (MINIMUM)	WHEELCHAIR DOOR HEIGHT (MINIMUM)
30" WIDE PLATFORM RH PUMP	39"	56"
30" WIDE PLATFORM LH PUMP		
33" WIDE PLATFORM RH PUMP	42"	
33" WIDE PLATFORM LH PUMP		
34" WIDE PLATFORM RH PUMP	43"	
34" WIDE PLATFORM LH PUMP		

TABLE 8-1

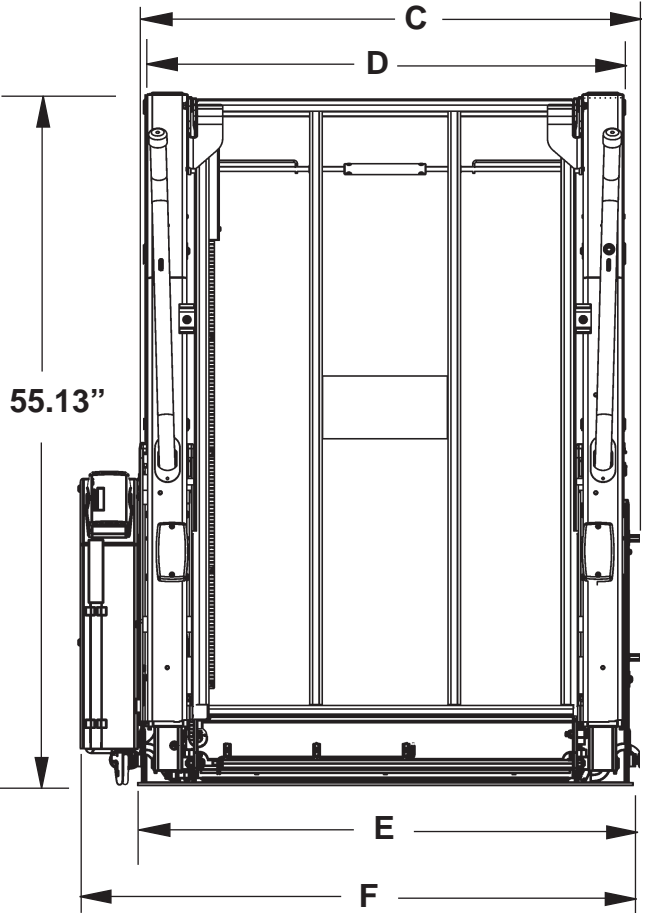
MAXON[®]

11921 Slauson Ave. Santa Fe Springs, CA. 90670 (800) 227-4116 FAX (888) 771-7713

LIFT DIMENSIONS



**SIDE VIEW OF STOWED LIFT
(LH PUMP MODEL SHOWN)
FIG. 9-1**



**FRONT VIEW OF STOWED LIFT
(LH PUMP MODEL SHOWN)
(SEE TABLE 9-1)
FIG. 9-2**

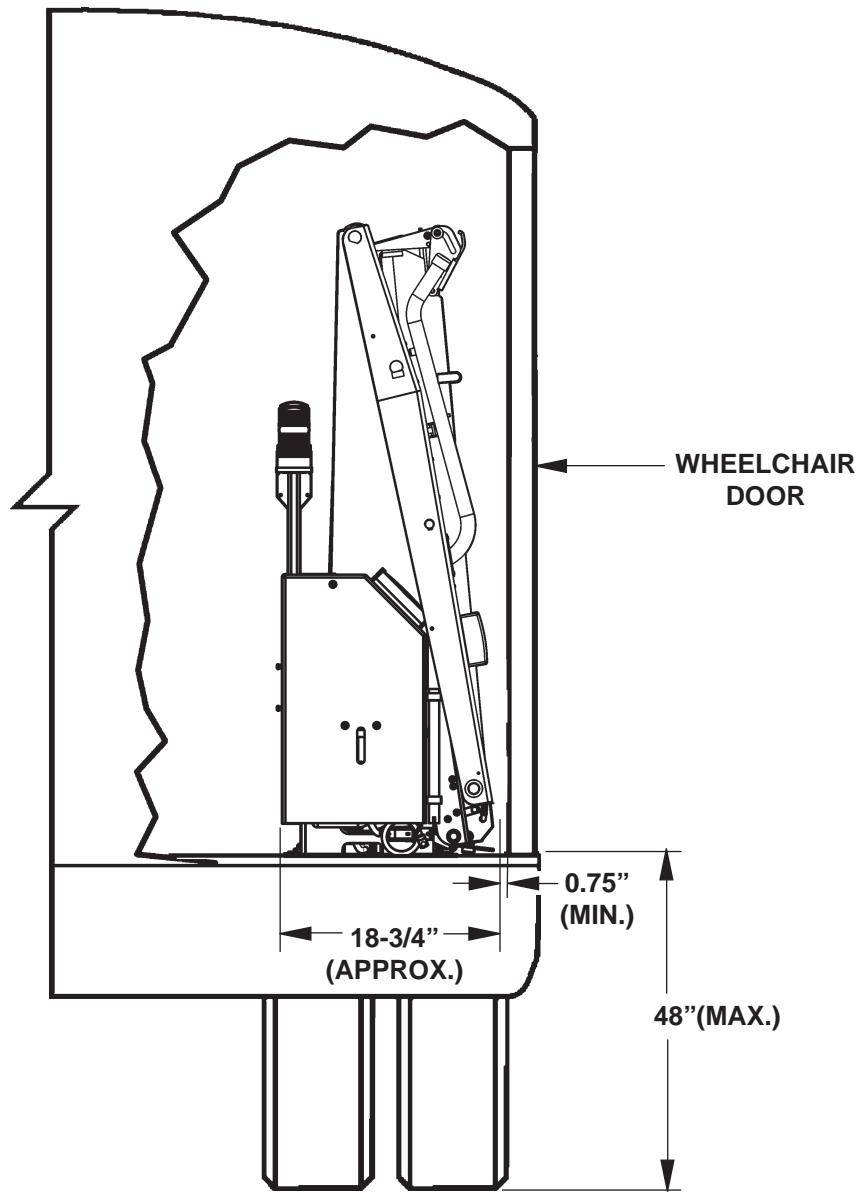
	C	D	E	F
MODEL DESCRIPTIONS	LIFT WIDTH AT WARNING BEACONS	LIFT WIDTH AT HAND RAILS	LIFT WIDTH AT BASE PLATE	OVERALL LIFT WIDTH (INCLUDING PUMP COVER)
30" WIDE PLATFORM RH PUMP	40.25"	38"	39.5"	45.5"
30" WIDE PLATFORM LH PUMP				
33" WIDE PLATFORM RH PUMP	43.25"	41"	42.5"	48.5"
33" WIDE PLATFORM LH PUMP				
34" WIDE PLATFORM RH PUMP	44.25"	42"	43.5"	49.5"
34" WIDE PLATFORM LH PUMP				

TABLE 9-1

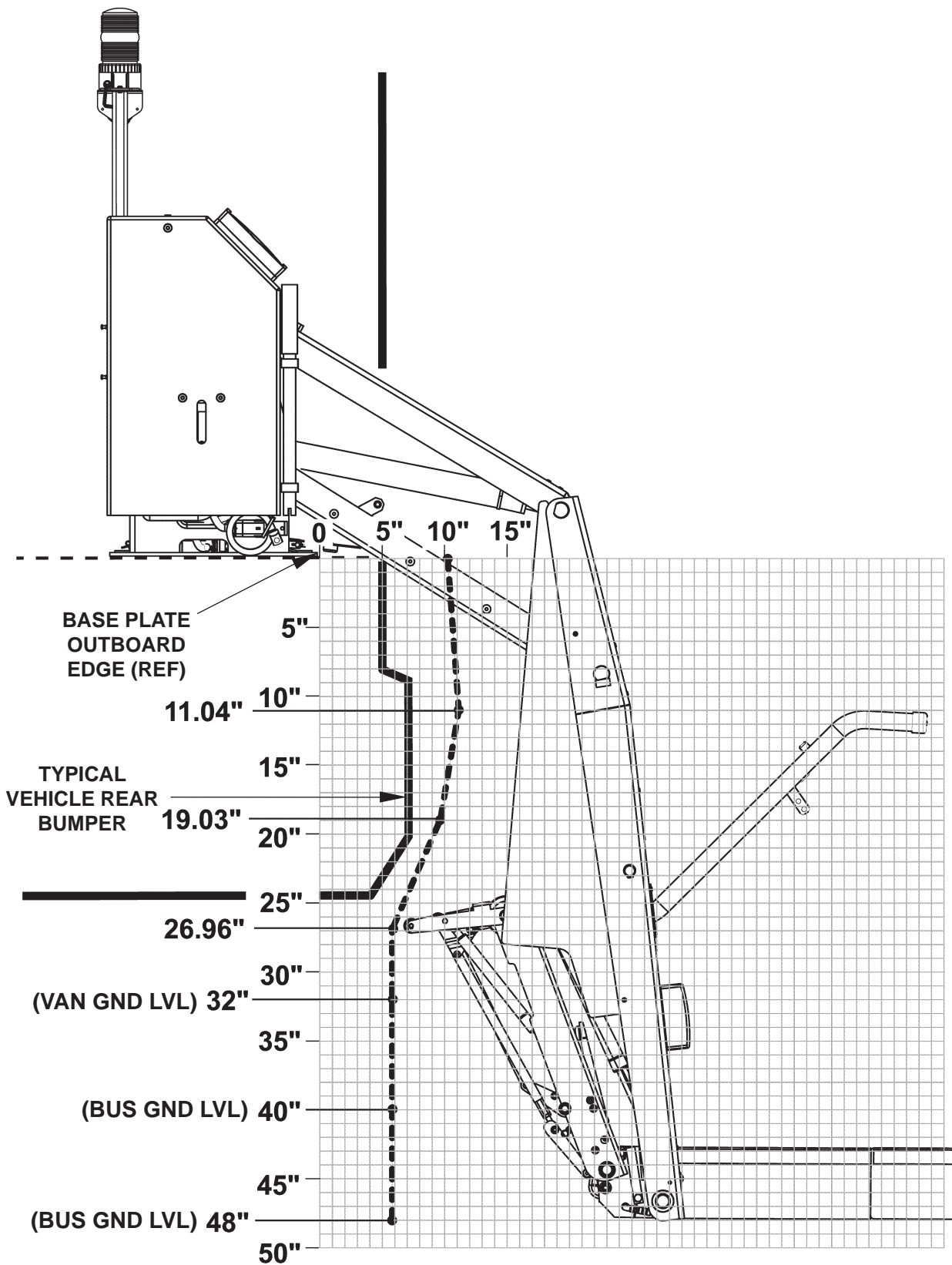
VEHICLE REQUIREMENTS - Continued

MAXON[®]

11921 Slauson Ave. Santa Fe Springs, CA. 90670 (800) 227-4116 FAX (888) 771-7713



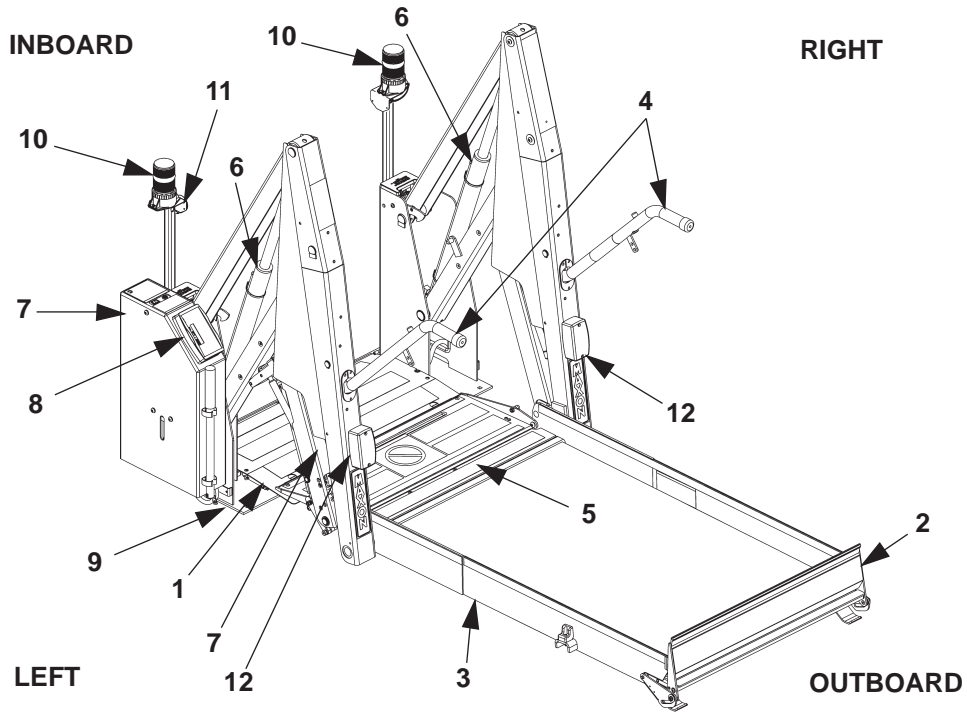
**WHEELCHAIR DOOR CLEARANCE & FLOOR
HEIGHT ON TYPICAL VEHICLE WITH SIDE DOOR
FIG. 10-1**



BODY CLEARANCE POINTS: 32", 40", & 48" FLOOR HEIGHTS
 FIG. 11-1

LIFT COMPONENTS & TERMINOLOGY

MAXON[®] 11921 Slauson Ave. Santa Fe Springs, CA. 90670 (800) 227-4116 FAX (888) 771-7713



LIFT COMPONENTS (SEE TABLE 13-1)
FIG. 12-1

ITEM	NAME	DESCRIPTION
1.	THRESHOLD PLATE	Component that bridges the entry way, through the Lift, into the vehicle. Detects if that portion of Lift is occupied during "UP/DOWN" operation between vehicle floor and the ground.
2.	OUTBOARD ROLLSTOP	Barrier to prevent the Wheelchair from rolling off of the Platform. Also provides entry/exit ramp for Platform on the ground.
3.	PLATFORM	Contains the Wheelchair and Occupant during "UP/DOWN" operation between vehicle floor and the ground.
4.	HANDRAILS	(Left/Right) Provides a hand hold for the Lift Occupant.
5.	INBOARD ROLLSTOP	Barrier to prevent the Wheelchair from rolling off inboard side of Platform. Also, provides bridge between Platform and Threshold.
6.	HYDRAULIC CYLINDER	(Left/Right) Telescoping steel tube and rod, pressurized by hydraulic fluid, that folds and unfolds the Lift and moves the Lift up and down.
7.	HYDRAULIC POWER UNIT (COVER IS SHOWN)	Contains motorized hydraulic pump, manually operated backup pump, fluid lines, and controls to operate the hydraulic cylinders.
8.	LIFT CONTROLLER	Electronic device that controls and monitors Lift operation and the interlock connection with the vehicle.
9.	BASE	Structure that secures Lift to the vehicle floor.
10.	THRESHOLD WARNING BEACON	Flashing red light indicates Threshold is occupied by a person or object when the Platform is below floor level. Also indicates Outboard Rollstop is open if Platform is at floor level.
11.	THRESHOLD WARNING ALARM	Audible alarm sounds when Threshold is occupied by a person or object when the Platform is below floor level. Also indicates Outboard Rollstop is open if Platform is at floor level.
12.	PLATFORM LIGHTS	Illuminates the Platform when ready to load at floor level and during "UP/DOWN" operation between vehicle floor and the ground.

TABLE 13-1

MAXON[®] 11921 Slauson Ave. Santa Fe Springs, CA. 90670 (800) 227-4116 FAX (888) 771-7713

DECALS AND DECAL PLACEMENT

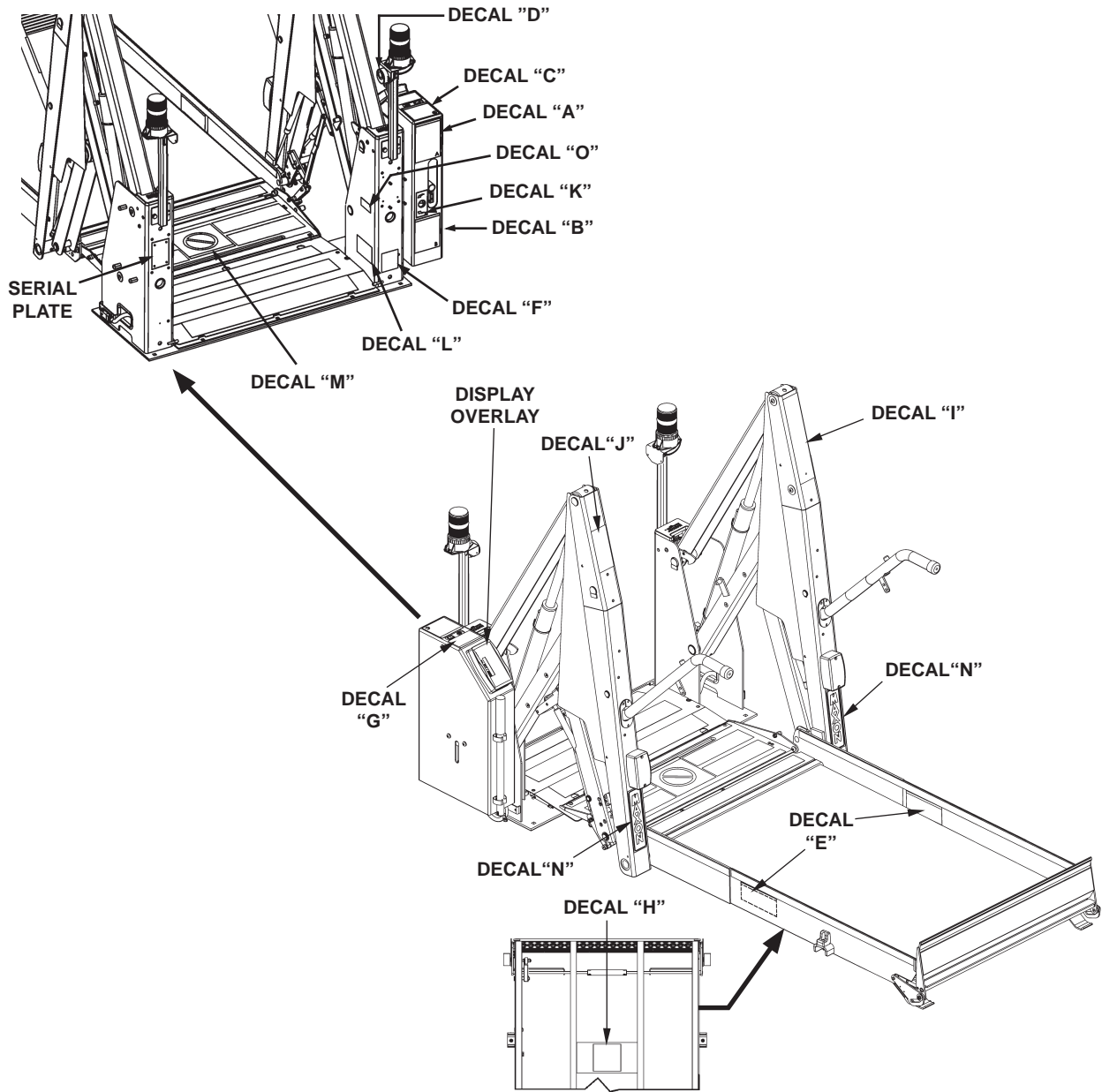


FIG. 14-1

All **WARNING**, **CAUTION**, and **OPERATION** decals provided with Wheelchair Lift must always be in place on the Lift and Vehicle (**see FIG. 52-1**), and must always be legible. If decals are missing or illegible, get free replacement decals from:

MAXON Lift Corp. - Customer Service
11921 Slauson Ave., Santa Fe Springs, CA 90670
Phone: (800) 227-4116 FAX: (888) 771-7713
E-mail: cservice@maxonlift.com

MAXON[®]

11921 Slauson Ave. Santa Fe Springs, CA. 90670 (800) 227-4116 FAX (888) 771-7713

BACKUP OPERATING INSTRUCTIONS FOR UNLOADING PASSENGERS DOT-PUBLIC USE LIFT

PIN 267620-01

BACKUP OPERATING INSTRUCTIONS FOR LOADING PASSENGERS DOT-PUBLIC USE LIFT

PIN 267620-01

WARNING

THIS WHEELCHAIR LIFT MUST BE OPERATED BY AN ATTENDANT. DO NOT ATTEMPT TO RIDE LIFT WITHOUT THE ASSISTANCE OF AN ATTENDANT. IMPROPER OPERATION OF THIS LIFT CAN RESULT IN SERIOUS PERSONAL INJURY. DO NOT OPERATE UNLESS YOU HAVE BEEN PROPERLY INSTRUCTED AND HAVE READ, AND ARE FAMILIAR WITH, THE OPERATING INSTRUCTIONS AND SAFETY SUMMARY CONTAINED IN THE OPERATOR'S MANUAL. IF YOU DO NOT HAVE A COPY OF THE OPERATOR'S MANUAL, ADDITIONAL COPIES ARE AVAILABLE FROM:

MAXON LIFT CORP.
11921 SLAUSON AVE
SANTA FE SPRINGS, CA 90670
(800) 227-4116
WWW.MAXONMOBILITY.COM

DO NOT EXCEED RATED LOAD CAPACITY OF LIFT WHICH IS:

800 lbs. (364 kg)

PIN 267620-01



OPERATING INSTRUCTIONS DOT-PUBLIC USE LIFT

UNFOLD LIFT:

- FULLY OPEN AND SECURE WHEELCHAIR DOOR(S).
- MAKE SURE SEAT BELT IS FASTENED IF EQUIPPED.
- PUSH FOLD SWITCH FOR 1-2 SECONDS.
- PUSH UNFOLD SWITCH TO VEHICLE FLOOR LEVEL.

LOAD PASSENGERS:

- PUSH DOWN SWITCH TO LOWER PLATFORM TO GROUND LEVEL.
- UNFASTEN SEAT BELT IF EQUIPPED.
- POSITION WHEELCHAIR IN THE CENTER OF PLATFORM AND LOCK WHEELCHAIR BRAKES.
- FASTEN SEAT BELT IF EQUIPPED.
- PUSH UP SWITCH TO RAISE PLATFORM TO VEHICLE FLOOR LEVEL.
- LOAD WHEELCHAIR IN VEHICLE.

UNLOAD PASSENGERS:

- POSITION WHEELCHAIR IN THE CENTER OF PLATFORM AND LOCK WHEELCHAIR BRAKES.
- MAKE SURE SEAT BELT IS FASTENED IF EQUIPPED.
- PUSH DOWN SWITCH TO LOWER PLATFORM TO GROUND LEVEL.
- UNFASTEN SEAT BELT IF EQUIPPED.
- RELEASE WHEELCHAIR BRAKES.
- UNLOAD WHEELCHAIR FROM PLATFORM.

STOW LIFT:

FROM VEHICLE FLOOR LEVEL

- MAKE SURE PLATFORM IS EMPTY AND SEAT BELT IS FASTENED IF EQUIPPED.
- PUSH FOLD SWITCH UNTIL PLATFORM FOLDS COMPLETELY. UNDER HYDRAULIC PRESSURE.

FROM GROUND LEVEL

- MAKE SURE PLATFORM IS EMPTY AND SEAT BELT IS FASTENED IF EQUIPPED.
- PUSH UP SWITCH TO RAISE PLATFORM TO VEHICLE FLOOR LEVEL.
- PUSH FOLD SWITCH UNTIL PLATFORM FOLDS COMPLETELY. UNDER HYDRAULIC PRESSURE.

PIN 267620-01

CAUTION

Prevent injury & damage to lift. Make sure Rollstop rests on top of Threshold Plate before loading & unloading passengers. Raise or lower Platform until Rollstop rests correctly on Threshold Plate.

PIN 267620-01



STANDING POSITION ON PLATFORM

Position a standing passenger in center of platform between handrails, gripping handrails, and facing direction of travel.

PIN 267620-01

Chassis Electrical Ground

The surface finish of this lift is powder coat paint. To insure a proper electrical ground to the vehicle chassis remove the paint from the area around the chassis grounding strap mounting bolt hole by grinding or sanding the surface to expose bare metal. Also, remove any undercoating from the surface of the vehicle chassis where the strap will be fastened.

PIN 267620-01

BACKUP OPERATION

- TO UNFOLD, OPEN VALVE SLOWLY
- TO LOWER, OPEN VALVE

CLOSE VALVE TIGHTLY

- TO STOP UNFOLDING
- TO STOP LOWERING
- TO RAISE & FOLD

PIN 267620-01

The MAXON Lift Corp. certifies that this wheelchair lift conforms to all applicable requirements of the Americans w/Disabilities Act of 1990, current National School Transportation Specifications and Procedures, and the California Code of Regulations requirements in effect on the date of manufacture.

PIN 267620-01

WARNING

To avoid possible injury, stand clear of the Lift Platform.

PIN 267620-01

DOT-Public Use Lift

PIN 267620-01

To automatically maintain hydraulic pressure when lift is stowed, keep power switch ON.

PIN 267620-01

CAUTION

To avoid possible injury and damage to equipment, never stand on Rollstop while Lift is operating.

PIN 267620-01

DECAL SET P/N 267620-01 FIG. 15-1

MAXON MOBILITY 11921 Slauson Ave. Santa Fe Springs, CA 90670 (800) 227-4116

DOWN: PLATFORM IS LOWERING TO THE GROUND
 FLOOR: PLATFORM IS AT VEHICLE FLOOR LEVEL
 FOLD: PLATFORM IS FOLDING TO STOW LIFT
 GROUND: PLATFORM IS ON THE GROUND
 STOWED: LIFT STOWED CORRECTLY - INTERLOCK SIGNAL SENT TO VEHICLE
 UNFOLD: PLATFORM IS UNFOLDING TO VEHICLE FLOOR LEVEL
 UP: PLATFORM IS RISING TO VEHICLE FLOOR LEVEL

FOR MORE DISPLAY READINGS, SEE DISPLAY READINGS DECAL ON (OR NEAR) WHEELCHAIR DOOR. TO USE THE READINGS FOR TROUBLESHOOTING THE LIFT, SEE TROUBLESHOOTING SECTION IN MAINTENANCE MANUAL MP-04-03.

PIN 267630-01

DECAL-OVERLAY P/N 267630-01 FIG. 15-2

MAXON MOBILITY PATENTS PENDING

SERIAL # _____

11921 SLAUSON AVE.
SANTA FE SPRINGS, CA 90670
800-227-4116 www.maxonmobility.com
MADE IN MEXICO

MODEL _____ CAPACITY _____ LBS.

MAY BE COVERED BY ONE OR MORE OF THE FOLLOWING PATENTS: 6,461,097 6,705,824

PIN 905246-8

SERIAL PLATE P/N 905246-8 FIG. 15-3

MAXON 11921 Slauson Ave. Santa Fe Springs, CA. 90670 (800) 227-4116 FAX (888) 771-7713

ANTI-SLIP & SAFETY STRIPING (30" WIDE PLATFORM)

MAXON[®]

11921 Slauson Ave. Santa Fe Springs, CA. 90670 (800) 227-4116 FAX (888) 771-7713

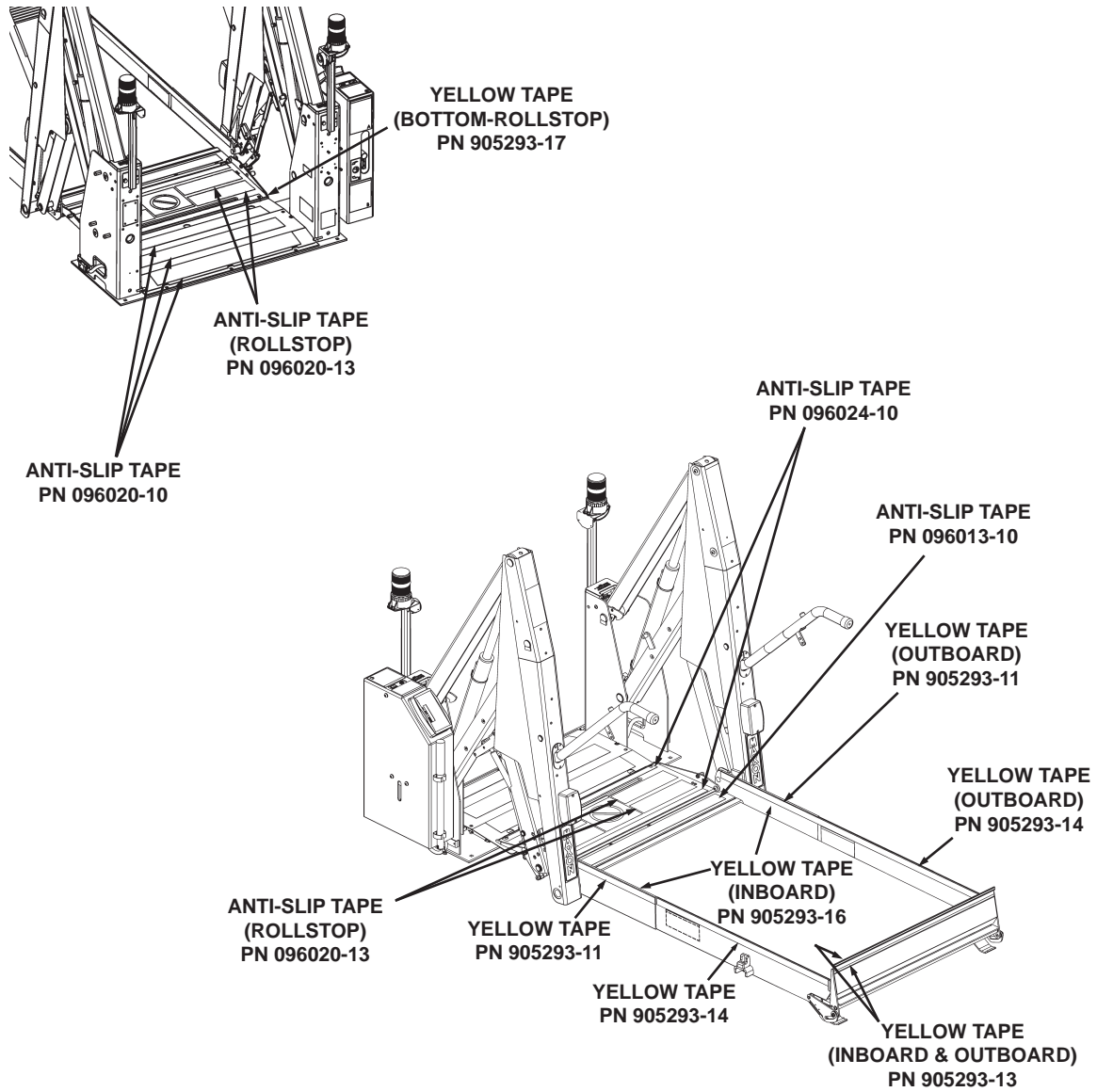


FIG. 16-1

(33" WIDE PLATFORM)

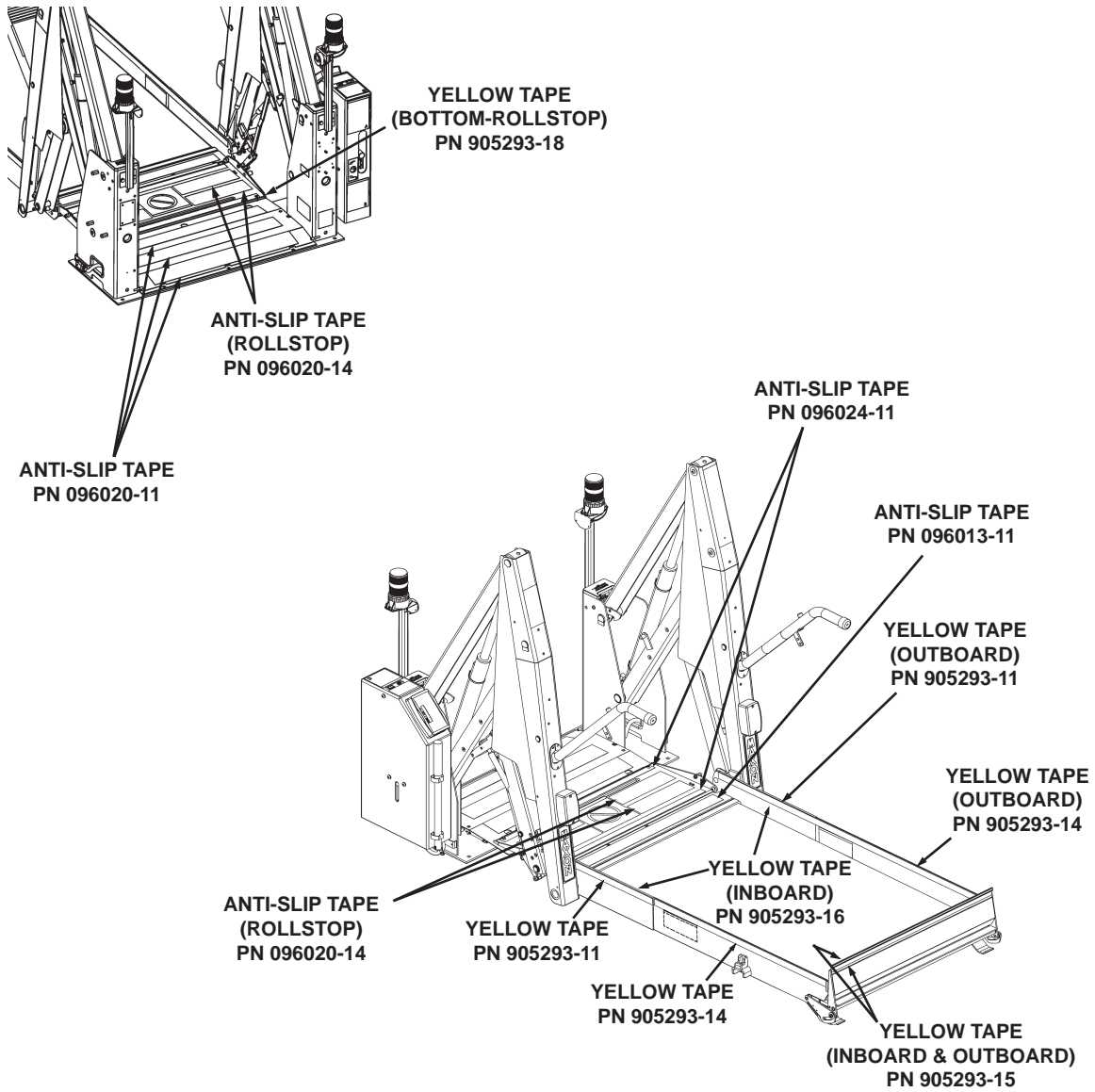


FIG. 17-1

MAXON[®] 11921 Slauson Ave. Santa Fe Springs, CA. 90670 (800) 227-4116 FAX (888) 771-7713

ANTI-SLIP & SAFETY STRIPING - Continued

(34" WIDE PLATFORM)

MAXON[®]

11921 Slauson Ave. Santa Fe Springs, CA. 90670 (800) 227-4116 FAX (888) 771-7713

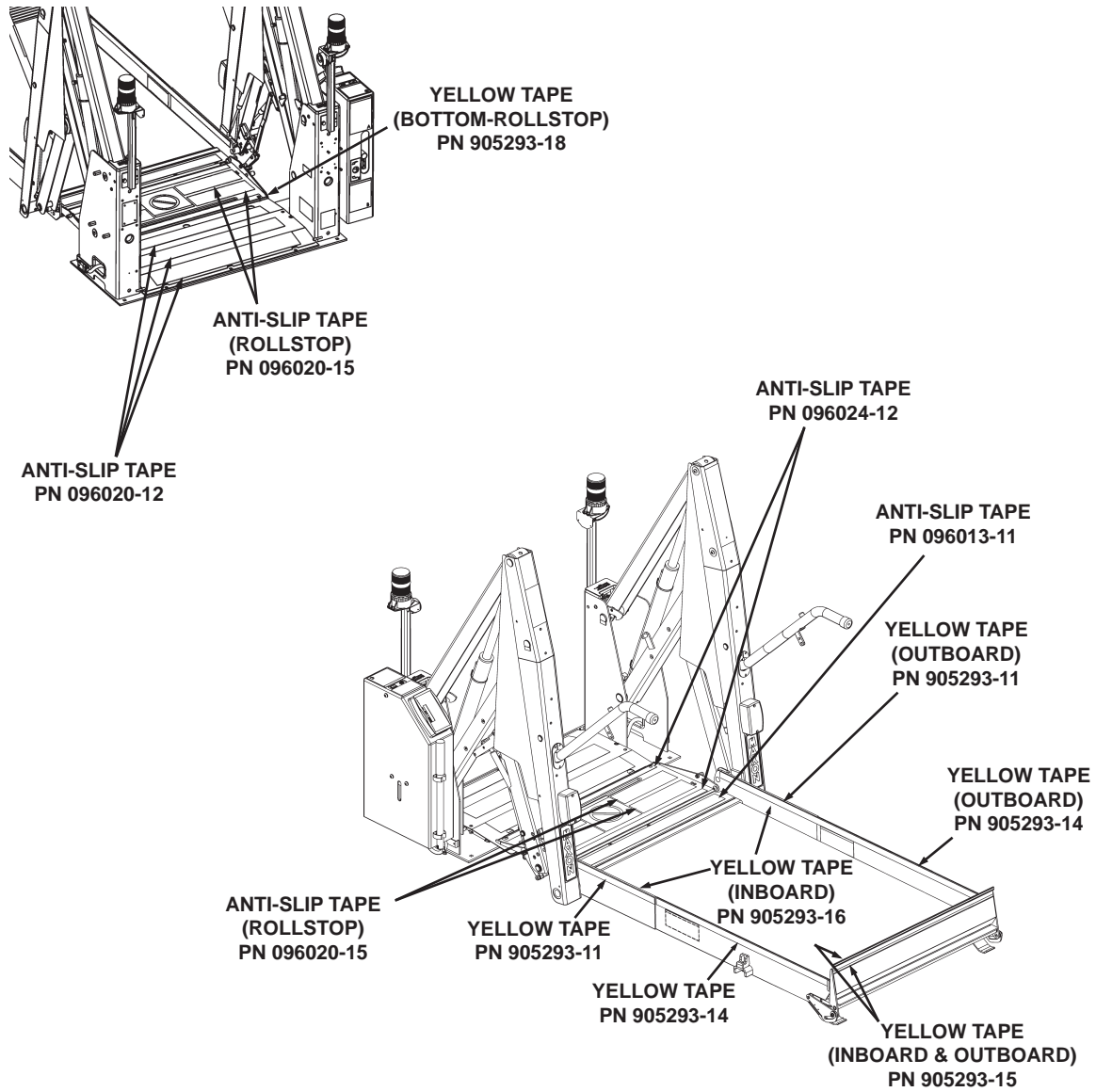


FIG. 18-1

LIFT INSTALLATION

INSTALLATION KIT

An installation kit is required to install Lift on your Vehicle. Refer to the Instruction Sheet, included with the Installation Kit, for specific instructions to fit the Lift to your Vehicle.

PREPARING AND POSITIONING THE LIFT

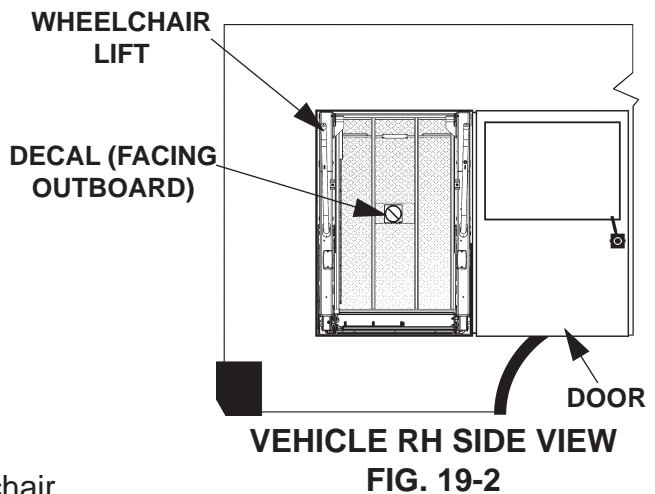
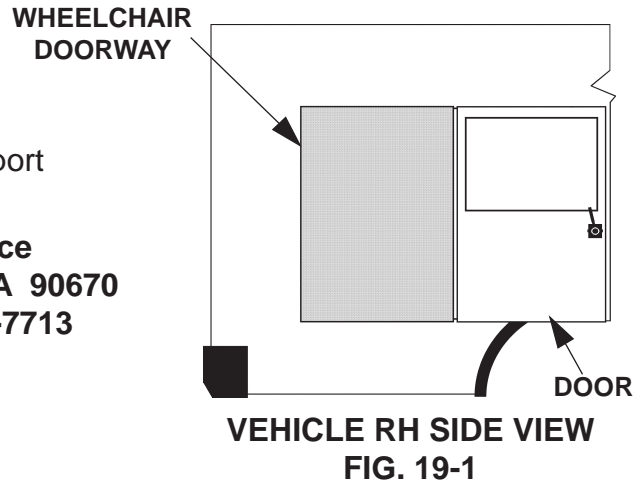
1. Make sure you have the correct model of Lift.

NOTE: Keep shipping straps on the Lift until Lift is bolted to Vehicle and power is connected.

2. Unpack the Lift and check for damage. Report damage to:

MAXON Lift Corp. - Customer Service
11921 Slauson Ave., Santa Fe Springs, CA 90670
Phone: (800) 227-4116 FAX: (888) 771-7713
E-mail: cservice@maxonlift.com

3. Open the Wheelchair door on vehicle (**FIG. 19-1**) in which Lift will be mounted. Secure the door wide open.
4. Check the Clearance Dimensions of your Vehicle before beginning installation. Refer to **VEHICLE REQUIREMENTS** section in this Installation Manual.
5. Using an appropriate lifting device that can safely lift 500 pounds, raise Lift to the Wheelchair doorway (**FIG. 19-2**). Align outboard edge of Lift Threshold Plate parallel with outboard edge of doorway. The decal on the underside of the Lift platform must face outboard (**FIG. 19-2**).
6. Position the Lift according to the clearance dimensions given in **VEHICLE REQUIREMENTS** section in this Installation Manual.
7. Remove lifting device. Then close Wheelchair Door. Enter the vehicle and check if the Wheelchair Door is closed correctly and if there is sufficient clearance. If door will not close correctly, reposition the Lift back enough to close the door and keep the minimum 3/4" clearance.
8. Secure vehicle door wide open (**FIG. 19-1**).



MAXON® 11921 Slauson Ave. Santa Fe Springs, CA. 90670 (800) 227-4116 FAX (888) 771-7713

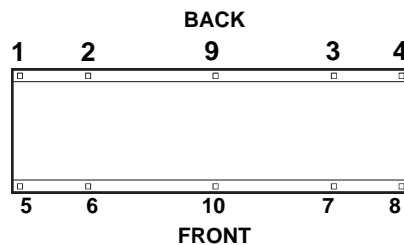
PREPARING AND POSITIONING THE LIFT - Continued

9. Check under the vehicle floor for possible interference between the Lift Base Plate mounting bolts and the vehicle underbody such as subframe members, wiring harnesses, cables, and fluid lines.

MOUNTING THE LIFT

NOTE: MAXON recommends using all 10 carriage screws (Kit items) to bolt Lift to Vehicle. At least 8 screws or bolts and use of holes 1, 2, 3, 4 & 9 are required for correct installation. Also, the front 3 holes should be selected to give a symmetrical bolt pattern (i.e. holes 5,10, & 8 or holes 6,10, & 7).

1. Use the Base Plate (**FIG. 20-1, holes 1-10**) to mark eight (8) to ten (10) 7/16" mounting holes through the vehicle floor. Drill holes 1, 2, 9, 3, and 4 now. Before drilling holes in the vehicle floor, make sure no wires and fluid lines are too close to hole locations.



**BASE PLATE BOLT
HOLE PATTERN
FIG. 20-1**

NOTE: Vehicle floor must meet the requirements shown at the beginning of the **VEHICLE REQUIREMENTS** section in this Installation Manual.

2. Position Lift so **holes 1-10** in the Base Plate (**FIG. 20-1**) are aligned with the correct holes, drilled in vehicle floor.
3. Temporarily secure Lift to Vehicle with two mounting bolts (Kit items), inserted through Base Plate holes 1 and 4, or holes 2 and 3 (**FIG. 20-1**). Use two lock nuts and correct under-vehicle supports (Kit items) to secure the Lift. Use instructions supplied with your Vehicles Installation Kit to select the correct bolts, nuts and supports. Alternately, tighten the two bolts and nuts to **20 to 30 LBS.-FT.**

MAXON[®]

11921 Slauson Ave. Santa Fe Springs, CA. 90670 (800) 227-4116 FAX (888) 771-7713

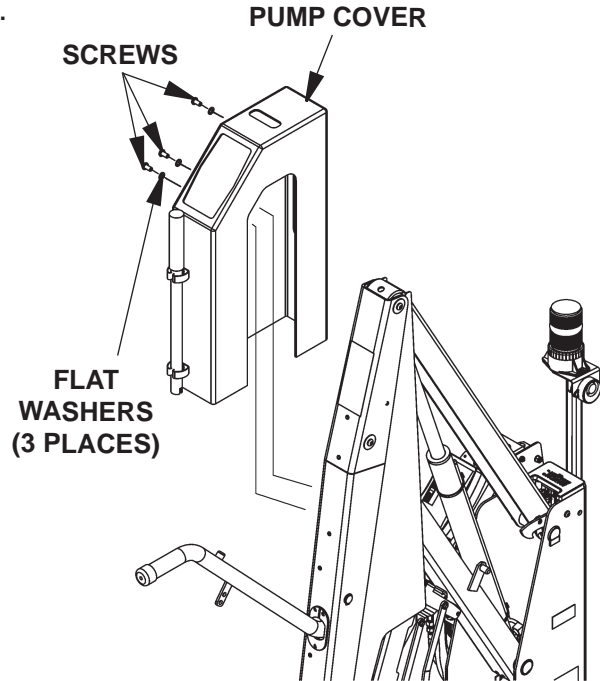
INSTALL MAIN CIRCUIT BREAKER

WARNING

To prevent personal injury and equipment damage, make sure power is disconnected from Liftgate while installing electrical parts.

NOTE: Apply dielectric grease on all electrical connections after all electrical cables are connected.

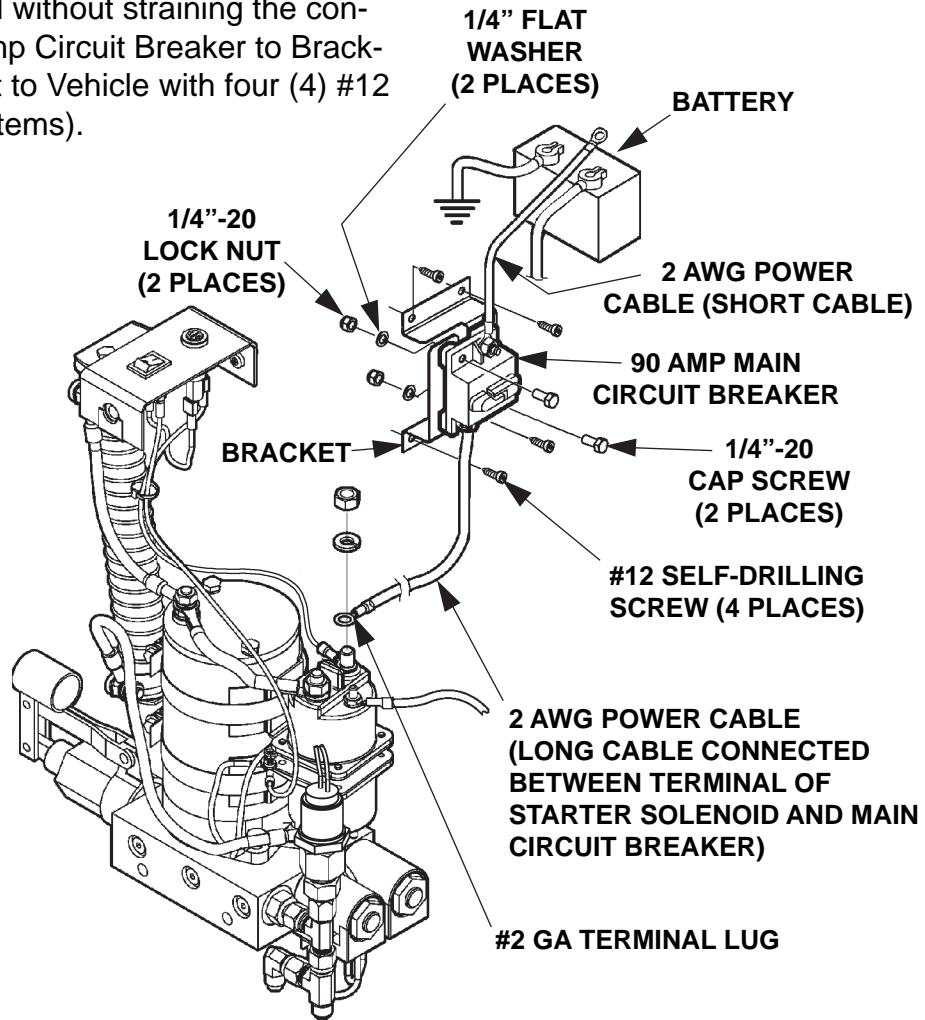
1. Unbolt & remove Pump Cover (**FIG. 21-1**).



**UNBOLTING PUMP COVER
(LH PUMP SHOWN)
FIG. 21-1**

INSTALL MAIN CIRCUIT BREAKER - Continued

- Attach 90 Amp Main Circuit Breaker (Kit item) to Vehicle so Power Cable (Kit item) is within reach of the battery, as follows. Find a place to attach Bracket (**FIG. 22-1**). (Consider that the Power Cable must reach between 90 Amp Circuit Breaker and (+) battery terminal without straining the connections.) Attach 90 Amp Circuit Breaker to Bracket. Then attach Bracket to Vehicle with four (4) #12 selfdrilling screws (Kit items).



**MAIN CIRCUIT BREAKER & CABLING
FIG. 22-1**

- Connect one end of Power Cable to 90 Amp Main Circuit Breaker (**FIG. 22-1**). Keep battery end disconnected until instructed to connect to the battery.
- Next connect one end of long Power Cable to 90 Amp Main Circuit Breaker (**FIG. 22-1**). Then go on to the next page for instructions on routing the Power Cable to the Lift.

MAXON[®]

11921 Slauson Ave. Santa Fe Springs, CA. 90670 (800) 227-4116 FAX (888) 771-7713

ROUTE/CONNECT MAIN POWER CABLE, INTERLOCK CABLE, GROUND CABLE, & HAND CONTROL

! CAUTION

Never route an energized wire. Make sure the battery is disconnected. Always route electrical wire clear of any moving parts, brake lines, sharp edges, and exhaust systems. Never route power cable next to a wiring harness on the vehicle. Do not loop excess cable. Cut the cable to fit, and leave slack. Attach securely. If drilling is necessary, be sure to check underside of vehicle before drilling so you do not damage any fuel lines, vent lines, brake lines or wires. When routing electrical wire through a hole in vehicle floor, use supplied grommet to protect wires from chafing.

1. Locate and drill a 1-5/16" hole through the vehicle floor (**FIG. 23-1**). Drill the hole in a location that will be hidden by the Pump Cover and that will allow Power Cable to be routed to Starter Solenoid #2 (**FIG. 23-1**). Since the Interlock System wiring from the Lift also branches out in that area, locate the hole so the 3-conductor Interlock system cable can be routed from the Lift, through the vehicle floor, to the Vehicle Safety Interlock. Install the plastic grommet (**FIG. 23-1**) on the vehicle floor with 2 of the #12 self-drilling screws.

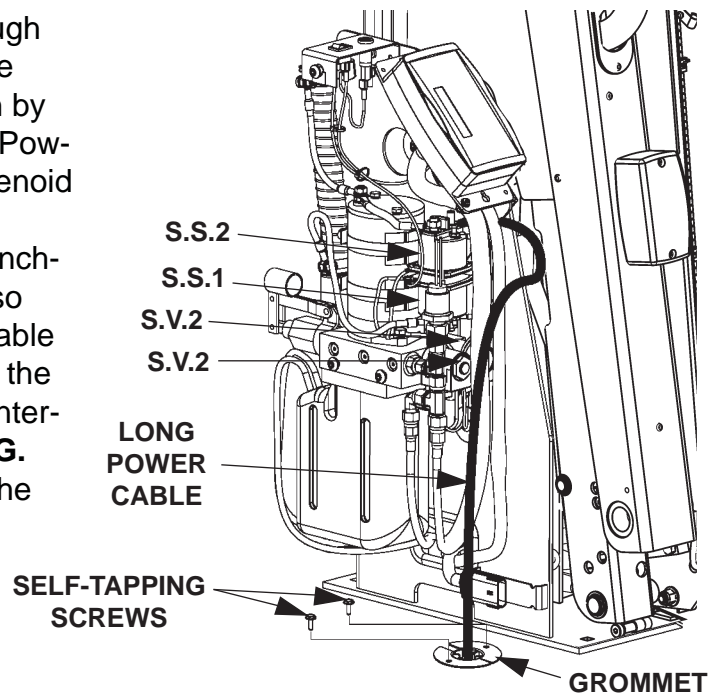
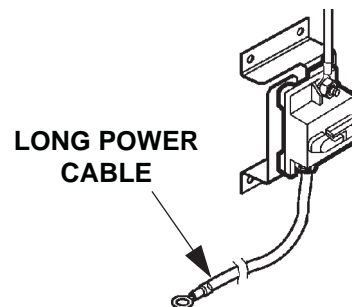


FIG. 23-1

2. Route the long Power Cable (Kit item) from Main Circuit Breaker (**FIG. 23-2**), underneath Vehicle floor, and then to Starter Solenoid (**S.S. 2**)(**FIG. 23-1**).



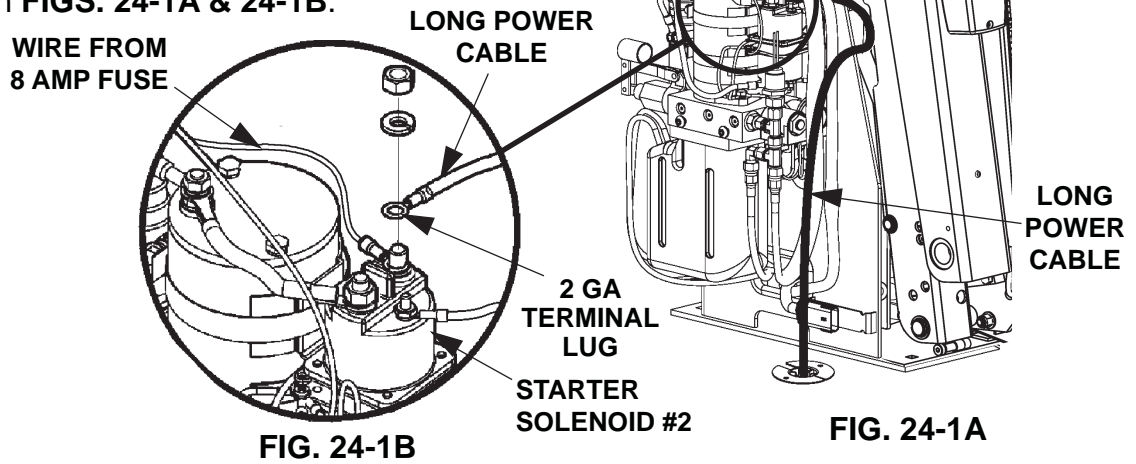
**90 AMP MAIN
CIRCUIT BREAKER
FIG. 23-2**

3. Secure power cable every 8"-10". Bind the power cable to the Pump wiring or Mounting Plate using cable ties.

ROUTE/CONNECT MAIN POWER CABLE,

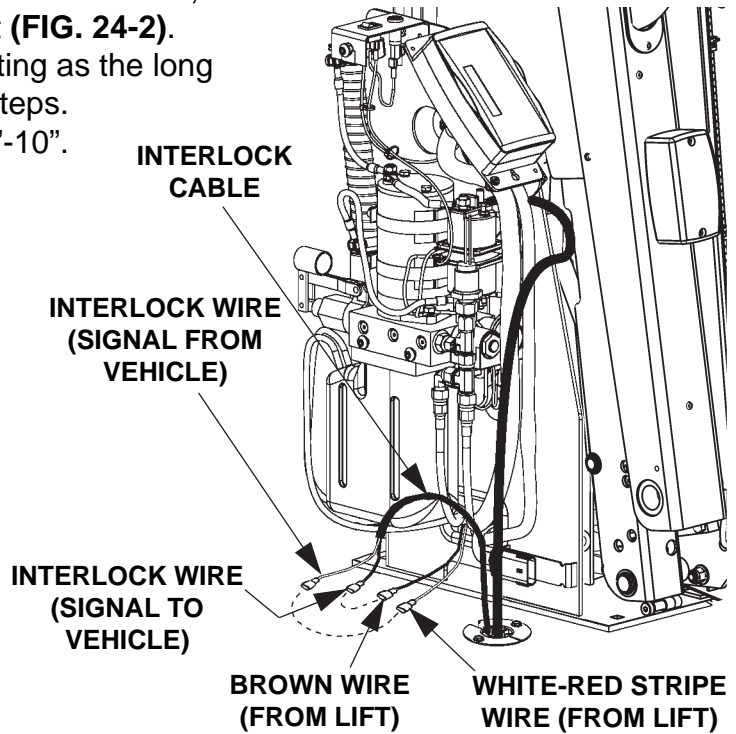
3-WIRE CABLE, GROUND CABLE, & HAND CONTROL - Continued

4. Cut any excess wire from long Power Cable. Strip 1/2" insulation from the cut end and install 2 GA terminal lug and shrink tubing. Connect the cable terminal to the solenoid terminal stud as shown in **FIGS. 24-1A & 24-1B**.

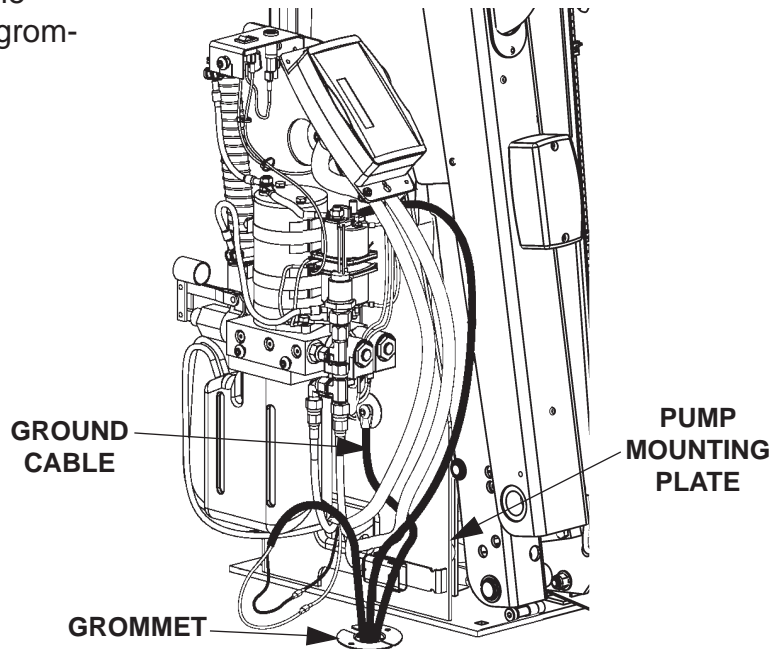


5. Route the Interlock Cable from Safety Interlock System on the Vehicle, underneath Vehicle Floor, through grommet, and up to the Lift (**FIG. 24-2**). If possible, use the same cable routing as the long Power Cable installed in previous steps. Secure the Interlock Cable every 8"-10".

6. Make sure Interlock Cable will reach the White-Red Stripe wire (Interlock Signal from Vehicle) and the Brown wire (Interlock Signal to Vehicle) on the Lift (**FIG. 24-2**). Signal may be ground or V+. Connect the Interlock wires from the Vehicle Interlock System to the White-Red Stripe wire and Brown wire on the Lift (**FIG. 24-2**).



- Uncoil the Ground Cable. Route the Ground Cable on the Lift through grommet in Vehicle floor (**FIG. 25-1**).



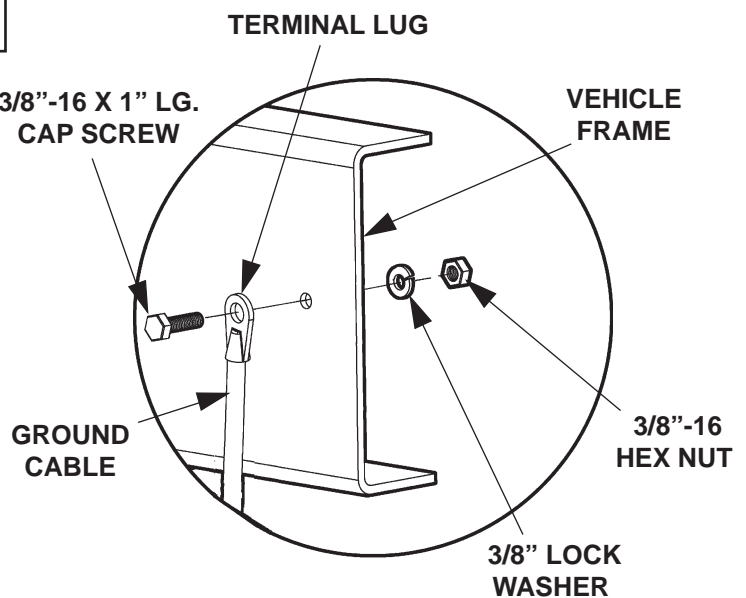
**GROUND CABLE ROUTED FROM LIFT
FIG. 25-1**

NOTE: Clean the ground cable connection point, on the frame, down to bare metal.

NOTE: Apply dielectric grease to all electrical connections.

- Extend the Ground Cable to reach Vehicle frame (**FIG. 25-2**). Drill a 13/32" (0.406") hole in Vehicle frame for bolting the Ground Cable terminal lug (**FIG. 25-2**).

- Bolt the Ground Cable terminal lug to Vehicle frame with correct 3/8"-16 cap screw, lock washer, and hex nut from Kit (**FIG. 25-2**).



**BOLTING GROUND CABLE
TO VEHICLE FRAME
FIG. 25-2**

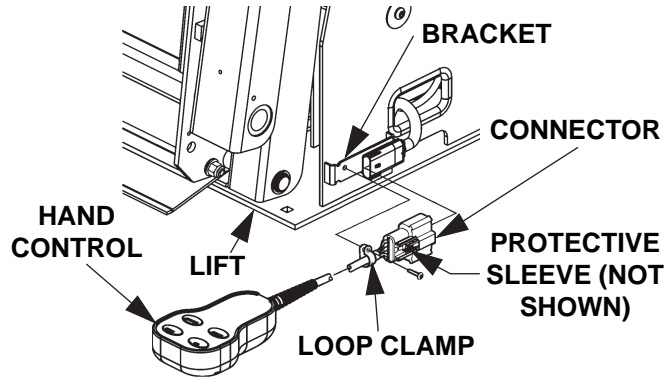
ROUTE/CONNECT MAIN POWER CABLE,

3-WIRE CABLE, GROUND CABLE, & HAND CONTROL - Continued

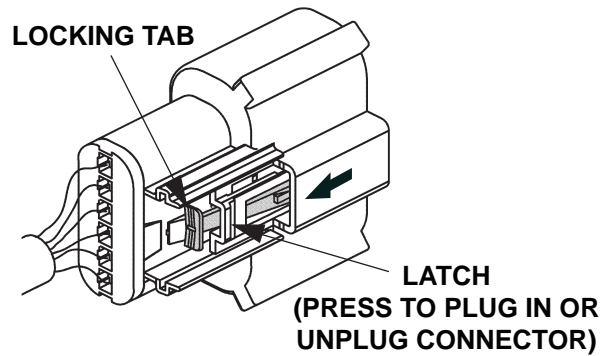
⚠ CAUTION

To prevent vehicle access door from pinching and damaging the Hand Control cable, secure cable away from the door frame. Also, be sure that the hand control cable does not interfere with or bind against moving parts.

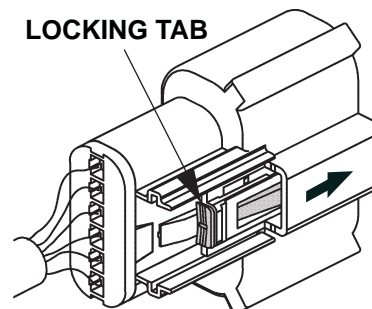
10. Connect the Hand Control cable as follows (FIG. 26-1). Move the Protective Sleeve to expose connector (FIGS. 26-1 and 26-2). Unlock the Locking Tab (FIG. 26-2). Then press Latch (FIG. 26-2) and plug in the connector (RH or LH side of Lift) (FIG. 26-1). Lock the Locking Tab (FIG. 26-3).



**CONNECTING HAND CONTROL CABLE
(RH SIDE CONNECTION SHOWN)
FIG. 26-1**

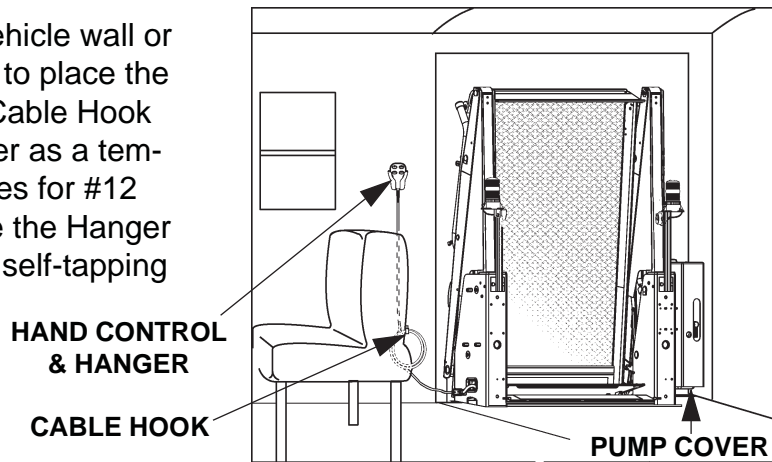


**CONNECTOR WITH UNLOCKED TAB
FIG. 26-2**



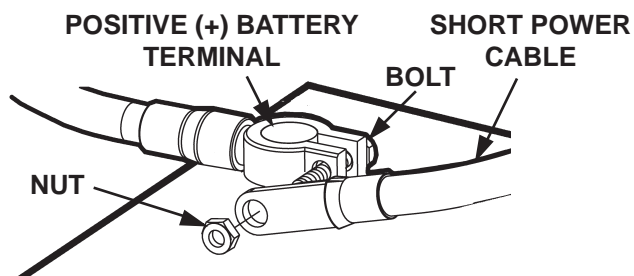
**CONNECTOR WITH LOCKED TAB
FIG. 26-3**

11. Find accessible place on Vehicle wall or Wheelchair Door (near Lift) to place the Hand Control Hanger and Cable Hook (**FIG. 27-1**). Use the Hanger as a template to mark and drill 2 holes for #12 self-tapping screws. Secure the Hanger to Vehicle with 2 of the #12 self-tapping screws (Parts Box items). Mark and drill a hole for #10 self-tapping screw. Then secure Cable Hook to Vehicle with #10 self-tapping screw (Parts Box item).



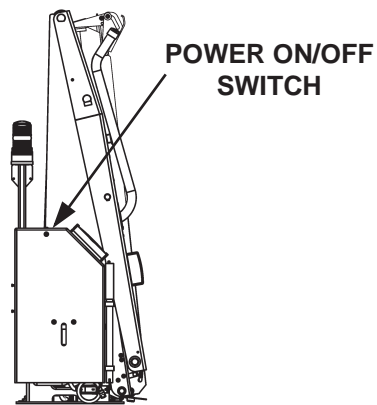
**TYPICAL LOCATION (INSIDE VEHICLE)
FOR STOWING HAND CONTROL.
FIG. 27-1**

13. Connect short Power Cable to Vehicle Battery as follows. Remove nut from positive (+) battery terminal connector (**FIG. 29-1**). Connect the Power Cable. Reinstall nut.



CONNECTING POWER TO LIFT (TYPICAL)
FIG. 29-1

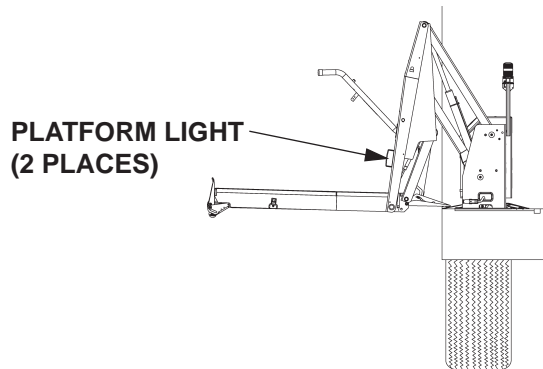
14. Turn **ON** power ON/OFF switch on Pump Cover to power the Lift (**FIG. 29-2**). Ensure switch illuminates when power is **ON**. Briefly press the **FOLD** button on Hand Control to pressurize hydraulic system. Remove remaining shipping straps.



STOWED LIFT - LH SIDE SHOWN
FIG. 29-2

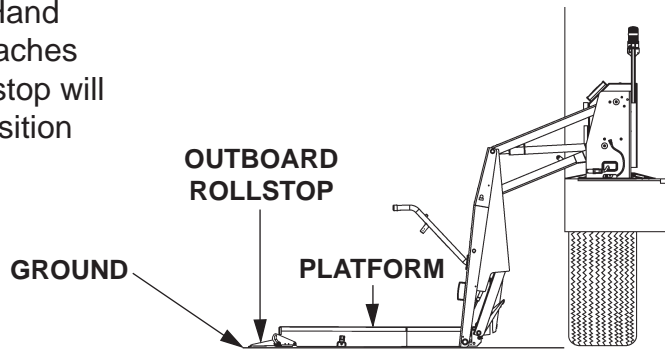
**ROUTE/CONNECT MAIN POWER CABLE,
3-WIRE CABLE, GROUND CABLE, & HAND CONTROL - Continued**

15. Press the **UNFOLD** button on Hand Control to unfold Lift (**FIG. 30-1**). Platform lights will turn on when Platform is at floor level.



**LIFT AT FLOOR LEVEL
FIG. 30-1**

16. Next press **DOWN** button on Hand Control. When the Platform reaches the ground, the Outboard Rollstop will automatically open to ramp position (**FIG. 30-2**).



**PLATFORM LOWERED TO
GROUND LEVEL
FIG. 30-2**

17. Install the remaining bolts, lock nuts, and under-vehicle supports supplied with your Installation Kit. Use the Instruction Sheet (Kit item) for information to install the remaining Kit items correctly.

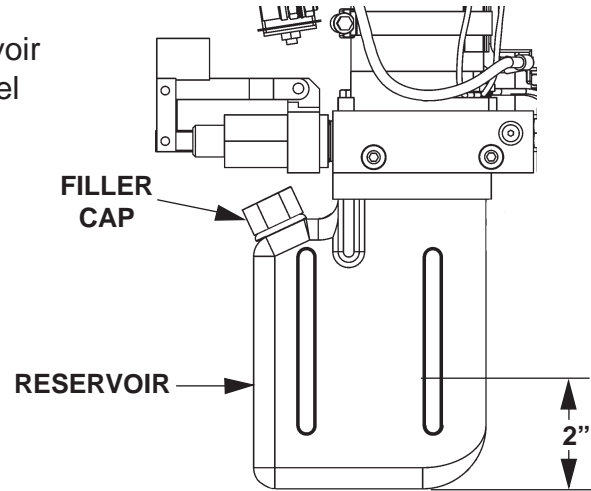
NOTE: Lift installation is not complete until all the instructions in this manual, your Installation Kit instructions, and the checks and adjustments that follow (in this manual) are completed.

CHECKING HYDRAULIC FLUID LEVEL

CAUTION

Keep dirt, water and other contaminants from entering the hydraulic system. Before opening the hydraulic fluid reservoir filler cap, drain plug and hydraulic lines, wipe off contaminants that can get in the openings. Also, protect the openings from accidental contamination.

1. Check the Hydraulic Fluid level in Reservoir as follows. With Liftgate stowed, fluid level should be as shown in **FIG. 31-1**.
2. If needed, add fluid to the Reservoir as follows. Pull out (no threads) Filler Cap (**FIG. 31-1**). Fill the Reservoir with Hydraulic Fluid (**TABLE 31-1**) to level shown in **FIG. 31-1**. Reinstall Filler Cap (**FIG. 31-1**).

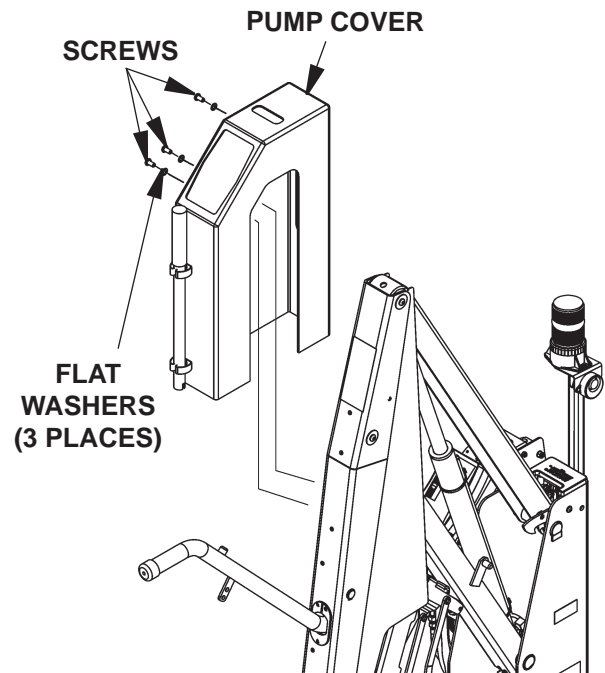


HYDRAULIC FLUID LEVEL
(LH PUMP SHOWN)
FIG. 31-1

RECOMMENDED HYDRAULIC FLUID	
BRAND	PART NUMBER
ROSEMEAD	THS FLUID 17111
EXXON	UNIVIS HVI 26

TABLE 31-1

3. Bolt on the Pump Cover as shown in **FIG. 31-2**. Tighten the 5/16"-18 cover screws until snug.



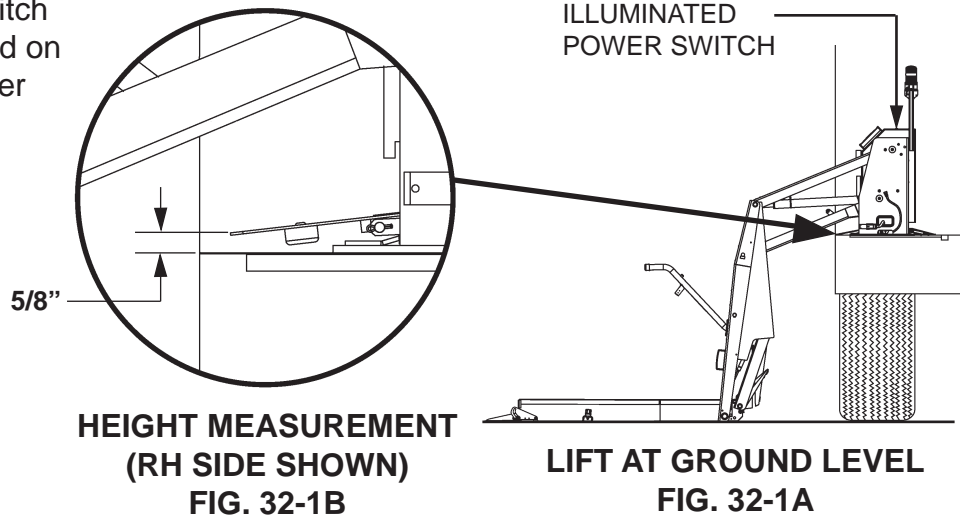
BOLTING ON THE PUMP COVER
(LH PUMP SHOWN)
FIG. 31-2

MAXON® 11921 Slauson Ave. Santa Fe Springs, CA. 90670 (800) 227-4116 FAX (888) 771-7713

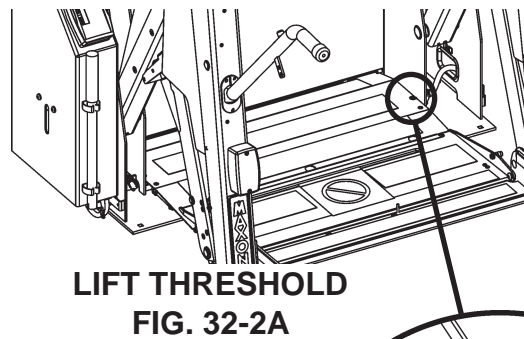
ADJUSTMENTS

MAT SWITCH ADJUSTMENT (IF REQUIRED)

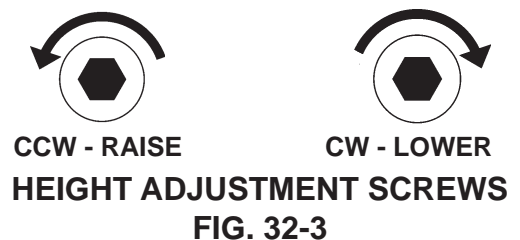
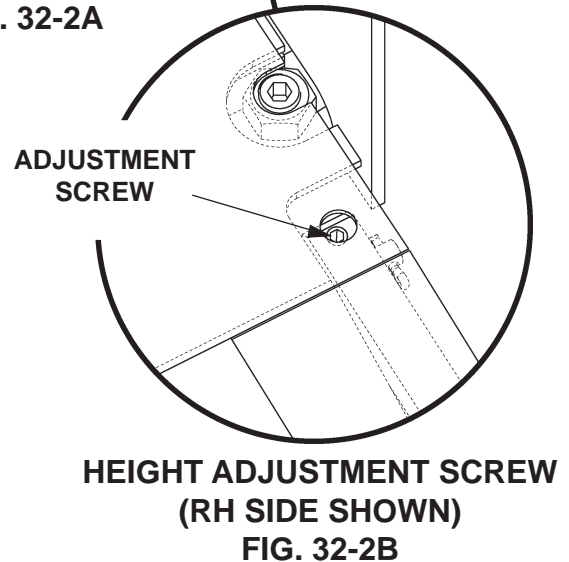
1. Make sure power switch (FIG. 32-1A) is turned on and illuminated. Lower Lift to the ground (FIG. 32-1A).



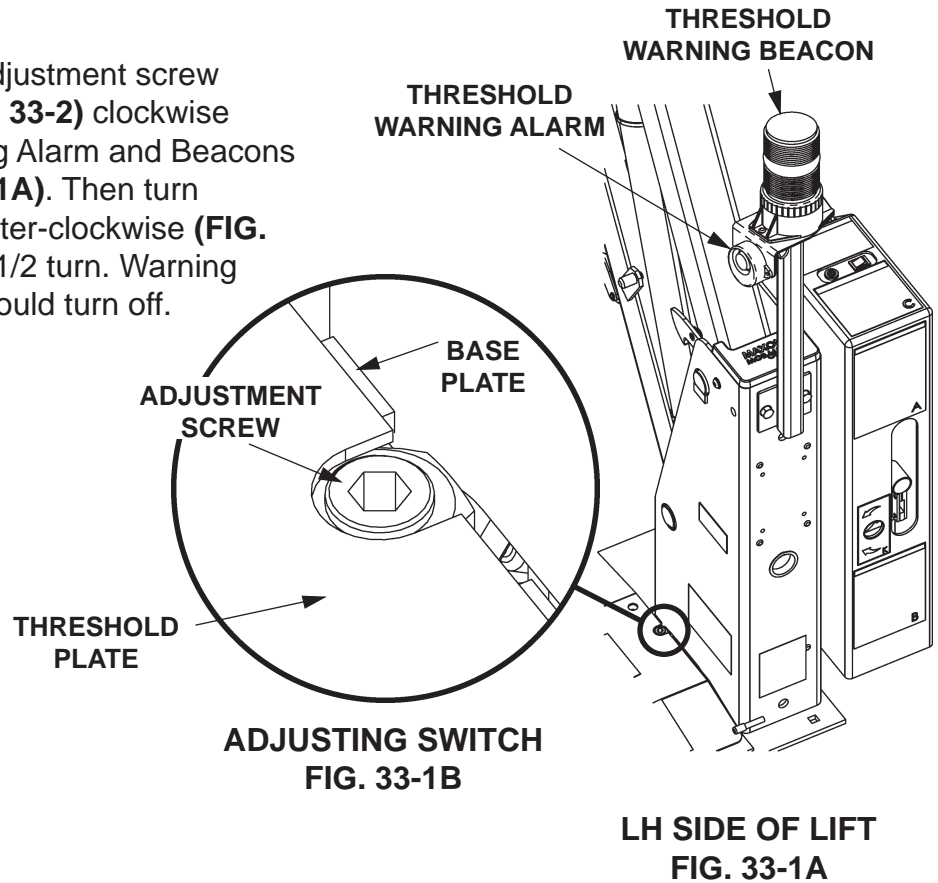
2. Measure the height of the Threshold Plate as shown in (FIG. 32-2B). If the height is not 5/8", do step 3. If the height is already 5/8", skip step 3, and go on to step 4.



3. Set edge of the Threshold Plate to 5/8" height by turning the adjustment screw on the RH Side of Threshold plate (FIG. 32-2B). Turn adjustment screw counter-clockwise (FIG. 32-3) to raise Threshold Plate or clockwise to lower. Repeat for LH Side of Threshold Plate. Alternately measure height (see step 2) and turn the adjustment screw on RH Side and LH Side until the entire edge of Threshold plate is at the 5/8" height.



- Turn the MAT switch adjustment screw (FIGS. 33-1B and FIG. 33-2) clockwise until Threshold Warning Alarm and Beacons are activated (FIG. 33-1A). Then turn adjustment screw counter-clockwise (FIG. 33-2) approximately 1-1/2 turn. Warning Alarm and Beacons should turn off.



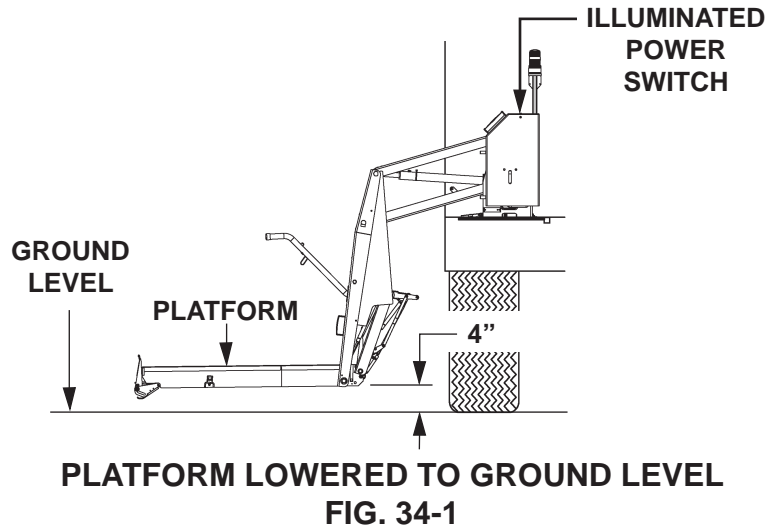
- Step on Threshold Plate. Warning Alarm and Beacons should activate. If the Warning Alarm and Beacons do not activate, turn Adjustment Screw (FIGS. 33-1B and 33-2) clockwise, a little. Repeat until Warning Alarm and Beacons activate when you step on Threshold Plate and turn off when you step off Threshold Plate.

MAXON[®] 11921 Slauson Ave. Santa Fe Springs, CA. 90670 (800) 227-4116 FAX (888) 771-7713

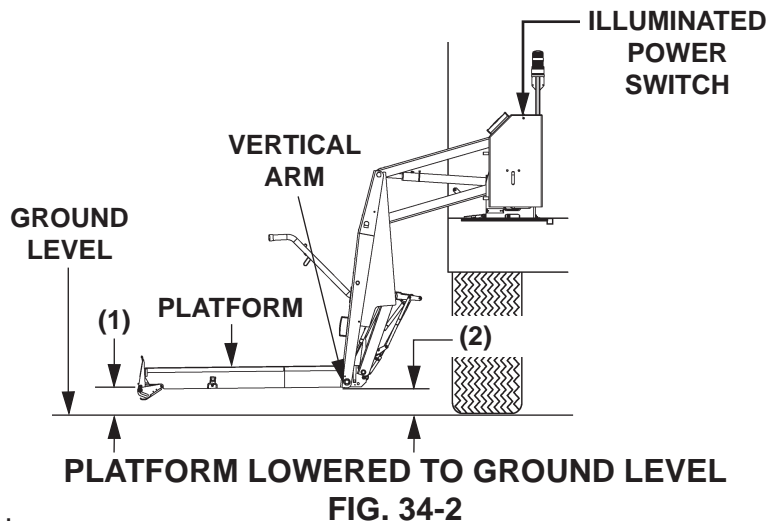
PLATFORM TILT ADJUSTMENT (IF REQUIRED)

NOTE: The platform tilt adjustment is important for operation of the Outboard Rollstop and for keeping Platform level when it reaches the ground. Vehicle floor height, Lift installation angle, and stiffness of the Vehicle suspension may change the angle of Platform on the ground.

1. Make sure power switch (FIG. 34-1) is turned on and illuminated. Lower the Platform and stop approximately 4" above ground.



2. Measure distance from front of the Platform (1) to the ground (FIG. 34-2). Next measure the distance from the bottom of the Vertical Arm (2) to the ground (FIG. 34-2).

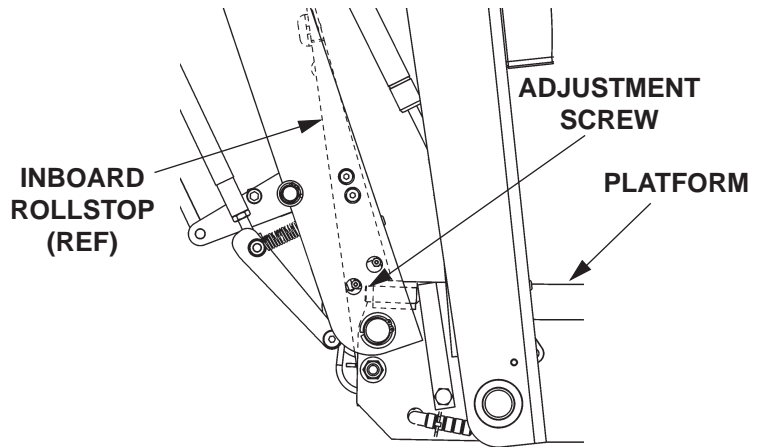


3. The measurement at the Vertical Arm (2) must be 1/2" - 1" higher than the measurement at the front of Platform (1). For example: If you measure 4" at the front (1), then you should measure from 4-1/2" to 5" at the Vertical Arm (2). If there is not a 1/2" - 1" difference, do instruction 4 to get the correct measurement.

MAXON[®]

11921 Slauson Ave. Santa Fe Springs, CA. 90670 (800) 227-4116 FAX (888) 771-7713

4. To ensure proper leveling, turn PLATFORM TILT adjustment screws (**FIG. 35-1**) an equal amount, on both sides of Platform. Turn adjustment screws clockwise (**FIG. 35-2**) to tilt the Platform up or counter-clockwise to tilt Platform down.



**PLATFORM TILT ADJUSTMENT SCREW
(RH SIDE OF PLATFORM SHOWN)
FIG. 35-1**



**CW - PLATFORM
TILT UP**



**CCW - PLATFORM
TILT DOWN**

**PLATFORM TILT ADJUSTMENT SCREWS
FIG. 35-2**

SYSTEM DIAGRAMS

HYDRAULIC SYSTEM DIAGRAM

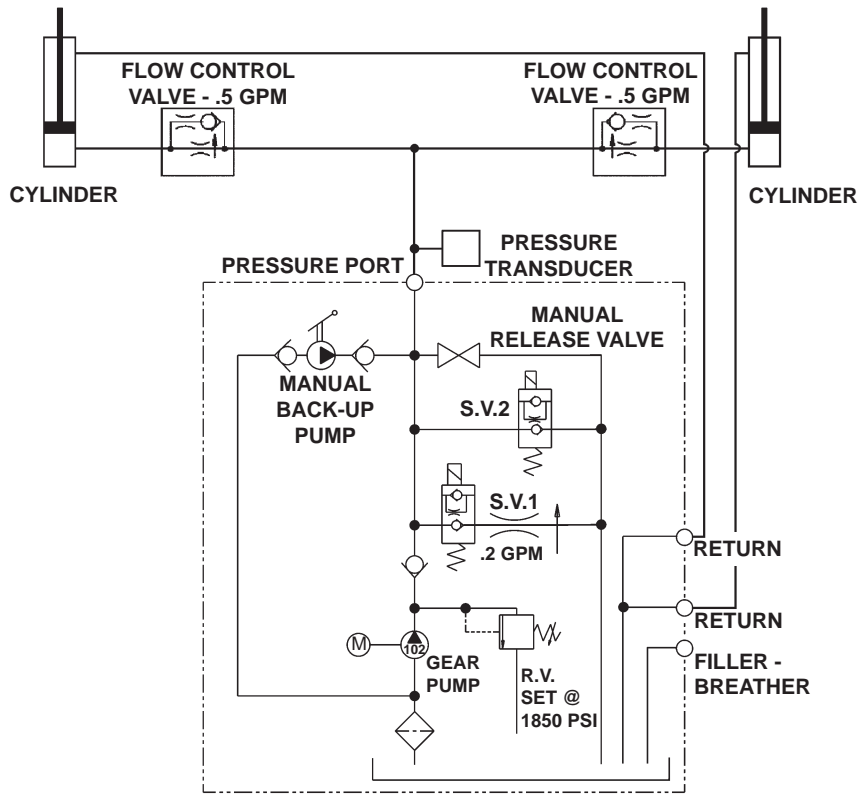


FIG. 36-1

MAXON[®]

11921 Slauson Ave. Santa Fe Springs, CA. 90670 (800) 227-4116 FAX (888) 771-7713

ELECTRICAL SYSTEM DIAGRAM

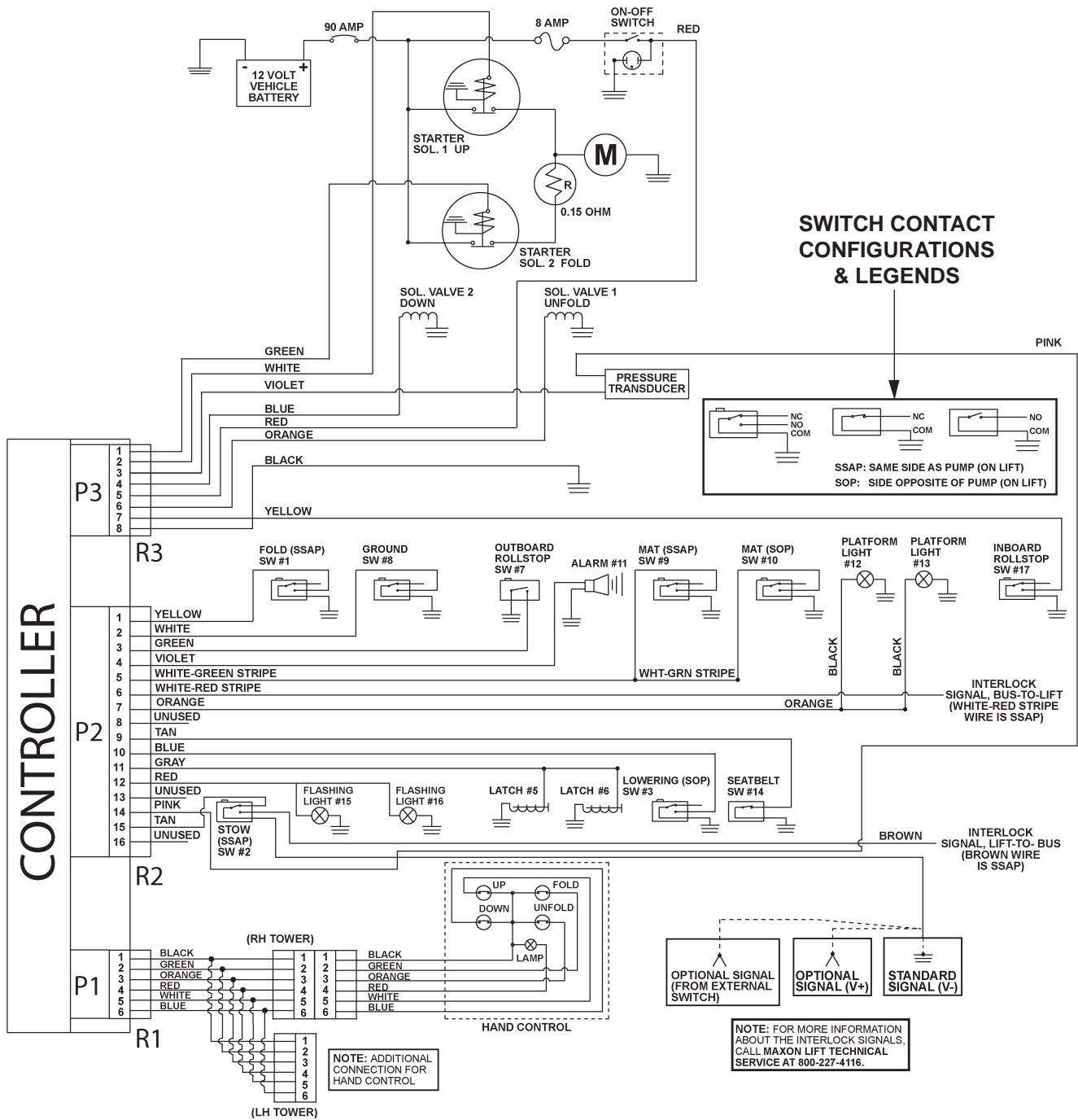


FIG. 37-1

11921 Slauson Ave. Santa Fe Springs, CA. 90670 (800) 227-4116 FAX (888) 771-7713
MAXON

MAXON[®]

11921 Slauson Ave. Santa Fe Springs, CA. 90670 (800) 227-4116 FAX (888) 771-7713

THIS PAGE INTENTIONALLY LEFT BLANK

COMPLETED LIFT INSTALLATION CHECKLIST

1. Make sure vehicle is still parked on level ground. If vehicle is equipped with a parking brake, set the parking brake. If equipped with locking service brake, set the service brake and make sure vehicle is shifted to park or neutral.

Start vehicle engine.

Turn on Wheelchair Lift power switch (if equipped) at the vehicle driver's station.

If equipped, make sure Occupant Restraint Belt is buckled on Lift.

Make sure Lift is stowed.

2. Turn **ON** power switch at the Lift. Record **CYCLE COUNT** _____ and **LIFT COUNT** _____ indicated on Lift Controller.

WARNING

The following procedure requires checking equipment on the vehicle while the vehicle is in drive and parking brake is released. A qualified vehicle operator is needed inside the vehicle at the driver's station. A second qualified operator is required outside the vehicle to operate the Wheelchair Lift. To prevent accidental injury and equipment damage, chock the vehicle wheels and get a second qualified vehicle operator to help you do the procedure.

Chock the vehicle wheels.

Check Vehicle Safety Interlocks:

3. Make sure the interlock system prevents Lift from being unstowed, when vehicle is set to move under its own power. Release the vehicle brakes and/or shift vehicle to a drive gear (**DRIVE** or **REVERSE**). Controller on the Lift should display **LOCKED**. Try to unfold Lift with the **UNFOLD** button on hand control. Lift must not unfold from stowed position when vehicle is set to move under its own power.
4. Make sure the interlock system prevents vehicle from moving under its own power, when the Lift is unstowed. Shift vehicle to **PARK** or **NEUTRAL**, and/or set parking brake/ service brake as required for your vehicle interlock system. Lift Controller should display **STOWED ***. Use the **UNFOLD** button on hand control to unfold the Lift. Release the **UNFOLD** button when the Controller displays **UNFOLD**. Try to move vehicle under its own power by shifting into **DRIVE** and/or releasing parking brake/service brake. Vehicle must not be able to shift into **DRIVE** and/or parking brake/service brake must not release when Lift is unstowed. Make sure vehicle is in **PARK** or **NEUTRAL**, and/or parking brake/service brake is set as required for your vehicle interlock system. Use the **FOLD** button to stow the Lift. The Lift Controller displays **STOWED *** when Lift is stowed and interlock is working correctly.

Check Lift Operation:

NOTE: Keep off the Threshold Plate until instructed to stand on it.

5. Make sure the Lift unfolds all the way to vehicle floor level. Press the **UNFOLD** button on hand control to unfold Lift. Release the **UNFOLD** button when:
- Platform stops unfolding at vehicle floor level
 - Inboard Rollstop is lowered to the Threshold Plate
 - Platform Lights are illuminated.
- The Lift Controller displays **UNFOLD & FLOOR** as Lift moves from stowed position to vehicle floor level.
6. Make sure the Occupant Restraint Belt works correctly on the Lift, if equipped. First unbuckle the Belt. Then press the **DOWN** button on the hand control. Lift must not move. Buckle the Occupant Restraint Belt before proceeding to the next check.
7. Make sure the Threshold Warning Beacons light up and the Alarm sounds when:
- Threshold Plate is occupied
 - Lift is moving down
- Stand on the Threshold Plate and press the **DOWN** button on the hand control. The Controller displays **DOWN** as the Lift starts lowering. After the Platform is lowered approximately 1" (25mm) below floor level:
- Threshold Warning Beacons must light up
 - Alarm must sound
 - Controller must display **MAT ERR**
- Move off the Threshold Plate into the vehicle before proceeding to the next check.

COMPLETED LIFT INSTALLATION CHECKLIST

-Continued

- 8. Make sure Platform lowers all the way to the ground and Platform lights are illuminated while Platform is lowering. Press **DOWN** button on the hand control to lower Platform to the ground. As the Platform is lowering:
 - Controller must display **DOWN**
 - Platform lights must be illuminated
 When the Platform reaches the ground:
 - Controller must display **GROUND**
 - Outboard Rollstop must lower to the ground

- 9. Make sure Platform will not raise more than 3" above the ground if the Outboard Rollstop is not up all the way. Stand on the Outboard Rollstop to keep it from moving to the up position. Press **UP** button on hand control to raise Platform. As the Platform is raising:
 - Controller must display **OUTBD SW**
 - Platform must stop raising at no more than 3" above the ground
 Press the **DOWN** button on the hand control to lower Platform to the ground. Move off the Outboard Rollstop before proceeding to the next check.

- 10. Make sure Platform raises from the ground all the way to vehicle floor level and Platform lights are illuminated while Platform is raising. Press **UP** button on the hand control to raise Platform to vehicle floor level. As the Platform is raising:
 - Controller must display **UP**
 - Platform lights must be illuminated
 When the Platform reaches vehicle floor level:
 - Controller must display **FLOOR**
 - Platform lights must still be illuminated

- 11. Make sure Platform cannot be folded if occupied. Place a 50 pound weight on the Platform, on the end closest to the Inboard Rollstop. Press **FOLD** button on the hand control.
 - Platform must not fold
 - Controller must display **OCCUPIED**
 Step off the Platform into the vehicle before proceeding to the next check.

- 12. Make sure Lift folds into the stowed position and Platform lights turn off. Press **FOLD** button on the hand control until the Lift is in stowed position and stops folding.
 - Controller must display **FOLD**
 - Platform lights must be turned off
 - Controller must display **STOWED** * when Lift is stowed

- 13. Turn the power switch on the Lift Controller **OFF** and then **ON** again. Check and record **CYCLE COUNT** _____ and **LIFT COUNT** _____ indicated on Lift Controller. Both counters must indicate one more count than recorded at the beginning of Checklist.

- Check Manuals and Decals Supplied with the Lift:**

 14. All decals are correctly affixed to Lift and on the vehicle. Refer to the **DECALS & DECALS PLACEMENT** section and the instructions for placing decals on the vehicle, in this manual.

- 15. Lift Operation Manual and Maintenance Schedule are inserted in the Vehicle Owners Manual.

VEHICLE I.D. (VIN)# _____

WHEELCHAIR LIFT SERIAL# _____

CHECKED BY & DATE: _____

MAXON LIFT CORP.

11921 SLAUSON AVE. SANTA FE SPRINGS, CA 90670
 (562) 464-0099 (800) 227-4116 FAX (888) 771-7713 Internet: www.maxonlift.com

MAXON[®]
 11921 Slauson Ave. Santa Fe Springs, CA. 90670 (800) 227-4116 FAX (888) 771-7713

