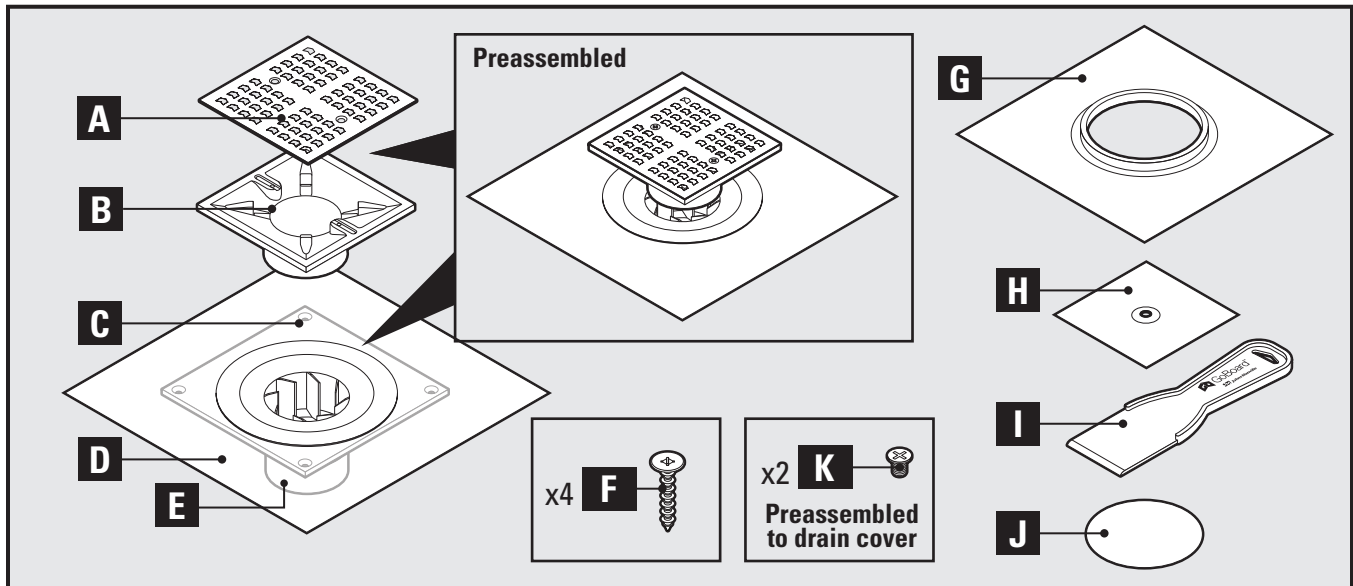


Installation Instructions

Parts and Hardware Included in Kit

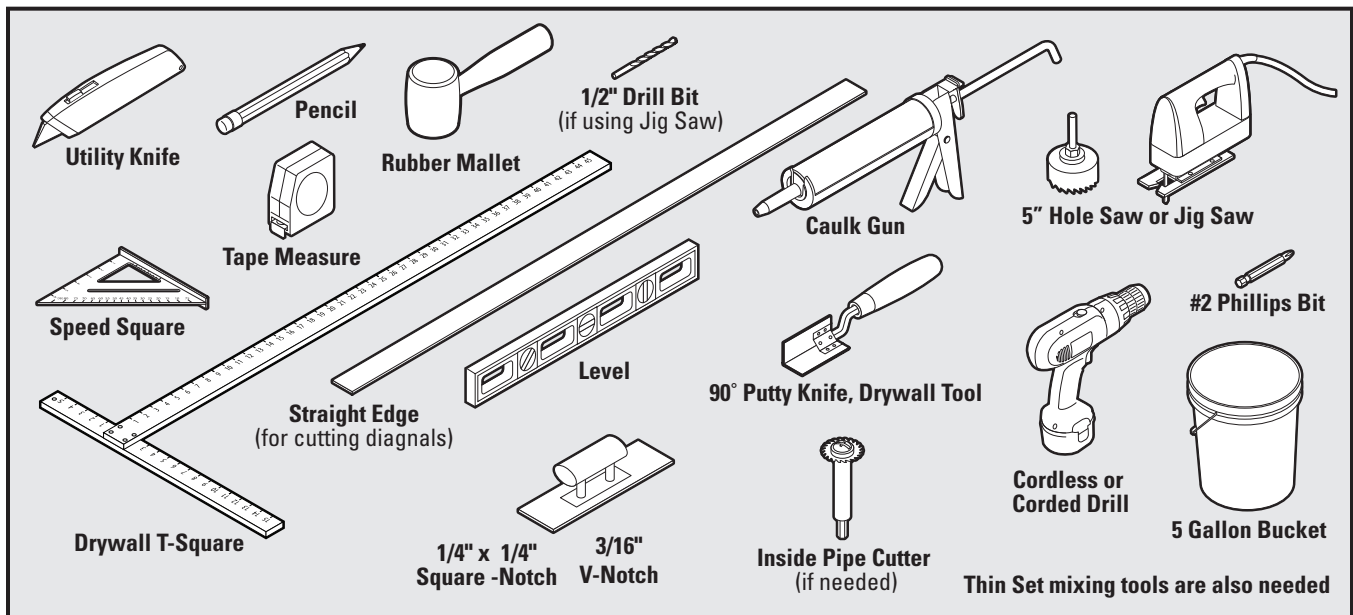


- | | | |
|---------------------------|----------------------------------|----------------------------------|
| A. Drain Cover* | E. PVC Drain Body** | I. 2" Plastic Putty Knife |
| B. Drain Riser | F. Clamping Collar Screws | J. 4" Round Tape Dot |
| C. Clamping Collar | G. Mixing Valve Seal | K. Drain Cover Screws |
| D. Membrane | H. Waterproof Pipe Seal | |

* Most conventional drain covers fit drain riser (snap on and screw on). Custom holes can be drilled in riser if needed for installation.

**The drain body accepts both threaded and unthreaded drain risers from other manufacturers that are approximately 2" inside diameter.

Recommended Tools

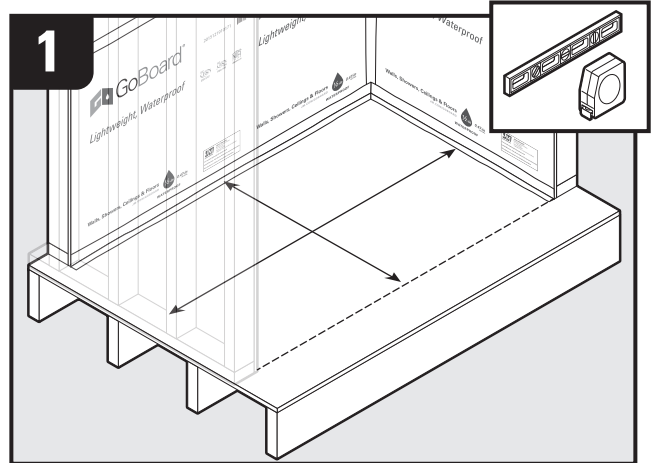


Materials Needed Sold Separately: 4-GoBoard® Wedges, 1/2" GoBoard® Panels, GoBoard® Curb (3.5" H x 2.5" W x 48" L), GoBoard® Sealant, GoBoard® Fasteners or GoBoard® Washers, thin set mortar and PVC primer and solvent cement.

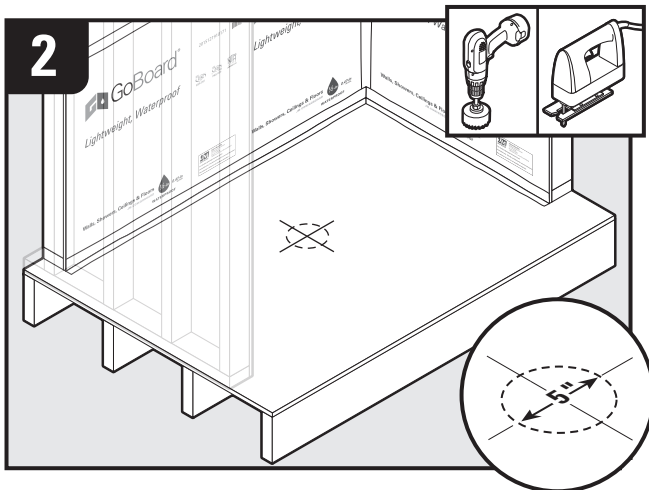
- Fast Installation**
- Ultra-lightweight**
- Easy to cut, handle & install**
- Waterproof built-in***

- **Install 1/2" (or 5/8") GoBoard to wall studs using GoBoard Fasteners spaced every 8" or GoBoard Washers spaced every 12" while leaving 1/8" gaps between subfloor and bottom edge of GoBoard and all board joints. Fill all gaps with GoBoard Sealant and spread excess sealant with a putty knife at least 1" from either side of joint. For the joint near subfloor, spread sealant roughly 2" up from subfloor. For detailed instructions, visit <https://www.jm.com/content/dam/jm/global/en/tile-backer-boards/GB-001%20GoBoard%20Installation%20Instructions.pdf>.**

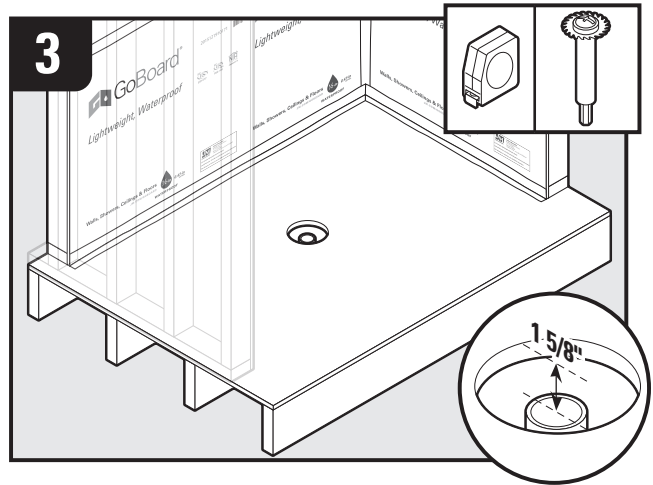
* Only board joints and fastener locations require a waterproof sealant.



Make sure floor is level (floor **must** be level for proper installation). Find the center of the shower pan area (or as close to center as framing allows). Please review page 10 for possible layouts.



Using measurements from the previous step, mark the center of the drain hole. Cut a 5" diameter hole with jig-saw, hole saw or other means. For remodels, ensure existing drain location fits within the layouts and dimensions outlined on page 10 and 12.

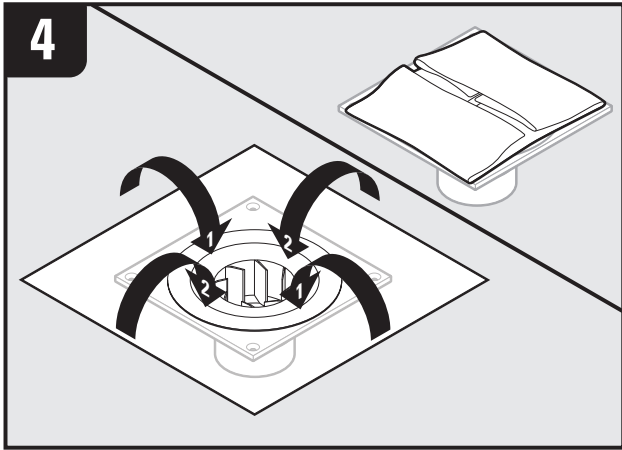


Top of waste pipe **MUST** be at least 1 5/8" below the top of the subfloor. For remodels, cut existing waste pipe as needed with inside pipe cutting tool.

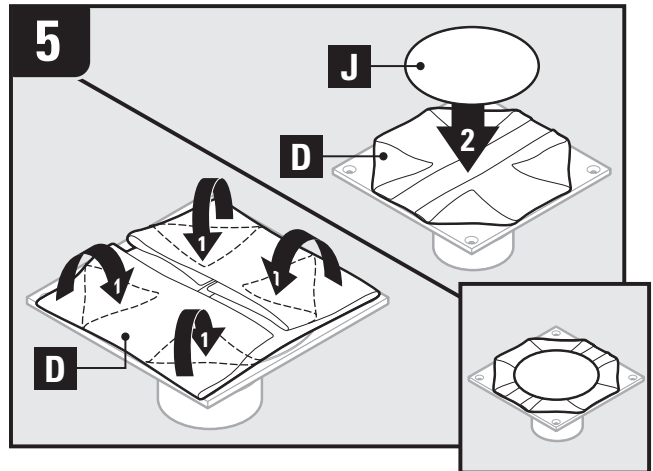
Drain Assembly Installation

Important Information

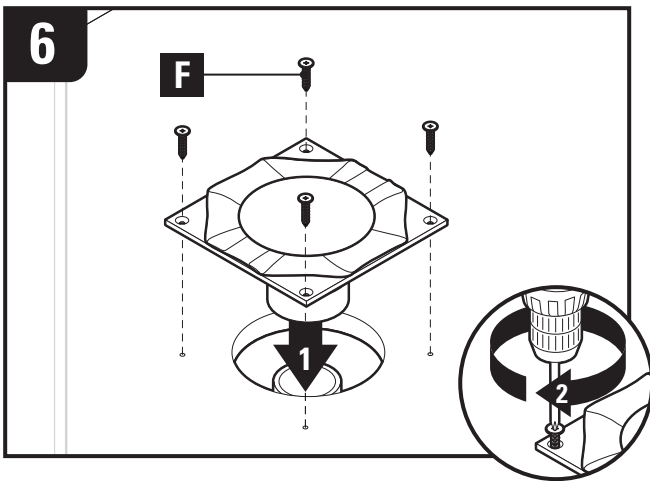
- Make sure the waste pipe cannot be pushed downward during GoBoard Point Drain assembly installation. There are numerous methods to secure the waste pipe, but the easiest method is to place blocking underneath the drain pipe to achieve correct distance from subfloor.



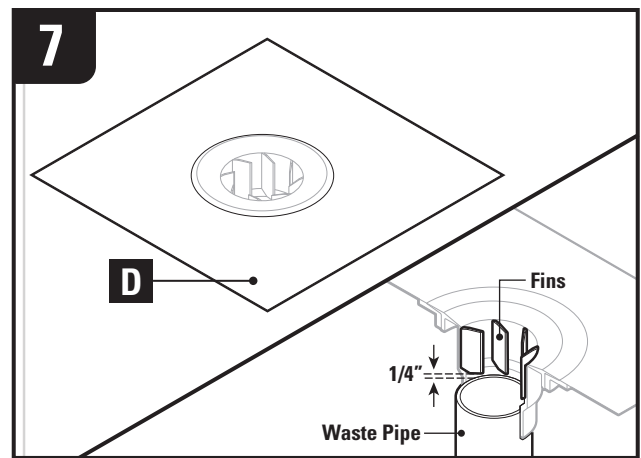
Fold front and back and then left and right of membrane (D) inward.



Fold corners of membrane (D) inward so that screw holes are readily accessible. Add tape dot (J).

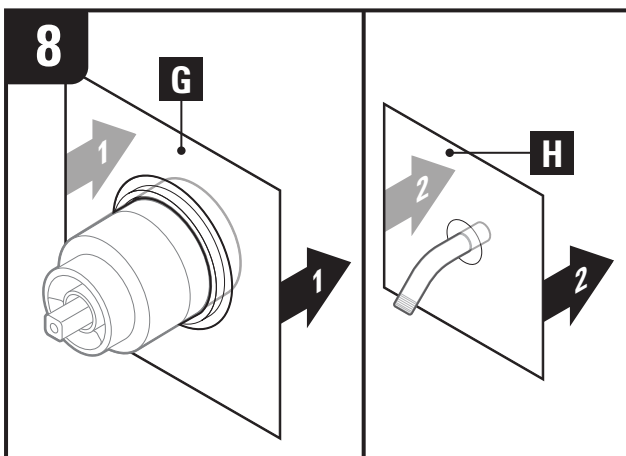


Install GoBoard Point Drain assembly and fasten to subfloor using provided screws (F). Use PVC primer and solvent cement to glue waste pipe and GoBoard Point Drain. If using ABS waste pipe consult plumber.



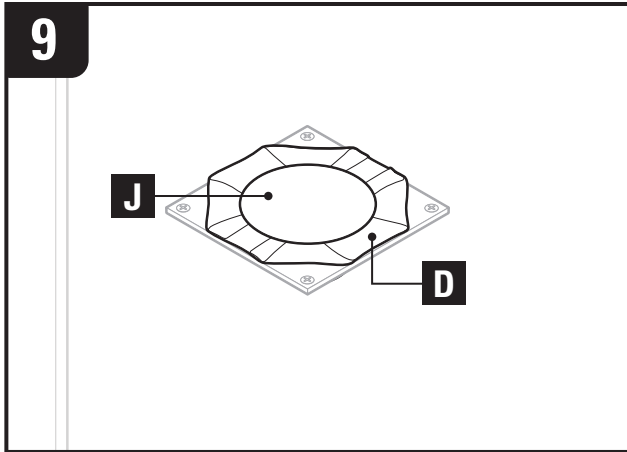
Remove tape dot (J) and unfold membrane (D) to view waste pipe inside GoBoard Point Drain body. The waste pipe should be within 1/4" or less from fins to ensure a secure and water tight connection.

Valve Seal and Pipe Collar Installation

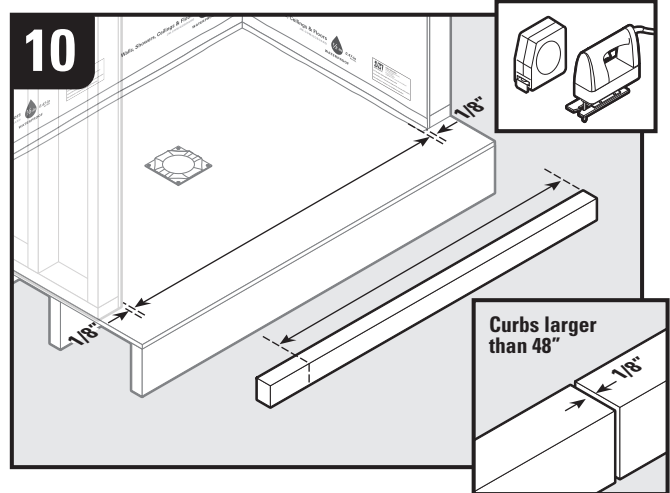


Install valve seal (G) over valve and waterproof pipe seal (H) over shower pipe using GoBoard Sealant.

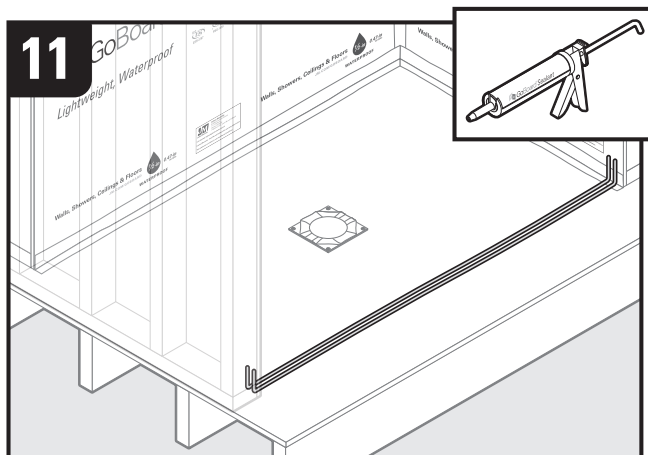
GoBoard Curb Installation (Purchased Separately)



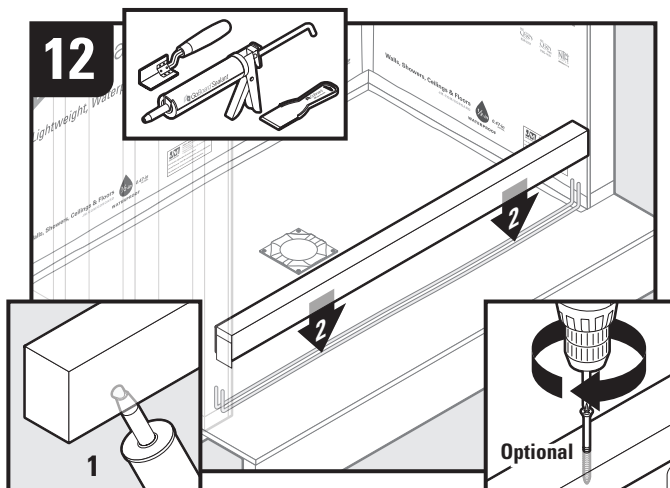
Refold membrane (D) and secure corners with tape dot (J) see steps 5 and 6) so that edge of clamping collar is exposed.



Measure the distance between the left and right walls. Ensure there is a 1/8" gap between curb and side of walls and each curb section if distance is greater than 48". Cut curb section to correct length.



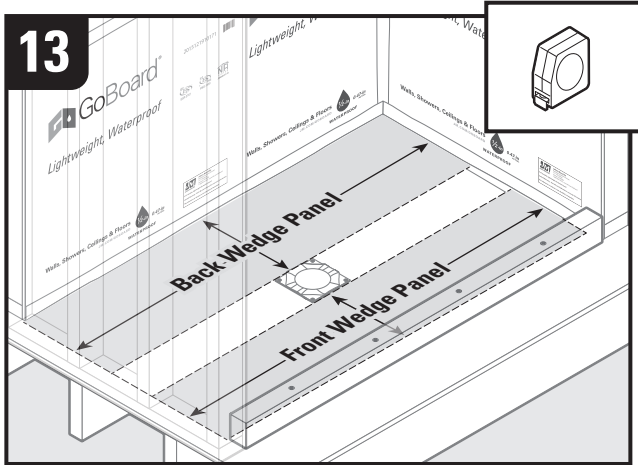
In curb location, apply two 1/4" beads of GoBoard Sealant.



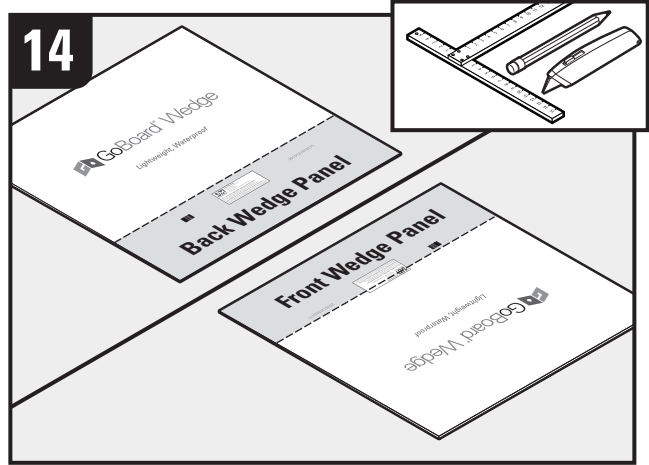
Apply several 1/4" beads on curb (both sections if more than 1 curb required) surfaces in contact with subfloor and walls. Spread excess GoBoard Sealant onto subfloor and curb on shower side. Remove excess sealant on bathroom side of curb.

Optional – Secure curb to subfloor with 4 1/2" screws (1 per linear foot) to prevent accidental curb movement during remaining steps. Apply GoBoard Sealant over lag screw locations to ensure a water-tight installation.

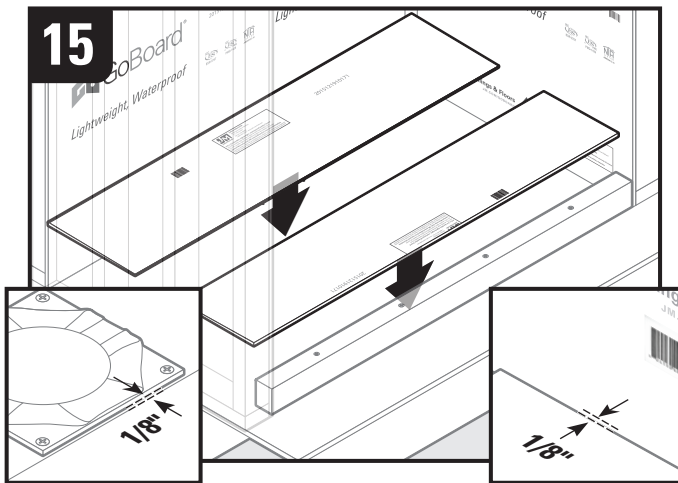
GoBoard Wedge Installation



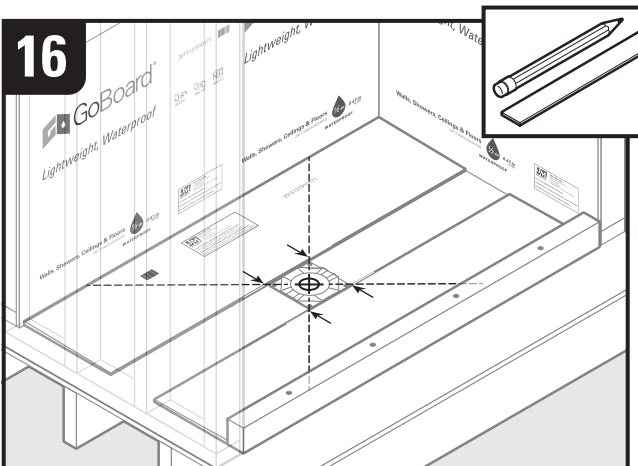
Measure distance between side walls, back wall and clamping collar for back panel and between side walls, curb and clamping collar for front panel. **Account for 1/8" gap when measuring and cutting.**



Transfer measurements (for **back** and **front** wedge panels) from step 14. Cut wedge panels into rectangles (discard remainder). **Note:** Thinner side of wedge panel should always face the drain. Use straight edge for cut.

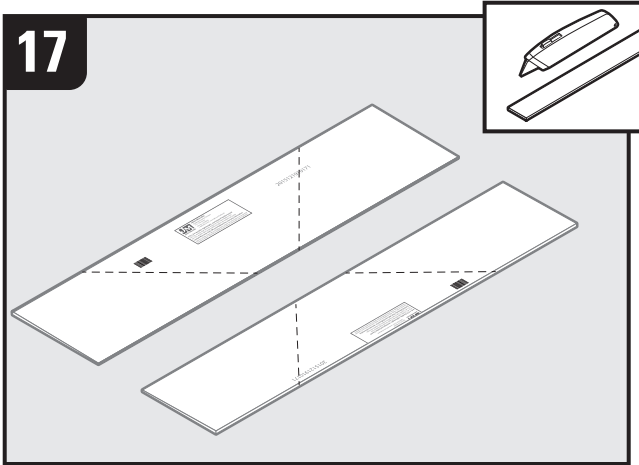


Place wedge panels (**front** and **back**) into shower pan area. Ensure that there is a 1/8" gap at clamping collar and side walls. **Note:** Thinner side of wedge panel should always face the drain.



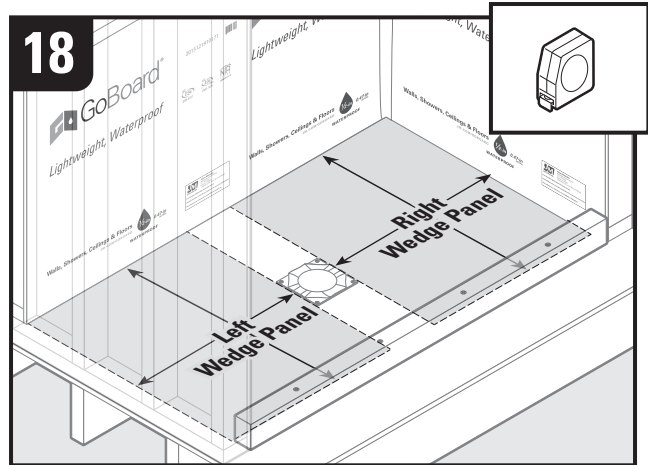
Locate the drain center and mark 45° angles on **left** and **right** wedge panels as shown (use corners of clamping collar as reference points to draw cut lines).

IMPORTANT: DO NOT mark angles from corners of shower pan area. Angles MUST be 45 degrees from center of drain location.

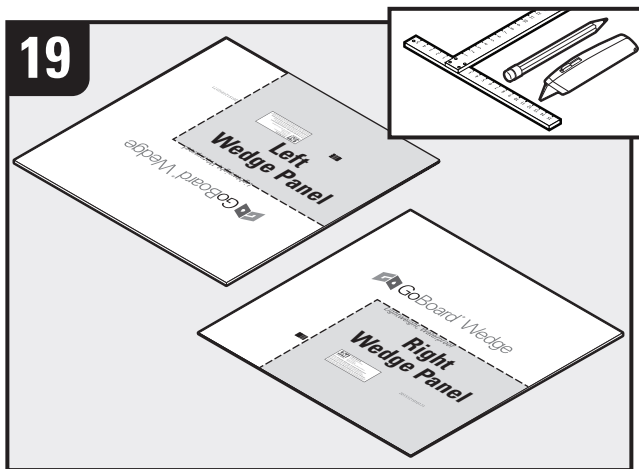


After removing wedge panels from shower pan area, cut along marks on front and rear wedge panels. Dry fit panels to ensure that there is a 1/8" gap at clamping collar, side walls and curb. Trim wedge panels as needed to maintain 1/8" gaps.

Note: Use straight edge for cut (always cut to inside of mark 1/16").

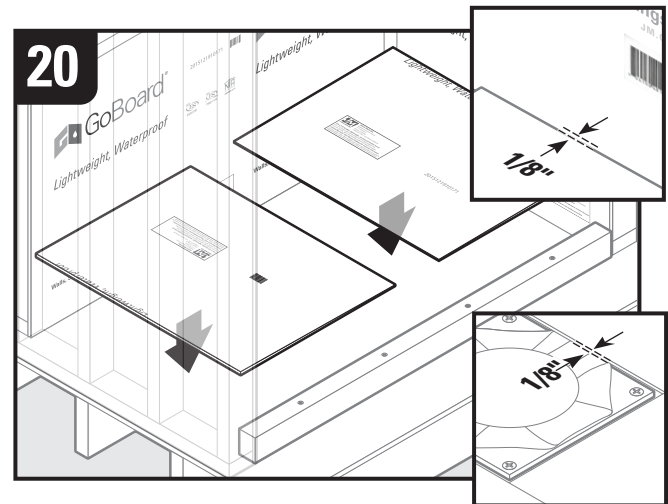


Measure distance between side walls, back wall, curb and clamping collar curb for left and right wedge panels.



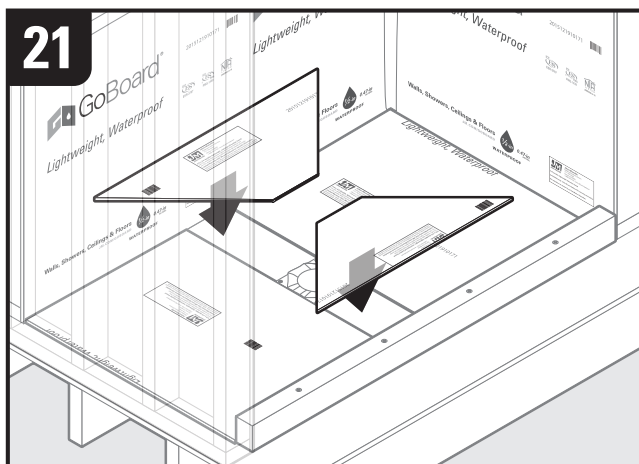
Transfer measurements (for left and right wedge panels) from step 19. Cut wedge panels into rectangles discard remainder.

Note: Thinner side of wedge panel should always face the drain.



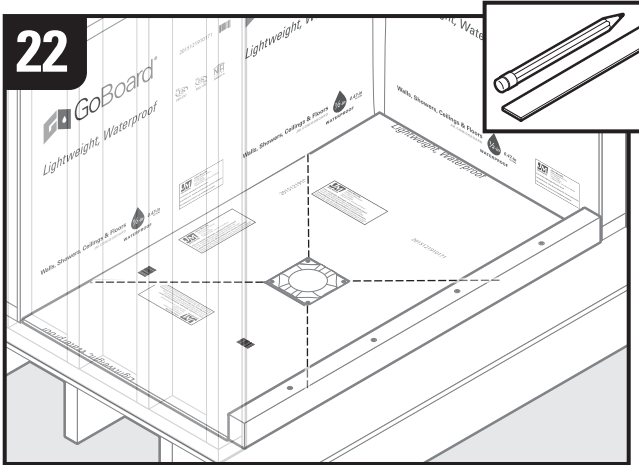
Place wedge panels (left and right) into shower pan area.

Note: Thinner side of wedge panel should always face the drain.



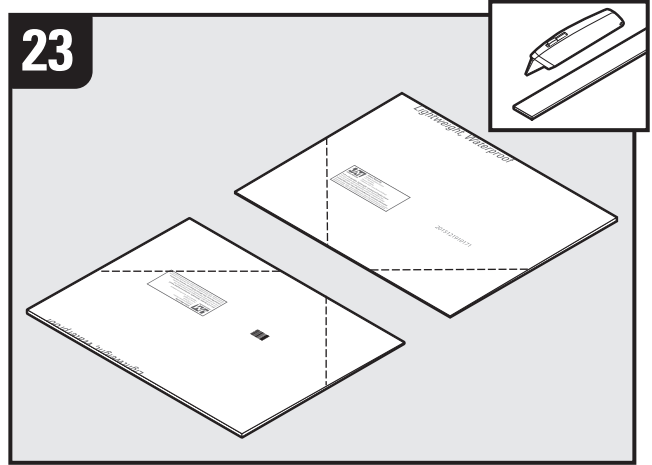
Place cut front and back wedge panels back in shower pan area on top of uncut left and right wedge panels.

Note: Thinner side of wedge panel should always face the drain.



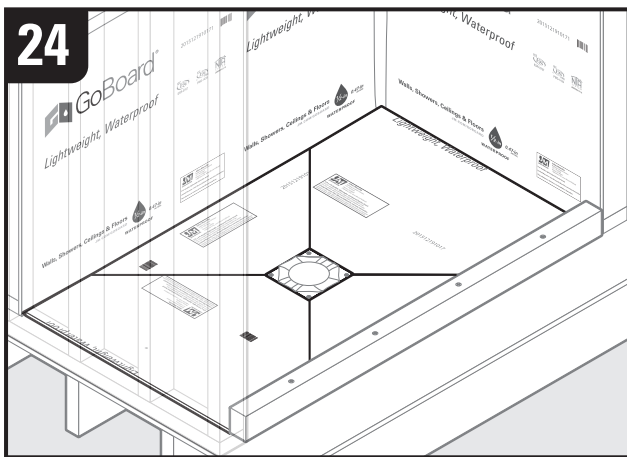
Using **front** and **back** panel edges, mark 45 degree angles on **left** and **right** wedge panels.

IMPORTANT: DO NOT mark angles from corners of shower pan area. Angles **MUST** be 45 degrees from center of drain location.

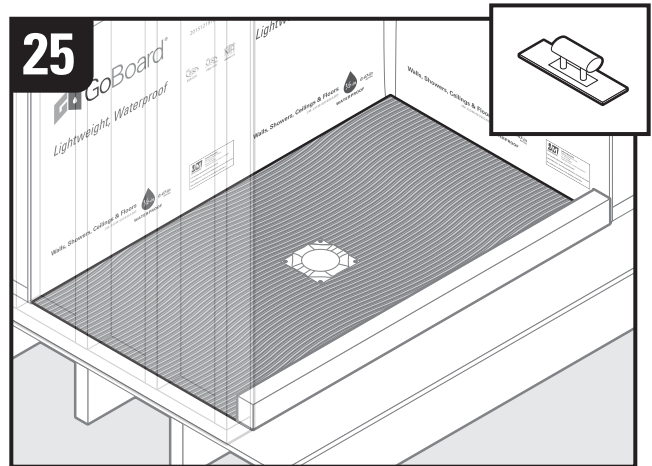


After removing all wedge panels from shower pan, cut along marks to final size. Ensure there is a 1/8" gap at clamping collar, outside walls and between wedge panels.

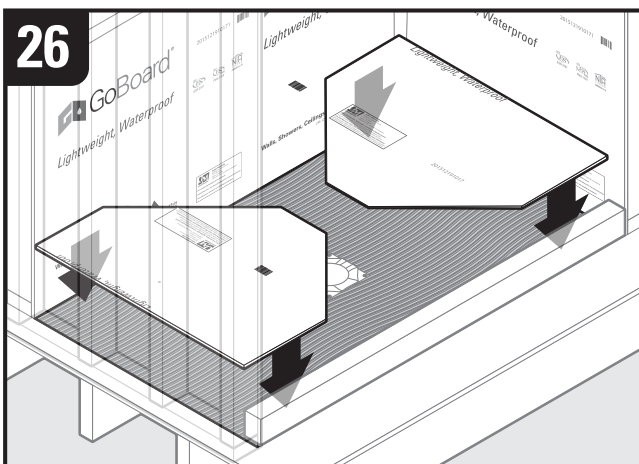
Note: Use straight edge for cut (always cut to inside of mark 1/16").



Dry fit all four wedge panels to ensure that there is a 1/8" gap between wedge panels, clamping collar, side walls and curb.

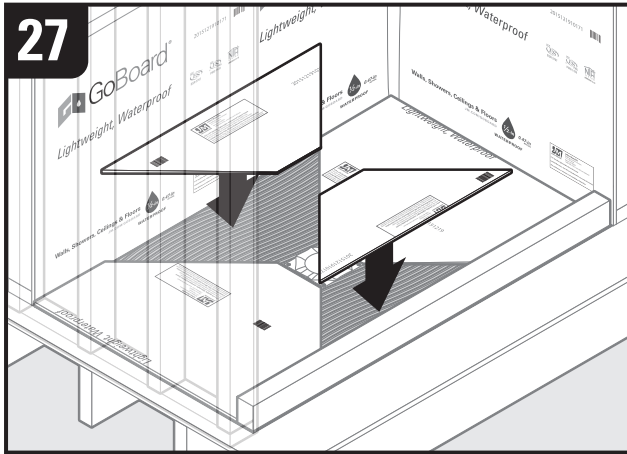


Mix thin set mortar per manufacturers instructions and apply to subfloor using a 3/16" V-notched trowel. Use a 1/4" x 1/4" square notch trowel if additional height is needed or rough subfloor.



Install **left** and **right** wedge panels by pressing firmly into thin set. Ensure that there is a 1/8" gap at clamping collar and side walls.

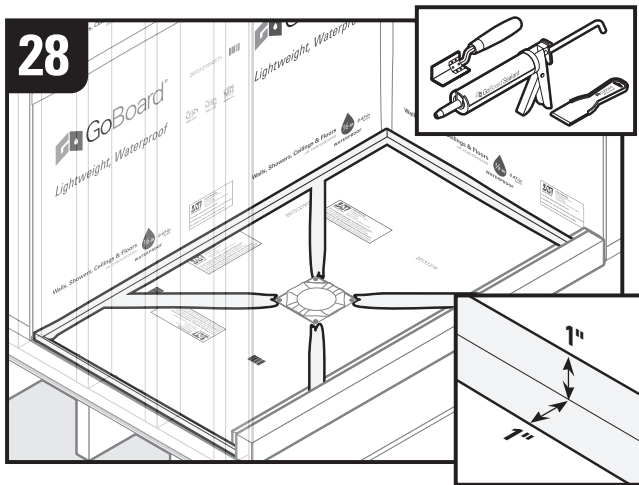
Note: Thicker side of wedge panels to outside of enclosure.



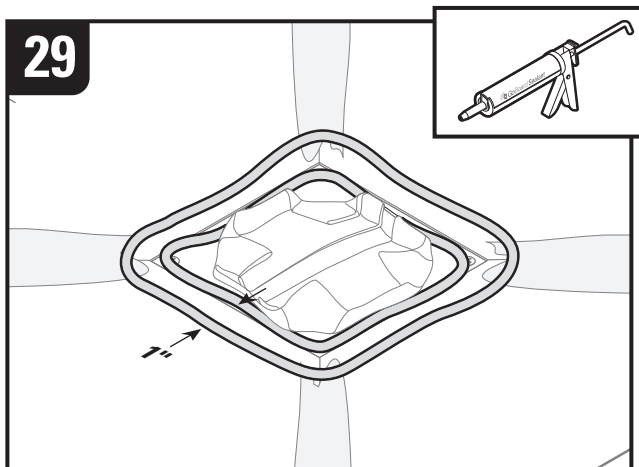
Install **front** and **back** cut wedge panels by pressing firmly into thin set. Ensure that there is a 1/8" gap at clamping collar, side walls, curb and wedge panels.

Note: Thinner side of wedge panel should always face the drain.

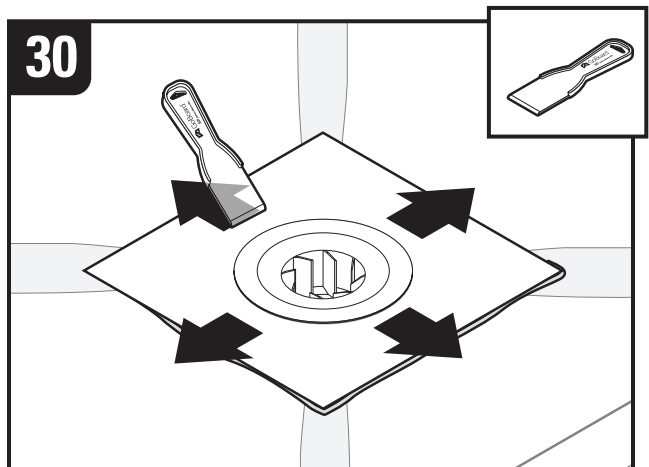
Transition Membrane Installation



Fill 1/8" gaps, including between clamping collar and wedge panels, with sealant and spread excess sealant with a putty knife at least 1" from either side of 1/8" gaps. For the 90 degree inside corners, use a 90 degree putty knife to ensure the inside corners are completely sealed.

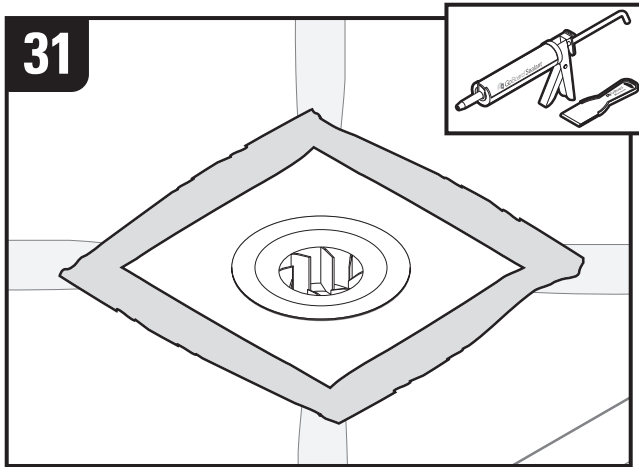


After removing tape dot and folding membrane edges up, Apply a 1/4" bead of GoBoard Sealant on top of clamping collar near folded membrane, fill remaining gaps between clamping collar and wedge panels and apply another 1/4" bead of sealant around the perimeter of the drain base approximately 1" from clamping collar as shown.

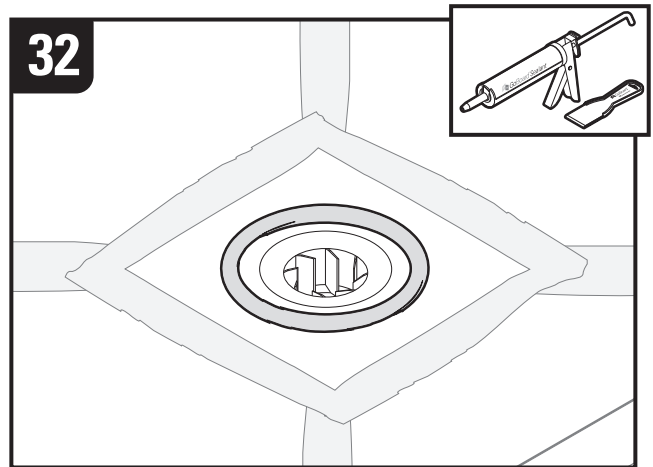


Unfold membrane so it is lying flat over beads of GoBoard Sealant and wedge panels. Using a putty knife, start spreading sealant underneath membrane closest to center of drain moving out. Continue around drain until entire membrane is adhered to wedge panels with sealant.

Note: Use moderate pressure when smoothing and spreading sealant under membrane. A continuous layer of sealant **MUST** remain underneath membrane.

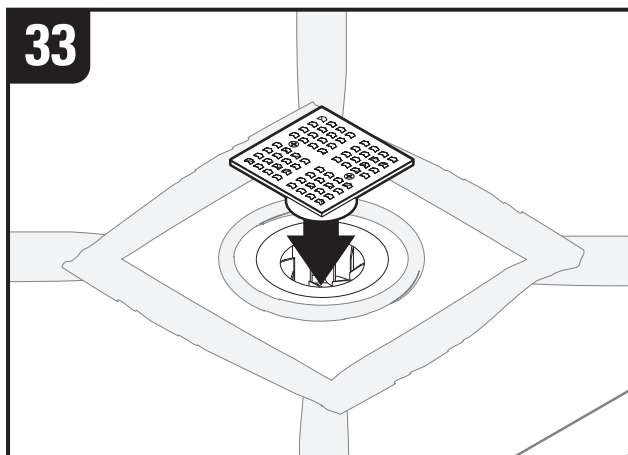


Spread excess GoBoard Sealant around perimeter of membrane as shown in illustration.

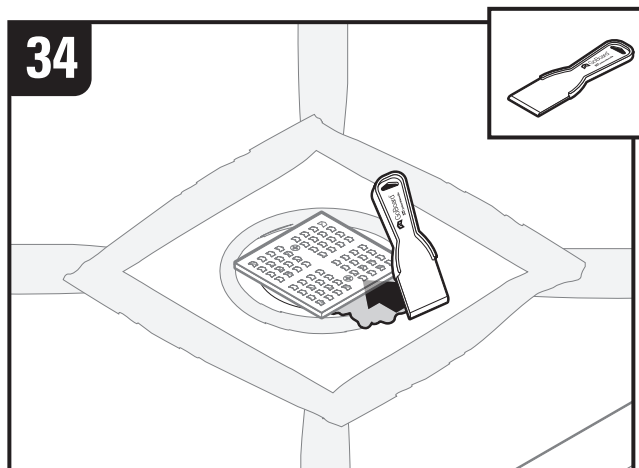


Apply a 1/8" bead of GoBoard Sealant around perimeter of PVC drain flange and spread with a putty knife. Once sealant skins over, begin installing tile.

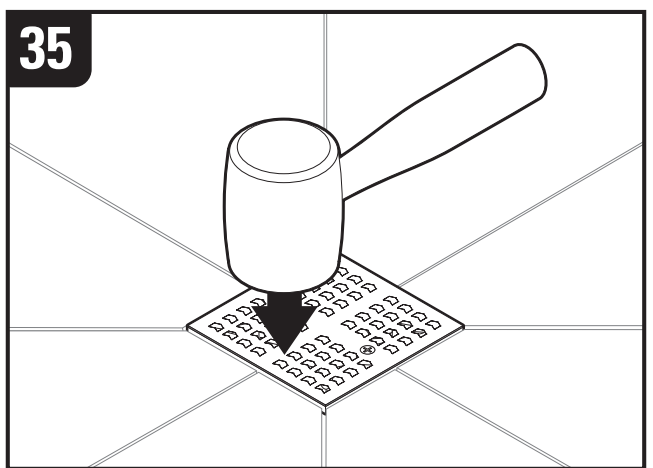
Drain Cover Installation



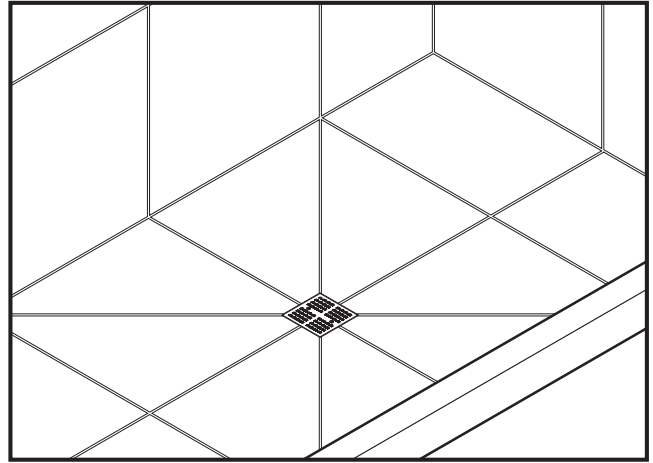
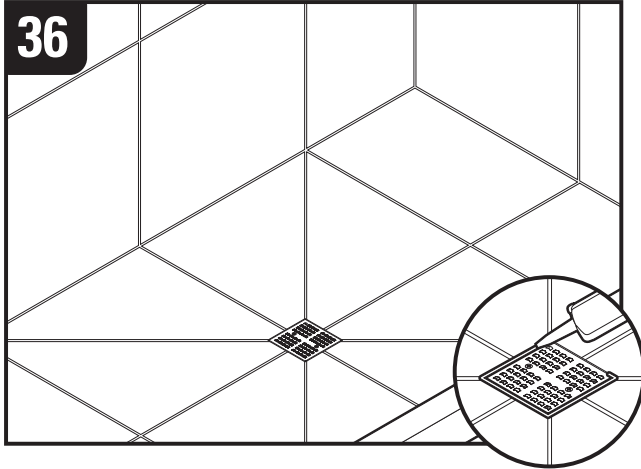
Install the drain cover assembly into the center of the drain. The radial fins are designed to accommodate most 2" drain cover assemblies while allowing for easy removal and repositioning during tiling. The final height of the drain cover needs to match the height of the installed tile.



Make all necessary preparations for installing tile. Mix thin set mortar per manufacturers instructions. Using a putty knife, pack thin set mortar underneath drain cover as shown.



Begin installing tile around drain. Using a rubber mallet, gently level drain cover with surrounding tile if needed.



Set remaining tile. After tile installation is complete, grout enclosure and grout or caulk around drain riser and cover. Make sure the drain cover remains removable.

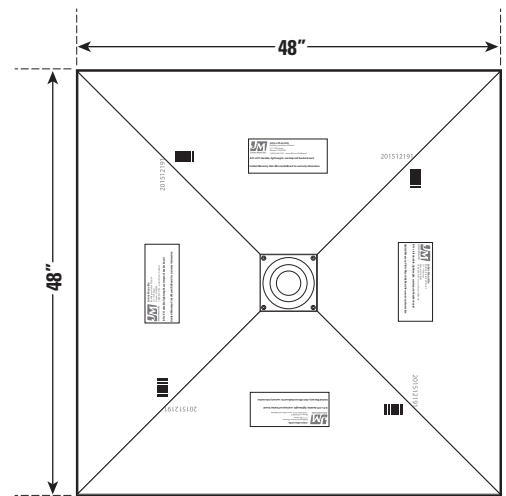
Complete.

Note: Illustration of complete installation.

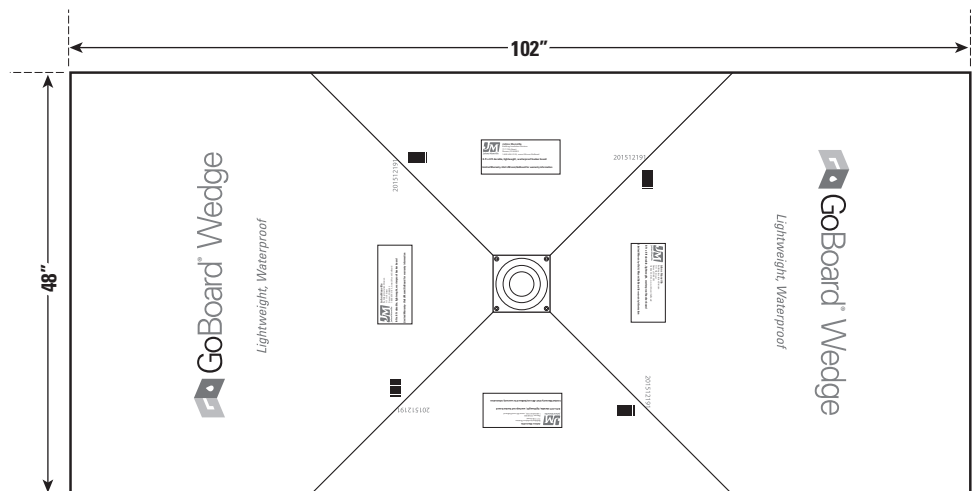
Recommended Layouts

Note: Shower pan areas referenced below DO NOT include GoBoard Curb.

1. Maximum square shower pan area using 4 – 48" x 48" GoBoard Wedges.



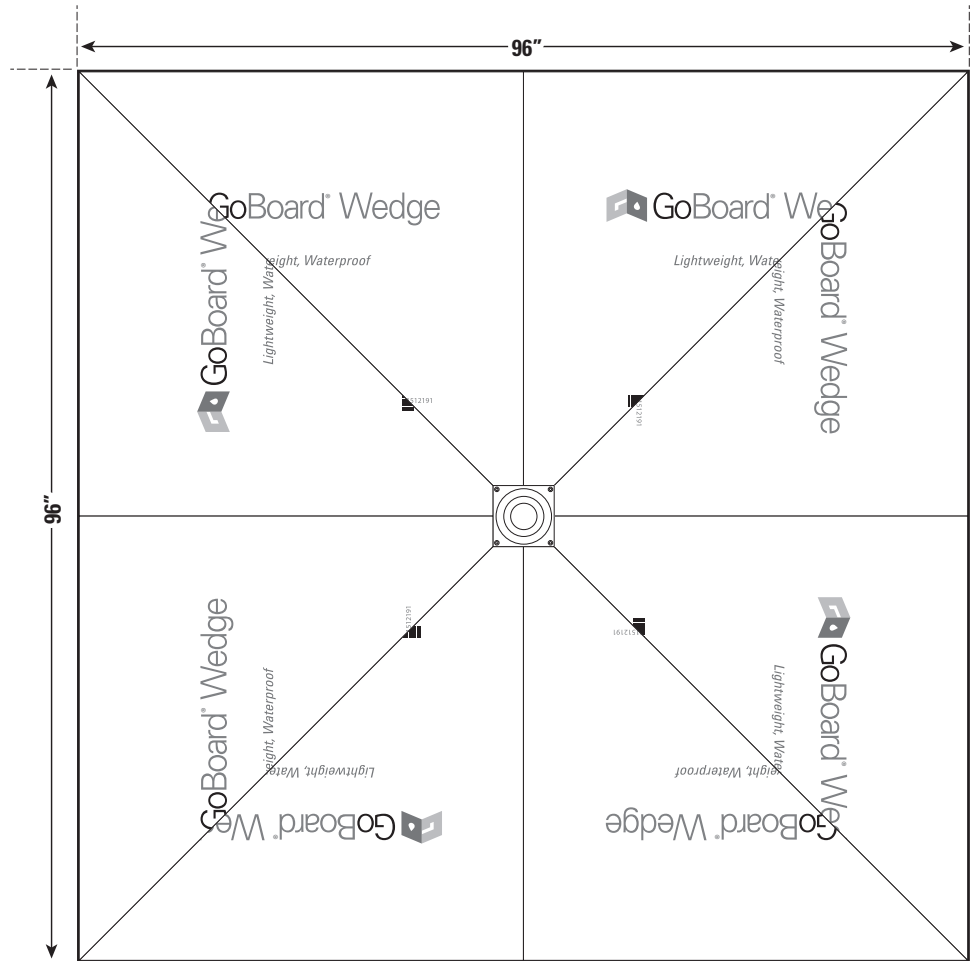
2. Maximum rectangular shower pan area using 4 – 48" x 48" GoBoard Wedges



Recommended Layouts (continued)

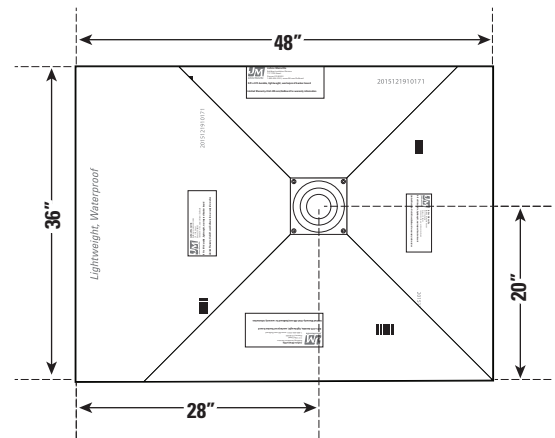
Note: Shower pan areas referenced below DO NOT include GoBoard Curb.

3. Maximum square shower pan area using 8 – 48" x 48" GoBoard Wedges



For all previous layouts, offset drain locations will reduce the maximum shower pan area by the distance from shower pan center

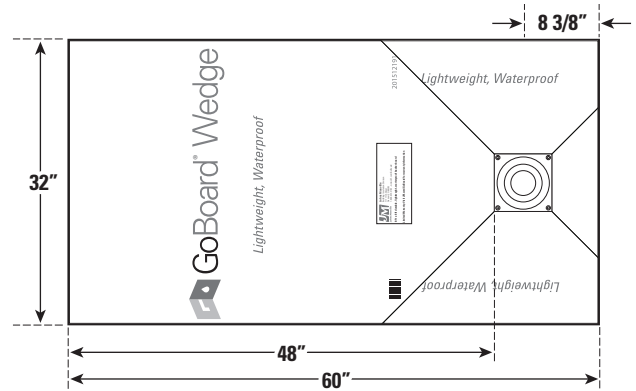
4. Offset drain example using 4 - 48" x 48" GoBoard Wedges
- a. Size shown is typical, but can be larger depending on offset distances from center of shower pan area.
 - b. For offset drain location, always maintain 45 degree cut angles.



Recommended Layouts (continued)

Note: Shower pan areas referenced below DO NOT include GoBoard Curb.

- 5. Tub to shower conversion shower pan area using 3 – 48" x 48" GoBoard Wedges.
 - a. Drain location shown below is based on a typical 32" x 60" tub area and the maximum length of GoBoard Wedge.
 - b. The 32" width pan width can be increased up to 48" requiring 4 – 48" x 48" GoBoard Wedges.



- 6. Curbless tub to shower conversion using 4 – 48" x 48" GoBoard Wedges.
 - a. The dimensions above are for when the subfloor is lowered by 5/8" using blocking or other means.
 - b. Drain location is centered and up against back wall.
 - c. Other curbless layouts are possible with the size depending on level of shower pan area versus adjacent floor.
 - d. For all curbless installations it is recommended the adjacent floor area be waterproofed with GoBoard following the floor installation procedure at www.jm.com/goboard.

