



United States Patents 8,151,858 8,307,876  
U.S. and Foreign Patents Pending

**Tech Support 678-926-9700**

---

# Installation Manual - Owners Manual - Warranty

---

**For Lifestyle Garage Screen Kits: 6'x7', 8'x7', 9'x7', 10' x7', 16'x7, 18'x7', 8'x8', 9'x8', 10'x8', 16'x8', 18'x8'**



### **WARNING: IMPORTANT SAFETY INFORMATION**

Read all instructions and the following safety information carefully prior to installation and use. Failure to do so may result in serious injury or death.

Do not install this product if your garage door operator is not equipped with photo-eye sensors, or if it cannot be adjusted so that the door reverses direction when encountering an obstruction with the slightest amount of pressure. If your operator is not equipped with such safety devices, the installer may require you to install a new operator before installing the Lifestyle garage screen. Failure to comply with these directions may result in serious injury or death and or damage to your Lifestyle garage screen, garage door or other property.

Please refer to operator instruction manual for proper adjustment parameters. Do not exceed the operator manufacturer's recommendations for safe adjustment of the operator. Failure to do so may result in serious injury or death. Final adjustment of the operator must comply with operator manufacturer's recommendations. Failure to do so may result in serious injury or death.

Red fasteners on garage door systems are under tension. Do not remove or tamper with any fasteners, screws or bolts that are red in color. Failure to do so may result in serious injury or death.

Moving the screen can cause serious injury or death. Keep people and pets clear of opening when operating the screen. An overhead screen is a large heavy object that moves with the help of springs that are under high tension loads. Since moving objects and springs under high tension can cause serious injuries, your safety and proper operation of the screen depend on you doing the following:

- Keep the screen in full view and free of obstruction when in operation;
- Do not allow children to operate the screen;
- Do not close or operate the screen if people or pets are in the door opening;
- Do not hang or place excessive downward force on the nylon closing straps;
- Do not stand on any object when operating the screen;
- Do not place fingers, hand or other body parts between the screen and the door jambs when operating the screen;
- Do not operate your garage door when the screen is in the closed vertical orientation;
- Do not tamper with or remove the photo eye blocker installed on the screen;
- Check the hardware on the screen at least monthly for worn or broken parts, adjustment and balance.
- Do not operate the screen with broken springs, cables or other parts;
- Repairs and adjustments of the screen should be performed exclusively by a trained professional.

Do not cover over or paint over any warning signs and decals.

### **Before Installing the Lifestyle Screens garage screen**

- The Lifestyle garage screen cannot be installed in combination with a low headroom garage door installation.
- Check for clearances in the following situations: cabinets mounted on the side wall next to the garage door track; entry doors from the home to the garage that open into the garage should clear several inches below the garage door tracks or away from the tracks, any side doors next to the garage door should not interfere with the Lifestyle screen tracks.
- Ensure that the garage door is completely out of the opening and secured from closing.
- Disengage the garage door operator arm.
- Raise the garage door well beyond the vertical opening and clamp with vise grips to hold the garage door in place.
- Once the Lifestyle screen is installed, you may need to adjust the travel on the operator and/or the operator J-Bar may need to be cut down and/or assembled in a different set of holes. This is to ensure that the operator arm does not hit the Lifestyle screen during operation of the garage door.

### **TOOLS REQUIRED FOR ASSEMBLY**

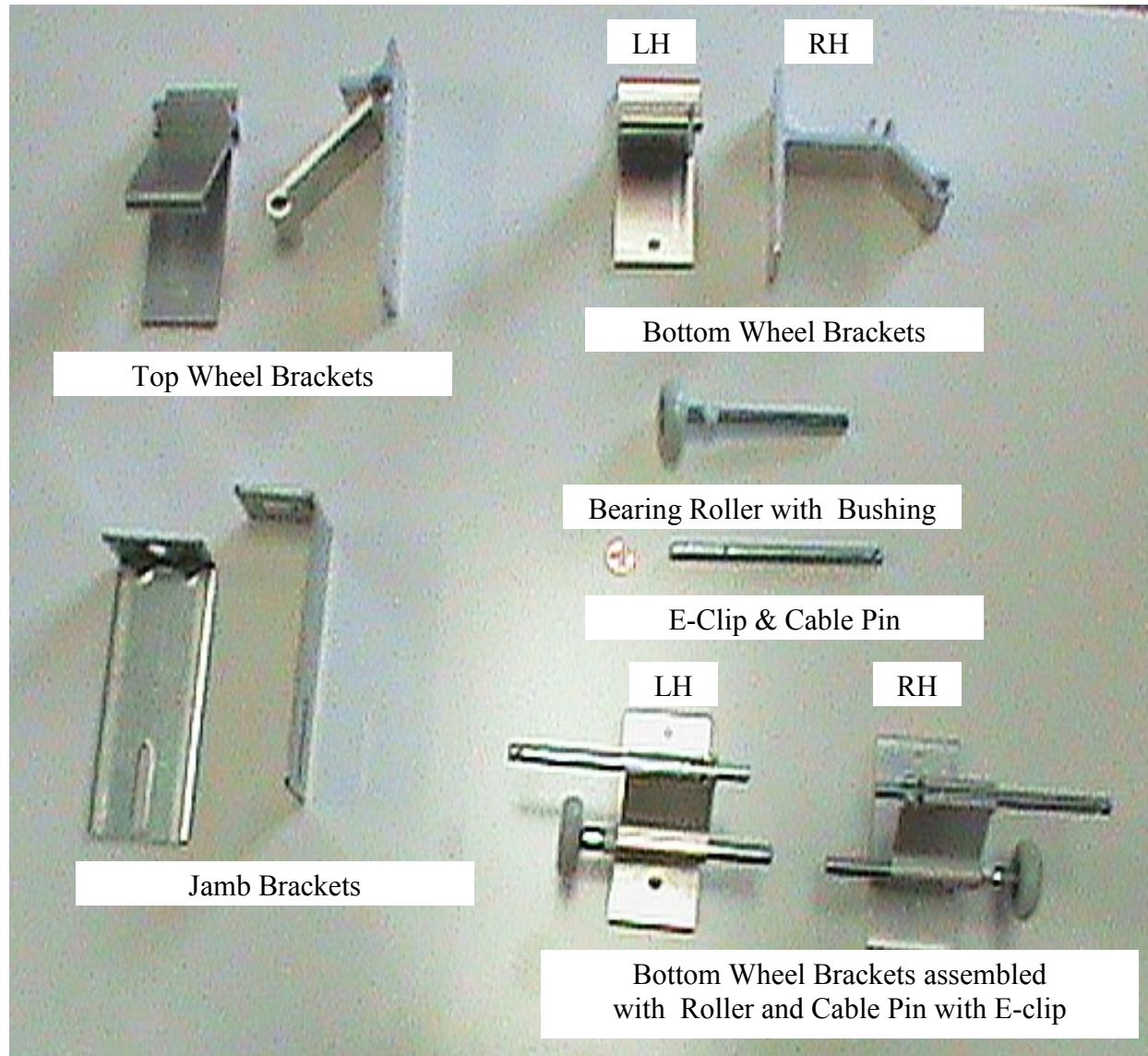
- Safety Glasses or Goggles
- \*\*Cordless Drill with 5/16" and 7/32" Drill Bits (see notes below)
- 1/4 " Hex Drive Bit
- Socket Sizes: 7/16", 1/2", 9/16"
- Wrench Sizes: 7/16", 1/2", 9/16"
- 4"+ Socket Extension (optional)
- Phillips Screw Driver
- Hammer or Rubber Mallet
- Vise Grips or C-Clamps
- Saw Horses
- Utility Knife
- Spline Insertion Tool
- Tape Measure

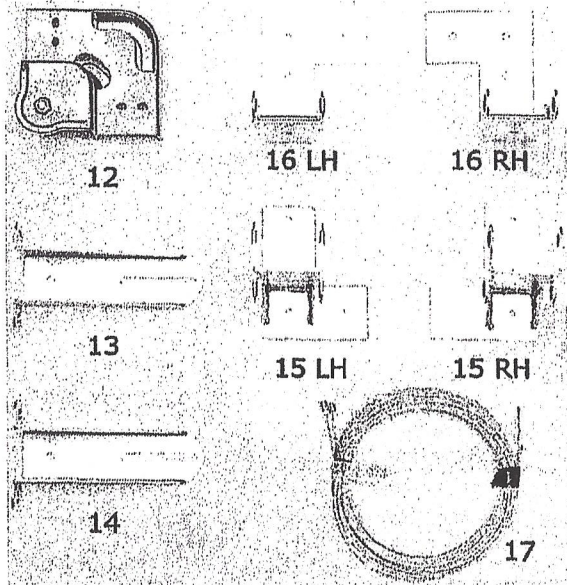
**Notes: \*\* Some drilling of the track members may be required.**

## KIT CONTENTS

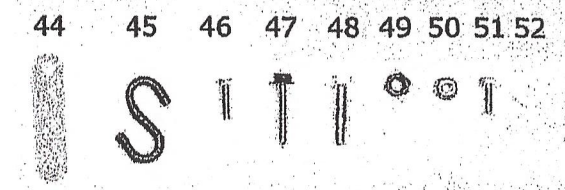
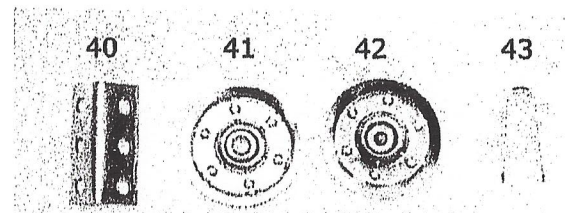
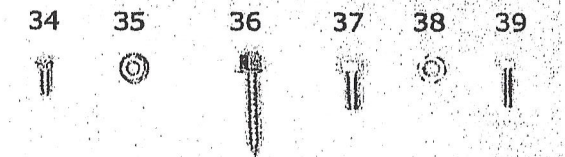
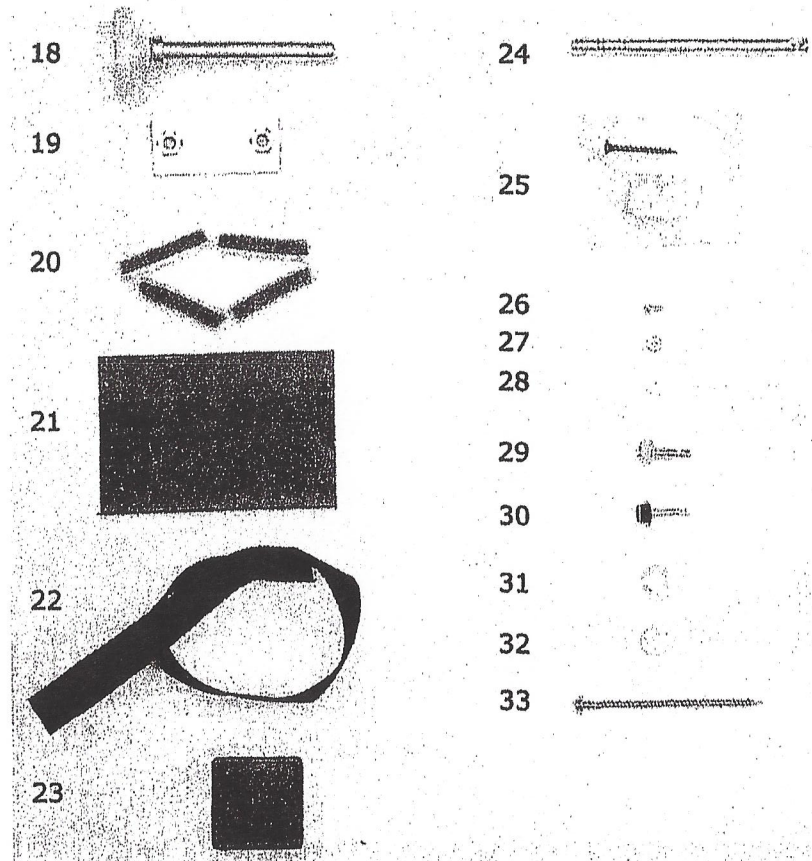
<b>FRAME BOX</b>			Ref #	<b>FRAME BAG (in Hardware Box)</b>			Ref #
Item #	Qty.	Description		Item #	Qty.	Description	
1	4	Frame Verticals 79.0625"/91.0625" for 7'/8' Models		23	16	Frame Assembly Screws 4" Long	33
2	2	Frame Horizontals 8'/9'/10'/16'/18' Wide		24	1	Photo Eye Shield	21
3	1	Weather Strip (Pre-Installed on Frame)		25	4	2" Square Black End Plugs	23
4	1	Bottom Door Seal Astragal		26	8	Backer Plate	19
<b>SCREEN &amp; TRACK BOX</b>				27	16	1/4-20 X 1 TEK	29
5	1	GENIUS Milano Retractable Passage Door		28	2	5/16 18x1 Hex Bolt	37
6	1	Screen Material		29	2	5/16 18 Hex Nut	38
7	1	Spline 64' Length		30	4	2" Weather Strip	20
8	2	Vertical Track		31	2	18 lb Pull Force Magnets	25
9	2	Horizontal Track		32	4	#6-32 X 5/16 Pan Head Phillips	26
10	2	2' Length 1 1/4" Perforated Angle		33	4	#6-32 Hex Nut	27
11	2	Nylon Straps	22	34	4	#6 Flat Washers	28
12	2	Springs		<b>TRACK BAG (in Hardware Box)</b>			
13	1	Push Pole Assembly (for 8' H Models only)		35	14	1/4-20 X 5/8" Track Bolt	34
<b>HARDWARE BOX</b>				36	18	1/4-20 Serrated Flange Nut	35
14	2	Tight Radius Track Curve	12	37	4	5/16-18 X 1-5/8 Lag Bolt	36
15	4	Jamb/Track Brackets	Updated Parts	38	2	1/4-20 X 3/4 Hex Head Bolt	37
16	2	Cables 3/32" 7 X 7 X 342" (rolled together)	17	39	2	1/4-20 X 1" Track Bolt	46
17	1	Bottom Wheel Bracket Assembly LH	Updated Parts	40	2	3" Sheave 1/4 Bore	42
18	1	Bottom Wheel Bracket Assembly RH	Updated Parts	<b>COUNTER BALANCE BAG (in Hardware Box)</b>			
19	1	Top Wheel Bracket Hinged Assembly LH	Updated Parts	41	2	1-1/4 X 1-1/4 X 3" Perf.	40
20	1	Top Wheel Bracket Hinged Assembly RH	Updated Parts	42	4	3" Sheave 3/8 Bore	41
21	1	Warning Labels	Updated Parts	43	2	3" Sheave Strap	43
22	1	Installation Manual - Owner's Manual	Updated Parts	44	2	3 Hole Cable Clip	44
B-1	1	Frame Bag		45	2	S-Hook	45
B-2	1	Track Bag		46	4	5/16 X 1-5/8 Lag Jamb Bolt	47
B-3	1	Counterbalance Bag		47	4	3/8-16 X 1-1/2 Hex Head Cap Bolt	48
				48	4	3/8-16 Hex Nut	49
				49	2	1/4-20 Serrated Flange Nut	50
				50	2	1/4 20 x 5/8" Track Bolt	46
				51	2	5/16 18X1" Hex Bolt	37
				52	2	5/16 18 Hex Nut	38

## Updated Parts



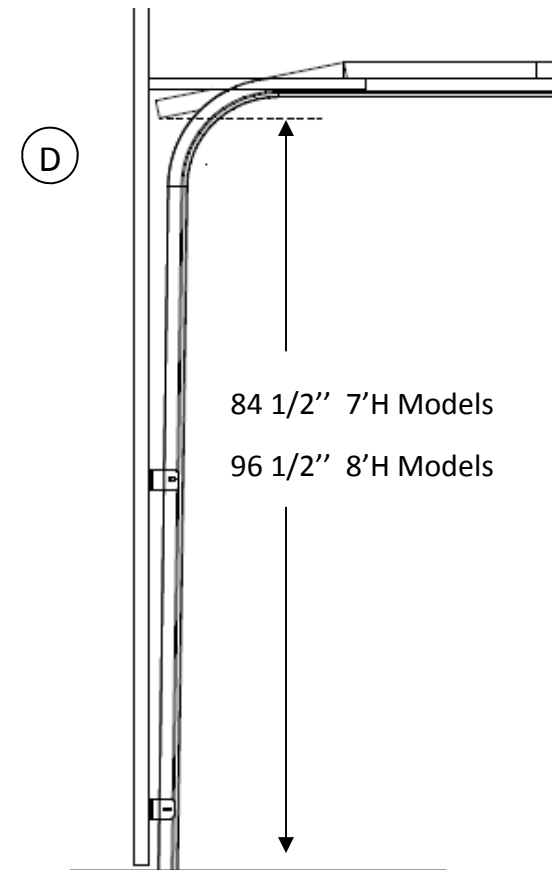
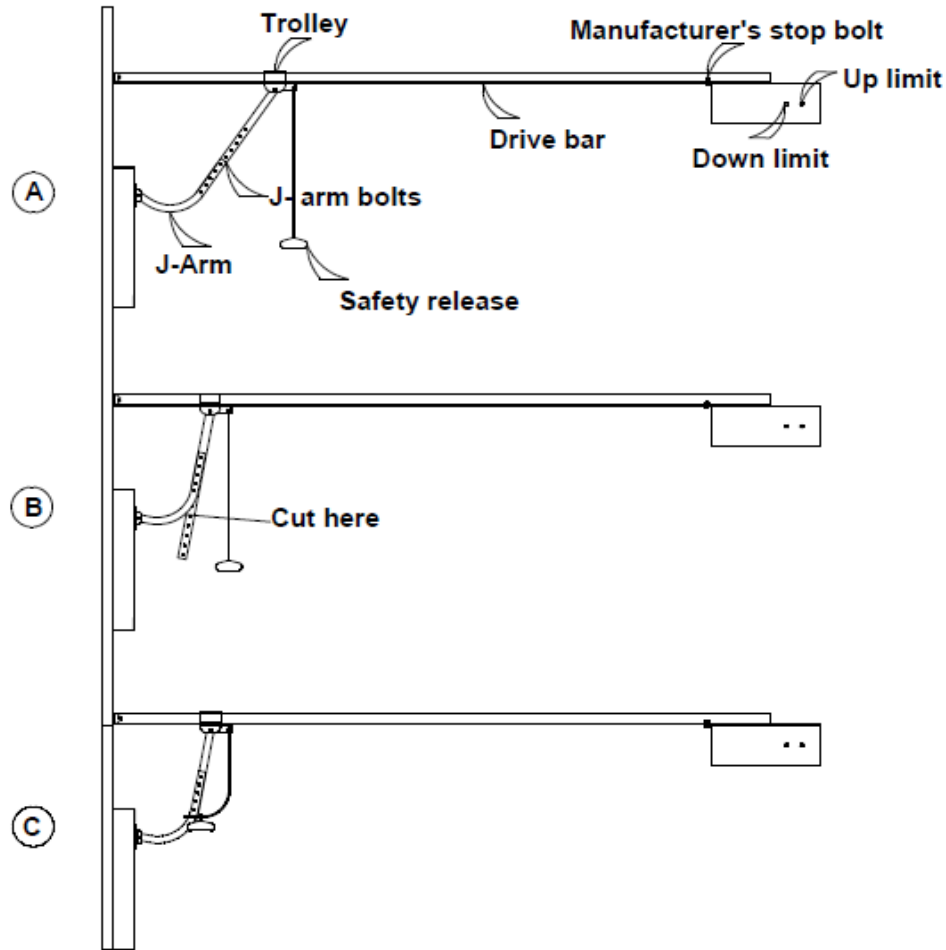


**KIT CONTENTS  
REFERENCE NUMBERS**



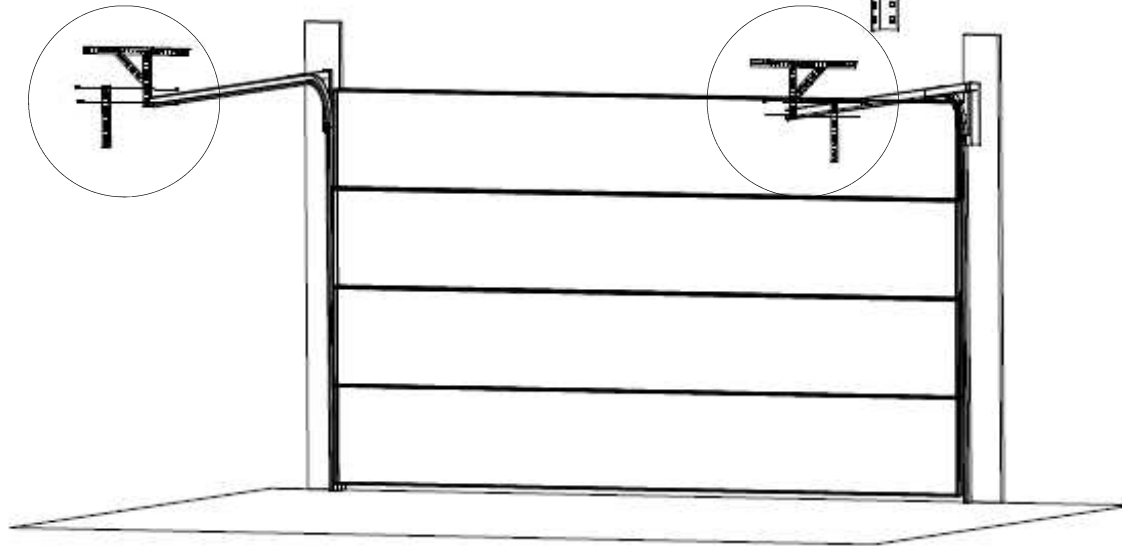
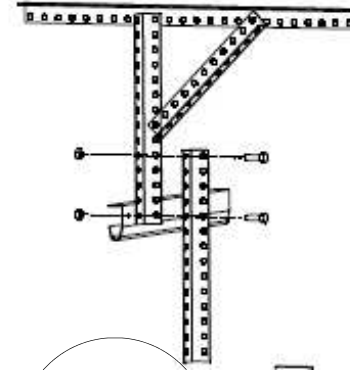
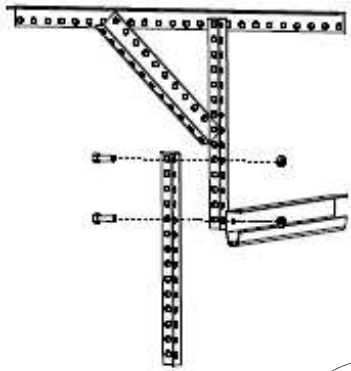


1



1. Adjust up-limit on garage door opener shown in –A so the trolley stops 1/2" before hitting the stop bolt, if the 84-1/2" clearance required to install 7'H Lifestyle is achieved skip to step #5.(See D) (96 1/2" is required for 8'H models)
2. Remove the J-arm bolts shown in –A and pull the safety release to disengage the trolley, slide the trolley forward toward the door jamb until it is almost level and reinstall bolts into J-arm. This will shorten the J-arm about 2".
3. Reset the down limit until the garage door seals to the floor.
4. Cut excess off of the straight portion of J-bar shown in B.
5. Tie off handle to J-arm shown in C

2



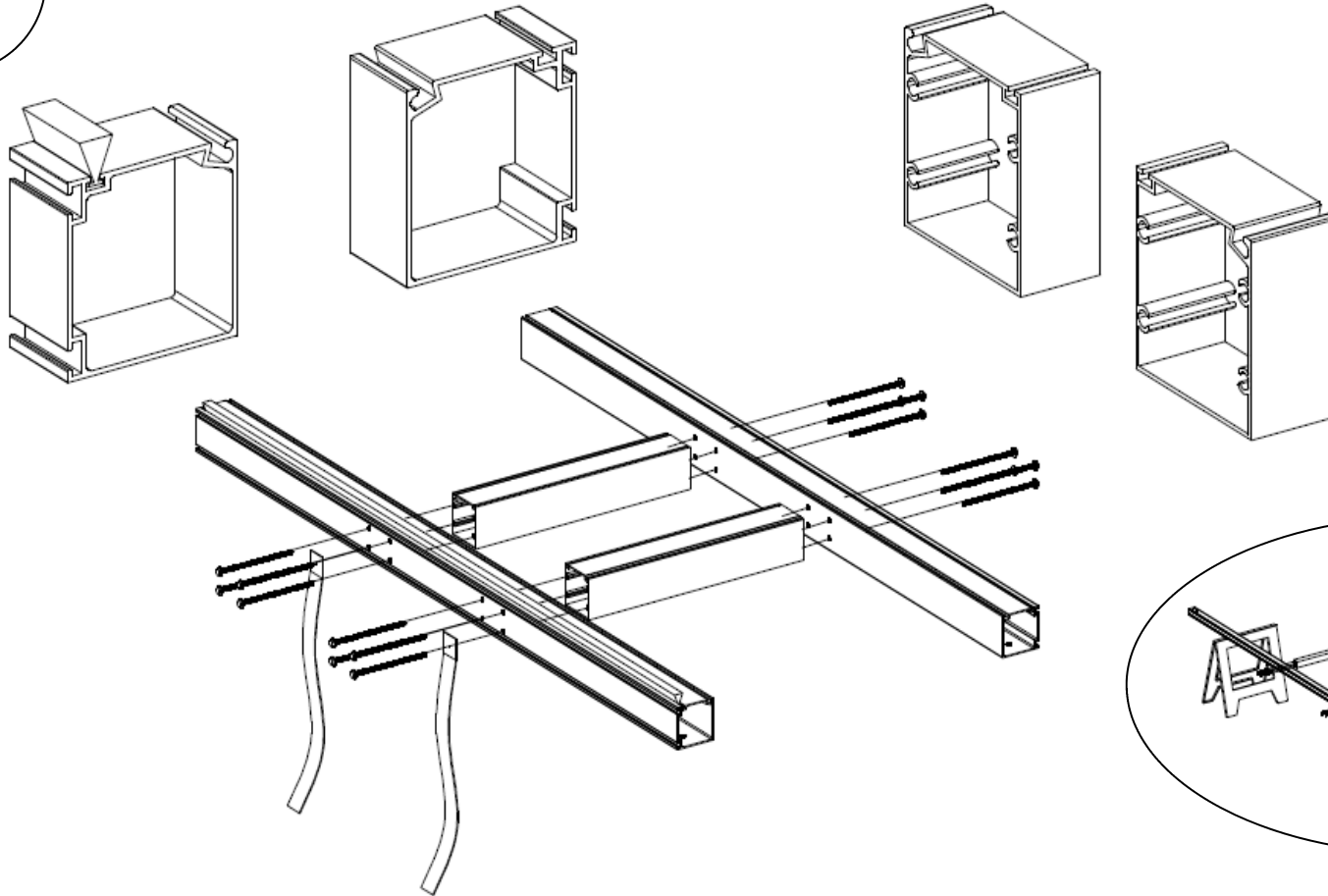
- 1. Open only the frame bag at this time.**
2. Lower the garage door to take the load off of the primary tracks.
3. Remove the bolts that connect the primary tracks to the existing back hang, install 2' Lifestyle perforated angle using existing bolt and the 5/16"x 1" bolt found in the frame bag.



3

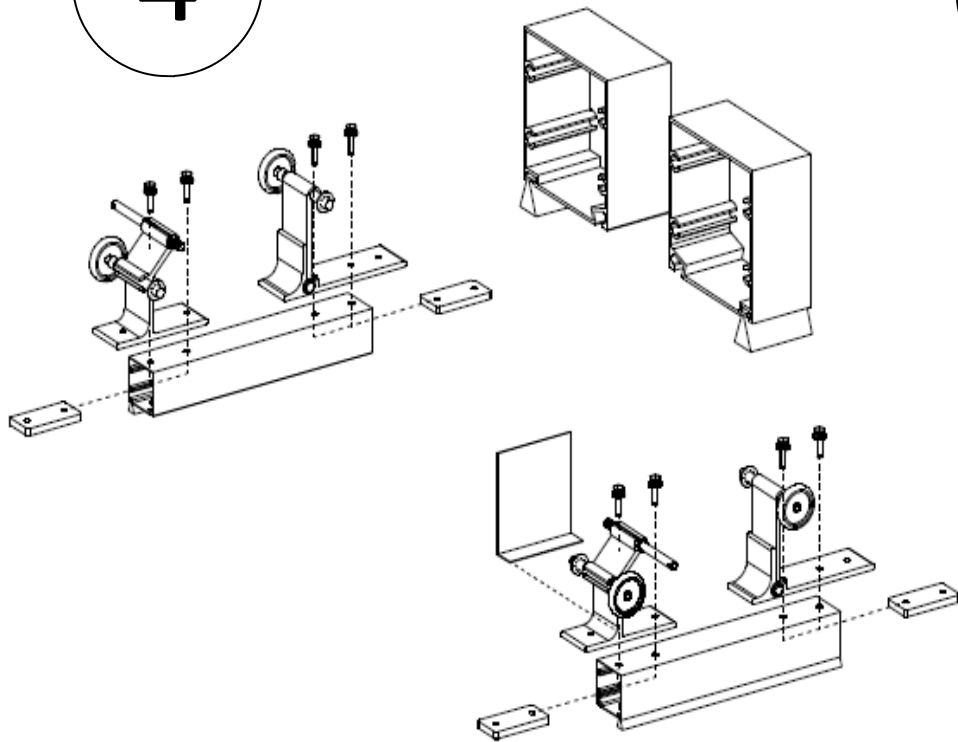
### Horizontal extrusions

### Vertical extrusions



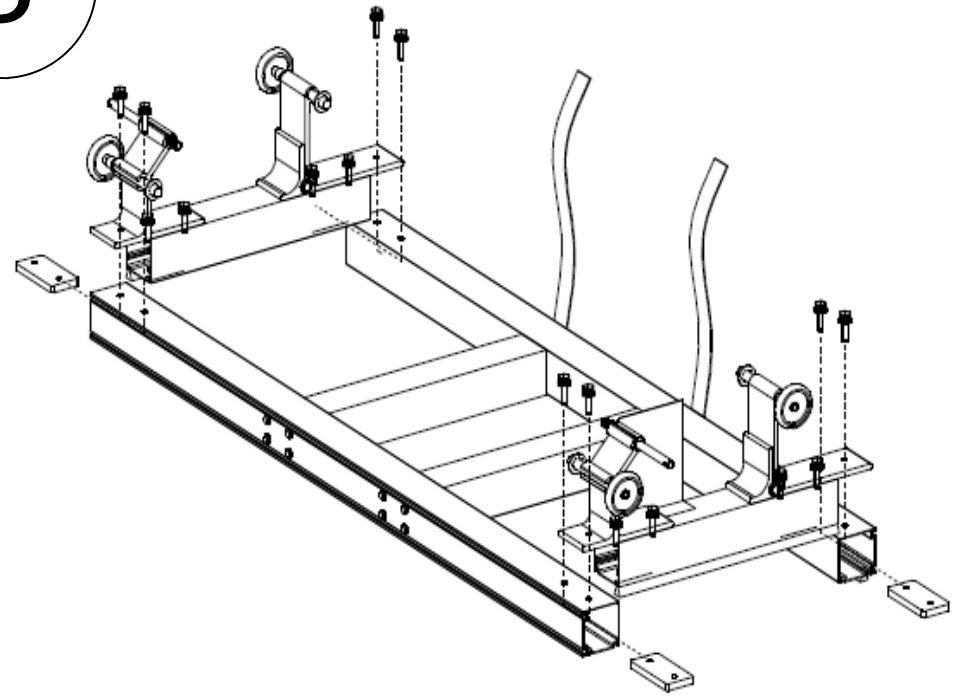
1. Four saw horses are highly recommended to assemble the Lifestyle frame
2. Arrange the extrusions as shown above.
3. Fasten the four frame members together with 16—4" screws using a 1/4" magnetized nut driver.
4. Fasten the nylon straps with two of the frame screws using the two outer holes closest to the back of frame .

4



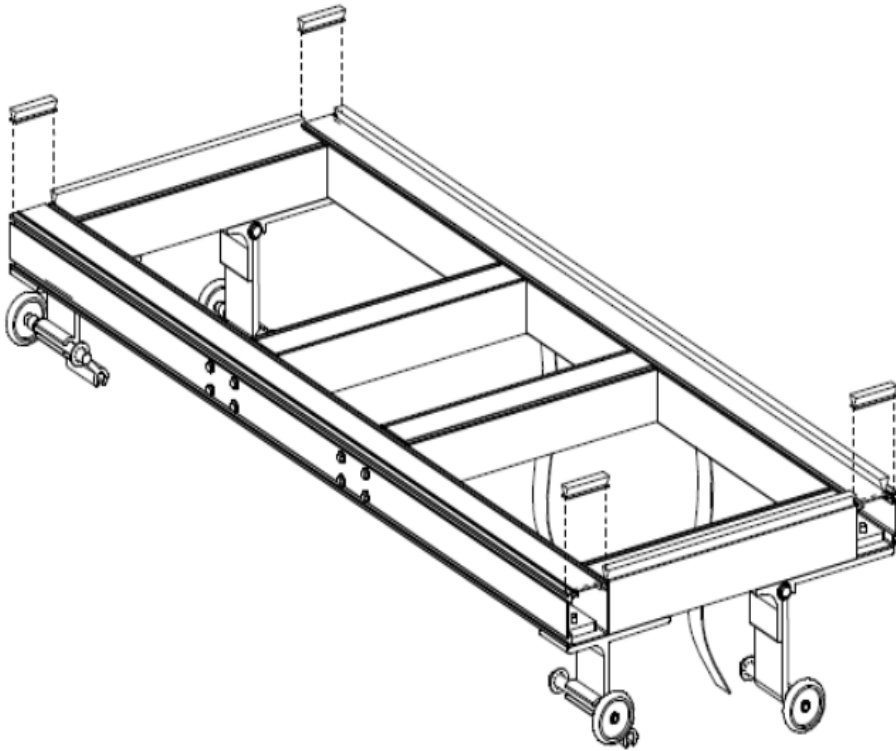
4. Arrange the two vertical frame members so the pre-installed weather stripping is on the outer edge and facing down. Insert the backer plates at each end of frame members and attach wheel brackets using the  $\frac{1}{4}$ -20x3/4" flanged head bolts found in the frame bag. The black plastic photo eye shield will slide between frame and bracket before doing the final tightening.

5



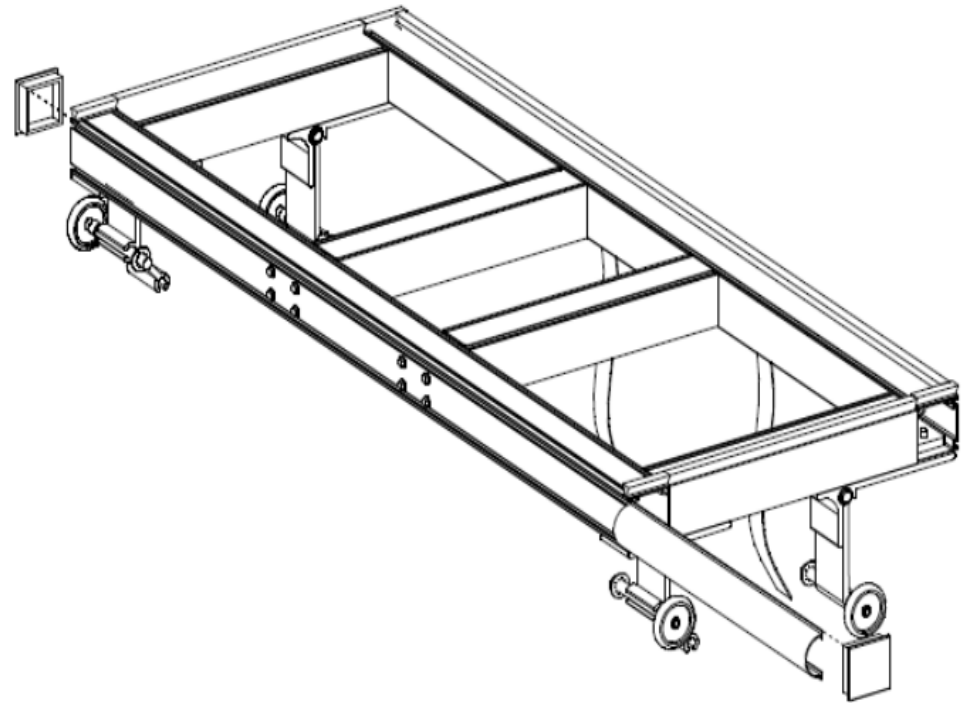
5. Attach wheel brackets to the ends of the horizontal frame members by inserting backer plate and fastening with  $\frac{1}{4}$ -20x3/4 flange head bolts found in frame bag. Before tightening make sure wheel brackets are flush with the outside of frame –Top, bottom and side.

6



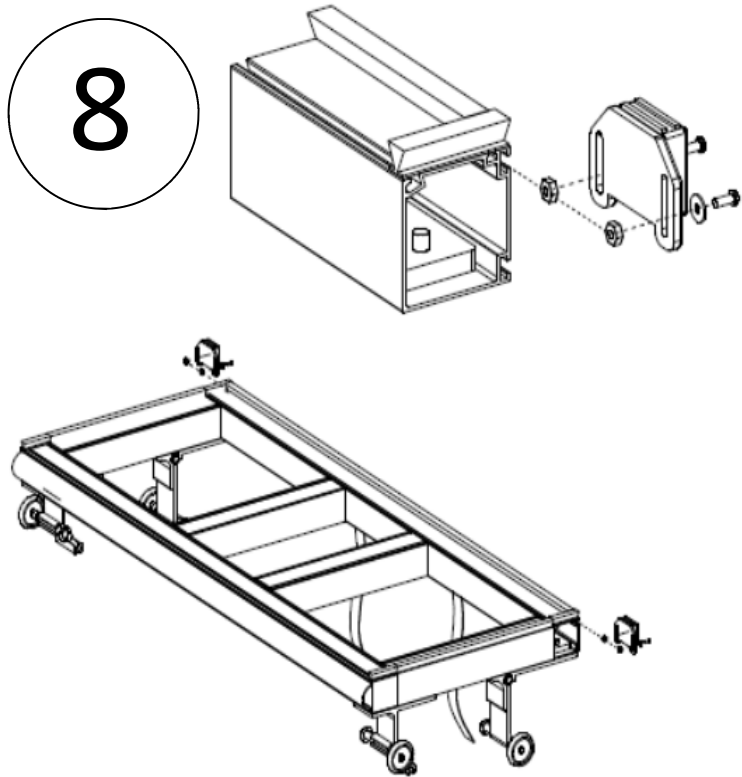
6. Flip frame over so spline grooves are facing upward and apply the four 2" 3M weather seals flush with the ends of the horizontals

7

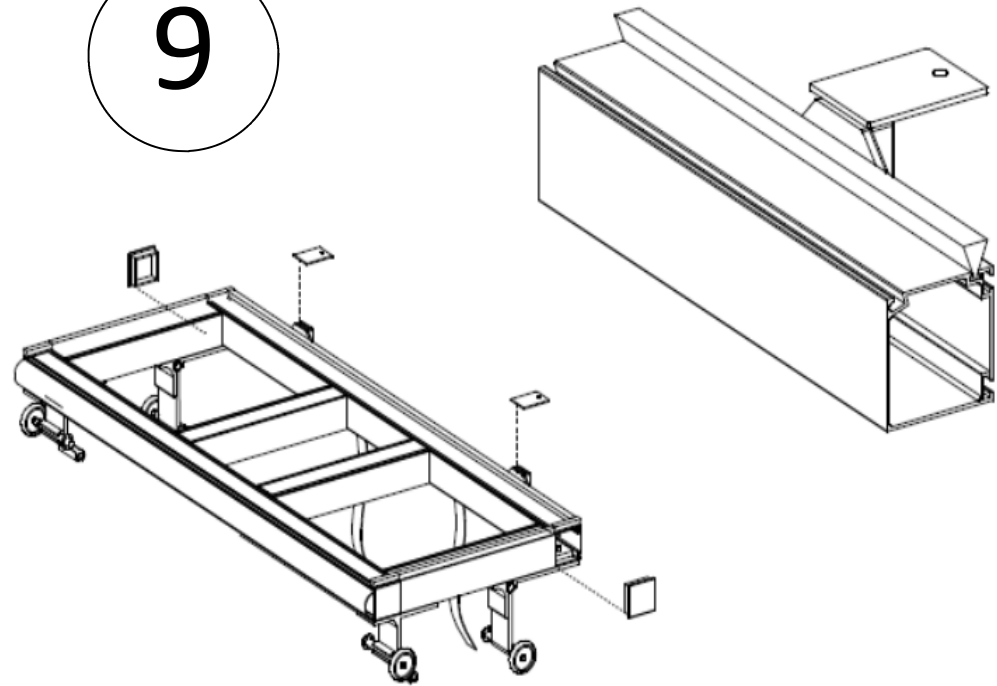


7. Spray the t-slots at the bottom of the door lightly with silicone spray and install the rubber astragal the entire length. Cut astragal about an 1 1/2" long and force the excess into the slots and then install 2" black end caps at each end.

8



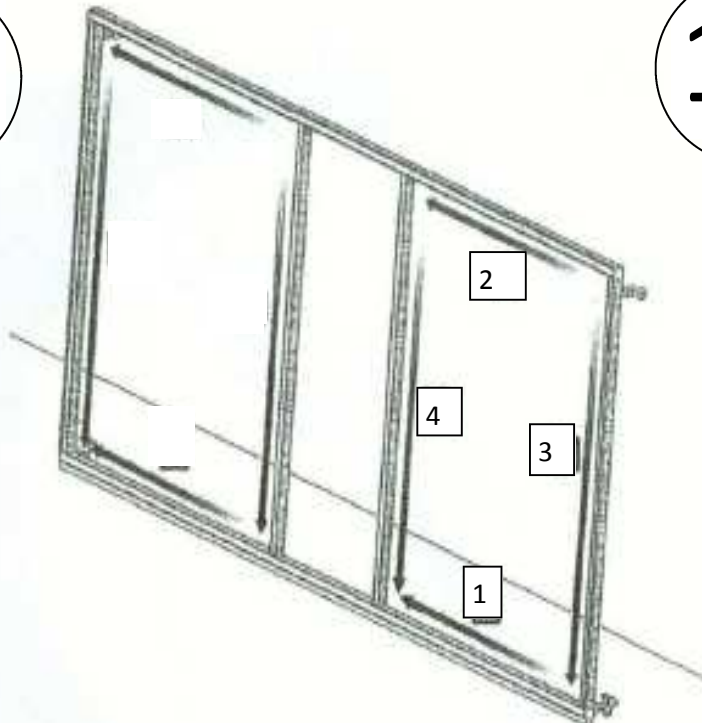
9



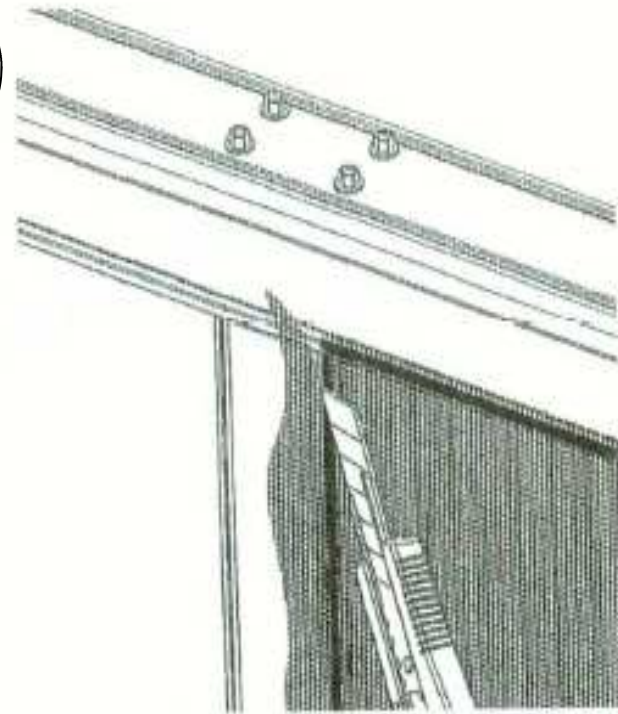
8. Assemble the magnets as shown above: Insert the nut into the upper t- slot and slide the magnet to the center of screen bay then tighten.

9. Insert 2" end plugs at the ends of top horizontal using a hammer and attach striker plate to magnet before putting the Lifestyle door into opening.

10



11



**10.** Position the screen mesh so that it is flush with the bottom outer edge of frame and past the vertical by at least 2", begin rolling the screen from right to left working in 6" intervals making sure the screen stays flush with the frame (See 1 above). Pull the other end of screen toward the top of frame making sure the margin of the screen is parallel with the vertical frame member, then roll the spline again from right to left working in 6" intervals (See 2 above) and keeping the screen taut. Repeat these steps for 3 and 4 above. Rolling each from top to bottom in turn.

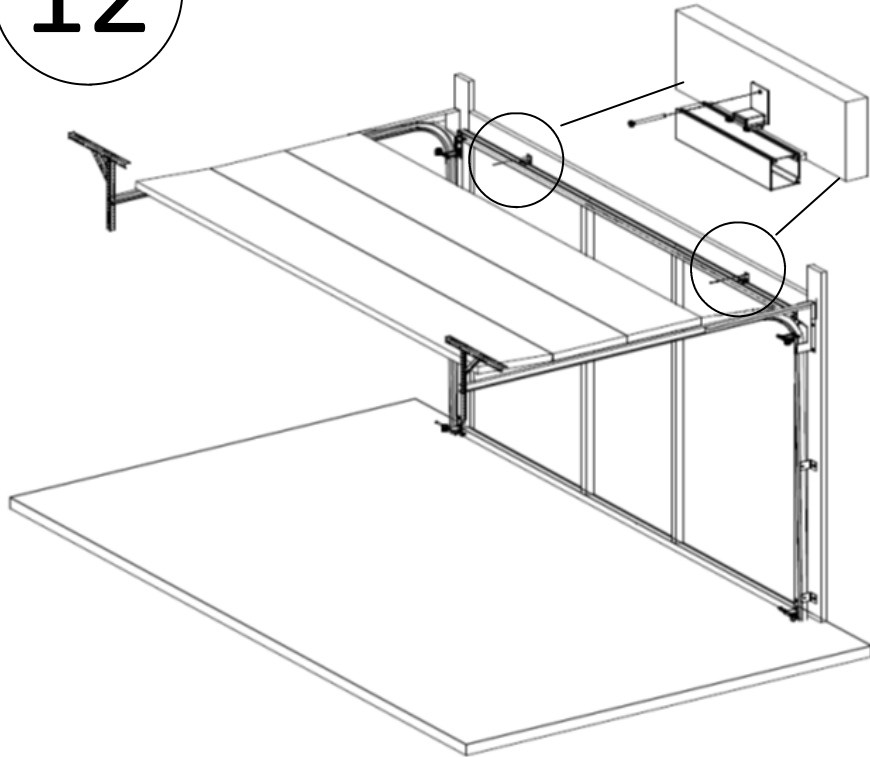
**11.** Trim the screen by dragging the tip of the utility knife on outer edge of spline groove and applying medium pressure. **Always** use a sharp blade when trimming screen and be sure that you trim the edge to the outside of the screen bay.

**Want to see more on screening?**

**Visit:** [www.YouTube.com/LifestyleScreens](http://www.YouTube.com/LifestyleScreens) and click on the screening made easy video or contact your sales rep.

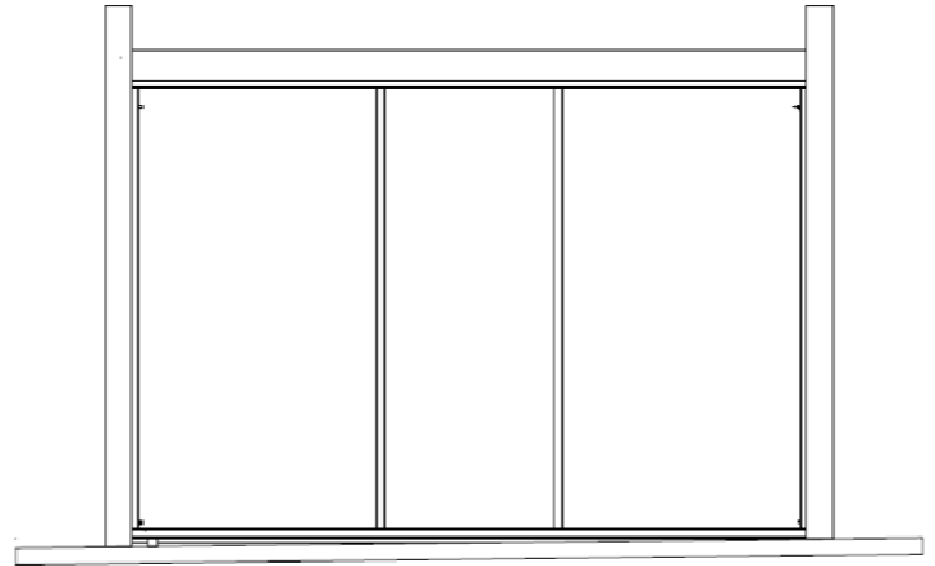
**We recommend strongly that you watch this video.**

12



**12.** Center the screen frame between primary tracks and fasten the striker plates using 1 1/2" wood screw found in frame bag .

13

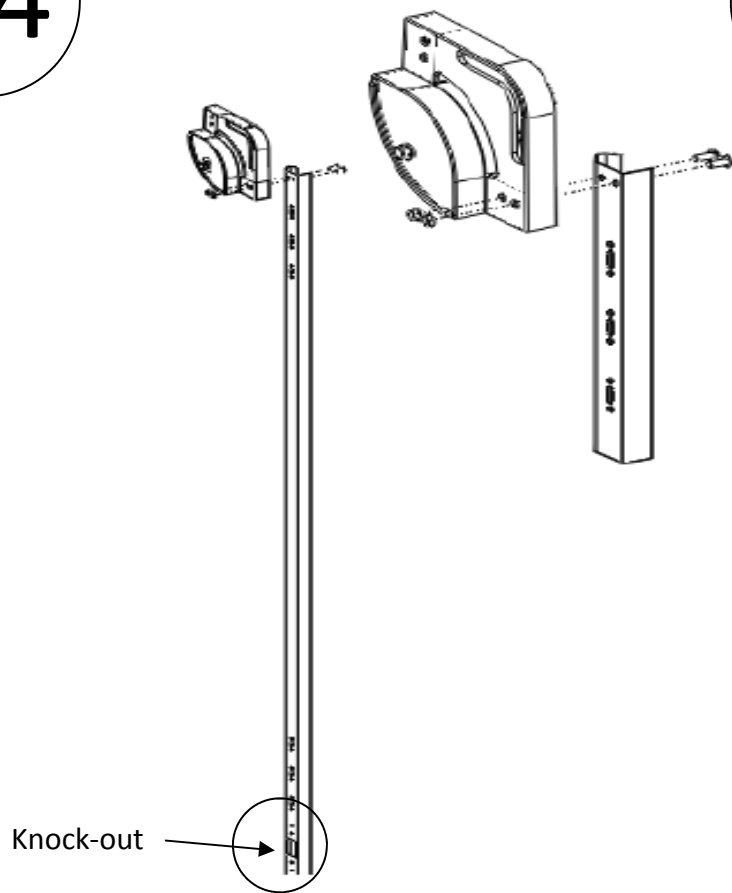


**13.** Level the screen frame with the opening, making sure you have the same margin across top. If frame is not level, shim the low side as shown above.

The bottom seal will fill this area when shim is removed .

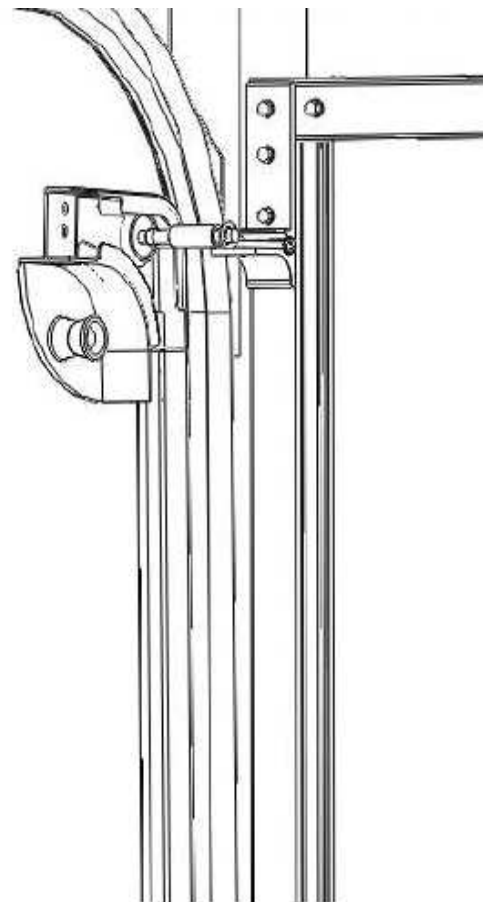
**Note: this must be done before installing tracks**

14



**14.** Open the track bag next and bolt track curve to the vertical track using 5/8" track bolts and 1/4" serrated nuts. Make sure the track knock-out hole is located at the opposite end, that will be closest to the floor. Remove the knock-out using a hammer and screwdriver.

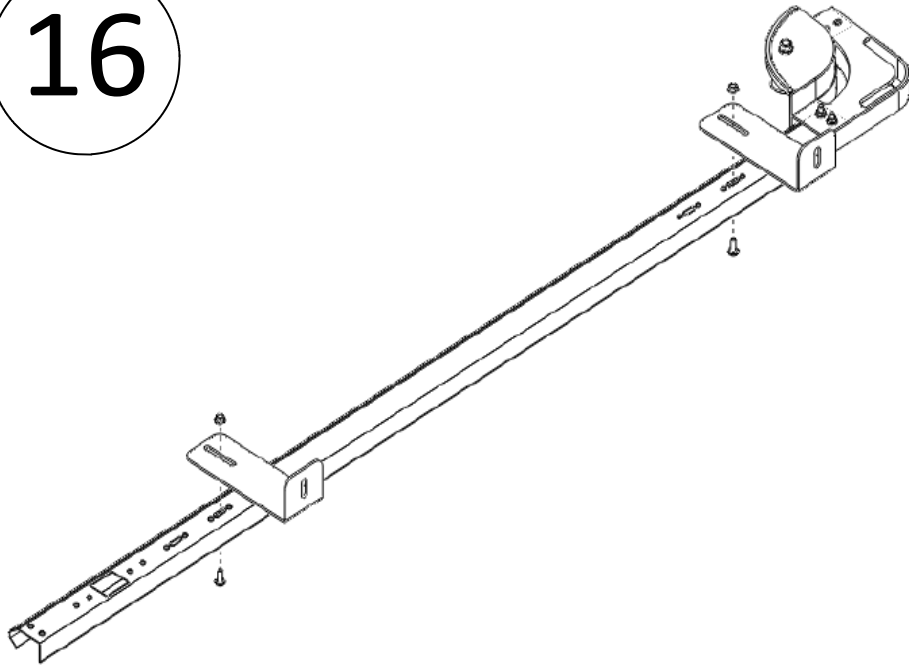
15



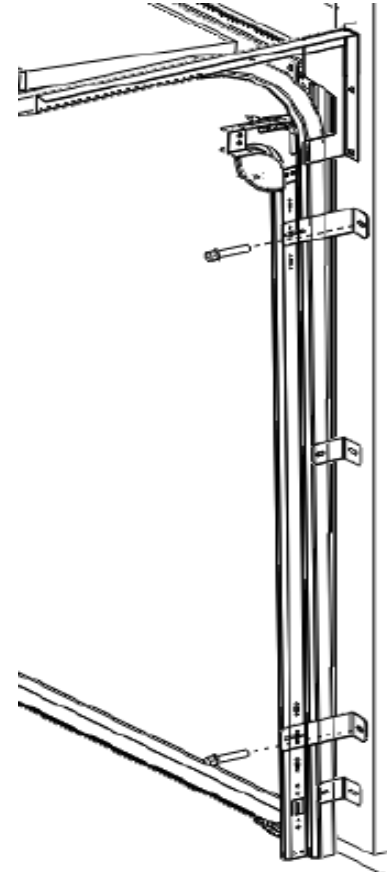
**15.** Hang the track curve and vertical on the top wheel bracket and mark one hole at the top and one hole at the bottom this will ensure that there is no interference when installing the Lifestyle jamb brackets.  
**Note:** if track curve doesn't hang on the wheel, the vertical track should be trimmed at the bottom.



16



17



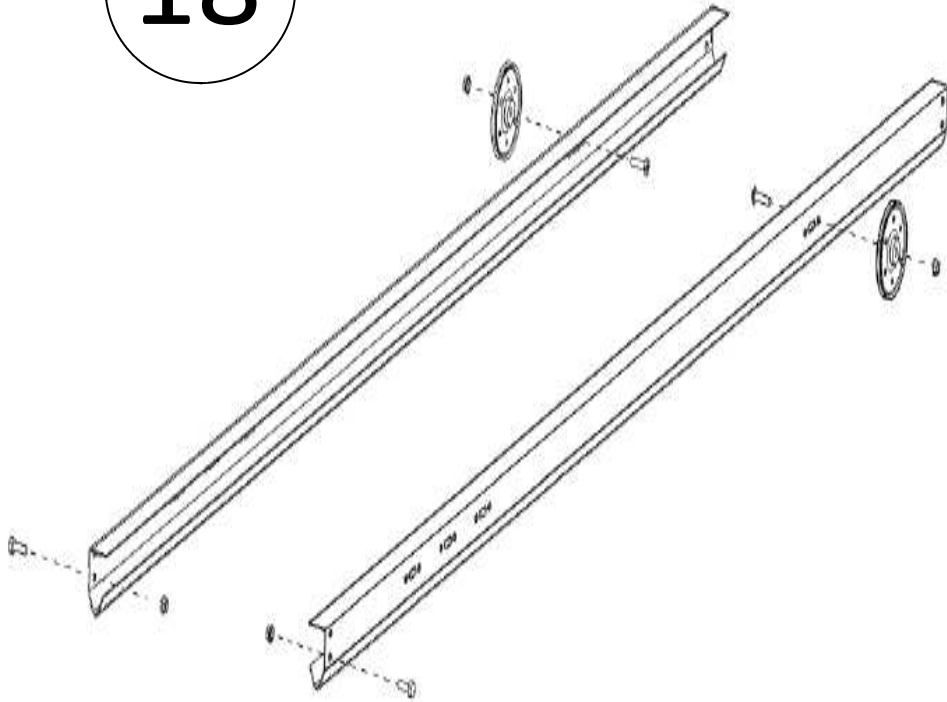
**16.** Bolt jamb bracket to vertical track using the 5/8" track bolt and 1/4" serrated nut found in the track bag.

**Note:** Hand tighten bolts

**17.** Slide the track on to the wheels , make sure jamb brackets are against primary track and fasten jamb brackets to jamb using the 1.5" lag bolts found in track bag. Slide the track curve up against the primary track and tighten top track bolt.

**Most important for bottom bracket:** Slide the door toward the jamb until the weather-stripping just touches the jamb and tighten bottom track bolt.

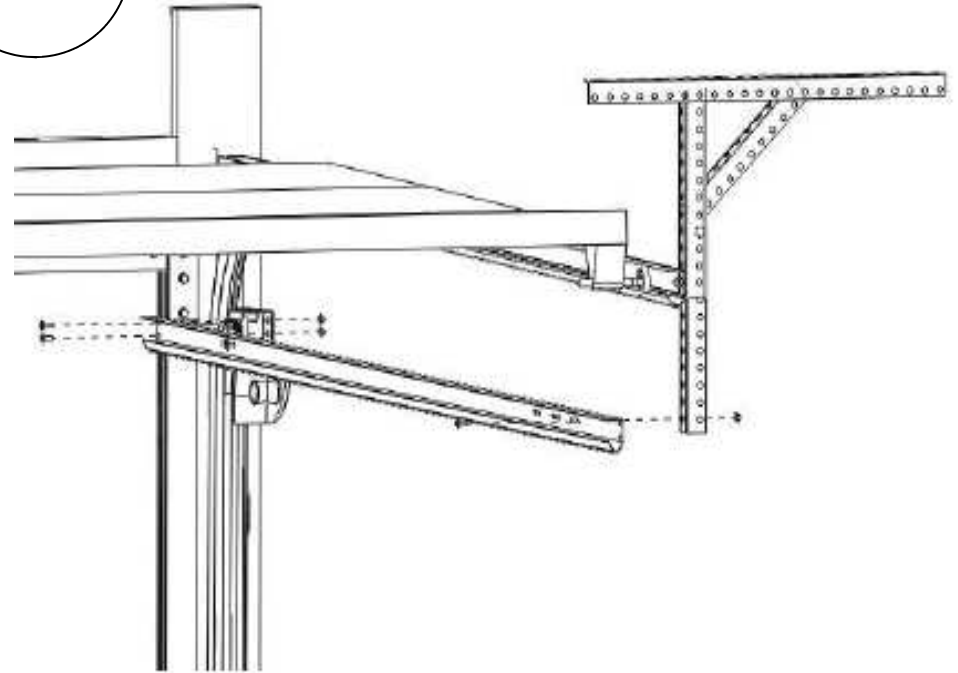
18



18. Arrange the horizontal tracks so they are opposite pairs. Bolt the 3" sheaves with the **1/4" bore** to the horizontal tracks using the 1" track bolts and 1/4" flange nuts found in track bag. Make sure the 3" sheave are mounted in the holes that are positioned 17" from the end of track.

Install 1/4"x 3/4" stop bolts toward the inside of track making sure the long portion of bolt and nut are inside of track.

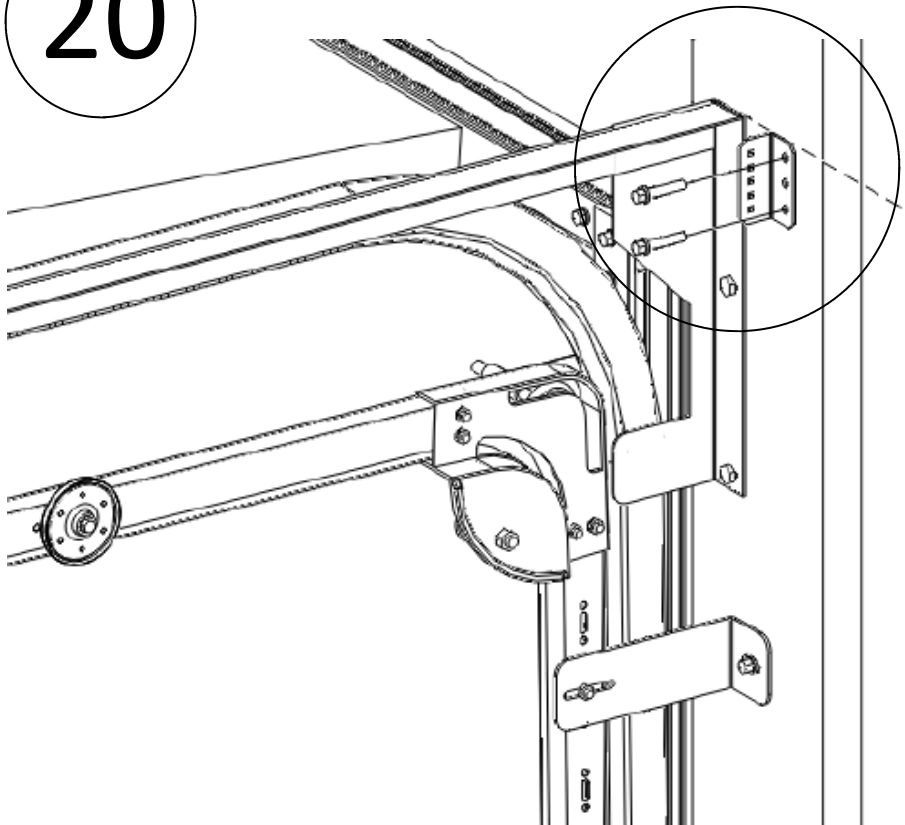
19



19. Bolt the horizontal track to the track curve and the Lifestyle perforated angle using the 5/8" track bolts and 1/4" serrated flange nuts. Cut excess perforated angle flush with the bottom of horizontal.

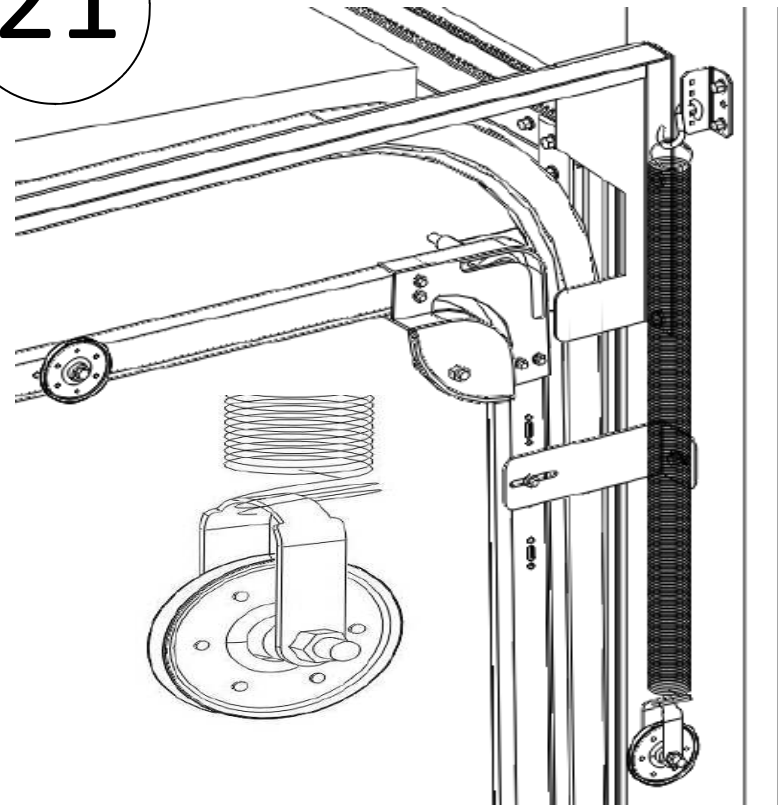
**Note:** The distance between the primary track and the Lifestyle track will vary due the different types of j-arms, so it is best to trim the excess perforated angle off the back hang after you have verified sufficient clearances.

20



**20. Open the counter balance bag next.** Position the spring bracket where it is even with the horizontal angle of the primary door and a 1/2" away from the vertical flag bracket as shown above. Fasten with 5/16"x 1.5" lag bolts found in counter balance bag.

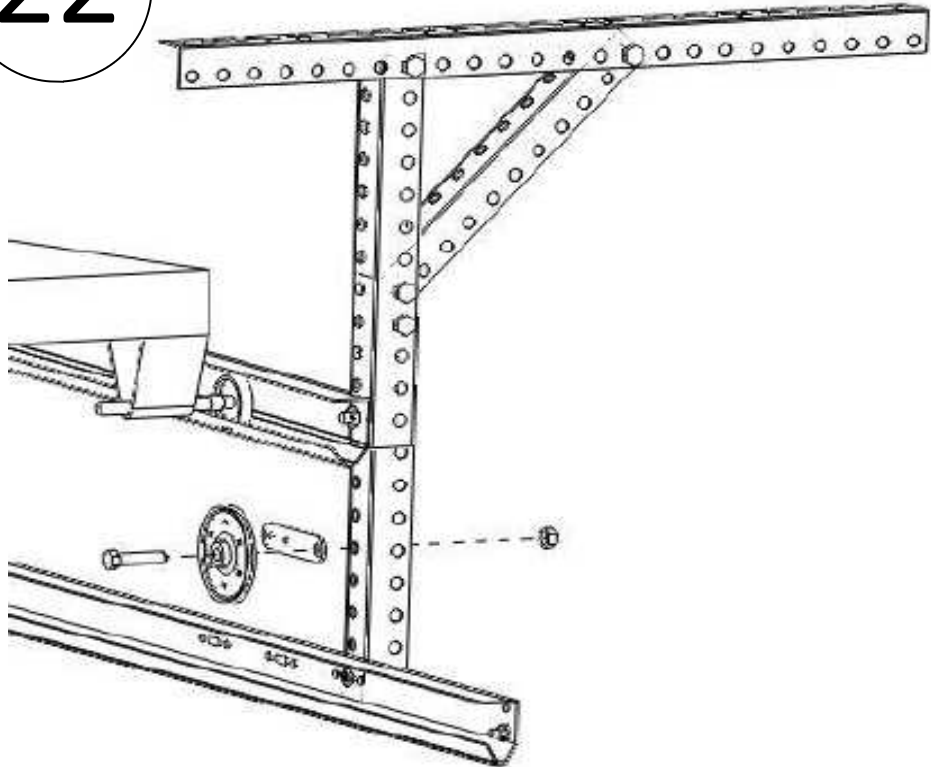
21



**21.** Position the sheave fork through the eye of the spring and attach the 3" sheave using the 1.5" x 3/8" bolt and 3/8" nut found in the counter balance bag. Position the s-hook through the opposite end of the spring and hook it into the center hole on the spring bracket.

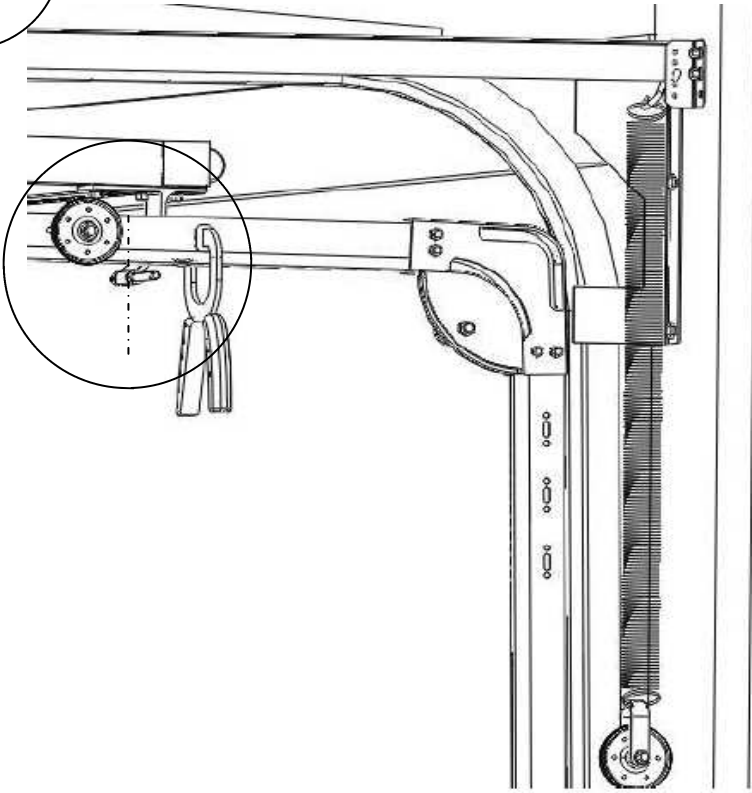
**Note:** When hanging the spring make sure the nut and the longer portion of bolt are facing outward.

22

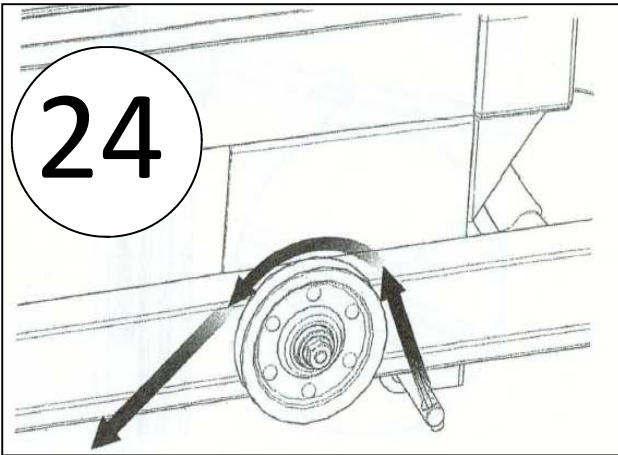


22. Place 1.5"x 3/8" bolt through the 3" sheave, then through the tie off plate and attach these to the Lifestyle perforated angle by using a 3/8" nut found in the counter balance bag.

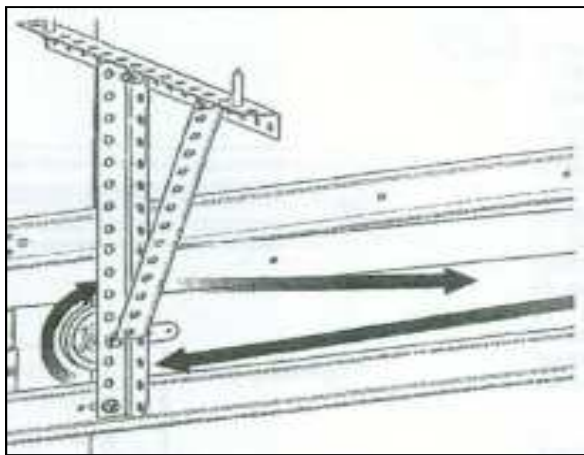
23



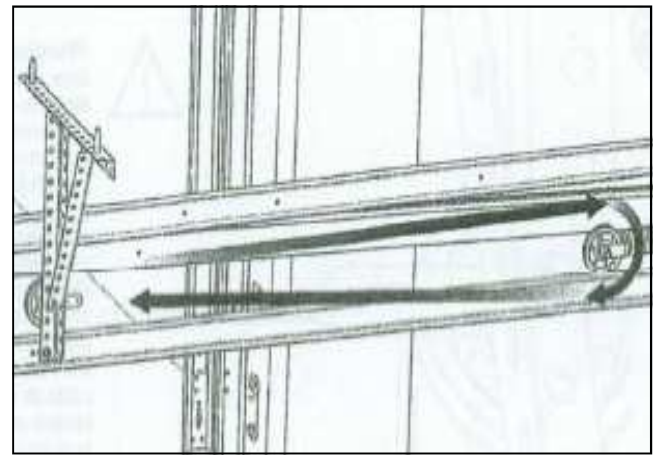
23. Lift the door to it's horizontal position and push the door back until the cable pin is even with the front of the 3" sheave, then place a clamp in front of the roller to hold the frame in this position while the cables are being routed. **Note: If necessary adjust the position of the e-clips on the cable pin so that the hole on cable pin lines up with the vertical center of 3" sheave.**



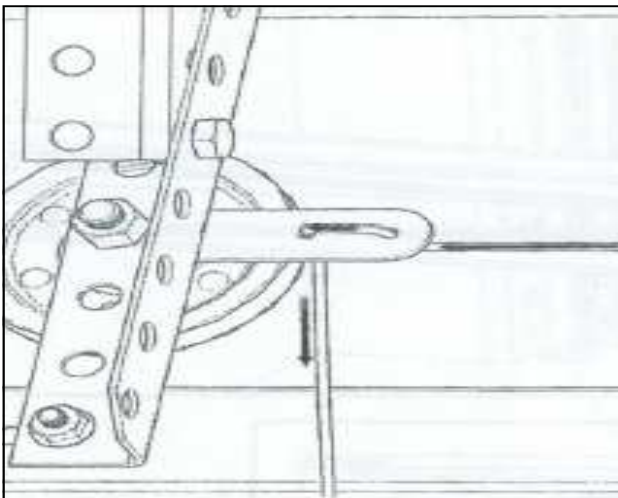
1. Route the cable through the bored side of cable pin and over the 3" sheave. Pull the cable until the cable stop is seated into the bore.



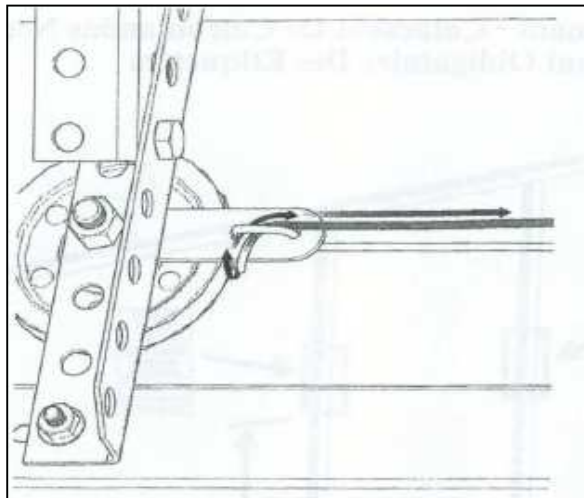
2. Route the cable under and over the back 3" sheave and proceed to the front.



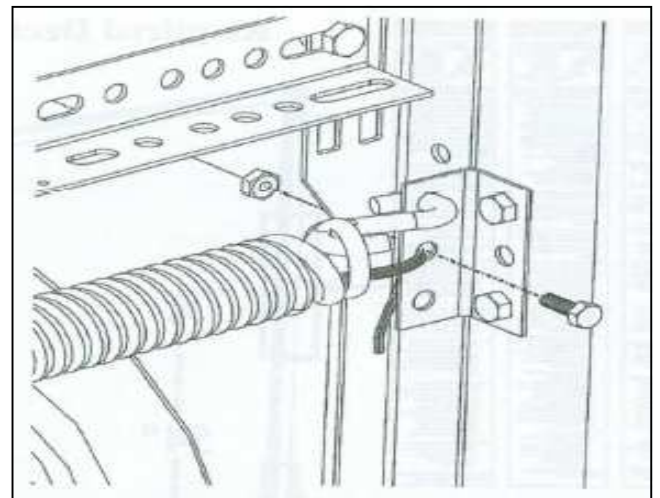
3. Route the cable over and under the 3" sheave that is attached to spring with the nut and the long portion of bolt facing outward.



4. Route the cable through the first hole of the tie off plate then back into the second hole, then set required spring stretch that the manufacturer's have supplied in manual.

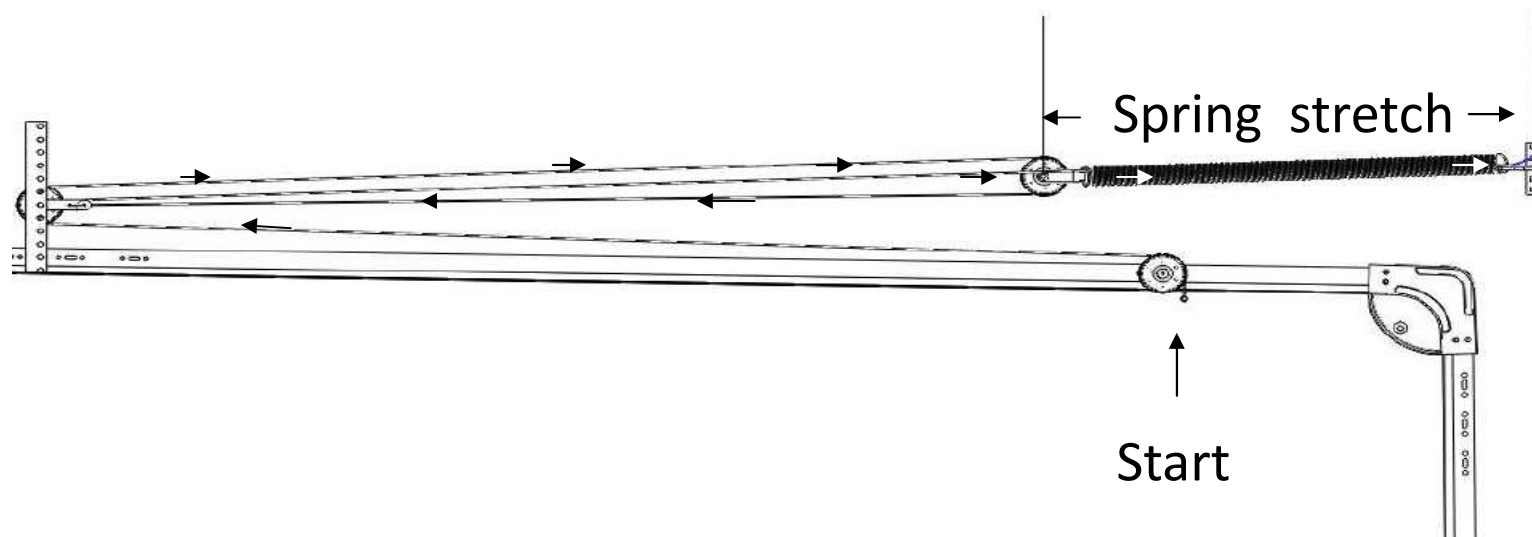


5. Route cable under the tie off plate then through the pinch loop. Route the remaining cable through the center of the spring.



6. Tie the cable off to the spring bracket using 1/4" x 3/4" bolt and 1/4" serrated flange nut.

# Lifestyle spring stretch chart for 7' and 8' models



These are the manufacturer's suggested pre-stretches for the specific springs supplied in each Lifestyle Screens kit.

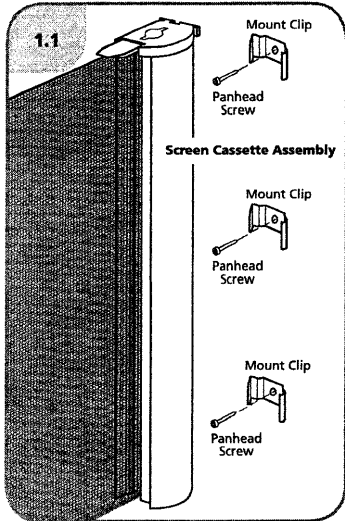
## With the center retractable

7' Models	Stretch	8' Models	Stretch
6' x 7'	33"	8' x 8'	46"
8' x 7'	34"	9' x 8'	47"
9' x 7'	35"	10' x 8'	47"
10' x 7'	35"	12' x 8'	48
12' x 7'	32"	14' x 8'	42"
14' x 7'	33"	16' x 8'	43"
16' x 7'	34"	18' x 8'	44"
18' x 7'	34"		

## Without the center retractable

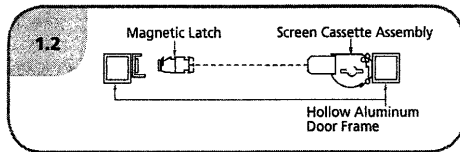
7' Models	Stretch	8' Models	Stretch
6' x 7'	35"	8' x 8'	42"
8' x 7'	36"	9' x 8'	42"
9' x 7'	37"	10' x 8'	43"
10' x 7'	38"	12' x 8'	43"
12' x 7'	32"	14' x 8'	45"
14' x 7'	33"	16' x 8'	47"
16' x 7'	34"	18' x 8'	47"
18' x 7'	35"		

## RETRACTABLE SCREEN DOOR INSTALLATION INSTRUCTIONS

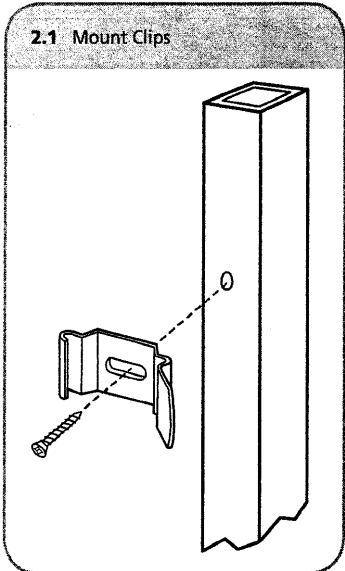


### 1 MOUNTING

The Screen Cassette Assembly will be mounted using Mount Clips inside the aluminum door frame in the center of the garage screen.

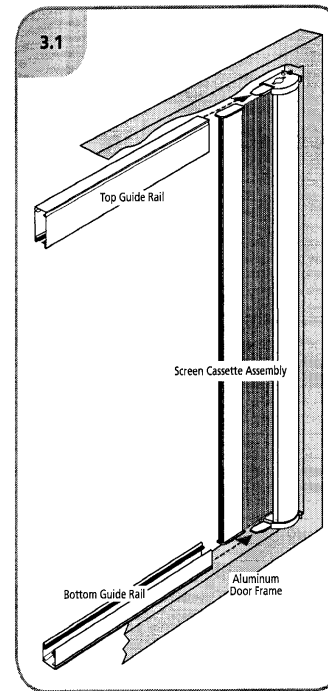
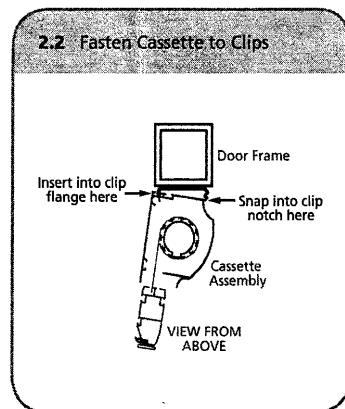


From the outside looking in, **ALWAYS** mount the Screen Cassette Assembly on the right hand vertical frame stud and with the rounded side of the Screen Cassette facing towards the outside.



### 2 INSTALLING THE CASSETTE

Using Panhead Screws, install the Mount Clips 10" from the top and bottom of the door opening, and one in the center [2.1]. Fasten the Screen Cassette Assembly onto the Mount Clips [2.2].



### 3 POSITIONING THE RAILS

Slide the Top and Bottom Guide Rails fully onto the tabs on the top and bottom of the Screen Cassette Assembly [3.1].

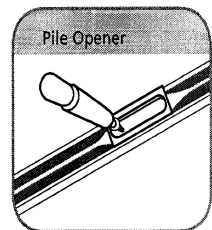
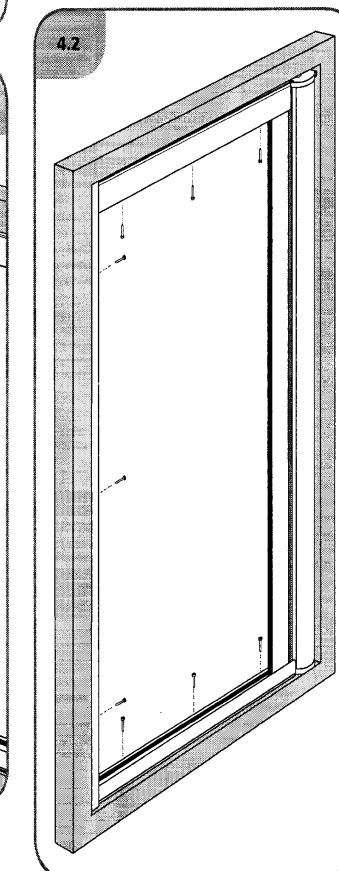
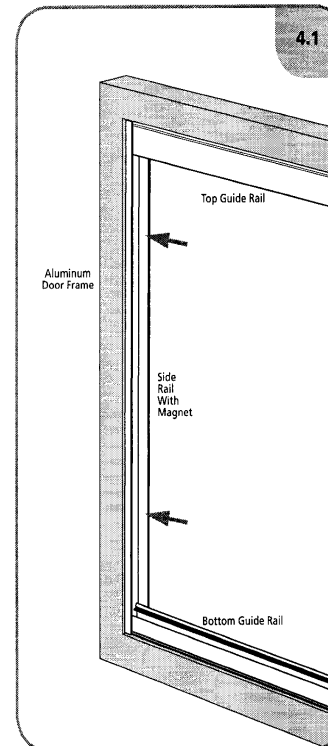
**NOTE: The Top & Bottom Rail both have a decorative trim groove on one side. This groove should always face outward.**

### 4 POSITION SIDE RAIL WITH MAGNET AND SECURE ALL RAILS WITH SCREWS

Angle the Side Rail with Magnet behind and over the Top and Bottom Guide Rail, so that both are positioned inside the flanges of the Side Rail [4.1].

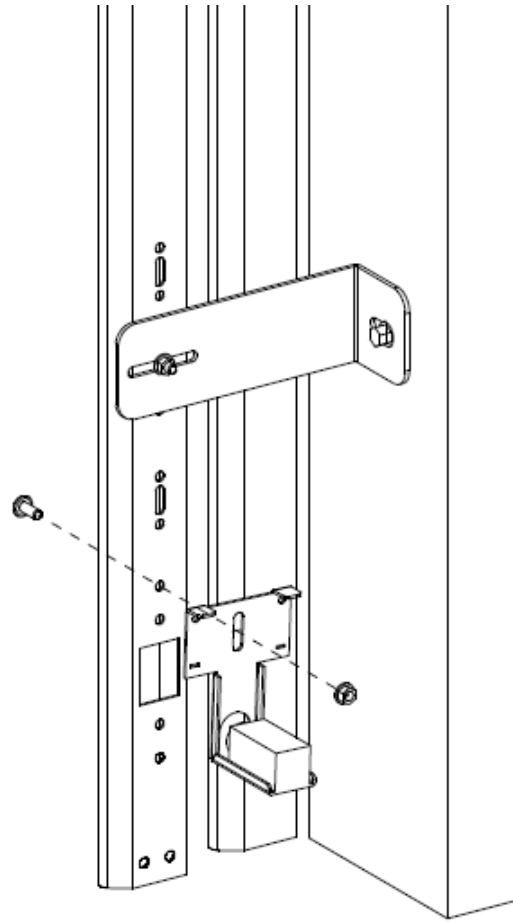
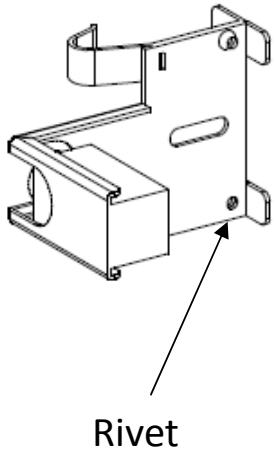
Secure the Bottom Guide Rail, Top Guide Rail and Side Rail with Magnet with three Panhead Screws each. Position screws 6 inches (150mm) in from each end and center the middle one [4.2].

When installing the Bottom and Top Guide Rail, use the convenient Pile Opener included with this kit, to temporarily separate the two insect piles. This will make for easier viewing and installation of the screws.



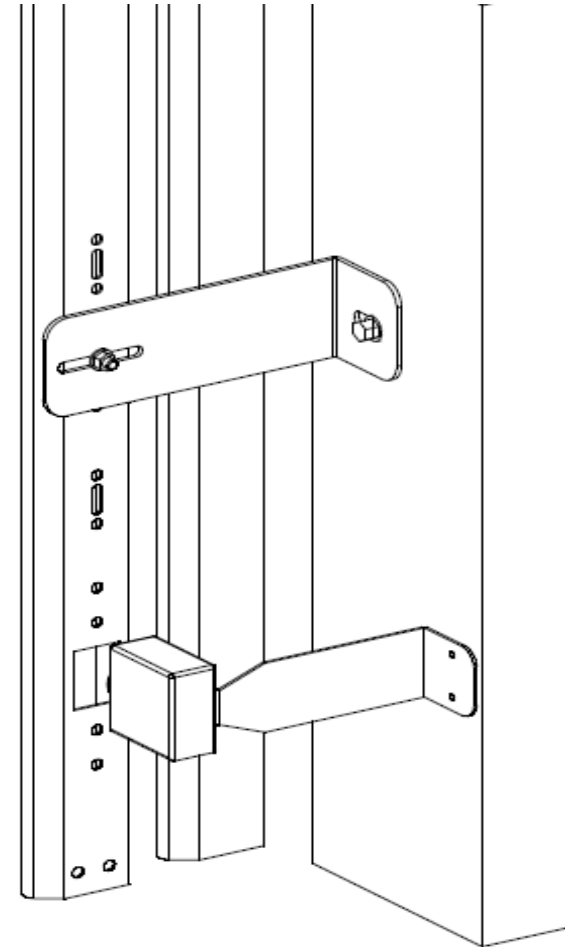


26



Clip-on sensor

**26.** Remove the clip-on sensor from the primary track. Drill the rivets on sensor with a 1/4" drill bit and remove the clip portions. Bolt the sensor on to the Lifestyle track using a 1/4" x 5/8" track bolt and 1/4" serrated nut found in counter balance bag.



Jamb mount sensor

**26.** Remove the screws holding the sensor to the jamb. Reposition the sensor so the eye of the sensor is lined up with the knock out hole on the Lifestyle track and re-install screws .

# Required Decal Placement • Colocacin De Calcomanõas Necesaria Placement Obligatoire Des Etiquettes

**AVERTISSEMENT**

Les supports de bas de porte comportent DES RESORTS sous HAUTE TENSION et peuvent causer des blessures graves voire des décès si on les manipule.

N'enlevez PAS et NE manipulez PAS les écrous, les vis ou les boulons qui sont de couleur rouge.

Les réparations et les ajustements doivent être effectués par un responsable d'entretien formé avec les outils et les instructions appropriés.

N'ENLEVEZ PAS, NE COUVREZ PAS, N'ENDUISEZ PAS CETTE ETIQUETTE DE PEINTURE.

**PELIGRO**

Los abrazaderas inferiores de la puerta tienen ALTA TENSION DE RESORTE y pueden provocar lesiones graves o la muerte si se los toca.

NO retire ni toque ningún sujetador, tornillo ni perno de color rojo.

Una persona de mantenimiento capacitada debe realizar las reparaciones o los ajustes utilizando las herramientas adecuadas y siguiendo las instrucciones que correspondan.

NO RETIRE, CUBRA NI PINTÉ ESTA ETIQUETA.

**WARNING**

Bottom door brackets are under HIGH SPRING TENSION and can cause severe injury or death if tampered with.

DO NOT remove or tamper with any fasteners, screws or bolts which are red in color.

Repairs or adjustments must be made by a trained service person using proper tools and instructions.

DO NOT REMOVE, COVER OR PAINT OVER THIS LABEL.

**INSTRUCTIONS DE SECURITE**

Une porte intérieure coulissante est un objet qui se déplace et qui est susceptible de causer des blessures graves voire des décès si on ne s'en préoccupe pas.

1. Maintenez la porte bien visible et évitez d'obstruer la vue sous le battant.
2. Ne touchez pas à nos supports de base fonctionnels.
3. Ne touchez pas, ne forcez pas la porte et ne manipulez pas les écrous, les vis ou les boulons qui sont de couleur rouge.
4. Ne vous appuyez pas sur la porte.
5. Ne touchez pas les parties mobiles de la porte.
6. Ne touchez pas les parties mobiles de la porte.
7. Ne touchez pas les parties mobiles de la porte.
8. Ne touchez pas les parties mobiles de la porte.
9. Ne touchez pas les parties mobiles de la porte.
10. Les réparations et les ajustements doivent être effectués par un responsable d'entretien formé avec les outils et les instructions appropriés.

**INSTRUCCIONES DE SEGURIDAD**

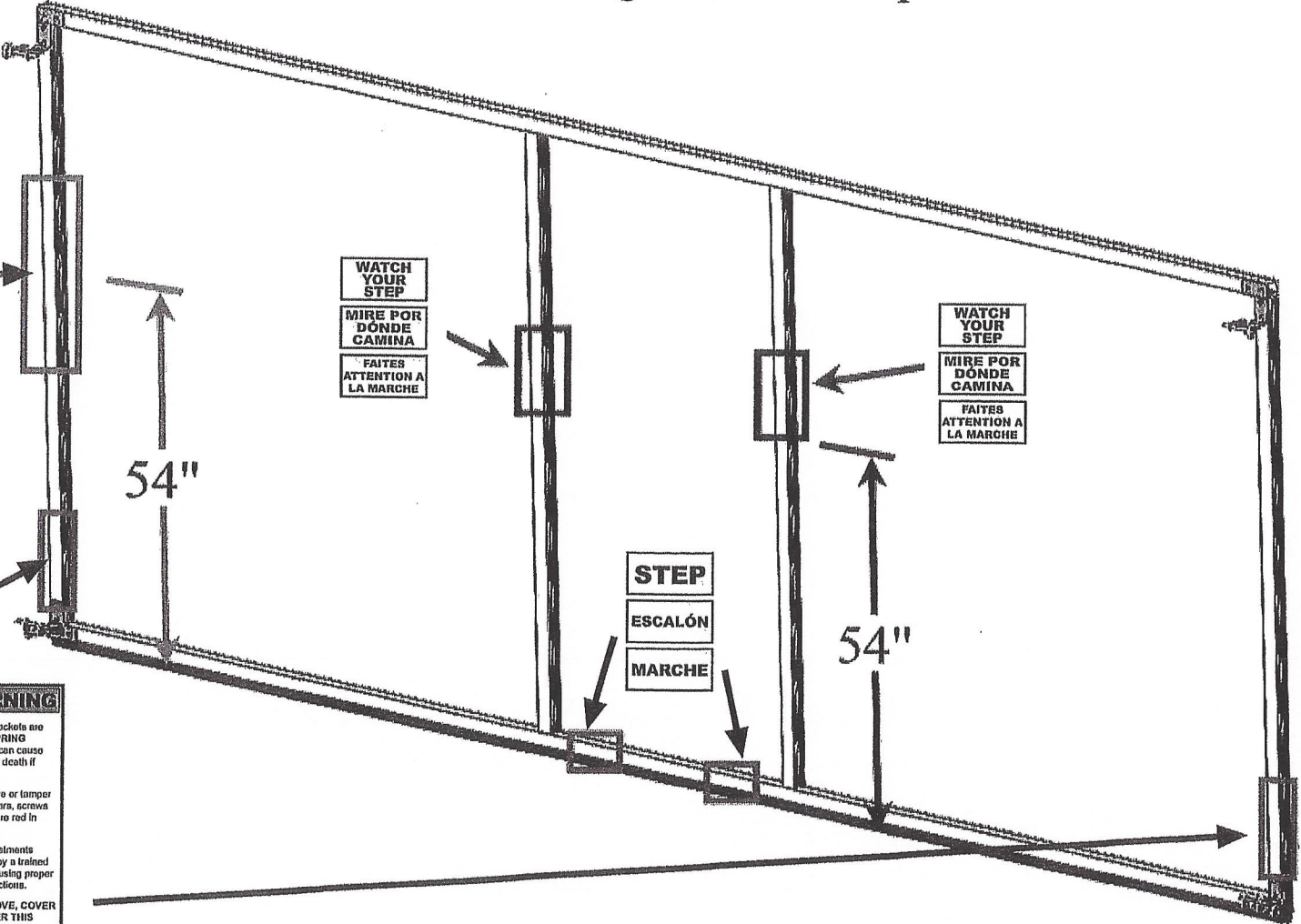
Una puerta corredera interior es un objeto que se mueve y puede causar lesiones graves o la muerte si no se presta atención.

1. Mantenga la puerta bien visible y evite obstruir la vista.
2. No toque los soportes de la puerta.
3. No toque las partes móviles de la puerta.
4. No se apoye en la puerta.
5. No toque las partes móviles de la puerta.
6. No toque las partes móviles de la puerta.
7. No toque las partes móviles de la puerta.
8. No toque las partes móviles de la puerta.
9. No toque las partes móviles de la puerta.
10. Las reparaciones y los ajustes deben ser realizados por un técnico capacitado utilizando las herramientas adecuadas y siguiendo las instrucciones que correspondan.

**SAFETY INSTRUCTIONS**

An overhead screen door is a large, heavy object that moves with the help of springs that are under high tension. Improper use or tampering with the door can cause serious injury or death. Your safety, the safety of others and the proper operation of the screen door depend on you doing the following:

1. Keep the door in full view and free of obstruction while opening.
2. Do not force children to reverse the door.
3. Do not operate the door if any one or more persons, pets or other animals are in the door opening.
4. Do not lean or place any pressure force on the screen door's top.
5. Do not stand on anything when opening the door.
6. Do not place fingers, hands or other body parts in between the door and door opening. Keep hands and other body parts away from all spring and cables while opening the door.
7. Do not open the screen door when the screen door is in the closed position or is otherwise obstructed by anything.
8. Do not remove or tamper with the parts or parts located on the screen door. This prevents the spring door from doing its job and may cause the door to break.
9. Check the screen door regularly for wear or damage. The door should not be used when it is damaged or when it does not operate properly.
10. Repairs and adjustments must be made by a trained service person using proper tools and instructions.



**AVERTISSEMENT**

Les supports de bas de porte comportent DES RESORTS sous HAUTE TENSION et peuvent causer des blessures graves voire des décès si on les manipule.

N'enlevez PAS et NE manipulez PAS les écrous, les vis ou les boulons qui sont de couleur rouge.

Les réparations et les ajustements doivent être effectués par un responsable d'entretien formé avec les outils et les instructions appropriés.

N'ENLEVEZ PAS, NE COUVREZ PAS, N'ENDUISEZ PAS CETTE ETIQUETTE DE PEINTURE.

**PELIGRO**

Los abrazaderas inferiores de la puerta tienen ALTA TENSION DE RESORTE y pueden provocar lesiones graves o la muerte si se los toca.

NO retire ni toque ningún sujetador, tornillo ni perno de color rojo.

Una persona de mantenimiento capacitada debe realizar las reparaciones o los ajustes utilizando las herramientas adecuadas y siguiendo las instrucciones que correspondan.

NO RETIRE, CUBRA NI PINTÉ ESTA ETIQUETA.

**WARNING**

Bottom door brackets are under HIGH SPRING TENSION and can cause severe injury or death if tampered with.

DO NOT remove or tamper with any fasteners, screws or bolts which are red in color.

Repairs or adjustments must be made by a trained service person using proper tools and instructions.

DO NOT REMOVE, COVER OR PAINT OVER THIS LABEL.

## FINAL CHECKS:

Ensure that all nuts and bolts are completely tightened and securely fastened. Ensure that warning decals are properly placed on the Lifestyle screen frame.

For seamless operation, there should be approximately 1" of sideways play in the Lifestyle garage screen frame when it is in the horizontal stored position. When the magnet catch is disengaged from the striker plates on the garage door jamb, the bottom horizontal of Lifestyle screen should automatically rise approximately halfway up the Lifestyle vertical track. If this does not occur, you may have to adjust the spring stretch to achieve this result.

The Milano retractable passage door should move freely from the closed position with the magnets engaged to the open position, complete coiled in the screen canister. If the passage door does not retract fully you may need to ensure that there are the correct number of winds on the screen mandrill. For the 7'H screens, there should be 12 winds on the mandrill and for 8'H screens there should be 14 winds on the mandrill. A video instruction on how to make these adjustments can be found at <http://www.geniusscreens.com/videos/>.

Adjust operator's photo sensors so that beam projects through the gap between the garage door track and the Lifestyle garage screen tracks. There is a knockout slug in the Lifestyle screen track that can be struck from the inside of the track to allow the beam to project through the track. Typically, the distance from the floor to the centerline of the beam is to be no more than 6" from the garage floor. Refer to the operator's instruction manual for correct vertical placement of the photo eyes. Ensure photo eye brackets are secured to prevent accidental dislodging. Operator will not function properly if beam is interrupted.

Check the permanent garage door to make sure it is operating as it should. Check to see if the operator arm needs to be adjusted back into a different position. If this needs to be done, the straight protruding portion of the straight portion of the operator arm that protrudes beyond the curved portion may need to be cut to avoid hitting the screen door or rubbing/ripping the screen material. You will also need to verify that your operator is adjusted properly to pull the garage door up and out of the opening so that the screen door will close securely against the garage opening header. **Important: Please refer to operator instruction manual for proper adjustment parameters. Do not exceed the operator manufacturer's recommendations for safe adjustment of the operator.**

**Adjusting the limit settings of the operator:** Check the limit settings. Start the operator by pushing the standard wall push button or remote button. Be prepared to activate the button again quickly – per operator's installation/operation manual – or if you see that the door is going to over travel. Adjust the up travel limit so that the door comes to rest 3-4" (7-11 cm) beyond where it normally would without an operator. This is the starting point for the upward travel adjustments. Proceed to adjust the downward travel so that the door closes firmly without putting undue stress to the operator arm.

For operators equipped with safety strips or automatic reversal systems, it may be required to adjust the settings to ensure that the garage door will reverse if it were to make contact with the screen door without damaging either door. **Final adjustment of the operator must comply with operator manufacturer's recommendations. Failure to do so may result in serious injury or death.**

**WARNING: IMPROPER ADJUSTMENT OF THE FORCE SENSITIVITY SYSTEM COULD CAUSE ENTRAPMENT, INJURY OR DEATH. SET ADJUSTMENTS FOR ENOUGH FORCE TO OPERATE DOOR RELIABLY, BUT NO STRONGER. CONTACT A SERVICE PROFESSIONAL TO CORRECT ANY BINDING, STICKING OR OTHER GARAGE DOOR PROBLEMS. DO NOT OVER-ADJUST SENSITIVITY SYSTEM TO COMPENSATE FOR A POORLY WORKING GARAGE DOOR.**

### **MAINTENANCE AND CARE FOR YOUR LIFESTYLE SCREEN**

Your Lifestyle garage screen is a sturdy, durable and easy to use product. However, for optimum performance over the long run it is recommended that periodic maintenance as described below be performed.

- Use dry silicone spray to lube various points: rollers, top and bottom track of the center retractable passage door and the center bolt of the black pulley on the tight radius track curve. Avoid spraying any type of lube on the cable and pulleys.
- Before raising your Lifestyle garage screen from the vertical closed position to the horizontal open position it is recommended that you open the center retractable passage door into the screen canister.
- Always store your Lifestyle garage screen with the center retractable passage door in the rolled-up open position.
- To keep the screen mesh material clean use only a mild detergent with a sponge and hose down with water.

### **OPTIONAL FEATURES AVAILABLE FOR YOUR LIFESTYLE GARAGE SCREEN**

Your Lifestyle garage screen comes with the following optional features:

- Locks for the center retractable passage door
- Pet blocker for use with the center retractable passage door to impede pets from passing under the loose bottom end of the mesh

## **LIMITED LIFETIME WARRANTY**

Advanced Screenworks, LLC (“ASW” or “we”) warrants to the original consumer purchaser (“you” or “your”) that each new Lifestyle Screens product (the “Product”) will be free from defects in material and workmanship for the entire period of time that you own the Product from the date of purchase. The start of the warranty period is the documented date of your purchase of the Product. The warranty herein is made solely to and for your benefit and is non-transferable. The warranty period on a repaired or replaced Product is the remainder of the warranty on the original purchased Product or 30 days, whichever is longer.

The warranty is solely limited to parts. ASW does not warranty the workmanship of the professional installer.

If you discover a defect in material during the warranty period and ASW agrees that the defect exists, ASW will, at its sole option provide you, at no cost to you, with replacement parts for the defective parts. ASW may require proper proof of purchase documentation prior to issuing you a replacement part or Product. We recommend that you visit the Lifestyle Screen website warranty registration page, <http://www.LifestyleScreens.com/warranty-registration.html> to register your Product or fill in the information required on the accompanying registration form and mail to Advanced Screenworks, LLC, Warranty Registration, 955 Patrick Industrial Ct., Winder GA 30680 or e-mail to [warranty@advancedscreenworks.com](mailto:warranty@advancedscreenworks.com).

To request warranty part replacement, please contact us at (678) 926-9700 or e-mail [fax@advancedscreenworks.com](mailto:fax@advancedscreenworks.com)

This warranty does not cover any of the following items or conditions:

- Abuse, unreasonable use, improper use, mistreatment or neglect;
- Modification of the original product to achieve functionality other than the intended use;
- Installation performed improperly or by an unauthorized party;
- Ordinary wear and tear including, without limitation, discoloration due to the elements and/or UV radiation;
- Damage or wear to the screen mesh or screen material;
- Damage caused by or to the equipment with which the Product is used;
- Damage caused by improper or faulty building construction or maintenance;
- Any damage caused during installation, maintenance, repair, replacement or removal;
- Damage caused by modification or repair not made or authorized by ASW; and
- Services provided by third-parties other than ASW including, without limitation, service calls, shipping and labor costs.

THIS WARRANTY, TOGETHER WITH THE REMEDIES SET FORTH ABOVE, IS EXCLUSIVE, NON-TRANSFERABLE AND IN LIEU OF ALL OTHERS, WHETHER ORAL OR WRITTEN, EXPRESSED OR IMPLIED. ASW SPECIFICALLY DISCLAIMS ANY AND ALL IMPLIED WARRANTIES AS TO THE PRODUCT. IN PARTICULAR, BUT WITHOUT LIMITATION, ASW SPECIFICALLY DISCLAIMS ANY AND ALL IMPLIED WARRANTIES AND CONDITIONS OF SATISFACTORY QUALITY, MERCHANTABILITY, FITNESS FOR ANY PARTICULAR PURPOSE OR ANY OTHER WARRANTY ARISING FROM A COURSE OF DEALING OR USAGE OF TRADE.

No ASW distributor, reseller, dealer, agent or employee is authorized to make any modification, extension, or addition to this warranty.

ASW is not responsible for special, incidental, indirect, exemplary, punitive, or consequential damages however caused and whether or not ASW was advised of the possibility of such damages, including but not limited to lost wages, lost profits, downtime, pain and suffering or damage to or replacement of equipment and property and any costs of recovery.

This warranty gives you specific legal rights. You may also have other rights which vary from state to state. Some jurisdictions do not allow the exclusion or limitation of incidental or consequential damages or exclusions of implied warranties, so the above limitations or exclusions may not apply to you.

**LIFESTYLE SCREENS  
WARRANTY REGISTRATION**

Lifestyle Screens by Advanced Screenworks, LLC recommends that you register your Lifestyle Screens product. You can do this online or by mail.

Online Registration: <http://www.LifestyleScreens.com/Warranty-Registration.html>

MAIL TO: Advanced Screenworks, LLC or e-mail to: [Warranty@AdvancedScreenworks.com](mailto:Warranty@AdvancedScreenworks.com)  
Warranty Registration  
955 Patrick Industrial Ct.  
Winder, GA 30680

YOUR NAME: \_\_\_\_\_

YOUR ADDRESS: \_\_\_\_\_

YOUR CITY, STATE, ZIP: \_\_\_\_\_

Your Telephone: \_\_\_\_\_

Your E-mail Address: \_\_\_\_\_

Date Purchased: \_\_\_\_\_

Installing Dealer: \_\_\_\_\_

Dealer Telephone: \_\_\_\_\_

Screen Size: (circle one): Golf Cart  
8'x7'    9'x7'    10'x7'    16'x7'    18'x7'  
8'x8'    9'x8'    10'x8'    16'x8'    18'x8'  
Other

Frame Color: (circle one): White    Brownstone    Sandstone    Other

Screen Type: (circle one): Standard    White Privacy    Black Superscreen    Other

Other Comments: \_\_\_\_\_  
\_\_\_\_\_  
\_\_\_\_\_