

Installation recommendations
Washer-extractor



PW 6080 XL EL AV/LP

en - GB

United Kingdom

Miele Co. Ltd., Fairacres, Marcham Road
Abingdon, Oxon, OX14 1TW
Professional Sales, Tel: 0845 365 6608
E-mail: professional@miele.co.uk
Internet: www.miele.co.uk/professional

Australia

Miele Australia Pty. Ltd.
ACN 005 635 398, ABN 96 005 635 398
1 Gilbert Park Drive, Knoxfield, VIC 3180
Tel: 1300 731 411
Internet: www.miele.com.au/professional
E-mail: info@miele-professional.com.au

China Mainland

Miele Electrical Appliances Co., Ltd.
1-3 Floor, No. 82 Shi Men Yi Road
Jing' an District, 200040 Shanghai, PRC
Tel: +86 21 6157 3500, Fax: +86 21 6157 3511
E-mail: info@miele.cn, Internet: www.miele.cn

Hong Kong, China

Miele (Hong Kong) Ltd.
41/F - 4101, Manhattan Place
23 Wang Tai Road, Kowloon Bay, Hong Kong
Tel: (852) 2610 1025, Fax: (852) 3579 1404
Email: customerservices@miele.com.hk
Website: www.miele.hk

India

Miele India Pvt. Ltd.
Ground Floor, Copia Corporate Suites
Plot No. 9, Jasola, New Delhi - 110025
Tel: 011-46 900 000, Fax: 011-46 900 001
E-mail: customercare@miele.in, Internet: www.miele.in

Ireland

Miele Ireland Ltd.
2024 Bianconi Ave., Citywest Business Campus, Dublin 24
Tel: (01) 461 07 10, Fax: (01) 461 07 97
E-Mail: info@miele.ie, Internet: www.miele.ie

Manufacturer: Miele & Cie. KG, Carl-Miele-Straße 29, 33332 Gütersloh, Germany

Malaysia

Miele Sdn Bhd
Suite 12-2, Level 12
Menara Sapura Kencana Petroleum
Solaris Dutamas No. 1, Jalan Dutamas 1
50480 Kuala Lumpur, Malaysia
Phone: +603-6209-0288
Fax: +603-6205-3768

New Zealand

Miele New Zealand Limited
IRD 98 463 631
8 College Hill
Freemans Bay, Auckland 1011, NZ
Tel: 0800 464 353
Internet: www.miele.com.au/professional
E-mail: info@miele-professional.com.au

Singapore

Miele Pte. Ltd.
29 Media Circle, #11-04 ALICE@Mediapolis
Singapore 138565
Tel: +65 6735 1191, Fax: +65 6735 1161
E-Mail: info@miele.com.sg
Internet: www.miele.sg

South Africa

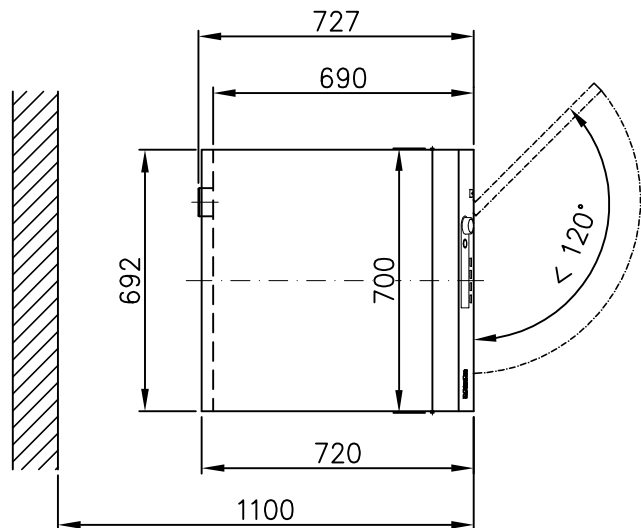
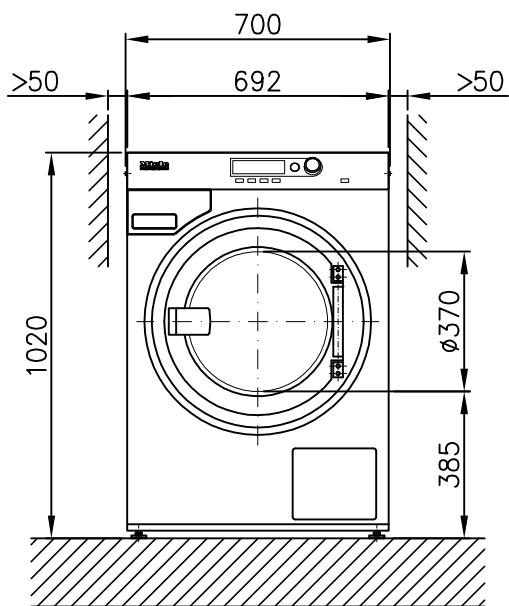
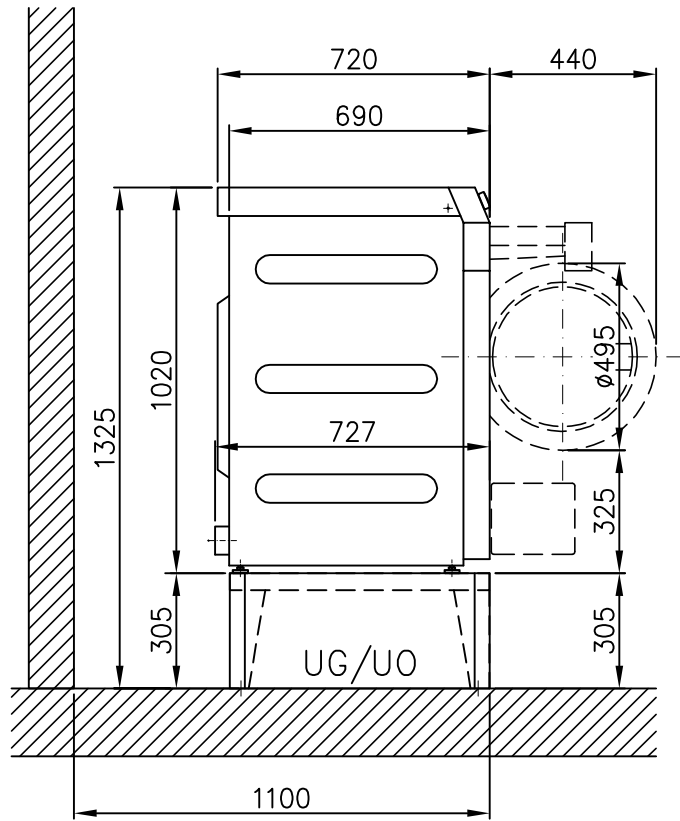
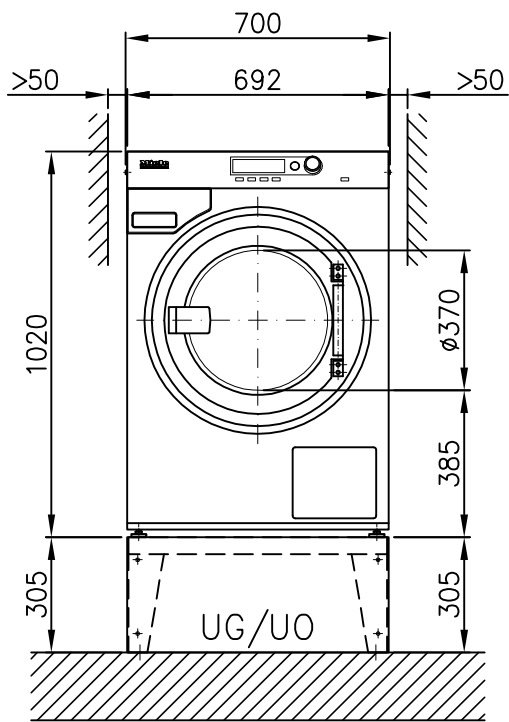
Miele (Pty) Ltd
63 Peter Place, Bryanston 2194
P.O. Box 69434, Bryanston 2021
Tel: (011) 875 9000, Fax: (011) 875 9035
E-mail: info@miele.co.za
Internet: www.miele.co.za

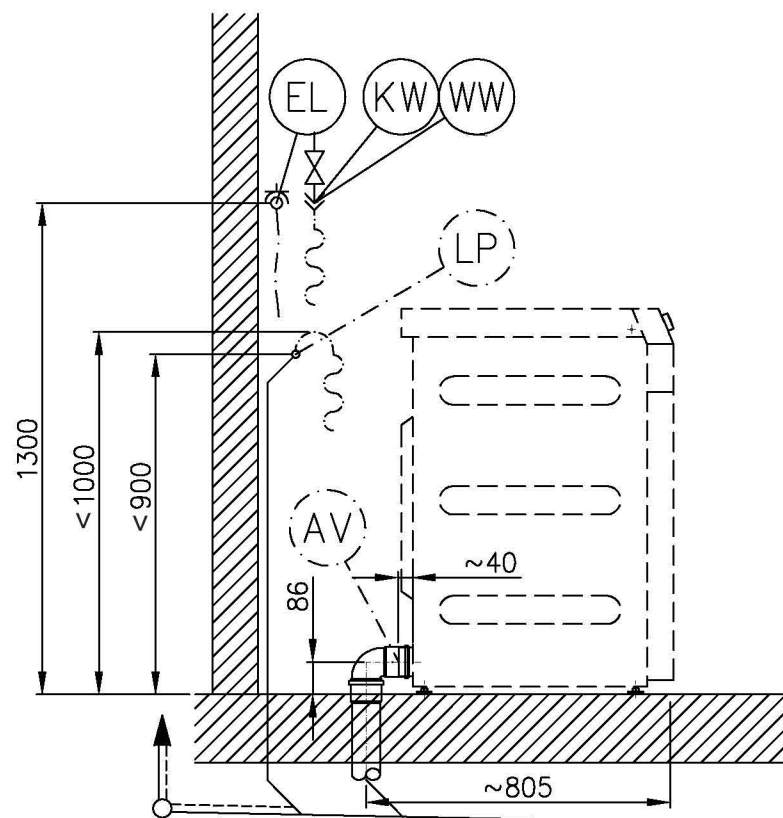
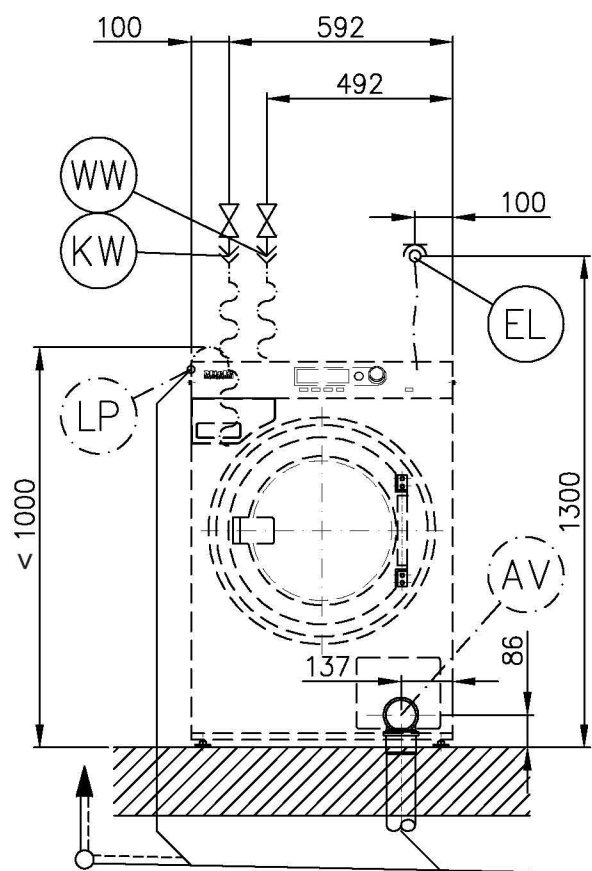
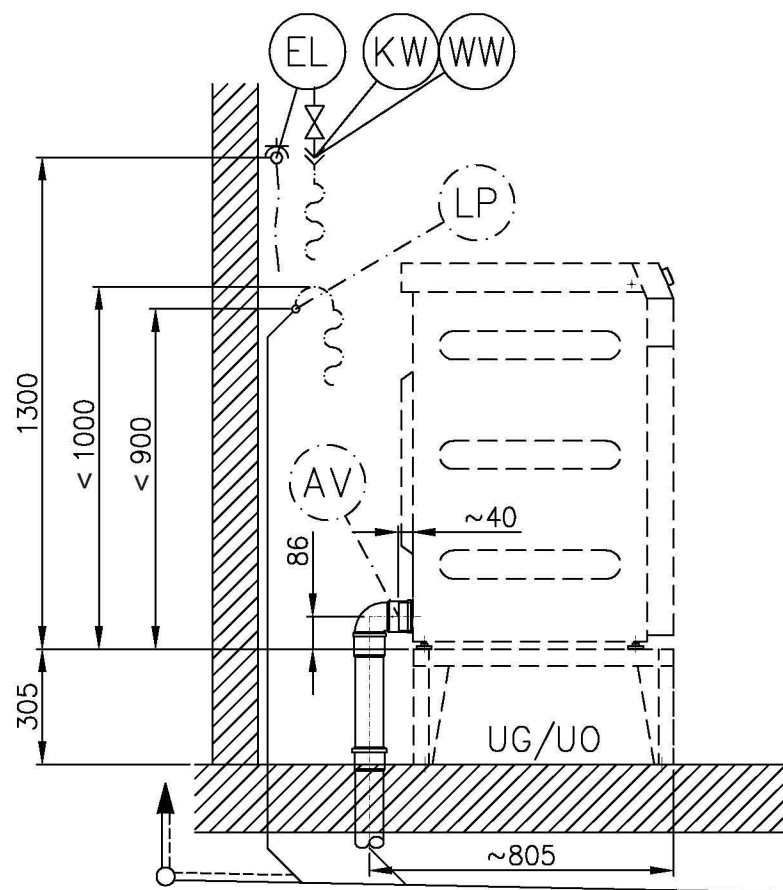
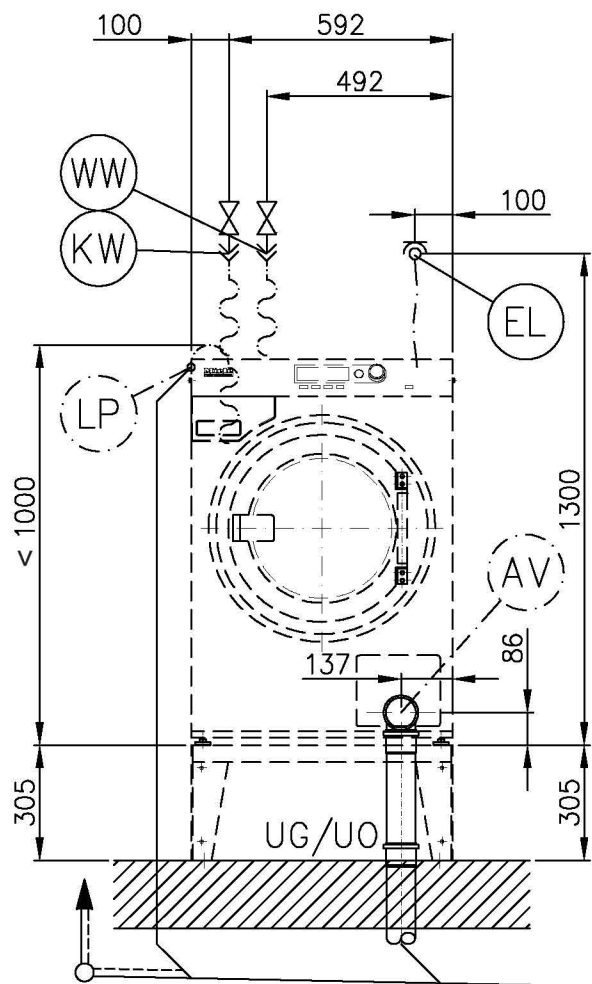
United Arab Emirates

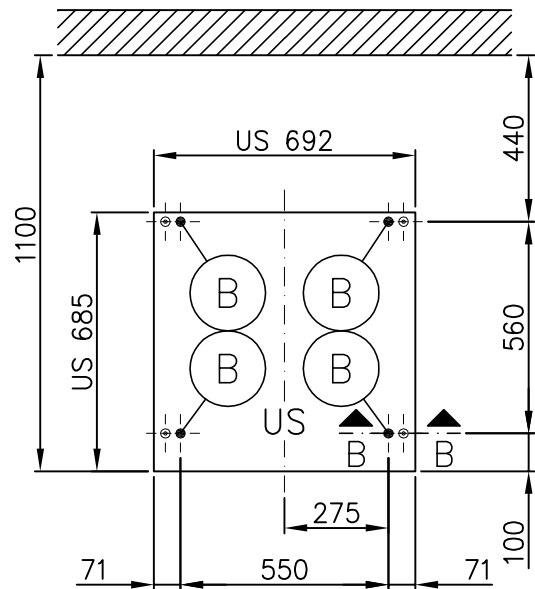
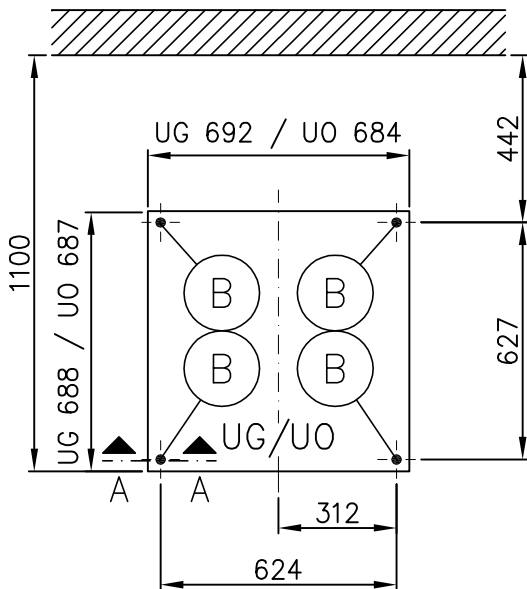
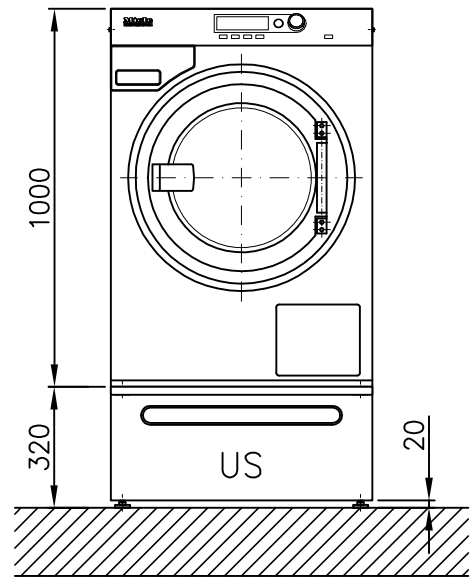
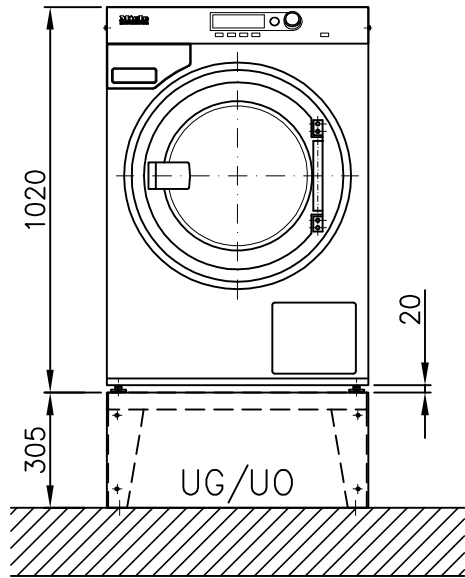
Miele Appliances Ltd.
Showroom 1, Eiffel 1 Building
Sheikh Zayed Road, Umm Al Sheif
P.O. Box 114782 - Dubai
Tel. +971 4 3044 999, Fax. +971 4 3418 852
800-MIELE (64353)
E-Mail: info@miele.ae, Website: www.miele.ae

It is **essential** to read the operating and installation instructions
before installing, commissioning or using the machine.
This avoids the risk of accidents or damage.

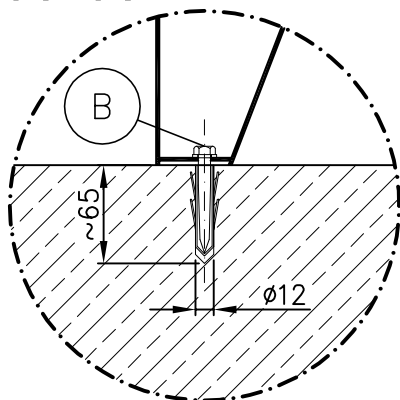
All rights reserved



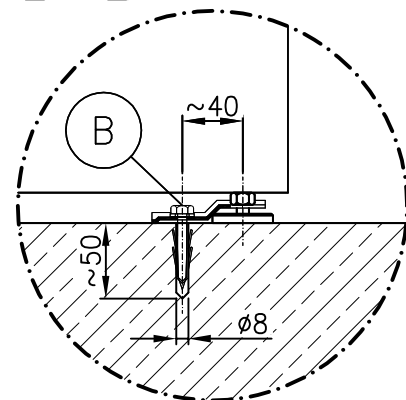


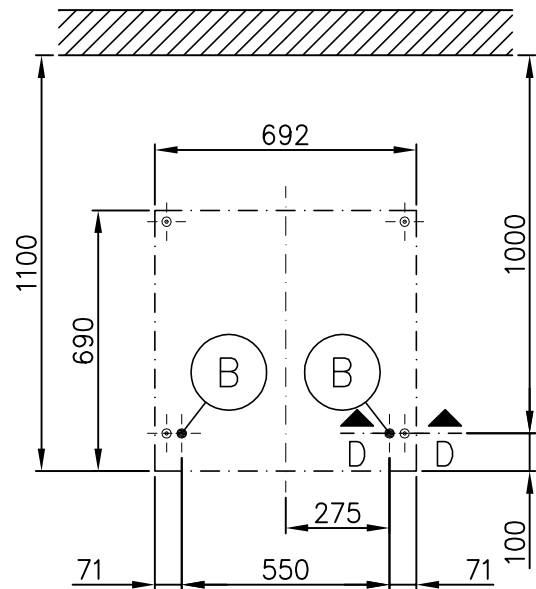
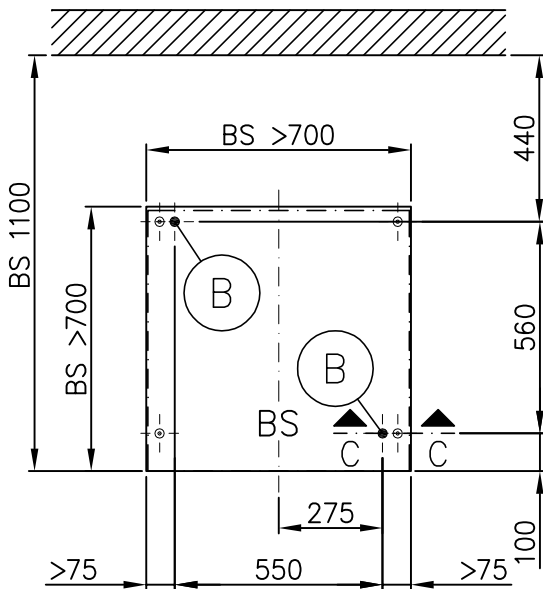
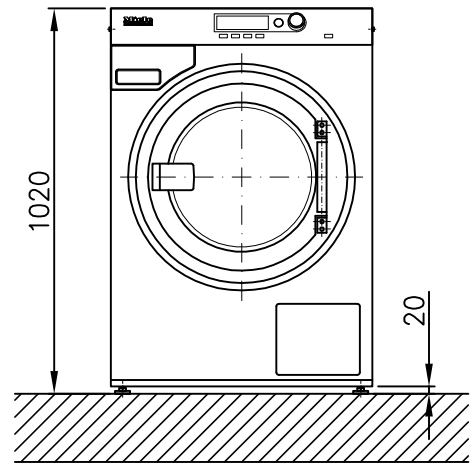
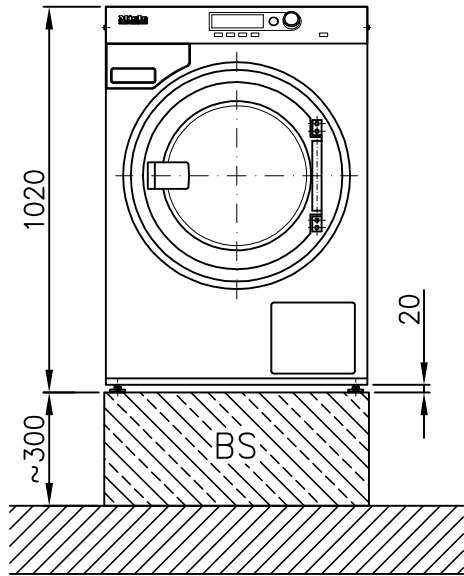


A - A

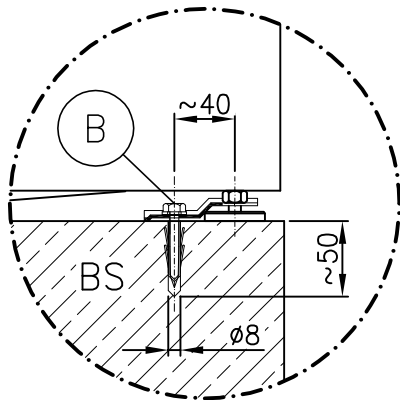


B - B

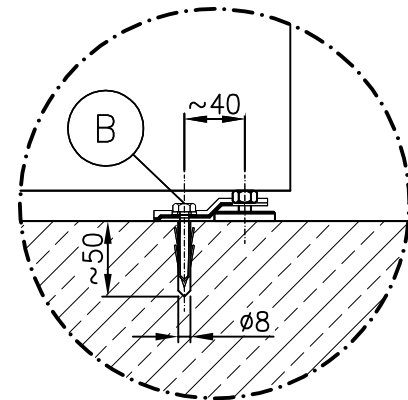




C - C



D - D



Technical Datasheet

Miele
PROFESSIONAL

Washer-extractor:
Heating:

PW 6080 AV/LP
Electric (EL)

Legend:



Circled, bold-type abbreviations:
Connection required



Abbreviations surrounded by broken circle:
Connection optional or required, depending on model





Optional extras:

UM	Miele plinth	UO 6008 (UO = Open plinth)	mm	305
		Height	mm	680
		Width	mm	679
		UG 6008 (UG = Closed plinth)	mm	305
		Height	mm	692
		Width	mm	685
		US 6008 (US = Plinth with drawer)	mm	320
		Height	mm	692
		Width	mm	685
BS	Concrete plinth	Concrete plinth (min. quality C12/15)	mm	300
		Recommended height	mm	70
		Minimum height	mm	≥700
		Recommended width	mm	≥700
		Recommended depth	mm	≥700
It must be ensured that the on-site concrete plinth is anchored to the floor!				

Machine connections:

EL	Electrical connection	1. Standard voltage (as supplied) Frequency Rated load Fuse rating Connection cable cross-sectional area Connection cable length Connection cable without plug (supplied as standard)	V Hz kW A mm ² mm	3N AC 400 50 8.2 3 × 16 5 × 1.5 2000
	Country variations:			
	GB	1. Standard voltage (as supplied) Frequency Rated load Fuse rating Connection cable cross-sectional area Connection cable length Connection cable without plug (supplied as standard)	V Hz kW A mm ² mm	1N AC 220 - 240 50 5.05 – 6.0 1 × 25 3 × 2.5 2000
N B	1. Standard voltage (as supplied) Frequency Rated load Fuse rating Connection cable cross-sectional area Connection cable length Connection cable without plug (supplied as standard)	V Hz kW A mm ² mm	3 AC 230 50 8.2 3 × 20 4 × 2.5 2000	

Non-standard voltages:				
	OS 440	1. Standard voltage (as supplied) Frequency Rated load Fuse rating Connection cable cross-sectional area Connection cable length Connection cable without plug (supplied as standard)	V Hz kW A mm ² mm	3 AC 440 60 7.9 3 × 16 4 × 1.5 2000
		Electrical connection must be in accordance with local and national regulations. Plug and socket connection in accordance with IEC/EN 60309 and IEC/EN 60947 recommended to facilitate electrical safety tests. If the machine is connected via a fixed connection, a multi-pole switch must be provided on site to ensure complete isolation. Switches with a contact opening of more than 3 mm should be used. Such switches are, e.g., LS switches, fuses and contactors (IEC/EN 60947). A wall socket or mains isolator must be visible and accessible after installation. A new connection, modification of an existing installation or earth checking, including the determination of suitable fuse rating, may only be carried out by a suitably qualified electrician in accordance with all local and national regulations.		
	Cold water (soft water)	Min. flow pressure Max. pressure Max. throughput On-site connection thread according to DIN 44 991 Length of connection hose (parts supplied: 1 connection hose) Water requirements (average for 60°C programme) With standard connection (with hot water) If hot water supply is not available, a sufficient supply of cold water must be ensured. If connected to an alternative water supply (optional), subtract cold water volume.	kPa kPa l/min Inch mm l/h	100 1000 11 3/4" external thread 1550 Approx. 70
	Hot water (soft water)	Max. temperature Min. flow pressure Max. pressure Max. throughput On-site connection thread according to DIN 44 991 Length of connection hose (parts supplied: 1 connection hose) Water requirements (average for 60°C programme) It is possible to connect the machine to a very hot water supply with temperature from 70°C to max. 85°C. For this a special connection hose is required. This special hose is available from the Miele Spares Dept. In addition, the Miele Service Dept. or an authorised dealer must reprogram the machine accordingly. If a hot water supply is not available, connect the hot water hose to a cold water supply!	°C kPa kPa l/min Inch mm l/h	70 100 1000 11 3/4" external thread 1550 Approx. 70

AV	Waste water Model with dump valve	Max. temperature Machine waste water connection (external diameter) On-site drain (internal diameter) Max. transient throughput Vented drainage required. If ventilation is insufficient, fit Miele kit, Mat. no. 05238090. Drain manifolds serving several machines must be of sufficient cross-section.	°C mm mm l/min	95 75 [DN 70] 75 [sleeve DN 70] 62
LP	Drainage via drain pump	Max. temperature Drain hose (inner diameter) On-site hose sleeve for drain hose (inner diameter x length) Max. transient throughput Max. head height (measured from base of unit) Vented drainage required. If ventilation is insufficient, fit Miele kit, Mat. no. 05238090. . Drain manifolds serving several machines must be of sufficient cross-section.	°C mm mm l/min mm	95 22 [DN 22] 22 x 30 26 1000
B	Fittings (supplied)	<p>Miele plinth UG/UO 6008 4 x fasteners (to secure machine to plinth) 4 x screws DIN 571 (Ø x length) 4 x rawl plugs (Ø x length) Machine must be bolted to the floor! Fixing materials for floating screed floor to be provided on site</p> <p>Miele plinth US 6008 4 x fasteners (to secure machine to plinth) 4 x screws DIN 571 (Ø x length) 4 x rawl plugs (Ø x length) Machine must be bolted to the floor! Fixing materials for floating screed floor to be provided on site</p> <p>On concrete plinth 2 x metal brackets 2 x screws DIN 571 (Ø x length) 2 x rawl plugs (Ø x length) Machine must be bolted to the floor! Fixing materials for floating screed floor to be provided on site</p>	mm mm mm mm	8 x 65 12 x 60 6 x 50 8 x 40 6 x 50 8 x 40
	Machine data	<p>Machine width Machine depth Machine height Casing width Casing depth Min. access width to installation site Minimum rear wall gap (measured to front of machine) Minimum wall gap (to front edge of machine) With an installation with the minimum gap, additional work may be required when service or repair work is necessary. Net weight Dynamic floor load, max. Static floor load, max. Dynamic load, max. Drum frequency, max. Sound pressure level (re 20 mPa), (measured at a distance of 1 m from the machine and at a height of 1.6 m)</p>	mm mm mm mm mm mm mm mm mm kg N N N Hz dB (A)	700 727 1020 692 690 720 1100 900 140 2330 1680 650 22 <70
Installation should only be carried out by authorised fitters in accordance with valid regulations! Observe installation instructions when installing machine! All rights reserved! Dimensions in mm				