

**HONDA**  
**INSTALLATION**  
**INSTRUCTIONS**

Accessory  
**TRAILER HITCH**

Application  
**2018 CR-V**

Publications No.  
**VERSION 1**  
 Issue Date  
**OCT 2017**

**PARTS LIST**

**Trailer Hitch Kit**  
**P/N 08L92-TLA-100**

Trailer hitch



Ball mount



4 Plates



Center plate



Receiver cover



Hitch pin



Hitch pin clip



12 x 50 mm Hex bolt



4 Hex bolts, 10 x 35 mm



6 Hex bolts, 8 x 30 mm



2 Plain washers, 12 mm



6 Plain washers, 8 mm



12 mm Hex nut



12 mm Spring washer



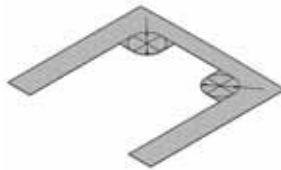
4 Spring washers, 10 mm



6 Spring washers, 8 mm



Template  
(May not be used)

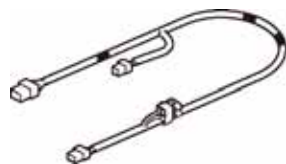


**Trailer Hitch Harness Kit  
P/N 08L91-TLA-100**

Control unit bracket



Trailer hitch harness



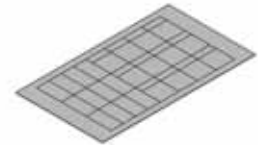
Socket harness



Control unit



Fuse label



Wire tie with clip A



3 Wire ties with clip B



2 Wire ties



3 Aluminium tapes



Urethane tape



2 Flange bolts, 6 x 40 mm



3 Flange nuts, 6 mm



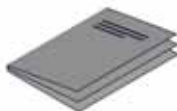
6 mm Plain washer



Clip



Accessory User's Information Manual



**Hands Free Access Kit  
(With standard hands free access)  
P/N 08U59-TLA-100A**

Hands free access unit



Bumper clip



Label



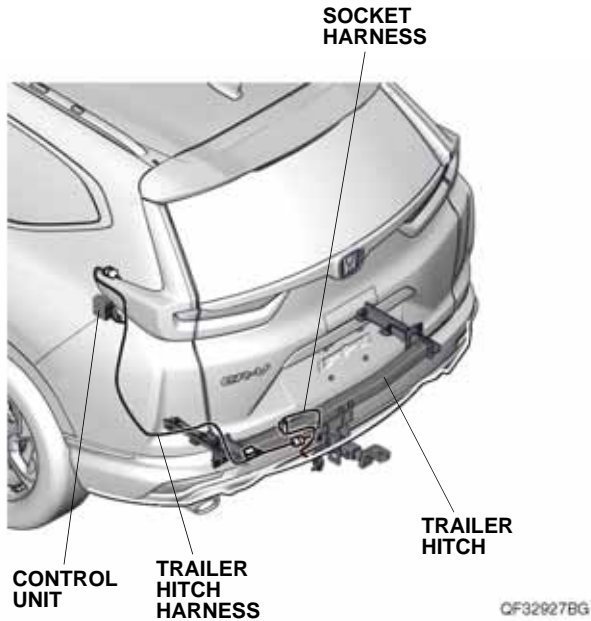
Accessory User's Information Manual



### TOOLS AND SUPPLIES REQUIRED

- Stubby Phillips screwdriver
  - Phillips screwdriver
  - Small flat-tip screwdriver
  - 10 mm Open end wrench
  - 10 mm, 12 mm, 14 mm, 17 mm, and 19 mm Sockets
  - Pushpin
  - Ratchet
  - 3 mm Drill bit
  - Eye protection (face shield, safety goggles, etc.)
  - File
  - Ruler
  - Blanket
  - Isopropyl alcohol
  - Shop towel
  - 14 mm and 20 mm Hole saws
  - Drill
  - Masking tape
  - 5 mm Hex wrench
  - Felt-tip pen
  - Touch-up paint
  - Torque wrench
  - Diagonal cutters
  - 18 mm Step drill
- The following tools are available through the Honda Tool and Equipment Program. On the iN, click on Service > Service Bay > Tool and Equipment Program, then enter the number under "Search." Or, call 888-424-6857.*
- Trim Tool Set (T/N SOJATP2014)
  - Plastic Trim Tool (T/N SILTRIMTL10)
  - Air Saw (T/N AT192A)
  - Rotabroach Hole Cutting Kit (T/N BLR11201SO)

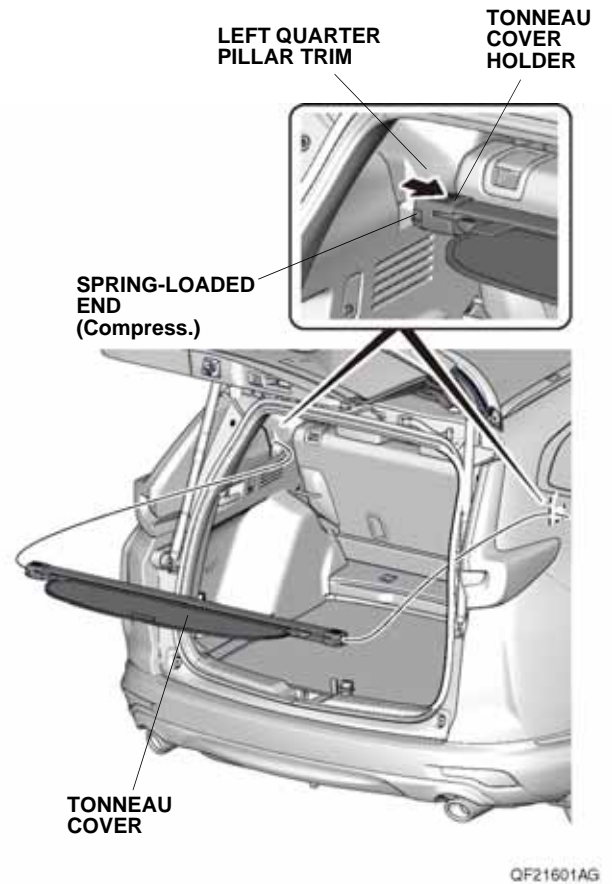
## Illustration of the Trailer Hitch on the Vehicle



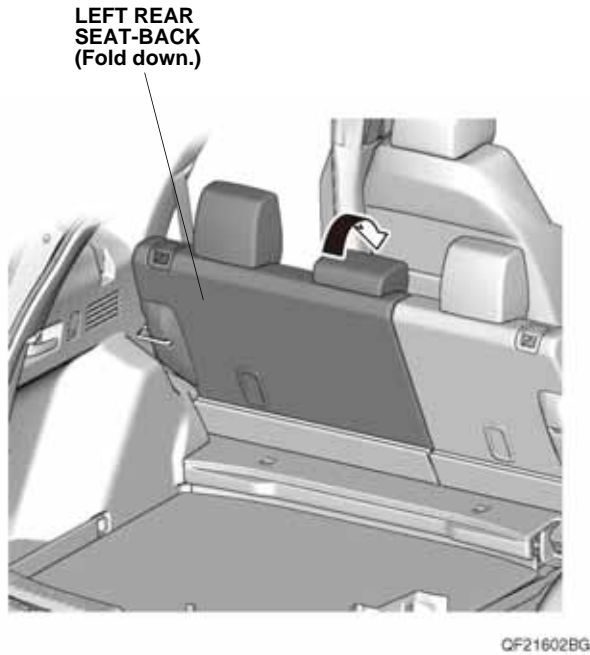
## INSTALLATION

**Customer Information:** The information in this installation instruction is intended for use only by skilled technicians who have the proper tools, equipment, and training to correctly and safely add equipment to your vehicle. These procedures should not be attempted by “do-it-yourselfers.”

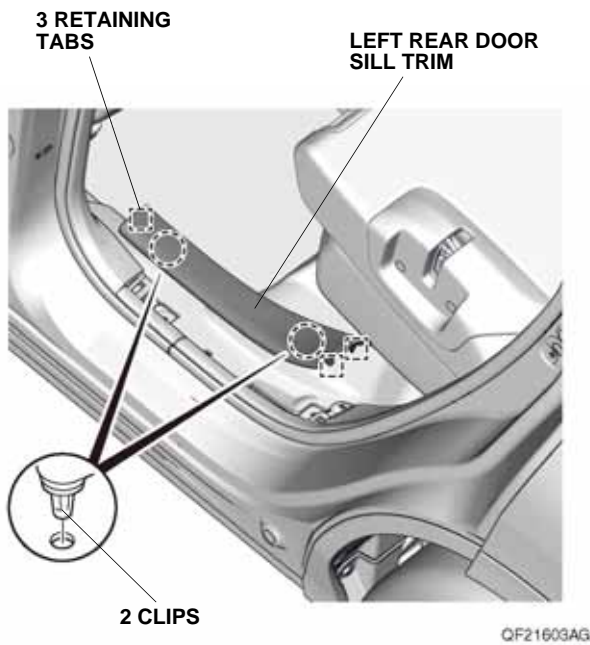
1. Disconnect the negative cable from the battery.
2. If equipped, remove the tonneau cover.



3. Fold down the left rear seat-back.



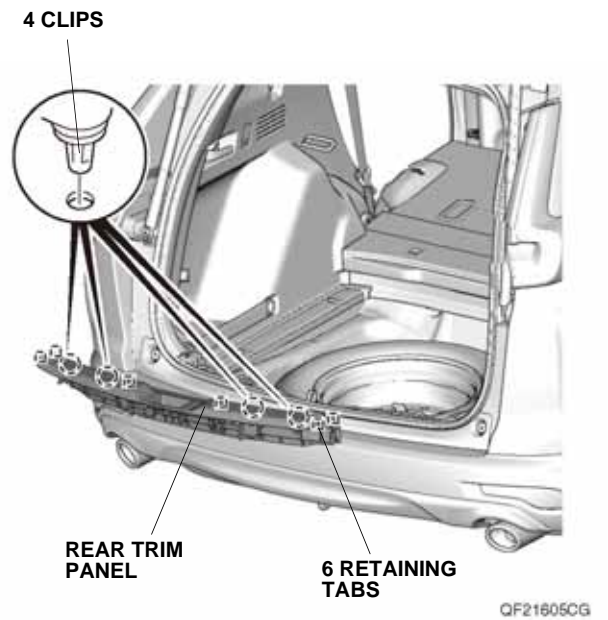
4. Remove the left rear door sill trim.



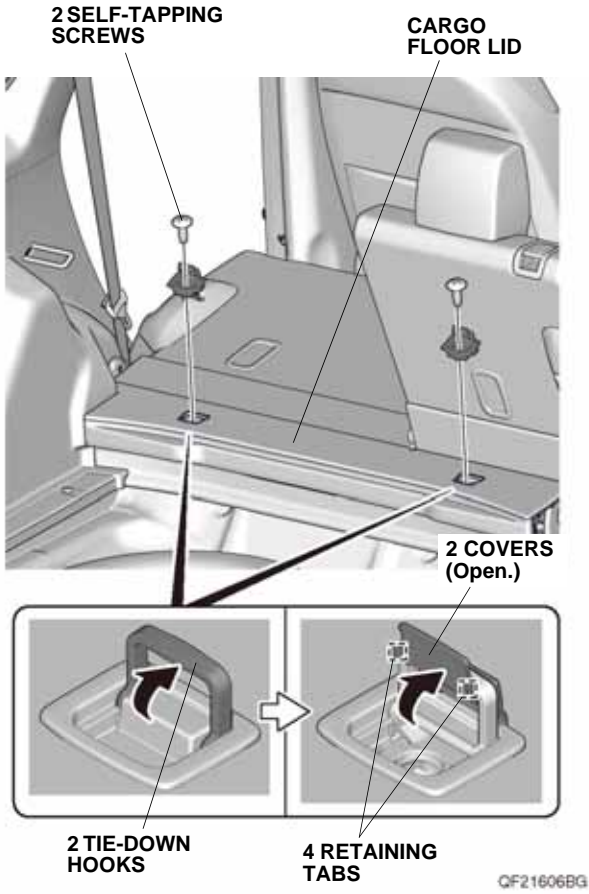
5. Remove the cargo floor board.



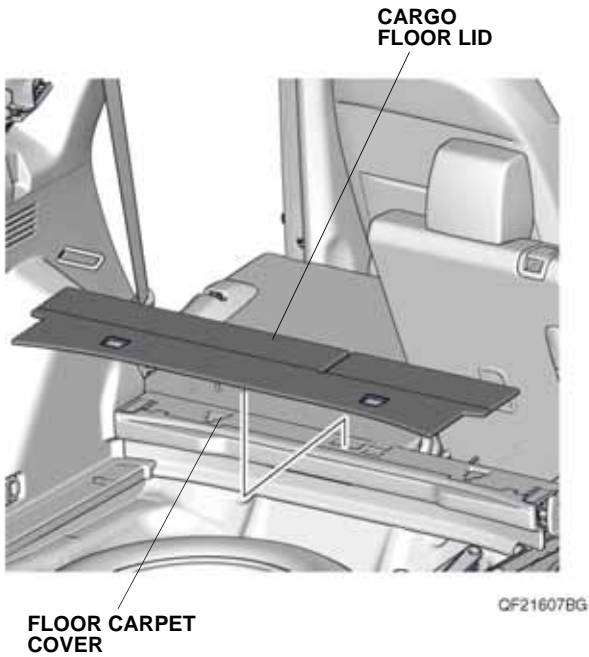
6. Remove the rear trim panel.



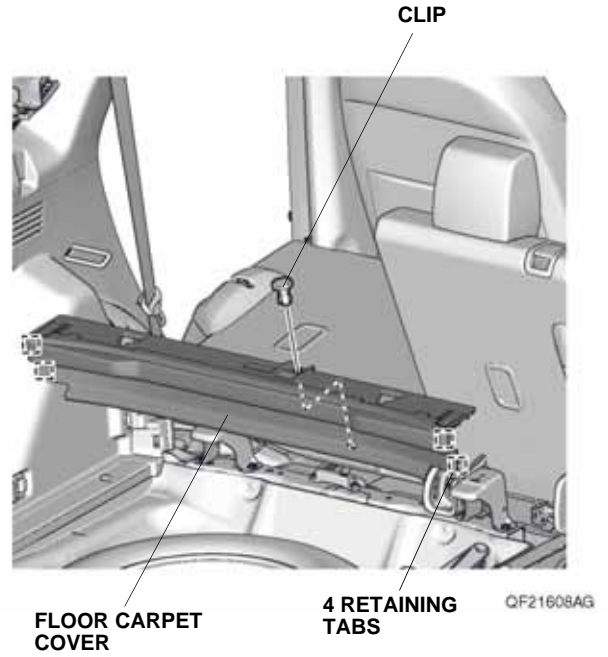
7. Remove the two tie-down hooks.



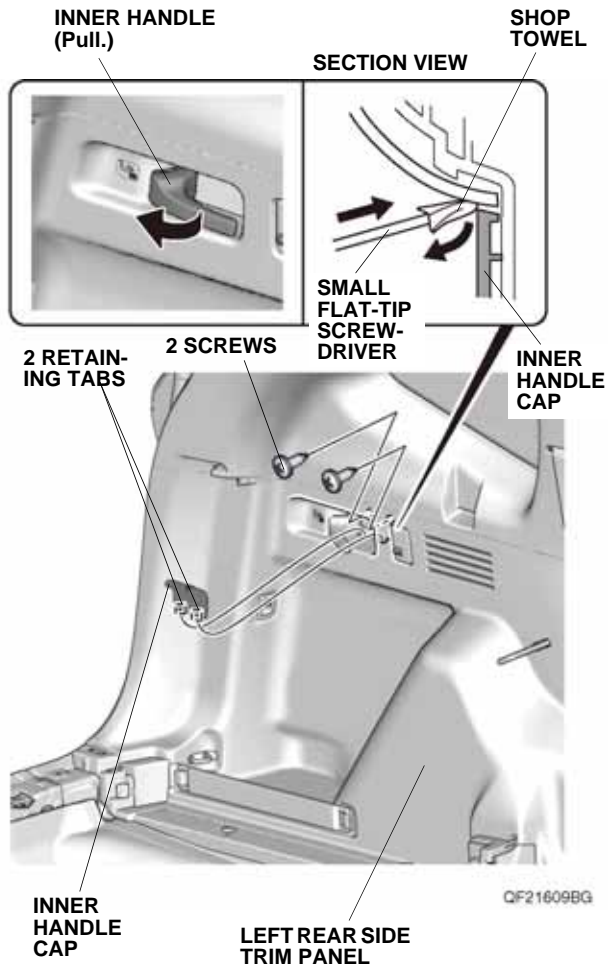
8. Remove the cargo floor lid from the floor carpet cover.



9. Remove the floor carpet cover.

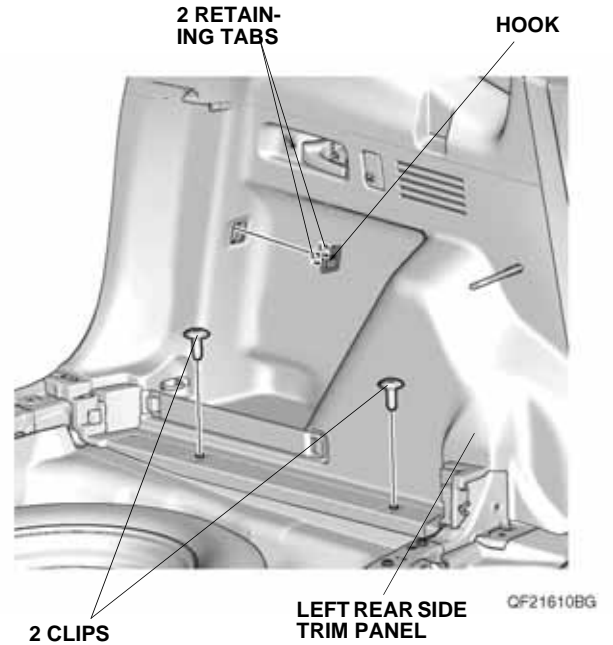


- Gently pull the inner handle on the left rear side trim panel, and use a small flat-tip screwdriver wrapped with a shop towel to remove the inner handle cap.

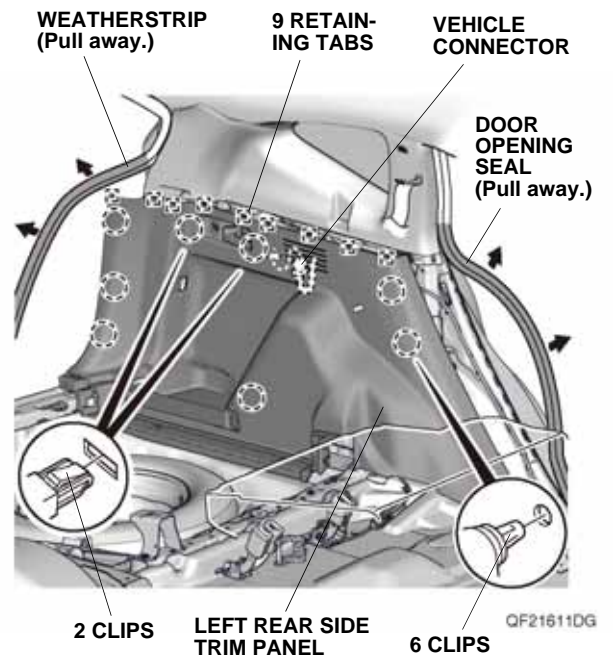


- Remove the two screws from the left rear side trim panel.

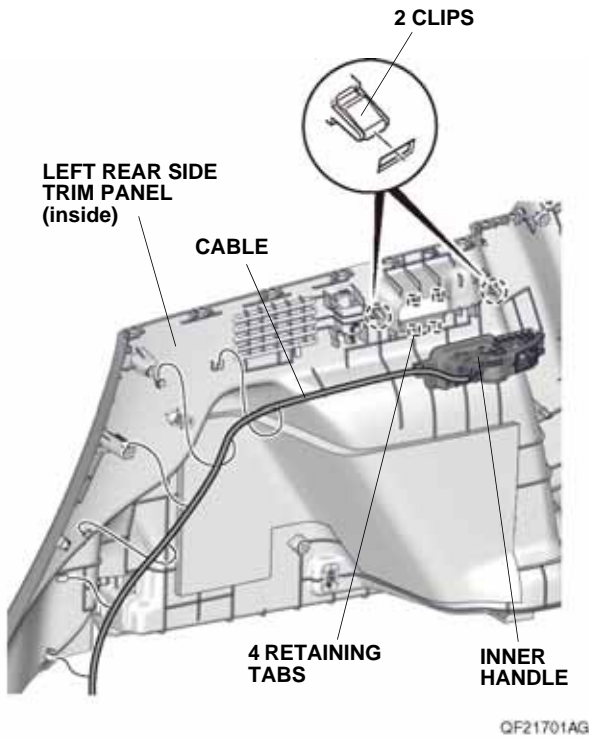
- Remove the hook and two clips.



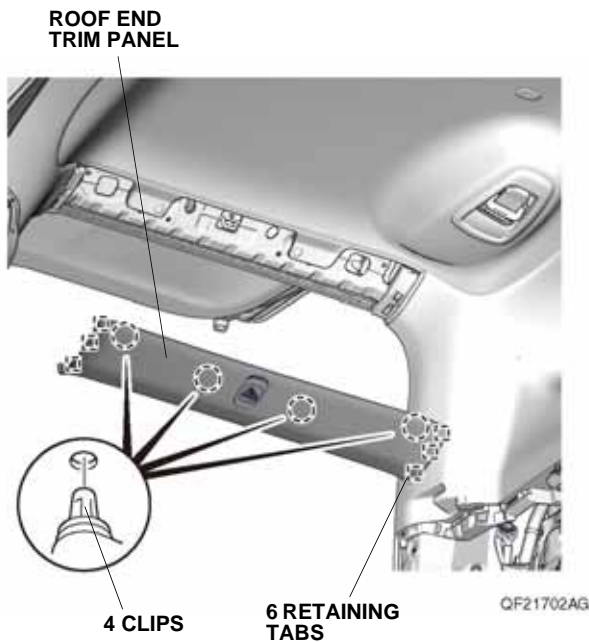
- Pull away the door opening seal and weatherstrip from around the left rear side trim panel. Remove the left rear side trim panel, and unplug the vehicle connector.



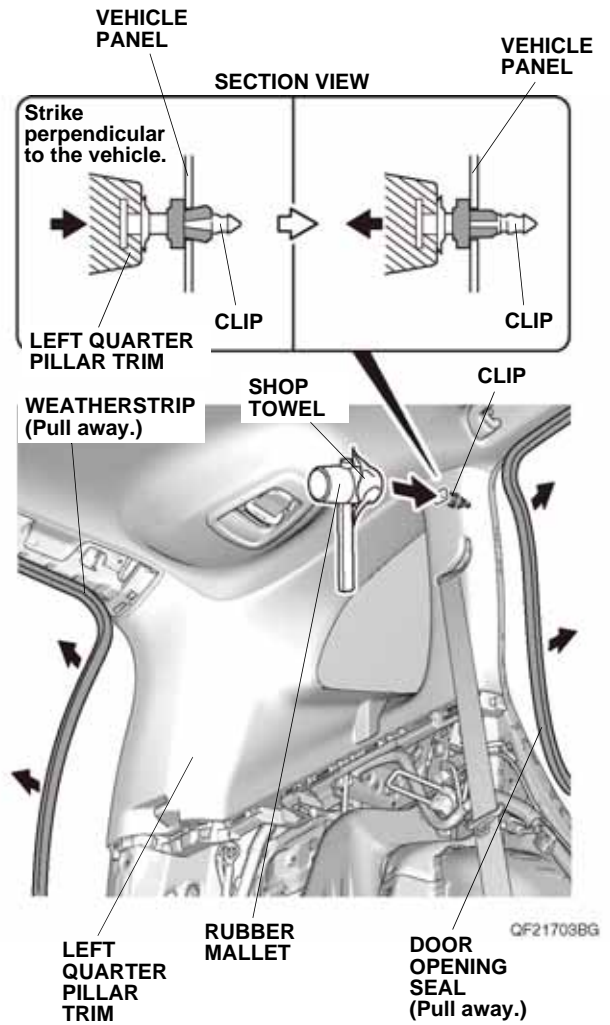
- Release the cable from the left rear side trim panel, then remove the inner handle.



- Remove the roof end trim panel.



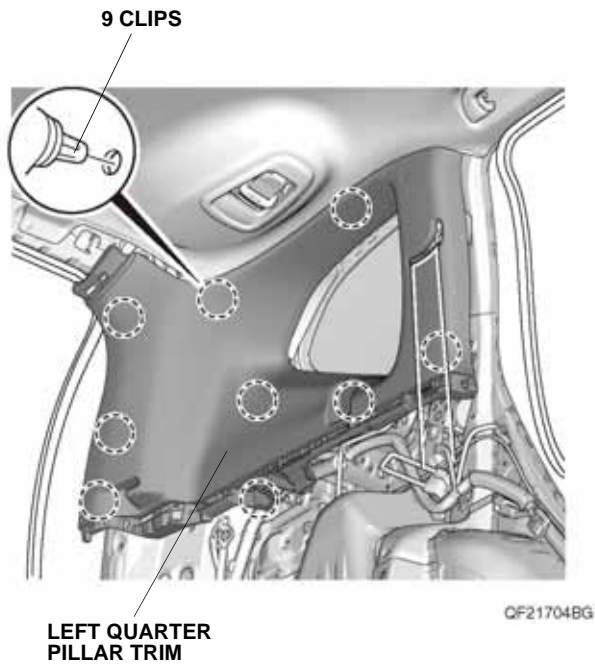
- Pull away the door opening seal and weatherstrip from around the left quarter pillar trim.



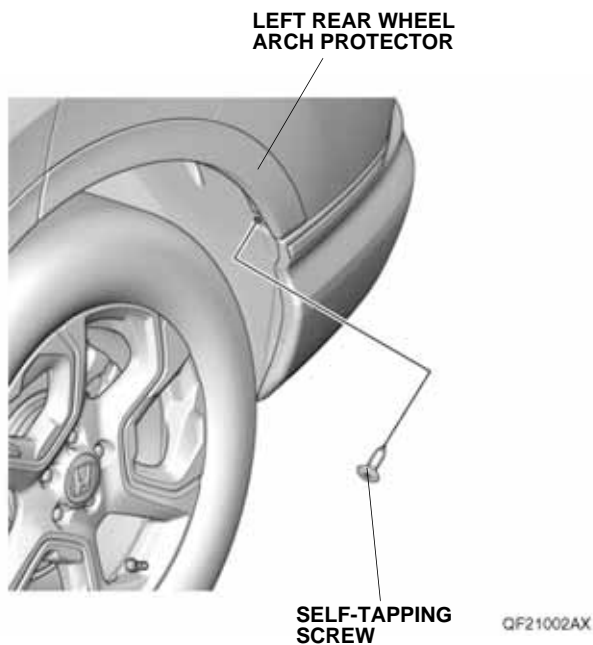
- Using a rubber mallet wrapped with a shop towel, lightly tap the area marked "**SIDE CURTAIN AIRBAG**" on the left quarter pillar trim to push in the clip. Make sure to strike the area perpendicular to the vehicle.



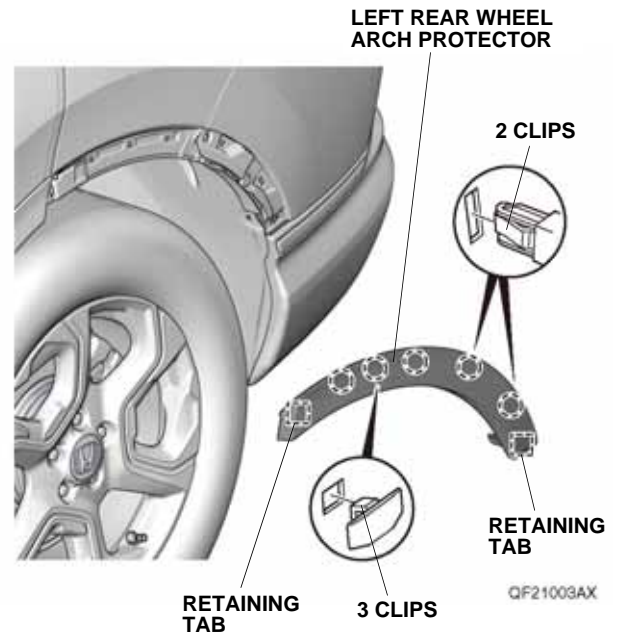
18. Remove the left quarter pillar trim.



19. Remove the self-tapping screw from the left rear wheel arch protector.



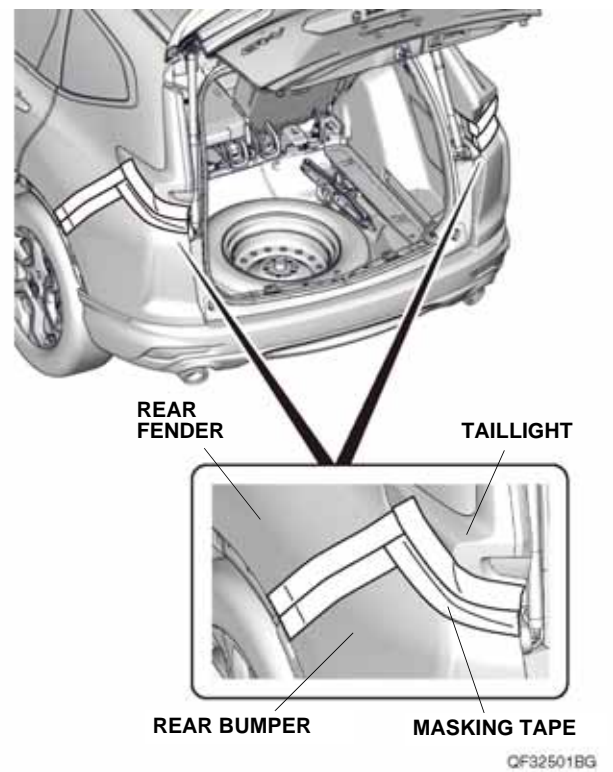
20. Remove the left rear wheel arch protector.



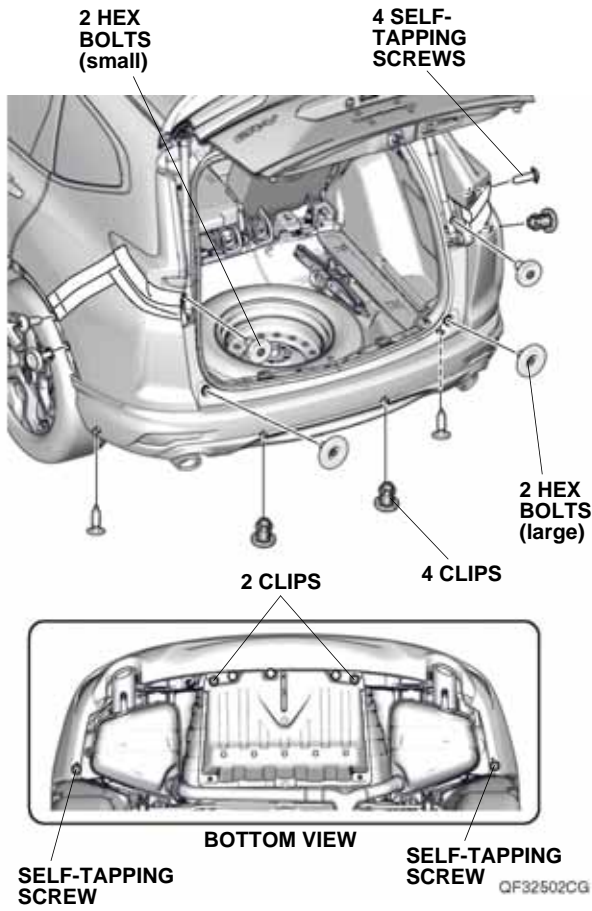
21. Repeat steps 19 and 20 on the right side of the vehicle.

22. Remove the rear bumper:

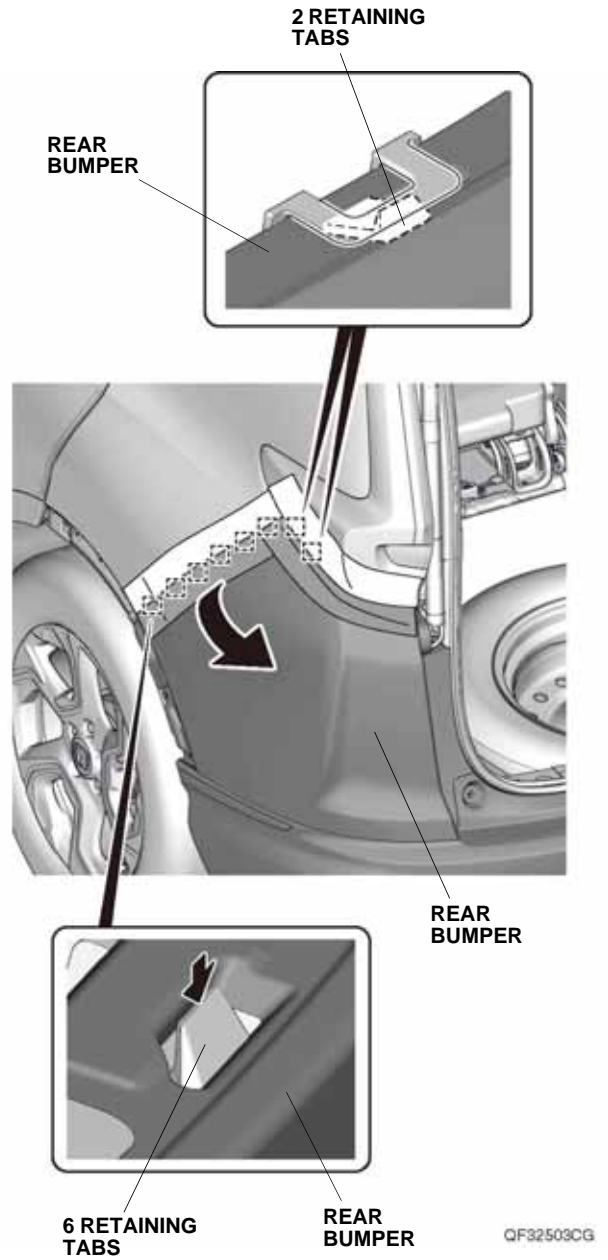
- Apply masking tape on each side as shown.



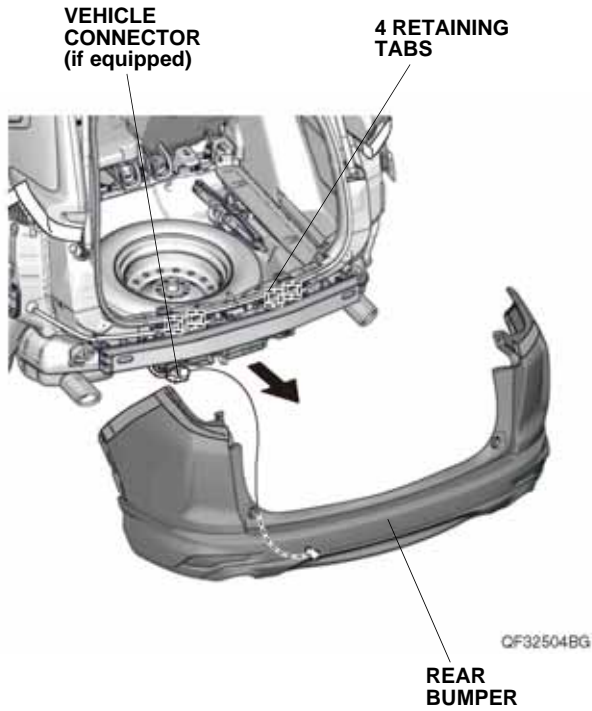
- Remove the four self-tapping screws, four clips, two hex bolts (large), and two hex bolts (small) as shown.



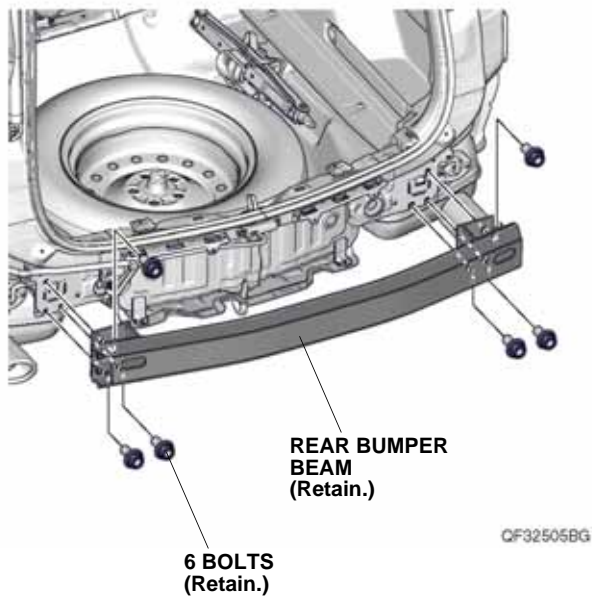
- With the help of an assistant, release the eight retaining tabs on each side.



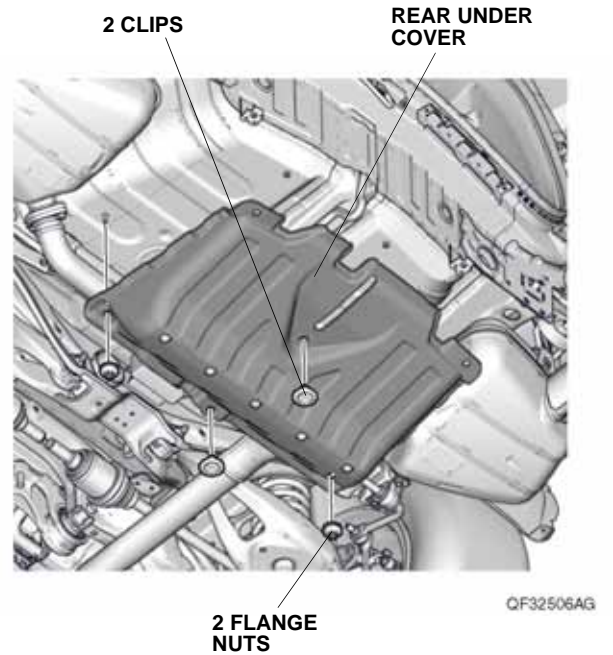
- With the help of an assistant, remove the rear bumper and unplug the vehicle connector (if equipped).
- Place the rear bumper on a blanket.



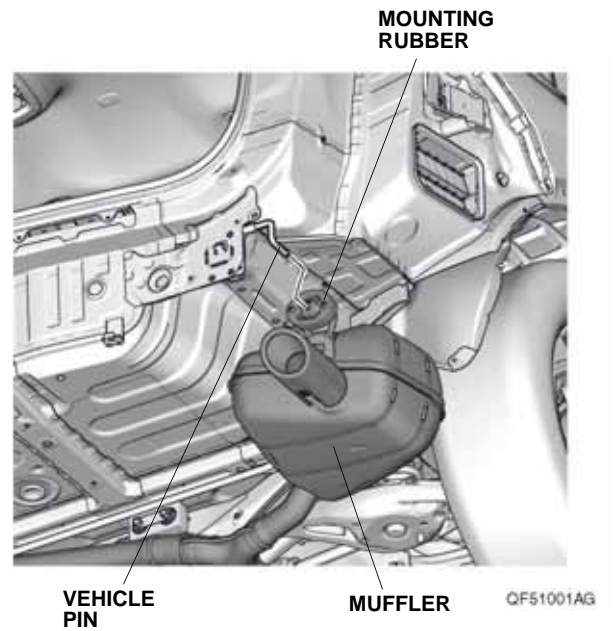
23. Remove the rear bumper beam.



24. Remove the rear under cover.



25. Remove the mounting rubber from the vehicle pin.  
NOTE: Be careful not to damage the muffler.



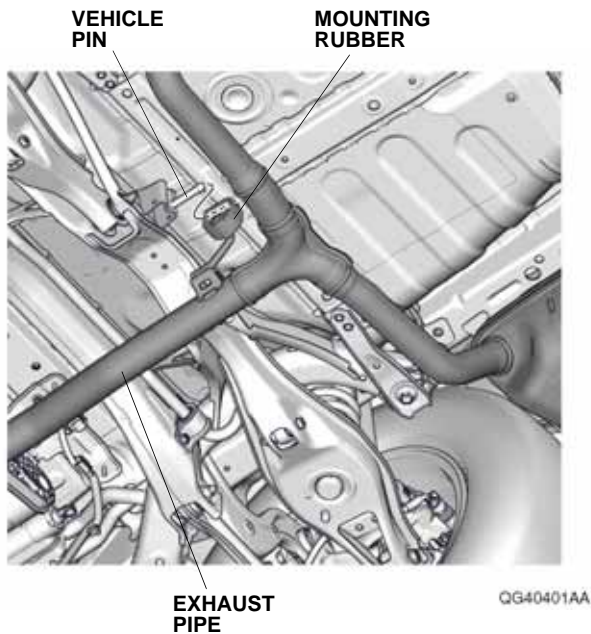
26. Remove the mounting rubber from the left side of the vehicle the same way, if equipped.

If the vehicle is 2WD models, continue with step 27; if the vehicle is 4WD models, go to step 28.

### 2WD models

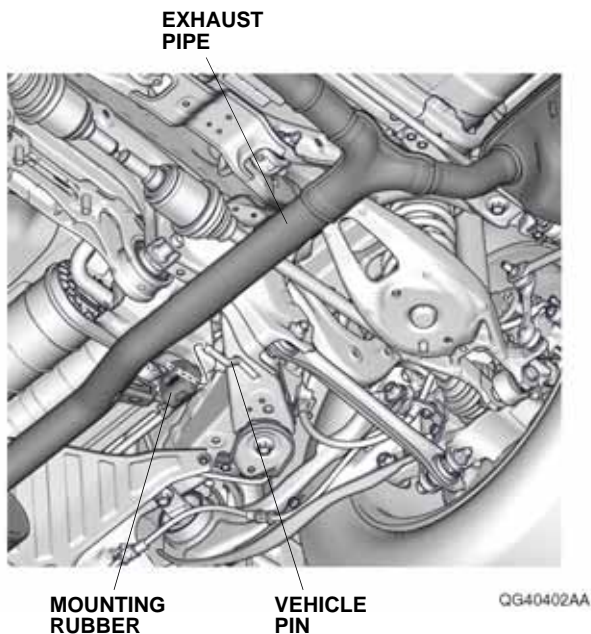
27. Remove the mounting rubber from the vehicle pin. Go to step 29.

NOTE: Be careful not to damage the exhaust pipe.

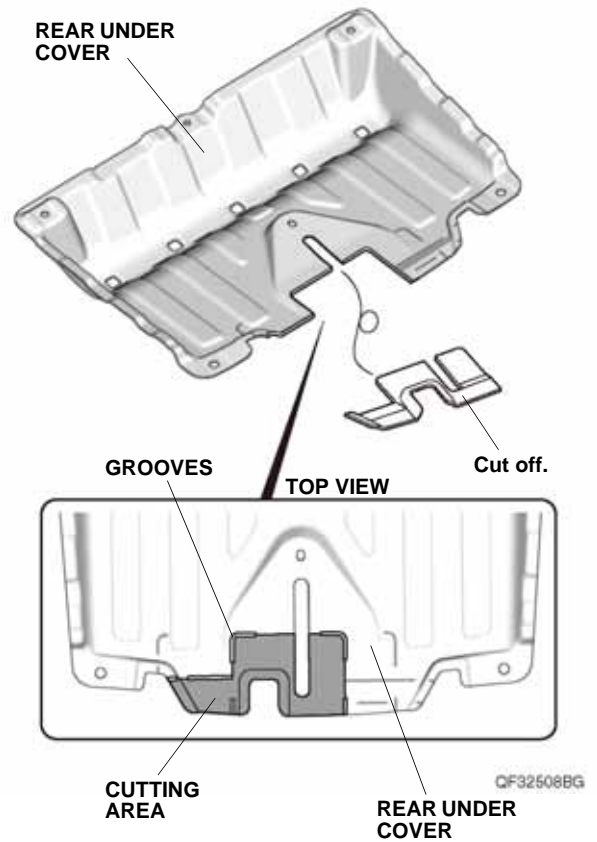


### 4WD models

28. Remove the mounting rubber from the vehicle pin. NOTE: Be careful not to damage the exhaust pipe.



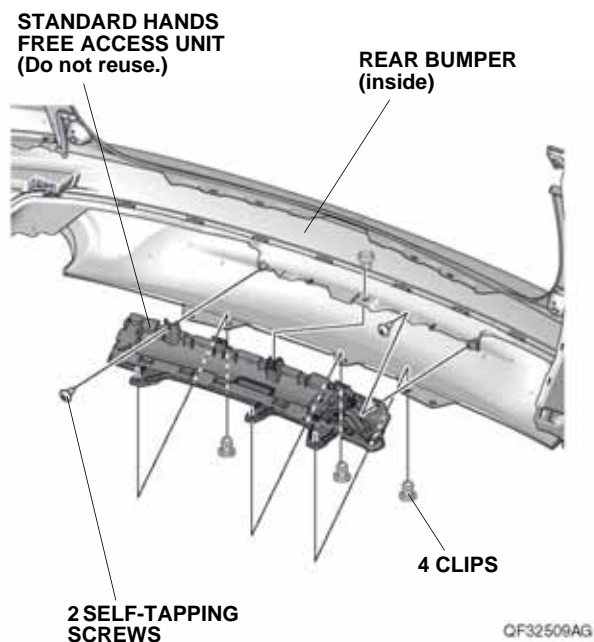
29. Using a utility knife, cut off the rear under cover as shown. Remove any burrs and sharp edges from the corners.



If the vehicle is equipped with the standard hands free access, continue with step 30; otherwise, go to step 31.

**With standard hands free access**

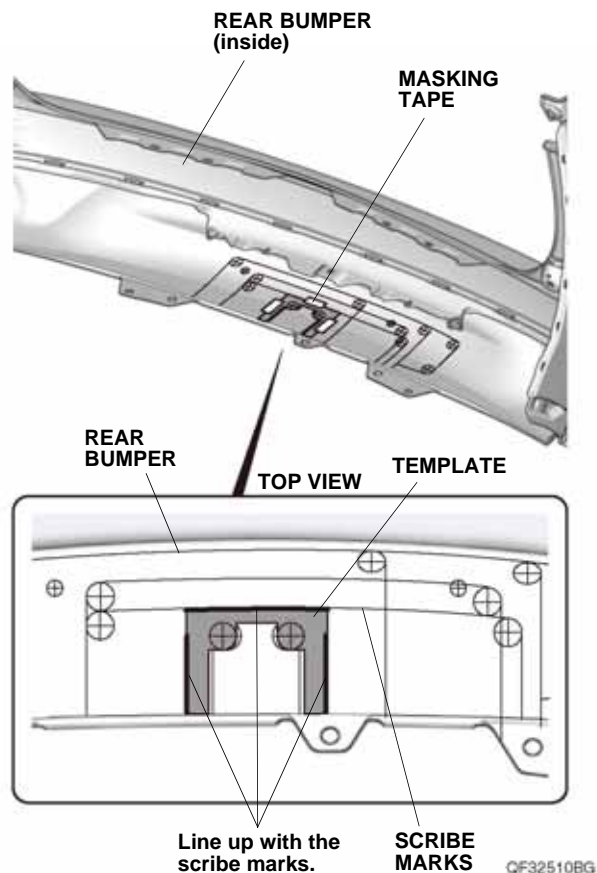
- 30. Remove the standard hands free access unit from the rear bumper.
- NOTE: Follow the same procedure for the accessory rear aero bumper.



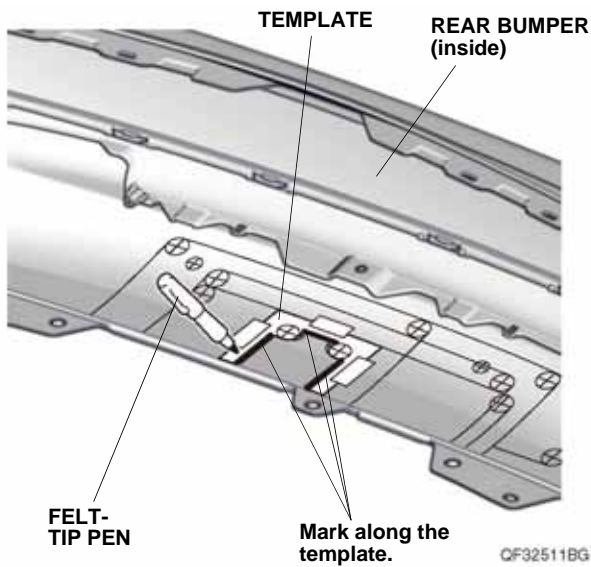
If the vehicle is equipped with the standard rear bumper, continue with step 31; if the vehicle is equipped with the accessory rear aero bumper, go to step 43.

**With standard rear bumper**

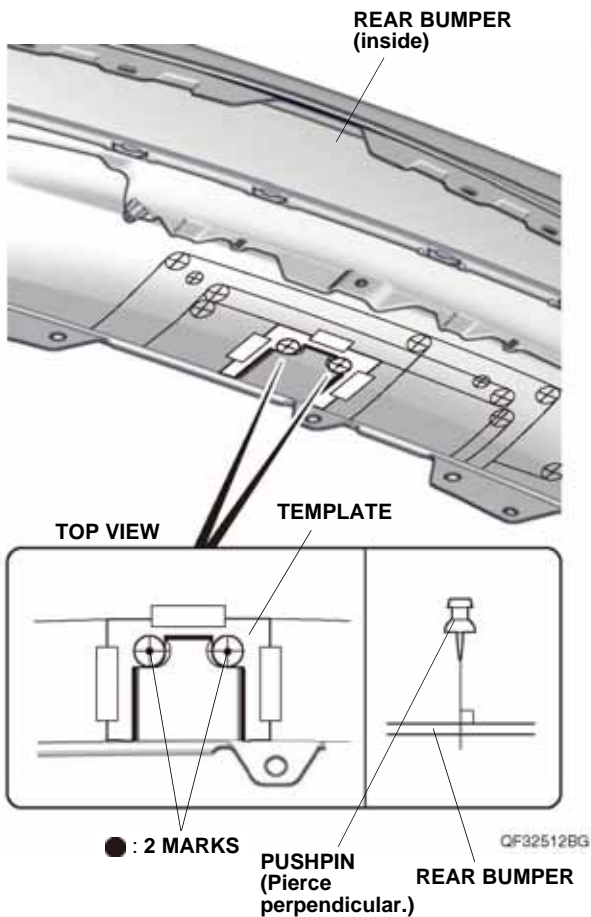
- 31. Line up the template with the scribe marks on the rear bumper, then tape it in place with masking tape.



32. Using a felt-tip pen, mark the rear bumper along the template.

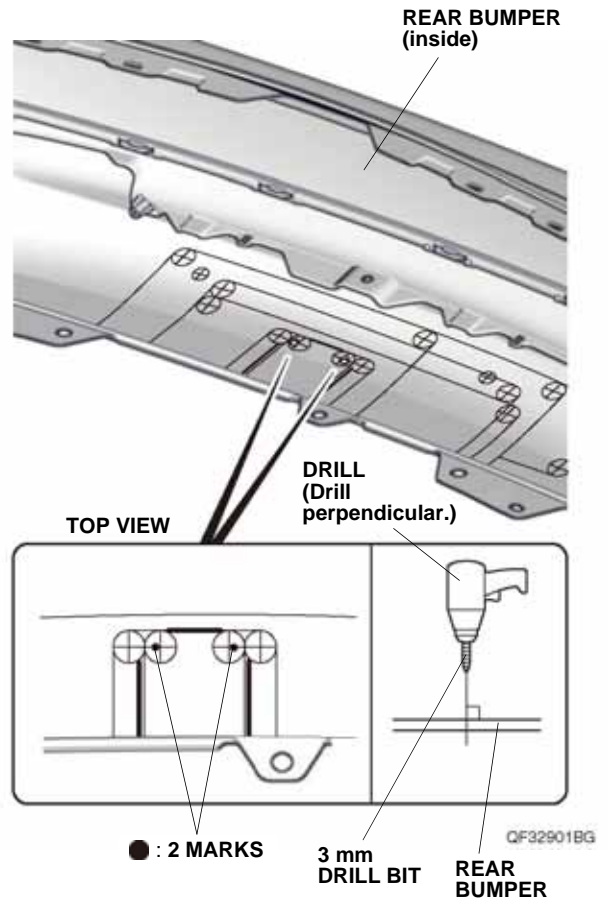


33. Using a pushpin, pierce two marks in the template on the rear bumper.  
NOTE: Make sure to pierce the marks perpendicular to the rear bumper.

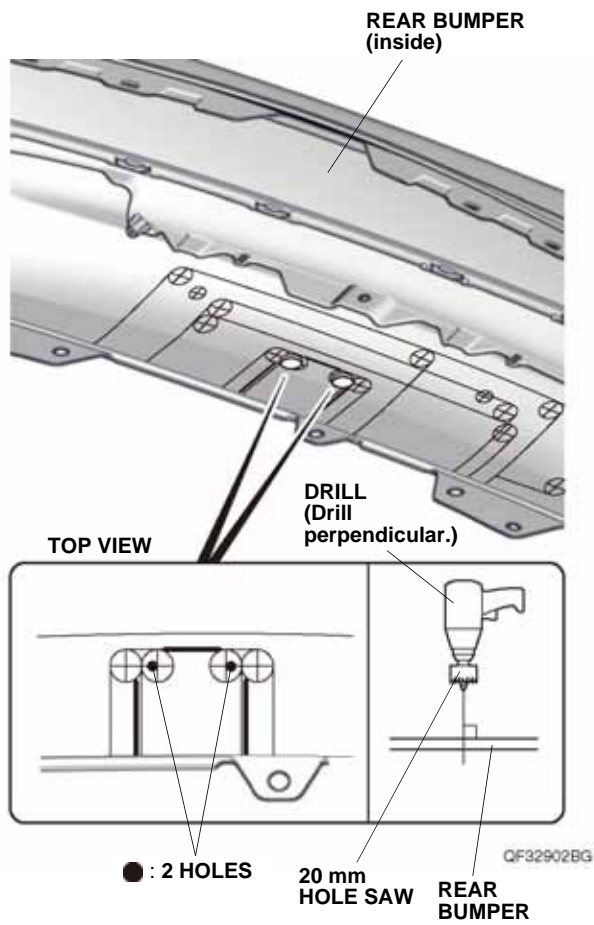


34. Remove the template from the rear bumper.

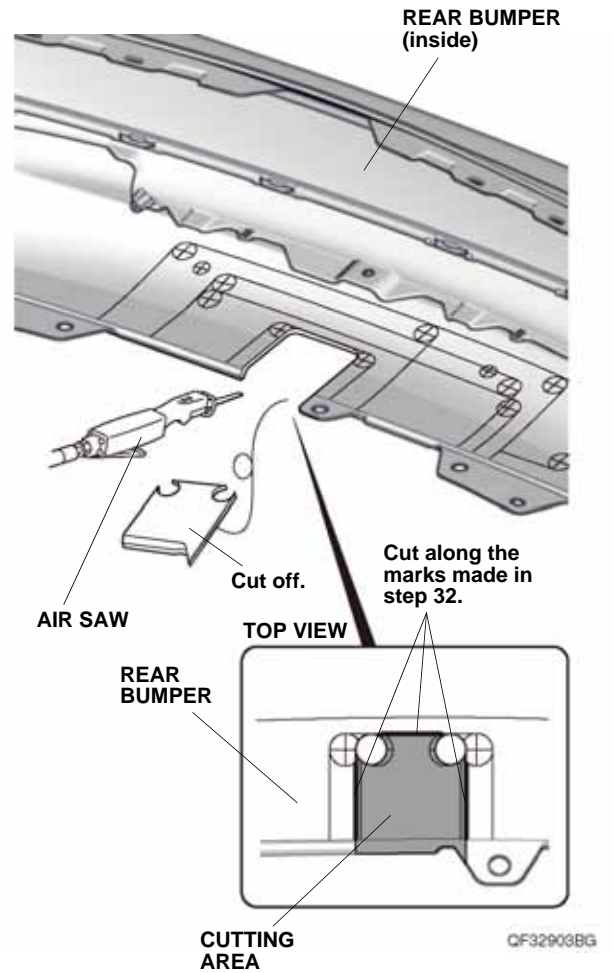
35. While wearing eye protection, drill the pierced two marks on the rear bumper with a 3 mm drill bit.  
NOTE: Make sure to drill perpendicular to the rear bumper. Make sure to drill the marks as shown.



36. While wearing eye protection, enlarge the 3 mm holes to 20 mm using a 20 mm hole saw. Remove any burrs.  
 NOTE: Make sure to drill perpendicular to the rear bumper. Make sure to drill the marks as shown.



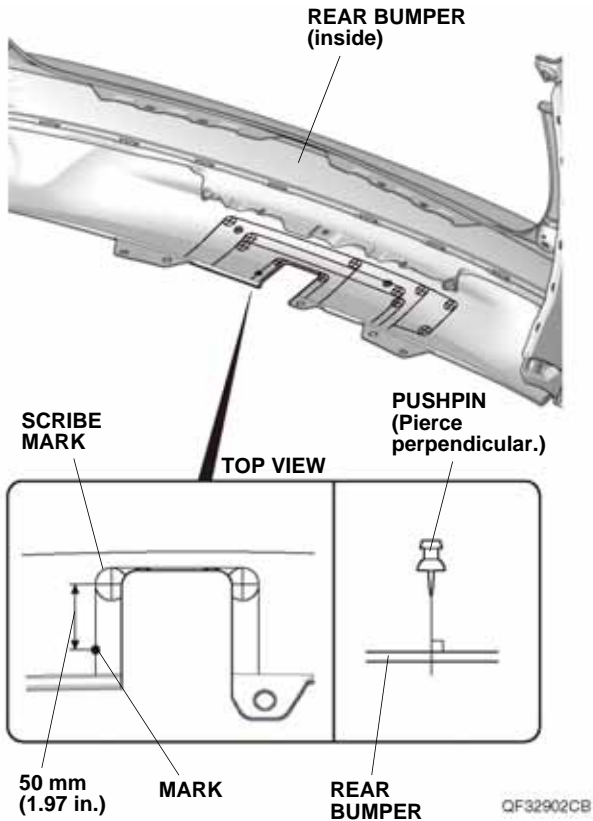
37. While wearing eye protection, use an air saw to cut off the rear bumper at the marks made in step 32 as shown. Remove any burrs and sharp edges from the corner.



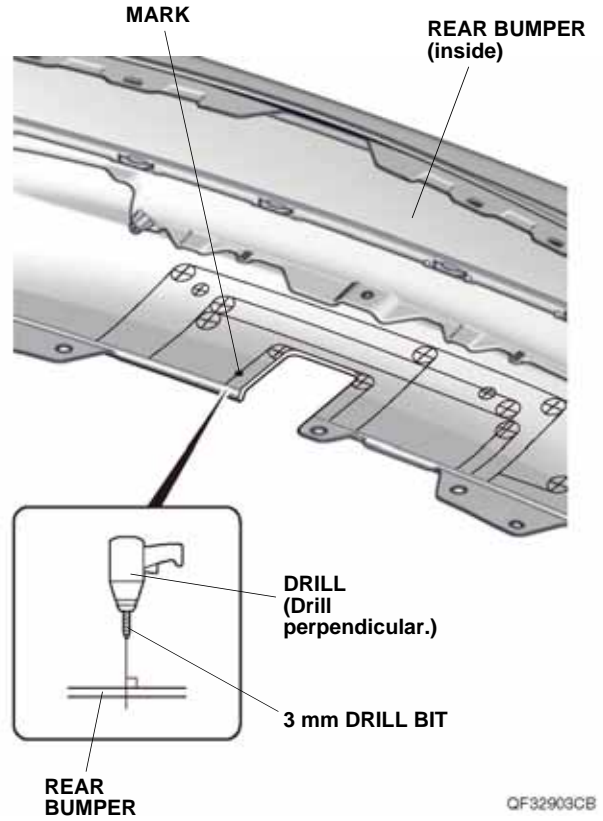
If the vehicle is equipped with the standard hands free access, continue with step 38; otherwise, go to step 51.

**With standard hands free access**

38. Using a pushpin, pierce the rear bumper as shown. NOTE: Make sure to pierce the mark perpendicular to the rear bumper.

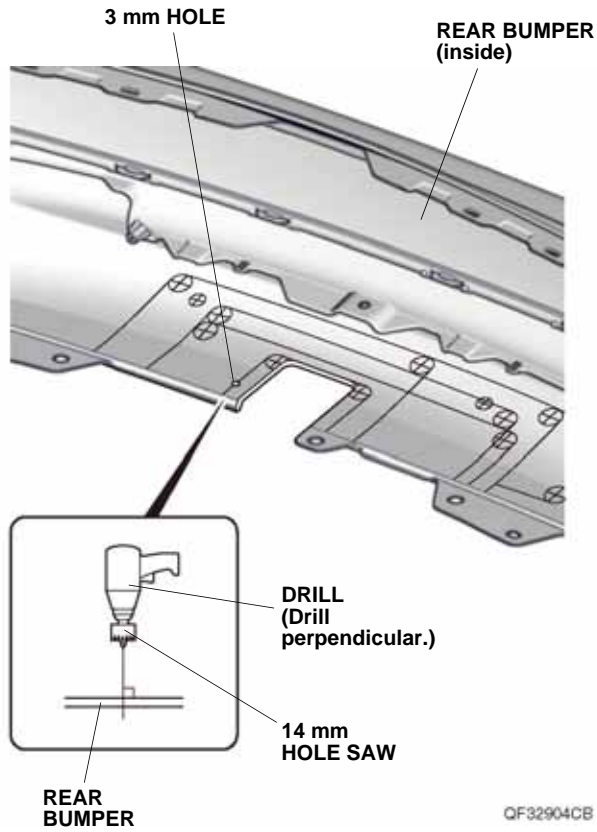


39. While wearing eye protection, drill the pierced mark on the rear bumper with a 3 mm drill bit. NOTE: Make sure to drill perpendicular to the rear bumper.

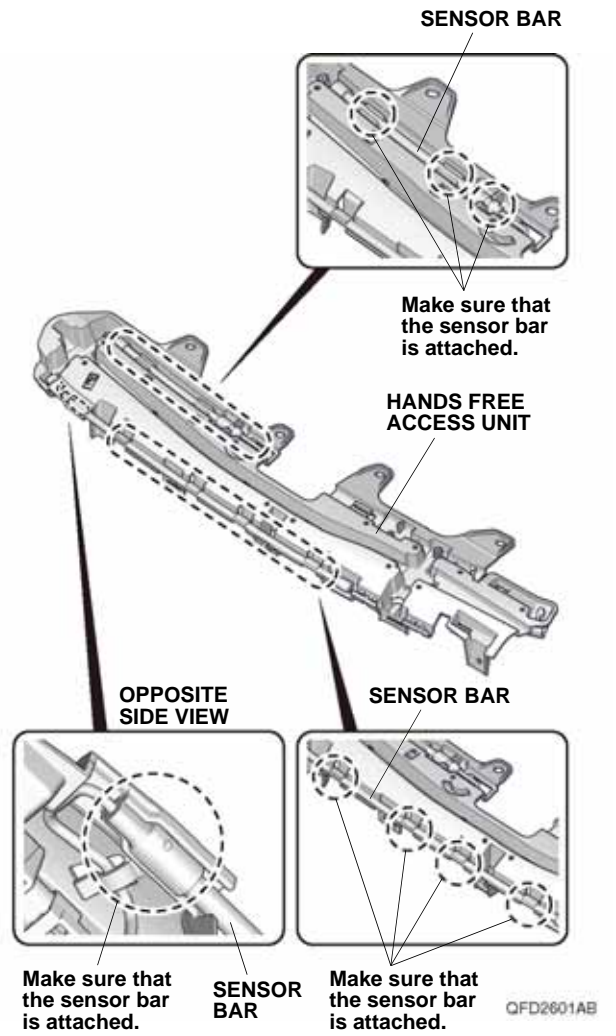




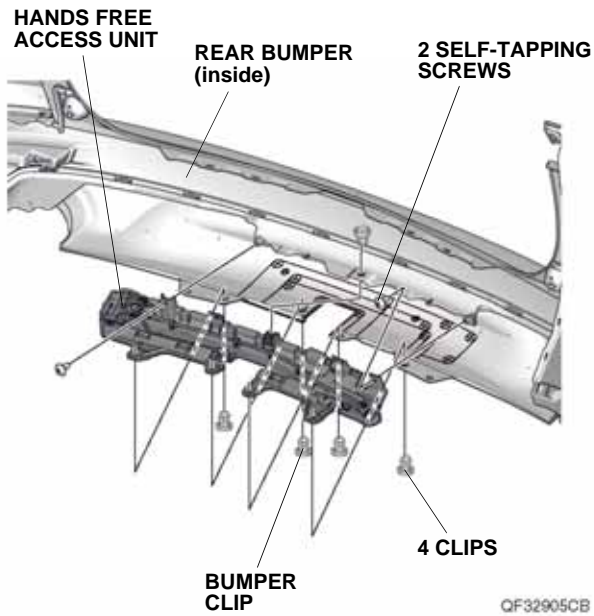
40. While wearing eye protection, enlarge the 3 mm hole to 14 mm using a 14 mm hole saw. Remove any burrs.  
 NOTE: Make sure to drill perpendicular to the rear bumper.



41. Check the installation condition of the sensor bars in the hands free access unit.

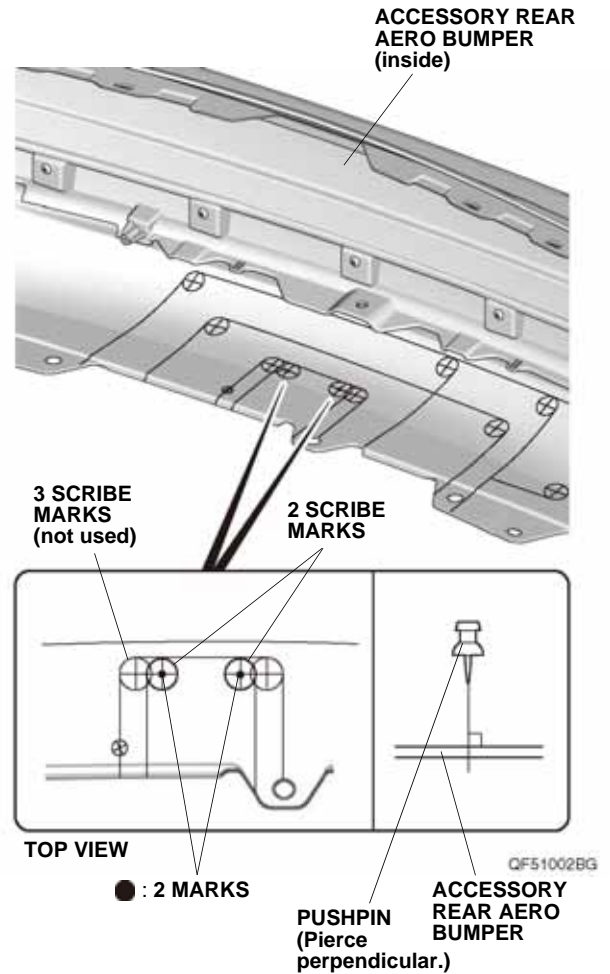


42. Install the hands free access unit to the rear bumper with two self-tapping screws, four clips, and one bumper clip. Go to step 51.

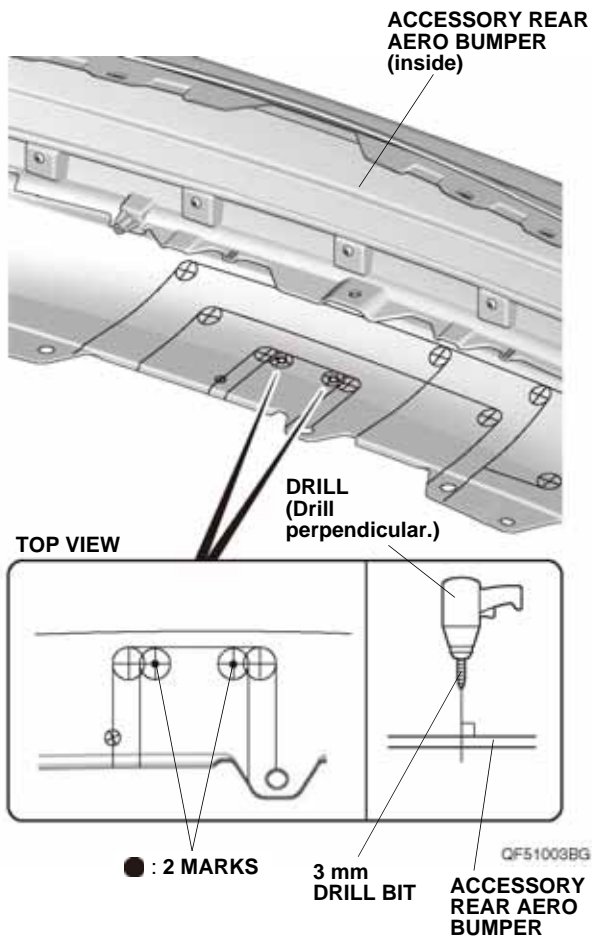


### With accessory rear aero bumper

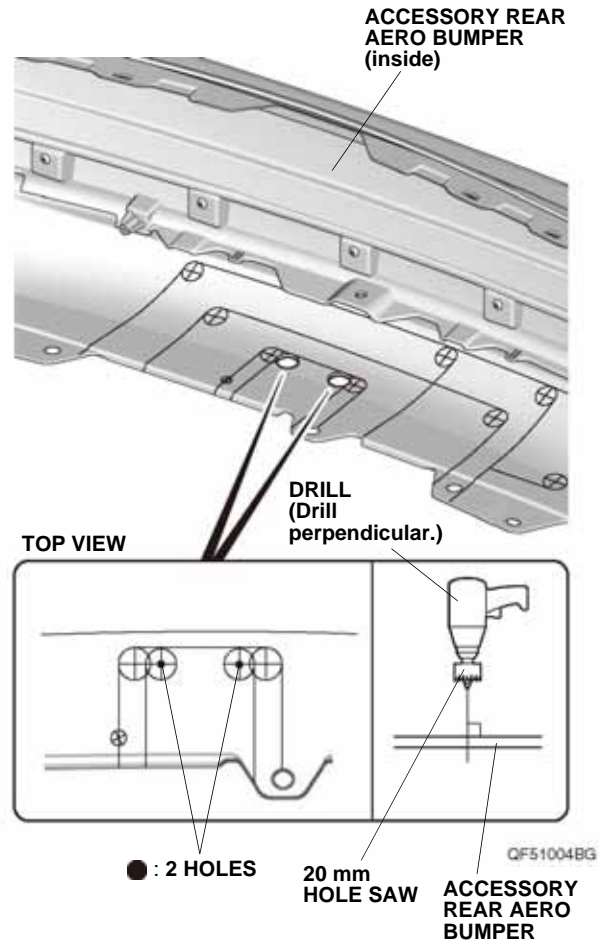
43. Using a pushpin, pierce two marks on the accessory rear aero bumper.
- NOTE:** Make sure to pierce the marks perpendicular to the accessory rear aero bumper. Make sure to pierce the correct position.



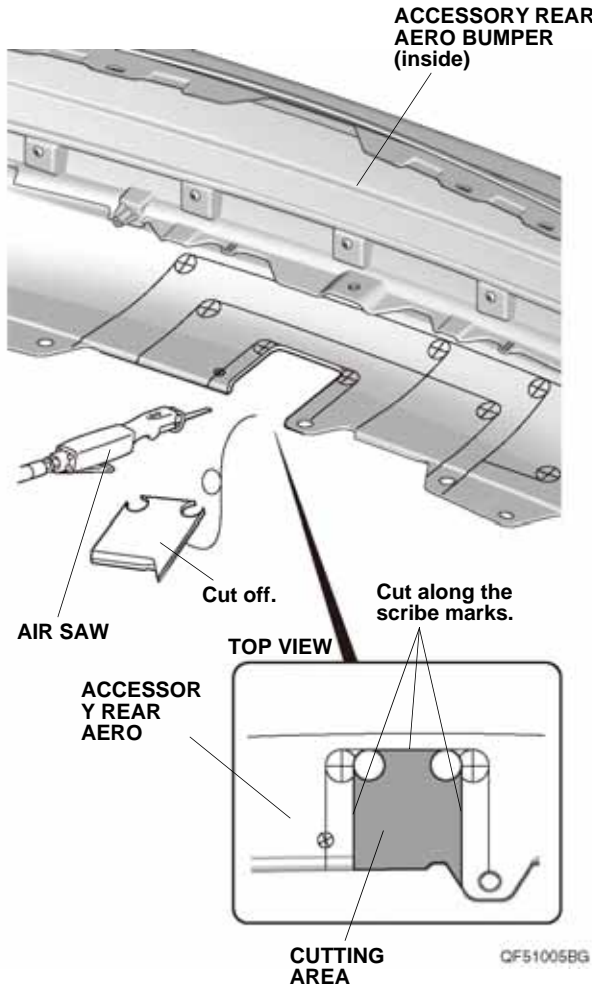
44. While wearing eye protection, drill the two pierced marks on the accessory rear aero bumper with a 3 mm drill bit.  
 NOTE: Make sure to drill perpendicular to the accessory rear aero bumper.



45. While wearing eye protection, enlarge the 3 mm holes to 20 mm using a 20 mm hole saw. Remove any burrs.  
 NOTE: Make sure to drill perpendicular to the accessory rear aero bumper.



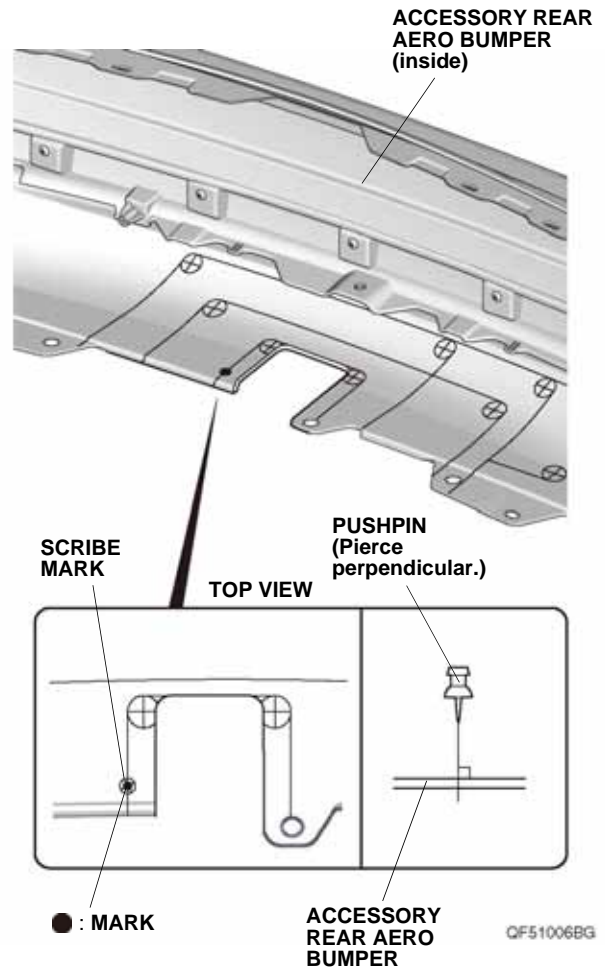
46. While wearing eye protection, use an air saw to cut off the accessory rear aero bumper along the scribe marks on the accessory rear aero bumper as shown. Remove any burrs and sharp edges from the corner.



If the vehicle is equipped with the standard hands free access, continue with step 47; otherwise, go to step 51.

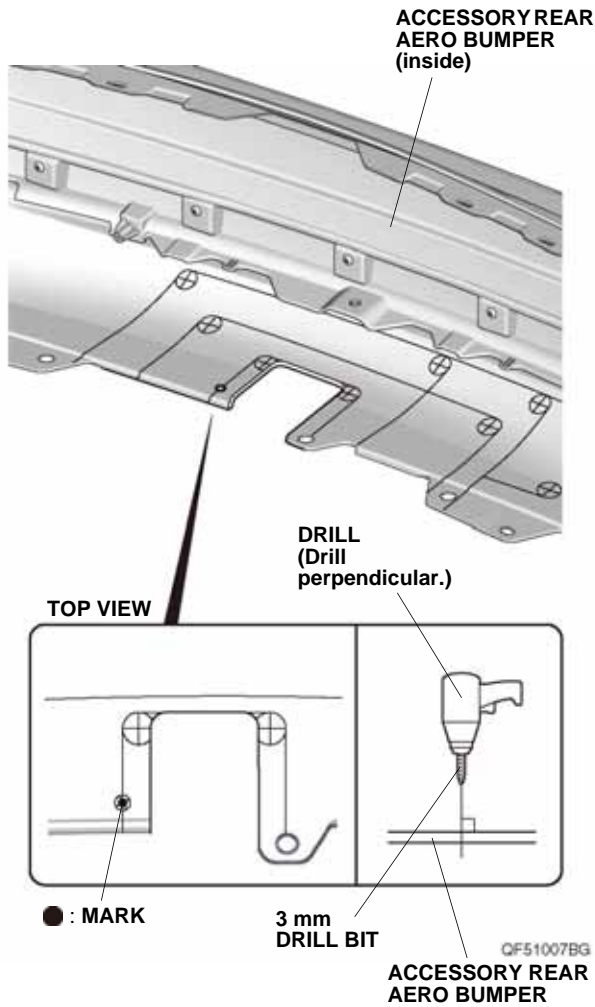
**With standard hands free access**

47. Using a pushpin, pierce the scribe mark on the accessory rear aero bumper.  
 NOTE: Make sure to pierce the mark perpendicular to the accessory rear aero bumper.



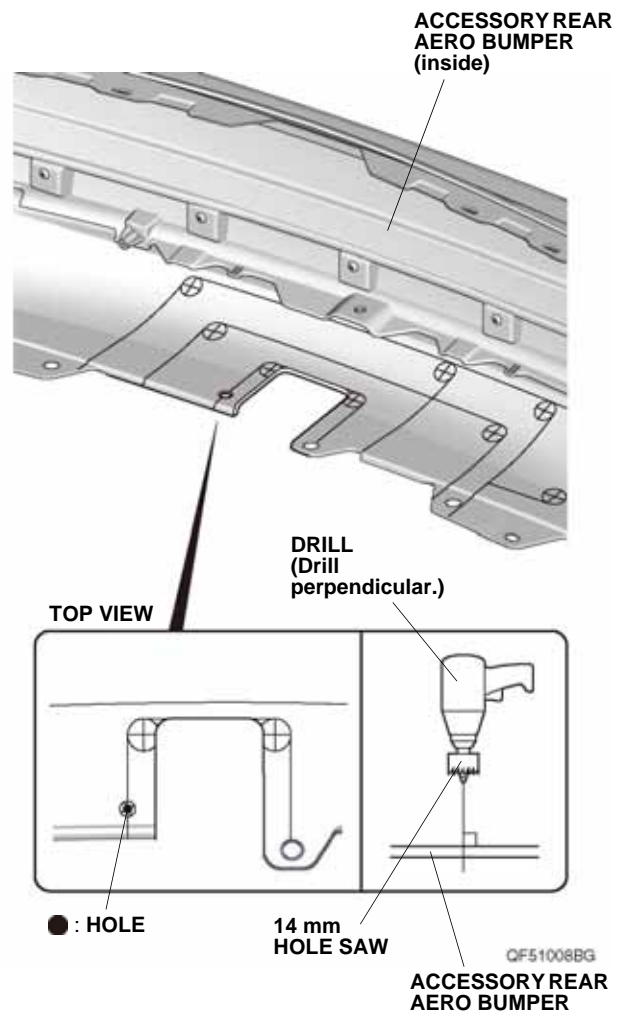
48. While wearing eye protection, drill the pierced mark on the accessory rear aero bumper with a 3 mm drill bit.

NOTE: Make sure to drill perpendicular to the accessory rear aero bumper.

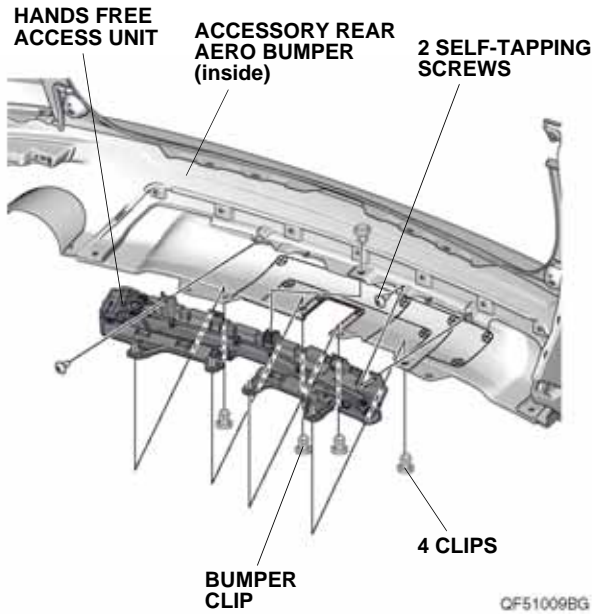


49. While wearing eye protection, enlarge the 3 mm hole to 14 mm using a 14 mm hole saw. Remove any burrs.

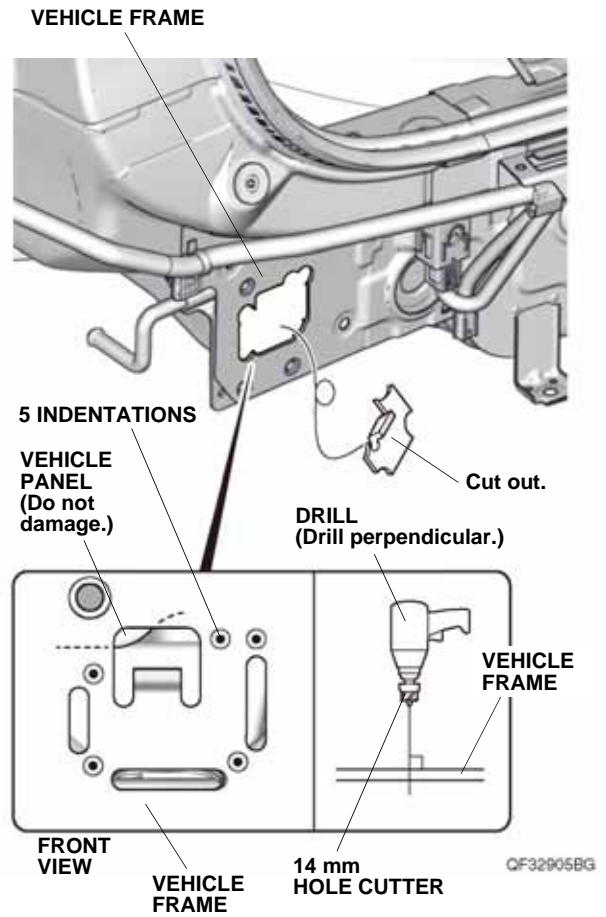
NOTE: Make sure to drill perpendicular to the accessory rear aero bumper.



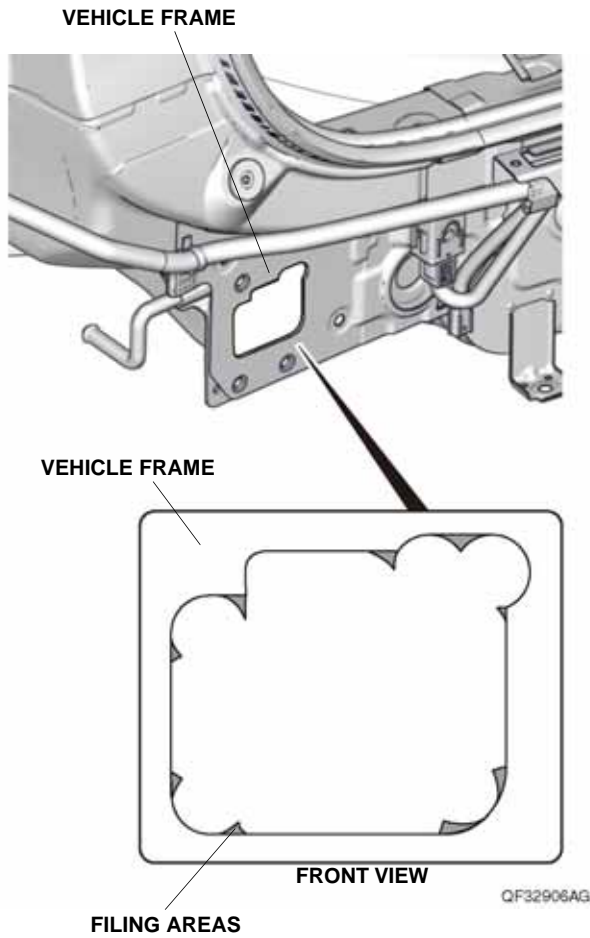
50. Install the hands free access unit to the accessory rear aero bumper with two self-tapping screws, four clips, and one bumper clip.



51. While wearing eye protection, drill the centers of the five indentations on the vehicle frame with a 14 mm hole cutter.  
 NOTE: Make sure to drill perpendicular to the vehicle frame.

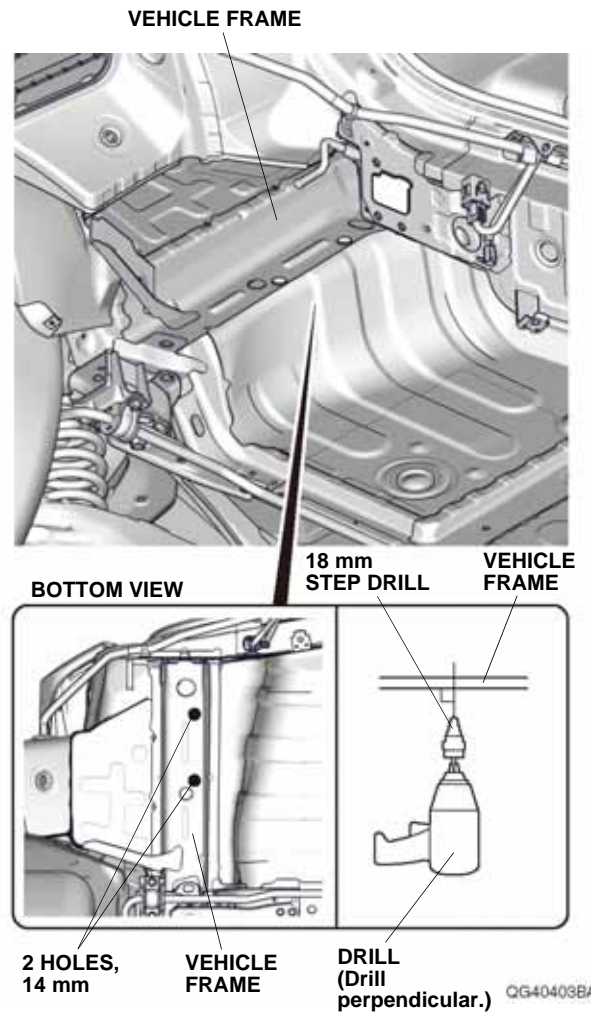


52. Using a file, file the vehicle frame as shown.



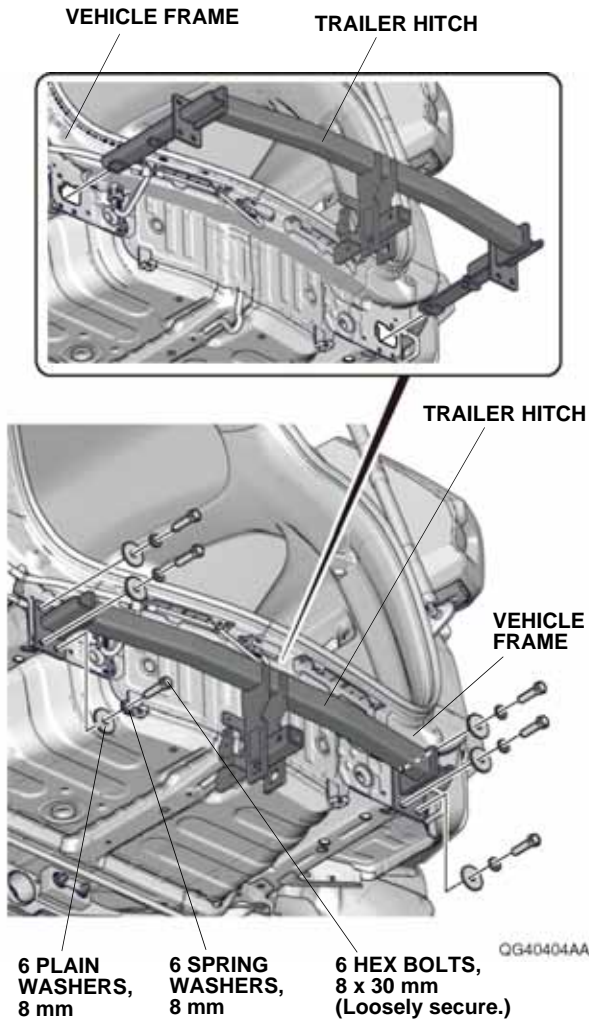
53. Apply touch-up paint to the edges of the holes. Allow the touch-up paint to dry thoroughly.

54. While wearing eye protection, enlarge the two 14 mm holes on the vehicle frame to 18 mm using a 18 mm step drill. Remove any burrs.  
NOTE: Make sure to drill perpendicular to the vehicle frame.



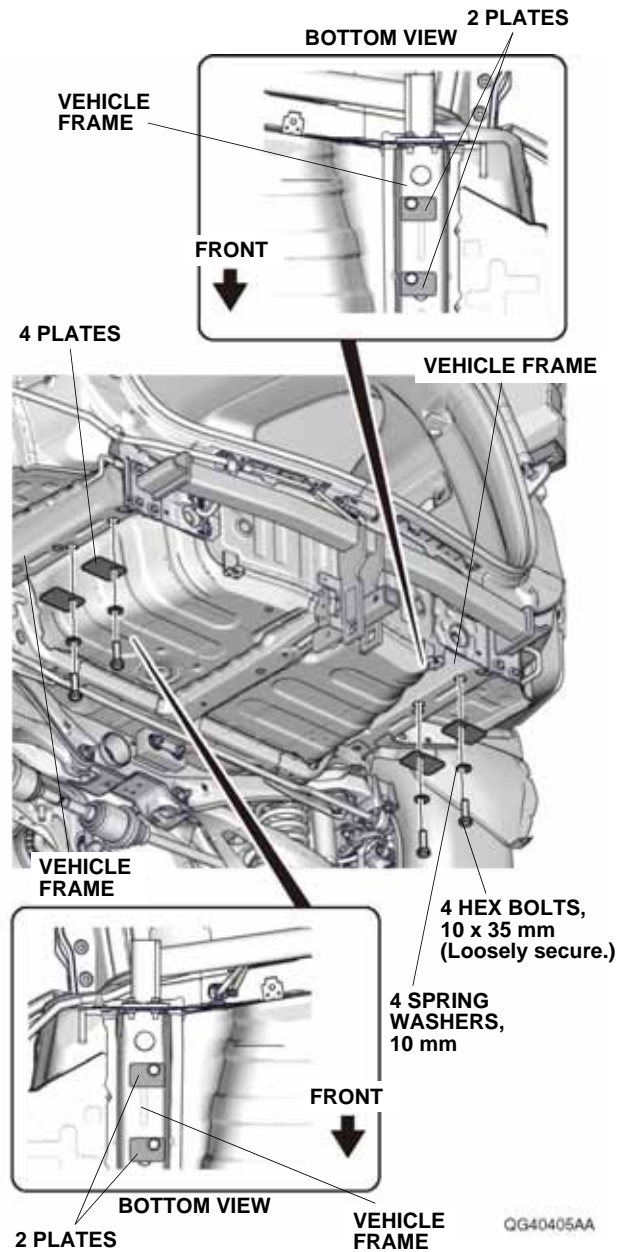
55. Apply touch-up paint to the edges of the holes. Allow the touch-up paint to dry thoroughly.  
56. Repeat steps 51 through 55 on the right side of the vehicle.

57. Install the trailer hitch to the vehicle frame.



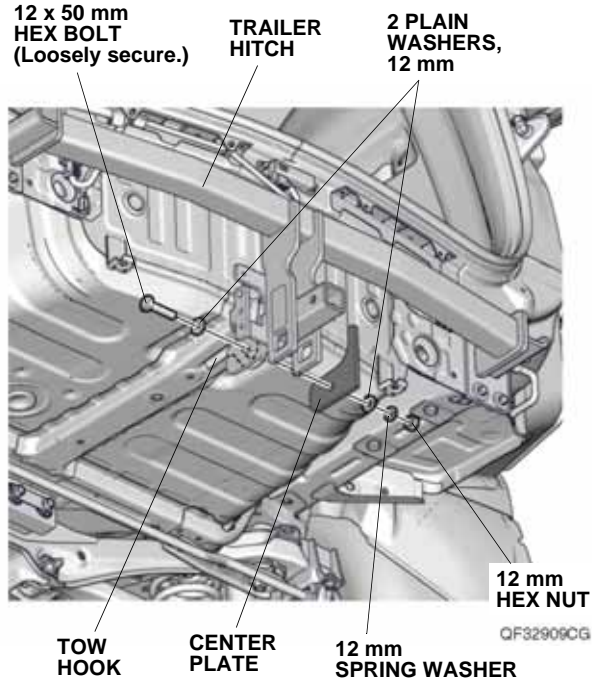
58. Loosely secure the trailer hitch to the vehicle frame with six 8 mm plain washers, six 8 mm spring washers, and six 8 x 30 mm hex bolts.

59. Loosely secure the trailer hitch to the vehicle frame with four plates, four 10 mm spring washers, and four 10 x 35 mm hex bolts.  
NOTE: Make sure to install the plates in the correct orientations.

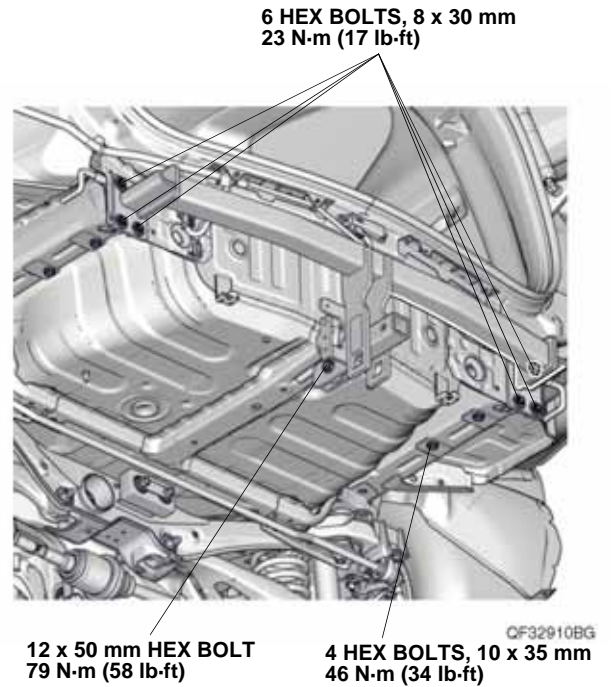




60. Loosely secure the center plate to the trailer hitch with two 12 mm plain washers, one 12 mm spring washer, one 12 mm hex nut, and one 12 x 50 mm hex bolt through the tow hook.
- NOTE: Make sure to install the center plate in the correct orientation.

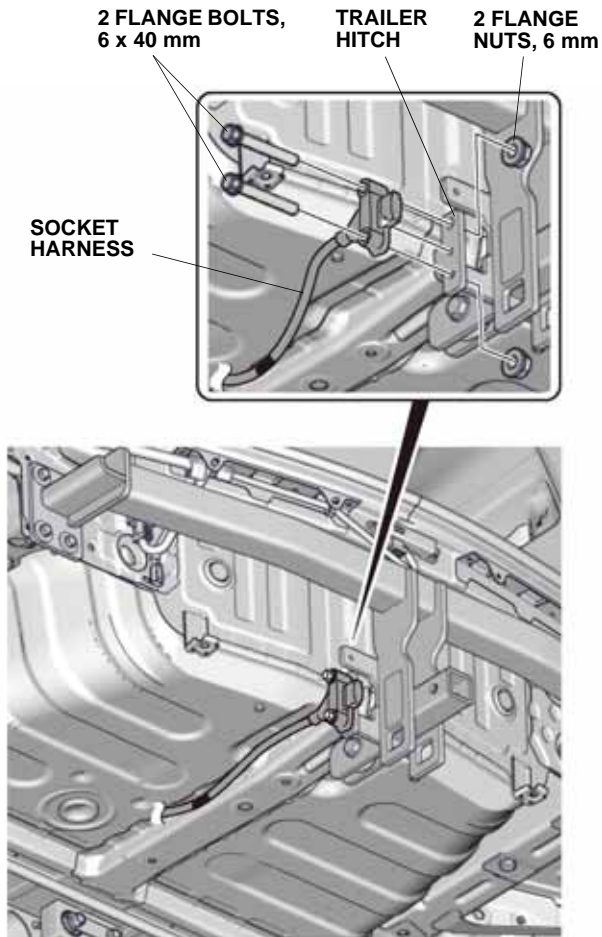


61. Tighten the six 8 x 30 mm hex bolts loosely secured in step 58. Torque the six 8 x 30 mm hex bolts to 23 N·m (17 lb·ft).



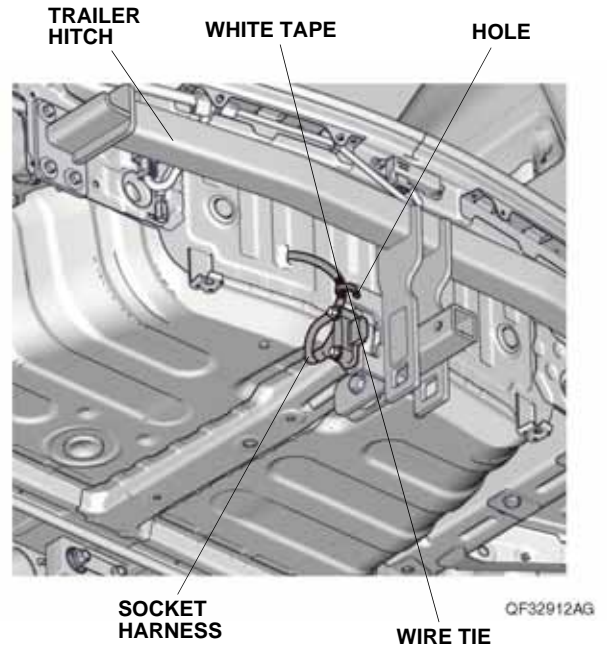
62. Tighten the four 10 x 35 mm hex bolts loosely secured in step 59. Torque the four 10 x 35 mm hex bolts to 46 N·m (34 lb·ft).
63. Tighten one 12 x 50 mm hex bolt loosely secured in step 60. Torque one 12 x 50 mm hex bolt to 79 N·m (58 lb·ft).

64. Secure the socket harness to the trailer hitch with two 6 x 40 mm flange bolts and two 6 mm flange nuts.

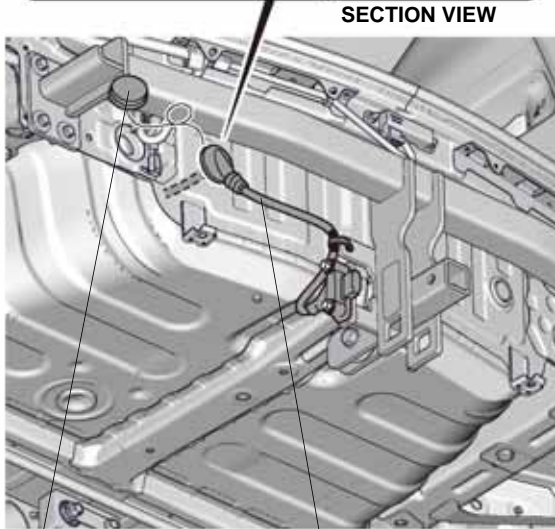
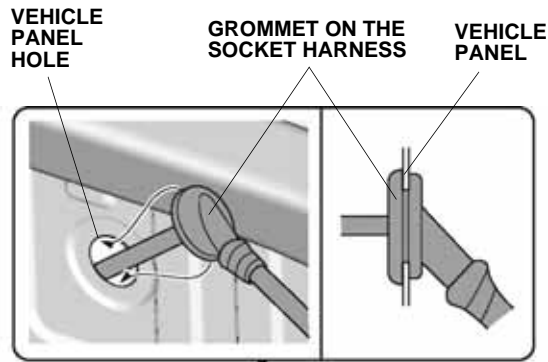


QF32911BG

65. Line up the white tape on the socket harness to the hole on the trailer hitch, and secure the socket harness to the trailer hitch with one wire tie at the white tape on the socket harness.



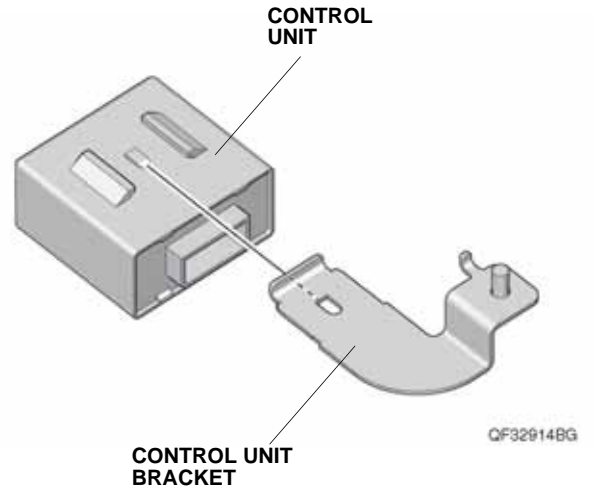
66. Remove the vehicle grommet. Route the socket harness through the vehicle panel hole.



QF32913AG

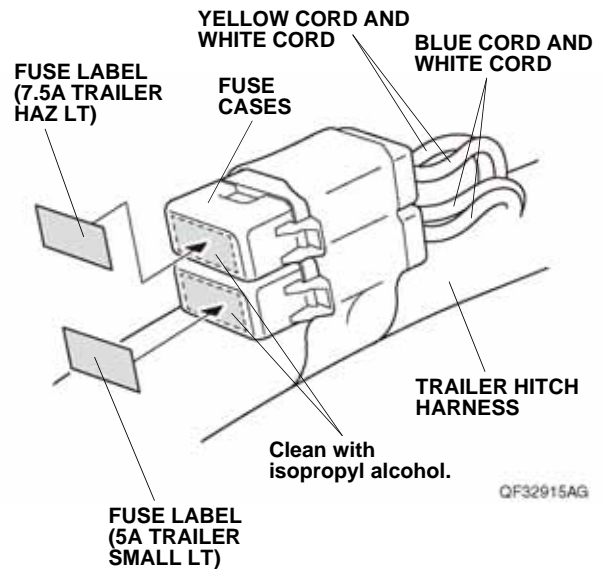
67. Install the grommet on the socket harness into the vehicle panel hole.  
NOTE: Do not pull on the socket harness when installing the grommet.

68. Install the control unit bracket to the control unit.



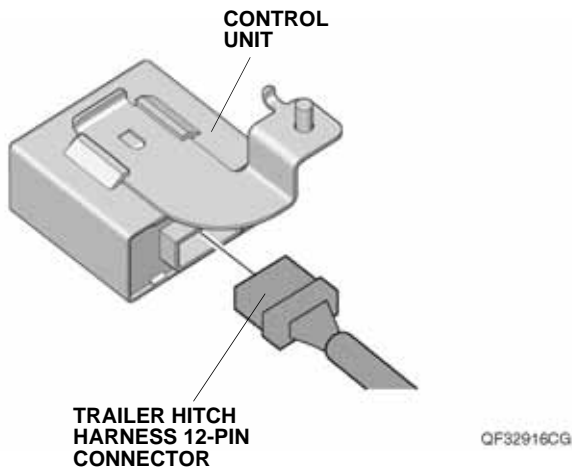
QF32914BG

69. Using isopropyl alcohol on a shop towel, thoroughly clean the fuse cases where the fuse labels will attach. Attach the fuse labels (7.5A TRAILER HAZ LT and 5A TRAILER SMALL LT) to the fuse cases on the trailer hitch harness.

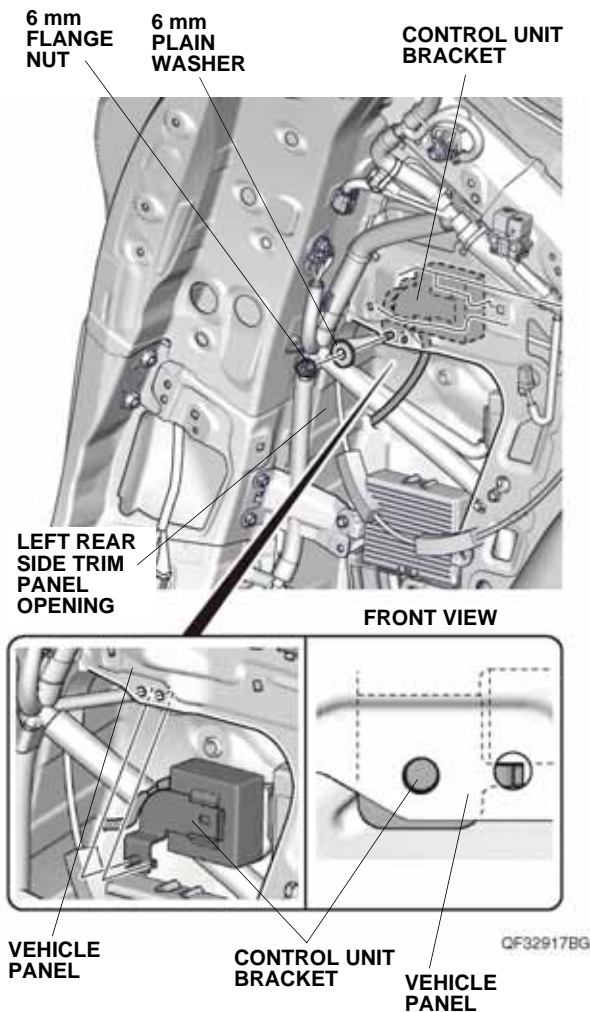


QF32915AG

70. Plug the trailer hitch harness 12-pin connector into the control unit.



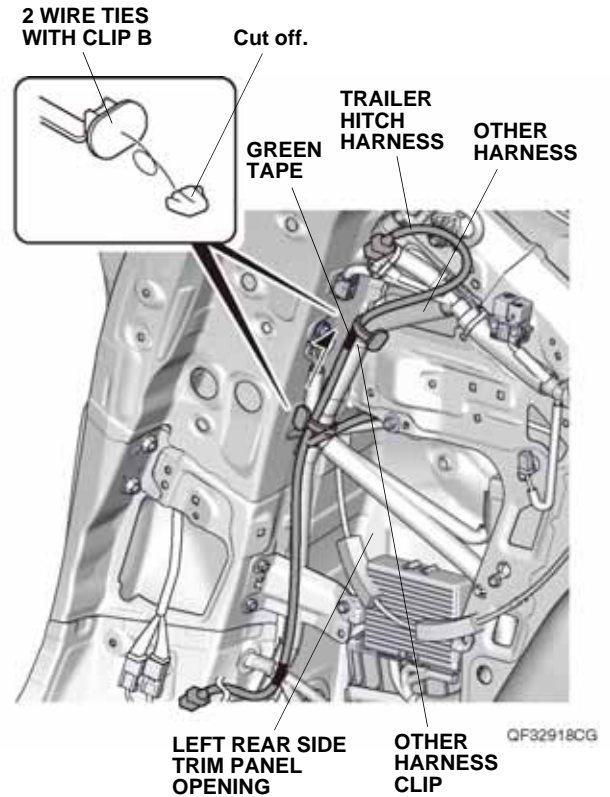
71. Install the control unit bracket to the vehicle panel with one 6 mm flange nut and one 6 mm plain washer.



If the other harness is installed in the area shown, continue with step 72; otherwise, go to step 76.

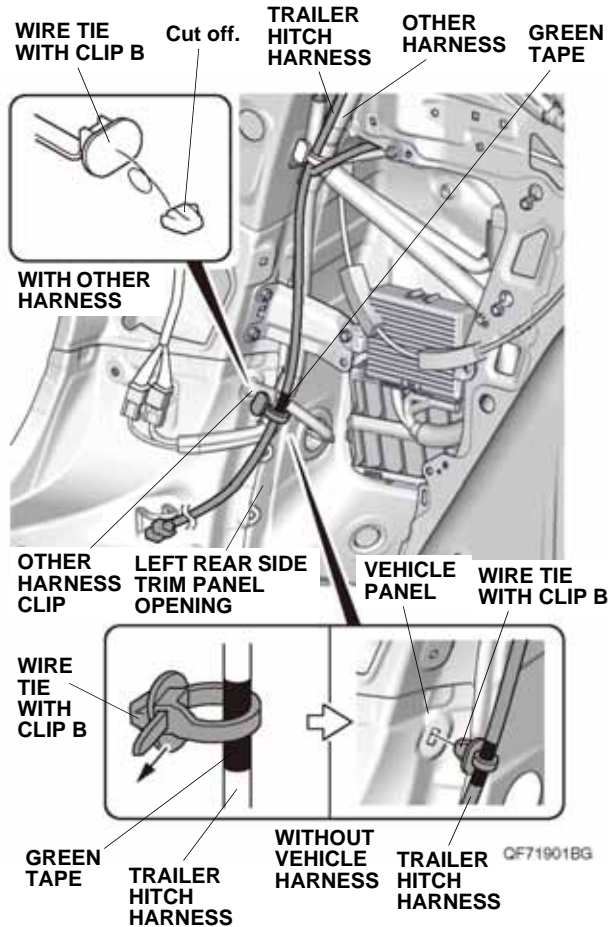
### With other harness

72. Route the trailer hitch harness up along the other harness.



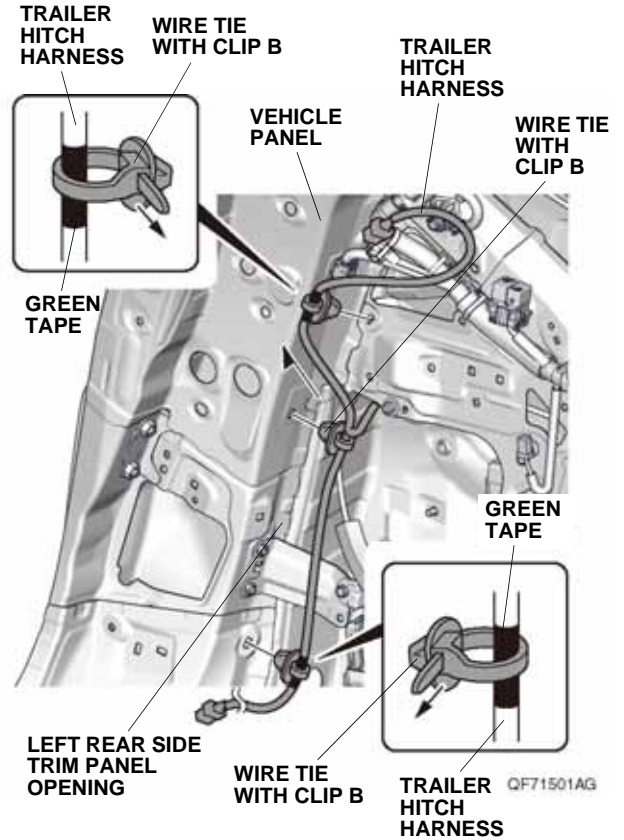
73. Using diagonal cutters, cut off the clip portion off of two wire ties with clip B.
74. Line up the green tape on the trailer hitch harness to the other harness clip, and secure the trailer hitch harness with two wire ties with clip B.

75. Using diagonal cutters, cut off the clip portion off of one wire tie with clip B. Line up the green tape on the trailer hitch harness to the other harness clip, and secure the trailer hitch harness with one wire tie with clip B. If the vehicle is not equipped with the vehicle harness, attach one wire tie with clip B around the green tape on the trailer hitch harness. Secure the trailer hitch harness to the vehicle panel with one wire tie with clip B. Go to step 78.



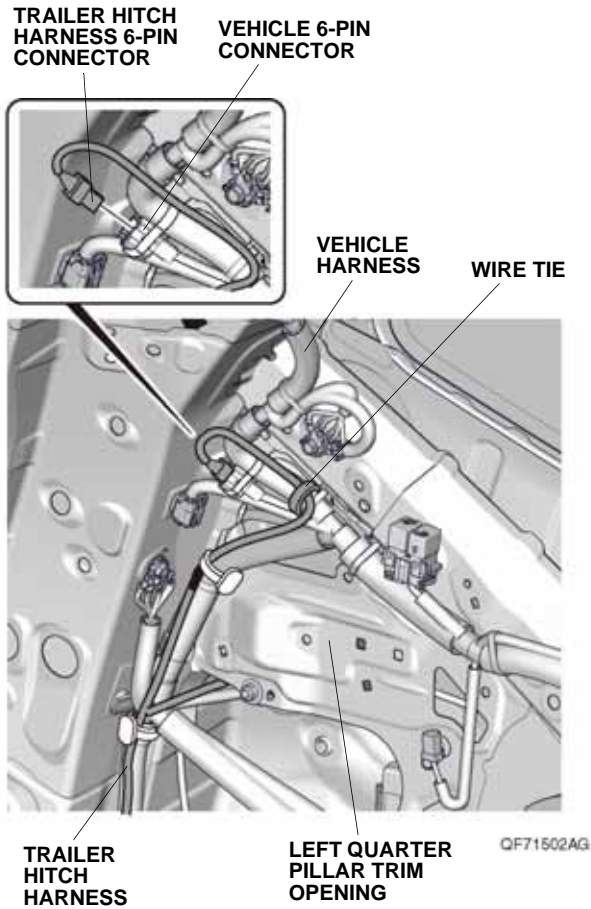
### Without other harness

76. Attach two wire ties with clip B around the green tapes on the trailer hitch harness, then secure the trailer hitch harness to the vehicle panel with two wire ties with clip B.



77. Secure the trailer hitch harness to the vehicle panel with one wire tie with clip B.

78. Plug the trailer hitch harness 6-pin connector into the vehicle 6-pin connector.

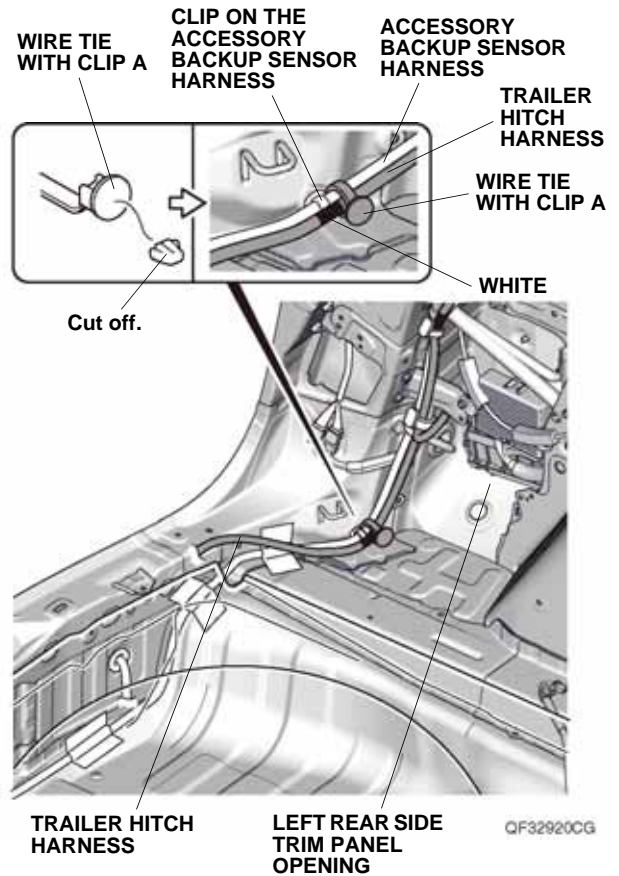


79. Secure the trailer hitch harness to the vehicle harness with one wire tie.

If the vehicle is equipped with the accessory backup sensors, continue with step 80; otherwise, go to step 82.

### With accessory backup sensors

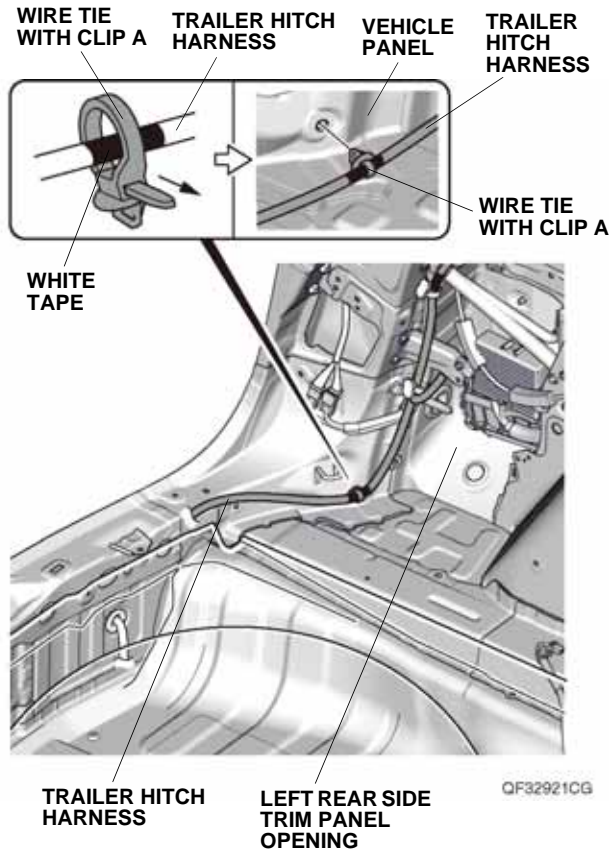
80. Using diagonal cutters, cut off the clip portion from one wire tie with clip A.



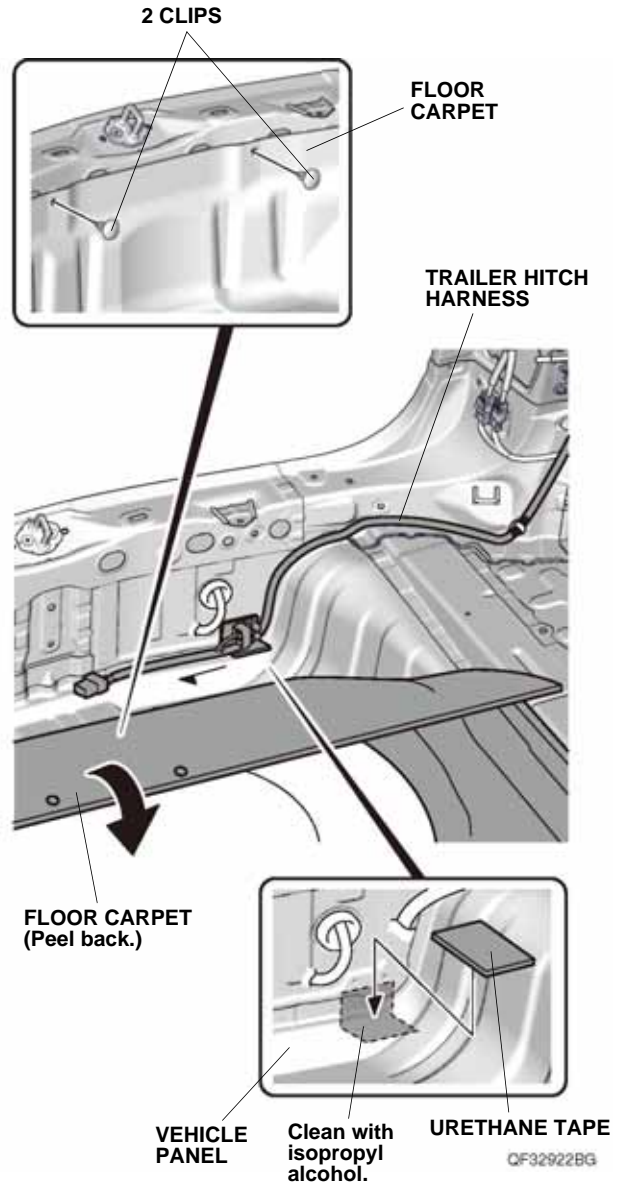
81. Line up the white tape on the trailer hitch harness to the clip on the accessory backup sensor harness, and secure the trailer hitch harness to the accessory backup sensor harness with one wire tie with clip A. Go to step 83.

**Without accessory backup sensors**

82. Attach one wire tie with clip A around the white tape on the trailer hitch harness, then secure the trailer hitch harness to the vehicle panel with one wire tie with clip A.

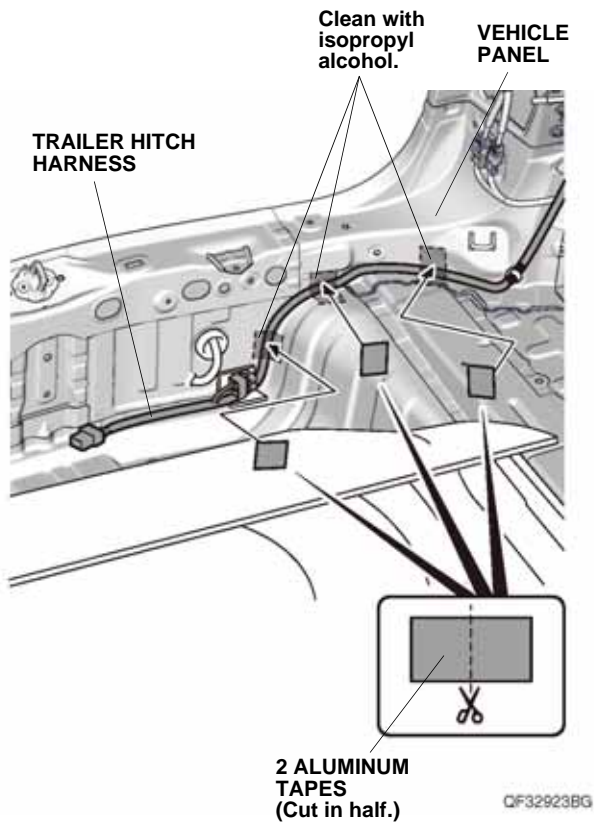


83. Peel back the floor carpet, then route the trailer hitch harness as shown.



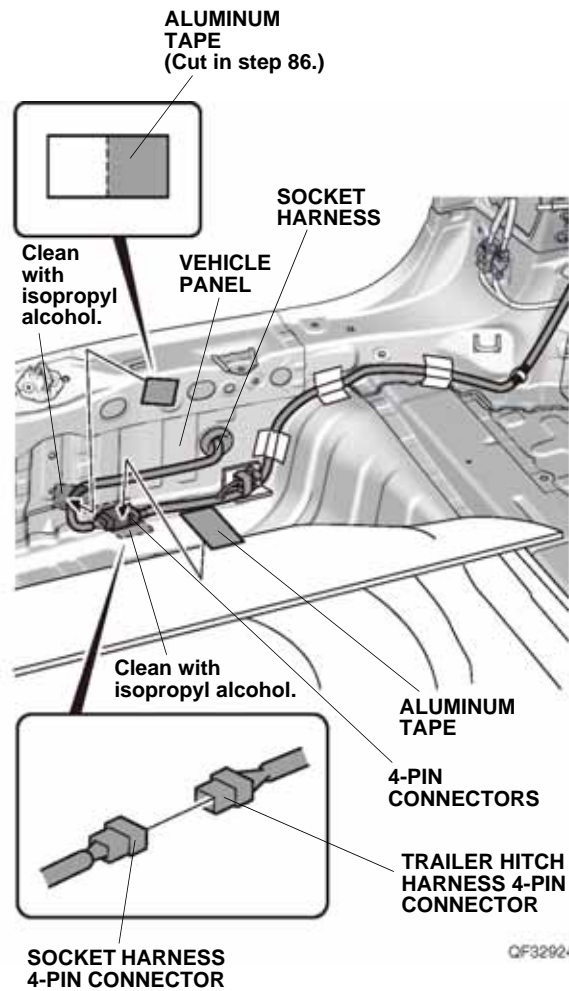
84. Using isopropyl alcohol on a shop towel, thoroughly clean the vehicle panel where the urethane tape will attach. Attach the urethane tape to the vehicle panel as shown.

85. Using isopropyl alcohol on a shop towel, thoroughly clean the vehicle panel where the aluminum tapes will attach.



86. Using scissors, cut two aluminum tapes in half, and secure the trailer hitch harness to the vehicle panel with three halves of aluminum tape as shown.

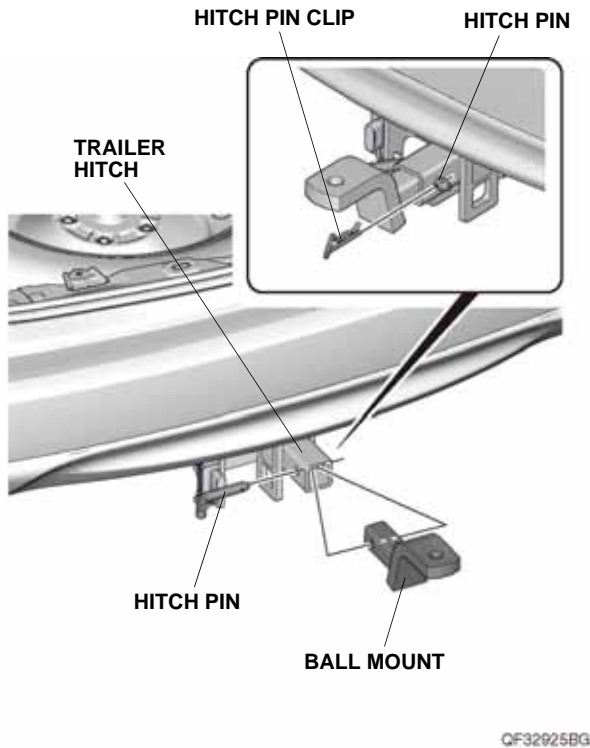
87. Plug the trailer hitch harness 4-pin connector into the socket harness 4-pin connector.



88. Using isopropyl alcohol on a shop towel, thoroughly clean the vehicle panel where the aluminum tapes will attach.
89. Secure the socket harness and 4-pin connectors to the vehicle panel with one half of aluminum tape cut in step 86 and one aluminum tape as shown.



90. Install the rear under cover. With the help of an assistant, reinstall the rear bumper.

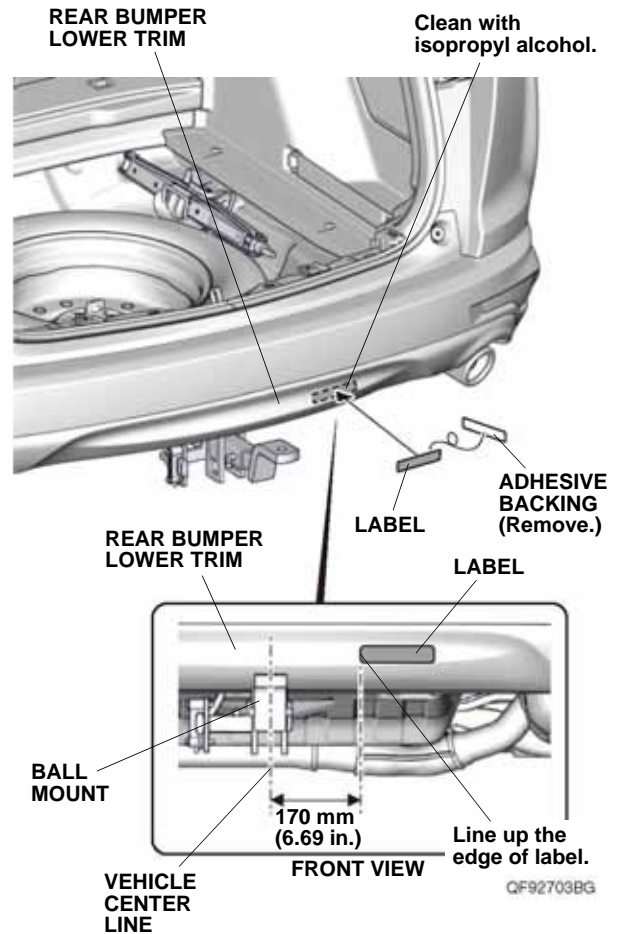


91. Secure the ball mount to the trailer hitch with the hitch pin and hitch pin clip.

**If the vehicle is equipped with the standard hands free access, continue with step 92; otherwise, go to step 94.**

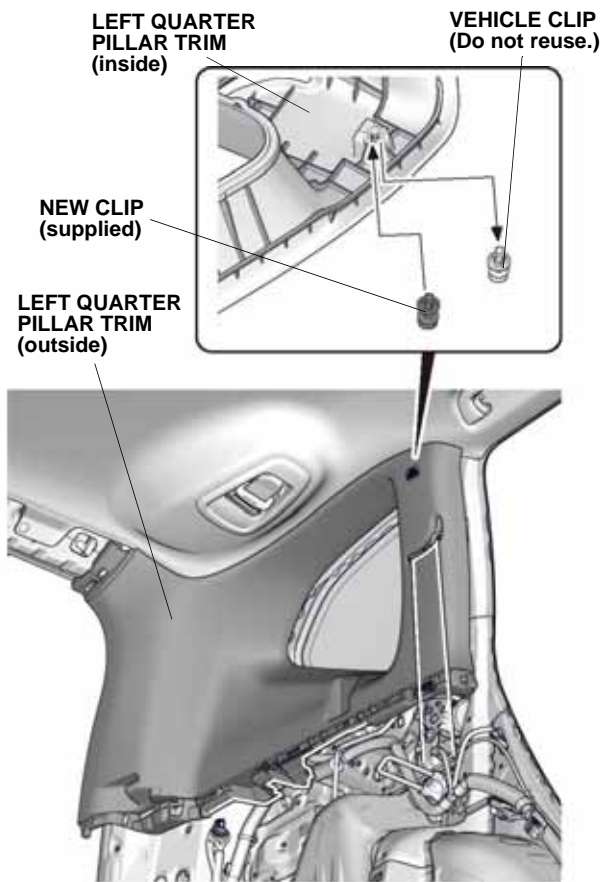
**With standard hands free access**

92. Using isopropyl alcohol on a shop towel, thoroughly clean the rear bumper lower trim where the label will attach.



93. Remove the adhesive backing from the label, and attach the label to the rear bumper lower trim as shown.  
NOTE: Remove the label after confirm. Please advice the customer.

94. Remove the vehicle clip, and install the new clip to the left quarter pillar trim.



QF92702AG

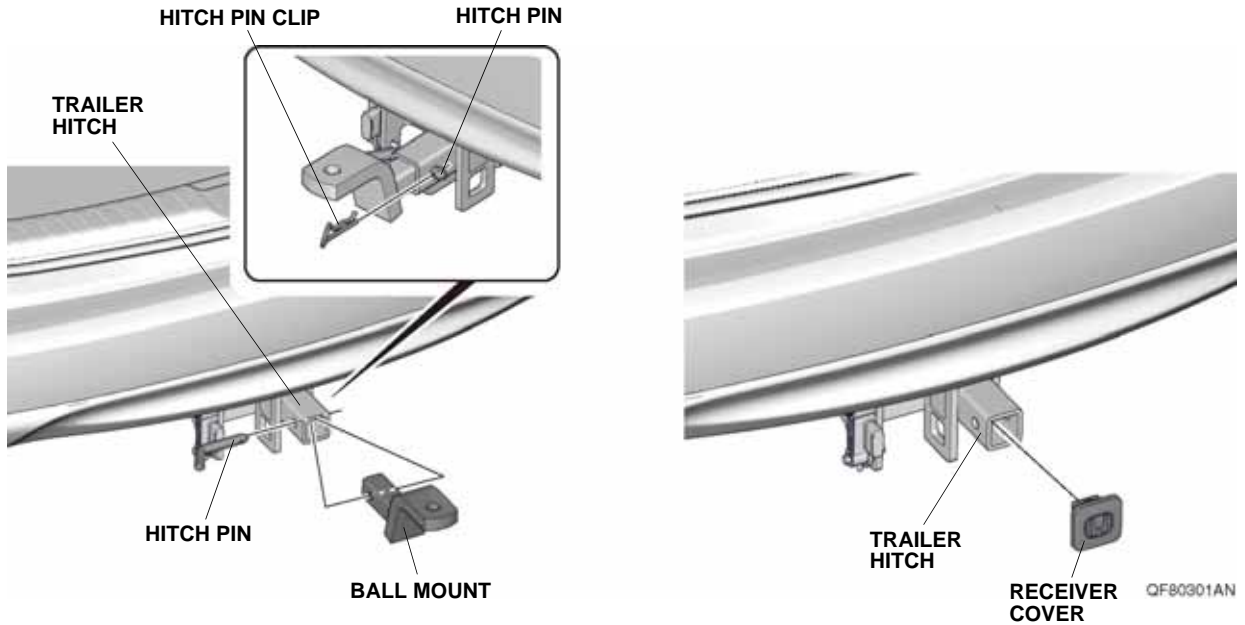
95. Check the overlap between the headliner and the left quarter pillar trim.  
NOTE: Check and adjust the overlap as described in the service information.
96. Install the left quarter pillar trim.  
NOTE: Make sure the side curtain airbag is not tucked under the clip. Do not push the left quarter pillar trim excessively.
97. Check that all wire harnesses are routed properly and all connectors are plugged in.
98. Install all removed parts.
99. Connect the negative cable to the battery.
100. Press and hold the audio unit power button for 2 seconds to restore the audio and navi (if equipped) system functions.
101. Set the clock on vehicles without navigation.
102. Provide rear bumper beam and six bolts (removed in step 23) to customer.

## Check the Operation of the Trailer Hitch

103. Refer to the "TRAILER HARNESS TESTER", and do the "Trailer Harness Circuit Check".

Put a copy of this page in the glove box for your customer.

Install the ball mount to the trailer hitch using a hitch pin clip and hitch pin. Whenever you remove the hitch pin clip, the hitch pin, and the ball mount, store them securely in the cargo area. Install the receiver cover into the opening at the end of the trailer hitch. When you reinstall the ball mount, store the receiver cover in the cargo area.



After the first 600 miles (1,000 km) of towing, have your Honda dealer check the tightness of the trailer hitch bolts.

**⚠ WARNING**

If you remove the trailer hitch, replace with the appropriate rear bumper beam. Failure to replace the rear bumper beam will reduce crashworthiness and increase the likelihood of severe injury or death in a collision.

