



**Logitech®**  
Z-680

Setup  
Installation  
Instalación

**IMPORTANT SAFETY INFORMATION****CAUTION  
ELECTRIC SHOCK HAZARD**

- Read these instructions.
- Keep these instructions.
- Heed all warnings.
- Follow all instructions.
- Unplug the speakers from the computer and from the electrical outlet before cleaning them with a dry cloth.
- Install in accordance with the manufacturer's instructions.
- Place the speakers in a stable location so they will not fall causing damage to the speakers or bodily harm.
- Do not use the speakers near water, and do not immerse them in any liquid or pour any liquid on them.
- Do not block the openings in the speaker cabinets, never push objects into speaker vents or slots because of fire or electric shock hazards, and provide sufficient space around the speakers for proper ventilation.
- Do not install near any heat sources such as radiators, heat registers, stoves, or other apparatus (including amplifiers) that produce heat.
- Do not defeat the safety purpose of the polarized plug. A polarized plug has two blades with one wider than the other. The wide blade is provided for your safety. If the provided plug does not fit into your outlet, consult an electrician for replacement of the obsolete outlet.
- Operate the speakers only from the low level audio line out jack of the computer or of an audio device.
- Protect the power cord from being walked on or pinched particularly at plugs, convenience receptacles, and the point where they exit from the apparatus.
- Only use attachments/accessories specified by the manufacturer.
- For added protection during lightning storms, unplug the speakers from the electrical outlet and turn off the computer.
- Unplug this apparatus when unused for long periods of time.
- Servicing is required when the apparatus has been damaged in any way, such as when the power-supply cord or plug has been damaged, liquid has been spilled or objects have fallen into the apparatus, the apparatus has been exposed to rain or moisture, does not operate normally, or has been dropped.
- Refer all servicing to qualified service personnel.
- The speakers should be disconnected from the mains by placing the subwoofer Master Power switch in the off position and unplugging the power cord of the speakers from the AC mains receptacle.

**WARNING:**  
**TO REDUCE THE RISK OF ELECTRIC SHOCK,**  
**DO NOT EXPOSE THIS APPARATUS TO**  
**RAIN OR MOISTURE.**

Thank you for purchasing Logitech's Z-680 multimedia speaker system. We've worked hard to meet the rigid standards of THX<sup>®</sup> and have included the latest Dolby<sup>®</sup> Digital and DTS<sup>®</sup> technologies in order to give you a superior digital audio experience for your PC, gaming, or home theater needs.



Dolby<sup>®</sup> Digital is the universal standard for 5.1 digital sound. DVDs, PlayStation<sup>®</sup>2, Xbox<sup>™</sup>, digital cable, satellite TV, and HDTV all use Dolby<sup>®</sup> Digital. The Z-680 includes a hardware Dolby<sup>®</sup> Digital decoder for full, rich 5.1 digital sound.



THX<sup>®</sup> certification is the "seal of approval" for speaker quality. It is an absolute assurance that these speakers accurately recreate the full sonic experience of a movie theater. The Z-680 is one of a select few speaker systems that meets the rigid standards for unparalleled THX<sup>®</sup> quality sound.

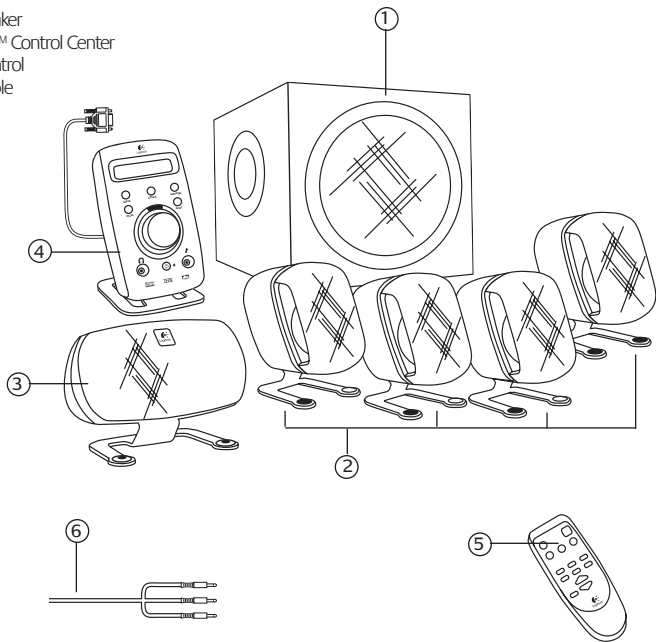


DTS<sup>®</sup> Digital Surround delivers 5.1 digital sound that rivals master soundtracks. DTS<sup>®</sup> soundtracks are included in many DVD videos, DVD Audio discs and PlayStation<sup>®</sup>2 games. The Z-680 includes a hardware DTS<sup>®</sup> decoder for master-quality sound.

Please take a few minutes to read this manual before setting up your Z-680 system. It will help you optimize your listening experience.

**⚡ Important:** For your safety, set up the entire system before plugging it into a power source.

1. Subwoofer
2. Satellite speakers
3. Center channel speaker
4. Digital SoundTouch™ Control Center
5. Wireless remote control
6. 6-channel direct cable



## Setting up your Z-680 system:

### Satellite speakers

Before attaching the cables, position two satellite speakers on either side of your computer monitor or television about the same distance from each other as from you. Angle them to face you.

Place the rear speakers behind you and about the same distance apart as the front speakers. You may want to mount these speakers on the wall. If so, simply loosen the screws on the stands and rotate the stands 180°. Mount the speakers using appropriate wall anchors through the holes in the stands.

For a pro-audio look, remove the cloth grilles by pulling them straight off. Removing the grilles will not affect sound quality.

### Center channel

Depending on your configuration, place your center channel speaker on your desk (angled up), on top of your monitor or television (angled down), or wall-mounted (angled down). To angle the speaker down for placement on top of your monitor or television, remove the screw, rotate the stand 180 degrees, and reinsert the screw. To wall mount the speaker, remove the screw and mount the stand through the other hole on the bottom of the speaker.

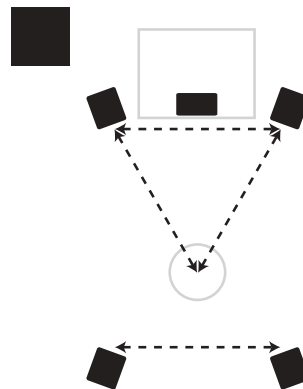
### Subwoofer

Because bass frequencies are non-directional, the subwoofer can be placed anywhere in relation to the other speakers. To ensure optimum sound quality do not block the driver or the bass port. To achieve the strongest bass, place the subwoofer near a wall, corner or under a desk.

Note: Please ensure adequate ventilation around the subwoofer. Keep the cooling fins on the back of the subwoofer at least 3 inches away from any object. For your safety, the Z-680 system is protected by a thermal overload switch, which will cause the system to shut down if it becomes too hot. In rare circumstances where the ambient room temperature is high, the unit can shut down. If this occurs, turn off the system and allow it to cool. Increase the ventilation around the system before turning the power back on.

### Digital SoundTouch™ Control Center

Position the Digital SoundTouch™ Control Center where it is easy to reach.



**Connecting the speakers:**

Once you have positioned the speakers, connect them to the subwoofer. Two 6' lengths and three 15' lengths of speaker cable are included. If you want to position your speakers further away, you can use commercially available speaker cable.

**Important:** Do not plug the subwoofer into AC power until all connections have been made. Improperly connected or shorted speaker wires will damage the system.

On the back of each speaker, unscrew the terminal connectors until you see the holes through the center posts. Insert the cable into the holes, and tighten the connectors.

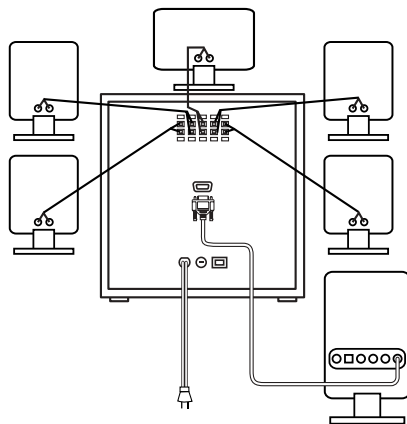
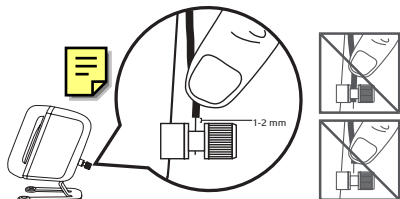
Connect the speaker end of each wire before connecting the subwoofer end.

On the back of the subwoofer, press the lever on the terminal and insert the cable. Release the lever and the cable will be locked into position. To avoid wiring confusion, connect the speakers to the subwoofer one at a time. Be sure to connect the cables from the red and black terminals on the speakers to the corresponding red and black terminals on the subwoofer. The cable has a white stripe to aid in maintaining proper polarity.

**Important:** To avoid shorting out the system, make sure that no exposed wires touch each other and that no stray wires touch other terminals.

When properly connected, the speakers will operate "in phase" and your sound quality will be optimized. If not connected properly, the system will operate "out of phase." While this won't damage the system, the sound will be less clear and the bass sounds will be diminished.

**Important:** Only use the Z-680 satellites with the Z-680 subwoofer. The system is not designed to be used with any other speakers.

**Connecting the Digital SoundTouch™ Control Center:**

Attach the D-sub cable from the Digital SoundTouch™ Control Center to the subwoofer and tighten the thumbscrews on each side of the connector. **The cable to the control center is specially built for the Z-680 system and cannot be extended.**

**Important:** Do not use an extension cable designed for computer monitors. Computer monitor cables may damage your Z-680 system.

**Connecting your Audio Sources:**

The Z-680 speaker system can connect to as many as 4 different audio sources simultaneously. These sources can be connected in a variety of different configurations, depending on the type of equipment you have. Instructions are provided below for each type of equipment.

A common configuration is:

- PC sound card to 6-channel direct
- Video game console to optical
- DVD player to coax
- Portable audio to auxiliary jack

**NOTE:** To use the optical or coax jacks, you will need to purchase an optical or coax cable separately. These are readily available at most consumer electronics retailers.

**PCs****Digital Connection**

If your sound card has a digital output jack, you can use it to connect to the Digital SoundTouch™ Control Center. The control center supports either an optical or a coaxial connection. Check your sound card documentation for instructions on how to enable the sound card's digital output.

**Analog Connection**

Use the 6-channel direct input cables to connect the Digital SoundTouch™ Control Center to the analog jacks on your sound card. For optimal sound, connect only those cables necessary for your sound card and leave the other cables unattached **at both ends**:

- 6-channel sound card: Connect the orange, black, and green plugs to the Digital SoundTouch™ Control Center and to the color-coded jacks on the sound card.
- 4-channel sound card: Connect the green and black plugs to the Digital SoundTouch™ Control Center. Connect the green plug to the sound card's front jack and the black plug to the sound card's rear jack. Leave the orange plug unattached at both ends.
- 2-channel sound card: Connect the green plug to the Digital SoundTouch™ Control Center and to the "line out" jack on your sound card. Leave the orange and black plugs unattached at both ends.

## Video game consoles

### Digital Connection (PlayStation® 2 or Xbox™ only)

For optimal sound, use an optical cable to connect the video game console to the optical jack on the Digital SoundTouch™ Control Center. If you are connecting the Z-680 system to an Xbox™, you will also need to purchase an adapter (the Xbox™ Advanced AV Pack or the Xbox™ High Definition AV Pack) to make this connection.

### Analog Connection (all consoles)

The Z-680 system is compatible with all video game consoles that use red and white RCA audio cables. If you want to connect the Z-680 system to your video game console using an analog connection, you will need to buy an adapter that connects the red and white audio cables from your console to the green analog input jack on the Digital SoundTouch™ Control Center. With this type of connection, the audio signal will be directed to the front left and right speakers only.

## Audio/video player

### DVD or CD

Connect your DVD or CD player to the Digital SoundTouch™ Control Center using a digital connection appropriate for your player.

### Portable audio player

To use a portable audio player (such as a personal CD or MP3 player) with the Z-680 system, plug it into the auxiliary input jack on the front of the Digital SoundTouch™ Control Center.

## Testing Your Speakers:

Plug the power cord into a wall outlet and turn on the master power switch on the back of the subwoofer.

Access the speaker test feature by pressing the Test button on the wireless remote control. A test tone will cycle through each speaker. While in your normal listening position, use the Sub, Center, or Surround +/- buttons to adjust the speakers to your satisfaction. For optimal sound, each speaker should play the test tone at the same volume level.

## Enjoying Your Logitech Z-680 Speaker System:

The Digital SoundTouch™ Control Center gives you easy access to the numerous features of the Z-680 system. You can also access these features from the wireless remote control.

### ① LCD display

The LCD display allows you to configure your listening environment. When idle, the LCD shows the input and effect you are listening to.

### ② Input

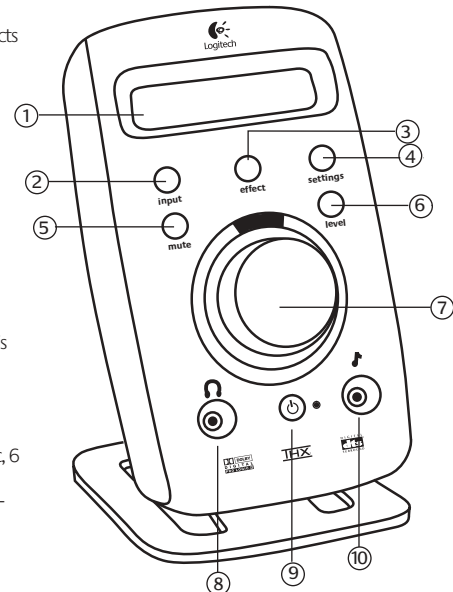
Use the Input button to select the audio source. Pressing the button will cycle through each of the three source inputs: optical, coax and (6-channel) direct.

### ③ Effect

The effect button allows you to select music effects to enhance your listening enjoyment. The Z-680 system supports the following effects:

- Dolby® Digital
- DTS®
- MPEG
- Dolby® Pro Logic II Movie
- Dolby® Pro Logic II Music
- 6 Channel Direct
- Stereo x2
- Stereo

For some types of input sources, including 6-channel digital audio sources such as Dolby® Digital, DTS® and MPEG multi-channel, the effect is automatically selected and cannot be changed. However, for most 2-channel sources, you can choose a desired effect. Use the Effect button to cycle through the different choices, including: Dolby® Pro Logic II Movie, Dolby® Pro Logic II Music, 6 Channel Direct, Stereo x2, and Stereo. Note that the list of available effects can be limited depending on the input source.



**4 Settings**

Use this button to change the settings for certain effects, listed below. Press the settings button to cycle through the available settings. Rotate the system volume knob to change the displayed setting. If you press this button and the active effect does not have changeable settings, the LCD will display “No settings for this effect.”

**Surround Delay**—The surround delay setting allows you to adjust the delay of the rear speakers to accommodate your rear speaker placement.

**Dimension (Dolby® Pro Logic II Music only)**—Use this setting to adjust the signal toward either the front or rear speakers to achieve a better sound.

**Center Width (Dolby® Pro Logic II Music only)**—This setting allows improved blending of the center and main speakers by allowing the adjustment of the signal so that it is heard only from the center speaker, only from the left and right speakers as a phantom center image, or from combinations of the three front speakers.

**Panorama (Dolby® Pro Logic II Music only)**—Use this setting to extend the front signal to the surround speakers for a “wraparound effect.”

**5 Mute**

To mute the system volume, press this button. The LCD display will show “Mute on.”

**6 Level**

This feature allows you to adjust the following levels: subwoofer, surround, center, and system volume. Press the Level button to scroll through the options and use the system volume knob to adjust the levels to your satisfaction.

**7 System volume**

While idle, this knob is used to adjust the system volume. This knob is also used to adjust other functions, such as settings and levels.

**8 Headphone jack**

To use headphones with your Z-680 system, plug them into this jack. The speakers will mute automatically for private listening. Control the headphone volume with the system volume knob.

**9 Power/Standby**

Use this button to turn power on or to place the system in standby mode. The adjacent LED is blue when the power is on and red when the system is in standby mode. While in standby mode, the system will still consume a small amount of power. To completely disconnect the system from the power source, disconnect the power cord from the wall receptacle.

**10 Auxiliary jack**

To use your portable audio player with the Z-680 system, plug it into this jack. Note: The Digital SoundTouch™ Control Center mixes the auxiliary input with the current input.

**Technical Specifications**

- Total RMS Power: 505 Watts
  - Subwoofer: 188 watts RMS into 8 ohms at 100Hz at 10% THD (total harmonic distortion)
  - Satellites: 317 watts RMS (2 x 62 w Front; 2 x 62 w Rear; 69 w Center) into 8 ohms at 1 kHz at 10% THD (total harmonic distortion)
- Total Peak Power: 1000 Watts at <10% THD
- System sound pressure level (SPL): >115dB
- System acoustic frequency response: 35Hz to 20KHz
- System distortion: Better than 0.11% THD before clipping

**Limited Warranty**

Logitech warrants that any hardware product accompanying this documentation shall be free from significant defects in material and workmanship for a period of two (2) years from the date of purchase. Logitech's limited warranty is nontransferable and is limited to the original purchaser. This warranty gives you specific legal rights, and you may also have other rights which vary under local laws.

**Remedies.** Logitech's entire liability and your exclusive remedy for any breach of warranty shall be, at Logitech's option, to: (a) repair or replace the hardware, provided that the hardware is returned to the point of purchase or such other place as Logitech may direct, with a copy of the sales receipt, or (b) refund the price paid. Any replacement hardware will be warranted for the remainder of the original warranty period or thirty (30) days, whichever is longer. These remedies are void if failure of the hardware has resulted from accident, abuse, or misapplication, or any unauthorized repair, modification or disassembly. Upon request from Logitech, you must prove the date of original purchase of the hardware by a dated bill of sale or dated itemized receipt.

**DISCLAIMER OF WARRANTY.** THE WARRANTIES EXPRESSLY SET FORTH IN THIS AGREEMENT REPLACE ALL OTHER WARRANTIES. LOGITECH AND ITS SUPPLIERS EXPRESSLY DISCLAIM ALL OTHER WARRANTIES, INCLUDING, BUT NOT LIMITED TO, THE IMPLIED WARRANTIES OF MERCHANTABILITY AND FITNESS FOR A PARTICULAR PURPOSE AND NONINFRINGEMENT OF THIRD-PARTY RIGHTS WITH RESPECT TO THE HARDWARE. NO LOGITECH DEALER, AGENT, OR EMPLOYEE IS AUTHORIZED TO MAKE ANY MODIFICATION, EXTENSION, OR ADDITION TO THIS WARRANTY. Some jurisdictions do not allow limitations on how long an implied warranty lasts, so the above limitation may not apply to you.

**LIMITATION OF LIABILITY.** IN NO EVENT WILL LOGITECH OR ITS SUPPLIERS BE LIABLE FOR ANY COSTS OF PROCUREMENT OF SUBSTITUTE PRODUCTS OR SERVICES, LOST PROFITS, LOSS OF INFORMATION OR DATA, OR ANY OTHER SPECIAL, INDIRECT, CONSEQUENTIAL, OR INCIDENTAL DAMAGES ARISING IN ANY WAY OUT OF THE SALE OF, USE OF, OR INABILITY TO USE ANY LOGITECH PRODUCT OR SERVICE, EVEN IF LOGITECH HAS BEEN ADVISED OF THE POSSIBILITY OF SUCH DAMAGES. IN NO CASE SHALL LOGITECH'S AND ITS SUPPLIERS' TOTAL LIABILITY EXCEED THE ACTUAL MONEY PAID FOR THE LOGITECH PRODUCT OR SERVICE GIVING RISE TO THE LIABILITY. Some jurisdictions do not allow the exclusion or limitation of incidental or consequential damages, so the above limitation or exclusion may not apply to you. The above limitations will not apply in case of personal injury where and to the extent that applicable law requires such liability.

## CONSIGNES DE SÉCURITÉ IMPORTANTES


**ATTENTION  
RISQUE D'ELECTROCUTION**

- Veuillez lire ces instructions.
- Conservez ces instructions.
- Tenez compte de tous les avertissements.
- Suivez toutes les instructions.
- Débranchez les haut-parleurs de l'ordinateur et de la prise électrique avant de les nettoyer avec un chiffon sec.
- Procédez à l'installation en respectant les instructions du fabricant.
- Placez les haut-parleurs de manière à ce qu'ils soient stables, car toute chute risquerait de les endommager ou de causer des dommages corporels.
- N'utilisez pas les haut-parleurs à proximité d'une source d'eau et ne les mouillez pas.
- Ne bloquez pas les ouvertures des haut-parleurs. N'enfonchez jamais d'objets dans les ouvertures ou les fentes des haut-parleurs du fait du risque d'électrocution ou d'incendie et laissez un espace suffisant autour des haut-parleurs pour assurer une ventilation correcte.
- Ne les installez pas à proximité d'une source de chaleur, telle qu'un radiateur, un poêle ou tout autre appareil produisant de la chaleur (y compris les amplificateurs).
- Ne supprimez pas la fonction de sécurité de la fiche polarisée. Une fiche secteur polarisée possède deux broches dont l'une est plus large que l'autre. La broche la plus large est fournie pour votre sécurité. Si la fiche fournie n'est pas adaptée à votre prise, consultez un électricien pour la remplacer.
- Ne branchez les haut-parleurs que sur la prise de sortie audio de faible niveau de l'ordinateur ou d'un périphérique audio.
- Évitez de marcher sur le cordon d'alimentation ou de le pincer, en particulier au niveau des prises, des socles de prises d'alimentation et du point de sortie de l'appareil.
- N'utilisez que les éléments annexes et les accessoires spécifiés par le fabricant.
- Pour une meilleure protection contre la foudre, débranchez les haut-parleurs de la prise électrique et mettez l'ordinateur hors tension en cas d'orage.
- Débranchez cet appareil si vous ne l'utilisez pas pendant de longues périodes.
- L'appareil doit être réparé dès qu'il a été endommagé (par exemple, au niveau du cordon d'alimentation ou de la prise), ou si un liquide a été renversé sur l'appareil ou si des objets sont tombés dessus, si l'appareil a été exposé à la pluie ou à l'humidité, s'il ne fonctionne pas normalement ou s'il est tombé.
- Les réparations doivent être effectuées par des techniciens qualifiés.
- Les haut-parleurs doivent être déconnectés de l'alimentation secteur en plaçant le commutateur d'alimentation en position fermée et en débranchant leur cordon d'alimentation de la prise secteur.

**ATTENTION:  
POUR REDUIRE LE RISQUE D'ELECTROCUTION,  
N'EXPOSEZ PAS CET APPAREIL A LA PLUIE ET A  
L'HUMIDITE.**

Vous venez d'acheter le système de haut-parleurs multimédia Logitech® Z-680 et nous vous en félicitons. Nous avons travaillé avec acharnement pour respecter les normes strictes de la certification THX® et nous avons intégré les technologies Dolby® Digital et DTS® les plus récentes pour assurer d'excellentes performances audio numériques sur PC, sur consoles de jeux vidéo ou dans un environnement Home cinéma.



Dolby® Digital est la norme universelle en matière de son numérique 5.1. Les lecteurs DVD, les consoles PlayStation®2 ou Xbox™, les supports de télévision par câble numérique, satellite ou HDTV utilisent tous le système Dolby® Digital. Les haut-parleurs Z-680 sont dotés d'un décodeur Dolby® Digital permettant d'obtenir un son numérique 5.1 riche.

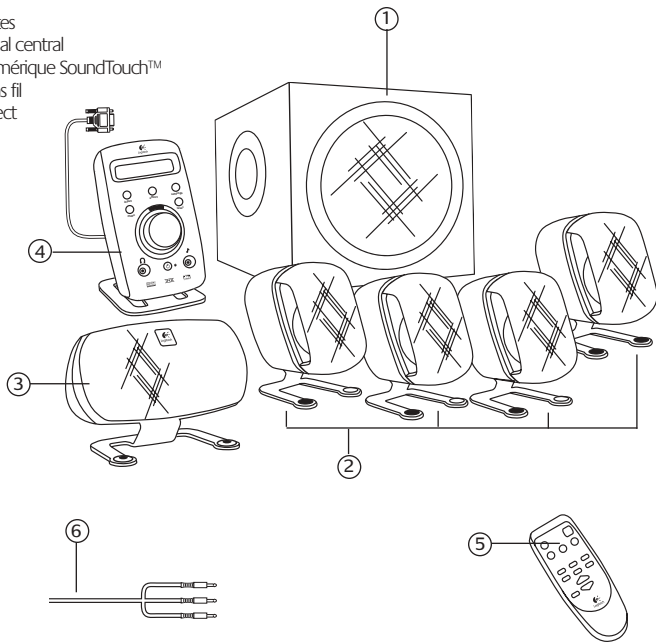
La certification THX® constitue la marque de l'approbation de la qualité des haut-parleurs. Elle garantit la production d'une ambiance sonore comparable à celle d'un système Home cinéma. Le système de haut-parleurs Z-860 est l'un des rares systèmes à répondre aux normes strictes de la qualité sonore THX.

Les systèmes DTS® Digital Surround fournissent un son numérique 5.1 qui égale celui des pistes de qualité originale. Les pistes DTS® sont utilisées avec la plupart des disques vidéo et audio DVD et des jeux PlayStation®2. Le système Z-680 est doté d'un décodeur DTS® pour un son de qualité originale.

Consacrez quelques minutes à la lecture de ce manuel avant d'installer le système Z-680, afin d'optimiser votre expérience audio.

**⚠ Important:** Pour votre propre sécurité, installez le système complet avant de le brancher sur une source d'alimentation électrique.

1. Caisson de basses
2. Haut-parleurs satellites
3. Haut-parleur de canal central
4. Télécommande numérique SoundTouch™
5. Télécommande sans fil
6. Un câble entrée direct 6 canaux



## Installation du système Z-680:

### Haut-parleurs satellites

Avant d'installer les câbles, placez un haut-parleur satellite de chaque côté de l'écran de votre ordinateur ou de votre téléviseur, en conservant entre eux la même distance que celle qui les sépare de vous. Orientez-les face à vous.

Placez les haut-parleurs arrière derrière vous à équidistance des haut-parleurs avant. Vous pouvez les fixer au mur. Pour ce faire, desserrez les vis des socles et faites-les pivoter de 180°. Montez les haut-parleurs en utilisant les points d'ancrage appropriés au niveau des orifices des socles.

Pour un profil audio professionnel, enlevez les grilles de protection en tirant dessus. La suppression des grilles n'a aucune incidence sur la qualité audio.

### Haut-parleur de canal central

Depending on your configuration, place your center channel speaker on your desk (angled up), on top of your monitor or television (angled down), or wall-mounted (angled down). To angle the speaker down for placement on top of your monitor or television, remove the screw, rotate the stand 180 degrees, and reinsert the screw. To wall mount the speaker, remove the screw and mount the stand through the other hole on the bottom of the speaker.

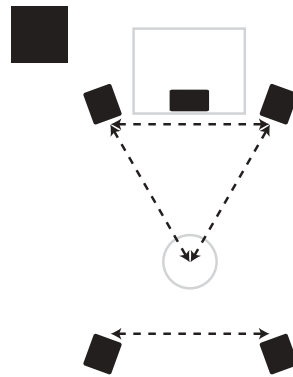
### Caisson de basses

Comme les basses fréquences ne sont pas directionnelles, l'emplacement du caisson de basses par rapport aux autres haut-parleurs n'a pas d'importance. Pour assurer une qualité audio optimale, ne bloquez pas le transducteur ni l'évent des graves. Pour obtenir des basses très puissantes, placez le caisson de basses près d'un mur, dans un coin ou sous un bureau.

Remarque: veillez à assurer la ventilation adéquate du caisson de basses. Laissez une distance d'au moins 7,5 cm entre les ailettes de refroidissement situées à l'arrière du caisson de basses et les autres objets. Pour votre sécurité, le système Z-680 est protégé par un commutateur de surcharge thermique qui provoque l'arrêt du système en cas de surchauffe. Dans de rares cas, lorsque la température ambiante est élevée, l'unité doit être arrêtée. Si cela se produit, éteignez le système et laissez-le refroidir. Augmentez le niveau de ventilation autour du système avant de le remettre sous tension.

### Télécommande numérique SoundTouch™

Placez la télécommande numérique SoundTouch™ de manière à ce qu'elle soit facilement accessible.





### Connexion des haut-parleurs:

Lorsque les haut-parleurs sont en place, connectez-les au caisson de basses. Deux câbles de 6 pouces (15,24 cm) (haut-parleurs satellites avant) et trois câbles de 15 pouces (38,1 cm) (haut-parleurs satellites arrière et central) sont fournis. Si ces câbles ne sont pas assez longs, vous pouvez utiliser d'autres câbles pour haut-parleurs.

**⚠ Important: ne branchez pas le caisson de basses sur le secteur tant que toutes les connexions n'ont pas été effectuées. Des câbles de haut-parleur mal branchés ou raccourcis risquent d'endommager le système.**

Au dos de chaque haut-parleur, dévissez les connecteurs jusqu'à ce que les orifices à travers les montants centraux soient visibles. Insérez le câble dans les orifices et serrez les connecteurs.

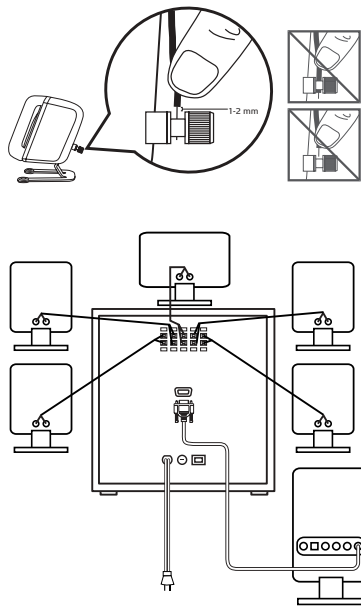
Branchez les fils des haut-parleurs avant de connecter le caisson de basses.

A l'arrière du caisson de basses, appuyez sur le levier de la borne et insérez le câble. Relâchez le levier pour que le câble soit verrouillé en place. Pour éviter toute confusion, connectez les haut-parleurs au caisson de basses un par un. Assurez-vous de brancher les câbles des bornes rouge et noire des haut-parleurs aux bornes correspondantes du caisson de basses. Ce câble possède une rayure blanche qui facilite le maintien de la polarité.

**⚠ Important: pour éviter tout court-circuit dans le système, assurez-vous que les fils exposés ne se touchent pas et qu'aucun fil parasite n'est en contact avec les autres bornes.**

Lorsque les haut-parleurs sont branchés correctement, ils fonctionnent en phase et la qualité audio est optimisée. Si la connexion est défectueuse, le système fonctionnera de manière déphasée. Ce type de fonctionnement n'endommage pas le système, mais la clarté sonore et la puissance des graves seront réduites.

**⚠ Important: utilisez les haut-parleurs satellites Z-680 uniquement avec le caisson de basses Z-680. Ce système n'est pas conçu pour fonctionner avec d'autres haut-parleurs.**



### Connexion de la télécommande numérique SoundTouch™:

Reliez le câble D-sub de la télécommande numérique SoundTouch™ au caisson de basses et serrez les vis à ailettes de chaque côté du connecteur. Le câble du tableau de bord, qui n'est pas extensible, a été conçu spécialement pour le système Z-680.

**⚠ Important: n'utilisez pas une rallonge conçue pour les écrans d'ordinateur. Ce type de rallonge risque d'endommager votre système Z-680.**

### Connexion des sources audio:

Le système de haut-parleurs Z-680 peut être connecté à 4 sources audio simultanément. Ces sources peuvent être connectées selon diverses configurations, en fonction du type de matériel que vous possédez. Les consignes relatives à chaque type de matériel sont indiquées ci-dessous.

Une configuration type se présente comme suit:

- Carte son PC reliée à l'entrée directe 6 canaux
- Console de jeux vidéo reliée au câble optique
- Lecteur DVD relié au câble coaxial
- Lecteur audio portable relié à la prise auxiliaire

**NOTE: Pour employer les crics optiques ou coaxiaux, vous devrez acheter un câble optique ou coaxial séparément. Ce sont aisément disponibles à la plupart des détaillants d'électronique grand public.**

### PCs

#### Connexion numérique

Si votre carte son possède une prise de sortie numérique, vous pouvez l'utiliser pour la connexion avec la télécommande numérique SoundTouch™. Celle-ci prend en charge une connexion optique ou coaxiale. Consultez la documentation de votre carte son pour savoir comment activer sa sortie numérique.

#### Connexion analogique

Utilisez les câbles d'entrée directe 6 canaux pour relier la télécommande numérique SoundTouch™ aux prises analogiques de la carte son. Pour un son optimal, n'utilisez que les câbles requis pour la carte son et ne branchez pas les autres câbles:

Carte son 6 canaux: Branchez les prises orange, noire et verte sur la télécommande numérique SoundTouch™ et sur les prises colorées de la carte son.

- Carte son 4 canaux: Branchez les prises verte et noire sur la télécommande numérique SoundTouch™. Branchez la prise verte sur le connecteur avant de la carte son et la prise noire sur le connecteur arrière de la carte son. N'utilisez pas la prise orange.
- Carte son 2 canaux: Branchez la prise verte sur la télécommande numérique SoundTouch™ et sur le connecteur de sortie audio de la carte son. N'utilisez pas les prises orange et noire.

## Consoles de jeux vidéo

### Connexion numérique (PlayStation® 2 ou Xbox™ uniquement)

Pour un son optimal, utilisez un câble optique pour brancher la console de jeux vidéo sur la prise optique de la télécommande numérique SoundTouch™. Si vous branchez le système Z-680 sur une console Xbox™, vous devez vous procurer un adaptateur (Xbox™ Advanced AV Pack ou Xbox™ High Definition AV Pack) pour établir la connexion.

### Connexion analogique (toutes les consoles)

Le système Z-680 est compatible avec toutes les consoles de jeux qui utilisent des câbles audio RCA rouge et blanc. Si vous souhaitez brancher le système Z-680 sur votre console de jeux vidéo via une connexion analogique, vous devez vous procurer un adaptateur permettant de brancher les câbles audio rouge et blanc de la console sur la prise d'entrée analogique verte de la télécommande numérique SoundTouch™. Avec ce type de connexion, le signal audio est acheminé uniquement vers les haut-parleurs avant gauche et droit.

## Lecteur audio/vidéo

### DVD ou CD

Branchez votre lecteur DVD ou CD sur la télécommande numérique SoundTouch™ en utilisant une connexion numérique appropriée à votre lecteur.

### Lecteur audio portable

Pour utiliser un lecteur audio portable (comme un lecteur CD ou MP3 personnel) avec le système Z-680, branchez-le dans la prise d'entrée auxiliaire sur la partie avant de la télécommande numérique SoundTouch™.

## Test des haut-parleurs:

Branchez le cordon d'alimentation sur une prise murale et appuyez sur le commutateur d'alimentation générale, situé à l'arrière du caisson de basses.

Pour activer la fonction test des haut-parleurs, appuyez sur le bouton Test de la télécommande. Une tonalité test parcourt chaque haut-parleur. En situation d'écoute normale, utilisez les boutons Sub, Center ou Surround +/- pour régler les haut-parleurs à votre convenance. Pour un son optimal, chaque haut-parleur doit lire la tonalité test au même niveau sonore.

## Utilisation des haut-parleurs Logitech Z-680

La télécommande numérique SoundTouch™ permet d'accéder facilement aux nombreuses fonctions du système Z-680, qui sont également accessibles depuis l'autre télécommande.

### ① Écran à cristaux liquides

L'écran à cristaux liquides permet de configurer votre environnement d'écoute. Lorsque l'écran est inactif, il indique l'entrée et l'effet que vous écoutez.

### ② Entrée (Input)

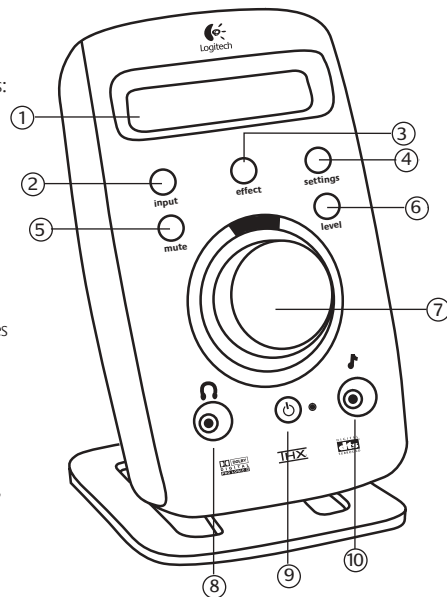
Utilisez le bouton d'entrée pour choisir la source audio. Appuyer sur le bouton fera un cycle par chacune des trois entrées de source: optique, coaxial et (6-channel) direct.

### ③ Effet (Effect)

Le bouton Effect permet de sélectionner des effets musicaux pour améliorer l'écoute. Le système Z-680 prend en charge les effets suivants:

- Dolby® Digital
- DTS®
- MPEG
- Dolby® Pro Logic II Movie
- Dolby® Pro Logic II Music
- Entrée directe 6 canaux
- Stéréo x2
- Stéréo

Pour certains types de sources d'entrée, notamment les sources audionumériques 6 canaux, telles que Dolby® Digital, DTS® et MPEG multicanal, l'effet est sélectionné automatiquement et ne peut pas être modifié. Toutefois, pour la plupart des sources 2 canaux, vous pouvez choisir un effet. Utilisez le bouton Effect pour parcourir les différentes possibilités: Dolby® Pro Logic II Movie, Dolby® Pro Logic II Music, entrée directe 6 canaux, stéréo x2 et stéréo. Notez que la liste des effets disponibles dépend de la source d'entrée.



**4 Paramètre (Settings)**

Utilisez ce bouton pour changer les paramètres de certains effets, répertoriés ci-dessous. Appuyez sur le bouton Settings pour parcourir les paramètres disponibles. Tournez le bouton de volume du système pour changer le paramètre affiché. Si vous appuyez sur ce bouton et si l'effet actif ne possède pas de paramètres modifiables, l'écran affiche Aucun paramètre pour cet effet.

Décali surround—Le décali surround permet de régler le décali des haut-parleurs arrière selon leur position.

Dimension (Dolby® Pro Logic II Music uniquement)—Utilisez ce paramètre pour régler le signal vers les haut-parleurs avant ou arrière, afin d'obtenir un meilleur son.

Largeur centrale (Dolby® Pro Logic II Music uniquement)—Ce paramètre améliore l'harmonisation des haut-parleurs central et principal en permettant le réglage du signal de manière à ce qu'il soit perceptible uniquement depuis le haut-parleur central, uniquement depuis les haut-parleurs gauche et droit comme image sonore centrale ou depuis les combinaisons des trois haut-parleurs avant.

Panorama (Dolby® Pro Logic II Music uniquement)—Utilisez ce paramètre pour acheminer le signal avant jusqu'aux haut-parleurs surround pour un effet de bouclage.

**5 Coupure du son (Mute)**

Appuyez sur ce bouton pour couper le son du système. L'écran affiche Mute on.

**6 Niveau (Level)**

Cette fonction permet de régler le volume des niveaux suivants: caisson de basses, surround, haut-parleur central et volume. Appuyez sur le bouton Level pour parcourir les options et utilisez le bouton de volume du système pour régler les niveaux à votre convenance.

**7 Volume du système**

Lorsque ce bouton est inactivé, il est utilisé pour régler le volume. Ce bouton sert également à régler d'autres fonctions, telles que les paramètres et les niveaux.

**8 Prise pour casque**

Pour brancher un casque sur le système Z-680, utilisez cette prise. Le son des haut-parleurs est automatiquement coupé pour une écoute en privé. Réglez le volume du casque avec le bouton de volume du système.

**9 Alimentation/veille**

Utilisez ce bouton pour mettre le système sous tension ou en veille. Le témoin est bleu lorsque le système est sous tension et rouge lorsque le système est en veille. En mode de veille, le système continue de consommer un peu d'énergie. Pour mettre le système complètement hors tension, débranchez le câble de la prise murale.

**10 Prise auxiliaire**

Pour utiliser le lecteur audio portable avec le système Z-680, branchez-le dans cette prise. Remarque: la télécommande numérique SoundTouch™ confond l'entrée auxiliaire et l'entrée du courant.

**Spécifications techniques**

- Puissance RMS totale: 505 watts
  - Subwoofer: 188 watts RMS en 8 ohms à 100 Hz et 10% de distorsion harmonique totale (THD)
  - Haut-parleurs satellites: 317 watts RMS (2 x 62 w avant; 2 x 62 w arrière; 69 w centre) en 8 ohms à 1 kHz et 10% de distorsion harmonique totale (THD)
- Puissance de crête totale: 140 watts à < 10 % THD
- Niveau de pression sonore du système (SPL): >115 dB
- Réponse en fréquence acoustique du système: de 35 Hz à 20 KHz
- Distorsion du système: supérieure à 0,11% de distorsion harmonique totale (THD) avant l'écrêtage

**Garantie limitée**

Logitech certifie que les produits matériels correspondant à cette documentation sont exempts de tout défaut de fabrication et sont garantis pendant une période de deux (2) ans à compter de la date d'achat. La garantie Logitech est limitée à l'acheteur initial et ne peut faire l'objet d'un transfert. La présente garantie vous confère des droits légaux spécifiques, dont certains peuvent varier d'un pays à un autre.

Recours. En cas de rupture de garantie, l'intégralité de la responsabilité de Logitech et votre recours exclusif consisteront, à la discrétion de Logitech, à: (a) réparer ou remplacer le matériel, sous réserve qu'il soit renvoyé au point de vente ou à tout autre lieu indiqué par Logitech, accompagné d'une copie du justificatif d'achat, ou (b) rembourser le prix d'achat. Tout matériel remplacé sera garanti jusqu'à échéance de la garantie d'origine ou pour une durée de trente (30) jours, selon la période la plus longue. Ces recours sont nuls si la défaillance du matériel est due à un accident, à un mauvais traitement, à une utilisation inappropriée ou à des réparations, modifications ou démontages non autorisés. A la demande de Logitech, vous devez prouver la date de l'achat original du matériel avec une facture datée de la vente ou un reçu détaillé et daté.

Renonciation de garantie. Les garanties prévues dans cet accord remplacent toutes les autres garanties. Logitech ET SES FOURNISSEURS excluent expressément toutes autres garanties, y compris et sans que cette énumération soit limitative, toutes garanties implicites du caractère adéquat pour la commercialisation ou un usage particulier, ainsi que les garanties de respect des droits des tiers concernant le MATÉRIEL. Aucun distributeur, agent ou employé de Logitech n'est autorisé à effectuer des modifications, des extensions ou des ajouts dans cette garantie. Certaines juridictions ne reconnaissent pas les limitations de durée des garanties implicites; il est donc possible que la limitation susmentionnée ne s'applique pas à votre cas.

Limites de responsabilité. Logitech ou ses fournisseurs ne sauraient être tenus responsables des coûts d'approvisionnement en produits ou services de remplacement, du manque à gagner, de la perte d'informations ou de données, ou de tout autre dommage particulier, indirect, consécutif ou accessoire découlant de la vente, de l'utilisation ou de l'impossibilité d'utiliser un produit ou un service Logitech, même si Logitech a été informée de l'éventualité de tels dommages. La responsabilité de Logitech ET DE SES FOURNISSEURS ne saurait en aucun cas dépasser le montant déboursé pour l'acquisition du produit ou du SERVICE LOGITECH LUI DONNANT LIEU. Certaines juridictions n'autorisent pas l'exclusion ou la limitation des dommages accessoires ou consécutifs; il est donc possible que la limitation ou l'exclusion susmentionnée ne s'applique pas à votre cas. Les limites susmentionnées ne s'appliqueront pas en cas de préjudice corporel lorsque et dans la mesure où la législation en vigueur prévoit l'existence de cette responsabilité.

## INFORMACIÓN DE SEGURIDAD


**ATENCIÓN**  
**RIESGO DE DESCARGA ELÉCTRICA**

- Lea estas instrucciones.
- Conserve estas instrucciones.
- Haga caso de todas las advertencias.
- Siga todas las instrucciones.
- Desconecte los altavoces del ordenador y de la toma de corriente antes de proceder a su limpieza. Utilice sólo un paño seco.
- Realice la instalación de acuerdo con las instrucciones del fabricante.
- Coloque los altavoces en un lugar seguro para evitar posibles caídas que pudieran ocasionar lesiones físicas o dañar el producto.
- Mantenga los altavoces alejados del agua, no los sumerja en líquidos ni vierta ningún líquido sobre los altavoces.
- No bloquee las aberturas de los altavoces ni introduzca ningún objeto en las ranuras u orificios de ventilación, ya que podrían producirse incendios o descargas eléctricas. Procure siempre que haya suficiente espacio alrededor de los altavoces para garantizar una ventilación adecuada.
- No realice la instalación cerca de fuentes de calor como radiadores, calentadores, estufas u otros aparatos (incluidos amplificadores) que generen calor.
- No anule, bajo ninguna circunstancia, las prestaciones de seguridad del enchufe polarizado. Un enchufe polarizado tiene dos clavijas, una más ancha que la otra. La clavija ancha representa su seguridad. Si el enchufe suministrado no encaja en la toma de corriente, encargue a un electricista la sustitución de la toma de corriente antigua.
- Utilice los altavoces conectándolos exclusivamente a la salida de audio de bajo nivel del ordenador o de un dispositivo de audio.
- Evite que el cable de alimentación quede expuesto a pisadas o quede excesivamente doblado especialmente cerca de la clavija, puntos de conexión y el punto desde el que sale del dispositivo.
- Utilice únicamente adaptadores o accesorios específicamente recomendados por el fabricante.
- Como medida de seguridad durante tormentas con relámpagos, desenchufe los altavoces de la toma de corriente y apague el ordenador.
- Desenchufe este dispositivo si no va a utilizarlo durante periodos de tiempo prolongados.
- El dispositivo requerirá servicio técnico en aquellos casos en los que haya sufrido algún desperfecto, como daños en el cable o en la clavija de alimentación, entrada en contacto con líquidos o introducción de objetos en el interior del dispositivo, exposición a lluvia o humedad excesiva, funcionamiento incorrecto o golpes o caídas.
- Solicite la realización de cualquier operación de mantenimiento y reparación a personal técnico cualificado.
- Los altavoces deben desconectarse de la toma de corriente mediante la colocación del conmutador Master Power del subwoofer en la posición off y la desconexión del cable de alimentación de los altavoces de la toma de CA.

**ADVERTENCIA:**  
**PARA REDUCIR AL MÍNIMO EL RIESGO DE**  
**DESCARGAS ELÉCTRICAS, NO EXPONGA ESTE**  
**DISPOSITIVO A LLUVIA O HUMEDAD.**

Gracias por la compra del sistema de altavoces multimedia Logitech® Z-680. Nos hemos esforzado al máximo para cumplir con la rígida norma THX® y hemos incluido las tecnologías Dolby® Digital y DTS® más recientes para proporcionarle una experiencia de audio digital superior para sus necesidades de PC, juegos y cine en casa.



Dolby® Digital es el estándar universal para sonido digital 5.1. Dolby® Digital se utiliza en DVD, PlayStation®2, Xbox™, TV digital por cable o satélite y HDTV. El sistema Z-680 incluye un descodificador Dolby® Digital por hardware para ofrecer un sonido digital 5.1 pleno y detallado.



La certificación THX representa el "sello de garantía" de la calidad de un sistema de altavoces. Representa la seguridad absoluta de que estos altavoces reproducen la misma experiencia sonora que se puede disfrutar en una sala de cine. El sistema de altavoces Z-680 es uno de los pocos que cumple con la rígida norma THX y que ofrece un sonido con calidad THX incomparable.

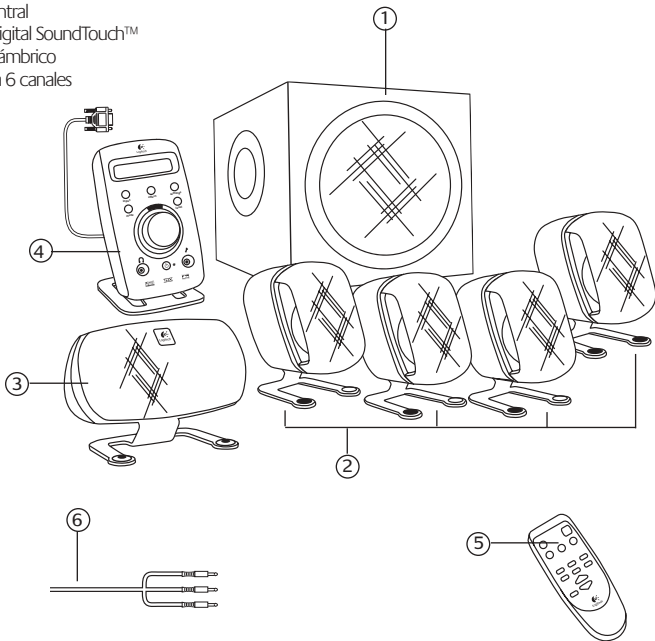


El sonido envolvente digital DTS® ofrece un sonido digital 5.1 equiparable al de las copias maestras de las bandas sonoras. Las bandas sonoras DTS® se encuentran en numerosas películas en DVD, discos de audio DVD y juegos para PlayStation®2. El sistema Z-680 incluye un descodificador DTS® por hardware para ofrecer un sonido con calidad de copia maestra.

Dedique unos minutos a leer este manual antes de iniciar la instalación del sistema Z-680. Le ayudará a optimizar la experiencia de la audición.

## **⚠ Importante:** Por su propia seguridad, conecte los diversos componentes del sistema antes de conectarlo a una fuente de alimentación.

1. Subwoofer
2. Altavoces satélite
3. Altavoz de canal central
4. Centro de control digital SoundTouch™
5. Control remoto inalámbrico
6. El cable directa para 6 canales



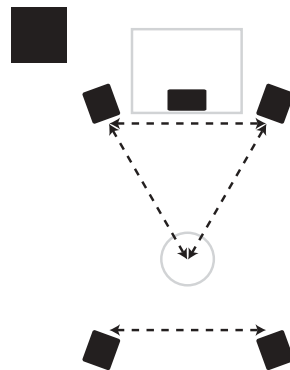
## Instalación del sistema Z-680:

### Altavoces satélite

Antes de conectar los cables, coloque dos altavoces satélite uno a cada lado del monitor del ordenador o televisor y, aproximadamente, a la misma distancia entre ellos que respecto al oyente. Oriéntelos para que queden dirigidos al oyente.

Coloque los altavoces posteriores detrás del oyente y a la misma distancia entre ellos que los altavoces frontales. Puede montarlos en la pared. En este caso, afloje los tornillos de las bases y gire éstas 180 grados. Monte los altavoces con los tornillos adecuados a través de los agujeros de la base.

Para obtener un aspecto profesional, quite las rejillas de tejido tirando de ellas. Esta acción no afectará a la calidad del sonido.



### Canal central

Según la configuración, coloque el altavoz de canal central en el escritorio (orientado hacia arriba), encima del monitor o el televisor (orientado hacia abajo) o móntelo en la pared (orientado hacia abajo). Para orientar el altavoz hacia abajo para colocarlo encima del monitor o televisor, retire el tornillo, gire la base 180 grados y vuelva a introducir el tornillo. Para montar el altavoz en la pared, retire el tornillo y monte la base utilizando el otro agujero situado en la parte inferior del altavoz.

### Subwoofer

Debido a que las frecuencias de los graves no son direccionales, puede colocar el subwoofer en cualquier sitio en relación con los otros altavoces. Para obtener una calidad de sonido óptima, no bloquee el transductor o el puerto de graves. Para obtener los graves más potentes, coloque el subwoofer cerca de una pared, en una esquina o debajo de una mesa.

Nota: asegúrese de que existe ventilación suficiente alrededor del subwoofer. Deje un espacio de al menos ocho centímetros entre las aletas de refrigeración de la parte posterior del subwoofer y cualquier otro objeto. Por su propia seguridad, el sistema Z-680 está protegido por un conmutador de sobrecarga térmica, que apagará el sistema en caso de que se sobrecaliente. En muy raras circunstancias, en las que la temperatura ambiente sea excesivamente elevada, el sistema podría apagarse. En caso de que ocurra, apague el sistema y espere a que se enfríe. Antes de volver a encenderlo, aumente la ventilación alrededor del sistema.

### Centro de control digital SoundTouch™

Coloque el centro de control digital SoundTouch™ de manera que se tenga fácil acceso a él.

### Conexión de los altavoces

Una vez colocados los altavoces, conéctelos al subwoofer. Se incluyen dos cables de altavoz de 1,8 metros (para altavoces satélite frontales) y tres de 4,5 (para altavoces satélite centrale y posteriores). Si desea colocar los altavoces a una distancia mayor, puede utilizar cables de altavoces disponibles en el mercado.

**⚡ Importante:** no conecte el subwoofer a la alimentación CA hasta que haya realizado todas las conexiones previas. Los cables de altavoz acoplados o no conectados correctamente pueden dañar el sistema.

En la parte posterior de cada altavoz, afloje los terminales de conexión hasta que vea los agujeros a través de los bornes centrales. Introduzca el cable a través de los agujeros y apriete los conectores.

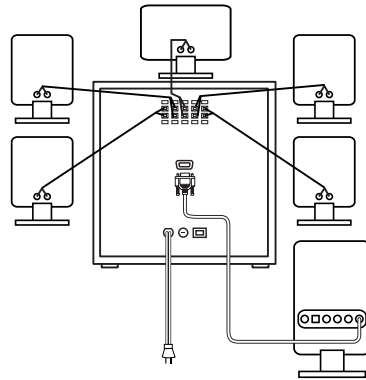
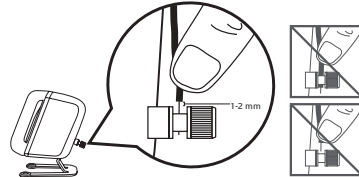
Conecte el extremo del cable de cada altavoz antes de conectar el extremo correspondiente al subwoofer.

En la parte posterior del subwoofer, ejerza presión en la palanca del terminal e introduzca el cable. Suelte la palanca para que el cable quede fijado correctamente. Para evitar confusiones de cables, conecte los altavoces al subwoofer de uno en uno. Asegúrese de que conecta los cables de los terminales rojo y negro de los altavoces a los terminales rojo y negro del subwoofer. El cable tiene una línea blanca que ayuda a mantener la polaridad apropiada.

**⚡ Importante:** para evitar que se produzca un cortocircuito, asegúrese de que no quedan cables pelados en contacto entre sí o con los terminales de los otros cables.

Si los cables están conectados correctamente, los altavoces funcionarán "en fase" y obtendrá una calidad de sonido optimizada. Si no se realiza correctamente la conexión, el sistema funcionará "fuera de fase". Si bien no se ocasionará ningún daño al sistema, el sonido tendrá menos claridad y los graves disminuirán.

**⚡ Importante:** utilice los altavoces satélite Z-680 sólo con el subwoofer Z-680. El sistema no se ha diseñado para usarse en conjunción con otros altavoces.



### Conexión del centro de control digital SoundTouch™

Conecte el cable D-Sub del centro de control digital SoundTouch™ al subwoofer y apriete los tornillos manuales situados a cada extremo del conector. El cable para el centro de control está diseñado especialmente para el sistema Z-680 y no puede alargarse.

**⚡ Importante:** no utilice un cable de extensión diseñado para monitores de ordenador. Los cables de monitores de ordenador pueden dañar el sistema Z-680.

### Conexión de las fuentes de audio

El sistema de altavoces Z-680 puede conectarse hasta a 4 fuentes de audio diferentes al mismo tiempo. Estas fuentes pueden conectarse con configuraciones distintas, según el tipo de equipo que tenga. Más abajo se ofrecen instrucciones para cada tipo de equipo.

Una configuración común es:

- Tarjeta de sonido de PC a entrada directa para 6 canales
- Consola de videojuegos a conector óptico
- Reproductor de DVD a conector coaxial
- Audio portátil a conector auxiliar

**NOTA:** Para utilizar los gatos ópticos o coaxiales, usted necesitará comprar un cable óptico o coaxial por separado. Éstos se encuentran fácilmente disponibles en la mayoría de las tiendas de electrónica al consumidor.

### PCs

#### Conexión digital

Si la tarjeta de sonido de salida digital, puede utilizarlo para conectar al centro de control digital SoundTouch™. El centro de control admite una conexión óptica o coaxial. Compruebe la documentación de la tarjeta de sonido para más instrucciones sobre cómo activar la salida digital de la tarjeta de sonido.

#### Conexión analógica

Utilice los cables de entrada directa para 6 canales para conectar el centro de control digital SoundTouch™ a los conectores analógicos de la tarjeta de sonido. Para obtener un sonido óptimo, conecte sólo los cables necesarios para la tarjeta de sonido y deje los dos extremos de los cables sin conectar:

- Tarjeta de sonido de 6 canales: conecte los conectores naranja, negro y verde al centro de control digital SoundTouch™ y a los conectores del color correspondiente de la tarjeta de sonido.
- Tarjeta de sonido de 4 canales: Conecte los conectores verde y negro al centro de control digital SoundTouch™. conecte el conector verde al conector frontal de la tarjeta de sonido y el conector negro al conector posterior de la tarjeta de sonido. Deje el conector naranja sin conectar en ambos extremos.
- Tarjeta de sonido de 2 canales: conecte el conector verde al centro de control digital SoundTouch™ y al conector de "salida de línea" de la tarjeta de sonido. Deje los conectores naranja y negro sin conectar en ambos extremos.

## Consolas de videojuegos

### Conexión digital (sólo PlayStation® 2 o Xbox™)

Para obtener un sonido óptimo, utilice un cable óptico para conectar la consola de videojuegos al conector óptico del centro de control digital SoundTouch™. Si conecta el sistema Z-680 a Xbox™, deberá adquirir un adaptador (Xbox™ Advanced AV Pack o Xbox™ High Definition AV Pack) para realizar la conexión.

### Conexión analógica (todas las consolas)

El sistema Z-680 es compatible con todas las consolas de videojuegos que utilizan cables de audio RCA rojos y blancos. Si desea conectar el sistema Z-680 a la consola de videojuegos mediante una conexión analógica, deberá adquirir un adaptador que conecte los cables de audio rojo y blanco de la consola al conector de entrada analógica verde del centro de control digital SoundTouch™. Con este tipo de conexión, la señal de audio se dirigirá sólo a los altavoces frontales izquierdo y derecho.

## Reproductor de audio/vídeo

### DVD o CD

Conecte el reproductor de DVD o CD al centro de control digital SoundTouch™ mediante una conexión digital adecuada al reproductor.

### Reproductor de audio portátil

Para utilizar un reproductor de audio portátil (por ejemplo, un reproductor de CD o MP3) con el sistema Z-680, conéctelo al conector de entrada auxiliar situado en la parte frontal del centro de control digital SoundTouch™.

## Comprobación de los altavoces

Conecte el cable de alimentación a la toma de alimentación y encienda el conmutador principal de encendido situado en la parte posterior del subwoofer.

Acceda a la función de prueba del altavoz pulsando el botón de prueba en el control remoto inalámbrico. Un tono de prueba recorrerá todos los altavoces. En una posición de audición normal, utilice los botones Sub, Center o Surround +/- para ajustar los altavoces a su gusto. Para obtener un sonido óptimo, cada altavoz debería reproducir el tono de prueba con el mismo nivel de volumen.

## Disfrute del sistema de altavoces Z-680 de Logitech:

El centro de control digital SoundTouch™ ofrece fácil acceso a las numerosas funciones del sistema Z-680. También es posible acceder a estas funciones a través del control remoto inalámbrico.

### ① Pantalla LCD

La pantalla LCD permite configurar el entorno de audición. Si está inactiva, la pantalla LCD muestra la entrada y efecto que está escuchando.

### ② Entrada (Input)

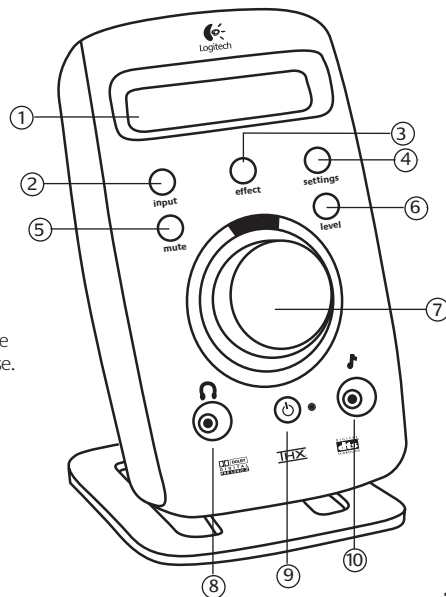
Utilice el botón de entrada para seleccionar la fuente de audio. Al presionar el botón se completará un ciclo en cada una de las tres entradas de la fuente: óptico, coaxial y (6-channel) directo.

### ③ Efecto (Effect)

Este botón permite seleccionar efectos musicales para que disfrute más de la audición. El sistema Z-680 admite los efectos siguientes:

- Dolby® Digital
- DTS®
- MPEG
- Dolby® Pro Logic II Movie
- Dolby® Pro Logic II Music
- 6 Channel Direct
- Stereo x2
- Stereo

Para algunos tipos de fuentes de entrada, incluidas las fuentes de audio digital de 6 canales como Dolby® Digital, DTS® y multicanal MPEG, el efecto se selecciona automáticamente y no puede cambiarse. Sin embargo, para la mayoría de las fuentes de 2 canales, puede elegir un efecto deseado. Utilice el botón Effect para recorrer las distintas opciones, entre las que se incluye: Dolby® Pro Logic II Movie, Dolby® Pro Logic II Music, 6 Channel Direct, Stereo x2 y Stereo. Observe que la lista de efectos disponibles puede ser limitada, según la fuente de entrada.





**4 Configuración (Settings)**

Utilice este botón para cambiar la configuración de ciertos efectos que se muestran a continuación. Pulse el botón Settings para recorrer las configuraciones disponibles. Gire el control de volumen del sistema para cambiar la configuración que se muestra. Si pulsa este botón y el efecto activo no tiene configuraciones que puedan cambiarse, en la pantalla se mostrará este mensaje: “No settings for this effect”.

Surround Delay: la configuración de retraso envolvente permite ajustar el retraso de los altavoces posteriores dependiendo del montaje de los altavoces posteriores.

Dimension (sólo Dolby® Pro Logic II Music): utilice esta configuración para ajustar la señal hacia los altavoces frontales o posteriores para obtener un mejor sonido.

Center Width (sólo Dolby® Pro Logic II Music): esta configuración permite una combinación mejorada de los altavoces central y principales, permite el ajuste de la señal para que se oiga sólo desde el altavoz central, sólo desde los altavoces izquierdo y derecho como una imagen central tipo fantasma o desde una combinación de los tres altavoces frontales.

Panorama (sólo Dolby® Pro Logic II Music): utilice esta configuración para ampliar la señal frontal a los altavoces envolventes para conseguir un “efecto más envolvente”.

**5 Silencio (Mute)**

Pulse este botón para silenciar el volumen del sistema. En la pantalla LCD aparecerá “Mute on”.

**6 Nivel (Level)**

Con esta función podrá ajustar los siguientes niveles: subwoofer, envolvente, central y volumen del sistema. Pulse el botón Level para desplazarse por las opciones y utilice el control de volumen del sistema para ajustar los niveles según desee.

**7 Volumen del sistema**

Si está inactivo, este control se utiliza para ajusta el volumen del sistema. También se utiliza para ajustar otras funciones, como configuraciones y niveles.

**8 Toma de auriculares**

Para utilizar auriculares con el sistema Z-680, conéctelos a esta toma. Los altavoces se silenciarán automáticamente, para uso privado. Controle el volumen de auriculares con el control de volumen del sistema.

**9 Encendido/modo de espera**

Utilice este botón para encender el sistema o para ponerlo en modo de espera. El diodo adyacente es azul cuando el sistema está encendido y rojo cuando se encuentra en modo de espera. En modo de espera, el sistema también consume una pequeña cantidad de energía. Para desconectar completamente el sistema de la fuente de alimentación, desconecte el cable de alimentación de la toma de pared.

**10 Conector auxiliar**

Para utilizar un reproductor de audio portátil con el sistema Z-680, conéctelo a este conector. Nota: el centro de control digital SoundTouch™ mezcla la entrada auxiliar con la entrada actual.

**Especificaciones técnicas**

- Potencia RMS total: 505 vatios
  - Subwoofer: 188 vatios reales (RMS) en 8 ohmios a 100 Hz con una distorsión armónica total del 10%
  - Altavoces satélite: 317 vatios RMS (2 x 62 w frontales; 2 x 62 w posteriores; 16.3 w central) en 4 ohmios a 1 kHz con una distorsión armónica total del 10%
- Potencia de cresta total: 1000 vatios a < 10% de distorsión armónica total
- Nivel de presión de sonido del sistema (SPL): >115 dB
- Respuesta de frecuencia acústica del sistema: 35 Hz a 20 KHz
- Distorsión del sistema: mejor que distorsión armónica total del 0,11% (THD) antes de producirse clipping

**Garantía limitada**

Logitech garantiza la ausencia de anomalías importantes en lo referente a los materiales y fabricación de todos los productos de hardware suministrados con este documento durante un periodo de dos (2) años a partir de la fecha de adquisición del producto. La garantía limitada de Logitech es intransferible y protege exclusivamente al comprador original. Esta garantía otorga al usuario derechos legales específicos; puede que posea otros derechos que variarán de acuerdo con la legislación local.

Indemnización. La responsabilidad total de Logitech y la única indemnización a la que el usuario tendrá derecho en caso de incumplimiento de la garantía consistirá, a discreción de Logitech, en: (a) la reparación o sustitución del hardware, siempre y cuando éste se devuelva al punto de venta, o cualquier otro lugar que Logitech indique, junto con una copia del recibo de compra o (b) el reembolso del importe abonado. Los productos de hardware suministrados para reemplazar al producto original tendrán una garantía equivalente al periodo restante de la garantía original o a un periodo de treinta (30) días, prevaleciendo el periodo más largo. Estas disposiciones carecen de validez en aquellos casos en los que el hardware haya resultado dañado como consecuencia de un accidente o el uso indebido o incorrecto del producto, o a reparaciones, modificaciones o montajes no autorizados. En caso de que Logitech lo solicitara, deberá demostrar la fecha de compra original del hardware mediante un comprobante de compra fechado o de un recibo detallado y fechado.

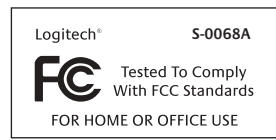
Renuncia de garantía. Las garantías detalladas en el presente contrato sustituyen a todas las demás garantías. Logitech Y SUS PROVEEDORES rechazan expresamente el resto de garantías, incluidas, pero sin limitarse a, las garantías implícitas de comercialización y adecuación para un uso específico, y la garantía de no infracción de los derechos de terceros respecto al HARDWARE. Ningún distribuidor, representante o empleado de Logitech está autorizado a aplicar modificaciones, ampliaciones o adiciones a esta garantía. Dado que en algunas jurisdicciones no se permiten las limitaciones de duración de una garantía, puede que las restricciones expuestas arriba no le sean aplicables.

Limitación de responsabilidad. En ningún caso se podrá considerar a Logitech ni a sus proveedores responsables de ningún coste incurrido durante el abastecimiento o sustitución de productos o servicios, ni por la pérdida de beneficios, información ni datos, ni por ningún otro daño especial, indirecto, resultante o fortuito derivado en cualquier forma de la venta, el uso o la imposibilidad de uso de un producto o servicio de Logitech, incluso cuando se haya notificado a Logitech la posibilidad de tales daños. La responsabilidad de LOGITECH Y SUS PROVEEDORES se limitará, en todos los casos, al importe real abonado por los productos o SERVICIOS EN CUESTIÓN. Dado que en algunas jurisdicciones no se permiten las exclusiones o limitaciones de responsabilidad por daños resultantes o fortuitos, puede que las limitaciones expuestas arriba no le sean aplicables. Así, la limitación anterior carecerá de validez en el caso de lesiones personales, en las que y en la medida en la que la ley vigente exija tal responsabilidad.



Country	Address	Infoline Product Information	Hotline Technical Help
EUROPEAN, MIDDLE EASTERN & AFRICAN HEADQUARTERS LOGITECH Trading S.A.	Moulin-du-Choc CH 1122 Romanel-sur-Morges	+41 (0) 21 863 54 00 English FAX +41 (0) 21 863 54 02	+41 (0) 21 863 54 01 English FAX +41 (0) 21 863 54 02
CORPORATE HEADQUARTERS LOGITECH Inc.	6505 Kaiser Drive USA Fremont, CA 94555	(800) 231-7717	+1 702 269 3457
ASIAN PACIFIC HEADQUARTERS LOGITECH Far East Ltd.	#2 Creation Road IV Science-Based – Industrial Park ROC Hsinchu, Taiwan		+886 (2) 27466601 x2206
AUSTRALIA LOGITECH Australia Computer Peripherals Pty Ltd.	Level 2, 633 Pittwater Road AUS Dee Why NSW 2099, Australia		+61 (02) 9804 6968 +61 (02) 9972 3561
CANADA Sales & Marketing Office	5025 Orbitor Dr., Bldg. 6, Suite 200 CDN Mississauga, ON L4W 4Y5	(800) 231-7717	+1 702 269 3457
JAPAN LOGICOOL Co. Ltd.	Ryoshin Ginza East Mirror Bldg9., 7F 3-15-10 Ginza Chuo-ku, Tokyo, Japan 104-0061		+81 (3) 3543 2122 FAX +81 (3) 3543 2911
ITALIA LOGITECH Italia S.r.l	Centro Direzionale Colleoni Palazzo Andromeda 3 I 20041 Agrate Brianza, MI	+39-02 215 1062	+39-02 214 0871
In LATIN AMERICA AND THE CARIBBEAN	Contact your local authorized distributor, or call our Customer Support Hotline in the USA		+1 702 269 3457

Caution: Changes or modifications not expressly approved by Logitech Inc. could void the user's authority to operate the equipment.



FCC Disclosure:

- Information to the user:  
NOTE: This equipment has been tested and found to comply with the limits for a Class B digital device, pursuant to part 15 of the FCC Rules. These limits are designed to provide reasonable protection against harmful interference in a residential installation. This equipment generates, uses and can radiate radio frequency energy and, if not installed and used in accordance with the instructions, may cause harmful interference to radio communications. However, there is no guarantee that interference will not occur in a particular installation. If this equipment does cause harmful interference to radio or television reception, which can be determined by turning the equipment off and on, the user is encouraged to try to correct the interference by one or more of the following measures:

- (1) Reorient or relocate the receiving antenna.
- (2) Increase the separation between the equipment and receiver.
- (3) Connect the equipment into an outlet on a circuit different from that to which the receiver is connected.
- (4) Consult the dealer or an experienced radio/TV technician for help.



## Declaration of Conformity



9/16/02

### Logitech Inc.

6505 Kaiser Drive  
Fremont, CA 94555-3614  
Phone: (510) 795-8500  
Fax: (510) 792-8901

We declare under our sole responsibility that the following products are in conformity with FCC Part 15, Subpart B, Section 15.107(a) and Section 15.109(a), Class B Digital Device.

**MARKETING NAME: Logitech® Z-680**

MODEL NAME: S-0068A  
Computer Speaker 5.1 System

This device complies with Part 15 of the FCC rules. Operation is subject to the following two conditions:

- This device may not cause harmful interference
- This device must accept any interference received, including interference that may cause undesired operation.

The authorized representative located within the United States of America maintains the technical documentation required by CFR 47 under the FCC Code of Federal Regulations:

Mark C. Ohnstad  
Logitech Inc.  
1499 SE Tech Center Drive, Ste. 350  
Vancouver, WA 98683  
Phone: (360) 896-2000  
Fax: (360) 896-2020

(authorized representative)

Attention: toutes modifications ou tous changements effectués sans l'accord exprès de Logitech Inc. pourraient annuler le droit de l'utilisateur à utiliser son équipement.

Logitech® S-0068A



A essayé se pour conformer aux normes de FCC

POUR L'USAGE DE MAISON OU BUREAU

Déclaration FCC:

- Informations à l'attention de l'utilisateur:  
REMARQUE: cet équipement a été testé et déclaré conforme aux limitations prévues dans le cadre de la catégorie B des appareils numériques défini par la section 15 du règlement de la FCC. Ces limitations sont stipulées aux fins de garantir une protection raisonnable contre les interférences gênantes en installation résidentielle. Cet équipement génère, utilise et diffuse des ondes radio et, s'il n'est pas installé ni utilisé en conformité avec les instructions dont il fait l'objet, peut causer des interférences gênantes avec les communications radio. Nous ne saurions toutefois garantir l'absence d'interférences dans une installation particulière. Si cet équipement produit des interférences graves lors de réceptions radio ou télévisées qui peuvent être détectées en allumant et en éteignant l'équipement, vous êtes invité à les supprimer de plusieurs manières:

- 1) Réorienter ou déplacer l'antenne de réception.
- 2) Augmenter la distance séparant l'équipement et le récepteur.
- 3) Connecter l'équipement à un circuit différent de celui auquel le récepteur est connecté.
- 4) Contacter votre revendeur ou un technicien radio/TV qualifié.



## Declaration of Conformity



16/09/02

### Logitech Inc.

6505 Kaiser Drive  
Fremont, CA 94555-3614, Etats-Unis  
Téléphone: (510) 795-8500  
Fax: (510) 792-8901

Nous déclarons sous notre seule responsabilité que les produits suivants sont conformes au règlement de la FCC Partie 15, Sous-partie B, Section 15.107(a) et Section 15.109(a), Catégorie B des appareils numériques.

#### NOM COMMERCIAL: Logitech® Z-680

NOM DU MODELE: S-0068A  
Système 5.1 de haut-parleurs pour ordinateurs

Ce dispositif a été testé et déclaré conforme à la Partie 15 du règlement de la FCC. Son fonctionnement est soumis aux conditions suivantes:

n Le dispositif concerné ne doit pas causer d'interférences dangereuses  
n Il doit accepter toute interférence reçue, y compris les interférences risquant d'engendrer un fonctionnement indésirable.

Le représentant autorisé aux Etats-Unis d'Amérique gère la documentation technique requise par le CFR47 du code de la FCC des règlements fédéraux:

Mark C. Ohnstad  
Logitech Inc.  
1499 SE Tech Center Drive, Ste. 350  
Vancouver, WA 98683, Canada  
Téléphone: (360) 896-2000  
Fax: (360) 896-2020

(représentant autorisé)

Precaución: La realización de cualquier cambio o modificación no autorizado expresamente por Logitech Inc. podría anular los derechos del usuario para utilizar el equipo.

Logitech® S-0068A



Probó para conformarse con los estándares de FCC

PARA EL USO DE HOGAR U OFICINA

Divulgación FCC:

- Información para el usuario:  
NOTA: Este equipo ha sido sometido a las pruebas pertinentes y cumple con los límites establecidos para un dispositivo digital de la Clase B, según lo establecido en el apartado 15 de las normas de la FCC. Estos límites están destinados a proporcionar protección adecuada ante interferencias perjudiciales en instalaciones domésticas. Este equipo genera, usa y puede emitir energía radioeléctrica. Respete las instrucciones pertinentes durante la instalación y utilización del equipo para evitar la aparición de posibles interferencias de radio. No obstante, no hay garantía de que no vayan a producirse interferencias en una instalación concreta. Si este equipo es el responsable de la presencia de interferencias en la recepción de radio o televisión (lo que puede verificarse apagando y encendiendo el equipo), se aconseja tomar una o varias de las medidas siguientes para intentar eliminar las interferencias:

- 1) Cambie la orientación o la ubicación de la antena receptora.
- 2) Aumente la separación entre el equipo y el receptor.
- 3) Conecte el equipo a una toma de corriente perteneciente a un circuito diferente al que está conectado el receptor.
- 4) Recorra a su distribuidor o a personal técnico especializado en radio y televisión.



## Declaration of Conformity



16/09/02

### Logitech Inc.

6505 Kaiser Drive  
Fremont, CA 94555-3614, EE UU  
Teléfono: (510) 795-8500  
Fax: (510) 792-8901

Declaramos, bajo nuestra exclusiva responsabilidad, que los siguientes productos cumplen con lo especificado en el apartado 15, subapartado B, sección 15.107(a) y sección 15.109(a) de las normativas FCC para dispositivos digitales de Clase B

#### NOMBRE COMERCIAL: Logitech® Z-680

NOMBRE DE MODELO: S-0068A  
Sistema de altavoces 5.1 para ordenador

Este dispositivo cumple todos los requisitos especificados en el apartado 15 de las normativas FCC. El funcionamiento está sujeto a las dos condiciones siguientes:

n Este dispositivo no debe originar interferencias perjudiciales  
n Este dispositivo debe tolerar toda posible interferencia, incluso cuando ésta pudiera ser causa de funcionamiento indebido del dispositivo.

El representante autorizado en EE UU mantiene la documentación técnica requerida en el apartado CFR 47 del Code of Federal Regulations de la FCC:

Mark C. Ohnstad  
Logitech Inc.  
1499 SE Tech Center Place, Suite 350  
Vancouver, WA 98683, EE UU  
Teléfono: (360) 896-2000  
Fax: (360) 896-2020

(representante autorizado)



[www.logitech.com](http://www.logitech.com)

©2002 Logitech. All rights reserved. Logitech, the Logitech logo, and other Logitech marks are owned by Logitech and may be registered. All other trademarks are the property of their respective owners. Logitech assumes no responsibility for any errors that may appear in this manual. Information contained herein is subject to change without notice.

PlayStation is a trademark of Sony Computer Entertainment Inc.

Xbox is a trademark of Microsoft Corporation.

Manufactured under license from Dolby Laboratories. "Dolby", "Pro Logic" and the double-D symbol are trademarks of Dolby Laboratories. This product contains one or more programs protected under International and U.S. copyright laws as unpublished works. They are confidential and proprietary property to Dolby Laboratories. Their reproduction or disclosure, in whole or in part, or the production of derivative works therefrom without the express permission of Dolby Laboratories is prohibited. Copyright 1992-1997 by Dolby Laboratories, Inc. All Rights Reserved.

"DTS" and "DTS Digital Surround" are trademarks of Digital Theatre Systems, Inc. Manufactured under license from Digital Theater Systems, Inc.

THX and Lucasfilm THX logo are trademarks of Lucasfilm LTD.

© 2002 Logitech. Tous droits réservés. Logitech, le logo Logitech et les autres marques Logitech sont la propriété exclusive de Logitech et sont susceptibles d'être des marques déposées. Toutes les autres marques sont la propriété de leurs détenteurs respectifs. Logitech décline toute responsabilité en cas d'erreurs dans ce manuel. Les informations énoncées dans le présent document peuvent faire l'objet de modifications sans avis préalable.

PlayStation est une marque déposée de Sony Computer Entertainment Inc.

Xbox est une marque de Microsoft Corporation.

Fabriqué sous licence par Dolby Laboratories. Dolby, Pro Logic et le symbole double-D sont des marques de Dolby Laboratories. Ce produit contient un ou plusieurs programmes protégés par les lois américaines et internationales sur le copyright comme œuvres non publiées. Ils sont confidentiels et sont la propriété exclusive de Dolby Laboratories. Leur reproduction ou divulgation, totale ou partielle, ou la production d'œuvres s'en inspirant sans l'autorisation expresse de Dolby Laboratories est interdite. Copyright 1992-1997 Dolby Laboratories, Inc. Tous droits réservés.

DTS et DTS Digital Surround sont des marques déposées de Digital Theatre Systems, Inc. Fabriqué sous licence par Digital Theater Systems, Inc.

THX et le symbole Lucasfilm THX sont des marques de Lucasfilm LTD.

© 2002 Logitech. Reservados todos los derechos. Logitech, el logotipo de Logitech y las demás marcas de Logitech pertenecen a Logitech y pueden estar registradas. Las demás marcas comerciales pertenecen a sus respectivos propietarios. Logitech no asume ninguna responsabilidad por la presencia de posibles errores en el presente manual. La información aquí contenida está sujeta a posibles cambios sin previo aviso.

PlayStation es una marca registrada de Sony Computer Entertainment Inc.

Xbox es una marca comercial de Microsoft Corporation.

Fabricado bajo licencia de Dolby Laboratories. "Dolby", "Pro Logic" y el símbolo de la doble D son marcas comerciales de Dolby Laboratories. Este producto contiene uno o más programas protegidos por leyes de propiedad intelectual internacionales y estadounidenses como trabajos no publicados. Son confidenciales y propiedad de Dolby Laboratories. Se prohíbe su reproducción o divulgación, de forma total o parcial, así como la creación de trabajos derivados de los mismos sin la autorización expresa de Dolby Laboratories. Copyright 1992-1997 Dolby Laboratories, Inc. Reservados todos los derechos.

"DTS" y "DTS Digital Surround" son marcas registradas de Digital Theatre Systems, Inc. Fabricado bajo licencia de Digital Theater Systems, Inc.

THX y el símbolo Lucasfilm THX son marcas comerciales de Lucasfilm LTD.