

## Installing the SLS 500I Shelf onto a cart with Rigid Accessory Mounting Rails

NOTE: The figures in this procedure depict an installation of the SLS 500i shelf on the right side of a Artromick medical cart unless otherwise noted.

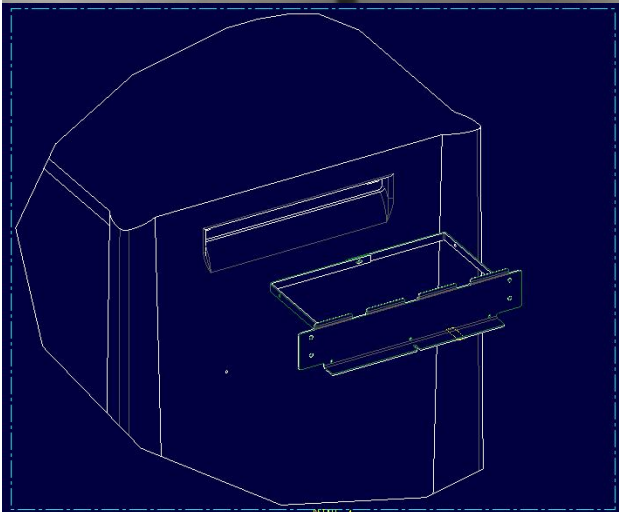
1. Remove the Accessory Slot Cover or Writing Surface from the Artromick Medical Cart. The SLS Shelf is compatible on either side of the cart, this section assumes the right side of the cart.



2. Remove the top drawer from its rails to gain access to the inside of the cart. This will require the drawer below to be partially opened for the sake of working space.



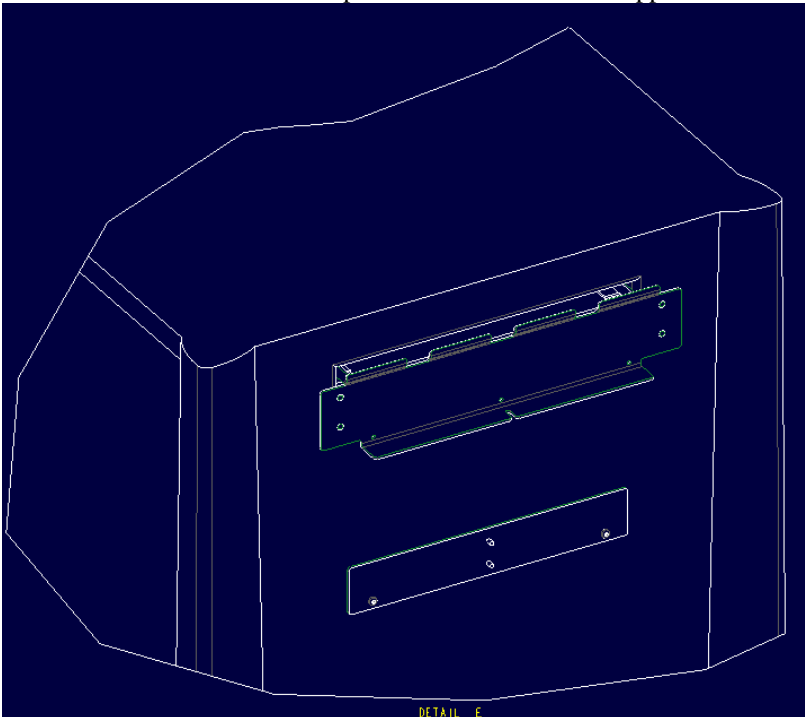
3. Slide the upper rail into the Artromick Cart's accessory slot until the upper rail is adjacent to the Artromick Cart Skin. Note the position of the two set screws located on the bare metal brackets, and adjust the two set screws if they are stopping the upper rail from sliding into place.



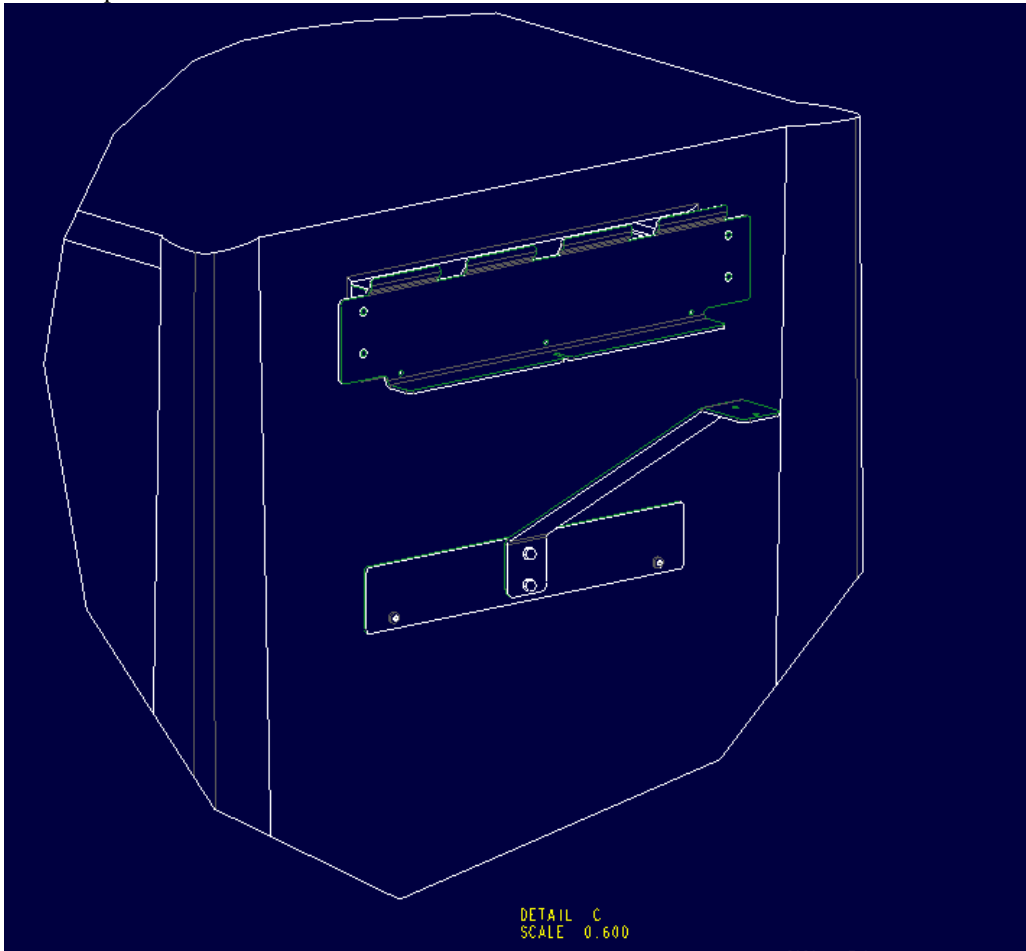
4. With a 3/32" Hex Socket driver, torque the previously removed set screws back into place to the depth shown in the figure. The bare metal bent metal brackets will bow when installing the set screws.



5. Install the lower brace into place as shown with two supplied 6-32 Philips head screws.



6. Place the Support Bracket on the Lower Brace as shown and secure in place with the two acorn nuts provided.



7. Remove the acorn nut from the bottom of the shelf that is closest to the side where the shelf frame mounts to the shelf rail, as shown in the following figure. (IMAGE FROM PREV. GUIDE)



8. Remove the two acorn nuts that are located on the bottom of the drawer and set these aside to be used in step 12.

9. Slide the shelf onto the shelf rail. This is done by tilting the shelf into the slots on the shelf rail (as shown in the first figure below) and then pushing down on the shelf until it clicks into place (as shown in the second figure below). (IMAGES FROM PREV. GUIDE)



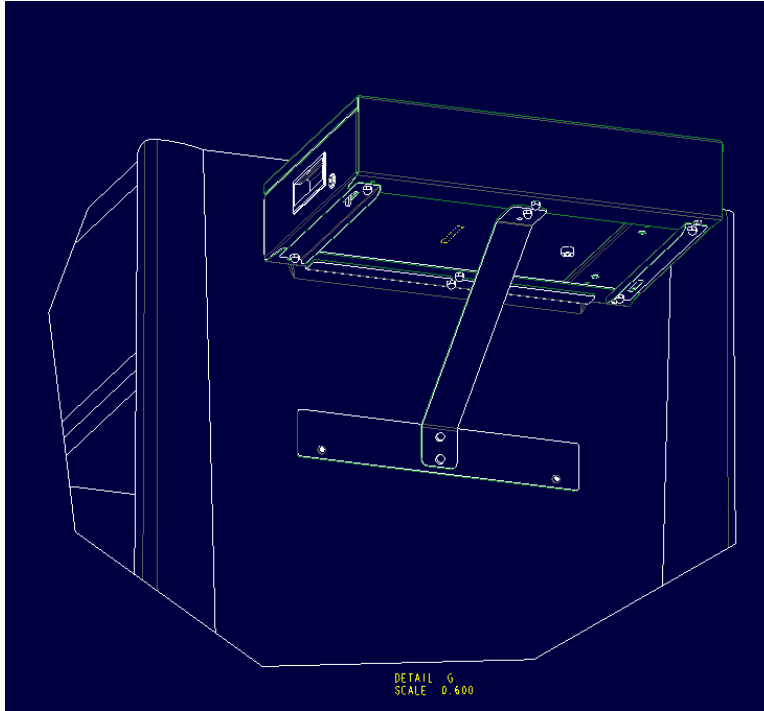
10. Make sure that the shelf is still level right-to-left with the SLS 500i on it. If necessary, remove the drawer and use the three set screws on the shelf rail to readjust the level of the shelf. (IMAGE FROM PREV. GUIDE) (NEW PICTURE?)

11. Install the acorn nut that was removed in step 9 back onto the bottom of the shelf, and tighten the acorn nut using a 5/16-in. nut driver, as shown in the following

figure. (IMAGE FROM PREV. GUIDE)



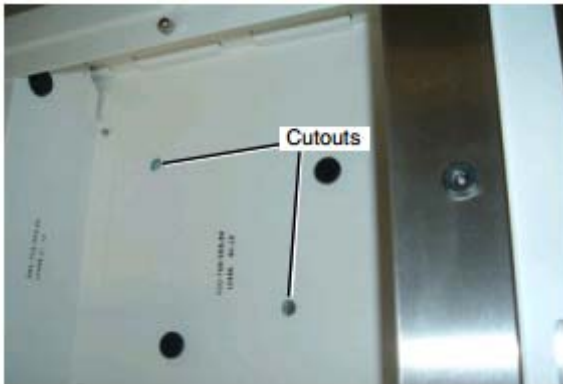
12. Reinstall one of the acorn nuts onto the bottom of the drawer to secure the support bracket.



- 13.

14. Place the SLS500i onto the shelf.
15. Make sure that the shelf is still level right-to-left with the SLS 500i on it. If necessary, remove the SLS 500i and use the three set screws on the shelf rail to adjust the level of the shelf.
16. Open the shelf drawer and look up from the bottom of the shelf frame.

Adjust the position of the SLS 500i until you see two threaded holes on the bottom of the SLS 500i aligned with the two cutouts in the shelf frame, shown in the following figure.



A close up of one of the SLS 500i threaded holes as seen through the cutout in the shelf frame is shown in the following figure.



17. Insert two thumbscrews into the threaded holes and tighten them so that the SLS 500i is mounted on the shelf.