



INSTRUCTION MANUAL

**MIDSIZE VEHICLES OR
PICKUP TOPPERS & CAPS**

J3000 (A287)

J4000 (A285)

MIDSIZE VEHICLES




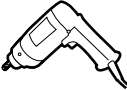

PART #	BARS	RAILS	
J4002	50"	72"	[]
J4004	50"	96"	[]
J4006	50"	120"	[]
J4015	60"	72"	[]
J4020	60"	96"	[]
J4025	60"	120"	[]
J4030	72"	72"	[]
J4035	72"	96"	[]
J4040	72"	120"	[]
J3104	65"	72"	[] ANGLED
J3102	65"	96"	[] ANGLED
J3103	65"	120"	[] ANGLED

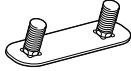

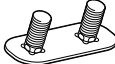
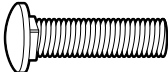
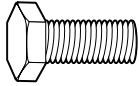
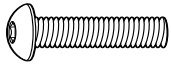
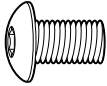
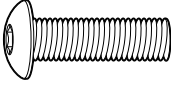

PICKUP TOPPER & CAP

PART #	BARS	RAILS	
J4050	60"	72"	[]
J4052	60"	96"	[]
J4054	60"	120"	[]
J4056	72"	72"	[]
J4058	72"	96"	[]
J4060	72"	120"	[]

BLACK []
WHITE []
SILVER []












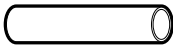


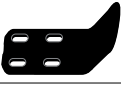
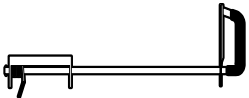
Required Tools

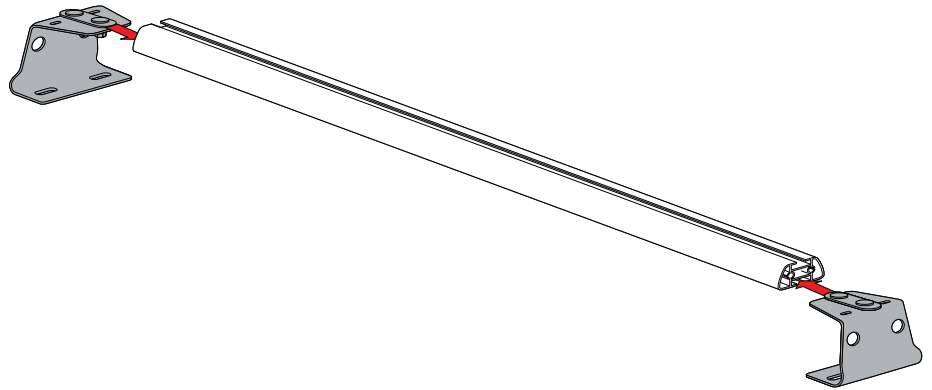
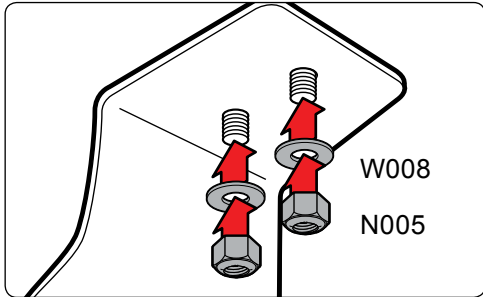
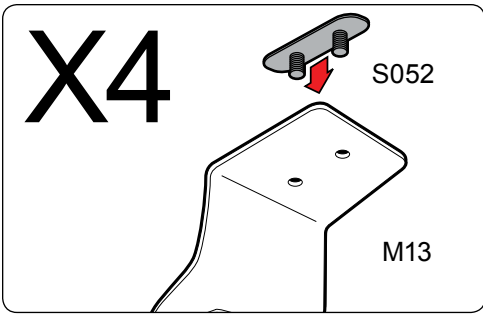
Power Tool w/ 5/16" Drill Bit 	Marker 	1/2" Wrench 
	Allen Key 	

PART #	DESCRIPTION	J3000	J4000	ITEM <small>Items not drawn to scale</small>
S052	5/16" X 3/4" DOUBLE SLIDER (2" B-B)	6	6	
S053	5/16" X 3/4" DOUBLE SLIDER (3" B-B)	4	4	
S062	5/16" X 3/4" DOUBLE SLIDER (1 3/8" B-B)	2	2	
B016	5/16" X 1 1/4" CARRIAGE BOLT	8	8	
B064	5/16" X 3/4" HEX BOLT	8	8	
SS-B103	1/4" X 1" BUTTON HEAD ALLEN BOLT	8	8	
SS-B115	5/16" X 1/2" BUTTON HEAD ALLEN BOLT	4	4	
SS-B117	5/16" X 1" BUTTON HEAD ALLEN BOLT	8	8	
SS-B201	TAP SCREW	16	16	

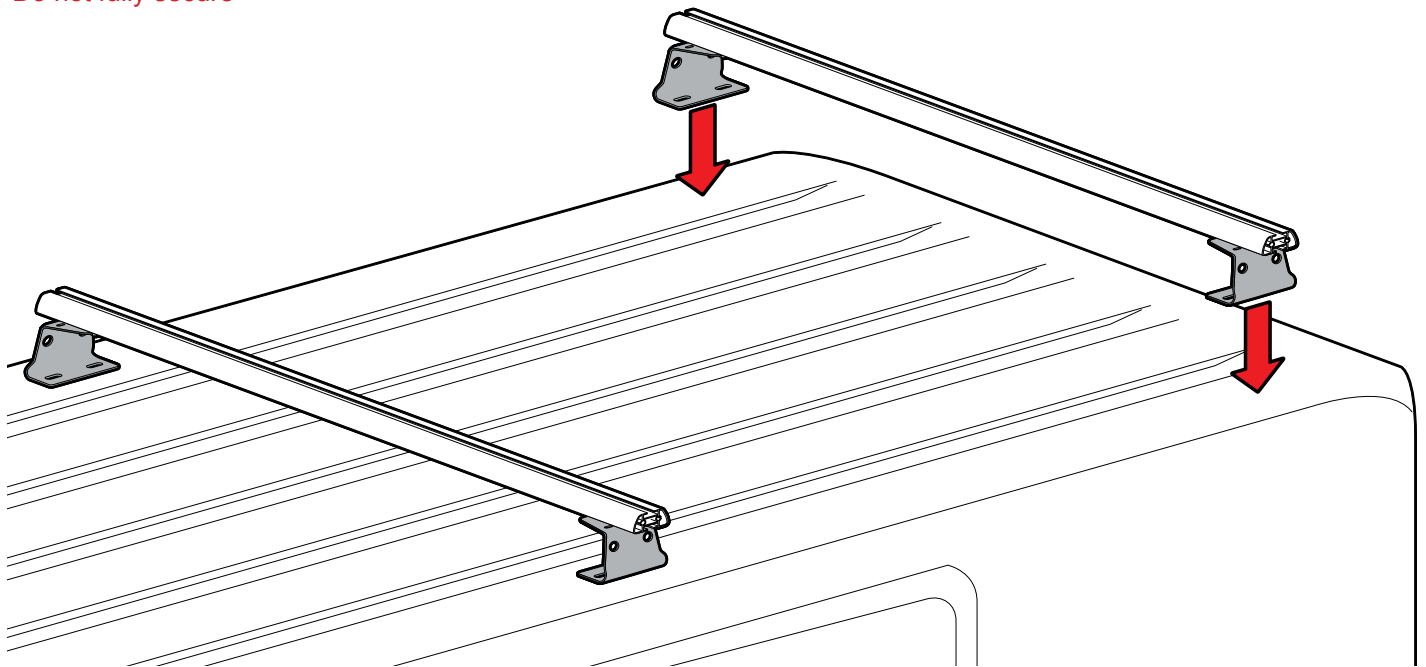
CONTENTS CONTINUE ON NEXT PAGE

Packaged by _____
Date _____

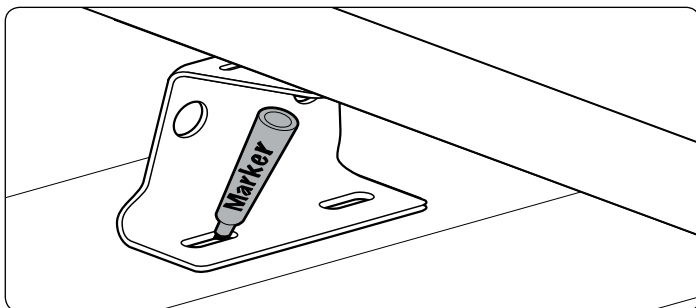
PART #	DESCRIPTION	J3000	J4000	ITEM <small>items not drawn to scale</small>
W002	1/4" X 1/2" WASHER	8	8	
W006	5/16" X 3/4" WASHER	48	48	
N005	5/16" NYLON NUT	40	40	
N022	5/16" RECTANGULAR NUT	4	4	
M10	MOUNTING BASE	4	4	
M07	INTERIOR PLATE	4	4	
G004	GASKET 1.5" X 4"	4	4	
A285-50/60	(A285) CROSS BAR 50"/ 60"	----	2	
A287-65	CROSS BAR (A287) 65	2	---	
M16	CROSSBAR SIDE RAIL ADAPTOR	4	4	
A619-36/48/60	A619 SIDE RAIL 36'/48"/60"	4	4	
A618	A618 1" CONNECTION TUBE	2	2	
A32	BULL HORN	2	2	
A11	LADDER STOPPER BASE	2	2	
A15	LADDER STOPPER	2	2	
A49	PUSH 2 SECURE BASE	2	2	



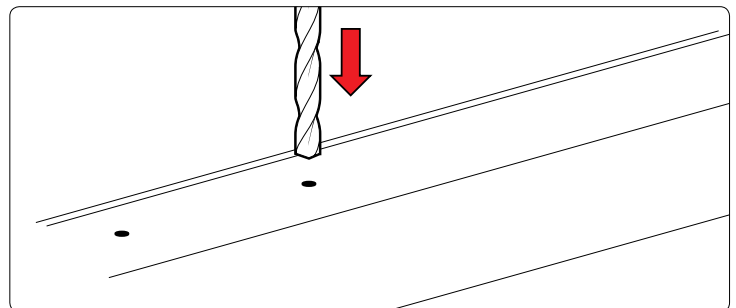
* Do not fully secure



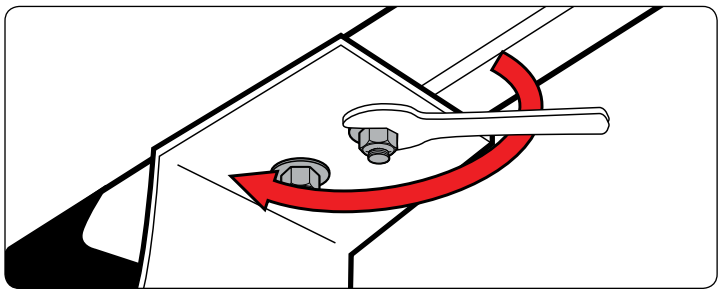
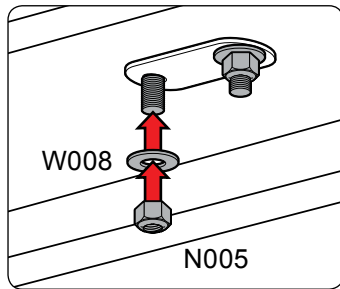
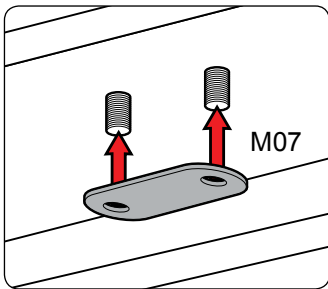
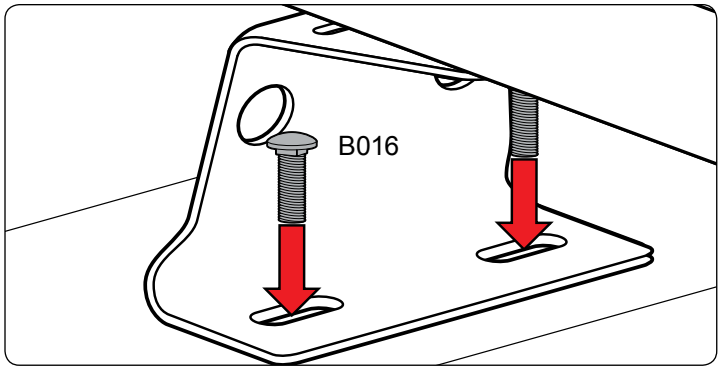
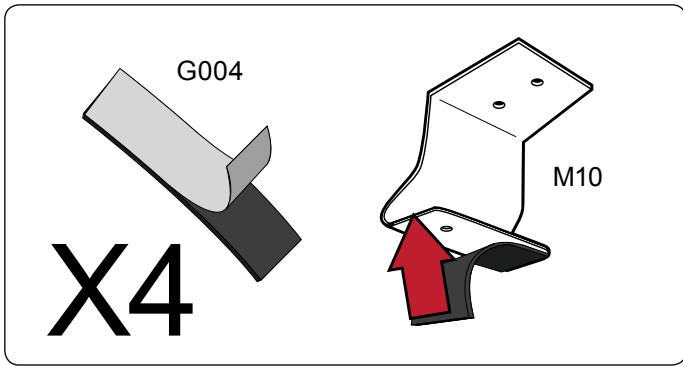
*Position the rack system to your preference.



*Mark with marker.

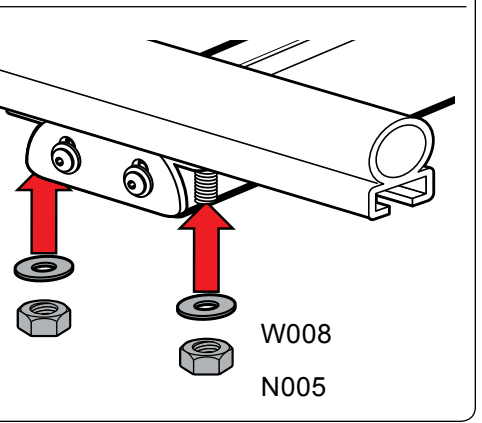
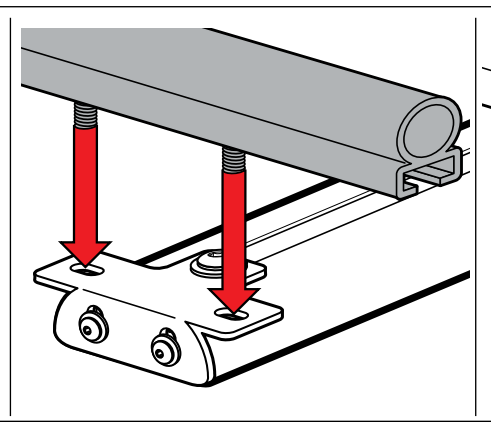
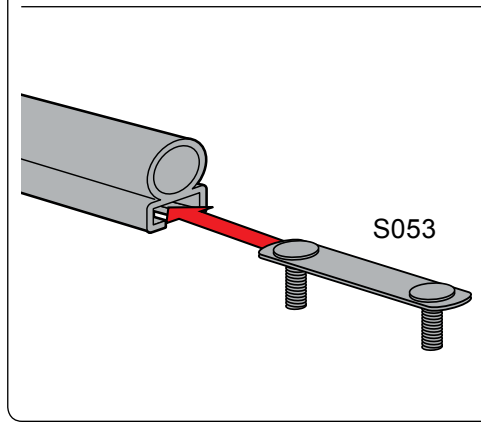
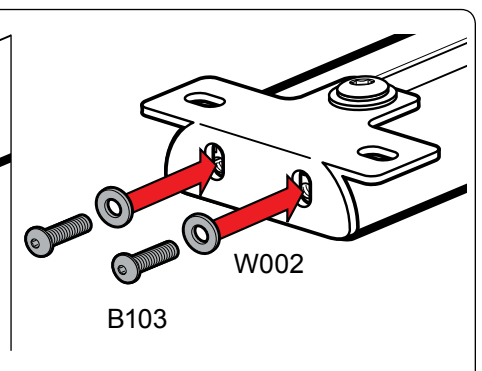
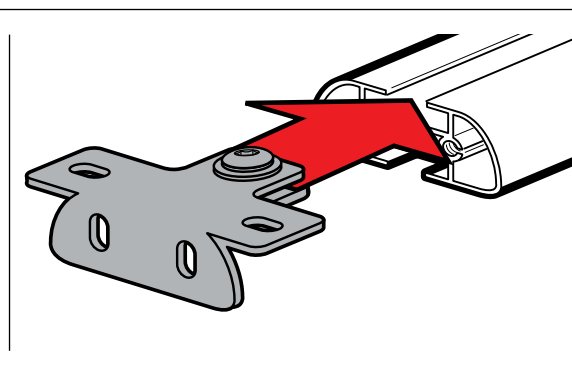
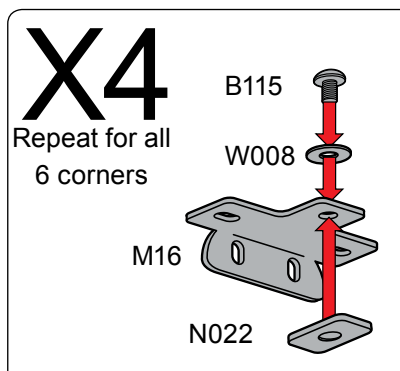
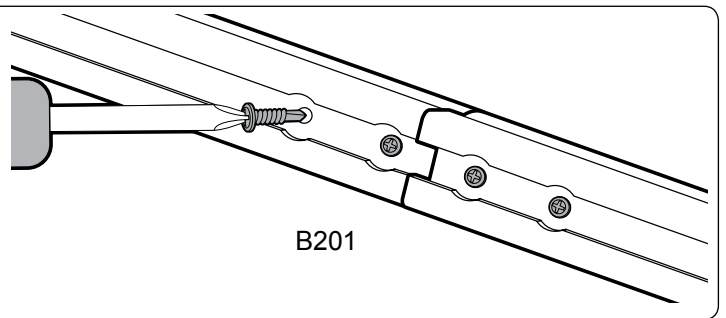
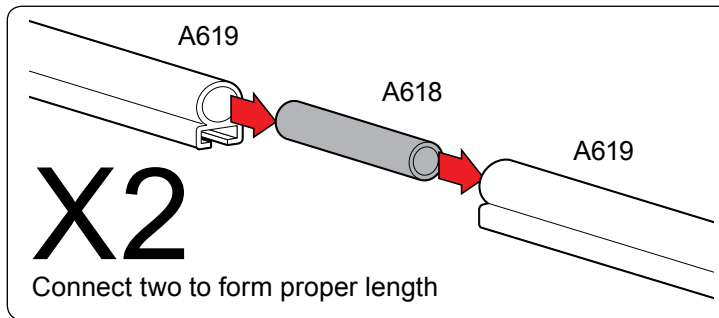


*Remove van rack and use a 5/16" drill bit.



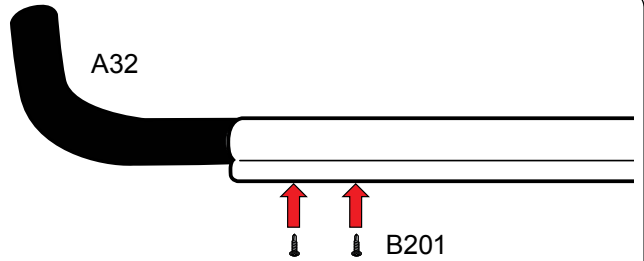
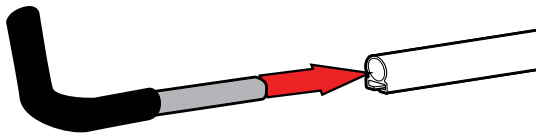
*Secure from the interior of vehicle.

*Secure all hardware.



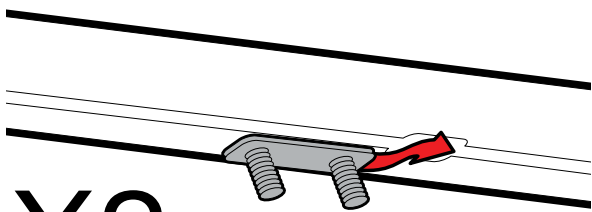
X2

One per side rail, front

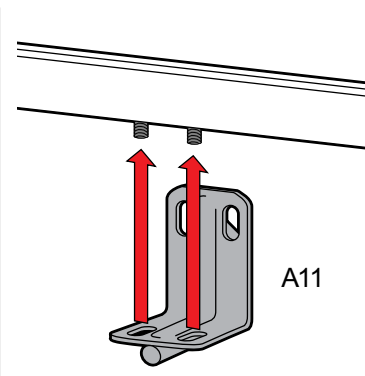


X2

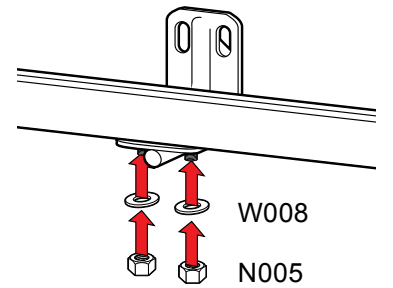
Installed under front cross bars



S062

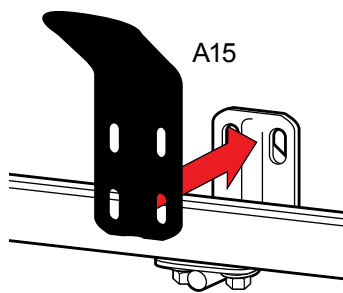


A11

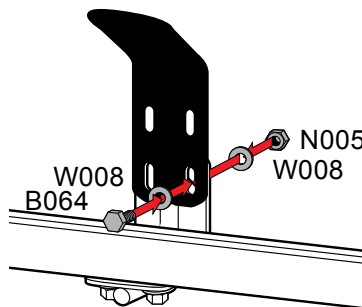


W008

N005

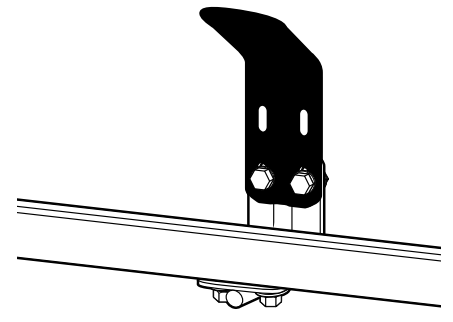


A15



W008
B064

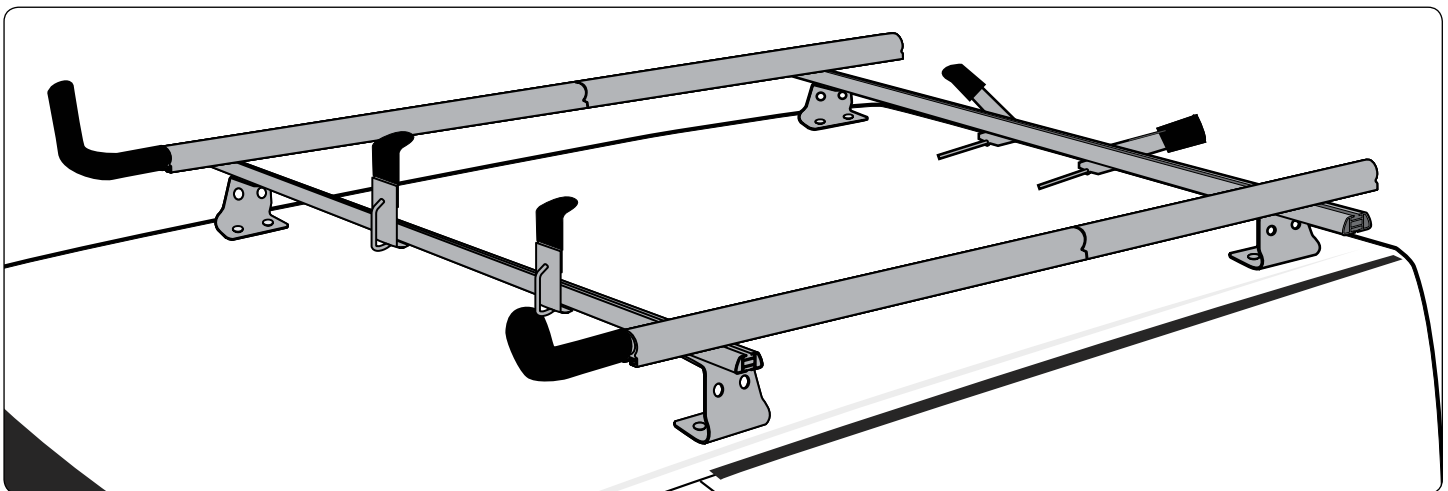
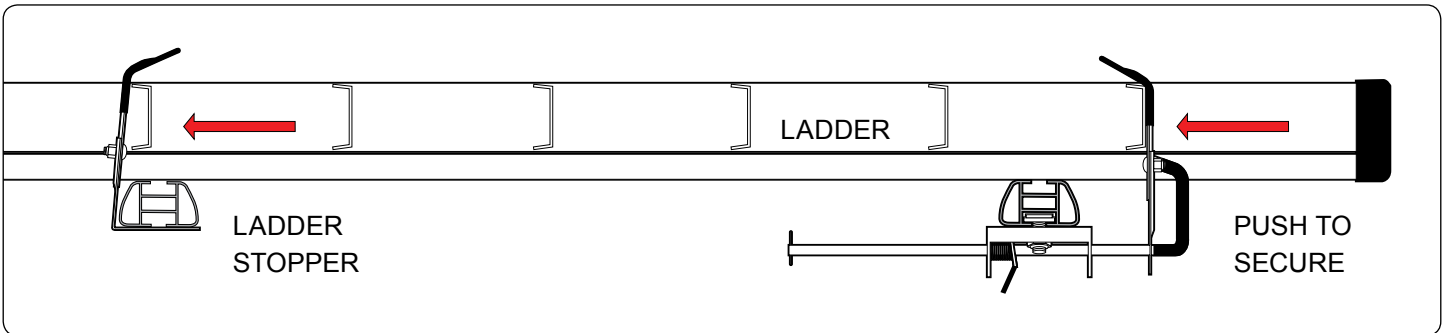
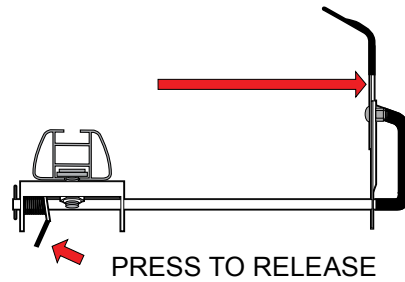
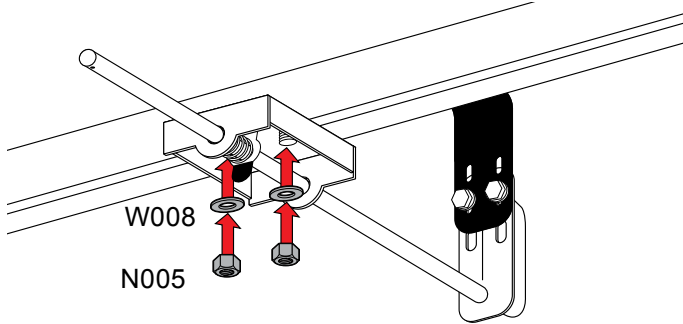
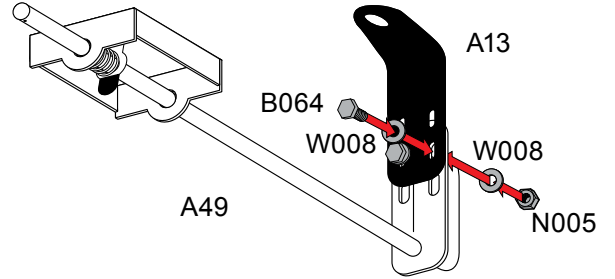
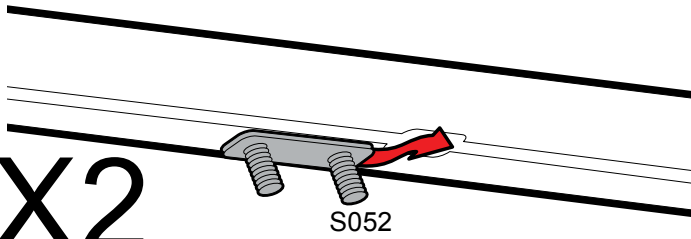
N005
W008



*Secure all hardware.

X2

Installed on
(REAR) bar



ACCESSORIES | EXTRUDED ALUMINUM SYSTEMS



ADJUSTABLE LADDER STOPPER

- Adjustable 2pcs. ladder stopper prevents ladders from sliding forward.
- The bottom half of the stopper is galvanized and powder coated.
- The top is galvanized and rubber dipped for durability.
- The unit is bolted onto the bottom channels of the cross bar.

Part #	Description	Color	MSRP
A57	Adjustable Ladder Stopper 5-7"	Black or White	35.00



PUSH-2-SECURE

- Secure your ladder with the Vantech Push 2 Secure.
- System is bolted underneath cross bar. Holds ladder 6"-8" in height.
- Installs onto rear cross bar
- Works together with Ladder Stopper

Part #	Description	Height	Color	MSRP
A64	Push to Secure	6-8"	Black or White	69.00



4 PC. HOLDER WITH STRAPS

- Holds Kayak, surfboards and canoes
- Adjustable rubber padding can conform to side or bottom of equipment

Part #	Weight Capacity	MSRP
A67	100 lb.	119.00(each)



ADJUSTABLE GUIDES WITH EYE HOOKS

- The adjustable guide slides inside the channels of the cross bar and locks into places with turn-knob
- Eyehook located on top for easy tie-down and bungee.
- 5" in height to secure item side to side.

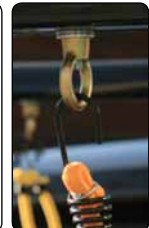
Part #	Height	Bar Type	Color	MSRP
A20	5"	A285, A286	Black Rubber	39.00 (pair)
A93	5"	A270, A287, A613	Black Rubber	39.00 (pair)



RATCHET TIE-DOWN

- The Vantech Ratchet tie-down attaches to eyehooks on the mounting uprights with 1/2" bolts.
- Sold as individuals

Part #	Length	Install	Weight Capacity	MSRP
A62	10'	Onto Eyehook	150 lbs	35.00 (each)



EYEHOOK

- Eyehooks includes sliders to fasten into channel.
- Tighten eyehook to secure into place.

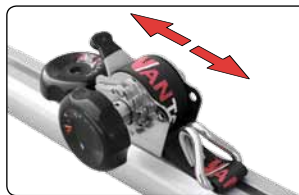
Part #	Size	Bar Type	MSRP
A24	1"	A285 A286	10.00 (pair)
A59	1.25"	A285 A286	14.00 (pair)
A94	1"	A270 A287 A613	10.00 (pair)



RUBBER COATED SIDE SUPPORT

- Includes stainless steel mounting hardware.
- Built in Eyehook on each support

Part #	Bar Type	Color	MSRP
A08	A270	Black Rubber	15.00 pair
A04	A285	Black Rubber	17.00 pair
A03	A286	Black Rubber	19.00 pair
A04	A287	Black Rubber	17.00 pair



RATCHET TIE-DOWN

- Attach the Vantech Ratchet tie-down to the channels of the crossbar.
- Sold as individuals
- Adjustable along channels

Part #	Strap Length	Bar Type	Weight Capacity	MSRP
A61	7'	Channels	150 lbs	29.00 (each)



EZ-VELCRO STRAP

- Strap a ladder with the EZ velcro straps.
- Holds up to a maximum of 75 lbs in combination with the ladder stopper or guide.
- Loops into cross bar.

Part #	Height	Bar Type	Color	MSRP
A69	10"	All	75 lb.	18.00 (each)

Note: Currently does not fit 286 cross bars



LOCKING KEY KNOB

- Prevent theft of racks or equipment
- Fits all 3/8" threading on upright mounts



Part #	Bar Type	MSRP
A47	Locking Key knob with key (sold in pairs)	39.00 (pair)



ADJUSTABLE EYEHOOK

- Eyehooks includes sliders to secure into channel.
- Tighten knob to secure into place.

Part #	Height	Bar Type	MSRP
A25	1.5"	A285, A286	20.00 (pair)
A26	1.5"	A270, A287, A613	20.00 (pair)



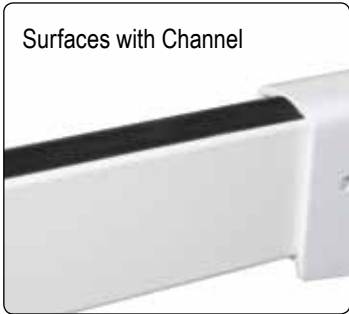
Surfaces without Channel



PLASTIC BAR GUARD

- › 3/4" & 2" Plastic Bar Guards
- › Adhesive on one side
- › Extend life of crossbars.
- › Prevents scratches on Cross Bars
- › Can be cut to specific sizes
- › Any excess can be cut to length
- › Can be used on other surfaces

Part #	Description	Length	MSRP
BG042	3/4" wide bar guards with self adhesive tape	42"	6.00
BG056	3/4" wide bar guards with self adhesive tape	56"	7.00
BG063	3/4" wide bar guards with self adhesive tape	63"	8.00
BG072	3/4" wide bar guards with self adhesive tape	72"	10.00
BG084	3/4" wide bar guards with self adhesive tape	84"	11.00
BG096	3/4" wide bar guards with self adhesive tape	96"	12.00
BG251	2" wide bar guards with self adhesive tape	51"	9.00
BG259	2" wide bar guards with self adhesive tape	59"	10.00
BG265	2" wide bar guards with self adhesive tape	65"	11.00
BG272	2" wide bar guards with self adhesive tape	72"	12.00



Surfaces with Channel



RUBBER BAR GUARD

- › Rubber Bar Guards
- › Fits into channels of extruded aluminum bars
- › Easy press-on design
- › Can be cut to specific sizes
- › Any excess can be cut to length
- › minimize rattling sound
- › Prevents scratches on Cross Bars

Part #	Description	Length	MSRP
BG548	3/4" wide non-slip rubber bar guards (press in channels)	48"	14.00
BG565	3/4" wide non-slip rubber bar guards (press in channels)	65"	19.00
BG572	3/4" wide non-slip rubber bar guards (press in channels)	72"	22.00
BG584	3/4" wide non-slip rubber bar guards (press in channels)	84"	36.00
BG596	3/4" wide non-slip rubber bar guards (press in channels)	96"	40.00



RUBBER BAR GUARD CUSHION

- › Rubber Bar Guards (Cushioned)
- › Fits into channels of extruded aluminum cross bars.
- › Function and install similar to normal rubber bar guard
- › Additional air pocked for extra cushion
- › Great for kayaks, boards, and other materials or equipment.

Part #	Description	Length	MSRP
BG748	1" wide rubber Cushion bar guards (press in channels)	48"	28.00
BG765	1" wide rubber Cushion bar guards (press in channels)	65"	28.00
BG772	1" wide rubber Cushion bar guards (press in channels)	72"	44.00
BG784	1" wide rubber Cushion bar guards (press in channels)	84"	49.00
BG796	1" wide rubber Cushion bar guards (press in channels)	96"	56.00



VANTECH 6" CONDUIT CARRIER.

- › Spring assist rear door for a water tight seal.
- › Padlock tab for rear hatch door.
- › Direct bolt-on system.
- › Secures into channels of aluminum crossbars with sliders.
- › Includes: Front cap, rear door, 2 "U" brackets and hardware.
- › 6" PVC pipe not included.



Part #	Description	Bar Type	MSRP
A34	6" Conduit Carrier (bolt on)	All	89.00



360° ADJUSTABLE CONVEX MIRROR (ADHESIVE BACK)

- › Sticks onto side view mirror.
- › Adhesive backing
- › Convex Mirror to show more

Part #	Size	Color	MSRP
A108	3.75"	Black	5.00