

# SkyLink 40



**0.40-0.50 cu.in. displacement 2-stroke**  
**0.52-0.70 cu.in. displacement 4-stroke**

**Requires : 5-channel radio w/ 7 standard servos**

### Specifications

<b>Wing Span</b>	<b>66 in / 1680 mm</b>
<b>Wing Area</b>	<b>590 sq in / 38.1 sq dm</b>
<b>Flying Weight</b>	<b>6.6 lb / 3000 g</b>
<b>Fuselage Length</b>	<b>51 in / 1300 mm</b>

\*Specifications are subject to change without notice.\*

**Warning! This model is not a toy.**

It is designed for maximum performance. Please seek advice if one is not familiar with this kind of engine powered precision model. Operating this model without prior preparation may cause injuries. Remember, safety is the most important thing. Always keep this instruction manual at hand for quick reference.



**THE WORLD MODELS  
 MANUFACTURING CO., LTD.**  
 FACTORY PRE-FABRICATED  
 ALMOST-READY-TO-FLY (ARF) SERIES  
 MADE IN CHINA  
[www.theworldmodels.com](http://www.theworldmodels.com)

# SkyLink 40

## INDEX

BEFORE YOU BEGIN.....	P.1
PARTS LIST.....	P.2
ASSEMBLY.....	P.3-P.12
SAFETY PRECAUTIONS.....	P.12

## BEFORE YOU BEGIN

- 1 Read through the manual before you begin, so you will have an overall idea of what to do.
- 2 Check all parts. If you find any defective or missing parts contact your local dealer. Please DRY FIT and check for defects for all parts that will require CA or Epoxy for final assembly. Any parts you find to be defective after the gluing process may be difficult to remove for warranty replacement. The manufacturer will replace any defective parts, but will not extend to the parts that are good before gluing to defective parts during assembly. Warranty will not cover any parts modified by customer.
- 3 Symbols used throughout this instruction manual comprise of the following :-



Apply epoxy glue.



Apply instant glue  
(C.A.glue, super glue.)



Assemble left and right  
sides the same way.



Ensure smooth non-binding  
movement while assembling.



Peel off shaded portion  
covering film.



Cut off shaded portion.



Drill holes with the specified  
diameter (here: 3mm)



Must be purchased separately!



Pay close attention here!



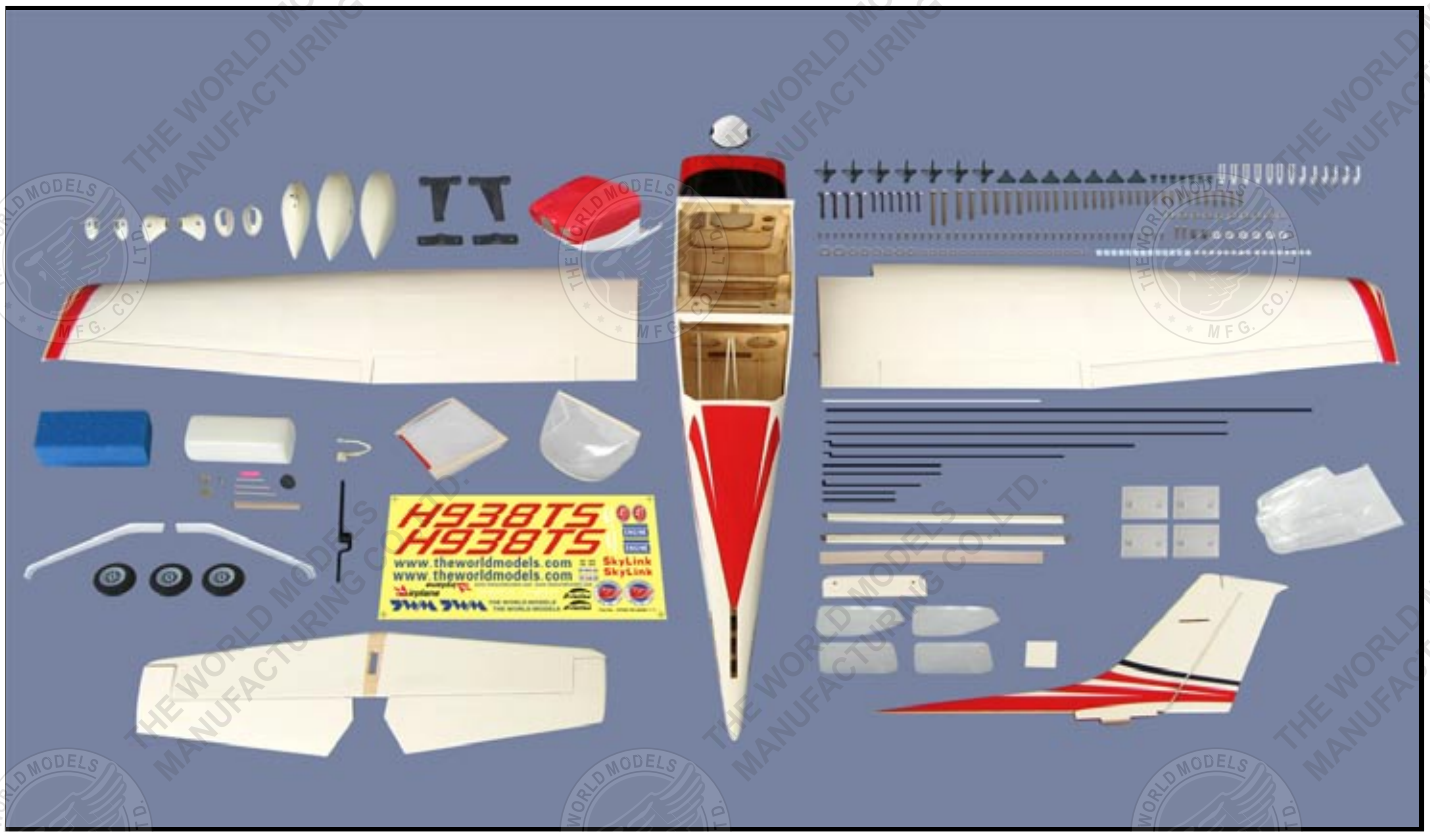
Do not overlook this symbol!



Pierce the shaded portion  
covering film.



Apply thread locker



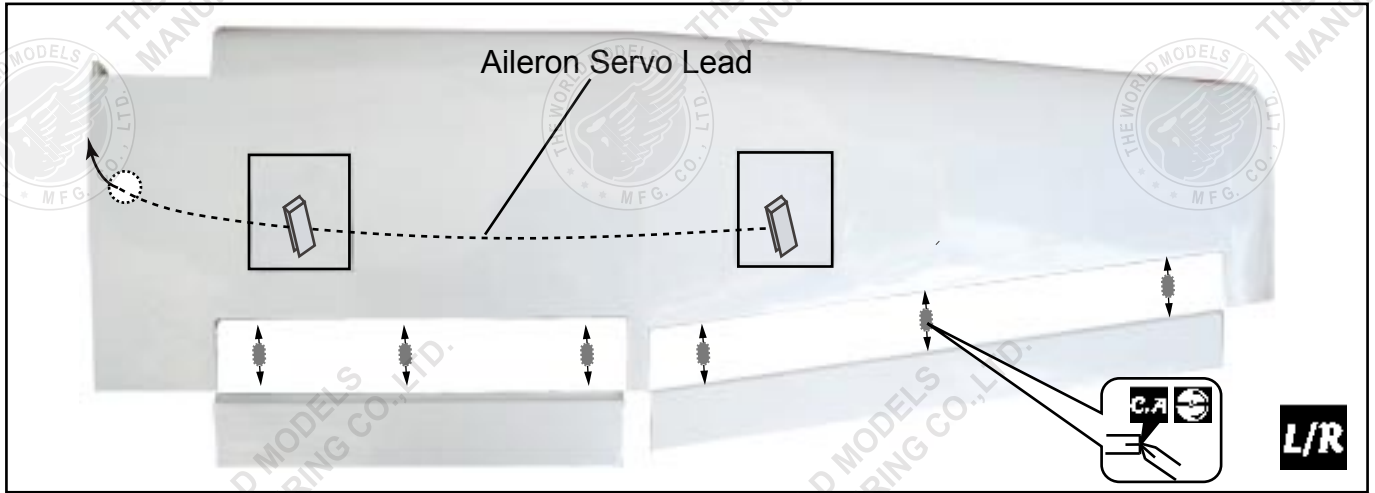
## Parts List

1. MAIN WING -- 1 pair
2. SCREW PM2x20mm -- 4 pcs  
SCREW PM2x16mm -- 2 pcs  
SCREW PM2x22mm -- 4 pcs  
SCREW PM2x18mm -- 2 pcs  
SCREW PWA2x12mm -- 16 pcs  
FUEL TUBE Ø6x5mm -- 8 pcs  
CLEVIS -- 4 pcs  
STRAPER -- 4 pcs  
TRI-HORN M3x14mm (S) (For Aileron & Flap) -- 4 sets  
SERVO MOUNTING PANEL 2x68x78mm (For Aileron) -- 4 pcs  
PUSHROD Ø1.8x95mm w/ Threads (For Aileron) -- 2 pcs  
PUSHROD Ø1.8x110mm w/ Threads (For Flap) -- 2 pcs
3. WING JOINER 6x20x299.4mm -- 1 pc.
4. STABILIZER & ELEVATOR -- 1 set  
FUSELAGE -- 1 pc.
5. VERTICAL FIN & RUDDER -- 1 set  
VERTICAL WING'S FIN 3x40x50mm -- 1 pc.
6. SCREW PM2x16mm -- 6 pcs  
CLEVIS -- 2 pcs  
FUEL TUBE Ø6x5mm -- 2 pcs  
TRI-HORN M3x14mm (S) (For Elevator) -- 2 sets  
PUSHROD Ø1.8x650mm w/ Threads (For Elevator) -- 2 pcs
7. SCREW PM2x16mm -- 3 pcs  
CLEVIS -- 1 pc.  
FUEL TUBE Ø6x5mm -- 1 pc.  
TRI-HORN M3x14mm (S) (For Rudder) -- 1 set  
PUSHROD Ø1.8x760mm w/ Threads (For Rudder) -- 1 pc.
8. ENGINE MOUNT PL5111050 -- 1 set  
SOCKET HEAD SCREW M4x25mm -- 4 pcs  
WASHER d4xD9mm -- 4 pcs
9. FRONT LANDING GEAR -- 1 set  
COLLAR Ø4.1mm w/ set screw -- 4 sets  
SET SCREW M3x3mm -- 2 pcs  
WHEEL PANTS -- 1 pc.  
WHEEL Ø50mm -- 1 pc.  
STEERING ARM Ø4.1mm w/ set screw -- 1 set  
FRONT GEAR ABSORBEE ACCESSORIZE -- 1 set
10. FUEL TANK 380cc -- 1 set  
BALSA 8x8x156mm (For Fuel Tank Position Fixing) -- 1 pc.
11. SCREW PM3x25mm -- 4 pcs  
WASHER d3xD7mm -- 8 pcs  
M3 NUT -- 8 pcs  
THROTTLE PUSHWIRE Ø1.2x370mm -- 1 pc.  
w/ Plastic tube d2xD3x140mm -- 1 pc.  
FRONT WHEEL PUSHROD Ø1.4x260mm -- 1 pc.  
w/ Plastic tube d2.5xD4x140mm -- 1 pc.
12. MAIN LANDING GEAR -- 1 pair  
MAIN LANDING GEAR COVER -- 1 pair  
SCREW PM4x45mm -- 2 pcs  
SCREW PWA2.6x8mm -- 4 pcs  
SOCKET HEAD SCREW M2.5x15mm -- 6 pcs  
M4 NUT -- 2 pcs  
WASHER d4xD9mm -- 4 pcs  
WASHER d2.5xD8mm -- 6 pcs  
COLLAR Ø4.1mm w/ set screw -- 4 sets  
WHEEL PANTS -- 1 pair  
WHEEL Ø62mm -- 2 pcs  
PLATE 1mm -- 2 pcs
13. LINKAGE CONNECTOR Ø2.1mm -- 2 sets
14. WIND SHIELD & SIDE WINDOWS -- 1 set  
SCREW PWA2.3x8mm -- 8 pcs  
SILICON GROMMET d1.5xD6.5mm -- 8 pcs
15. STRAPER -- 2 pcs  
FUEL TUBE Ø6x5mm -- 2 pcs  
SPONGE 60x70x122mm (For Radio Equipment) -- 1 pc.  
PUSHROD Ø1.8x100mm (For Elevator) -- 1 pc.  
PUSHROD CONNECTOR (For Elevator) -- 1 set
16. SCREW PM4x30mm -- 2 pcs  
WASHER d4xD15mm -- 2 pcs  
PLYWOOD 2x32.5x130mm (Wing Protection) -- 1 pc.
17. COWLING -- 1 pc.  
TRANSPARENT 3D TEMPLATE -- 1 pc.  
SCREW PWA2.6x12mm -- 8 pcs  
SILICON GROMMET d1.5xD6.5mm -- 8 pcs  
SPINNER Ø52mm -- 1 set  
AIR SCOOP -- 1 set
18. MAIN WING STRUT -- 1 pair  
SCREW PM2.5x15mm -- 4 pcs  
WING STRUTS COVER -- 1 set
19. DECALS -- 1 set
- COVERING:--  
TOUGHLON STL100 WHITE  
LIGHTEX SGX 201 BLACK  
LIGHTEX SGX 350 CORSAIR BLUE  
LIGHTEX SGX 580 PEARL BRONZE



# 1 Main Wing

● Apply instant type CA glue to both sides of each hinge.

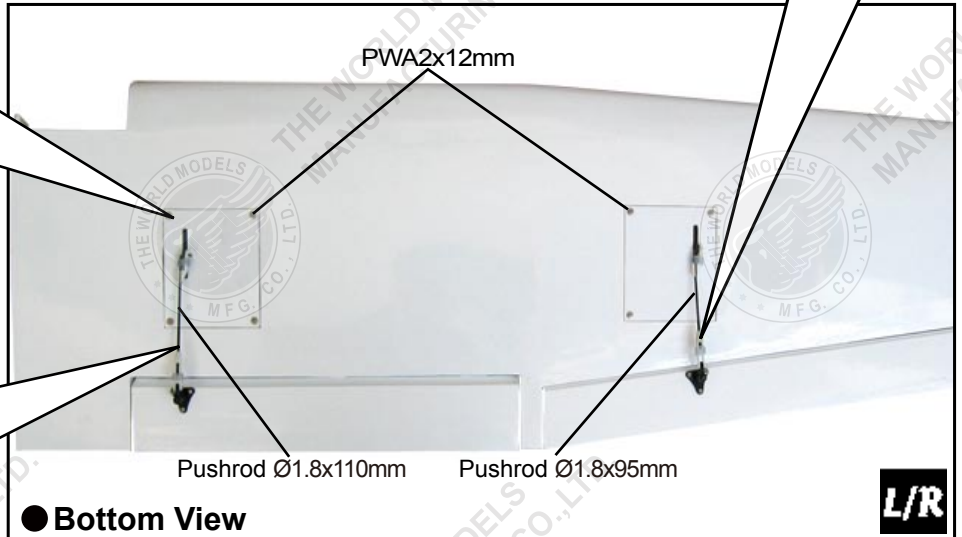
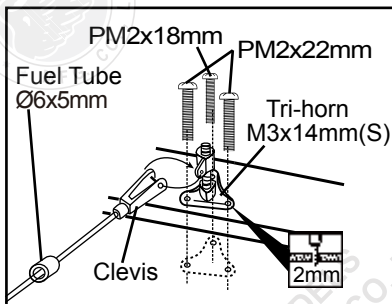
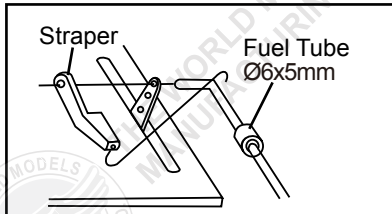
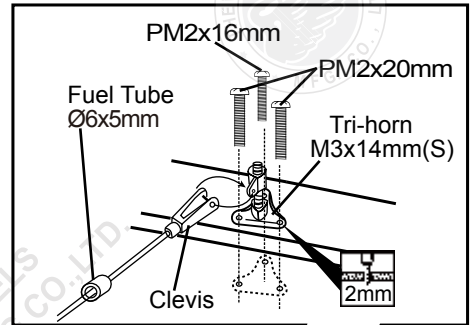
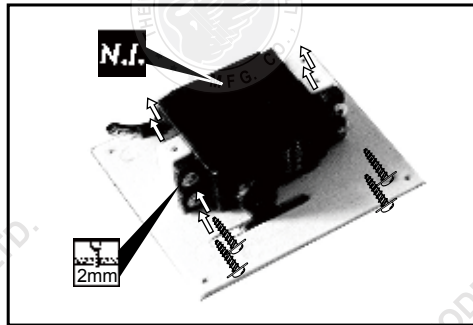


● Bottom View

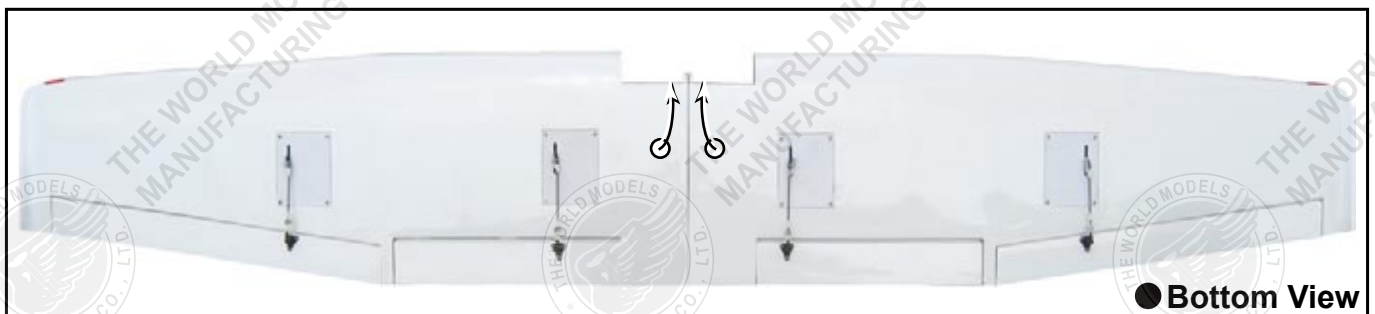
# 2 Aileron & Flap Servos

● Ø1mm pilot holes for World Models tri-horn are pre-drilled. Please look for pin-hole marks at under side of control surfaces.

- PM2x20mm Screw — 4
- PM2x16mm Screw — 2
- PM2x22mm Screw — 4
- PM2x18mm Screw — 2
- PWA2x12mm Screw — 16



● Bottom View

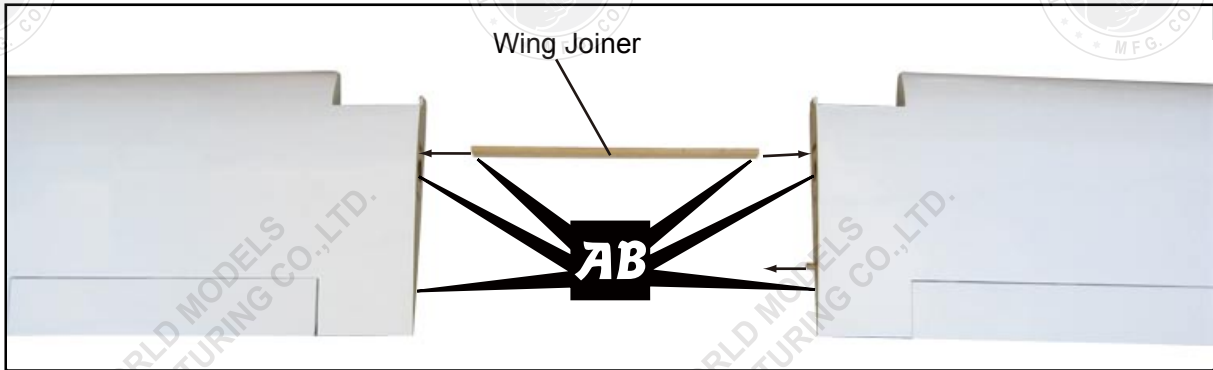


● Bottom View

● Completed

### 3 Main Wing

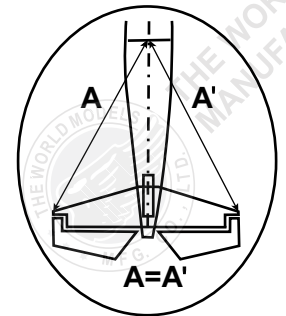
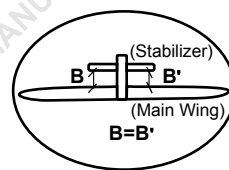
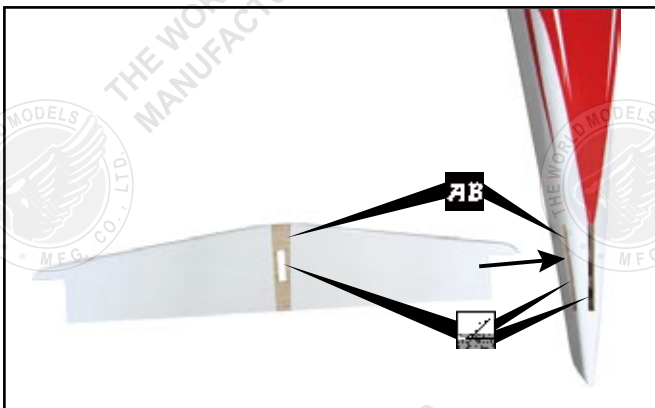
- Please dry fit wing joiner into left and right wing to make sure they fit with the proper dihedral angle, mark the wing joiner if necessary. Apply epoxy glue to both sides of all surfaces in contact. Use a stick to apply the glue to inner side of wing joiner sleeve, and apply the glue to wing joiner before putting them together. Wing joiner not glued properly will lead to wing failure and plane crash.



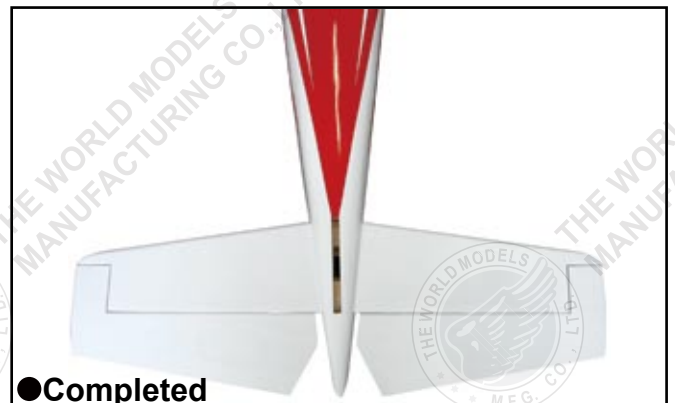
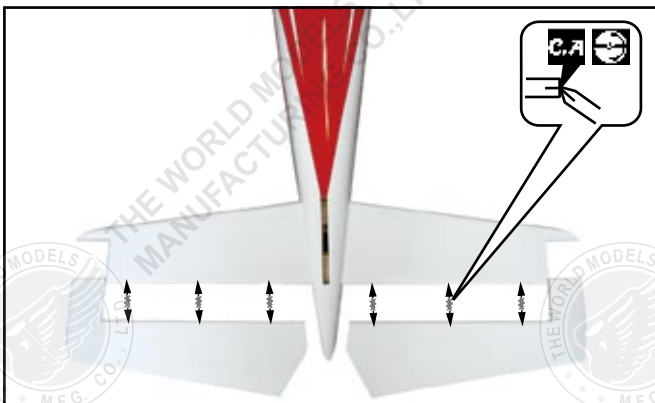
### 4 Stabilizer & Elevator

Temporary install the main wing, adjust leveling of the stabilizer to make is as parallel to the main wing as possible.

\*Also refer to step 19 Wing Setting

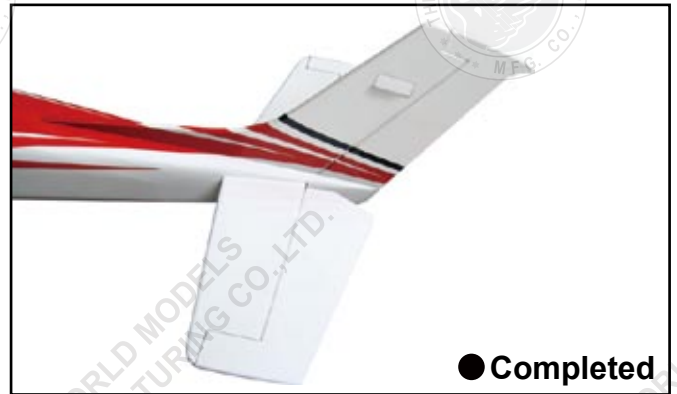
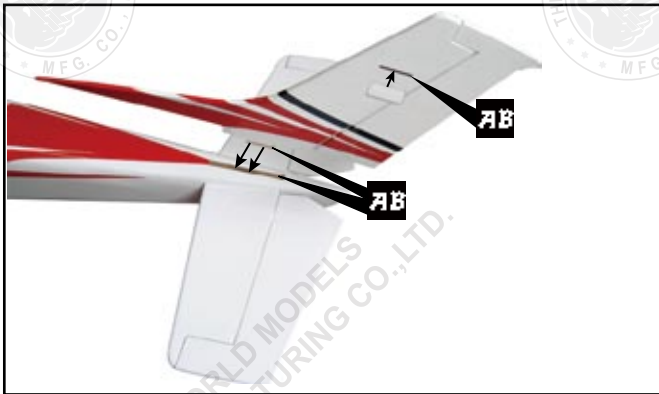
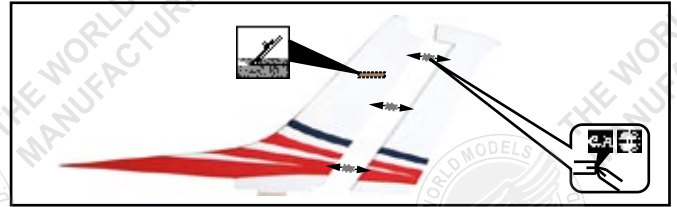
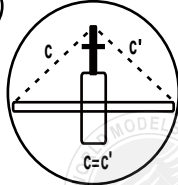


- Apply instant type CA glue to both sides of each hinge.



## 5 Vertical Fin & Rudder

- Apply instant type CA glue to both sides of each hinge.

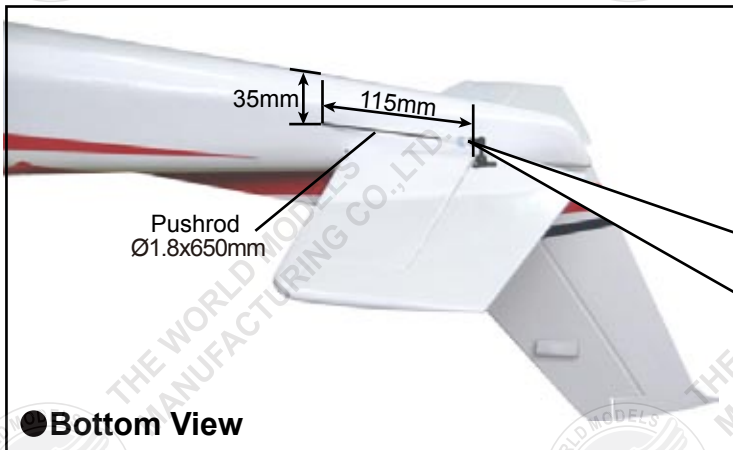


● Completed

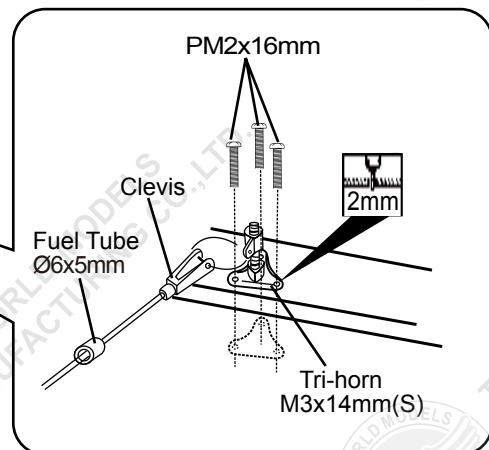
## 6 Elevator Pushrod

PM2x16mm Screw  
6

- Ø1mm pilot holes for World Models horn are pre-drilled. Please look for pin-hole marks at under side of control surfaces.



● Bottom View

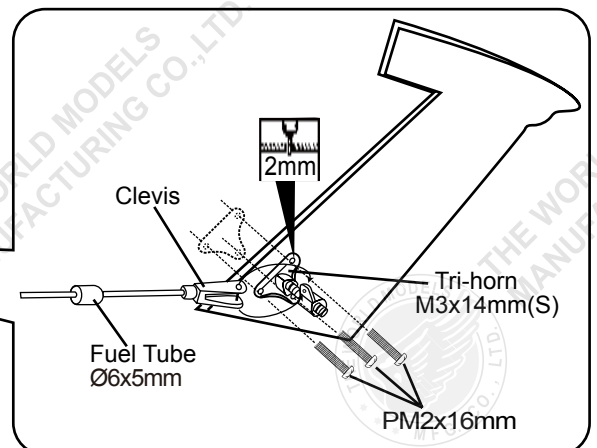
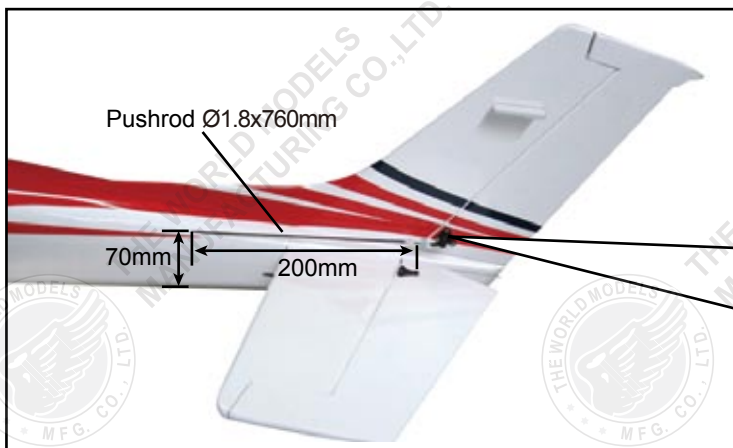


L/R

## 7 Rudder Pushrod

PM2x16mm Screw  
3

- Ø1mm pilot holes for World Models horn are pre-drilled. Please look for pin-hole marks at side of control surfaces.

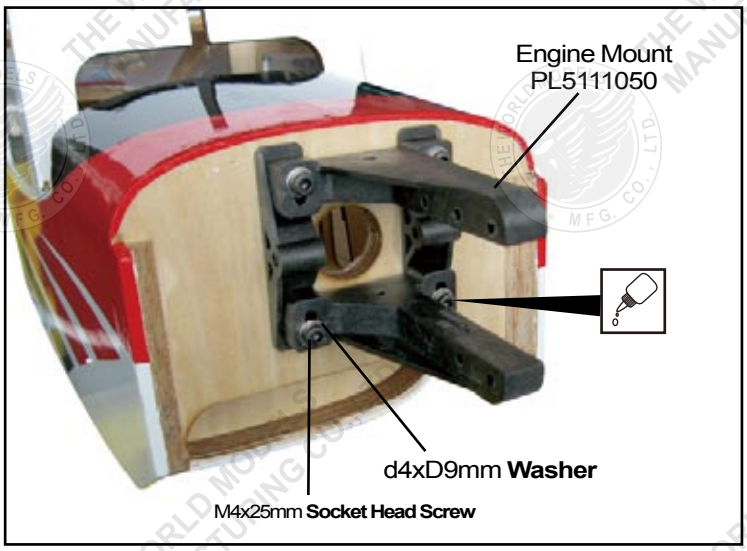




## 8 Engine Mount

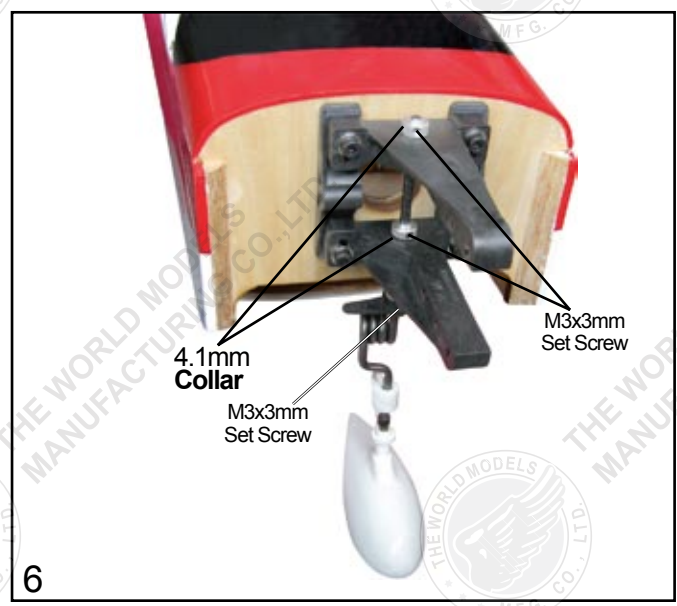
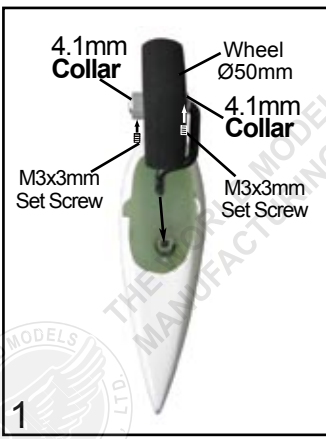
- M4x25mm Socket Head Screw — 4
- d4xD9mm Washer — 4

**!** Blind nuts are off-centered to keep the spinner at the fuselage axis.



## 9 Front Landing Gear

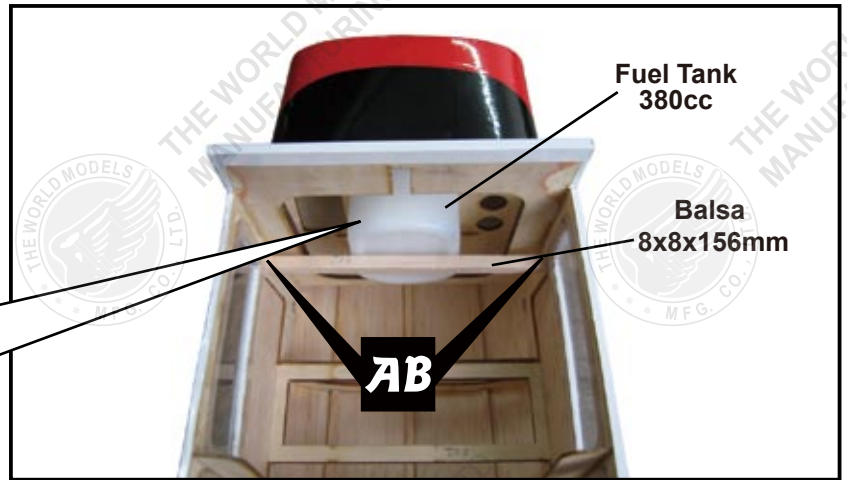
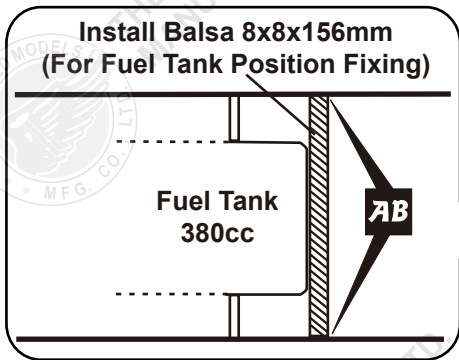
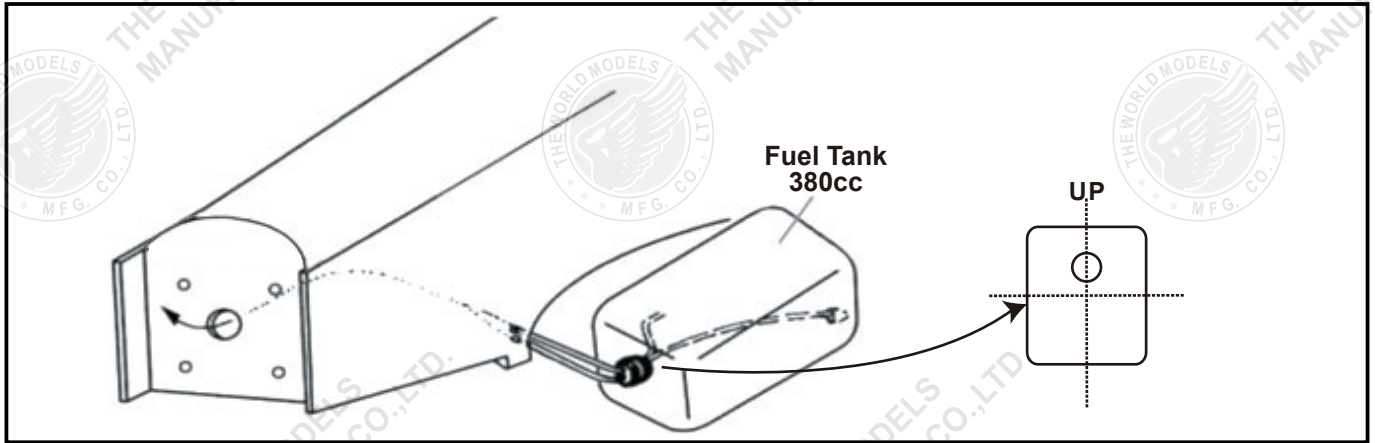
- 4.1mm Collar — 4
- M3x3mm Set Screw — 2



● Bottom View

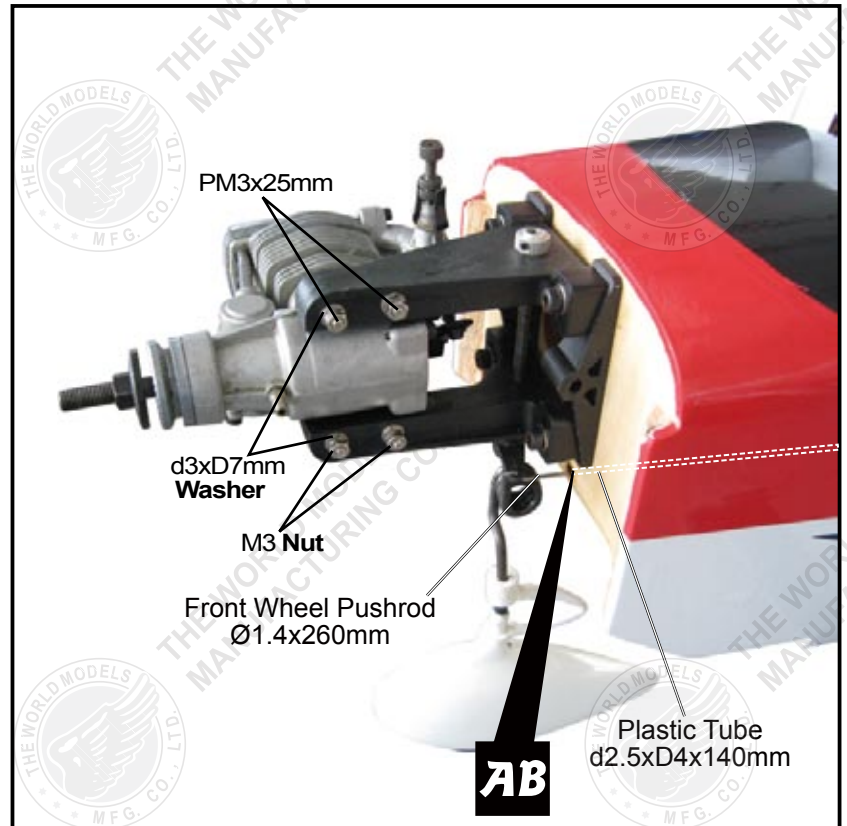
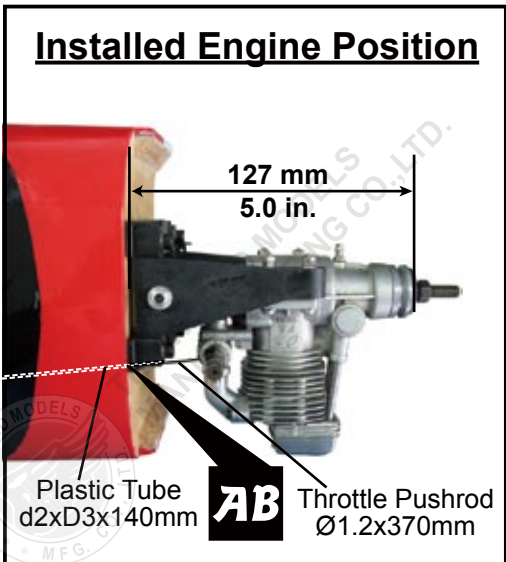
● Completed

# 10 Fuel Tank



# 11 Engine

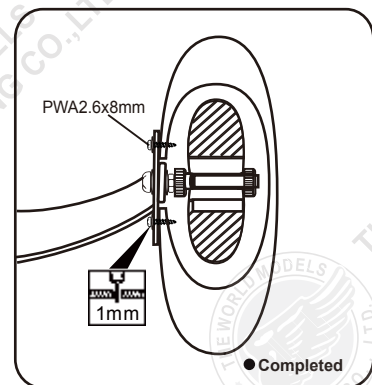
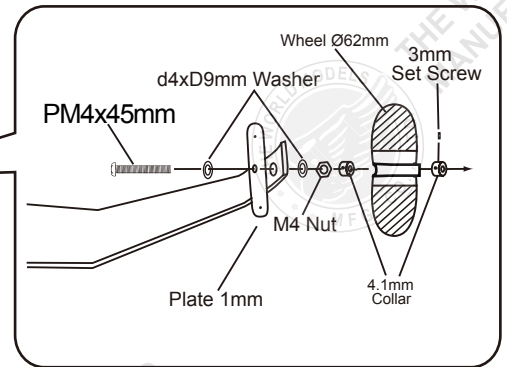
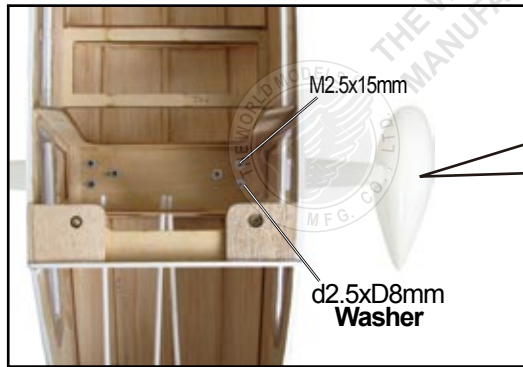
- PM3x25mm Screw — 4
- d3xD7mm Washer — 8
- M3 Nut — 8





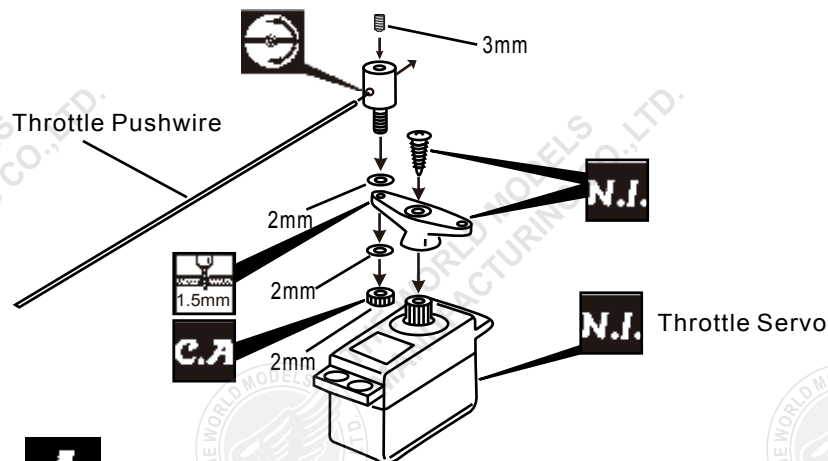
## 12 Main Landing Gear

	PM4x45mm Screw	2
	PWA2.6x8mm Screw	4
	M2.5x15mm Socket Head Screw	6
	M4 Nut	2
	d4xD9mm Washer	4
	d2.5xD8mm Washer	6
	4.1mm Wheel Collar	4



## 13 Servo Set

	3x3mm Set Screw	2
	Linkage Connector	2
	M2 Nut	2
	2mm Washer	4

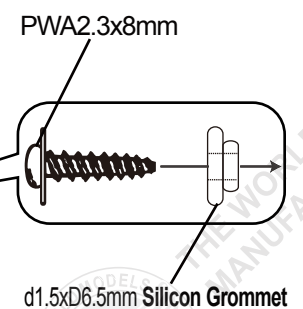
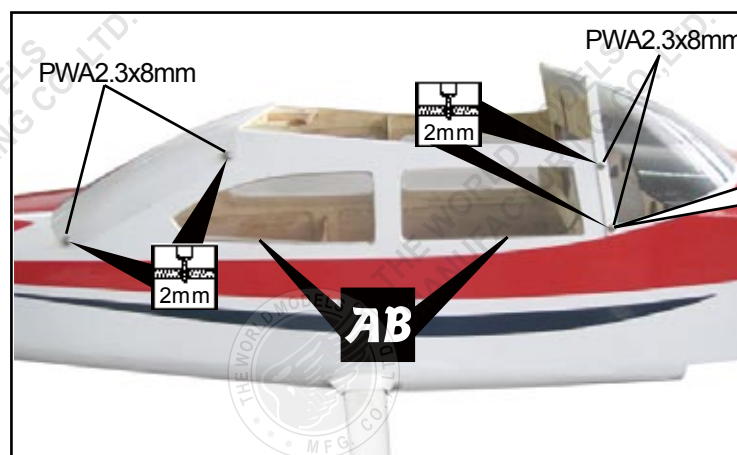


Please refer to the attached sheet for linkage connector installation.

## 14 Canopy

	PWA2.3x8mm Screw	8
	d1.5xD6.5mm Silicon Grommet	8

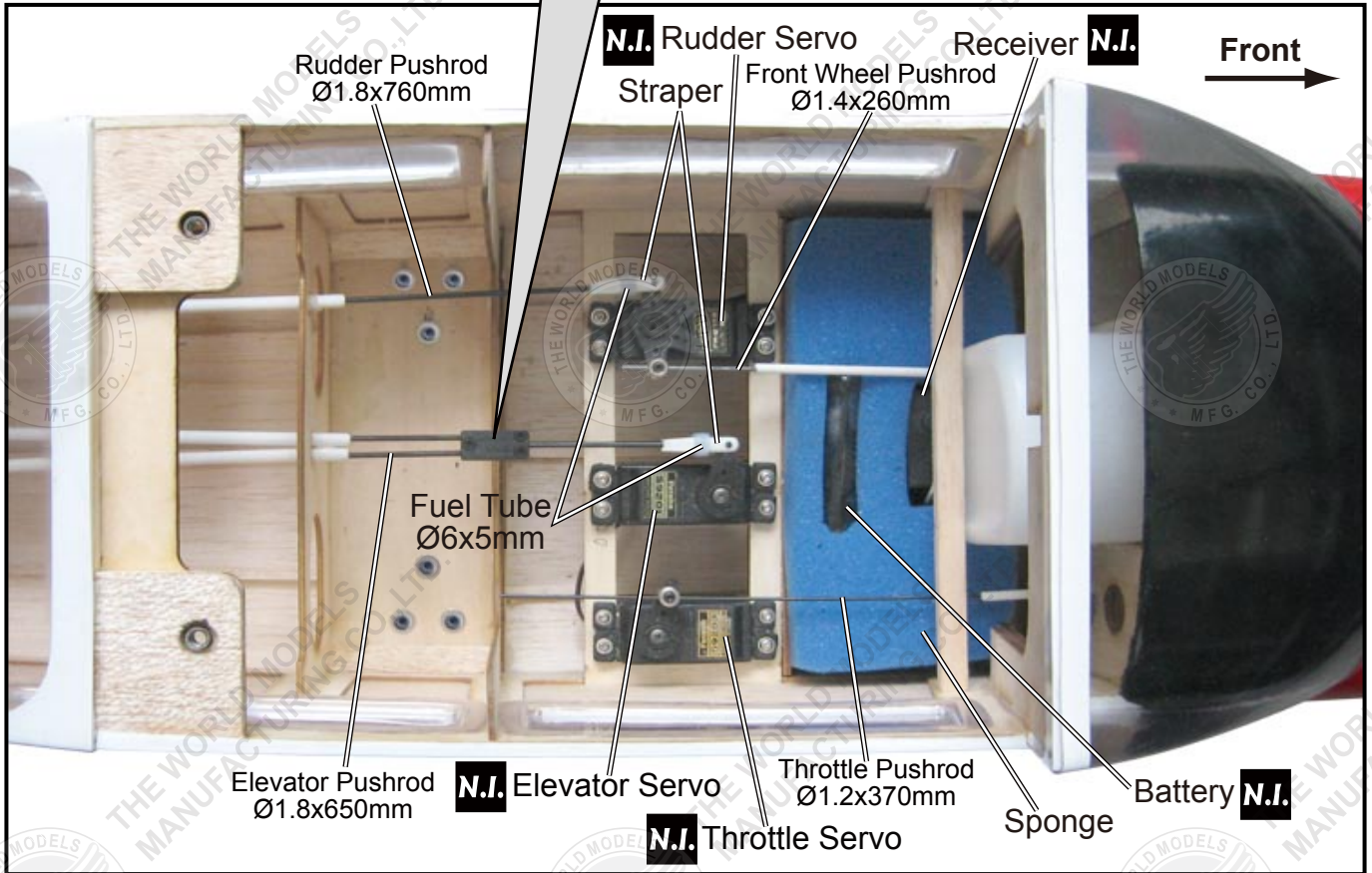
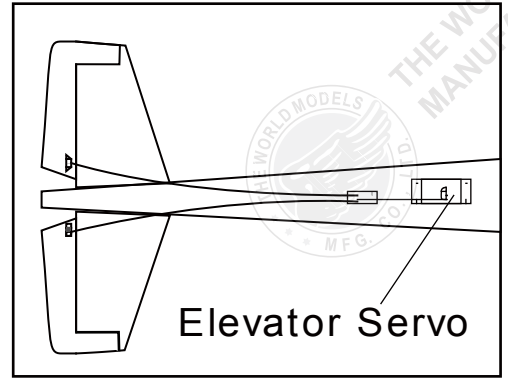
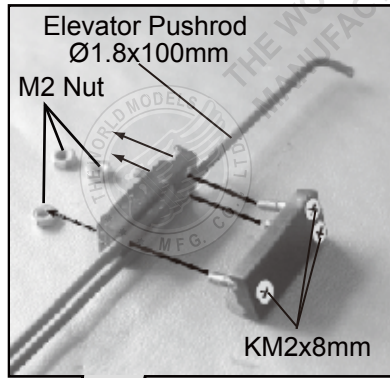
● First insert the grommet to the canopy then apply screw.



L/R

# 15 Radio Equipment

● Install and arrange the servos as shown in the diagram.

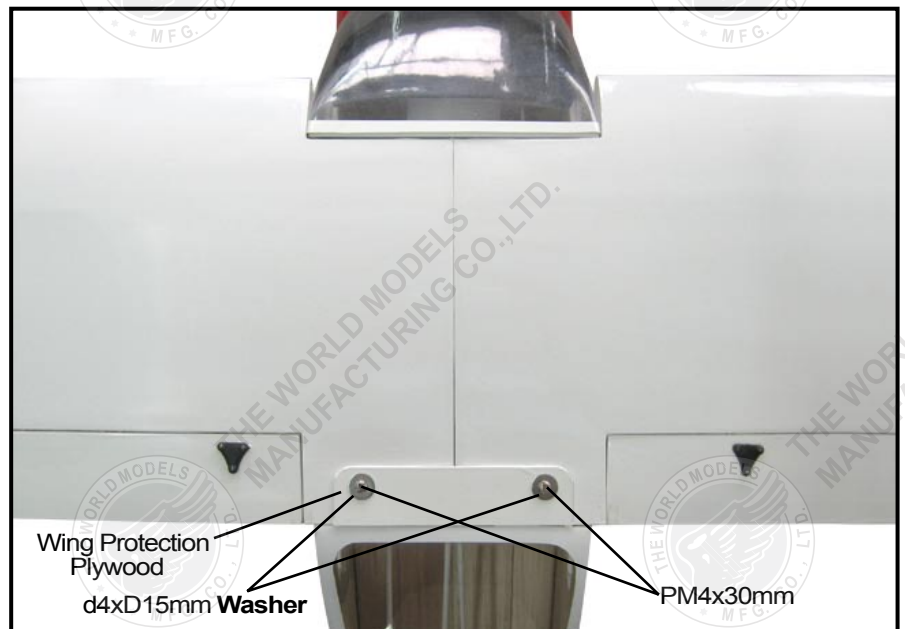


# 16 Main Wing

PM4x30mm Screw



d4xD15mm Washer



## 17 Cowling & Spinner

● First insert the grommet to the cowling then apply screw.

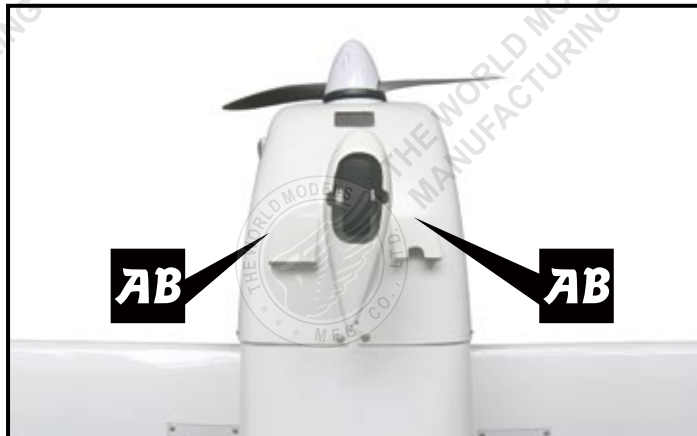
PWA2.6x12mm Screw



d1.5xD6.5mm Silicon Grommet



● Please refer to the attached sheet for usage of the transparent 3D template.

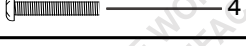


● Bottom View

L/R

## 18 Wing Struts

PM2.5x15mm Screw



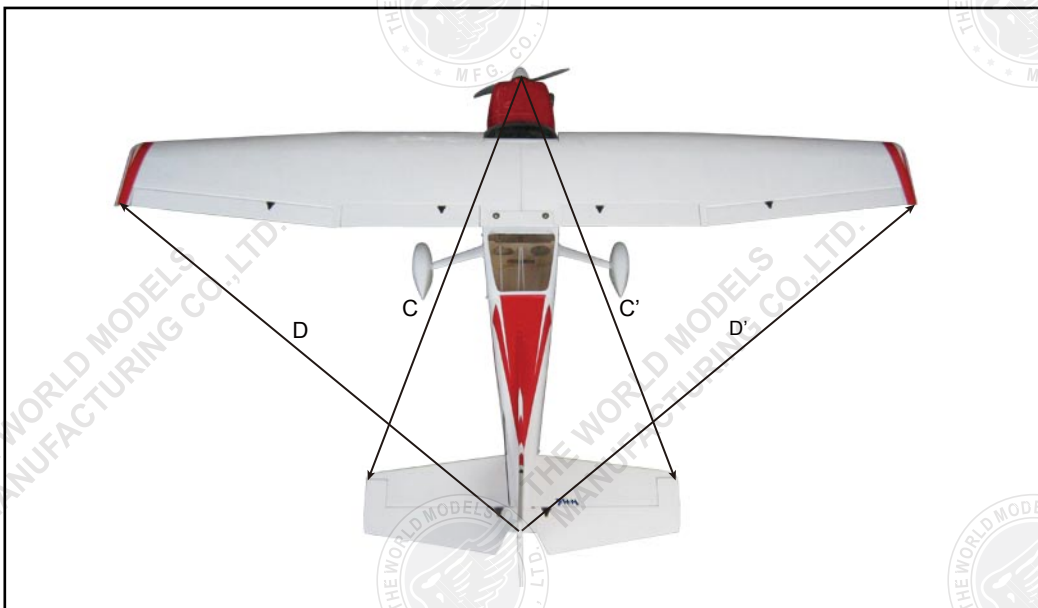
● Bottom View

L/R



## 19 Wing Setting

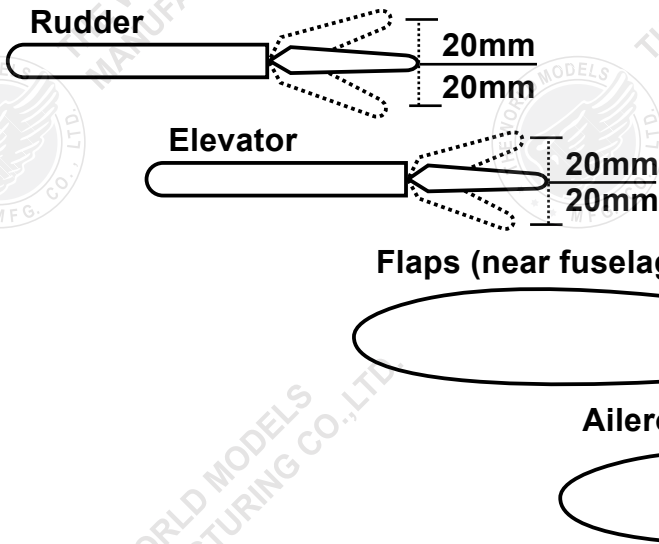
- Adjust the wing and fuselage configuration as shown in the diagrams.



$$A=A' \quad B=B' \quad C=C' \quad D=D'$$

## 20 Control Throws

Adjust the control throws as shown in the diagram. These throws are good for general flying. You can adjust according to your personal preference.



## 21 C.G.

The ideal C.G. position is 85mm (3.35 in.) behind the leading edge measured at where the wing meets the fuselage. In order to obtain the C.G. specified, add weight to the fuselage or move the battery position. Check the C.G. before flying.



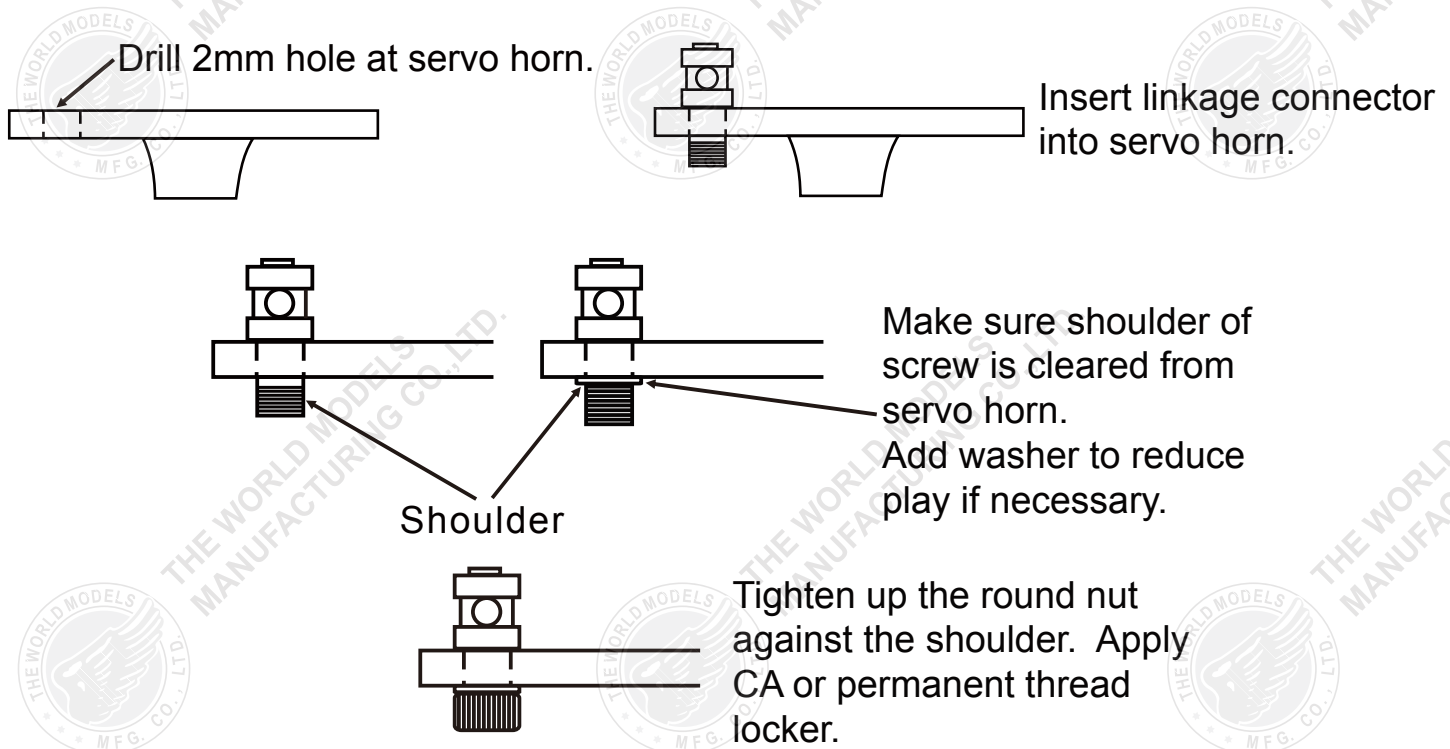
## ! Warning!

### Important Safety Precautions

- # First time flyer should never fly by himself / herself. Assistance from experienced flyer is absolutely necessary.
- # Pre-flight adjustment must be done before flying, it is very dangerous to fly a badly pre-adjusted aircraft.
- # **SkyLink 40** is specially designed to be powered by **2C 0.40-0.50 / 4C 0.52-070** engine, using a more powerful engine does not mean better performance. In fact, over powered engine may cause structural damage and injuries.
- # Make sure the air field is spacious, never fly the plane too close to people and never get too close to a running propeller.
- # If you find wrinkles on the covering as a result of weather changes, you can use hot iron to remove the wrinkles. Please begin with lower temperature setting and gradually raise the temperature until the wrinkles are gone. Too hot an iron may damage the covering.
- # Check and re-tighten up all factory assembled screws, use thread locker if necessary.

# LINKAGE CONNECTOR

## HW7111050 & HW7111060



After fastening the round nut, make sure that the linkage connector can rotate freely.

---

### Product Registration Form (US Customers)

We would like to share with you any relevant information regarding your model, including product news and free upgrade parts when applicable. Please fill in the following and send to AirBorne Models, 2403 Research Drive, Livermore, CA 94550 USA.

1. Name: \_\_\_\_\_

2. Address: \_\_\_\_\_

3. Phone #: \_\_\_\_\_ E-mail: \_\_\_\_\_

4. Model: \_\_\_\_\_

Wing QC# \_\_\_\_\_ Fuselage QC# \_\_\_\_\_  
(QC numbers are stamped on wing and fuselage)

5. Date of Purchase: \_\_\_\_\_

6. Store Name: \_\_\_\_\_

Please call AirBorne Models at 925 371 0922 for any assistance in filling this form. Thank you very much for purchasing our product.

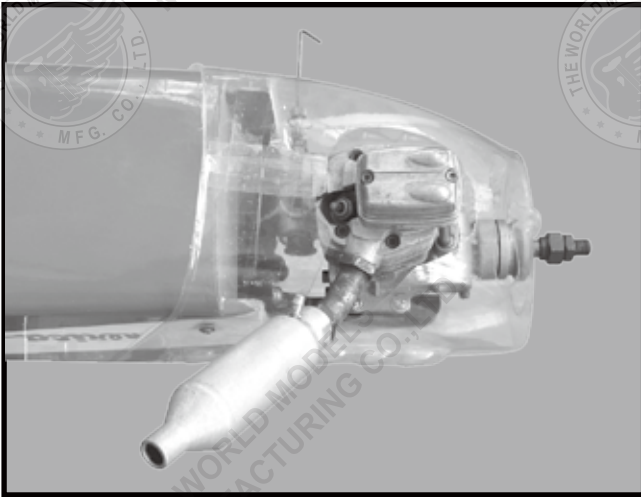


# Usage of the transparent 3D template

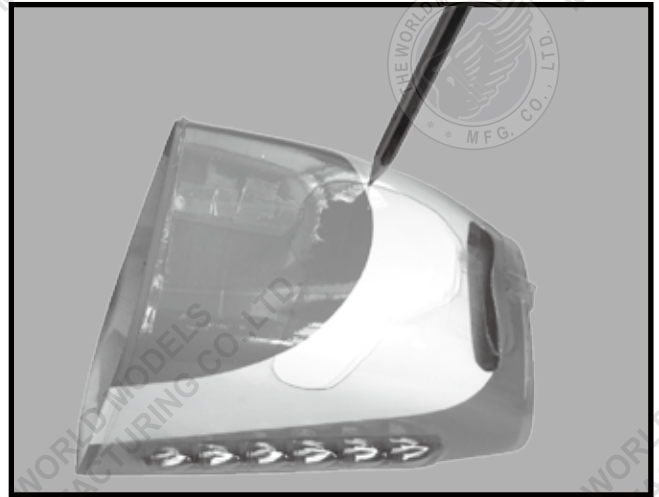


This transparent 3D template is used for position guidance of the actual cutting of the pre-painted cowling.

1



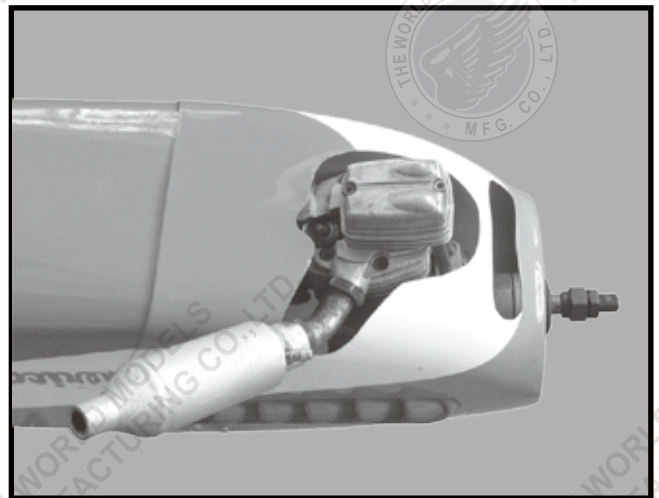
2



3



4



Simply cut the transparent 3D template to fit your engine and exhaust pipe, then slide onto the actual cowling and use as template to mark the openings required for final cutting.



# The World Models

---



**Ducted Fan**

**Pattern**

**Warbirds**

**Funfly**

**Scale**

**Electric**

**Sports**

**Glider**

**Trainer**

**Boat**

**Accessories**

**Covering**

(Lightex / Toughlon)



<http://www.theworldmodels.com>

---

---