

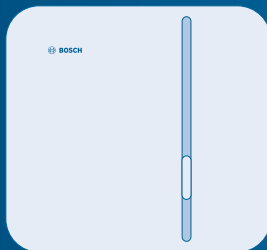
Bosch Smart Home

Smoke detector Instruction manual



BOSCH

Start making your home smart!



Please ensure that you have a Bosch Smart Home Controller as well as the Bosch Smart Home App, and that you have set both of them up successfully.



Please be sure to install the Bosch Smart Home Controller first.

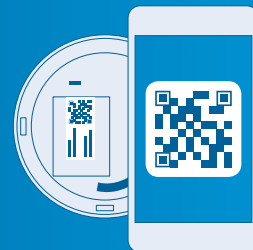
Set up your product in just three steps



► **Start the Bosch Smart Home App**



► **Select "Add device"**



► **Scan the QR code and follow the instructions**



You can also watch easy to follow installation videos on our website: www.bosch-smarthome.com/installation



Dear customer,

Congratulations on purchasing your Bosch Smart Home Smoke Detector. It will help you to make your home even safer and smarter. The Bosch Smart Home Smoke Detector will warn you to potential fires in your home and the integrated light will illuminate the escape route.

The Bosch Smart Home Smoke Detector is quickly and easily integrated into your Bosch Smart Home System, enabling you to receive alarm notifications via the Smart Home App to your smart device. When installed alongside Bosch Smart Home motion sensors and door window contacts the smoke detector doubles as an intruder alarm to warn off unwanted guests.

**We hope you enjoy your new product,
The Bosch Smart Home team**

TABLE OF CONTENTS

1.0 Product description	08	4.0 Indicators and controls	14	6.0 Mounting the smoke detector	20	9.0 Product details	32
1.1 Intended use	09	4.1 Product overview	14	6.1 Mounting instructions	20	9.1 Technical data.....	32
2.0 Box contents	10	5.0 Installation and setup	16	6.2 Fixing with screws.....	24	9.2 Declaration of conformity	33
3.0 Warning notices	12	5.1 Installation	17	6.3 Fixing with adhesive tapes	26	9.3 Faults in radio operation.....	34
3.1 Explanation of symbols	12	5.2 Activating the device	18	6.4 Functional test	28	9.4 Open-source software.....	34
3.2 Safety instructions.....	13			7.0 Maintenance instructions	30	9.5 Environmental protection and disposal	36
				7.1 Visual inspection	30	10.0 Further information	36
				8.0 Alarm and troubleshooting	31		
				8.1 Switching off the alarm.....	31		
				8.2 Faults and measures	31		

1.0 PRODUCT DESCRIPTION

The product is an EN 14604 standard network-enabled wireless smoke detector consisting of:

- ▶ Built-in audible alarm
 - On detection of smoke
 - On unauthorized entry (in conjunction with a motion sensor or door/window contact)
- ▶ Alarm LED
- ▶ Emergency light
- ▶ Large operating button
- ▶ Built-in long-life lithium-ion battery

The product reliably warns you of potential fires in your home. If smoke is detected both a visual and audible alarm is triggered. Where more than one Smoke Detector is connected to your Smart Home System if one alarm is triggered all connected alarms will sound.

1.1 Intended use

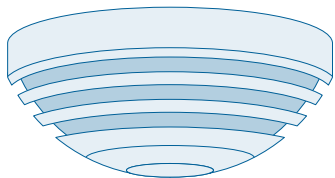
The product is intended for indoor use in residential buildings. It should only be used together with original Bosch Smart Home components.

- ▶ Follow the safety instructions and the directions in this manual and in the Bosch Smart Home App to ensure that the product is set up correctly
- ▶ Please note the details in the Technical Data section (see p. 32)
- ▶ Avoid installing in areas prone to high amounts of direct sunlight or near to sources of heat or cold

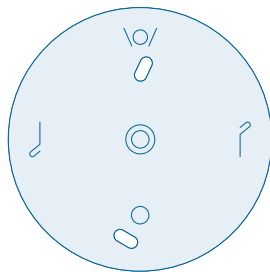


Do not modify the product in any way. Any other use is considered unintended use. We will not assume liability for any resulting damage.

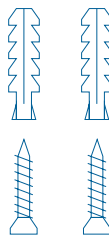
2.0 BOX CONTENTS



Smoke detector



Mounting bracket



2 plugs,
2 screws



Adhesive strip
(3M™ VHB™ 5915/5925/5930/5952
adhesive tape)



Batteries are supplied pre installed in the smoke detector.
Twisting into the mounting bracket switches on the smoke detector.

3.0 WARNING NOTICES

3.1 Explanation of symbols



Warning.

This alerts you to danger.



Info.

Indicates important information.

3.2 Safety instructions



Please do not open the smoke detector. The product does not contain any user replaceable parts. The smoke detector should not be dismantled. In case of fault, please contact our customer service team on 00800 8437 6278. Please observe the intended use.



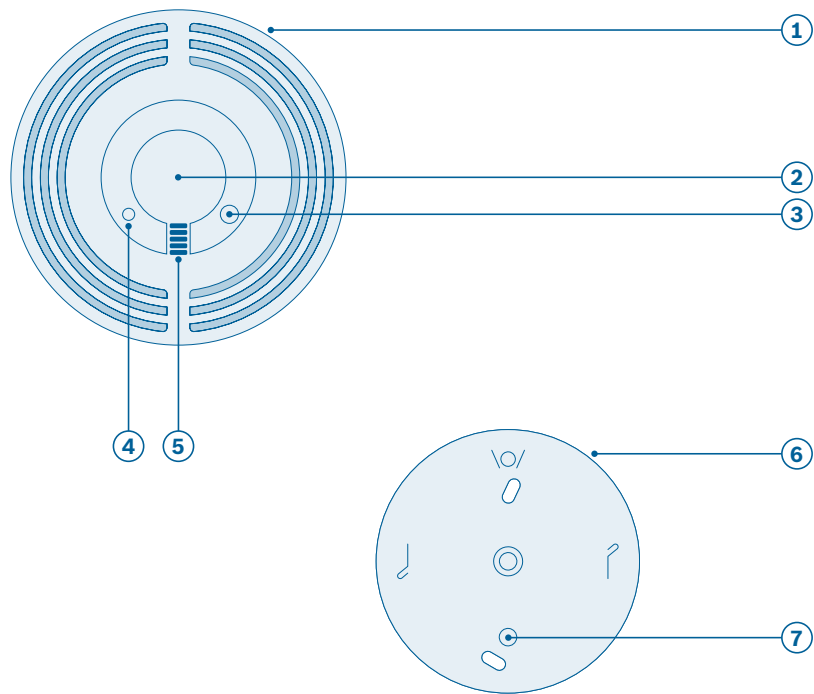
The product should only be mounted using the material provided or recommended in this manual. Do not paint or wallpaper over any of the devices. It is recommended that you replace the device after 10 years.



Batteries must not be exposed to excessive heat such as sunlight, fire, etc.

4.0 INDICATORS AND CONTROLS

4.1 Product overview



Item	Part	Explanation	
1	Smoke detector	-	
2	Operating button	Accessing and confirming functions	
3	Emergency light	Illuminates up the escape route	
4	Alarm LED	Red	Alarm or fault
		Orange	Process or update
		Green	Standby mode
5	Alarm	Audible signal	
6	Mounting bracket	-	
7	Emergency light marking	Helps during installation to direct the emergency light towards the escape route	

5.0 INSTALLATION AND SETUP



Before you start

Please ensure that you have a Bosch Smart Home Controller and the Bosch Smart Home App, and that you have set both of them up successfully.

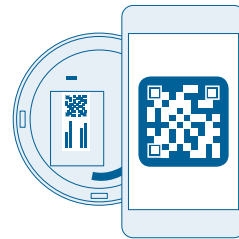


You can also watch easy to follow installation videos on our website:
www.bosch-smarthome.com/installation

5.1 Installation



Start the Bosch Smart Home App and select "Add device".



The app will prompt you to scan the QR code found on the back of the smoke detector.

5.2 Activating the device

The next step in the app is the activation of the smoke detector.

Twist the smoke detector into the mounting bracket.



The Smoke Detector is operational once it is twisted into the mounting bracket. Please note that inadvertently pressing the operating button will trigger a test alarm.



From this point, the app guides you through the installation process. You will find a detailed description in this instruction manual.

6.0 MOUNTING THE SMOKE DETECTOR

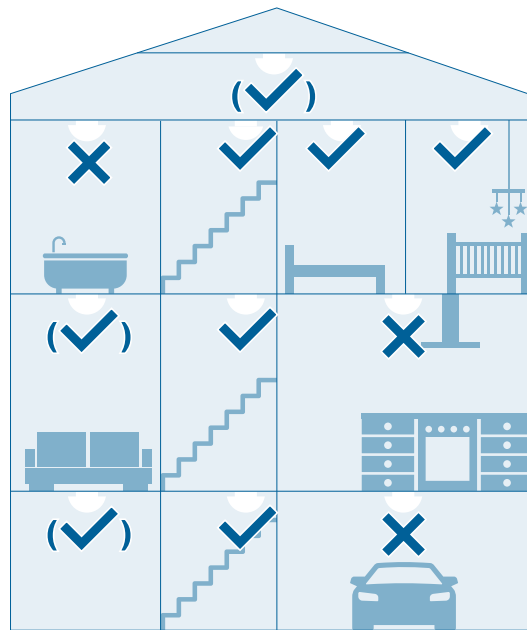
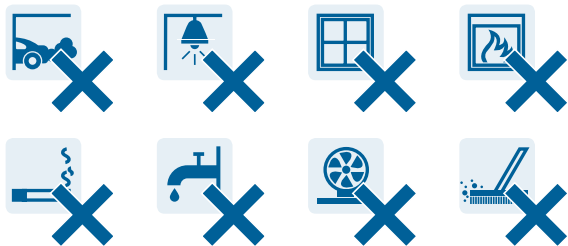
6.1 Mounting instructions



It is best practice to install several smoke detectors in your home to be fully protected. As a minimum we recommend that they are installed in every bedroom, kids room and in all hallways that serve as an escape route. For the maximum effectiveness we recommend that additional smoke detectors should be installed in living areas, attics and basements.



In order to prevent injury, the mounting instructions in this instruction manual must be followed and the general safety regulations observed.



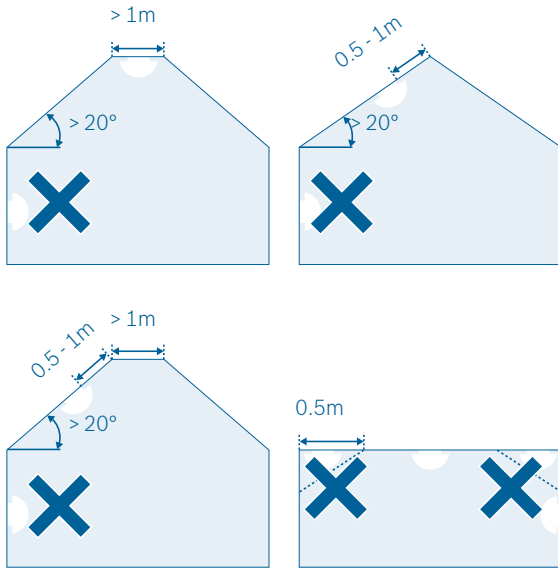
Poss.



Yes



No



The smoke detector should be mounted on the ceiling, the diagrams above gives guidance on best practice for installation locations.



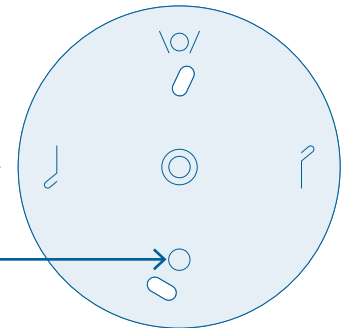
When choosing a mounting location and when drilling, pay attention to potential electrical cables and/or pipes that could be behind the wall.

The app will guide you through the following mounting steps. You can choose between mounting with either the screws or the adhesive strip.

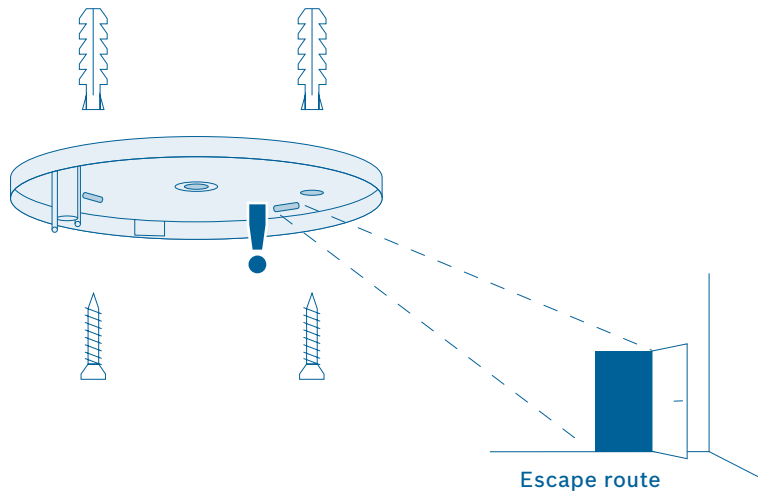
Ensure you have positioned the emergency light in the desired position.



There is a round recess on the inside of the mounting bracket. This shows the position of the emergency light.

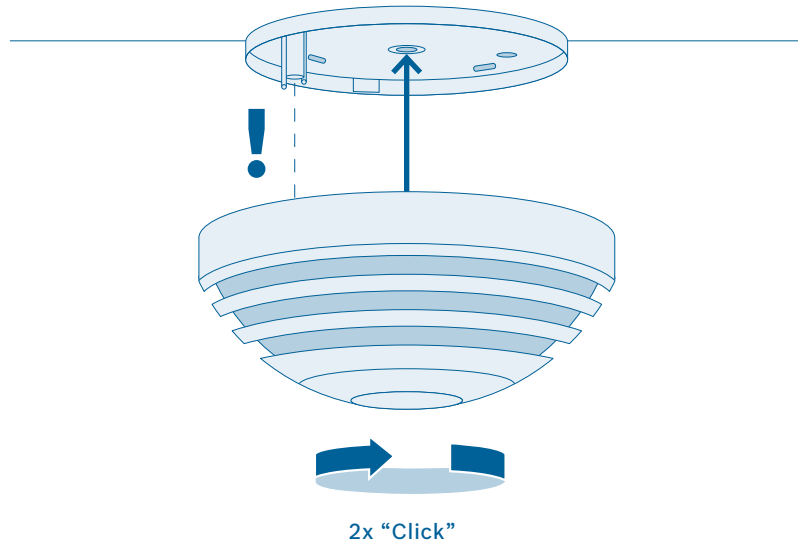


6.2 Fixing with screws



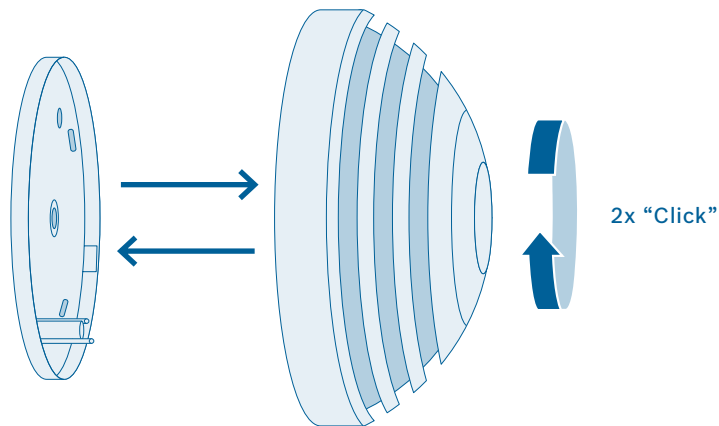
- ▶ Hold the mounting bracket in the desired position ensuring the emergency light is in the correct orientation

- ▶ Mark the drill holes
- ▶ Drill the holes and insert the plugs
- ▶ Position the mounting bracket and screw in place



- ▶ Now twist the smoke detector into the mounting bracket

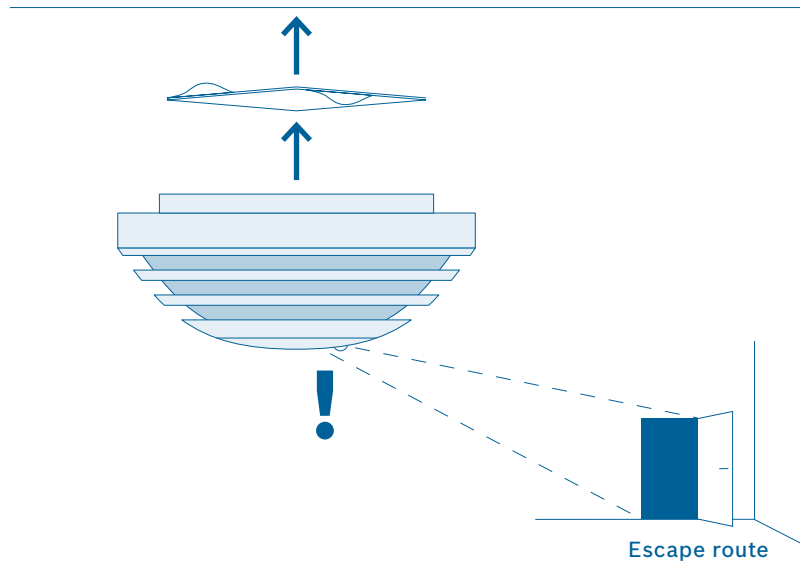
6.3 Fixing with adhesive tapes



- ▶ Twist the smoke detector into the mounting bracket



Please note when firmly pressing the smoke detector with the mounting bracket against the ceiling that inadvertently pressing the operating button will trigger a test alarm.



- ▶ Attach the adhesive strip to the mounting bracket and peel off the second protective film
- ▶ Now press the smoke detector with mounting bracket attached firmly against the ceiling
- ▶ Make sure the emergency light is pointing towards the escape route

6.4 Functional test

We recommend that you test your smoke detector immediately following installation and then again every month after.

- ▶ To do so, briefly press the operating button or start a functional test via the app.

The alarm will sound three times, the alarm LED will flash red and the emergency light will light up. Following a successful test the alarm LED flashes red every 10 seconds for 10 minutes. During this time the product will be muted.

If the signals described do not occur, the product is faulty. If this is the case, replace the product.



After a functional test or switching off the alarm, smoke detection will be deactivated for 10 minutes and the product will be muted.



There must be a functioning wireless network and internet connection in order for warnings to be sent in the event of a potential fire. Robert Bosch Smart Home GmbH is not able to offer a guarantee on the time it will take for this notification to be transmitted.



Please note that the emergency services number stored in the app will not be automatically called if the smoke detector detects smoke. If necessary, you always have to call the emergency services yourself!



You need to ensure that your mobile device is on and connected to a mobile communications network in order for it to receive warnings and notifications from the Smart Home Smoke Detector.

7.0 MAINTENANCE INSTRUCTIONS



We recommend you inspect and test your smoke detector on a monthly basis.

7.1 Visual inspection

- ▶ The smoke inlet openings along the sides and the sound outlets are not clogged (e.g. by dust, dirt or paint)
- ▶ If necessary, clean the smoke detector carefully with a damp cloth
- ▶ Check for any damage and that the bracket is still firmly fixed in place.
- ▶ Ensure that there is a clear space of 0.5 m around your smoke detector so smoke detection is not hindered (e.g. by furnishing).

8.0 ALARM AND TROUBLESHOOTING

8.1 Switching off the alarm



If you have multiple smoke detectors installed, an alarm can only be muted on the detector that detected the potential fire. This can be identified by the red flashing LED.

- ▶ Pressing the operating button on the triggering device will silence all other alarms at the same time.

8.2 Faults and measures

Audible signal	Visual signal	Cause	Fix
The alarm sounds once every 43 seconds.	The LED flashes red once every 43 seconds.	The battery level is low.	The battery itself cannot be replaced, the smoke detector should be replaced.

9.0 PRODUCT DETAILS

9.1 Technical data

Classification	Wireless smoke detector
Rated voltage	3 V lithium batteries (not replaceable)
Battery life	> 10 years (typical) ¹⁾
Type of protection	IP20
Ambient temperature	+5 °C to +55 °C
Storage temperature	-5 °C to +30 °C, 55 °C (for a short term, maximum of 14 days in total)
Radio frequency	868.3 MHz, 869.525 MHz
Wireless free-field range	≥ 100 m
Receiver category	SRD category 2
Duty cycle	At 868.3 MHz < 1 % per h At 869.525 MHz < 10 % per h
Maximum number of connectable devices	40
Volume at a distance of 3 m	> 85 dB(A)
Casing dimensions (W×H×D)	119 mm × 51 mm
Weight	165 g

¹⁾ 10 years based on typical storage temperature (-5 °C to +30 °C), typical battery temperature (-5 °C to +30 °C) and monthly functional test. High temperatures above 30 °C reduce the service life.

9.2 Declaration of conformity

Robert Bosch Smart Home GmbH hereby declares that the Bosch Smart Home Smoke Detector radio communication unit complies with Directive 1999/5/EC and is designed for use in all countries of the European Union.

The declaration of conformity and declaration of performance can be downloaded from www.bosch-smarthome.com



9.3 Faults in radio operation

Faults in radio operation (e.g. due to electric motors or defective electrical devices) cannot be ruled out. The radio range inside buildings may differ greatly from the radio range in free-field conditions. Apart from the

transmission power and the receiver characteristics, environmental influences such as humidity and structural characteristics may also influence radio operation.

9.4 Open-source software

This Bosch Smart Home product uses open-source software. You will find the license information for the components used on the opposite site.

core_cm3.h

Copyright (C) 2009-2013 ARM Limited. All rights reserved. Redistribution and use in source and binary forms, with or without modification, are permitted provided that the following conditions are met:

- ▶ Redistributions of source code must retain the above copyright notice, this list of conditions and the following disclaimer.
- ▶ Redistributions in binary form must reproduce the above copyright notice, this list of conditions and the following disclaimer in the documentation and/or other materials provided with the distribution.
- ▶ Neither the name of ARM nor the names of its contributors may be used to endorse or promote products derived from this software without specific prior written permission.

THIS SOFTWARE IS PROVIDED BY THE COPYRIGHT HOLDERS AND CONTRIBUTORS „AS IS“ AND ANY EXPRESS OR IMPLIED WARRANTIES, INCLUDING, BUT NOT LIMITED TO, THE IMPLIED WARRANTIES OF MERCHANTABILITY AND FITNESS FOR A PARTICULAR PURPOSE ARE DISCLAIMED. IN NO EVENT SHALL THE COPYRIGHT OWNER OR CONTRIBUTORS BE LIABLE FOR ANY DIRECT, INDIRECT, INCIDENTAL, SPECIAL, EXEMPLARY, OR CONSEQUENTIAL DAMAGES (INCLUDING, BUT NOT LIMITED TO, PROCUREMENT OF SUBSTITUTE GOODS OR SERVICES; LOSS OF USE, DATA, OR PROFITS; OR BUSINESS INTERRUPTION) HOWEVER CAUSED AND ON ANY THEORY OF LIABILITY, WHETHER IN CONTRACT, STRICT LIABILITY, OR TORT (INCLUDING NEGLIGENCE OR OTHERWISE) ARISING IN ANY WAY OUT OF THE USE OF THIS SOFTWARE, EVEN IF ADVISED OF THE POSSIBILITY OF SUCH DAMAGE.

9.5 Environmental protection and disposal

Electrical and electronic equipment that is no longer usable or is defective, or used batteries must be separated from other waste and recycled in an environmentally friendly manner (European Directive on Waste Electrical and Electronic Equipment). To dispose of old electrical and electronic equipment or batteries,

use your country-specific return and collection systems. Batteries must not be disposed of with household waste. Used batteries must be disposed of in the local collection systems.



10.0 FURTHER INFORMATION

You can find more detailed information on operating and maintaining the smoke detector in the online FAQs at www.bosch-smarthome.com/faq

You will also find all contact details on the rear side of this document.



Sale and transfer

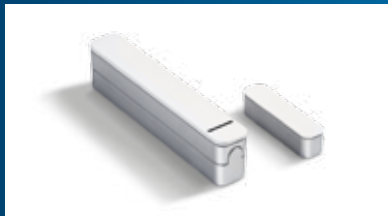
Before you transfer or sell your device, delete your personal information. To do this, reset the device to its factory settings (see online FAQs).

#BeSmarter

INTERCONNECTED SMART HOME PRODUCTS

Save on heating costs, protect your valuables, create mood lighting and much more: Bosch Smart Home offers a complete, intelligent system to make your life more comfortable, safer and more sustainable.

More at www.bosch-smarthome.com



Door/Window Contact



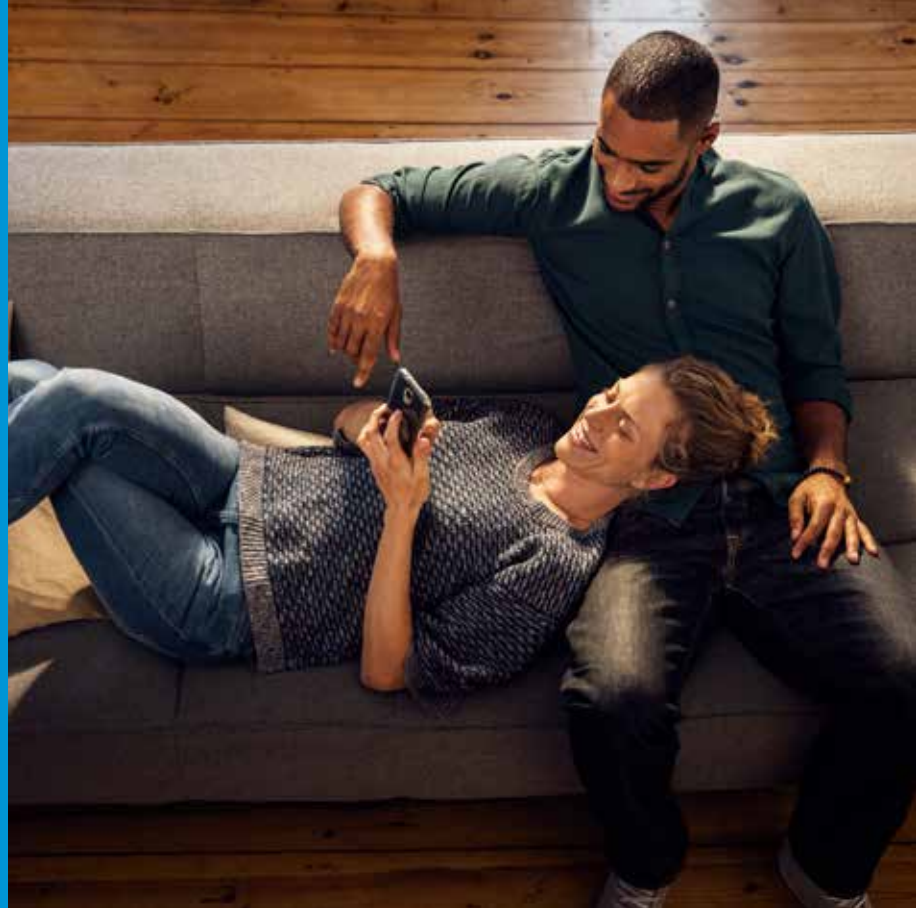
Motion sensor




Radiator Thermostat



Plug



 Robert Bosch Smart Home GmbH
Schockenriedstraße 17
70565 Stuttgart, Germany

 00800 8437 6278 (free for UK)
Mon–Fri 7:00 am–8:00 pm
Sat 8:00 am–6:00 pm

 service@bosch-smarthome.com



BOSCH

EN Important information for your Bosch Smart Home!

Robert Bosch Smart Home GmbH declares that this Bosch Smart Home wireless radio equipment is in compliance with the Directive 1999/5/EC (until 12th of June 2017) and Directive 2014/53/EU (from 13th of June 2017). The full text of the EU declaration of conformity is available at the following internet address:

www.bosch-smarthome.com/uk/en/EU-declarations-of-conformity

DE Wichtige Zusatzinformationen zu Ihrer Bedienungsanleitung!


Hiermit erklärt die Robert Bosch Smart Home GmbH, dass dieser Bosch Smart Home Funkanlagentyp der Richtlinie 1999/5/EG (bis 12. Juni 2017) und der Richtlinie 2014/53/EU (ab 13. Juni 2017) entspricht. Der vollständige Text der EU-Konformitätserklärung ist unter der folgenden Internetadresse verfügbar:

www.bosch-smarthome.com/de/de/CE-Konformitaetserklaerungen


FR Informations complémentaires importantes pour vos notices d'utilisation!

Par la présente Robert Bosch Smart Home GmbH, déclare que cet équipement radioélectrique Bosch Smart Home est conforme à la directive 1999/5/CE (jusqu'au 12 juin 2017) et à la Directive 2014/53/UE (à partir du 13 juin 2017). Le texte complet de la déclaration UE de conformité est disponible à l'adresse internet suivante :

www.bosch-smarthome.com/fr/fr/UE-declarations-de-conformite

 Robert Bosch Smart Home GmbH
Schockenriedstraße 17
70565 Stuttgart, Germany

 00800 8437 6278 (toll-free AT, DE, FR, UK)

 service@bosch-smarthome.com
www.bosch-smarthome.com

8-750-000-332 V001



BOSCH