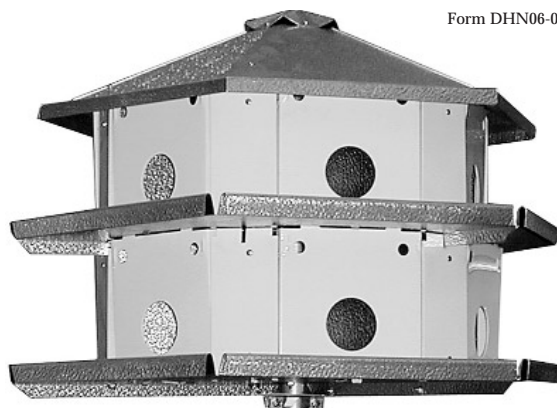


Instructions and Parts List for DH-12N Martin House



Note: It is necessary to install a post before house is put up, but the house can be assembled at any time.

Check parts against this list before starting assembly. If any shortages are found, refer to Packing Slip for claim instructions.

HOUSE PARTS PACKED IN THIS BOX

<u>Item</u>	<u>Qty.</u> <u>Req.</u>	<u>Description</u>
1	6	Floor sections
2	3	Roof sections
3	12	Doors
4	12	End panels
5	6	1/8"x12-5/8" vertical rod (page 3)
6	6	Straight dividers
7	6	Flanged dividers
8	1	Roof finial
9	12	Door rods
10	3	Ceiling sections
11	12	Door closers (in paper sack)

This house is designed for mounting on a 1-1/4" outside diameter tube or on a 1" standard pipe (1-5/16" outside diameter). Model "DP-16 Telescoping Pole" will work with this house.

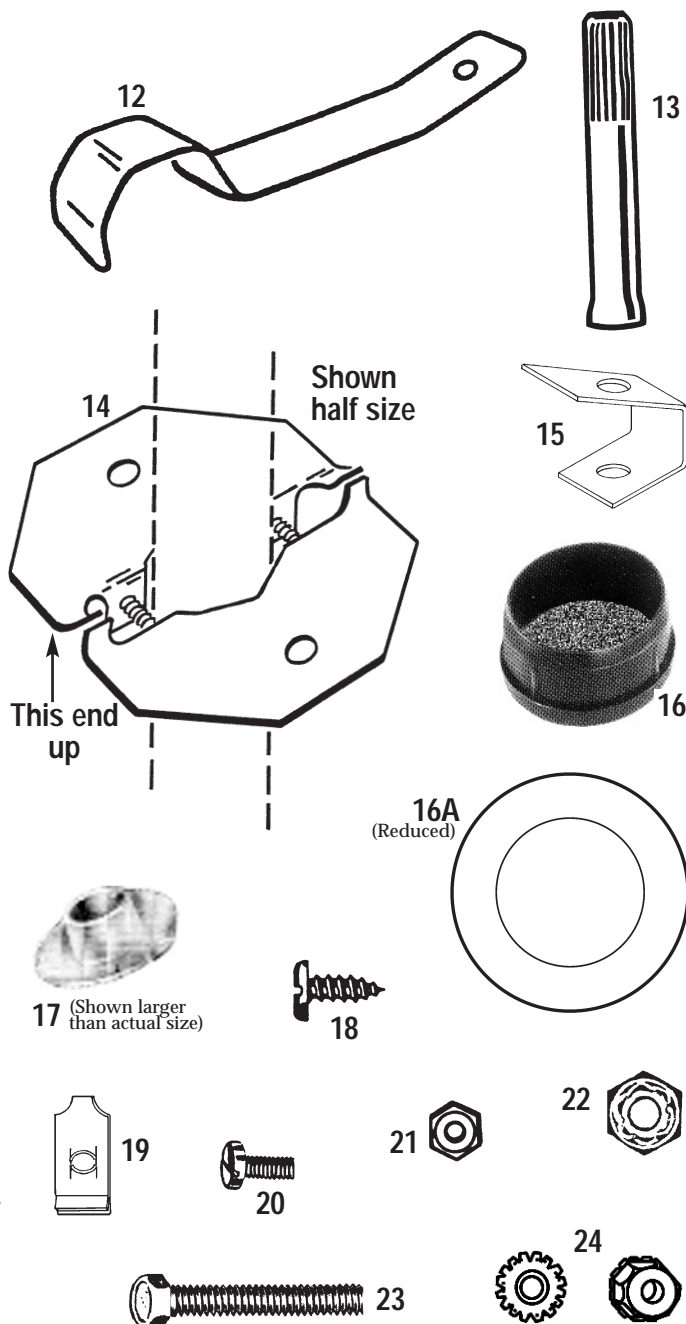
PARTS IN LARGE PLASTIC BAG

12	12	Floor clips
13	1	Kit wrench
14	2	Mounting brackets
15	6	Roof adapter
16	1	1-1/4" end cap
16A	1	1-1/4" washer

PARTS IN SMALL PLASTIC BAG*

*NOTE: Small bag is packed inside large bag

17	1	#10 plastic button
18	6	#6x3/8" sheet metal screws
19	6	Flat "C" nuts
20	57	6-32x5/16" pan head machine screws
21	57	6-32 hex nuts
22	2	10-24 Insert Nuts
23	2	10-24x1" hex head machine screws
24	12	6-32 Keps nuts

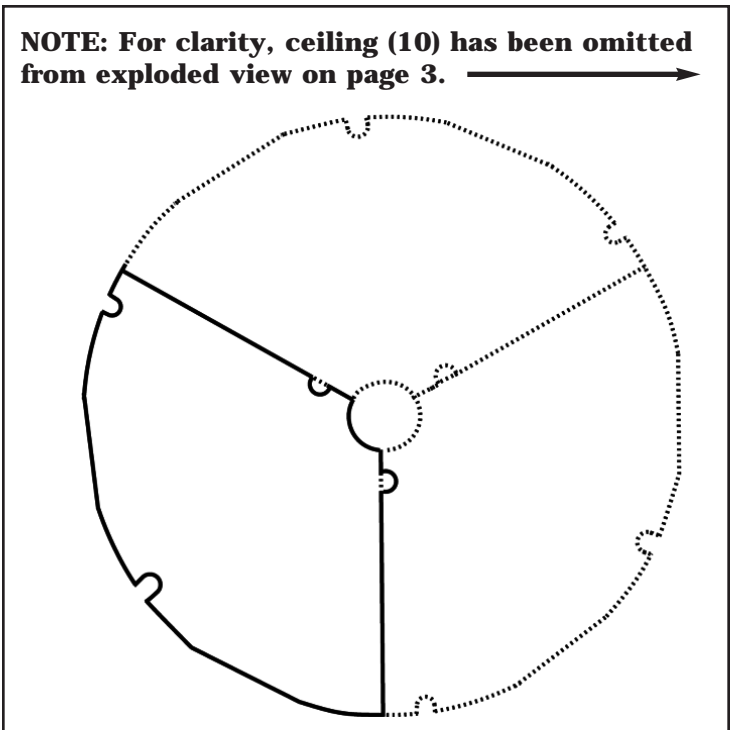
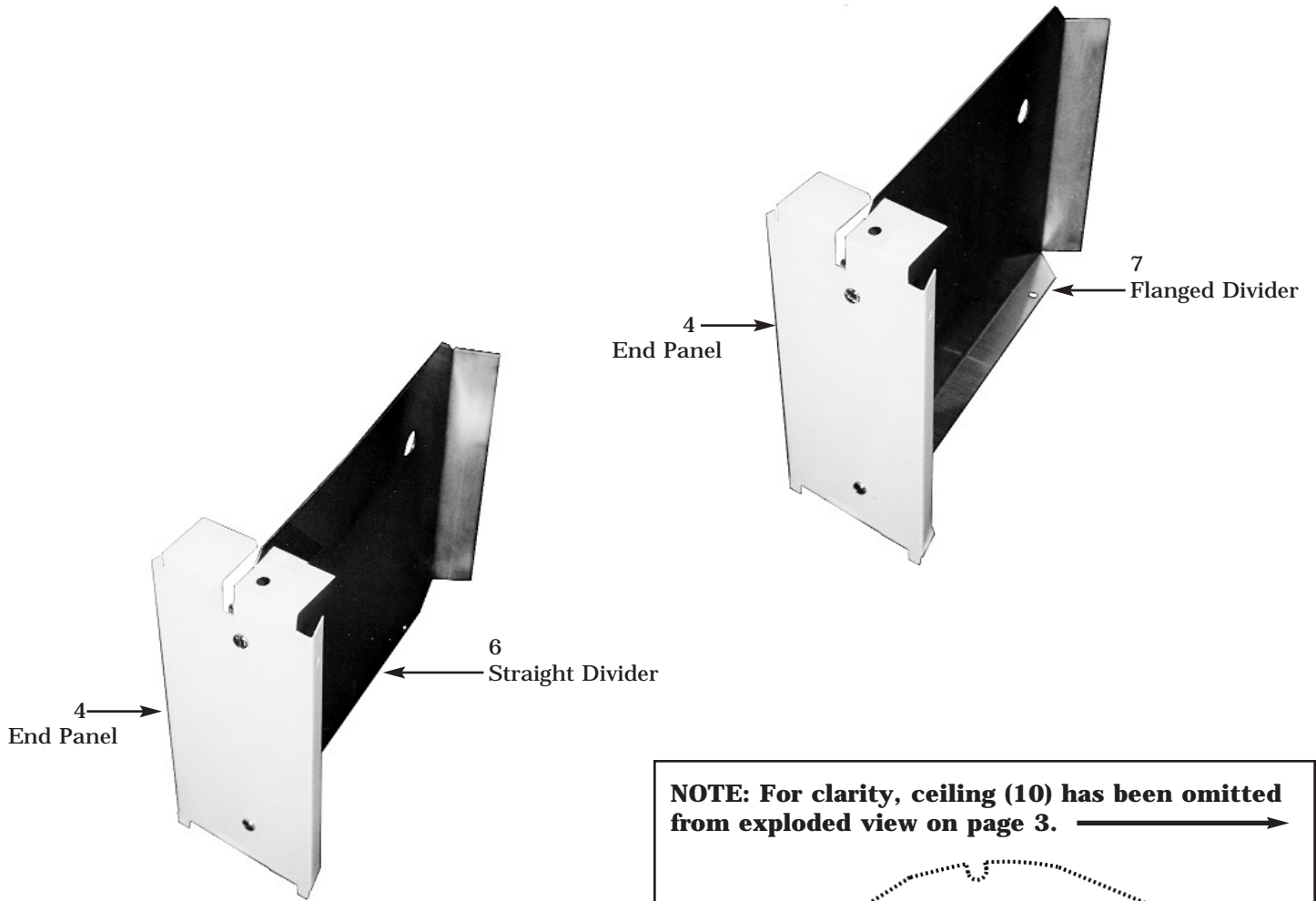


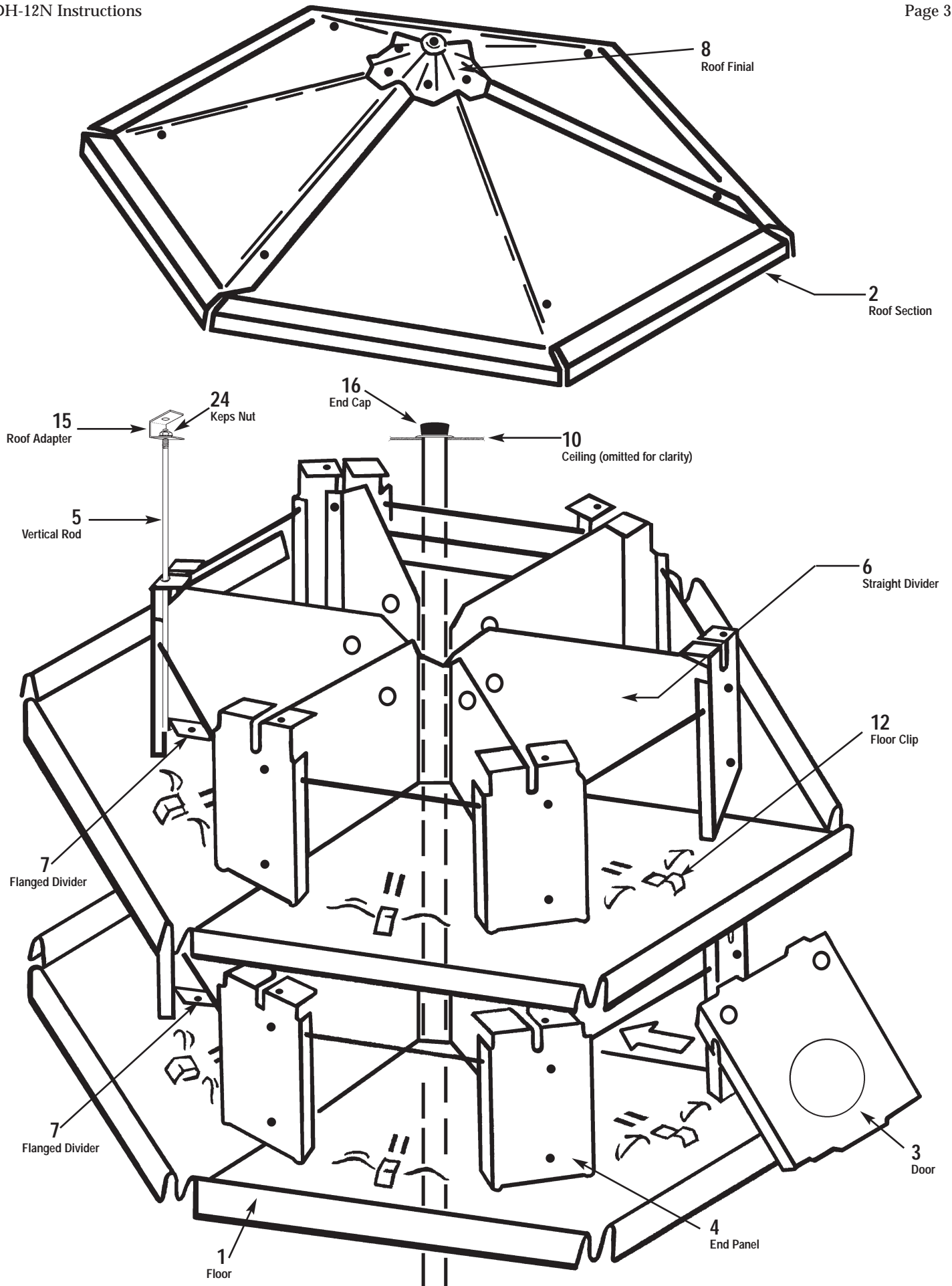
NOTE: Refer to page 3 for exploded view of assembly.

Two different dividers/end panels

In order to clarify, please refer to expanded view on page 3 and photos below. You will note there are two different combinations of dividers as shown.

These are all covered in the step-by-step instructions.







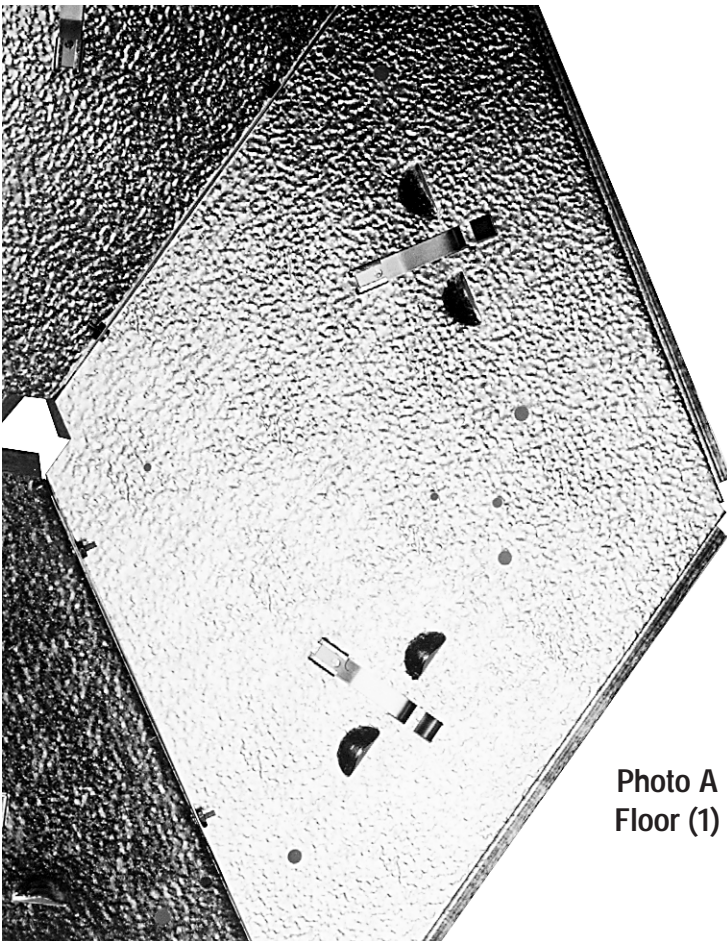
Assembled house

NOTE: Install all nuts and screws slightly loose.

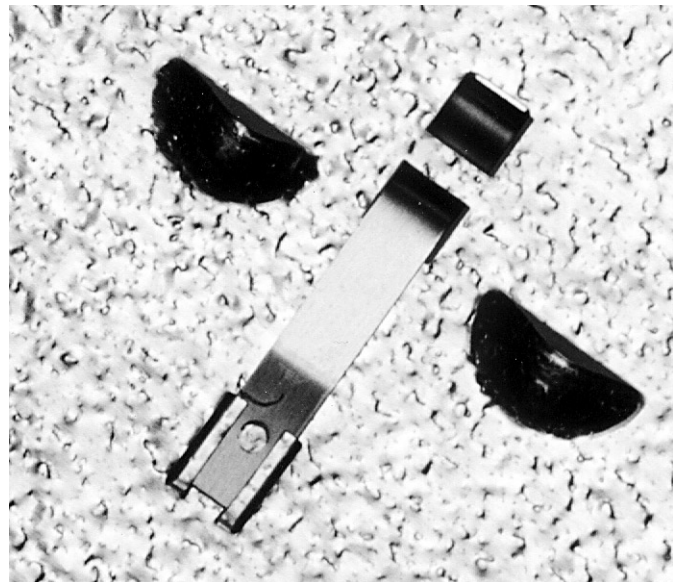
Unit is assembled using two 6-32x5/16" pan head machine screw (20) and two 6-32 hex nuts (21) at each step in assembly. A kit wrench (13) is provided for this purpose. You will also need a small screw driver. By pre-aligning one hole with an awl or nail and inserting nut and screw in other hole, it should help speed up these steps. Where possible, head of screw should be up on outside of assembly. By holding nut in place with kit wrench and turning screw with screw driver, assembly may be easier.

PRE-ASSEMBLE

1. Six floor sections (1) - (Photo A). Install 12 floor clips (12) as shown - (Photo B). This is best done by turning each floor section over and inserting clips into slots provided by entering clips from front thru the first rectangle hole and sliding part forward.



**Photo A
Floor (1)**



**Photo B
Floor Clip (12)**

2. Using three straight dividers (6) and three floor sections (1) assemble per Photo C. Also, Photo A shows installation from bottom of house. **Be sure that screws and nuts are facing to the right as shown in Photo A.**

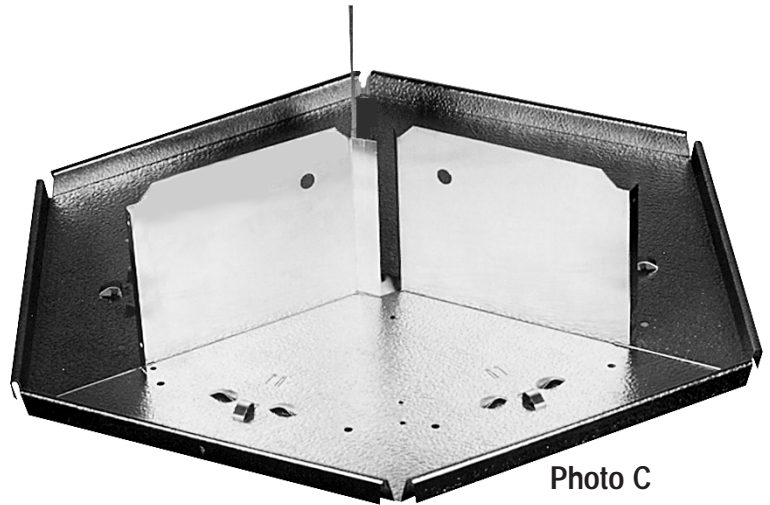


Photo C

3. The three flanged dividers (7) can now be added to floor. Proceed by adding the lower end panels (4).

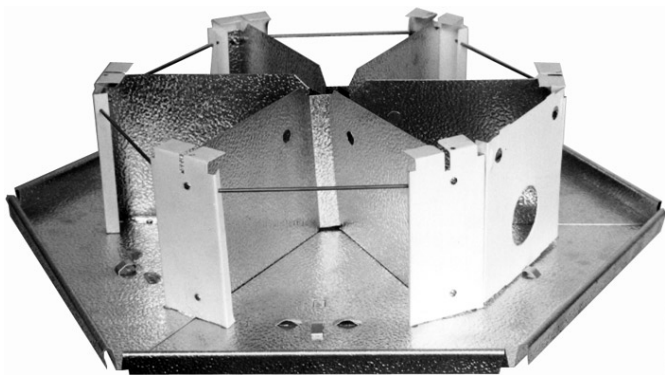


Photo D

4. At this point, using a screw driver, push tabs on bottom of panel ends 90 degrees toward center of house on underside of bottom floor. This needs to be done by holding floor and panels firmly in place. Door rods (9) can now be installed as shown in Photo D. It will be necessary to spring the end panels open slightly to insert wires into end panel holes. Doors will be added later.

5. Bottom floor assembly is now complete and you can now tighten all screws and nuts. See Photo D.

6. Repeat steps #2, #3, #4 and #5 for upper floor assembly, except this time **do not tighten all screws and nuts**. You will be instructed to do so in a later step.

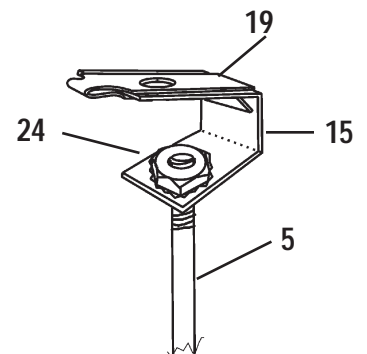
7. Place second story over first story and align so seams on floor of second story are over the seams on first floor. Make sure tabs on bottom of end panels engage with slots in floor.

Push tabs on bottom of panel ends 90 degrees, toward center of house.

8A. By using six vertical rods (5), thread one 6-32 Keps nut (24) on one end of each until thread appears on end of rod.

8B. Using the roof adapter (15), insert over the other end of rod and push until flush with Keps nut (24), per sketch at right.

8C. Install one flat C nut (19) on each of the six roof adapters (15), flat side up. (See Sketch B & C)



Sketch B & C

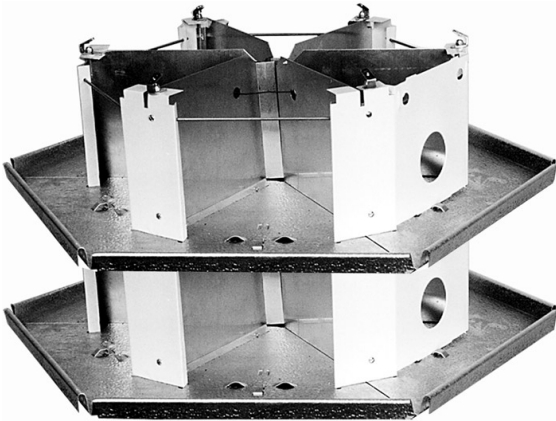


Photo E

9. Referring to Page 2, the hole in the top of each end panel will now be used to locate each vertical rod. Using carton or a small waste basket to support house assembly, thread vertical rod through house, going through floors and ends and out through bottom floor. Start a 6-32 Keps nut (24) on each rod; then tighten all rods until almost snug. Locate the flat C nut (19) so inside is towards center of house.

Note: Do NOT tighten further at this point.

10. Screws and nuts for second floor should be tightened. Install door rods (9) for second floor.

11. See Photo E for complete assembly to this point. Doors are shown for reference, and will be added later.

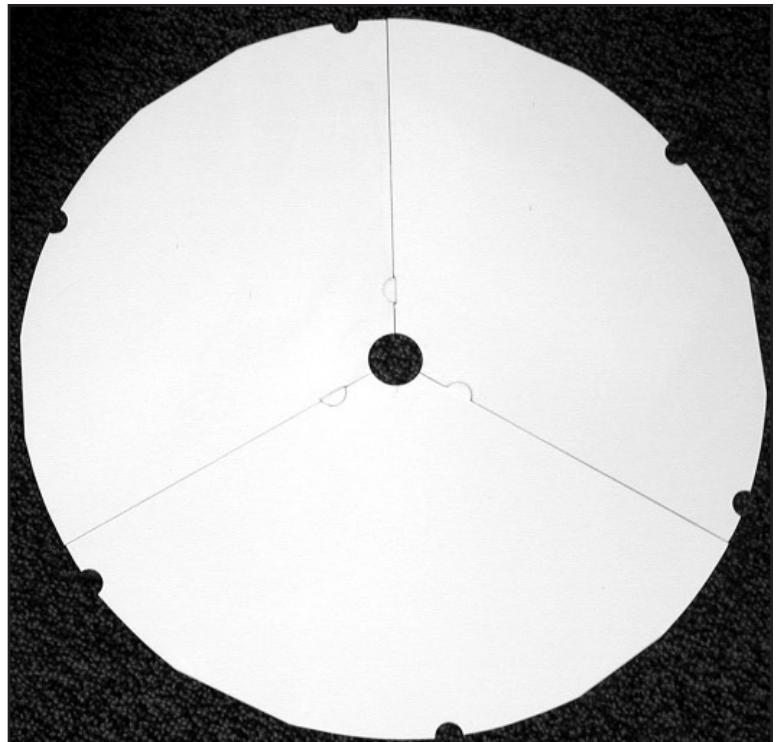
POST ASSEMBLY

(It is recommended the house be installed on assembled post BEFORE placing post in the ground.)

1. You will need 1-1/4" O.D. top section post for this house. Because the unit needs to be put on post for final assembly, a 3-section post is advised, so work can be done on top section. (DP-16 post is recommended.)

2. Measure down 13-1/4" from top end of post, and put on one pair of mounting brackets (14) using two 10-24x1" hex head machine screws (23) and two 10-24 insert nuts (22). These should be tightened until quite snug.

3. Place house over end of post and lower to mounting bracket. Unit should be placed where one set of floor dividers nest over slot in mounting bracket on underside of floor.



4. Using three ceiling sections (10), place around post and locate cutouts along outer edge and adjacent to roof adapters (15). Tabs on ceiling are to go over next ceiling section as shown in photo.

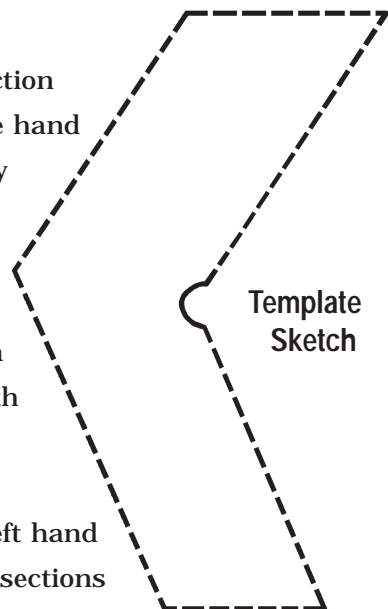


Place 1-1/4" washer (16A) over post. Using plastic cap (16), tap down over post until snug. This will hold ceiling (10) in place.

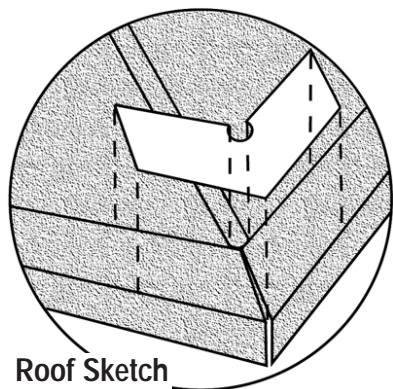
Note: If this assembly seems loose, readjust clamps at bottom of house to tighten.

ROOF ASSEMBLY

1. Take a roof section (2), and by using a strong table, place center of roof section upside down along edge of table. (Turned edge up.) By firmly holding with one hand on one side along inside edge center line, gradually form roof to approximately 30 degrees, by pushing other side up using flat of your hand. Included is a template sketch (at right), that can be traced to cardboard and cut out, to guide you on this. Repeat for other two roof sections. This should be checked



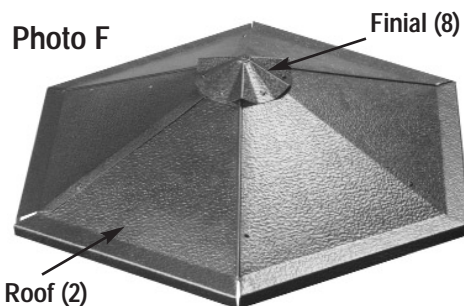
by placing your cardboard template on flat area on base of roof over corner. (See roof sketch with template).



2. Taking the roof (2) sections, overlap so the left hand flange covers the right hand part. Fasten three sections together with screw and nut at each joint at lower edge (not tight). Using the finial (8) fasten to roof assembly using six screws and nuts. Tighten to a snug fit for roof assembly. This should give a close fit at eaves of house. (Photo G)

***While the three screws and nuts used in starting assembly will be removed later, leave in position for the present.**

3. Take the assembled roof and place it over the two bottom sections of house on pole. This is to check the alignment of roof adapters (15). If okay, remove the three *temporary screws and nuts; replace by using six #6x3/8" sheet metal screws (18), fastening roof to the roof adapters (15).



4. Install the doors by slipping a door (3) over the door rods (9) and hooking the slot so doors will pivot. Do not close completely until all doors are hung. Add #10 plastic button (17) to hole in center of roof.

Check bottom of house to see that vertical rods (25) and 6-32 Keps nuts (24) are **snug**. (Do not over-tighten.)

<p>DOOR CLOSERS. Use door closers (11) to close house during winter months. This keeps unwanted species (i.e. house sparrows) from becoming entrenched in the house when martins are not present.</p>	
--	--



For replacement parts or accessories contact:



Nature House Inc.

Purple Martin Junction, P.O. Box 390, Griggsville IL 62340-0390

Customer Service: 800-255-2692

Fax: 217-833-2123

E-mail <nathouse@adams.net>

Nature House products offer safety as a feature, not as an option

Please use product code number when ordering parts
DH-12N Martin House

HOUSE PARTS PACKED IN THIS BOX

<u>Product Code #</u>	<u>Item</u>	<u>Qty. Req.</u>	<u>Description</u>
20422	1	6	Floor sections
20428	2	3	Roof sections
25025	3	12	Doors
20424	4	12	End panels
65651	5	6	1/8"x12-5/8" vertical rod
20426	6	6	Straight dividers
20427	7	6	Flanged dividers
20430	8	1	Roof finial
20438	9	12	Door rods
20442	10	3	Ceiling sections
25075	11	12	Door closers

PARTS IN LARGE PLASTIC BAG

20432	12	12	Floor clips
27300	13	1	Kit wrench
20434	14	2	Mounting brackets
20440	15	6	Roof adapter
50550	16	1	1-1/4" end cap
20510	16A	1	1-1/4" washer

PARTS IN SMALL PLASTIC BAG*

50560	17	1	#10 plastic button
35250	18	6	#6x3/8" sheet metal screws
35286	19	6	Flat "C" nuts
35263	20	57	6-32x5/16" pan head machine screws
35279	21	57	6-32 hex nuts
40525	22	2	10-24 insert nuts
35276	23	2	10-24x1" hex head machine screws
35252	24	12	6-32 Keps nuts

Call customer service (page 7) to receive a catalog of products (no replacement parts) or visit us online at:
<http://www.naturehouseinc.com>