

Aerobika®

Oscillating Positive Expiratory Pressure Therapy System

Sistema de tratamiento con presión
espiratoria positiva oscilante



Instructions for Use | Instrucciones de Uso

Manufactured for:

Monaghan Medical Corp.
5 Latour Ave., Suite 1600
Plattsburgh, NY 12901
☎ +1-800-833-9653
☎ +1-518-561-5088
✉ customerservice@monaghanmed.com
www.monaghanmed.com

Manufactured by:

Trudell Medical International
725 Third Street
London, Ontario, Canada N5V 5G4

R_x ONLY



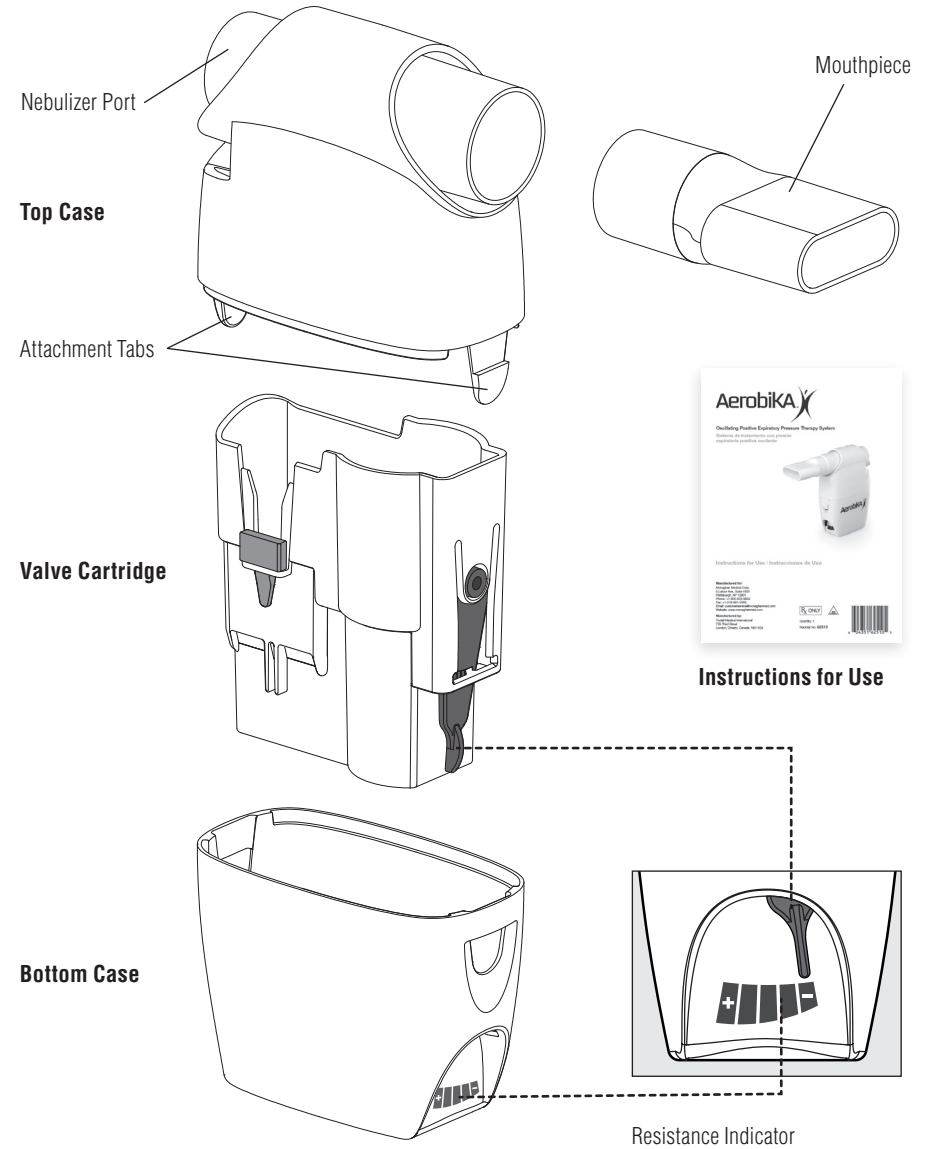
Quantity: 1

Reorder No.	62510	10
Reorder No.	62100	100



UNCONTROLLED WHEN PRINTED

FIGURE 1



An electronic version of these Instructions for Use is available for download at www.monaghanmed.com

INTENDED USE

The **Aerobika**® Oscillating Positive Expiratory Pressure Therapy System is intended for use as a Positive Expiratory Pressure (PEP) device. The **Aerobika**® Oscillating PEP device may also be used simultaneously with nebulized aerosol drug delivery. The device is intended to be used by patients capable of generating exhalation flow of 10 lpm for 3–4 seconds.

CAUTIONS

- Do not leave the device unattended with children. It is not a toy.
- Do not press attachment tabs when the case is disassembled. Doing so could break the tabs and prevent proper assembly of the device.
- Ensure contraindications are observed.
- Federal (USA) law restricts the sale of this device on or by the order of a physician.

CONTRAINDICATIONS

Use of the **Aerobika**® Oscillating PEP device is not recommended for the following conditions

- Patients unable to tolerate the increased work of breathing
- Intracranial pressure (ICP) > 20 mm Hg
- Hemodynamic instability (blood pressure instability)
- Recent facial, oral, or skull surgery or trauma
- Acute sinusitis
- Epistaxis (bleeding nose)
- Esophageal surgery
- Nausea
- Active hemoptysis (bleeding from lungs)
- Untreated pneumothorax (untreated collapsed lung)
- Known or suspected tympanic membrane rupture or other middle ear pathology

WARNING

Use of this device at excessive pressures may have adverse effects. Expiratory pressures above 20 cm H₂O in patients sensitive to increased transpulmonary pressure may develop one or more of the adverse side effects listed below. Expert clinical judgment should be exercised in the selection of the appropriate setting for each individual patient. Failure to match the appropriate resistance setting on the Adjustment Indicator with the patient's expiratory flow may result in failure to achieve therapeutic objectives of oscillatory PEP therapy or one or more adverse side effects listed below.

Adverse reactions may include

- Increased work of breathing that may lead to hypoventilation and hypercarbia
- Increased cranial pressure
- Cardiovascular compromise
 - Myocardial ischemia
 - Decreased venous return
- Air swallowing with increased likelihood of vomiting and aspiration
- Claustrophobia
- Pulmonary barotraumas

SETTING UP THE AEROBIKA® OSCILLATING PEP

For device descriptions see Figure 1.

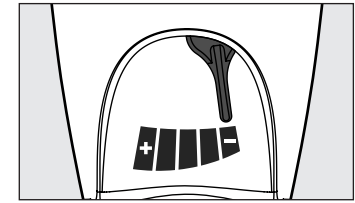
Before use, ensure these instructions have been read and are kept available at all times. If you have questions about the performance or usability of this product, please contact your healthcare professional prior to use.

DETERMINING PROPER RESISTANCE SETTING

The **Aerobika**® Oscillating PEP device should be set up by a healthcare professional using the following steps:

1. Start with the Resistance Indicator at the lowest setting. (Fig. 2)
2. With the patient in a comfortable seated position, have them inhale through the device taking a deeper breath than normal, but not to total lung capacity, then exhale briskly but not forcefully through the device.
3. Resistance should be set so exhalation lasts for 3–4 times longer than inhalation. Resistance can be increased by moving the indicator to the left. To reduce resistance, move the indicator back to the right.

FIGURE 2



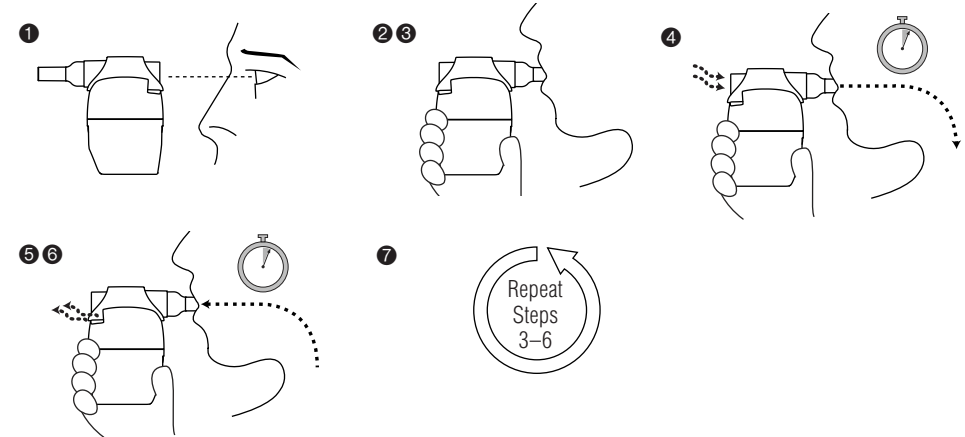
NOTE: Selection of the proper resistance setting will produce the desired inspiratory:expiratory flow ratio of 1:3 or 1:4 for 10–20 minutes without excess fatigue.

4. Patients should be reevaluated periodically or with any change in status. As airways become less congested, more resistance will be needed to maintain inspiratory:expiratory ratios.

CAUTION: The resistance setting should be adjusted as recommended by your healthcare professional.

PROPER TECHNIQUE FOR USING YOUR AEROBIKA® OSCILLATING PEP

Treatments should be conducted twice daily or as directed by your healthcare professional.



1. Before use carefully examine the device. Replace immediately if any defect is noticed. Always ensure the Resistance Indicator is positioned as prescribed by your healthcare professional. Gently press the two halves together to make sure the Attachment Tabs are engaged.
2. The **Aerobika**® Oscillating PEP can be used in any orientation. It is recommended that treatments be done in a comfortably seated position.
3. Put the mouthpiece in mouth and close lips around it to ensure an effective seal. Make sure your hand does not block the exhalation path on the back of the device.
4. Inhale through the device taking a deeper breath than normal, but do not totally fill your lungs. Hold your breath for 2–3 seconds before exhaling.
5. Exhale actively, but not forcefully, through the device. Ideally, exhalation should last 3–4 times longer than inhalation. Keep your cheeks flat and firm to maximize treatment effectiveness. Ensure you maintain a good seal on the mouthpiece for the duration of your treatment.

- Continue taking deep breaths and long exhalations for 10–20 breaths, or as instructed by your healthcare professional. After at least 10 breaths, perform 2–3 ‘huff coughs’ to clear your airways. Your healthcare professional will instruct you on the proper technique. For maximum efficacy, try to suppress coughing until the end of your treatment.
- Repeat steps 3–6 for 10–20 minutes or as prescribed by your healthcare professional. The entire procedure should be performed at least twice a day on a regular basis, and increased to 3–4 times per day if you are producing a lot of mucus.
- The goal is to keep your lungs clear and ventilatory capacity up. Continue to use your treatments on a regular basis even if you are bringing up just a little mucus.

CAUTION: If you feel dizzy or lightheaded, or have any other discomfort during treatment, discontinue therapy and contact your physician or healthcare provider.

HOW TO USE YOUR AEROBIKA® OSCILLATING PEP WITH YOUR NEBULIZER

The **Aerobika**® Oscillating PEP device may also be used with a small volume nebulizer with a 22 mm adapter. Your healthcare professional will advise which medication to use for combined treatments.

Medications which open your airways (eg. albuterol) or help to thin mucus (eg. hypertonic saline) would be good choices to use with your **Aerobika**® Oscillating PEP because they would help remove or thin the mucus in your lungs. Medications you want to stay in your lungs, like antibiotics, should be taken after you have completed your treatment.

- Ensure you have read and understood the instructions provided with your nebulizer prior to starting your treatment.
- Ensure your nebulizer is set-up correctly and medication has been added to the nebulizer cup. Remove the mouthpiece (or mask) from the nebulizer.
- Attach the nebulizer to the Nebulizer Port of the **Aerobika**® Oscillating PEP, as shown in Figure 3.
- Switch on the compressed air source, and complete your combined treatment using the breathing technique outlined above.

NOTE:

- No adapter is required if used with the **AeroEclipse**® brand of Breath Actuated Nebulizer.
- Always ensure the **Aerobika**® Oscillating PEP mouthpiece is used otherwise the device will not work properly. (See Figure 3)
- If used in combination with a nebulizer, the device should be cleaned before next use to remove any residue that may have deposited on exhalation.

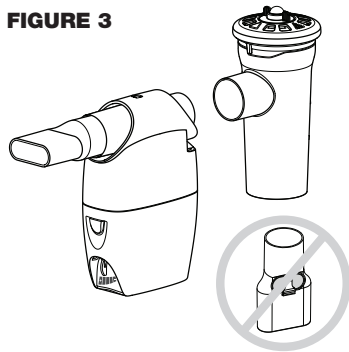
CLEANING AND DISINFECTING YOUR AEROBIKA® OSCILLATING PEP DEVICE

1. CLEANING INSTRUCTIONS

The **Aerobika**® Oscillating PEP device will disassemble into four parts for cleaning: the mouthpiece, top case, bottom case and valve cartridge. If necessary, the **Aerobika**® Oscillating PEP may be cleaned after each treatment.

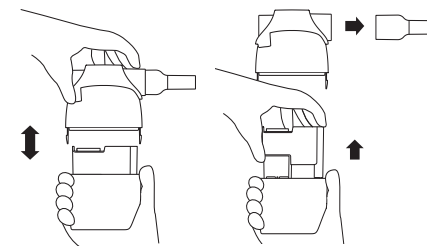
Healthcare providers should always use clinical judgment to select the appropriate Cleaning (1) and Disinfection (2) method and frequency, based on the severity of the patients’ disease state.

FIGURE 3



A. TAKING THE DEVICE APART

- Press the Attachment Tabs on either side of the device. Holding the tabs in, gently pull up on the top case until the two parts separate.
- Remove the valve cartridge. **Do not disassemble any part of the cartridge.**
- To remove the mouthpiece, grip firmly and rotate while pulling away from the device.



B. CLEANING THE DEVICE

SOAP AND WATER

- Wash the four parts in a solution of lukewarm clean water and liquid dish detergent, allowing the parts to soak for 15 minutes. Agitate gently.
- Rinse in warm water.
- To dry, shake the parts to remove any excess water. Allow parts to air dry thoroughly before you put the parts back together.



OR DISHWASHER

- The four disassembled parts may be washed in a dishwasher by securing parts in a basket on the top rack. Wash in a normal wash cycle with dishwasher detergent ensuring use of rinse aid (eg. Jet Dry®).
- If excess water remains, shake the parts and allow to air dry thoroughly before reassembly.
- Dishwashing with overly dirty dishes is not recommended.



C. REASSEMBLING THE DEVICE

- Insert the valve cartridge into the bottom case. If it does not slip easily into place, rotate 180° and try again.
- Connect the top and bottom cases until you hear both Attachment Tabs ‘click’ (this may occur simultaneously). Ensure the tabs are engaged by firmly pressing the two halves together.
- Reattach the mouthpiece.

TIP – Tap water can be high in minerals which may result in scale build-up on the device. If this is noticed, soak the disassembled device in a solution of 1 cup vinegar and 1 cup water for 1 hour, then wash as normal.

2. DISINFECTION INSTRUCTIONS

The **Aerobika**® Oscillating PEP device may be disinfected weekly using any of the following methods. Prior to disinfection, follow cleaning instructions. Do not dry or reassemble the device.

HIGH LEVEL DISINFECTION

If considered clinically necessary for the patients’ disease state, the device may be cleaned **after each use** and disinfected **once each treatment day**. **STERILE water must be used for rinsing.**

A. BOILING

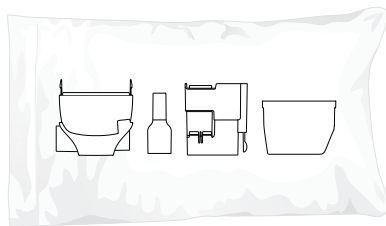
Place the four disassembled parts in a pot when boiling point has been reached and allow to boil for 5 minutes. Remove from water and allow parts to cool and air dry thoroughly before reassembly.

NOTE: Place a small rack, on the bottom of the pot to prevent plastic parts from coming in contact with the hot bottom.

B. MICROWAVE STEAM BAG

The four disassembled parts may be disinfected in the microwave in a steam cleaning bag (i.e. Quick-Clean[®] MicroSteam[®] bag) following the manufacturer's instructions. Remove from bag and allow parts to cool and air dry thoroughly before reassembly. Position parts in bag as shown in Figure 4.

FIGURE 4



C. ISOPROPYL ALCOHOL (70%)

The four disassembled parts may be soaked in 70% isopropyl alcohol for 5 minutes. Rinse well and allow to air dry thoroughly before reassembly.

D. HYDROGEN PEROXIDE (3%)

The four disassembled parts may be soaked in 3% hydrogen peroxide for 30 minutes. Rinse well and allow to air dry thoroughly before reassembly.

E. BLEACH (Not recommended for high level disinfection)

The four disassembled parts may be soaked in 1:50 bleach to water solution (approximately 1 tablespoon bleach in 3/4 cups water) for 3 minutes. Rinse well and allow to air dry thoroughly before reassembling. You may substitute a respiratory equipment disinfectant (such as Milton[®], Dodie[®], Control III[®] or Cidex[®]) for the bleach solution by following the manufacturer's instructions for use.

CAUTION: Failure to follow the cleaning or disinfection instructions may have an adverse effect on device performance.

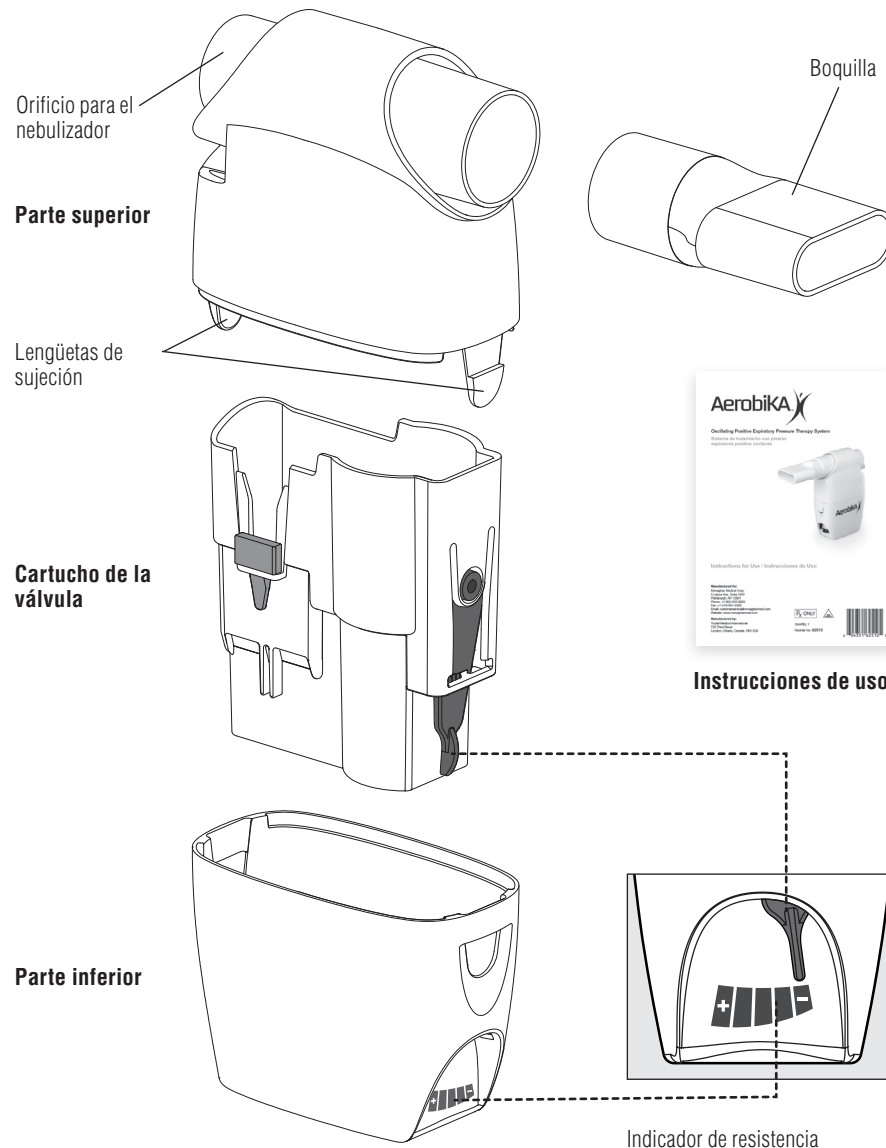
DISPOSAL

The **Aerobika**[®] Oscillating PEP device can be disposed of with domestic waste unless this is prohibited by the disposal regulations prevailing in your state.

NOTES

- SINGLE PATIENT USE.
- Product should be replaced after 6 months of use or immediately if damaged.
- This product has not been made (or manufactured) with BPA (Bisphenol A) or natural rubber latex.
- Do not share this medical device.
- If you are unable to exhale through the device, check the resistance setting or try cleaning the device thoroughly.
- Store the **Aerobika**[®] Oscillating PEP device in a dry, dust-free place avoiding continuous exposure to sunlight.
- Storage and operating range 15° C - 45° C (59° F - 113° F) at ambient to 85% relative humidity.

FIGURA 1



FINALIDAD DE USO

El propósito del sistema de tratamiento con presión espiratoria positiva oscilante **Aerobika**® es su uso como dispositivo de presión espiratoria positiva (PEP). El dispositivo de PEP oscilante **Aerobika**® también puede usarse simultáneamente con la administración de medicamentos en aerosol nebulizados. El dispositivo es para que lo usen pacientes capaces de generar un flujo de espiración de 10 lpm durante 3 o 4 segundos.

PRECAUCIONES

- No deje el dispositivo sin supervisión en presencia de niños. No es un juguete.
- No presione las lengüetas de sujeción cuando las partes estén desarmadas. Si lo hace, las lengüetas podrían romperse y no sería posible armar el dispositivo correctamente.
- Asegúrese de observar las contraindicaciones.
- La legislación federal (EE. UU.) restringe la venta de este dispositivo solo con la receta de un médico o por parte de un médico.

CONTRAINDICACIONES

El uso del dispositivo de PEP oscilante **Aerobika**® no está recomendado para las siguientes afecciones

- Pacientes incapaces de tolerar un mayor esfuerzo al respirar
- Presión intracraneal (PIC) > 20 mm Hg
- Inestabilidad hemodinámica (tensión arterial inestable)
- Cirugía o traumatismo facial, bucal o craneal reciente
- Sinusitis aguda
- Epistaxis (hemorragia nasal)
- Cirugía esofágica
- Náuseas
- Hemoptisis activa (hemorragia en el aparato respiratorio)
- Neumotórax sin tratar (colapso pulmonar sin tratar)
- Ruptura conocida o presunta del tímpano u otra patología del oído medio

ADVERTENCIA

El uso de este dispositivo a una presión excesiva puede tener efectos adversos. Una presión espiratoria superior a 20 cm H₂O en pacientes sensibles al aumento de presión transpulmonar puede provocar uno o más de los efectos secundarios adversos que se mencionan a continuación. La selección del nivel apropiado para cada paciente debe determinarse en función del criterio clínico de un experto. Si no se hace concordar el nivel de resistencia del indicador de ajuste de manera adecuada con el flujo espiratorio del paciente, es posible que no se logren los objetivos terapéuticos del tratamiento con PEP oscilante o bien que tengan lugar uno o más de los efectos secundarios adversos que se mencionan a continuación.

Algunas reacciones adversas pueden ser

- Mayor esfuerzo respiratorio, que puede provocar hipoventilación e hipercapnia
- Aumento de la presión craneal
- Insuficiencia cardiovascular
 - Isquemia miocárdica
 - Disminución del retorno venoso
- Ingesta de aire, con mayor probabilidad de vómitos y aspiración
- Claustrofobia
- Barotraumatismos pulmonares

PREPARACIÓN DEL DISPOSITIVO DE PEP OSCILANTE AEROBIKA®

Vea la descripción del dispositivo en la Figura 1.

Antes de usar el dispositivo, asegúrese de haber leído las instrucciones y de mantenerlas a la mano en todo momento. Si tiene preguntas acerca del funcionamiento o el uso de este producto, comuníquese con su profesional de la salud antes de usarlo.

DETERMINACIÓN DEL NIVEL DE RESISTENCIA ADECUADO

El dispositivo de PEP oscilante **Aerobika**® debe ser preparado por un profesional de la salud siguiendo los pasos que se describen a continuación:

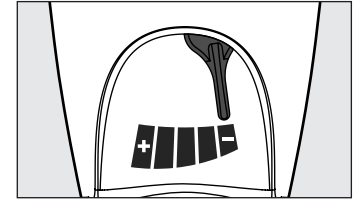
1. Comience con el indicador de resistencia en el nivel más bajo (Fig. 2).
2. Pídale al paciente, que debe estar sentado en una posición cómoda, que inspire a través del dispositivo, respirando de manera más profunda de lo normal, pero sin llenar toda la capacidad de sus pulmones, y que luego espire de manera enérgica, pero sin hacer fuerza, también a través del dispositivo.
3. El nivel de resistencia debe ajustarse de manera tal que la espiración dure 3 o 4 veces más que la inspiración. Para aumentar la resistencia, el indicador debe moverse hacia la izquierda. Para disminuir la resistencia, mueva el indicador hacia la derecha.

NOTA: La selección del nivel de resistencia adecuada producirá la relación de flujo inspiratorio:espiratorio deseada de 1:3 o 1:4 durante un lapso de entre 10 y 20 minutos sin causar cansancio excesivo.

4. Los pacientes deben someterse a evaluaciones periódicas o según sea necesario cuando se produzca un cambio en su estado. Dado que las vías respiratorias se pondrán menos congestionadas, será necesario aumentar la resistencia para mantener la relación inspiratoria:espiratoria.

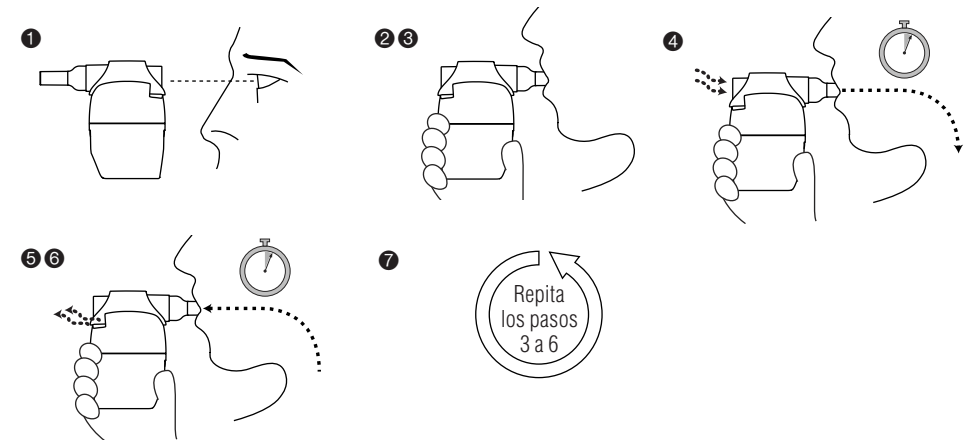
PRECAUCIÓN: El nivel de resistencia debe modificarse de acuerdo con la recomendación de su profesional de la salud.

FIGURA 2



TÉCNICA CORRECTA PARA USAR EL DISPOSITIVO DE PEP OSCILANTE AEROBIKA®

Los tratamientos deben realizarse dos veces al día o según las indicaciones de su profesional de la salud.



1. Antes de cada uso, revise detenidamente el dispositivo. Reemplácelo inmediatamente si observa algún defecto. Cerciórese siempre de que el indicador de resistencia esté en la posición que le haya indicado su profesional de la salud. Presione suavemente las dos mitades para unir las y asegúrese de que las lengüetas de sujeción queden trabadas.
2. Si bien el dispositivo de PEP oscilante **Aerobika**® puede usarse independientemente de cómo esté orientado, es recomendable que el tratamiento se realice con el paciente sentado en una posición cómoda.
3. Póngase la boquilla en la boca y cierre los labios a su alrededor para asegurarse de que haya un sellado eficaz. Fíjese que su mano no obstruya la vía de espiración que se encuentra en la parte posterior del dispositivo.
4. Inspire a través del dispositivo de manera más profunda de lo normal, pero sin llenar toda la capacidad de sus pulmones. Contenga la respiración unos 2 o 3 segundos antes de espirar.
5. Espire enérgicamente, pero sin hacer fuerza, a través del dispositivo. Lo ideal es que la espiración dure 3 o 4 veces más de lo que le tomó inspirar. Mantenga las mejillas chatas y firmes para aprovechar al máximo la eficacia del tratamiento. Asegúrese de mantener bien sellada la boquilla mientras dure el tratamiento.
6. Continúe inspirando profundamente y espirando en forma prolongada entre 10 y 20 veces, o según le haya indicado su profesional de la salud. Después de por lo menos 10 veces, tosa 2 o 3 veces como "resoplando" para despejar las vías respiratorias. Su profesional de la salud le indicará la técnica correcta para hacerlo. Para lograr la máxima eficacia, intente contener la tos hasta finalizar el tratamiento.
7. Repita desde el paso 3 hasta el 6 durante un lapso de entre 10 y 20 minutos o según le haya indicado su profesional de la salud. Todo el procedimiento debe realizarse al menos dos veces al día de manera frecuente y debe aumentarse a 3 o 4 veces por día si produce mucha mucosidad.
8. El objetivo es mantener los pulmones limpios y la capacidad ventilatoria alta. Continúe usando sus tratamientos de manera frecuente aunque solo produzca un poco de mucosidad.

PRECAUCIÓN: Si se siente mareado o algo aturdido, o tiene alguna otra molestia durante el tratamiento, suspéndalo y póngase en contacto con su médico o proveedor de salud.

CÓMO USAR EL DISPOSITIVO DE PEP OSCILANTE **AEROBIKA**® CON SU NEBULIZADOR

El dispositivo de PEP oscilante **Aerobika**® también puede usarse con un nebulizador de pequeño volumen con un adaptador de 22 mm. Su profesional de la salud le aconsejará qué medicamentos debe usar para tratamientos combinados.

Los medicamentos que abren las vías respiratorias (por ejemplo, salbutamol) o ayudan a hacer menos espesa la mucosidad (por ejemplo, solución salina hipertónica) serían buenas opciones para usar con el dispositivo de PEP oscilante **Aerobika**® ya que ayudarían a eliminar o disipar la mucosidad en los pulmones. Los medicamentos que se desea que permanezcan en los pulmones, como los antibióticos, deben administrarse después de que haya completado el tratamiento.

1. Asegúrese de leer y comprender las instrucciones provistas con el nebulizador antes de comenzar el tratamiento.
2. Cerciórese de que el nebulizador esté preparado correctamente y que se haya agregado el medicamento en el receptáculo del nebulizador. Quite la boquilla (o la mascarilla) del nebulizador.
3. Conecte el nebulizador al orificio para el nebulizador del dispositivo de PEP oscilante **Aerobika**®, como se muestra en la Figura 3.
4. Encienda la fuente de aire comprimido y realice el tratamiento combinado empleando la técnica de respiración descrita más arriba.

FIGURA 3



NOTA:

- No es necesario el uso de un adaptador con el nebulizador activado por la respiración de marca **AeroEclipse**®.
- Asegúrese siempre de que se utilice la boquilla del dispositivo de PEP oscilante **Aerobika**®; de lo contrario, el dispositivo no funcionará correctamente. (Vea la figura 3)
- Si se utiliza con un nebulizador, el dispositivo se debe limpiar antes del siguiente uso para quitar cualquier residuo que pueda haberse depositado durante la espiración.

LIMPIEZA Y DESINFECCIÓN DEL DISPOSITIVO DE PEP OSCILANTE **AEROBIKA**®

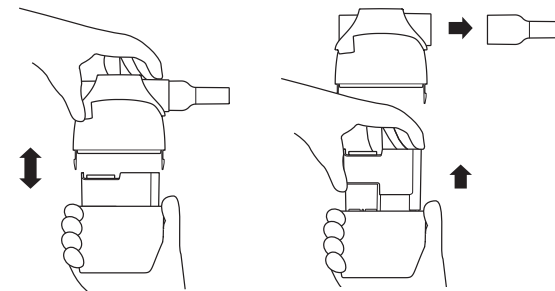
1. INSTRUCCIONES DE LIMPIEZA

El dispositivo de PEP oscilante **Aerobika**® debe desarmarse en cuatro partes para la limpieza: la boquilla, la parte superior, la parte inferior y el cartucho de la válvula. De ser necesario, el dispositivo de PEP oscilante **Aerobika**® se puede limpiar después de cada tratamiento.

Los profesionales de la salud deben usar su criterio clínico en todo momento a fin de seleccionar la frecuencia y los métodos de limpieza (1) y desinfección (2) apropiados, basándose en la gravedad del estado de salud de los pacientes.

A. DESARME EL DISPOSITIVO

- Presione las lengüetas de sujeción que se encuentran a ambos lados del dispositivo. Mientras mantiene las lengüetas presionadas, tire suavemente de la parte superior hacia arriba para separarla de la inferior.
- Quite el cartucho de la válvula. **No desarme ninguna parte del cartucho.**
- Para quitar la boquilla, agárrela con firmeza y gírela mientras tira hacia fuera del dispositivo.



B. LIMPIE EL DISPOSITIVO

AGUA Y JABÓN

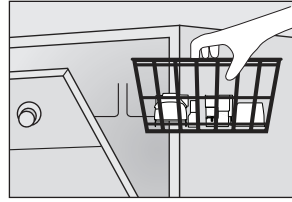
- Sumerja las cuatro piezas durante 15 minutos en una solución de detergente para vajilla líquido y agua tibia limpia. Agite suavemente.
- Enjuáguelas en agua templada.
- Para secarlas, agite las piezas para quitar el exceso de agua. Deje secar las piezas al aire por completo antes de volver a ensamblarlas.



O

LAVAPLATOS

- Las cuatro piezas desmontadas pueden lavarse en un lavavajillas asegurando las piezas en una cesta de la rejilla superior. Lave en un ciclo de lavado normal con detergente para lavavajillas **y un agente de enjuague (por ejemplo, Jet-Dry[†])**.
- Si queda exceso de agua, agite las piezas y déjelas secar al aire por completo antes de volver a ensamblarlas.
- No se recomienda lavar en un lavaplatos con platos que estén demasiado sucios.



C. VUELVA A ARMAR EL DISPOSITIVO

- Introduzca el cartucho de la válvula en la parte inferior. Si no se desliza fácilmente en su lugar, gírelo 180° e inténtelo nuevamente.
- Conecte las partes superior e inferior hasta que oiga que ambas lengüetas de sujeción hagan un clic (es posible que lo hagan simultáneamente). Asegúrese de que las lengüetas queden trabadas presionando las dos mitades cuando estén unidas.
- Conecte la boquilla.

CONSEJO – El agua de grifo puede contener una gran cantidad de minerales, lo que puede tener como resultado la acumulación de sarro en el dispositivo. Si nota esto, sumerja el dispositivo desarmado en una solución de una 1 taza de vinagre y 1 taza de agua durante 1 hora, luego, lave normalmente.

2. INSTRUCCIONES PARA LA DESINFECCIÓN

De ser necesario, el dispositivo de PEP oscilante **Aerobika[®]** se puede desinfectar empleando cualquiera de los siguientes métodos. Antes de la desinfección, siga las instrucciones de limpieza. No seque ni vuelva a armar el dispositivo.

DESINFECCIÓN DE ALTO NIVEL

Si se considera médicamente necesario para el estado de salud de los pacientes, el dispositivo se puede limpiar **después de cada uso** y desinfectar **una vez en cada día de tratamiento**. Deberá utilizarse agua **ESTÉRIL para el enjuague**.

A. HERVOR

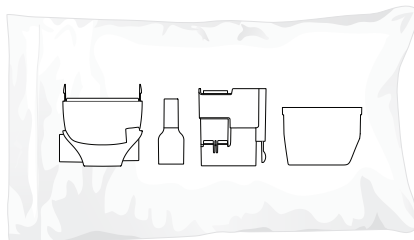
Coloque las cuatro piezas desmontadas en el recipiente cuando haya alcanzado el punto de ebullición y deje que hiervan durante 5 minutos. Quite las piezas del agua y déjelas enfriar y secar al aire por completo antes de volver a ensamblarlas.

NOTA: Coloque una pequeña rejilla en el fondo del recipiente para evitar que las piezas de plástico entren en contacto con el fondo caliente.

B. BOLSA DE VAPOR PARA MICROONDAS

Las cuatro piezas desmontadas pueden desinfectarse en el microondas en una bolsa de limpieza con vapor (es decir, una bolsa Quick-Clean[†] MicroSteam[†]) siguiendo las instrucciones del fabricante. Quite las piezas de la bolsa y déjelas enfriar y secar al aire por completo antes de volver a ensamblarlas. Coloque las piezas en la bolsa como se muestra en la Figura 4.

FIGURA 4



C. ALCOHOL ISOPROPÍLICO (70 %)

Las cuatro piezas desmontadas pueden ponerse a remojo en alcohol isopropílico al 70 % durante 5 minutos. Enjuáguelas bien y déjelas secar al aire totalmente antes de volver a montarlas.

D. PERÓXIDO DE HIDRÓGENO (3 %)

Las cuatro piezas desmontadas pueden ponerse a remojo en peróxido de hidrógeno al 3 % durante 30 minutos. Enjuáguelas bien y déjelas secar al aire totalmente antes de volver a montarlas.

E. BLANQUEADOR (No se recomienda para desinfección de alto nivel)

Las cuatro piezas desmontadas pueden ponerse a remojo en una solución de lejía y agua en una proporción 1:50 (aproximadamente 1 cucharada de lejía en 3¼ tazas de agua) durante 3 minutos. Enjuáguelas bien y déjelas secar al aire totalmente antes de volver a montarlas.

PRECAUCIÓN: No seguir las instrucciones de limpieza o desinfección puede afectar en forma adversa el funcionamiento del dispositivo.

DESECHO

El dispositivo de PEP oscilante **Aerobika[®]** puede desecharse con los residuos domésticos, a menos que lo prohíba la reglamentación sobre desechos vigente en su estado.

NOTAS

- USO PARA UN SOLO PACIENTE.
- El producto debe reemplazarse después de 6 meses de uso o inmediatamente si está dañado.
- Este dispositivo no fue hecho, ni fabricado, con BPA (bisfenol A) o latex de caucho natural.
- No comparta este dispositivo médico.
- Si no puede espirar a través del dispositivo, verifique el nivel de resistencia o intente limpiar bien el dispositivo.
- Guarde el dispositivo de PEP oscilante **Aerobika[®]** en un lugar seco, sin polvo y evite que quede expuesto continuamente a la luz del sol.
- Almacenamiento y rango de funcionamiento: 15 a 45 °C (59 a 113 °F) con una humedad relativa ambiente hasta 85 %.

UNCONTROLLED WHEN PRINTED