

Operating and installation instructions Washing machine



To avoid the risk of accidents or damage to the machine, it is **essential** to read these instructions before it is installed and used for the first time.

Contents

Caring for the environment	5
Warning and safety instructions	6
Operating the washing machine	14
Control panel	14
How the control field works.....	15
Before using for the first time	17
Washing environmentally and economically	19
Detergent.....	19
1. Preparing the laundry	20
2. Loading the washing machine	21
3. Selecting a programme and settings	22
4. Adding detergent	23
5. Starting the programme – end of the programme	27
Delay start	28
Programme chart	29
Special features in the programme sequence	32
Spinning	32
Anti-crease	32
Changing the programme sequence	33
Changing a programme.....	33
Cancelling a programme	33
Adding or removing laundry	33
Detergent	34
The correct detergent.....	34
Recommended detergents in accordance with Directive (EU) No. 1015/2010	34
Cleaning and care	35
Cleaning the detergent drawer	35

Cleaning the casing and fascia panel	36
Cleaning the drum, suds container and drainage system.....	36
Cleaning the water inlet filters	37
Problem solving guide	38
The wash programme does not start	38
Programme cancellation and error message.....	39
-U- symbol on the time display	40
Fault indicator light at the end of a programme	40
An unsatisfactory wash result	41
General problems	42
The door will not open.....	43
Opening the door in the event of a blocked drain outlet and/or power cut	44
Miele Service	46
Contact in case of malfunction	46
EPREL database	46
Optional accessories.....	46
Installation	47
Front view	47
Rear view.....	48
Installation locations.....	49
Installation notes	49
Transporting the washing machine to its installation site.....	50
Installation surface	51
Removing the transit bars	51
Fitting the transit bars	53
Levelling the washing machine	54
Holding bracket for plinth	55
Installing under a continuous worktop	57
Water connection	58
Cold water connection	58
Drainage	59
Drain pump.....	59
Electrical connection	60
Technical data	62
Consumption data	63

Contents

Programmable functions	65
Choosing and selecting a programmable function	65
Editing and saving a programmable function.....	66
Exiting the programming level.....	66
<i>P12</i> End of programme tone.....	67
<i>P13</i> Sensor control tone	67
<i>P14</i> PIN code.....	67
<i>P22</i> Control field switch-off status	68
<i>P24</i> Memory	68
<i>P26</i> Additional long pre-wash – Cottons.....	68
<i>P29</i> Temperature reduction	69
<i>P32</i> Maximum rinse level.....	69
<i>P33</i> Suds cooling	69
<i>P34</i> Anti-crease	70
<i>P49</i> Low water pressure.....	70
<i>P62</i> Backlight brightness dimmed	70
<i>P63</i> Welcome tone.....	70

Disposal of the packing material

The packaging is designed to protect the appliance from damage during transportation. The packaging materials used are selected from materials which are environmentally friendly for disposal and should be recycled.

Recycling the packaging reduces the use of raw materials in the manufacturing process and also reduces the amount of waste in landfill sites.

Disposing of your old appliance

Electrical and electronic appliances often contain valuable materials. They also contain specific materials, compounds and components, which were essential for their correct function and safety. These could be hazardous to human health and to the environment if disposed of with your domestic waste or if handled incorrectly. Please do not, therefore, dispose of your old appliance with your household waste.



Please dispose of it at your local community waste collection / recycling centre for electrical and electronic appliances, or contact your dealer or Miele for advice. You are also responsible for deleting any personal data that may be stored on the appliance being disposed of. Please ensure that your old appliance poses no risk to children while being stored prior to disposal.

Warning and safety instructions

This washing machine complies with all current local and national safety requirements. However, inappropriate use can lead to personal injury and damage to property.

Read the operating instructions carefully before using the washing machine. They contain important information on safety, installation, use and maintenance. This prevents both personal injury and damage to the washing machine.

In accordance with standard IEC 60335-1, Miele expressly and strongly advises that you read and follow the instructions in the chapter on installing the washing machine as well as the safety instructions and warnings.

Miele cannot be held liable for damage caused by non-compliance with these instructions.

Keep these operating instructions in a safe place and pass them on to any future owner.

When instructing other people how to use the washing machine, they must be made aware of these safety and warning instructions.

Appropriate use

- ▶ The washing machine is only suitable for washing fabrics with a care label stating that they are suitable for machine washing. Any other applications may be dangerous. The manufacturer cannot be held liable for damage resulting from incorrect or improper use or operation of the machine.
- ▶ This washing machine must be used as described in the operating instructions and must be checked on a regular basis to make sure it is functioning correctly. Maintenance must be carried out when necessary.

Warning and safety instructions

- ▶ The washing machine is not suitable for outdoor use.
- ▶ This washing machine may also be operated in public areas.
- ▶ This washing machine can only be used by people with reduced physical, sensory or mental capabilities, or lack of experience or knowledge, if they are supervised whilst using it or have been shown how to use it in a safe way and understand and recognise the consequences of incorrect operation.
- ▶ Children under the age of 8 must not be allowed near the washing machine unless they are constantly supervised.
- ▶ Children over the age of 8 may only use the washing machine without supervision if its operation has been clearly explained to them and they are able to use it safely. Children must be able to understand and recognise the possible dangers caused by incorrect operation.
- ▶ Children may not carry out cleaning or maintenance on the washing machine unsupervised.
- ▶ Always supervise any children in the vicinity of the washing machine. Never allow children to play with the washing machine.

Warning and safety instructions

Technical safety

▶ Before setting up the washing machine, check it for any externally visible damage. Do not set up or use a damaged washing machine.

▶ The electrical safety of the washing machine can only be guaranteed when correctly earthed.

It is most important that this basic safety requirement is tested and in case of any doubt the on-site wiring system should be inspected by a qualified electrician.

Miele cannot be held liable for the consequences of an inadequate earthing system.

▶ Unauthorised repairs could result in unforeseen dangers for the user, for which the manufacturer cannot accept liability. Repairs should only be undertaken by a Miele approved service technician, otherwise any subsequent damage will not be covered by the warranty.

▶ Do not make any alterations to the machine, unless authorised to do so by Miele.

▶ The machine must be isolated from the electricity supply when cleaning and maintaining the machine and in the event of a fault:

- switch off at the wall and disconnect the plug from the socket, or
- disconnect the fuse at the mains circuit board, or
- unscrew the on-site screw-in fuse.

See “Installation – Electrical connection”.

Warning and safety instructions

- ▶ If the electrical connection cable is faulty it must only be replaced by a Miele authorised service technician to protect the user from danger.
- ▶ The washing machine must only be connected to the on-site water supply using a new hose kit. Old hoses must not be re-used. Check the hose regularly for signs of wear. Replace it in good time to avoid the risk of leaks and subsequent damage.
- ▶ Faulty components must only be replaced by genuine Miele original spare parts. Miele can only guarantee the safety standards of the machine when Miele replacement parts are used.
- ▶ For reasons of safety, do not connect the machine to the mains electricity supply by an extension lead, multi-socket adapter, or similar. These can overheat and are a fire hazard.
- ▶ In the case of commercial use, all relevant national provisions and regulations (DGUV in Germany) relating to accident insurance are applicable to this machine. It is recommended to carry out testing in accordance with national regulations (e.g. the regulatory framework described in DGUV100-500/Chapter 2.6/Section 4). The test book required for the documentation is available from Miele.
- ▶ The machine must not be used in a non-stationary location (e.g. on a ship).
- ▶ Please observe the instructions in “Installation” and “Technical data”.
- ▶ If the washing machine is equipped with an electrical plug connection, it must be easily accessible after installation so that the machine can be disconnected from the electricity supply if necessary.

Warning and safety instructions

- ▶ If the appliance is hard wired, an on-site all pole circuit breaker must always be accessible to disconnect the washing machine from the mains.
- ▶ Reliable and safe operation of this washing machine can only be assured if it has been correctly connected to the mains electricity supply.
- ▶ While the washing machine is under warranty, repairs should only be undertaken by a Miele authorised service technician. Otherwise the warranty will be invalidated.

Correct use

- ▶ The maximum dry laundry weight is 7.0 kg. The maximum recommended loads for individual programmes are given in the Programme chart.
- ▶ Do not install your washing machine in a room where temperatures below freezing may occur. Frozen hoses may burst or split. The reliability of the electronic control unit may be impaired at temperatures below freezing point.
- ▶ Before using the machine for the first time, check that the transit bars at the rear of the washing machine have been removed (see “Installation – Removing transit bars”). During spinning, transit bars which are still in place may result in damage to both the machine and adjacent furniture or appliances.
- ▶ Close the stopcock if the machine is to be left for any length of time (e.g. while on holiday), especially if there is no floor drain (gully) in the immediate vicinity.
- ▶ Danger of flooding! If hooking the drain hose into a wash basin, check that the water can drain off quickly enough to prevent the sink from overflowing. Hook the hose over the edge and secure. If the hose is unsecured, the force of the water flowing out of it can dislodge it from the basin.

Warning and safety instructions

- ▶ Take care to ensure that foreign objects (e.g. nails, pins, coins, paper clips) do not find their way into the machine with the laundry. These may damage components of the machine (e.g. suds container, drum). Damaged components can damage the laundry.
- ▶ If the correct amount of detergent is dispensed, the machine should not need to be descaled. If, however, you do wish to descale it, only use special non-corrosive descaling agents and strictly observe the instructions on the packaging. Special descaling agent is available from your Miele dealer or from Miele Service. Strictly observe the instructions for the descaling agent.
- ▶ For textiles that have been treated with solvent-based detergents, always check whether they can be washed in a washing machine. To check whether this is possible, refer to safety notes, information concerning the product's environmental properties, and other information.
- ▶ Never use solvent based detergents, e.g. those containing benzene, in this machine. Doing so may result in damage to component parts and create toxic fumes. Risk of fire and explosion.
- ▶ Benzene, petrol, paraffin, or any easily flammable liquid must not be stored or used near the machine. Risk of fire and explosion
- ▶ Only use dyes suitable for use in a washing machine. Always observe the manufacturer's instructions carefully.

Warning and safety instructions

- ▶ Colour run and dye removers contain sulphur compounds which can cause damage such as corrosion. Do not use these products in this washing machine.
- ▶ Avoid contact between stainless steel surfaces (front, lid, casing) and liquid detergents or disinfecting agents which contain chlorine or sodium hypochlorite. These agents can have a corrosive effect on stainless steel. Aggressive vapours containing chlorine can also be corrosive. Do not store open containers of these agents near the machine.
- ▶ Do not use a pressure washer or hose to clean the washing machine.
- ▶ It is particularly important to observe manufacturer's instructions when using a combination of cleaning agents and special application products. Products must only be used for applications approved by the manufacturer to avoid any material damage or the occurrence of strong chemical reactions.
- ▶ If detergent has come into contact with the eyes, rinse out immediately with plenty of lukewarm water. If detergent has accidentally been ingested, seek medical advice immediately. People with damaged or sensitive skin should avoid contact with detergent.
- ▶ When adding or removing laundry during the main wash, your skin may come into contact with detergent, particularly if the detergent is dispensed externally. Take care when placing your hands inside the drum. If suds have come into contact with the skin, rinse off immediately with lukewarm water.

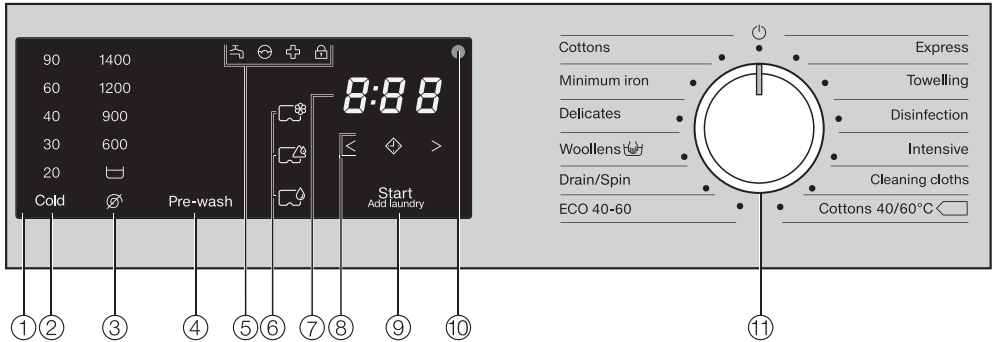
Accessories







- ▶ Only use original Miele accessories. If other parts are used, warranty, performance and product liability claims will be invalidated.
- ▶ Miele tumble dryers and Miele washing machines can be installed as a washer-dryer stack. This requires a Miele washer-dryer stacking kit which can be purchased separately. Please ensure that the washer-dryer connection kit is suitable for the Miele tumble dryer and the Miele washing machine.
- ▶ If installing the machine on a Miele plinth (available as an optional accessory), please make sure you order the correct one for this washing machine.
- ▶ Miele will guarantee to supply functional spare parts for 15 years following the discontinuation of your washing machine.

Miele cannot be held liable for damage caused by non-compliance with these warning and safety instructions.

Operating the washing machine

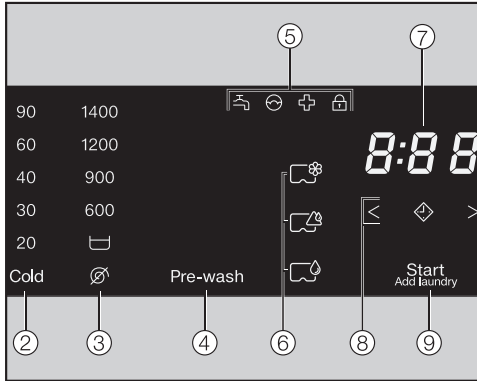
Control panel



- ① **Control field**
- ② **Temperature sensor controls** for selecting the temperature
- ③ **Spin speed sensor controls** for selecting the spin speed
- ④ **Pre-wash sensor control**
- ⑤ **Indicator lights**    light up when necessary
- ⑥ **CapDosing sensor controls**
- ⑦ **Time display** for the programme running time
- ⑧ **Sensor controls**   for the Delay start function
- ⑨ **Start/Add laundry sensor control** starts the selected programme and allows you to add laundry
- ⑩ **Optical interface** for the Customer Service Department
- ⑪ **Programme selector** for selecting programmes and for switching off the appliance
The washing machine is switched on when you select a programme and switched off by turning the programme selector to the  position.

Operating the washing machine

How the control field works



The ②, ③, ④, ⑥, ⑧ and ⑨ sensor controls react to fingertip contact. If a sensor control is illuminated, it can be selected.

If a sensor control is brightly lit, this means it is currently selected.

If a sensor control is dimly lit, this means it can be selected.

② and ③ sensor controls for temperature and spin speed

After selecting a wash programme with the programme selector, the recommended temperature (in °C) and spin speed (in rpm) light up brightly.





Selectable temperatures and spin speeds light up dimly.

④ Pre-wash sensor control

You can supplement certain wash programmes with a pre-wash.




If a pre-wash can be selected for the wash programme, the *Pre-wash* sensor control lights up dimly.

⑤ Indicator lights

-  lights up if there are faults with the water inlet and drainage.
-  lights up if excess detergent was used.
-  lights up as a reminder about hygiene information.
-  lights up when the door of the washing machine is locked.

⑥ CapDosing sensor controls

These are used for activating CapDosing.

-  Fabric care (e.g. fabric conditioner, proofing agent)
-  Additives (e.g. detergent enhancer)
-  Detergent (for the main wash only)




Operating the washing machine

⑦ Time display

After the programme has started, the programme duration will appear on the display in hours and minutes.

When Delay start is being used, the programme duration will appear after the Delay start time has elapsed.

⑧ Sensor controls < >

-  After touching the  sensor control, a later start time for the programme (Delay start) can be selected. Once selected,  lights up brightly.
- < > The duration of the Delay start period is selected by touching the < or > sensor control.

The Delay start time selected will appear on the time display.


After the programme has started, the Delay start time will begin to count down.

Once the Delay start time has elapsed, the programme begins. The estimated programme duration appears on the time display.

⑨ Start/Add laundry sensor control

- The programme can be started as soon as the sensor control is flashing on and off. Touching the Start/Add laundry sensor control starts the selected programme. The sensor control lights up constantly.
- Once the programme has been started, the Start/Add laundry sensor control allows you to add laundry.

Before using for the first time

 Damage resulting from incorrect installation and connection. Installing and connecting the washing machine incorrectly will cause serious property damage. See "Installation".

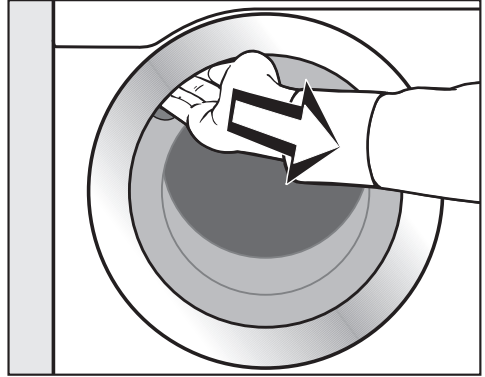
Removing the protective foil and stickers

- Remove:
 - The protective foil from the door
 - Any stickers from the front and the lid

Please do not remove any labels (e.g. the data plate) which are visible when you open the door.

Emptying the drum

A swivel elbow for the drain hose and/or assembly material may be stored in the drum.



- Pull open the door.
- Remove the swivel elbow and assembly material.
- Shut the door with a gentle swing.

This washing machine has undergone a complete functional test at the factory. Some residual water will therefore remain in the drum from this process.

Before using for the first time

Running the first wash programme


For safety reasons, spinning is not possible until the machine has been prepared for use for the first time. To activate the spinning function, you must run a wash programme without laundry and without detergent.

Using detergent could result in an excessive build-up of foam!


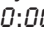
- Open the stopcock.
- Turn the programme selector to the *Cottons* position.

The washing machine is now switched on and the temperature 60 °C lights up in the control field.

- Touch the *Start/Add laundry* sensor control.

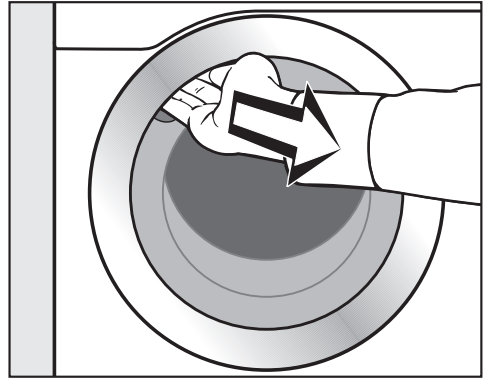
The wash programme starts and the  symbol lights up in the control field.

After 10 minutes, the indicators dim and the *Start/Add laundry* sensor control starts flashing.

At the end of the programme, the Anti-crease function is switched on. The  symbol lights up in the control field;  appears on the time display.


- Touch the *Start/Add laundry* sensor control.

The door will unlock.



- Reach under the recessed grip and pull the door open.

Tip: Leave the door slightly open to allow the drum to dry.

- When the programme has ended, turn the programme selector to .


The washing machine is switched off and is now ready for use.

Washing environmentally and economically

Energy and water consumption

- To get the most out of your machine, load the maximum dry load size for the wash programme you are using. This will keep the energy and water consumption to a minimum in relation to the size of the load.
- Programmes that are more efficient with regard to energy and water consumption generally have a longer running time. By extending the programme running time, the wash temperature that is actually reached can be reduced while still providing the same wash results.

For example, the *ECO 40-60* programme has a longer running time than the *Cottons 40 °C* or *60 °C* programme. The *ECO 40-60* programme is more efficient in terms of energy and water consumption.

- Use the *Express* programme for small, lightly soiled loads.
- Modern detergents make it possible to wash laundry at lower temperatures (e.g. 20 °C). Using lower temperature settings will save energy.
- To maintain the hygiene of the washing machine, carry out a hot wash above 60 °C at regular intervals. The washing machine's  indicator light will come on to remind you to carry out a hot wash.

Detergent

- Do not exceed the amounts of detergent recommended by the manufacturer on the packaging.
- Adjust the dosage to the degree of soiling of the laundry.
- Reduce the amount of detergent with smaller loads (approx. 1/3 less than the amount recommended can be used when washing a half load).

Information about subsequent tumble drying

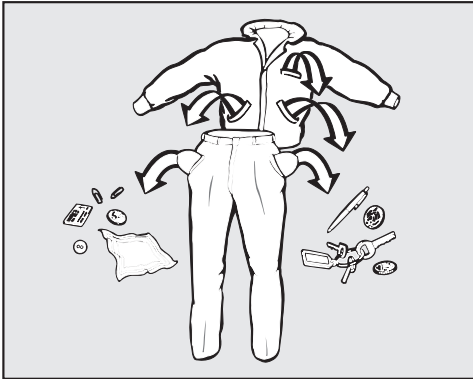
The spin speed selected affects the residual moisture in the laundry and the sound emissions of the washing machine.

The higher the spin speed, the lower the residual moisture in the laundry. However, the sound emissions of the washing machine will increase.

Select the highest possible spin speed for the wash programme to save energy in the subsequent tumble dryer cycle.

1. Preparing the laundry

Emptying pockets



- Empty all pockets.

⚠ Damage due to foreign objects. Nails, coins, paper clips, and so on can cause damage to garments and components in the machine. Check the laundry before washing and remove any foreign objects.

Sorting the laundry

- Sort the laundry according to colour and the garment care label.

Pre-treating stains

- Badly soiled areas and stains should be cleaned as soon as possible. Spillages should be carefully dabbed off using a soft, colourfast cloth.

⚠ Damage due to solvent-based detergents. Detergents containing benzene, stain remover, etc., can damage plastic parts. When pre-treating textiles, make sure that any plastic parts do not come into contact with the detergent.

⚠ Risk of explosion due to solvent-based detergents.

When using solvent-based detergents, an explosive mixture may develop.

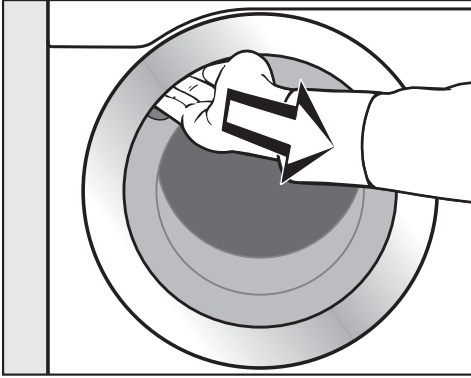
Never use solvent-based detergents in the washing machine.

General tips

- Do not machine wash items which are specified by the manufacturer as **not washable** on the care label (☒).
- Curtains: remove rollers and lead weights or place in a laundry bag.
- Sew in or remove any loose underwiring in bras.
- Turn garments inside out, if recommended by the manufacturer.
- Zip up or close any jackets with Velcro or hook and eye fastenings before washing.
- Fasten duvet covers and pillow cases to prevent small items from becoming rolled up inside them.
- Please refer to the Programme chart for more tips and tricks.

2. Loading the washing machine

Opening the door



- Reach under the door grip and pull the door open.

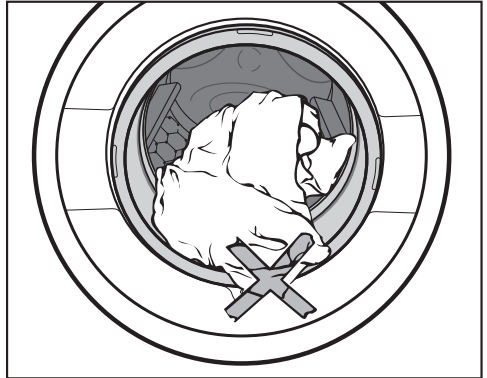
Check the drum for foreign objects before loading it with laundry.

- Unfold the laundry and load loosely into the drum.

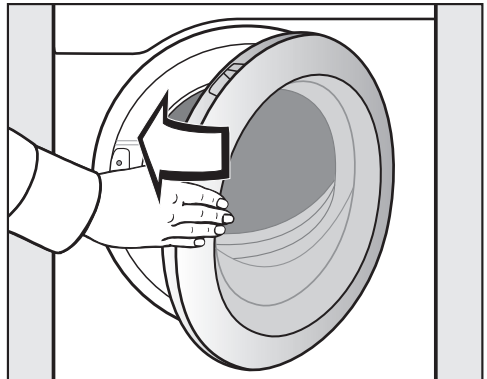
Mixing both large and small items gives better wash results and also helps to distribute the load evenly during spinning.

The most efficient use of energy and water is achieved when a full load is washed. However, do not overload as this reduces cleaning efficiency and causes creasing.

Closing the door



- Make sure that no items are caught between the door and the seal.

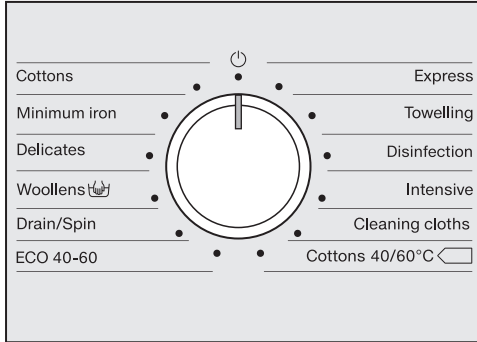


- Shut the door with a gentle swing.

3. Selecting a programme and settings

Selecting a programme

The washing machine is switched on by turning the programme selector to a wash programme.



- Turn the programme selector to the required programme.

The estimated wash time is shown on the time display and the pre-set temperature and spin speed light up in the control field.

Selecting a temperature and spin speed

The wash programme's pre-set temperature and spin speed light up brightly. The choice of available temperatures and spin speeds for the wash programme light up dimly.

90	1400
60	1200
40	900
30	600
20	
Cold	

- Touch the sensor control for the temperature you want.

The sensor control lights up brightly.

- Touch the sensor control for the spin speed you want.

The sensor control lights up brightly.

Selecting Pre-wash

If a pre-wash can be selected for the wash programme, the *Pre-wash* sensor control lights up dimly.

- Touch the *Pre-wash* sensor control.

The sensor control lights up brightly.

The programme duration is increased.

4. Adding detergent

Detergent drawer

You can use any detergent that is suitable for washing machines.

Detergent dispensing

Please follow the detergent manufacturer's instructions in relation to dosage.

Adding too much detergent will lead to excessive foaming.
Avoid adding excess detergent.

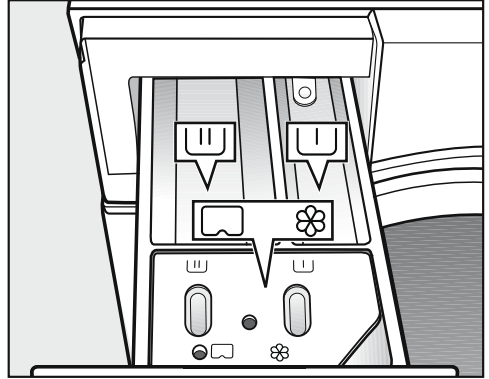
The amount to dispense will depend on:

- the amount of laundry
- the amount of soiling in the laundry
- the water hardness

Hardness range	Hardness in mmol/l	Degree of German hardness °dH
I (soft)	0-1.5	0-8.4
II (medium)	1.5-2.5	8.4-14
III (hard)	above 2.5	above 14

Check with your local water supplier if you do not know the water hardness in your area.

Adding detergent

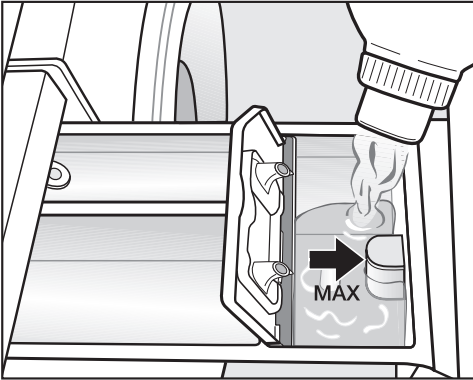


- Pull out the detergent drawer and add detergent to the compartments.

- U Detergent for the pre-wash (divide the total recommended amount as follows: $\frac{1}{3}$ to compartment U and $\frac{2}{3}$ to compartment U)
- U Detergent for the main wash
- ⊗/ Fabric conditioner, liquid starch or capsules

4. Adding detergent

Automatic dispensing of fabric softener or liquid starch



- Add fabric conditioner or liquid starch to the ☼ compartment. **Do not exceed the maximum level mark.**

This will be automatically dispensed in the final rinse. At the end of the wash programme a small amount of water remains in the ☼ compartment.

Tip: If starching frequently, thoroughly clean the detergent drawer, especially the siphon tube, regularly.

Dye removers and dyes

⚠ Damage due to colour run/dye removers.

Colour run and dye removers can cause corrosion in the washing machine.

Do not use colour run or dye removers in this washing machine.

Only use dyes suitable for use in a washing machine. The manufacturer's instructions on the packaging must be observed.

4. Adding detergent

CapDosing

3 different types of capsule are available:

- ☼ = Fabric care (e.g. fabric conditioner, proofing agent)
- ☼ = Additives (e.g. detergent enhancer)
- 💧 = Detergent (for the main wash only)

Only one capsule can be selected per wash programme.

Depending on the setting selected, the detergent, additive or fabric care agent will be dispensed via the capsule for this wash programme.

Each capsule contains the correct amount for one wash cycle.

Caps are available to order from the Miele online shop, Miele customer service or your Miele retailer.

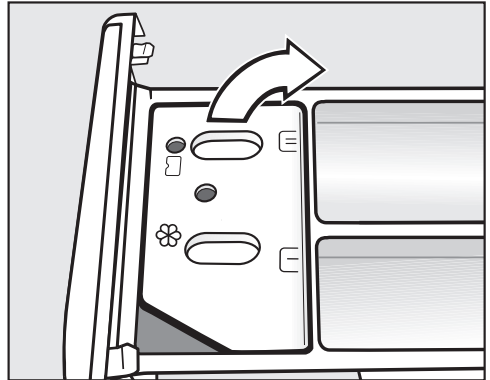
⚠ Capsules pose a health risk. The ingredients of capsules can be hazardous to health if they are swallowed or come into contact with skin. Keep capsules out of the reach of children.

Activating CapDosing

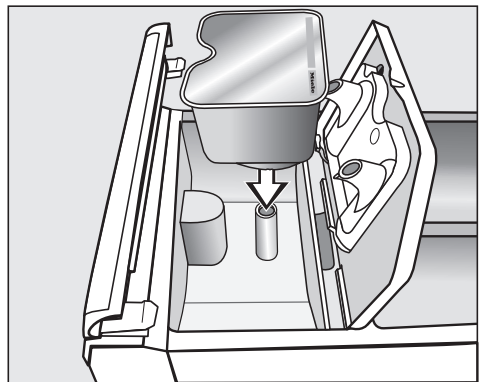
- Touch the sensor control for the capsule you want.

Inserting a capsule

- Open the detergent drawer.

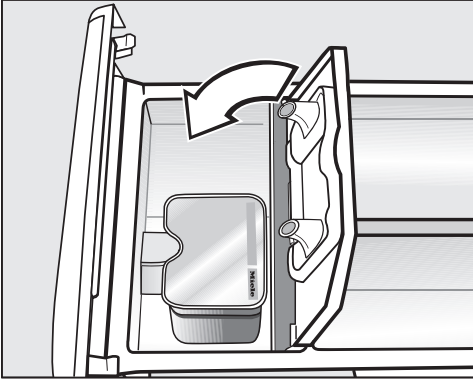


- Open the lid of the ☼/☼ compartment.



- Press the capsule in firmly.


4. Adding detergent




- Close the lid and press it firmly shut.
- Close the detergent drawer.

The capsule is opened by the act of inserting it into the detergent drawer. The contents can run out of the capsule if you then remove it from the capsule drawer before it is used. Dispose of opened capsules.

The wash programme will dispense the contents of the capsule at the correct time.

When using CapDosing, water intake to the  compartment takes place solely via the capsule.

When using capsules, do not add extra fabric softener to the  compartment.

- Remove the empty capsule at the end of the programme.

For technical reasons, a small amount of water will remain in the capsule.

Deactivating or changing CapDosing

CapDosing can only be deactivated or changed prior to the programme start.


- In order to switch off CapDosing, touch the brightly lit sensor control.
- In order to change CapDosing, touch one of the other capsule sensor controls.

5. Starting the programme – end of the programme

Starting the programme

- Touch the flashing *Start/Add laundry* sensor control.

The door will lock and the wash programme will start.

- When the  symbol lights up constantly, the door is locked until the end of the programme.

If a Delay start period has been selected, this counts down on the time display. At the end of the Delay start period or immediately after the programme has started, the programme running time appears on the time display.


Energy savings

After 10 minutes, the indicators dim. The *Start/Add laundry* sensor control flashes slowly.


To reactivate the indicators:

- Touch the *Start/Add laundry* sensor control (this does not have any effect on a programme that is running).

End of programme

The time display shows 0:00. The  symbol will remain lit up in the control field. The door is locked in the Anti-crease phase.

- Touch the *Start/Add laundry* sensor control.


The door unlocks and the  symbol in the control field goes out.

- Pull open the door.
- Remove the laundry.

Items left in the drum could discolour other laundry in the next wash or become discoloured themselves.
Remove all items from the drum.

- Check the door sealing ring for any foreign objects.

Tip: Leave the door slightly open to allow the drum to dry.

- Turn the programme selector to the  position. This switches the washing machine off.
- If applicable, remove the used capsule from the detergent drawer.


Tip: Leave the detergent drawer slightly open to allow it to dry.

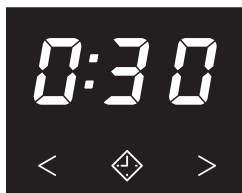
Delay start

With Delay start, you can delay the start of a programme from 30 minutes up to a maximum of 24 hours.

Selecting the Delay start function

Delay start cannot be selected in the *Drain/Spin* programme.

- Select the programme required.
- Touch the  sensor control.



The  sensor control lights up brightly.

- Touch the < or > sensor control repeatedly until the required Delay start time appears on the time display.
- In the case of settings below 10 hours, the Delay start time changes in increments of 30 minutes.
- In the case of settings above 10 hours, the Delay start time changes in increments of 1 hour.


Starting Delay start

- Touch the flashing *Start/Add laundry* sensor control.

The Delay start process starts and counts down on the time display.

The  symbol will flash.


Changing the Delay start time

- Touch the *Start/Add laundry* sensor control until the door unlocks and the  symbol goes out.

The Delay start process stops.

- Touch the < or > sensor control repeatedly until the required Delay start time appears on the time display.
- Touch the flashing *Start/Add laundry* sensor control.

Cancelling Delay start

- Touch the *Start/Add laundry* sensor control until the door unlocks and the  symbol goes out.




The Delay start process stops.

- Touch the brightly lit  sensor control.

The Delay start period is deleted. The programme running time appears on the time display.

- Touch the flashing *Start/Add laundry* sensor control in order to start the wash programme.


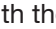

Programme chart

Cottons		Cold to 90 °C	Max. load 7.0 kg
Items	Cotton, linen and mixed fibre textiles		
Tip	<ul style="list-style-type: none"> - Select the temperature according to the instructions on the care label, the detergent, the type of soiling and the hygiene requirements. - For dark-coloured fabric, use a colour detergent or liquid detergent. 		
1400 rpm	Extras: Pre-wash 	Rinses: 2	
Minimum iron		Cold to 60 °C	Max. load 4.0 kg
Items	Synthetic and mixed fibre textiles as well as easy care cotton		
Tip	- Reduce the spin speed for fabric that creases easily.		
1200 rpm	Extras: Pre-wash 	Rinses: 2	
Delicates		Cold to 40 °C	Max. load 2.5 kg
Items	Delicate garments made from synthetic fibres, mixed fibres and viscose		
Tip	- Deselect the spin speed for fabric that creases easily.		
600 rpm	Extras: Pre-wash 	Rinses: 2	
Woollens		Cold to 30 °C	Max. load 2.0 kg
Use for	Machine-washable woollens and woollen blends		
Tip	- Use detergent formulated for woollens.		
1200 rpm		Rinses: 2	
Drain/Spin			Max. load 7.0 kg
Tip	<ul style="list-style-type: none"> - Make sure you select the appropriate spin speed. - Drain only: select 0 rpm for the spin speed. 		
1400 rpm			

Programme chart

ECO 40-60		Max. load 7.0 kg
Items	Normally soiled cotton garments	
Tip	<ul style="list-style-type: none"> - A laundry load consisting of mixed cottons that are intended for washing at 40 °C or 60 °C can be washed in the same wash cycle. - This programme is the most efficient in terms of energy and water consumption for washing cottons. 	
1400 rpm		Rinses: 2
Note for test institutes:		
Test programme for compliance with EU legislation regarding ecodesign No. 2019/2023 and energy labelling in accordance with Regulation No. 2019/2014.		
Express		30 °C
Max. load 3.5 kg		
Items	Cotton garments that have hardly been worn or are only very lightly soiled	
1400 rpm		Rinses: 1
Towelling		40 °C to 60 °C
Max. load 6.0 kg		
Use for	Towels and bathrobes made from terrycloth	
Tip	- Use a colour detergent for dark textiles.	
1400 rpm	Extras: Pre-wash <input type="checkbox"/>	Rinses: 2
Disinfection		60 °C
Max. load 5,5 kg		
Use for	Workwear or disinfection clothing, sorted by colour, provided the items are suitable for disinfection.	
Tip	<ul style="list-style-type: none"> - Chemo-thermal disinfection with a 30-minute holding time at 60 °C. - Use special-purpose detergents. 	
1400 rpm	Extras: Pre-wash <input type="checkbox"/>	Rinses: 2
Intensive		40 °C to 90 °C
Max. load 7.0 kg		
Items	Heavily soiled workwear made from cotton, linen and mixed fibres	
Tip	- You can achieve particularly good wash and rinse results with a high water level.	
1400 rpm	Extras: Pre-wash <input type="checkbox"/>	Rinses: 2

Programme chart

Mops & cloths		40 °C to 90 °C	Max. load 4.0 kg
Items	Mixed fibre or microfibre mops and cloths		
Tip	<ul style="list-style-type: none"> - The programme is designed to wash mops and cleaning cloths. - Use special-purpose detergents. - A pre-spin and a pre-rinse cycle are carried out before the main wash. 		
1400 rpm		Rinses: 2	
Cottons 		40 °C/60 °C	Max. load 7.0 kg
Items	Normally soiled cotton garments		
Tip	<ul style="list-style-type: none"> - These settings are the most efficient in terms of energy and water consumption for washing cottons. - With the selected temperature , the wash temperature reached is below 60 °C. 		
1400 rpm	Extras: Pre-wash 		Rinses: 2
The test programme conforms to EN 60456 and the energy label to Directive 1061/2010.			

Special features in the programme sequence

Spinning

Final spin speed

When a programme is selected, the maximum spin speed for this wash programme is shown in the display.

You can reduce the final spin speed.

However, you cannot select a final spin speed higher than that shown in the chart.

Interim spin


There is a spin cycle after the main wash and between the rinses. A reduction in the final spin speed will also reduce the interim spin speed as appropriate.

Omitting the interim spin and the final spin

- Touch the  sensor control.

After the last rinse, the water will be pumped away and the anti-crease phase will switch on.

Omitting the final spin (Rinse hold)

- Touch the  sensor control (Rinse hold).

The laundry is not spun after the final rinse cycle and remains in the rinse water. This helps to prevent creasing if the laundry is not going to be removed from the washing machine immediately after the end of the programme.


Starting the final spin after Rinse hold

The sensor control for the maximum spin speed lights up in the control field. You can change the spin speed. The *Start/Add laundry* sensor control flashes slowly.

- Touch the flashing *Start/Add laundry* sensor control.

The final spin is carried out.

Ending the programme after Rinse hold

- Reduce the spin speed to .
- Touch the *Start/Add laundry* sensor control.

The washing machine pumps away the suds. The programme has finished.

Anti-crease

At the end of the programme, the drum continues to turn at intervals for up to 30 minutes to help prevent creasing. The washing machine can be opened at any time.

There is no anti-crease phase at the end of some programmes.

Changing the programme sequence

Changing a programme

After the start of a programme, it is no longer possible to select a different programme.


You will need to cancel the current programme before you can select a new one.

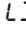

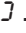
-0- appears on the time display if the programme selector has been moved. Set the programme selector back to its original position.

If the washing machine is switched off during active programme operation, the standby function does not switch the washing machine off completely after 15 minutes. Safety functions continue to be active because there may still be water inside the drum.

Cancelling a programme

You can cancel a programme at any time after it has started.

- Turn the programme selector to the  position.
- Turn the programme selector to any position.

Rotating bars ...  ...  or -0- are shown on the time display.


The water is pumped away and the door lock is then released.

Selecting a new programme




- Turn the programme selector to the required programme.
- Check that there is still detergent in the detergent drawer. Add more detergent if there is none left.

- Touch the *Start/Add laundry* sensor control.

Adding or removing laundry

Laundry can be added or removed at any time, provided that the  symbol is not illuminated on the control field.

- Touch the *Start/Add laundry* sensor control.

Rotating bars ... ...  are shown on the time display.

If the word *Add* appears on the time display, the door can be opened.

- Open the door and add or remove laundry.
- Close the door.
- Touch the *Start/Add laundry* sensor control.

The programme will continue.

Detergent

The correct detergent

You can use any detergent that is suitable for washing machines. Instructions for use and recommended amounts are given on the detergent packaging.

Recommended detergents in accordance with Directive (EU) No. 1015/2010

The recommendations apply to the temperature ranges given in the section “Programme chart”.

	Universal	Colour	Delicates and woollens	Special
	detergent			
Cottons	✓	✓	-	-
Minimum iron	-	✓	-	-
Delicates	-	-	✓	-
Woollens 	-	-	✓	✓
ECO 40-60	✓	✓	-	-
Express	-	✓ ¹	-	-
Towelling	✓	✓ ¹	-	-
Disinfection	-	-	-	✓
Intensive	✓	-	-	✓
Cloths	-	-	-	✓
Cottons 	✓	✓	-	-

✓ Recommended

- Not recommended

¹ Liquid detergent



Risk of electric shock.

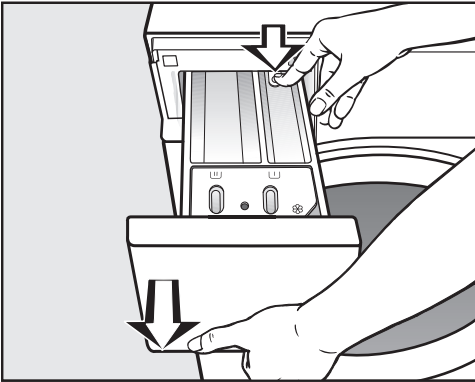
Only ever perform cleaning and maintenance work when the appliance is disconnected from the power.

Disconnect the washing machine from the mains electricity supply.

Cleaning the detergent drawer

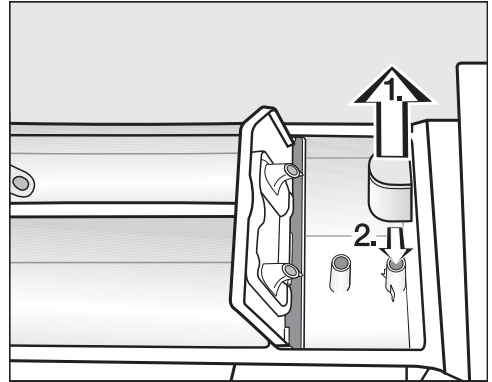
Washing at low temperatures and the use of liquid detergent can lead to a build-up of mould and bacteria in the detergent drawer.


- For hygiene reasons, clean the entire detergent drawer at regular intervals.

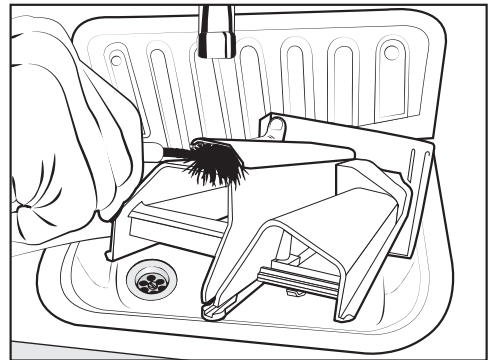


- Pull out the detergent drawer until resistance is felt. Press down the release button and at the same time pull the drawer right out of the appliance.
- Clean the detergent drawer with warm water.

Cleaning the siphon and the channel



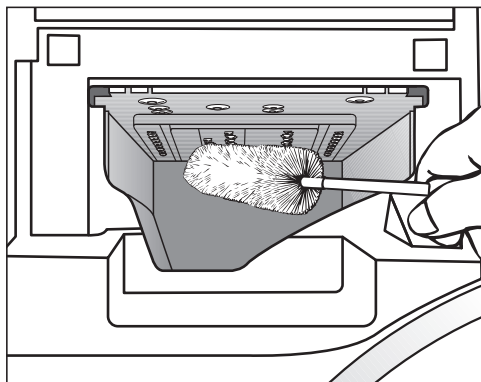
- Pull the siphon out of the  compartment .
Clean the siphon under warm running water. Clean the siphon tube in the same way.
- Refit the siphon.



- Clean the fabric conditioner channel using a brush and warm water.

Cleaning and care

Cleaning the detergent drawer



- Use a bottle brush to remove detergent residues and limescale from the jets inside the detergent drawer.
- Replace the detergent drawer.

Tip: Leave the detergent drawer slightly open to allow it to dry.


Cleaning the casing and fascia panel


⚠ Damage caused by detergents. Solvent-based cleaning agents, abrasive cleaners, glass cleaners or multi-purpose cleaning agents can cause damage to plastic surfaces and other parts. Do not use any of these cleaning agents.

⚠ Risk of damage due to ingress of water. The pressure of a water jet can cause water to get into the washing machine, resulting in damage to components. Do not spray the washing machine with a water jet.

- Clean the casing and fascia panel with a mild cleaning agent or soap and water and dry both with a soft cloth.
- The drum and any other stainless steel components can be cleaned using a suitable stainless-steel cleaning agent.

Cleaning the drum, suds container and drainage system

The drum, suds container and drainage system must be cleaned whenever the  indicator light comes up or if necessary.

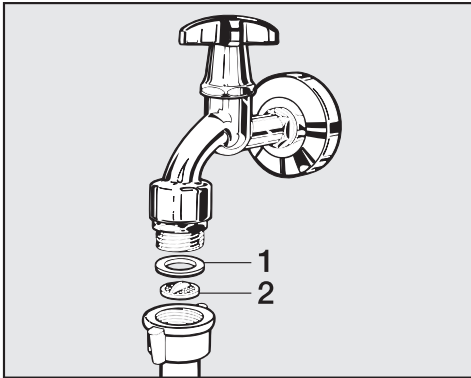
- Start the *Cottons 90 °C* programme without a load.
- Add powder detergent to the  compartment in the detergent drawer.
- At the end of the programme, check the inner drum and remove any coarse residues.

Cleaning the water inlet filters

The washing machine has filters to protect the water inlet valves. You should inspect the filters approximately every 6 months. Perform this check more often if there are frequent interruptions to the external water supply.

Cleaning the filter in the inlet hose

- First turn off the stopcock.
- Unscrew the inlet hose from the stopcock.

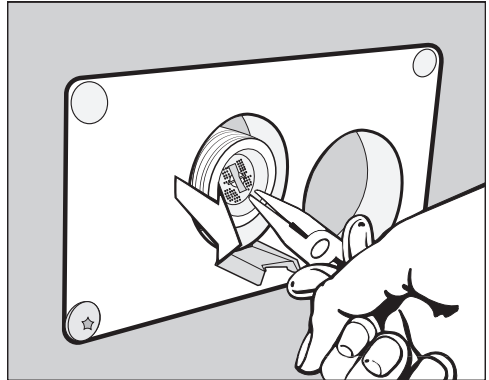


- Remove the rubber seal **1** from the recess.
- Using pointed pliers, take hold of the plastic filter bar **2** and remove it.
- Clean the plastic filter.
- Reassemble in reverse order.

Make sure there is no water leaking from the screw thread.
Tighten the screw thread.

Cleaning the filter in the inlet valve

- Using pliers, carefully loosen the ribbed plastic nut on the inlet valve and unscrew.



- Use pointed pliers to withdraw the plastic filter by the bar.
- Clean the filter.
- Reassemble in reverse order.

The filters are used to protect the water inlet valve.
The filters must be put back in place after cleaning.

Problem solving guide




You are able to correct the majority of faults and problems that arise during day-to-day use without external assistance. You can save time and money in many cases, as you do not need to call Miele Service.

The following tables are designed to help you to find the cause of a malfunction or a fault and to resolve it.

The wash programme does not start

Problem	Cause and remedy
The control field remains dark.	There is no power to the machine. <ul style="list-style-type: none">■ Check whether the plug is plugged in.■ Check whether the fuse has tripped.
	The washing machine has switched off automatically to save energy. <ul style="list-style-type: none">■ Switch the washing machine on again by turning the programme selector.
F and 34 appear alternately on the time display.	The door is not closed properly. The door lock could not engage. <ul style="list-style-type: none">■ Close the door again.■ Start the programme again. If the fault message appears again, contact the Miele Customer Service Department.

Programme cancellation and error message



Problem	Cause and remedy
<p>The fault indicator light  lights up, <i>F</i> and <i>l0</i> appear alternately on the time display and the buzzer sounds.</p>	<p>The water inlet is blocked or restricted.</p> <ul style="list-style-type: none"> ■ Check whether the stopcock has been properly opened. ■ Check whether the inlet hose is kinked. ■ Check whether there is sufficient water pressure. <p>The filter in the water inlet is blocked.</p> <ul style="list-style-type: none"> ■ Clean the filter.
<p>The fault indicator light  lights up, <i>F</i> and <i>ll</i> appear alternately on the time display and the buzzer sounds.</p>	<p>The drain is blocked or restricted. The drain hose has been fixed too high.</p> <ul style="list-style-type: none"> ■ Clean the drain filter and the drain pump. ■ The maximum drain height is 1 m.
<p><i>F</i> and <i>XXX</i> appear alternately on the time display and the buzzer sounds.</p>	<p>There is a fault.</p> <ul style="list-style-type: none"> ■ Disconnect the washing machine from the mains electricity supply, either by switching it off at the wall socket and withdrawing the plug, or by disconnecting it at the circuit breaker. ■ Wait at least 2 minutes before reconnecting the washing machine to the electricity supply. ■ Switch the washing machine on again. ■ Restart the programme. <p>If the fault message appears again, contact the Customer Service Department.</p>
<p>The fault indicator light  lights up, <i>F</i> and <i>l38</i> appear alternately on the time display and the buzzer sounds.</p>	<p>The water protection system has reacted.</p> <ul style="list-style-type: none"> ■ Close the stopcock. ■ Call the Miele Customer Service Department.

Problem solving guide


-0- symbol on the time display

Problem	Cause and remedy
-0- lights up	The programme selector was moved to a different position after the programme had started. <ul style="list-style-type: none">■ Turn the programme selector back to the original position.
	The programme has been interrupted. <ul style="list-style-type: none">■ Open the door.■ Close the door.

Fault indicator light at the end of a programme


Problem	Cause and remedy
The  indicator light lights up.	When washing, a wash programme using a temperature above 60 °C has not been run for a long time. <ul style="list-style-type: none">■ In order to prevent bacteria and unpleasant odours building up in the machine, run the <i>Cottons 90 °C</i> programme using a universal powder detergent.
The  indicator light lights up.	Excessive foam has built up during washing. <ul style="list-style-type: none">■ Use less detergent next time and follow the manufacturer's instructions on dosage given on the packaging.

An unsatisfactory wash result

Problem	Cause and remedy
<p>Liquid detergent does not give the required result.</p>	<p>Liquid detergents usually contain no bleaching agents. They do not remove fruit, coffee, and tea stains.</p> <ul style="list-style-type: none"> ■ Use a general purpose powder detergent containing a bleaching agent. ■ Pour stain removers into the  drawer in the dispenser compartment and liquid detergent into a dispenser ball. ■ Never put stain removers and liquid detergent together in the dispenser drawer.
<p>White residues which look like powder detergent are seen on dark textiles after washing.</p>	<p>The detergent contained compounds (zeolites) to aid water softening which are not soluble in water. These have ended up on the laundry.</p> <ul style="list-style-type: none"> ■ Try to brush off the residues with a soft brush once the laundry is dry. ■ In future, wash dark textiles using a detergent which contains no zeolites. Liquid detergents usually contain no zeolites.
<p>Textiles with particularly greasy soiling are not properly clean.</p>	<ul style="list-style-type: none"> ■ Select a programme with pre-wash. Use liquid detergent for the pre-wash. ■ Continue to use universal powder detergent for the main wash. <p>The use of heavy-duty detergent is recommended in the main wash for very heavily soiled work clothing. Please seek advice from the detergent manufacturer.</p>
<p>Grey, greasy particles cling to washed laundry.</p>	<p>Insufficient amounts of detergent were used. The laundry was heavily soiled with grease (oils, ointments).</p> <ul style="list-style-type: none"> ■ Use more detergent or use liquid detergent with this type of soiled laundry. ■ Before washing the next load, run a 60 °C programme with liquid detergent but without a load.

Problem solving guide

General problems

Problem	Cause and remedy
The machine shakes during the spin cycle.	<p>The machine feet are not level and not secured.</p> <ul style="list-style-type: none"> ■ Level the machine and adjust the feet correctly.
Strange pump noises can be heard.	<p>This is not a fault. These slurping noises occur at the start and end of a pump sequence as a normal part of the operation.</p>
Large amounts of detergent residue remain in the detergent dispenser drawer.	<p>The water pressure is too low.</p> <ul style="list-style-type: none"> ■ Clean the filters in the water inlet.
	<p>Powder detergent used in conjunction with water softeners tends to become sticky.</p> <ul style="list-style-type: none"> ■ Clean the detergent dispenser drawer and, in future, add detergent into the drawer first, and then add the water softener.
Fabric softener is not completely dispensed or too much water remains in the  compartment.	<p>The siphon tube is not correctly positioned or is clogged.</p> <ul style="list-style-type: none"> ■ Clean the siphon, see “Cleaning and care – Cleaning the detergent dispenser compartment”.
The laundry has not been spun properly. The laundry is still wet.	<p>The machine detected a high level of imbalance during the final spin and reduced the spin speed automatically.</p> <ul style="list-style-type: none"> ■ Include both large and small items in the load as this will achieve better distribution.
There is still liquid in the capsule at the end of the programme.	<p>There is a blockage in the small pipe in the detergent drawer onto which the capsule is placed.</p> <ul style="list-style-type: none"> ■ Clean the small pipe.
	<p>Not a fault! For technical reasons, a small amount of water will remain in the capsule.</p>

General problems with the washing machine

Problem	Cause and remedy
There is water next to the capsule in the fabric conditioner compartment.	The <i>CapDosing</i> sensor control was not activated or an empty capsule was not removed at the end of the last wash programme. <ul style="list-style-type: none"> ■ Activate the <i>CapDosing</i> sensor control when a capsule is next used. ■ Remove and dispose of the empty capsule at the end of each programme.
	There is a blockage in the small pipe in the detergent drawer onto which the capsule is placed. <ul style="list-style-type: none"> ■ Clean the small pipe.

The door will not open

Problem	Cause and remedy
The door cannot be pulled open during a wash cycle.	The door is locked during the wash cycle. <ul style="list-style-type: none"> ■ Touch the <i>Start/Add laundry</i> sensor control to cancel the programme. The programme is cancelled, the door will unlock and you will be able to pull it open.
	There is still water in the drum and the washing machine is unable to drain. <ul style="list-style-type: none"> ■ Clean the drain filter and drain pump as described in “Problem solving guide – Opening the door in the event of a blocked drain outlet and/or power failure”.
After the programme is cancelled, flashing bars <i>LL...LL...LL...</i> appear in the time display.	For safety reasons the drum door cannot be opened if the suds temperature is higher than 55 °C. <ul style="list-style-type: none"> ■ Wait until the temperature in the drum has decreased and the bars have stopped flashing in the display.
F and 35 alternately appear in the time display.	The door lock has jammed. <ul style="list-style-type: none"> ■ Call the Service Department.

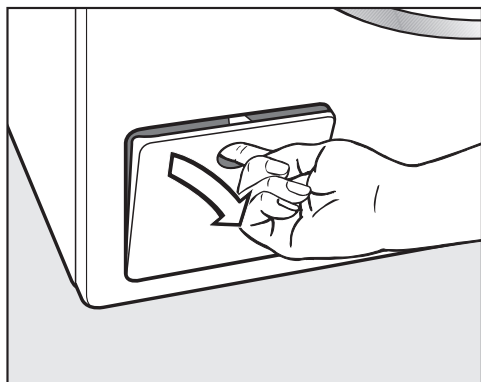
Problem solving guide

Opening the door in the event of a blocked drain outlet and/ or power cut

⚠ Risk of electric shock.

Only ever perform cleaning and maintenance work when the appliance is disconnected from the power.

Disconnect the washing machine from the mains electricity supply.



- Open the access panel to the drain system.

Blocked drain outlet

If the drain outlet is blocked, there may be a large quantity of water (max. 30 l) left behind in the washing machine.

⚠ Risk of scalding due to hot suds.

Escaping suds will be hot if laundry has been washed at high temperatures.

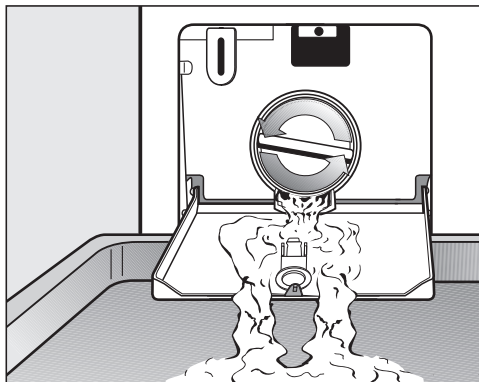
Carefully allow all suds to drain off.

Emptying the drum

....For machines with a drain pump

- Place a suitable container under the access flap.

Remove the drain filter, though not completely.

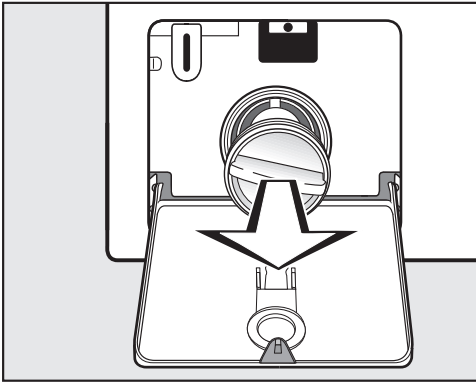


- Slowly unscrew the drain filter to let the water out.
- Tighten the drain filter back up again if you need to interrupt the flow of water.

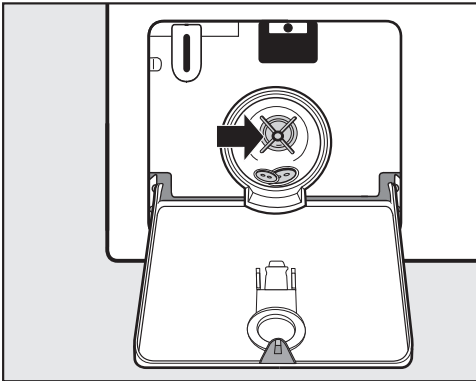
Problem solving guide

Cleaning the drain filter

Once the flow of water ceases:



- Remove the drain filter completely.
- Clean the drain filter thoroughly.



- Check the drain pump impellers to make sure they can rotate freely.
- Remove any foreign objects (e.g. buttons, coins, etc.) and clean the interior.
- Put the drain filter back in place and secure it.

 Water damage.

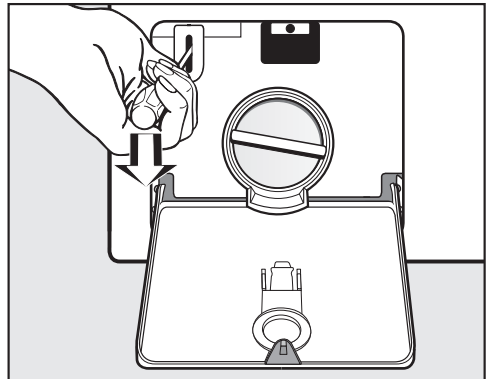
Water will escape from the machine if you forget to replace the drain filter. Replace the drain filter correctly and tighten it securely.

Opening the door

 Danger of injury due to rotating drum.

Reaching into a moving drum is extremely dangerous.

Always make sure that the drum is stationary before reaching in to remove laundry.



- Use a screwdriver to unlock the door.
- Pull open the door.

Miele Service

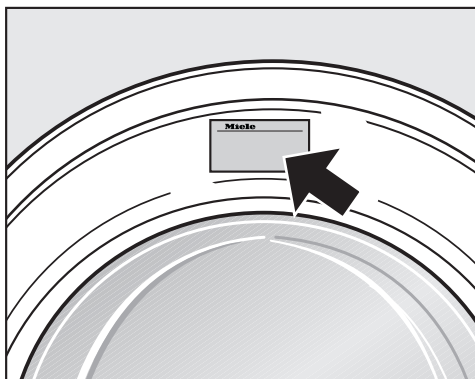
Contact in case of malfunction

In the event of any faults which you cannot remedy yourself, please contact your Miele Dealer or Miele Service.

Contact information for Miele Service can be found at the end of this document.

Please quote the model and serial number of your appliance when contacting Miele Service. This information can be found on the data plate.

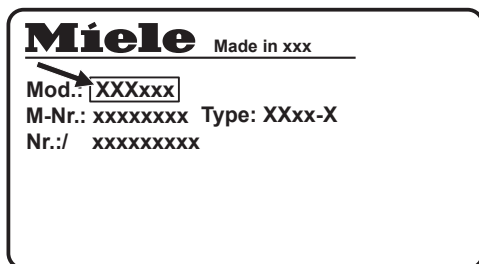
The data plate is found above the porthole glass when the washing machine door is opened:



EPREL database

From 1 March 2021, information on energy labelling and ecodesign requirements will be available in the European Product Database (EPREL). You can find the product database at the following link <https://eprel.ec.europa.eu/>. You will be asked to enter the model identifier.

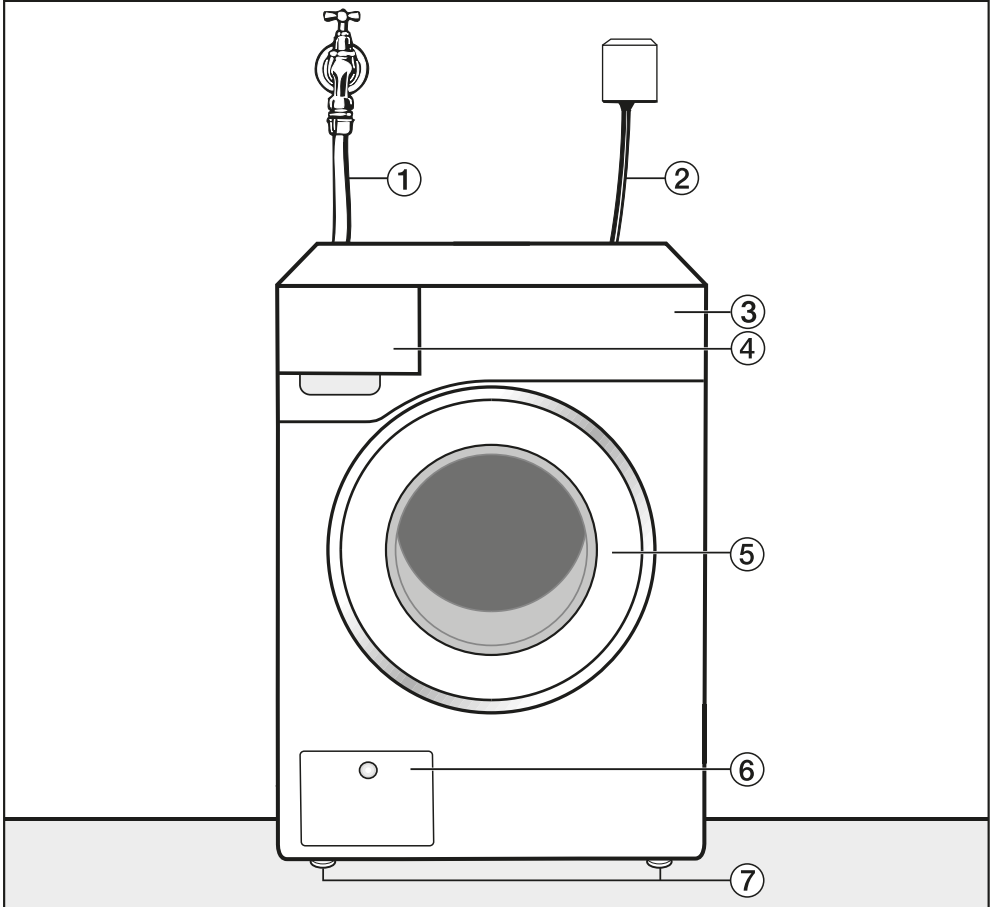
The model identifier can be found on the data plate.



Optional accessories

Optional spare parts and accessories for this washing machine are available from Miele.

Front view



① Inlet hose (cold water)

② Electrical connection

③ Control panel

④ Detergent drawer

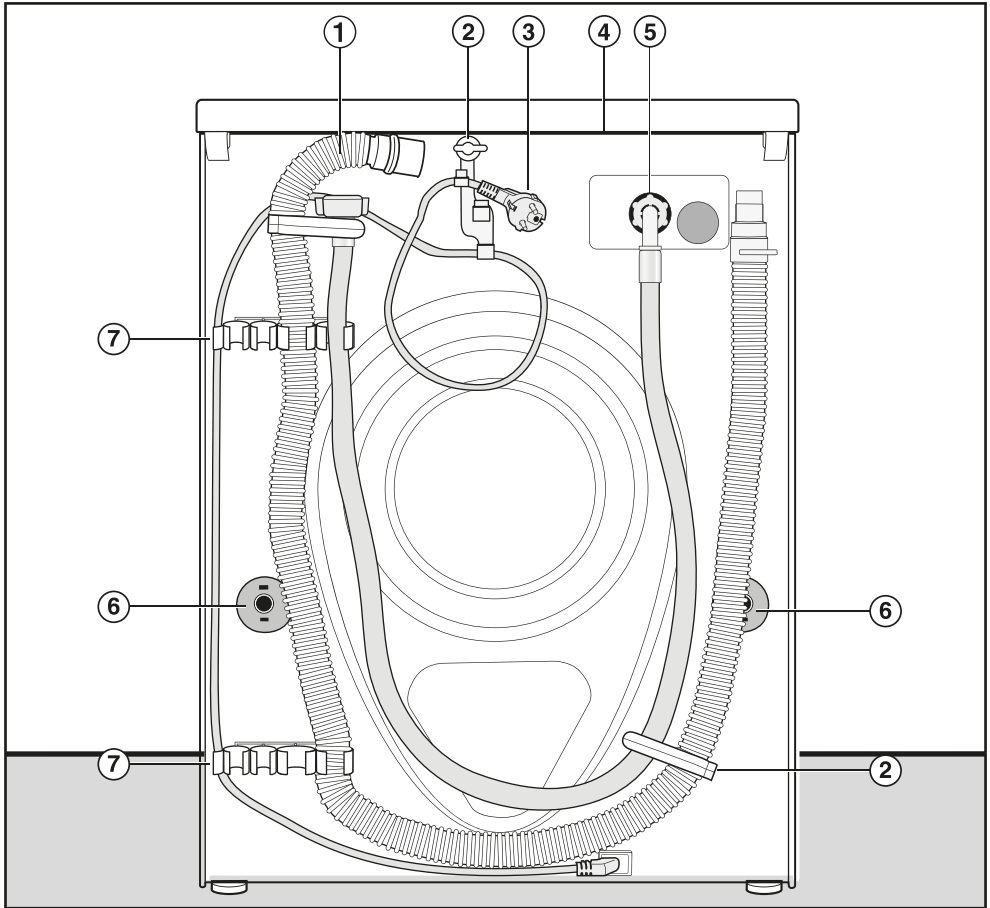
⑤ Door

⑥ Access flap to drain filter and drain pump

⑦ Height-adjustable feet

Installation

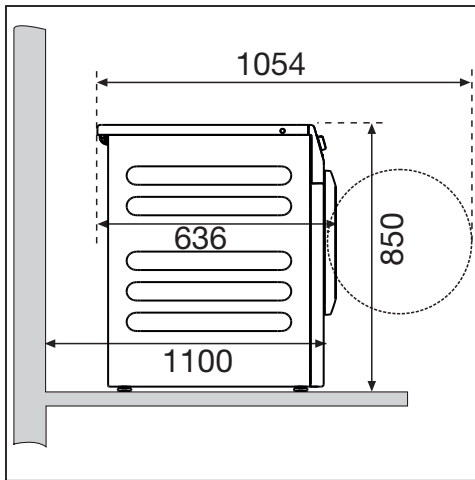
Rear view



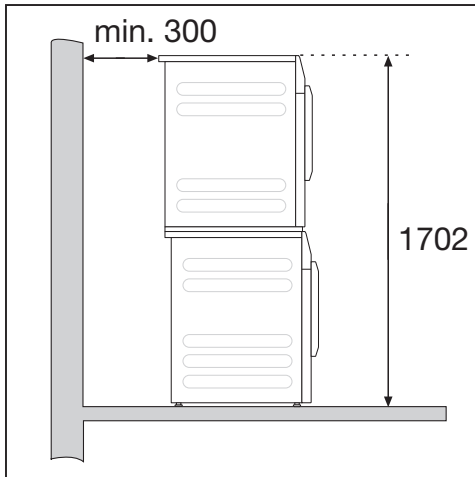
- ① Drain hose
- ② Transport clips for inlet and drain hoses
- ③ Electrical connection
- ④ Protruding lid for holding when moving the appliance
- ⑤ Inlet hose
- ⑥ Safety caps for transit bars
- ⑦ Transport clips for inlet and drain hoses and for storing transit bars when not in use

Installation locations

Side view



Washer-dryer stack



The washing machine can be installed as a washer-dryer stack together with a Miele tumble dryer. This requires a Miele washer-dryer stacking kit which can be purchased separately.

Installation on a plinth

The washing machine can be installed on a steel plinth (open or closed, available as an optional Miele accessory) or on a concrete plinth.

! Injury can occur if the washing machine has not been adequately secured.

When installing the machine on a plinth, there is the danger of the washing machine falling off the plinth during spinning.

Secure the washing machine using the clamps supplied.

Installation notes

! Risk of damage due to moisture ingress.

Moisture can damage electrical components.

Do not install the machine near or directly above an open gully or floor drain.

Installation

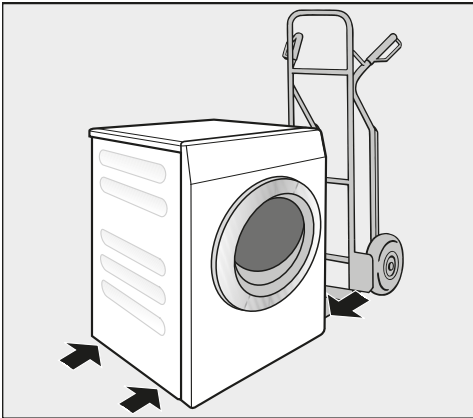
Transporting the washing machine to its installation site

⚠ Danger of injury from incorrect transport.

If the washing machine tips up there is a danger of injury to people and damage to property.

Make sure the washing machine is stable during transportation.

Transporting the washing machine with a sack truck



- If transporting the washing machine with a sack truck, make sure its left or right side is resting on the truck.

⚠ Risk of damage from incorrect transport.

The front or back of the washing machine may be damaged if the machine is transported with a sack truck.

Always insert the sack truck under one of the sides of the washing machine.

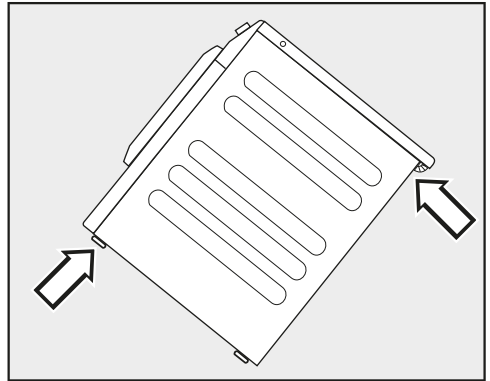
Transporting the washing machine to its installation site

The protruding lid at the back can be used to hold the machine when transporting.

⚠ Danger of injury due to unsecure lid.

The fixings at the back of the lid could break as a result of external forces. There is a danger of the lid being pulled off when carrying the machine.

Before carrying the machine, check that the lid is secure where it protrudes at the back of the machine.



- Carry the washing machine by the front feet and by the lid where it protrudes at the back of the appliance.

Installation surface

A concrete floor is the most suitable installation surface, being far less prone to vibration during the spin cycle than wooden floorboards or a carpeted surface.

- The machine must be level and securely positioned.
- To avoid vibrations during spinning, the machine should not be installed on soft floor coverings.

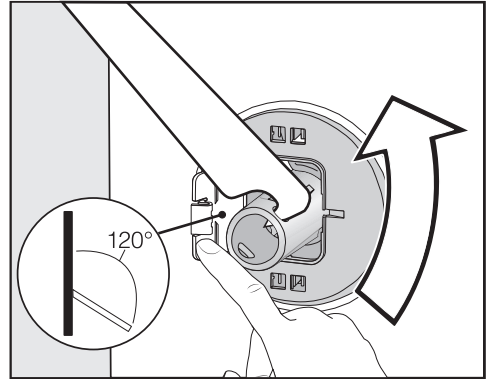
If installing on a wooden joist floor:

- Install the machine on a plywood base (at least 70 x 60 x 3 cm). The base should span several joists and be bolted to the joists and not only to the floorboards.

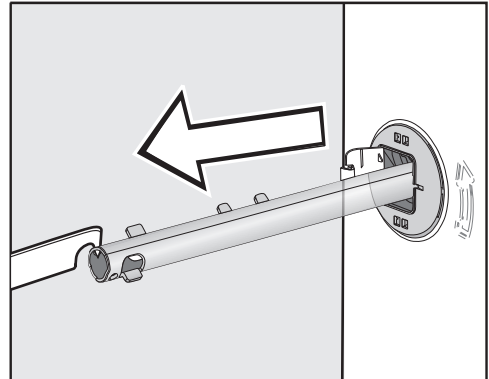
Tip: If possible, install the machine in a corner of the room. This is usually the most stable part of the floor.

Removing the transit bars

Removing the left-hand transit bar



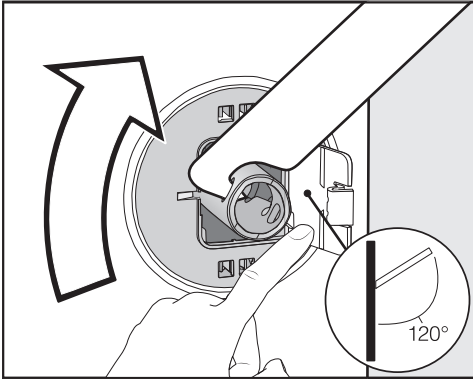
- Push the cover out and turn the left-hand transit bar 90° using the spanner supplied.



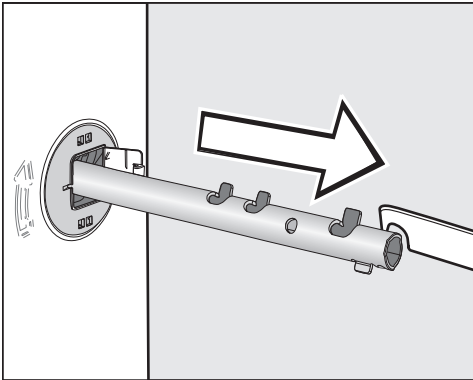
- Withdraw the transit bar.

Installation

Removing the right-hand transit bar



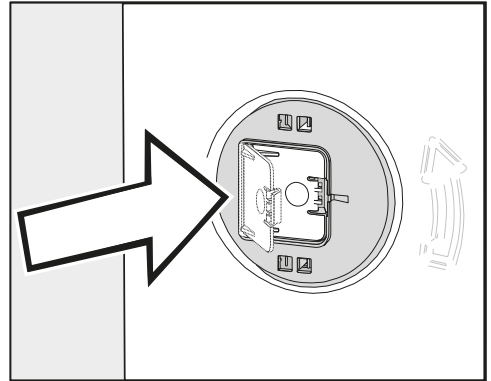
- Push the cover out and turn the left-hand transit bar 90° using the spanner supplied.



- Withdraw the transit bar.

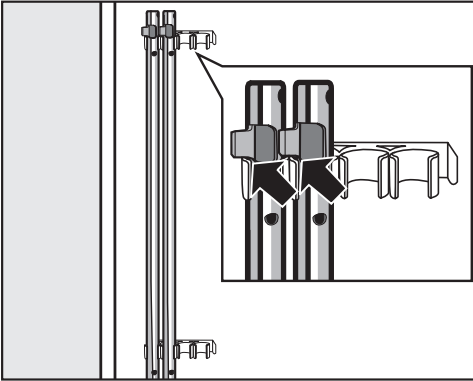
Covering holes

⚠ Risk of injury from sharp edges. There is a risk of injury from reaching into holes that are not covered. Cover the holes for the transit bars after they have been removed.




- Push the covers in firmly until they engage in position.

Securing the transit bars



- Secure the transit bars to the back of the washing machine. Make sure that the top catch is located above the holder.

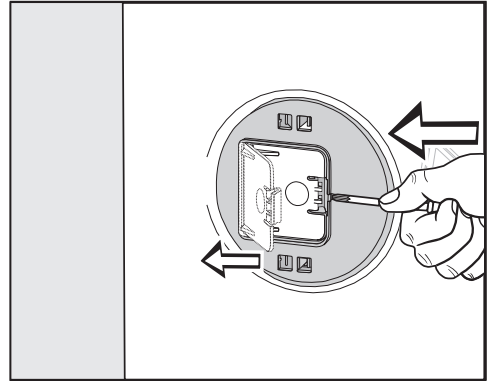
 Risk of damage from incorrect transport.

The washing machine may become damaged if moved without the transit bars in place.

Keep the transit bars in a safe place. Fit them again if the machine is to be moved (e.g. when moving house).

Fitting the transit bars

Opening the covers



- Press against the retainer with a sharp object (a narrow screwdriver, for example).

The cover opens.

Fitting the transit bars

- To fit the bars, follow the instructions for removing them in reverse order.

Tip: The bars will slide in more easily if you lift the drum slightly.

Installation

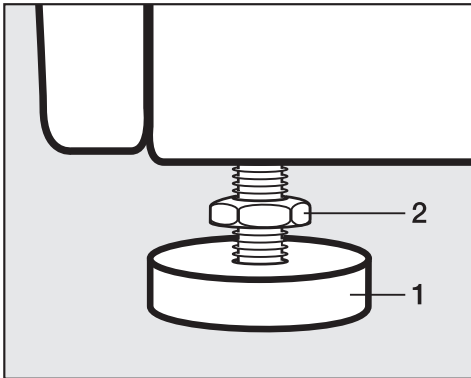
Levelling the washing machine

The washing machine must stand perfectly level on all four feet to ensure safe and proper operation.

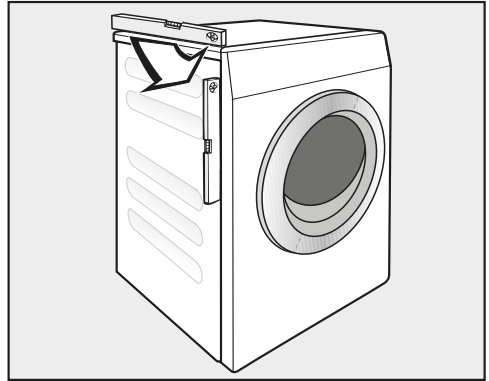
Incorrect installation may increase electric and water consumption and may cause the machine to move about.

Screwing out and adjusting the feet


The 4 adjustable screw feet are used for levelling the washing machine. The machine is supplied with all four feet screwed in.



- Using the spanner supplied, turn counter nut **2** in a clockwise direction. Then turn counter nut **2** together with foot **1** to unscrew.



- Use a level to check that the washing machine is standing level.
- Hold foot **1** securely with a pipe wrench. Turn counter nut **2** again using the spanner supplied until it sits firmly up against the housing.

 Risk of damage due to incorrectly aligned washing machine. There is a danger of the washing machine moving about if the feet are not secured.

Turn all 4 counter nuts for the feet until they sit firmly up against the housing. Please also check this for the feet which did not need adjustment.

Holding bracket for plinth

The holding bracket prevents the washing machine from falling off the plinth during operation.

Fastening with the holding bracket is only intended for plinths made from concrete. The plinth must be flat and level. The surface below the plinth must be able to withstand the physical loads. Prior to installation, check whether the plinth complies with the minimum dimensions.

Height: 6 cm

Width: 60 cm

Depth: 65 cm

Positioning the holding bracket

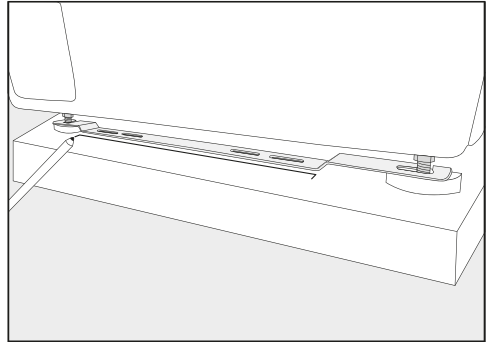


Risk of injury from sharp edges. The holding bracket has sharp edges. You could cut yourself on the edges.

Take care when handling the holding bracket.

Wear gloves while installing the holding bracket.

The front appliance feet must protrude by at least 3 mm. The washing machine must already be aligned (see "Installation – Aligning the washing machine")

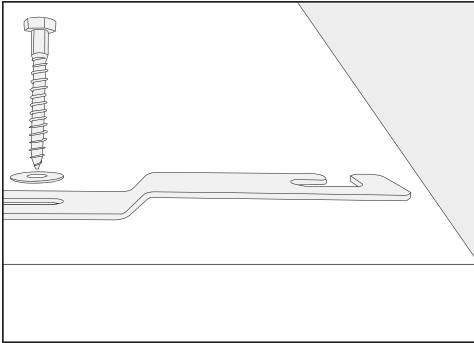


- Place the holding bracket on the front appliance feet.
- Mark the position of the front edge of the holding bracket with a pencil.
- Remove the holding bracket from the feet.
- Carefully move the washing machine until you have enough space to install the holding bracket.

Installation

Installing the holding bracket

- Place the holding bracket on the marking on the plinth.
- In the middle of the two outer slotted holes, mark a point for each drill hole.
- Drill 2 holes (8 mm) with a depth of approx. 55 mm.
- Insert the plugs in the holes.

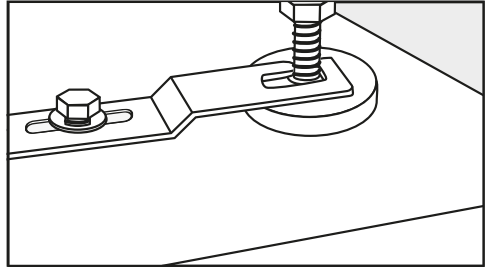


- Install the holding bracket with the hexagon screws and the washers.

Do not tighten the screws yet – this will allow the holding bracket to be moved sideways.

Securing the washing machine with the holding bracket


- Push the washing machine back on to the installed holding bracket.



- Insert the appliance feet (the part between the foot and the locknut) into the openings in the holding bracket.
- Push the holding bracket to the right as far as it will go.
- Tighten the hexagon screws using a spanner.

The washing machine is secured in the holding bracket.

Installing under a continuous worktop

 Risk of electric shock due to exposed cables

There is a risk of coming into contact with live parts while the lid is removed.

Do not remove the washing machine lid.

This washing machine (with lid intact) can be pushed under a countertop if there is space to do so.

Installation

Water connection

Cold water connection

The washing machine should be connected to the mains water supply in accordance with current local and national safety regulations. The German authorities do not require it to have a non-return valve as the washing machine has been designed to comply with DIN regulations.

The flow pressure must amount to a minimum of 100 kPa and must not exceed 1000 kPa. If the pressure exceeds 1000 kPa, a pressure reducing valve must be installed.

For the connection, a stopcock with a $\frac{3}{4}$ " screw thread is required. If this type of stopcock is not available, only a qualified installer may connect the washing machine to the mains water supply.

The connection point is subject to mains water pressure.

You should therefore open the stopcock slowly and check for leaks. Correct the position of the seal and screw thread if appropriate.

The washing machine is not suitable for connection to a hot water supply.

Maintenance

Only use genuine Miele hoses that have been tested to withstand pressure of at least 7000 kPa should you ever need a replacement.

A filter is located in the open end of the inlet hose and another in the intake point to protect the water inlet valve.

Neither filter may be removed.

Hose extension

Longer hoses 2.5 or 4.0 m in length are available from Miele dealers or the Miele Customer Service Department as optional extras.

Drainage

Drain pump

The suds are drained through a drain pump with a 1 m delivery head. For the water to drain freely, the hose must be free of kinks. The elbow piece (accessory) can be hooked onto the end of the hose.

Drainage options

1. Connected securely to a plastic drain pipe with a rubber nipple (there is no need to use a siphon).
2. Connected securely to a washbasin with a plastic nipple.
3. Connected securely to a floor drain (gully).

If required, the hose can be extended to a length of up to 5 m. Accessories are available from Miele or from your Miele dealer.

For a drain height of more than 1 m (up to a max. of 1.6 m), a replacement drain pump is available from Miele or from your Miele dealer.

Installation

Electrical connection

This description applies to washing machines both with and without a mains plug.

The following applies to washing machines with a mains plug:

- The washing machine is ready to be connected.
- The electrical socket must be easily accessible after installation so that the machine can be disconnected from the electricity supply if necessary.



Damage caused by incorrect supply voltage.

The data plate indicates the nominal power consumption and the appropriate fuse rating.

Compare the specifications on the data plate with those of the mains electricity supply and make sure that they match.

The washing machine may only be connected to a permanent electrical system that conforms to the national and local codes and regulations.

Do not connect the machine to an extension lead or multi-socket adapter as they do not guarantee the required safety of the appliance (e.g. danger of overheating).

If the machine is hard wired, an all pole circuit breaker must be provided on-site. When switched off there must be an all-pole contact gap of at least 3 mm in the isolator switch (including miniature circuit breaker, switch, fuses and

relays according to IEC/EN 60947). This connection process must be performed by a qualified electrician.

The plug connector or isolator switch should be easily accessible at all times.



Risk of electric shock.

If the washing machine is disconnected from the mains, protective measures must be taken to ensure that the point of disconnection cannot accidentally be switched on again.

Make sure the isolator is lockable or the point of disconnection is monitored at all times.

New connections, modifications to the system, or servicing of the earthing conductor, including determining the correct fuse amperage, must be carried out by a qualified electrician, as they are familiar with the pertinent regulations and the specific requirements of the electric utility company.

Single phase AC 230 V – country variant 230V 25A


This device is intended for connection to a power supply system where the maximum value of external phase neutral loop impedance Z_{max} of 0.38 Ohms at the point of distributor supply connection is not exceeded.

The user has to ensure that this device is connected only to a power supply system which fulfils the requirement above. If in doubt, please ask your electrical distributor for actual impedance value.

Technical data

Height	850 mm
Width	596 mm
Width (machines with a stainless steel lid)	605 mm
Depth	636 mm
Depth with door open	1054 mm
Weight	Approx. 90 kg
Maximum floor load in operation	3000 newtons
Capacity	7.0 kg dry laundry
Supply voltage	See data plate on back of appliance
Rated load	See data plate on back of appliance
Fuse rating	See data plate on back of appliance
A-rated sound emissions L_{pA} in accordance with EN ISO 11204/11203	< 70 dB re 20 μ Pa
Minimum water flow pressure	100 kPa (1 bar)
Maximum water flow pressure	1000 kPa (10 bar)
Water inlet hose length	1.55 m
Drain hose length	1.50 m
Connection cable length	2.00 m
Product safety standard	EN 50571, EN 60335
Test certifications awarded	See data plate
Power consumption in off mode	0,40 W

Consumption data

	Load	Consumption data			Residual moisture in %	
		Energy in kWh	Water in litres	Cycle dur- ation h:min		
Cottons  ¹	<60°C	7.0 kg	0.76	45	2:59	48
	<60°C	3.5 kg	0.72	38	2:59	48
	<40°C	3.5 kg	0.56	38	2:59	48
Cottons	90 °C	7.0 kg	2.20	59	1:36	49
	60 °C	7.0 kg	1.10	49	1:19	49
	60 °C	3.5 kg	0.88	45	1:19	49
	40 °C	7.0 kg	0.55	49	1:19	49
	40 °C	3.5 kg	0.42	45	1:19	49
Minimum iron	40 °C	4.0 kg	0.40	41	0:54	32

Note for test institutes:

¹ Test programmes in accordance with EN 60456 and energy label according to EU Directive 1061/2010

Consumption data can vary from the nominal values given depending on water pressure, water hardness, water inlet temperature, room temperature, type and volume of load, fluctuations in the electricity supply and any Extras selected.

Consumption data

Consumption data valid as of 01.03.2021

Programme	Load kg	Energy kWh	Water Litres	Programme running time h:min	Temperat- ure ¹ °C	Residual moisture %	Speed rpm
ECO 40-60*	7.0	0.63	45	3:19	38	48	1400
	3.5	0.41	38	2:39	30	48	1400
	2.0	0.23	26	2:39	26	49	1400
Cottons	7.0	1.10	49	1:19	56	49	1400
	7.0	0.35	49	0:54	20	49	1400
Minimum iron	4.0	0.35	41	0:54	26	32	1200
Express	3.5	0.30	30	0:20	30	60	1400

* Test programme for compliance with EU legislation regarding ecodesign 2019/2023 and energy labelling in accordance with Regulation No. 2019/2014

1 Maximum laundry temperature reached in main wash.

Consumption data can vary from the nominal values given depending on water pressure, water hardness, water inlet temperature, room temperature, type and volume of load, fluctuations in the mains voltage and any extra options selected.

The programmable functions are used to alter the machine's electronics to suit changing requirements. Programmable functions can be altered at any time.

Programming is carried out in 9 steps (1, 2, 3 ... 9) using the sensor controls.

Opening the programming level

Prerequisites:

- The washing machine is switched on and the programme selector is pointing to a wash programme.
- The washing machine door is open.
- 1 Touch the *Start/Add laundry* sensor control and hold it down whilst carrying out steps 2–3.
- 2 Close the washing machine door.
- 3 Wait until the *Start/Add laundry* sensor control lights up constantly ...
- 4 ... and then release the *Start/Add laundry* sensor control.

After a few seconds, *P12* will light up on the time display.

Choosing and selecting a programmable function

The number of the programmable function will appear on the time display as *P* and a number, e.g. *P12*.

- 5 Touch the > or < sensor control to scroll to the next or previous programmable function:

Programmable functions	
<i>P12</i>	End of programme tone
<i>P13</i>	Keypad tone
<i>P14</i>	PIN code
<i>P22</i>	Control field switch-off status
<i>P24</i>	Memory
<i>P26</i>	Additional pre-wash time
<i>P29</i>	Temperature reduction
<i>P32</i>	Maximum rinse level
<i>P33</i>	Suds cooling
<i>P34</i>	Anti-crease
<i>P49</i>	Low water pressure
<i>P52</i>	Backlight brightness dimmed
<i>P53</i>	Welcome tone

- 6 Confirm the selected programmable function by touching the *Start/Add laundry* sensor control.

Programmable functions

Editing and saving a programmable function

You can switch a programmable function on/off or select different options.

- 7 Touch the > or < sensor control to switch a programmable function on/off or to select an option.

Programmable function	Available options				
	-00	-01	-02	-03	-04 to -07
P12	O	X	X		
P13	X	O	X		
P14	O	X			
P22	X	O			
P24	O	X			
P26	O	X	X	X	
P29	O	X			
P32	O	X			
P33	X	O			
P34	X	O			
P49	O	X			
P62		X	X	O	X
P63	O	X	X		


X = Can be selected

O = Factory default setting

- 8 Confirm the chosen selection with the *Start/Add laundry* sensor control.

The number of the programmable function, e.g. P13, will then light up again.

Exiting the programming level

- 9 Turn the programme selector to the  position.

The settings you have selected are now stored in the memory. You can alter the settings again at any time.

P12 End of programme tone

The tone that sounds at the end of a programme can be changed or switched off.

Options

- 00 = Off (**factory default setting**)
- 01 = Normal
- 02 = Loud

P13 Sensor control tone

The tone that sounds when a sensor control is pressed can be changed or switched off.

Options

- 00 = Off
- 01 = Normal (**factory default setting**)
- 02 = Loud

P14 PIN code

The PIN code prevents the washing machine being used without your knowledge.

If you activate the PIN code, you have to enter a PIN code after switching the washing machine on. Otherwise it cannot be operated.

Options

- 00 = Off (**factory default setting**)
- 01 = On

If the -01 option has been selected, you will have to enter the PIN code before you can operate the washing machine.

Using the washing machine with a PIN code

The code is **125** and cannot be altered.

- Switch on the washing machine.

___ appears on the time display and the > and < sensor controls light up.

- Touch the > sensor control twice.

! __ appears on the time display.

- Confirm the number with the *Start/Add laundry* sensor control.

The first number has been saved and you can now enter the second number using the > and < sensor controls.

- Enter the second and third numbers and confirm the numbers with the *Start/Add laundry* sensor control.

The lock is released and a wash programme can now be selected and started.

Programmable functions

P22 Control field switch-off status

To save energy, the time display and sensor controls will go out after 10 minutes, and only the *Start/Add laundry* sensor control will flash slowly.

Options

-00 = Off

The time display and sensor controls will remain lit up while the washing machine is switched on.

-01 = On (**factory default setting**)

The time display and sensor controls will switch off after 10 minutes if the programme is started.

However, the time display and sensor controls will remain lit up for 10 minutes after a Delay start period has elapsed, after the end of a programme or at the end of the Anti-crease phase.

P24 Memory

The washing machine will save the settings (temperature, spin speed) which have been selected for a programme after the programme has started.

When the programme is chosen again, the saved settings will appear on the display.

Options

-00 = Memory is switched off (**factory default setting**)

-01 = Memory is switched on

P26 Additional long pre-wash – Cottons

If you require a longer pre-wash, you can extend the pre-wash time.

Options

-00 = **No** increase in the pre-wash time (**factory default setting**)

-01 = **+ 6 minutes** increase in the pre-wash time

-02 = **+ 9 minutes** increase in the pre-wash time

-03 = **+ 12 minutes** increase in the pre-wash time

P29 Temperature reduction

At high altitudes, water has a lower boiling point. Miele recommends activating the Temperature reduction setting at altitudes of 2000 m or above to prevent water from boiling.

Options

- 00 = The Temperature reduction setting is switched off (**factory default setting**)
- 01 = The Temperature reduction setting is switched on

P32 Maximum rinse level

The water level in the rinses can be permanently set to the highest value in the *Cottons* and *Minimum iron* programmes.

This function is important for allergy sufferers as it achieves excellent wash results. The water consumption will be increased.

Options

- 00 = Maximum rinse level is switched off (**factory default setting**)
- 01 = Maximum rinse level is switched on

P33 Suds cooling

Additional water flows into the drum at the end of the main wash to cool the suds down.

Suds cooling takes place when the *Cottons* programme with a temperature of 70 °C or higher is selected.

Suds cooling should be activated:

- To prevent the danger of scalding if the drain hose is hooked over the edge of a sink or basin
- Where the drainage pipes do not comply with DIN 1986

Options

- 00 = Suds cooling is switched off
- 01 = Suds cooling is switched on (**factory default setting**)

Programmable functions

P34 Anti-crease

The Anti-crease function reduces creasing after the end of the programme.

At the end of the programme, the drum continues to turn at intervals for up to 30 minutes. The washing machine door can be opened at any time.

Options

- 00 = The Anti-crease function is switched off
- 01 = The Anti-crease function is switched on (**factory default setting**)

P49 Low water pressure

If the water pressure is below 100 kPa (1 bar), the programme will be cancelled. If the on-site water pressure cannot be increased, activating the setting will prevent the programme from being cancelled prematurely.

Options

- 01 = Off (**factory default setting**)
- 02 = On

P62 Backlight brightness dimmed

The brightness of the dimmed sensor controls in the control field can be set to one of seven different levels.

The brightness changes as soon as you select a different setting.

Options

- 01 = Darkest level
- ↓
- 07 = Brightest level
- 03 = (**Factory default**)

P63 Welcome tone

The tone that sounds when the washing machine is switched on can be changed or switched off.

Options

- 00 = Off (**factory default setting**)
- 01 = Normal
- 02 = Loud

United Kingdom

Miele Co. Ltd., Fairacres, Marcham Road
Abingdon, Oxon, OX14 1TW
Professional Sales, Tel: 0845 365 6608
E-mail: professional@miele.co.uk
Internet: www.miele.co.uk/professional

Australia

Miele Australia Pty. Ltd.
ACN 005 635 398, ABN 96 005 635 398
1 Gilbert Park Drive, Knoxfield, VIC 3180
Tel: 1300 731 411
Internet: www.miele.com.au/professional
E-mail: sales@miele-professional.com.au

China Mainland

Miele Electrical Appliances Co., Ltd.
1-3 Floor, No. 82 Shi Men Yi Road
Jing' an District, 200040 Shanghai, PRC
Tel: +86 21 6157 3500, Fax: +86 21 6157 3511
E-mail: info@miele.cn, Internet: www.miele.cn

Hong Kong, China

Miele (Hong Kong) Ltd.
41/F - 4101, Manhattan Place
23 Wang Tai Road, Kowloon Bay, Hong Kong
Tel: (852) 2610 1025, Fax: (852) 3579 1404
Email: customerservices@miele.com.hk
Website: www.miele.hk

India

Miele India Pvt. Ltd.
1st Floor, Copia Corporate Suites,
Commercial Plot 9, Mathura Road, Jasola,
New Delhi - 110025
E-mail: customercare@miele.in, Website: www.miele.in

Ireland

Miele Ireland Ltd.
2024 Bianconi Ave., Citywest Business Campus, Dublin 24
Tel: (01) 461 07 10, Fax: (01) 461 07 97
E-Mail: info@miele.ie, Internet: www.miele.ie

Malaysia

Miele Sdn Bhd
Suite 12-2, Level 12
Menara Sapura Kencana Petroleum
Solaris Dutamas No. 1, Jalan Dutamas 1
50480 Kuala Lumpur, Malaysia
Phone: +603-6209-0288
Fax: +603-6205-3768

New Zealand

Miele New Zealand Limited
IRD 98 463 631
8 College Hill
Freemans Bay, Auckland 1011, NZ
Tel: 0800 464 353
Internet: www.miele.com.au/professional
E-mail: sales@miele-professional.com.au

Singapore

Miele Pte. Ltd.
29 Media Circle, #11-04 ALICE@Mediapolis
Singapore 138565
Tel: +65 6735 1191, Fax: +65 6735 1161
E-Mail: info@miele.com.sg
Internet: www.miele.sg

South Africa

Miele (Pty) Ltd
63 Peter Place, Bryanston 2194
P.O. Box 69434, Bryanston 2021
Tel: (011) 875 9000, Fax: (011) 875 9035
E-mail: info@miele.co.za
Internet: www.miele.co.za

United Arab Emirates

Miele Appliances Ltd.
Showroom 1, Eiffel 1 Building
Sheikh Zayed Road, Umm Al Sheif
P.O. Box 114782 - Dubai
Tel. +971 4 3044 999, Fax. +971 4 3418 852
800-MIELE (64353)
E-Mail: info@miele.ae, Website: www.miele.ae



Manufacturer: Miele & Cie. KG
Carl-Miele-Straße 29, 33332 Gütersloh, Germany

PWM 300 SmartBiz

en-GB

M.-Nr. 11 603 160 / 00