



CLARK  
BROTHERS  
INSTRUMENT



# INSTRUMENTS & ACCESSORIES



*WHERE ACCURACY MEETS PERFORMANCE*



## ◀◀ Welcome from Thomas F. Wright Sr.

Welcome and thank you for your interest in Clark Brothers Instrument Company and our products. Our company is pleased to be able to supply your requirements for Gauges, Cables, Adapters, Control Assemblies and Test & Tune Equipment. It is because of your support that we will soon be celebrating our 50th Anniversary.



It has been quite a journey from a small neighborhood instrument repair facility to a multi-million dollar, award winning, OEM approved and International supplier of instruments and related products. This journey started in the early Seventies with our company being asked to support a local GM Heavy Truck assembly facility for their speedometer cable requirements. Since that time we have added numerous OEM, Military, Aftermarket and Export customers for a wide variety of products. We proudly provide product to almost every major North American original equipment manufacturer of vehicles and equipment for the Automotive, Heavy Truck, Military, Agricultural, Construction and Off-Road Equipment markets. We are equally as proud to count the following companies as customers as well as strategic partners; DaimlerChrysler, Ford, General Motors, Harley-Davidson, Freightliner, International Truck, Kenworth, MACK, Peterbilt, Volvo, Western Star, AM General, BAE, Boeing, General Dynamics, Oshkosh Truck, the US Department of Defense, AGCO, Caterpillar, CNH, Komatsu, Terex, and NAPA/Balkamp.

Product quality and technology have been the keys to our success. We have enjoyed Zero Defect status with most of our customer's for more than 10 years. Our quality system is tailored to exceed the requirements of both OEM and military standards.

Along this journey what has not changed is our commitment to customer satisfaction. We are still family owned and we still depend on individuals to keep us in business. Your satisfaction is of utmost importance to us. If at any time you have any questions or issues with our products or service, please contact me personally. I will make every effort to promptly resolve any issue to your complete satisfaction.

On the following pages I am pleased to present our entirely new catalog of commercial gauge products. We believe that we now offer the most in depth and complete line of gauges and accessories available anywhere. In recent years we have added a number of new gauge series including our newest VDO® compatible products in our V-International and Industrial Series gauges. Please note that we are a custom manufacturer of gauges so if during your review you do not see the application you require contact us and we can more than likely provide the item you require.

I thank you for choosing Clark Brothers Instrument Company. Please let us know of your suggestions for new products and improvements. We thrive on the innovation of our customer's and their suggestions.

Sincerely,

Thomas F. Wright Sr.  
President/CEO

## General Information ▶ phone

586-781-7000

## facsimile

586-781-7005

## ▶ e-mail addresses general

Info@ClarkBrothers.net  
Sales@ClarkBrothers.net  
CustomerService@ClarkBrothers.net  
TechSupport@ClarkBrothers.net

## website

www.ClarkBrothers.net

# CONTENTS ▶

▶ Introduction .....1	HD-USA Series Gauges .....8	Technical Illustrations and ..... Specifications ..... 18-19
Deluxe Series Gauges .....2	Auto-USA Series Gauges .....9	Military Products .....20
Heavy Duty Series Gauges .....3	Hi-Comp Series Gauges .....10	Other Products ..... Cables and Components .....21
International Series Gauges .....4	Product Features and Specifications by Series .....11	Ratio and Right Angle Adapters .....21
V-International Series Gauges ..5	Gauge Application Chart ... 12-15	Test and Tune Equipment ....21
Industrial Series Gauges .....6	Sender and Accessory List ..... 16-17	
Standard Series Gauges .....7		



## deluxe series gauges



Complete line of Mechanical and Electrical Gauges and senders that is compatible with Stewart Warner® Deluxe Series and other major North American Gauge Manufacturers. Ideally suited for Heavy Truck, Off-Highway, and specialty vehicle or equipment use. We offer extensive coverage including applications that are no longer available from Stewart Warner®.

### Applications Include

- AMMETER
- COMPASS
- FUEL LEVEL
- HOURMETER
- PRESSURE (Mechanical & Electrical)
- PYROMETER
- SPEEDOMETER (Mechanical & Electrical)
- TACHOMETER (Mechanical & Electrical)
- TEMPERATURE (Mechanical & Electrical)
- VACUUM & TURBO BOOST
- VOLTMETER

### Product Quality and Technical Information

- Extensively tested products that meet or exceed SAE, OEM and Military specifications. (SAE J1810 , J1399, J1226, MIL-I-10986, MIL-I-26525 and MIL-DTL-10215)
- All electrical gauges and senders have been engineered to precisely match Stewart Warner® resistance curves.
- 3 year limited warranty
- Manufactured in the USA
- Can be customized to meet specific customer needs such as custom graphics, resistance matches, anti-fog, anti-glare and domed lenses and pointer color.

### Product Highlights

- Polished Stainless Steel SAE Step Bezel.
- White pointer with black hub.
- Crisp white on Black single scale dial graphics including ISO symbols.
- Highly accurate air core and mechanical movements.
- Electrical gauges include a return to zero pointer feature.
- Glass lenses.
- Front sealed to resist moisture and dust.
- Includes appropriate light kit with each gauge. No need to order separately.
- Corrosion resistant bracket and mounting hardware included with each gauge.
- Gauges are individually packaged in windowed multi-color display boxes.
- Most gauges are available in both 12 and 24 Volt versions.

## heavy duty series gauges



Complete line of Mechanical and Electrical Gauges and senders that is compatible with Stewart Warner® Heavy Duty Series and other major North American Gauge Manufacturers. Ideally suited for Heavy Truck, Off-Highway, and specialty vehicle or equipment use. We offer extensive coverage including applications that are no longer available from Stewart Warner®.

### Product Highlights

- Black SAE Step Bezel.
- White pointer with black hub.
- Crisp white on Black single scale dial graphics including ISO symbols.
- Highly accurate air core and mechanical movements.
- Electrical gauges include the return to zero pointer feature.
- Glass lenses.
- Front sealed to resist moisture and dust.
- Includes appropriate light kit with each gauge. No need to order separately.
- Corrosion resistant bracket and mounting hardware included with each gauge.
- Gauges are individually packaged in windowed multi-color display boxes.
- Most gauges are available in both 12 and 24 Volt versions.

### Applications Include

- AMMETER
- COMPASS
- FUEL LEVEL
- HOURMETER
- PRESSURE (Mechanical & Electrical)
- PYROMETER
- SPEEDOMETER (Mechanical & Electrical)
- TACHOMETER (Mechanical & Electrical)
- TEMPERATURE (Mechanical & Electrical)
- VACUUM & TURBO BOOST
- VOLTMETER

### Product Quality and Technical Information

- Extensively tested products that meet or exceed SAE, OEM and Military specifications. (SAE J1810 , J1399, J1226, MIL-I-10986, MIL-I-26525 and MIL-DTL-10215)
- All electrical gauges and senders have been engineered to precisely match Stewart Warner® resistance curves.
- 3 year limited warranty
- Manufactured in the USA
- Can be customized to meet specific customer needs such as custom graphics, resistance matches, anti-fog, anti-glare and domed lenses and pointer color.





## international series gauges



Complete line of Mechanical and Electrical Gauges and senders that is compatible with Stewart Warner® Heavy Duty Plus Series and other major North American Gauge Manufacturers. Ideally suited for Heavy Truck, Off-Highway, and specialty vehicle or equipment use. We offer extensive coverage including applications that are no longer available from Stewart Warner®.

### Product Highlights

- Black SAE Step Bezel.
- White pointer with black hub.
- Crisp White and Green dual scale dial graphics including ISO symbols on a Black dial. (White for English, Green for Metric)
- Highly accurate air core and mechanical movements.
- Electrical gauges include the return to zero pointer feature.
- Glass lenses.
- Front sealed to resist moisture and dust.
- Includes appropriate light kit with each gauge. No need to order separately.
- Corrosion resistant bracket and mounting hardware included with each gauge.
- Gauges are individually packaged in windowed multi-color display boxes.
- Most gauges are available in both 12 and 24 Volt versions.

### Applications Include

- AMMETER
- COMPASS
- FUEL LEVEL
- HOURMETER
- PRESSURE (Mechanical & Electrical)
- PYROMETER
- SPEEDOMETER (Mechanical & Electrical)
- TACHOMETER (Mechanical & Electrical)
- TEMPERATURE (Mechanical & Electrical)
- VACUUM & TURBO BOOST
- VOLTMETER

### Product Quality and Technical information

- Extensively tested products that meet or exceed SAE, OEM and Military specifications. (SAE J1810 , J1399, J1226, MIL-I-10986, MIL-I-26525 and MIL-DTL-10215)
- All electrical gauges and senders have been engineered to precisely match Stewart Warner® resistance curves.
- 3 year limited warranty
- Manufactured in the USA
- Can be customized to meet specific customer needs such as custom graphics, resistance matches, anti-fog, anti-glare and domed lenses and pointer color.



## v-international series gauges



Complete line of Mechanical and Electrical Gauges and senders that is compatible with Siemens-VDO® Cockpit International Series. Ideally suited for Heavy Truck, Off-Highway, and specialty vehicle or equipment use. We offer extensive coverage including applications that are no longer available from VDO®.

### Product Highlights

- Low Profile Black V Bezel
- Fire Red pointer with black hub.
- Crisp white on Black dual scale dial graphics including ISO symbols.
- Highly accurate air core and mechanical movements.
- Electrical gauges include the return to zero pointer feature.
- Glass lenses.
- Front sealed to resist moisture and dust.
- Includes appropriate light kit with each gauge. No need to order separately.
- Corrosion resistant bracket and mounting hardware included with each gauge.
- Gauges are individually packaged in windowed multi-color display boxes.
- Most gauges are available in both 12 and 24 Volt versions.

### Applications Include

- AMMETER
- COMPASS
- FUEL LEVEL
- HOURMETER
- PRESSURE (Mechanical & Electrical)
- PYROMETER
- SPEEDOMETER (Mechanical & Electrical)
- TACHOMETER (Mechanical & Electrical)
- TEMPERATURE (Mechanical & Electrical)
- VACUUM & TURBO BOOST
- VOLTMETER

### Product Quality and Technical information

- Extensively tested products that meet or exceed SAE, OEM and Military specifications. (SAE J1810 , J1399, J1226, MIL-I-10986, MIL-I-26525 and MIL-DTL-10215)
- All electrical gauges and senders have been engineered to precisely match VDO® resistance curves.
- 3 year limited warranty
- Manufactured in the USA
- Can be customized to meet specific customer needs such as custom graphics, resistance matches, anti-fog, anti-glare and domed lenses and pointer color.





## Industrial series gauges



Complete line of Mechanical and Electrical Gauges and senders that is compatible with Siemens-VDO® Industrial Series. Ideally suited for Heavy Truck, Off-Highway, and specialty vehicle or equipment use. We offer extensive coverage including applications that are no longer available from VDO®.

### Applications Include

- AMMETER
- COMPASS
- FUEL LEVEL
- HOURMETER
- PRESSURE (Mechanical & Electrical)
- PYROMETER
- SPEEDOMETER (Mechanical & Electrical)
- TACHOMETER (Mechanical & Electrical)
- TEMPERATURE (Mechanical & Electrical)
- VACUUM & TURBO BOOST
- VOLTMETER

### Product Quality and Technical information

- Extensively tested products that meet or exceed SAE, OEM and Military specifications. (SAE J1810, J1399, J1226, MIL-I-10986, MIL-I-26525 and MIL-DTL-10215)
- All electrical gauges and senders have been engineered to precisely match VDO® resistance curves.
- 3 year limited warranty
- Manufactured in the USA
- Can be customized to meet specific customer needs such as custom graphics, resistance matches, anti-fog, anti-glare and domed lenses and pointer color.

### Product Highlights

- Low Profile Black or polished stainless steel V Bezel
- White pointer with black hub.
- Crisp white on Black dual scale dial graphics including ISO symbols.
- Highly accurate air core and mechanical movements.
- Electrical gauges include the return to zero pointer feature.
- Glass lenses.
- Front sealed to resist moisture and dust.
- Includes appropriate light kit with each gauge. No need to order separately.
- Corrosion resistant bracket and mounting hardware included with each gauge.
- Gauges are individually packaged in windowed multi-color display boxes.
- Most gauges are available in both 12 and 24 Volt versions.



## Standard series gauges



The Standard Series is our Accurate Brand's low cost updated series of MADE IN THE USA electrical gauges. This line competes very favorably with Faria's® Heavy Duty Instruments Series Gauges. This contemporary styled gauge includes a low profile stainless steel bezel, a Lexan® polymer case, crisp white on black dial graphics, a fire orange pointer and a bayonet style light kit. Each gauge comes complete and ready for installation and includes all mounting hardware and a light kit. All gauges are packaged in an attractive multi-color, windowed display box which can be peg boarded or stacked on a shelf. These features make this series ideal for industrial, marine, and automotive applications.

### Product Highlights

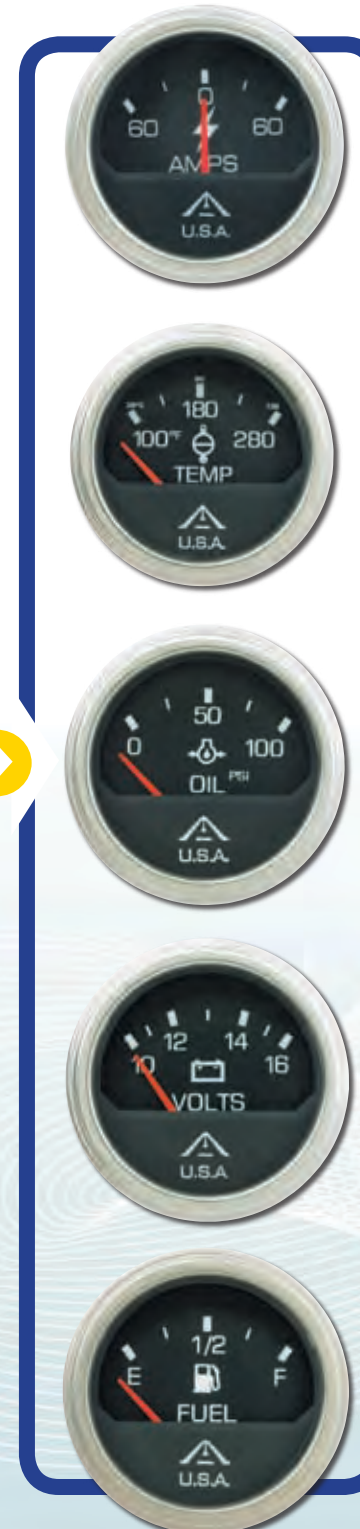
- Stainless Steel Bezel.
- Fire Orange pointer.
- Crisp White dial graphics on a Black dial.
- Highly accurate air core or moving magnet movements.
- Front sealed to resist moisture and dust.
- Includes appropriate light kit with each gauge. No need to order separately.
- Corrosion resistant bracket and mounting hardware included with each gauge.
- Gauges are individually packaged in windowed multi-color display boxes.
- Available in both 12 and 24 volt versions.

### Applications Include

- AMMETER
- FUEL LEVEL
- PRESSURE
- TEMPERATURE
- VOLTMETER

### Product Quality and Technical information

- Rated Accuracy of 5% for both mechanical and electrical applications.
- 2 year limited warranty
- Manufactured in the USA
- Can be customized to meet specific customer needs such as custom graphics, resistance matches, and pointer color.





## hd-usa series gauges



The HD-USA series is our Accurate Brand's most popular and complete line of MADE IN THE USA gauges. This line competes very favorably with Stewart Warner's® Standard and Standard Plus Series Gauges. These gauges feature steel cases, satin finished chrome bezels and crisp white on black single scale dial graphics. Each gauge comes complete and ready for installation and includes all mounting hardware and a light kit. All gauges are packaged in an attractive multi-color, windowed display box which can be peg boarded or stacked on a shelf. Its heritage dates back to the 1940's with Accurate Instruments. This is also one of our most economical lines as well.

### Product Highlights

- Chrome Bezel.
- White pointer.
- Crisp White single scale dial graphics on a Black dial.
- Highly accurate air core and mechanical movements.
- Front sealed to resist moisture and dust.
- Includes appropriate light kit with each gauge. No need to order separately.
- Corrosion resistant bracket and mounting hardware included with each gauge.
- Gauges are individually packaged in windowed multi-color display boxes.

### Applications Include

- AMMETER
- COMPASS
- HOURMETER
- PRESSURE
- TEMPERATURE
- TRIPLE GAUGE KITS

### Product Quality and Technical information

- Rated Accuracy of 5% for both mechanical and electrical applications.
- 2 year limited warranty
- Manufactured in the USA
- Can be customized to meet specific customer needs such as custom graphics, resistance matches, and pointer color.



## auto-usa series gauges



The AUTO-USA series is our Made in the USA answer for the discriminating automotive aftermarket buyer of gauges. These gauges feature steel cases, black bezels and crisp dual color, dual scale dial graphics. Since most new applications use black bezels this series is an ideal replacement for those newer applications. Each gauge comes complete and ready for installation and includes all mounting hardware and a light kit. All gauges are packaged in an attractive, multi-lingual, windowed display box which can be peg boarded or stacked on a shelf. Its heritage dates back to the 1940's with Accurate Instruments. This is also one of our most economical lines as well.

### Product Highlights

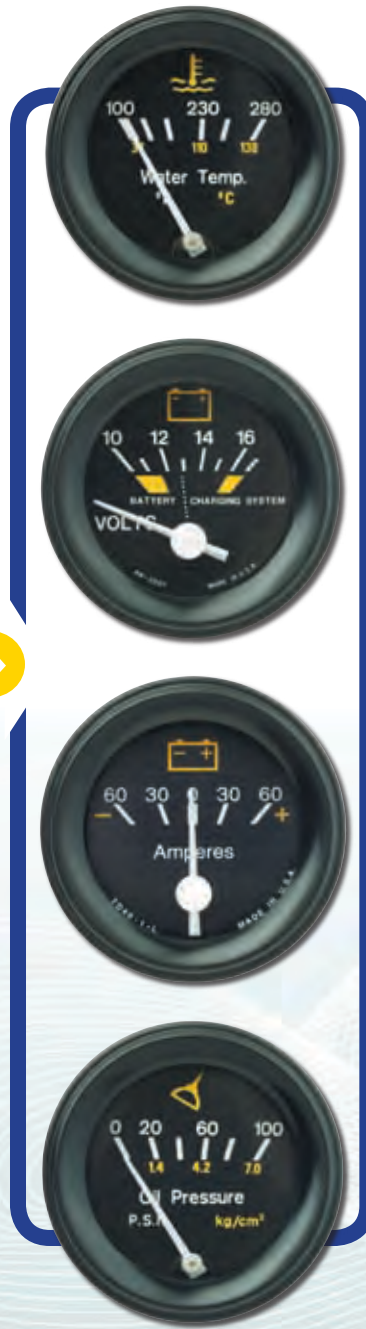
- Black Bezel.
- White pointer.
- Crisp White and Yellow dual scale dial graphics including ISO symbols on a Black dial. (White for English, Yellow for Metric)
- Highly accurate air core and mechanical movements.
- Front sealed to resist moisture and dust.
- Includes appropriate light kit with each gauge. No need to order separately.
- Corrosion resistant bracket and mounting hardware included with each gauge.
- Gauges are individually packaged in windowed multi-color display boxes.

### Applications Include

- AMMETER
- COMPASS
- HOURMETER
- PRESSURE
- TEMPERATURE
- TRIPLE GAUGE KITS

### Product Quality and Technical information

- Rated Accuracy of 5% for both mechanical and electrical applications.
- 2 year limited warranty
- Manufactured in the USA
- Can be customized to meet specific customer needs such as custom graphics, resistance matches, and pointer color.





## hi-comp series gauges



Our Accurate brand Hi-Comp Gauge Series offers a highly competitive line of imported gauges. This line competes very favorably with Equus®, SunPro® and Make Waves® brand gauges and is targeted to the cost conscious gauge buyer. This gauge line includes 2" replacement gauges and 1 1/2" mini gauges. These gauges feature chrome or black bezels, steel cases, crisp white on black or white and yellow dual scale dial graphics, a fire orange pointer and a mounting panel. Each gauge comes complete and ready for installation and includes all mounting hardware and a light kit. All gauges are packaged in an attractive multi-color, multi-lingual clam shell package which can be placed on a peg board, a gondola or a shelf.

### Product Highlights

- Chrome or Black Bezels.
- Fire Orange pointer.
- Crisp White or White and Yellow dual scale dial graphics on a Black dial.
- Highly accurate movements.
- Includes appropriate light kit with each gauge. No need to order separately.
- Corrosion resistant mounting panel and hardware included with each gauge.
- Gauges are individually packaged in an attractive multi-color, multi-lingual clam shell.

### Applications Include

- AMMETER
- PRESSURE
- TEMPERATURE
- VOLTMETER
- TRIPLE GAUGE KITS
- TACHOMETER

### Product Quality and Technical Information

- Rated Accuracy of 5% for both mechanical and electrical applications.
- 2 year limited warranty



## product features & specifications by series >

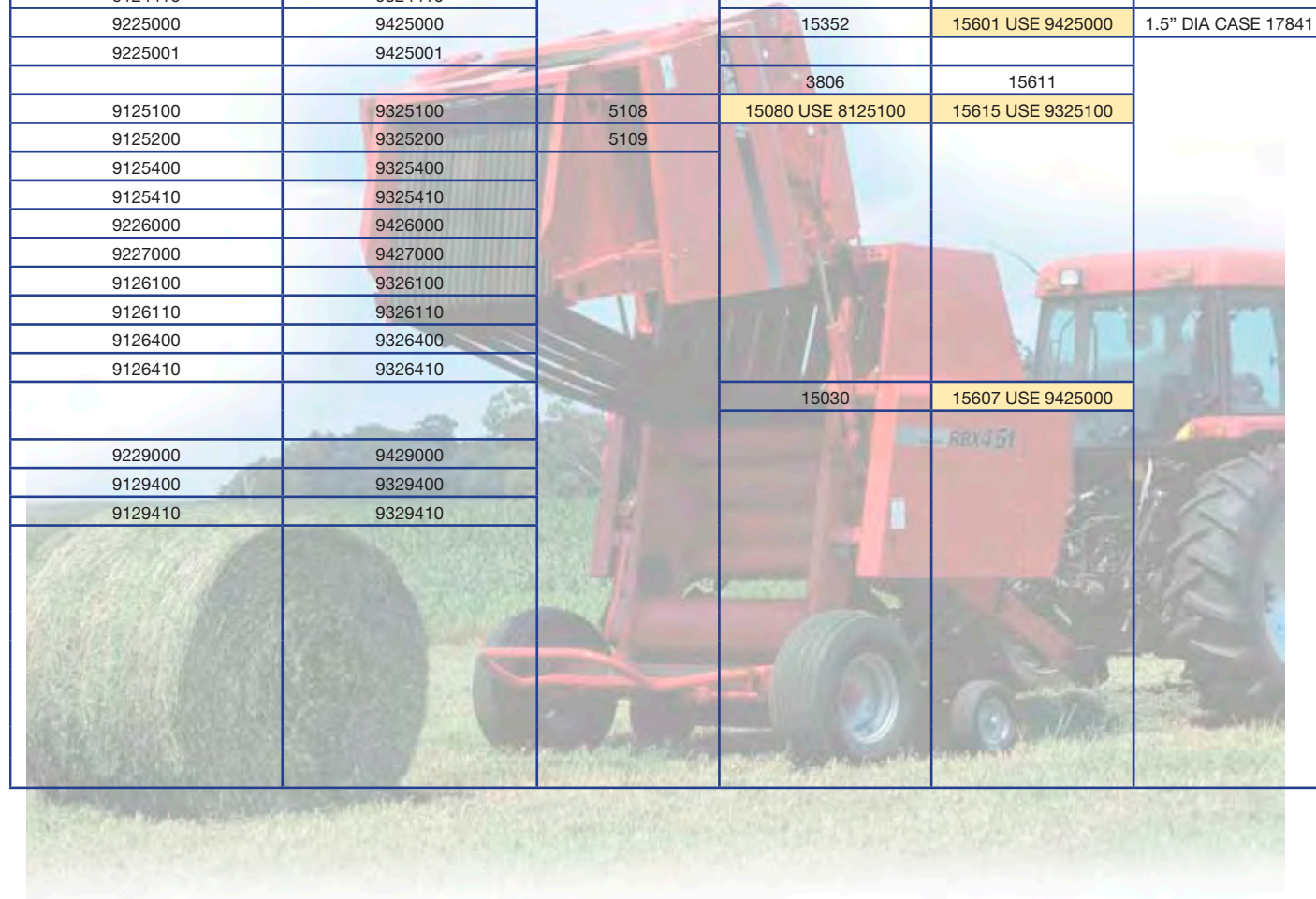
	DELUXE	HEAVY DUTY	INTERNATIONAL	V-INTERNATIONAL	INDUSTRIAL	STANDARD	HD-USA	AUTO-USA	HI-COMP
<b>DIAL</b>									
Metal Black Finish	•	•	•	•	•	•	•	•	•
<b>GRAPHICS</b>									
Single Scale White	•	•				•	•		
Dual Scale English/Metric White				•	•				•
Dual Scale English/Metric Dual Color White/Green			•						
Dual Scale English/Metric Dual Color White/Yellow								•	•
<b>POINTER</b>									
White Arm with Black Hub	•	•	•			•			
Fire Orange Arm with Black Hub				•					
All White							•	•	
All Fire Orange						•			•
Return to Zero Feature on Electrical Gauges	•	•	•	•	•	•			
<b>BEZEL</b>									
Polished Stainless Steel SAE Step	•					•			
Black SAE Step		•	•						
Polished Stainless Steel Low Profile V (European)					•				
Black Low Profile V (European)				•	•			•	•
Chrome Low Profile V (European)							•		•
<b>LENS</b>									
Glass Flat	•	•	•	•	•	•	•	•	•
<b>LIGHTING</b>									
Incandescent 5/8" Light Kit 12 or 24 VDC	•	•	•	•	•				
Incandescent 3/8" Light Kit 12 or 24 VDC							•	•	•
Incandescent Wedge Base Light Kit 12 or 24 VDC						•			
<b>ELECTRICAL CONNECTION</b>									
Threaded Male Studs	•	•	•	•	•	•	•	•	•
<b>HARDWARE</b>									
Hardware Kit Includes Bracket, Nuts and Lock Washers.	•	•	•	•	•	•	•	•	
Mounting Panel and Hardware									•
<b>SEALING</b>									
Front Sealed						•	•	•	•
Front Sealed Waterproof	•	•	•	•	•				
<b>CASE</b>									
Electrical High Impact Moisture Resistant Polyester, Ammeters, and Mechanical Gauges Coated Steel	•	•	•	•	•				
Lexan® Polycarbonate						•			
Coated Steel							•	•	•
<b>GENERAL PERFORMANCE</b>									
Gauges SAE J1810 Compliant	•	•	•	•	•				
Tach/Speedo SAE J1399/J1226 Compliant	•	•	•	•	•				
CBI Specified (5% Accuracy)							•	•	•

Note: The above features and specifications are subject to change without notice. Please consult the factory for updates to this information.



GAUGE TYPE	DIAL RANGE	DELUXE SERIES	HEAVY DUTY SERIES	INTERNATIONAL SERIES	V-INTERNATIONAL SERIES	
AMMETER	-30 / 0 / +30 AMPS	8171000	8371000	8771000	8571000	
	-60 / 0 / +60 AMPS	8173000	8373000	8773000	8573000	
	-60 / 0 / +60 AMPS					
	-60 / 0 / +60 AMPS					
	-60 / 0 / +60 AMPS 1.5" CASE					
	-100 / 0 / +100 AMPS	8174000	8374000	8774000	8574000	
	-200 / 0 / +200 AMPS					
COMPASS	8 POINT	8100100	8300200	8300200	8500300	
FUEL LEVEL	E-F 12V CBI MATCH	8131100	8331100	8731100	8531100	
	E-F 24V CBI MATCH				8531110	
	E-F 12V GM MATCH				8531200	
	E-F 12V VDO MATCH				8531400	
	E-F 24V VDO MATCH				8531410	
HOURMETER	ROUND 10-80 VDC STAINLESS STEEL BEZEL	8962100				
	ROUND 10-80 VDC BLACK BEZEL		8962200	8962200	8962200	
	3 HOLE FLANGE 10-80 VDC	8962400	8962400	8962400	8962400	
	MINI RECTANGULAR 10-80 VDC	8962500	8962500	8962500	8962500	
PRESSURE	0-30 PSI MECH 270° SWEEP	8221000	8421000	8821000	8621000	
	0-80 PSI MECH 270° SWEEP	8224000	8424000	8824000		
	0-80 PSI MECH 90° SWEEP					
	0-80 PSI MECH 90° SWEEP					
	0-80 PSI 12V CBI MATCH	8124100	8324100	8724100	8524100	
	0-80 PSI 24V CBI MATCH				8524110	
	0-80 PSI 12V VDO MATCH				8524400	
	0-80 PSI 24V VDO MATCH				8524410	
	0-100 PSI MECH 270° SWEEP	8225000	8425000	8825000	8625000	
	0-100 PSI MECH 270° SWEEP (AIR SUSPENSION)	8225001	8425001	8825001	8625001	
	0-100 PSI MECH 90° SWEEP					
	0-100 PSI 12V CBI MATCH	8125100	8325100	8725100	8525100	
	0-100 PSI 24V CBI MATCH				8525200	
	0-100 PSI 12V VDO MATCH				8525400	
	0-100 PSI 24V VDO MATCH				8525410	
	0-150 PSI MECH 270° SWEEP	8226000	8426000	8826000	8626000	
	0-150 PSI MECH 270° SWEEP DUAL	8227000	8427000	8827000	8627000	
	0-150 PSI 12V CBI MATCH				8526100	
	0-150 PSI 24V CBI MATCH				8526110	
	0-150 PSI 12V VDO MATCH				8526400	
	0-150 PSI 24V VDO MATCH				8526410	
	0-160 PSI MECH 270° SWEEP					
	0-300 PSI MECH 270° SWEEP	8228000	8428000	8828000		
	0-400 PSI MECH 270° SWEEP	8229000	8429000	8829000	8629000	
	0-400 PSI 12V VDO MATCH				8529400	
	0-400 PSI 24V VDO MATCH				8529410	
	PYROMETER	1300F 2" CASE	8116100	8316100	8716100	
		1500F 2" CASE	8117110		8717110	
1800F 3" CASE		8118120		8718120		
SPEEDOMETER	0-80 MPH ELECTRONIC	8141100	8341100	8741100		
	0-80 MPH MECH	8241000	8441000	8841000		
	0-80 MPH W/ TRIP MECH	8242000	8442000	8842000		
	0-120 MPH MECH	8243000	8443000	8843000		
	0-120 MPH W/TRIP MECH	8244000	8444000	8844000		
	0-130 KPH MECH			8847000		

INDUSTRIAL SERIES STAINLESS	INDUSTRIAL SERIES BLACK	STANDARD SERIES	HD-USA SERIES	AUTO-USA SERIES	HI-COMP SERIES
9171000	9371000		3809		
9173000	9373000	5102	3807	15610 USE 9373000	17550
					17644
					17650 USE 17644
					17844
9174000	9374000		15403		
			15404		
9100300	8500300	8100100	8100100	8500300	
9131100	9331100	5120	4035ACC USE 8131100	15635 USE 9331100	
9131110	9331110	5121			
9131200	9331200				
9131400	9331400				
9134100	9331410				
8962100		8962100	8962100		8962100
	8962200			8962200	8962200
8962400	8962400	8962400	8962400	8962400	8962400
8962500	8962500	8962500	8962500	8962500	8962500
9221000	9421000				
					17551
					17651 USE 17641
					17641
9124100	9324100				
9124110	9324110				
9124400	9324400				
9124410	9324410				
9225000	9425000		15352	15601 USE 9425000	1.5" DIA CASE 17841
9225001	9425001				
			3806	15611	
9125100	9325100	5108	15080 USE 8125100	15615 USE 9325100	
9125200	9325200	5109			
9125400	9325400				
9125410	9325410				
9226000	9426000				
9227000	9427000				
9126100	9326100				
9126110	9326110				
9126400	9326400				
9126410	9326410				
			15030	15607 USE 9425000	
9229000	9429000				
9129400	9329400				
9129410	9329410				



Denotes pending obsolescence once present stock is depleted.





GAUGE TYPE	DIAL RANGE	DELUXE SERIES	HEAVY DUTY SERIES	INTERNATIONAL SERIES	V-INTERNATIONAL SERIES
TACHOMETER	0-3500 RPM MECH .5:1 RATIO	8254100	8454100	8854100	
	0-3500 RPM .5:1 RATIO W/TOTALIZER	8254200	8454200	8854200	
	0-4000 RPM ALT. DRV.	8155100	8355100	8755100	
	0-4000 RPM ALT.DRV. W/HOURMETER	8155200	8355200	8755200	
	0-8000 RPM BATTERY/IGN BLACK 2" CASE				17211
	0-8000 RPM INDUCTIVE BLACK 2" CASE				17311
TEMPERATURE	100-240°F 12V CBI MATCH	8111100	8311100	8711100	8511100
	100-240°F 24V CBI MATCH				8511110
	100-250°F 12V VDO MATCH				8515400
	100-250°F 12V VDO MATCH				8515410
	100-265°F MECH 48" CAPILLARY	8212048	8412048	8812048	
	100-265°F MECH 72" CAPILLARY	8212072	8412072	8812072	8612072
	100-265°F MECH 96" CAPILLARY	8212096	8412096	8812096	
	100-265°F MECH 144" CAPILLARY	8212144	8412144	8812144	8612144
	100-265°F MECH 180" CAPILLARY				8612180
	100-265°F MECH 216" CAPILLARY	8212216	8412216	8812216	
	100-280°F 12V CBI MATCH	8113100	8313100	8713100	8513100
	100-280°F 24V CBI MATCH				8513110
	100-280°F MECH 72" CAPILLARY 270° SWEEP				
	100-280°F MECH 72" CAPILLARY 270° SWEEP 1 1/2" CASE				
	100-280°F MECH 144" CAPILLARY 270° SWEEP				
	100-280°F MECH 216" CAPILLARY 270° SWEEP				
	100-280°F MECH 72" CAPILLARY 90° SWEEP				
	100-280°F MECH 72" CAPILLARY 90° SWEEP				
	100-280°F MECH 144" CAPILLARY 270° SWEEP				
	100-300°F 12V VDO MATCH				8510400
	100-300°F 12V VDO MATCH				8510410
	140-320° 12V CBI MATCH	8114100	8314100	8714100	8510100
	140-320° 12V CBI MATCH	8115100	8315100	8715100	
	140-320° 24V CBI MATCH				8510110
	140-325°F MECH 36" CAPILLARY 270° SWEEP	8214036	8414036	8814036	
	140-325°F MECH 72" CAPILLARY 270° SWEEP	8214072	8414072	8814072	8614072
	140-325°F MECH 96" CAPILLARY 270° SWEEP	8214096	8414096	8814096	8614096
	140-325°F MECH 144" CAPILLARY 270° SWEEP	8214144	8414144	8814144	8614144
	140-325°F MECH 180" CAPILLARY 270° SWEEP				8614180
	140-325°F MECH 216" CAPILLARY 270° SWEEP	8214216	8414216	8814216	
	150-400°F 12V VDO MATCH				8510410
	150-400°F 24V VDO MATCH				8510420
TRIPLE GAUGE KITS	MECH. AMP/OIL/TEMP 90° SWEEP BLACK				
	MECH. AMP/OIL/TEMP 90° SWEEP CHROME				
	MECH. AMP/OIL/TEMP 270° SWEEP BLACK				
	MECH VOLT/OIL/TEMP 90 DEGREE				
	ELEC. AMP/OIL/TEMP 90 DEGREE				
	1 1/2" MINI MECH AMP/OIL/TEMP 270 DEGREE				
TURBO BOOST	0-30 Hg/0-50 PSI	8223000	8423000	8823000	8623000
VACUUM	0-30 Hg	8222000	8422000	8822000	8622000
VOLTMETER	10 TO 16 VOLTS DC	8177000	8377000	8777000	8577000
	20 TO 32 VOLTS DC	8178000	8378000	8778000	8578000
	30 TO 48 VOLTS DC				

INDUSTRIAL SERIES STAINLESS	INDUSTRIAL SERIES BLACK	STANDARD SERIES	HD-USA SERIES	AUTO-USA SERIES	HI-COMP SERIES
9111100	9311100				
9111110	9311110				
9115400	9315400				
9115410	9315400				
9212072	9412072				
9212144	9412144				
9212180	9412180				
9113100	9313100	5106	15073 USE 8113100	15614 USE 9313100	
9113110	9313110	5107			
			15354	15602 USE 9412072	17642
					17842
			15357	15632 USE 9412144	
			15358		
			4085	15613	17553 USE 17642
					17653
			4086	15633	
9110400	9310400				
9110410	9310410				
9110100	9310100				
9110110	9310110				
9214072	9414072				
9214096	9414096				
9214144	9414144				
9214180	9414180				
9110410	9310410				
9110420	9310420				
				15690	17690 USE 17680
					17590
				15680	17680
				15670	17670
					17880
9223000	9423000				
9222000	9422000		15353 USE 8222000	15603 USE 9422000	
9177000	9377000	5114	4096	15608 USE 9377000	17658
9178000	9378000	5115	4097		
			4098ACC		

Denotes pending obsolescence once present stock is depleted.





PRODUCT	CBI P/N	DESCRIPTION	RANGE	RESISTANCE MATCH
ACCESSORY	3808 (USE 8090027)	KIT LIGHT 12V 5/8" PUSH IN SINGLE WIRE	NA	NONE
	3849	TUBING KIT 6'	NA	NONE
	15101	MOUNTING PANEL, ONE HOLE, CHROME W/TABS	NA	NONE
	15401	TUBING KIT VACUUM	NA	NONE
	15507 (USE 8090005)	METRIC TEMPERATURE SENDER ADAPTER KIT	NA	NONE
	15604	KIT LIGHT 12V 1/4" HOLE W/GROMMET	NA	NONE
	15621	MOUNTING PANEL, ONE HOLE, BLACK W/TABS	NA	NONE
	15622	MOUNTING PANEL, THREE HOLE, BLACK W/TABS	NA	NONE
	8090001	KIT LIGHT 12V 5/8" PLUG IN	NA	NONE
	8090002	24V VOLTAGE ADAPTOR	NA	NONE
	8090003	AMMETER SHUNT 100-0-100 AMPS (USED ON OLD STYLE 100 AMP AMMETER)	NA	NONE
	8090004	TEMPERATURE SENDER ADAPTER KIT	NA	NONE
	8090005	METRIC TEMPERATURE SENDER ADAPTER KIT	NA	NONE
	8090006	PRESSURE SENDER ADAPTER KIT	NA	NONE
	8090007	TUBING KIT 6'	NA	NONE
	8090008	TUBING KIT 16'	NA	NONE
	8090009	MOUNTING PANEL, ONE HOLE, BLACK	NA	NONE
	8090010	MOUNTING PANEL, TWO HOLE, BLACK	NA	NONE
	8090011	MOUNTING PANEL, THREE HOLE, BLACK	NA	NONE
	8090012	MOUNTING PANEL, ONE HOLE, CHROME	NA	NONE
	8090013	MOUNTING PANEL, TWO HOLE, CHROME	NA	NONE
	8090014	MOUNTING PANEL, THREE HOLE, CHROME	NA	NONE
	8090015	KIT LIGHT 12V 1/2" WEDGE BASE	NA	NONE
	8090021	KIT LIGHT 24V 5/8" PUSH IN	NA	NONE
	8090022	CUP MOUNTING SPEED/TACH	NA	NONE
	8090023	TIP GENERATOR .104" SQ.	NA	NONE
	8090024	TIP GENERATOR .152" TANG	NA	NONE
	8090025	TIP GENERATOR .187" TANG	NA	NONE
	8090026	TIP GENERATOR .203" TANG	NA	NONE
	8090027	KIT LIGHT 12V 5/8" PUSH IN SINGLE WIRE	NA	NONE
	8090028	THERMOCOUPLE WELD BUSHING	NA	NONE
	8090032	KIT LIGHT 12V 3/8" PUSH IN W/AMBER FILTER (COMPASS)	NA	NONE
8090033	KIT LIGHT 12V 3/8" PUSH IN W/RED FILTER (COMPASS)	NA	NONE	
8090034	KIT LIGHT 12V 5/8 PUSH IN SPADE TERMINALS (2)	NA	NONE	
8090050	GAUGE DISPLAY	NA	NONE	
8090100	MWT 1/2-14 ADAPTER NUT	NA	NONE	
8090101	MWT 3/8-18 ADAPTER NUT	NA	NONE	
8090102	LIGHT SOCKET USES WEDGE BASE LAMP 12/24 V	NA	NONE	
8090103	WEDGE BASE LAMP 12V	NA	NONE	
8090104	WEDGE BASE LAMP 24V	NA	NONE	
8090105	GREEN LAMP FILTER WEDGE BASE	NA	NONE	
8090106	AMBER LAMP FILTER WEDGE BASE	NA	NONE	
8090107	RED LAMP FILTER WEDGE BASE	NA	NONE	
PYROMETER THERMOCOUPLE AND LEAD WIRES	8081610	PYROMETER THERMOCOUPLE	1800F	CBI
	8081611	PYROMETER LEAD WIRE 7'	N/A	
	8081612	PYROMETER LEAD WIRE 14'	N/A	
PULSE GENERATORS		PULSES PER REVOLUTION	THREAD SIZE	
	8084110	8 PULSES PER REVOLUTION	5/8-18 MALE	CBI
	8084210	8 PULSES PER REVOLUTION	7/8-18 MALE	CBI
	8084310	8 PULSES PER REVOLUTION	7/8-18 MALE/FEMALE	CBI
	8084410	30 PULSES PER REVOLUTION	7/8-18 FEMALE	CBI

PRODUCT	CBI P/N	DESCRIPTION	RANGE	RESISTANCE MATCH
SENDERS	16040	TEMPERATURE SENDER 1/8" NPT	100-280 F	ACCURATE
	17222	PRESSURE SENDER 1/8" NPT	0-100 PSI	CBI
	17223	TEMPERATURE SENDER 1/8" NPT	100-280 F	ACCURATE
	8081040	TEMPERATURE SENDER KIT	100-300 F	VDO
	8081041	TEMPERATURE SENDER 1/8" NPT	100-300 F	VDO
	8081042	TEMPERATURE SENDER 1/4" NPT	100-300 F	VDO
	8081043	TEMPERATURE SENDER 3/8" NPT	100-300 F	VDO
	8081044	TEMPERATURE SENDER 1/2" NPT	100-300 F	VDO
	8081045	TEMPERATURE SENDER 1/8" NPT	150-400 F	VDO
	8081310	TEMPERATURE SENDER KIT	100-280F 140-320F	DATCON HIGH
	8081311	TEMPERATURE SENDER 1/8" NPT	100-280F 140-320F	DATCON HIGH
	8081312	TEMPERATURE SENDER 1/4" NPT	100-280F 140-320F	DATCON HIGH
	8081313	TEMPERATURE SENDER 3/8" NPT	100-280F 140-320F	DATCON HIGH
	8081314	TEMPERATURE SENDER 1/2" NPT	100-280F 140-320F	DATCON HIGH
	8081320	TEMPERATURE SENDER KIT	100-280F	CBI
	8081321	TEMPERATURE SENDER 1/8" NPT	100-280F	CBI
	8081322	TEMPERATURE SENDER 1/4" NPT	100-280F	CBI
	8081323	TEMPERATURE SENDER 3/8" NPT	100-280F	CBI
	8081324	TEMPERATURE SENDER 1/2" NPT	100-280F	CBI
	8081420	TEMPERATURE SENDER KIT	140-320F	CBI
	8081421	TEMPERATURE SENDER 1/8" NPT	140-320F	CBI
	8281422	TEMPERATURE SENDER 1/4" NPT	140-320F	CBI
	8081423	TEMPERATURE SENDER 3/8" NPT	140-320F	CBI
	8081424	TEMPERATURE SENDER 1/2" NPT	140-320F	CBI
	8081540	TEMPERATURE SENDER KIT	100-250 F	VDO
	8081541	TEMPERATURE SENDER 1/8" NPT	100-250 F	VDO
	8081542	TEMPERATURE SENDER 1/4" NPT	100-250 F	VDO
	8081543	TEMPERATURE SENDER 3/8" NPT	100-250 F	VDO
	8081544	TEMPERATURE SENDER 1/2" NPT	100-250 F	VDO
	8081990	TEMPERATURE SENDER KIT	100-230F	CBI
	8081991	TEMPERATURE SENDER 1/8" NPT	100-230F	CBI
	8081992	TEMPERATURE SENDER 1/4" NPT	100-230F	CBI
	8081993	TEMPERATURE SENDER 3/8" NPT	100-230F	CBI
	8081994	TEMPERATURE SENDER 1/2" NPT	100-230F	CBI
	8082410	PRESSURE SENDER 1/8" NPT	0-80 PSI	CBI
	8082440	PRESSURE SENDER 1/8" NPT	0-80 PSI	VDO
	8082510	PRESSURE SENDER 1/8" NPT	0-100 PSI	CBI
	8082540	PRESSURE SENDER 1/8" NPT	0-100 PSI	VDO
	8082610	PRESSURE SENDER 1/8" NPT	0-150 PSI	CBI
	8082640	PRESSURE SENDER 1/8" NPT	0-150 PSI	VDO
	8082710	PRESSURE SENDER 1/8" NPT	0-350 PSI	VDO
	8082910	PRESSURE SENDER 1/8" NPT	0-400 PSI	CBI
8082940	PRESSURE SENDER 1/8" NPT	0-400 PSI	VDO	
8083110	FUEL LEVEL SENDER UNIVERSAL	E-F	CBI	
8083120	FUEL LEVEL SENDER UNIVERSAL	E-F	GM	
8083140	FUEL LEVEL SENDER UNIVERSAL	E-F	VDO	
SWITCHES	8090016	SWITCH TEMP NO 1/2 NPT 200°F	200F	CBI
	8090017	SWITCH TEMP NO 1/2NPT 230°F	230F	CBI
	8090018	SWITCH PRES NO 1/8 NPT 6 PSI	6 PSI	CBI
	8090019	SWITCH PRES NO 1/8 NPT 15 PSI	15 PSI	CBI
	8090020	SWITCH PRES NC 1/8 NPT 8 PSI	8 PSI	CBI



# technical illustrations & specifications >

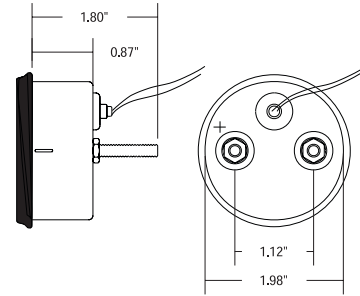
## Accurate General Specifications >

Temperature: -20°F to +175°F  
 Reverse polarity Protection  
 Shock: 44-55G, 9-13 ms half sine wave, 25 shocks in each of the three orthogonal axes  
 Vibration: 0.030" harmonic motion 20-60 Hz 1/3 hour in each of the three orthogonal axes  
 Case: Steel Zinc Plated (Accurate)  
 Lexan® Polycarbonate (Standard)

Accuracy: CBI Specified 5% accuracy  
 Front Sealed Bezel  
 Illumination: 3/8 incandescent light kit  
 Mounting: 2 1/16" hole configuration  
 Mounting Hardware: Brackets, Nuts & Lock Washers included  
 Lens: Acrylic  
 Graphics: Per Product Line

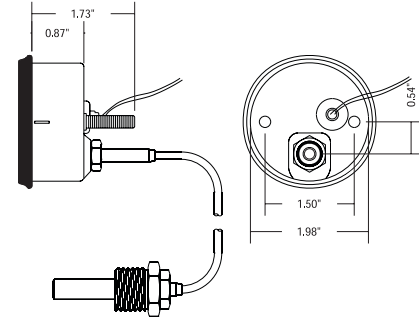
### Accurate Ammeter >

Pointer: White  
 Bezel: Black or Chrome, low profile  
 V (European)  
 Electrical connections: 10-32 Brass Terminal Studs



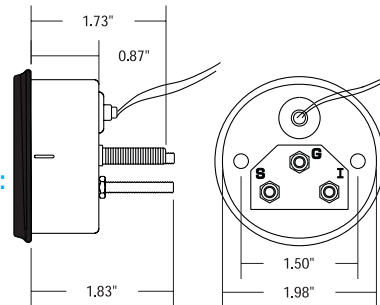
### Accurate Mechanical Temperature >

Pointer: White  
 Bezel: Black or Chrome, low profile  
 V (European)  
 Capillary Tube: Vinyl Coated Copper. See product lines for available lengths  
 Adapter Nuts; 1/2- NPT bushing included



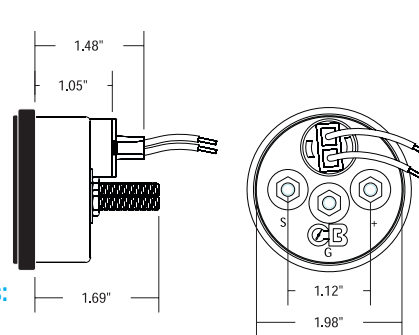
### Accurate Electrical >

Pointer: White  
 Bezel: Black or Chrome, low profile  
 V (European)  
 Electrical connections: 6-32 Brass Terminal Studs



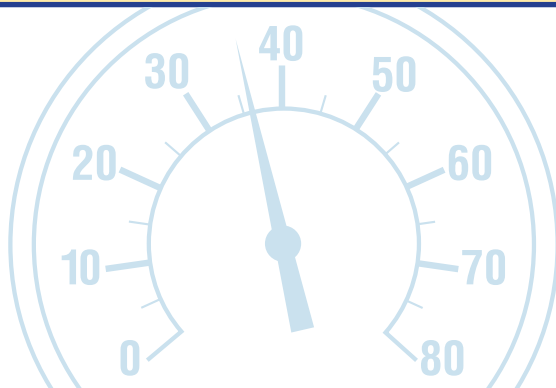
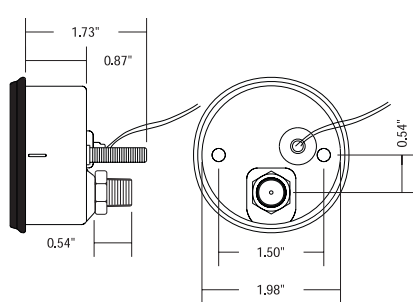
### Accurate Standard >

Illumination: 5/8 twist lock leaded socket, T-3 1/4 wedge base bulb  
 Pointer: Fire Orange  
 Bezel: Polished Stainless Steel SAE Step  
 Electrical connections: 10-32 Terminal Studs



### Accurate Mechanical Pressure >

Pointer: White  
 Bezel: Black or Chrome, low profile  
 V (European)  
 Gauge fitting: 1/8-27 NPT



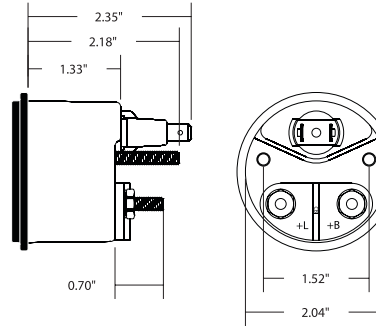
## CBI General Specifications >

Performance Specifications: Meets or exceeds requirements of SAE J1810  
 Storage Temperature: -85°F to +185°F (-65°C to +85°C)  
 Operating Temperature: -40°F to +185°F (-40°C to +85°C)  
 Operating Voltage: 10-16 VDC for 12 VDC systems  
 20-32 VDC for 24 VDC systems  
 Bezel: Per Product Line  
 Lens: Clear Glass  
 Illumination: 5/8" push in two terminal socket, T-3 1/4 wedge base lamp

Graphics: per product line  
 Mounting: 2 1/16" (52mm) hole  
 Mounting Hardware: Zinc plated steel bracket w/ Hex nuts & washers  
 Bracket Torque: Bracket: 1-2 ft-lbs  
 Electrical Connections Torque: 3-5 in-lbs  
 Product Marking: Part Number, Voltage, Manufacturing Date (Julian date) & Country of origin  
 Waterproof Front Seal  
 Return to Zero Pointer Feature

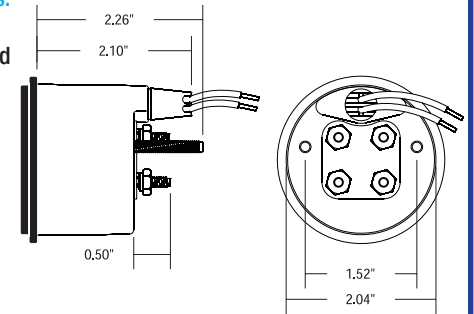
### CBI Ammeter Specifications >

Electrical Connections: 100A: M8 terminals  
 30 & 60A: M5 terminals  
 Case: Steel Zinc Plated



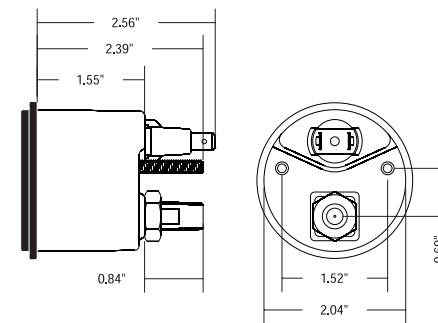
### CBI Electronic Compass Specification >

Electrical Connections: 6-32 terminal studs  
 Case: Steel Zinc Plated  
 Illumination: 3/8" push in two lead socket, T-1 1/2 wedge base lamp



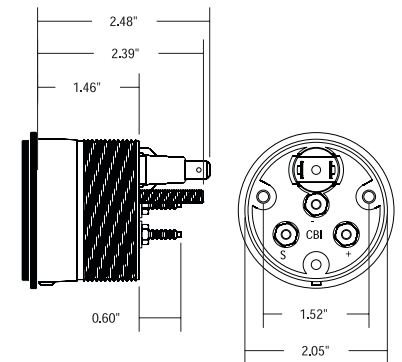
### CBI Mechanical Pressure Specification >

Rear fitting: 1/8-27 NPT  
 Case: Steel Zinc Plated



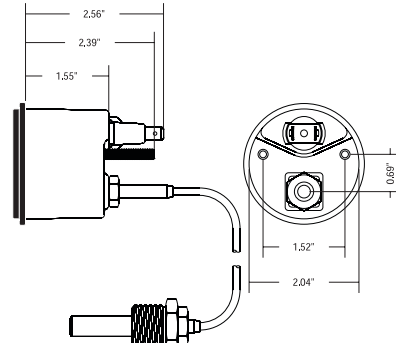
### CBI Electrical Specification >

Electrical Connections: 6-32 terminal studs  
 Case: High Impact Moisture Resistant Polyester



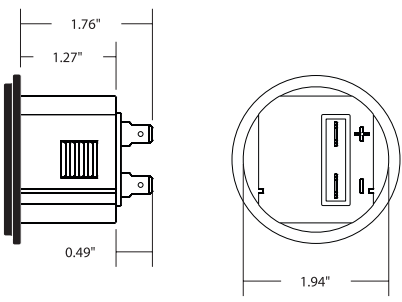
### CBI Mechanical Temperature Specification >

Capillary Tube: Vinyl Coated Copper. See product lines for available lengths  
 Fitting: 1/2-14 NPT  
 Adapter Nut  
 Case: Steel Zinc Plated



### CBI Hourmeter Specifications >

Electrical Connections: 1/4" male spade terminals (2)  
 Case: High Impact Moisture Resistant Polyester  
 Bracket: Polyester snap fit bracket  
 Illumination: None



Note: The above features and specifications are subject to change without notice. Please consult the factory for updates to this information.



## military products



Clark Brothers Instrument Company has been a long standing provider of military products to both Original Equipment Manufacturers such as AM General, BAE (Formerly United Defense), Boeing, General Dynamics and Oshkosh Trucks and directly to the US Department of Defense.



Over the past 30 years we have developed and tested the products that are used on vehicles and weapon systems such as the Humvee, Bradley Fighting Vehicle, M1 Abrams Tank, various wheeled and tracked armor personnel carriers, various mechanized weapon systems such as missile launchers and howitzers and a multitude of wheeled truck applications. We specialize in Humvee parts and can provide complete instrument panels as well as all cables and adapters used in this application. We are very proud of the fact that we are the supplier of choice for gauges, flexible shafts or adapters for these applications. We support our troops and their efforts around the world by providing the highest quality products available.

## Partial List of Products Available

### Gauges Manufactured IAW MIL-I-10986, MIL-I-26525

Fuel Level	MS24544-2	12338474		
Pressure	MS24540-2	MS24541-2	12338471	
Temperature	MS24542-2	MS24543-2	11669355	12338473
Voltmeter	MS24532-2	12338472		



### Gauges, Flexible Shafts and Adapters IAW MIL-DTL-10215 (Formerly MIL-S-10215)

#### Speedometers and Tachometers



<b>Speedometers</b>	
MS39021-2	M10215-1A
12338463	DS52140
M10215-1E	
<b>Tachometers</b>	MS35916-2 M10215-1B

#### Flexible Shaft and Core Assemblies



MS51071 Series  
MS51072 Series  
MS52116 Series  
M10215-1F1XX Series  
M10215-1F4XX Series  
M10215-1F9XX

#### Adapters



MS39130 Series  
MS39132 Series  
MS53099 Series  
M10215-1F5XX Series  
M10215-1F71  
M10215-1F8XX Series

For complete details on these products please request our catalog MP0906.

## other products



## Speedometer and Tachometer Cables, Ratio Adapters and Right Angle Drive Adapters and Components

Clark Brothers Instrument Company is the manufacturer of the highest quality, most economical, American Made, Speedometer and Tachometer Cables, Ratio Adapters and Right Angle Drive Adapters and their components. As the largest supplier of these products in the US to the Automotive, Heavy Truck, Off-Road Equipment and Military Markets, we lead the industry. Our Q-1 Rating from Ford Motor Company®, our Zero Follow-up Award from GM®, and our QPL approval from the U.S. Department of Defense are proof positive that Clark Brothers Instrument is a company you can trust for quality and service. For many of our customers our All-Makes Cable and Adapter programs have proven to be a sensible alternative to making Speedometer and Tachometer Cables and Ratio Adapters from components. These programs consolidate over 1700 Heavy Truck and Automotive part numbers down to 198 total All-Makes part numbers. Built using the same materials and processes that meet or exceed OEM specifications, these cables and adapters offer the widest coverage available with a minimum of inventory. All of these products are proudly Made in the U.S.A. Every cable and ratio adapter assembly carries a 24 month unlimited mileage warranty.



We also offer a complete line of factory assembled speedometer cables for the automotive market. Once again through our experience we have been able to consolidate hundreds of OEM part numbers down to just 58 that cover almost every application for Chrysler®, Ford® and General Motors® vehicles including the hard to find classic car cables. As part of our complete offering we also make available all components used to manufacture these cables and adapters. No other company offers as many cable and adapter components.

If you want original equipment quality at reasonable prices your only choice is Clark Brothers Instrument Co.

### Test and Tune Equipment

Dating back to the 1940's Accurate Instruments has been a well respected and recognized provider of Automotive Test and Tune equipment for automotive repair shops and DIY applications. Since our acquisition of Accurate Instruments in 1996 we have been proud to provide these products to quality companies such as NAPA/Balkamp® and other automotive retailers and distributors. Currently this product line includes Multi-Meters, Compression Testers, Engine Analyzers and Timing Lights. All of these products carry a two year warranty.







CLARK  
BROTHERS  
INSTRUMENT



Distributed by >



56680 MOUND ROAD | SHELBY TOWNSHIP, MI 48316 USA | [586] 781-7000 | FAX [586] 781-7005

Printed in U.S.A. ©2006 Clark Brothers Instrument Company. All rights reserved.

GC0906

Disclaimer: Clark Brothers Instrument Co. is not affiliated with Stewart Warner Corporation/Datcon/Maxima Technologies®, Siemens-VDO®, Thomas G. Faria Corporation®, Equus Products Inc.®, SunPro/SPX Corporation®, GM/Genral Motors® or MakeWaves Instrument Corporation®. All Manufacture's name, numbers, symbols and description are used for reference only. It is not implied that any part listed is the product of these manufacturers.