

IntelliCross APS

The IntelliCross APS is the state-of-the-art solution for solving pedestrian traffic challenges. The IntelliCross turns a pre-timed pedestrian intersection into a fully actuated intersection. Pre-loaded or custom audio messages with remote or local configuration access are only two of the many key features of Pelco's intelligent pedestrian system. Contact Pelco for additional information.



PUSH BUTTONS



APS Assy, IntelliCross w/ Single Arrow, for 5" x 7-3/4" Sign, Alum

SE-2900 - Coating
 PNC=Process No Color
 P__=Paint

APS Assy, IntelliCross w/ Single Arrow, Custom Configured for 5" x 7-3/4" Sign, Alum

SE-2901 - - Buttons per Intersection Coating
 2=2 Buttons PNC=Process No Color
 4=4 Buttons P__=Paint
 6=6 Buttons
 8=8 Buttons



Note:
 PIM - Power Interface Module included.
 Pedestrian signs, sign adapters, and double arrow kits sold separately.



CIU, Communication Interface Unit, Compact for APS IntelliCross Button

SE-6172-PNC

Note:
 CUI is optional. Only required for advanced features.

- Note: 1. All assemblies are supplied standard with stainless steel fasteners.
 2. For pedestrian signs available refer to pages T8-27 through T8-29.
 3. See Reference Section page v for available paint colors.



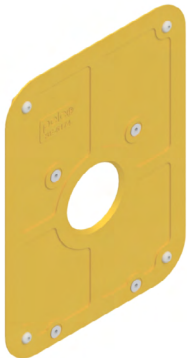
IntelliCross APS

The IntelliCross APS is the state-of-the-art solution for solving pedestrian traffic challenges. The IntelliCross turns a pre-timed pedestrian intersection into a fully actuated intersection. Pre-loaded or custom audio messages with remote or local configuration access are only two of the many key features of Pelco's intelligent pedestrian system. Contact Pelco for additional information.



Adapter Assy, 9" x 15", w/ Hardware IntelliCross, Alum

SE-2174 - Coating
PNC=Process No Color
P__=Paint



Adapter Assy, 9" x 12", w/ Hardware IntelliCross, Alum

SE-2171 - Coating
PNC=Process No Color
P__=Paint



Adapter Assy, 9" x 3", w/ Hardware IntelliCross, Alum

SE-2175 - Coating
PNC=Process No Color
P__=Paint



Arrow, Double for APS IntelliCross Push Button, w/ Hardware, Alum

SE-6170-2 - Coating
P__=Paint

Note: 1. All assemblies are supplied standard with stainless steel fasteners.
2. See Reference Section page v for available paint colors.

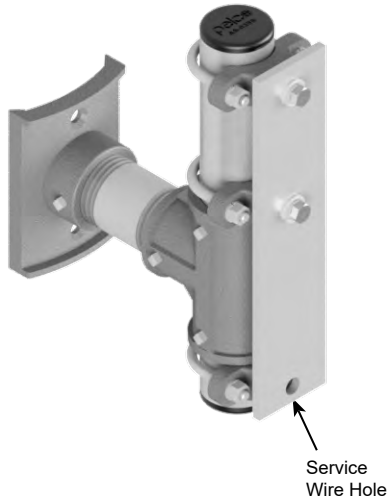


Push Button Extenders

Extenders are available for the IntelliCross and both round and rectangular push buttons. Provided with a service wire hole and optional nipple length they allow for pedestrian push buttons to be mounted an extended distance away from the pole.

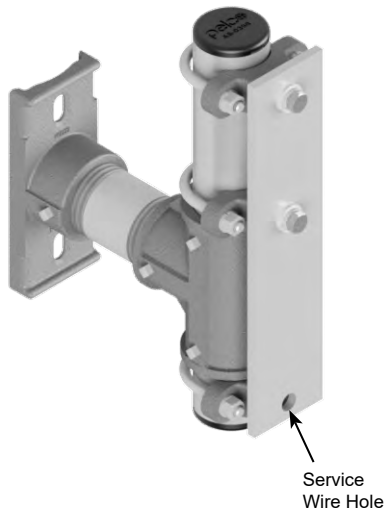


Push Button Extender Assy, IntelliCross w/ Large Pole Hub, Alum



SE-2180	-	Nipple Length	-	Coating
		<input type="text"/>		<input type="text"/>
		04=4"		PNC=Process No Color
		06=6"		P_ =Paint
		12=12"		
		16=16"		
		24=24"		

Push Button Extender Assy, IntelliCross w/ Universal Hub, Alum



SE-2186	-	Nipple Length	-	Coating
		<input type="text"/>		<input type="text"/>
		04=4"		PNC=Process No Color
		06=6"		P_ =Paint
		12=12"		
		16=16"		
		24=24"		

Note: 1. All assemblies are supplied standard with stainless steel fasteners.
 2. See Reference Section page v for available paint colors.



Push Button Extenders

Extenders are available for the IntelliCross and both round and rectangular push buttons. Provided with a service wire hole and optional nipple length they allow for pedestrian push buttons to be mounted an extended distance away from the pole.



Push Button Extender Assy, Round or Rectangular w/ Large Pole Hub, Alum



SE-2136	-	<input type="text"/>	-	<input type="text"/>
		Nipple Length		Coating
		04=4"		PNC=Process No Color
		06=6"		P_=_=Paint
		08=8"		
		10=10"		
		12=12"		
		14=18"		
		20=24"		
		24=24"		

Push Button Extender Assy, Round or Rectangular w/ Universal Hub, Alum



SE-2169	-	<input type="text"/>	-	<input type="text"/>
		Nipple Length		Coating
		04=4"		PNC=Process No Color
		06=6"		P_=_=Paint
		08=8"		
		10=10"		
		12=12"		
		14=18"		
		20=24"		
		24=24"		

Note: 1. All assemblies are supplied standard with stainless steel fasteners.
2. See Reference Section page v for available paint colors.

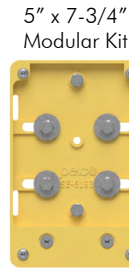


Modular Station Kits

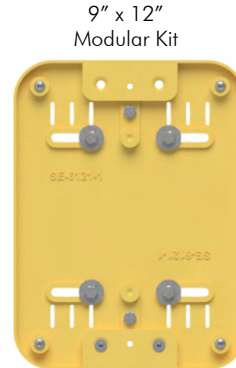
The unique line of modular push button stations provide flexibility by adapting various size sign stations to round or oval push button cover assemblies. Stations can be ordered as a complete unit or as modular kits to assemble for variations in sign size and push button covers.



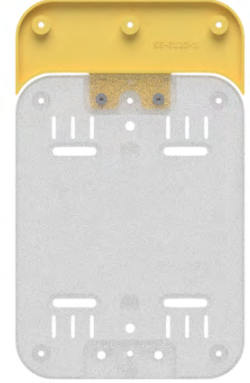
SE-2132-15-PLD-P29 shown.
 Modular Push Button Station Assy, 9" x 15"
 Piezo Passport w/ LED, Alum, Federal Yellow



5" x 7-3/4"
 Modular Kit
 Coating
 SE-6193 -
 PNC=Process No Color
 P__=Paint



9" x 12"
 Modular Kit
 Coating
 SE-6121 -
 PNC=Process No Color
 P__=Paint



9" x 3"
 Modular Kit
 (attaches to 9"x12"
 for a 9" x 15" sign)
 Coating
 SE-6123 -
 PNC=Process No Color
 P__=Paint



Oval Cover
 Adapter Kit
 Coating
 SE-6124 -
 PNC=Process No Color
 P__=Paint



2-Hole Cover
 Adapter Kit
 Coating
 SE-6122 -
 PNC=Process No Color
 P__=Paint



4-Hole Cover
 Adapter Kit
 Coating
 SE-6189 -
 PNC=Process No Color
 P__=Paint



Oval w/ Directional Arrow
 Cover Assy
 Piezo or Mechanical



Round Cover Assy,
 2-Hole Mount
 Piezo or Mechanical



Round Cover Assy,
 4-Hole Mount
 Piezo

Note: For a complete selection of cover assemblies available see pages T8-12 and T8-19.

Note: 1. All assemblies are supplied standard with stainless steel fasteners.
 2. For pedestrian signs available refer to pages T8-27 through T8-29.
 3. See Reference Section page v for available paint colors.



Modular Station Assembly Piezo Switch

These unique Pelco push button stations feature a versatile modular design that provides flexibility by adapting different push button cover assemblies, both latching and non-latching, to multiple size sign stations.



SE-2132-7-PLED-P29 shown.

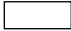
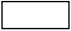
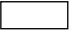


SE-2132-12-PLED-P29 shown.

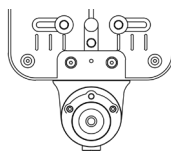


SE-2132-15-P4HLED-P29 shown.

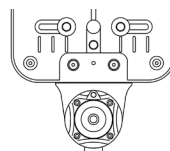
Modular Push Button Station Assy, Piezo Switch, Alum

SE-2132	-	Size	-	Button	-	Coating
						
		7=5" x 7-3/4"		P=Piezo		PNC=Process No Color
		12=9"x12"		PLED=Piezo w/ LED		P__=Paint
		15=9"x15"		PLED-LCH=Piezo w/ Latching LED		
				P4H= Piezo 4-Hole		
				P4HLED=Piezo 4-Hole w/ LED		
				P4HLED-LCH= Piezo 4-Hole w/ Latching LED		

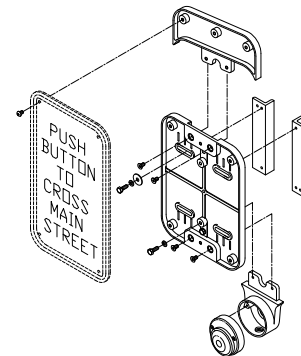
Note:
Latching option requires SE-1041 Controller Assy.



2-Hole Cover



4-Hole Cover



Modular Station
(sign sold separately)

- Note:
1. All assemblies are supplied standard with stainless steel fasteners.
 2. Latching units are latched on during the "Don't Walk" cycle with the addition of the SE-1041 controller.
 3. For pedestrian signs available refer to pages T8-27 through T8-29.
 4. See Reference Section page v for available paint colors.



Modular Station Assembly Oval w/ Directional Arrow Piezo Switch

These unique Pelco push button stations feature a versatile modular design that provides flexibility by adapting different push button cover assemblies, both latching and non-latching, to multiple size sign stations.



Modular Push Button Station Assy, Oval w/ Directional Arrow Piezo Switch, Alum



SE-2134-7-PLED-1-P29 shown.

Size	Button	Arrow	Coating
SE-2134 - <input type="checkbox"/>	- <input type="checkbox"/>	- <input type="checkbox"/>	- <input type="checkbox"/>
7=5" x 7-3/4" 12=9"x12" 15=9"x15"	PLED=Piezo w/ LED PLED-LCH=Piezo w/ Latching LED	1=Single 2=Double	PNC=Process No Color P__=Paint

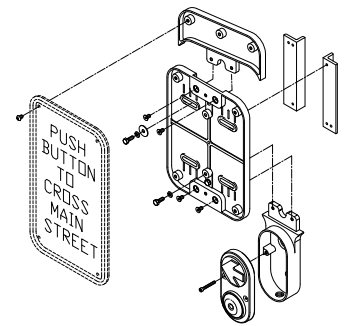
Note:
Latching option requires SE-1041 Controller Assy.



SE-2134-12-PLED-1-P29 shown.



SE-2134-15-PLED-LCH-2-P29 shown.



Modular Station
(sign sold separately)

- Note: 1. All assemblies are supplied standard with stainless steel fasteners.
 2. Latching units are latched on during the "Don't Walk" cycle with the addition of the SE-1041 controller.
 3. For pedestrian signs available refer to pages T8-27 through T8-29.
 4. See Reference Section page v for available paint colors.



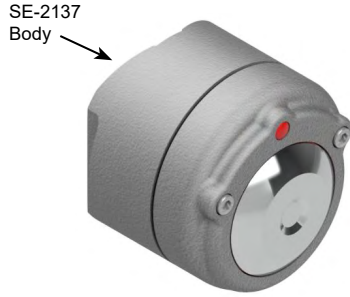
This page is intentionally left blank.

PUSH BUTTONS



Push Button Assembly, Passport Piezo Switch

The Passport Pedestrian Push Button is Piezo based, utilizing the latest technology. It's durable impact and vandal resistant construction, made of die cast aluminum and stainless steel, is virtually weatherproof. Available in 2-hole or 4-hole mount and with or without LED. Contact Pelco for information on customizing the button with a laser etched logo.

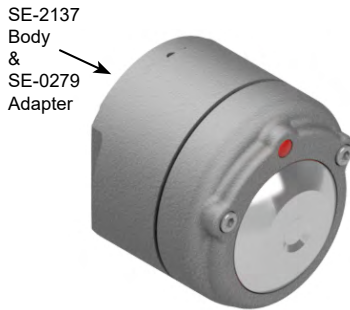


Push Button Assy, Passport Pole Mount, Alum Piezo Switch w/ LED

SE-2120 - Latching - Coating

Blank=Non-Latching PNC=Process No Color
LCH=Latching P__=Paint

Note:
Latching option requires SE-1041 Controller Assy.

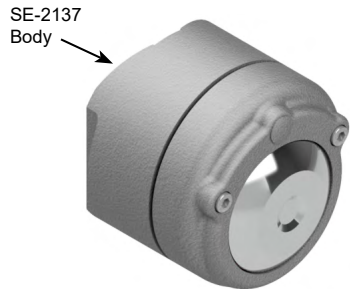


Push Button Assy, Passport Flat Back Mount, Alum Piezo Switch w/ LED

SE-2154 - Latching - Coating

Blank=Non-Latching PNC=Process No Color
LCH=Latching P__=Paint

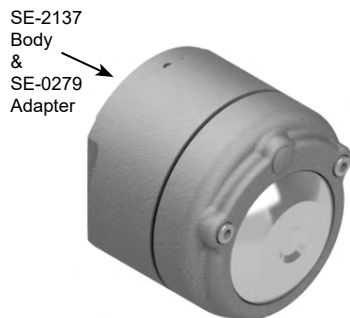
Note:
Latching option requires SE-1041 Controller Assy.



Push Button Assy, Passport Pole Mount, Alum Piezo Switch w/o LED

SE-2165 - Coating

PNC=Process No Color
P__=Paint



Push Button Assy, Passport Flat Back Mount, Alum Piezo Switch w/o LED

SE-2166 - Coating

PNC=Process No Color
P__=Paint

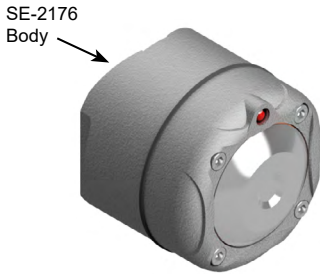


Note: 1. All assemblies are supplied standard with stainless steel fasteners.
2. Latching units are latched on during the "Don't Walk" cycle with the addition of the SE-1041 controller.
3. See Reference Section page v for available paint colors.



Push Button Assembly, Passport Piezo Switch

The Passport Pedestrian Push Button is Piezo based, utilizing the latest technology. It's durable impact and vandal resistant construction, made of die cast aluminum and stainless steel, is virtually weatherproof. Available in 2-hole or 4-hole mount and with or without LED. Contact Pelco for information on customizing the button with a laser etched logo.



Passport Push Button Assy, Alum Pole Mount, 4-Hole Cover w/ LED

SE-2170 - Latching - Arrow - Coating

Blank=Non-Latching LCH=Latching Blank=None 1=1-Way 2=2-Way PNC=Process No Color P__=Paint

Note: Latching option requires SE-1041 Controller Assy.



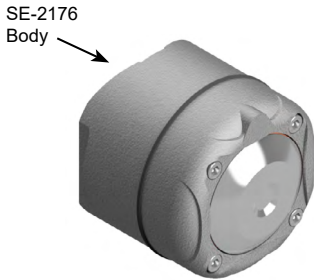
1-Way Arrow



2-Way Arrow



Pole Mount



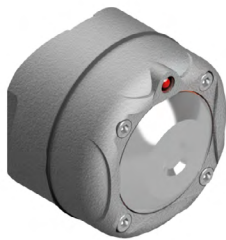
Passport Piezo Push Button Assy, Alum Pole Mount, 4-Hole Cover w/o LED

SE-2178 - Coating

PNC=Process No Color P__=Paint



Pole Mount



Passport Push Button Assy, Shallow Profile, Alum Pole Mount, 4-Hole Cover w/ LED

SE-2181 - Latching - Arrow - Coating

Blank=Non-Latching LCH=Latching Blank=None 1=1-Way 2=2-Way PNC=Process No Color P__=Paint

Note: Latching option requires SE-1041 Controller Assy.



1-Way Arrow



2-Way Arrow



Pole Mount



Passport Piezo Push Button Assy, Alum Pole Mount, Rectangular Cover w/ LED

SE-2183 - Coating

PNC=Process No Color P__=Paint



Pole Mount

- Note: 1. All assemblies are supplied standard with stainless steel fasteners.
 2. Latching units are latched on during the "Don't Walk" cycle with the addition of the SE-1041 controller.
 3. See Reference Section page v for available paint colors.



Push Button Assembly Oval w/ Directional Arrow Piezo Switch

Pelco's Piezo oval push button with directional arrow is available for round pole or flat back mounting. The oval push button has the option of a single or double adjustable arrow and with or without an LED indicator.



Push Button Assy, Pole Mount, Alum Oval w/ Directional Arrow Piezo Switch w/ LED



SE-2162 - - -
 1=Single Arrow Blank=Non-Latching PNC=Process No Color
 2=Double Arrow LCH=Latching P__=Paint

Note:
Latching option requires SE-1041 Controller Assy.



Pole Mount

Push Button Assy, Flat Back Mount, Alum Oval w/ Directional Arrow Piezo Switch w/ LED



SE-2163 - - -
 1=Single Arrow Blank=Non-Latching PNC=Process No Color
 2=Double Arrow LCH=Latching P__=Paint

Note:
Latching option requires SE-1041 Controller Assy.



Flat Back Mount

- Note: 1. All assemblies are supplied standard with stainless steel fasteners.
 2. Latching units are latched on during the "Don't Walk" cycle with the addition of the SE-1041 controller.
 3. See Reference Section page v for available paint colors.



Cover Assembly Piezo Switch

The Passport Pedestrian Push Button is Piezo based, utilizing the latest technology. It's durable impact and vandal resistant construction, made of die cast aluminum and stainless steel, is virtually weatherproof. Available in 2-hole or 4-hole mount and with or without LED. Contact Pelco for information on customizing the button with a laser etched logo.



Cover Assy, Passport Piezo Push Button w/ LED

SE-2119 - Latching - Coating
 Blank=Non-Latching PNC=Process No Color
 LCH=Latching P__=Paint

Note: Latching option requires SE-1041 Controller Assy.



Cover Assy, Passport Piezo Push Button w/o LED

SE-2164 - Coating
 PNC=Process No Color
 P__=Paint



Cover Assy, Passport Piezo Push Button 4-Hole Mount w/ LED

SE-2172 - Latching - Coating
 Blank=Non-Latching PNC=Process No Color
 LCH=Latching P__=Paint

Note: Latching option requires SE-1041 Controller Assy.



Cover Assy, Passport Piezo Push Button 4-Hole Mount w/o LED

SE-2179 - Latching - Coating
 Blank=Non-Latching PNC=Process No Color
 LCH=Latching P__=Paint

Note: 1. All assemblies are supplied standard with stainless steel fasteners.
 2. Latching units are latched on during the "Don't Walk" cycle with the addition of the SE-1041 controller.
 3. See Reference Section page v for available paint colors.



Cover Assembly Piezo Switch

The Passport Pedestrian Push Button is Piezo based, utilizing the latest technology. It's durable impact and vandal resistant construction, made of die cast aluminum and stainless steel, is virtually weatherproof. Rectangular is available with or without LED. Contact Pelco for information on customizing the button with a laser etched logo.



Cover Assy, Passport Piezo Push Button Rectangular w/ LED

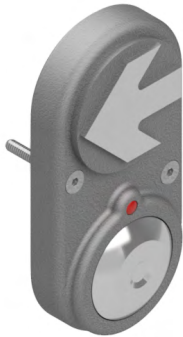
SE-2182 - Latching - Coating
 Blank=Non-Latching PNC=Process No Color
 LCH=Latching P__=Paint

Note: Latching option requires SE-1041 Controller Assy.



Cover Assy, Passport Piezo Push Button Rectangular w/o LED

SE-2185 - Coating
 PNC=Process No Color
 P__=Paint



Cover Assy, Oval Piezo Push Button w/ Directional Arrow & LED

SE-2161 - Arrow Latching Coating
 1=Single Arrow Blank=Non-Latching PNC=Process No Color
 2=Double Arrow LCH=Latching P__=Paint

Note:
Latching option requires SE-1041 Controller Assy.

- Note: 1. All assemblies are supplied standard with stainless steel fasteners.
 2. Latching units are latched on during the "Don't Walk" cycle with the addition of the SE-1041 controller.
 3. See Reference Section page v for available paint colors.



This page is intentionally left blank.



Modular Station Assembly Mechanical Switch

These unique Pelco push button stations feature a versatile modular design that provides flexibility by adapting different push button cover assemblies, both latching and non-latching, to multiple size sign stations.



SE-2132-7-M-P29 shown.



SE-2132-12-M-P29 shown.

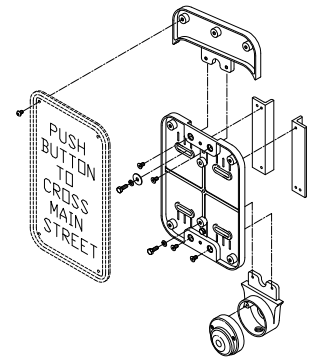


SE-2132-15-MLED-LCH-P29 shown.

Modular Push Button Station Assy, Mechanical Switch, Alum

SE-2132	-	Size	-	Button	-	Coating
		7=5" x 7-3/4"		M=Mechanical		PNC=Process No Color
		12=9"x12"		MLED-LCH= Mech w/ Latching LED		P__=Paint
		15=9"x15"				

Note:
Latching option requires SE-1041 Controller Assy.



9" x 15" Modular Station shown
(sign sold separately)

- Note: 1. All assemblies are supplied standard with stainless steel fasteners.
 2. Latching units are latched on during the "Don't Walk" cycle with the addition of the SE-1041 controller.
 3. For pedestrian signs available refer to pages T8-27 through T8-29.
 4. See Reference Section page v for available paint colors.



Modular Station Assembly Oval w/ Directional Arrow Mechanical Switch

These unique Pelco push button stations feature a versatile modular design that provides flexibility by adapting different push button cover assemblies, both latching and non-latching, to multiple size sign stations.



pelco PUSH BUTTONS
PELCO PRODUCTS, INC.



SE-2134-7-M-1-P29 shown.

Modular Push Button Station Assy, Oval w/ Directional Arrow Mechanical Switch, Alum

SE-2134	-	Size	-	Button	-	Arrow	-	Coating
		7=5" x 7-3/4"		M=Mechanical		1=Single		PNC=Process No Color
		12=9"x12"		MLED-LCH= Mech w/ Latching LED		2=Double		P__=Paint
		15=9"x15"						

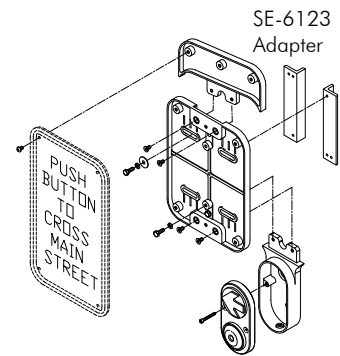
Note:
Latching option requires SE-1041 Controller Assy.



SE-2134-12-MLED-LCH-1-P29 shown.



SE-2134-15-MLED-LCH-2-P29 shown.



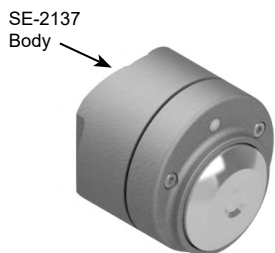
9" x 15" Modular Station shown
(sign sold separately)

- Note:
1. All assemblies are supplied standard with stainless steel fasteners.
 2. Latching units are latched on during the "Don't Walk" cycle with the addition of the SE-1041 controller.
 3. For pedestrian signs available refer to pages T8-27 through T8-29.
 4. See Reference Section page v for available paint colors.



Push Button Assembly Mechanical Switch

Pelco has a full line of ADA compliant pedestrian push buttons and stations, mechanical and Piezo, that are available with or without LED indicators. Contact Pelco for information on additional push button assemblies not shown in the catalog.



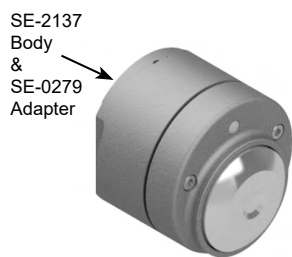
Round Push Button Assy, Pole Mount, Alum Mechanical Switch

SE-2005 - Button - Coating
 M=Mechanical PNC=Process No Color
 MLED-LCH= Mech w/ Latching LED P__=Paint



Pole Mount

Note:
Latching option requires SE-104 Controller Assy.



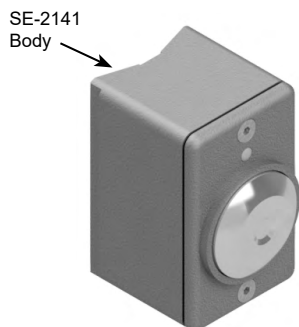
Round Push Button Assy, Flat Back, Alum Mechanical Switch

SE-2006 - Button - Coating
 M=Mechanical PNC=Process No Color
 MLED-LCH= Mech w/ Latching LED P__=Paint



Flat Back Mount

Note:
Latching option requires SE-1041 Controller Assy.



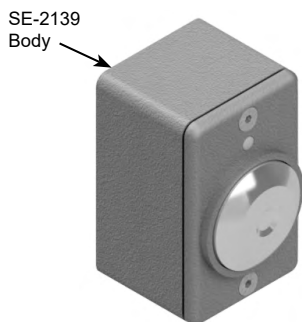
Rectangular Push Button Assy, Pole Mount, Alum Mechanical Switch

SE-2000 - Button - Coating
 M=Mechanical PNC=Process No Color
 MLED-LCH= Mech w/ Latching LED P__=Paint



Pole Mount

Note:
Latching option requires SE-1041 Controller Assy.



Rectangular Push Button Assy, Flat Back, Alum Mechanical Switch

SE-2001 - Button - Coating
 M=Mechanical PNC=Process No Color
 MLED-LCH= Mech w/ Latching LED P__=Paint



Flat Back Mount

Note:
Latching option requires SE-1041 Controller Assy.

- Note: 1. All assemblies are supplied standard with stainless steel fasteners.
 2. Latching units are latched on during the "Don't Walk" cycle with the addition of the SE-1041 controller.
 3. See Reference Section page v for available paint colors.



ADA w/ Directional Arrow Mechanical Switch

Pelco has a full line of ADA compliant pedestrian push buttons and stations, mechanical and Piezo, that are available with or without LED indicators. Contact Pelco for information on additional push button assemblies not shown in the catalog.



Push Button Assy, Pole Mount, Alum Oval w/ Directional Arrow Mechanical Switch

SE-2039 - - -
 M=Mechanical 1=Single Arrow PNC=Process No Color
 MLED-LCH= Mech w/ Latching LED 2=Double Arrow P__=Paint



Pole Mount

Note:
Latching option requires SE-1041 Controller Assy.

Push Button Assy, Flat Back Mount, Alum Oval w/ Directional Arrow Mechanical Switch



SE-2040 - - -
 M=Mechanical 1=Single Arrow PNC=Process No Color
 MLED-LCH= Mech w/ Latching LED 2=Double Arrow P__=Paint



Flat Back Mount

Note:
Latching option requires SE-1041 Controller Assy.

- Note: 1. All assemblies are supplied standard with stainless steel fasteners.
 2. Latching units are latched on during the "Don't Walk" cycle with the addition of the SE-1041 controller.
 3. See Reference Section page v for available paint colors.



Push Button Cover Mechanical Switch

Pelco has a full line of ADA compliant pedestrian push buttons and stations, mechanical and Piezo, that are available with or without LED indicators. Contact Pelco for information on additional push button assemblies not shown in the catalog.



Cover Assy, Round Push Button Mechanical

SE-2009 - M -

Button Coating

PNC=Process No Color
P__=Paint



Cover Assy, Round Push Button Mechanical, Latching LED

SE-2009 - MLED - LCH -

Button Latching Coating

PNC=Process No Color
P__=Paint

Note:
Requires SE-1041 Controller Assy.



Cover Assy, Rectangular Push Button Mechanical

SE-2015 - M -

Button Coating

PNC=Process No Color
P__=Paint



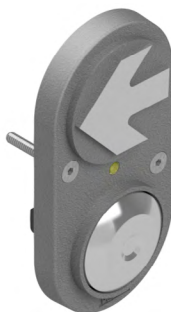
Cover Assy, Rectangular Push Button Mechanical, Latching LED

SE-2015 - MLED - LCH -

Button Latching Coating

PNC=Process No Color
P__=Paint

Note:
Requires SE-1041 Controller Assy.



Cover Assy, Oval Push Button Mechanical w/ Directional Arrow

SE-2048 - - -

Button Arrow Coating

M=Mechanical 1=Single Arrow PNC=Process No Color
MLED-LCH= Mech w/ Latching LED 2=Double Arrow P__=Paint

Note:
Latching option requires SE-1041 Controller Assy.

- Note: 1. All assemblies are supplied standard with stainless steel fasteners.
2. Latching units are latched on during the "Don't Walk" cycle with the addition of the SE-1041 controller.
3. See Reference Section page v for available paint colors.



5" x 7-3/4" Station Mechanical Switch

Pelco's fixed pedestrian stations are available with attachable signs or cast legends. A wide variety of pedestrian signs, including Braille, are available in various sizes.



Push Button Station Assy, Rectangular 5" x 7-3/4" Blank Face, Alum Mechanical Switch

SE-2037 - Button - M - Coating
Mechanical PNC=Process No Color
P_ =Paint



Top View



Push Button Station Assy, Rectangular 5" x 7-3/4" Cast Legend, Alum Mechanical Switch

SE-2038 - Sign Face - Button - Legend Color - Coating
1030 Mechanical 106=Black Ink PNC=Process No Color
1031 107=White Ink P_ =Paint
1032 110=Silver Ink
1039
*See Below



Top View



Push Button Station Assy, 9" x 12" Cast Legend, Alum Mechanical Switch

SE-2089 - Sign Face - Button - Legend Color - Coating
1030 Mechanical 106=Black Ink PNC=Process No Color
1031 107=White Ink P_ =Paint
1032 110=Silver Ink
1039
*See Below

*Cast Sign Face Options:

Legend (Ink)	Body (Paint)	Color Combination
-106	-PNC	Black on Natural
-106	-PXX	Black on Paint
-107	-PXX	Silver on Paint
-110	-PXX	Silver on Paint



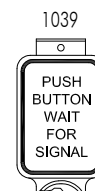
Left Man/Left Arrow



Right Man/Right Arrow



Right Man/Double Arrow



Instruction



Top View

Note: 1. All assemblies are supplied standard with stainless steel fasteners.
2. For pedestrian signs available refer to pages T8-27 through T8-29.
3. See Reference Section page v for available paint colors.



Modular Station Body

These unique Pelco push button stations feature a versatile modular design that provides flexibility by adapting different push button cover assemblies to multiple size sign stations. The 9" x 12" station can easily be converted to 9" x 15" station by adding a 3" x 12" adapter kit.



SE-2142 -

Size
7=5" x 7-3/4"
12=9"x12"
15=9"x15"

 -

Coating
PNC=Process No Color
P__=Paint

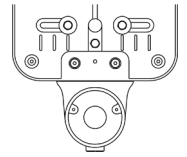
Modular Sign Station Body Assy, Alum For Round 2-Hole Push Buttons



SE-2142-7-P33

SE-2142-12-P33

SE-2142-15-P33



2-Hole Cover

SE-2147 -

Size
7=5" x 7-3/4"
12=9"x12"
15=9"x15"

 -

Coating
PNC=Process No Color
P__=Paint

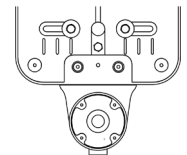
Modular Sign Station Body Assy, Alum For Round 4-Hole Push Button



SE-2147-7-P33

SE-2147-12-P33

SE-2147-15-P33



4-Hole Cover

- Note: 1. All assemblies are supplied standard with stainless steel fasteners.
 2. For pedestrian signs available refer to pages T8-27 through T8-29.
 3. See Reference Section page v for available paint colors.



Modular Station Body

These unique Pelco push button stations feature a versatile modular design that provides flexibility by adapting different push button cover assemblies to multiple size sign stations. The 9" x 12" station can easily be converted to 9" x 15" station by adding a 3" x 12" adapter kit.



SE-2144 -

Size
7=5" x 7-3/4"
12=9" x 12"
15=9" x 15"

 -

Coating
PNC=Process No Color
P__=Paint

Modular Sign Station Body Assy, Alum For Oval Push Buttons w/ Directional Arrows



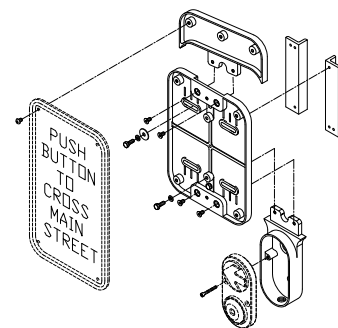
SE-2144-7-P33



SE-2144-12-P33



SE-2144-15-P33



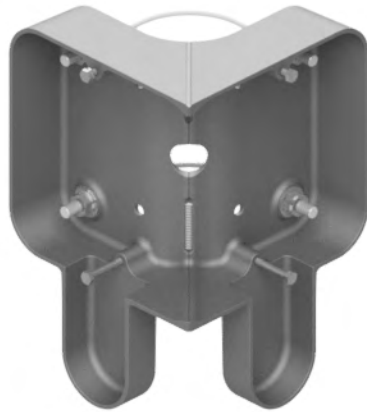
9" x 15" Modular Station shown
(sign and cover sold separately)

- Note: 1. All assemblies are supplied standard with stainless steel fasteners.
2. For pedestrian signs available refer to pages T8-27 through T8-29.
3. See Reference Section page v for available paint colors.



9" x 12" Station Adapter

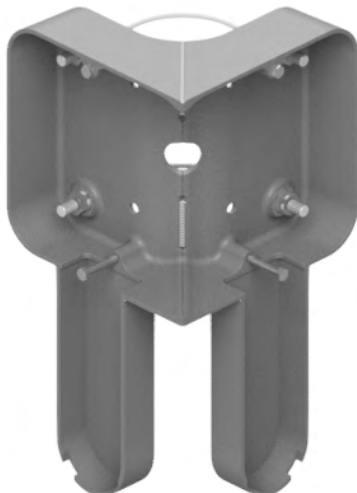
Pelco's station adapter is for use with 9"x12" stations where there is a need for mounting stations at 90° from each other on a small diameter pole. Available for the round or oval push button stations.



Adapter, Double Push Button Station, 9" x 12" for Round Push Button & 4-1/2" OD Pole, Alum

SE-6042 - -
 Mount Coating
 Blank=Bolt Mount PNC=Process No Color
 CM=Cable Mount P__=Paint

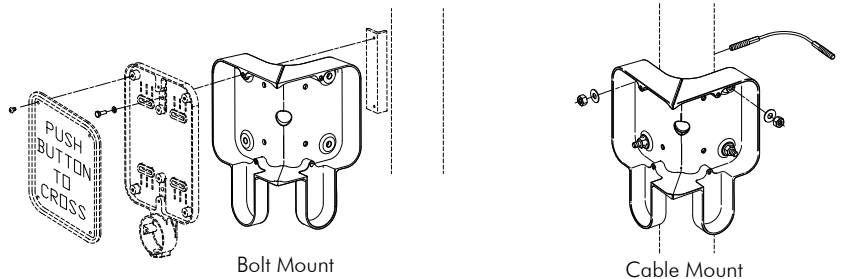
Note:
For station assemblies with round push button.



Adapter, Double Push Button Station, 9" x 12" for Oval Push Button & 4-1/2" OD Pole, Alum

SE-6109 - -
 Mount Coating
 Blank=Bolt Mount PNC=Process No Color
 CM=Cable Mount P__=Paint

Note:
For station assemblies with oval push button.



- Note: 1. All assemblies are supplied standard with stainless steel fasteners.
 2. For pedestrian signs available refer to pages T8-27 through T8-29.
 3. See Reference Section page v for available paint colors.



This page is intentionally left blank.



Latching Controller Assembly

The Pelco Latching Push Button Assembly provides visual confirmation to the pedestrian that a pedestrian call has been placed. An LED located on the Pedestrian Push Button illuminates when pressed, and stays illuminated until the "Walk Signal" is energized by the Traffic Controller. The Latching Push Button Controller also provides electrical isolation between the Push Buttons and Controller.



SE-1041-PNC Controller Assy, Latching Pushbutton, Alum

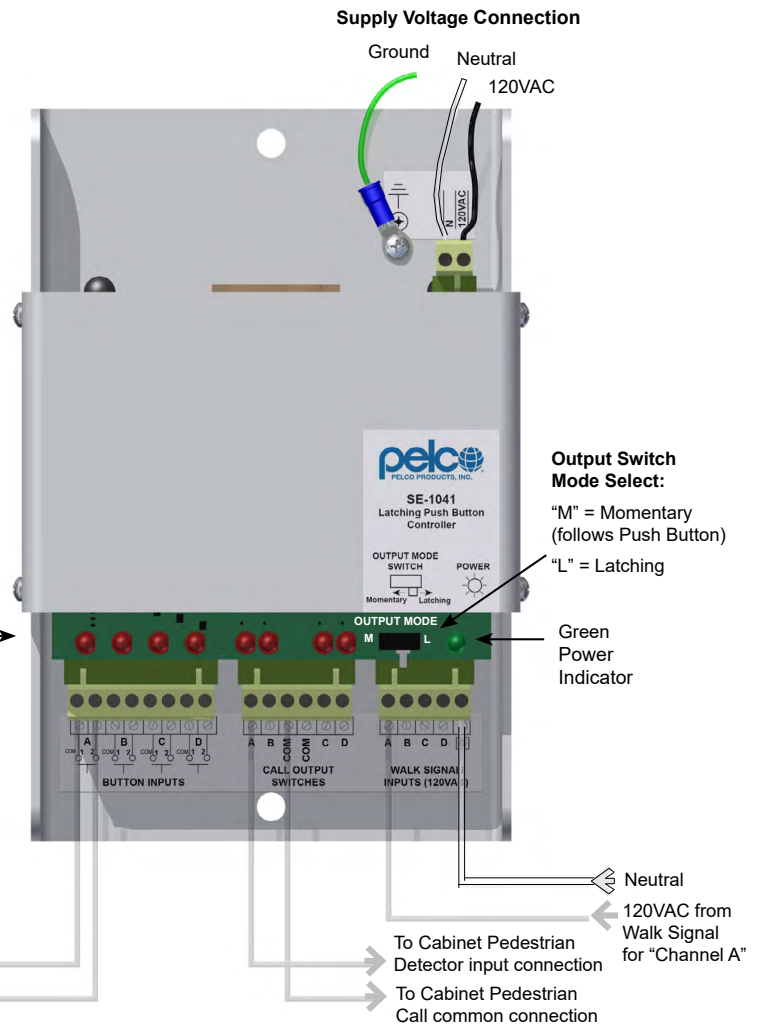
Note: Max 4 Push Buttons per Channel
 Each push button channel requires two separate wires.
 Common wire can not be shared between channels.

When used with Pelco's latching LED push buttons, and a pedestrian pushes a push button during the don't walk interval, the LED on all push buttons wired to that channel will come on, providing a continuous confirmation that a call has been placed to the traffic signal controller. When the walk signal comes on, the LED indication on all push buttons hooked up to that particular channel will go off.

Red LED indicators to show the state of each channel input and output:

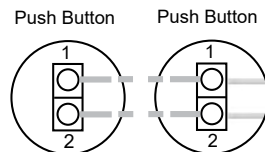
For the button inputs, the channel is latched when the LED is on. While the push button is being pressed, these LEDs will flash until the push button is released, and then they will stay on.

The call output switch indicator LEDs will turn on while the call output switch is "closed" and placing a call to the traffic controller. Whether these output switches latch on or follow the push button press is controlled by the output mode switch.



**"Channel A" shown here for example:

*Proper wire polarity MUST be observed
 #1-COM from LPBC to #1 on push button
 #2 from LPBC to #2 on push button



*Max 4 Push Buttons per Channel

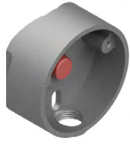
*Only wires connected to terminal 1-COM of BUTTON INPUTS can be shared between channels.

Note: 1. Refer to previous pages of this catalog section for LED push buttons or stations -LCH latching option.

2. Each channel of the 4 channel latching controller can operate up to 4 push buttons for a total of 16 push buttons per controller Assembly.



Push Button Components



Body Assy, Round Pole Mount, 2-Hole, Alum

SE-2137 - Coating
 PNC=Process No Color
 P__=Paint



Body Assy, Round Pole Mount, 4-Hole, Alum

SE-2176 - Coating
 PNC=Process No Color
 P__=Paint



Flat Back Adapter, Round Push Button, Alum

SE-0279 - Coating
 PNC=Process No Color
 P__=Paint



Body Assy, Rectangular Pole Mnt, Alum

SE-2141 - Coating
 PNC=Process No Color
 P__=Paint



Body Assy, Rectangular Flat Back, Alum

SE-2139 - Coating
 PNC=Process No Color
 P__=Paint



Body Assy, Oval Push Button Pole Mount

SE-2140 - Coating
 PNC=Process No Color
 P__=Paint



Flat Back Adapter, Oval Push Button, Alum

SE-0270 - Coating
 PNC=Process No Color
 P__=Paint



Arrow Kit, Adjustable, Oval Push Button, Alum

SE-2504 - Arrow - Coating
 1=Single PNC=Process No Color
 2=Double P__=Paint



Adapter Kit, Round Cover to Body, Alum

SE-2507-PNC

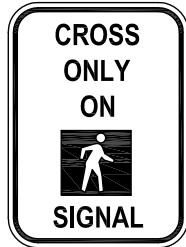
Note: Required for adapting round mechanical cover to older style round bodies and stations.

Note: 1. All assemblies are supplied standard with stainless steel fasteners.
 2. See Reference Section page v for available paint colors.



Pedestrian Signs MUTCD Compliant

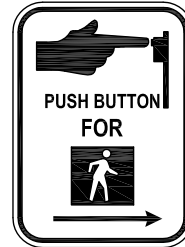
PUSH BUTTONS



R10-2a

SF-1085-

Size	-	3/8" Mtg Holes	-	PNC
12=9"x12"		Blank=None		
		2H=2@10" CTC		
		4H=4@7"x10" CTC		



R10-3

SF-1014-

Size	-	Arrow	-	3/8" Mtg Holes	-	PNC
7=5"x7-3/4"		R= Right Man/Arrow		Blank=None		
12=9"x12"		L= Left Man/Arrow		2H=2@6.25" CTC		
		D=Left Man/Double Arrow		2H=2@10" CTC		
				4H=4@4"x6.75" CTC		
				4@7"x10" CTC		

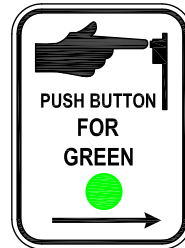
Note: For double sided R10-3 sign order SF-1098.



R10-25

SF-1083-

Size	-	3/8" Mtg Holes	-	PNC
7=5" x 7-3/4"		Blank=None		
12=9" x 12"		2H=2@6.25" CTC		
		2H=2@10" CTC		
		4H=4@4"x6.75" CTC		
		4@7"x10" CTC		



R10-4

SF-1022-

Size	-	Arrow	-	3/8" Mtg Holes	-	PNC
12=9"x12"		R= RightArrow		Blank=None		
		L= Left Arrow		2H=2@10" CTC		
		D=Double Arrow		4H=4@7"x10" CTC		



R10-3a

SF-1006-

Size	-	Arrow	-	3/8" Mtg Holes	-	PNC
15=9"x15"		R= Right Man/Arrow		Blank=None		
		L= Left Man/Arrow		2H=2@13" CTC		
				4H=4@7"x13" CTC		



R10-4a

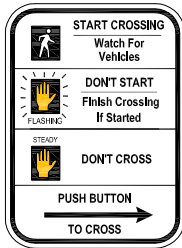
SF-1027-

Size	-	Arrow	-	3/8" Mtg Holes	-	PNC
15=9"x15"		R= Right Man/Arrow		Blank=None		
		L= Left Man/Arrow		2H=2@13" CTC		
				4H=4@7"x13" CTC		

Note: 1. Standard signs are .063" aluminum with reflective vinyl that complies with ASTM D4956 Type I.
2. MUTCD compliant signs refer to 2009 MUTCD as set by FHWA.



Pedestrian Signs MUTCD Compliant



R10-3b

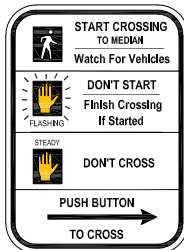
SF-1060- Size - Arrow - 3/8" Mtg Holes - PNC
 7=5" x 7-3/4" R= Right Man/Arrow Blank=None
 12=9"x12" L= Left Man/Arrow 2H=2@6.25" CTC
 2H=2@10" CTC
 4H=4@4"x6.75" CTC
 4@7"x10" CTC

Note: 5" x 7-3/4" size is non-compliant with MUTCD standards.



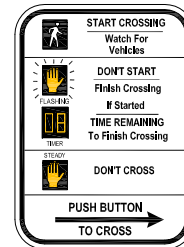
R10-3c

SF-1084- Size - Arrow - 3/8" Mtg Holes - PNC
 12=9"x12" R= Right Arrow Blank=None
 L= Left Arrow 2H=2@10" CTC
 4H=4@7"x10" CTC



R10-3d

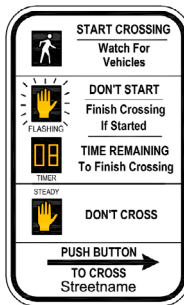
SF-1087- Size - Arrow - 3/8" Mtg Holes - PNC
 12=9" x 12" R= Right Arrow Blank=None
 L= Left Arrow 2H=2@10" CTC
 D= Double Arrow 4H=4@7"x10" CTC



R10-3e

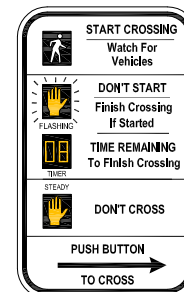
SF-1065- Size - Arrow - 3/8" Mtg Holes - PNC
 7=5" x 7-3/4" R= Right Arrow Blank=None
 12=9" x 12" L= Left Arrow 2H=2@6.25" CTC
 D= Double Arrow 2H=2@10" CTC
 4H=4@4"x6.75" CTC
 4@7"x10" CTC

Note: 5" x 7-3/4" size is non-compliant with MUTCD standards.



R10-3i

SF-1100- Size - Arrow - 3/8" Mtg Holes - Streetname - PNC
 15=9" x 15" R= Right Arrow Blank=None Specify
 L= Left Arrow 2H=2@13" CTC Street Name
 D= Double Arrow 4H=4@7"x13" CTC Required



R10-3e

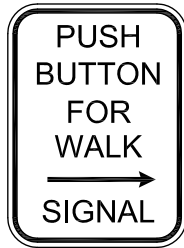
SF-1074- Size - Arrow - 3/8" Mtg Holes - PNC
 15=9"x15" R= Right Arrow Blank=None
 L= Left Arrow 2H=2@13" CTC
 D= Double Arrow 4H=4@7"x13" CTC

Note: For double sided R10-3e sign order SF-1099.

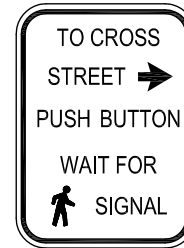
Note: 1. Standard signs are .063" aluminum with reflective vinyl that complies with ASTM D4956 Type I.
 2. MUTCD compliant signs refer to 2009 MUTCD Standards as set by FHWA.



Pedestrian Signs Custom



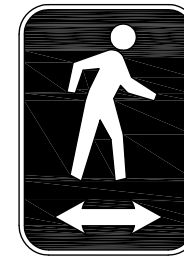
SF-1002- - - - PNC
 Size: 7=5" x 7-3/4" / 12=9" x 12"
 Arrow: R= Right Arrow / L= Left Arrow / D= Double Arrow
 3/8" Mtg Holes: Blank=None / 2H=2@6.25" CTC / 2H=2@10" CTC / 4H=4@4"x6.75"CTC / 4@7"x10" CTC



SF-1010- - - - PNC
 Size: 12=9" x 12"
 Arrow: R= Right Man/Arrow / L= Left Man/Arrow
 3/8" Mtg Holes: Blank=None / 2H=2@10" CTC / 4H=4@7"x10" CTC



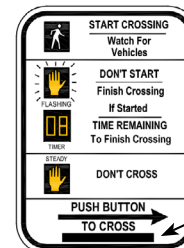
SF-1018- - - - PNC
 Size: 7=5" x 7-3/4" / 12=9" x 12"
 Arrow: Blank= None / R= Right Arrow / L= Left Arrow / D= Double Arrow
 3/8" Mtg Holes: Blank=None / 2H=2@6.25" CTC / 2H=2@10" CTC / 4H=4@4"x6.75"CTC / 4@7"x10" CTC



SF-1031- - - - PNC
 Size: 7=5" x 7-3/4" / 12=9" x 12"
 Arrow: R= Right Man/Arrow / L= Left Man/Arrow / D= Right Man/Double Arrow
 3/8" Mtg Holes: Blank=None / 2H=2@6.25" CTC / 2H=2@10" CTC / 4H=4@4"x6.75"CTC / 4@7"x10" CTC



SF-1008- - - PNC
 Size: 12=9"x12"
 3/8" Mtg Holes: Blank=None / 2H=2@10" CTC / 4H=4@7"x10" CTC



SF-8065- - - - PNC
 Size: 7=5" x 7-3/4" / 12=9" x 12" / 15=9" x 15"
 Arrow: B=Blank / R= Right Arrow / L= Left Arrow / D= Double Arrow
 3/8" Mtg Holes: Blank=None / 2H=2@6.25" CTC / 2@10" CTC / 2@13" CTC / 4H=4@4"x6.75"CTC / 4@7"x10" CTC / 4@7"x13" CTC

Braille:
Push Button to Cross

Note: 1. Standard signs are .063" aluminum with reflective vinyl that complies with ASTM D4956 Type I.
 2. Custom signs are non-compliant with MUTCD standards. Additional custom signs are available upon request.



This page is intentionally left blank.

PUSH BUTTONS

