

3-PART SPECIFICATION

BICYCLE PARKING RACKS

DIVISION 12 - FURNISHINGS
12 93 00 Site Furnishings
12 93 13 Bicycle Racks

INVERTED "U/2" U-STYLE RACKS

These specifications were current at the time of publication, but are subject to change at any time without notice. Pleaser confirm the accuracy of these specifications with the manufacturer and/or distributor prior to installation.

Part 1 General

1.1 SECTION INCLUDES

- A. U/2 Round and Square Tubular Steel or Stainless Steel Inverted U-Shaped bicycle racks for surface, ground or rail mounting.
 - 1. Parking per unit: Two (2) Bicycles

1.2 SUBMITTALS FOR REVIEW

- A. Product Data: For each type of product indicated.
- B. Samples: For each type of finish indicated
- C. Product Layout Drawings: For layout options and site dimensions.

1.3 SUBMITTALS FOR INFORMATION

- A. Manufacturer information: "Installation Guide and Owner's Manual - U/2 Racks".
- B. Maintenance Data: Included in Owner's Manual
- C. Samples for Verification: Cross Sections of finished rack.
- D. LEED Qualified Credits:

CATEGORY	SUB CATEGORY	CREDIT
Sustainable Sites	Alternative Transportation - Bicycle Commuting	SS Credit 4
Sustainable Sites	Alternative Transportation - Bicycle Storage	SS Credit 4.2

Materials & Resources	Sustainable Purchasing - Durable Goods & Furniture	MR Credit 2.2
Materials & Resources	Sustainably Sourced Materials & Products	MR Credit 3
Materials & Resources	Recycled Content	MR Credit 4
Materials & Resources	Regional Materials	MR Credit 5
Innovation in Design	Innovation in Design Process	ID Credit 1
Neighborhood Pattern & Design	Walkable Streets	NPD Credit 1
Neighborhood Pattern & Design	Reduced Parking Footprint	NPD Credit 5
Neighborhood Pattern & Design	Transit facilities	NPD Credit 7
Neighborhood Pattern & Design	Transportation Demand Management	NPD Credit 8

1.4 QUALITY ASSURANCE

- A. Products: Manufactured to ISO 9000 or ISO 14000 requirements.
- B. Manufacturer Qualifications A company specialized in the manufacture rolled steel tubing and welding.
- C. Conformance: Conform to Class III Bicycle Parking Facilities requirements.

1.5 DELIVERY, STORAGE AND HANDLING

- A. Inspect bicycle racks on delivery for carrier damage. Store bicycle racks in original undamaged packaging in an area sheltered from weather until ready for installation. Inspect bicycle racks prior to setup and installation.

1.6 WARRANTY

- A. Warranty covers materials and workmanship
- B. Warranty Period:
 - 1. One (1) year from date of invoice for all manufacturer's components.
- C. Warranty does not cover improper installation, neglect, misuse, accidents, vandalism, natural disasters, fire, or acts of war or terrorism.

Part 2 Products

2.1 DESIGN CRITERIA & CONSTRUCTION

- A. Class III Bicycle Parking - Light security for short-term visitor parking. Class III, when used alone, is the least secure method of storing bicycles. The rack must be constructed of steel pipe or tubing, round or square, and securely anchored to an immovable level surface. The rack must provide support for the bicycle frame by holding it upright and allowing at least two points of contact for locating a cable or U-shaped lock. Racks that locate the bicycle solely by one wheel may cause damage to the rim and are not recommended.
- B. U/2 Round: 1.90" OD Round Steel or Stainless Steel Pipe
 - 1. Material: 1.5" ASTM A53 Type F Schedule 40 Black Pipe or ASTM A312 Schedule 40 Type 304 Stainless Steel Pipe.
 - 2. Construction: Rolled 180 degree 10.1 inch IR bend x 35-3/4 inches high.
 - 3. Mounts: Surface, Ground and Rail mountings
 - a. Surface Mounting is accomplished with 3/8 inch x 2-1/2 inch x 6-1/2 inch welded base plates.
 - b. Ground Mounting is accomplished by extending the pipe legs by 12 inches for 47-3/4 inch height and seep holes at bottom of legs.
 - c. Rail Mounting is accomplished with two (2) C3 x 4.1# structural steel punched channels .
- C. U/2 Square: 2.00" OD Square Steel or Stainless Steel Tubing
 - 1. Material: 2.0" Square x .120 Wall ASTM A513 Welded Steel Tubing or 2" Square x .120 Wall ASTM A554 Type 304 Stainless Steel Tubing.
 - 2. Construction: Rolled 180 degree 10.1 inch IR bend x 35-3/4 inches high.
 - 3. Mounts: Surface, Ground and Rail mountings
 - a. Surface Mounting is accomplished with 3/8 inch x 2-1/2 inch x 6-1/2 inch welded base plates.
 - b. Ground Mounting is accomplished by extending the pipe legs by 12 inches for 47-3/4 inch height.
and seep holes at bottom of legs.
 - c. Rail Mounting is accomplished with two (2) C3 x 4.1# structural steel punched channels.

2.2 BICYCLE U/2 RACKS DESCRIPTION

- A. Series: CycleSafe U/2 Racks
- B. Models:

U-Rack Drawing Number Breakdown

U-RACK DESCRIPTIONS		STANDARD STEEL		STAINLESS STEEL		RAIL MOUNTS	
STYLE	NAME	GROUND	SURFACE	GROUND	SURFACE	CHANNEL	STRUT
CLASSIC	STANDARD	12706	12729	12714	12715	12775	
	STANDARD - BRACED	12708	12705	12718	12719	12779	
	PLASTISOL	12707	12700	N/A	N/A	12751	12748
	PLASTISOL - BRACED	12727	12728	N/A	N/A	12760	12747
MODERN	BELTWAY	12116	12145				
	BOARDWALK	12113	12138				
	CENTERLINE	12115	12143				
	METROLINE	12117	12146				
	PATHWAY	12709	12144				
	RAILWAY	12114	12139				
	SUBWAY	12118	12147				
	TRAILWAY	12710	12136				
TRICYCLE	12112	12137					
VINTAGE	BRETON	12119	12133				
	BRIDGE	12104	12142				
	CASCADE	12106	12160				
	FULTON	12109	12190				
	GREENWICH	12103	12141				
	LAFAYETTE	12105	12150				
	MADISON	12711	12130				
	MONROE	12110	12192				
	PARIS	12111	12193				
	PEARL	12108	12180				
	PLYMOUTH	12713	12140				
	RAPID	12175	12170				
WEALTHY	12231	12131					
CUSTOM	INSIGNIA	12712	12132				
	RAPIDS	12107	12121				

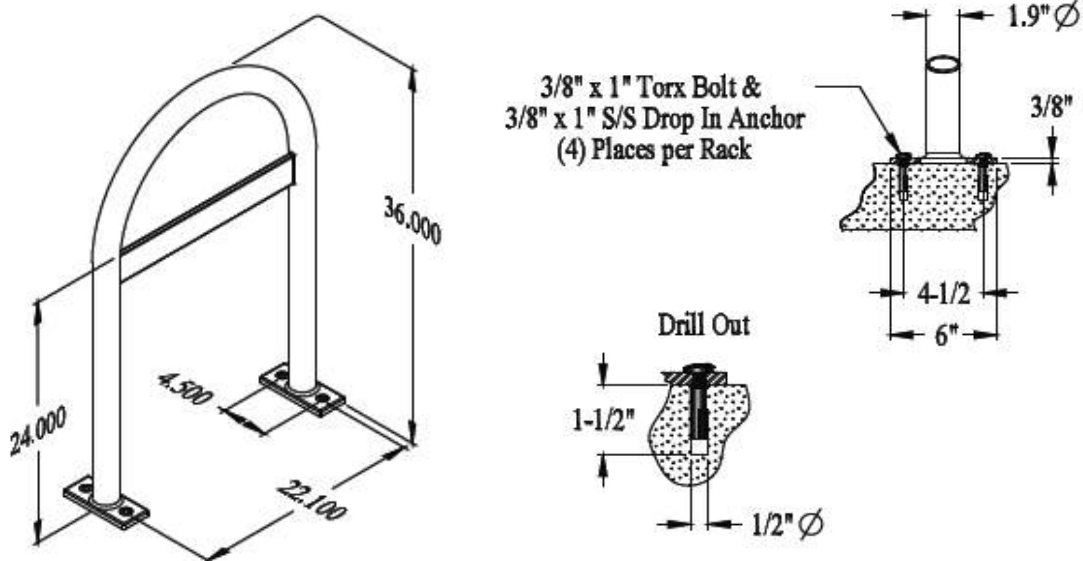
2.3 FINISHES

- A. TGIC 6 mils thick Powder Coating over zinc primer coating.
- B. Plastisol 100 mils+ thick over zinc primer coated steel tubing.
- C. Satin #4 finish for Stainless Steel.
- D. Rack Color: ["Traffic Black"; manufacturer standard locker color.]
 [_____ optional color.] and custom colors also available.

Part 3 Execution

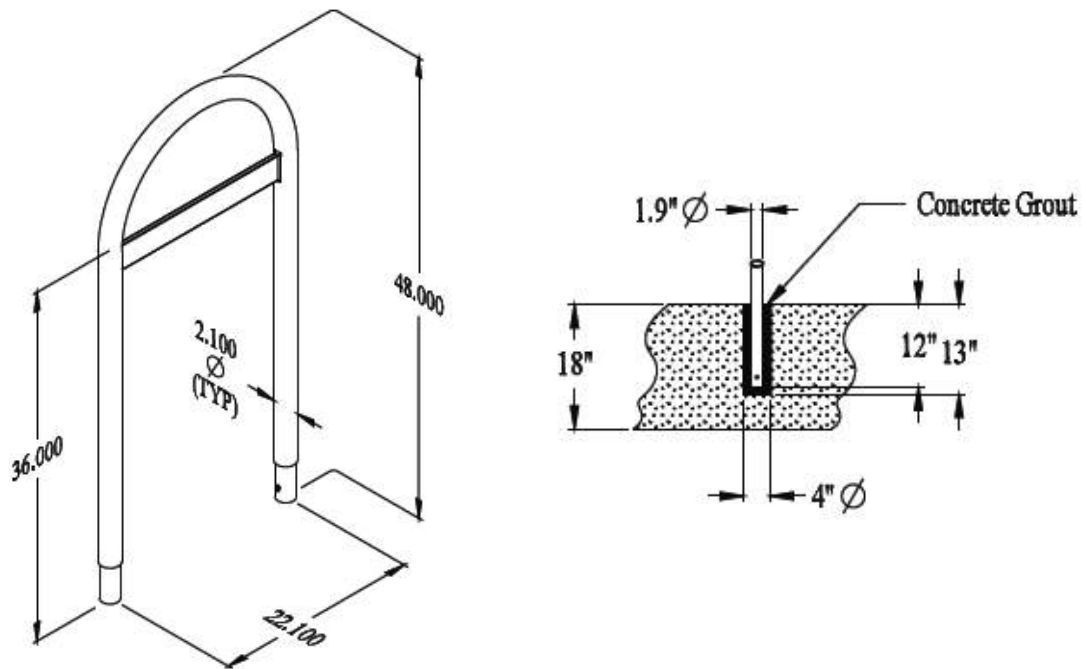
3.1 INSTALLATION

- A. Where installation on concrete is specified, install racks on minimum 4 inch thick concrete slabs, sloped to provide drainage (maximum 2 degrees). For other improved surfaces, such as pavers or asphalt, contact the Manufacturer for alternate installation procedures.
- B. Surface Mount:
1. Determine desired placement of all bike racks before drilling any holes, avoiding concrete expansion joints. (Recommended spacing is 36-inch centers).
 2. Using predetermined center lines from previous step, mark (4) hole locations for drilling using rack flange as template. Using the 1/2 inch drill bit, drill holes in the concrete minimum of 1-1/2 inches deep. Do not damage the rack pipe surface or flange with the hammer drill or drill bit. Clean out the hole using a blow-out bulb, vacuum, or compressed air. Do not use water. It is very important to clean out the hole to ensure correct holding of the anchor.
 3. Insert concrete adhesive into the hole. Drop the anchor in the hole. Insert the set tool (Part #12723) into each anchor. Using a hammer, pound the set tool until the shoulder reaches the lip of the anchor. This will assure proper anchor expansion. Let the concrete adhesive cure according to manufacturer instructions before mounting the U-Rack.
 4. Place rack over anchors. Place flat washer on security screw and thread into the anchor using the Torx bit (Part #12721 - provided). Wrench until flush with the flange plate. Check the installation to make sure it is tight to the concrete.
 5. Dispose of packaging.



C. In-Ground Mount:

1. Determine desired placement of all bike racks before drilling any holes, avoiding concrete expansion joints. (Recommended spacing is 36-inch centers). Using the predetermined center lines mark (4) hole locations.
2. Existing concrete surface may be core drilled with a 3 inch or 4 inch hole saw and filled with Quikcrete or a construction adhesive.
3. If installing on existing concrete, CycleSafe® U/2 Bike Racks can also be anchored with a non-shrink grout poured into a 4 inch or 6 inch diameter by 12 inch deep core drilled holes.
4. New improved concrete surfaces 9 inch Sonotube forms can be put in place to create 18 inch footings. This is the standard for new construction and the most secure type for inverted U-Racks.

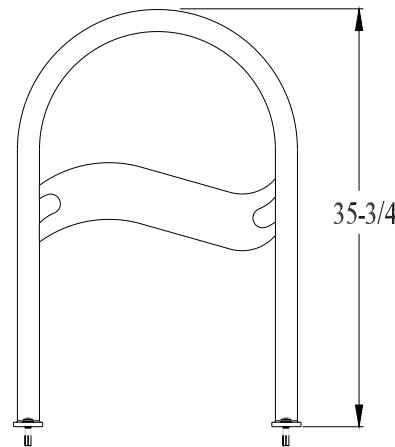
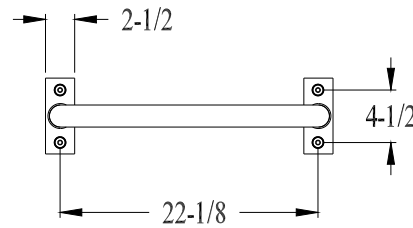


D. Rail Mount:

1. The CycleSafe Rail-Mount inverted-U modular design can be placed in areas where permanent anchoring is not desired such as asphalt and gravel.
2. Simply use the (2) 6 foot C-Rails and place racks on top,
3. Secure with supplied tamper resistant hardware, 1/2-13NC" x 1 inch" full thread stainless steel carriage bolts and zinc plated whiz-nuts.

END OF SECTION

U-RACK DESCRIPTIONS		
STYLE	NAME	SURFACE
CLASSIC	STANDARD	12729
	STANDARD - BRACED	12705
	PLASTISOL	12700
	PLASTISOL - BRACED	12728
MODERN	BELTWAY	12145
	BOARDWALK	12138
	CENTERLINE	12143
	METROLINE	12146
	PATHWAY	12144
	RAILWAY	12139
	SUBWAY	12147
	TRAILWAY	12136
VINTAGE	TRICYCLE	12137
	BRETON	12133
	BRIDGE	12142
	CASCADE	12160
	FULTON	12190
	GREENWICH	12141
	LAFAYETTE	12150
	MADISON	12130
	MONROE	12192
	PARIS	12193
	PEARL	12180
	PLYMOUTH	12140
	RAPID	12170
	WEALTHY	12131
CUSTOM	INSIGNIA	12132
	RAPIDS	12121

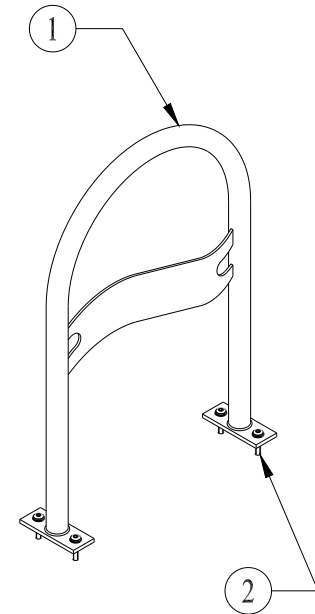


{RAPIDS} #12121
{SHOWN}

ITEM	QTY	DESCRIPTION	MATERIAL
1	1	U-RACK {SURFACE} MOUNT WELDMENT	SEE CHART
2	1	ANCHOR BOLT "G" KIT {SEE NOTE #3}	12716

NOTES:

1. ALL MATERIALS MUST BE CLEAN AND FREE OF MILL LUBRICATION
2. ANY BLEMISHES OR RUST WILL NOT BE ALLOWED ON COMPLETED PRODUCTS
3. ITEM #2 - ANCHOR BOLTS USED IN {SURFACE} MOUNT TO CONCRETE ONLY (NOT USED IN RAIL MOUNT)



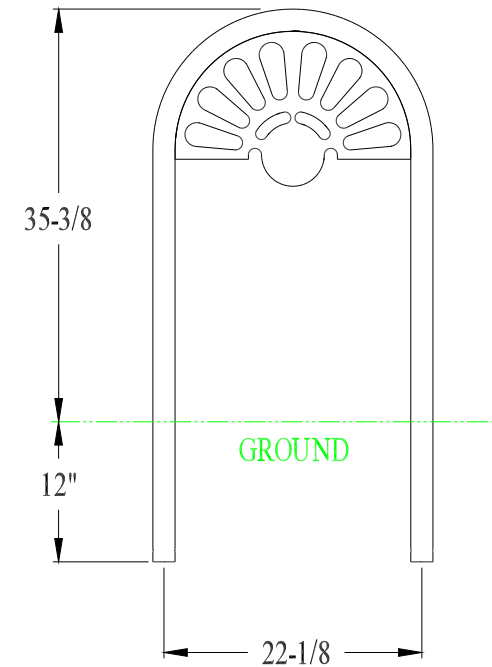
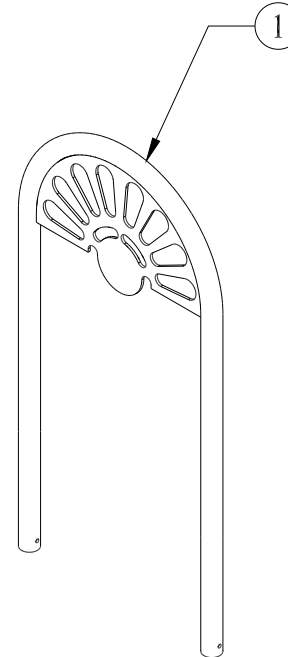
SHEET 1 OF 1		B	REVISED CHART & NOTES	06/06/13
		A	RELEASE FOR PRODUCTION	01/09/12
REV	DESCRIPTION	ECN #	DATE	
TOLERANCES UNLESS OTHERWISE SPECIFIED: +/-		U-RACK {SURFACE} MOUNT		
.X .030		Cycle Safe 5211 CASCADE ROAD - SUITE 210 GRAND RAPIDS, MI 49546 www.cyclesafe.com		
.XX .010				
.XXX .005				
ANGLE 1/2°				
		RACK ASSEMBLY		12129

ITEM	QTY	DESCRIPTION	REFERENCE
1	1	U-RACK {SURFACE} MOUNT WELDMENT	SEE CHART

U-RACK DESCRIPTIONS		
STYLE	NAME	GROUND
CLASSIC	STANDARD	12706
	STANDARD - BRACED	12708
	PLASTISOL	12707
	PLASTISOL - BRACED	12727
MODERN	BELTWAY	12116
	BOARDWALK	12113
	CENTERLINE	12115
	METROLINE	12117
	PATHWAY	12709
	RAILWAY	12114
	SUBWAY	12118
	TRAILWAY	12710
	TRICYCLE	12112
VINTAGE	BRETON	12119
	BRIDGE	12104
	CASCADE	12106
	FULTON	12109
	GREENWICH	12103
	LAFAYETTE	12105
	MADISON	12711
	MONROE	12110
	PARIS	12111
	PEARL	12108
	PLYMOUTH	12713
	RAPID	12175
	WEALTHY	12231
	CUSTOM	INSIGNIA
RAPIDS		12107

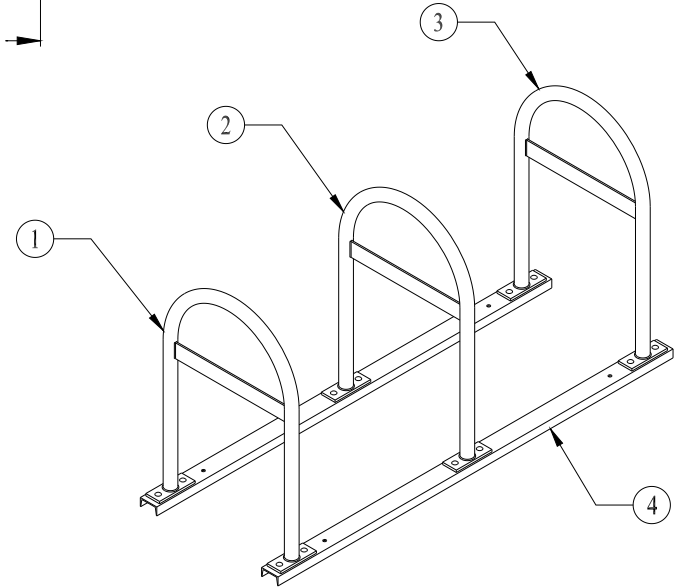
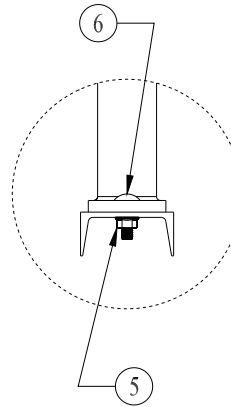
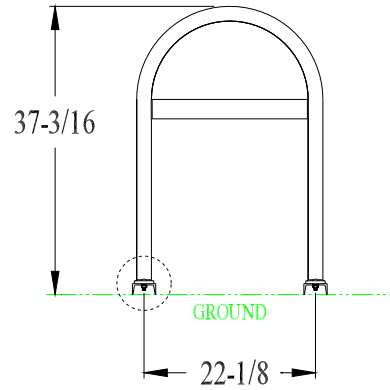
NOTES:

1. ALL MATERIALS MUST BE CLEAN AND FREE OF MILL LUBRICATION
2. ANY BLEMISHES OR RUST WILL NOT BE ALLOWED ON COMPLETED PRODUCTS



SHEET 1 OF 1		A RELEASE FOR PRODUCTION		04/2013	
REV	DESCRIPTION	ECN #	DATE		
TOLERANCES UNLESS OTHERWISE SPECIFIED:			U-RACK {GROUND} MOUNT		
+/-			Cycle Safe 5211 CASCADE ROAD - SUITE 210 GRAND RAPIDS, MI 49546 www.cyclesafe.com		
.X	.030	BOB SLYH	05/22/13		
.XX	.010	CHECKED	DATE		
.XXX	.005	APPROVED	DATE		
ANGLE	1/2°	RACK ASSEMBLY		12220	A

U-RACK DESCRIPTIONS		
STYLE	NAME	SURFACE
CLASSIC	STANDARD	12729
	STANDARD - BRACED	12705
	PLASTISOL	12700
	PLASTISOL - BRACED	12728
MODERN	BELTWAY	12145
	BOARDWALK	12138
	CENTERLINE	12143
	METROLINE	12146
	PATHWAY	12144
	RAILWAY	12139
	SUBWAY	12147
	TRAILWAY	12136
	TRICYCLE	12137
VINTAGE	BRETON	12133
	BRIDGE	12142
	CASCADE	12160
	FULTON	12190
	GREENWICH	12141
	LAFAYETTE	12150
	MADISON	12130
	MONROE	12192
	PARIS	12193
	PEARL	12180
	PLYMOUTH	12140
	RAPID	12170
	WEALTHY	12131
	CUSTOM	INSIGNIA
RAPIDS		12121



ITEM	QTY	DESCRIPTION	REFERENCE
1	1	U-RACK (SURFACE) MOUNT WELDMENT	SEE CHART
2	1	U-RACK (SURFACE) MOUNT WELDMENT	SEE CHART
3	1	U-RACK (SURFACE) MOUNT WELDMENT	SEE CHART
4	2	U-RACK (RAIL) C3 STRUCTURAL CHANNEL	12752
5	12	3/8-16NC x 1-1/2" LG. S/S CARRIAGE BOLT	12695
6	12	3/8-16NC S/S WHIZ-NUT	12688

NOTES:

1. ALL MATERIALS MUST BE CLEAN AND FREE OF MILL LUBRICATION
2. ANY BLEMISHES OR RUST WILL NOT BE ALLOWED ON COMPLETED PRODUCTS
3. LAG ANCHORS AVAILABLE PER CUSTOMER REQUEST (DEPENDS ON MOUNTING SURFACE)

SHEET 1 OF 1	A	RELEASE FOR PRODUCTION	05/20/13
	REV	DESCRIPTION	DATE
	U-RACK (RAIL) MOUNT		
	TOLERANCES UNLESS OTHERWISE SPECIFIED: +/-		
.X	.030	BOB SLYH	05/20/13
.XX	.010	CHECKED	DATE
.XXX	.005	APPROVED	DATE
ANGLE	1/2°		
CORRAL ASSEMBLY		12690	REV A

Cycle Safe
 5211 CASCADE ROAD - SUITE 210
 GRAND RAPIDS, MI 49546
 www.cyclesafe.com