

# IPMI – A Gentle Introduction with OpenIPMI

Corey Minyard <[minyard@acm.org](mailto:minyard@acm.org)>  
Montavista Software

February 10, 2006



# Preface

This document describes IPMI in great detail; how it works and what it does and does not do. It starts from the basics and moves into details. If you've heard about IPMI and want to find out more, this is the document for you. If you know something about IPMI but wish to find out more, you can gloss over the introductory text and dive more into the details.

This document also describes OpenIPMI and how to use that library. A basic understanding of IPMI is required to use OpenIPMI. However, OpenIPMI hides the details of IPMI like messages and data formats; if you do not care about those things you can skip those sections.

IPMI stands for Intelligent Platform Management Interface. Not a great name, but not too bad. It is intelligent (in a manner of speaking, anyway) because it requires a processor besides the main processor that is always on and maintaining the system. In most systems with IPMI, you can monitor and maintain the system even when the main processor is turned off (though the system must generally be plugged in).

Platform means that IPMI deals with the platform, not the software running on the platform. Software management is mostly out of the scope of IPMI

Management Interface means that the management system uses IPMI to talk to the system to monitor and perform maintenance on the platform. IPMI is mostly about monitoring, though it does have a few minor management functions. However, many companies and organizations have built more extensive management control using OEM extensions to IPMI.

The IPMI specification[2], of course, has the details, but they can be obscure. This document hopefully provides an easier to understand introduction to IPMI.



# Contents

<b>Preface</b>	<b>i</b>
<b>Acronyms</b>	<b>ix</b>
<b>1 Management, Systems, and IPMI</b>	<b>1</b>
1.1 IPMI Implementation . . . . .	1
1.2 System Types . . . . .	4
<b>2 OpenIPMI</b>	<b>9</b>
2.1 The User View . . . . .	9
2.2 OpenIPMI Concepts . . . . .	10
2.2.1 Event-Driven Systems . . . . .	10
2.2.2 The OS Handler . . . . .	12
2.2.3 Error Handling . . . . .	14
2.2.4 Locking . . . . .	14
2.2.5 OpenIPMI Objects . . . . .	18
2.2.6 Callbacks . . . . .	20
2.3 OpenIPMI Include Files . . . . .	21
2.3.1 Files the normal user deals with . . . . .	22
2.3.2 Files dealing with messaging interfaces . . . . .	22
2.3.3 File for system configuration . . . . .	22
2.3.4 Semi-internal includes . . . . .	22
2.4 Starting Up OpenIPMI . . . . .	23
2.5 Creating OpenIPMI Domains . . . . .	23
2.5.1 Domain Connections . . . . .	23
2.5.2 Domain Fully Up . . . . .	24
2.5.3 Domain Options . . . . .	24
<b>3 IPMI Interfaces</b>	<b>27</b>
3.1 OpenIPMI Generic Interface . . . . .	27
3.2 System Interfaces . . . . .	27
3.2.1 Server Management Interface Chip (SMIC) . . . . .	28
3.2.2 Keyboard Style Controller (KCS) . . . . .	28
3.2.3 Block Transfer (BT) . . . . .	28

3.2.4	SMBus System InterFace (SSIF)	28
3.2.5	The OpenIPMI Driver	28
3.2.6	The OpenIPMI System Interface	34
3.3	Channels	34
3.4	Bridging	35
3.4.1	Channels	35
3.4.2	Sending Bridged Message	37
3.4.3	Message Tracking	38
3.4.4	Receiving Asynchronous Messages on the System Interface	38
3.4.5	System Interface to IPMB Bridging	39
3.4.6	LAN to IPMB Bridging	39
3.4.7	System Interface to LAN	44
3.5	IPMB	44
3.5.1	IPMB Broadcast	44
3.5.2	OpenIPMI and IPMB	45
3.6	ICMB	45
3.7	SMBus	45
3.8	Session Support	45
3.9	LAN	45
3.9.1	LAN Configuration	45
3.9.2	ARP control	51
3.9.3	LAN Messaging	51
3.9.4	OpenIPMI LAN Configuration	51
3.9.5	The OpenIPMI LAN Interface	52
3.10	Serial	53
3.10.1	Serial Configuration	54
3.10.2	Direct Serial	54
3.10.3	Terminal Mode	54
3.10.4	Serial over PPP	54
3.11	User Management	54
3.11.1	User management in OpenIPMI	55
3.11.2	User management commands	56
3.12	Channel Configuration	59
3.12.1	Channel handling in OpenIPMI	60
3.12.2	Channel handling commands	63
3.12.3	Channel Authentication	65
3.13	The PEF Table and SNMP Traps	65
3.13.1	PEF and Alerting Commands	65
3.13.2	The PEF Postpone Timer	67
3.13.3	PEF Configuration Parameters	67
3.13.4	OpenIPMI and SNMP Traps	76
3.13.5	The Alert Immediate Command	78
3.14	OpenIPMI Addressing	78

<b>4</b>	<b>The MC</b>	<b>81</b>
4.1	OpenIPMI and MCs . . . . .	81
4.1.1	Discovering MCs . . . . .	81
4.1.2	MC Active . . . . .	82
4.1.3	MC Information . . . . .	82
4.1.4	MC Reset . . . . .	83
4.1.5	Global Event Enables . . . . .	84
<b>5</b>	<b>IPMI Commands</b>	<b>85</b>
5.1	Sending Commands in the OpenIPMI Library . . . . .	88
<b>6</b>	<b>SDR Repositories</b>	<b>89</b>
6.1	SDR Reservations . . . . .	89
6.2	The Main SDR Repository . . . . .	89
6.2.1	Modal and Non-Modal SDR Repositories . . . . .	89
6.2.2	Commands for Main SDR Repositories . . . . .	89
6.3	Device SDR Repositories . . . . .	89
6.3.1	Dynamic Device SDR Repositories . . . . .	90
6.3.2	Commands for Device SDR Repositories . . . . .	90
6.4	Records in an SDR Repository . . . . .	90
6.5	Dealing with SDR Repositories in OpenIPMI . . . . .	90
6.5.1	Getting an SDR Repository . . . . .	90
6.5.2	SDR Repository Information . . . . .	92
6.5.3	Handling a SDR Repository . . . . .	93
<b>7</b>	<b>Entities</b>	<b>95</b>
7.1	Discovering Entities . . . . .	97
7.2	Entity Containment and OpenIPMI . . . . .	98
7.3	Entity Presence . . . . .	99
7.3.1	Entity Presence in OpenIPMI . . . . .	99
7.4	Entity Types and Info . . . . .	100
7.5	Sensor and Controls in an Entity . . . . .	102
7.6	Entity Hot-Swap . . . . .	105
7.6.1	Hot-Swap State . . . . .	105
7.6.2	Hot-Swap Events . . . . .	106
7.6.3	Hot-Swap Activation and Deactivation . . . . .	108
7.6.4	Auto Activation and Deactivation . . . . .	109
7.7	FRU Data . . . . .	109
7.7.1	Reading FRU Data . . . . .	109
7.8	Entity SDRs . . . . .	114
<b>8</b>	<b>Sensors</b>	<b>115</b>
8.1	Sensor Events . . . . .	115
8.2	Rearm . . . . .	115
8.3	Threshold Sensors . . . . .	115
8.3.1	Threshold Sensor Events . . . . .	116

8.3.2	Hysteresis . . . . .	116
8.4	Discrete Sensors . . . . .	118
8.5	IPMI Commands Dealing with Sensors . . . . .	118
8.6	Using Sensors in OpenIPMI . . . . .	118
8.6.1	General Information About Sensors in OpenIPMI . . . . .	127
8.6.2	Threshold Sensors in OpenIPMI . . . . .	133
8.6.3	Discrete Sensors in OpenIPMI . . . . .	142
8.7	Sensor SDRs . . . . .	143
<b>9</b>	<b>Controls and Miscellany</b>	<b>145</b>
9.1	Controls . . . . .	145
9.1.1	Control Name . . . . .	146
9.1.2	Controls and Events . . . . .	147
9.1.3	Basic Type Controls . . . . .	147
9.1.4	Light . . . . .	148
9.1.5	Display . . . . .	151
9.1.6	Identifier . . . . .	151
9.1.7	Chassis Controls . . . . .	151
9.2	Watchdog Timer . . . . .	151
9.3	Direct I <sup>2</sup> C Access . . . . .	152
<b>10</b>	<b>Events</b>	<b>153</b>
10.1	Event Format . . . . .	153
10.2	Event Data Information for Specific Events . . . . .	153
10.3	MC Event Enables . . . . .	154
10.4	Coordinating Multiple Users of an SEL . . . . .	154
<b>11</b>	<b>Other OpenIPMI Concerns</b>	<b>155</b>
11.1	When Operations Happen . . . . .	155
<b>A</b>	<b>Special IPMI Formats</b>	<b>157</b>
A.1	IPMI strings . . . . .	157
A.1.1	OpenIPMI and IPMI strings . . . . .	157
<b>B</b>	<b>The Perl Interface</b>	<b>159</b>
<b>C</b>	<b>Comparison with SNMP</b>	<b>163</b>
<b>D</b>	<b>Comparison with HPI</b>	<b>165</b>
<b>E</b>	<b>ATCA</b>	<b>167</b>
<b>F</b>	<b>Motorola MXP</b>	<b>169</b>
<b>G</b>	<b>Intel Servers</b>	<b>171</b>
<b>H</b>	<b>Sample Program Showing Basic Operations</b>	<b>173</b>



<b>I</b>	<b>Sample Program Showing Event Setup</b>	<b>185</b>
<b>J</b>	<b>Command Receiver Program</b>	<b>201</b>
<b>K</b>	<b>Connection Handling Interface (ipmi_conn.h)</b>	<b>205</b>
<b>L</b>	<b>OS Handler Interface (os_handler.h)</b>	<b>217</b>



# Acronyms

**ATCA** AdvancedTCA

**IPMI** Intelligent Platform Management Interface

**OEM** Original Equipment Manufacturer

**SDR** Sensor Device Record

**FRU** Field Replacable Unit

**KCS** Keyboard Style Controller

**BT** Block Transfer

**SMIC** Server Management Interface Chip

**SSIF** SMBus System InterFace

**MC** Management Controller

**BMC** Baseboard Management Controller

**I<sup>2</sup>C** Inter Integrated Circuit

**SNMP** Simple Network Management Protocol

**SPD** Serial Presence Detect

**HPI** Hardware Platform Interface

**LUN** Logical Unit Number

**NetFN** Network FuNction

**IPMB** Intelligent Platform Management Bus

**EEPROM** Electronically Erasable Programmable Read Only Memory

**LAN** Local Area Network

**SEL** System Event Log

**PPP** Point to Point Protocol

**RMCP** Remote Management Control Protocol

**IP** Internet Protocol

**UDP** User Datagram Protocol

**MD2** Message Digest 2

**MD5** Message Digest 5

**PDU** Protocol Data Unit In SNMP, this is a packet holding an SNMP operation.

**PEF** Platform Event Filter

**MAC** Media Access Code?

**ARP** Address Resolution Protocol

**GUID** Globally Unique Identifier

**NMI** Non Maskable Interrupt

**EAR** Entity Association Record

**DREAR** Device Relative Entity Association Record

**DLR** Device Locator Record

**MCDLR** Management Controller Device Locator Record

**FRUDLR** Field Replacable Unit Device Locator Record

**GDLR** Generic Device Locator Record

**ICMB** Intelligent Chassis Management Bus

**PET** Platform Event Trap

**DMI** ?

# Chapter 1

## Management, Systems, and IPMI

Management will mean different things to different industries. In simple server systems, a management system may only deal with controlling power on a few servers and making sure they don't get too hot. In a telecom system, management systems generally control every aspect of the system, including startup of all parts of the system, full monitoring of all components of the system, detection and recovery from software and hardware errors, basic configuration of the system, and a host of other things. IPMI obviously only plays one role in this, but it is a role that must be played. In the past, the monitoring and management of hardware has been done with lots of proprietary interfaces. IPMI standardizes this interface.

Figure 1.1 shows a management system and the things it manages. IPMI fits mostly within the “Hardware” box, although there may be other hardware interfaces the management system must manage. The management system ties into all elements of the system and makes global decisions based upon inputs from all parts of the systems. For instance, a server may be overheating or have a low voltage. The management system will be informed of this through the hardware interfaces. It may choose to move the function of that server to another server and bring that server down so it may be repaired. If no other server is available to take over the operation, the management system may look at the severity of the problem, predict how long the system may survive, and let it continue. These types of decisions are called “policy”.

In all cases these events are logged to permanent storage. An operator is informed of things that need human attention. The operator may also issue manual operations to configure and override the management system as necessary.

The operations the management system performs on the system are called “Commands” in this picture. Commands have “Responses” from the system. Asynchronous notifications from the system to the management system are called “Events”. The system never sends commands to the management system, and the system may perform local operations on its own (such as controlling fan speed) but never perform global operations unless pre-configured by the management system to do so. So the system may perform limited policy decisions, but the management system is firmly in control of policy.

### 1.1 IPMI Implementation

The Management Controller (MC) sits at the center of an IPMI system, providing the “intelligence” of IPMI. It is suppose to be always on when the system is plugged in, even if the system is off. The management system communicates with the management controller; the management controller provides a normalized

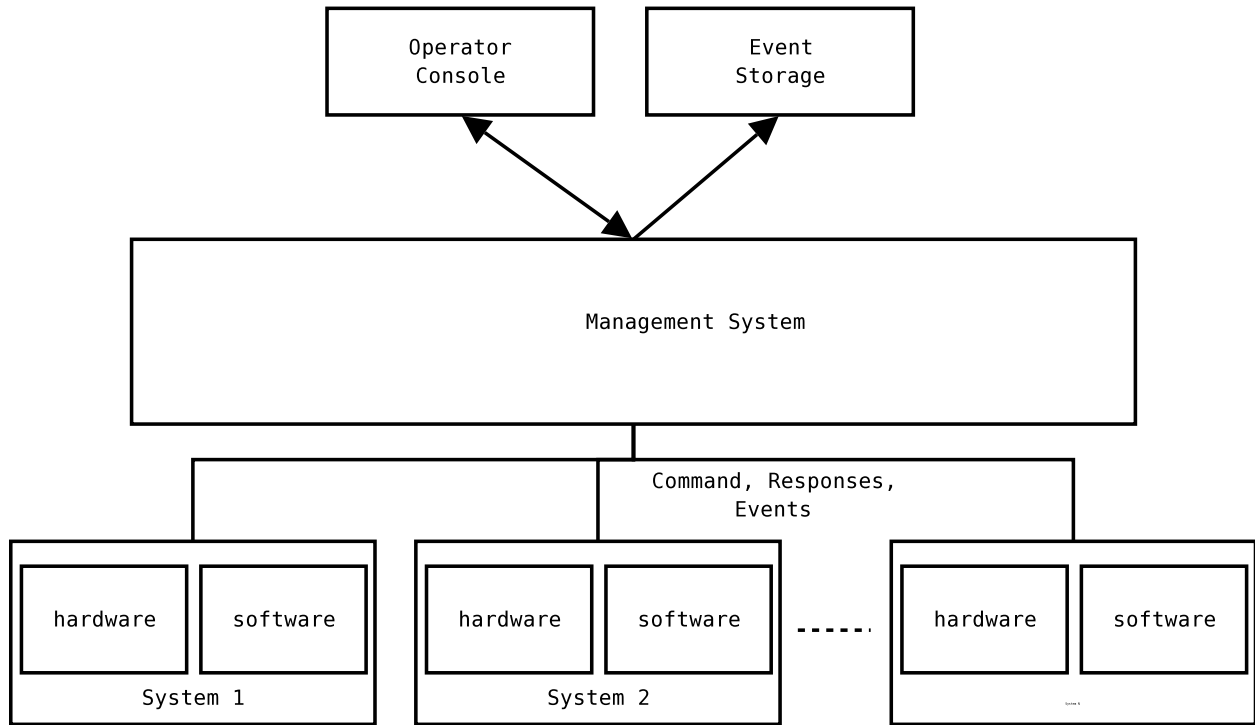


Figure 1.1: Management Interfaces

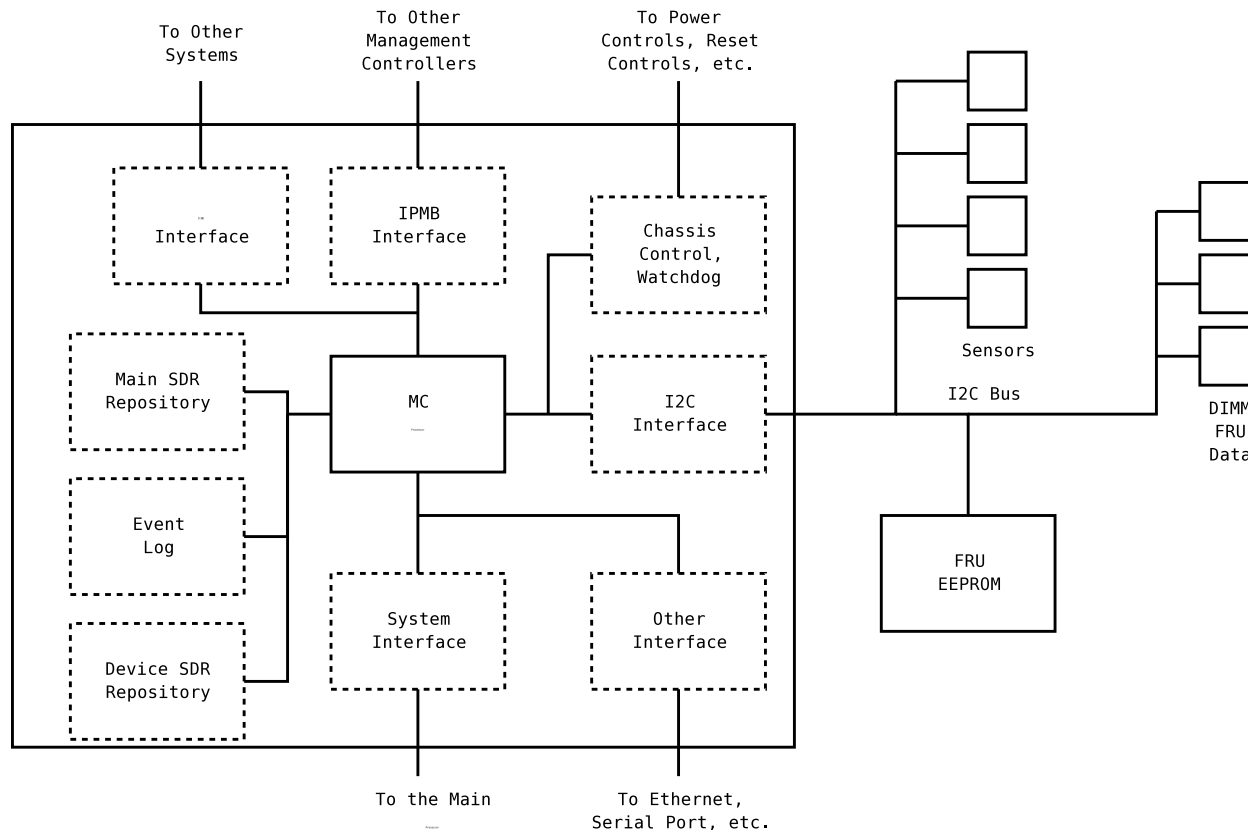


Figure 1.2: Parts of a Management Controller

interface to all the sensors, events, and Field Replacable Unit (FRU) data in the system.

Figure 1.2 shows the various parts of the management controller. Note that most everything is optional; depending on what a management controller does it may only need some things. The Baseboard Management Controller (BMC) is required to have a lot of the items.

The MC Processor is generally a small, inexpensive, but reliable microcontroller. Several companies sell processors that have a lot of the IPMI components already implemented and software to help a company implement IPMI on their system.

The system interface provides a way for the main processor to communicate with the management controller. Some systems do not have this connection and only use external interfaces and/or Intelligent Platform Management Bus (IPMB) interfaces. System interfaces include SMIC, KCS, and BT interfaces.

An MC (generally the BMC) may have other interfaces to an external management system through serial ports or Ethernet.

Generally, sensors sit on an I<sup>2</sup>C bus since many off-the-shelf sensors can sit directly on the bus with no extra logic. Wherever the sensors sit, the MC provides a more abstract interface to the sensors so that the management system does not have to know the details of how to talk to the sensor. Sensors may be traditional analog sensors like temperature and voltage. But they may report other things, too, like the

current BIOS state, whether a device is present or not, or other things like that.

FRU data is often stored in I<sup>2</sup>C EEPROMs on the I<sup>2</sup>C bus. FRU data is information about a Field Replaceable Unit. This includes things like the manufacturer, the serial number, date of manufacture, etc. A system generally has information about the chassis and information about each field replaceable unit it has. Field replaceable units may include power supplies, DIMMs (memory devices), plug-in-boards, or a host of other things.

Connections to other MCs may be done through an IPMB. On an IPMB, each MC is a peer and they communicate directly through messages.

In addition to IPMB, IPMI systems can be interconnected through an Intelligent Chassis Management Bus. This is a serial bus that runs between chassis.

A management controller may be able to control various aspects of the chassis, such as power and reset. It may also have a watchdog timer for the main processor.

The Sensor Device Record (SDR) repositories store information about the sensors and components of the system. The BMC must have a main SDR repository; this repository is writable. There may only be one main SDR repository in the system. Any MC may have a device SDR repository; these are a read-only repositories.

When a problem or change in the system is detected, the MC handling that sensor may issue an event. This allows management software to detect these problems or changes without having to poll every sensor constantly. The events are stored in an event log. Events may be forwarded through the system interface or other interfaces, but they are always stored in the event log. The BMC must have an event log; generally the other management controllers forward their events to the BMC.

## 1.2 System Types

Although any arbitrary type of system may use IPMI for platform management, systems generally fall into two categories: server systems and bus systems.

Figure 1.3 shows a typical server system. It is a single stand-alone box that is a single computer. It has a BMC that is the main management controller in the system. It controls a number of sensors. In this example, the power supply also has a MC with its own sensors.

A BMC can have several connections to managing systems. It may have a system interface connection to the main processor. It may share an interface to the ethernet chip so the system may be managed through the LAN when the main processor is not working. Systems can have serial port connections. They can even have connections to modems where they can dial up a management system or page an operator when they detect a problem, or be dialed into by a management system.

Figure 1.4 shows a typical bus system. The word “bus” is perhaps a bit misleading; these types of systems used to have busses (like CPCI and VME) but recently have tended to not have big busses and use networking for interconnect (like PICMG 2.16 and ATCA). These systems generally contain a number of processors on pluggable boards often called Single Board Computers (SBCs) or blades. One or more power supplies power the whole system. The boards and power supplies can be hot-pluggable.

These systems generally have one or two boards that manage the system; this can be on a standard SBC, on another special purpose blade (like a blade used as a network switch), or on a standalone board with this purpose. The shelf management controller(s) generally act as the BMC in the system; they will have the event log and the main SDRs in the system. A system with two shelf controllers will generally allow the system to be managed even if one of the shelf controllers fails.



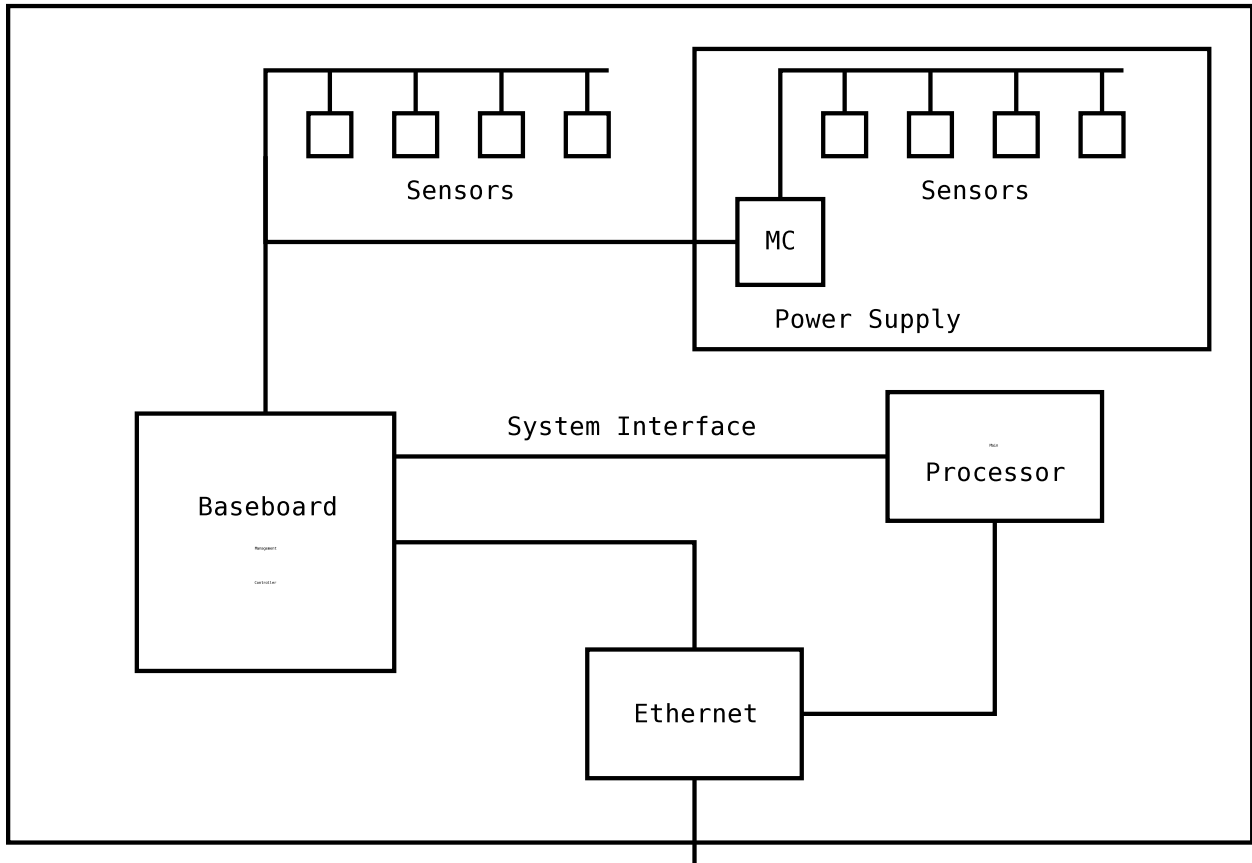


Figure 1.3: A typical server system

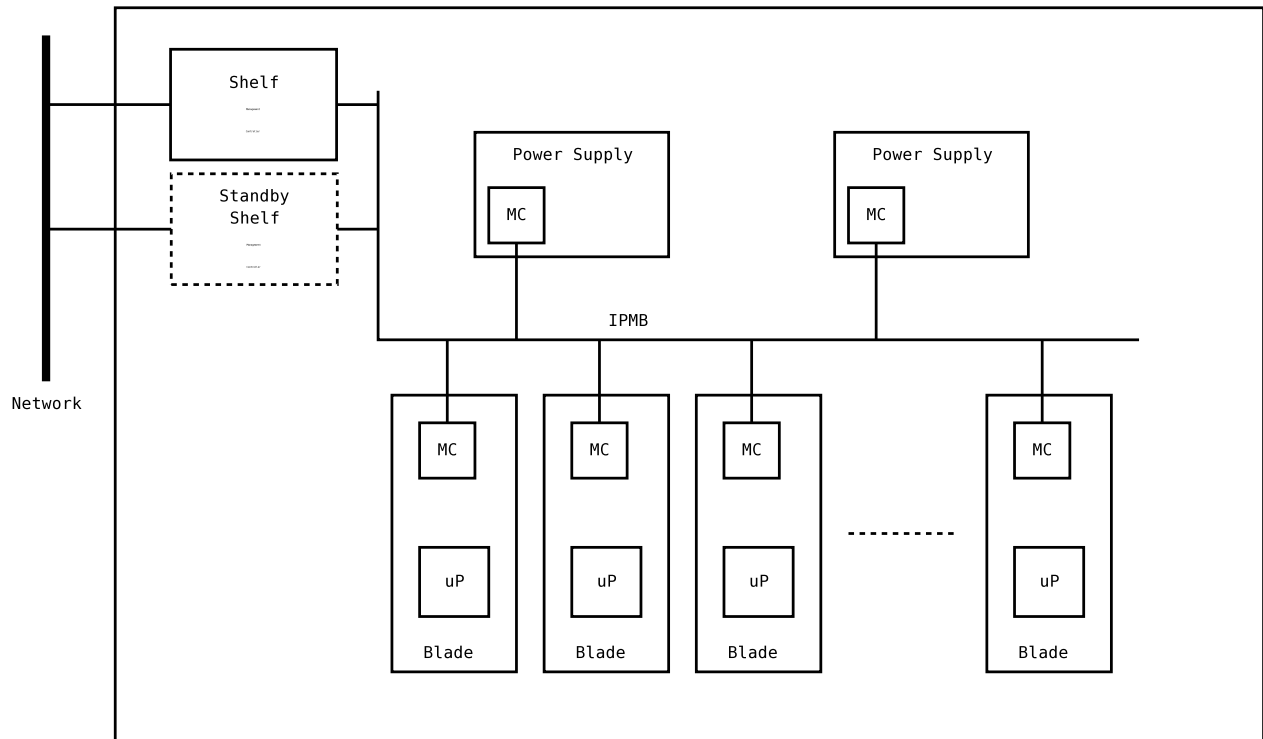


Figure 1.4: A typical bus system

Bus systems generally use one or more IPMBs (a sister standard to IPMI) to interconnect the various components for management. IPMB is a modified I<sup>2</sup>C interface; it provides for a somewhat slow but simple communication bus.

The boards can generally be individually power controlled, so even though a board is plugged into the system it may be turned off. The shelf management controller may implement some policy, such as fan controls or auto-powering up boards, but is generally used as a conduit for an external management system to control the parts of the system.

Individual SBCs vary on whether the local Management Controller is connected to the microprocessor on an SBC. Some are, and some aren't. This connection has some limited usefulness if the software on the SBC wishes to obtain local information from the IPMI system or store logs in the IPMI event log.

These types of systems are used to achieve high density in places with expensive real-estate, like a telco central office. As you might imagine, you can pack a lot of processing power into a small space with a system like this. Since they are generally designed for hot-swap, and can have I/O come out the back of the system on separate cards; it makes maintenance easier.



## Chapter 2

# OpenIPMI

So now we've got a BMC, MCs, and things like that. But how are you expected to use raw IPMI?

The first things you must do, of course, is connect to the BMC. If it's a direct SMI connection (A SMIC, KCS, or BT interface, or perhaps a non-standard serial interface), you just open the driver on the operating system and start messaging. If it's a LAN-type connection, you have to go through an authentication sequence. Once you have a connection to the BMC, things are pretty much the same no matter what interface you have. There are a few messaging for doing special controls on a LAN interface, but they don't generally matter to the user.

Once the connection to the BMC is up, the user should query to see what channels the BMC supports. For 1.5 and later, it gets this from a command. For 1.0, it gets it from the main SDR repository.

Once you are connected, you should scan the SDRs in the main SDR repository for any entities and sensors. Sensors and entities may also be in the device SDR repository, which should be scanned next. This allows the user to discover the sensors in the system. Note that the sensors may point to entities that don't have a entry in the SDR that defines them, those entities need to be handled when they are detected.

After this point in time, the interface could be deemed to be "up". However, there's still more to do.

If the interface supports an event queue, the user will have to poll it (if the driver doesn't deliver them asynchronously, that is). If the interface doesn't support an event queue the user should periodically scan the system event log for new events. (Note that even if it does support an event queue, the user should still poll the system event log in case the event queue missed any events coming in.)

Also, the user should start scanning the IPMB bus with broadcast get device id commands to detect any MCs on the bus.

This is what the OpenIPMI library does for you. Beyond this, it also represents the sensors, controls, and entities in a nice OO fashion, and it handles the details of addressing, message routing, and other things you don't really care about. It lets you get right at the sensors and entities.

### 2.1 The User View

A bunch of acronyms have just been introduced, along with a lot of vague concepts, and some description about how to use IPMI. The nice thing is that the user of OpenIPMI doesn't really have to know about all these things.

From the user's point of view, the entity provides the central framework for sensors and controls. Sensors monitor entities. Entities may be present or absent. When you connect to an interface, OpenIPMI takes care of detecting the entities in the system and reporting them to you. You may register to be told when entities are added or removed from the local database. Note that an entity may be in the SDRs but not physically present in the system; the reporting from only gives the existence in the SDRs, not physical presence in the system. Physical presence is handled through a separate interface.

The user must know about two other OpenIPMI concepts: connections and domains. A connection provides the interface to the IPMI system. In essence, it is the BMC connection. You must allocate one or more connections and create a domain with them. OpenIPMI supports multiple connections to a domain in some cases, but currently it requires some OEM support for this. A domain represents a set of devices on a bus (like IPMB) whose entities will be unique. For instance, a chassis with a lot of cards plugged could be a domain, each card could be an entity and then create its own sub-entities, but they will be designed so the entity IDs don't collide.

OpenIPMI will automatically manage the connections, activating and deactivating the proper connections (if the connections support that), detecting failures and switching over, etc.

Though the user doesn't have to know the inner details of IPMI addressing and messaging, they do need to know about entities and sensors. OpenIPMI mainly focuses on representing the entities and sensors in convenient ways. The user still needs to understand the capabilities of sensors, how the sensors advertise those capabilities, and the things that can be done to the sensors.

You may register with an entity to be told when its physical presence in the system changes. Some devices (like power supplies) are field-replaceable while the system is running; this type of device is called a hot-swappable FRU. They may have sensors that monitor them, but those sensors may not be active if the device is not physically present in the system.

Sensors and controls are also automatically detected and reported. This is done through entities; you register with an entity to be told when a sensor or control has been added or removed.

## 2.2 OpenIPMI Concepts

OpenIPMI is an event-driven library that is designed to be relatively operating system independent. If you have written control systems or things like that in the past, you will be quite familiar with event-driven systems and may skip to the next section. If not, you want to read this. Event-driven systems may seem a little unusual, but they are accepted practice and by far the best way to build control systems.

### 2.2.1 Event-Driven Systems

In an event-driven system, you never stop and wait for something to happen. If you are not used to this, you are probably used to writing code like this:

```
while (true) {
    wait_for_input();
    perform_op1();
    wait_for_op1_results();
    perform_op2();
}
```

This is fairly straightforward, but it has some problems. What if another more important input comes in while you are waiting for the results of `perform_op1()`? Now the program will have to handle input in `wait_for_op1_results()`, too, and somehow return and say something is happening. The loop will then have to somehow handle multiple operations in progress. And this is a simple example, what if there were hundreds of possible inputs, each with their own result handler, and each had to go through several states? You could assign each to a thread, but if you have thousands of possible pending operations in a system, that many threads may thrash your system and render it inoperable, probably right at the time you need it most (since a lot of things are going on).

In an event-driven system, instead you would say:

```
init()
{
    <initialize input_data>
    register_for_input(op1_handler, input_data);
}
op1_handler(input_data)
{
    <allocate and initialize op_data>
    perform_op1(..., op2_handler, op_data);
}
op2_handler(op_data)
{
    perform_op2();
    <free op_data>
}
```

As you see, when you start an operation, you provide the next thing to call when the operation completes. The functions passed around are called “callbacks”. You allocate and pass around chunks of data to be passed to the handlers. And you register input handlers that get called when certain event occurs. So the code runs in short non-blocking sections, registers for the next operation, then returns back to some invisible main loop that handles the details of scheduling operations. This may seem more complicated than the previous example, but it has a large number of advantages:

- The system is almost always ready to handle input. For instance, user-interface systems (like most widget sets) are almost always event-driven, this makes them much more “live”, since they are always ready to handle user input.
- This system can handle multiple simultaneous operations without threads. In general, threaded systems are less reliable and more complicated; unless you need priorities or scalability on SMP, why use them? And even if you use them, you can have much better control over what is running in the system with an event-driven system..
- If you are building a redundant system with data replication, this gives you a natural way to hold your data, know when to transfer it over to the mate system, and continue an operation on the mate system.
- If you track the data, it’s easy to monitor every operation occurring in the system, stop an operations, or whatever.

- It's much easier to detect and manage overload situations in an event driven system. Event-driven systems have event queues of things waiting to be processed. You can put things in the queue and watch the queue length. If the queue length gets too big, you are in overload, and can intelligently decide which events you want to throw away, based on priority, time to live, or some other criteria.

In general, a threaded system is easier to conceptually understand until you understand event-driven methods. An event-driven system is almost always easier to correctly implement.

Note that event-driven systems don't preclude the use of threads. Threads may be vastly overused, but they are important. You could, for example, allocate one event loop thread per CPU to help scale your system. You need to use threads to manage priorities. Some inputs may be more important than others, so you may have an event loop for each priority and feed them that way. You have a thread per CPU, and/or a thread per priority, but you don't need a thread per operation.

This is often called "state-machine programming" since most control systems are state-machine based, and this is a natural way to implement a state machine. The `op_data` holds the state of the state machine, each input gets `op_data`, looks at the current state, and decides what to do next.

The OpenIPMI library is completely event-driven. It has no internal blocking operations, and it expects that anything it calls will not block. IPMI messaging and operating system primitives are provided through external plug-in pieces.

If a library function that takes a callback does not return an error, the callback is guaranteed to be called, even if the object the call is associated with goes away. If it goes away, a NULL may be passed in as the object to the callback, but the `cb_data` will still be valid.

## 2.2.2 The OS Handler

The OS handler provides services for the OpenIPMI library. OpenIPMI needs some things from the operating system that are not standardized by the C language. The `os-handler` include file is shown in Appendix L.

### OS Handler Services

The classes of services required by OpenIPMI are:

**Input Callbacks** The OpenIPMI code uses the "file descriptor" concept of \*nix, input devices are numbered. This is not used internally in the library, but it is used by the messaging interfaces, so the messaging interfaces and OS handler may implement their own conventions for these numbers. This provides a way for OpenIPMI to register to receive input from devices.

**Timers** OpenIPMI times everything (as it should), thus it needs timers.

**Locks** OpenIPMI does not require locks, you may leave the operations NULL and they won't be used. However, if you are doing multi-threaded operations, you should almost certainly provide locks. The locks do not need to be recursive (they used to, but this has changed in OpenIPMI 1.4). Read/write locks are no longer required.

**Condition Variables** These are condition variables like the ones specified in POSIX threads. Although OpenIPMI does not use condition variables (since it never waits for anything) it may be convenient for other things to have them. OpenIPMI does not use them, and if nothing in your system needs them, they need not be provided.



**Random Data** For certain operations, OpenIPMI needs random data.

**Logging** Logs that OpenIPMI uses to report information and internal problems comes through the OS Handler.

**Database** OpenIPMI can use an external database to hold persistent information (like SDRs) and thus avoid having to fetch them every time it starts up. This interface is not required, but can greatly reduce the startup time of OpenIPMI.

**User Functions** Not used by OpenIPMI, but available for the user for special things the user will need.

### Standard User Functions in the OS Handler

OS handlers have some standard functions pointers for the user. These are:

- `free_os_handler` Free the OS handler. Do not use the OS handler after calling this.
- `perform_one_op` Handle one event (a timer timeout or a file operation) and return. This takes a timeout; it will wait up to the amount of time given for the event.
- `operation_loop` Continuously handle events. This function will not return.

These operations may not be available on all OS handlers, see the particular OS handler you are using for more details.

These are part of the OS handler. As an example on how to use them, the following code performs one operation, prints any error it returns, then frees the OS handler:

```
struct timeval tv;
int          rv;
tv.tv_sec = 10;
tv.tv_usec = 0;
rv = os_hnd->perform_one_op(os_hnd, &tv);
if (rv)
    printf("Error handling operation: 0x%x", rv);
os_hnd->free_os_handler(os_hnd);
```

### POSIX OS Handlers

OS handlers are already defined for POSIX systems, both with and without threads. These are defined in the include file `ipmi_posix.h`; see that file for more details. If you are running in a threaded application, you almost certainly should use the threaded version of the OS handlers.

To allocate a POSIX OS handler, use one of the following:

```
os_hnd = ipmi_posix_setup_os_handler();

os_hnd = ipmi_posix_thread_setup_os_handler(wake_sig);
```

The `wake_sig` is a signal number that your program is not using (usually `SIGUSR1`, `SIGUSR2`, or a real-time signal). The OS handlers uses this signal to send between threads to wake them up if they need to be woken.

Freeing and handling the OS handler is done with the standard functions in the OS handler, described in section 2.2.2.

## The GLIB OS Handler

An OS handler is already defined for glib and will work with threads. It is defined in the include file `ipmi_glib.h`; see that file for more details.

To allocate a GLIB OS handler, use:

```
os_hnd = ipmi_glib_get_os_handler();
```

Presumably, GLIB handles the waking of threads, so unlike the POSIX version no wakeup signal is required.

All the other the OS handler functions are done with the standard functions in the OS handler, described in section 2.2.2.

## 2.2.3 Error Handling

Almost all OpenIPMI calls that do anything besides fetch a piece of local data will return an integer error value. A zero means no error. Two types of errors are returned, system errors (which are standard Unix `errno` values) and IPMI errors (which are the standard IPMI error codes). You can use the macros `IPMI_IS_OS_ERR` and `IPMI_IS_IPMI_ERR` to tell the type of error, and `IPMI_GET_OS_ERR` and `IPMI_GET_IPMI_ERR` to get the actual error values.

Note that if your system doesn't have Unix-type error numbers, you will have to provide those for the OpenIPMI library.

If a function returns an error, any callbacks provided to that function will *never* be called. If a function that takes a callback returns success, the callback will *always* be called, even if the object associated has ceased to exist. If an object with outstanding operations ceases to exist, all the callbacks for outstanding operations will be called with `ECANCELED` as the error. Errors are passed into many callbacks, if an error is present the rest of the data in the callback is probably not valid except for the `cb_data` variable you provide, and possibly the object the callback is associated with. The object the callback is associated with may be `NULL` if it has ceased to exist.

## 2.2.4 Locking

As mentioned before, you may or may not be using locking, *but you must read this section anyway*. Locking here involves existence of entities as well as normal locking.

Locking has changed between OpenIPMI 1.3 and 1.4. In OpenIPMI 1.3, locks were held in user callbacks. Locking was very coarse grained and the locks were recursive, so this was generally not a problem. However, in general it is a bad idea to hold locks in user callbacks. The user might have two domains and cause deadlocks between them. For instance, if the user had one thread in a callback from domain 1 that then called a function in domain 2, and another thread in a callback from domain 2 that called a function in domain 1, the system can deadlock. This is because the first thread holds locks in domain 1 that the second thread needs for the function in domain 1, and the second thread holds locks in domain 2 that the first thread needs for the domain 2 function. Because of this, locking strategy has changed in OpenIPMI 1.4. The interfaces and basic usage are completely unchanged, but the semantics have changed.

### Locking principles

The basic principle of locking is that if you are in a callback for an IPMI object (an IPMI object is passed in the callback), that object is refcounted (marked in-use) and the system cannot delete it. In any callback

for an object owned by a particular domain, that object and anything it belongs to will be marked in-use. So, for instance, in a callback for a sensor, the sensor is in-use, the entity the sensor belongs to is in-use, the management controller the sensor is on is in-use, and the domain the sensor is in will be in-use. No other sensors, entities, or management controllers will necessarily be marked in-use. Outside of callbacks, the library is free to change pointers, change information, add and remove objects, or make whatever general changes that are required.

So how do you mark an IPMI object in-use? If you are handling incoming IPMI callbacks you generally don't have to worry about this. But say you are handling outside input, such as a user interface. What then? If the pointers can change, how do you keep a reference to something?

OpenIPMI provides two identifiers for IPMI objects. One is a pointer, but a pointer is only good inside a callback. The other is an OpenIPMI id; the id is good outside callbacks. But the only thing you can do with an id is pass it to a function that will call a callback for you with the pointer. You can convert a pointer to an id (inside a callback, of course) so you should do that if you need to save a reference to the object. Note that there are some functions that take ids that do this for you (such as `ipmi_sensor_id_reading_get()`, other sensor functions, hot-swap functions, and a few others); these are provided for your convenience. Almost all sensor, control, and entity functions that you would generally call asynchronously support these `ipmi_xxx_id` function. The operation is exactly the same as the same operation without the `_id`, it simply takes the id instead of the direct pointer. See the `ipmiif.h` include file to see if the function you desire exists.

This mechanism, though a little inconvenient, almost guarantees that you will not forget to decrement a use count. It nicely encapsulates the locked operation in a function<sup>1</sup>. You have to return from the function unless you exit, `longjmp`, or throw an exception that falls through the callback, and you shouldn't do those things.

You *must* do this whether you are using locking or not, because the library uses this mechanism to determine whether the id you are holding is good. Once it converts the id to the pointer, your pointer is guaranteed to be good until the function returns.

The functions to convert an id to a pointer are named `ipmi_xxx_pointer_cb()`, where "xxx" is control, entity, domain, or sensor. Unlike many other callbacks, the callback function you provide to these functions will be called immediately in the same thread of execution, this callback is not delayed or spawned off to another thread. So, for instance, you can use data on the stack of the calling function and pass it to the callback function to use.

### Locking example

For instance, suppose you have a callback registered with the domain for finding when new entities are ready, and you are looking for a specific entity. The code might look like:

```
ipmi_entity_id_t my_entity_id = IPMI_ENTITY_ID_INVALID;

static void
entity_change(enum ipmi_update_e op,
              ipmi_domain_t      *domain,
              ipmi_entity_t      *entity,
              void                *cb_data)
{
```

---

<sup>1</sup>This is how locking works in Ada95 and Java, although their mechanisms are a little more convenient since they are built into the language

```

ipmi_entity_id tmp_id;

switch (op) {
    case IPMI_ADDED:
        if (entity_i_care_about(entity))
            my_entity_id = ipmi_entity_convert_to_id(entity);
        break;

    case IPMI_DELETED:
        tmp_id = ipmi_entity_convert_to_id(entity);
        if (ipmi_cmp_entity_id(my_entity_id, tmp_id) == 0)
            ipmi_entity_id_set_invalid(&my_entity_id);
        break;

    default:
        break;
}
}

```

In this example, the entity is in-use in this call, because you have received a pointer to the entity in the callback.

However, suppose you want to use the entity id later because the user asks about the entity to see if it is present. You might have a piece of code that looks like:

```

static void
my_entity_id_cb(ipmi_entity_t *entity, void *cb_data)
{
    my_data_t *data = cb_data;

    data->exists = 1;
    data->present = ipmi_entity_is_present(entity);
}

void
check_if_my_entity_present(my_data_t *data)
{
    int rv;

    data->exists = 0;
    data->present = 0;
    rv = ipmi_entity_pointer_cb(my_entity_id, my_entity_id_cb, data);
    if (rv)
        printf("The entity could not be found\n");
}

```

Most of the data about the various OpenIPMI objects is static, so you can pre-collect the information about the objects in the callback where their existence is reported. Some local information, such as entity

presence, whether and MC is active, and entity hot-swap state is dynamic, but the vast majority of information is not. So, it is recommended that you collect all the static information that you need from an object when it is reported to you.

Many operation require a message to the remote system; the ones that take callbacks. For these operation, functions that directly take the id are available.

Use of the id-base functions is recommended. The entity presence code could be rewritten using this to be:

```
void
check_if_my_entity_present(my_data_t *data)
{
    int rv;

    data->exists = 0;
    data->present = 0;
    rv = ipmi_entity_id_is_present(my_entity_id, &data->present);
    if (rv)
        printf("The entity could not be found\n");
    else
        data->exists = 1;
}
```

### Locking semantics

As mentioned before, OpenIPMI will not delete an object you have a pointer to while in a callback, but in multi-threaded systems it is free to do pretty much anything else to the object, including call callbacks on it. This means, for instance, that you can be iterating over the entities in the system and a new entity can be added, have the entity update callback called on it, and be added to the list. There is no guarantee or order between the adding of entities to the list and the callback. So the new entity might be iterated, it might not, the iteration might be before or after the the callback, etc.

How can you avoid this? You have a few options:

- Ignore the problem. I strongly recommend that you do not take this option.
- Single-thread your program. If you don't need be able to take advantage of multiple CPUs in an SMP system, and you have no need for priorities, single-threading is a good option. With OpenIPMI, you can have a single-threaded application that is non-blocking and can perform very well. Plus, single-threaded programs are easier to debug, easier to understand and maintain, and more reliable.
- Do your own locking. For instance, you could claim a lock in both the entity iteration and the callback for a new entity. This would prevent the both pieces of code from running at the same time. You are in control of the locks, so you can handle it as appropriate. You have to know what you are doing, but that goes without saying when doing multi-threaded programming.

This is pretty standard in multi-threaded systems. Hardware Platform Interface (HPI), for instance has the same problem. If you have one thread waiting for events from an HPI domain, and another iterating the RDRs, or you have two threads each doing operations on sensors, you have exactly the same situation. You have to protect yourself with locks the same way.

Note that data about an object (like the device id data, whether the MC is active, or the entity is present, or whatever) will *not* change while the object is in use. This data is held until the object is no longer in use and then installed (and in the case of activity or presence, the callbacks are then called).

## 2.2.5 OpenIPMI Objects

In OpenIPMI, the user deals with six basic objects: connections, domains, entities, sensors, controls, and events.

### Connections

A connection provides the low-level interface to the system. It is usually a connection to a BMC in a system. It handles getting IPMI messages to the proper elements in the system.

### Domains

The domain is the container for the system, the entities in the system are attached to it. You create a domain with a connection to a system; the domain handles the job of discovery of the things in the system.

### Entities

Entities are things that are monitored. They may be physical things such as a power supply or processor, or more abstract things such as the set of all power supplies or the ambient air in a chassis. Sensors monitor entities, and controls are attached to entities.

Entities may be grouped inside other entities, thus an entity may have a parent (if it is grouped inside another entity) and children (if it contains other entities). A raw system with no SDR data will not have any relationships defined. Relationships are stored in the SDR repository. You may change them and store them back, if you like and if the system supports that, but changing SDR data is not recommended.

FRU information about the entity is sometimes available. You can register with an entity to see if/when it becomes available using:

```
int ipmi_entity_add_fru_update_handler(ipmi_entity_t    *ent,
                                      ipmi_entity_fru_cb handler,
                                      void                *cb_data);
```

Once it is available, you can fetch the FRU data using the commands defined in the IPMI include file.

**Device-Relative vs System-Relative Entities** In IPMI, entities may be either in a fixed place in the system, or they may be moved about the system. Fixed entities, are, well, in a fixed location in the system. These are called system relative entities. They have an entity instance less than 60h.

Other entities may not reside in a fixed location. For instance, a power supply or CompactPCI board may be plugged in to one of many locations in a chassis; it doesn't know ahead of time which one. These types of entities are generally device-relative and thus have an entity instance of 60h or larger. For these types of entities, the management controller on which they reside becomes part of the entity. In OpenIPMI, the IPMB channel number and IPMB address are part of the entity. In `ipmi_ui` and `ipmish`, these are printed and entered as “r<channel>.<ipmb>.<entity id>.<entity instance>”.

## Sensors

Sensor monitor something about an object. IPMI defines many types of sensors, but groups them into two main categories: Threshold and discrete. Threshold sensors are “analog”, they have continuous (or mostly continuous) readings. Things like fans speed, voltage, or temperature.

Discrete sensors have a set of binary readings that may each be independently zero or one. In some sensors, these may be independent. For instance, a power supply may have both an external power failure and a predictive failure at the same time. In other cases they may be mutually exclusive. For instance, each bit may represent the initialization state of a piece of software.

## Controls

Controls are not part of the IPMI spec, but are necessary items in almost all systems. They are provided as part of OpenIPMI so that OEM code has a consistent way to represent these, and so OpenIPMI is ready when the IPMI team finally sees the light and adds controls. OpenIPMI defines many types of control: lights, relays, displays, alarms, reset, one-shot-reset, power, fan speed, general outputs, one-shot outputs, and identifiers.

For all controls except displays and identifiers, the control may actually control more than one device. With some controls, multiple device may be controlled together and individual ones cannot be set (ie, the same message sets all of them). For these types of controls, OpenIPMI represents them as a single control with multiple devices. All the devices are read and set at once.

Reset controls are reset settings that can be turned on and off. One-shot-reset controls cause a reset by setting the value to 1; they are not readable and setting them to zero returns an error.

Lights are on/off colored devices, like an LED. They may be multi-color, but can only show one color at a time. For instance, if you work for Kmart, or you are managing a CompactPCI system with hot-swap, you will have a blue light in your system. You can search through the controls to find a light that’s blue. Then, if a special is on, or you want the operator to remove a card, you can light the blue light. Lights may blink, too. Two types of lights are available. Transition lights can have a series of transitions; as series of transition is called a value. Each value describes a sequence of one or more transitions the light may go through. Setting lights allow direct setting of the color and on/off time of the light.

Relays are binary outputs. Most telephony systems have them; they are required by telephony specs. They are simple on/off devices.

Displays are two-dimensional arrays of characters. OpenIPMI allows you to change individual characters at will.

Alarms are bells, whistles, gongs, or anything to alert the user that something is wrong.

Reset controls are used to reset the entity to which they are attached.

Power controls can be used to control power to or from an entity. A power control on a power supply would generally control output power. A power control on a board would generally control input power to the board.

Fan speed controls can be used to set the speed of a fan.

General outputs are outputs that don’t fall into one of the previous categories. One-shot outputs are like general outputs, but perform some action when set to one and are not readable. Setting them to zero returns an error.

Identifier controls hold identification information for a system, such as a chassis id, chassis type, geographic address, or whatever.

## Events

When an external event comes into OpenIPMI, the user will always receive that event in some manner (unless they do not register with a generic event handler, but they should always do that). The event may come through a callback for a sensor, control, entity, or other callback.

All the callbacks you should be using return a value telling whether the handler has “handled” the event. Handling the event means that the callback is going to manage the event. Primarily, this means that it is responsible for deleting the event from the event log with `ipmi_event_delete()`. If no callback handles the event, then it will be delivered to the main event handler(s). This allows calls to receive events but the events to be managed in a single location.

To handle the event, the event handler should return `IPMI_EVENT_HANDLED`. To pass the event on, it should return `IPMI_EVENT_NOT_HANDLED`.

If a callback handles the event, then all future callbacks called due to the event will receive a `NULL` for the event. So be ready to handle a `NULL` event in all your event handlers. A `NULL` may also be passed to an event handler if the callback was not due to an event.

## Where OpenIPMI Gets Its Data

OpenIPMI generally gets all of its data from the IPMI system, either from SDRs, the event log, or via commands. OpenIPMI will pull in anything it can recognize. Note that some data in an IPMI system is duplicated; if the data is not consistent it will continue to be inconsistent in OpenIPMI.

For instance, OpenIPMI gets all the information about a management controller from the “Get Device Id” command. However, the system may have a record in the SDR repository describing an entity that represents the management controller. If the data from the command and the SDR repository is inconsistent, OpenIPMI will happily provide the data from the SDR repository when looking at the entity, and the data from the “Get Device Id” command when looking at the MC.

If the system has OEM controls and sensors, they may have been created by OEM code and may not have come from SDRs (thus the phrase “generally” in the first sentence of this section). This is a major reason not to use direct IPMI messaging with OpenIPMI. OpenIPMI provides an abstraction for the sensors and controls and thus multiple implementations can sit below it. If software bypasses the abstraction, it will lose the ability to talk to non-standard sensors and controls that use the same abstraction.

### 2.2.6 Callbacks

As you will discover, OpenIPMI is very callback based. The callbacks are somewhat finely grained; you register for exactly what you want to see on individual objects. This is not as bad as you might imagine (even though it may seem somewhat strange). It does mean that you have to do a lot of registering in all the right places, though. IPMI has a large number of asynchronous things that it has to inform you about. If it delivered all these through one interface, you would have to look at each call and try to figure out what type of things was being reported, what object it was associated, etc. In effect, that work is done by OpenIPMI.

For user-level callbacks, the object the callback is for will always be valid, it will never be `NULL`. This means, for instance, if you request a reading from a sensor, the reading response will always get called and the sensor parameter will always be valid. It may be in the destruction process and you cannot set any setting, get any readings, or anything else that requires sending a message. If the handler gets an `ECANCELED` error, the sensor is being destroyed. This also applies to all control, entity, and most domain callbacks. This is new for OpenIPMI 1.4, but is fully backwards compatible.



This does *not* apply to internal interfaces, especially ones that send messages. If you send a message to a MC, for instance, the MC can be NULL when the response comes back. Be very careful.

Note that the handlers don't get called immediately with current state when you add a callback handler. So you must register for the event then query the current state.

### Updated Callbacks

Updated callbacks tell you when an object comes into existence, is destroyed, or if configuration information about an object has changed. On an entity, for instance, when an entity is first added, the entity update handler on the domain will be called with the entity. when an SDR is read and causes a change to the entity, the updated handler will be called again with the change. When the entity is deleted, it will be called again.

In general, you should add updated handlers whenever the thing you want to register against comes into existence. So for entities and the main event handler, you should register them in the `setup_done` callback for the domain. The entity update handler should register the update handlers for sensors, controls, and FRU information. It should register the event handlers for presence and hot-swap there, too.

Sensor and control update handlers should set up and register for events from the sensor.

### Asynchronous Callbacks

Asynchronous callbacks tell you when asynchronous things happen in the system. For instance, a card gets plugged in and an entity becomes present. You will be told with the present callback on the entity. The hot-swap state of an entity changes. That is reported via the hot-swap state callback. Events because of sensors going out of range is another example.

Note that these are usually due to an IPMI event, but do not necessarily have to be caused by an IPMI event. For instance, if, during an audit, OpenIPMI discovers that it has the state wrong for something, it will report the correct state in a callback.

### Synchronous Callbacks

Synchronous callbacks are callbacks for things you request and are one-shot operations. For instance, if you want to know the current value of a sensor, you call call `ipmi_reading_get()` and you give it a handler to call when the reading has been fetched.

This is always done for things that OpenIPMI might have to send a message to do. If it is a result of OpenIPMI's requirement to be able to work in non-threaded systems and still be responsive to operations while waiting.

## 2.3 OpenIPMI Include Files

OpenIPMI has a large number of include files. The ones dealing with internals are in the internal directory and are only needed for OEM code. The include file are classified by need in the sections below.

### 2.3.1 Files the normal user deals with

<code>ipmiif.h</code>	The main include file for OpenIPMI. It contains the main functions the user must deal with when working with the OpenIPMI library. Almost everything will include this. It includes <code>ipmi_types.h</code> and <code>ipmi_bits.h</code> , too, so you don't have to include those.
<code>ipmi_fru.h</code>	Interface for FRU data.
<code>ipmi_auth.h</code>	The file holding information about authentication algorithms. You need this if dealing with an authenticated interface.
<code>ipmi_bits.h</code>	Various values, mostly for sensors, used by the user. <code>ipmiif.h</code> includes this file, so you generally don't have to include it explicitly.
<code>ipmi_types.h</code>	Types for the basic IPMI objects. <code>ipmiif.h</code> includes this file, so you generally don't have to include it explicitly.
<code>ipmi_err.h</code>	Error values, both IPMI and system, as well as macros for interpreting these.
<code>os_handler.h</code>	The os-specific handler types are defined here. You must implement this and supply it to the IPMI code.
<code>selector.h</code>	For *nix systems, This file a default mechanism for handling many of the os-specific handler operations.
<code>ipmi_posix.h</code>	This defines some POSIX OS handlers.
<code>ipmi_log.h</code>	Holds definitions for the logging interface.

### 2.3.2 Files dealing with messaging interfaces

<code>ipmi_lan.h</code>	This is the LAN messaging interface, this contains the calls for creating a LAN connection.
<code>ipmi_smi.h</code>	This is the messaging interface for talking to local IPMI interfaces (like KCS), this contains the calls for creating an SMI connection.

### 2.3.3 File for system configuration

<code>ipmi_pef.h</code>	Contains code for configuring the PEF.
<code>ipmi_lanparm.h</code>	Contains code for configuring the LAN configuration data.
<code>ipmi_pet.h</code>	Contains code that allows the user to easily set up an IPMI LAN interface on a BMC to send SNMP traps.

### 2.3.4 Semi-internal includes

These files expose the more IPMI-ish parts of OpenIPMI; things that are closer to raw IPMI. You should not use these unless you really need them.

<code>ipmi_mc.h</code>	This defines interfaces for the management controllers.
<code>ipmi_addr.h</code>	The file holding information about IPMI addresses.
<code>ipmi_conn.h</code>	This defines the interface for the messaging interfaces.
<code>ipmi_msgbits.h</code>	This defines various IPMI messages.
<code>ipmi_picmg.h</code>	This defines various PIGMC messages.
<code>ipmi_sdr.h</code>	This defines internal interfaces for the SDR repository.

## 2.4 Starting Up OpenIPMI

Starting up OpenIPMI is relatively easy. You must allocate an OS handler and initialize the library with it. Then you are free to set up connections. The following code shows this for a non-threaded POSIX program:

```
os_hnd = ipmi_posix_setup_os_handler();
if (!os_hnd) {
    printf("ipmi_smi_setup_con: Unable to allocate os handler\n");
    exit(1);
}

/* Initialize the OpenIPMI library. */
ipmi_init(os_hnd);
```

The `ipmi_init` function should be done *once* when your program starts up. Generally, you only have one OS handler, but you are free to have more if they interwork properly and you have some special need.

## 2.5 Creating OpenIPMI Domains

If you want to talk to an IPMI BMC, you must create a connection to it. The connection method depends on the type of connection; these are described in Chapter 3.

Once you have a connection, you can open a domain with it. You do this like so:

```
ipmi_con_t      cons[N];
int             num_cons, rv;
ipmi_domain_id_t id;

/* Set up connection(s) here */

rv = ipmi_open_domain(cons, num_cons, con_change, user_data,
                    domain_fully_up, user_data2,
                    options, num_options, &domain_id);
```

### 2.5.1 Domain Connections

Up to two connections to a single domain are currently supported. A connection is an independent MC in the same domain; if two MCs have external connections, they can both be used for fault-tolerance. This generally requires some special support for the particular domain type, see the appendices on specific domain types for more detail. The `con_change` function is called whenever the connection changes states (a connection is established or lost). The connection change callback looks like:

```
static void
con_change(ipmi_domain_t *domain,
          int          err,
          unsigned int conn_num,
          unsigned int port_num,
```

```

        int          still_connected,
        void         *user_data)
{
    ...
}

```

If a connection is established, then `err` will be zero. Otherwise it is the error that caused the connection to fail. The `conn_num` parm is the particular connection number (from the `cons` array passed into the domain setup). A connection may have specific ports, generally multiple connections to the same MC. The `still_connected` parm tells if you still have some connection to the domain.

If a connection is down, the connection change callback will be called periodically to report the problem as OpenIPMI attempts to re-establish the connection.

## 2.5.2 Domain Fully Up

The `domain_fully_up` callback will be called after the domain has been fully scanned, all SDRs fetched, all FRUs fetched, and all SELs read for the first time. This gives you an indication that the domain is completely “up”, although there really is no concept of completely “up” in IPMI since the system may dynamically change. It is useful for some things, though (and people complained a lot about not having it in the past) so it is now available. The callback is in the form:

```

static void
domain_fully_up(ipmi_domain_t *domain,
                void          *user_data2)
{
    ...
}

```

Note that this will *not* be called until the domain is fully up. If the domain never comes up, this will *never* be called. So don’t rely on this. The connection up callback will always be called.

## 2.5.3 Domain Options

When a domain is created, it may be passed options to control how the domain operates. For instance, if you do not want to scan FRUs, or you do not want to fetch SDRs, you can control exactly what OpenIPMI will do.

Control of this is done through the options. This is an array of values passed to `ipmi_open_domain`. Each element is:

```

typedef struct ipmi_open_option_s
{
    int option;
    union {
        long ival;
        void *pval;
    };
} ipmi_open_option_t;

```

IPMI_OPEN_OPTION_ALL	Uses the <code>ival</code> value as a boolean. This is an all-or-nothing enable. If this is enabled, then all startup processing will be done. If this is disabled, then the individual startup processing options will be used to individually control the enables. This is true by default.
IPMI_OPEN_OPTION_SDRS	Uses the <code>ival</code> value as a boolean. The all option overrides this. This enables or disables fetching SDRs. This is false by default. This is false by default.
IPMI_OPEN_OPTION_FRUS	Uses the <code>ival</code> value as a boolean. The all option overrides this. This enables or disables fetching FRU information. This is false by default.
IPMI_OPEN_OPTION_SEL	Uses the <code>ival</code> value as a boolean. The all option overrides this. This enables or disables fetching SELs. Note that you can fetch the SELs by hand from an MC by setting <code>ipmi_mc_set_sel_rescan_time()</code> to zero and then calling <code>ipmi_mc_reread_sel()</code> when you want to reread the SEL. This is false by default.
IPMI_OPEN_OPTION_IPMB_SCAN	Uses the <code>ival</code> value as a boolean. The all option overrides this. This enables or disables automatic scanning of the IPMB bus. If you turn this off you can still scan the bus by hand using the <code>ipmi_start_ipmb_mc_scan()</code> function. This is false by default.
IPMI_OPEN_OPTION_OEM_INIT	Uses the <code>ival</code> value as a boolean. The all option overrides this. This will enable or disable OEM startup code for handling special devices. This is the code that creates custom controls and things like that. This is false by default.
IPMI_OPEN_OPTION_SET_EVENT_RCVR	Uses the <code>ival</code> value as a boolean. This is <i>not</i> affected by the all option. This enables setting the event receiver automatically. If true, OpenIPMI will detect if the event destination of an MC is not set to a valid value and set it. However, this requires admin level access; you will get errors if you connect with a lower level of access and have this turned on. This is true by default.

Table 2.1: Domain options in OpenIPMI

The option goes into the `option` variable and the union holds the option value, whose type depends on the option. Table 2.1 shows the options available.



# Chapter 3

## IPMI Interfaces

IPMI has a large number of interfaces for talking to management controllers. They vary in performance and capability, but the same messages work over the top of all of them. Generally, it does not matter how you interface to an IPMI system, the messages will work the same.

### 3.1 OpenIPMI Generic Interface

The OpenIPMI library has a generic interface to the various connections. You use a per-interface command to set up the interface, but once set up, the interfaces all work the same. The file shown in Appendix K defines the interface for connections.

Note that not all operations are available on all interfaces. LAN connections, for instance, cannot receive commands.

### 3.2 System Interfaces

The most common interface to a management controller is the system interface. This provides a direct connection between the main processor of a system and the management controller. Obviously, this interface isn't very useful if the system is turned off, but it allows a running system to monitor itself.

The low-level format of a system interface message that is  $n$  bytes long is:

0	Bits 0-1 - Destination LUN Bits 2-7 - NetFN
1	Command
2 - n-1	Message Data

Commands and responses have basically the same format, except that responses always have the completion code as the first byte of the message data. See chapter 5 for more details.

### 3.2.1 SMIC

The SMIC interface has been around a long time, but mostly during a period when IPMI was not popular. This is a low-performance, byte-at-a-time interface with no interrupt capability.

TBD - describe this interface in detail

### 3.2.2 KCS

The KCS interface is currently the most popular IPMI system interface. The KCS interface looks electrically much like a standard PC keyboard interface. It was chosen because lots of cheap hardware was available for these types of interfaces. But it is still a byte-at-a-time interface and performs poorly. It has the capability for interrupts, but very few systems have working interrupt capability with KCS interfaces.

TBD - describe this interface in detail

### 3.2.3 BT

The BT interface is the best interface for IPMI. Messages are sent a whole message at a time through the interface, thus it is a much higher performance interface than the other system interfaces.

TBD - describe this interface in detail

### 3.2.4 SSIF

The SSIF interface was added in the 2.0 spec. It provides an interface over an Inter Integrated Circuit (I<sup>2</sup>C) interface using the SMBus protocol. This is very cost effective interface; most systems generally already have an I<sup>2</sup>C bus, so no new interfaces to processor busses are required. However, I<sup>2</sup>C busses are not very fast and the interfaces from the processor to the I<sup>2</sup>C bus tends to perform poorly.

TBD - describe this interface in detail

### 3.2.5 The OpenIPMI Driver

The OpenIPMI driver on Linux provides a user interface to all the standard IPMI system interfaces. It does so in a manner that allows multiple users to use the driver at the same time, both users in the kernel and users in user space.

To do this, the OpenIPMI driver handles all the details of addressing and sequencing messages. Other drivers allowed more direct access to the IPMI interface; that means that only one user at a time could use the driver. Since the IPMI can be used for different purposes by different users, it is useful to do the multiplexing in the kernel.

The details of configuring the IPMI driver are found in the `IPMI.txt` file in the kernel documentation; those details won't be discussed here.

To use the IPMI device driver, you open the `/dev/ipmi0` or `/dev/ipmidev/0` file. The driver allows multiple IPMI devices at the same time; you would increment the number to get to successive devices. However, most systems only have one.

The primary interface to the driver is through `ioctl` calls. `read` and `write` calls will not work because the IPMI driver separates the addressing and data for an IPMI message.

The core description of an IPMI message is:



```

struct ipmi_msg
{
    unsigned char  netfn;
    unsigned char  cmd;
    unsigned short data_len;
    unsigned char  *data;
};

```

The `netfn` describes Network FuNction (NetFN) of the class of message being sent. IPMI messages are grouped into different classes by function. The `cmd` is the command within the class. Chapter 5 discusses this in more detail. The `data` and `data_len` fields are the message contents. This structure is used in both sent and received messages.

### Sending Commands

To send a command, use the following:

```
rv = ioctl(fd, IPMICTL_SEND_COMMAND, &req);
```

The `req` structure has the following format:

```

struct ipmi_req
{
    unsigned char  *addr;
    unsigned int   addr_len;
    long           msgid;
    struct ipmi_msg msg;
};

```

The `addr` and `addr_len` fields describe the destination address of the management controller to receive message. The `msg` field itself gives the message to send. The `msgid` is a field for the user; the user may put any value they want in this field. When the response comes back for the command, it will contain the message id. Since it is a long value, it can be used to hold a pointer value.

The driver guarantees that the user will receive a response for every message that is successfully sent. If the message times out or is undeliverable, an error response will be generated and returned.

The following code fragment shows how to send a message to the local management controller, in this case a command to read the value of a sensor:

```

struct ipmi_req          req;
unsigned char            data[1];
struct ipmi_system_interface_addr si;

/* Format the address. */
si.addr_type = IPMI_SYSTEM_INTERFACE_ADDR_TYPE;
si.channel = IPMI_BMC_CHANNEL;
si.lun = 0;

```

```

req.addr = (void *) &si;
req.addr_len = sizeof(si);
req.msgid = 0x1234;
req.msg.netfn = 0x04; /* Sensor/Event netfn */
req.msg.cmd = 0x2d; /* Get sensor reading */
req.msg.data = data;
req.msg.data_len = 1;
data[0] = 10; /* Read sensor 10 */

rv = ioctl(fd, IPMICTL_SEND_COMMAND, &req);

```

Note that sending the command is asynchronous; you will not immediately get the response. Instead, the response comes back later and can be received at that point in time. This is what makes the `msgid` important.

The following example shows sending a get device id request to IPMB address 0xb2.

```

struct ipmi_req      req;
struct ipmi_ipmb_addr si;

/* Format the address. */
si.addr_type = IPMI_IPMB_ADDR_TYPE;
si.channel = 0;
si.lun = 0;
si.slave_addr = 0xb2;

req.addr = (void *) &si;
req.addr_len = sizeof(si);
req.msgid = 0x1234;
req.msg.netfn = 0x06; /* App netfn */
req.msg.cmd = 0x01; /* Get device id */
req.msg.data = NULL;
req.msg.data_len = 0;

rv = ioctl(fd, IPMICTL_SEND_COMMAND, &req);

```

### Receiving Responses and Events

As mentioned before, the responses to commands come back in later. You can use standard `select` and `poll` calls to wait for messages to come in. However, you cannot use `read` to get the message. The following data structure is used to receive messages:

```

struct ipmi_recv
{
    int          recv_type;
    unsigned char *addr;
    unsigned int  addr_len;
    long         msgid;
}

```

```

    struct ipmi_msg msg;
};

```

The `recv_type` field can be one of the following values:

**IPMI\_RESPONSE\_RECV\_TYPE** A response to a sent command.

**IPMI\_ASYNC\_EVENT\_RECV\_TYPE** An asynchronous event.

**IPMI\_CMD\_RECV\_TYPE** A command was received for the system software.

**IPMI\_RESPONSE\_RESPONSE\_TYPE** Responses sent by this interface get acked using one of these. This way you can tell if there was an error sending the response.

Received commands are discussed in section 3.2.5. You have to fill in the data for the driver to put the received information into. The following shows how to receive a message:

```

unsigned char    data[IPMI_MAX_MSG_LENGTH];
struct ipmi_addr addr;
struct ipmi_recv recv;
int              rv;

recv.msg.data = data;
recv.msg.data_len = sizeof(data);
recv.addr = (unsigned char *) &addr;
recv.addr_len = sizeof(addr);
rv = ioctl(fd, IPMICTL_RECEIVE_MSG_TRUNC, &recv);
if (rv == -1) {
    if (errno == EMSGSIZE) {
        /* The message was truncated, handle it as such. */
        ...
    }
}
switch (recv.recv_type) {
case IPMI_RESPONSE_RECV_TYPE: ...
case IPMI_ASYNC_EVENT_RECV_TYPE: ...
case IPMI_CMD_RECV_TYPE: ...
case IPMI_RESPONSE_RESPONSE_TYPE: ...

```

The `msgid` comes in very handy for these responses, it lets you easily correlate commands and responses. It has no meaning for events.

The `netfn` for a received message have a “one” bitwise or-ed onto the value. In IPMI, even NetFNs are always commands and odd NetFNs are always responses.

For responses, the address will always be the same as the sent address.

A interface will not receive events by default. You must register to receive them with the following:

```

int val = 1;
rv = ioctl(fd, IPMICTL_SET_GETS_EVENTS_CMD, &val)

```

Setting `val` to true turns on events, setting it to false turns off events. Multiple users may register to receive events; they will all get all events. Note that this is for receiving asynchronous events through the interface. The events also go into the event log as described in chapter 10, but that is a different thing. If you receive an event through this interface, you will also get it in the event log. Section 10.1 describes the format of events.

### Receiving Commands and Responding

Commands sent to Logical Unit Number (LUN) two of a management controller will generally be routed to the driver. If the driver does not have a registered user for that command, it will respond that it does not handle that command.

If you wish to receive commands, you must register to receive those commands. The `cmdsSpec` structure defines commands the program wishes to receive:

```
struct ipmi_cmdsSpec
{
    unsigned char netfn;
    unsigned char cmd;
};
```

These are registered with the following `ioctl`:

```
rv = ioctl(fd, IPMICTL_REGISTER_FOR_CMD, &cmdsSpec);
```

To remove a registered command, use the following:

```
rv = ioctl(fd, IPMICTL_UNREGISTER_FOR_CMD, &cmdsSpec);
```

If you receive a message, you must send a response. The driver makes this easy, you can always use the received address to send the response to. The program in Appendix J receives one message, sends a response, and exits. When you respond, you must supply the `msgid` that came into the command.

### Overriding Default Timing Values

By default, commands over IPMB get resent up to 5 times with a 1 second timeout between the sends. For very select applications, this is not suitable. Primarily, some applications need to only send once, they have a higher-level resend mechanism and the OpenIPMI resends will only get in the way.

Note that responses over IPMB will not get timed or resent.

The user may modify the timing values two different ways. The user can set the default resend and retry times for a file descriptor with the following structure:

```
struct ipmi_timing_parms
{
    int          retries;
    unsigned int retry_time_ms;
};
```

The `retries` parm is the number of times the message will be resent. The `retry_time_ms` is the time in milliseconds between resends. To get and set the parameters, use the following:

```

struct ipmi_timing_parms tparms;

rv = ioctl(fd, IPMICTL_GET_TIMING_PARAMS_CMD, &tparams);
if (rv == -1)
    error handling...

printf("parms were: %d %d", tparms.retries, tparms.retry_time_ms);

tparams.retries = 0; /* No resends */
tparams.retry_time_ms = 1000; /* one second */
rv = ioctl(fd, IPMICTL_SET_TIMING_PARAMS_CMD, &tparams);
if (rv == -1)
    error handling...

```

This will set the timing parameters for all future messages. You can also override the timing on individual messages.

```

struct ipmi_req_settime
{
    struct ipmi_req req;

    int      retries;
    unsigned int retry_time_ms;
};

```

The req is the request as shown previously. Use the following ioctl to perform the request:

```
rv = ioctl(fd, IPMICTL_SEND_COMMAND_SETTIME, &req_time);
```

### Setting Your Local IPMB Address

Unfortunately, IPMI has no standard way to determining your local IPMB address. It is usually set to 20h, but especially in bussed systems, the local management controller may have a different address.

If you do not set your IPMB address properly, messages out on the IPMB will not have the proper source address and thus the response will go to the wrong place. To avoid this problem, the OpenIPMI allows the user to set the local IPMB address and the local LUN. The following shows how to get and set the IPMB address:

```

unsigned int ipmb_addr;

rv = ioctl(fd, IPMICTL_GET_MY_ADDRESS_CMD, &ipmb_addr);
if (rv == -1)
    error handling...

printf("My address was: %x", ipmb_addr);

ipmb_addr = 0xb2;

```

0h	Primary IPMB	Channel 0 is the primary IPMB bus on the system.
1h-7h	Implementation-specific	These channel may be any type of channel, including IPMB, and LAN interfaces.
8h-Dh		Reserved
Eh	Present I/F	This specifies the channel the message is going over. It's not really very useful, since you have to put the real channel in the command to send a message to it.
Fh	System Interface	This specifies the system interface, but is really never used.

Table 3.2: Channel Numbers

```
rv = ioctl(fd, IPMICTL_SET_MY_ADDRESS_CMD, &ipmb_addr);
if (rv == -1)
    error handling...
```

The driver also has `ioctl`s to get and set the LUN, but you should almost certainly leave that alone.

### 3.2.6 The OpenIPMI System Interface

The OpenIPMI library system interface can be set up with the following function:

```
int ipmi_smi_setup_con(int          if_num,
                       os_handler_t *handlers,
                       void         *user_data,
                       ipmi_con_t   **new_con);
```

The `if_num` is the specific interface number. Generally this is 0, but if a system has more than one system interface then this will be the specific interface number. The `handlers` is the OS handler data to use for the connection (as described in section 2.2.2). The `user_data` field is put into the `user_data` field in the `ipmi_con_t` data structure. A new connection is returned in `new_con`.

The OpenIPMI library understands how to get the local IPMB address for certain systems. If it can get the local IPMB address, it will set it automatically.

Once you have a connection, you can start it and use it directly. However, usually you pass this to the domain startup code for creation of a domain, as described in section 2.5.

## 3.3 Channels

The IPMI interfaces on a management controller are called “channels”. These are messaging channels. LAN, IPMB, system interface, and any other messaging interfaces will each have their own channel on the MC.

Messages directly sent to the local management controller do not require any type of channel information. When the user sends a message out to another interface, it must specify the channel. This is called “bridging”. Channels also may have some type of configuration information such as users and passwords.

## 3.4 Bridging

Intelligent Platform Mangement Interface (IPMI) does not have any type of automatic routing. Instead, commands and responses are “bridged” between different interfaces generally using a “Send Message” command. So you have to know the route to the destination when you send the message. Generally, this is not a big deal because only one level is generally bridged (eg system interface to IPMB, Local Area Network (LAN) interface to IPMB).

Note that OpenIPMI handles most of the bridging work for you. The OpenIPMI address described in section 3.14 has address formats for routing messages to the proper places. But knowing what goes on behind the scenes can be helpful, and some of this information is required even with OpenIPMI.

### 3.4.1 Channels

An interface has the concept of a “channel”. A channel is an indepedent communication interface. Each LAN interface, serial interface, IPMB interface, and system interface has its own channel number. Messages are bridged to specific channels.

There are 16 specified channels. Channel 0 is always the primary IPMB channel. Channels 1-7 are for general use, like for LAN, secondary IPMB, Intelligent Chassis Management Bus (ICMB), etc. Channels 8-Dh are reserved. Channel Fh is for the system interface. Channel Eh is used for whatever the present interface. This is useful because some commands take a channel as one of their fields, if you just want to use the current channel you can put Eh here.

To discover the channels in a system, the “Get Channel Info” command shown in table 3.3 must be sent for each possible channel.

Request	
0	<b>bits 0-3</b> - Channel number <b>bits 4-7</b> - reserved
Response	
0	Completion Code
1	<b>bits 0-3</b> - Actual channel number (if you put Eh in the request, the real channel number is returned here) <b>bits 4-7</b> - reserved

2	<p><b>bits 0-6</b> - Channel medium type. Valid values are:</p> <ul style="list-style-type: none"> <li><b>00h</b> - reserved</li> <li><b>01h</b> - IPMB (I<sup>2</sup>C)</li> <li><b>02h</b> - ICMB version 1.0</li> <li><b>03h</b> - ICMB version 0.9</li> <li><b>04h</b> - 802.3 (Ethernet)</li> <li><b>05h</b> - Async serial/modem (RS-232)</li> <li><b>06h</b> - Other LAN</li> <li><b>07h</b> - PCI SMBus</li> <li><b>08h</b> - SMBus Versions 1.0/1.1</li> <li><b>09h</b> - SMBus Version 2.0</li> <li><b>0Ah</b> - reserved for USB 1.x</li> <li><b>0Bh</b> - reserved for USB 2.x</li> <li><b>0Ch</b> - System Interface</li> <li><b>60h-7Fh</b> - OEM</li> </ul> <p>All other values are reserved.</p> <p><b>bit 7</b> - reserved</p>
3	<p><b>bits 0-4</b> - Channel protocol type. Valid values are:</p> <ul style="list-style-type: none"> <li><b>00h</b> - reserved</li> <li><b>01h</b> - IPMB-1.0, used for acsIPMB, serial/modem basic mode, and LAN.</li> <li><b>02h</b> - ICMB-1.0, see section 3.6</li> <li><b>03h</b> - reserved</li> <li><b>04h</b> - IPMI over SMBus</li> <li><b>05h</b> - KCS, see section 3.2.2</li> <li><b>06h</b> - SMIC, see section 3.2.1</li> <li><b>07h</b> - BT from IPMI v1.0, see section 3.2.3</li> <li><b>08h</b> - BT from IPMI v1.5, see section 3.2.3</li> <li><b>09h</b> - Terminal mode, see section 3.10.3</li> <li><b>1Ch-1Fh</b> - OEM</li> </ul> <p>All other values are reserved.</p> <p><b>bits 5-7</b> - reserved</p>
4	<p>This field describes session information about the channel. See section 3.8 for details on sessions.</p> <p><b>bits 0-5</b> - The number of sessions that have been activated on a given channel. This is only valid if the channel has session support.</p> <p><b>bits 6-7</b> - Session support, values are:</p> <ul style="list-style-type: none"> <li><b>00b</b> - channel does not support sessions.</li> <li><b>01b</b> - channel is single-session.</li> <li><b>10b</b> - channel is multi-session.</li> <li><b>11b</b> - channel is sessions based, but may switch between single and multiple sessions.</li> </ul>
5-7	<p>Vendor ID, used to specify the IANA number for the organization that defined the protocol. This should always be the IPMI IANA, which is 7154 (decimal), or F2H, 1Bh, and 00H for these bytes.</p>



8-9	<p>Auxiliary channel info.  For channel Fh, this is byte 8 is the interrupt for the system interface, byte 9 is the interrupt for the event message buffer interface. Valid values are:</p> <p><b>00h-0Fh</b> - IRQ 0-15  <b>10h-13h</b> - PCI A-D, respectively  <b>14h</b> - SMI  <b>15h</b> - SCI  <b>20h-5Fh</b> - System interrupt 0-62, respectively  <b>60h</b> - Assigned by ACPI, SMBIOS, or a plug and play mechanism.  <b>FFh</b> - No interrupt or unspecified</p> <p>All other values are reserved.  For Original Equipment Manufacturer (OEM) channel types, this value is OEM defined.  These bytes are reserved for all other channel types.</p>
-----	--

Table 3.3: Get Channel Info Command, NetFN App (06h), Cmd 42h

### 3.4.2 Sending Bridged Message

Table 3.4 shows the format of a Send Message command. Note that the spec says the response can have response data for non-system interface channels. However, this is not actually the case, response data for LAN and serial channels is carried in a different manner.

Request	
0	<p>Channel information, bits are:</p> <p><b>0-4</b> - Channel number  <b>4-5</b> - reserved  <b>6-7</b> - tracking type. See section 3.4.3 for more information. Values are:  <b>00b</b> - No tracking  <b>01b</b> - Track request  <b>10b</b> - Send raw. This is a test mechanism or a mechanism used for transmitting proprietary protocols. It is optional.  <b>11b</b> - reserved</p>
1-n	<p>Message data. The format depends on the channel type. See the section on the specific channel type for more information.</p>
Response	
0	<p>Completion code. If transmitting on an IPMB, SMBus, or PCI management bus, the following return codes are used to inform the sender of sending problems:</p> <p><b>81h</b> - lost arbitration  <b>82h</b> - Bus Error  <b>83h</b> - NAK on Write</p>

Table 3.4: Send Message Command, NetFN App (06h), Cmd 34h

### 3.4.3 Message Tracking

Message tracking is relatively simple, but difficult to understand from the spec. This section should clear that up.

Messages sent from the system interface to the IPMB interface do not have to be tracked. Instead, the sender sets the requester (source) LUN to 2. In the response, the responder will thus set the requester (destination) LUN to 2. If an MC receives a message with a destination LUN of 2, it will route it back to the system interface. Simple to do and no state is required in the MC.

Other channels cannot do this. They must instead rely on message tracking to handle the responding. With message tracking, the MC reformats the message with its own information and remembers the original message information. When the response comes back, the MC will restore the original information in the response. Note that the sender must still format the message properly for the destination channel.

### 3.4.4 Receiving Asynchronous Messages on the System Interface

Asynchronous messages to the system interfaces (ones with the destination LUN set to 2), both commands and responses, have no direct route to be sent up the system interface. Instead, they go into the receive message queue and the software is informed through the system interface that something is in the queue. The software must then fetch the message from the queue using the Get Message command described in table 3.5.

Request	
-	
Response	
0	Completion code
1	Channel information, bits are: <b>0-4</b> - Channel number <b>4-7</b> - Inferred privilege level for the message. Table 3.18 describes the privilege levels. If the message is received from a session-oriented channel, this will generally be set to the maximum privilege level of the session. If per-message authentication is enabled, this will be set to User privilege for unauthenticated messages. The privilege will be then lowered based on the privilege limit set by the Set Session Privilege Level command. For messages from sessionless channels, this will always be set to “None”. Privilege levels are: <b>0</b> - None (unspecified) <b>1</b> - Callback <b>2</b> - User <b>3</b> - Operator <b>4</b> - Admin <b>5</b> - OEM
2-n	Message data. The format depends on the channel type. See the section on the specific channel type for more information.

Table 3.5: Get Message Command, NetFN App (06h), Cmd 33h

To know if a message is waiting in the asynchronous queue, the interface will generally set some flag so that the user may immediately know. The software will then send a Get Message Flags command (table 3.6) to know find out what is up. A bit will be set in the response to tell it something is in the queue.

Request	
-	
Response	
0	Completion code
1	Flags. The bits are: <b>0</b> - message(s) in the receive message queue. <b>1</b> - Event message buffer is full <b>2</b> - reserved <b>3</b> - Watchdog pre-timeout <b>4</b> - reserved <b>5</b> - OEM 0 <b>6</b> - OEM 1 <b>7</b> - OEM 2

Table 3.6: Get Message Flags Command, NetFN App (06h), Cmd 31h

### 3.4.5 System Interface to IPMB Bridging

For bridging from a system interface to IPMB, format an IPMB message as described in section 3.5 and set the requester LUN to 2. Then issue a Send Message command with the IPMB message as the data to the proper IPMB channel; the message will be routed out onto the IPMB bus.

The response will come back to the MC with the requester LUN set to 2. This will route the message back to the system interface, where it will be put into the receive message queue. The software running on the system must receive the message from the queue using the Get Message command described in section 3.4.4.

The response data will be in the same IPMB format.

### 3.4.6 LAN to IPMB Bridging

Unfortunately, the description in the spec of the LAN protocol is very confusing. An errata was introduced that, instead of clearing things up, added another possible interpretation. Four popular interpretations are common. Fortunately, one piece of software can be written to work with three of these possibilities, and the fourth possibility is rather broken. The three main possibilities are:

- Response comes back in the Send Message response
- Separate Send Message and IPMB responses
- Separate Send Message and Translated responses

One might also infer from the spec that you implement the receive message queue on the LAN interface and poll it with the Get Message command. It is yet another possible interpretation, but the side effects of this are very bad. This will not be discussed any more.

In the examples below, a Get Device ID is encapsulated in a Send Message and sent to IPMB address C0h. For these examples, the RMCP headers and authentication information are skipped, we start directly with the IPMI message. The sent data is always the same, and is:

Byte	Value	Description
0	20h	LAN Responder address, this is the BMC's IPMB, generally
1	18h	LAN Responder LUN in bits 0-1 (0 in this case), Send Message NetFN in bits 2-7 (6 in this case)
2	C8h	Checksum for the previous two bytes
3	81h	LAN Requester address (this is the value for system management software)
4	B8h	Requester LUN in bits 0-1 (0 in this case), Sequence number in bits 2-7 (2eh in this case). Note that the sequence number is returned in the response as-is and helps differentiate the messages.
5	34h	The command, a Send Message for NetFN 6.
6	40h	The channel number in bits 0-4 (0 in this case), and message tracking selection in bits 6-7 (10b in this case, message tracking is on).
7	C0h	The destination IPMB address
8	18h	IPMB Responder LUN in bits 0-1 (0 in this case), Get Device ID NetFN in bits 2-7 (6 in this case)
9	28h	Checksum for the previous two bytes
10	20h	Source address, the IPMB address of the BMC.
11	BEh	Requester LUN in bits 0-1 (2 in this case, although it generally doesn't matter), Sequence number in bits 2-7 (2fh in this case).
12	01h	The command, a Get Device Id for NetFN 6
13	25h	Checksum for the IPMB message (from bytes 7-12)
14	49h	Checksum for the whole message

If you look at this, a lot of the contents seem pretty silly. The addresses in the LAN header, for instance, are pretty useless, but probably there for consistency.

### Response comes back in the Send Message response

In this possibility, the send message response contains the message data response. This seems to be implied in the text of the Send Message command, and is certainly the most efficient way to handle this. However, it does not seem to be the accepted way.

As an example, the following shows the response to the Get Device ID previously sent:

Byte	Value	Description
0	81	Requester Address
1	1c	LAN Requester LUN in bits 0-1 (0 in this case), Send Message response NetFN in bits 2-7 (7 in this case)
2	63	Checksum for the previous two bytes
3	20	Responder Address
4	b8	Responder LUN in bits 0-1 (0 in this case), Sequence number in bits 2-7 (2eh in this case).

5	34	The command, a Send Message response in this case.
6	00	Completion code
7	20	IPMB Destination address (the BMC's IPMB address)
8	1E	IPMB Requester LUN in bits 0-1 (2 in this case), Send Message response NetFN in bits 2-7 (7 in this case)
9	C2	Checksum for the previous two bytes
10	C0	Responder IPMB address
11	BC	Requester LUN in bits 0-1 (0 in this case), Sequence number in bits 2-7 (2fh in this case).
12	01	Command, a Get Device ID response
13	00	message data
14	00	message data
15	00	message data
16	01	message data
17	05	message data
18	51	message data
19	29	message data
20	57	message data
21	01	message data
22	00	message data
23	00	message data
24	09	message data
25	01	message data
26	01	message data
27	00	message data
28	00	message data
29	94	Checksum for the entire message

That's it, the Send Message response contains all the data.

### Separate Send Message and IPMB responses

In this possibility, a Send Message response comes back with no data and the Send Message header data in the response header, then a separate message comes back with the IPMB parameters in the header. For instance, in the first message the source is the BMC, in the second message the source is the IPMB sender.

The following is the first message, the Send Message response, from this format:

Byte	Value	Description
0	81	Requester Address
1	1c	LAN Requester LUN in bits 0-1 (0 in this case), Send Message response NetFN in bits 2-7 (7 in this case)
2	63	Checksum for the previous two bytes
3	20	Responder Address

4	b8	Responder LUN in bits 0-1 (0 in this case), Sequence number in bits 2-7 (2eh in this case).
5	34	The command, a Send Message response in this case.
6	00	Completion code
7	f4	Checksum for the whole message.

The following is the second message, the IPMB response:

Byte	Value	Description
0	20	IPMB Destination address (the BMC's IPMB address)
1	1E	IPMB Requester LUN in bits 0-1 (2 in this case), Send Message response NetFN in bits 2-7 (7 in this case)
2	C2	Checksum for the previous two bytes
3	C0	Responder IPMB address
4	BC	Requester LUN in bits 0-1 (0 in this case), Sequence number in bits 2-7 (2fh in this case).
5	01	Command, a Get Device ID response
6	00	message data
7	00	message data
8	00	message data
9	01	message data
10	05	message data
11	51	message data
12	29	message data
13	57	message data
14	01	message data
15	00	message data
16	00	message data
17	09	message data
18	01	message data
19	01	message data
20	00	message data
21	00	message data
22	a0	Checksum for the whole message

Notice that in this second response, the destination address, LUNs, sequence numbers, etc. are from the IPMB message, not from the original LAN message.

### Separate Send Message and Translated responses

In this possibility, a Send Message response comes back with no data, then a separate message comes back with the data, but the data in the second message has the same header information as the first, with a different command. This could be inferred from the errata, but it makes things more difficult to track. For instance, if you encapsulated a Send Message command inside a Send Message, the second response would

have the same command number as the first, so it would be harder to tell the first response from the second. The first response for the Get Device ID would be:

Byte	Value	Description
0	81	Requester Address
1	1c	LAN Requester LUN in bits 0-1 (0 in this case), Send Message response NetFN in bits 2-7 (7 in this case)
2	63	Checksum for the previous two bytes
3	20	Responder Address
4	b8	Responder LUN in bits 0-1 (0 in this case), Sequence number in bits 2-7 (2eh in this case).
5	34	The command, a Send Message response in this case.
6	00	Completion code
7	f4	Checksum for the whole message.

This is the same as the previous example. However, the second response would be:

Byte	Value	Description
0	81	Requester Address
1	1c	LAN Requester LUN in bits 0-1 (0 in this case), Send Message response NetFN in bits 2-7 (7 in this case)
2	63	Checksum for the previous two bytes
3	20	Responder Address
4	b8	Responder LUN in bits 0-1 (0 in this case), Sequence number in bits 2-7 (2eh in this case).
5	01	Command, a Get Device ID response
6	00	IPMB completion code
7	00	message data
8	00	message data
9	01	message data
10	05	message data
11	51	message data
12	29	message data
13	57	message data
14	01	message data
15	00	message data
16	00	message data
17	09	message data
18	01	message data
19	01	message data
20	00	message data
21	00	message data
22	44	Checksum for the whole message

Notice that the header information, except for the command, is from the LAN header, not from the

IPMB header.

### 3.4.7 System Interface to LAN

TBD - write this, use the formats described in the send/receive message commands.

## 3.5 IPMB

IPMB provides the main channel for transferring messages around an IPMI system. It is a message bus that works somewhat like Ethernet, it is a CSMA (carrier-sense multiple access) system. It does check to see if another sender is transmitting before sending, and will wait for that sender to complete before starting to transmit. However, it does not have collision detection; so if two MCs attempt to transmit at the same time, both messages will be lost. Because of this, IPMB does not scale very well; careful use needs to be made of the bandwidth on the bus.

The format of an IPMB message of  $n$  bytes is:

0	Destination IPMB address
1	Bits 0-1 - Destination LUN Bits 2-7 - NetFN
2	Checksum for bytes 0-1
3	Source IPMB address
4	Bits 0-1 - Source LUN Bits 2-7 - Sequence Number
5	Command
6 .. n-2	Message Contents
n-1	Checksum for the whole message

Note that for commands, the “destination LUN” will be called the “responder LUN” and the “source LUN” will be called the “requester LUN.” For responses, the “destination LUN” will be called the “requester LUN” and the “source LUN” will be called the “responder LUN.” IPMB is a peer-to-peer protocol, but there is a strong master-slave sentiment in IPMI.

Unfortunately, IPMI does not have any type of routing handling or transparency of messages. To send a message out on the IPMB, you encapsulate the entire IPMB message in a *Send Message* command and send it over the proper channel.

Since IPMB can lose messages, the OpenIPMI device driver implements a resend mechanism on commands sent over IPMB; if a response is not seen within a given period of time, the command will be resent. This will be done a few times before an error is returned.

### 3.5.1 IPMB Broadcast

One special type of message is the broadcast IPMB message. This message is exactly like a normal IPMB message, but it has a 0 byte prepended to the message. This can only be a *Get Device Id* command. It is used to discover management controllers in the system. Broadcast is a really bad name, because it will not actually broadcast, it will go to the IPMB address is the second byte of the message. This is used for discovery because it will not have any effect on I<sup>2</sup>C devices on the bus, but IPMI devices will do a normal



response.

Many IPMI systems do not correctly implement broadcast; it seems to be an oft ignored part of the spec.

### 3.5.2 OpenIPMI and IPMB

The OpenIPMI driver and library handle the details of IPMB for the user. To send a message over IPMB, the user create and OpenIPMI IPMB address as described in section3.14 and sends a normal OpenIPMI message. The library and driver take care of selecting the sequence numbers, formatting the messages, tracking and decoding the response, and resending messages.

## 3.6 ICMB

TBD - write this.

## 3.7 SMBus

TBD - write this.

## 3.8 Session Support

TBD - write this.

## 3.9 LAN

The IPMI LAN interface allows users to connect to IPMI systems over an Ethernet interface. This can generally even be done when the system is turned off, although it probably has to be plugged in. This lets you do things like power control the system and reset the main processor even when the operating system is not operational on the system.

The IPMI LAN protocol runs over a subset of the Remote Management Control Protocol (RMCP) protocol. RMCP is defined in RMCP[1].

The IPMI LAN is not well defined in the spec. Many valid interpretations of the spec were possible. Some errata has been issued, but that really only added one more possible interpretation. OpenIPMI implements the three different common interpretations of the spec. They can interwork seamlessly, so it is not a problem.

TBD - describe the protocol in detail.

### 3.9.1 LAN Configuration

Most systems have tools to configure the IPMI LAN interface. IPMI has a built-in way to do this, too, through a set of tables.

#### LAN Configuration Commands

To set up the LAN configuration table, the command shown in table 3.14 is used to set parameters.

## Request

0	Bits 0-3 - Channel Number Bits 4-7 - reserved
1	Parameter Selector. This selects the entry in the table that you want to set.
2-n	The data for the parameter. You must look up the entry in table 3.16 for the exact contents, it depends on which entry you are setting.

## Response

0	Completion code. Standard completion codes, plus: 80h - Parameter not supported 81h - Attempt to set the “set in progress’ value (parm 0) when the parameter is not in the free (set complete) state. 82h - Attempt to write a read-only parameter.
---	--

Table 3.14: Set LAN Configuration Parameters Command, NetFN Transport (0Ch), Cmd 01h

Table 3.15 shows the command used to get LAN parameters.

## Request

0	Bits 0-3 - Channel Number Bits 4-6 - reserved Bit 7 - If 1, only get parameter revision
1	Parameter Selector. This selects the entry in the table that you want to get.
2	Set Selector. Some parameters are in an array, this tells which array element to set. Set to zero if the parameter does not have a set selector.
3	Block Selector. Some parameters have two levels of arrays (an array inside of the array). The Set Selector is the first level array specifier, this is the second level. No standard LAN parameters use this, although OEM ones might. Set to zero if the parameter does not have a block selector.

## Response

0	Completion code. Standard codes, plus: 80h - parameter not supported
1	Parameter revision. Format is: Bits 0-3 - Oldest revision parameter is backward compatible with Bits 4-7 - Current parameter revision
2-n	Parameter data. This will not be present if bit 7 of byte 0 of the response is set to 1. The contents of this depends on the particular parameter being fetched, see table 3.16 for the parameters.

Table 3.15: Get LAN Configuration Parameters Command, NetFN Transport (0Ch), Cmd 02h

### The LAN Configuration Table

The LAN Configuration table has an unusual locking mechanism (although it is usual for IPMI). Parameter zero is a lock. If you set the value to one, it will only succeed if the value is zero. Thus, to lock the table, you

set the value to one until it succeeds. You then set it to zero when you are done. This locking mechanism leads to problem if the locker dies while it holds the lock, so you probably need some way to override the lock if this happens. The lock does not actually keep anyone from changing the data, it is simply a common mechanism to mutual exclusion. Note also that the lock has a “commit” mechanism, writing two to the lock will commit the contents if the system supports it. If the system supports rollback, setting the value to zero will rollback and not commit the changes you made. So for correctness, you should write a two when you are complete, and if that fails then write a zero.

All network parameters such as IP address, port, and MAC address are in network order, also called big endian or most significant byte first. Unless marked “volatile”, all of these will survive removal of power.

Table 3.16: LAN Configuration Parameters

Parameter	#	Description
Set In Progress (volatile)	0	Used to indicate that the parameters are being updated. Bits 2-7 are reserved. Bits 0-1 have the following values: <b>00b</b> - set complete. This is the state the system comes up in. This means that any user is finished updating the parameters. If roll-back is implemented, setting this value will cause any changes made since last setting this value to “set in progress” to be undone. <b>01b</b> - set in progress. A user will set this value to inform others that it is updating these parameters. This value can only be set if the current value is “set complete”. <b>10b</b> - commit write (optional). This will commit any changes that are pending and go to “set complete” state. Some systems may not support this, if setting this returns an error you should set this value to “set complete” by hand.
Authentication Type Support (Read only)	1	A read only field showing which authentication types are supported. The format for this is defined in table 3.31.
Authentication Type Enables	2	A 5 byte field that holds the allowed authentication type for each privilege level. The bytes are: <b>byte 0</b> - callback <b>byte 1</b> - user <b>byte 2</b> - operator <b>byte 3</b> - admin <b>byte 4</b> - oem The format for each byte is defined in table 3.31.
IP Address	3	A 4 byte field holding the IP address, in network order. This is the local IP address used for this particular channel. You only need to set this is parameter 4 is set to “static address”.

Table 3.16: LAN Configuration Parameters

Parameter	#	Description
IP Address Source	4	One byte field telling the BMC where to get its IP address. Bits 4-7 are reserved. Values for bits 0-3 are: <b>0</b> - unspecified (I don't know what that means) <b>1</b> - static address, configured from parameter 3 <b>2</b> - get address from DHCP <b>3</b> - get address from BIOS or system software <b>4</b> - get address by some other method As you probably can tell, static address and DHCP are really the only useful values.
MAC Address	5	A 6 byte field. This is the Ethernet Media Access Code? (MAC) address to use as the source when transmitting packets, in network order. You must set this value properly.
Subnet Mask	6	A 4 byte field holding the subnet mask for the IP connection, in network order.
IPv4 Header Parm	7	A 3 byte field controlling some parameters in the IP header. The bytes are: <b>byte 0</b> - time to live (default 40h) - The number of network hops allowed for IP packets sent by the BMC. <b>byte 1 bits 0-4</b> - reserved <b>bits 5-7</b> - flags. Sets the of the flags field in the IP header. The default value is 010b, or do not fragment. <b>byte 2</b> This is the setting of the 8-bit type of service field in the IP header. Only one of bits 1-4 should be set. <b>bit 0</b> - unused, set to zero. <b>bit 1</b> - minimize monetary cost <b>bit 2</b> - maximize reliability <b>bit 3</b> - maximize throughput <b>bit 4</b> - minimize delay <b>bits 5-7</b> - Precedence, which is unused by IP systems now. The default value is 00010000b.
Primary RMCP port number (optional)	8	A 2 byte field holding the UDP port number to use for primary RMCP. Default value is 623.
Secondary RMCP port number (optional)	9	A 2 byte field holding the UDP port number to use for the secure aux bus RMCP port. IPMI does not use this, but it is here for completeness. Default value is 664.

Table 3.16: LAN Configuration Parameters

Parameter	#	Description
BMC-generated ARP control (optional)	10	A 1 byte field controlling how the BMC generates ARPs. If a user attempts to set an unsupported field, the BMC will return an error. The bits are: <b>bit 0</b> - set to 1 to enable BMC generated gratuitous ARPs. <b>bit 1</b> - set to 1 to enable BMC generated ARP responses. <b>bits 2-7</b> - reserved
Gratuitous ARP interval (optional)	11	A one byte field holding the interval between gratuitous ARPs. The interval is specified in 500 millisecond increments, with a 10% accuracy. If this is not implemented, the interval will be 2 seconds.
Default gateway address	12	A 4 byte field holding the IP address of the default gateway, in network order. The BMC will send packets to this address if the destination is not on its subnet, if this gateway is chosen as the gateway to use.
Default gateway MAC address	13	A 6 byte field holding the Ethernet MAC address to use in the destination when sending packets to the default gateway.
Backup gateway address	14	A 4 byte field holding the IP address of the backup gateway, in network order. The BMC will send packets to this address if the destination is not on its subnet, if this gateway is chosen as the gateway to use.
Backup gateway MAC address	15	A 6 byte field holding the Ethernet MAC address to use in the destination when sending packets to the backup gateway.
Community String	16	An 18 byte field holding the SNMP community string to use in traps send by the BMC. The default is "public".
Number of Destinations (read only)	17	The number of entries in the destination type and destination address tables in parameters 18 and 19.

Table 3.16: LAN Configuration Parameters

Parameter	#	Description
Destination type	18	<p>This is an array of destination types, each 4 bytes long. The first byte in bits 0-3 is the index into the array, you put the index here when you set the value, and that index gets set. This index comes from the alert policy entry destination field defined in table 3.38. Destination 0 is special and used by the Alert Immediate command as described in section 3.13.5. The fields are:</p> <p><b>byte 0 bits 0-3</b> - The index into the array  <b>bits 4-7</b> - reserved</p> <p><b>byte 1</b> The destination type. The bits are:  <b>bits 0-2</b> - Destination type, values are:  <b>000b</b> - PET Trap  <b>001b-101b</b> - reserved  <b>110b</b> - OEM 1  <b>111b</b> - OEM 1  <b>bits 3-6</b> - reserved  <b>bit 7</b> - If zero, the alert does not need to be acknowledged to be considered successful. If 1, the alert needs to be acknowledged with a PET Acknowledge Command as defined in table 3.35.</p> <p><b>byte 2</b> PET Retry Time. This specified the amount of time between resends when waiting for an acknowledge of the sent trap.</p> <p><b>byte 3</b> Max PET Retries.  <b>bits 0-2</b> - The maximum number of retries of a trap before giving up.  <b>bits 3-7</b> - reserved</p>

Table 3.16: LAN Configuration Parameters

Parameter	#	Description
Destination address	19	<p>This is an array of destination address, each 13 bytes long. The first byte in bits 0-3 is the index into the array, you put the index here when you set the value, and that index gets set. This index comes from the alert policy entry destination field defined in table 3.38. Destination 0 is special and used by the Alert Immediate command as described in section 3.13.5. The fields are:</p> <p><b>byte 0 bits 0-3</b> - The index into the array  <b>bits 4-7</b> - reserved</p> <p><b>byte 1</b> The address format:  <b>bits 0-3</b> - The address type, 0h is the only valid value, specifying IP.  <b>bits 4-7</b> - reserved</p> <p><b>byte 2</b> Gateway selector  <b>bit 0 0</b> - use the default gateway  <b>0</b> - use the backup gateway  <b>bits 1-7</b> - reserved</p> <p><b>bytes 3-6</b> The IP address to send the alert to when using this destination, in network order.</p> <p><b>bytes 7-12</b> The Ethernet MAC address to send the alert to when using this destination, in network order.</p>
OEM	192+	Parameters 192 to 255 are OEM parameters. The rest of the parameters are reserved.

### 3.9.2 ARP control

TBD - write this, include command, talk about config table entries.

### 3.9.3 LAN Messaging

TBD - write this, describe the formatting of LAN messages

### 3.9.4 OpenIPMI LAN Configuration

OpenIPMI has some support for handling the LAN configuration. This is defined in the `ipmi_lanparm.h` include file; it has all the details on how to use this.

To configure the LAN parameters for a BMC, you must first allocate a `lanparm` structure with:

```
int ipmi_lanparm_alloc(ipmi_mc_t      *mc,
                     unsigned int    channel,
                     ipmi_lanparm_t **new_lanparm);
```

The channel is the IPMI channel number of the LAN port you are configuring. Generally, if a server has more than one port, it will have a separate channel for each port, you will have to find the channel numbers from the manufacturer, although channels 6 and 7 are commonly used as the LAN channels.

Once you have a `lanparm` structure, you can get and set individual parms assuming you follow all the rules associated with the configuration table. However, there is a much easier way that OpenIPMI provides. After you have allocated a `lanparm` structure these, the function:

```
typedef void (*ipmi_lan_get_config_cb)(ipmi_lanparm_t    *lanparm,
                                      int                err,
                                      ipmi_lan_config_t *config,
                                      void               *cb_data);

int ipmi_lan_get_config(ipmi_lanparm_t    *lanparm,
                       ipmi_lan_get_config_cb done,
                       void               *cb_data);
```

will fetch the full current configuration. Note that when you call this, you will be holding a lock if it succeeds. You must release the lock when you are done, or no one else will be able to change the configuration unless they forcefully remove your lock.

At this point, you can change the value in the `config` structure. But those changes are only local. When you have complete making the changes, you must commit them back to the BMC. To do this, call:

```
int ipmi_lan_set_config(ipmi_lanparm_t    *lanparm,
                       ipmi_lan_config_t *config,
                       ipmi_lanparm_done_cb done,
                       void               *cb_data);
```

After this point in time, the `config` cannot be used for future set operation, because it has been committed. You must re-read it to modify parameters again.

If you do not wish to modify the configuration, you still need to clear the lock. Do that with:

```
int ipmi_lan_clear_lock(ipmi_lanparm_t    *lanparm,
                       ipmi_lan_config_t *config,
                       ipmi_lanparm_done_cb done,
                       void               *cb_data);
```

Once you are done with the `config` structure, you must free it with:

```
void ipmi_lan_free_config(ipmi_lan_config_t *config);
```

When you are done with a `lanparm` structure, you must free it with:

```
int ipmi_lanparm_destroy(ipmi_lanparm_t    *lanparm,
                        ipmi_lanparm_done_cb handler,
                        void               *cb_data);
```

If the `lanparm` structure currently has operations pending on it, the destroy will be delayed until those operations are complete. The handler will be called when the actual destroy takes place.

### 3.9.5 The OpenIPMI LAN Interface

The LAN interface is complicated, but OpenIPMI handles most of the details for the user. A single function sets up the interface. Unfortunately, that function takes a huge number of parameters due to the large number of things required to configure a IPMI LAN connection. The function is:



```
int ipmi_ip_setup_con(char          * const ip_addrs[],
                    char          * const ports[],
                    unsigned int  num_ip_addrs,
                    unsigned int  authtype,
                    unsigned int  privilege,
                    void          *username,
                    unsigned int  username_len,
                    void          *password,
                    unsigned int  password_len,
                    os_handler_t  *handlers,
                    void          *user_data,
                    ipmi_con_t    **new_con);
```

The parameters are:

**ip\_addrs** An array of IP addresses. Each IP address must be an address that connects to the exact same management controller. If you need connections to multiple management controllers, you must set up two different connections and use multiple connections in the domain.

**ports** An array of UDP ports for each IP address. This is defined as 623 in the IPMI spec, but is here for flexibility.

**num\_ip\_addrs** The number of IP addresses and ports.

**authtype** The authentication type to use for the connection. Table 3.30 describes the different authentication types.

**privilege** The privilege level to connect at. Table 3.18 describes the different privilege levels.

**username** The username to connect as. See section 3.11 for details on users.

**username\_len** The length of the username. Required because usernames can be binary and contain zeros.

**password** The password for the user. See section 3.11 for details on users.

**password\_len** The length of the password. Required because usernames can be binary and contain zeros.

**handlers** The OS handler to use for this domain. See section 2.2.2 for more details.

**user\_data** This is a field that will be put into the connection data structure of the same name. This is for user use and OpenIPMI will not use it.

**new\_con** The new connection is returned in this field.

Once you have a connection, it works like a normal connection as defined in section 3.1.

## 3.10 Serial

TBD - OpenIPMI does not support serial interfaces, but this needs to be written someday.

IPMI_PRIVILEGE_CALLBACK (1)	The user is only allowed to request that the IPMI system call back home.
IPMI_PRIVILEGE_USER (2)	A “read-only” user. The user can look at system state, but not change anything. For instance, the user can fetch SEL entries, but not delete them.
IPMI_PRIVILEGE_OPERATOR (3)	This user can do everything but configuration commands. For instance, they can clear the SEL and configure sensors, but they cannot add users or configure LAN parameters.
IPMI_PRIVILEGE_ADMIN (4)	This user can do pretty much anything on an IPMI system.
IPMI_PRIVILEGE_OEM (5)	Undefined by the spec, it’s whatever the OEM wants.

Table 3.18: Privilege levels in IPMI

### 3.10.1 Serial Configuration

### 3.10.2 Direct Serial

### 3.10.3 Terminal Mode

### 3.10.4 Serial over PPP

Table 3.17: Serial Configuration Parameters

Parameter	#	Description
-----------	---	-------------

## 3.11 User Management

IPMI uses users for access control on IPMI systems with LAN or serial interfaces. The local system interface has no access controls, but the more external interfaces require authentication to be able to use the interface. Users may be able to authenticate links and send and receive IPMI messages.

Users have a defined maximum privilege level. They may not negotiate a connection with a higher privilege level than that. The privilege levels are defined in table 3.18 and they affect what messages the system will accept from the user. In addition to that, the user may be restricted to only work in a callback session.

The systems have two ways of identifying users: by number and by name. A BMC will have a set of users (up to 63, but the BMC may have a lower limit) indexed by number. User 0 is reserved. User 1 is a special user that is defined to not have a name. This provides a simple but insecure way to access the system, especially if user 1 does not have a password. All the other user numbers may be assigned names. The name is used for system authentication.

Users may have passwords assigned to them. If no password is assigned, then an empty password is able to authenticate the user. The passwords are used to authenticate the link and the messages.

The user number, name, password and enable are global for all channels in an BMC. The link/message authentication enables are done per-channel.

### 3.11.1 User management in OpenIPMI

Enabling a user is a complicated process. The user must have a name and password assigned. It must be set with the proper authentication enables. Then it must be enabled with a separate enable command.

Fortunately, OpenIPMI handles a lot of this process for you. The functions are found in the `ipmi_user.h` include file. You may get a list of users (or a specific user in a one-user list) with the command:

```
typedef void (*ipmi_user_list_cb)(ipmi_mc_t      *mc,
                                  int            err,
                                  ipmi_user_list_t *list,
                                  void          *cb_data);

#define IPMI_MC_ALL_USERS      0
int ipmi_mc_get_users(ipmi_mc_t      *mc,
                     unsigned int    channel,
                     unsigned int    user,
                     ipmi_user_list_cb handler,
                     void            *cb_data);
```

Using `IPMI_MC_ALL_USERS` will fetch all users, otherwise the user specified will be used. The channel-specific information will be fetched for only the given channel.

Once you have the list, you can fetch information from the list:

```
int ipmi_user_list_get_channel(ipmi_user_list_t *list, unsigned int *channel);
int ipmi_user_list_get_max_user(ipmi_user_list_t *list, unsigned int *max);
int ipmi_user_list_get_enabled_users(ipmi_user_list_t *list, unsigned int *e);
int ipmi_user_list_get_fixed_users(ipmi_user_list_t *list, unsigned int *f);
```

You can also fetch individual users from the user list. Note that if you fetch a user this way, you must free it with `ipmi_user_free()`.

```
unsigned int ipmi_user_list_get_user_count(ipmi_user_list_t *users);
ipmi_user_t *ipmi_user_list_get_user(ipmi_user_list_t *list,
                                     unsigned int      idx);
```

Once you fetch a user, you can get information from it. You can also set information for the user. This only sets the local copy, it must be written out into the real data to activate it on the BMC.

```
int ipmi_user_get_channel(ipmi_user_t *user, unsigned int *channel);

/*
 * Get/set the number for the user.
 */
int ipmi_user_get_num(ipmi_user_t *user, unsigned int *num);
int ipmi_user_set_num(ipmi_user_t *user, unsigned int num);

/*
 * Get/set the name for the user. When getting the name, the pointer
 * to "len" should point to a value of the length of "name". "len"
 * will be updated to the actual number of characters copied. The
```

```

* password set is for 16-byte passwords, the password2 is for 20-byte
* passwords.
*/
int ipmi_user_get_name_len(ipmi_user_t *user, unsigned int *len);
int ipmi_user_get_name(ipmi_user_t *user, char *name, unsigned int *len);
int ipmi_user_set_name(ipmi_user_t *user, char *name, unsigned int len);
int ipmi_user_set_password(ipmi_user_t *user, char *pw, unsigned int len);
int ipmi_user_set_password2(ipmi_user_t *user, char *pw, unsigned int len);

/*
* Various bits of information about a user, this is per-channel.
*/
int ipmi_user_get_link_auth_enabled(ipmi_user_t *user, unsigned int *val);
int ipmi_user_set_link_auth_enabled(ipmi_user_t *user, unsigned int val);
int ipmi_user_get_msg_auth_enabled(ipmi_user_t *user, unsigned int *val);
int ipmi_user_set_msg_auth_enabled(ipmi_user_t *user, unsigned int val);
int ipmi_user_get_access_cb_only(ipmi_user_t *user, unsigned int *val);
int ipmi_user_set_access_cb_only(ipmi_user_t *user, unsigned int val);
int ipmi_user_get_privilege_limit(ipmi_user_t *user, unsigned int *val);
int ipmi_user_set_privilege_limit(ipmi_user_t *user, unsigned int val);
int ipmi_user_get_session_limit(ipmi_user_t *user, unsigned int *val);
int ipmi_user_set_session_limit(ipmi_user_t *user, unsigned int val);

/*
* The enable for the user. Note that the enable value cannot be
* fetched and will return an error unless set.
*/
int ipmi_user_get_enable(ipmi_user_t *user, unsigned int *val);
int ipmi_user_set_enable(ipmi_user_t *user, unsigned int val);

```

To actually set the user information on the BMC, the following command can be used:

```

int ipmi_mc_set_user(ipmi_mc_t      *mc,
                    unsigned int    channel,
                    unsigned int    num,
                    ipmi_user_t     *user,
                    ipmi_mc_done_cb handler,
                    void             *cb_data);

```

Note that OpenIPMI keeps track of what has changed in the user and will only write out the changed information. If you wish to rewrite all information in the user (like if you want to write the same information to a new user number) you can call `ipmi_user_set_all()` with the user to set the changed bits for all items. Then you can write the user out.

### 3.11.2 User management commands

Table 3.19 on the facing page shows the command used to set the enables for the user (this is not the same as the user enable). These are all per-channel.

## Request

0	Sets various controls for the user on the channel: <b>bits 0-3</b> - channel number <b>bit 4</b> - Enable IPMI messaging for the user. If this is not set, the user may not send IPMI messages. <b>bit 5</b> - Enable link authentication for the user. If this is not set, the user may not authenticate a link. <b>bit 6</b> - User restricted to callback only. If this is set, the user is restricted to callback authentication in non-callback situations. In a callback situation, the privilege level is determined by the normal setting. <b>bit 7</b> - If this is 1, modify the fields in this byte. If this is 0, the fields in this byte are ignored.
1	User ID: <b>bits 0-5</b> - User number <b>bits 6-7</b> - reserved
2	User limits <b>bits 0-3</b> - The privilege level, as defined in table 3.18 on page 54. Putting a value of Fh in this field will disable access to this channel for the user. <b>bits 4-7</b> - reserved.
(3)	User session limit - optional byte <b>bits 0-3</b> - The user session limit. If set to 0, then the limit is the channel's session limit. There does not appear to be any way to read this value, so it is a "write only" parameter. <b>bits 4-7</b> - reserved

## Response

0	Completion Code
---	-----------------

Table 3.19: Set User Access Command, NetFN S/E (06h), Cmd 43h

To fetch the channel information for a user, use the command shown in table 3.20 on the following page.

## Request

0	<b>bits 0-3</b> - channel number <b>bits 4-7</b> - reserved
1	<b>bits 0-5</b> - User number <b>bits 6-7</b> - reserved

## Response

0	Completion Code
1	<b>bits 0-5</b> - Maximum number of user ids available. If this is 1, then only user 1 is supported. <b>bits 6-7</b> - reserved
2	<b>bits 0-5</b> - Number of enabled user ids. <b>bits 6-7</b> - reserved

3	<b>bits 0-5</b> - Count of user ids with fixed names (that cannot be changed with the set user name command). This includes user 1 and must be sequential starting with user 2. <b>bits 6-7</b> - reserved
1	Various controls for the user on the channel: <b>bits 0-3</b> - User privilege limit. <b>bit 4</b> - IPMI messaging enabled for the user. If this is not set, the user may not send IPMI messages. <b>bit 5</b> - Link authentication enabled for the user. If this is not set, the user may not authenticate a link. <b>bits 6</b> - User restricted to callback only. If this is set, the user is restricted to callback authentication in non-callback situations. In a callback situation, the privilege level is determined by the normal setting. <b>bits 7</b> - If reserved.

Table 3.20: Get User Access Command, NetFN S/E (06h), Cmd 44h

The user name is set using the command defined in table 3.21 and the name can be fetched with the command defined in table 3.22.

Request

0	User ID: <b>bits 0-5</b> - User number <b>bits 6-7</b> - reserved
1-16	User name - These bytes are ASCII-encoded bytes that define the name of the user.

Response

0	Completion Code
---	-----------------

Table 3.21: Set User Name Command, NetFN S/E (06h), Cmd 45h

Request

0	User ID: <b>bits 0-5</b> - User number <b>bits 6-7</b> - reserved
---	---

Response

0	Completion Code
1-16	User name - These bytes are ASCII-encoded bytes that define the name of the user.

Table 3.22: Get User Name Command, NetFN S/E (06h), Cmd 46h

The Set User Password command defined in table 3.23 on the next page sets the password and also enables and disables the user with a different mode of the command. Obviously, there is no way to get the password, but unfortunately, there is no way to get the enable value, either. Passwords for the IPMI 1.5

authentication are 16-bytes long. Passwords for RMCP+ may be either 16 or 20 bytes long. You may set a 20-byte password for a user, but then that user may not be used for IPMI 1.5 authentication, only for RMCP+ authentication.

Request	
0	User ID: <b>bits 0-5</b> - User number <b>bit 6</b> - If this is 0, then use 16-byte passwords. If this is 1, then use 20-byte passwords. <b>bit 7</b> - reserved
1	<b>bits 0-1</b> - Operation: <b>00b</b> - disable the user. <b>01b</b> - enable the user. <b>10b</b> - set the password to the value in this command. <b>11b</b> - test the password in this command and return an error code if it is incorrect. <b>bits 2-7</b> - reserved
2-17/20	Password - These bytes are ASCII-encoded bytes that define the name of the user. This is only present for the set and test password operations.
Response	
0	Completion Code. Special values are: <b>80h</b> - Password test failed <b>81h</b> - Password was the wrong length

Table 3.23: Set User Password Command, NetFN S/E (06h), Cmd 45h

## 3.12 Channel Configuration

The channels on an IPMI system are controlled with a channel setting command. In addition, channel information is available.

Channels are numbered 0-7 and Fh. Channel 0 is generally IPMB. Channels 1-7 are used for other IPMB channels, LAN interfaces, serial interfaces, and whatnot. Channel Fh is used for the system interface.

If you specify channel Eh in a command, it will use the channel the command came from; any returned channel number will be the actual channel number of the channel. This can be used to discover the channel number of the current channel.

The channel information contains the channel type, protocol, and other detailed information about the channel.

The channel access allows control of how the channel works. It allows alerting to be enabled, it controls whether user and per-message authentication are required for the channel, it controls when the channel is available and the privilege limit of the channel. Channel access has two separate areas to store the information, a volatile area and a non-volatile area. The volatile area is the area that is used in normal operation, setting that modified behaviour immediately. This area is lost if power is lost to the system. The system loads the volatile area from the non-volatile area at startup. The areas are set separately.

In addition to this, LAN interfaces have specific configuration information as defined in section 3.9.1 on page 45 and serial interfaces have their own information as defined in section 3.10.1 on page 54.

### 3.12.1 Channel handling in OpenIPMI

#### Channel Information

OpenIPMI allows the user to get channel information with the following command:

```
typedef struct ipmi_channel_info_s ipmi_channel_info_t;
typedef void (*ipmi_channel_info_cb)(ipmi_mc_t      *mc,
                                     int            err,
                                     ipmi_channel_info_t *info,
                                     void           *cb_data);

int ipmi_mc_channel_get_info(ipmi_mc_t      *mc,
                             unsigned int   channel,
                             ipmi_channel_info_cb handler,
                             void           *cb_data);
```

The callback gets a channel information structure which can be accessed with the following functions:

```
int ipmi_channel_info_get_channel(ipmi_channel_info_t *info,
                                 unsigned int        *channel);
int ipmi_channel_info_get_medium(ipmi_channel_info_t *info,
                                 unsigned int        *medium);
int ipmi_channel_info_get_protocol_type(ipmi_channel_info_t *info,
                                       unsigned int    *prot_type);

int ipmi_channel_info_get_session_support(ipmi_channel_info_t *info,
                                       unsigned int    *sup);

/* Data is 3 bytes long */
int ipmi_channel_info_get_vendor_id(ipmi_channel_info_t *info,
                                   unsigned char       *data);

/* Data is 2 bytes long */
int ipmi_channel_info_get_aux_info(ipmi_channel_info_t *info,
                                   unsigned char       *data);
```

Table 3.24 on the facing page describes the channel mediums defined in OpenIPMI. Table 3.25 on the next page describes the channel protocol types. Table 3.26 on the facing page describes the channel session support settings.

#### Channel Access

Channels have access controls that define who may use them, privilege limits, and other things of that nature. These are available to be fetched and set with OpenIPMI functions:

```
typedef struct ipmi_channel_access_s ipmi_channel_access_t;
typedef void (*ipmi_channel_access_cb)(ipmi_mc_t      *mc,
                                       int            err,
                                       ipmi_channel_access_t *info,
                                       void           *cb_data);

int ipmi_mc_channel_get_access(ipmi_mc_t      *mc,
```



IPMI_CHANNEL_MEDIUM_IPMB (1)	
IPMI_CHANNEL_MEDIUM_ICMB_V10 (2)	
IPMI_CHANNEL_MEDIUM_ICMB_V09 (3)	
IPMI_CHANNEL_MEDIUM_8023_LAN (4)	
IPMI_CHANNEL_MEDIUM_RS232 (5)	
IPMI_CHANNEL_MEDIUM_OTHER_LAN (6)	
IPMI_CHANNEL_MEDIUM_PCI_SMBUS (7)	
IPMI_CHANNEL_MEDIUM_SMBUS_v1 (8)	
IPMI_CHANNEL_MEDIUM_SMBUS_v2 (9)	
IPMI_CHANNEL_MEDIUM_USB_v1 (10)	
IPMI_CHANNEL_MEDIUM_USB_v2 (11)	
IPMI_CHANNEL_MEDIUM_SYS_INTF (12)	

Table 3.24: Channel mediums in IPMI

IPMI_CHANNEL_PROTOCOL_IPMB (1)	
IPMI_CHANNEL_PROTOCOL_ICMB (2)	
IPMI_CHANNEL_PROTOCOL_SMBus (4)	
IPMI_CHANNEL_PROTOCOL_KCS (5)	
IPMI_CHANNEL_PROTOCOL_SMIC (6)	
IPMI_CHANNEL_PROTOCOL_BT_v10 (7)	
IPMI_CHANNEL_PROTOCOL_BT_v15 (8)	
IPMI_CHANNEL_PROTOCOL_TMODE (9)	

Table 3.25: Protocol types in IPMI

IPMI_CHANNEL_SESSION_LESS (0)	
IPMI_CHANNEL_SINGLE_SESSION (1)	
IPMI_CHANNEL_MULTI_SESSION (2)	
IPMI_CHANNEL_SESSION_BASED (3)	

Table 3.26: Session support in IPMI

IPMI_CHANNEL_ACCESS_MODE_DISABLED (0)	Channel is never available.
IPMI_CHANNEL_ACCESS_MODE_PRE_BOOT (1)	Channel is only available when the firmware is running, not when an OS is running.
IPMI_CHANNEL_ACCESS_MODE_ALWAYS (2)	Channel is always available.
IPMI_CHANNEL_ACCESS_MODE_SHARED (3)	Channel is always available for multiple simultaneous users.

Table 3.27: Channel access modes in IPMI

```

        unsigned int      channel,
        enum ipmi_set_dest_e dest,
        ipmi_channel_access_cb handler,
        void              *cb_data);
int ipmi_mc_channel_set_access(ipmi_mc_t      *mc,
        unsigned int      channel,
        enum ipmi_set_dest_e dest,
        ipmi_channel_access_t *access,
        ipmi_mc_done_cb   handler,
        void              *cb_data);

```

Once you have a channel access type, you can get/set information in it with the following functions:

```

int ipmi_channel_access_get_channel(ipmi_channel_access_t *access,
        unsigned int      *channel);
int ipmi_channel_access_get_alerting_enabled(ipmi_channel_access_t *access,
        unsigned int      *enab);
int ipmi_channel_access_set_alerting_enabled(ipmi_channel_access_t *access,
        unsigned int      enab);
int ipmi_channel_access_get_per_msg_auth(ipmi_channel_access_t *access,
        unsigned int      *msg_auth);
int ipmi_channel_access_set_per_msg_auth(ipmi_channel_access_t *access,
        unsigned int      msg_auth);
int ipmi_channel_access_get_user_auth(ipmi_channel_access_t *access,
        unsigned int      *user_auth);
int ipmi_channel_access_set_user_auth(ipmi_channel_access_t *access,
        unsigned int      user_auth);
int ipmi_channel_access_get_access_mode(ipmi_channel_access_t *access,
        unsigned int      *access_mode);
int ipmi_channel_access_set_access_mode(ipmi_channel_access_t *access,
        unsigned int      access_mode);
int ipmi_channel_access_get_priv_limit(ipmi_channel_access_t *access,
        unsigned int      *priv_limit);
int ipmi_channel_access_set_priv_limit(ipmi_channel_access_t *access,
        unsigned int      priv_limit);

```

Table 3.18 on page 54 gives the privilege levels that the privilege limits used in this command. Table 3.27 gives the modes the channel can run in. Note that not all channel types can support all modes.

Note that OpenIPMI tracks what has changed in the channel access and only writes out the changed information. If you wish to force all data to be rewritten, you may use the `ipmi_channel_access_setall()` function to mark all data as changed.

### 3.12.2 Channel handling commands

Table 3.3 on page 37 gives the command used to fetch the channel information.

Channel access is fetched and written with the commands defined in table 3.28 and table 3.29 on the next page.

Request

0	<b>bits 0-3</b> - Channel <b>bits 4-7</b> - reserved
1	<b>bits 0-2</b> - Set the channel access mode per table 3.27 on the facing page <b>bit 3</b> - If 1, require authentication for user-level command. Otherwise authentication is not required for user-level commands. Note that this has no effect on operator or admin level commands. <b>bit 4</b> - If 1, require per-message authentication. If 0, no authentication is required per-message. Note that if this is 0, a session must still be established, but subsequent messages after session establishment do not require authentication. <b>bit 5</b> - Enable or diable PEF alerting on the channel. Note that if this is 0 (disabled) alert immediate still works. <b>bits 6-7</b> - Operation: <b>00b</b> - Do not modify the values specified in the rest of this byte. <b>01b</b> - Set the non-volatile area <b>10b</b> - Set the volatile area. <b>11b</b> - reserved
2	<b>bits 0-3</b> - Set the privilege limit for the channel per table 3.18 on page 54. <b>bits 4-5</b> - reserved <b>bits 6-7</b> - Operation: <b>00b</b> - Do not modify the values specified in the rest of this byte. <b>01b</b> - Set the non-volatile area <b>10b</b> - Set the volatile area. <b>11b</b> - reserved

Response

0	Completion Code
---	-----------------

Table 3.28: Set Channel Access Command, NetFN S/E (06h), Cmd 40h

Request

0	<b>bits 0-3</b> - Channel <b>bits 4-7</b> - reserved
---	---

IPMI_AUTHTYPE_NONE	No authentication.
IPMI_AUTHTYPE_MD2	MD2 style authentication.
IPMI_AUTHTYPE_MD5	MD5 style authentication. This is the recommended type of authentication.
IPMI_AUTHTYPE_STRAIGHT	Puts the password into the message in plain text. Don't use this.

Table 3.30: Authentication types in IPMI

0	no authentication
1	MD2 authentication
2	MD5 authentication
3	reserved
4	straight password authentication
5	OEM authentication
6-7	reserved

Table 3.31: Authentication bitmask often used in IPMI

1	<b>bits 0-5</b> - reserved <b>00b</b> - reserved <b>01b</b> - Get the non-volatile area <b>10b</b> - Get the volatile area. <b>11b</b> - reserved
Response	
0	Completion Code. The following special return codes are defined: <b>82h</b> - The channel is session-less thus does not support this command.
1	<b>bits 0-2</b> - The channel access mode per table 3.27 on page 62 <b>bit 3</b> - If 1, require authentication for user-level command. Otherwise authentication is not required for user-level commands. Note that this has no effect on operator or admin level commands. <b>bit 4</b> - If 1, require per-message authentication. If 0, no authentication is required per-message. Note that if this is 0, a session must still be established, but subsequent messages after session establishment do not require authentication. <b>bit 5</b> - Enable or diable PEF alerting on the channel. Note that if this is 0 (disabled) alert immediate still works. <b>bits 6-7</b> - reserved
2	<b>bits 0-3</b> - The privilege limit for the channel per table 3.18 on page 54. <b>bits 4-7</b> - reserved

Table 3.29: Get Channel Access Command, NetFN S/E (06h), Cmd 41h

### 3.12.3 Channel Authentication

## 3.13 The PEF Table and SNMP Traps

Many IPMI systems can specify that certain operations be done when an event comes in. This can depend on the event's contents; different actions can be done for different sets of events. This is done with the Platform Event Filter (PEF) configuration. Not all IPMI systems can do event filtering, but ones that do will work as this section describes.

The PEF configuration allows several different actions to be performed when an IPMI event comes in (or when the BMC powers up and there are pending events in its event queue). Except for sending an alert, if multiple event filters match, the higher priority action will be done and the lower priority action will be ignored. The actions are:

Action	Priority	Description
power down	1	(optional) Power the system down.
power cycle	2	(optional) Power off the system, then power it back on.
reset	3	(mandatory) Reset the main processor in the system.
Diagnostic Interrupt	4	(optional) Send a system-defined diagnostic interrupt to the main processor in the system. This is generally an NMI.
Send Alert	5	Send an alert of some type, via an SNMP trap, a page, or a modem dialup. Note that unlike the rest of the actions, this action will still be done if a higher priority action is done. Alerts can also be prioritized via the Alert Policy Table as described in section 3.13.3.
OEM	OEM	(optional) Priority is defined by the OEM.

This section will mainly focus on sending SNMP traps with alerts, although the other parts will also be covered. The PEF configuration can specify sending SNMP traps to inform the management system that something has happened. Generally, it is saying that an event has been placed into the event log. Most of the event information is in the SNMP trap, but unfortunately, some key information is not there. It does give the system an immediate notification.

To have a system send traps, two tables must be set up. The LAN configuration table described in section 3.9.1 has parameters to set the SNMP community string and the trap destination addresses available. The PEF table contains information about how to filter traps. Different events can cause different traps to be sent to different places. As well, specific events can do other things, such as reset or power off the system. The thing we are interested in is the "Alert" capability.

Note that alerts can also cause telephone pages, serial dialups and things like that to happen. They are pretty flexible, although this section will mostly focus on SNMP traps.

### 3.13.1 PEF and Alerting Commands

These commands control the PEF and alerting capabilities of a system.

Table 3.32 shows the command used to find out what alert capabilities a BMC has.

Request	
-	-
Response	
0	Completion Code

1	PEF version, encoded as: <b>bits 0-3</b> - Major version # <b>bits 4-7</b> - Minor version #
2	Supported PEF actions, if the bit is one then the action is supported: <b>bit 0</b> - alert <b>bit 1</b> - power down <b>bit 2</b> - reset <b>bit 3</b> - power cycle <b>bit 4</b> - OEM action <b>bit 5</b> - diagnostic interrupt <b>bits 6-7</b> - reserved
3	Number of entries in teh event filter table

Table 3.32: Get PEF Capabilities Command, NetFN S/E (04h),  
Cmd 10h

Table 3.33 shows the command used to set the PEF configuration parameters in a BMC.

Request

0	Parameter Selector. This selects the entry in the table that you want to set.
1-n	The data for the parameter. You must look up the entry in table 3.36 for the exact contents, it depends on which entry you are setting.

Response

0	Completion code. Standard completion codes, plus: 80h - Parameter not supported 81h - Attempt to set the “set in progress’ value (parm 0) when the parameter is not in the free (set complete) state. 82h - Attempt to write a read-only parameter.
---	--

Table 3.33: Set PEF Configuration Parameters Command, NetFN  
S/E (04h), Cmd 12h

Table 3.34 shows the command used to get PEF configuration parameters in a BMC.

Request

0	<b>bits 0-6</b> - Parameter Selector. This selects the entry in the table that you want to get. <b>bit 7</b> - If 1, only get parameter revision
1	Set Selector. Some parameters are in an array, this tells which array element to set. Set to zero if the parameter does not have a set selector.
2	Block Selector. Some parameters have two levels of arrays (an array inside of the array). The Set Selector is the first level array specifier, this is the second level. Set to zero if the parameter does not have a block selector.

Response

0	Completion code. Standard codes, plus: 80h - parameter not supported
1	Parameter revision. Format is: Bits 0-3 - Oldest revision parameter is backward compatible with Bits 4-7 - Current parameter revision
2-n	Parameter data. This will not be present if bit 7 of byte 0 of the response is set to 1. The contents of this depends on the particular parameter being fetched, see table 3.36 for the parameters.

Table 3.34: Get PEF Configuration Parameters Command, NetFN S/E (04h), Cmd 13h

Table 3.35 shows the command used to send an acknowledge for a received trap. If the “Alert Acknowledge” bit is set in “Destination Type” entry of the LAN Configuration Table (Table 3.16) or in the “Destination Info” entry of the Serial Configuration Table (Table 3.17), then the receiver of the trap must send this message to stop the resends.

Request

0-1	Sequence Number, from the field in the Platform Event Trap (PET) of the trap being acknowledged. Least significant byte first.
2-5	Local Timestamp, from the field in the PET of the trap being acknowledged. Least significant byte first.
6	Event Source Type, from the field in the PET of the trap being acknowledged
7	Sensor Device, from the field in the PET of the trap being acknowledged
8	Sensor Number, from the field in the PET of the trap being acknowledged
9-11	Event Data 1-3, from the field in the PET of the trap being acknowledged

Response

0	Completion Code
---	-----------------

Table 3.35: PET Acknowledge Command, NetFN S/E (04h), Cmd 17h

### 3.13.2 The PEF Postpone Timer

TBD - write this.

### 3.13.3 PEF Configuration Parameters

The PEF Configuration table has an unusual locking mechanism (although it is usual for IPMI). Parameter zero is a lock. If you set the value to one, it will only succeed if the value is zero. Thus, to lock the table, you set the value to one until it succeeds. You then set it to zero when you are done. This locking mechanism leads to problem if the locker dies while it holds the lock, so you probably need some way to override the lock if this happens. The lock does not actually keep anyone from changing the data, it is simply a common mechanism to mutual exclusion. Note also that the lock has a “commit” mechanism, writing two to the lock will commit the contents if the system supports it. If the system supports rollback, setting the value to zero

will rollback and not commit the changes you made. So for correctness, you should write a two when you are complete, and if that fails then write a zero.

Table 3.36 has the parameters used to configure the event filter. Unless marked “volatile”, all of these will survive removal of power.

Table 3.36: PEF Configuration Parameters

Parameter	#	Description
Set In Progress (volatile)	0	Used to indicate that the parameters are being updated. Bits 2-7 are reserved. Bits 0-1 have the following values: <b>00b</b> - set complete. This is the state the system comes up in. This means that any user is finished updating the parameters. If roll-back is implemented, setting this value will cause any changes made since last setting this value to “set in progress” to be undone. <b>01b</b> - set in progress. A user will set this value to inform others that it is updating these parameters. This value can only be set if the current value is “set complete”. <b>10b</b> - commit write (optional). This will commit any changes that are pending and go to “set complete” state. Some systems may not support this, if setting this returns an error you should set this value to “set complete” by hand.
PEF Control	1	One byte field global control bits for the PEF: <b>bit 0</b> - Set to one to enable the PEF. <b>bit 1</b> - Set to one to cause event messages to be sent for each action triggered by a filter. These events are send as the System Event Sensor (12h), offset 04h, see table 8.2. Note that these events are subject to PEF filtering, so be careful not to cause an infinite event message send. <b>bit 2</b> - PEF Startup Delay Enable (optional). When set to one, this bit enables a PEF startup delay on manual startup of a chassis and on all system resets. If this bit is supported, the spec says that the implementation must supply a way for the user to diable the PEF in case the filter entries are causing an infinite loop. I have no idea what that means. If this bit is not implemented, the spec says that there must always be a startup delay. Parameter 3 of this table sets the time. <b>bit 3</b> - PEF Alert Startup Delay Enable (optional). When set to one, this bit enables a delay between startup time and when alerts are allowed to be sent. Parameter 4 of this table sets the time. <b>bits 4-7</b> - reserved



Table 3.36: PEF Configuration Parameters

Parameter	#	Description
PEF Action Global Control	2	A one byte field for controlling whether specific PEF actions are enabled at all. If the bit is set to one, it is enabled. The bits are: <b>bit 0</b> - alert <b>bit 0</b> - power down <b>bit 0</b> - reset <b>bit 0</b> - power cycle <b>bit 0</b> - OEM <b>bit 0</b> - diagnostic interrupt <b>bits 6-7</b> - reserved
PEF Startup Delay (optional)	3	A one byte field giving the PEF startup delay, in seconds, 10% accuracy. A zero value means no delay. This goes along with bit 2 of byte 1 of parameter 1 of this table, see that for more details.
PEF Alert Startup Delay (optional)	4	A one byte field giving the PEF Alert startup delay, in seconds, 10% accuracy. A zero value means no delay. This goes along with bit 3 of byte 1 of parameter 1 of this table, see that for more details.
Number of Event Filters (read only)	5	The number of array entries in the event filter table, parameter 6 of this table. The bits are: <b>bits 0-6</b> - The number of event filter entries. A zero here means that events filters are not supported. <b>bit 7</b> - reserved
Event Filter Table	6	This is a 21 byte field giving access to the event filter table. <b>byte 0 bits 0-6</b> - The set selector, the array index of which event filter to set. 00h is reserved and not used and does not count in the number of event filters. <b>bit 7</b> - reserved <b>bytes 1-20</b> - The filter data for the array element given by byte 1 of this parameter. See table 3.37 for the contents of this data.
Event Filter Table Byte 1	7	This is a 2 byte field giving access to the first byte of an event filter table entry. This makes it convenient to set the first byte without having to read-modify-write the whole entry. <b>byte 0 bits 0-6</b> - The set selector, the array index of which event filter to set. 00h is reserved and not used and does not count in the number of event filters. <b>bit 7</b> - reserved <b>byte 1</b> - Byte 1 of the event filter table entry. See table 3.37 for the contents of this data.

Table 3.36: PEF Configuration Parameters

Parameter	#	Description
Number of Alert Policies (read only)	7	The number of array entries in the alert policy table, parameter 9 of this table. The bits are: <b>bits 0-6</b> - The number of event filter entries. A zero here means that alert policies are not supported. <b>bit 7</b> - reserved
Alert Policy Table	8	This is a 4 byte field giving access to the alert policy table. <b>byte 0 bits 0-6</b> - The set selector, the array index of which alert policy to set. 00h is reserved and not used and does not count in the number of event filters. <b>bit 7</b> - reserved <b>bytes 1-3</b> - The filter data for the array element given by byte 1 of this parameter. See table 3.38 for the contents of this data.
System GUID	9	A 17 byte field telling how to get the system GUID for PET traps. <b>byte 0 bit 0</b> - If one, use the value in bytes 1-16 of this field as the GUID in traps. If not set, use the value returned from the Get System GUID command. <b>bits 1-7</b> - reserved <b>bytes 1-16</b> - The system GUID
Number of Alert String Keys (read only)	11	The number of array entries in the alert string keys, parameter 12 of this table. The bits are: <b>bits 0-6</b> - The number of alert string keys. A zero here means that alert policies are not supported. <b>bit 7</b> - reserved

Table 3.36: PEF Configuration Parameters

Parameter	#	Description
Alert String Keys (some parts are volatile)	12	<p>Some actions require alert strings for paging an operator. This key is used in conjunction with the alert policy table (table 3.38) in some cases. If bit 7 of byte 3 of an alert policy table entry is set to 1, then it will use the alert string set field from that table and the event filter number from the event being processed to search this table. If it finds a match, it will use the alert string that corresponds with the same index as the entry in this table.</p> <p>For instance, if entry 4h of this table has a 3h in byte 1 and a 7h in byte 2, if event filter 4 matches an event and the alert policy used has 87h in byte 3, then the alert string entry 4h of the alert strings are used.</p> <p><b>byte 0 bits 0-6</b> - The set selector, the array index of which alert key to set. Entry 0h is volatile and used by the Alert Immediate command as described in section 3.13.5. Entries 1h-7h are non-volatile. All other entries are reserved.</p> <p><b>bit 7</b> - reserved</p> <p><b>byte 1 bits 0-6</b> - Event filter number to match</p> <p><b>bit 7</b> - reserved</p> <p><b>byte 2 bits 0-6</b> - Alert String Set to match</p> <p><b>bit 7</b> - reserved</p>

Table 3.36: PEF Configuration Parameters

Parameter	#	Description
Alert Strings (some parts are volatile)	13	<p>Some actions require alert strings for paging an operator. This table holds the actual alert strings. This table is indexed by the alert policy table (table 3.38) either directly if bit 7 of byte 3 of an alert policy table entry is set to 0, or indirectly through parameter 12 of this table if that bit is one.</p> <p>The meanings of the values in this table are dependent on the alert type and channel.</p> <p>For dial paging, this string will have a carriage return automatically appended to the string.</p> <p>For TAP paging, this string corresponds to 'Field 2', the pager message. Note that TAP only supports 7-bit ASCII and the BMC will zero the high bit when doing TAP paging.</p> <p><b>byte 0 bits 0-6</b> - The set selector, the array index of which alert string to set. Entry 0h is volatile and used by the Alert Immediate command as described in section 3.13.5. Entries 1h-7h are non-volatile. All other entries are reserved.</p> <p><b>bit 7</b> - reserved</p> <p><b>byte 1</b> - Block selector. The strings may be much larger than can be set in a single message. This selects which block to write, in 16-byte increments. So, a 0 here is the first 16 bytes, a 1 is the second 16 bytes, and so on.</p> <p><b>byte 2-n</b> - The bytes to write into the specific block. If this is less than 16 bytes, then only the given number of bytes are written.</p>
OEM Parameters	96+	Parameters 96-127 are allowed for OEM use. All other parameters are reserved.

The PEF table is read and written as part of the PEF Configuration table, parameter 6, but the contents are documented separately in table 3.37. When an event comes in, it is compared against each filter in order. If a match occurs on multiple filters, then the highest priority action is done and the rest except for alerts are ignored. After the operation is completed, any alert operations are done by scanning the alert policy table in order. The order of the alert policy table defines the priority of the different alerts.

Table 3.37: PEF Table Entry

Byte	Field	Description
------	-------	-------------

Table 3.37: PEF Table Entry

Byte	Field	Description
0	Filter Configuration	<p>Bits that control the operation of this filter:</p> <ul style="list-style-type: none"> <li>bits 0-4 - reserved</li> <li>bits 5-6 - filter type</li> <li><b>00b</b> - Software configurable filter. A managing system may configure all parts of this filter.</li> <li><b>01b</b> - reserved</li> <li><b>10b</b> - pre-configured filters. A managing system should not modify the contents of this filter, although it may turn on and off the filter using bit 7 of this field.</li> <li><b>11b</b> - reserved</li> </ul>
1	Event filter action	<p>These bits set what action this filter will do if it matches. These bits are enable if set to one.</p> <ul style="list-style-type: none"> <li><b>bit 0</b> - alert</li> <li><b>bit 1</b> - power off</li> <li><b>bit 2</b> - reset</li> <li><b>bit 3</b> - power cycle</li> <li><b>bit 4</b> - OEM action</li> <li><b>bit 5</b> - diagnostic interrupt</li> <li><b>bits 6-7</b> - reserved</li> </ul>
2	Alert Policy Number	<ul style="list-style-type: none"> <li><b>bits 0-3</b> - If alert is selected in byte 1, this chooses the policy number to use in the alert policy table.</li> <li><b>bits 4-7</b> - reserved</li> </ul>
3	Event Severity	<p>This is the value that will be put into the event severity field of the PET trap. If more than one event filter matches, the highest priority in all event filters will be used. Valid values are:</p> <ul style="list-style-type: none"> <li><b>00h</b> - unspecified</li> <li><b>01h</b> - monitor</li> <li><b>02h</b> - information</li> <li><b>04h</b> - OK (returned to OK condition)</li> <li><b>08h</b> - non-critical condition</li> <li><b>10h</b> - critical condition</li> <li><b>20h</b> - non-recoverable condition</li> </ul>
4	Generator ID byte 1	This matches the slave address or software id in the event. It must be an exact match. Use FFh to ignore this field when comparing events.
5	Generator ID byte 2	This matches the channel and LUN in the event. It must be an exact match. Use FFh to ignore this field when comparing events.

Table 3.37: PEF Table Entry

Byte	Field	Description
6	Sensor type	This matches the sensor type field in the event. It must be an exact match. Use FFh to ignore this field when comparing events.
7	Sensor Number	This matches the sensor number field in the event. It must be an exact match. Use FFh to ignore this field when comparing events.
8	Event Trigger	This matches the event direction and event type byte (byte 13) in the event. It must be an exact match. Use FFh to ignore this field when comparing events.
9-10	Event data 1 low nibble values	This field is a bitmask specifying which values in the low 4 bits of the event data 1 field will match. If a bit is set, then the corresponding value will match for this filter. For instance, if bits 2 and 7 are set, then a value of 2 or 7 in the low nibble of event data 1 will cause a filter match (if everything else matches too, of course). <b>byte 9</b> - bit positions 0-7 <b>byte 10</b> - bit positions 8-15
11	Event data 1 AND mask	This bit indicates which bits in event data 1 are used for comparison. If a bit in the mask is zero, then the bit is not used for comparison. If a bit is one, then the corresponding bit in event data 1 is used for comparison using the next two bytes of the table.
12	Event data 1 compare 1	This byte tells how the bits in event data 1 are compared. For every bit set to one in this byte and one in the AND mask, the corresponding bit in event data 1 must exactly match the data in the compare 2 field. For all bits set to zero in this byte and one in the AND mask, if any of those bits must be set to the same value as the bit in the compare 2 field, it is considered a match for that byte. For instance, if the AND mask is 00001111b, the compare 1 field is 00001100b, and the compare 2 field is 00001010b, then the event data 1 byte matches this comparison if: <pre>((bit0 == 0)    (bit1 == 1)) &amp;&amp; (bit2 == 0) &amp;&amp; (bit3 == 1)</pre> Because there are zeroes in bits 4-7, those are not used in the mask. Exact matches are required in bits 2 and 3 to compare 2, and one of bits 0 and 1 must be set the same as compare 2. Setting bytes 11-13 to all zero will cause event data 1 to be ignored for comparison (it will always match).
13	Event data 1 compare 2	This byte is used to compare the values of event data 1. See byte 12 for more details on how this works.
14-16	Event data 2 fields	These bytes work the same as bytes 11-13, but apply to event data 2. See those fields for details.

Table 3.37: PEF Table Entry

Byte	Field	Description
17-19	Event data 3 fields	These bytes work the same a bytes 11-13, but apply to event data 3. See those fields for details.

The Alert Policy table tells the BMC what to do when an event filter matches and the alert action is set. Every matching filter with the alert action sets that alert policy to be run. Once all the filters have been checked, the set alert policies are checked and executed in order of their policy number. Depending on the settings in the policy, the BMC may go to the next alert policy or stop.

Table 3.38: Alert Policy Table Entry

Byte	Field	Description
0	Policy Number and Policy	<p><b>bits 0-2</b> - The policy. Valid values are:</p> <ul style="list-style-type: none"> <li><b>0h</b> - Always do this alert if chosen, even if other alert policy tables tell the BMC to stop.</li> <li><b>1h</b> - If an alert to a previous destination was successful, do not do this alert. If no alert has been successful so far, do this alert. Then go to the next entry in the policy table.</li> <li><b>2h</b> - If an alert to a previous destination was successful, do not do this alert. If no alert has been successful so far, do this alert. Then stop processing the policy table (except for entries with a 0h policy).</li> <li><b>3h</b> - If an alert to a previous destination was successful, do not do this alert. If no alert has been successful so far, do this alert. Then proceed to the next policy entry that has a different channel.</li> <li><b>4h</b> - If an alert to a previous destination was successful, do not do this alert. If no alert has been successful so far, do this alert. Then proceed to the next policy entry that has a different destination type.</li> </ul> <p><b>bit 3</b> - Entry enable. If set to one, the entry is enabled, if set to zero it is ignored.</p> <p><b>bits 4-7</b> - The policy number, the array index of which policy table entry to set.</p>

Table 3.38: Alert Policy Table Entry

Byte	Field	Description
1	Channel / Destination	<p><b>bits 0-3</b> - The destination selector. For the chosen channel, this is the specific destination in the channel to use to send the alert. See the LAN Configuration Table (table 3.16) or the Serial Configuration Table (table 3.17) for information on what the destination selectors can do.</p> <p><b>bits 4-7</b> - The channel. This tells the BMC which channel to send the alert over.</p>
2	Alert String Info	<p>Some types of alerts need a string associated with them, this chooses the string. The specific strings are stored in the PEF configuration parameters 12 and 13 in table 3.36.</p> <p>If bit 7 of this byte is one, then the string is dependent on the event filter number that was matched for this alert policy. Bits 0-6 of this byte are the alert string set. The event filter number and the alert string set are looked up in the table in parameter 12 of the PEF configuration to choose the alert string to use. See that parameter for more details on how this works.</p> <p>if bit 7 of this byte is zero, then the bits 0-6 of this field are the alert string selector. The alert string selector is used as a direct index into the alert string table in parameter 13 of the PEF configuration.</p>

### 3.13.4 OpenIPMI and SNMP Traps

#### Setting Up A System To Send Traps

Setting up a system to send traps with OpenIPMI can be done two basic ways. The hard way is to set up each table individually. This is more work, but is very flexible. The easy way just sets up for SNMP traps but does all the work for you.

**Setting Up the PEF Table and LAN Configuration Table** For a system to send traps, you must set up the PEF table as described in section 3.13.3 and the LAN configuration table described in section 3.9.1. However, this is a lot of work.

**Setting Up For Traps the Easy Way** OpenIPMI provides a way to set up a simple SNMP trap send from a BMC. The call has an unfortunately large number of parameters because OpenIPMI cannot pick the various selectors and policy numbers needed to set up for the trap, because you may be using them for other things. The function call is:

```
int ipmi_pet_create(ipmi_domain_t    *domain,
                   unsigned int      connection,
                   unsigned int      channel,
                   struct in_addr     ip_addr,
```



```

        unsigned char    mac_addr[6],
        unsigned int     eft_sel,
        unsigned int     policy_num,
        unsigned int     apt_sel,
        unsigned int     lan_dest_sel,
        ipmi_pet_done_cb done,
        void              *cb_data,
        ipmi_pet_t       **pet);

```

**domain** - The domain to set up a trap sender for.

**connection** - Which specific connection to the domain do you want to configure?

**channel** - The specific channel to configure. You will have to know the channel you want to configure.

**ip\_addr** - The IP address to tell the BMC to send messages to.

**mac\_addr** - The MAC address to tell the BMC to send messages to.

**eft\_sel** - the Event Filter selector to use for this PET destination. Note that this does *\*not\** need to be unique for different OpenIPMI instances that are using the same channel, since the configuration will be exactly the same for all EFT entries using the same channel, assuming they share the same policy number.

**policy\_num** - The policy number to use for the alert policy. This should be the same for all users of a domain.

**apt\_sel** - The Alert Policy selector to use for this PET destination. Note that as **eft\_sel**, this need not be unique for each different OpenIPMI instance on the same channel.

**lan\_dest\_sel** - The LAN configuration destination selector for this PET destination. Unlike **eft\_sel** and **apt\_sel**, this *\*must\** be unique for each OpenIPMI instance on the same channel, as it specifies the destination address to use.

**done** - This function will be called when the PET configuration is complete.

**cb\_data** - Data to pass to the **done** call.

**pet** - The created object.

This creates an object that will continue to live and periodically check that the configuration is correct. If you wish to destroy this, use the following:

```

int ipmi_pet_destroy(ipmi_pet_t    *pet,
                    ipmi_pet_done_cb done,
                    void            *cb_data);

```

### Handling Incoming Traps

OpenIPMI has some ability to handle SNMP traps. It does not implement its own SNMP stack though, so it cannot do all the work for you. Indeed, different SNMP exist and OpenIPMI would not want to presume that you would only use one of them. Also, since the SNMP trap port is fixed, some cooperative mechanism may be required between different pieces of software. You must have your own stack, like NetSNMP[3], and catch the traps with that.

Once you have a trap, you must call:

```
int ipmi_handle_snmp_trap_data(void          *src_addr,
                                unsigned int  src_addr_len,
                                int          src_addr_type,
                                long         specific,
                                unsigned char *data,
                                unsigned int  data_len);
```

Where `src_addr` is the IP source address (`struct sockaddr_in`) and `length` is the length of the address structure. Only IP is supported for now, so `src_addr_type` must be `IPMI_EXTERN_ADDR_IP`. The `specific` field is the field of the same name from the SNMP Protocol Data Unit (PDU). The `data` field is a pointer to the user data from the SNMP PDU, and the length of that data is in `data_len`.

The data in the trap is not enough information to fully decode the event, so currently an incoming trap will only cause an SEL fetch on the proper SEL. OpenIPMI will automatically send the PET Acknowledge command described in Table 3.35.

Note that SNMP traps can only be received on one port, and that port is privileged, so you must run as root to receive SNMP traps.

### 3.13.5 The Alert Immediate Command

## 3.14 OpenIPMI Addressing

The OpenIPMI driver and library use a common addressing scheme. This attempts to normalize the messaging from the user's point of view. The message data will look the same no matter where you send it. The only difference is the message.

The main OpenIPMI address structure is:

```
struct ipmi_addr
{
    int    addr_type;
    short channel;
    char  data[IPMI_MAX_ADDR_SIZE];
};
```

The `addr_type` and `channel` are common to all OpenIPMI addresses. You have to look at the `addr_type` to determine the type of address being used and cast it to the proper address. The specific messages are overlays on this structure.

A system interface address is used to route the message to the local management controller. It is:

```
#define IPMI_SYSTEM_INTERFACE_ADDR_TYPE ...
struct ipmi_system_interface_addr
{
    int          addr_type;
    short        channel;
    unsigned char lun;
};
```

The `channel` should be `IPMI_BMC_CHANNEL` and the `lun` should generally be zero. An IPMI address routes messages on the IPMB. The format is:

```
#define IPMI_IPMB_ADDR_TYPE ...
#define IPMI_IPMB_BROADCAST_ADDR_TYPE ...
struct ipmi_ipmb_addr
{
    int          addr_type;
    short        channel;
    unsigned char slave_addr;
    unsigned char lun;
};
```

The `channel` should be the IPMB bus channel number, the `slave_address` should be the IPMB address of the destination, and the `lun` should be the destination LUN. Notice that two address types can be used with this command, a normal IPMB message and a broadcast IPMB can be sent with this. Note that if you send a broadcast IPMB, you will receive a normal IPMB address in the response.

A LAN to system interface address is:

```
#define IPMI_LAN_ADDR_TYPE ...
struct ipmi_lan_addr
{
    int          addr_type;
    short        channel;
    unsigned char privilege;
    unsigned char session_handle;
    unsigned char remote_SWID;
    unsigned char local_SWID;
    unsigned char lun;
};
```

This deviates a little from the IPMI spec. In the spec, the SWIDs used are the requester SWID and responder SWID. For this message, the remote SWID is other end and the local SWID is this end. This way, there is no confusion when sending and receiving messages, and no special handling of the SWIDs needs to be done.



# Chapter 4

## The MC

The MC is the “intelligent” device in an OpenIPMI system. It is a processor that is always on and handles management operations in the system. It is the thing that receives commands, processes them, and returns the results.

An IPMI system will have at least one MC, the BMC. The BMC is the “main” management controller; it handles most of the interfaces into the system.

### 4.1 OpenIPMI and MCs

*Note: This section deals with OpenIPMI internals. The user does not generally need to know about management controllers, as they are internal to the operation of OpenIPMI. However, they are discussed because users writing plugins or fixup code will need to know about them. Plus, these interfaces are subject to change.*

#### 4.1.1 Discovering MCs

In OpenIPMI, the MC devices in a system are part of the domain. When the user creates the domain, OpenIPMI will start scanning for MCs in the system. The user can discover the MCs in a domain in two ways: iterating or registering callbacks.

Iterating the MCs in a domain simply involves calling the iterator function with a callback function:

```
static void
handle_mc(ipmi_domain_t *domain, ipmi_mc_t *mc, void *cb_data)
{
    my_data_t *my_data = cb_data;
    /* Process the MC here */
}

void
iterate_mcs(ipmi_domain_t *domain, my_data_t *my_data)
{
    int rv;
    rv = ipmi_domain_iterate_mcs(domain, handle_mc, my_data);
}
```

```

    if (rv)
        handle_error();
}

```

This is relatively simple to do, but you will not be able to know immediately when new MCs are added to the system. To know that, you must register a callback function as follows:

```

static void
handle_mc(enum ipmi_update_e op,
          ipmi_domain_t *domain,
          ipmi_mc_t *mc,
          void *cb_data)
{
    my_data_t *my_data = cb_data;
    /* Process the MC here */
}

void
handle_new_domain(ipmi_domain_t *domain, my_data_t *my_data)
{
    int rv;
    rv = ipmi_domain_add_mc_updated_handler(domain, handle_mc, my_data);
    if (rv)
        handle_error();
}

```

You should call the function to add an MC updated handler when the domain is reported up (or even before); that way you will not miss any MCs.

### 4.1.2 MC Active

An MC may be referenced by another part of the system, but may not be present. For instance, it may be on a plug-in card. An MC that is not present is called “inactive”, an MC that is present is called “active”. OpenIPMI automatically detects whether MCs are active or inactive.

The `ipmi_mc_is_active` function is used to tell if an MC is active. As well, callback handlers can be registered with `ipmi_mc_add_active_handler` to know immediately when an MC is set active or inactive.

### 4.1.3 MC Information

OpenIPMI will extract information about the MC from the Get Device ID command; you can fetch this with functions. The functions are almost all of the form:

```
int ipmi_mc_xxx(ipmi_mc_t *mc)
```

The fields available (replace “xxx” with these in the previous definition) are:

<code>provides_device_sdrs</code>	Returns true if the MC has device SDRs, false if not.
-----------------------------------	---

device_available	Return false if the MC is operating normally, or true if the MC is updating its firmware.
chassis_support	Returns true if the MC supports the chassis commands, false if not.
bridge_support	Returns true if the MC support bridge commands (generally for ICMB), false if not.
ipmb_event_generator_support	Return true if the MC will generate events on the IPMB. Note that if this is false, it can still generate events and store them on a local System Event Log (SEL), like on a BMC.
ipmb_event_receiver_support	Returns true if the MC can receive events from other MCs on the IPMB.
fru_inventory_support	If true, the MC support FRU inventory commands.
sel_device_support	If true, the MC has an event log on it.
sdr_repository_support	If true, the MC supports a writable SDR repository. This is <i>not</i> a device SDR repository.
sensor_device_support	If true, this MC supports sensor commands.
device_id	The device id of the MC. This helps identify the capabilities of the MC; it is used along with the product and manufacturer IDs to know the exact capabilities of the device. It's use is OEM-specific, though.
device_revision	The hardware revision for the MC and associated hardware. It's use is OEM-specific, though.
major_fw_revision	The major revision of the firmware running on the MC.
minor_fw_revision	The minor revision of the firmware running on the MC.
major_version	The major version of the IPMI specification version supported by the MC.
minor_version	The minor version of the IPMI specification version supported by the MC.
manufacturer_id	A 24-bit number assigned by the IANA for the manufacturer of the MC hardware.
product_id	A 16-bit number assigned by the manufacturer to identify the specific MC hardware.

In addition, the following function:

```
void ipmi_mc_aux_fw_revision(ipmi_mc_t *mc, unsigned char val[]);
```

returns the optional 4-byte auxiliary firmware revision information field. The meaning of this field is vendor-specific and the field may not be present (in which case all zeros is returned).

#### 4.1.4 MC Reset

OpenIPMI has a function to reset an MC. It is:

```
#define IPMI_MC_RESET_COLD ...
#define IPMI_MC_RESET_WARM ...
int ipmi_mc_reset(ipmi_mc_t      *mc,
```

```
int          reset_type,  
ipmi_mc_done_cb done,  
void        *cb_data);
```

Note that this resets the MC, not the main processor on the board the MC is located on. There are two types of reset, cold and warm. Not all systems support resetting the MC and the effects of the reset are system-dependent.

#### 4.1.5 Global Event Enables

An MC has a global event enable. If events are disabled, then all events from the MC are disabled. If events are enabled, then the sending of events depends on more specific event settings on the sensors. The value is a true-false, setting it to true enables events. False disables events. The functions are:

```
int ipmi_mc_get_events_enable(ipmi_mc_t *mc);  
int ipmi_mc_set_events_enable(ipmi_mc_t *mc,  
int val,  
ipmi_mc_done_cb done,  
void *cb_data);
```

The setting is fetched and held locally, so the “get” function is immediate. The “set” function requires sending a message and thus it has a callback.



## Chapter 5

# IPMI Commands

IPMI does everything except events through commands and responses. A user sends a command to an MC, and the MC returns a response. All commands have responses. Commands may optionally have some data; the data depends on the command. The same goes for responses, except that all responses contain at least one data byte holding the completion code. Every response has a completion code in the first byte.

Every command and response has a NetFN and command number. A NetFN is a number that describes a function group. All sensor-related commands, for instance, have the same NetFN. The command number is the number for the specific command within the NetFN. Responses contain the same NetFN and command number as the command, except the NetFN has one added to it. So responses to sensor command (NetFN 04h) will use NetFN 05h. Table 5.1 shows the NetFN values. All commands have even NetFNs, and all responses have odd NetFNs.

Table 5.1: NetFN codes

NetFN	Name	Description
00h, 01h	Chassis	Common chassis control and status functions.
02h, 03h	Bridge	Messaging for bridging to another bus, generally ICMB.
04h, 05h	Sensor/Event	Handling of sensors and events.
06h, 07h	Application	General control and status of a connection and basic operations. This is the “catch all” where things that don’t really fit elsewhere fall, too.
08h, 09h	Firmware	Used for formware checking and upgrade, generally. The messaging for this is completely proprietary and not defined by the spec.
0Ah, 0Bh	Storage	Non-volatile storage handling, the SDRs and SEL.
0Ch, 0Dh	Tranport	Configuration of the LAN and serial interfaces.
0Eh-2Bh	Reserved	

2Ch, 2Dh	Group Extensions	A way for external groups to define their own extensions without conflicting. The first byte of the command and second byte of the response are a field that identifies the entity defining the messages; these bytes are, in effect, an extension of the NetFN. The external groups are free to define the message outside those bounds. Current defined external groups are: <b>00h</b> CompactPCI <b>01h</b> DMTF Pre-OS Working Group ASF Specification All other values are reserved.
2Eh, 2Fh	OEM/Group	Basically more group extensions, except that the first three bytes (bytes 0-2) of commands and second three bytes (bytes 1-3) of responses are the IANA enterprise number. The owner of the IANA enterprise number is free to define these values any way they like.
30h-3Fh	OEM	OEMs are free to use these messages any way they like.

Every response has a one byte error code that is always the first byte of the message. There are a number of error code. Unfortunately, the error responses returned in a response are not bounded per command; the implementor is free to return pretty much anything it likes as an error response. Some commands define explicit error return code for some situations, but not generally. Table 5.2 shows the error codes in IPMI.

Table 5.2: Error codes

Error	Name	Description
00h		No error, command completed normally
01h-7Eh		OEM error codes. Implementors may use these error codes for their own commands if a standard error code does not apply.
7Fh		reserved
80h-BEh		Command-specific error codes. Some commands have specific errors they return that only apply to that command. These are defined by the command.
BFh		reserved
C0h	Node Busy	The command could not complete because command processing resources on the MC are temporarily unavailable.
C1h	Invalid Command	The MC did not support the given NetFN and command.
C2h	Invalid Command for LUN	The given command was not supported on the LUN it was sent to.
C3h	Timeout	A timeout occurred while processing the command.
C4h	Out of Space	There was not enough storage space to perform the given command.
C5h	Reservation Invalid	This is for commands that require reservations (like SEL and SDR commands). This means the reservation number given was invalid or the reservation was lost.
C6h	Data Truncated	The request data was truncated (it is unknown what this means).

C7h	Command Length Invalid	The received command was the wrong length for the command.
C8h	Command Field Too Long	A field in a command was too long for the given command.
C9h	Parameter Out of Range	One or more fields in a command were outside the range of allowed values. According to the spec, “This is different from the ‘Invalid data field’ (CCh) code in that it indicates that the erroneous field(s) has a contiguous range of possible values.” The meaning of that enigmatic statement is unknown.
CAh	Too Many Requested Bytes	A request was made for some data, but the requested number of bytes was either beyond the end of the data or too long to fit into the return response.
CBh	Invalid Object	The requested sensor, record, or data was not present. The command is supported, but the specific object asked for does not exist.
CCh	Invalid Data Field	An invalid data field was in the request. See error C9h for more details.
CDh	Command Invalid for Object	The specific sensor, record, or data does not support the given command.
CEh	No Response	The command response could not be provided. The meaning of this is unknown.
CFh	Duplicate Request	A duplicate request was received and ignored. The spec says “This completion code is for devices which cannot return the response that was returned for the original instance of the request. Such devices should provide separate commands that allow the completion status of the original request to be determined. An Event Receiver does not use this completion code, but returns the 00h completion code in response to (valid) duplicate requests.” The meaning of this statement is unknown. However, in general IPMI should be stateless because responses can be lost and commands retransmitted. Commands that have intermediate state need to be handled very carefully (and there are none in the main spec).
D0h	SDR Repository Being Updated	The SDR repository is currently in update mode so the given command could not be executed.
D1h	Firmware Being Updated	The given command could not be executed because firmware on the system is being updated.
D2h	BMC Initializing	The given command could not be executed because the BMC (or probably any MC) is currently initializing.
D3h	Destination Unavailable	An MC could not deliver the command to the given destination. For instance, if you send a “Send Message” command to a channel that is not active, it may return this.



## Chapter 6

# SDR Repositories

IPMI systems keep information about their sensors and entities in an SDR repository. The SDR repository is a set of records; each record holding information about the sensor or entity. An SDR repository may also hold OEM records; those are system-specific and not discussed here.

IPMI systems have two types of SDR repositories. The IPMI spec does not give a name to the first type, but we shall refer to it here as the “main” SDR repository. A system should generally only have one of these. This repository is writable by the user using standard operations.

Each MC in an IPMI system may have a device SDR repository. IPMI does not have standard operations to write this repository, just to read it. This repository may also change dynamically. For instance, if some device is hot-plugged onto a board, the MC for that board may dynamically add or change sensors and entities for the new device.

The records in these two types of repositories are the same.

### 6.1 SDR Reservations

Both SDR repository types support the concept of a reservation.

### 6.2 The Main SDR Repository

TBD - write this

#### 6.2.1 Modal and Non-Modal SDR Repositories

#### 6.2.2 Commands for Main SDR Repositories

### 6.3 Device SDR Repositories

TBD - write this

### 6.3.1 Dynamic Device SDR Repositories

### 6.3.2 Commands for Device SDR Repositories

## 6.4 Records in an SDR Repository

Section 7.8 on entities and section 8.7 on sensors describe the specific records in SDR repositories. They all follow a general format, though; this section describes that format.

Each SDR has three parts: A header, a key, and a body. Note that all multi-byte values in SDRs are little-endian unless specified otherwise. The header is:

0-1	Record ID. This is the number used to fetch the record from the SDR repository.
2	IPMI Version. This is the IPMI version the record is specified under.
3	Record Type. This tells the specific type of record contained in the SDR; it gives the format of the data after the header.
4	Record Size. This is the number of bytes in the SDR, not including the header.

Table 6.1: The SDR header

The key and body are dependent on the record type and are defined in the specific record definitions. Table 6.2 shows the various record types supported by IPMI.

To fetch an SDR, first fetch the SDR header. Once the size is known the rest of the SDR can be fetched.

## 6.5 Dealing with SDR Repositories in OpenIPMI

SDRs can be rather difficult to deal with. OpenIPMI hides most, if not all, of the difficulty from the user. It fetches the SDRs, decodes them, create entities and sensors as necessary, and reports those to the user. The user of OpenIPMI will not have to know anything about SDRs, in general.

The type used by OpenIPMI to hold an SDR repository is `ipmi_sdr_info_t`. The type used to hold individual SDRs is `ipmi_sdr_t`. The internals of `ipmi_sdr_info_t` are opaque, you can only use functions to manipulate it. The internals of `ipmi_sdr_t` are not (currently) opaque, you can access the internals directly.

### 6.5.1 Getting an SDR Repository

If you need access to the SDRs for a system, you can get the main SDRs by calling:

```
ipmi_sdr_t *ipmi_domain_get_main_sdrs(ipmi_domain_t *domain);
```

You can get the SDRs for an MC with the following:

```
ipmi_sdr_t *ipmi_mc_get_sdrs(ipmi_domain_t *domain);
```

These are the pre-fetched copies that OpenIPMI holds. You can also fetch your own copy of an SDR repository using the following call to create it:

01h	Type 1 sensors are generally used for analog sensors. They can be used for discrete sensors, too, but most of the fields are irrelevant for discrete sensors.
02h	Type 2 sensors are used for discrete sensors. Multiple similar sensors may be specific in a single type 2 record if the sensor meet certain criteria.
03h	Type 3 sensors are used for sensors that only send events.
08h	A type 8 sensor is called a Entity Association Record (EAR). These are used to specify entity containment; to specify, for instance that a processor entity is on a specific board entity.
09h	A type 9 sensor is called a Device Relative Entity Association Record (DREAR). It is like a type 8 record, but can contain device-relative entities.
10h	A type 16 record is called a Generic Device Locator Record (GDLR). It is used to give information about an entity when the entity is not a FRU or MC.
11h	A type 17 record is called a Field Replacable Unit Device Locator Record (FRUDLR). It is used to give information about a FRU entity in the system that is not a MC.
12h	A type 18 record is called a Management Controller Device Locator Record (MCDLR). It is used to give information about a MC entity in the system.
13h	A type 19 record is called a Management Controller Confirmation Record. It record the fact that a MC has been found in the system. Note that OpenIPMI does not currently use these.
14h	A type 20 record is called a BMC Message Channel Info Record. It is only used in IPMI version 1.0; it specifies the channels available on the system. Newer version of IPMI use specific messages to carry this information.
C0h	This is used for OEM records. The format depends on the specific system type.

Table 6.2: SDR types. All other record types are reserved

```
int ipmi_sdr_info_alloc(ipmi_domain_t *domain,
                       ipmi_mc_t *mc,
                       unsigned int lun,
                       int sensor,
                       ipmi_sdr_info_t **new_sdrs);
```

If you want the main SDRs held on an MC, set the sensor value to false (zero). If you want the device SDRs, set the value to true (one). After you allocate an SDR info structure, you can use the following call to fetch it:

```
typedef void (*ipmi_sdrs_fetched_t)(ipmi_sdr_info_t *sdrs,
                                    int err,
                                    int changed,
                                    unsigned int count,
                                    void *cb_data);

int ipmi_sdr_fetch(ipmi_sdr_info_t *sdrs,
                  ipmi_sdrs_fetched_t handler,
                  void *cb_data);
```

If you allocate your own SDR info structure, you should destroy it when you are done with it with the following call:

```
typedef void (*ipmi_sdr_destroyed_t)(ipmi_sdr_info_t *sdrs, void *cb_data);
int ipmi_sdr_info_destroy(ipmi_sdr_info_t *sdrs,
                          ipmi_sdr_destroyed_t handler,
                          void *cb_data);
```

Note that you should *not* destroy an SDR repository you fetched from the domain or MC. Those are managed by OpenIPMI; if you destroy them you will cause problems.

Note that an SDR repository from a MC or domain is dynamic; it may change because OpenIPMI rescans the SDRs to make sure they haven't changed.

## 6.5.2 SDR Repository Information

General SDR info is available about the repository once the fetch is complete. The format of the functions to get them are all

```
int ipmi_sdr_get_xxx(ipmi_sdr_info_t *sdr, int *val);
```

where the `xxx` is replaced by the item you wish to get. Valid items are:

major_version	The major IPMI version the SDR repository supports, like 1 for IPMI 1.0 and 1.5, and 2 for IPMI 2.0.
minor_version	The minor IPMI version the SDR repository supports, like 0 for IPMI 1.0 and 2.0, and 5 for IPMI 1.5.
overflow	An SDR write operation has failed to do lack of space.



update_mode	The update modes supported. Valid values are: <b>00b</b> - unspecified <b>01b</b> - Only non-modal updates are supported <b>10b</b> - Only modal updates are supported <b>11b</b> - Both modal and non-modal updates are supported
supports_delete_sdr	If true, the repository supports deleting individual SDRs one at a time.
supports_partial_add_sdr	If true, the repository supports the partial add command.
supports_reserve_sdr	If true, the repository supports using reservations.
supports_get_sdr_repository_allocation	If true, the repository allows allocation information to be fetched with the Get SDR Repository Allocation Info command.
dynamic_population	If true, the IPMI <i>system</i> can dynamically change the contents of the SDR repository. This may only be true for device SDR repositories. Although main SDR repositories can dynamically change, it is not the system that does this, it is the user.

The following call can be used to tell whether sensors are available on specific LUNs.

```
int ipmi_sdr_get_lun_has_sensors(ipmi_sdr_info_t *sdr,
                               unsigned int    lun,
                               int             *val);
```

### 6.5.3 Handling a SDR Repository

Once you have an SDR repository, you can fetch individual SDRs from it by the record id, type, or index. To find out the number of SDRs in the repository, use:

```
int ipmi_get_sdr_count(ipmi_sdr_info_t *sdr,
                      unsigned int    *count);
```

Fetching the SDRs by index is probably the most useful function; it treats the repository as an array and lets you fetch items, starting at zero. The call is:

```
int ipmi_get_sdr_by_index(ipmi_sdr_info_t *sdr,
                          int             index,
                          ipmi_sdr_t     *return_sdr);
```

If you are interested in a specific record number, you can fetch it with:

```
int ipmi_get_sdr_by_type(ipmi_sdr_info_t *sdr,
                         int             type,
                         ipmi_sdr_t     *return_sdr);
```

If you want to find the first SDR of a given type, use the following call:

```
int ipmi_get_sdr_by_type(ipmi_sdr_info_t *sdr,
                         int             type,
                         ipmi_sdr_t     *return_sdr);
```

To get all the SDRs, use the following:

```
int ipmi_get_all_sdrs(ipmi_sdr_info_t *sdr,  
                    int *array_size,  
                    ipmi_sdr_t *array);
```

Your passed in array will be filled with the SDR data. The int pointed to by `array_size` must be set to the number of available elements in `array`. It will be modified to be the actual number of SDRs put into the array. If the array is not big enough to hold all the SDRs, the call will fail and have no effect.

# Chapter 7

## Entities

Though you might not know it from a cursory reading of the IPMI spec, entities are an important part of IPMI. They define what a sensor (and in OpenIPMI, a control) monitors (or controls). They are, in essence, the physical parts of the system. For instance, if a system has a temperature sensor on the processor and another temperature sensor on the main board, the temperature sensors will be attached to the processor entity and board entity, respectively. This way, you can tell what the sensor monitors.

Entities are defined by two numbers, the entity id and the entity instance. The entity id defines the type of thing, such as a power supply, processor, board, or memory. The entity instance defines the instance of the thing. For instance, a system may have 4 DIMMs. Each of these DIMMs would be the same entity id (memory), but they would each have a different instance. From now on these are referred to as (<entity id>,<entity instance>). For example, entity (3,1) would be the first processor in the system.

IPMI defines two types of entities: system-relative and device-relative. System-relative entities are unique throughout the entire system (the domain, in OpenIPMI terms). Thus if sensors on different MCs referred entity (3,1), they would all be referring to exactly the same physical thing. System-relative entity instances are defined to be less than 96.

Device-relative entities are unique on the management controller that controls them. These entity's instances are numbered 96-128. These are referred to using their channel and IPMB address in the form r(<channel>,<IPMB>,<entity id>,<entity instance>-96). For instance, if an MC at address C0h had a sensor on channel 0 that monitored entity id 3, instance 97, that would be r(0,C0,3,1)

Entities may or may not have specific information describing them. Entities that do have specific information describing them have device locator records.

Entity IDs defined by IPMI are:

#	Name	description
0	UNSPECIFIED	The entity id is not used.
1	OTHER	Something else?
2	UNKOWN	It's hard to understand why the entity id wouldn't be known, but this is defined by the spec.
3	PROCESSOR	A processor
4	DISK	A disk or disk bay
5	PERIPHERAL	A peripheral bay

6	SYSTEM_MANAGEMENT_MODULE	A separate board for system management
7	SYSTEM_BOARD	The main system board
8	MEMORY_MODULE	A memory module (a DIMM, for instance)
9	PROCESSOR_MODULE	A device that holds processors, if they are not mounted on the system board. This would generally be a socket.
10	POWER_SUPPLY	The main power supplies for the system use this.
11	ADD_IN_CARD	A plug-in card in a system, a PCI card for instance.
12	FRONT_PANEL_BOARD	A front panel display and/or control panel.
13	BACK_PANEL_BOARD	A rear panel display and/or control panel.
14	POWER_SYSTEM_BOARD	A board that power supplies plug in to
15	DRIVE_BACKPLANE	A board that disk drives plug in to
16	SYSTEM_INTERNAL_EXPANSION_BOARD	A board that contains expansion slots. A PCI riser board, for instance.
17	OTHER_SYSTEM_BOARD	Some other board in the system.
18	PROCESSOR_BOARD	A separate board that holds one or more processors.
19	POWER_UNIT	A logical grouping for a set of power supplies
20	POWER_MODULE	Used for internal DC-to-DC converters, like one that is on a board. Note that you would <i>not</i> use this for the main power supply in a system, even if it was a DC-to-DC converter.
21	POWER_MANAGEMENT_BOARD	A board for managing and distributing power in the system
22	CHASSIS_BACK_PANEL_BOARD	A rear board in a chassis.
23	SYSTEM_CHASSIS	The main chassis in the system.
24	SUB_CHASSIS	A sub-unit of the main chassis.
25	OTHER_CHASSIS_BOARD	Some other board that doesn't fit the given categories.
26	DISK_DRIVE_BAY	A sub-chassis that holds a set of disk drives.
27	PERIPHERAL_BAY	A sub-chassis that holds a set of peripherals.
28	DEVICE_BAY	A sub-chassis that holds a set of devices. The difference between a peripheral and a device is not known.
29	FAN_COOLING	A fan or other cooling device.
30	COOLING_UNIT	A group of fans or other cooling devices.
31	CABLE_INTERCONNECT	A cable routing device.
32	MEMORY_DEVICE	A replaceable memory device, like a DIMM. This should not be used for individual memory chips, but for the board that holds the memory chips.
33	SYSTEM_MANAGEMENT_SOFTWARE	The meaning of this is unknown.
34	BIOS	The BIOS running on the system.
35	OPERATING_SYSTEM	The operating system running on the system.
36	SYSTEM_BUS	The main interconnect bus in a system.

37	GROUP	A generic grouping of entities if no physical thing groups them but they need to be groups.
38	REMOTE_MGMT _COMM_DEVICE	A communication device used for remote management.
39	EXTERNAL _ENVIRONMENT	The environment outside the chassis. For instance, a temperature sensor outside the chassis that monitored external temperature would use this. Different instances may be used to specify different regions outside the box.
40	BATTERY	A battery
41	PROCESSING_BLADE	A single-board computer, generally a board that has one or more processors, memory, etc. that plugs into a backplane.
42	CONNECTIVITY_SWITCH	A network switch that plugs into a system to provide connectivity between independent processors in a system.
43	PROCESSOR_MEMORY _MODULE	?
44	IO_MODULE	?
45	PROCESSOR_IO_MODULE	?
46	MGMT_CONTROLLER _FIRMWARE	The firmware running on an MC.

## 7.1 Discovering Entities

In OpenIPMI, the entities in a system are part of the domain. As OpenIPMI scans SDRs it finds, it will create the entities referenced in those SDRs. The user can discover the entities in a domain in two ways: iterating or registering callbacks.

Iterating the entities in a domain simply involves calling the iterator function with a callback function:

```
static void
handle_entity(ipmi_domain_t *domain, ipmi_entity_t *entity, void *cb_data)
{
    my_data_t *my_data = cb_data;
    /* Process the entity here */
}

void
iterate_entities(ipmi_domain_t *domain, my_data_t *my_data)
{
    int rv;
    rv = ipmi_domain_iterate_entities(domain, handle_entity, my_data);
    if (rv)
        handle_error();
}
```

```
}

```

This is relatively simple to do, but you will not be able to know immediately when new entities are added to the system. To know that, you must register a callback function as follows:

```
static void
handle_entity(enum ipmi_update_e op,
              ipmi_domain_t *domain,
              ipmi_entity_t *entity,
              void *cb_data)
{
    my_data_t *my_data = cb_data;
    /* Process the entity here */
}

void
handle_new_domain(ipmi_domain_t *domain, my_data_t *my_data)
{
    int rv;
    rv = ipmi_domain_add_entity_update_handler(domain, handle_entity, my_data);
    if (rv)
        handle_error();
}
```

You should call the function to add an entity update handler when the domain is reported up (or even before); that way you will not miss any entities.

## 7.2 Entity Containment and OpenIPMI

Entities may be contained inside other entities. For instance, a chassis may contain a board, and a board may have a processor on it. This is expressed in specific entity SDRs. OpenIPMI represents this by entities having children and parents.

To discover the parents of an entity, they may be iterated. It seems possible for an entity to have more than one parent; there is no direct prohibition of this in IPMI, although it would be a little wierd. To iterate the parents, use the following call:

```
typedef void (*ipmi_entity_iterate_child_cb)(ipmi_entity_t *ent,
                                             ipmi_entity_t *child,
                                             void *cb_data);
void ipmi_entity_iterate_children(ipmi_entity_t *ent,
                                 ipmi_entity_iterate_child_cb handler,
                                 void *cb_data);
```

Similarly, an entity may have children, but it is certain that more than one child is allowed. To iterate entities children, use the following call:



```

                                ipmi_event_t *event);
int ipmi_entity_add_presence_handler(ipmi_entity_t *ent,
                                ipmi_entity_presence_change_cb handler,
                                void *cb_data);

int ipmi_entity_remove_presence_handler
(ipmi_entity_t *ent,
 ipmi_entity_presence_change_cb handler,
 void *cb_data);

```

This is a standard event handler as defined in section 2.2.5 on page 20.

## 7.4 Entity Types and Info

Entities come in four different flavors:

**MC** - An MC entity is for a MC.

**FRU** - This is for field-replaceable entities that are not MCs.

**Generic** - Some other device on the IPMB bus.

**Unknown** - This is for entities that do not have an SDR record to identify them. These entities are generally only referenced in sensor records or in entity association records.

The following call returns the entity type:

```
enum ipmi_dlr_type_e ipmi_entity_get_type(ipmi_entity_t *ent);
```

Valid entity types are:

```

IPMI_ENTITY_UNKNOWN
IPMI_ENTITY_MC
IPMI_ENTITY_FRU
IPMI_ENTITY_GENERIC

```

There are calls to fetch information about entities, but only certain calls are available for certain entities. All these calls have the form:

```
int ipmi_entity_get_xxx(ipmi_entity_t *ent);
```

where xxx is the data item. These will not return errors, they will return undefined information if they are called on an entity that does not support the specific data item. The data items supported are:

Data Item	Description	M	F	G	U
is_fru	This will be true if the item has FRU information	x	x	x	x
entity_id	This will be the entity id of the entity.	x	x	x	x
entity_instance	This will be the entity instance of the entity.	x	x	x	x
device_channel	This is the device channel for the entity. It is only useful if the entity instance is device-relative. See section 7 for more details.	x	x	x	x



device_address	This is the IPMB address for the entity. It is only useful if the entity instance is device-relative. See section 7 for more details.	x	x	x	x
presense_sensor_always_there	If this is true, then the entity has a presence sensor or a presence bit sensor and that sensor is always present.	x	x	x	x
channel	The channel number for the entity. This is different than device_channel because it is the actual value from the SDR, not the value from the entity info.	x	x	x	
lun	The LUN from the SDR.	x	x	x	
oem	The entity SDRs have an OEM field that may be fetched with this call. The meaning of this is system dependent.	x	x	x	
access_address	The IPMB address of the MC the entity is on or is represented by.		x	x	
private_bus_id	The FRU information may be on an EEPROM device on a private bus. If so,		x	x	
device_type	The type of I <sup>2</sup> C device. This is really not very important, but these are defined in the IPMI spec.		x	x	
device_modifier	An extension to the device_type field to further refine the device type.		x	x	
slave_address	The IPMB address of the device on the IPMB.	x		x	
is_logical_fru	Tells if the FRU information on the FRU is accessed through an MC (value is 1) or is access directly on the IPMB bus as a EEPROM (value is 0).		x		
ACPI_system_power_notify_required	If true, ACPI system power state notification is required for the device.	x			
ACPI_device_power_notify_required	If true, ACPI device power system notification is required by the device.	x			
controller_logs_init_agent_errors	If true, the MC logs initialization errors.	x			
log_init_agent_errors_accessing	If this is true, then the initialization agent will log any failures trying to set the event receiver for the device.	x			
global_init	Tells the initialization agent whether to initialize the controller's event receiver. This is a two bit value: <b>00b</b> - Enable the controller's event receiver. <b>01b</b> - Disable the controller's event receiver by setting it to FFh. This is generally to turn off a rogue controller or for debugging. <b>10b</b> - Do not initialize the controller's event receiver. this is generally for debugging. <b>11b</b> - reserved	x			
chassis_device	The controller handles the chassis commands.	x			
bridge	The controller handles bridge commands. This generally means it supports ICMB.	x			





```

int ipmi_entity_add_sensor_update_handler(ipmi_entity_t      *ent,
                                          ipmi_entity_sensor_cb handler,
                                          void                *cb_data);
int ipmi_entity_remove_sensor_update_handler(ipmi_entity_t      *ent,
                                             ipmi_entity_sensor_cb handler,
                                             void                *cb_data);

```

Likewise, the following function are for controls:

```

typedef void (*ipmi_entity_control_cb)(enum ipmi_update_e op,
                                       ipmi_entity_t      *ent,
                                       ipmi_control_t      *control,
                                       void                *cb_data);
int ipmi_entity_add_control_update_handler(ipmi_entity_t      *ent,
                                           ipmi_entity_control_cb handler,
                                           void                *cb_data);
int ipmi_entity_remove_control_update_handler(ipmi_entity_t      *ent,
                                              ipmi_entity_control_cb handler,
                                              void                *cb_data);

```

The add functions should generally be called in the callback that reports the new entity, that way you will not miss any controls or sensors as they are added. On removal, both the handler and the `cb_data` values must match the values in the add handler, the `cb_data` value is not use for a callback but to find the specific item to remove.

As an example, the following code reports the sensor name and whether it was added, removed, or changed:

```

static void
handle_sensor(enum ipmi_update_e op,
             ipmi_entity_t      *ent,
             ipmi_sensor_t      *sensor,
             void                *cb_data)
{
    char *name;
    int  length = ipmi_sensor_get_id_length(sensor);
    int  allocated = 0;

    if (length == 0)
        name = "empty name";
    else {
        name = malloc(length+1);
        if (!name) {
            /* Handle error */
            return;
        }
        allocated = 1;
        length = ipmi_sensor_get_id(sensor, name, length);
    }
}

```

```

    }
    printf("Sensor %s\n", name);
    if (allocated)
        free(name);
}

void
print_sensors(ipmi_entity_t *entity)
{
    ipmi_entity_iterate_sensors(entity, handle_sensor, NULL);
}

```

## 7.6 Entity Hot-Swap

OpenIPMI supports the notion of an entity being hot-swapped. It supports a complete state machine that allows insertion to be detected, requests to power on the entity and requests to power off the entity. These requests generally come from the user in the form of a switch or something of that nature. It also supports a subset of the hot-swap state machine if all these features are not available.

Unfortunately, IPMI does not have this concept, so this must be added by OEM code. Several systems that support hot-swap are available in OpenIPMI, including the Motorola MXP (see appendix F on page 169) and chassis that adhere to the PICMG ATCA standard (see appendix E on page 167).

Not all entities are hot-swappable. If an entity is hot-swappable, the function:

```
int ipmi_entity_hot_swappable(ipmi_entity_t *ent);
```

will return true.

### 7.6.1 Hot-Swap State

OpenIPMI supports eight hot-swap states:

```

IPMLHOT_SWAP_NOT_PRESENT
IPMLHOT_SWAP_INACTIVE
IPMLHOT_SWAP_ACTIVATION_REQUESTED
IPMLHOT_SWAP_ACTIVATION_IN_PROGRESS
IPMLHOT_SWAP_ACTIVE
IPMLHOT_SWAP_DEACTIVATION_REQUESTED
IPMLHOT_SWAP_DEACTIVATION_IN_PROGRESS
IPMLHOT_SWAP_OUT_OF_CON

```

These may be converted to a string name with the function:

```
char *ipmi_hot_swap_state_name(enum ipmi_hot_swap_states state);
```

Figure 7.1 on the next page shows a simple hot-swap state machine for an entity that only supports presence. In effect, the entity is either not present or present.

Figure 7.2 on page 107 shows a more complex hot-swap state machine. This would be used for an entity that supported some type of power control (the entity can be present but inactive). Upon insertion, the entity will move from not present to inactive. If the entity supports some type of activation request, it will

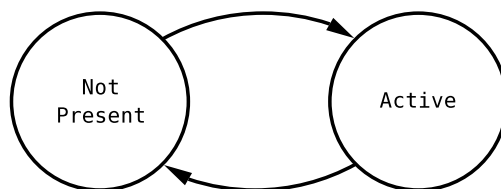


Figure 7.1: Simple Hot-Swap state machine

move from inactive to activation requested when that occurs. If it does not support an activation request, it will move to either activation in progress (if the activation requires some time to occur) or directly to active when the entity is activated. The move from activation requested to activation in progress or active occurs when the entity is activated.

The entity will move to deactivation requested if the entity supports that and the operator requests a deactivation. In active or deactivation requested, the entity will move to deactivation in progress (or directly to inactive if deactivation is immediate) upon the entity being deactivated. Although it is not shown in the diagram, the activation in progress can go to the deactivation states just like the active state; it confused the diagram too much to show this.

Note that any state can go to not present. This is called a surprise extraction; it occurs if the operator does not follow the hot-swap extraction procedure and just pulls the board. The state may also go from any state to out of communication. This occurs if the board is present (or the board presence cannot be detected) and the system loses communication with the entity. If communication is restored, the entity goes to the current state it is in. Some systems may support some manual means to move the entity's state to not present.

When a hot-swap device is inserted, it may or may not be automatically activated. This depends on the policies and capabilities of the chassis where the device is inserted. The device may be deactivated automatically upon a request if that policy is supported by the system.

The following function will allow the current hot-swap state to be fetched:

```

typedef void (*ipmi_entity_hot_swap_state_cb)(ipmi_entity_t      *ent,
                                              int                err,
                                              enum ipmi_hot_swap_states state,
                                              void                *cb_data);

int ipmi_entity_get_hot_swap_state(ipmi_entity_t      *ent,
                                   ipmi_entity_hot_swap_state_cb handler,
                                   void                *cb_data);
  
```

## 7.6.2 Hot-Swap Events

It is possible to register to receive hot-swap changes when they occur. The following functions do the registration and deregistration of a hot-swap handler:

```

typedef int (*ipmi_entity_hot_swap_cb)(ipmi_entity_t      *ent,
                                       enum ipmi_hot_swap_states last_state,
  
```

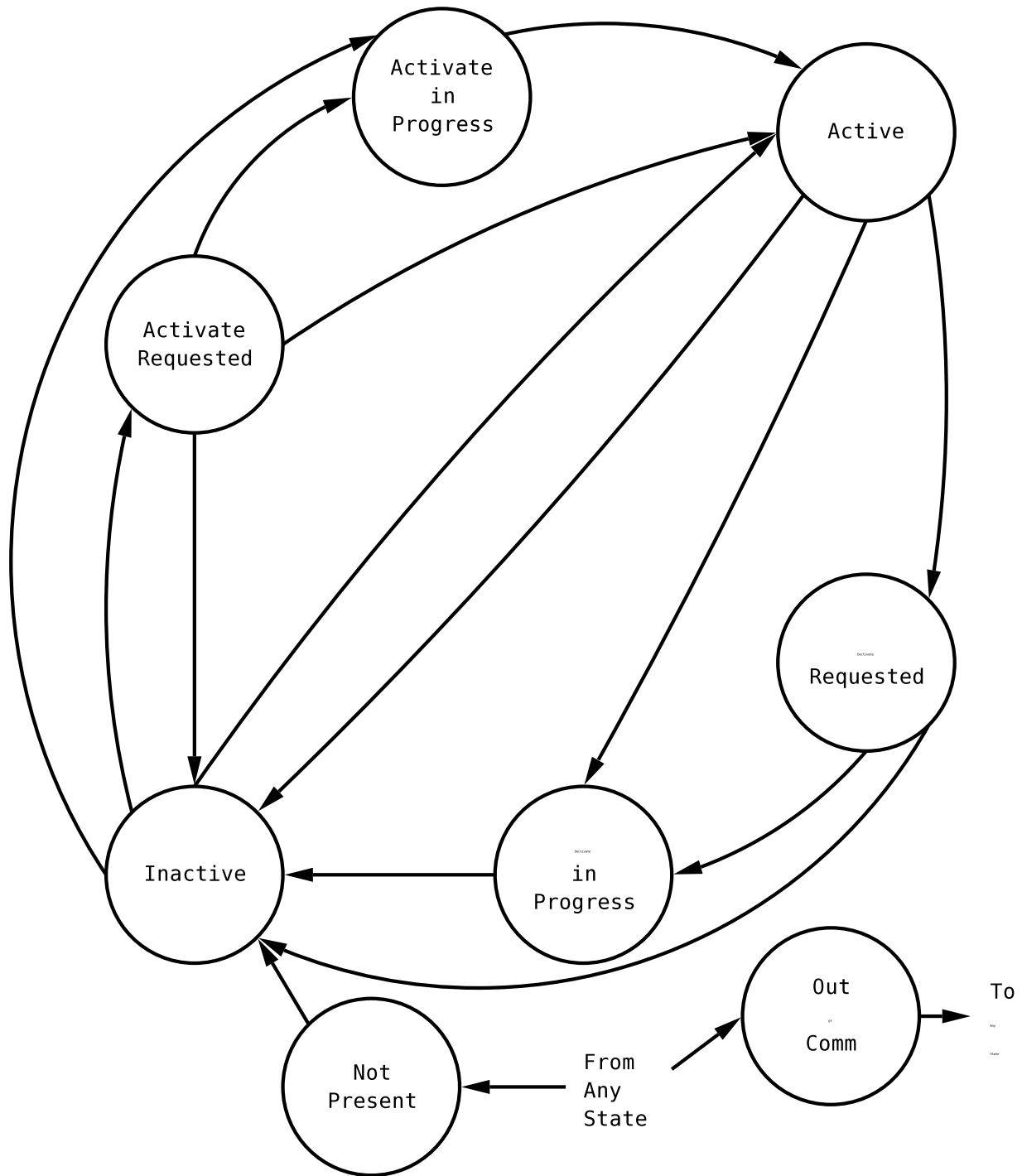


Figure 7.2: Complex Hot-Swap state machine

```

        enum ipmi_hot_swap_states curr_state,
        void *cb_data,
        ipmi_event_t *event);
int ipmi_entity_add_hot_swap_handler(ipmi_entity_t *ent,
        ipmi_entity_hot_swap_cb handler,
        void *cb_data);
int ipmi_entity_remove_hot_swap_handler(ipmi_entity_t *ent,
        ipmi_entity_hot_swap_cb handler,
        void *cb_data);

```

This is a standard event handler as described in section 2.2.5 on page 20

### 7.6.3 Hot-Swap Activation and Deactivation

Devices that have the ability to control power and request power up or removal have some special handling that may be required. Note that some systems may only support a subset of these operations, reference the documentation for the system for more details.

When a device is inserted that has these capabilities, there is generally some way to signal that the device is ready to be powered up. In ATCA, for instance, the operator will insert the card and the entity for the card will go from not present to inactive state. When the operator closes the lock-latch, that signals the system to go to activation requested state.

If a device is in the inactive state, the management software using OpenIPMI can use the following function to force it into activation requested state:

```

int ipmi_entity_set_activation_requested(ipmi_entity_t *ent,
        ipmi_entity_cb done,
        void *cb_data);

```

This can occur if an entity has been moved to the inactive state by the management software then the entity needs to be powered up again. If an entity is sitting in the inactive state but does not support this, then this call will return `ENOSYS` and the entity can be moved directly to active state.

To move an entity to active state (either from inactive or activation requested state), use the following function:

```

int ipmi_entity_activate(ipmi_entity_t *ent,
        ipmi_entity_cb done,
        void *cb_data);

```

This will power the entity up and move it to active state.

Deactivation is similar, but not quite the same. The operator directly working on the device can request a removal using some mechanism. In ATCA, for instance, the operator can open the lock latch on the card and the card entity will move from active to deactivation requested state. Note that unlike activation, there is no way for system management software to request a move to deactivation requested state. It's not really required, since it can request that the entity go directly to inactive state.

To move from either active (or really any state in the activation process) or deactivation requested state to inactive state, the function:



```
int ipmi_entity_deactivate(ipmi_entity_t *ent,
                          ipmi_entity_cb done,
                          void          *cb_data);
```

is used.

### 7.6.4 Auto Activation and Deactivation

Some systems allow the system management software to specify a policy to execute when a device is inserted or a removal is requested. Basically, the time from an activate request to when an activation is automatically started can be specified. The time from a deactivate request to when an deactivation is automatically started can be specified. The following functions can be used to read and update these times:

```
int ipmi_entity_get_auto_activate_time(ipmi_entity_t *ent,
                                       ipmi_entity_time_cb handler,
                                       void          *cb_data);
int ipmi_entity_set_auto_activate_time(ipmi_entity_t *ent,
                                       ipmi_timeout_t auto_act,
                                       ipmi_entity_cb done,
                                       void          *cb_data);
int ipmi_entity_get_auto_deactivate_time(ipmi_entity_t *ent,
                                         ipmi_entity_time_cb handler,
                                         void          *cb_data);
int ipmi_entity_set_auto_deactivate_time(ipmi_entity_t *ent,
                                         ipmi_timeout_t auto_deact,
                                         ipmi_entity_cb done,
                                         void          *cb_data);
```

The timeouts are standard OpenIPMI time values, which are in nanoseconds. These will return `ENOSYS` if the operation is not supported. They will return `EINVAL` if the time is out of range. To disable auto-activation and deactivation, the time may be set to `IPMI_TIMEOUT_FOREVER`. To cause the transitions to occur immediately, set the value to `IPMI_TIMEOUT_NOW`.

## 7.7 FRU Data

OpenIPMI supports fetching all the FRU data supported by the IPMI spec, as well as SPD data in DRAMs. It also supports plugins for handling other types of FRU data that can be provided for OEM data. It is able to fetch and modify all the standard data and all the custom data stored in multi-records and has a multirecord decoder plugin interface with the standard multirecords implements, along with some ATCA record decoders. SPD data (and other data types, unless they provide their own interfaces) can only be decoded. Standard FRU data specified by the IPMI spec can be decoded and written.

### 7.7.1 Reading FRU Data

The FRU data interface has two separate interfaces fetching data data from a FRU data object. One is a generic interface that works with all FRU data type, including SPD or OEM data. The other is an IPMI-specified FRU interface that only works with the FRU data format specified by IPMI.

### Generic FRU Data Interface

The generic FRU interface represents the FRU data as a tree-structured hierarchy of data. Each level of the tree has a “node”. The fields in a node are indexed by number and may contain both data elements and sub-nodes.

Two types of nodes exist. A record node is a set of named fields. The “name” of each field will be returned and the “intval” when the node itself is fetched will be  $-1$ . An array node contains a set of unnamed elements. The “name” of each field will be returned as `NULL` and the “intval” will be the number of elements in the array.

The nodes are refcounted. If you are given a node, you must free the node using `ipmi_fru_put_node()` when you are done with it.

To fetch the root node of a FRU data object, use the function:

```
int ipmi_fru_get_root_node(ipmi_fru_t      *fru,
    const char      **name,
    ipmi_fru_node_t **node);
```

This function returns the name of the FRU, either “SPD FRU” or “standard FRU” or some other OEM name and the actual root node. If either of these is `NULL`, it will be ignored. The root node is always a record node.

To fetch individual fields from a record, use:

```
int ipmi_fru_node_get_field(ipmi_fru_node_t      *node,
    unsigned int      index,
    const char      **name,
    enum ipmi_fru_data_type_e *dtype,
    int      *intval,
    time_t      *time,
    double      *floatval,
    char      **data,
    unsigned int      *data_len,
    ipmi_fru_node_t      **sub_node);
```

The index is a contiguous range from zero that holds every field. So you can iterate through the indexes from 0 until it returns `EINVAL` to find all the fields. If a field is not present in the FRU data, this will return `ENOSYS`. Note that later fields may still be present.

The `name` returns the string name for the index. Note that the indexes may change between release, so don’t rely on absolute numbers. The names will remain the same, so you can rely on those.

The `dtype` field will be set to the data type. The following values are returned:

`IPMI_FRU_DATA_INT` sets `intval`

`IPMI_FRU_DATA_TIME` sets `time`

`IPMI_FRU_DATA_ASCII` sets `data` and `data_len`

`IPMI_FRU_DATA_BINARY` sets `data` and `data_len`

`IPMI_FRU_DATA_UNICODE` sets `data` and `data_len`



The “len” function returns the length of the string. The “type” function returns the type of string per standard OpenIPMI string handling. See section A.1 on page 157 for more details. The last function returns the actual string. The integer that `strlen` points to must be set to the length of the `str` array. Upon return, the integer that `strlen` points to will contain the actual length. If there is not enough space for the whole string, the beginning of the string that fills the array will be copied in. All these functions return an error; the only current return is `ENOSYS` if the parameter is not present.

You may also fetch fru data (except for multi-records) through a single general function. It is a necessarily complex interface. The function is:

```
int ipmi_fru_get(ipmi_fru_t          *fru,
                int                  index,
                char                  **name,
                int                   *num,
                enum ipmi_fru_data_type_e *dtype,
                int                   *intval,
                time_t                *time,
                char                  **data,
                unsigned int          *data_len);
```

The `index` is a contiguous range from zero that holds every FRU data item. So you can iterate through the indexes from 0 until it returns `EINVAL` to find all the names.

The `name` returns the string name for the index. Note that the indexes may change between release, so don't rely on absolute numbers. The names will remain the same, so you can rely on those.

The `number` is a pointer to an integer with the number of the item to get within the field. Some fields (custom records) have multiple items in them. The first item will be zero, and the integer here will be updated to reference the next item. When the last item is reached, the field will be updated to -1. For fields that don't have multiple items, this will not modify the value `num` points to, so you can use that to detect if indexes are used for the item.

The `dtype` field will be set to the data type. If it is an integer value, then `intval` will be set to whatever the value is. If it is a time value, then the `time` field will be filled in. If it is not, then a block of data will be allocated to hold the field and placed into `data`, the length of the data will be in `data_len`. You must free the data when you are done with `ipmi_fru_data_free()`.

This function Returns `EINVAL` if the index is out of range, `ENOSYS` if the particular index is not supported (the name will still be set), or `E2BIG` if the num is too big (again, the name will be set).

Any of the return values may be passed `NULL` to ignore the data.

**Writing FRU Data to a FRU** OpenIPMI supports writing FRU data. This is a *very* dangerous operations and should not be done by general code. There are no locks on the FRU data, so multiple writers can easily corrupt the data. But for doing FRU data updates, OpenIPMI can be used to fetch, modify, and write the FRU data assuming proper care is taken.

To write to the FRU, you must first fetch it by allocating it. If the FRU data currently in the fru is corrupt, you will get errors, but as long as the data length of the FRU is non-zero you can still modify it and write it back out.

After the FRU has been fetched, you may then modify the contents. Remember that each field of a FRU is in an area. To increase the size of a field or add a new field, it's area must have enough space.

You may change the size of an area by increasing or decreasing its length. You may also add a new area, but it must be one of the supported types. You must, however, make sure there is enough empty space to

after the area. OpenIPMI will not rearrange the areas to make space, you have to do that yourself. So you may have to change the offset of an area (and other areas) to make space. The following functions are for working with areas:

```
int ipmi_fru_add_area(ipmi_fru_t *fru,
                    unsigned int area,
                    unsigned int offset,
                    unsigned int length);
int ipmi_fru_delete_area(ipmi_fru_t *fru, int area);
int ipmi_fru_area_get_offset(ipmi_fru_t *fru,
                            unsigned int area,
                            unsigned int *offset);
int ipmi_fru_area_get_length(ipmi_fru_t *fru,
                             unsigned int area,
                             unsigned int *length);
int ipmi_fru_area_set_offset(ipmi_fru_t *fru,
                             unsigned int area,
                             unsigned int offset);
int ipmi_fru_area_set_length(ipmi_fru_t *fru,
                             unsigned int area,
                             unsigned int length);
int ipmi_fru_area_get_used_length(ipmi_fru_t *fru,
                                  unsigned int area,
                                  unsigned int *used_length);
```

The `used_length` variable tells how much of the length of the FRU is actually used. Note that area offsets and length must be multiples of 8.

To change the value of a field, you will use functions of the form:

```
int ipmi_fru_set_chassis_info_type(ipmi_entity_t *entity,
                                   unsigned char type);
int ipmi_entity_set_chassis_info_part_number(ipmi_entity_t *entity,
                                             enum ipmi_str_type_e *type);
char *str,
unsigned int strlen);
int ipmi_fru_set_chassis_info_custom(ipmi_fru_t *fru,
                                     unsigned int num,
                                     enum ipmi_str_type_e type,
                                     char *str,
                                     unsigned int len);
```

These set the fields to the given values. If you set a required field to a NULL string, it will clear the value of the string. If you set a multi-record or custom string to a NULL string, it will delete the record at the given number.

Like the `ipmi_fru_get` function, the following functions allow setting FRU variables by index:

```
int ipmi_fru_set_int_val(ipmi_fru_t *fru,
                        int index,
```

```

        int          num,
        int          val);
int ipmi_fru_set_time_val(ipmi_fru_t *fru,
        int          index,
        int          num,
        time_t       time);
int ipmi_fru_set_data_val(ipmi_fru_t *fru,
        int          index,
        int          num,
        enum ipmi_fru_data_type_e dtype,
        char         *data,
        unsigned int len);

```

The `num` field is ignored if the particular index does not support more than one field (is not a custom field). When adding, if the `num` field is a field that already exists, it will be replaced or updated. If `num` is beyond the last element of the particular item, a new item will be added onto the end, it will not be added at the specific index.

To write the FRU data back out after you have modified it, use the following function:

```
int ipmi_fru_write(ipmi_fru_t *fru, ipmi_fru_fetched_cb done, void *cb_data);
```

## 7.8 Entity SDRs

TBD - write this

# Chapter 8

## Sensors

Sensors, of course, are probably the most interesting part of IPMI. Really, everything else is there so the sensors may be known and monitored. Unfortunately, sensors are also the most complicated part of IPMI. OpenIPMI is really unable to hide a lot of this complexity, it is passed on to the user, so expect to have to do some reading and understanding.

IPMI defines two basic different types of sensors. Threshold sensors monitor “analog” things like temperature, voltage, or fan speed. Discrete sensors monitor events or states, like entity presence, software initialization progress, or if external power is applied to the system. Table 8.1 describes the basic types of sensors.

Table 8.1: Event/Reading Type Codes

Value	#	Description
-------	---	-------------

### 8.1 Sensor Events

Both threshold and discrete sensors may generate events. This is optional, the SDR for the sensor describes the sensor’s event support.

Some sensors support each individual bit or state being enabled or disabled. Others may only support events for the whole sensor being enabled or disabled. Still others may only support a global enable for the entire MC.

### 8.2 Rearm

“Rearm” means setting the sensor so it will go off again.

TBD - write this.

### 8.3 Threshold Sensors

Threshold sensors report their readings in values from 0-255. OpenIPMI makes every effort to convert this to a floating-point value for you to use. IPMI defines standard ways to convert values using various

formulas. OpenIPMI implements all these and provides ways for OEM functions to plug in to provide their own converters. If you have a sensor that cannot be represented using the standard mechanisms, you need to get the OEM algorithms for this and implement them in an OEM plug-in for the sensor.

### 8.3.1 Threshold Sensor Events

You may have events on a threshold sensor by specifying values (called thresholds) where you want the sensor to report an event. Then you can enable the events for the specific thresholds. Not all sensors support all thresholds, some cannot have their events enabled and others cannot have them disabled. The capabilities of a sensor may all be queried by the user to determine what it can do. When the value of the sensor goes outside the threshold an event may be generated. An event may be generated when the value goes back into the threshold.

Events for threshold sensors are mind-bogglingly complicated. Each threshold has four different possible events that can be supported. Only two of them make sense to support for any given threshold, thankfully. And a sensor can have six different thresholds.

IPMI supports events on going below (going low) the threshold and going above the threshold (going high). For each of those, it supports an assertion and deassertion event. Most sensors are either a lower bound (and would thus support an event going below the threshold) or an upper bound (and would thus support an event going above the threshold). Figure 8.1 on the next page shows an upper and lower threshold sensor. When the value of an upper threshold sensor goes above the threshold, that is an assertion going high. When it goes back below the threshold, that is a deassertion going high. On a lower threshold, going below the threshold is a assertion going low. When the value goes back above the threshold, it is an deassertion going low.

Each sensor may have six different thresholds:

- upper non-recoverable
- upper critical
- upper non-critical
- lower non-critical
- lower critical
- lower non-recoverable

The meanings of these are not defined by IPMI, but the meanings are pretty obvious. You may ask, though, why there are both upper and lower thresholds and separate going high and going low events. A going low event is kind of silly on an upper threshold, for instance. The reasoning is not in the spec, but it may be that there are sensors where the “middle” of the range is not ok. So for instance, it may be ok if the temperature is above 100C or below 5C, but the range between those values is not ok. This is extremely unlikely, but this type of structure allows it.

### 8.3.2 Hysteresis

Threshold sensors may have hysteresis, meaning that when the threshold goes on above or below the specified value, the transition point where the threshold goes off is somewhat below or above the given value. For instance, if you want a fan speed sensor to go off when it goes below 150 RPM, if the fan is hanging right around 150 RPM, the sensor may be constantly sending you events as it goes slightly above and slightly below 150 RPM, which is bad because it can overload the system management software. The hysteresis for the fan might be set at 10 rpm, which means that if the speed goes below 150 RPM, then it must go above 160 RPM for the threshold to be disabled. Hysteresis may be settable or may be fixed for the sensor.



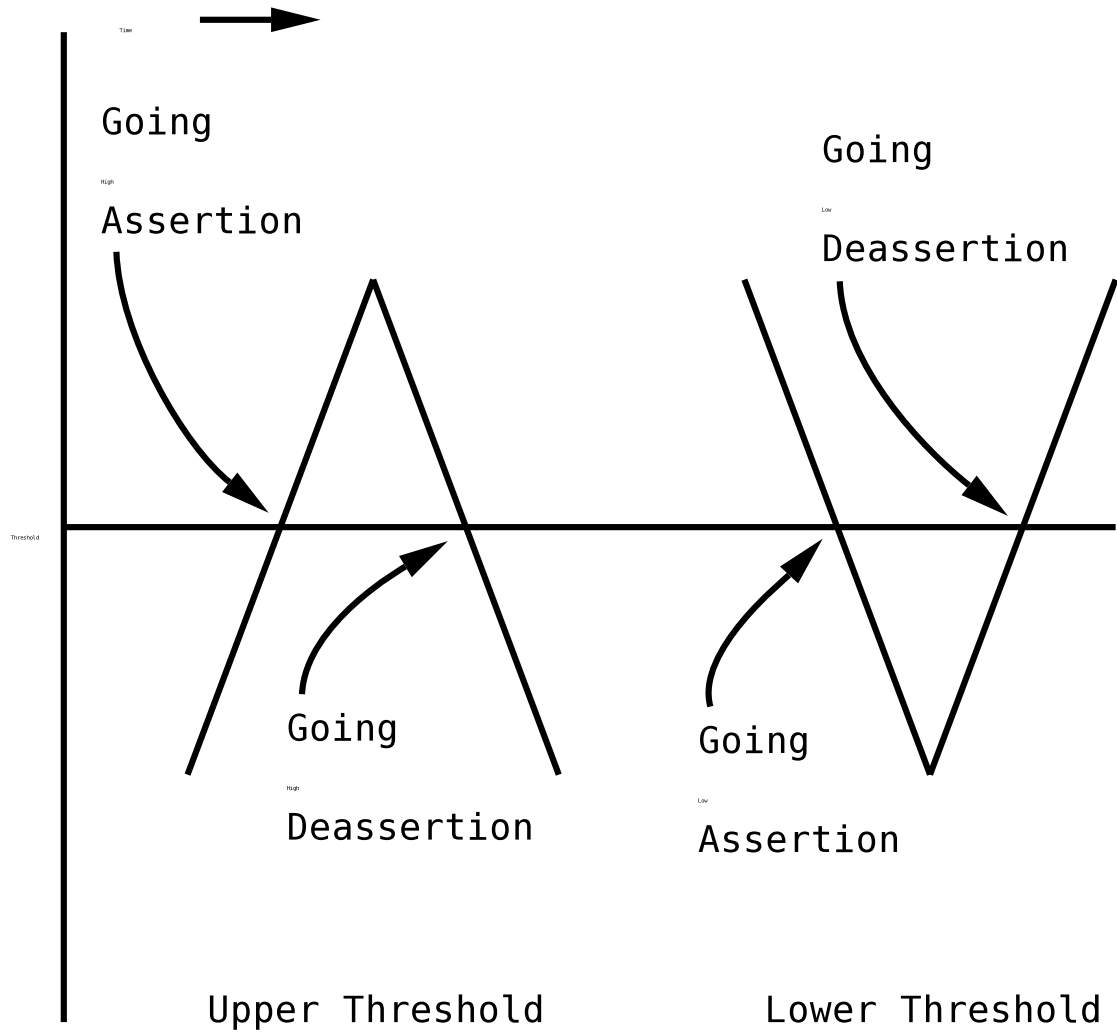


Figure 8.1: Examples of thresholds

Figure 8.2 on page 121 shows an example of going high and going low thresholds with hysteresis. Notice that the deassertion events don't get triggered right at the threshold, but as some point beyond the threshold.

There is only one pair of hysteresis values for a sensor. That pair is used for all thresholds in the sensor. One of the members of the pair is a positive threshold, meaning that it is applied to thresholds that go over a specific value. The value must go that much below the threshold before the threshold goes back in range. The other member is a negative threshold, meaning that it is applied to thresholds that go below a given value. The value must go that much above the threshold before the threshold goes back in range.

## 8.4 Discrete Sensors

Discrete sensors report their readings in a 16-bit bitmask, each bit generally representing a discrete state. For instance, consider the slot/connector sensor. Bit 0 tells if there is a fault. Bit 2 tells if a device is present in the slot. Bit 5 tells if power is off on the slot. Each bit tells a completely independent state and they may each be zero or one independently.

You enable events on the sensor by specifying which bits you want to generate events. Like threshold sensors, these events may or may not be user-controllable. The capabilities of the sensor may be fetched by the user.

Table 8.2: Sensor Types and Codes

Parameter	#	Description
-----------	---	-------------

## 8.5 IPMI Commands Dealing with Sensors

TBD - write this

## 8.6 Using Sensors in OpenIPMI

As mentioned before, IPMI sensors are very complicated. OpenIPMI attempts to hide as much of this complexity as it can, but it can only do so much.

So starting at the beginning, the first thing you need to know about a sensor is its type. You fetch that with the function:

```
int ipmi_sensor_get_event_reading_type(ipmi_sensor_t *sensor);
```

This returns a value from the following table. The names in this table are shortened, all these begin with `IPMI_EVENT_READING_TYPE_`. The values are:

THRESHOLD	The sensor monitors an analog value. All threshold sensors have this value.
DISCRETE_USAGE	These are DMI-based usage states. Valid offsets are: <b>00h</b> - transition to idle <b>01h</b> - transition to active <b>02h</b> - transition to busy

DISCRETE.STATE	Monitors the value of a state. Valid values are: <b>00h</b> - state deasserted <b>01h</b> - state asserted
DISCRETE.PREDICTIVE_FAILURE	This is used to know if an entity is about to fail, but is still operations. Valid values are: <b>00h</b> - predictive failure deasserted <b>01h</b> - predictive failure asserted
DISCRETE.LIMIT_EXCEEDED	This is used to tell if a limit has been exceeded. Valid values are: <b>00h</b> - limit not exceeded <b>01h</b> - limit exceeded
DISCRETE_PERFORMANCE_MET	This is used to tell if system performance is meeting expectations. Valid values are: <b>00h</b> - performance met <b>01h</b> - performance not met
DISCRETE_SEVERITY	This is used to know if an entity is in trouble or other state information. Valid values are: <b>00h</b> - transition to ok <b>01h</b> - transition to non-critical from ok. <b>02h</b> - transition to critical from less critical. <b>03h</b> - transition to non-recoverable from less critical. <b>04h</b> - transition to non-critical from more critical. <b>05h</b> - transition to critical from non-recoverable. <b>06h</b> - transition to non-recoverable. <sup>1</sup> <b>07h</b> - monitor <b>08h</b> - informational The actual meaning of these is not defined by the spec.
DISCRETE_DEVICE_PRESENCE	This is a presence sensor to know when an entity is present or not. Note that OpenIPMI uses this for entity presence if it is available. Valid values are: <b>00h</b> - entity not present <b>01h</b> - entity present
DISCRETE_DEVICE_ENABLE	This tells if a device is enabled. Valid values are: <b>00h</b> - device disabled <b>01h</b> - device enabled

---

<sup>1</sup>This state seems rather silly and is probably not used.

DISCRETE _AVAILABILITY	This tells the current availability state of the device. Valid values are: <b>00h</b> - transition to running <b>01h</b> - transition to in test <b>02h</b> - transition to power off <b>03h</b> - transition to on line <b>04h</b> - transition to off line <b>05h</b> - transition to off duty <b>06h</b> - transition to degraded <b>07h</b> - transition to power save <b>08h</b> - install error
DISCRETE _REDUNDANCY	This shows the redundancy state of an entity. Valid values are: <b>00h</b> - Fully redundant, the entity has full redundancy. <b>01h</b> - Redundancy lost, this is reported if redundancy has been lost at all. <b>02h</b> - Redundance degraded, the system is still redundant but is missing some resources (like the system has four fans and only two are running). <b>03h</b> - Transition from fully redundant to non-redundant: sufficient resource. The entity has lost redundancy but has sufficient resources to continue normal operation. <b>04h</b> - Transition from non-redundant:sufficient resources to non-redundant:insufficient resource. The entity has lost enough resources to continue normal operation. <b>05h</b> - Transition from fully redundant to non-redundant: sufficient resource. The entity has lost redundancy but has sufficient resources to continue normal operation. <b>06h</b> - Non-redundant:insufficient resources. entity has lost redundancy and lost enough resources to continue normal operation. <b>07h</b> - Transition from redundant to redundancy degraded. The unit has lost some redundancy but is still redundant. <b>08h</b> - Transition from redundancy lost to redundancy degraded. The entity had lost redundancy and has regained some redundancy, but is not fully redundant.
DISCRETE_ACPIPOWER	The current ACPI power state of the system. Valid values are: <b>00h</b> - D0 power state <b>01h</b> - D1 power state <b>02h</b> - D2 power state <b>03h</b> - D3 power state
SENSOR_SPECIFIC	This setting means that the offsets in the sensor are dependent on the sensor type. This is only for discrete sensors.

Note that for some operations, threshold sensors and discrete sensor have different functions, and some

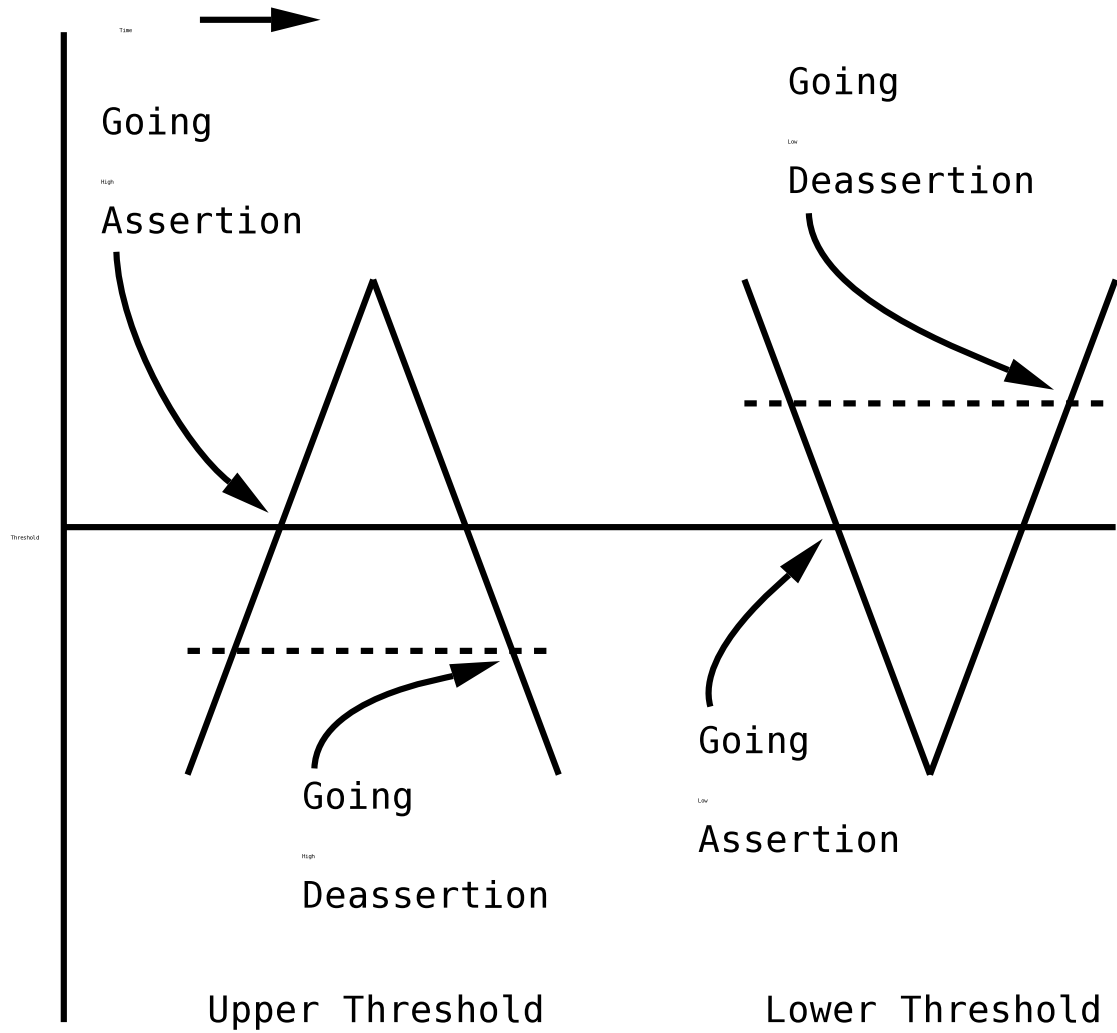


Figure 8.2: Examples of hysteresis

other functions work a little differently.

To know the type of sensor, the function:

```
int ipmi_sensor_get_sensor_type(ipmi_sensor_t *sensor);
```

returns the type. The returns values for this are integer defines that start with IPMISENSOR\_TYPE\_ and have the specific values defined in the following table. Note that discrete sensors in this list have define bit settings; those settings are also defined in this list.

TEMPERATURE	
VOLTAGE	
CURRENT	
FAN	
PHYSICAL_SECURITY	<p>The chassis was opened or accessed.</p> <p><b>00h</b> - General chassis intrusion  <b>01h</b> - Drive bay intrusion  <b>02h</b> - I/O card area intrusion  <b>03h</b> - Processor area intrusion  <b>04h</b> - LAN cable is unplugged  <b>05h</b> - Unauthorized dock/undock  <b>06h</b> - Fan area intrusion (including unauthorized hot-plugs of fans).</p>
PLATFORM_SECURITY	<p><b>00h</b> - The spec says “Secure Mode (Front Panel Lockout) Violation attempt”. The meaning of this is unknown.  <b>01h</b> - User pre-boot password failure.  <b>02h</b> - Setup pre-boot password failure.  <b>03h</b> - Network pre-boot password failure.  <b>04h</b> - Other pre-boot password failure.  <b>05h</b> - Out-of-band pre-boot password failure.</p>
PROCESSOR	<p>Various processor failures. Most of these are very Intel processor centric, you may need to reference the processor manual for the meaning of the failure.</p> <p><b>00h</b> - IERR  <b>01h</b> - Thermal Trip  <b>02h</b> - FRB1/BIST failure  <b>03h</b> - FRB2/Hang in POST failure, if the failure is believed to be due to a processor failure.  <b>04h</b> - FRB3/Processor Startup/Initialization failure (CPU didn't start).  <b>05h</b> - Configuration Error  <b>06h</b> - SMBIOS “Uncorrectable CPU-complex error”  <b>07h</b> - Processor presence detected  <b>08h</b> - Processor disabled  <b>09h</b> - Terminator presence detected</p>

POWER_SUPPLY	<p><b>00h</b> - Presence detected  <b>01h</b> - Failure detected  <b>02h</b> - Predictive failure. This probably means that the power supply is still working but may fail soon.  <b>03h</b> - AC lost  <b>04h</b> - AC lost or out-of-range  <b>05h</b> - AC present but out of range</p>
POWER_UNIT	<p><b>00h</b> - Power off  <b>01h</b> - Power cycle  <b>02h</b> - 240VA power down  <b>03h</b> - Interlock power down  <b>04h</b> - AC lost  <b>05h</b> - Soft power control failure (unit did not response to request)  <b>06h</b> - Failure detected  <b>07h</b> - Predictive failure. This probably means that the power unit is still working but may fail soon.</p>
COOLING_DEVICE	
OTHER_UNITS _BASED_SENSOR	The sensor is a threshold sensor, but not one specified directly by the spec. The units can be fetched with the calls to get the units.
MEMORY	<p><b>00h</b> - Correctable memory error  <b>01h</b> - Uncorrectable memory error  <b>02h</b> - Parity error  <b>03h</b> - Memory scrub failed, probably stuck bit  <b>04h</b> - Memory device disabled  <b>05h</b> - Reached log limit for correctable memory errors</p>
DRIVE_SLOT	
POWER_MEMORY _RESIZE	
SYSTEM_FIRMWARE _PROGRESS	<p>Information about the system firmware (BIOS). In an event, the event data 2 may give further information about the error. See section 10.2 for more info.</p> <p><b>00h</b> - System firmware error (power-on-self-test error)  <b>01h</b> - System firmware hang  <b>02h</b> - System firmware progress</p>

EVENT_LOGGING_DISABLED	<p><b>00h</b> - Correctable memory error logging disabled</p> <p><b>01h</b> - Event logging has been disabled for the sensor specified in the event information. In an event, event data provides more information about the event, see section 10.2 for more info.</p> <p><b>02h</b> - Log area cleared</p> <p><b>03h</b> - All event logging disabled</p>
WATCHDOG_1	<p>This is for IPMI version 0.9 and old 1.0 only. Later 1.0 and newer specs use the watchdog 2 sensor type.</p> <p><b>00h</b> - BIOS watchdog reset</p> <p><b>01h</b> - OS watchdog reset</p> <p><b>02h</b> - OS watchdog shutdown</p> <p><b>03h</b> - OS watchdog power down</p> <p><b>04h</b> - OS watchdog power cycle</p> <p><b>05h</b> - OS watchdog NMI or diagnostic interrupt</p> <p><b>06h</b> - OS watchdog expired, status only</p> <p><b>07h</b> - OS watchdog pre-timeout interrupt, not NMI</p>
SYSTEM_EVENT	<p><b>00h</b> - System reconfigured</p> <p><b>01h</b> - OEM system boot event</p> <p><b>02h</b> - Undetermined system hardware failure</p> <p><b>03h</b> - Entry added to the auxilliary log. In an event, event data provides more information about the event, see section 10.2 for more info.</p> <p><b>04h</b> - PEF action. In an event, event data provides more information about the event, see section 10.2 for more info.</p>
CRITICAL_INTERRUPT	<p><b>00h</b> - Front panel NMI/Diagnostic interrupt</p> <p><b>01h</b> - Bus timeout</p> <p><b>02h</b> - I/O channel check NMI</p> <p><b>03h</b> - Software NMI</p> <p><b>04h</b> - PCI PERR</p> <p><b>05h</b> - PCI SERR</p> <p><b>06h</b> - EISA fail safe timeout</p> <p><b>07h</b> - Bus correctable error</p> <p><b>08h</b> - Bus uncorrectable error</p> <p><b>09h</b> - Fatal NMI (port 61h, bit 7)</p>



BUTTON	<b>00h</b> - Power button pressed <b>01h</b> - Sleep button pressed <b>02h</b> - Reset button pressed
MODULE_BOARD	
MICROCONTROLLER _COPROCESSOR	
ADD_IN_CARD	
CHASSIS	
CHIP_SET	
OTHER_FRU	
CABLE_INTERCONNECT	
TERMINATOR	
SYSTEM_BOOT _INITIATED	<b>00h</b> - Power up <b>01h</b> - Hard reset <b>02h</b> - Warm reset <b>03h</b> - User requested PXE boot <b>04h</b> - Automatic boot to diagnostic
BOOT_ERROR	<b>00h</b> - No bootable media <b>01h</b> - Non-bootable disk in drive <b>02h</b> - PXE server not found <b>03h</b> - Invalid boot sector <b>04h</b> - Timeout waiting for user selection of boot source
OS_BOOT	<b>00h</b> - A: boot completed <b>00h</b> - C: boot completed <b>00h</b> - PXE boot completed <b>00h</b> - Diagnostic boot completed <b>00h</b> - CDROM boot completed <b>00h</b> - ROM boot completed <b>00h</b> - Boot completed, boot device not specified
OS_CRITICAL_STOP	<b>00h</b> - Stop during OS load or initialization <b>01h</b> - Stop during OS operation

SLOT_CONNECTOR	<p>Note that ready for installation, ready for removal, and power states can transition together. In an event, event data provides more information about the event, see section 10.2 for more info.</p> <p><b>00h</b> - Fault status  <b>01h</b> - Identify status  <b>02h</b> - Device installed (includes doc events)  <b>03h</b> - Ready for device installation. This generally means that the power is off.  <b>04h</b> - Ready for device removal.  <b>05h</b> - Power is off  <b>06h</b> - Removal request. This generally means that the user has asserted some mechanism that requests removal.  <b>07h</b> - Interlock. This is generally some mechanical device that disables power to the slot. Assertion means that the disable is active.  <b>08h</b> - Slot is disabled.</p>
SYSTEM_ACPI_POWER_STATE	<p><b>00h</b> - S0/G0 “Working”  <b>01h</b> - S1 “Sleeping, system h/w and processor context maintained”  <b>02h</b> - S2 “Sleeping, processor context lost”  <b>03h</b> - S3 “Sleeping, system h/w and processor context lost, memory maintained”  <b>04h</b> - S4 “non-volatile sleep or suspend to disk”  <b>05h</b> - S5/G2 “soft off”  <b>06h</b> - S4/S5 soft-off, particular S4/S5 state cannot be determined.  <b>07h</b> - G3 “Mechanical off”  <b>08h</b> - Sleeping in an S1, S2, or S3 state, particular state cannot be determined.  <b>09h</b> - G1 sleeping, S1-S4 state cannot be determined  <b>0Ah</b> - S5 state entered by override  <b>0Bh</b> - Legacy on state  <b>0Ch</b> - Legacy off state  <b>0Eh</b> - Unknown</p>
WATCHDOG_2	<p>This is for newer IPMI 1.0 systems and later specs. In an event, event data provides more information about the event, see section 10.2 for more info.</p> <p><b>00h</b> - Timer expired, status only, no action  <b>01h</b> - Hard reset  <b>02h</b> - Power down  <b>03h</b> - Power cycle  <b>08h</b> - Timer interrupts.</p>

PLATFORM_ALERT	Used for monitoring the platform management firmware, status can be fetched and events generated on platform management actions. <b>00h</b> - Page sent <b>01h</b> - LAN alert sent <b>02h</b> - Event trap sent per IPMI PET specification <b>03h</b> - Event trap sent using OEM format
ENTITY_PRESENCE	This is the sensor used to tell if an entity is present or not. This applied to the entity the sensor is attached to. <b>00h</b> - Entity is present <b>01h</b> - Entity is absent <b>02h</b> - Entity is present but disabled
MONITOR_ASIC_IC	
LAN	<b>00h</b> - LAN heartbeat lost <b>01h</b> - LAN heartbeat present
MANAGEMENT _SUBSYSTEM_HEALTH	<b>00h</b> - Sensor access degraded or unavailable <b>01h</b> - Controller access degraded or unavailable <b>02h</b> - Management controller offline <b>03h</b> - Management controller unavailable
BATTERY	<b>00h</b> - Battery is low <b>01h</b> - Battery failed <b>02h</b> - Battery is present.

Strings are available from the sensor that describe the sensor type and event reading type. Note that these may be set to valid values by OEM code even if the values are OEM, so these can be very useful.

```
char *ipmi_sensor_get_sensor_type_string(ipmi_sensor_t *sensor);
char *ipmi_sensor_get_event_reading_type_string(ipmi_sensor_t *sensor);
```

As well as the strings, the specific reading information from the above table is also available, supply the sensor type and offset and a string is returned. The function is:

```
char *ipmi_sensor_reading_name_string(ipmi_sensor_t *sensor, int offset);
```

### 8.6.1 General Information About Sensors in OpenIPMI

The following section applies to all sensor types.

### Sensor Entity Information

Every sensor is associated with a specific entity, these calls let you fetch the entity information. The following calls return the numeric entity id and instance:

```
int ipmi_sensor_get_entity_id(ipmi_sensor_t *sensor);
int ipmi_sensor_get_entity_instance(ipmi_sensor_t *sensor);
```

Generally, though, that is not what you want. You want the actual entity object, which may be fetched with the following:

```
ipmi_entity_t *ipmi_sensor_get_entity(ipmi_sensor_t *sensor);
```

Note that the entity is refcounted when the sensor is claimed, so the entity will exist while you have a valid reference to a sensor it contains.

### Sensor Name

The SDR contains a string giving a name for the sensor. This is useful for printing out sensor information. The functions to get this are:

```
int ipmi_sensor_get_id_length(ipmi_sensor_t *sensor);
enum ipmi_str_type_e ipmi_sensor_get_id_type(ipmi_sensor_t *sensor);
int ipmi_sensor_get_id(ipmi_sensor_t *sensor, char *id, int length);
```

See appendix A.1 for more information about these strings.

The function

```
int ipmi_sensor_get_name(ipmi_sensor_t *sensor, char *name, int length);
```

returns a fully qualified name for the sensor with the entity name prepended. The name array is filled with the name, up to the length given. This is useful for printing string names for the sensor.

### Sensor Event Support in OpenIPMI

Sensors may support event enables in different ways. The following function returns what type of event enable is supported:

```
int ipmi_sensor_get_event_support(ipmi_sensor_t *sensor);
```

The return values are all prepended with `IPMI_EVENT_SUPPORT_`, values are:

PER_STATE	Each individual state or threshold may individually have its events turned off and on. This means that the individual thresholds and states may be individually enabled.
ENTIRE_SENSOR	The entire sensor may have events enabled and disabled using the <code>events_enabled</code> setting when setting the event enables. Section 8.6.1 describes this setting.
GLOBAL_ENABLE	Events may only be enabled and disabled for the whole management controller. Events are disabled by setting the event receiver to 00h, or enabled by setting them to the proper event receiver. See section 4.1.5 for more details.
NONE	The sensor does not support events.

Note that the more general event enables work and override the more specific ones, so if, for instance, a sensor supports per-state event enables, it will also support the entire sensor and global enables. The entire sensor enable being off will override all per-state enables. The global enable will turn off all events from a management controller no matter what other settings are present.

To receive events from a sensor, an event handler must be registered. An event handler may also be dynamically removed. The following functions do this for discrete sensors:

```
typedef int (*ipmi_sensor_discrete_event_cb)(
    ipmi_sensor_t      *sensor,
    enum ipmi_event_dir_e dir,
    int                offset,
    int                severity,
    int                prev_severity,
    void               *cb_data,
    ipmi_event_t      *event);
int ipmi_sensor_add_discrete_event_handler(
    ipmi_sensor_t      *sensor,
    ipmi_sensor_discrete_event_cb handler,
    void               *cb_data);
int ipmi_sensor_remove_discrete_event_handler(
    ipmi_sensor_t      *sensor,
    ipmi_sensor_discrete_event_cb handler,
    void               *cb_data);
```

The following functions do this for threshold sensors:

```
typedef int (*ipmi_sensor_threshold_event_cb)(
    ipmi_sensor_t      *sensor,
    enum ipmi_event_dir_e dir,
    enum ipmi_thresh_e threshold,
    enum ipmi_event_value_dir_e high_low,
    enum ipmi_value_present_e value_present,
    unsigned int       raw_value,
    double             value,
    void               *cb_data,
    ipmi_event_t      *event);
int ipmi_sensor_add_threshold_event_handler(
    ipmi_sensor_t      *sensor,
    ipmi_sensor_threshold_event_cb handler,
    void               *cb_data);
int ipmi_sensor_remove_threshold_event_handler(
    ipmi_sensor_t      *sensor,
    ipmi_sensor_threshold_event_cb handler,
    void               *cb_data);
```

This function should generally be registered in the entity callback that reports the sensor being added, so that no events will be missed. This is a standard event handler as defined in section 2.2.5 on page 20.

### Sensor/Entity Existence Interaction

Some sensors are present even if the entity they are attached to is not present. The following will return true if the entity should be ignore if the entity is not present. It will return false if the sensor is present even when the entity is not present.

```
int ipmi_sensor_get_ignore_if_no_entity(ipmi_sensor_t *sensor);
```

### Sensor States

When reading the value of a sensor or handling an even, a state data structure is generally available in a read-only data structure. This tells the state of the various thresholds or bits in the sensor. This is an opaque data structure, you do not have access to any of the contents. The data structure is defined as:

```
typedef struct ipmi_states_s ipmi_states_t;
```

To keep your own copy of a states data structure, you may allocate and copy one using the following functions:

```
unsigned int ipmi_states_size(void);
void ipmi_copy_states(ipmi_states_t *dest, ipmi_states_t *src);
```

This allows you to find the size and copy the information in one of these structures. For example, to make your own copy, do something like:

```
my_states = malloc(ipmi_states_size());
if (!my_states)
    handle_error()
else
    ipmi_copy_states(my_states, states);
```

Information about the whole sensor is available using the following functions:

```
int ipmi_is_event_messages_enabled(ipmi_states_t *states);
int ipmi_is_sensor_scanning_enabled(ipmi_states_t *states);
int ipmi_is_initial_update_in_progress(ipmi_states_t *states);
```

If event messages are enabled, then the sensor may generate events. If scanning is enabled, then the sensor is “turned on” and working. If initial update is in progress, the information from the sensor is not valid since the sensor is still trying to get a valid reading.

### Sensor Event State Information

The event state structure is an opaque structure that is used to control the event settings of a sensor, if it supports at least individual sensor event control. This is much like the state data structure defined in section 8.6.1, but it is used to control event settings instead of just get the current state. The data structure is defined as:

```
typedef struct ipmi_event_state_s ipmi_event_state_t;
```



```
int ipmi_sensor_disable_events(ipmi_sensor_t      *sensor,
                              ipmi_event_state_t  *states,
                              ipmi_sensor_done_cb  done,
                              void                *cb_data);
```

The “set” function will set the states to exactly what is set in the event state structure. The “enable” function will only enable the states that are set in the event state structure. The “disable” function will disable the events that are set in the event state structure. Note that the disable does *not* disable the events that are not set, it really disables the events that *are* set. All of these functions will set the event enable and scanning enable to the values in the event state structure.

To query the current event state settings, use the following function:

```
typedef void (*ipmi_sensor_event_enables_cb)(ipmi_sensor_t      *sensor,
                                             int                err,
                                             ipmi_event_state_t *states,
                                             void                *cb_data);
int ipmi_sensor_get_event_enables(ipmi_sensor_t      *sensor,
                                  ipmi_event_enables_get_cb done,
                                  void                *cb_data);
```

Appendix I on page 185 contains a program that demonstrates how to use many of the functions described in this section.

### Rearm in OpenIPMI

TBD - write this.

```
int ipmi_sensor_get_supports_auto_rearm(ipmi_sensor_t *sensor);

int ipmi_sensor_rearm(ipmi_sensor_t      *sensor,
                      int                global_enable,
                      ipmi_event_state_t *state,
                      ipmi_sensor_done_cb done,
                      void                *cb_data);
```

### Initialization

When a sensor is stored in the main SDR repository of a system, the BMC may initialize certain aspects of the sensor at power up. The following fetch if these aspects are initialized at power up. Note that “pu” means “Power Up” in the following names.

```
int ipmi_sensor_get_sensor_init_scanning(ipmi_sensor_t *sensor);
int ipmi_sensor_get_sensor_init_events(ipmi_sensor_t *sensor);
int ipmi_sensor_get_sensor_init_thresholds(ipmi_sensor_t *sensor);
int ipmi_sensor_get_sensor_init_hysteresis(ipmi_sensor_t *sensor);
int ipmi_sensor_get_sensor_init_type(ipmi_sensor_t *sensor);
int ipmi_sensor_get_sensor_init_pu_events(ipmi_sensor_t *sensor);
int ipmi_sensor_get_sensor_init_pu_scanning(ipmi_sensor_t *sensor);
```



## 8.6.2 Threshold Sensors in OpenIPMI

As mentioned before, threshold sensors monitor analog values. This means that they have a lot of information about how to convert the values from the raw readings (the 0-255 value returned from the sensor) into useful readings, what thresholds are supported, hysteresis settings, and a plethora of other settings. Lots of things can be set up for threshold sensors.

### Threshold Sensor Readings in OpenIPMI

The reading of a threshold sensor is done with the following:

```
typedef void (*ipmi_sensor_reading_cb)(ipmi_sensor_t      *sensor,
                                       int                err,
                                       enum ipmi_value_present_e value_present,
                                       unsigned int       raw_value,
                                       double             val,
                                       ipmi_states_t      *states,
                                       void               *cb_data);

int ipmi_sensor_get_reading(ipmi_sensor_t      *sensor,
                           ipmi_reading_done_cb done,
                           void               *cb_data);
```

Assuming there was no error, the `value_present` field will be set to one of the following:

**IPMI\_NO\_VALUES\_PRESENT** - Neither the raw or the converted values are present. Only the states are valid. This will be the case for thresholds sensors that cannot have their value read.

**IPMI\_RAW\_VALUE\_PRESENT** - Only the raw value is present. This will be the case if there was no conversion algorithm available for the sensor.

**IPMI\_BOTH\_VALUES\_PRESENT** - Both the raw and converted values are present.

The current states of the various thresholds (whether they are out of range or not) is returned in the `states` parameter. To know if a sensor sets a threshold state setting when the value is read, use the following function:

```
int ipmi_sensor_threshold_reading_supported(ipmi_sensor_t      *sensor,
                                           enum ipmi_thresh_e thresh,
                                           int                *val);
```

This may not mean that the threshold will generate events (although it will almost certainly mean that, the spec is not clear on this). It is only defined to mean that the threshold is returned in the reading.

For threshold sensors, the function:

```
int ipmi_is_threshold_out_of_range(ipmi_states_t      *states,
                                   enum ipmi_thresh_e thresh);
```

will return true if the given threshold is out of range and false if not.

### Threshold Sensor Events in OpenIPMI

Section 8.6.1 on page 128 shows the general support for events for all sensor types. Threshold sensors have their own special routines for handling the thresholds.

Thresholds in a sensor may be settable or fixed and may or may not be able to be read. The function

```
int ipmi_sensor_get_threshold_access(ipmi_sensor_t *sensor);
```

returns the event threshold access support of the sensor, return values are

**IPMI\_THRESHOLD\_ACCESS\_SUPPORT\_NONE** - The sensor does not support thresholds.

**IPMI\_THRESHOLD\_ACCESS\_SUPPORT\_READABLE** - The sensor supports thresholds and their values may be read with `ipmi_thresholds_get`, but cannot be written.

**IPMI\_THRESHOLD\_ACCESS\_SUPPORT\_SETTABLE** - The sensor supports thresholds and they may be read and written.

**IPMI\_THRESHOLD\_ACCESS\_SUPPORT\_FIXED** - The sensor supports thresholds and they are fixed and may not be read or changed. `ipmi_get_default_sensor_thresholds` should return the fixed values of this sensor.

In addition to this, individual thresholds may be readable or settable individually. To find this, the following functions will return true if a specific threshold is readable or settable, and false if not:

```
int ipmi_sensor_threshold_settable(ipmi_sensor_t    *sensor,
                                   enum ipmi_thresh_e threshold,
                                   int                *val);
int ipmi_sensor_threshold_readable(ipmi_sensor_t    *sensor,
                                   enum ipmi_thresh_e threshold,
                                   int                *val);
```

The specific threshold values in the enumeration are:

```
IPMILOWER_NON_CRITICAL
IPMILOWER_CRITICAL
IPMILOWER_NON_RECOVERABLE
IPMILUPPER_NON_CRITICAL
IPMILUPPER_CRITICAL
IPMILUPPER_NON_RECOVERABLE
```

The function

```
char *ipmi_get_threshold_string(enum ipmi_thresh_e val);
```

converts the value to a string.

To actually get and set the thresholds for a sensor, a threshold data structure is used. This data structure is opaque.

To create or keep your own copy of a threshold data structure, you may allocate and copy one using the following functions:

```
unsigned int ipmi_threshold_size(void);
void ipmi_copy_thresholds(ipmi_thresholds_t *dest, ipmi_thresholds_t *src);
```

This allows you to find the size and copy the information in one of these structures. For example, to make your own copy, do something like:

```
my_th = malloc(ipmi_thresholds_size());
if (!my_th)
    handle_error()
else
    ipmi_copy_thresholds(my_th, th);
```

If you want to create one, allocate it as above and initialize it with

```
void ipmi_thresholds_init(ipmi_thresholds_t *th);
```

This clears all settings. The following functions are then available to set the various threshold values:

```
int ipmi_threshold_set(ipmi_thresholds_t *th,
                      ipmi_sensor_t *sensor,
                      enum ipmi_thresh_e threshold,
                      double value);
int ipmi_threshold_get(ipmi_thresholds_t *th,
                      enum ipmi_thresh_e threshold,
                      double *value);
```

These get and set the values in the data structure. This does not affect the actual sensor until you send the thresholds to the sensor.

To send a set of thresholds to a sensor, use the following function:

```
int ipmi_sensor_set_thresholds(ipmi_sensor_t *sensor,
                              ipmi_thresholds_t *thresholds,
                              ipmi_sensor_done_cb done,
                              void *cb_data);
```

To get the current threshold settings of a sensor, use:

```
typedef void (*ipmi_sensor_thresholds_cb)(ipmi_sensor_t *sensor,
                                          int err,
                                          ipmi_thresholds_t *th,
                                          void *cb_data);
int ipmi_sensor_get_thresholds(ipmi_sensor_t *sensor,
                              ipmi_thresh_get_cb done,
                              void *cb_data);
```

To find out which thresholds support events, the following can be used to tell if a specific thresholds support a specific event:

```
int ipmi_sensor_threshold_event_supported(
    ipmi_sensor_t *sensor,
    enum ipmi_thresh_e threshold,
    enum ipmi_event_value_dir_e value_dir,
    enum ipmi_event_dir_e dir,
    int *val);
```

The `value_dir` parameter specifies if the “going low” or “going high” events are being queried. Value for this are:

```
IPMLGOING_LOW
IPMLGOING_HIGH
```

The `dir` parameter specifies if the “assertion” or “deassertion” events are being queried. Value for this are:

```
IPMLASSERTION
IPMLDEASSERTION
```

Using these, all the thresholds and directions may be iterated through to find out what the sensor supports. The functions

```
char *ipmi_get_value_dir_string(enum ipmi_event_value_dir_e val);
char *ipmi_get_event_dir_string(enum ipmi_event_dir_e val);
```

converts the `value_dir` and `dir` values to strings.

To actually enable or disable individual events for a sensor, an event state structure must be created. An event state structure is passed in when the event state of a sensor is queried. To set or clear individual events in one of these structures, use the following:

```
void ipmi_threshold_event_clear(ipmi_event_state_t      *events,
                               enum ipmi_thresh_e      threshold,
                               enum ipmi_event_value_dir_e value_dir,
                               enum ipmi_event_dir_e     dir);
void ipmi_threshold_event_set(ipmi_event_state_t      *events,
                              enum ipmi_thresh_e      threshold,
                              enum ipmi_event_value_dir_e value_dir,
                              enum ipmi_event_dir_e     dir);
```

To see if a specific event is set, use:

```
int ipmi_is_threshold_event_set(ipmi_event_state_t      *events,
                                enum ipmi_thresh_e      threshold,
                                enum ipmi_event_value_dir_e value_dir,
                                enum ipmi_event_dir_e     dir);
```

### Threshold Sensor Units in OpenIPMI

In IPMI, the SDR gives quite a bit of information about what the converted value means. The units are specified, unit modifiers and rates, and whether the measurement is a percentage.

Unit come in three types, the normal unit, the rate unit (which give a “per time” modifiers) and a modifier unit (which gives whether the measurement has a modifier unit, and whether it is a division or a multiplication.

The units on a sensor are specified as a base unit, and optional modifier unit and how that is used, and a rate unit. The modifier unit is specified in the same type as a base unit. A boolean specifying whether the value is a percentage is also available.

This may sound somewhat complicated, but it is not as bad as it sounds. In most cases only the base unit is used, the modifier unit use is none (thus the modifier is turned off), the rate unit is none, and it is not a percentage. But you can use all of these. For instance, if a sensor measures percent of newton×meters per second, that would use all of these. The base unit would be newtons, the modifier unit use would be

multiply, the modifier unit would be meters, the rate unit would be per second, and the percentage would be true.

The following functions return these units for a sensor:

```
enum ipmi_unit_type_e ipmi_sensor_get_base_unit(ipmi_sensor_t *sensor);
enum ipmi_unit_type_e ipmi_sensor_get_modifier_unit(ipmi_sensor_t *sensor);
enum ipmi_rate_unit_e ipmi_sensor_get_rate_unit(ipmi_sensor_t *sensor);
enum ipmi_modifier_unit_use_e ipmi_sensor_get_modifier_unit_use(
    ipmi_sensor_t *sensor);
int ipmi_sensor_get_percentage(ipmi_sensor_t *sensor);
```

The following return string representations for the units:

```
char *ipmi_sensor_get_rate_unit_string(ipmi_sensor_t *sensor);
char *ipmi_sensor_get_base_unit_string(ipmi_sensor_t *sensor);
char *ipmi_sensor_get_modifier_unit_string(ipmi_sensor_t *sensor);
```

Note that for OEM values, OEM code may set the strings even though the unit enumerations return an invalid value. So use the strings if you can.

As a quick example, the following code will print out a value with all the various units attached:

```
char *percent = "";
char *base;
char *mod_use = "";
char *modifier = "";
char *rate;

base = ipmi_sensor_get_base_unit_string(sensor);
if (ipmi_sensor_get_percentage(sensor))
    percent = "%";
switch (ipmi_sensor_get_modifier_unit_use(sensor)) {
case IPMI_MODIFIER_UNIT_NONE:
    break;
case IPMI_MODIFIER_UNIT_BASE_DIV_MOD:
    mod_use = "/";
    modifier = ipmi_sensor_get_modifier_unit_string(sensor);
    break;
case IPMI_MODIFIER_UNIT_BASE_MULT_MOD:
    mod_use = "*";
    modifier = ipmi_sensor_get_modifier_unit_string(sensor);
    break;
}
rate = ipmi_sensor_get_rate_unit_string(sensor);

printf(" value: %lf%s %s%s%s%s\n", val, percent,
       base, mod_use, modifier, rate);
```

The modifier units uses in OpenIPMI are:

IPML\_MODIFIER\_UNIT\_NONE  
IPML\_MODIFIER\_UNIT\_BASE\_DIV\_MOD  
IPML\_MODIFIER\_UNIT\_BASE\_MULT\_MOD

The rate units are:

IPML\_RATE\_UNIT\_NONE  
IPML\_RATE\_UNIT\_PER\_US  
IPML\_RATE\_UNIT\_PER\_MS  
IPML\_RATE\_UNIT\_PER\_SEC  
IPML\_RATE\_UNIT\_MIN  
IPML\_RATE\_UNIT\_HOUR  
IPML\_RATE\_UNIT\_DAY

The normal units are:

IPML\_UNIT\_TYPE\_UNSPECIFIED  
IPML\_UNIT\_TYPE\_DEGREES\_C  
IPML\_UNIT\_TYPE\_DEGREES\_F  
IPML\_UNIT\_TYPE\_DEGREES\_K  
IPML\_UNIT\_TYPE\_VOLTS  
IPML\_UNIT\_TYPE\_AMPS  
IPML\_UNIT\_TYPE\_WATTS  
IPML\_UNIT\_TYPE\_JOULES  
IPML\_UNIT\_TYPE\_COULOMBS  
IPML\_UNIT\_TYPE\_VA  
IPML\_UNIT\_TYPE\_NITS  
IPML\_UNIT\_TYPE\_LUMENS  
IPML\_UNIT\_TYPE\_LUX  
IPML\_UNIT\_TYPE\_CANDELA  
IPML\_UNIT\_TYPE\_KPA  
IPML\_UNIT\_TYPE\_PSI  
IPML\_UNIT\_TYPE\_NEWTONS  
IPML\_UNIT\_TYPE\_CFM  
IPML\_UNIT\_TYPE\_RPM  
IPML\_UNIT\_TYPE\_HZ  
IPML\_UNIT\_TYPE\_USECONDS  
IPML\_UNIT\_TYPE\_MSECONDS  
IPML\_UNIT\_TYPE\_SECONDS  
IPML\_UNIT\_TYPE\_MINUTE  
IPML\_UNIT\_TYPE\_HOUR  
IPML\_UNIT\_TYPE\_DAY  
IPML\_UNIT\_TYPE\_WEEK  
IPML\_UNIT\_TYPE\_MIL  
IPML\_UNIT\_TYPE\_INCHES  
IPML\_UNIT\_TYPE\_FEET  
IPML\_UNIT\_TYPE\_CUBIC\_INCHS  
IPML\_UNIT\_TYPE\_CUBIC\_FEET  
IPML\_UNIT\_TYPE\_MILLIMETERS  
IPML\_UNIT\_TYPE\_CENTIMETERS

IPML\_UNIT\_TYPE\_METERS  
IPML\_UNIT\_TYPE\_CUBIC\_CENTIMETERS  
IPML\_UNIT\_TYPE\_CUBIC\_METERS  
IPML\_UNIT\_TYPE\_LITERS  
IPML\_UNIT\_TYPE\_FL\_OZ  
IPML\_UNIT\_TYPE\_RADIANS  
IPML\_UNIT\_TYPE\_SERADIANS  
IPML\_UNIT\_TYPE\_REVOLUTIONS  
IPML\_UNIT\_TYPE\_CYCLES  
IPML\_UNIT\_TYPE\_GRAVITIES  
IPML\_UNIT\_TYPE\_OUNCES  
IPML\_UNIT\_TYPE\_POUNDS  
IPML\_UNIT\_TYPE\_FOOT\_POUNDS  
IPML\_UNIT\_TYPE\_OUNCE\_INCHES  
IPML\_UNIT\_TYPE\_GAUSS  
IPML\_UNIT\_TYPE\_GILBERTS  
IPML\_UNIT\_TYPE\_HENRIES  
IPML\_UNIT\_TYPE\_MHENRIES  
IPML\_UNIT\_TYPE\_FARADS  
IPML\_UNIT\_TYPE\_UFARADS  
IPML\_UNIT\_TYPE\_OHMS  
IPML\_UNIT\_TYPE\_SIEMENS  
IPML\_UNIT\_TYPE\_MOLES  
IPML\_UNIT\_TYPE\_BECQUERELS  
IPML\_UNIT\_TYPE\_PPM  
IPML\_UNIT\_TYPE\_reserved1  
IPML\_UNIT\_TYPE\_DECIBELS  
IPML\_UNIT\_TYPE\_DbA  
IPML\_UNIT\_TYPE\_DbC  
IPML\_UNIT\_TYPE\_GRAYS  
IPML\_UNIT\_TYPE\_SIEVERTS  
IPML\_UNIT\_TYPE\_COLOR\_TEMP\_DEG\_K  
IPML\_UNIT\_TYPE\_BITS  
IPML\_UNIT\_TYPE\_KBITS  
IPML\_UNIT\_TYPE\_MBITS  
IPML\_UNIT\_TYPE\_GBITS  
IPML\_UNIT\_TYPE\_BYTES  
IPML\_UNIT\_TYPE\_KBYTES  
IPML\_UNIT\_TYPE\_MBYTES  
IPML\_UNIT\_TYPE\_GBYTES  
IPML\_UNIT\_TYPE\_WORDS  
IPML\_UNIT\_TYPE\_DWORDS  
IPML\_UNIT\_TYPE\_QWORDS  
IPML\_UNIT\_TYPE\_LINES  
IPML\_UNIT\_TYPE\_HITS  
IPML\_UNIT\_TYPE\_MISSES

```

IPMI_UNIT_TYPE_RETRIES
IPMI_UNIT_TYPE_RESETS
IPMI_UNIT_TYPE_OVERRUNS
IPMI_UNIT_TYPE_UNDERRUNS
IPMI_UNIT_TYPE_COLLISIONS
IPMI_UNIT_TYPE_PACKETS
IPMI_UNIT_TYPE_MESSAGES
IPMI_UNIT_TYPE_CHARACTERS
IPMI_UNIT_TYPE_ERRORS
IPMI_UNIT_TYPE_CORRECTABLE_ERRORS
IPMI_UNIT_TYPE_UNCORRECTABLE_ERRORS
IPMI_UNIT_TYPE_FATAL_ERRORS
IPMI_UNIT_TYPE_GRAMS

```

The meanings of these values are not defined by the spec, but should be fairly obvious.

### Threshold Sensor Hysteresis in OpenIPMI

OpenIPMI allows hysteresis to be fetched from a sensor and written to a sensor. Unfortunately, OpenIPMI does not have a very good way to represent the actual hysteresis value. The trouble is that hysteresis is not set per-threshold; it only has one hysteresis value that is applied to all thresholds for a sensor. This means that you cannot set a floating-point offset for hysteresis because the same floating-point hysteresis value may result in a different raw hysteresis value for each sensor<sup>2</sup>. This is one of the rare situations where IPMI could have been a bit more flexible (usually it is too flexible). Because of this situation, the hysteresis value is set as a raw value.

A separate positive and negative hysteresis can exist for a sensor. The positive value is for the “going higher” thresholds, it is the amount that must be subtracted from the threshold where the threshold will go back in range. The negative value is for the “going lower” thresholds, it is the amount that must be added to the threshold where the threshold will go back in range.

To know what type of hysteresis a sensor supports, use:

```
int ipmi_sensor_get_hysteresis_support(ipmi_sensor_t *sensor);
```

This returns one of the following values:

**IPMI\_HYSTERESIS\_SUPPORT\_NONE** - The sensor does not support hysteresis.

**IPMI\_HYSTERESIS\_SUPPORT\_READABLE** - The sensor has hysteresis, but the value cannot be set. It can be read.

**IPMI\_HYSTERESIS\_SUPPORT\_SETTABLE** - The sensor has hysteresis and the value can be both set and read.

**IPMI\_HYSTERESIS\_SUPPORT\_FIXED** - The sensor has hysteresis but the value cannot be read or set. If the default hysteresis values are non-zero, then they are the fixed hysteresis for the sensor. Otherwise the values are unknown.

The default hysteresis can be read using:

---

<sup>2</sup>This is due to the fact that some sensors are non-linear.



```
int ipmi_sensor_get_positive_going_threshold_hysteresis(ipmi_sensor_t *sensor);
int ipmi_sensor_get_negative_going_threshold_hysteresis(ipmi_sensor_t *sensor);
```

To fetch and set the current threshold values for a sensor (assuming it support these operations), use:

```
typedef void (*ipmi_sensor__hysteresis_cb)(ipmi_sensor_t *sensor,
                                           int err,
                                           unsigned int positive_hysteresis,
                                           unsigned int negative_hysteresis,
                                           void *cb_data);

int ipmi_sensor_get_hysteresis(ipmi_sensor_t *sensor,
                              ipmi_hysteresis_get_cb done,
                              void *cb_data);

int ipmi_sensor_set_hysteresis(ipmi_sensor_t *sensor,
                              unsigned int positive_hysteresis,
                              unsigned int negative_hysteresis,
                              ipmi_sensor_done_cb done,
                              void *cb_data);
```

### Threshold Sensor Reading Information in OpenIPMI

In addition to all this, IPMI gives some more information about the readings. The following allow the user to get the accuracy and tolerance of the readings from the sensor:

```
int ipmi_sensor_get_tolerance(ipmi_sensor_t *sensor,
                             int val,
                             double *tolerance);

int ipmi_sensor_get_accuracy(ipmi_sensor_t *sensor, int val, double *accuracy);
```

The sensor also may have defined ranges and nominal readings. If a value of this type is specified, then the `_specified` functions below will return true and the specific value will be available:

```
int ipmi_sensor_get_normal_min_specified(ipmi_sensor_t *sensor);
int ipmi_sensor_get_normal_min(ipmi_sensor_t *sensor, double *normal_min);

int ipmi_sensor_get_normal_max_specified(ipmi_sensor_t *sensor);
int ipmi_sensor_get_normal_max(ipmi_sensor_t *sensor, double *normal_max);

int ipmi_sensor_get_nominal_reading_specified(ipmi_sensor_t *sensor);
int ipmi_sensor_get_nominal_reading(ipmi_sensor_t *sensor,
                                     double *nominal_reading);
```

The normal min and max give the standard operating range of a sensor. The nominal reading is the “normal” value the sensor should read.

The sensor may also have absolute minimum and maximum values. These can be fetched with the following functions:

```
int ipmi_sensor_get_sensor_max(ipmi_sensor_t *sensor, double *sensor_max);
int ipmi_sensor_get_sensor_min(ipmi_sensor_t *sensor, double *sensor_min);
```



To see if a specific event is set, use:

```
int ipmi_is_discrete_event_set(ipmi_event_state_t *events,  
                               int event_offset,  
                               enum ipmi_event_dir_e dir);
```

## 8.7 Sensor SDRs

TBD - write this



## Chapter 9

# Controls and Miscellany

### 9.1 Controls

Standard IPMI has no provision for an output device besides a few simple functions like reset and power. However, many systems have OEM extensions that allow control of lights, display panels, relays, and a lot of other things. OpenIPMI adds the concept of a “control”, which is an output device.

Each control has a specific type, that is fetched with:

```
int ipmi_control_get_type(ipmi_control_t *control);
```

It returns one of the following values:

**IPMI\_CONTROL\_LIGHT** - A light of some time, like an LED or a lamp.

**IPMI\_CONTROL\_RELAY** - A relay output

**IPMI\_CONTROL\_DISPLAY** - A 2-D text display

**IPMI\_CONTROL\_ALARM** - Some type of audible or visible warning device

**IPMI\_CONTROL\_RESET** - A reset line to reset something. This type allows the value to be set as either on or off.

**IPMI\_CONTROL\_POWER** - Control of the power of something.

**IPMI\_CONTROL\_FAN\_SPEED** - Control of the fan speed.

**IPMI\_CONTROL\_IDENTIFIER** - A general identifier for the entity in question. This is things like a serial number, a board type, or things of that nature. These may or may not be writable.

**IPMI\_CONTROL\_ONE\_SHOT\_RESET** - A reset line, but setting the value to one does a reset and release of reset, you cannot hold the device in reset with one of these.

**IPMI\_CONTROL\_OUTPUT** - A general output device like a digital output.

**IPMI\_CONTROL\_ONE\_SHOT\_OUTPUT** - A general one-shot output device.

The function:

```
char *ipmi_control_get_type_string(ipmi_control_t *control);
```

returns a string representation of the control type for the control.

Some controls may have multiple objects that cannot be independently controlled. For example, if a message is sent to set the value of three LEDs and it has one byte for each LED and no way to set “only set this one”, then there is no generally and guaranteed way to independently control each LED. In these cases, OpenIPMI represents these as a control with multiple values. When setting, all the values must be specified. When reading, all the values are returned. To get the number of values for a control, use the following function:

```
int ipmi_control_get_num_vals(ipmi_control_t *control);
```

### Control Entity Information

Every control is associated with a specific entity, these calls let you fetch the entity information. The following calls return the numeric entity id and instance:

```
int ipmi_control_get_entity_id(ipmi_control_t *control);
int ipmi_control_get_entity_instance(ipmi_control_t *control);
```

Generally, though, that is not what you want. You want the actual entity object, which may be fetched with the following:

```
ipmi_entity_t *ipmi_control_get_entity(ipmi_control_t *control);
```

Note that the entity is refcounted when the control is claimed, so the entity will exist while you have a valid reference to a control it contains.

#### 9.1.1 Control Name

Controls are given a name by the OEM code that creates them. This is useful for printing out control information. The functions to get this are:

```
int ipmi_control_get_id_length(ipmi_control_t *control);
enum ipmi_str_type_e ipmi_control_get_id_type(ipmi_control_t *control);
int ipmi_control_get_id(ipmi_control_t *control, char *id, int length);
```

See appendix A.1 for more information about these strings.

The function

```
int ipmi_control_get_name(ipmi_control_t *control, char *name, int length);
```

returns a fully qualified name for the control with the entity name prepended. The name array is filled with the name, up to the length given. This is useful for printing string names for the control.

### 9.1.2 Controls and Events

Controls may support events, much like sensors. The function:

```
int ipmi_control_has_events(ipmi_control_t *control);
```

tells if a control supports events.

To register/unregister for control events, use the functions:

```
typedef int (*ipmi_control_val_event_cb)(ipmi_control_t *control,
                                         int          *valid_vals,
                                         int          *vals,
                                         void        *cb_data,
                                         ipmi_event_t *event);
int ipmi_control_add_val_event_handler(ipmi_control_t *control,
                                       ipmi_control_val_event_cb handler,
                                       void            *cb_data);
int ipmi_control_remove_val_event_handler(ipmi_control_t *control,
                                          ipmi_control_val_event_cb handler,
                                          void            *cb_data);
```

In the callback, not all values may be present. The `valid_vals` parameter is an array of booleans telling if specific values are present. If an item in that array is true, then the corresponding value in the `vals` array is a valid value. This is a standard event handler as defined in section 2.2.5 on page 20.

### 9.1.3 Basic Type Controls

This section describes the more “normal” controls, that generally have a single value that is a binary or some type of direct setting. These take an integer value per control for their setting. These control types are:

**relay**

**alarm**

**reset**

**power**

**fan speed**

**one-shot reset**

**output**

**one-shot output**

To set the value of one of these controls, use the following:

```
int ipmi_control_set_val(ipmi_control_t *control,
                        int             *val,
                        ipmi_control_op_cb handler,
                        void            *cb_data);
```

Pass in an array of integers for the values, the length of which should be the number of values the control supports. To get the value of a control, use:

```
typedef void (*ipmi_control_val_cb)(ipmi_control_t *control,
                                   int          err,
                                   int          *val,
                                   void        *cb_data);

int ipmi_control_get_val(ipmi_control_t *control,
                        ipmi_control_val_cb handler,
                        void            *cb_data);
```

The `val` returns is an array of integers, the length is the number of values the control supports.

### 9.1.4 Light

Lights come in two flavors. Some lights have absolute control of the color, on time, and off time. OpenIPMI call these “setting” lights. Other lights have fixed functions; they have a few settings that have fixed color and on/off values. OpenIPMI calls these “transition” lights. Both types are fully supported.

To know if a light control is a setting or transition light, the following function returns true for a setting light and false for a transition light:

```
int ipmi_control_light_set_with_setting(ipmi_control_t *control);
```

Lights can be different colors, and the interface allows the supported colors to be check and set. The supported colors are:

```
IPMLCONTROL_COLOR_BLACK
IPMLCONTROL_COLOR_WHITE
IPMLCONTROL_COLOR_RED
IPMLCONTROL_COLOR_GREEN
IPMLCONTROL_COLOR_BLUE
IPMLCONTROL_COLOR_YELLOW
IPMLCONTROL_COLOR_ORANGE
```

#### Setting Light

Setting lights are managed with an abstract data structure:

```
typedef struct ipmi_light_setting_s ipmi_light_setting_t;
```

This is a standard OpenIPMI opaque data structure. Like most other data structures of this type, this does not directly modify the light, this is used to transmit the settings to a light and to receive the settings from a light. To allocate/free these, use the following:

```
ipmi_light_setting_t *ipmi_alloc_light_settings(unsigned int count);
void ipmi_free_light_settings(ipmi_light_setting_t *settings);
```

A function is also available to duplicate these objects:

```
ipmi_light_setting_t *ipmi_light_settings_dup(ipmi_light_setting_t *settings);
```



Each light setting has the settings for all lights for the control. If you allocate a light setting, you must pass in the number of lights the control manages. You can also fetch this from the setting using:

```
unsigned int ipmi_light_setting_get_count(ipmi_light_setting_t *setting);
```

Setting type lights have the concept of “local control”. When a light is in local control, the light is managed by the system it runs on. If local control is turned off, then the light can be directly managed. For instance, the system may have an LED that when under local control displays disk activity. However, it may be possible for the management system to take over that LED and use it for another purpose. Local control is set and modified in a setting using the functions:

```
int ipmi_light_setting_in_local_control(ipmi_light_setting_t *setting,
                                       int num,
                                       int *lc);
int ipmi_light_setting_set_local_control(ipmi_light_setting_t *setting,
                                       int num,
                                       int lc);
```

The `num` parameter is the light number to set (which of the lights the control manages). The `lc` parameter is the local control control setting. These return error values if the parameters are out of range. If local control is not supported, this is generally ignored.

To know if a light supports a specific color, the function:

```
int ipmi_control_light_is_color_supported(ipmi_control_t *control,
                                         unsigned int color);
```

To set the color in a setting and extract the color from a setting, use:

```
int ipmi_light_setting_get_color(ipmi_light_setting_t *setting, int num,
                                int *color);
int ipmi_light_setting_set_color(ipmi_light_setting_t *setting, int num,
                                int color);
```

These types of lights also support on and off times. The on and off times are directly set, so the user has direct control of this. Note that on and off times may be approximate. To set or get the on and off times in a setting, use:

```
int ipmi_light_setting_get_on_time(ipmi_light_setting_t *setting, int num,
                                   int *time);
int ipmi_light_setting_set_on_time(ipmi_light_setting_t *setting, int num,
                                   int time);
int ipmi_light_setting_get_off_time(ipmi_light_setting_t *setting, int num,
                                    int *time);
int ipmi_light_setting_set_off_time(ipmi_light_setting_t *setting, int num,
                                    int time);
```

The times are specified in milliseconds.

To fetch the current settings of a light control, use:



```

                                unsigned int  transition);
int ipmi_control_get_light_color_time(ipmi_control_t *control,
                                unsigned int  light,
                                unsigned int  value,
                                unsigned int  transition);

```

### 9.1.5 Display

The function of a display is TBD until the author of OpenIPMI gets a system that supports one :-).

### 9.1.6 Identifier

An identifier control holds some type of information about the system, the specific type of something, a serial number or other identifier, or things of that nature. They are represented as an array of bytes.

To find the maximum number of bytes a control may be set to or will return, use the function:

```
unsigned int ipmi_control_identifier_get_max_length(ipmi_control_t *control);
```

To set and get the value of a control, use:

```

typedef void (*ipmi_control_identifier_val_cb)(ipmi_control_t *control,
                                              int err,
                                              unsigned char *val,
                                              int length,
                                              void *cb_data);
int ipmi_control_identifier_get_val(ipmi_control_t *control,
ipmi_control_identifier_val_cb handler,
void *cb_data);
int ipmi_control_identifier_set_val(ipmi_control_t *control,
unsigned char *val,
int length,
ipmi_control_op_cb handler,
void *cb_data);

```

### 9.1.7 Chassis Controls

The IPMI standard supports two basic controls if the system supports chassis control. OpenIPMI automatically detects these and creates controls for them. The controls created are created on the chassis entity id (id 23.1) and are named:

reset	A one-shot reset that can reset the processor in the chassis.
power	A binary power control that can turn on and turn off power to a chassis.

## 9.2 Watchdog Timer

TBD - determine if we really need watchdog timer support, write it and document it if so. Currently the OpenIPMI library does not support the watchdog timer, but the Linux IPMI driver does support it through the standard watchdog timer interface.

### 9.3 Direct I<sup>2</sup>C Access

# Chapter 10

## Events

OpenIPMI automatically sets the event receiver.

### 10.1 Event Format

### 10.2 Event Data Information for Specific Events

SYSTEM _FIRMWARE _PROGRESS	00h	-
	01h	Uses the same values as offset 00h.
	02h	-
EVENT_LOGGING _DISABLED	01h	-
SYSTEM_EVENT	03h	-
	04h	-
SLOT_CONNECTOR	all	-
WATCHDOG_2	all	-

### **10.3 MC Event Enables**

Note there is a section in the MC chapter about this.

### **10.4 Coordinating Multiple Users of an SEL**

# Chapter 11

## Other OpenIPMI Concerns

### 11.1 When Operations Happen

As mentioned before, OpenIPMI has a very dynamic view of the domain. It also reports things as it finds them, but the work on those things is not necessarily “done”. OpenIPMI has no concept of anything being “done”; it views a domain as a dynamic entity that can change over time.

In some cases, though, it may be useful to know when certain operations complete. The following call will tell you when the main SDR repository has been read. You can call it after you create the domain but before the domain has finished initialization; you can register your own handler here:

```
int
ipmi_domain_set_main_SDRs_read_handler(ipmi_domain_t *domain,
                                       ipmi_domain_cb handler,
                                       void *cb_data)
```

Likewise, when a MC is reported the SDRs and events have not yet been read. To register handlers for those, use:

```
int ipmi_mc_set_sdrs_first_read_handler(ipmi_mc_t *mc,
                                       ipmi_mc_ptr_cb handler,
                                       void *cb_data);
int ipmi_mc_set_sels_first_read_handler(ipmi_mc_t *mc,
                                       ipmi_mc_ptr_cb handler,
                                       void *cb_data);
```

Note that you should almost certainly *not* use these, unless you absolutely have to. In general, your software should handle the dynamic nature of an IPMI system dynamically.





# Appendix A

## Special IPMI Formats

### A.1 IPMI strings

IPMI uses a special format for storing strings. It allows data to be stored in four different formats. The first byte describes the type and length; the format is:

**bits 0-4** - The number of bytes following this byte. Note that this is *not* the number of characters in the string, it is the number of bytes following. The value of 11111b is reserved.

**bit 5** - reserved

**bits 6-7** - The string type. Valid values are:

**00h** - Unicode

**01h** - BCD plus

**02h** - 6-bit ASCII, packed

**03h** - 8-bit ASCII and Latin 1. In this case, a length of one is reserved. The length may be zero, or it may be from 2 to 30, but may not be 1.

The values and packing are defined in the IPMI spec.

TBD - add character values and packing information

#### A.1.1 OpenIPMI and IPMI strings

OpenIPMI does most of the work of decoding the IPMI strings. Generally, to fetch a string, three functions are supported that generally look something like:

```
int ipmi_xxx_get_id_length(ipmi_xxx_t *obj);
enum ipmi_str_type_e ipmi_xxx_get_id_type(ipmi_xxx_t *obj);
int ipmi_xxx_get_id(ipmi_xxx_t *obj, char *id, int length);
```

Fetching the type allows you to tell what it is. The type may be one of:

**IPMI\_ASCII\_STR** - The value is in normal ASCII and Latin 1

**IPMI\_UNICODE\_STR** - The value is unicode encoded.

**IPMI\_BINARY\_STR** - The value is raw binary data.

Then you can get the length to know how long the value will be. Then fetch the actual id with the get id call; it will store the value in the id passed in. The get id call will return the number of bytes copied into the id string. The size of the id string should be passed in to the “length” field. The number of bytes actually copied will be returned by the call. If the number of bytes is more than the length of the id field, then only “length” bytes are filled in.

## Appendix B

# The Perl Interface

OpenIPMI has interface code that let's Perl programs use OpenIPMI. The interface works much like the C interface. Some things are simplified, but in general it is very similar.

The interface uses object-oriented programming in Perl, so you must know how to do that in Perl. It's pretty simple, really, but it's somewhat strange if you already know another OO programming language.

As an example, to create a domain connection and read all the events, you might use the following code:

```
#!/usr/bin/perl

# get_events
#
# A sample perl program to get IPMI events from an BMC
#
# Author: MontaVista Software, Inc.
#       Corey Minyard <minyard@mvista.com>
#       source@mvista.com
#
# Copyright 2004 MontaVista Software Inc.
#
# This program is free software; you can redistribute it and/or
# modify it under the terms of the GNU Lesser General Public License
# as published by the Free Software Foundation; either version 2 of
# the License, or (at your option) any later version.
#
#
# THIS SOFTWARE IS PROVIDED ‘‘AS IS’’ AND ANY EXPRESS OR IMPLIED
# WARRANTIES, INCLUDING, BUT NOT LIMITED TO, THE IMPLIED WARRANTIES OF
# MERCHANTABILITY AND FITNESS FOR A PARTICULAR PURPOSE ARE DISCLAIMED.
# IN NO EVENT SHALL THE AUTHOR BE LIABLE FOR ANY DIRECT, INDIRECT,
# INCIDENTAL, SPECIAL, EXEMPLARY, OR CONSEQUENTIAL DAMAGES (INCLUDING,
# BUT NOT LIMITED TO, PROCUREMENT OF SUBSTITUTE GOODS OR SERVICES; LOSS
# OF USE, DATA, OR PROFITS; OR BUSINESS INTERRUPTION) HOWEVER CAUSED AND
```

```
# ON ANY THEORY OF LIABILITY, WHETHER IN CONTRACT, STRICT LIABILITY, OR
# TORT (INCLUDING NEGLIGENCE OR OTHERWISE) ARISING IN ANY WAY OUT OF THE
# USE OF THIS SOFTWARE, EVEN IF ADVISED OF THE POSSIBILITY OF SUCH DAMAGE.
#
# You should have received a copy of the GNU Lesser General Public
# License along with this program; if not, write to the Free
# Software Foundation, Inc., 675 Mass Ave, Cambridge, MA 02139, USA.
#

use OpenIPMI;

{
    package MC_Nameget;
    sub new {
        my $a = shift;
        my $b = \$a;
        return bless $b;
    }

    sub mc_cb {
        my $self = shift;
        my $mc = shift;

        $$self = $mc->get_name();
    }

    package Eventh;

    sub new {
        my $obj = { };
        return bless \$obj;
    }

    sub event_cb {
        my $self = shift;
        my $domain = shift;
        my $event = shift;
        my $mcid;
        my $name;
        my $val;
        my @data;
        my $dataref;

        $mcid = $event->get_mc_id();

        $name = MC_Nameget::new("");
    }
}
```

```

    $mcid->to_mc($name);
    $dataref = $event->get_data();
    @data = @$dataref;

    print ("Got event: $$name ", $event->get_record_id(),
           " ", $event->get_type(), " ", $event->get_timestamp(), "\n");
    print " Data: ";
    while (defined ($val = shift @data)) {
        printf " %2.2x", $val;
    }
    print "\n";
}

package Conh;
sub new {
    my $obj = { };
    $obj->{first_time} = 1;
    return bless \$obj;
}

sub conn_change_cb {
    my $self = shift;
    my $domain = shift;
    my $err = shift;
    my $conn_num = shift;
    my $port_num = shift;
    my $still_connected = shift;

    if ($err && !$still_connected) {
        print "Error starting up connection: $err\n";
        exit 1;
    } elsif ($$self->{first_time}) {
        my $event_handler = Eventh::new();

        # Register an event handler on the first time.
        $$self->{first_time} = 0;
        $rv = $domain->add_event_handler($event_handler);
        if ($rv) {
            print "Error adding event handler, closing\n";
            $domain->close();
            exit(1);
        }
    }
}

package Uph;

```

```

sub new {
    my $obj = { };
    return bless \$obj;
}

sub domain_close_done_cb {
    exit 0;
}

sub domain_up_cb {
    my $self = shift;
    my $domain = shift;

    # Domain is up, the SEL has been read.
    print "Domain ", $domain->get_name(), " is finished coming up!\n";
    $domain->close($self);
}

}

OpenIPMI::init();

$conh = Conh::new();
$uph = Uph::new();

# Only get the SEL from the local BMC, don't do anything else.
@args = ("-noall", "-sel", "smi", "0");
$domain_id = OpenIPMI::open_domain("test1", \@args, $conh, $uph);
while (1) {
    OpenIPMI::wait_io(1000);
}

```

Unfortunately, the documentation for the Perl interface is in the file `swig/OpenIPMI.i` along with the sources. It will hopefully be here in the future.

## Appendix C

# Comparison with SNMP





## Appendix D

# Comparison with HPI



# Appendix E

## ATCA



## Appendix F

# Motorola MXP



# Appendix G

## Intel Servers

Many Intel server systems have an alarm panel and a relay output that can be monitored and controlled through IPMI. This will appear under entity 12.1 (Alarm Panel) and will be named “alarm”. It takes an 8-bit setting. The meanings of the bits are:

7	Reserved, always write 1
6	LED colors, 1 = amber (default), 0 = red. Note that the colors were added in some later firmware versions, not in all, and the colors may not affect all LEDs.
5	Minor Relay bit, 0 = on, 1=off. This is a read only bit and should always be written 1.
4	Major Relay bit, 0 = on, 1=off. This is a read only bit and should always be written 1.
3	Minor LED bit, 0 = on, 1=off
2	Major LED bit, 0 = on, 1=off
1	Critical LED bit, 0 = on, 1=off
0	Power LED bit, 0 = on, 1=off





## Appendix H

# Sample Program Showing Basic Operations

The following program shows basic setup, registration, and registering to handle new entities, sensors, and controls as they are created. Some basic information is dumped.

```
/*
 * test1.c
 *
 * OpenIPMI test code
 *
 * Author: Intel Corporation
 *         Jeff Zheng <Jeff.Zheng@Intel.com>
 *
 * This program is free software; you can redistribute it and/or
 * modify it under the terms of the GNU Lesser General Public License
 * as published by the Free Software Foundation; either version 2 of
 * the License, or (at your option) any later version.
 *
 *
 * THIS SOFTWARE IS PROVIDED ‘‘AS IS’’ AND ANY EXPRESS OR IMPLIED
 * WARRANTIES, INCLUDING, BUT NOT LIMITED TO, THE IMPLIED WARRANTIES OF
 * MERCHANTABILITY AND FITNESS FOR A PARTICULAR PURPOSE ARE DISCLAIMED.
 * IN NO EVENT SHALL THE AUTHOR BE LIABLE FOR ANY DIRECT, INDIRECT,
 * INCIDENTAL, SPECIAL, EXEMPLARY, OR CONSEQUENTIAL DAMAGES (INCLUDING,
 * BUT NOT LIMITED TO, PROCUREMENT OF SUBSTITUTE GOODS OR SERVICES; LOSS
 * OF USE, DATA, OR PROFITS; OR BUSINESS INTERRUPTION) HOWEVER CAUSED AND
 * ON ANY THEORY OF LIABILITY, WHETHER IN CONTRACT, STRICT LIABILITY, OR
 * TORT (INCLUDING NEGLIGENCE OR OTHERWISE) ARISING IN ANY WAY OUT OF THE
 * USE OF THIS SOFTWARE, EVEN IF ADVISED OF THE POSSIBILITY OF SUCH DAMAGE.
 *
 * You should have received a copy of the GNU Lesser General Public
```

```

* License along with this program; if not, write to the Free
* Software Foundation, Inc., 675 Mass Ave, Cambridge, MA 02139, USA.
*/

#include <stdio.h>
#include <stdlib.h>
#include <string.h>
#include <malloc.h>
#include <sys/types.h>
#include <sys/stat.h>
#include <fcntl.h>
#include <unistd.h>
#include <netdb.h>
#include <ctype.h>
#include <time.h>

#include <OpenIPMI/ipmiif.h>
#include <OpenIPMI/ipmi_smi.h>
#include <OpenIPMI/ipmi_err.h>
#include <OpenIPMI/ipmi_auth.h>
#include <OpenIPMI/ipmi_lan.h>
#include <OpenIPMI/ipmi_posix.h>
#include <OpenIPMI/ipmi_fru.h>

/* This sample application demonstrates a very simple method to use
OpenIPMI. It just search all sensors in the system. From this
application, you can find that there is only 4 lines code in main()
function if you use the SMI-only interface, and several simple
callback functions in all cases. */

static const char *programe;

static void
usage(void)
{
    printf("Usage:\n"
           " %s [options] smi <smi #>\n"
           "     Make a connection to a local system management interface.\n"
           "     smi # is generally 0.\n"
           " %s [options] lan <host> <port> <authtype> <privilege>"
           " <username> <password>\n"
           "     Make a connection to a IPMI 1.5 LAN interface.\n"
           "     Host and port specify where to connect to (port is\n"
           "     generally 623). authtype is none, md2, md5, or straight.\n"
           "     privilege is callback, user, operator, or admin. The\n"
           "     username and password must be provided if the authtype is\n"

```



```

                                void          *cb_data,
                                ipmi_event_t   *event)
{
    ipmi_entity_t *ent = ipmi_sensor_get_entity(sensor);
    int id, instance;
    char name[33];

    id = ipmi_entity_get_entity_id(ent);
    instance = ipmi_entity_get_entity_instance(ent);
    ipmi_sensor_get_id(sensor, name, 32);

    printf("Event from sensor %d.%d.%s: %d %s\n",
           id, instance, name,
           offset,
           ipmi_get_event_dir_string(dir));
    if (severity != -1)
        printf(" severity is %d\n", severity);
    if (prev_severity != -1)
        printf(" prev severity is %d\n", prev_severity);
    if (event)
        printf("Due to event 0x%4.4x\n", ipmi_event_get_record_id(event));

    /* This passes the event on to the main event handler, which does
       not exist in this program. */
    return IPMI_EVENT_NOT_HANDLED;
}

/* Whenever the status of a sensor changes, the function is called
   We display the information of the sensor if we find a new sensor
   */
static void
sensor_change(enum ipmi_update_e op,
              ipmi_entity_t     *ent,
              ipmi_sensor_t     *sensor,
              void               *cb_data)
{
    int id, instance;
    char name[33];
    int rv;

    id = ipmi_entity_get_entity_id(ent);
    instance = ipmi_entity_get_entity_instance(ent);
    ipmi_sensor_get_id(sensor, name, 32);
    if (op == IPMI_ADDED) {
        printf("Sensor added: %d.%d.%s\n", id, instance, name);
    }
}

```

```

    if (ipmi_sensor_get_event_reading_type(sensor)
        == IPMI_EVENT_READING_TYPE_THRESHOLD)
        rv = ipmi_sensor_add_threshold_event_handler
            (sensor,
             sensor_threshold_event_handler,
             NULL);
    else
        rv = ipmi_sensor_add_discrete_event_handler
            (sensor,
             sensor_discrete_event_handler,
             NULL);
    if (rv)
        printf("Unable to add the sensor event handler: %x\n", rv);
}
}

static int
traverse_fru_node_tree(int indent, ipmi_fru_node_t *node)
{
    const char          *name;
    unsigned int        i;
    int                  j;
    enum ipmi_fru_data_type_e dtype;
    int                  intval, rv;
    time_t              time;
    double               floatval;
    char                *data;
    unsigned int        data_len;
    ipmi_fru_node_t    *sub_node;

    for (i=0; ; i++) {
        data = NULL;
        rv = ipmi_fru_node_get_field(node, i, &name, &dtype, &intval, &time,
                                     &floatval, &data, &data_len, &sub_node);
        if (rv == EINVAL)
            break;
        else if (rv)
            continue;

        if (name)
            printf("%*s%s: ", indent, "", name);
        else
            printf("%*s[%d]: ", indent, "", i);

        switch (dtype) {
        case IPMI_FRU_DATA_INT:

```

```
    printf("(integer) %d\n", intval);
    break;

case IPMI_FRU_DATA_TIME:
    printf("(integer) %ld\n", (long) time);
    break;

case IPMI_FRU_DATA_BINARY:
    printf("(binary)");
    for (j=0; j<data_len; j++)
        printf(" %2.2x", data[i]);
    printf("\n");
    break;

case IPMI_FRU_DATA_UNICODE:
    printf("(unicode)");
    for (j=0; j<data_len; j++)
        printf(" %2.2x", data[i]);
    printf("\n");
    break;

case IPMI_FRU_DATA_ASCII:
    printf("(ascii) \"%s\"\n", data);
    break;

case IPMI_FRU_DATA_BOOLEAN:
    printf("(boolean) \"%s\"\n", intval ? "true" : "false");
    break;

case IPMI_FRU_DATA_FLOAT:
    printf("(float) %f\n", floatval);
    break;

case IPMI_FRU_DATA_SUB_NODE:
    if (intval == -1)
        printf("(record)\n");
    else
        printf("(array) %d\n", intval);
    traverse_fru_node_tree(indent+2, sub_node);
    break;

default:
    printf("(unknown)");
    break;
}
```

```

        if (data)
            ipmi_fru_data_free(data);
    }

    ipmi_fru_put_node(node);

    return 0;
}

static void
fru_change(enum ipmi_update_e op,
           ipmi_entity_t    *entity,
           void             *cb_data)
{
    int          id, instance;
    int          rv;
    ipmi_fru_t   *fru = ipmi_entity_get_fru(entity);
    const char   *type;
    ipmi_fru_node_t *node;

    if (op == IPMI_ADDED) {
        id = ipmi_entity_get_entity_id(entity);
        instance = ipmi_entity_get_entity_instance(entity);

        printf("FRU added for: %d.%d\n", id, instance);

        if (!fru)
            return;

        rv = ipmi_fru_get_root_node(fru, &type, &node);
        if (rv)
            return;
        printf("FRU type: %s", type);
        traverse_fru_node_tree(2, node);
    }
}

/* Whenever the status of an entity changes, the function is called
   When a new entity is created, we search all sensors that belong
   to the entity */
static void
entity_change(enum ipmi_update_e op,
             ipmi_domain_t    *domain,
             ipmi_entity_t    *entity,
             void             *cb_data)
{

```

```

int rv;
int id, instance;

id = ipmi_entity_get_entity_id(entity);
instance = ipmi_entity_get_entity_instance(entity);
if (op == IPMI_ADDED) {
    printf("Entity added: %d.%d\n", id, instance);
    /* Register callback so that when the status of a
       sensor changes, sensor_change is called */
    rv = ipmi_entity_add_sensor_update_handler(entity,
                                               sensor_change,
                                               entity);

    if (rv) {
        printf("ipmi_entity_set_sensor_update_handler: 0x%x", rv);
        exit(1);
    }

    rv = ipmi_entity_add_fru_update_handler(entity,
                                           fru_change,
                                           NULL);

    if (rv) {
        printf("ipmi_entity_set_fru_update_handler: 0x%x", rv);
        exit(1);
    }
}
}

/* After we have established connection to domain, this function get called
   At this time, we can do whatever things we want to do. Here we want to
   search all entities in the system */
void
setup_done(ipmi_domain_t *domain,
           int err,
           unsigned int conn_num,
           unsigned int port_num,
           int still_connected,
           void *user_data)
{
    int rv;

    /* Register a callback function entity_change. When a new entities
       is created, entity_change is called */
    rv = ipmi_domain_add_entity_update_handler(domain, entity_change, domain);
    if (rv) {
        printf("ipmi_domain_add_entity_update_handler return error: %d\n", rv);
        return;
    }
}

```



```
    }  
}  
  
static os_handler_t *os_hnd;  
  
static void  
my_vlog(os_handler_t      *handler,  
         const char       *format,  
         enum ipmi_log_type_e log_type,  
         va_list          ap)  
{  
    int do_nl = 1;  
  
    switch(log_type)  
    {  
        case IPMI_LOG_INFO:  
            printf("INFO: ");  
            break;  
  
        case IPMI_LOG_WARNING:  
            printf("WARN: ");  
            break;  
  
        case IPMI_LOG_SEVERE:  
            printf("SEVR: ");  
            break;  
  
        case IPMI_LOG_FATAL:  
            printf("FATL: ");  
            break;  
  
        case IPMI_LOG_ERR_INFO:  
            printf("EINF: ");  
            break;  
  
        case IPMI_LOG_DEBUG_START:  
            do_nl = 0;  
            /* FALLTHROUGH */  
        case IPMI_LOG_DEBUG:  
            printf("DEBG: ");  
            break;  
  
        case IPMI_LOG_DEBUG_CONT:  
            do_nl = 0;  
            /* FALLTHROUGH */
```

```

        case IPMI_LOG_DEBUG_END:
            break;
    }

    vprintf(format, ap);

    if (do_nl)
        printf("\n");
}

int
main(int argc, char *argv[])
{
    int        rv;
    int        curr_arg = 1;
    ipmi_args_t *args;
    ipmi_con_t *con;

    progname = argv[0];

    /* OS handler allocated first. */
    os_hnd = ipmi_posix_setup_os_handler();
    if (!os_hnd) {
        printf("ipmi_smi_setup_con: Unable to allocate os handler\n");
        exit(1);
    }

    /* Override the default log handler (just to show how). */
    os_hnd->set_log_handler(os_hnd, my_vlog);

    /* Initialize the OpenIPMI library. */
    ipmi_init(os_hnd);

#ifdef 0
    /* If all you need is an SMI connection, this is all the code you
       need. */
    /* Establish connections to domain through system interface. This
       function connect domain, selector and OS handler together.
       When there is response message from domain, the status of file
       descriptor in selector is changed and predefined callback is
       called. After the connection is established, setup_done will be
       called. */
    rv = ipmi_smi_setup_con(0, os_hnd, NULL, &con);
    if (rv) {
        printf("ipmi_smi_setup_con: %s", strerror(rv));
        exit(1);
    }
#endif
}

```

```

    }
#endif

#if 1
    rv = ipmi_parse_args(&curr_arg, argc, argv, &args);
    if (rv) {
        fprintf(stderr, "Error parsing command arguments, argument %d: %s\n",
                curr_arg, strerror(rv));
        usage();
        exit(1);
    }

    rv = ipmi_args_setup_con(args, os_hnd, NULL, &con);
    if (rv) {
        fprintf(stderr, "ipmi_ip_setup_con: %s", strerror(rv));
        exit(1);
    }
#endif

    rv = ipmi_open_domain("", &con, 1, setup_done, NULL, NULL, NULL,
                          NULL, 0, NULL);
    if (rv) {
        fprintf(stderr, "ipmi_init_domain: %s\n", strerror(rv));
        exit(1);
    }

    /* This is the main loop of the event-driven program.
       Try <CTRL-C> to exit the program */
#if 1
    /* We run the select loop here, this shows how you can use
       sel_select. You could add your own processing in this loop. */
    while (1) {
        os_hnd->perform_one_op(os_hnd, NULL);
    }
#else
    /* Let the selector code run the select loop. */
    os_hnd->operation_loop(os_hnd);
#endif

    /* Technically, we can't get here, but this is an example. */
    os_hnd->free_os_handler(os_hnd);
}

```



## Appendix I

# Sample Program Showing Event Setup

The following program show how to set up events. For every sensor that is detected, it will turn on all events that the sensor supports.

```
/*
 * test1.c
 *
 * OpenIPMI test code showing event setup
 *
 * Author: Corey Minyard <minyard@acm.org>
 *
 * This program is free software; you can redistribute it and/or
 * modify it under the terms of the GNU Lesser General Public License
 * as published by the Free Software Foundation; either version 2 of
 * the License, or (at your option) any later version.
 *
 *
 * THIS SOFTWARE IS PROVIDED ‘‘AS IS’’ AND ANY EXPRESS OR IMPLIED
 * WARRANTIES, INCLUDING, BUT NOT LIMITED TO, THE IMPLIED WARRANTIES OF
 * MERCHANTABILITY AND FITNESS FOR A PARTICULAR PURPOSE ARE DISCLAIMED.
 * IN NO EVENT SHALL THE AUTHOR BE LIABLE FOR ANY DIRECT, INDIRECT,
 * INCIDENTAL, SPECIAL, EXEMPLARY, OR CONSEQUENTIAL DAMAGES (INCLUDING,
 * BUT NOT LIMITED TO, PROCUREMENT OF SUBSTITUTE GOODS OR SERVICES; LOSS
 * OF USE, DATA, OR PROFITS; OR BUSINESS INTERRUPTION) HOWEVER CAUSED AND
 * ON ANY THEORY OF LIABILITY, WHETHER IN CONTRACT, STRICT LIABILITY, OR
 * TORT (INCLUDING NEGLIGENCE OR OTHERWISE) ARISING IN ANY WAY OUT OF THE
 * USE OF THIS SOFTWARE, EVEN IF ADVISED OF THE POSSIBILITY OF SUCH DAMAGE.
 *
 * You should have received a copy of the GNU Lesser General Public
 * License along with this program; if not, write to the Free
```

```
* Software Foundation, Inc., 675 Mass Ave, Cambridge, MA 02139, USA.
*/

#include <stdio.h>
#include <stdlib.h>
#include <string.h>
#include <malloc.h>
#include <sys/types.h>
#include <sys/stat.h>
#include <fcntl.h>
#include <unistd.h>
#include <netdb.h>
#include <ctype.h>
#include <time.h>

#include <OpenIPMI/ipmiif.h>
#include <OpenIPMI/ipmi_smi.h>
#include <OpenIPMI/ipmi_err.h>
#include <OpenIPMI/ipmi_auth.h>
#include <OpenIPMI/ipmi_lan.h>
#include <OpenIPMI/ipmi_posix.h>

/* This sample application demonstrates some general handling of sensors,
   like reading values, setting up events, and things of that nature.
   It also demonstrates some good coding practices like recounting
   structures. */

static const char *progname;

#define MAX_SENSOR_NAME_SIZE 128

typedef struct sdata_s
{
    unsigned int    refcount;
    ipmi_sensor_id_t sensor_id;
    char            name[MAX_SENSOR_NAME_SIZE];
    ipmi_event_state_t *es;
    ipmi_thresholds_t *th;
    int             state_sup;
    int             thresh_sup;

    struct sdata_s  *next, *prev;
} sdata_t;

static sdata_t *sdata_list = NULL;
```

```

static sdata_t *
alloc_sdata(ipmi_sensor_t *sensor)
{
    sdata_t *sdata;

    sdata = malloc(sizeof(*sdata));
    if (!sdata)
        return NULL;

    sdata->es = malloc(ipmi_event_state_size());
    if (!sdata->es) {
        free(sdata);
        return NULL;
    }
    ipmi_event_state_init(sdata->es);

    sdata->th = malloc(ipmi_thresholds_size());
    if (!sdata->th) {
        free(sdata->es);
        free(sdata);
        return NULL;
    }
    ipmi_thresholds_init(sdata->th);

    sdata->refcount = 1;

    sdata->sensor_id = ipmi_sensor_convert_to_id(sensor);
    ipmi_sensor_get_name(sensor, sdata->name, sizeof(sdata->name));

    sdata->next = sdata_list;
    sdata->prev = NULL;
    sdata_list = sdata;

    return sdata;
}

static sdata_t *
find_sdata(ipmi_sensor_t *sensor)
{
    ipmi_sensor_id_t id = ipmi_sensor_convert_to_id(sensor);
    sdata_t          *link;

    link = sdata_list;
    while (link) {
        if (ipmi_cmp_sensor_id(id, link->sensor_id) == 0)
            return link;
    }
}

```

```

        link = link->next;
    }
    return NULL;
}

static void
use_sdata(sdata_t *sdata)
{
    sdata->refcount++;
}

static void
release_sdata(sdata_t *sdata)
{
    sdata->refcount--;
    if (sdata->refcount == 0) {
        /* Remove it from the list. */
        if (sdata->next)
            sdata->next->prev = sdata->prev;

        if (sdata->prev)
            sdata->prev->next = sdata->next;
        else
            sdata_list = sdata->next;

        free(sdata->es);
        free(sdata->th);
        free(sdata);
    }
}

static void
usage(void)
{
    printf("Usage:\n"
        " %s [options] smi <smi #>\n"
        "     Make a connection to a local system management interface.\n"
        "     smi # is generally 0.\n"
        " %s [options] lan <host> <port> <authtype> <privilege>"
        " <username> <password>\n"
        "     Make a connection to a IPMI 1.5 LAN interface.\n"
        "     Host and port specify where to connect to (port is\n"
        "     generally 623).  authtype is none, md2, md5, or straight.\n"
        "     privilege is callback, user, operator, or admin.  The\n"
        "     username and password must be provided if the authtype is\n"
        "     not none.\n", progname, progname);
}

```



```

}

static void
got_thresh_reading(ipmi_sensor_t      *sensor,
                  int                  err,
                  enum ipmi_value_present_e value_present,
                  unsigned int         raw_value,
                  double               val,
                  ipmi_states_t        *states,
                  void                 *cb_data)
{
    sdata_t          *sdata = cb_data;
    enum ipmi_thresh_e thresh;

    if (err) {
        printf("Error 0x%x getting discrete states for sensor %s\n",
              err, sdata->name);
        goto out;
    }

    printf("Got threshold reading for sensor %s\n", sdata->name);
    if (ipmi_is_event_messages_enabled(states))
        printf(" event messages enabled\n");
    if (ipmi_is_sensor_scanning_enabled(states))
        printf(" sensor scanning enabled\n");
    if (ipmi_is_initial_update_in_progress(states))
        printf(" initial update in progress\n");

    switch (value_present)
    {
    case IPMI_NO_VALUES_PRESENT:
        printf(" no value present\n");
        break;
    case IPMI_BOTH_VALUES_PRESENT:
        {
            const char *percent = "";
            const char *base;
            const char *mod_use = "";
            const char *modifier = "";
            const char *rate;

            base = ipmi_sensor_get_base_unit_string(sensor);
            if (ipmi_sensor_get_percentage(sensor))
                percent = "%";
            switch (ipmi_sensor_get_modifier_unit_use(sensor)) {
            case IPMI_MODIFIER_UNIT_NONE:

```

```

        break;
    case IPMI_MODIFIER_UNIT_BASE_DIV_MOD:
        mod_use = "/";
        modifier = ipmi_sensor_get_modifier_unit_string(sensor);
        break;
    case IPMI_MODIFIER_UNIT_BASE_MULT_MOD:
        mod_use = "*";
        modifier = ipmi_sensor_get_modifier_unit_string(sensor);
        break;
    }
    rate = ipmi_sensor_get_rate_unit_string(sensor);

    printf("  value: %lf%s %s%s%s%s\n", val, percent,
           base, mod_use, modifier, rate);
}
/* FALLTHROUGH */
case IPMI_RAW_VALUE_PRESENT:
    printf("  raw value: 0x%2.2x\n", raw_value);
}

if (sdata->thresh_sup == IPMI_THRESHOLD_ACCESS_SUPPORT_NONE)
    goto out;

for (thresh=IPMI_LOWER_NON_CRITICAL;
     thresh<=IPMI_UPPER_NON_RECOVERABLE;
     thresh++)
{
    int val, rv;

    rv = ipmi_sensor_threshold_reading_supported(sensor, thresh, &val);
    if (rv || !val)
        continue;

    if (ipmi_is_threshold_out_of_range(states, thresh))
        printf("  Threshold %s is out of range\n",
              ipmi_get_threshold_string(thresh));
    else
        printf("  Threshold %s is in range\n",
              ipmi_get_threshold_string(thresh));
}

out:
    release_sdata(sdata);
}

static void

```

```

got_discrete_states(ipmi_sensor_t *sensor,
                    int             err,
                    ipmi_states_t *states,
                    void            *cb_data)
{
    sdata_t *sdata = cb_data;
    int     i;

    if (err) {
        printf("Error 0x%x getting discrete states for sensor %s\n",
              err, sdata->name);
        goto out;
    }

    if (err) {
        printf("Error 0x%x getting discrete states for sensor %s\n",
              err, sdata->name);
        goto out;
    }

    printf("Got state reading for sensor %s\n", sdata->name);
    if (ipmi_is_event_messages_enabled(states))
        printf(" event messages enabled\n");
    if (ipmi_is_sensor_scanning_enabled(states))
        printf(" sensor scanning enabled\n");
    if (ipmi_is_initial_update_in_progress(states))
        printf(" initial update in progress\n");

    for (i=0; i<15; i++) {
        int val, rv;

        rv = ipmi_sensor_discrete_event_readable(sensor, i, &val);
        if (rv || !val)
            continue;

        printf(" state %d value is %d\n", i, ipmi_is_state_set(states, i));
    }

    out:
    release_sdata(sdata);
}

static void
event_set_done(ipmi_sensor_t *sensor,
               int           err,
               void          *cb_data)

```

```

{
    sdata_t *sdata = cb_data;

    if (err) {
        printf("Error 0x%x setting events for sensor %s\n", err, sdata->name);
        goto out;
    }

    printf("Events set for sensor %s\n", sdata->name);

out:
    release_sdata(sdata);
}

static void
got_events(ipmi_sensor_t      *sensor,
           int                 err,
           ipmi_event_state_t *states,
           void                *cb_data)
{
    sdata_t *sdata = cb_data;
    int      rv;

    if (err) {
        printf("Error 0x%x getting events for sensor %s\n", err, sdata->name);
        goto out_err;
    }

    /* Turn on the general events for a sensor, since this at
       least supports per-sensor enables. */
    ipmi_event_state_set_events_enabled(sdata->es, 1);
    ipmi_event_state_set_scanning_enabled(sdata->es, 1);

    printf("Sensor %s event settings:\n", sdata->name);
    if (sdata->state_sup != IPMI_EVENT_SUPPORT_PER_STATE) {
        /* No per-state sensors, just do the global enable. */
    } else if (ipmi_sensor_get_event_reading_type(sensor)
               == IPMI_EVENT_READING_TYPE_THRESHOLD)
    {
        /* Check each event, print out the current state, and turn it
           on in the events to set if it is available. */
        enum ipmi_event_value_dir_e value_dir;
        enum ipmi_event_dir_e       dir;
        enum ipmi_thresh_e          thresh;
        int                          val;
        for (value_dir=IPMI_GOING_LOW; value_dir<=IPMI_GOING_HIGH; value_dir++)

```

```

{
  for (dir=IPMI_ASSERTION; dir<=IPMI_DEASSERTION; dir++) {
    for (thresh=IPMI_LOWER_NON_CRITICAL;
         thresh<=IPMI_UPPER_NON_RECOVERABLE;
         thresh++)
      {
        char *v;

        rv = ipmi_sensor_threshold_event_supported
              (sensor, thresh, value_dir, dir, &val);
        if (rv || !val)
          continue;

        if (ipmi_is_threshold_event_set(states, thresh,
                                         value_dir, dir))
          v = "";
        else
          v = " not";

        printf(" %s %s %s was%s enabled\n",
              ipmi_get_threshold_string(thresh),
              ipmi_get_value_dir_string(value_dir),
              ipmi_get_event_dir_string(dir),
              v);

        ipmi_threshold_event_set(sdata->es, thresh,
                                 value_dir, dir);
      }
  }
}
} else {
  /* Check each event, print out the current state, and turn it
     on in the events to set if it is available. */
  enum ipmi_event_dir_e dir;
  int i;

  for (dir=IPMI_ASSERTION; dir<=IPMI_DEASSERTION; dir++) {
    for (i=0; i<15; i++) {
      char *v;
      int val;

      rv = ipmi_sensor_discrete_event_supported
            (sensor, i, dir, &val);
      if (rv || !val)
        continue;
    }
  }
}

```

```
        if (ipmi_is_discrete_event_set(states, i, dir))
            v = "";
        else
            v = " not";

        printf(" bit %d %s was%s enabled\n",
            i,
            ipmi_get_event_dir_string(dir),
            v);

        ipmi_discrete_event_set(sdata->es, i, dir);
    }
}

rv = ipmi_sensor_set_event_enables(sensor, sdata->es,
                                   event_set_done, sdata);
if (rv) {
    printf("Error 0x%x enabling events for sensor %s\n", err, sdata->name);
    goto out_err;
}

return;

out_err:
    release_sdata(sdata);
}

static void
thresholds_set(ipmi_sensor_t *sensor, int err, void *cb_data)
{
    sdata_t *sdata = cb_data;

    if (err) {
        printf("Error 0x%x setting thresholds for sensor %s\n",
            err, sdata->name);
        goto out;
    }

    printf("Thresholds set for sensor %s\n", sdata->name);

out:
    release_sdata(sdata);
}

static void
```

```

got_thresholds(ipmi_sensor_t    *sensor,
               int               err,
               ipmi_thresholds_t *th,
               void              *cb_data)
{
    sdata_t          *sdata = cb_data;
    enum ipmi_thresh_e thresh;
    int              rv;

    if (err) {
        printf("Error 0x%x getting events for sensor %s\n", err, sdata->name);
        goto out_err;
    }

    printf("Sensor %s threshold settings:\n", sdata->name);
    for (thresh=IPMI_LOWER_NON_CRITICAL;
         thresh<=IPMI_UPPER_NON_RECOVERABLE;
         thresh++)
    {
        int    val;
        double dval;

        rv = ipmi_sensor_threshold_readable(sensor, thresh, &val);
        if (rv || !val)
            /* Threshold not available. */
            continue;

        rv = ipmi_threshold_get(th, thresh, &dval);
        if (rv) {
            printf(" threshold %s could not be fetched due to error 0x%x\n",
                  ipmi_get_threshold_string(thresh), rv);
        } else {
            printf(" threshold %s is %lf\n",
                  ipmi_get_threshold_string(thresh), dval);
        }
    }

    rv = ipmi_get_default_sensor_thresholds(sensor, sdata->th);
    if (rv) {
        printf("Error 0x%x getting def thresholds for sensor %s\n",
              rv, sdata->name);
        goto out_err;
    }

    rv = ipmi_sensor_set_thresholds(sensor, sdata->th, thresholds_set, sdata);
    if (rv) {

```

```

        printf("Error 0x%x setting thresholds for sensor %s\n",
               rv, sdata->name);
        goto out_err;
    }
    return;

out_err:
    release_sdata(sdata);
}

/* Whenever the status of a sensor changes, the function is called
   We display the information of the sensor if we find a new sensor */
static void
sensor_change(enum ipmi_update_e op,
              ipmi_entity_t      *ent,
              ipmi_sensor_t      *sensor,
              void                *cb_data)
{
    sdata_t *sdata;
    int      rv;

    if (op == IPMI_ADDED) {
        sdata = alloc_sdata(sensor);
        if (!sdata) {
            printf("Unable to allocate sensor name memory\n");
            return;
        }

        printf("Sensor added: %s\n", sdata->name);

        /* Get the current reading. */
        if (ipmi_sensor_get_event_reading_type(sensor)
            == IPMI_EVENT_READING_TYPE_THRESHOLD)
        {
            use_sdata(sdata);
            rv = ipmi_sensor_get_reading(sensor, got_thresh_reading, sdata);
            if (rv) {
                printf("ipmi_reading_get returned error 0x%x for sensor %s\n",
                       rv, sdata->name);
                release_sdata(sdata);
            }
        }
        else {
            use_sdata(sdata);
            rv = ipmi_sensor_get_states(sensor, got_discrete_states, sdata);
            if (rv) {

```



```

        printf("ipmi_states_get returned error 0x%x for sensor %s\n",
               rv, sdata->name);
        release_sdata(sdata);
    }
}

/* Set up events. */
sdata->state_sup = ipmi_sensor_get_event_support(sensor);
switch (sdata->state_sup)
{
    case IPMI_EVENT_SUPPORT_NONE:
    case IPMI_EVENT_SUPPORT_GLOBAL_ENABLE:
        /* No events to set up. */
        printf("Sensor %s has no event support\n", sdata->name);
        goto get_thresh;
}

use_sdata(sdata);
rv = ipmi_sensor_get_event_enables(sensor, got_events, sdata);
if (rv) {
    printf("ipmi_sensor_events_enable_get returned error 0x%x"
           " for sensor %s\n",
           rv, sdata->name);
    release_sdata(sdata);
}

get_thresh:
/* Handle the threshold settings. */

if (ipmi_sensor_get_event_reading_type(sensor)
    != IPMI_EVENT_READING_TYPE_THRESHOLD)
    /* Thresholds only for threshold sensors (duh) */
    goto out;

sdata->thresh_sup = ipmi_sensor_get_threshold_access(sensor);

switch (sdata->thresh_sup)
{
    case IPMI_THRESHOLD_ACCESS_SUPPORT_NONE:
        printf("Sensor %s has no threshold support\n", sdata->name);
        goto out;

    case IPMI_THRESHOLD_ACCESS_SUPPORT_FIXED:
        printf("Sensor %s has fixed threshold support\n", sdata->name);
        goto out;
}

```

```

    use_sdata(sdata);
    rv = ipmi_sensor_get_thresholds(sensor, got_thresholds, sdata);
    if (rv) {
        printf("ipmi_thresholds_get returned error 0x%x"
               " for sensor %s\n",
               rv, sdata->name);
        release_sdata(sdata);
    }
} else if (op == IPMI_DELETED) {
    sdata = find_sdata(sensor);
    if (!sdata) {
        char name[120];
        ipmi_sensor_get_name(sensor, name, sizeof(name));

        printf("sensor %s was deleted but not found in the sensor db\n",
               name);
        goto out;
    }

    printf("sensor %s was deleted\n", sdata->name);
    release_sdata(sdata);
}

out:
    return;
}

/* Whenever the status of an entity changes, the function is called
   When a new entity is created, we search all sensors that belong
   to the entity */
static void
entity_change(enum ipmi_update_e op,
              ipmi_domain_t      *domain,
              ipmi_entity_t      *entity,
              void                *cb_data)
{
    int rv;
    char name[50];

    ipmi_entity_get_name(entity, name, sizeof(name));
    if (op == IPMI_ADDED) {
        printf("Entity added: %s\n", name);
        /* Register callback so that when the status of a
           sensor changes, sensor_change is called */
        rv = ipmi_entity_add_sensor_update_handler(entity,

```

```

                                sensor_change,
                                NULL);
    if (rv) {
        printf("ipmi_entity_set_sensor_update_handler: 0x%x", rv);
        exit(1);
    }
}

/* After we have established connection to domain, this function get called
   At this time, we can do whatever things we want to do. Here we want to
   search all entities in the system */
void
setup_done(ipmi_domain_t *domain,
           int          err,
           unsigned int conn_num,
           unsigned int port_num,
           int          still_connected,
           void         *user_data)
{
    int rv;

    /* Register a callback function entity_change. When a new entities
       is created, entity_change is called */
    rv = ipmi_domain_add_entity_update_handler(domain, entity_change, domain);
    if (rv) {
        printf("ipmi_domain_add_entity_update_handler return error: %d\n", rv);
        return;
    }
}

static os_handler_t *os_hnd;

int
main(int argc, char *argv[])
{
    int          rv;
    int          curr_arg = 1;
    ipmi_args_t *args;
    ipmi_con_t  *con;

    progname = argv[0];

    /* OS handler allocated first. */
    os_hnd = ipmi_posix_setup_os_handler();
    if (!os_hnd) {

```

```
    printf("ipmi_smi_setup_con: Unable to allocate os handler\n");
    exit(1);
}

/* Use the default log handler. */

/* Initialize the OpenIPMI library. */
ipmi_init(os_hnd);

rv = ipmi_parse_args(&curr_arg, argc, argv, &args);
if (rv) {
    fprintf(stderr, "Error parsing command arguments, argument %d: %s\n",
            curr_arg, strerror(rv));
    usage();
    exit(1);
}

rv = ipmi_args_setup_con(args, os_hnd, NULL, &con);
if (rv) {
    fprintf(stderr, "ipmi_ip_setup_con: %s", strerror(rv));
    exit(1);
}

rv = ipmi_open_domain("", &con, 1, setup_done, NULL, NULL, NULL,
                    NULL, 0, NULL);
if (rv) {
    fprintf(stderr, "ipmi_init_domain: %s\n", strerror(rv));
    exit(1);
}

/* This is the main loop of the event-driven program.
   Try <CTRL-C> to exit the program */
/* Let the selector code run the select loop. */
os_hnd->operation_loop(os_hnd);

/* Technically, we can't get here, but this is an example. */
os_hnd->free_os_handler(os_hnd);
return 0;
}
```

## Appendix J

# Command Receiver Program

```
#include <sys/types.h>
#include <sys/stat.h>
#include <fcntl.h>
#include <errno.h>
#include <sys/select.h>
#include <sys/ioctl.h>
#include <linux/ipmi.h>
#include <stdio.h>

#define MY_NETFN      0x32
#define MY_CMD       0x01

int
main(int argc, char *argv)
{
    int          fd;
    int          rv;
    int          i;
    struct ipmi_cmdspec cmdspec;
    unsigned char data[IPMI_MAX_MSG_LENGTH];
    struct ipmi_addr  addr;
    struct ipmi_recv  recv;
    struct ipmi_req   req;
    fd_set        rset;
    int           count;
    int           got_one;

    fd = open("/dev/ipmi0", O_RDWR);
    if (fd == -1) {
        fd = open("/dev/ipmidev/0", O_RDWR);
        if (fd == -1) {
```

```

        perror("open");
        exit(1);
    }
}

/* Register to get the command */
cmdspeg.netfn = MY_NETFN;
cmdspeg.cmd = MY_CMD;
rv = ioctl(fd, IPMICTL_REGISTER_FOR_CMD, &cmdspeg);
if (rv == -1) {
    perror("ioctl register_for_cmd");
    exit(1);
}
count = 0;
got_one = 0;

while (count || !got_one) {
    /* Wait for a message. */
    FD_ZERO(&rset);
    FD_SET(fd, &rset);
    rv = select(fd+1, &rset, NULL, NULL, NULL);
    if (rv == -1) {
        if (errno == EINTR)
            continue;
        perror("select");
        exit(1);
    }

    /* Get the message. */
    recv.msg.data = data;
    recv.msg.data_len = sizeof(data);
    recv.addr = (unsigned char *) &addr;
    recv.addr_len = sizeof(addr);
    rv = ioctl(fd, IPMICTL_RECEIVE_MSG_TRUNC, &recv);
    if (rv == -1) {
        perror("ioctl recv_msg_trunc");
        exit(1);
    }

    if ((recv.recv_type == IPMI_CMD_RECV_TYPE)
        && (recv.msg.netfn == MY_NETFN)
        && (recv.msg.cmd == MY_CMD))
    {
        /* We got a command, send a response. */
        data[0] = 0; /* No error */
        for (i=1; i<10; i++)

```

```

    data[i] = i;
    req.addr = (void *) recv.addr;
    req.addr_len = recv.addr_len;
    req.msgid = recv.msgid;
    req.msg.netfn = recv.msg.netfn | 1; /* Make it a response */
    req.msg.cmd = recv.msg.cmd;
    req.msg.data = data;
    req.msg.data_len = 10;
    rv = ioctl(fd, IPMICTL_SEND_COMMAND, &req);
    if (rv == -1) {
        perror("ioctl send_cmd");
        exit(1);
    }
    count++;
    got_one = 1;
}
else if ((recv.recv_type == IPMI_RESPONSE_RESPONSE_TYPE)
        && (recv.msg.netfn == MY_NETFN | 1)
        && (recv.msg.cmd == MY_CMD))
{
    /* We got a response to our response send, done. */
    count--;
}
else
{
    printf("Got wrong msg type %d, netfn %x, cmd %x\n",
          recv.recv_type, recv.msg.netfn, recv.msg.cmd);
}
}

/* Remove our command registration. */
rv = ioctl(fd, IPMICTL_UNREGISTER_FOR_CMD, &cmdspeg);
if (rv == -1) {
    perror("ioctl unregister_for_cmd");
    exit(1);
}

exit(0);
}

```





## Appendix K

# Connection Handling Interface (ipmi\_conn.h)

```
/*
 * ipmi_conn.h
 *
 * MontaVista IPMI interface, definition for a low-level connection (like a
 * LAN interface, or system management interface, etc.).
 *
 * Author: MontaVista Software, Inc.
 *         Corey Minyard <minyard@mvista.com>
 *         source@mvista.com
 *
 * Copyright 2002,2003 MontaVista Software Inc.
 *
 * This program is free software; you can redistribute it and/or
 * modify it under the terms of the GNU Lesser General Public License
 * as published by the Free Software Foundation; either version 2 of
 * the License, or (at your option) any later version.
 *
 * THIS SOFTWARE IS PROVIDED ‘‘AS IS’’ AND ANY EXPRESS OR IMPLIED
 * WARRANTIES, INCLUDING, BUT NOT LIMITED TO, THE IMPLIED WARRANTIES OF
 * MERCHANTABILITY AND FITNESS FOR A PARTICULAR PURPOSE ARE DISCLAIMED.
 * IN NO EVENT SHALL THE AUTHOR BE LIABLE FOR ANY DIRECT, INDIRECT,
 * INCIDENTAL, SPECIAL, EXEMPLARY, OR CONSEQUENTIAL DAMAGES (INCLUDING,
 * BUT NOT LIMITED TO, PROCUREMENT OF SUBSTITUTE GOODS OR SERVICES; LOSS
 * OF USE, DATA, OR PROFITS; OR BUSINESS INTERRUPTION) HOWEVER CAUSED AND
 * ON ANY THEORY OF LIABILITY, WHETHER IN CONTRACT, STRICT LIABILITY, OR
 * TORT (INCLUDING NEGLIGENCE OR OTHERWISE) ARISING IN ANY WAY OUT OF THE
 * USE OF THIS SOFTWARE, EVEN IF ADVISED OF THE POSSIBILITY OF SUCH DAMAGE.
```

```

*
* You should have received a copy of the GNU Lesser General Public
* License along with this program; if not, write to the Free
* Software Foundation, Inc., 675 Mass Ave, Cambridge, MA 02139, USA.
*/

#ifndef _IPMI_CONN_H
#define _IPMI_CONN_H

#include <OpenIPMI/ipmi_types.h>
#include <OpenIPMI/ipmi_addr.h>
#include <OpenIPMI/ipmiif.h>
#include <OpenIPMI/os_handler.h>

#ifdef __cplusplus
extern "C" {
#endif

/* Called when an IPMI response to a command comes in from the BMC. */
typedef int (*ipmi_ll_rsp_handler_t)(ipmi_con_t *ipmi,
                                     ipmi_msg_t *rsp);

/* Called when an IPMI event comes in from the BMC. Note that the
event may be NULL, meaning that an event came in but did not have
enough information to build a full event message. So this is just
an indication that there is a new event in the event log. Note that
if an event is delivered here, it's mcid might be invalid, so that
may need to be established here. */
typedef void (*ipmi_ll_evt_handler_t)(ipmi_con_t *ipmi,
                                     const ipmi_addr_t *addr,
                                     unsigned int addr_len,
                                     ipmi_event_t *event,
                                     void *cb_data);

/* Called when an incoming command is received by the IPMI code. */
typedef void (*ipmi_ll_cmd_handler_t)(ipmi_con_t *ipmi,
                                     const ipmi_addr_t *addr,
                                     unsigned int addr_len,
                                     const ipmi_msg_t *cmd,
                                     long sequence,
                                     void *cmd_data,
                                     void *data2,
                                     void *data3);

/* Called when a low-level connection has failed or come up. If err
is zero, the connection has come up after being failed. if err is

```

```

non-zero, it's an error number to report why the failure occurred.
Since some connections support multiple ports into the system, this
is used to report partial failures as well as full failures.
port_num will be the port number that has failed (if err is
nonzero) or has just come up (if err is zero). What port_num that
means depends on the connection type. any_port_up will be true if
the system still has connectivity through other ports. */
typedef void (*ipmi_ll_con_changed_cb)(ipmi_con_t *ipmi,
                                       int err,
                                       unsigned int port_num,
                                       int any_port_up,
                                       void *cb_data);

/* Used when fetching the IPMB address of the connection. The active
parm tells if the interface is active or not, this callback is also
used to inform the upper layer when the connection becomes active
or inactive. Note that there can be one IPMB address per channel,
so this allows an array of IPMBs to be passed, one per channel.
Set the IPMB to 0 if unknown. */
typedef void (*ipmi_ll_ipmb_addr_cb)(ipmi_con_t *ipmi,
                                     int err,
                                     const unsigned char ipmb_addr[],
                                     unsigned int num_ipmb_addr,
                                     int active,
                                     unsigned int hacks,
                                     void *cb_data);

/* Used to handle knowing when the connection shutdown is complete. */
typedef void (*ipmi_ll_con_closed_cb)(ipmi_con_t *ipmi, void *cb_data);

/* Set this bit in the hacks if, even though the connection is to a
device not at 0x20, the first part of a LAN command should always
use 0x20. */
#define IPMI_CONN_HACK_20_AS_MAIN_ADDR 0x00000001

/* Some systems (incorrectly, according to the spec) use only the
bottom 4 bits or ROLE(m) for authentication in the RAKP3 message.
The spec says to use all 8 bits, but enabling this hack makes
OpenIPMI only use the bottom 4 bits. */
#define IPMI_CONN_HACK_RAKP3_WRONG_ROLEM 0x00000002

/* The spec is vague (perhaps wrong), but the default for RMCP+ seems
to be to use K(1) as the integrity key. That is thus the default
of OpenIPMI, but this hack lets you use SIK as it says in one part
of the spec. */
#define IPMI_CONN_HACK_RMCP_INTEG_SIK 0x00000004

```

```
/*
 * Used to pass special options for sending messages.
 */
typedef struct ipmi_con_option_s
{
    int option;
    union {
        long ival;
        void *pval;
    };
} ipmi_con_option_t;

/* Used to mark the end of the option list. Must always be the last
option. */
#define IPMI_CON_OPTION_LIST_END          0

/* Enable/disable authentication on the message (set by ival).
Default is enabled. */
#define IPMI_CON_MSG_OPTION_AUTH         1

/* Enable/disable confidentiality (encryption) on the message (set by
ival). Default is enabled. */
#define IPMI_CON_MSG_OPTION_CONF        2

/* The data structure representing a connection. The low-level handler
fills this out then calls ipmi_init_con() with the connection. */
struct ipmi_con_s
{
    /* If this is zero, the domain handling code will not attempt to
scan the system interface address of the connection. If 1, it
will. Generally, if the system interface will respond on a
IPMB address, you should set this to zero. If it does not
respond on an IPMB, you should set this to one if it is a
management controller. */
    int scan_sysaddr;

    /* The low-level handler should provide one of these for doing os-type
things (locks, random numbers, etc.) */
    os_handler_t *os_hnd;

    /* This data can be fetched by the user and used for anything they
like. */
    void *user_data;
};
```



```

/* This call gets the IPMB address of the connection. It may be
   NULL if the connection does not support this. This call may be
   set or overridden by the OEM code. This is primarily for use
   by the connection code itself, the OEM code for the BMC
   connected to should set this. If it is not set, the IPMB
   address is assumed to be 0x20. This *should* send a message to
   the device, because connection code will assume that and use it
   to check for device function. This should also check if the
   device is active. If this is non-null, it will be called
   periodically. */
int (*get_ipmb_addr)(ipmi_con_t          *ipmi,
                    ipmi_ll_ipmb_addr_cb handler,
                    void                 *cb_data);

/* Change the state of the connection to be active or inactive.
   This may be NULL if the connection does not support this. The
   interface code may set this, the OEM code should override this
   if necessary. */
int (*set_active_state)(ipmi_con_t      *ipmi,
                       int              is_active,
                       ipmi_ll_ipmb_addr_cb handler,
                       void             *cb_data);

/* Send an IPMI command (in "msg" on the "ipmi" connection to the
   given "addr". When the response comes in or the message times
   out, rsp_handler will be called with the following four data
   items. Note that the lower layer MUST guarantee that the
   reponse handler is called, even if it fails or the message is
   dropped. */
int (*send_command)(ipmi_con_t          *ipmi,
                   const ipmi_addr_t    *addr,
                   unsigned int         addr_len,
                   const ipmi_msg_t     *msg,
                   ipmi_ll_rsp_handler_t rsp_handler,
                   ipmi_msgi_t          *rspi);

/* Register to receive IPMI events from the interface. */
int (*add_event_handler)(ipmi_con_t      *ipmi,
                        ipmi_ll_evt_handler_t handler,
                        void             *cb_data);

/* Remove an event handler. */
int (*remove_event_handler)(ipmi_con_t    *ipmi,
                           ipmi_ll_evt_handler_t handler,
                           void          *cb_data);

```

```

/* Send a response message. This is not supported on all
   interfaces, primarily only on system management interfaces. If
   not supported, this should return ENOSYS. */
int (*send_response)(ipmi_con_t      *ipmi,
                    const ipmi_addr_t *addr,
                    unsigned int      addr_len,
                    const ipmi_msg_t  *msg,
                    long               sequence);

/* Register to receive incoming commands. This is not supported
   on all interfaces, primarily only on system management
   interfaces. If not supported, this should return ENOSYS. */
int (*register_for_command)(ipmi_con_t      *ipmi,
                           unsigned char    netfn,
                           unsigned char    cmd,
                           ipmi_ll_cmd_handler_t handler,
                           void             *cmd_data,
                           void             *data2,
                           void             *data3);

/* Deregister a command registration. This is not supported on
   all interfaces, primarily only on system management interfaces.
   If not supported, this should return ENOSYS. */
int (*deregister_for_command)(ipmi_con_t *ipmi,
                              unsigned char netfn,
                              unsigned char cmd);

/* Close an IPMI connection. */
int (*close_connection)(ipmi_con_t *ipmi);

/* This is set by OEM code to handle certain conditions when a
   send message fails. It is currently only used by the IPMI LAN
   code, if a send messages response is an error, this will be
   called first. If this function returns true, then the IPMI LAN
   code will not do anything with the message. */
int (*handle_send_rsp_err)(ipmi_con_t *con, ipmi_msg_t *msg);

/* Name the connection code can use for logging and instance names
   for statistics. Must be dynamically allocated with
   ipmi_mem_alloc(). The connection code will free this. May be
   NULL. */
char *name;

/* The connection code may put a string here to identify
   itself. */
char *con_type;

```

```

/* The privilege level of the connection */
unsigned int priv_level;

/* Close an IPMI connection and report that it is closed. */
int (*close_connection_done)(ipmi_con_t      *ipmi,
                             ipmi_ll_con_closed_cb handler,
                             void           *cb_data);

/* Hacks reported by OEM code. This should be set by the lower
   layer or by the user interface code. */
unsigned int hacks;

/* The IPMB address as reported by the lower layer. */
unsigned char ipmb_addr[MAX_IPMI_USED_CHANNELS];

/* Handle an async event for the connection reported by something
   else. */
void (*handle_async_event)(ipmi_con_t      *con,
                           const ipmi_addr_t *addr,
                           unsigned int     addr_len,
                           const ipmi_msg_t *msg);

/* Used by the connection attribute code. Don't do anything with
   this yourself!. The thing that creates this connection should
   call ipmi_con_attr_init() when the connection is created and
   ipmi_con_attr_cleanup() when the connection is destroyed. */
void *attr;

/* Statistics interfaces. These may be NULL if the user doesn't
   want statistics. They pass in the user data field. */
int (*register_stat)(void *user_data, char *name,
                   char *instance, void **stat);
void (*add_stat)(void *user_data, void *stat, int value);
void (*finished_with_stat)(void *user_data, void *stat);

/* Return the arguments or the connection. */
ipmi_args_t *(*get_startup_args)(ipmi_con_t *con);

/* Increment the usecount of the connection; for each use, the
   connection must be closed. This may be NULL if the connection
   type does not support being reused. */
void (*use_connection)(ipmi_con_t *con);

/* Like send_command, but with options. options may be NULL if
   none. If options are passed in, they must be terminated with

```



```

    the proper option. This field may be NULL if the connection
    does not support options. */
int (*send_command_option)(ipmi_con_t          *ipmi,
                           const ipmi_addr_t   *addr,
                           unsigned int        addr_len,
                           const ipmi_msg_t    *msg,
                           const ipmi_con_option_t *options,
                           ipmi_ll_rsp_handler_t  rsp_handler,
                           ipmi_msgi_t         *rspi);

};

#define IPMI_CONN_NAME(c) (c->name ? c->name : "")

/* Initialization code for the initialization the connection code. */
int _ipmi_conn_init(os_handler_t *os_hnd);
void _ipmi_conn_shutdown(void);

/* Address types for external addresses. */
#define IPMI_EXTERN_ADDR_IP    1

/* Handle a trap from an external SNMP source. It returns 1 if the
   event was handled an zero if it was not. */
int ipmi_handle_snmp_trap_data(const void      *src_addr,
                               unsigned int    src_addr_len,
                               int             src_addr_type,
                               long            specific,
                               const unsigned char *data,
                               unsigned int    data_len);

/* These calls deal with OEM-type handlers for connections. Certain
   connections can be detected with special means (beyond just the
   manufacturer and product id) and this allows handlers for these
   types of connections to be registered. At the very initial
   connection of every connection, the handler will be called and it
   must detect whether this is the specific type of connection or not,
   do any setup for that connection type, and then call the done
   routine passed in. Note that the done routine may be called later,
   (allowing this handler to send messages and the like) but it must
   be called. Note that this has no cancellation handler. It relies
   on the lower levels returning responses for all the commands with
   NULL connections. */
typedef void (*ipmi_conn_oem_check_done)(ipmi_con_t *conn,
                                         void      *cb_data);
typedef int (*ipmi_conn_oem_check)(ipmi_con_t      *conn,

```

```

        void                *check_cb_data,
        ipmi_conn_oem_check_done done,
        void                *done_cb_data);
int ipmi_register_conn_oem_check(ipmi_conn_oem_check check,
                                void                *cb_data);
int ipmi_deregister_conn_oem_check(ipmi_conn_oem_check check,
                                   void                *cb_data);
/* Should be called by the connection code for any new connection. */
int ipmi_conn_check_oem_handlers(ipmi_con_t          *conn,
                                 ipmi_conn_oem_check_done done,
                                 void                *cb_data);

/* Generic message handling */
void ipmi_handle_rsp_item(ipmi_con_t          *ipmi,
                         ipmi_msgi_t        *rspi,
                         ipmi_ll_rsp_handler_t rsp_handler);

void ipmi_handle_rsp_item_copymsg(ipmi_con_t          *ipmi,
                                 ipmi_msgi_t        *rspi,
                                 const ipmi_msg_t    *msg,
                                 ipmi_ll_rsp_handler_t rsp_handler);

void ipmi_handle_rsp_item_copyall(ipmi_con_t          *ipmi,
                                  ipmi_msgi_t        *rspi,
                                  const ipmi_addr_t   *addr,
                                  unsigned int        addr_len,
                                  const ipmi_msg_t    *msg,
                                  ipmi_ll_rsp_handler_t rsp_handler);

/* You should use these for allocating and freeing message items. Note
   that if you set item->msg.data to a non-NULL value that is not
   item->data, the system will free it with ipmi_free_msg_item_data().
   So you should allocate it with ipmi_alloc_msg_item_data9). */
ipmi_msgi_t *ipmi_alloc_msg_item(void);
void ipmi_free_msg_item(ipmi_msgi_t *item);
void *ipmi_alloc_msg_item_data(unsigned int size);
void ipmi_free_msg_item_data(void *data);
/* Move the data from the old message item to the new one, NULL-ing
   out the old item's data. This will free the new_item's original
   data if necessary. This will *not* copy the data items, just the
   address and message. */
void ipmi_move_msg_item(ipmi_msgi_t *new_item, ipmi_msgi_t *old_item);

/*
 * Connection attributes. These are named items that code may create
 * to attach a void data item to a connection by name. It can then

```

```

* look up the data item by name. Note that you can call
* ipmi_con_register_attribute multiple times. The first time will
* create the item, the rest of the times will return the existing
* item.
*
* When the connection is destroyed, the destroy function will be
* called on the attribute so the memory (or anything else) can be
* cleaned up.
*
* This is especially for use by RMCP+ payloads so they may attach
* data to the connection they are associated with.
*/
typedef struct ipmi_con_attr_s ipmi_con_attr_t;

/* Attr init function. Return the data item in the data field. Returns
   an error value. Will only be called once for the attribute. */
typedef int (*ipmi_con_attr_init_cb)(ipmi_con_t *con, void *cb_data,
                                     void **data);

/* Called when the attribute is destroyed. Note that this may happen
   after connection destruction, so the connection may not exist any
   more. */
typedef void (*ipmi_con_attr_kill_cb)(void *cb_data, void *data);

int ipmi_con_register_attribute(ipmi_con_t      *con,
                              char             *name,
                              ipmi_con_attr_init_cb init,
                              ipmi_con_attr_kill_cb destroy,
                              void            *cb_data,
                              ipmi_con_attr_t  **attr);

int ipmi_con_find_attribute(ipmi_con_t      *con,
                           char            *name,
                           ipmi_con_attr_t **attr);

void *ipmi_con_attr_get_data(ipmi_con_attr_t *attr);
/* You must call the put operation of every attribute returned by
   register or find. */
void ipmi_con_attr_put(ipmi_con_attr_t *attr);
int ipmi_con_attr_init(ipmi_con_t *con);
void ipmi_con_attr_cleanup(ipmi_con_t *con);

#ifdef __cplusplus
}
#endif

#endif /* _IPMI_CONN_H */

```



## Appendix L

# OS Handler Interface (os\_handler.h)

```
/*
 * os_handler.h
 *
 * MontaVista IPMI os handler interface.
 *
 * Author: MontaVista Software, Inc.
 *        Corey Minyard <minyard@mvista.com>
 *        source@mvista.com
 *
 * Copyright 2002,2003,2004,2005 MontaVista Software Inc.
 *
 * This software is available to you under a choice of one of two
 * licenses. You may choose to be licensed under the terms of the GNU
 * Lesser General Public License (GPL) Version 2 or the modified BSD
 * license below. The following disclaimer applies to both licenses:
 *
 * THIS SOFTWARE IS PROVIDED ‘‘AS IS’’ AND ANY EXPRESS OR IMPLIED
 * WARRANTIES, INCLUDING, BUT NOT LIMITED TO, THE IMPLIED WARRANTIES OF
 * MERCHANTABILITY AND FITNESS FOR A PARTICULAR PURPOSE ARE DISCLAIMED.
 * IN NO EVENT SHALL THE AUTHOR BE LIABLE FOR ANY DIRECT, INDIRECT,
 * INCIDENTAL, SPECIAL, EXEMPLARY, OR CONSEQUENTIAL DAMAGES (INCLUDING,
 * BUT NOT LIMITED TO, PROCUREMENT OF SUBSTITUTE GOODS OR SERVICES; LOSS
 * OF USE, DATA, OR PROFITS; OR BUSINESS INTERRUPTION) HOWEVER CAUSED AND
 * ON ANY THEORY OF LIABILITY, WHETHER IN CONTRACT, STRICT LIABILITY, OR
 * TORT (INCLUDING NEGLIGENCE OR OTHERWISE) ARISING IN ANY WAY OUT OF THE
 * USE OF THIS SOFTWARE, EVEN IF ADVISED OF THE POSSIBILITY OF SUCH DAMAGE.
 *
 * GNU Lesser General Public License
 *
 * This program is free software; you can redistribute it and/or
 * modify it under the terms of the GNU Lesser General Public License
```

```

* as published by the Free Software Foundation; either version 2 of
* the License, or (at your option) any later version.
*
* You should have received a copy of the GNU Lesser General Public
* License along with this program; if not, write to the Free
* Software Foundation, Inc., 675 Mass Ave, Cambridge, MA 02139, USA.
*
* Modified BSD Licence
*
* Redistribution and use in source and binary forms, with or without
* modification, are permitted provided that the following conditions
* are met:
*
* 1. Redistributions of source code must retain the above copyright
* notice, this list of conditions and the following disclaimer.
* 2. Redistributions in binary form must reproduce the above
* copyright notice, this list of conditions and the following
* disclaimer in the documentation and/or other materials provided
* with the distribution.
* 3. The name of the author may not be used to endorse or promote
* products derived from this software without specific prior
* written permission.
*/

#ifndef __OS_HANDLER_H
#define __OS_HANDLER_H

#include <stdarg.h>
#include <sys/time.h>
#include <OpenIPMI/ipmi_log.h>

/*****
* WARNINGWARNINGWARNINGWARNINGWARNINGWARNINGWARNINGWARNINGWARNING
*
* In order to make this data structure extensible, you should never
* declare a static version of the OS handler. You should *always*
* allocate it with the allocation routine at the end of this file,
* and free it with the free routine found there. That way, if new
* items are added to the end of this data structure, you are ok. You
* have been warned! Note that if you use the standard OS handlers,
* then you are ok.
*
*****/

#ifdef __cplusplus
extern "C" {

```

```

#endif

/* An os-independent normal lock. */
typedef struct os_hnd_lock_s os_hnd_lock_t;

/* An os-independent read/write lock. */
typedef struct os_hnd_rwlock_s os_hnd_rwlock_t;

/* An os-independent condition variable. */
typedef struct os_hnd_cond_s os_hnd_cond_t;

/* An os-independent file descriptor holder. */
typedef struct os_hnd_fd_id_s os_hnd_fd_id_t;

/* An os-independent timer. */
typedef struct os_hnd_timer_id_s os_hnd_timer_id_t;

/* This is a structure that defined the os-dependent stuff required by
   threaded code. In general, return values of these should be zero
   on success, or an errno value on failure. The errno values will be
   propagated back up to the commands that caused these to be called,
   if possible. */
typedef void (*os_data_ready_t)(int fd, void *cb_data, os_hnd_fd_id_t *id);
typedef void (*os_timed_out_t)(void *cb_data, os_hnd_timer_id_t *id);

/* This can be registered with add_fd_to_wait_for, it will be called
   if the fd handler is freed or replaced. This can be used to avoid
   free race conditions, handlers may be in callbacks when you remove
   an fd to wait for, this will be called when all handlers are
   done. */
typedef void (*os_fd_data_freed_t)(int fd, void *data);

/* This can be registered with free_timer, it will be called if the
   time free actually occurs. This can be used to avoid free race
   conditions, handlers may be in callbacks when you free the timer,
   this will be called when all handlers are done. */
typedef void (*os_timer_freed_t)(void *data);

typedef struct os_handler_s os_handler_t;

/* A function to output logs, used to override the default functions. */
typedef void (*os_vlog_t)(os_handler_t *handler,
                          const char *format,
                          enum ipmi_log_type_e log_type,
                          va_list ap);

```

```

struct os_handler_s
{
    /* Allocate and free data, like malloc() and free(). These are
       only used in the "main" os handler, too, not in the oned
       registered for domains. */
    void *(*mem_alloc)(int size);
    void (*mem_free)(void *data);

    /* This is called by the user code to register a callback handler
       to be called when data is ready to be read on the given file
       descriptor. I know, it's kind of wierd, a callback to register
       a callback, but it's the best way I could think of to do this.
       This call will return an id that can then be used to cancel
       the wait. The called code should register that whenever data
       is ready to be read from the given file descriptor, data_ready
       should be called with the given cb_data. If this is NULL, you
       may only call the commands ending in "_wait", the event-driven
       code will return errors. You also may not receive commands or
       events. Note that these calls may NOT block. */
    int (*add_fd_to_wait_for)(os_handler_t      *handler,
                              int                fd,
                              os_data_ready_t   data_ready,
                              void              *cb_data,
                              os_fd_data_freed_t freed,
                              os_hnd_fd_id_t    **id);
    int (*remove_fd_to_wait_for)(os_handler_t *handler,
                                 os_hnd_fd_id_t *id);

    /* Create a timer. This will allocate all the data required for
       the timer, so no other timer operations should fail due to lack
       of memory. */
    int (*alloc_timer)(os_handler_t      *handler,
                      os_hnd_timer_id_t **id);
    /* Free the memory for the given timer. If the timer is running,
       stop it first. */
    int (*free_timer)(os_handler_t      *handler,
                     os_hnd_timer_id_t *id);
    /* This is called to register a callback handler to be called at
       the given time or after (absolute time, as seen by
       gettimeofday). After the given time has passed, the
       "timed_out" will be called with the given cb_data. The
       identifier in "id" just be one previously allocated with
       alloc_timer(). Note that timed_out may NOT block. */
    int (*start_timer)(os_handler_t      *handler,
                      os_hnd_timer_id_t *id,
                      struct timeval     *timeout,

```



```

        os_timed_out_t    timed_out,
        void              *cb_data);
/* Cancel the given timer.  If the timer has already been called
   (or is in the process of being called) this should return
   ESRCH, and it may not return ESRCH for any other reason.  In
   other words, if ESRCH is returned, the timer is valid and the
   timeout handler has or will be called.  */
int (*stop_timer)(os_handler_t    *handler,
                  os_hnd_timer_id_t *id);

/* Used to implement locking primitives for multi-threaded access.
   If these are NULL, then the code will assume that the system is
   single-threaded and doesn't need locking.  Note that these no
   longer have to be recursive locks, they may be normal
   non-recursive locks.  */
int (*create_lock)(os_handler_t *handler,
                  os_hnd_lock_t **id);
int (*destroy_lock)(os_handler_t *handler,
                   os_hnd_lock_t *id);
int (*lock)(os_handler_t *handler,
            os_hnd_lock_t *id);
int (*unlock)(os_handler_t *handler,
              os_hnd_lock_t *id);

/* Return "len" bytes of random data into "data".  */
int (*get_random)(os_handler_t *handler,
                  void          *data,
                  unsigned int  len);

/* Log reports some through here.  They will not end in newlines.
   See the log types defined in ipmiif.h for more information on
   handling these.  */
void (*log)(os_handler_t    *handler,
            enum ipmi_log_type_e log_type,
            const char      *format,
            ...);
void (*vlog)(os_handler_t    *handler,
             enum ipmi_log_type_e log_type,
             const char      *format,
             va_list         ap);

/* The user may use this for whatever they like.  */
void *user_data;

/* The rest of these are not used by OpenIPMI proper, but are here

```

```

for upper layers if they need them.  If your upper layer
doesn't use theses, you don't have to provide them. */

/* Condition variables, like in POSIX Threads. */
int (*create_cond)(os_handler_t *handler,
                  os_hnd_cond_t **cond);
int (*destroy_cond)(os_handler_t *handler,
                   os_hnd_cond_t *cond);
int (*cond_wait)(os_handler_t *handler,
                os_hnd_cond_t *cond,
                os_hnd_lock_t *lock);
/* The timeout here is relative, not absolute. */
int (*cond_timedwait)(os_handler_t *handler,
                    os_hnd_cond_t *cond,
                    os_hnd_lock_t *lock,
                    struct timeval *timeout);
int (*cond_wake)(os_handler_t *handler,
                os_hnd_cond_t *cond);
int (*cond_broadcast)(os_handler_t *handler,
                    os_hnd_cond_t *cond);

/* Thread management */
int (*create_thread)(os_handler_t *handler,
                   int priority,
                   void (*startup)(void *data),
                   void *data);
/* Terminate the running thread. */
int (*thread_exit)(os_handler_t *handler);

/* Should *NOT* be used by the user, this is for the OS handler's
   internal use. */
void *internal_data;

/*****/

/* These are basic function on the OS handler that are here for
   convenience to the user.  These are not used by OpenIPMI
   proper.  Depending on the specific OS handler, these may or may
   not be implemented.  If you are not sure, check for NULL. */

/* Free the OS handler passed in.  After this call, the OS handler
   may not be used any more.  May sure that nothing is using it
   before this is called. */
void (*free_os_handler)(os_handler_t *handler);

/* Wait up to the amount of time specified in timeout (relative

```

```

time) to perform one operation (a timeout, file operation,
etc.) then return. This return a standard errno. If timeout
is NULL, then this will wait forever. */
int (*perform_one_op)(os_handler_t *handler,
                     struct timeval *timeout);

/* Loop continuously handling operations. This function does not
return. */
void (*operation_loop)(os_handler_t *handler);

/* The following are no longer implemented because they are
race-prone, unneeded, and/or difficult to implement. You may
safely set these to NULL, but they are here for backwards
compatibility with old os handlers. */
int (*is_locked)(os_handler_t *handler,
                 os_hnd_lock_t *id);
int (*create_rwlock)(os_handler_t *handler,
                    os_hnd_rwlock_t **id);
int (*destroy_rwlock)(os_handler_t *handler,
                     os_hnd_rwlock_t *id);
int (*read_lock)(os_handler_t *handler,
                 os_hnd_rwlock_t *id);
int (*read_unlock)(os_handler_t *handler,
                   os_hnd_rwlock_t *id);
int (*write_lock)(os_handler_t *handler,
                  os_hnd_rwlock_t *id);
int (*write_unlock)(os_handler_t *handler,
                    os_hnd_rwlock_t *id);
int (*is_readlocked)(os_handler_t *handler,
                     os_hnd_rwlock_t *id);
int (*is_writelocked)(os_handler_t *handler,
                       os_hnd_rwlock_t *id);

/* Database storage and retrieval routines. These are used by
things in OpenIPMI to speed up various operations by caching
data locally instead of going to the actual system to get them.
The key is a arbitrary length character string. The find
routine returns an error on failure. Otherwise, if it can
fetch the data without delay, it allocates a block of data and
returns it in data (with the length in data_len) and sets
fetch_completed to true. Otherwise, if it cannot fetch the
data without delay, it will set fetch_completed to false and
start the database operation, calling got_data() when it is
done.

```

```

The data returned should be freed by database_free. Note that
these routines are optional and do not need to be here, they
simply speed up operation when working correctly. Also, if
these routines fail for some reason it is not fatal to the
operation of OpenIPMI. It is not a big deal. */
int (*database_store)(os_handler_t *handler,
                     char          *key,
                     unsigned char *data,
                     unsigned int  data_len);
int (*database_find)(os_handler_t *handler,
                    char          *key,
                    unsigned int  *fetch_completed,
                    unsigned char **data,
                    unsigned int  *data_len,
                    void (*got_data)(void          *cb_data,
                                     int          err,
                                     unsigned char *data,
                                     unsigned int  data_len),
                    void *cb_data);
void (*database_free)(os_handler_t *handler,
                     unsigned char *data);
/* Sets the filename to use for the database to the one specified.
   The meaning is system-dependent. On *nix systems it defaults
   to $HOME/.OpenIPMI_db. This is for use by the user, OpenIPMI
   proper does not use this. */
int (*database_set_filename)(os_handler_t *handler,
                             char          *name);

/* Set the function to send logs to. */
void (*set_log_handler)(os_handler_t *handler,
                       os_vlog_t    log_handler);
};

/* Only use these to allocate/free OS handlers. */
os_handler_t *ipmi_alloc_os_handler(void);
void ipmi_free_os_handler(os_handler_t *handler);

#ifdef __cplusplus
}
#endif

#endif /* __OS_HANDLER_H */

```

# Bibliography

- [1] Distributed Management Task Fork (DMTF). *Alert Standard Format Specification*.
- [2] Intel, Hewlett-Packard, NEC, Dell. *IPMI – Intelligent Platform Management Interface Specification*.
- [3] Netsnmp. <http://www.netsnmp.org>.

