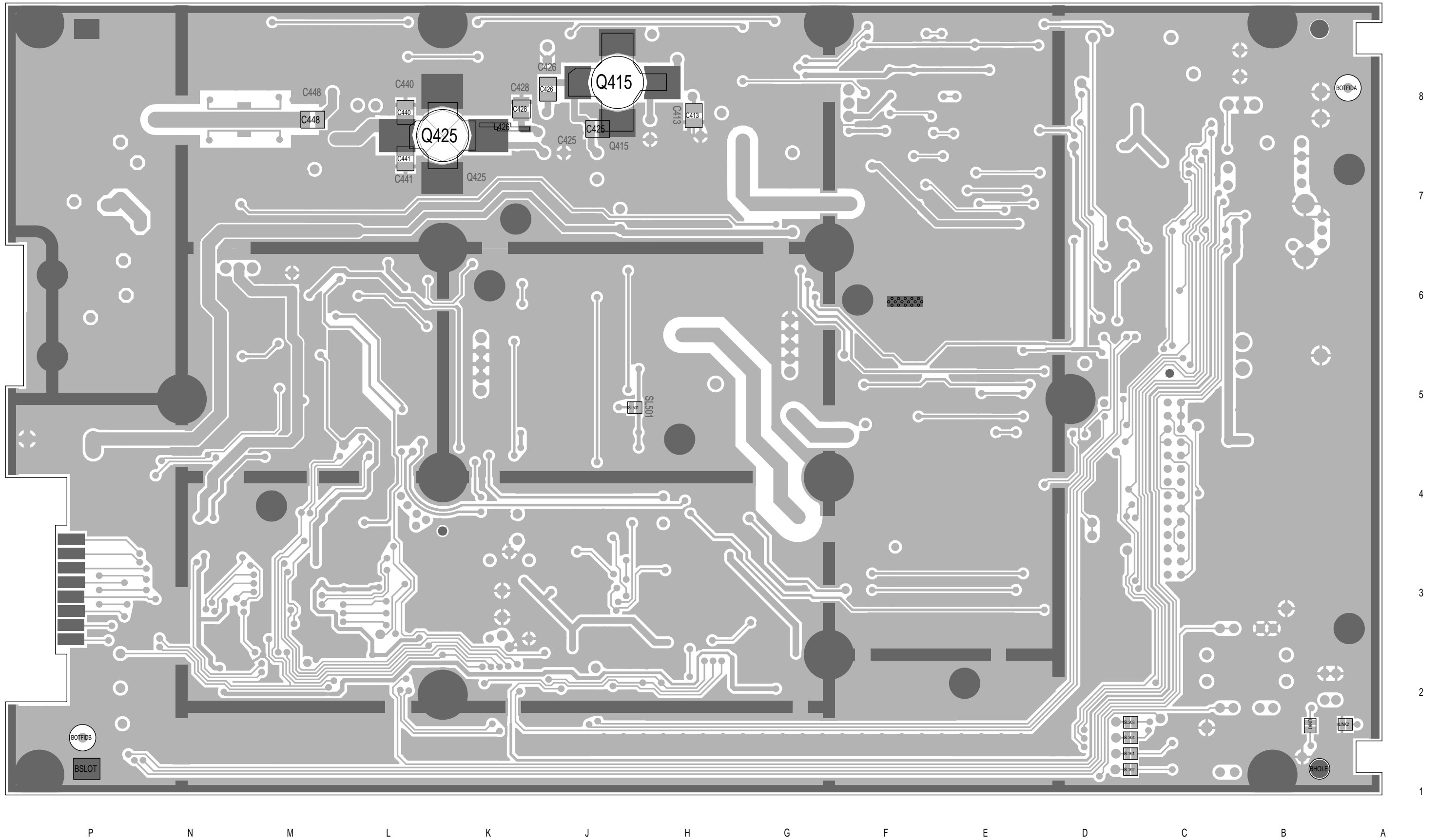
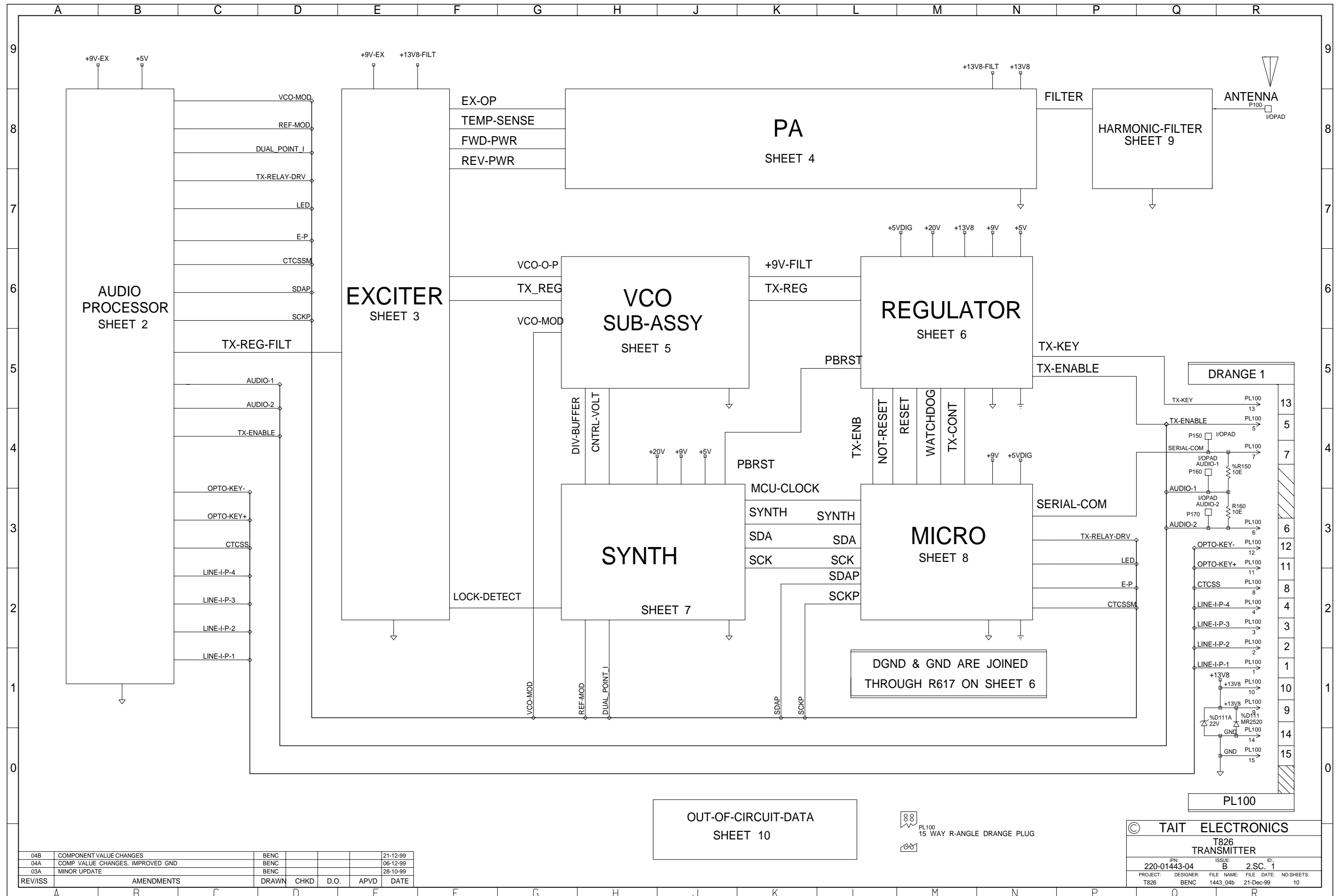


T826 PCB Layout - Top Side  
220-01443-04



T826 PCB Layout - Bottom Side  
220-01443-04

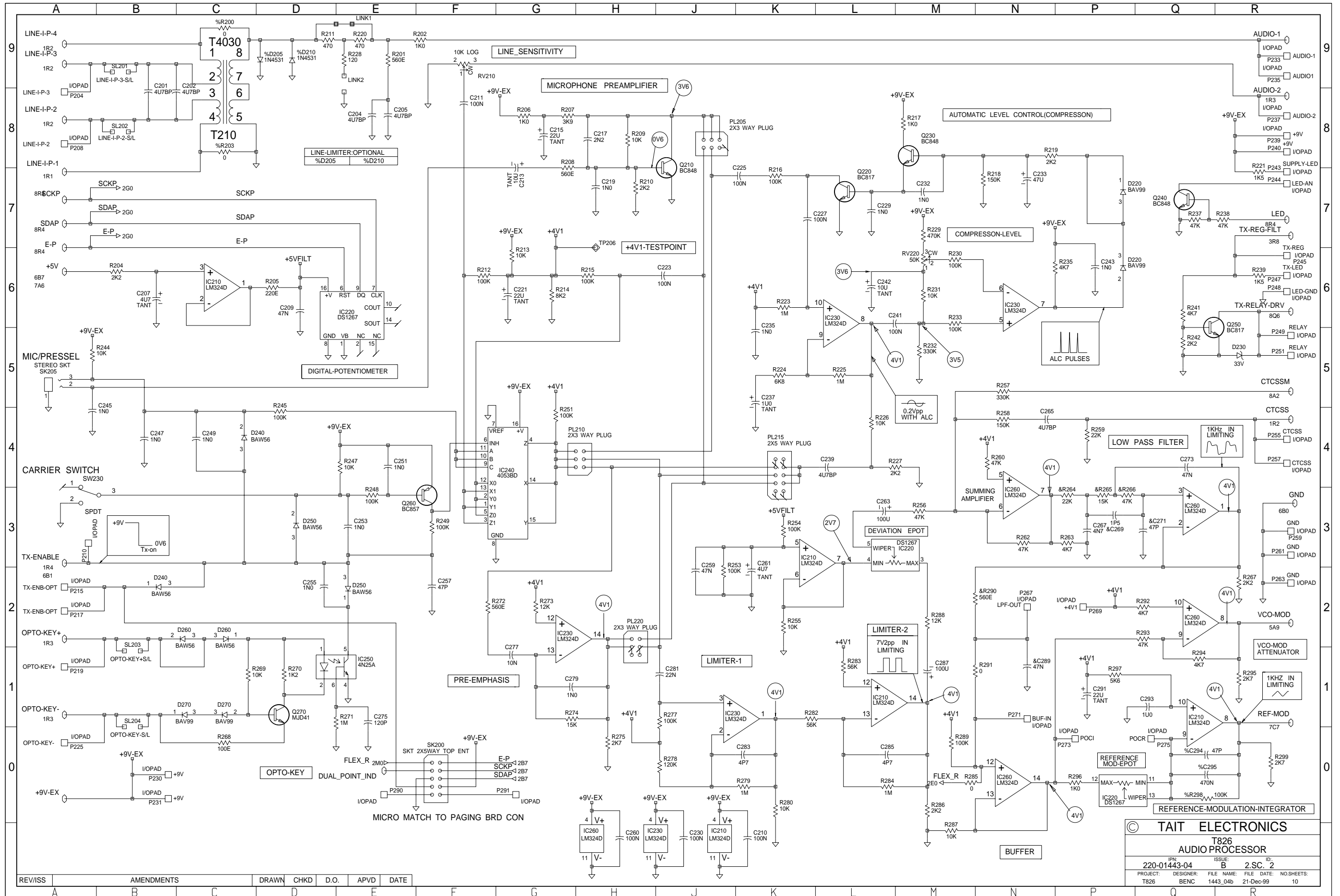


04B	COMPONENT VALUE CHANGES	BENC			21-12-99
04A	COMP VALUE CHANGES, IMPROVED GND	BENC			06-12-99
03A	MINOR UPDATE	BENC			28-10-99
REV/ISS	AMENDMENTS	DRAWN	CHKD	D.O.	APVD DATE

OUT-OF-CIRCUIT-DATA  
SHEET 10

PL100  
15 WAY R-ANGLE DRANGE PLUG

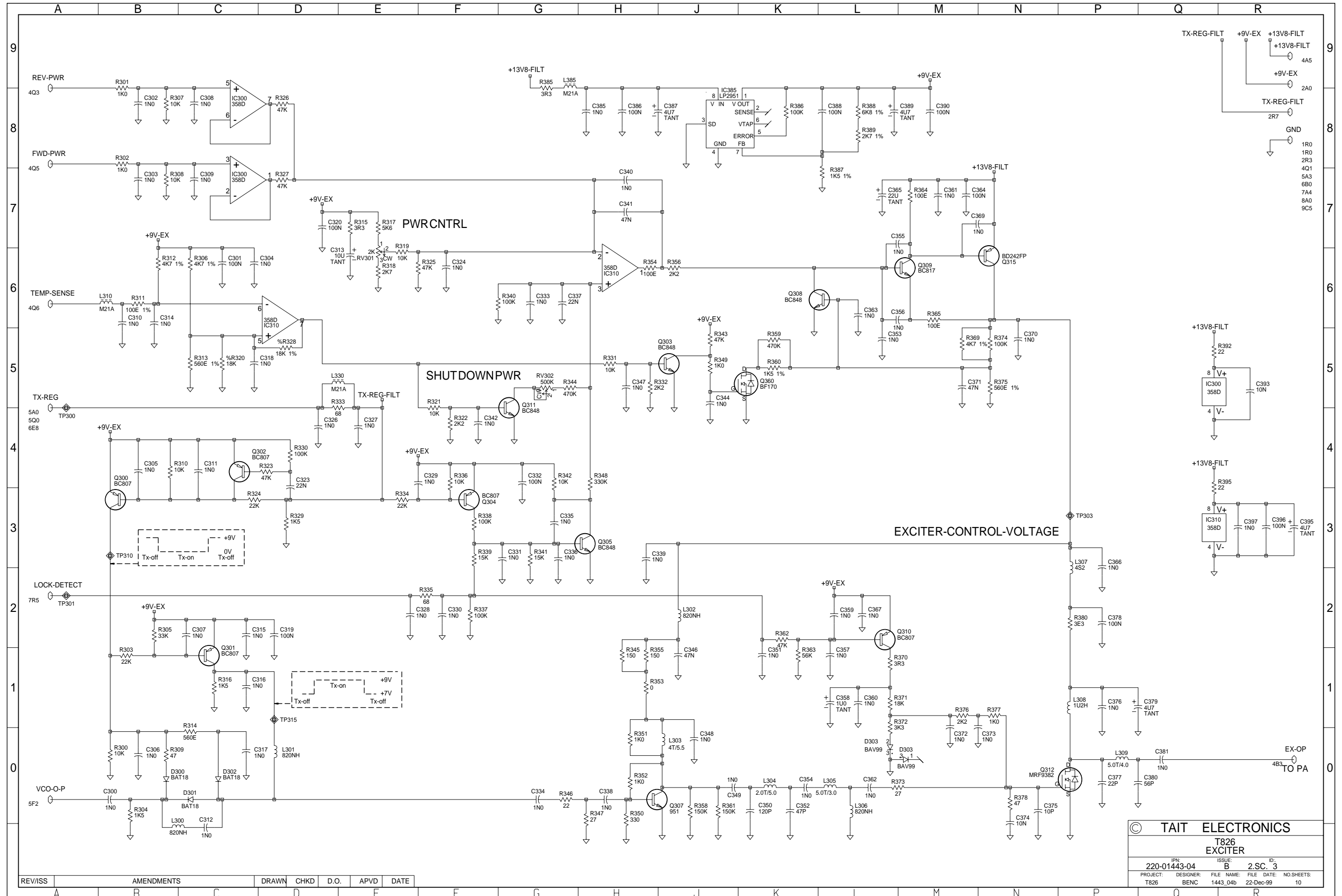
© TAIT ELECTRONICS			
T826 TRANSMITTER			
IPN: 220-01443-04	ISSUE: B	2.S.C.	ID: 1
PROJECT: T826	DESIGNER: BENC	FILE NAME: 1443_04b	FILE DATE: 21-Dec-99
		NO SHEETS:	10

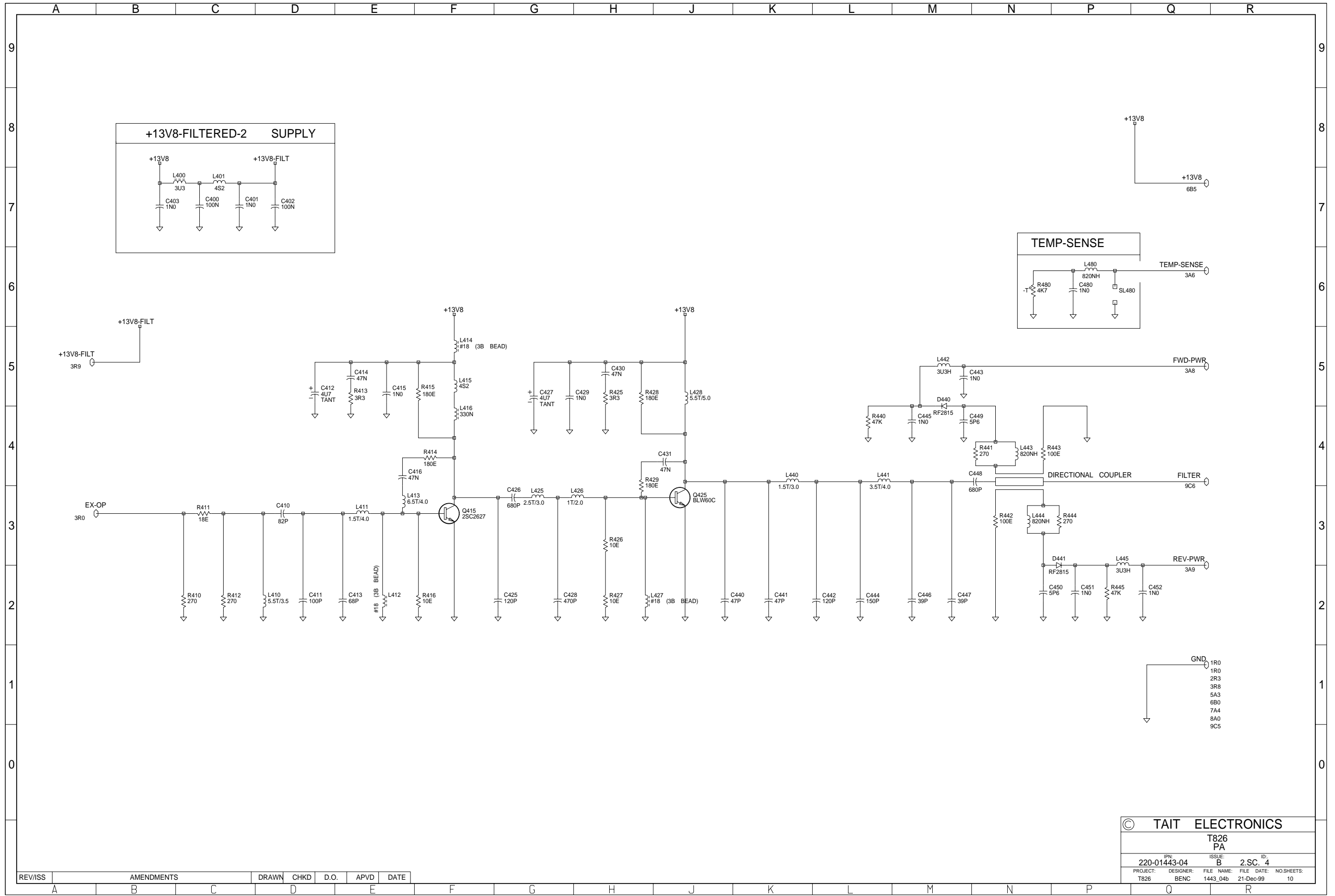


REV/ISS	AMENDMENTS	DRAWN	CHKD	D.O.	APVD	DATE
A						
B						
C						
D						
E						

© TAIT ELECTRONICS  
T826  
AUDIO PROCESSOR

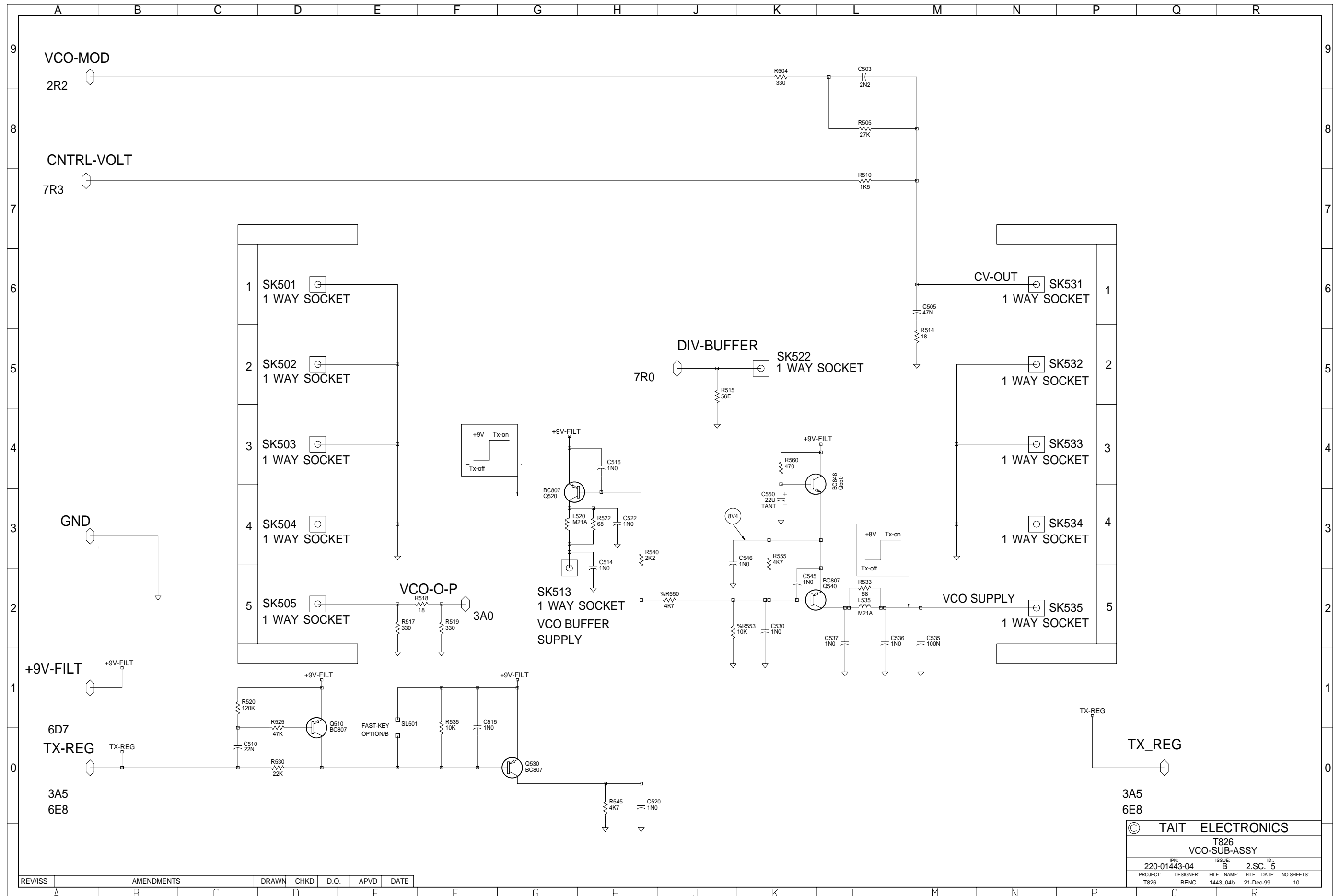
IPN: 220-01443-04	ISSUE: B	ID: 2.S.C. 2
PROJECT: T826	DESIGNER: BENC	FILE NAME: 1443_04b
		FILE DATE: 21-Dec-99
		NO.SHEETS: 10



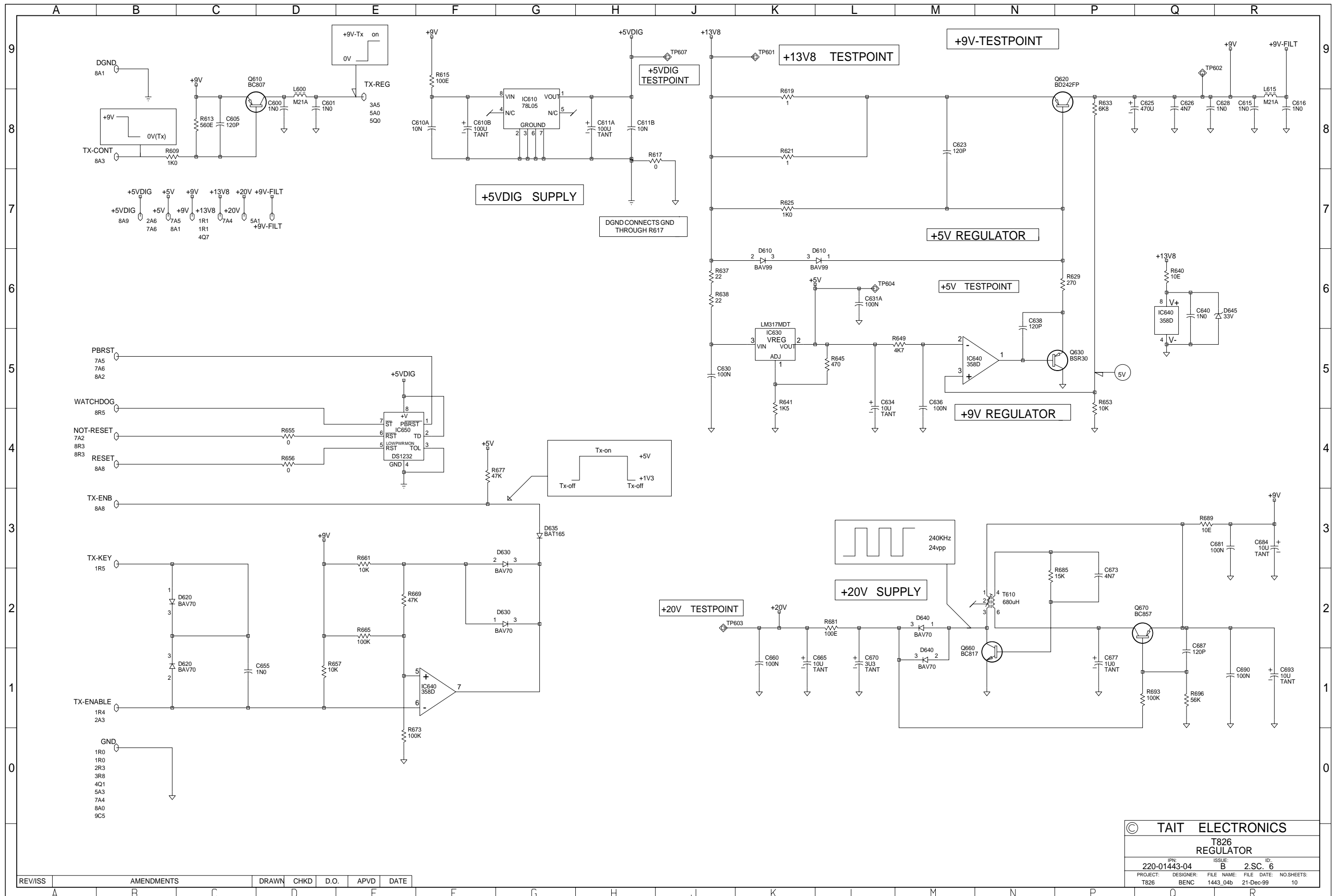


© TAIT ELECTRONICS			
T826 PA			
IPN:	ISSUE:	ID:	
220-01443-04	B	2.SC. 4	
PROJECT:	DESIGNER:	FILE NAME:	FILE DATE: NO.SHEETS:
T826	BENC	1443_04b	21-Dec-99 10

REV/ISS	AMENDMENTS	DRAWN	CHKD	D.O.	APVD	DATE
A						
B						
C						
D						
E						



© TAIT ELECTRONICS	
T826	
VCO-SUB-ASSY	
IPN: 220-01443-04	ID: 5
ISSUE: B	2.S.C. 5
PROJECT: T826	DESIGNER: BENC
FILE NAME: 1443_04b	FILE DATE: 21-Dec-99
NO SHEETS: 10	

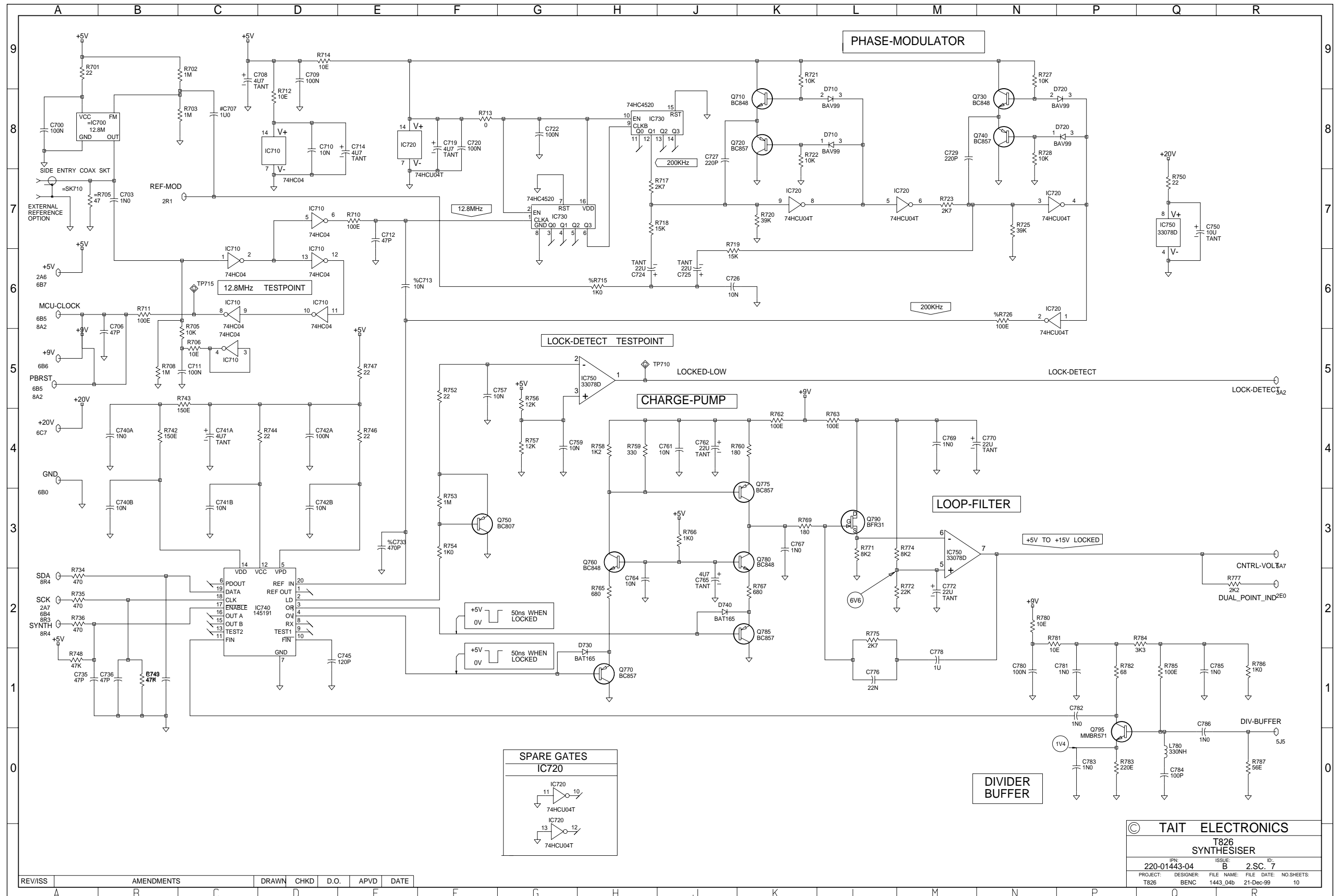


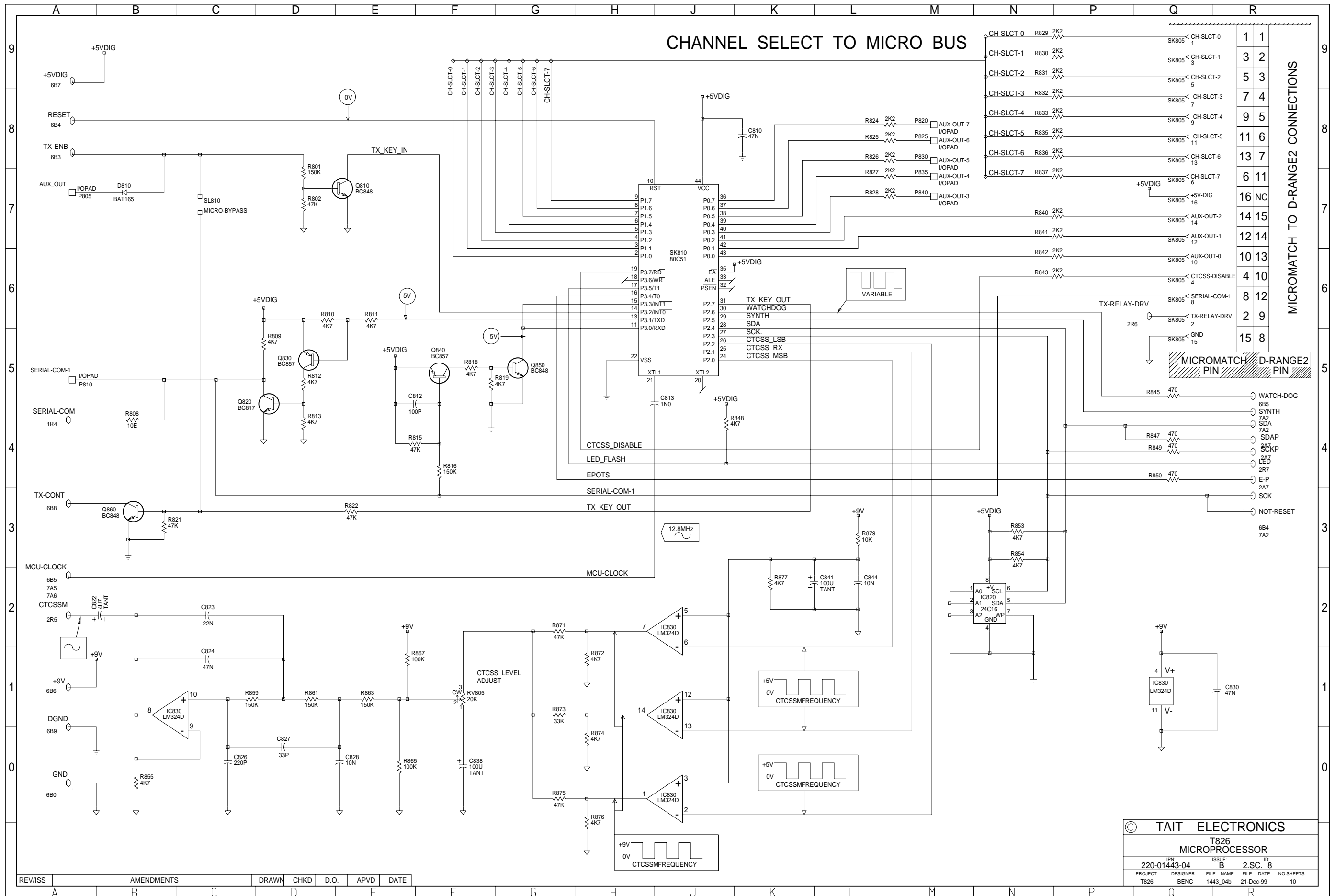
© TAIT ELECTRONICS  
T826 REGULATOR

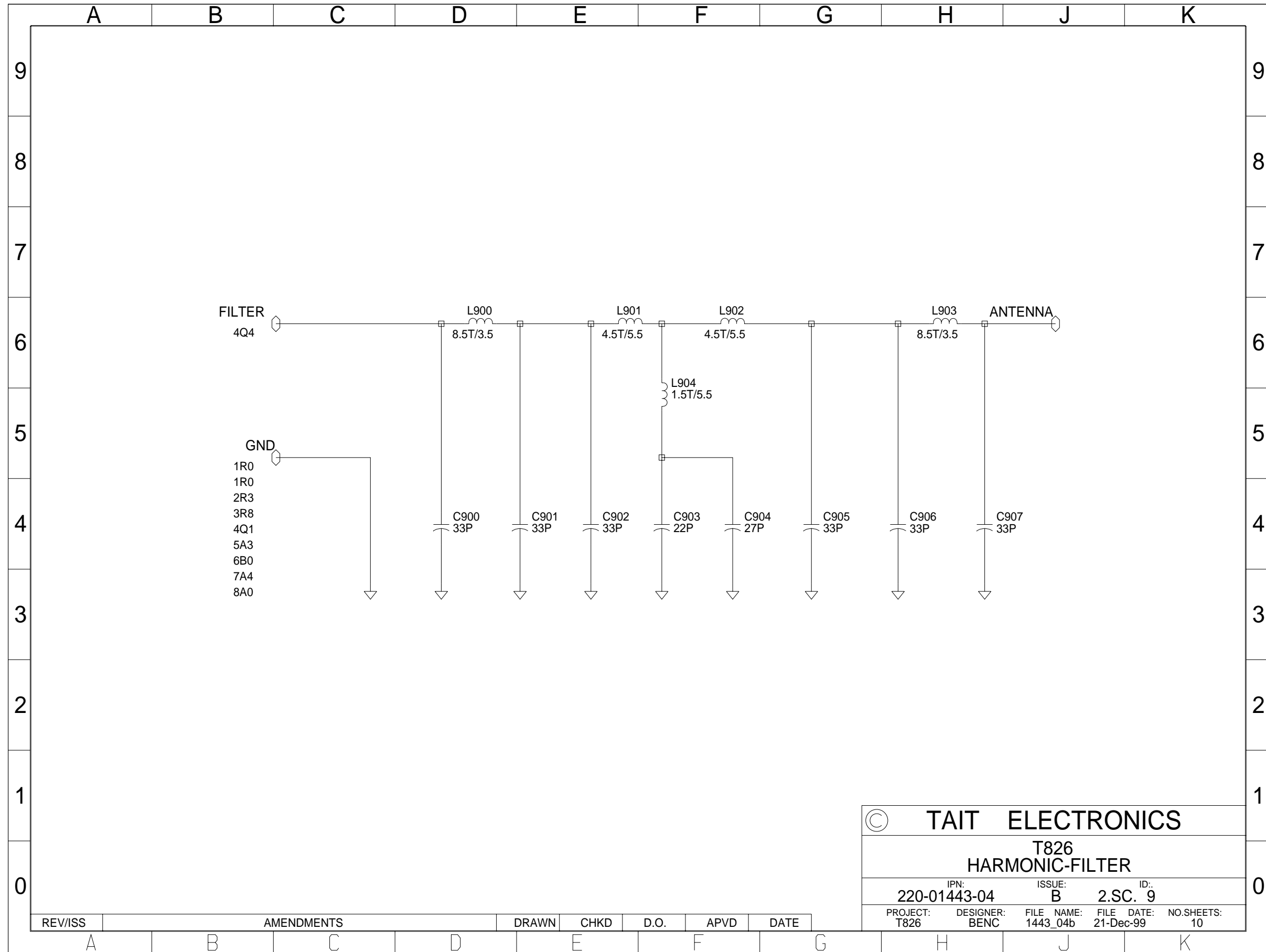
IPN: 220-01443-04	ISSUE: B	ID: 2.S.C. 6
PROJECT: T826	DESIGNER: BENC	FILE DATE: 21-Dec-99
	FILE NAME: 1443_04b	NO.SHEETS: 10

REV/ISS	AMENDMENTS	DRAWN	CHKD	D.O.	APVD	DATE
A						









© TAIT ELECTRONICS				
T826 HARMONIC-FILTER				
IPN:	ISSUE:	ID:		
220-01443-04	B	2.SC. 9		
PROJECT:	DESIGNER:	FILE NAME:	FILE DATE:	NO.SHEETS:
T826	BENC	1443_04b	21-Dec-99	10

REV/ISS	AMENDMENTS	DRAWN	CHKD	D.O.	APVD	DATE
---------	------------	-------	------	------	------	------

A B C D E F G H J K

