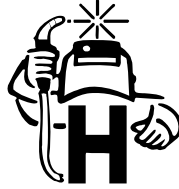


HOBART
W E L D E R S



OM-927

199 213L

2006-10

Processes



Gas Metal Arc (MIG) Welding

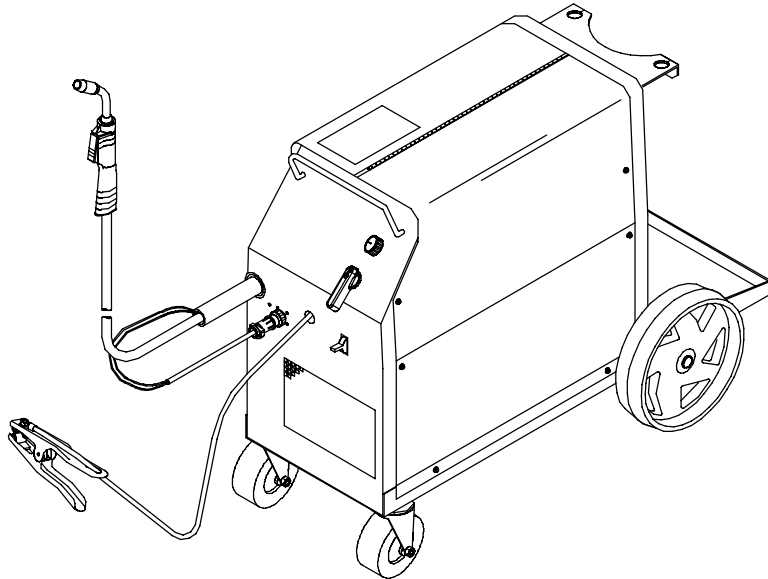
Flux Cored Arc (FCAW)
Welding

Description



Arc Welding Power Source and Wire
Feeder

IronMan™ 210 And M-10 Gun



Includes Installation Instructions For
Optional Spoolmate Spoolgun Switch

OWNER'S MANUAL

File: MIG (GMAW)



www.HobartWelders.com



From Hobart to You

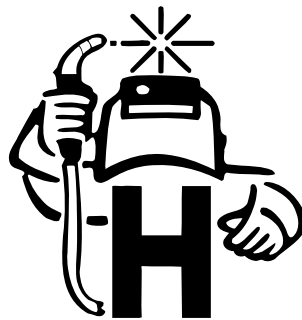
Thank you and congratulations on choosing Hobart. Now you can get the job done and get it done right. We know you don't have time to do it any other way.

This Owner's Manual is designed to help you get the most out of your Hobart products. Please take time to read the Safety precautions. They will help you protect yourself against potential hazards on the worksite.



Hobart is registered to the ISO 9001:2000 Quality System Standard.

We've made installation and operation quick and easy. With Hobart you can count on years of reliable service with proper maintenance. And if for some reason the unit needs repair, there's a Troubleshooting section that will help you figure out what the problem is. The parts list will then help you to decide the exact part you may need to fix the problem. Warranty and service information for your particular model are also provided.



Hobart Welders manufactures a full line of welders and welding related equipment. For information on other quality Hobart products, contact your local Hobart distributor to receive the latest full line catalog or individual specification sheets. **To locate your nearest distributor or service agency call 1-877-Hobart1 or visit our website at www.HobartWelders.com.**

For Technical Help call 1-800-332-3281.

5/3/1 WARRANTY

Working as hard as you do – every power source from Hobart is backed by the best warranty in the business.

Protect Your Investment!



Register your product at:
HobartWelders.com

TABLE OF CONTENTS

SECTION 1 – SAFETY PRECAUTIONS - READ BEFORE USING	1
1-1. Symbol Usage	1
1-2. Arc Welding Hazards	1
1-3. Additional Symbols For Installation, Operation, And Maintenance	3
1-4. California Proposition 65 Warnings	3
1-5. Principal Safety Standards	4
1-6. EMF Information	4
SECTION 2 – CONSIGNES DE SÉCURITÉ – LIRE AVANT UTILISATION	5
2-1. Symboles utilisés	5
2-2. Dangers relatifs au soudage à l'arc	5
2-3. Dangers supplémentaires en relation avec l'installation, le fonctionnement et la maintenance	7
2-4. Proposition californienne 65 Avertissements	7
2-5. Principales normes de sécurité	8
2-6. Information EMF	8
SECTION 3 – INTRODUCTION	9
3-1. Specifications	9
3-2. Welding Power Source Duty Cycle And Overheating	9
3-3. Welding Gun Duty Cycle And Overheating	10
3-4. Volt-Ampere Curves	10
3-5. Installing Welding Gun	11
3-6. Connecting To Weld Output Terminals	12
3-7. Installing Work Clamp Cable	12
3-8. Setting Gun Polarity For Wire Type	13
3-9. Installing Gas Supply	14
3-10. Installing Wire Spool And Adjusting Hub Tension	15
3-11. Changing Input Voltage	15
3-12. Electrical Service Guide	16
3-13. Selecting A Location And Connecting Input Power	17
3-14. Threading Welding Wire	18
3-15. Installing Optional Spoolmate Spoolgun Switch In Welding Power Source	19
3-16. Connecting Spoolgun To Welding Power Source	20
SECTION 4 – OPERATION	21
4-1. Controls	21
4-2. Weld Parameters	22
SECTION 5 – MAINTENANCE AND TROUBLESHOOTING	24
5-1. Routine Maintenance	24
5-2. Supplementary Protectors	24
5-3. Replacing Drive Roll And Wire Inlet Guide	25
5-4. Removing Knob From Front Panel	25
5-5. Replacing Gun Contact Tip	26
5-6. Cleaning Or Replacing Gun Liner	27
5-7. Replacing Switch And/Or Head Tube	28
5-8. Welding Troubleshooting Table	29
5-9. Wire Drive/Gun Troubleshooting Table	29

TABLE OF CONTENTS

SECTION 6 – MIG WELDING (GMAW) GUIDELINES	30
6-1. Typical MIG Process Connections	30
6-2. Typical MIG Process Control Settings	31
6-3. Holding And Positioning Welding Gun	32
6-4. Conditions That Affect Weld Bead Shape	33
6-5. Gun Movement During Welding	34
6-6. Poor Weld Bead Characteristics	34
6-7. Good Weld Bead Characteristics	34
6-8. Troubleshooting – Excessive Spatter	35
6-9. Troubleshooting – Porosity	35
6-10. Troubleshooting – Excessive Penetration	35
6-11. Troubleshooting – Lack Of Penetration	36
6-12. Troubleshooting – Incomplete Fusion	36
6-13. Troubleshooting – Burn-Through	36
6-14. Troubleshooting – Waviness Of Bead	37
6-15. Troubleshooting – Distortion	37
6-16. Common MIG Shielding Gases	38
6-17. Troubleshooting Guide For Semiautomatic Welding Equipment	38
SECTION 7 – ELECTRICAL DIAGRAM	41
SECTION 8 – PARTS LIST	42
WARRANTY	

SECTION 1 – SAFETY PRECAUTIONS - READ BEFORE USING

som _3/05

▲ **Warning: Protect yourself and others from injury — read and follow these precautions.**

1-1. Symbol Usage



Means Warning! Watch Out! There are possible hazards with this procedure! The possible hazards are shown in the adjoining symbols.

▲ **Marks a special safety message.**

☞ Means "Note"; not safety related.



This group of symbols means Warning! Watch Out! possible ELECTRIC SHOCK, MOVING PARTS, and HOT PARTS hazards. Consult symbols and related instructions below for necessary actions to avoid the hazards.

1-2. Arc Welding Hazards

▲ **The symbols shown below are used throughout this manual to call attention to and identify possible hazards. When you see the symbol, watch out, and follow the related instructions to avoid the hazard. The safety information given below is only a summary of the more complete safety information found in the Safety Standards listed in Section 1-5. Read and follow all Safety Standards.**

▲ **Only qualified persons should install, operate, maintain, and repair this unit.**

▲ **During operation, keep everybody, especially children, away.**



ELECTRIC SHOCK can kill.

Touching live electrical parts can cause fatal shocks or severe burns. The electrode and work circuit is electrically live whenever the output is on. The input power circuit and machine internal circuits are also

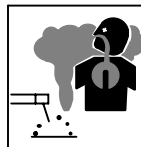
live when power is on. In semiautomatic or automatic wire welding, the wire, wire reel, drive roll housing, and all metal parts touching the welding wire are electrically live. Incorrectly installed or improperly grounded equipment is a hazard.

- Do not touch live electrical parts.
- Wear dry, hole-free insulating gloves and body protection.
- Insulate yourself from work and ground using dry insulating mats or covers big enough to prevent any physical contact with the work or ground.
- Do not use AC output in damp areas, if movement is confined, or if there is a danger of falling.
- Use AC output ONLY if required for the welding process.
- If AC output is required, use remote output control if present on unit.
- Additional safety precautions are required when any of the following electrically hazardous conditions are present: in damp locations or while wearing wet clothing; on metal structures such as floors, gratings, or scaffolds; when in cramped positions such as sitting, kneeling, or lying; or when there is a high risk of unavoidable or accidental contact with the workpiece or ground. For these conditions, use the following equipment in order presented: 1) a semiautomatic DC constant voltage (wire) welder, 2) a DC manual (stick) welder, or 3) an AC welder with reduced open-circuit voltage. In most situations, use of a DC, constant voltage wire welder is recommended. And, do not work alone!
- Disconnect input power or stop engine before installing or servicing this equipment. Lockout/tagout input power according to OSHA 29 CFR 1910.147 (see Safety Standards).
- Properly install and ground this equipment according to its Owner's Manual and national, state, and local codes.
- Always verify the supply ground – check and be sure that input power cord ground wire is properly connected to ground terminal in disconnect box or that cord plug is connected to a properly grounded receptacle outlet.
- When making input connections, attach proper grounding conductor first – double-check connections.
- Frequently inspect input power cord for damage or bare wiring – replace cord immediately if damaged – bare wiring can kill.

- Turn off all equipment when not in use.
- Do not use worn, damaged, undersized, or poorly spliced cables.
- Do not drape cables over your body.
- If earth grounding of the workpiece is required, ground it directly with a separate cable.
- Do not touch electrode if you are in contact with the work, ground, or another electrode from a different machine.
- Do not touch electrode holders connected to two welding machines at the same time since double open-circuit voltage will be present.
- Use only well-maintained equipment. Repair or replace damaged parts at once. Maintain unit according to manual.
- Wear a safety harness if working above floor level.
- Keep all panels and covers securely in place.
- Clamp work cable with good metal-to-metal contact to workpiece or worktable as near the weld as practical.
- Insulate work clamp when not connected to workpiece to prevent contact with any metal object.
- Do not connect more than one electrode or work cable to any single weld output terminal.

SIGNIFICANT DC VOLTAGE exists in inverter-type welding power sources after removal of input power.

- Turn Off inverter, disconnect input power, and discharge input capacitors according to instructions in Maintenance Section before touching any parts.



FUMES AND GASES can be hazardous.

Welding produces fumes and gases. Breathing these fumes and gases can be hazardous to your health.

- Keep your head out of the fumes. Do not breathe the fumes.
- If inside, ventilate the area and/or use local forced ventilation at the arc to remove welding fumes and gases.
- If ventilation is poor, wear an approved air-supplied respirator.
- Read and understand the Material Safety Data Sheets (MSDSs) and the manufacturer's instructions for metals, consumables, coatings, cleaners, and degreasers.
- Work in a confined space only if it is well ventilated, or while wearing an air-supplied respirator. Always have a trained watch-person nearby. Welding fumes and gases can displace air and lower the oxygen level causing injury or death. Be sure the breathing air is safe.
- Do not weld in locations near degreasing, cleaning, or spraying operations. The heat and rays of the arc can react with vapors to form highly toxic and irritating gases.
- Do not weld on coated metals, such as galvanized, lead, or cadmium plated steel, unless the coating is removed from the weld area, the area is well ventilated, and while wearing an air-supplied respirator. The coatings and any metals containing these elements can give off toxic fumes if welded.



ARC RAYS can burn eyes and skin.

Arc rays from the welding process produce intense visible and invisible (ultraviolet and infrared) rays that can burn eyes and skin. Sparks fly off from the weld.

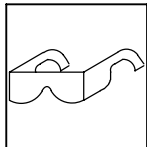
- Wear an approved welding helmet fitted with a proper shade of filter lenses to protect your face and eyes when welding or watching (see ANSI Z49.1 and Z87.1 listed in Safety Standards).
- Wear approved safety glasses with side shields under your helmet.
- Use protective screens or barriers to protect others from flash, glare and sparks; warn others not to watch the arc.
- Wear protective clothing made from durable, flame-resistant material (leather, heavy cotton, or wool) and foot protection.



WELDING can cause fire or explosion.

Welding on closed containers, such as tanks, drums, or pipes, can cause them to blow up. Sparks can fly off from the welding arc. The flying sparks, hot workpiece, and hot equipment can cause fires and burns. Accidental contact of electrode to metal objects can cause sparks, explosion, overheating, or fire. Check and be sure the area is safe before doing any welding.

- Remove all flammables within 35 ft (10.7 m) of the welding arc. If this is not possible, tightly cover them with approved covers.
- Do not weld where flying sparks can strike flammable material.
- Protect yourself and others from flying sparks and hot metal.
- Be alert that welding sparks and hot materials from welding can easily go through small cracks and openings to adjacent areas.
- Watch for fire, and keep a fire extinguisher nearby.
- Be aware that welding on a ceiling, floor, bulkhead, or partition can cause fire on the hidden side.
- Do not weld on closed containers such as tanks, drums, or pipes, unless they are properly prepared according to AWS F4.1 (see Safety Standards).
- Connect work cable to the work as close to the welding area as practical to prevent welding current from traveling long, possibly unknown paths and causing electric shock, sparks, and fire hazards.
- Do not use welder to thaw frozen pipes.
- Remove stick electrode from holder or cut off welding wire at contact tip when not in use.
- Wear oil-free protective garments such as leather gloves, heavy shirt, cuffless trousers, high shoes, and a cap.
- Remove any combustibles, such as a butane lighter or matches, from your person before doing any welding.
- Follow requirements in OSHA 1910.252 (a) (2) (iv) and NFPA 51B for hot work and have a fire watcher and extinguisher nearby.



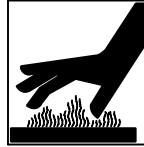
FLYING METAL can injure eyes.

- Welding, chipping, wire brushing, and grinding cause sparks and flying metal. As welds cool, they can throw off slag.
- Wear approved safety glasses with side shields even under your welding helmet.



BUILDUP OF GAS can injure or kill.

- Shut off shielding gas supply when not in use.
- Always ventilate confined spaces or use approved air-supplied respirator.



HOT PARTS can cause severe burns.

- Do not touch hot parts bare handed.
- Allow cooling period before working on gun or torch.
- To handle hot parts, use proper tools and/or wear heavy, insulated welding gloves and clothing to prevent burns.



MAGNETIC FIELDS can affect pacemakers.

- Pacemaker wearers keep away.
- Wearers should consult their doctor before going near arc welding, gouging, or spot welding operations.



NOISE can damage hearing.

Noise from some processes or equipment can damage hearing.

- Wear approved ear protection if noise level is high.



CYLINDERS can explode if damaged.

Shielding gas cylinders contain gas under high pressure. If damaged, a cylinder can explode. Since gas cylinders are normally part of the welding process, be sure to treat them carefully.

- Protect compressed gas cylinders from excessive heat, mechanical shocks, physical damage, slag, open flames, sparks, and arcs.
- Install cylinders in an upright position by securing to a stationary support or cylinder rack to prevent falling or tipping.
- Keep cylinders away from any welding or other electrical circuits.
- Never drape a welding torch over a gas cylinder.
- Never allow a welding electrode to touch any cylinder.
- Never weld on a pressurized cylinder – explosion will result.
- Use only correct shielding gas cylinders, regulators, hoses, and fittings designed for the specific application; maintain them and associated parts in good condition.
- Turn face away from valve outlet when opening cylinder valve.
- Keep protective cap in place over valve except when cylinder is in use or connected for use.
- Use the right equipment, correct procedures, and sufficient number of persons to lift and move cylinders.
- Read and follow instructions on compressed gas cylinders, associated equipment, and Compressed Gas Association (CGA) publication P-1 listed in Safety Standards.

1-3. Additional Symbols For Installation, Operation, And Maintenance



FIRE OR EXPLOSION hazard.

- Do not install or place unit on, over, or near combustible surfaces.
- Do not install unit near flammables.
- Do not overload building wiring – be sure power supply system is properly sized, rated, and protected to handle this unit.



FALLING UNIT can cause injury.

- Use lifting eye to lift unit only, NOT running gear, gas cylinders, or any other accessories.
- Use equipment of adequate capacity to lift and support unit.
- If using lift forks to move unit, be sure forks are long enough to extend beyond opposite side of unit.



OVERUSE can cause OVERHEATING

- Allow cooling period; follow rated duty cycle.
- Reduce current or reduce duty cycle before starting to weld again.
- Do not block or filter airflow to unit.



STATIC (ESD) can damage PC boards.

- Put on grounded wrist strap BEFORE handling boards or parts.
- Use proper static-proof bags and boxes to store, move, or ship PC boards.



MOVING PARTS can cause injury.

- Keep away from moving parts.
- Keep away from pinch points such as drive rolls.



WELDING WIRE can cause injury.

- Do not press gun trigger until instructed to do so.
- Do not point gun toward any part of the body, other people, or any metal when threading welding wire.



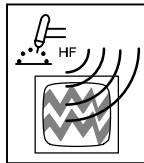
MOVING PARTS can cause injury.

- Keep away from moving parts such as fans.
- Keep all doors, panels, covers, and guards closed and securely in place.
- Have only qualified persons remove doors, panels, covers, or guards for maintenance as necessary.
- Reinstall doors, panels, covers, or guards when maintenance is finished and before re-connecting input power.



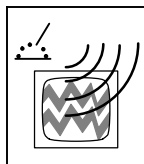
READ INSTRUCTIONS.

- Read Owner's Manual before using or servicing unit.
- Use only genuine Miller/Hobart replacement parts.



H.F. RADIATION can cause interference.

- High-frequency (H.F.) can interfere with radio navigation, safety services, computers, and communications equipment.
- Have only qualified persons familiar with electronic equipment perform this installation.
- The user is responsible for having a qualified electrician promptly correct any interference problem resulting from the installation.
- If notified by the FCC about interference, stop using the equipment at once.
- Have the installation regularly checked and maintained.
- Keep high-frequency source doors and panels tightly shut, keep spark gaps at correct setting, and use grounding and shielding to minimize the possibility of interference.



ARC WELDING can cause interference.

- Electromagnetic energy can interfere with sensitive electronic equipment such as computers and computer-driven equipment such as robots.
- Be sure all equipment in the welding area is electromagnetically compatible.
- To reduce possible interference, keep weld cables as short as possible, close together, and down low, such as on the floor.
- Locate welding operation 100 meters from any sensitive electronic equipment.
- Be sure this welding machine is installed and grounded according to this manual.
- If interference still occurs, the user must take extra measures such as moving the welding machine, using shielded cables, using line filters, or shielding the work area.

1-4. California Proposition 65 Warnings

- ▲ Welding or cutting equipment produces fumes or gases which contain chemicals known to the State of California to cause birth defects and, in some cases, cancer. (California Health & Safety Code Section 25249.5 et seq.)
- ▲ Battery posts, terminals and related accessories contain lead and lead compounds, chemicals known to the State of California to cause cancer and birth defects or other reproductive harm. Wash hands after handling.

For Gasoline Engines:

- ▲ Engine exhaust contains chemicals known to the State of California to cause cancer, birth defects, or other reproductive harm.

For Diesel Engines:

- ▲ Diesel engine exhaust and some of its constituents are known to the State of California to cause cancer, birth defects, and other reproductive harm.

1-5. Principal Safety Standards

Safety in Welding, Cutting, and Allied Processes, ANSI Standard Z49.1, from Global Engineering Documents (phone: 1-877-413-5184, website: www.global.ihs.com).

Recommended Safe Practices for the Preparation for Welding and Cutting of Containers and Piping, American Welding Society Standard AWS F4.1 from Global Engineering Documents (phone: 1-877-413-5184, website: www.global.ihs.com).

National Electrical Code, NFPA Standard 70, from National Fire Protection Association, P.O. Box 9101, 1 Battery March Park, Quincy, MA 02269-9101 (phone: 617-770-3000, website: www.nfpa.org).

Safe Handling of Compressed Gases in Cylinders, CGA Pamphlet P-1, from Compressed Gas Association, 1735 Jefferson Davis Highway, Suite 1004, Arlington, VA 22202-4102 (phone: 703-412-0900, website: www.cganet.com).

Code for Safety in Welding and Cutting, CSA Standard W117.2, from Canadian Standards Association, Standards Sales, 178 Rexdale

Boulevard, Rexdale, Ontario, Canada M9W 1R3 (phone: 800-463-6727 or in Toronto 416-747-4044, website: www.csa-international.org).

Practice For Occupational And Educational Eye And Face Protection, ANSI Standard Z87.1, from American National Standards Institute, 11 West 42nd Street, New York, NY 10036-8002 (phone: 212-642-4900, website: www.ansi.org).

Standard for Fire Prevention During Welding, Cutting, and Other Hot Work, NFPA Standard 51B, from National Fire Protection Association, P.O. Box 9101, 1 Battery March Park, Quincy, MA 02269-9101 (phone: 617-770-3000, website: www.nfpa.org).

OSHA, Occupational Safety and Health Standards for General Industry, Title 29, Code of Federal Regulations (CFR), Part 1910, Subpart Q, and Part 1926, Subpart J, from U.S. Government Printing Office, Superintendent of Documents, P.O. Box 371954, Pittsburgh, PA 15250 (there are 10 Regional Offices--phone for Region 5, Chicago, is 312-353-2220, website: www.osha.gov).

1-6. EMF Information

Considerations About Welding And The Effects Of Low Frequency Electric And Magnetic Fields

Welding current, as it flows through welding cables, will cause electromagnetic fields. There has been and still is some concern about such fields. However, after examining more than 500 studies spanning 17 years of research, a special blue ribbon committee of the National Research Council concluded that: "The body of evidence, in the committee's judgment, has not demonstrated that exposure to power-frequency electric and magnetic fields is a human-health hazard." However, studies are still going forth and evidence continues to be examined. Until the final conclusions of the research are reached, you may wish to minimize your exposure to electromagnetic fields when welding or cutting.

To reduce magnetic fields in the workplace, use the following procedures:

1. Keep cables close together by twisting or taping them.
2. Arrange cables to one side and away from the operator.
3. Do not coil or drape cables around your body.
4. Keep welding power source and cables as far away from operator as practical.
5. Connect work clamp to workpiece as close to the weld as possible.

About Pacemakers:

Pacemaker wearers consult your doctor before welding or going near welding operations. If cleared by your doctor, then following the above procedures is recommended.

SECTION 2 – CONSIGNES DE SÉCURITÉ – LIRE AVANT UTILISATION

fre_som _3/05

▲ **Avertissement : se protéger et protéger les autres contre le risque de blessure — lire et respecter ces consignes.**

2-1. Symboles utilisés



Symbole graphique d'avertissement ! Attention ! Cette procédure comporte des risques possibles ! Les dangers éventuels sont représentés par les symboles graphiques joints.



Ce groupe de symboles signifie Avertissement ! Attention ! Risques d'ÉLECTROCUTION, ORGANES MOBILES et PARTIES CHAUDES. Consulter les symboles et les instructions afférentes ci-dessous concernant les mesures à prendre pour supprimer les dangers.

▲ Indique un message de sécurité particulier

☞ Signifie NOTE ; n'est pas relatif à la sécurité.

2-2. Dangers relatifs au soudage à l'arc

▲ **Les symboles représentés ci-dessous sont utilisés dans ce manuel pour attirer l'attention et identifier les dangers possibles. En présence de l'un de ces symboles, prendre garde et suivre les instructions afférentes pour éviter tout risque. Les instructions en matière de sécurité indiquées ci-dessous ne constituent qu'un sommaire des instructions de sécurité plus complètes fournies dans les normes de sécurité énumérées dans la Section 2-5. Lire et observer toutes les normes de sécurité.**

▲ **Seul un personnel qualifié est autorisé à installer, faire fonctionner, entretenir et réparer cet appareil.**

▲ **Pendant le fonctionnement, maintenir à distance toutes les personnes, notamment les enfants de l'appareil.**



UNE DÉCHARGE ÉLECTRIQUE peut entraîner la mort.

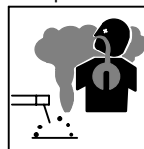
Le contact d'organes électriques sous tension peut provoquer des accidents mortels ou des brûlures graves. Le circuit de l'électrode et de la pièce est sous tension lorsque le courant est délivré à la sortie. Le circuit d'alimentation et les circuits internes de la machine sont également sous tension lorsque l'alimentation est sur Marche. Dans le mode de soudage avec du fil, le fil, le dérouleur, le bloc de commande du rouleau et toutes les parties métalliques en contact avec le fil sont sous tension électrique. Un équipement installé ou mis à la terre de manière incorrecte ou impropre constitue un danger.

- Ne pas toucher aux pièces électriques sous tension.
- Porter des gants isolants et des vêtements de protection secs et sans trous.
- S'isoler de la pièce à couper et du sol en utilisant des housses ou des tapis assez grands afin d'éviter tout contact physique avec la pièce à couper ou le sol.
- Ne pas se servir de source électrique à courant électrique dans les zones humides, dans les endroits confinés ou là où on risque de tomber.
- Se servir d'une source électrique à courant électrique UNIQUEMENT si le procédé de soudage le demande.
- Si l'utilisation d'une source électrique à courant électrique s'avère nécessaire, se servir de la fonction de télécommande si l'appareil en est équipé.
- D'autres consignes de sécurité sont nécessaires dans les conditions suivantes : risques électriques dans un environnement humide ou si l'on porte des vêtements mouillés ; sur des structures métalliques telles que sols, grilles ou échafaudages ; en position coincée comme assise, à genoux ou couchée ; ou s'il y a un risque élevé de contact inévitable ou accidentel avec la pièce à souder ou le sol. Dans ces conditions, utiliser les équipements suivants, dans l'ordre indiqué : 1) un poste à souder DC à tension constante (à fil), 2) un poste à souder DC manuel (électrode) ou 3) un poste à souder AC à tension à vide réduite. Dans la plupart des situations, l'utilisation d'un poste à souder DC à fil à tension constante est recommandée. En outre, ne pas travailler seul !
- Couper l'alimentation ou arrêter le moteur avant de procéder à l'installation, à la réparation ou à l'entretien de l'appareil. Déverrouiller l'alimentation selon la norme OSHA 29 CFR 1910.147 (voir normes de sécurité).
- Installer le poste correctement et le mettre à la terre convenablement selon les consignes du manuel de l'opérateur et les normes nationales, provinciales et locales.
- Toujours vérifier la terre du cordon d'alimentation. Vérifier et s'assurer que le fil de terre du cordon d'alimentation est bien raccordé à la borne de terre du sectionneur ou que la fiche du cordon est raccordée à une prise correctement mise à la terre.
- En effectuant les raccordements d'entrée, fixer d'abord le conducteur de mise à la terre approprié et contre-vérifier les connexions.

- Vérifier fréquemment le cordon d'alimentation afin de s'assurer qu'il n'est pas altéré ou à nu, le remplacer immédiatement s'il l'est. Un fil à nu peut entraîner la mort.
- L'équipement doit être hors tension lorsqu'il n'est pas utilisé.
- Ne pas utiliser des câbles usés, endommagés, de grosseur insuffisante ou mal épluchés.
- Ne pas enrouler les câbles autour du corps.
- Si la pièce soudée doit être mise à la terre, le faire directement avec un câble distinct.
- Ne pas toucher l'électrode quand on est en contact avec la pièce, la terre ou une électrode provenant d'une autre machine.
- Ne pas toucher des porte électrodes connectés à deux machines en même temps à cause de la présence d'une tension à vide doublée.
- N'utiliser qu'un matériel en bon état. Réparer ou remplacer sur-le-champ les pièces endommagées. Entretenir l'appareil conformément à ce manuel.
- Porter un harnais de sécurité si l'on doit travailler au-dessus du sol.
- S'assurer que tous les panneaux et couvercles sont correctement en place.
- Fixer le câble de retour de façon à obtenir un bon contact métal-métal avec la pièce à souder ou la table de travail, le plus près possible de la soudure.
- Isoler la pince de masse quand pas mis à la pièce pour éviter le contact avec tout objet métallique.
- Ne pas raccorder plus d'une électrode ou plus d'un câble de masse à une même borne de sortie de soudage.

Il reste une TENSION DC NON NÉGLIGEABLE dans les sources de soudage onduleur quand on a coupé l'alimentation.

- Arrêter les convertisseurs, débrancher le courant électrique et décharger les condensateurs d'alimentation selon les instructions indiquées dans la partie Entretien avant de toucher les pièces.



LES FUMÉES ET LES GAZ peuvent être dangereux.

Le soudage génère des fumées et des gaz. Leur inhalation peut être dangereuse pour la santé.

- Ne pas mettre sa tête au-dessus des vapeurs. Ne pas respirer ces vapeurs.
- À l'intérieur, ventiler la zone et/ou utiliser une ventilation forcée au niveau de l'arc pour l'évacuation des fumées et des gaz de soudage.
- Si la ventilation est médiocre, porter un respirateur anti-vapeurs approuvé.
- Lire et comprendre les spécifications de sécurité des matériaux (MSDS) et les instructions du fabricant concernant les métaux, les consommables, les revêtements, les nettoyeurs et les dégraisseurs.
- Travailler dans un espace fermé seulement s'il est bien ventilé ou en portant un respirateur à alimentation d'air. Demander toujours à un surveillant dûment formé de se tenir à proximité. Des fumées et des gaz de soudage peuvent déplacer l'air et abaisser le niveau d'oxygène provoquant des blessures ou des accidents mortels. S'assurer que l'air de respiration ne présente aucun danger.
- Ne pas souder dans des endroits situés à proximité d'opérations de dégraissage, de nettoyage ou de pulvérisation. La chaleur et les rayons de l'arc peuvent réagir en présence de vapeurs et former des gaz hautement toxiques et irritants.
- Ne pas souder des métaux munis d'un revêtement, tels que l'acier galvanisé, plaqué en plomb ou au cadmium à moins que le revêtement n'ait été enlevé dans la zone de soudure, que l'endroit soit bien ventilé et en portant un respirateur à alimentation d'air. Les revêtements et tous les métaux renfermant ces éléments peuvent dégager des fumées toxiques en cas de soudage.



LES RAYONS D'ARC peuvent entraîner des brûlures aux yeux et à la peau.

Le rayonnement de l'arc du procédé de soudage génère des rayons visibles et invisibles intenses (ultraviolets et infrarouges) susceptibles de provoquer des brûlures dans les yeux et sur la peau.

Des étincelles sont projetées pendant le soudage.

- Porter un casque de soudage approuvé muni de verres filtrants appropriés pour protéger visage et yeux pendant le soudage (voir ANSI Z49.1 et Z87.1 énumérés dans les normes de sécurité).
- Porter des lunettes de sécurité avec écrans latéraux même sous votre casque.
- Avoir recours à des écrans protecteurs ou à des rideaux pour protéger les autres contre les rayonnements les éblouissements et les étincelles ; prévenir toute personne sur les lieux de ne pas regarder l'arc.
- Porter des vêtements confectionnés avec des matières résistantes et ignifuges (cuir, coton lourd ou laine) et des bottes de protection.



LE SOUDAGE peut provoquer un incendie ou une explosion.

Le soudage effectué sur des conteneurs fermés tels que des réservoirs, tambours ou des conduites peut provoquer leur éclatement. Des étincelles peuvent être projetées de l'arc de soudure. La projection d'étincelles, des pièces chaudes et des équipements chauds peuvent provoquer des incendies et des brûlures. Le contact accidentel de l'électrode avec des objets métalliques peut provoquer des étincelles, une explosion, une surchauffe ou un incendie. Avant de commencer le soudage, vérifier et s'assurer que l'endroit ne présente pas de danger.

- Déplacer toutes les substances inflammables à une distance de 10,7 m de l'arc de soudage. En cas d'impossibilité, les recouvrir soigneusement avec des protections homologuées.
- Ne pas souder dans un endroit où des étincelles peuvent tomber sur des substances inflammables.
- Se protéger, ainsi que toute autre personne travaillant sur les lieux, contre les étincelles et le métal chaud.
- Des étincelles et des matériaux chauds du soudage peuvent facilement passer dans d'autres zones en traversant de petites fissures et des ouvertures.
- Afin d'éliminer tout risque de feu, être vigilant et garder toujours un extincteur à la portée de main.
- Le soudage effectué sur un plafond, plancher, paroi ou séparation peut déclencher un incendie de l'autre côté.
- Ne pas effectuer le soudage sur des conteneurs fermés tels que des réservoirs, tambours, ou conduites, à moins qu'ils n'aient été préparés correctement conformément à AWS F4.1 (voir les normes de sécurité).
- Brancher le câble de masse sur la pièce la plus près possible de la zone de soudage pour éviter le transport du courant sur une longue distance par des chemins inconnus éventuels en provoquant des risques d'électrocution, d'étincelles et d'incendie.
- Ne pas utiliser le poste de soudage pour décongeler des conduites gelées.
- En cas de non-utilisation, enlever la baguette d'électrode du porte-électrode ou couper le fil à la pointe de contact.
- Porter des vêtements de protection exempts d'huile tels que des gants en cuir, une veste résistante, des pantalons sans revers, des bottes et un casque.
- Avant de souder, retirer toute substance combustible de ses poches telles qu'un allumeur au butane ou des allumettes.
- Suivre les consignes de OSHA 1910.252 (a) (2) (iv) et de NFPA 51B pour travaux de soudage et prévoir un détecteur d'incendie et un extincteur à proximité.



DES PARTICULES VOLANTES peuvent blesser les yeux.

- Le soudage, l'écaillage, le passage de la pièce à la brosse en fil de fer, et le meulage génèrent des étincelles et des particules métalliques volantes. Pendant la période de refroidissement des soudures, elles risquent de projeter du laitier.
- Porter des lunettes de sécurité avec écrans latéraux ou un écran facial.



LES ACCUMULATIONS DE GAZ risquent de provoquer des blessures ou même la mort.

- Fermer l'alimentation du gaz protecteur en cas de non-utilisation.
- Veiller toujours à bien aérer les espaces confinés ou se servir d'un respirateur d'adduction d'air homologué.



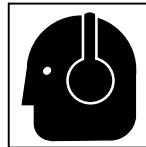
DES PIÈCES CHAUDES peuvent provoquer des brûlures graves.

- Ne pas toucher des parties chaudes à mains nues.
- Prévoir une période de refroidissement avant d'utiliser le pistolet ou la torche.
- Ne pas toucher aux pièces chaudes, utiliser les outils recommandés et porter des gants de soudage et des vêtements épais pour éviter les brûlures.



LES CHAMPS MAGNÉTIQUES peuvent affecter les stimulateurs cardiaques.

- Porteurs de stimulateur cardiaque, rester à distance.
- Les porteurs d'un stimulateur cardiaque doivent d'abord consulter leur médecin avant de s'approcher des opérations de soudage à l'arc, de gougeage ou de soudage par points.



LE BRUIT peut endommager l'ouïe.

Le bruit des processus et des équipements peut affecter l'ouïe.

- Porter des protections approuvées pour les oreilles si le niveau sonore est trop élevé.



LES BOUTEILLES peuvent exploser si elles sont endommagées.

Des bouteilles de gaz protecteur contiennent du gaz sous haute pression. Si une bouteille est endommagée, elle peut exploser. Du fait que les bouteilles de gaz font normalement partie du procédé de soudage, les manipuler avec précaution.

- Protéger les bouteilles de gaz comprimé d'une chaleur excessive, des chocs mécaniques, des dommages physiques, du laitier, des flammes ouvertes, des étincelles et des arcs.
- Placer les bouteilles debout en les fixant dans un support stationnaire ou dans un porte-bouteilles pour les empêcher de tomber ou de se renverser.
- Tenir les bouteilles éloignées des circuits de soudage ou autres circuits électriques.
- Ne jamais placer une torche de soudage sur une bouteille à gaz.
- Une électrode de soudage ne doit jamais entrer en contact avec une bouteille.
- Ne jamais souder une bouteille pressurisée – risque d'explosion.
- Utiliser seulement des bouteilles de gaz protecteur, régulateurs, tuyaux et raccords convenables pour cette application spécifique ; les maintenir ainsi que les éléments associés en bon état.
- Détourner votre visage du détendeur-régulateur lorsque vous ouvrez la soupape de la bouteille.
- Le couvercle du détendeur doit toujours être en place, sauf lorsque la bouteille est utilisée ou qu'elle est reliée pour usage ultérieur.
- Utiliser les équipements corrects, les bonnes procédures et suffisamment de personnes pour soulever et déplacer les bouteilles.
- Lire et suivre les instructions sur les bouteilles de gaz comprimé, l'équipement connexe et le dépliant P-1 de la CGA (Compressed Gas Association) mentionné dans les principales normes de sécurité.

2-3. Dangers supplémentaires en relation avec l'installation, le fonctionnement et la maintenance



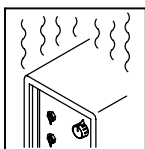
Risque D'INCENDIE OU D'EXPLOSION.

- Ne pas placer l'appareil sur, au-dessus ou à proximité de surfaces inflammables.
- Ne pas installer l'appareil à proximité de produits inflammables.
- Ne pas surcharger l'installation électrique – s'assurer que l'alimentation est correctement dimensionnée et protégée avant de mettre l'appareil en service.



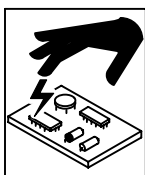
LA CHUTE DE L'APPAREIL peut blesser.

- Utiliser l'anneau de levage uniquement pour soulever l'appareil, NON PAS les chariots, les bouteilles de gaz ou tout autre accessoire.
- Utiliser un équipement de levage de capacité suffisante pour lever l'appareil.
- En utilisant des fourches de levage pour déplacer l'unité, s'assurer que les fourches sont suffisamment longues pour dépasser du côté opposé de l'appareil.



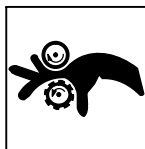
L'EMPLOI EXCESSIF peut SURCHAUFFER L'ÉQUIPEMENT.

- Prévoir une période de refroidissement ; respecter le cycle opératoire nominal.
- Réduire le courant ou le facteur de marche avant de poursuivre le soudage.
- Ne pas obstruer les passages d'air du poste.



LES CHARGES ÉLECTROSTATIQUES peuvent endommager les circuits imprimés.

- Établir la connexion avec la barrette de terre avant de manipuler des cartes ou des pièces.
- Utiliser des pochettes et des boîtes antistatiques pour stocker, déplacer ou expédier des cartes PC.



DES ORGANES MOBILES peuvent provoquer des blessures.

- Ne pas s'approcher des organes mobiles.
- Ne pas s'approcher des points de coincement tels que des rouleaux de commande.



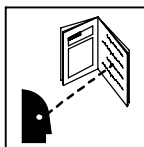
LES FILS DE SOUDAGE peuvent provoquer des blessures.

- Ne pas appuyer sur la gâchette avant d'en avoir reçu l'instruction.
- Ne pas diriger le pistolet vers soi, d'autres personnes ou toute pièce mécanique en engageant le fil de soudage.



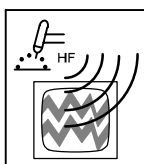
DES ORGANES MOBILES peuvent provoquer des blessures.

- S'abstenir de toucher des organes mobiles tels que des ventilateurs.
- Maintenir fermés et verrouillés les portes, panneaux, recouvrements et dispositifs de protection.
- Seules des personnes qualifiées sont autorisées à enlever les portes, panneaux, recouvrements ou dispositifs de protection pour l'entretien.
- Remettre les portes, panneaux, recouvrements ou dispositifs de protection quand l'entretien est terminé et avant de rebrancher l'alimentation électrique.



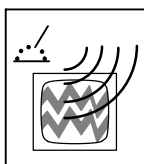
LIRE LES INSTRUCTIONS.

- Lire le manuel d'utilisation avant d'utiliser ou d'intervenir sur l'appareil.
- Utiliser uniquement des pièces de rechange Miller/Hobart.



LE RAYONNEMENT HAUTE FRÉQUENCE (HF) risque de provoquer des interférences.

- Le rayonnement haute fréquence (HF) peut provoquer des interférences avec les équipements de radio-navigation et de communication, les services de sécurité et les ordinateurs.
- Demander seulement à des personnes qualifiées familiarisées avec des équipements électroniques de faire fonctionner l'installation.
- L'utilisateur est tenu de faire corriger rapidement par un électricien qualifié les interférences résultant de l'installation.
- Si le FCC signale des interférences, arrêter immédiatement l'appareil.
- Effectuer régulièrement le contrôle et l'entretien de l'installation.
- Maintenir soigneusement fermés les portes et les panneaux des sources de haute fréquence, maintenir les éclateurs à une distance correcte et utiliser une terre et un blindage pour réduire les interférences éventuelles.



LE SOUDAGE À L'ARC risque de provoquer des interférences.

- L'énergie électromagnétique peut gêner le fonctionnement d'appareils électroniques comme des ordinateurs et des robots.
- Veiller à ce que tout l'équipement de la zone de soudage soit compatible électromagnétiquement.
- Pour réduire la possibilité d'interférence, maintenir les câbles de soudage aussi courts que possible, les grouper, et les poser aussi bas que possible (ex. par terre).
- Veiller à souder à une distance de 100 mètres de tout équipement électronique sensible.
- Veiller à ce que ce poste de soudage soit posé et mis à la terre conformément à ce mode d'emploi.
- En cas d'interférences après avoir pris les mesures précédentes, il incombe à l'utilisateur de prendre des mesures supplémentaires telles que le déplacement du poste, l'utilisation de câbles blindés, l'utilisation de filtres de ligne ou la pose de protecteurs dans la zone de travail.

2-4. Proposition californienne 65 Avertissements

▲ Les équipements de soudage et de coupage produisent des fumées et des gaz qui contiennent des produits chimiques dont l'État de Californie reconnaît qu'ils provoquent des malformations congénitales et, dans certains cas, des cancers. (Code de santé et de sécurité de Californie, chapitre 25249.5 et suivants)

▲ Les batteries, les bornes et autres accessoires contiennent du plomb et des composés à base de plomb, produits chimiques dont l'État de Californie reconnaît qu'ils provoquent des cancers et des malformations congénitales ou autres problèmes de procréation. Se laver les mains après manipulation.

Pour les moteurs à essence :

▲ Les gaz d'échappement des moteurs contiennent des produits chimiques dont l'État de Californie reconnaît qu'ils provoquent des cancers et des malformations congénitales ou autres problèmes de procréation.

Pour les moteurs diesel :

▲ Les gaz d'échappement des moteurs diesel et certains de leurs composants sont reconnus par l'État de Californie comme provoquant des cancers et des malformations congénitales ou autres problèmes de procréation.

2-5. Principales normes de sécurité

Safety in Welding, Cutting, and Allied Processes, ANSI Standard Z49.1, de Global Engineering Documents (téléphone : 1-877-413-5184, site Internet : www.global.ihs.com).

Recommended Safe Practices for the Preparation for Welding and Cutting of Containers and Piping, American Welding Society Standard AWS F4.1 de Global Engineering Documents (téléphone : 1-877-413-5184, site Internet : www.global.ihs.com).

National Electrical Code, NFPA Standard 70, de National Fire Protection Association, P.O. Box 9101, 1 Battery March Park, Quincy, MA 02269-9101 (téléphone : 617-770-3000, site Internet : www.nfpa.org).

Safe Handling of Compressed Gases in Cylinders, CGA Pamphlet P-1, de Compressed Gas Association, 1735 Jefferson Davis Highway, Suite 1004, Arlington, VA 22202-4102 (téléphone : 703-412-0900, site Internet : www.cganet.com).

Code for Safety in Welding and Cutting, CSA Standard W117.2, de Canadian Standards Association, Standards Sales, 178 Rexdale

Boulevard, Rexdale, Ontario, Canada M9W 1R3 (téléphone : 800-463-6727 ou à Toronto 416-747-4044, site Internet : www.csa-international.org).

Practice For Occupational And Educational Eye And Face Protection, ANSI Standard Z87.1, de American National Standards Institute, 11 West 42nd Street, New York, NY 10036-8002 (téléphone : 212-642-4900, site Internet : www.ansi.org).

Standard for Fire Prevention During Welding, Cutting, and Other Hot Work, NFPA Standard 51B, de National Fire Protection Association, P.O. Box 9101, 1 Battery March Park, Quincy, MA 02269-9101 (téléphone : 617-770-3000, site Internet : www.nfpa.org).

OSHA, Occupational Safety and Health Standards for General Industry, Title 29, Code of Federal Regulations (CFR), Part 1910, Subpart Q, and Part 1926, Subpart J, de U.S. Government Printing Office, Superintendent of Documents, P.O. Box 371954, Pittsburgh, PA 15250 (il y a 10 bureaux régionaux—le téléphone de la région 5, Chicago, est 312-353-2220, site Internet : www.osha.gov).

2-6. Information EMF

Considérations sur le soudage et les effets de basse fréquence et des champs magnétiques et électriques.

Le courant de soudage, pendant son passage dans les câbles de soudage, causera des champs électromagnétiques. Il y a eu et il y a encore un certain souci à propos de tels champs. Cependant, après avoir examiné plus de 500 études qui ont été faites pendant une période de recherche de 17 ans, un comité spécial ruban bleu du National Research Council a conclu : « L'accumulation de preuves, suivant le jugement du comité, n'a pas démontré que l'exposition aux champs magnétiques et champs électriques à haute fréquence représente un risque à la santé humaine ». Toutefois, des études sont toujours en cours et les preuves continuent à être examinées. En attendant que les conclusions finales de la recherche soient établies, il vous serait souhaitable de réduire votre exposition aux champs électromagnétiques pendant le soudage ou le coupage.

Pour réduire les champs magnétiques sur le poste de travail, appliquer les procédures suivantes :

1. Maintenir les câbles ensemble en les tordant ou en les enveloppant.
2. Disposer les câbles d'un côté et à distance de l'opérateur.
3. Ne pas courber pas et ne pas entourer pas les câbles autour de votre corps.
4. Garder le poste de soudage et les câbles le plus loin possible de vous.
5. Connecter la pince sur la pièce aussi près que possible de la soudeuse.

En ce qui concerne les stimulateurs cardiaques

Les porteurs de stimulateur cardiaque doivent consulter leur médecin avant de souder ou d'approcher des opérations de soudage. Si le médecin approuve, il est recommandé de suivre les procédures précédentes.


SECTION 3 – INTRODUCTION

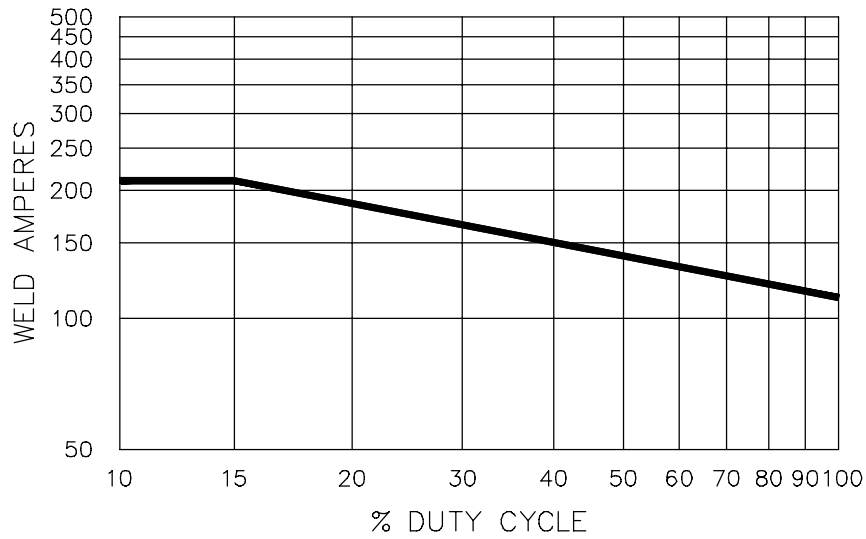
3-1. Specifications

Rated Output	Max. Open Circuit Voltage	Amps Input at Rated Output, 60 Hz, Single-Phase			
		200 V	230 V	KVA	KW
150 A at 23 VDC, 40% Duty Cycle	33	29 2.3*	25 2*	5.8 0.4*	4.9 0.1*
Wire Type and Diameter			No Load Wire Feed Speed	Dimensions	Weight
Solid Steel/ Stainless Steel	Aluminum	Flux Cored	90-750 IPM (2.3-19 m/min)	H: 31-1/4 in (794 mm) W: 18-7/8 in (479 mm) D: 36-1/2 in (927 mm)	146 lb (66 kg)
.023 – .045 in (0.6 – 1.2 mm)	.030 – .035 in (0.8 – 0.9 mm)	.030 – .045 in (0.8 – 1.2 mm)			

* While idling

3-2. Welding Power Source Duty Cycle And Overheating





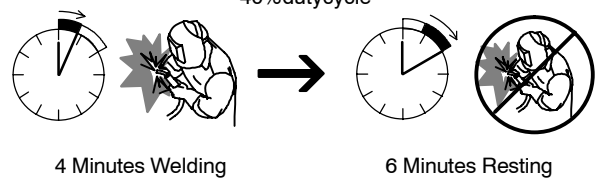
% Duty Cycle	Weld Amperes
10	210
15	210
20	195
30	175
40	160
50	150
60	140
70	135
80	130
90	125
100	115

Duty Cycle is percentage of 10 minutes that unit can weld at rated load without overheating.

If unit overheats, thermostat(s) opens, output stops, and cooling fan runs. Wait fifteen minutes for unit to cool. Reduce amperage or voltage, or duty cycle before welding.

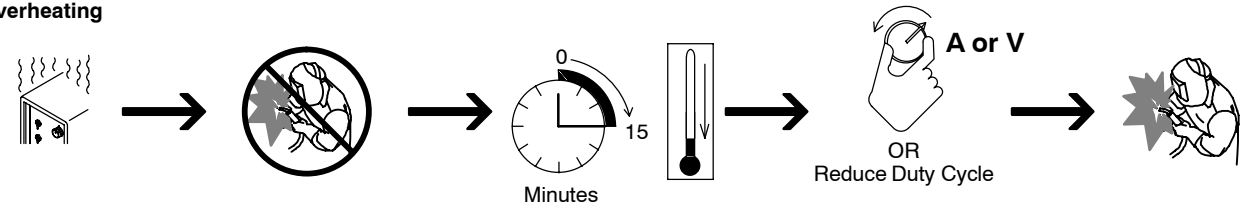
▲ Exceeding duty cycle can damage unit and void warranty.

40% duty cycle



4 Minutes Welding 6 Minutes Resting

Overheating



Minutes OR Reduce Duty Cycle

duty1 4/95 – 199 211



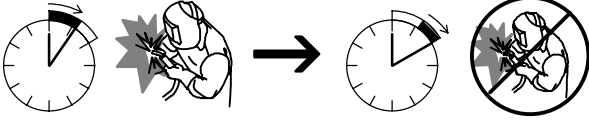
3-3. Welding Gun Duty Cycle And Overheating

⚠ CAUTION

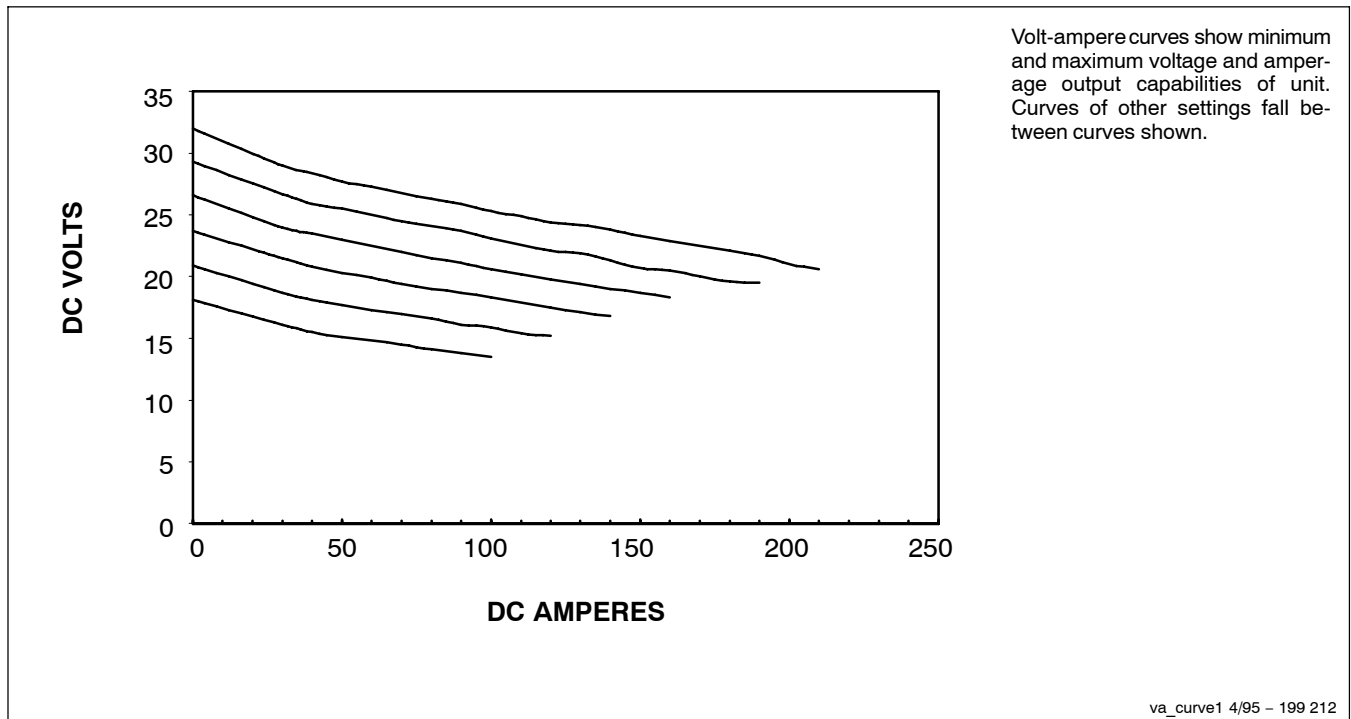
WELDING LONGER THAN RATED DUTY CYCLE can damage gun and void warranty.

- Do not weld at rated load longer than shown below.
- Using gasless flux cored wire reduces gun duty cycle.

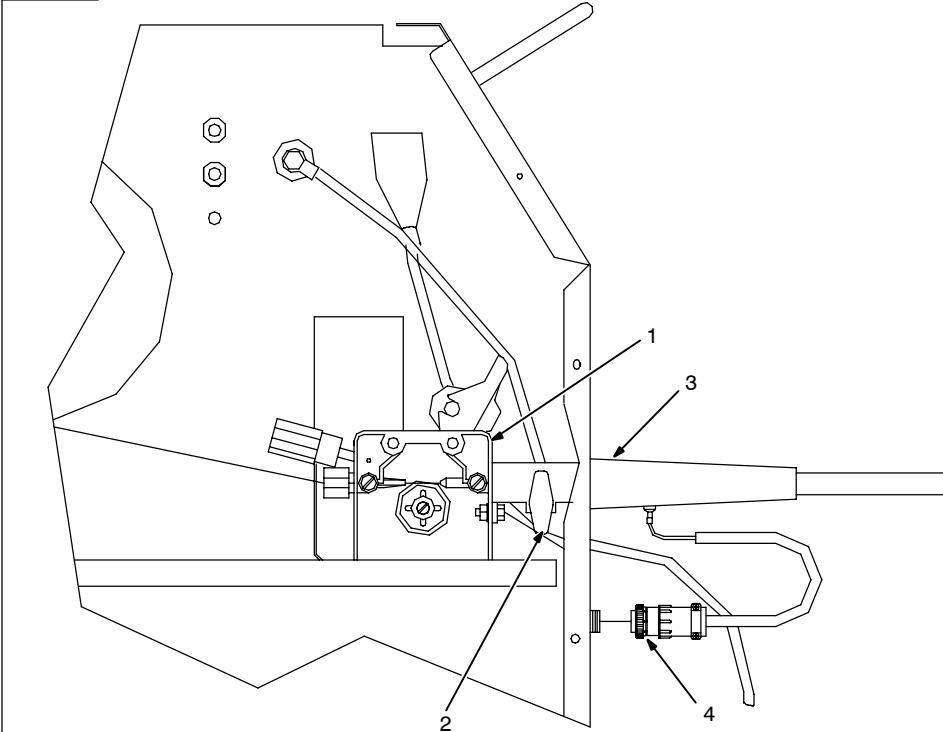
warn7.1 8/93

<p>Definition</p>  <p>10 Minutes</p> <p>Duty Cycle is percentage of 10 minutes that gun can weld at rated load without overheating.</p>	<p>.023 To .045 in (0.6 To 1.1 mm) Hard Or Flux Cored Wires</p> <p>100% Duty Cycle At 100 Amperes Using CO₂</p>  <p>Continuous Welding</p>	<p>.023 To .045 in (0.6 To 1.1 mm) Hard Or Flux Cored Wires</p> <p>60% Duty Cycle At 100 Amperes Using Mixed Gases</p>  <p>6 Minutes Welding 4 Minutes Resting</p> <p>SB1.1 8/93</p>
---	--	---

3-4. Volt-Ampere Curves



3-5. Installing Welding Gun



- 1 Drive Assembly
- 2 Gun Securing Knob
- 3 Gun End

Loosen knob. Insert gun end through opening until it bottoms against drive assembly. Tighten knob.

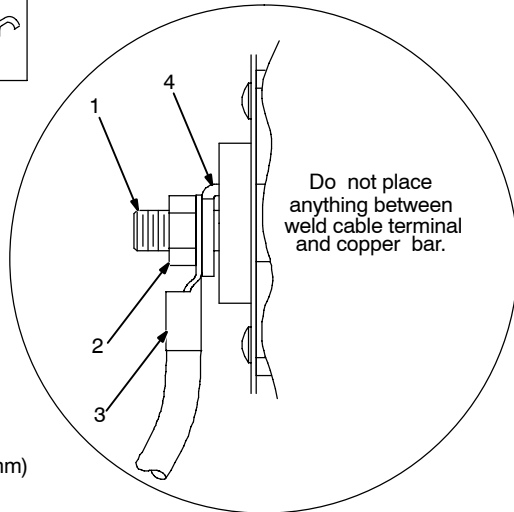
- 4 Gun Trigger Plug

Insert plug into receptacle, and tighten threaded collar.

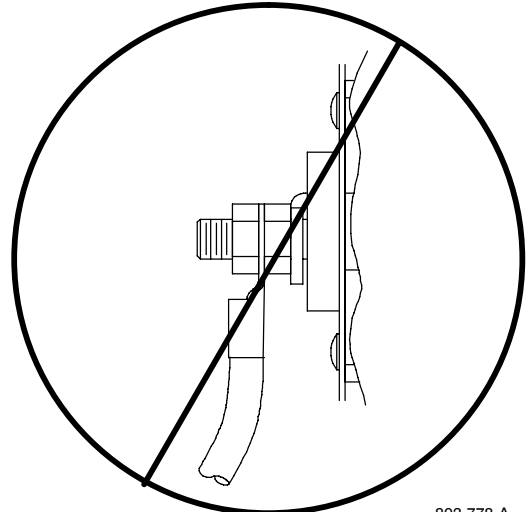
Close door.

Ref. 802 601-A

3-6. Connecting To Weld Output Terminals

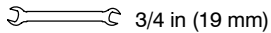


Do not place anything between weld cable terminal and copper bar.



803 778-A

Tools Needed:



Correct Installation

Incorrect Installation

▲ Turn off power before connecting to weld output terminals.

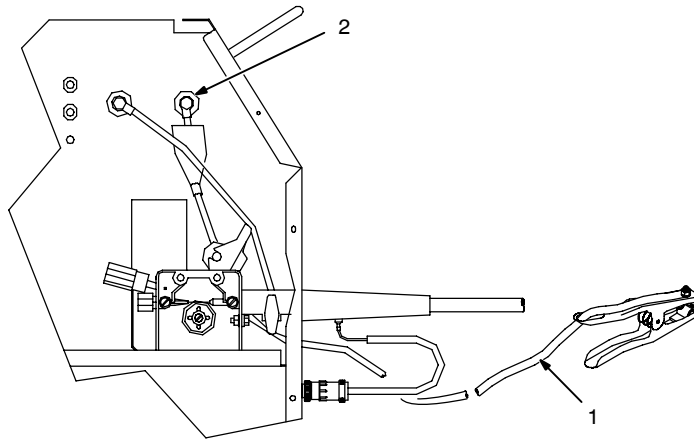
▲ Failure to properly connect weld cables may cause excessive heat and start a fire, or damage your machine.

- 1 Weld Output Terminal
- 2 Supplied Weld Output Terminal Nut
- 3 Weld Cable Terminal
- 4 Copper Bar

Remove supplied nut from weld output ter-

minal. Slide weld cable terminal onto weld output terminal and secure with nut so that weld cable terminal is tight against copper bar. **Do not place anything between weld cable terminal and copper bar. Make sure that the surfaces of the weld cable terminal and copper bar are clean.**

3-7. Installing Work Clamp Cable



Tools Needed:



- 1 Work Cable

Route cable through opening in front panel.

- 2 Negative (-/Black) Output Terminal

Connect cable to terminal.

Close door.

Ref. 802 601-A / Ref. 801 566-B

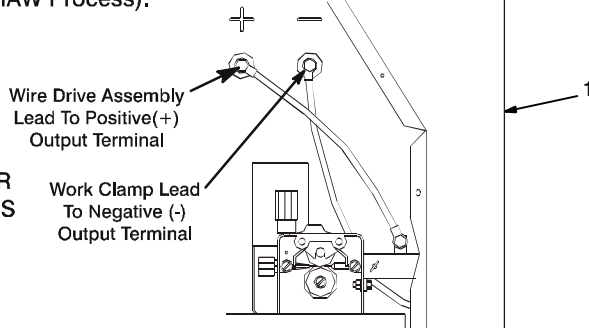
3-8. Setting Gun Polarity For Wire Type



- 1 Polarity Changeover Label
- 2 Positive (+/Red) Output Terminal
- 3 Negative (-/Black) Output Terminal

Shown As Shipped - Set For Electrode Positive (DCEP)
For Solid Steel, Stainless Steel, Aluminum or Flux Core with
Gas Wires (GMAW Process).

GUN POLARITY CHANGEOVER CONNECTIONS

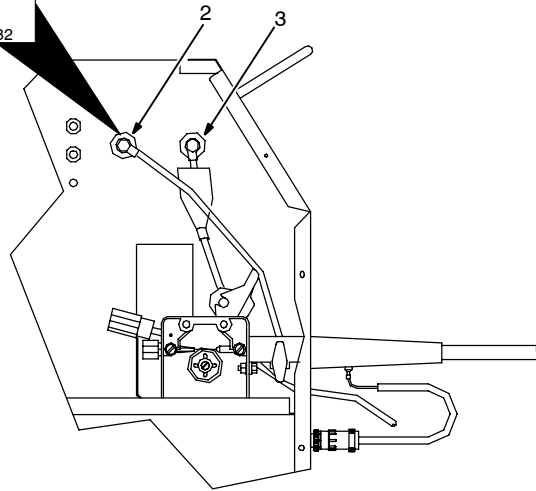


Reverse Lead Connections - Set for Electrode Negative
(DCEN). For Gasless Flux Cored Wires (FCAW Process).
Drive Assembly Becomes Negative

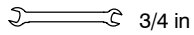
Ref. ST-192 432

Always read and follow wire
manufacturer's recommended
polarity.

Close door.



Tools Needed:



Ref. 802 601-A

3-9. Installing Gas Supply



DO NOT use Argon/Mixed gas regulator/flowmeter with CO₂ shielding gas. See Parts List for optional CO₂ gas regulator/flowmeter.

CAUTION

USING AN OVERSIZED GAS CYLINDER CAN CAUSE TIPPING resulting in cylinder and equipment damage and personal injury.

- Do not exceed maximum cylinder weight of 100 lbs. (45kg).

137653-B

Obtain gas cylinder and chain to running gear, wall, or other stationary support so cylinder cannot fall and break off valve.

- 1 Cap
- 2 Cylinder Valve

Remove cap, stand to side of valve, and open valve slightly. Gas flow blows dust and dirt from valve. Close valve.

- 3 Cylinder
- 4 Regulator/Flowmeter

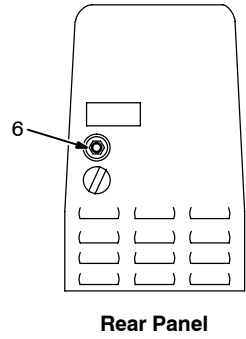
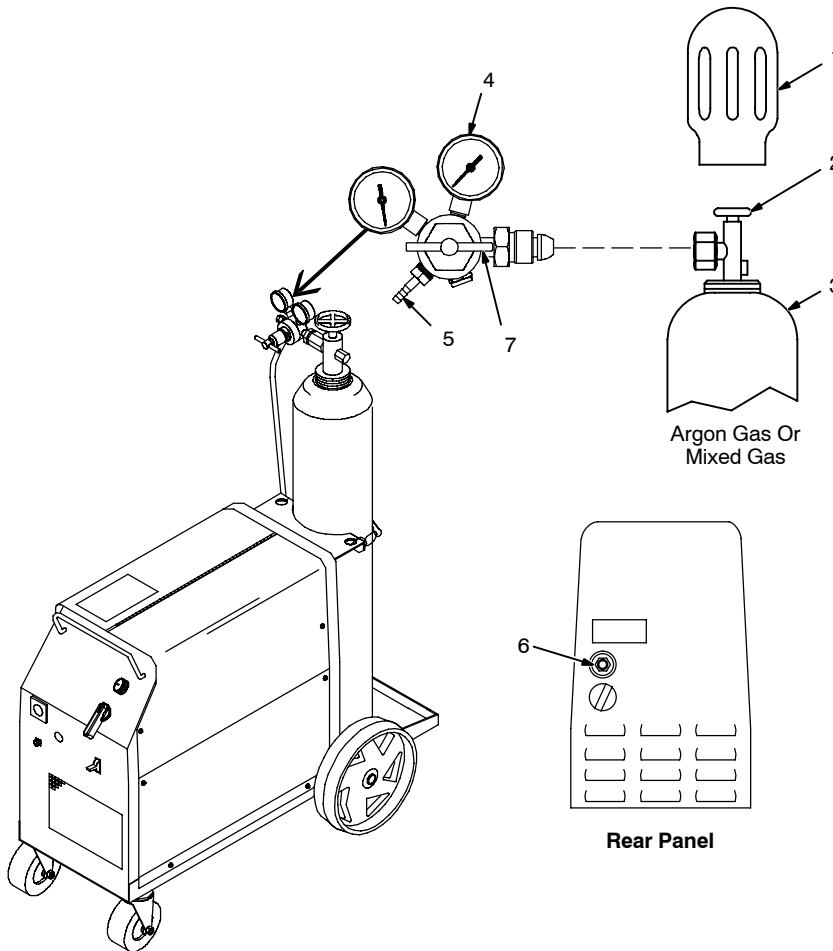
Install so face is vertical.

- 5 Regulator/Flowmeter Gas Hose Connection
- 6 Welding Power Source Gas Hose Connection

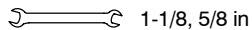
Connect customer supplied gas hose between regulator/flowmeter gas hose connection, and fitting on rear of welding power source.

- 7 Flow Adjust

Typical flow rate is 20 cfh (cubic feet per hour). Check wire manufacturer's recommended flow rate.







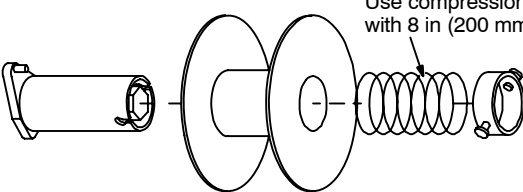
Tools Needed:



Ref. 220 747-A / 802 028-A / Ref. 802 286-E

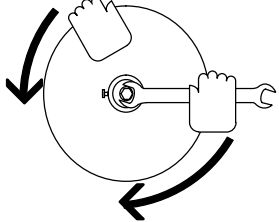
3-10. Installing Wire Spool And Adjusting Hub Tension

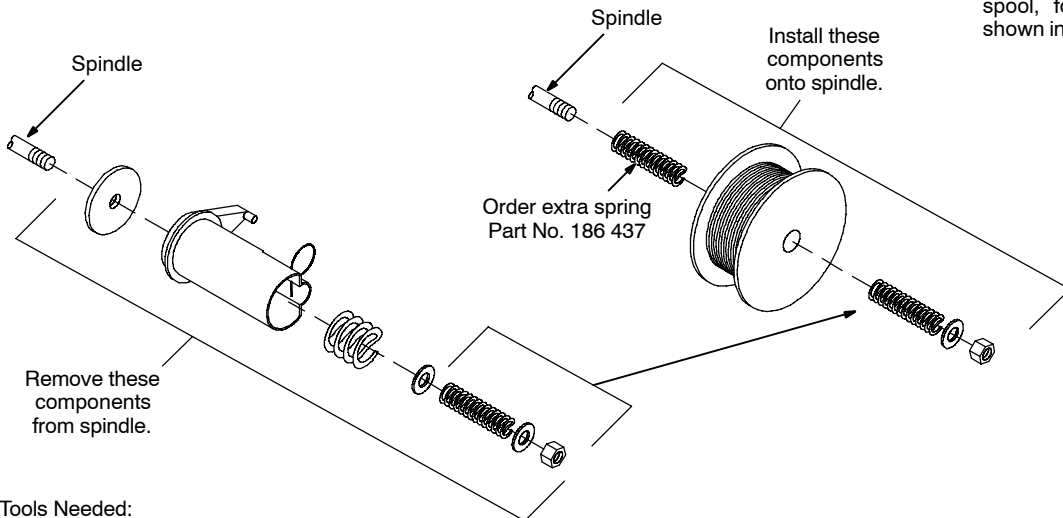


Use compression spring with 8 in (200 mm) spools.

When a slight force is needed to turn spool, tension is set.



Installing 1 Or 2 lb Wire Spool




Remove these components from spindle.

Order extra spring Part No. 186 437

Install these components onto spindle.

To install either a 1 lb or 2 lb wire spool, follow the procedure as shown in the illustration.





Tools Needed:

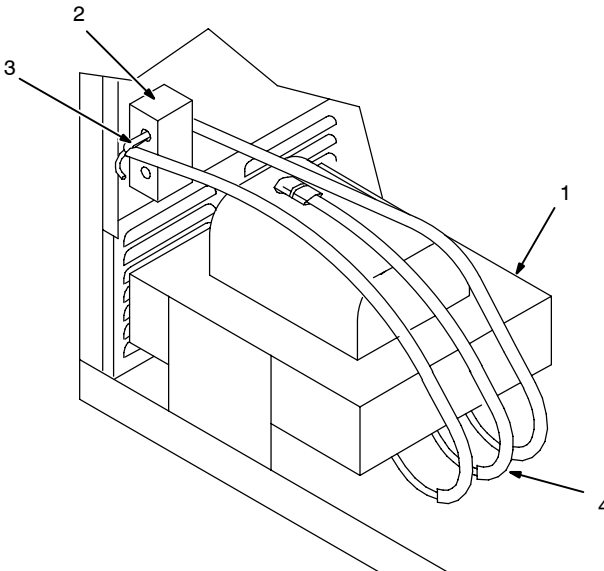


15/16 in

072573-B / 802 922

3-11. Changing Input Voltage



▲ Turn Off unit, and disconnect input power.

Unit was shipped from factory set for 230 volts.

- 1 Transformer T1
- 2 Rear Of Power Switch S1
- 3 Lead Marked 230 Volt And Fan Motor Lead

Disconnect 230 volt lead and fan motor lead from rear of S1. Leave fan motor lead connected to 230 volt lead.

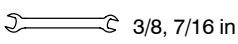
- 4 Lead Marked 200 Volt

Remove cable tie, and slide short piece of sleeving off 200 volt lead, and slide sleeving over end of 230 volt and fan motor leads. Fold sleeving over and secure in place.

Connect 200 volt lead to S1 where 230 volt lead was removed.

Reinstall wrapper.

Tools Needed:



3/8, 7/16 in

801 580-A

3-12. Electrical Service Guide

	60 Hz Single Phase	
Input Voltage	200	230
Input Amperes At Rated Output	29	25
Max Recommended Standard Fuse Rating In Amperes		
Circuit Breaker ¹, Time-Delay ²	35	30
Normal Operating ³	45	35
Min Input Conductor Size In AWG ⁴	12	12
Max Recommended Input Conductor Length In Feet (Meters)	60 (18)	79 (24)
Min Grounding Conductor Size In AWG ⁴	12	12

Reference: 2005 National Electrical Code (NEC) (including article 630)

1 Choose a circuit breaker with time-current curves comparable to a Time Delay Fuse.

2 "Time-Delay" fuses are UL class "RK5" .

3 "Normal Operating" (general purpose - no intentional delay) fuses are UL class "K5" (up to and including 60 amp), and UL class "H" (65 amp and above).

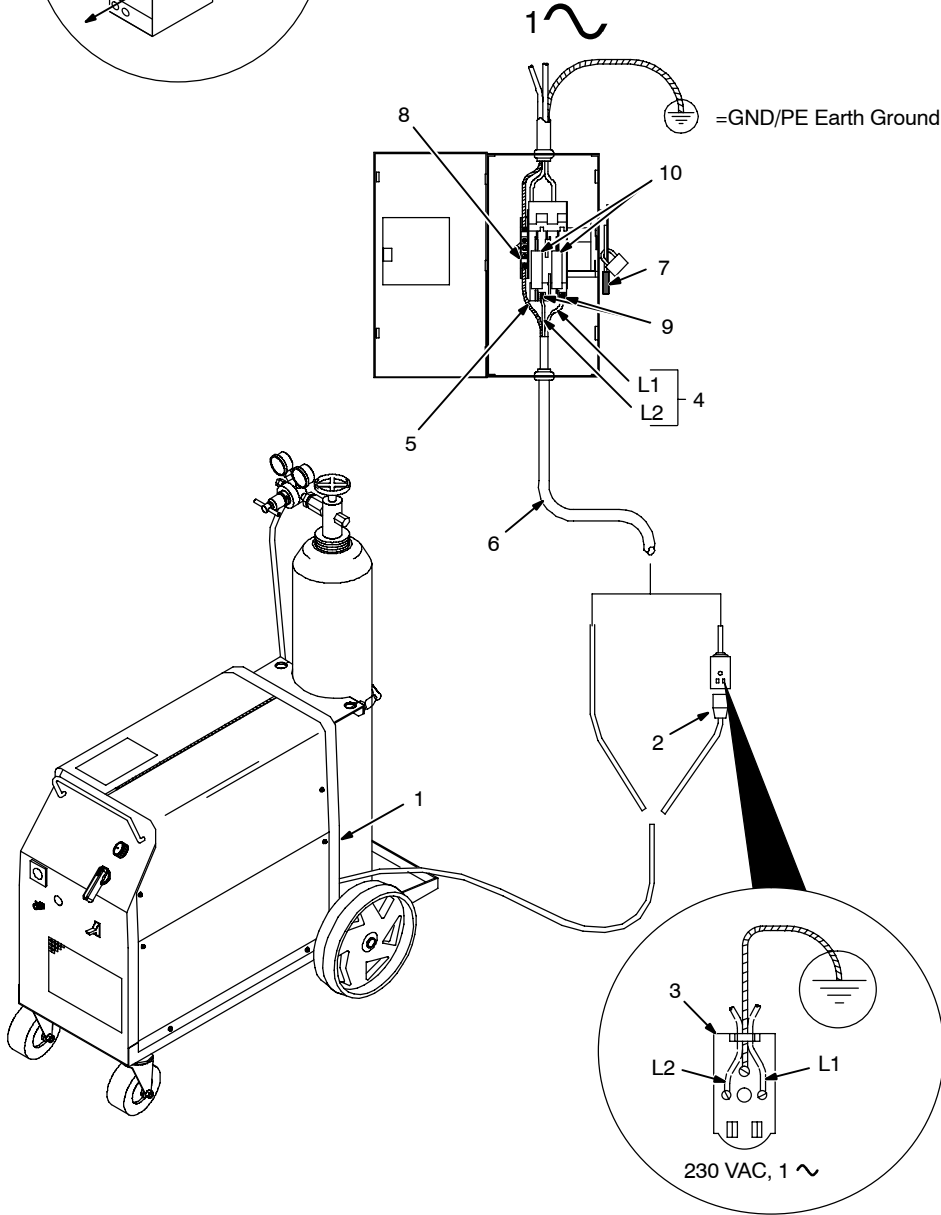
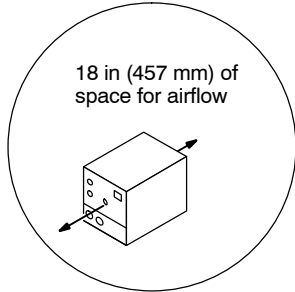
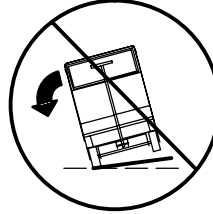
4 Conductor data in this section specifies conductor size (excluding flexible cord or cable) between the panelboard and the equipment per NEC Table 310.16. If a flexible cord or cable is used, minimum conductor size may increase. See NEC Table 400.5(A) for flexible cord and cable requirements.

▲ Caution: Failure to follow these fuse and circuit breaker recommendations could create an electric shock or fire hazard. These recommendations are for a dedicated branch circuit that applies to the rated output and duty cycle of the welding power source.

3-13. Selecting A Location And Connecting Input Power



▲ Do not move or operate unit where it could tip.



▲ Installation must meet all National and Local Codes – have only qualified persons make this installation.

▲ Special installation may be required where gasoline or volatile liquids are present – see NEC Article 511 or CEC Section 20.

▲ Disconnect and lockout/tag-out input power before connecting input conductors from unit.

▲ Always connect green or green/yellow conductor to supply grounding terminal first, and never to a line terminal.

1 Rating Label

Supply correct input power.

2 Plug

3 Receptacle

Connect plug to receptacle.

4 Black And White Input Conductor (L1 And L2)

5 Green Or Green/Yellow Grounding Conductor

6 Input Power Cord.

7 Disconnect Device (switch shown in the OFF position)

8 Disconnect Device Grounding Terminal

9 Disconnect Device Line Terminals

Connect green or green/yellow grounding conductor to disconnect device grounding terminal first.

Connect input conductors L1 and L2 to disconnect device line terminals.

10 Over-Current Protection

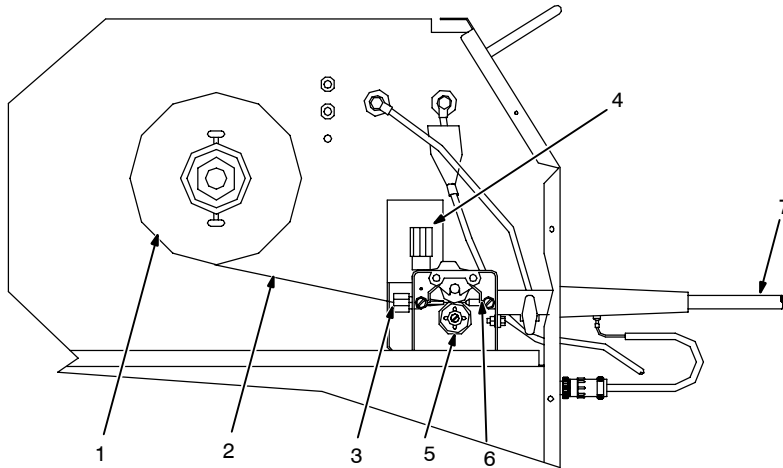
Select type and size of over-current protection using Section 3-12 (fused disconnect switch shown).

Close and secure door on disconnect device. Remove lockout/tag-out device, and place switch in the On position.

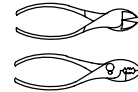
3-14. Threading Welding Wire



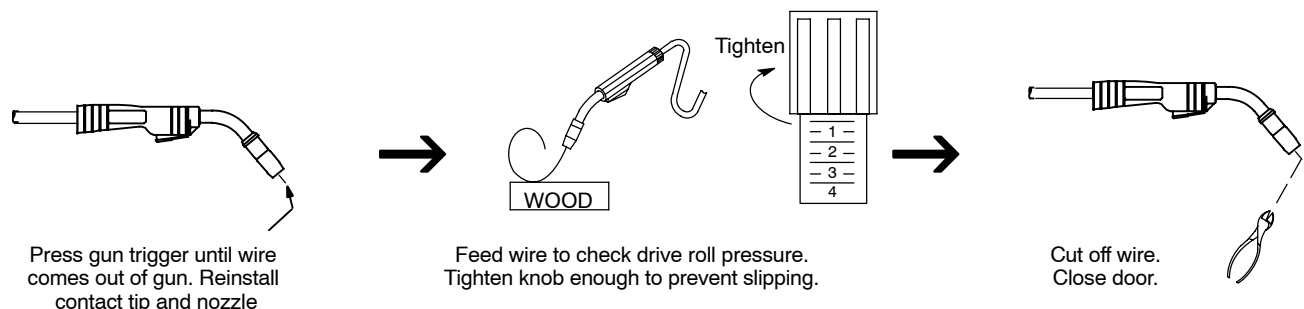
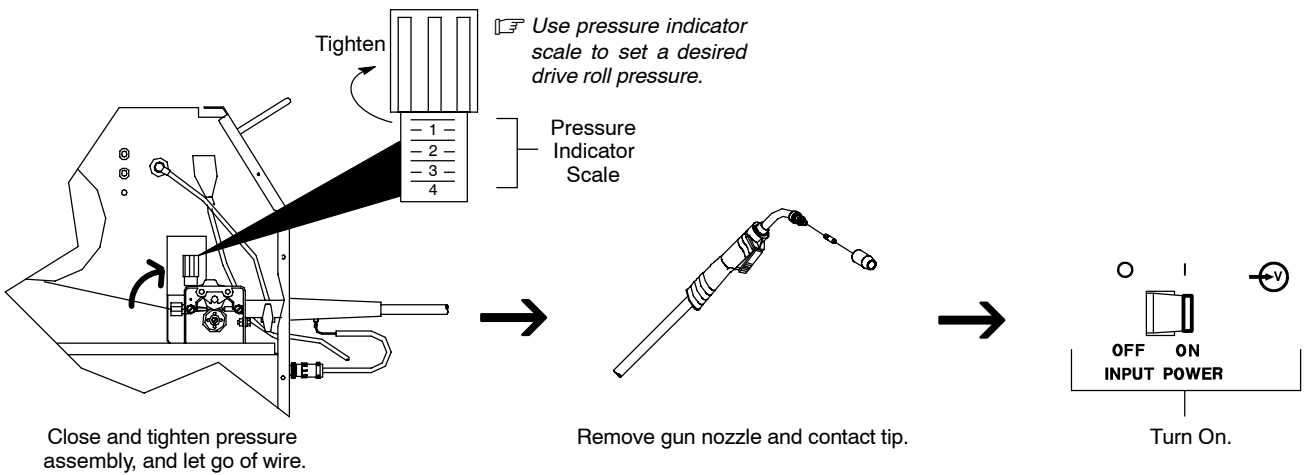
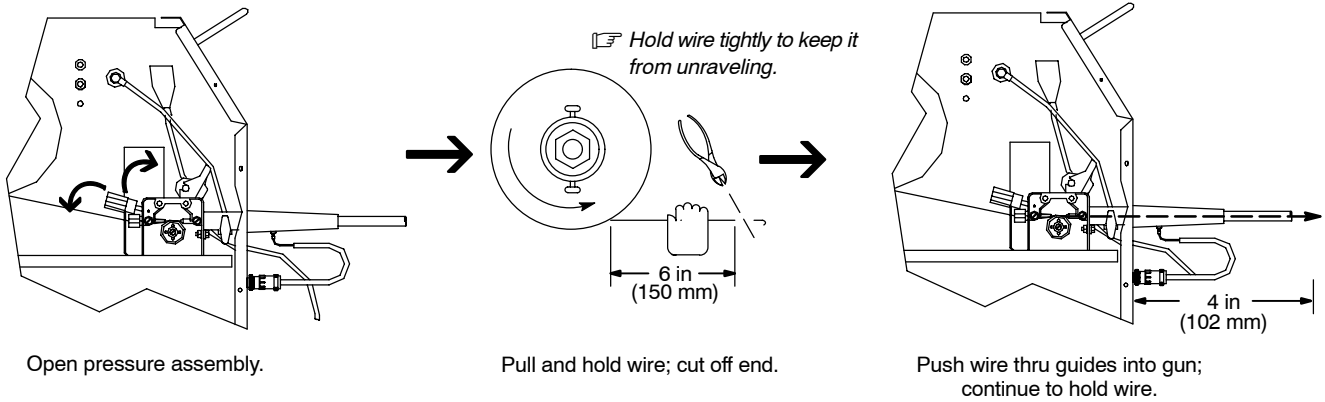
- 1 Wire Spool
 - 2 Welding Wire
 - 3 Inlet Wire Guide
 - 4 Pressure Adjustment Knob
 - 5 Drive Roll
 - 6 Outlet Wire Guide
 - 7 Gun Conduit Cable
- Lay gun cable out straight.



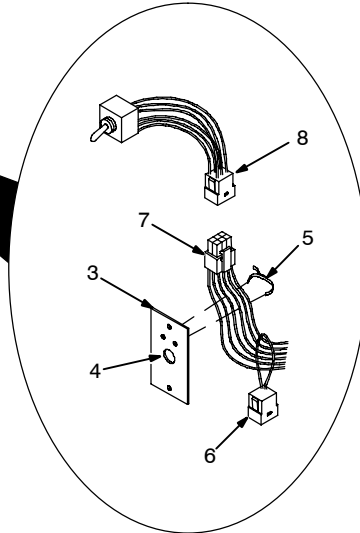
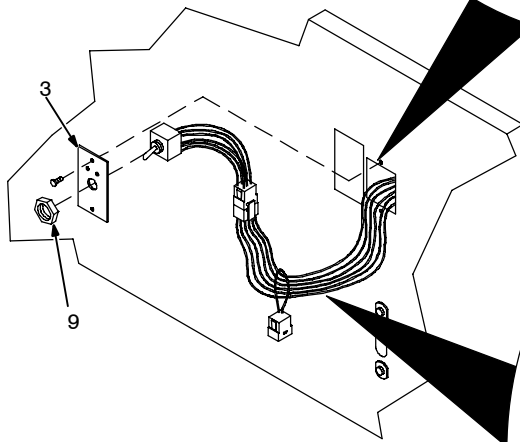
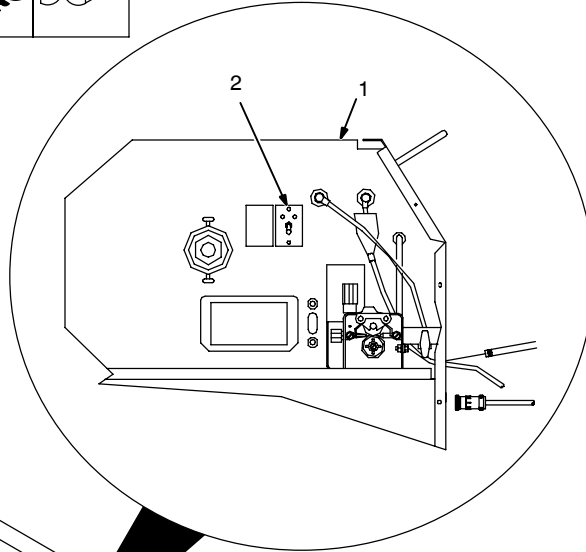
Tools Needed:



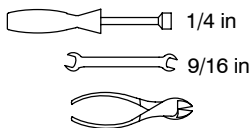
Ref. 802 601-A



3-15. Installing Optional Spool Gun Switch In Welding Power Source



Tools Needed:



▲ **Turn Off unit, and disconnect input power.**

- 1 Welding Power Source Center Baffle
- 2 Switch Location
- 3 Switch Mounting Plate

Remove 2 screws securing switch mounting plate to center baffle. Pull switch mounting plate to pull wiring harness through center baffle hole.

- 4 Plastic Plug

Remove and discard plastic plug from center hole in switch mounting plate panel.

- 5 Nylon Cable Tie

Cut and discard nylon cable tie.

- 6 Jumper Plug

- 7 Wiring Harness Switch Plug

Remove jumper plug from wiring harness switch plug. Retain jumper plug by placing looped lead over unit wiring harness.

- 8 Switch Plug

Connect switch plug to wiring harness switch plug.

- 9 Jam Nut

Remove top jam nut from switch (switch is equipped with two nuts, a jam nut and a backing nut).

Insert switch shaft through switch mounting plate. Switch should be positioned so lead with resistor is facing down.

Secure switch to plate with jam nut. Tighten jam nut enough to keep switch from rotating.

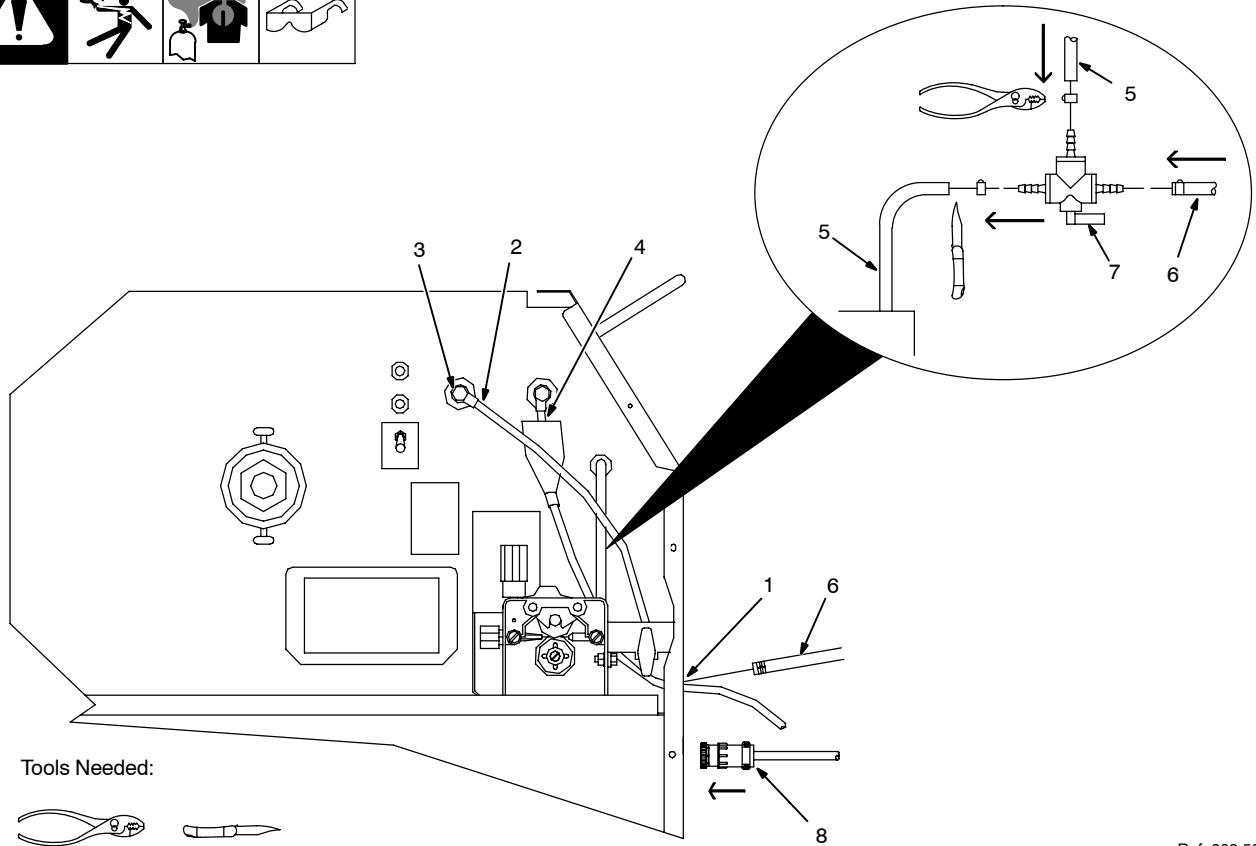
Push wiring harness back through hole, and reinstall switch mounting plate to center baffle.

Operation:

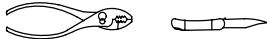
Place switch in On position for spool gun operation. Place switch in Off position for wire feeder/MIG (GMAW) gun operation.

When spool gun switch is in On position, spool gun wire feed speed is controlled by welding power source Wire Speed control.

3-16. Connecting Spool Gun To Welding Power Source



Tools Needed:



3/4 in

Ref. 802 582-A

▲ Turn Off unit.

Disconnect and remove MIG (GMAW) welding gun, if applicable.

1 Front Panel Opening

2 Spool Gun Weld Cable

Route weld cable through front panel opening.

3 Positive (+) Output Terminal

Connect spool gun weld cable to positive (+) output terminal.

4 Work Clamp Lead

Work clamp lead should be connected to

negative (-) output terminal.

5 Existing Gas Hose

6 Spool Gun Gas Hose

7 Gas Diverter Valve

To install diverter valve, cut existing gas hose above barbed fitting at wire drive housing.

Install supplied hose clamp onto end of hose at wire drive housing, and insert either of the two output barbed ends of diverter valve into hose. Secure with hose clamp.

Install another supplied hose clamp onto end of hose from gas supply, and insert in-

put barbed end of diverter valve into hose. Secure with hose clamp.

Slide hose clamp down gas hose from gun, and cut barbed fitting off hose. Route gas hose through front panel opening, and insert remaining output barbed end of diverter valve into hose. Secure with hose clamp.

8 Trigger Control Plug

Insert plug into receptacle, and tighten threaded collar.

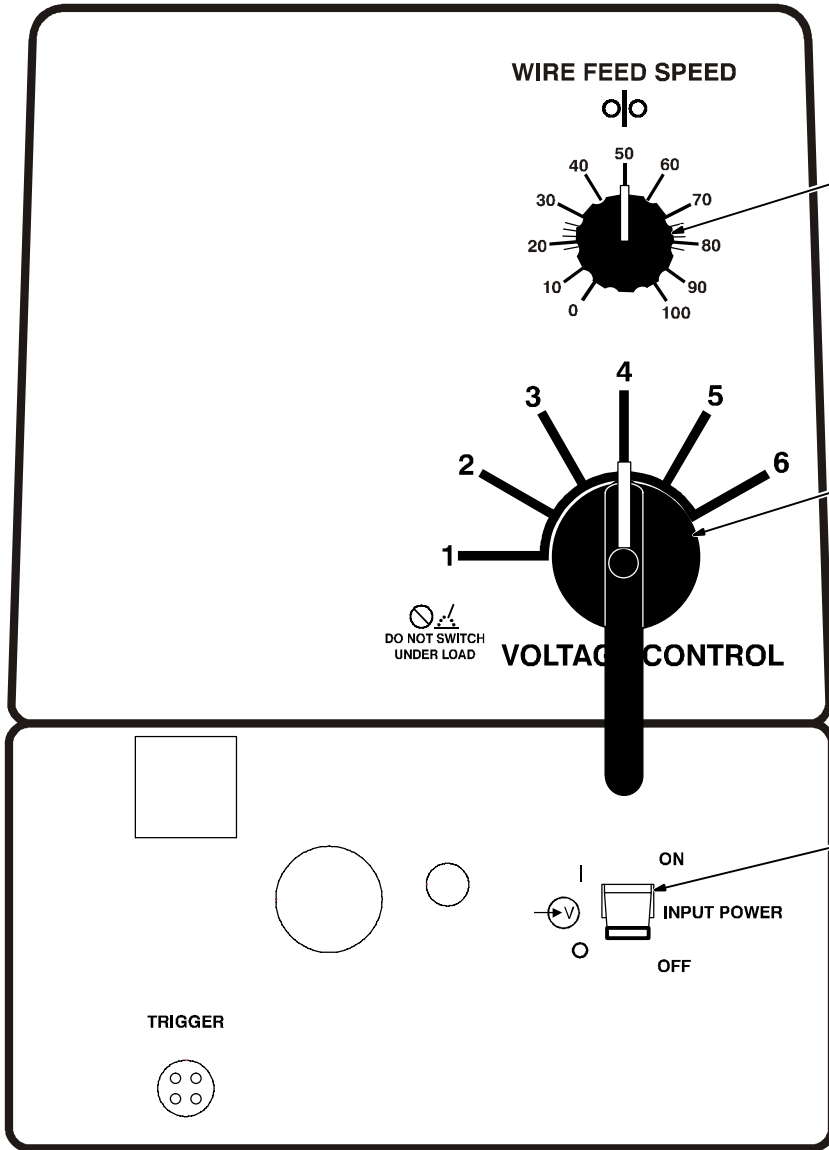
Close welding power source door.

SECTION 4 – OPERATION

4-1. Controls



- 1 Wire Speed Control
The scale around the control is percent, not wire feed speed.
- 2 Voltage Control
The higher the selected number, the thicker the material that can be welded (see welding guide and Section 4-2).
- 3 Power Switch

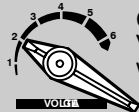


Ref. 199 206


4-2. Weld Parameters

Selecting Wire, Gas and Control Settings

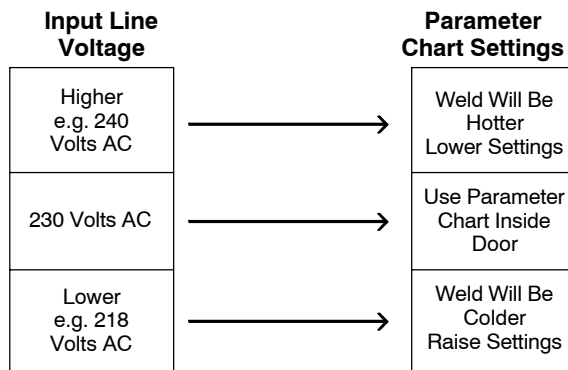
What Material are You Welding?	Suggested Wire Types	Suggested Shielding Gases and Flow Rate	Wire Sizes (Diameter)
Steel	Solid (or hard) ER70S-6	100% CO ₂ , 20 cfh	.023" (0.6 mm) .030" (0.8 mm) .035" (0.9 mm)
		75% Ar/25% CO ₂ , 20 cfh (Ar/CO ₂ , produces less spatter – better overall appearance)	.023" (0.6 mm) .030" (0.8 mm) .035" (0.9 mm)
Steel– for outdoor windy applications or when weld appearance is not critical.	Fluxcore E71T-GS	No shielding gas required	.030" (0.8 mm) .035" (0.9 mm) .045" (1.1 mm)
Stainless steel	Stainless steel ER 308	Tri-Mix 20 cfh (90% He/7.5% Ar/ 2.5% CO ₂)	.023" (0.6 mm) .030" (0.8 mm) .035" (0.9 mm)
Aluminum–with Optional Hobart 3035-20 Spool Gun	Aluminum 4043 AL	100% Ar, 20 cfh	.030" (0.8 mm) .035" (0.9 mm)
	Aluminum 5356 AL	100% Ar, 20 cfh	.030" (0.8 mm) .035" (0.9 mm)



CAUTION! Do not change Voltage switch position while welding.



Wire Speed listed is a starting value only – Wire Speed setting can be fine-tuned while welding. Wire Speed also depends on other variables, such as stick out, travel speed, weld angle, cleanliness of metal, etc.

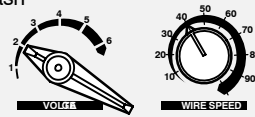


SETTINGS ON THIS CHART ARE STARTING VALUES ONLY AND ARE ON 230 INPUT LINE VOLTAGE. SEE OWNERS MANUAL FOR MORE INFORMATION.

Select Voltage and Wire Speed Based on Thickness of Metal Being Welded

To read settings: Number on left of slash is voltage, number on right of slash is wire speed. "—" means not recommended.

Example: 2/40 =



3/8" (9.5 mm)	1/4" (6.4 mm)	3/16" (4.8 mm)	1/8" (3.2 mm)	14 ga. (2.0 mm)	16 ga. (1.6 mm)	18 ga. (1.2 mm)	20 ga. (0.9 mm)	22 ga. (0.8 mm)
—	—	4/74	3/46	3/46	2/18	2/18	2/18	2/16
5/58	4/48	4/44	3/34	3/32	2/14	2/12	2/10	—
5/52	4/34	4/34	3/20	3/18	2/12	2/12	—	—
5/100	5/100	4/80	4/80	3/68	2/36	2/36	1/16	1/16
5/72	4/62	4/62	3/42	3/40	2/24	2/24	1/16	1/16
5/60	4/52	4/50	3/40	3/36	2/20	2/16	2/14	—
5/66	4/52	3/46	2/20	2/14	1/12	1/12	—	—
5/44	4/36	3/20	2/10	2/4	1/0	—	—	—
5/30	5/30	4/20	3/10	—	—	—	—	—
—	6/90	5/86	5/82	4/70	3/50	3/46	3/42	3/42
—	6/76	5/68	5/64	4/56	3/46	3/46	3/40	2/32
—	6/70	5/66	5/66	4/40	3/32	3/28	2/24	—
—	6/78	5/72	4/68	2/68	1/56	—	—	—
—	6/72	5/66	4/60	2/58	—	—	—	—
—	6/100	5/88	4/88	2/80	1/70	—	—	—
—	6/84	5/84	4/84	2/70	—	—	—	—

DriveRolls

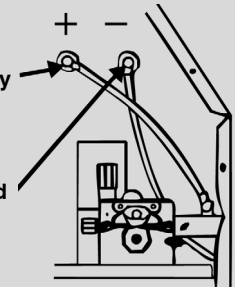


Wire Size	Stock No.
V-Grooved .024", .030"/.035"	202925
.024", .045"	407230-004
V-Knurled .030"/.035"	193330
.039"/.045", .056"2"/ 1/16"	193331

Changing Polarity

Wire Drive Assembly Lead To Positive (+) Output Terminal

Work Clamp Lead To Negative (-) Output Terminal



Electrode Negative (DCEN): Reverse lead connections at terminals from that shown for gasless flux cored wires (FCAW). Drive assembly becomes negative.

M-10 Consumables

A) Nozzle		
.500 orf flush	#169 715	
B) Tips		
.023/0.6 mm	#087 299	
.030/0.8 mm	#000 067	
.035/0.9 mm	#000 068	
.045/1.1 mm	#000 069	
C) Contact Tip Adapter	#169 716	
D) Retaining Ring	#170 470	
E) Head Tube	#169 718	
Liners		
.023/.025	#194 010	
.030/.035	#194 011	
.035/.045	#194 012	



#199208B

SECTION 5 – MAINTENANCE AND TROUBLESHOOTING

5-1. Routine Maintenance

			▲ Disconnect power before maintaining.
--	--	--	---

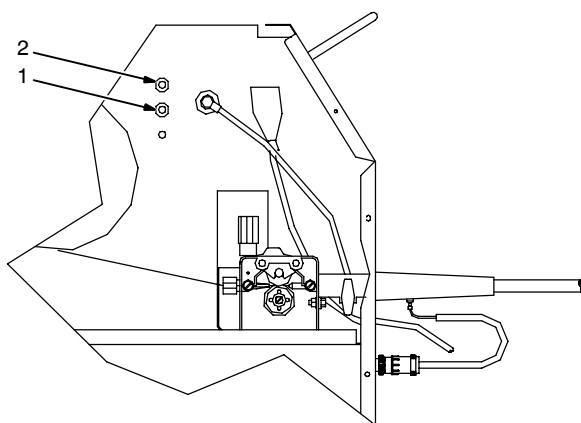
	3 Months	<p>Replace unreadable labels.</p>	<p>Repair or replace cracked weld cable.</p>
--	-----------------	-----------------------------------	--

		<p>Clean and tighten weld terminals.</p>	
--	--	--	--

	6 Months	<p>Blow out or vacuum inside. During heavy service, clean monthly.</p>	<p>Remove drive roll and apply light coat of oil or grease to drive motor shaft.</p>
--	-----------------	--	--

5-2. Supplementary Protectors

--	--	--	--	--



▲ Turn Off unit.

1 Supplementary Protector CB1

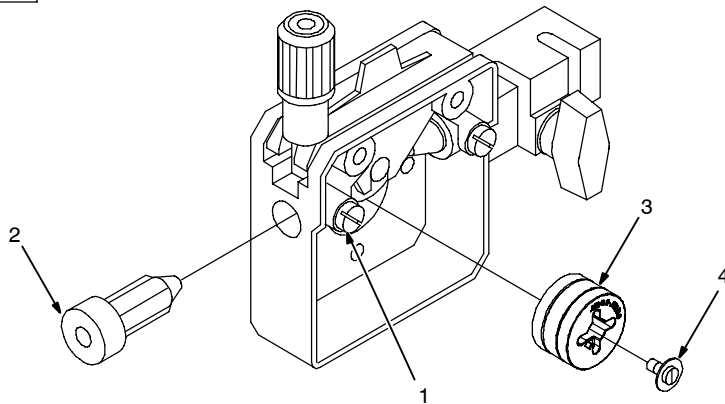
CB1 protects main circuit board PC1 if drive motor shorts or fails. If CB1 opens, wire feeding stops. Check for gun liner blockage or kinks, and check for jammed wire, or binding drive rolls.

2 Supplementary Protector CB2

CB2 protects the trigger circuit from overload. If CB2 opens, weld output stops. Check gun switch, and trigger leads.

Correct problem. Press button to reset supplementary protector. Close door.

5-3. Replacing Drive Roll And Wire Inlet Guide



Tools Needed:



1 Inlet Wire Guide Securing Screw

2 Inlet Wire Guide

Loosen screw. Slide tip as close to drive rolls as possible without touching. Tighten screw.

3 Drive Roll

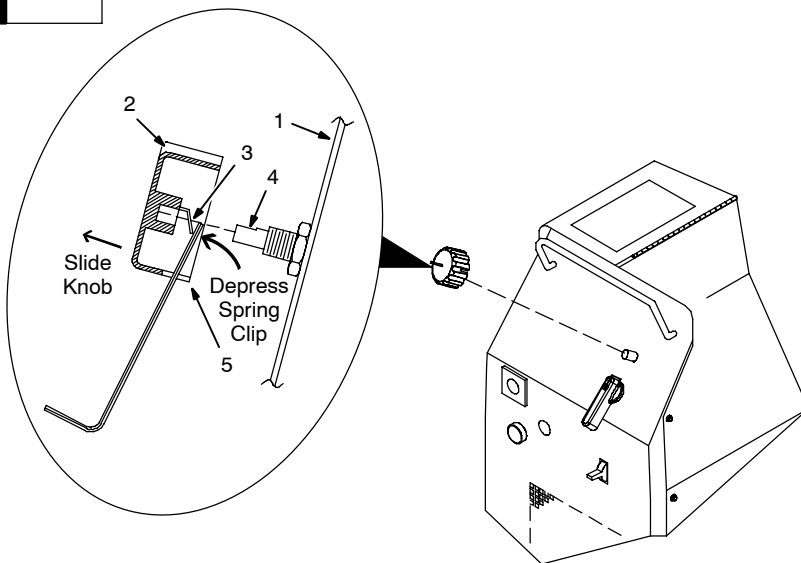
Install correct drive roll for wire size and type.

4 Drive Roll Securing Screw

Secure drive roll with screw as shown.

Ref. 802 601-A

5-4. Removing Knob From Front Panel



▲ Turn Off power.

1 Front Panel

2 Knob

3 Spring Clip

4 Control Shaft

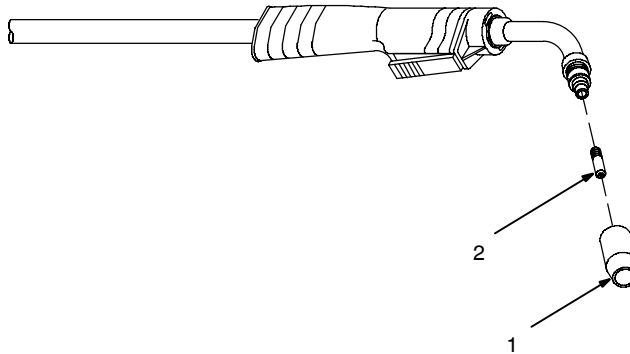
5 Slot

Rotate knob to allow access to slot. Insert Allen wrench (or stiff piece of wire) into slot, and while depressing spring clip, slide knob off control shaft.

To reinstall, push knob fully onto control shaft.

Ref. 803 863-B / 802 280-E

5-5. Replacing Gun Contact Tip



▲ Turn Off power before replacing contact tip.

1 Nozzle

2 Contact Tip

Cut off welding wire at contact tip. Remove nozzle.

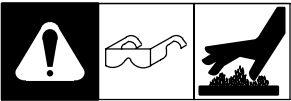
Remove contact tip and install new contact tip. Reinstall nozzle.

Tools Needed:



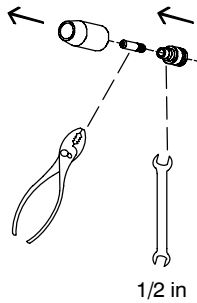
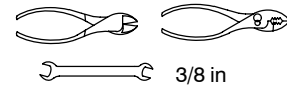
Ref. 802 399-A

5-6. Cleaning Or Replacing Gun Liner

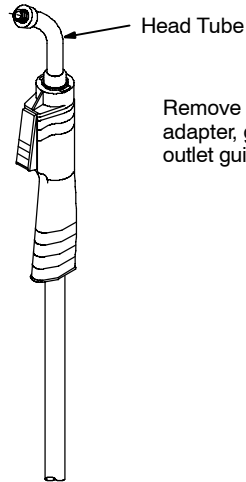


▲ Disconnect gun from unit.

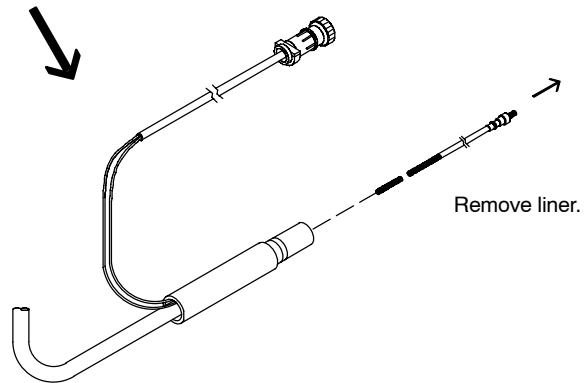
Tools Needed:



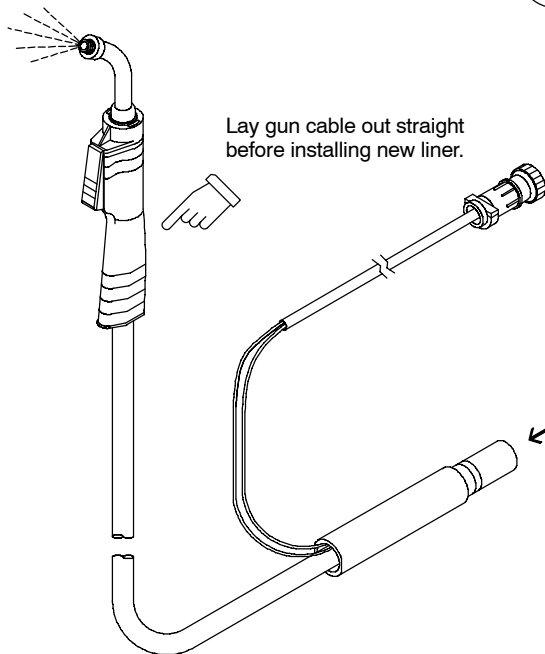
1/2 in



Remove nozzle, contact tip, adapter, gas diffuser, and wire outlet guide.



Remove liner.



Lay gun cable out straight before installing new liner.

Blow out gun casing.

To Reassemble Gun:

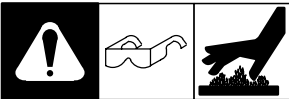
Install and tighten new liner.

Cut liner off 3/4 in (20 mm) (3/8 in [9.5 mm] for aluminum) from head tube.

Install adapter, contact tip, and nozzle.

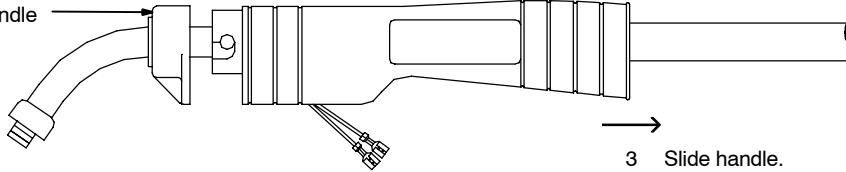
Ref. 802 399-A

5-7. Replacing Switch And/Or Head Tube



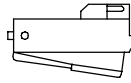
▲ Disconnect gun first.

1 Remove handle locking nut.

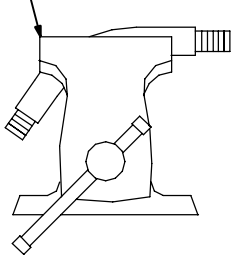


3 Slide handle.

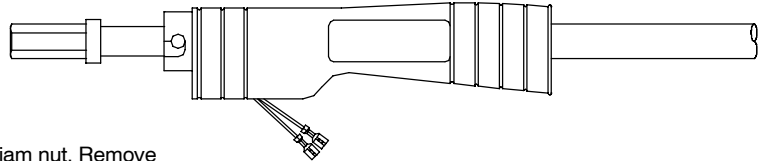
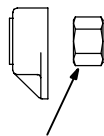
2 Remove switch housing. Note: If installing new switch, push switch lead connectors onto terminal of new switch (polarity is not important). Install switch back into handle, and secure with handle locking nut. If replacing head tube, continue to end of figure.



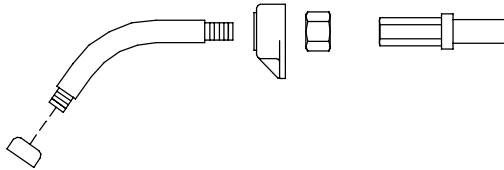
4 Secure head tube in vice.



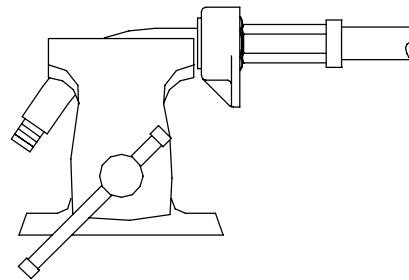
5 Loosen jam nut. Remove from vice and turn head tube out by hand.



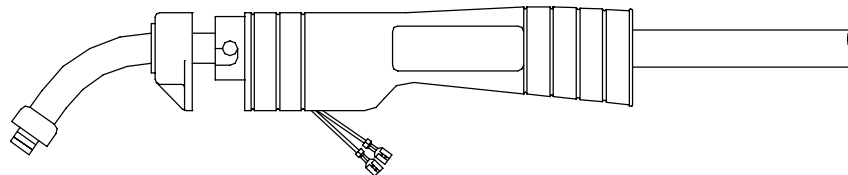
6 Install existing shock washer onto new head tube. Hand-tighten head tube into connector cable.



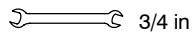
7 Place head tube in vice and tighten until nuts are tight.



8 Remove from vice. Reposition handle and install switch housing. Secure with handle locking nut.



Tools Needed:



Ref. 800 795-C

5-8. Welding Troubleshooting Table



Welding Trouble	Remedy
No weld output; wire does not feed.	Secure power cord plug in receptacle (see Section 3-13).
	Check and replace power switch if necessary.
	Check supplementary protectors CB1 and/or CB2, and reset if necessary (see Section 5-2).
	Replace building line fuse or reset circuit breaker if open (see Section 3-13).
	Secure gun trigger plug in receptacle or repair leads, or replace trigger switch (see Sections 3-5 and/or Parts List).
	Thermostat open (overheating). Allow fan to run; the thermostat will close when the unit has cooled (see Section 3-2).
No weld output; wire feeds.	Connect work clamp to get good metal to metal contact.
	Replace contact tip (see Section 5-5).
Low weld output.	Connect unit to proper input voltage or check for low line voltage (see Section 3-13).
Low, high, or erratic wire speed.	Readjust front panel settings (see Section 4-1).
	Change to correct size drive roll (see Section 5-3).
	Readjust drive roll pressure (see Section 3-14).
	Replace inlet guide, contact tip, and/or liner if necessary (see Sections 5-3, 5-5 and/or 5-6).

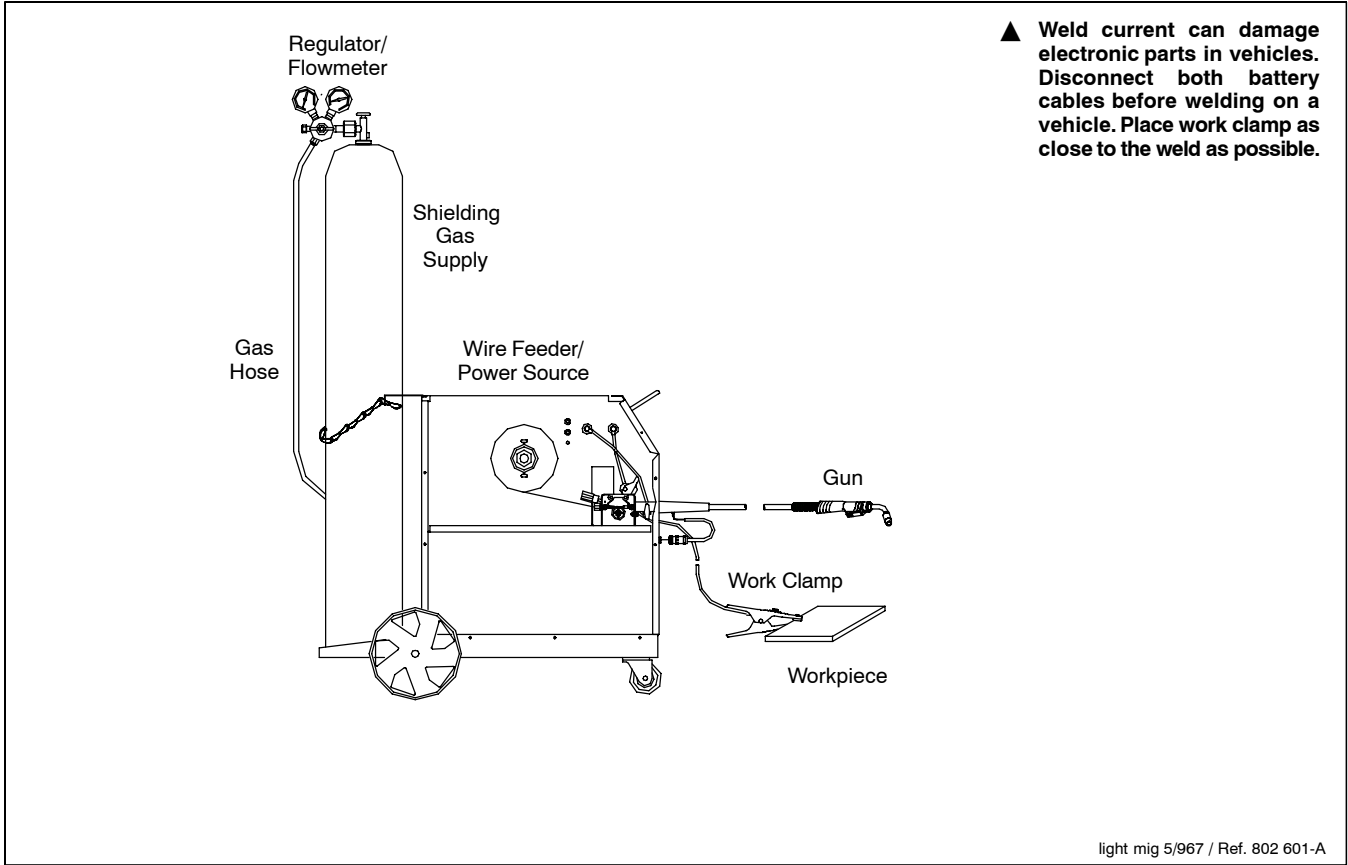
5-9. Wire Drive/Gun Troubleshooting Table

Wire Drive/Gun Trouble	Remedy
Electrode wire feeding stops during welding.	Straighten gun cable and/or replace damaged parts (see Section 5-6).
	Adjust drive roll pressure (see Section 3-14).
	Readjust hub tension (see Section 3-10).
	Check supplementary protectors CB1 and/or CB2, and reset if necessary (see Section 5-2).
	Replace contact tip if blocked (see Section 5-5).
	Clean or replace wire inlet guide or liner if dirty or plugged (see Sections 5-3 and/or 5-6).
	Replace drive roll if worn or slipping (see Section 5-3).
	Secure gun trigger plug in receptacle or repair leads, or replace trigger switch (see Section 3-5 and/or see Parts List).
	Check and clear any restrictions at drive assembly and liner (see Section 5-6).
	Have nearest Factory Authorized Service Agent check drive motor.

SECTION 6 – MIG WELDING (GMAW) GUIDELINES



6-1. Typical MIG Process Connections

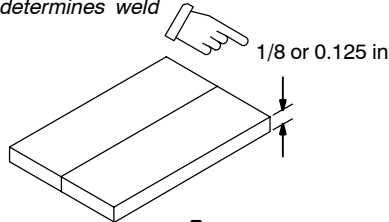


6-2. Typical MIG Process Control Settings

NOTE

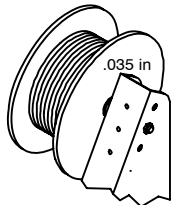
These settings are guidelines only. Material and wire type, joint design, fitup, position, shielding gas, etc. affect settings. Test welds to be sure they comply to specifications.

Material thickness determines weld parameters.



Convert Material Thickness to Amperage (A)

(0.001 in = 1 ampere)
0.125 in = 125 A



Wire Size	Amperage Range
0.023 in	30 – 90 A
0.030 in	40 – 145 A
0.035 in	50 – 180 A

Select Wire Size

Wire Size	Recommendation	Wire Speed (Approx.)
0.023 in	3.5 in per ampere	3.5 x 125 A = 437 ipm
0.030 in	2 in per ampere	2 x 125 A = 250 ipm
0.035 in	1.6 in per ampere	1.6 x 125 A = 200 ipm

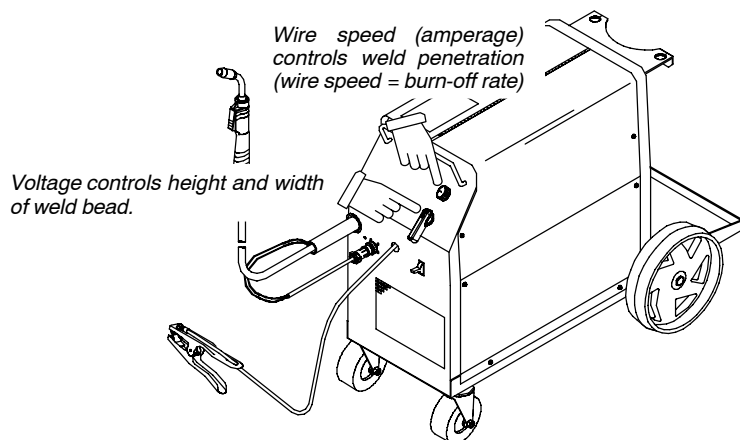
Select Wire Speed (Amperage)

125 A based on 1/8 in material thickness

ipm = inches per minute

Low voltage: wire stubs into work
High voltage: arc is unstable (spatter)
Set voltage midway between high/low voltage

Select Voltage

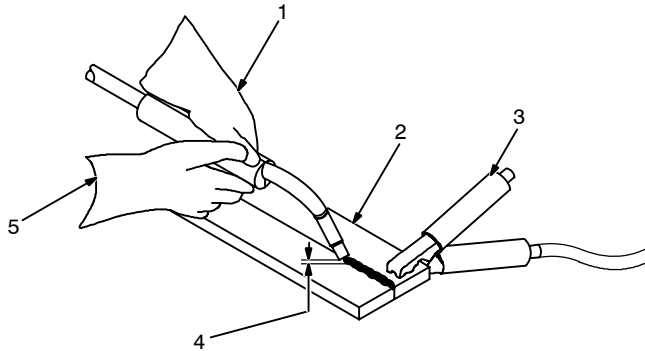


802 600-C

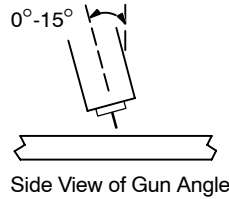
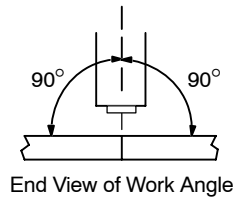
6-3. Holding And Positioning Welding Gun

NOTE

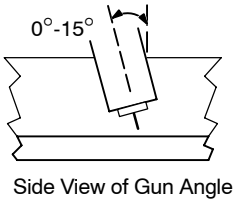
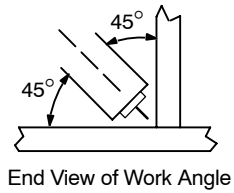
Welding wire is energized when gun trigger is pressed. Before lowering helmet and pressing trigger, be sure wire is no more than 1/2 in (13 mm) past end of nozzle, and tip of wire is positioned correctly on seam.



- 1 Hold Gun and Control Gun Trigger
- 2 Workpiece
- 3 Work Clamp
- 4 Electrode Extension (Stickout) 1/4 to 1/2 in (6 To 13 mm)
- 5 Cradle Gun and Rest Hand on Workpiece



GROOVE WELDS



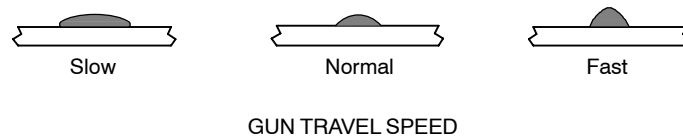
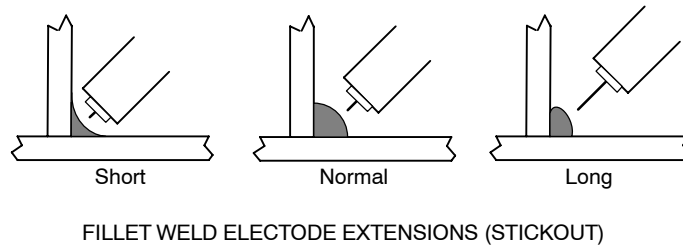
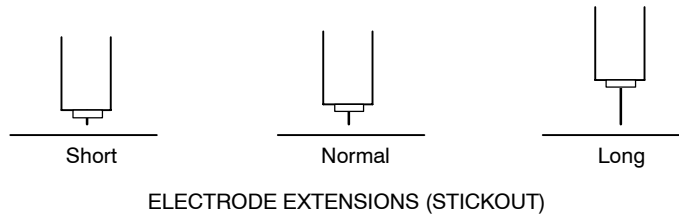
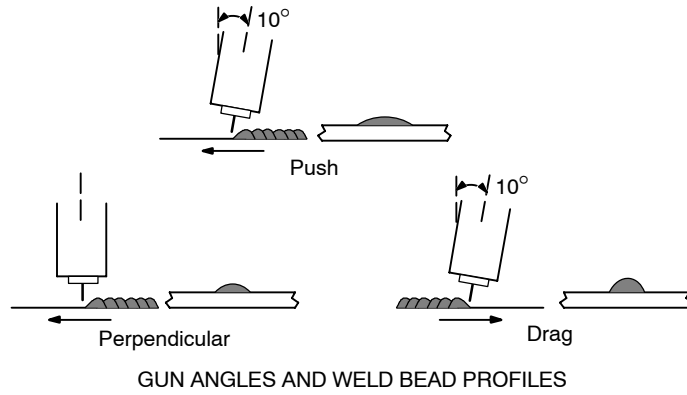
FILLET WELDS

S-0421-A

6-4. Conditions That Affect Weld Bead Shape

NOTE

Weld bead shape depends on gun angle, direction of travel, electrode extension (stickout), travel speed, thickness of base metal, wire feed speed (weld current), and voltage.

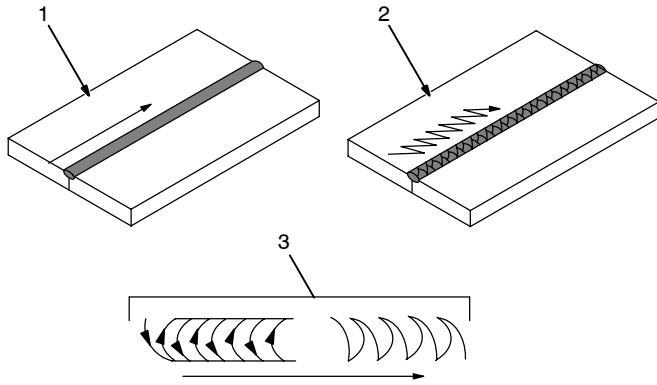


S-0634

6-5. Gun Movement During Welding

NOTE

Normally, a single stringer bead is satisfactory for most narrow groove weld joints; however, for wide groove weld joints or bridging across gaps, a weave bead or multiple stringer beads works better.

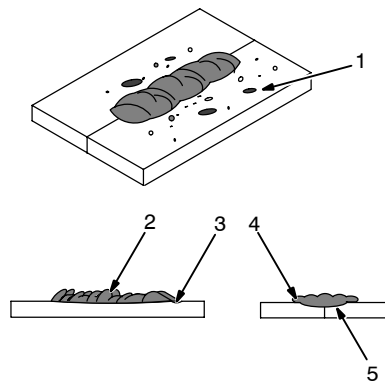


- 1 Stringer Bead – Steady Movement Along Seam
- 2 Weave Bead – Side To Side Movement Along Seam
- 3 Weave Patterns

Use weave patterns to cover a wide area in one pass of the electrode.

S-0054-A

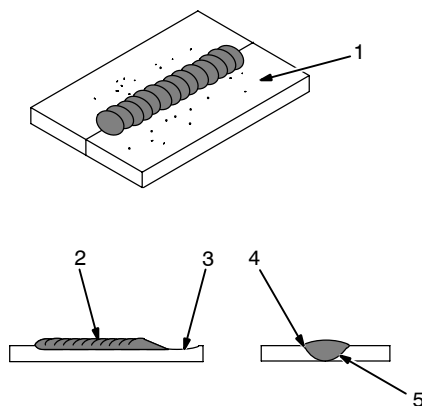
6-6. Poor Weld Bead Characteristics



- 1 Large Spatter Deposits
- 2 Rough, Uneven Bead
- 3 Slight Crater During Welding
- 4 Bad Overlap
- 5 Poor Penetration

S-0053-A

6-7. Good Weld Bead Characteristics



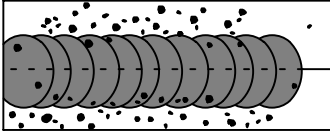
- 1 Fine Spatter
- 2 Uniform Bead
- 3 Moderate Crater During Welding

Weld a new bead or layer for each 1/8 in (3.2 mm) thickness in metals being welded.

- 4 No Overlap
- 5 Good Penetration into Base Metal

S-0052-B

6-8. Troubleshooting – Excessive Spatter

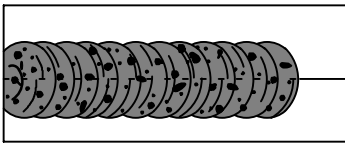


Excessive Spatter – scattering of molten metal particles that cool to solid form near weld bead.

S-0636

Possible Causes	Corrective Actions
Wire feed speed too high.	Select lower wire feed speed.
Voltage too high.	Select lower voltage range.
Electrode extension (stickout) too long.	Use shorter electrode extension (stickout).
Workpiece dirty.	Remove all grease, oil, moisture, rust, paint, undercoating, and dirt from work surface before welding.
Insufficient shielding gas at welding arc.	Increase flow of shielding gas at regulator/flowmeter and/or prevent drafts near welding arc.
Dirty welding wire.	Use clean, dry welding wire.
	Eliminate pickup of oil or lubricant on welding wire from feeder or liner.

6-9. Troubleshooting – Porosity

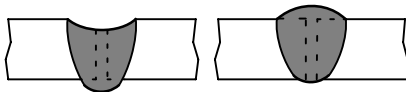


Porosity – small cavities or holes resulting from gas pockets in weld metal.

S-0635

Possible Causes	Corrective Actions
Insufficient shielding gas at welding arc.	Increase flow of shielding gas at regulator/flowmeter and/or prevent drafts near welding arc.
	Remove spatter from gun nozzle.
	Check gas hoses for leaks.
	Place nozzle 1/4 to 1/2 in (6-13 mm) from workpiece.
	Hold gun near bead at end of weld until molten metal solidifies.
Wrong gas.	Use welding grade shielding gas; change to different gas.
Dirty welding wire.	Use clean, dry welding wire.
	Eliminate pick up of oil or lubricant on welding wire from feeder or liner.
Workpiece dirty.	Remove all grease, oil, moisture, rust, paint, coatings, and dirt from work surface before welding.
	Use a more highly deoxidizing welding wire (contact supplier).
Welding wire extends too far out of nozzle.	Be sure welding wire extends not more than 1/2 in (13 mm) beyond nozzle.

6-10. Troubleshooting – Excessive Penetration



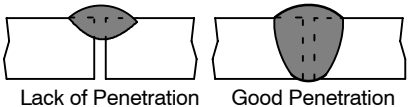
Excessive Penetration Good Penetration

Excessive Penetration – weld metal melting through base metal and hanging underneath weld.

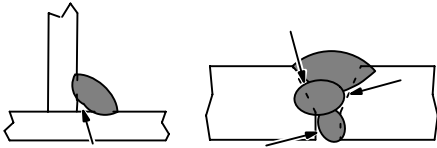
S-0639

Possible Causes	Corrective Actions
Excessive heat input.	Select lower voltage range and reduce wire feed speed.
	Increase travel speed.

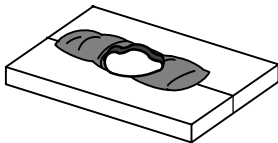
6-11. Troubleshooting – Lack Of Penetration

 <p>Lack of Penetration Good Penetration</p>		<p>Lack Of Penetration – shallow fusion between weld metal and base metal.</p>	S-0638
Possible Causes	Corrective Actions		
Improper joint preparation.	Material too thick. Joint preparation and design must provide access to bottom of groove while maintaining proper welding wire extension and arc characteristics.		
Improper weld technique.	Maintain normal gun angle of 0 to 15 degrees to achieve maximum penetration.		
	Keep arc on leading edge of weld puddle.		
	Be sure welding wire extends not more than 1/2 in (13 mm) beyond nozzle.		
Insufficient heat input.	Select higher wire feed speed and/or select higher voltage range.		
	Reduce travel speed.		

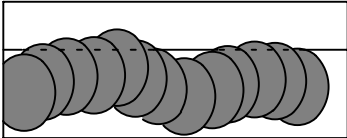
6-12. Troubleshooting – Incomplete Fusion

		<p>Incomplete Fusion – failure of weld metal to fuse completely with base metal or a preceding weld bead.</p>	S-0637
Possible Causes	Corrective Actions		
Workpiece dirty.	Remove all grease, oil, moisture, rust, paint, undercoating, and dirt from work surface before welding.		
Insufficient heat input.	Select higher voltage range and/or adjust wire feed speed.		
Improper welding technique.	Place stringer bead in proper location(s) at joint during welding.		
	Adjust work angle or widen groove to access bottom during welding.		
	Momentarily hold arc on groove side walls when using weaving technique.		
	Keep arc on leading edge of weld puddle.		
	Use correct gun angle of 0 to 15 degrees.		

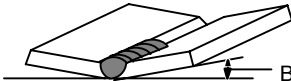
6-13. Troubleshooting – Burn-Through

		<p>Burn-Through – weld metal melting completely through base metal resulting in holes where no metal remains.</p>	S-0640
Possible Causes	Corrective Actions		
Excessive heat input.	Select lower voltage range and reduce wire feed speed.		
	Increase and/or maintain steady travel speed.		

6-14. Troubleshooting – Waviness Of Bead

		<p>Waviness Of Bead – weld metal that is not parallel and does not cover joint formed by base metal.</p>	S-0641
Possible Causes		Corrective Actions	
Welding wire extends too far out of nozzle.		Be sure welding wire extends not more than 1/2 in (13 mm) beyond nozzle.	
Unsteady hand.		Support hand on solid surface or use two hands.	

6-15. Troubleshooting – Distortion

		<p>Distortion – contraction of weld metal during welding that forces base metal to move.</p>	S-0642
<p>Base metal moves in the direction of the weld bead.</p>			
Possible Causes		Corrective Actions	
Excessive heat input.		Use restraint (clamp) to hold base metal in position.	
		Make tack welds along joint before starting welding operation.	
		Select lower voltage range and/or reduce wire feed speed.	
		Increase travel speed.	
		Weld in small segments and allow cooling between welds.	

6-16. Common MIG Shielding Gases

This is a general chart for common gases and where they are used. Many different combinations (mixtures) of shielding gases have been developed over the years. The most commonly used shielding gases are listed in the following table.

Gas	Application			
	Spray Arc Steel	Short Circuiting Steel	Short Circuiting Stainless Steel	Aluminum
Argon				X
Argon + 25% CO ₂		X		
80% or greater Argon + balance CO ₂ or Oxygen	X	X ¹		
100% CO ₂		X		
Tri-Mix ²			X	

1 Limited short circuiting use


2 90% HE + 7-1/2% AR + 2-1/2% CO₂

6-17. Troubleshooting Guide For Semiautomatic Welding Equipment

Problem	Probable Cause	Remedy
Wire feed motor operates, but wire does not feed.	Too little pressure on wire feed rolls.	Increase pressure setting on wire feed rolls.
	Incorrect wire feed rolls.	Check size stamped on wire feed rolls, replace to match wire size and type if necessary.
	Wire spool brake pressure too high.	Decrease brake pressure on wire spool.
	Restriction in the gun and/or assembly.	Check and replace cable, gun, and contact tip if damaged. Check size of contact tip and cable liner, replace if necessary.
Wire curling up in front of the wire feed rolls (bird nesting).	Too much pressure on wire feed rolls.	Decrease pressure setting on wire feed rolls.
	Incorrect cable liner or gun contact tip size.	Check size of contact tip and check cable liner length and diameter, replace if necessary.
	Gun end not inserted into drive housing properly.	Loosen gun securing bolt in drive housing and push gun end into housing just enough so it does not touch wire feed rolls.
	Dirty or damaged (kinked) liner.	Replace liner.
Wire feeds, but no gas flows.	Gas cylinder empty.	Replace empty gas cylinder.
	Gas nozzle plugged.	Clean or replace gas nozzle.
	Gas cylinder valve not open or flowmeter not adjusted.	Open gas valve at cylinder and adjust flow rate.
	Restriction in gas line.	Check gas hose between flowmeter and wire feeder, and gas hose in gun and cable assembly.
	Loose or broken wires to gas solenoid.	Have Factory Authorized Service Agent repair wiring.
	Gas solenoid valve not operating.	Have Factory Authorized Service Agent replace gas solenoid valve.
	Incorrect primary voltage connected to welding power source.	Check primary voltage and relink welding power source for correct voltage.

Problem	Probable Cause	Remedy
Welding arc not stable.	Wire slipping in drive rolls.	Adjust pressure setting on wire feed rolls. Replace worn drive rolls if necessary.
	Wrong size gun liner or contact tip.	Match liner and contact tip to wire size and type.
	Incorrect voltage setting for selected wire feed speed on welding power source.	Readjust welding parameters.
	Loose connections at the gun weld cable or work cable.	Check and tighten all connections.
	Gun in poor shape or loose connection inside gun.	Repair or replace gun as necessary.

SECTION 7 – ELECTRICAL DIAGRAM

 WARNING ELECTRIC SHOCK HAZARD	<ul style="list-style-type: none"> Do not touch live electrical parts. Disconnect input power or stop engine before servicing. Do not operate with covers removed. Have only qualified persons install, use, or service this unit.
---	--

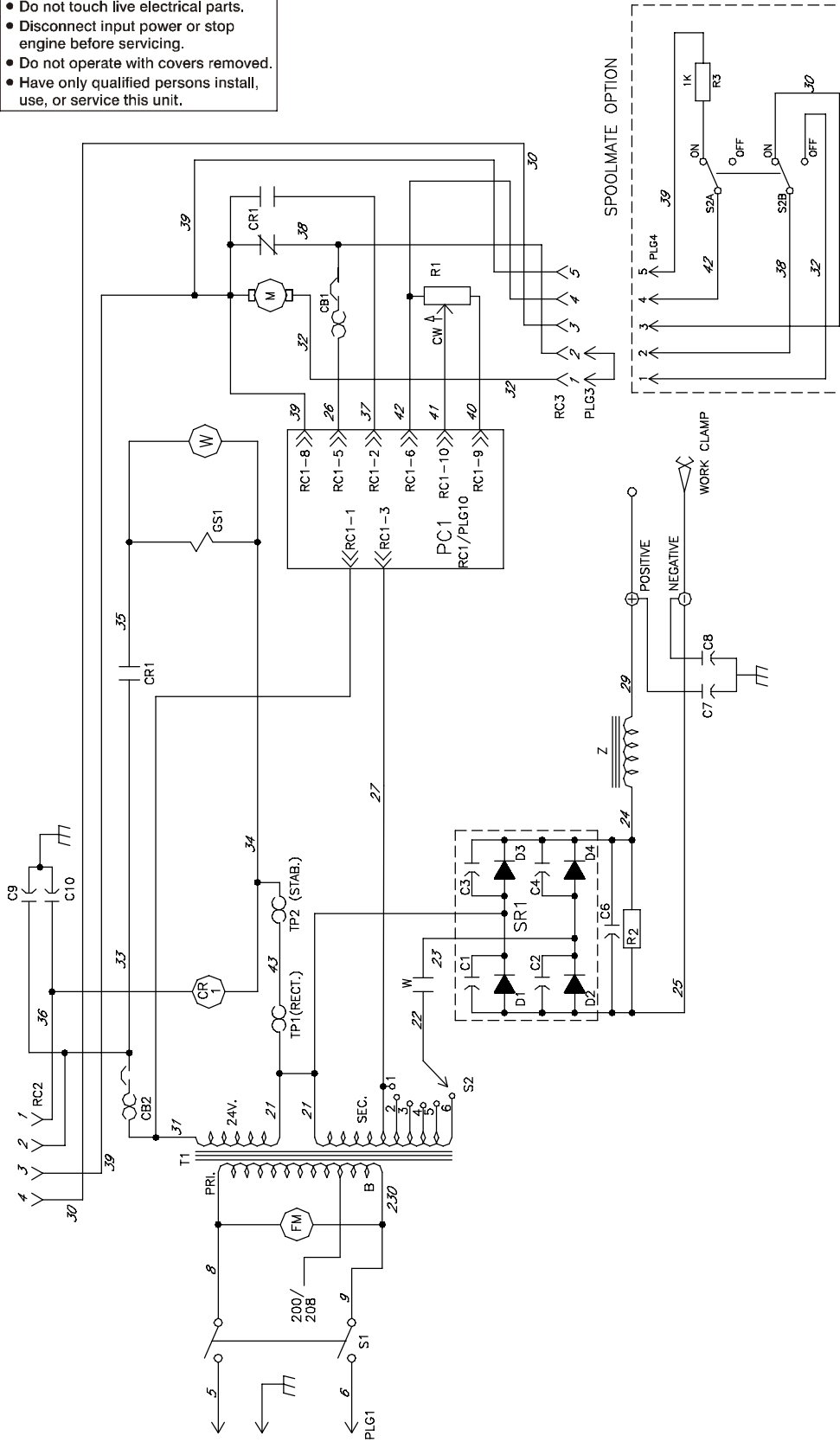



Figure 7-1. Circuit Diagram For Welding Power Source

SECTION 8 – PARTS LIST

 Hardware is common and not available unless listed.

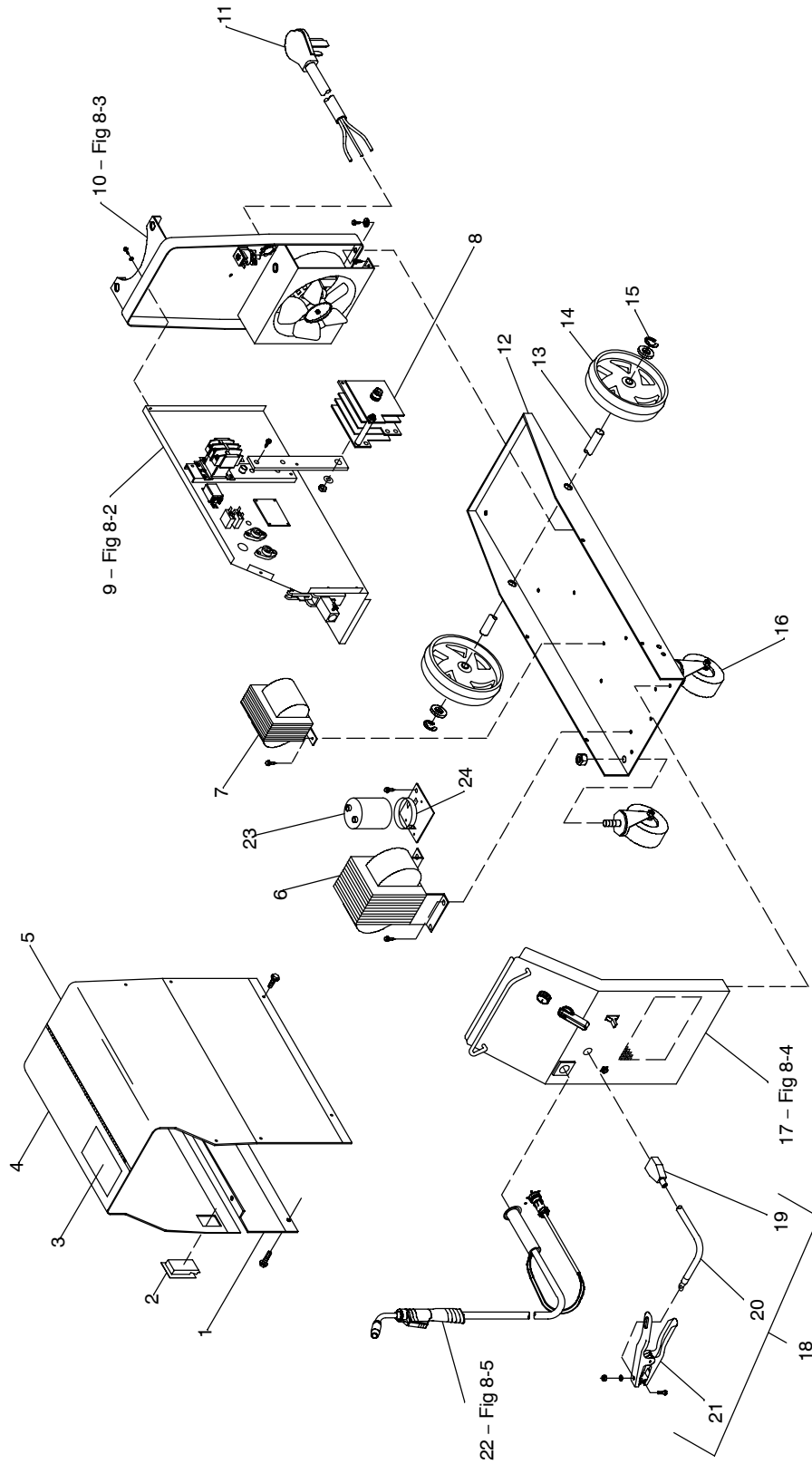


Figure 8-1. Main Assembly

Item No.	Dia. Mkgs.	Part No.	Description	Quantity
----------	------------	----------	-------------	----------

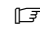
Figure 8-1. Main Assembly

...	1	203 481	.. PANEL, side lower	1
...	2	151 187	.. LATCH, side flush	2
...	3	134 464	.. LABEL, warning general precautionary	1
...	4	+205 868	.. DOOR ASSEMBLY	1
...		199 208	.. LABEL, parameter/consumables/polarity	1
...	5	205 867	.. WRAPPER	1
...	6	T1 .. 202 077	.. TRANSFORMER, pwr main 200/230	1
...	7	Z ... 199 220	.. STABILIZER (including)	1
...		TP2 .. 213 414	... THERMOSTAT, NC	1
...	8	SR1 .. 199 188	.. RECTIFIER (including)	1
...		TP1 .. 604 515	... THERMOSTAT, NC, open 211F, close 186F	1
...	9	Fig 8-2	.. CENTER BAFFLE w/components	1
...	10	Fig 8-3	.. PANEL, rear w/components	1
...	11	PLG1 .. 199 192	.. CORD SET, 250V 6-50p 12ga 3/c	1
...	12	146 161	.. BASE	1
...	13	135 390	.. AXLE	1
...	14	186 758	.. WHEEL	2
...	15	121 614	.. RING, retaining	2
...	16	209 870	.. CASTER, swvl 4.00 in X 1.250 in poly-olefin	2
...	17	Fig 8-4	.. PANEL, front w/components	1
...	18	196 328	.. CABLE, work 10' no. 3 w/clamp & boot (including)	1
...	19	196 318	... CABLE COVER	1
...	20	146 149	... CABLE	1
...	21	130 750	... CLAMP, work	1
...	22	195 605	.. GUN, M-10 (8-5)	1
...	23	199 187	.. CAPACITOR, elctlt 120000uf 35VDC	1
...	24	022 160	.. CLAMP, capacitor	1
...		220 747	.. REGULATOR/FLOWMETER, 10-50 CFH ARGON/CO2	1
...		183 581	.. HOSE, gas 5 ft	1
...		◆212 492	.. REGULATOR/FLOWMETER, 10-50 CFH CO ₂	1

+When ordering a component originally displaying a precautionary label, the label should also be ordered.

◆OPTIONAL

To maintain the factory original performance of your equipment, use only Manufacturer's Suggested Replacement Parts. Model and serial number required when ordering parts from your local distributor.

 Hardware is common and not available unless listed.

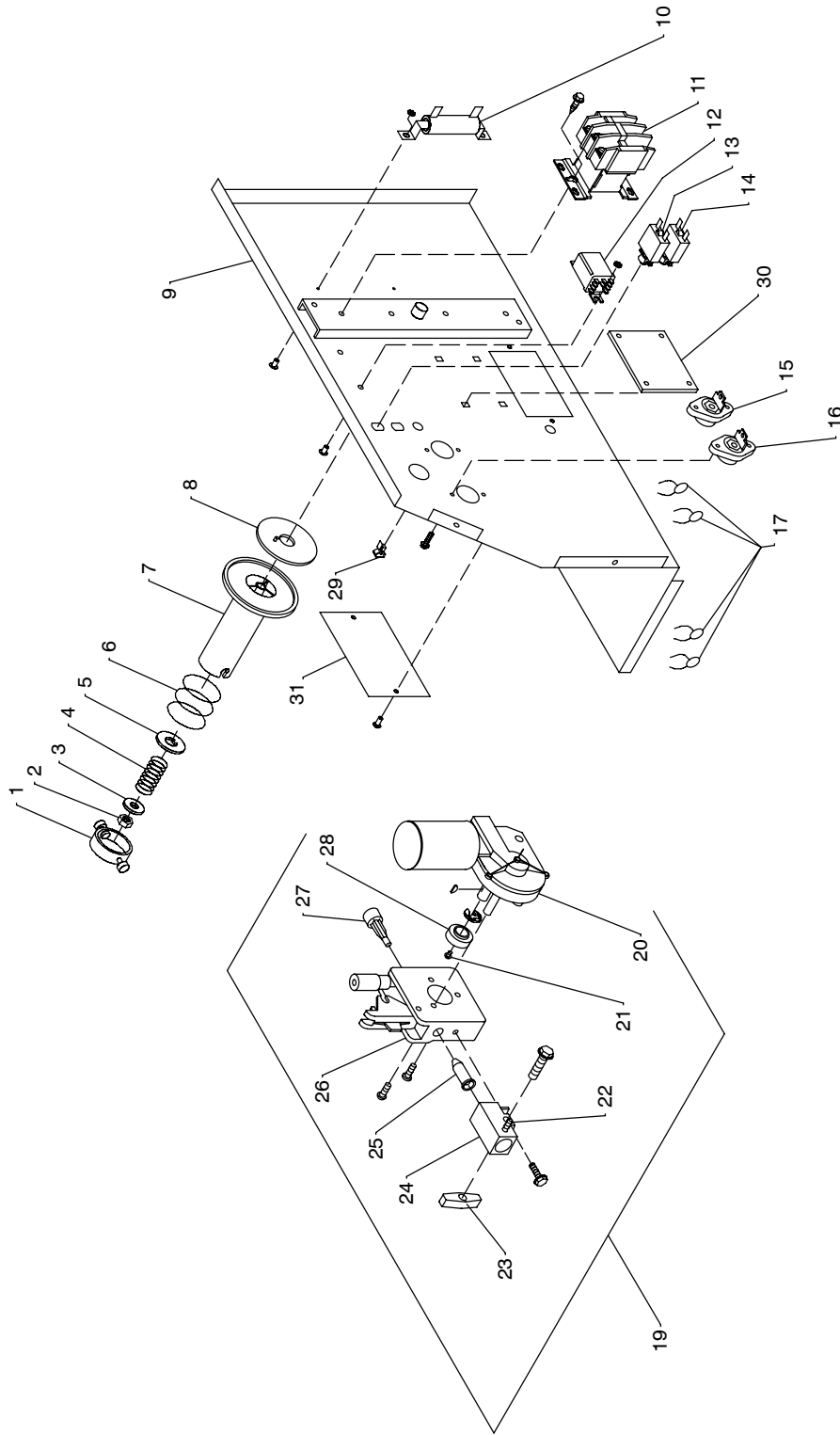


Figure 8-2. Center Baffle w/Components

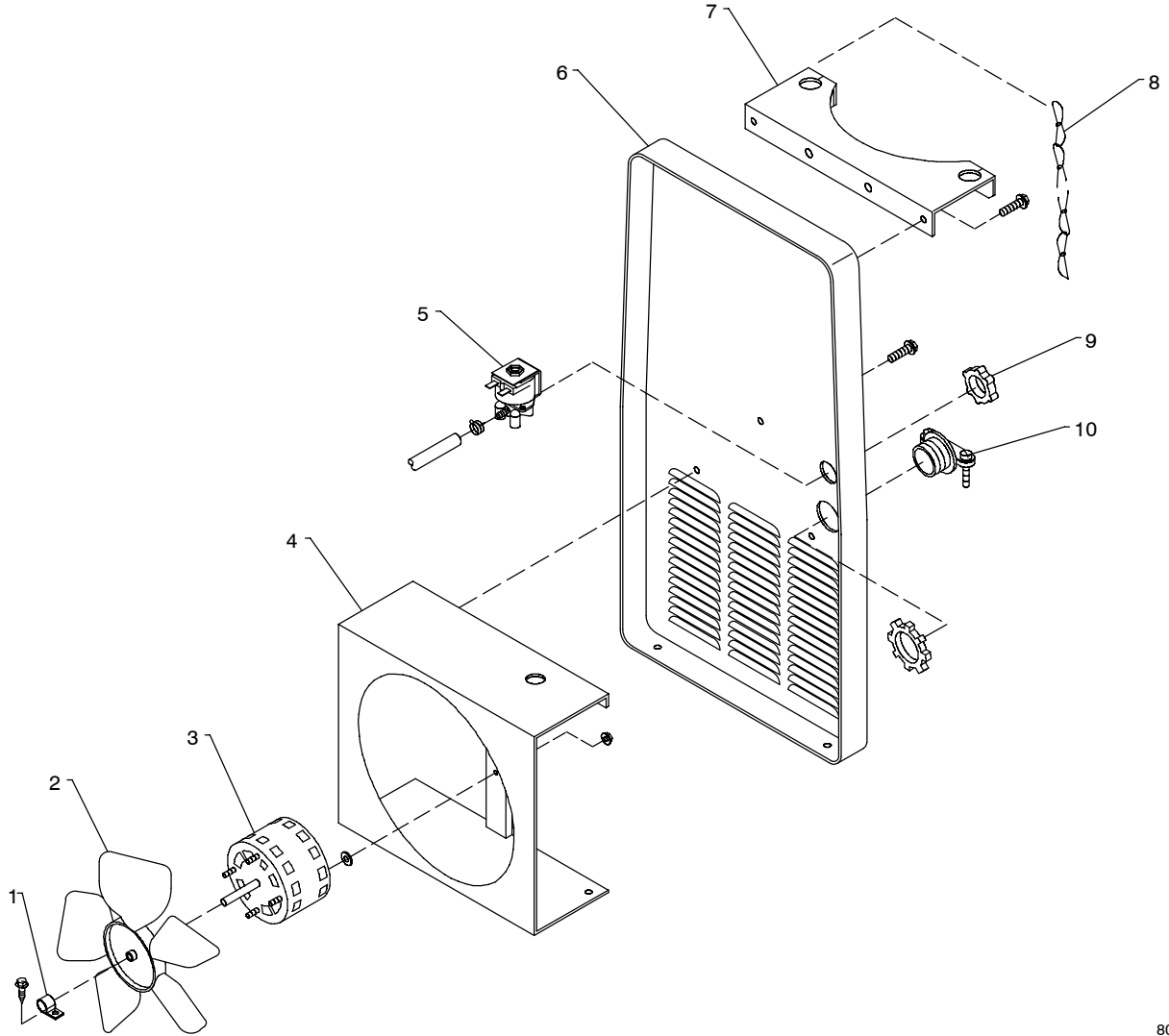
802 603-B

Item No.	Dia. Mkgs.	Part No.	Description	Quantity
Figure 8-2. Center Baffle w/Components (Fig 8-1 Item 9)				
...	1	058 427	RING, retaining spool	1
...	2	085 980	NUT, 625-11 .94 hex	1
...	3	605 941	WASHER, flat	1
...	4	186 437	SPRING, cprsn .84500 x .110W	1
...	5	057 971	WASHER, flat .632 ID x 1.500 OD x .12	1
...	6	057 745	SPRING, cprsn 2.430 OD x .90 wire x 2.500	1
...	7	186 435	HUB, spool	1
...	8	186 436	WASHER, brake plastic	1
...	9	197 521	BAFFLE, center	1
...		198425	CAP, finishing 1.19 X .37	2
...		198426	WASHER, cap	2
...	10 R2	091 685	RESISTOR	1
...	11 W	189 486	CONTACTOR, DEF PRP, (including)	1
...		034 260	LINKS, connecting contactor terminal	2
...	12 CR1	072 817	RELAY, encl 24VAC DPDT	1
...	13 CB2	180 912	SUPPLEMENTARY PROTECTOR, man reset 1P 5A 250V	1
...	14 CB1	183 492	SUPPLEMENTARY PROTECTOR, man reset 1P 10A 250V	1
...	15	039 047	TERMINAL, pwr output red w/nut	1
...	16	039 046	TERMINAL, pwr output black w/nut	1
...	17 C7-10	136 735	CAPACITOR, .1 uf 500 v	4
...	19	199 191	DRIVE ASSEMBLY, wire, (including)	1
...	20	199 215	MOTOR, gear	1
...	21	203 081	SCREW, feedroll	1
...	22	079 633	FITTING, hose brs barbed nipple	1
...	23	126 652	KNOB, T 2.000 bar	1
...	24	193 681	BLOCK, connector gun	1
...	25	184 735	GUIDE, wire adapter	1
...	26	184 741	HEAD, feed	1
...	27	197 309	GUIDE, inlet 1.2-1.6 mm wire	1
...	28	202 925	ROLL, drive V groove 024, .030-.035	1
...	28	◆407 230-004	ROLL, feed .024" and .045"	1
...	28	◆193 330	ROLL, drive VK groove .030-.035 wire	1
...	28	◆193 331	ROLL, drive VK groove .039-.045/.052-1/16 wire	1
...	29	134 201	STAND-OFF SUPPORT, PC card	4
...	30 PC1	171 986	CIRCUIT CARD ASSEMBLY, control	1
...		165 745	HOUSING PLUG & PINS	1
...	31	184 965	COVER	1

◆OPTIONAL

To maintain the factory original performance of your equipment, use only Manufacturer's Suggested Replacement Parts. Model and serial number required when ordering parts from your local distributor.

☐ Hardware is common and not available unless listed.



802 283

Figure 8-3. Rear Panel w/Components

Item No.	Dia. Mkgs.	Part No.	Description	Quantity
----------	------------	----------	-------------	----------

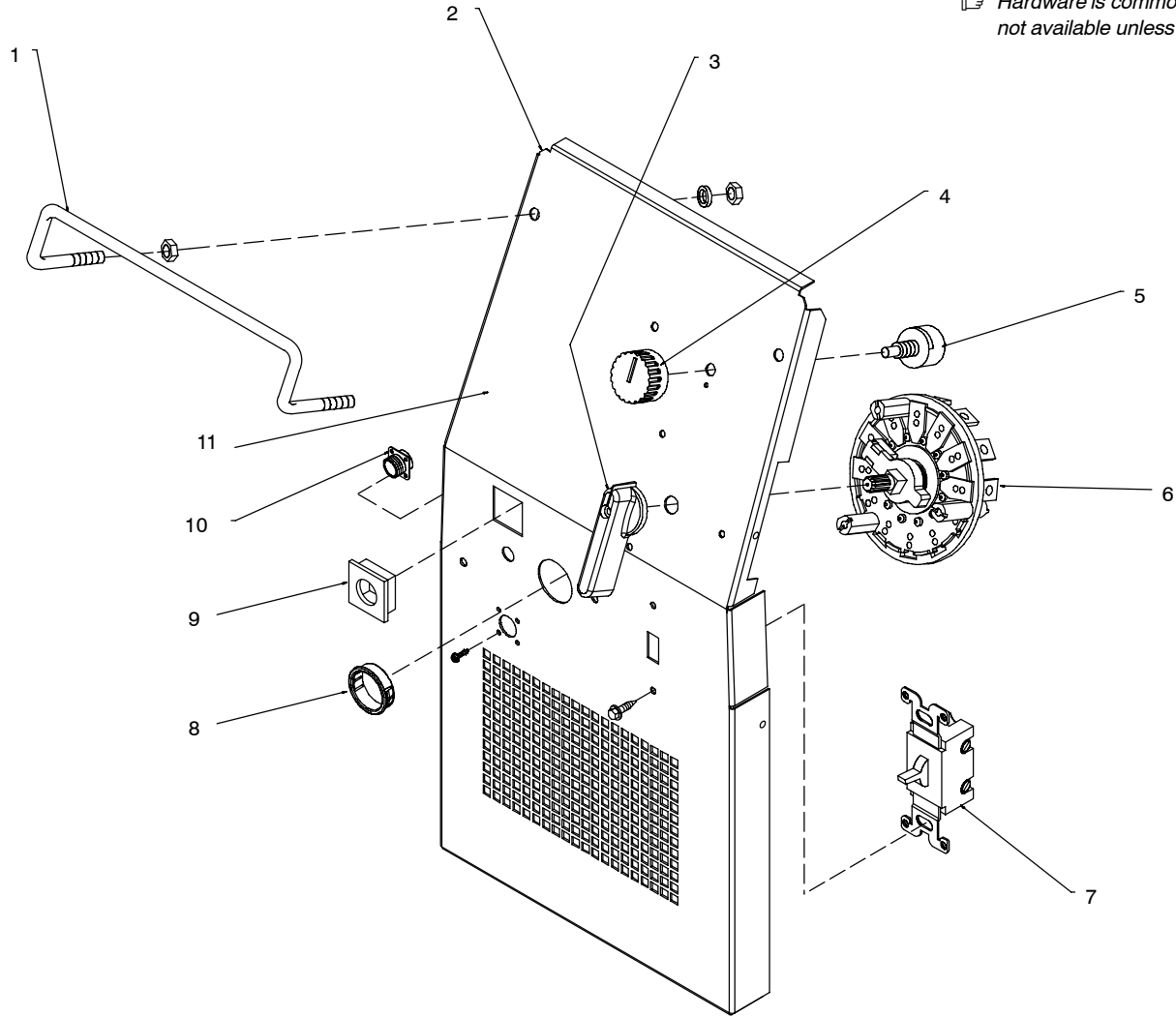
Figure 8-3. Rear Panel w/Components (Fig 8-1 Item 10)

...	1	049 399	.. NUT, 312-18 push-on	1
...	2	148 809	.. FAN, 9 in 5wg 34 deg	1
...	3	M	188 706 .. MOTOR, fan 230V 50/60 Hz	1
...	4	203 711	.. WINDTUNNEL, 9in	1
...	5	216 396	.. VALVE, 24 VAC 2 way custom port 1/8 orf w/frict	1
...	6	203 478	.. PANEL, rear	1
...	7	+200 179	.. BRACKET, support tank	1
...		137 653	.. LABEL, warning	1
...	8	188 441	.. CHAIN, safety	1
...	9	137 761	.. NUT, 750 NPT 1.31 hex .27 H nyl blk	1
...	10	604 102	.. CONN, clamp cable	1

+When ordering a component originally displaying a precautionary label, the label should also be ordered.

To maintain the factory original performance of your equipment, use only Manufacturer's Suggested Replacement Parts. Model and serial number required when ordering parts from your local distributor.

☐ Hardware is common and not available unless listed.



802 604-D

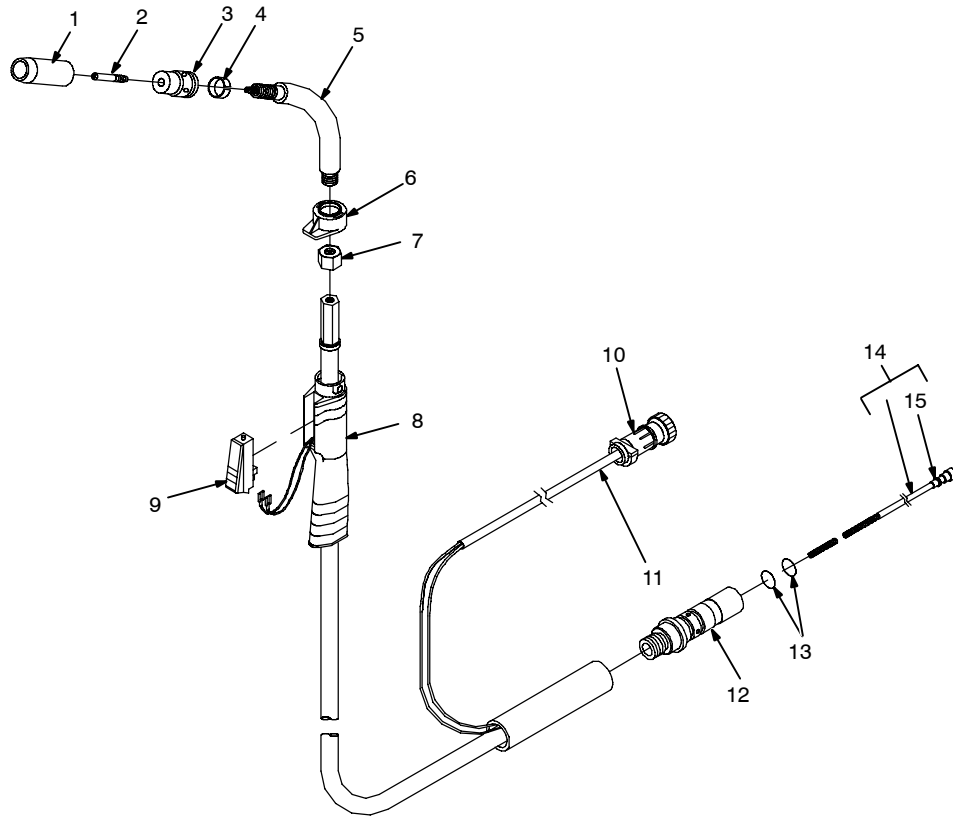
Figure 8-4. Front Panel w/Components

Item No.	Dia. Mkgs.	Part No.	Description	Quantity
----------	------------	----------	-------------	----------

Figure 8-4. Front Panel w/Components (Fig 8-1 Item 17)

...	1	143 974	HANDLE	1
...	2	206 589	PANEL, front	1
...	3	207 074	HANDLE, switch	1
...		136 343	SCREW, K50X 20 pan hd-phl stl pld pt thread forming	1
...	4	207 077	KNOB	1
...	5	208 207	POTENTIOMETER, CP flat 1/T 2W 1K linear (wire feed speed)	1
...	6	S2 226 603	SWITCH, selector 6 position	1
...		228 166	SCREW, 010-24X2.00 pan hd-phl stl pld trilob thdfmg	3
...	7	S1 124 511	SWITCH, tgl DPST 40A 600 VAC	1
...	8	170 647	BUSHING, snap-in nyl	1
...	9	204 413	BUSHING, snap-in nyl	1
...	10	048 282	RECEPTACLE W/SOCKETS	1
...	11	199 206	LABEL, nameplate	1

To maintain the factory original performance of your equipment, use only Manufacturer's Suggested Replacement Parts. Model and serial number required when ordering parts from your local distributor.



802 388-B

Figure 8-5. M-10 Gun

Item No.	Part No.	Description	Quantity
Figure 8-5. M-10 Gun (Fig 8-1 Item 20)			
...	1	169 715 .. NOZZLE, slip type .500 orf flush	1
...	2	◆087 299 .. TIP, contact scr .023 wire x 1.125	
...	2	◆000 067 .. TIP, contact scr .030 wire x 1.125	
...	2	◆000 068 .. TIP, contact scr .035 wire x 1.125	
...	2	◆000 069 .. TIP, contact scr .045 wire x 1.125	
...	3	169 716 .. ADAPTER, contact tip	1
...	4	170 470 .. RING, retaining	1
...	5	169 718 .. TUBE, head	1
...	6	169 738 .. NUT, locking handle	1
...	7	169 719 .. NUT, jam	1
...	8	169 737 .. HANDLE	1
...	9	227 798 .. SWITCH, trigger	1
...	10	079 878 .. HOUSING PLUG & PINS	1
...	11	227 800 .. CORD, trigger assembly	1
...	12	209 495 .. CONNECTOR, feeder	1
...	13	079 974 .. O-RING, .500 ID x .103CS rbr	2
...	14	◆194 010 .. LINER, monocoil .023/.025 wire x 15ft (consisting of)	1
...	14	◆194 011 .. LINER, monocoil .030/.035 wire x 15ft (consisting of)	1
...	14	◆194 012 .. LINER, monocoil .035/.045 wire x 15ft (consisting of)	1
...	15	079 975 O-RING, .187 ID x .103CS rbr	1

◆ **OPTIONAL**

To maintain the factory original performance of your equipment, use only Manufacturer's Suggested Replacement Parts. Model and serial number required when ordering parts from your local distributor.

Item No.	Dia. Mkgs.	Part No.	Description	Quantity
Optional Spool Gun Switch				
.....		186 420 ..	SWITCH ASSY	1
.....		202 449 ..	PLATE, switch	1
.....		605 510 ..	CABLE TIE	1
.....		604 804 ..	SCREW, 008-15x.37 hexwhd-pln	2
.....		202 910 ..	LABEL, spoolgun/mig gun	1

To maintain the factory original performance of your equipment, use only Manufacturer's Suggested Replacement Parts. Model and serial number required when ordering parts from your local distributor.

Table 8-1. Accessories

PART NO.	DESCRIPTION	REMARKS
042 758	Dual Bottle Rack Kit	Converts Single Cylinder Rack To Dual Rack
225 273	8 in Spool Spacer	Aligns Narrow Spools With Feed Head
212 492	Regulator/Flowmeter	For Use With 100% CO ₂ Shielding Gas
300 143	Spool Gun 3035-20	Provides Excellent Feeding Of Aluminum Wire

HOBART 5/3/1 WARRANTY

Effective January 1, 2006

5/3/1 WARRANTY applies to all Hobart welding equipment, plasma cutters and spot welders with a serial number preface LG or newer.

This limited warranty supersedes all previous Hobart warranties and is exclusive with no other guarantees or warranties expressed or implied.

Hobart products are serviced by Hobart or Miller Authorized Service Agencies.

LIMITED WARRANTY – Subject to the terms and conditions below, Hobart/Miller Electric Mfg. Co., Appleton, Wisconsin, warrants to its original retail purchaser that new Hobart equipment sold after the effective date of this limited warranty is free of defects in material and workmanship at the time it is shipped by Hobart. THIS WARRANTY IS EXPRESSLY IN LIEU OF ALL OTHER WARRANTIES, EXPRESS OR IMPLIED, INCLUDING THE WARRANTIES OF MERCHANTABILITY AND FITNESS.

Within the warranty periods listed below, Hobart/Miller will repair or replace any warranted parts or components that fail due to such defects in material or workmanship. Hobart/Miller must be notified in writing within thirty (30) days of such defect or failure, at which time Hobart/Miller will provide instructions on the warranty claim procedures to be followed.

Hobart/Miller shall honor warranty claims on warranted equipment listed below in the event of such a failure within the warranty time periods. All warranty time periods start on the date that the equipment was delivered to the original retail purchaser, or one year after the equipment is sent to a North American distributor or eighteen months after the equipment is sent to an International distributor.

1. 5 Years — Parts and Labor
 - * Original Main Power Rectifiers
 - * Transformers
 - * Stabilizers
 - * Reactors
2. 3 Years — Parts and Labor
 - * Drive Systems
 - * PC Boards
 - * Rotors, Stators and Brushes
 - * Idle Module
 - * Solenoid Valves
 - * Switches and Controls
 - * Spot Welder Transformer
3. 1 Year — Parts and Labor Unless Specified (90 days for industrial use)
 - * Motor-Driven Guns
 - * MIG Guns/TIG Torches
 - * Relays
 - * Contactors
 - * Regulators
 - * Water Coolant Systems
 - * Flowgauge and Flowmeter Regulators (No Labor)
 - * HF Units
 - * Running Gear/Trailers
 - * Plasma Cutting Torches
 - * Remote Controls
 - * Replacement Parts (No labor) – 90 days
 - * Accessories
 - * Field Options
(NOTE: Field options are covered for the remaining warranty period of the product they are installed in, or for a minimum of one year — whichever is greater.)
4. Engines, batteries and tires are warranted separately by the manufacturer.

Hobart's 5/3/1 Limited Warranty shall not apply to:

1. **Consumable components such as contact tips, cutting nozzles, slip rings, drive rolls, gas diffusers, plasma torch tips and electrodes, weld cables, and tongs and tips, or parts that fail due to normal wear.** (Exception: brushes, slip rings, and relays are covered on Hobart Engine-Driven models.)
2. Items furnished by Hobart/Miller, but manufactured by others, such as engines or trade accessories. These items are covered by the manufacturer's warranty, if any.
3. Equipment that has been modified by any party other than Hobart/Miller, or equipment that has been improperly installed, improperly operated or misused based upon industry standards, or equipment which has not had reasonable and necessary maintenance, or equipment which has been used for operation outside of the specifications for the equipment.

HOBART PRODUCTS ARE INTENDED FOR PURCHASE AND USE BY COMMERCIAL/INDUSTRIAL USERS AND PERSONS TRAINED AND EXPERIENCED IN THE USE AND MAINTENANCE OF WELDING EQUIPMENT.

In the event of a warranty claim covered by this warranty, the exclusive remedies shall be, at Hobart's/Miller's option: (1) repair; or (2) replacement; or, where authorized in writing by Hobart/Miller in appropriate cases, (3) the reasonable cost of repair or replacement at an authorized Hobart/Miller service station; or (4) payment of or credit for the purchase price (less reasonable depreciation based upon actual use) upon return of the goods at customer's risk and expense. Hobart's/Miller's option of repair or replacement will be F.O.B., Factory at Appleton, Wisconsin, or F.O.B. at a Hobart/Miller authorized service facility as determined by Hobart/Miller. Therefore no compensation or reimbursement for transportation costs of any kind will be allowed.

TO THE EXTENT PERMITTED BY LAW, THE REMEDIES PROVIDED HEREIN ARE THE SOLE AND EXCLUSIVE REMEDIES. IN NO EVENT SHALL HOBART/MILLER BE LIABLE FOR DIRECT, INDIRECT, SPECIAL, INCIDENTAL OR CONSEQUENTIAL DAMAGES (INCLUDING LOSS OF PROFIT), WHETHER BASED ON CONTRACT, TORT OR ANY OTHER LEGAL THEORY.

ANY EXPRESS WARRANTY NOT PROVIDED HEREIN AND ANY IMPLIED WARRANTY, GUARANTY OR REPRESENTATION AS TO PERFORMANCE, AND ANY REMEDY FOR BREACH OF CONTRACT TORT OR ANY OTHER LEGAL THEORY WHICH, BUT FOR THIS PROVISION, MIGHT ARISE BY IMPLICATION, OPERATION OF LAW, CUSTOM OF TRADE OR COURSE OF DEALING, INCLUDING ANY IMPLIED WARRANTY OF MERCHANTABILITY OR FITNESS FOR PARTICULAR PURPOSE, WITH RESPECT TO ANY AND ALL EQUIPMENT FURNISHED BY HOBART/MILLER IS EXCLUDED AND DISCLAIMED BY Hobart/Miller.

Some states in the U.S.A. do not allow limitations of how long an implied warranty lasts, or the exclusion of incidental, indirect, special or consequential damages, so the above limitation or exclusion may not apply to you. This warranty provides specific legal rights, and other rights may be available, but may vary from state to state.

In Canada, legislation in some provinces provides for certain additional warranties or remedies other than as stated herein, and to the extent that they may not be waived, the limitations and exclusions set out above may not apply. This Limited Warranty provides specific legal rights, and other rights may be available, but may vary from province to province.

Warranty Questions?

Call

1-800-332-3281

7 AM – 6 PM EST

Service

You always get the fast, reliable response you need. Most replacement parts can be in your hands in 24 hours.

Support

Need fast answers to the tough welding questions? Contact your distributor or call 1-800-332-3281. The expertise of the distributor and Hobart is there to help you, every step of the way.

Assistance

Visit the Hobart website:
www.HobartWelders.com





Owner's Record

Please complete and retain with your personal records.

Model Name	Serial/Style Number
Purchase Date	(Date which equipment was delivered to original customer.)
Distributor	
Address	
City	
State	Zip



Resources Available

Always provide Model Name and Serial/Style Number.

To locate a Distributor, retail or service location:

Call 1-877-Hobart1 or visit our website at www.HobartWelders.com

For technical assistance:

Call 1-800-332-3281

Contact your Distributor for:

- Welding Supplies and Consumables
- Options and Accessories
- Personal Safety Equipment
- Service and Repair
- Replacement Parts
- Training (Schools, Videos, Books)
- Technical Manuals (Servicing Information and Parts)
- Circuit Diagrams
- Welding Process Handbooks

Contact the Delivering Carrier to:

File a claim for loss or damage during shipment.

For assistance in filing or settling claims, contact your distributor and/or equipment manufacturer's Transportation Department.

Protect Your Investment!



Register your product at:
HobartWelders.com

Hobart Welding Products

An Illinois Tool Works Company
600 West Main Street
Troy, OH 45373 USA

For Technical Assistance:

Call 1-800-332-3281
For Literature Or Nearest Dealer:
Call 1-877-Hobart1

