

ISO724x High-Speed, Quad-Channel Digital Isolators

1 Features

- 25 and 150-Mbps Signaling Rate Options
 - Low Channel-to-Channel Output Skew; 1 ns Max
 - Low Pulse-Width Distortion (PWD); 2 ns Max
 - Low Jitter Content; 1 ns Typ at 150 Mbps
- Selectable Default Output (ISO7240CF)
- > 25-Year Life at Rated Working Voltage (See Application Note [SLLA197](#) and [Figure 16](#))
- 4 kV ESD Protection
- Operates With 3.3-V or 5-V Supplies
- High Electromagnetic Immunity (See Application Report [SLLA181](#))
- –40°C to 125°C Operating Temperature Range
- Safety and Regulatory Approvals:
 - VDE 4000 V_{PK} Basic Insulation per DIN V VDE V 0884-10 (VDE V 0884-10):2006-12
 - 2.5 kV_{RMS} Isulation for 1 minute per UL 1577
 - CSA Component Acceptance Notice #5A and IEC 60950-1 End Equipment Standard

2 Applications

- Industrial Fieldbus
- Computer Peripheral Interface
- Servo Control Interface
- Data Acquisition

3 Description

The ISO7240, ISO7241 and ISO7242 are quad-channel digital isolators with multiple channel configurations and output enable functions. These devices have logic input and output buffers separated by TI's silicon dioxide (SiO₂) isolation barrier. Used in conjunction with isolated power supplies, these devices block high voltage, isolate grounds, and prevent noise currents from entering the local ground and interfering with or damaging sensitive circuitry.

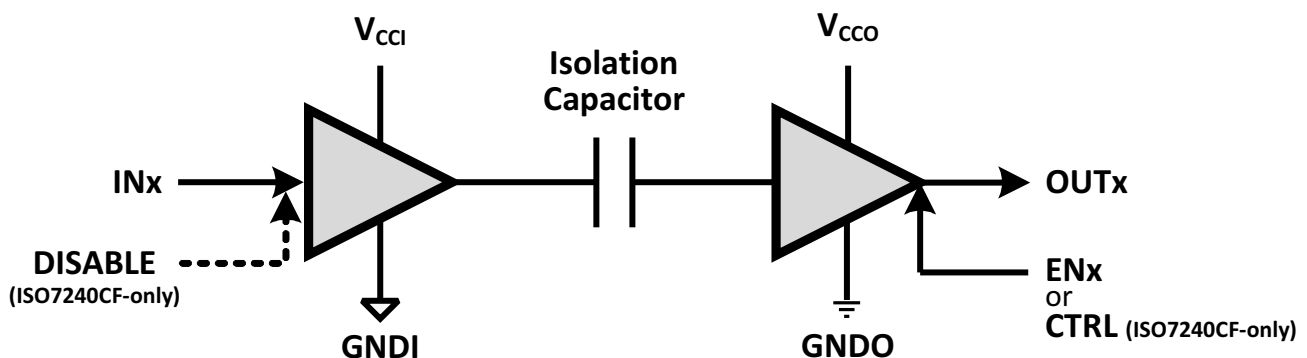
The ISO7240 has all four channels in the same direction while the ISO7241 has three channels in the same direction and one channel in opposition. The ISO7242 has two channels in each direction.

Device Information⁽¹⁾

PART NUMBER	PACKAGE	BODY SIZE (NOM)
ISO7240CF	SOIC (16)	10.30 mm x 7.50 mm
ISO7240C		
ISO7240M		
ISO7241C		
ISO7241M		
ISO7242C		
ISO7242M		

(1) For all available packages, see the orderable addendum at the end of the datasheet.

Simplified Schematic



(1) V_{CCI} and GNDI are supply and ground connections respectively for the input channels.

(2) V_{CCO} and GNDO are supply and ground connections respectively for the output channels.



Table of Contents

1 Features	1	Operation	16
2 Applications	1	7.13 Typical Characteristics	17
3 Description	1	8 Parameter Measurement Information	19
4 Revision History	2	9 Detailed Description	22
5 Description (Continued)	6	9.1 Overview	22
6 Pin Configurations and Functions	7	9.2 Functional Block Diagram	22
7 Specifications	8	9.3 Feature Description	23
7.1 Absolute Maximum Ratings	8	9.4 Device Functional Modes	26
7.2 ESD Ratings	8	10 Application and Implementation	27
7.3 Recommended Operating Conditions	8	10.1 Application Information	27
7.4 Thermal Information	9	10.2 Typical Application	27
7.5 Electrical Characteristics: V_{CC1} and V_{CC2} at 5-V Operation	9	11 Power Supply Recommendations	33
7.6 Electrical Characteristics: V_{CC1} at 5-V, V_{CC2} at 3.3-V Operation	10	12 Layout	33
7.7 Electrical Characteristics: V_{CC1} at 3.3-V, V_{CC2} at 5-V Operation	11	12.1 Layout Guidelines	33
7.8 Electrical Characteristics: V_{CC1} and V_{CC2} at 3.3 V Operation	12	12.2 Layout Example	33
7.9 Switching Characteristics: V_{CC1} and V_{CC2} at 5-V Operation	13	13 Device and Documentation Support	34
7.10 Switching Characteristics: V_{CC1} at 5-V, V_{CC2} at 3.3-V Operation	14	13.1 Device Support	34
7.11 Switching Characteristics: V_{CC1} at 3.3-V and V_{CC2} at 5-V Operation	15	13.2 Documentation Support	36
7.12 Switching Characteristics: V_{CC1} and V_{CC2} at 3.3-V		13.3 Related Links	36
		13.4 Trademarks	36
		13.5 Electrostatic Discharge Caution	36
		13.6 Glossary	36
		14 Mechanical, Packaging, and Orderable Information	36

4 Revision History

NOTE: Page numbers for previous revisions may differ from page numbers in the current version.

Changes from Revision Q (January 2015) to Revision R	Page
• Changed Features From: "Basic Isolation per DIN EN 60747-5-5 (VDE 0884-5) & DIN EN 61010-1" To: "Basic Insulation per DIN V VDE V 0884-10 (VDE V 0884-10):2006-12"	1
• Changed V_{CC1} To V_{CC1} , V_{CC2} To V_{CCO} , GND1 To GNDI, and GND2 To GNDO, and added Notes 1 and 2 to the Simplified Schematic	1
• Changed V_{OH} MIN values From: $V_{CC} - 0.8$ To: $V_{CCO} - 0.8$ and $V_{CC} - 0.1$ To: $V_{CCO} - 0.1$ in the Electrical Characteristics: V_{CC1} and V_{CC2} at 5-V⁽²⁾ Operation	9
• Changed V_{OH} Test Condition ISO7240 To: 3.3-V side and the MIN value From: $V_{CC} - 0.4$ To $V_{CCO} - 0.4$ in the Electrical Characteristics: V_{CC1} at 5-V, V_{CC2} at 3.3-V⁽³⁾ Operation	10
• Changed V_{OH} Test Condition ISO724x (5-V side) To: 5-V side and the MIN value From: $V_{CC} - 0.8$ To: $V_{CCO} - 0.8$ in the Electrical Characteristics: V_{CC1} at 5-V, V_{CC2} at 3.3-V⁽³⁾ Operation	10
• Changed V_{OH} , Test Condition $I_{OH} = -20 \mu A$ MIN value From: $V_{CC} - 0.1$ To $V_{CCO} - 0.1$ in the Electrical Characteristics: V_{CC1} at 5-V, V_{CC2} at 3.3-V⁽³⁾ Operation	10
• Changed V_{OH} Test Condition ISO7240 To: 3.3-V side and the MIN value From: $V_{CC} - 0.4$ To $V_{CCO} - 0.4$ in the Electrical Characteristics: V_{CC1} at 3.3-V, V_{CC2} at 5-V⁽⁴⁾ Operation	11
• Changed V_{OH} Test Condition ISO724x (5-V side) To: 5-V side and the MIN value From: $V_{CC} - 0.8$ To: $V_{CCO} - 0.8$ in the Electrical Characteristics: V_{CC1} at 3.3-V, V_{CC2} at 5-V⁽⁴⁾ Operation	11
• Changed V_{OH} , Test Condition $I_{OH} = -20 \mu A$ MIN value From: $V_{CC} - 0.1$ To $V_{CCO} - 0.1$ in the Electrical Characteristics: V_{CC1} at 3.3-V, V_{CC2} at 5-V⁽⁴⁾ Operation	11
• Changed V_{OH} MIN values From: $V_{CC} - 0.4$ To: $V_{CCO} - 0.4$ and $V_{CC} - 0.1$ To: $V_{CCO} - 0.1$ in the Electrical Characteristics: V_{CC1} and V_{CC2} at 3.3 V⁽⁵⁾ Operation	12
• Changed V_{CC1} To: V_{CC1} and V_{CC2} To: V_{CCO} in Figure 13	21
• Changed section title From: <i>DIN EN 60747-5-5 Insulation Characteristics</i> To: <i>DIN V VDE V 0884-10 (VDE V 0884-</i>	

Revision History (continued)

10):2006-1 <i>Insulation Characteristics</i> ⁽¹⁾	23
• Changed R _S Test Conditions From: V _{IO} = 500 V at T _S To: V _{IO} = 500 V at T _S = 150°C in the <i>DIN V VDE V 0884-10 (VDE V 0884-10):2006-1 Insulation Characteristics</i> ⁽⁶⁾ table.....	23
• Changed the CTI Test Conditions From: IEC 60112/VDE 0303 Part 1 To: DIN EN 60112 (VDE 0303-11); IEC 60112 in the <i>Package Characteristics</i> table	23
• Deleted C _I - Input capacitance to ground from the <i>Package Characteristics</i> table	23
• Changed title From: <i>IEC Safety Limiting Values</i> To: <i>Safety Limiting Values</i>	24
• Changed Figure 17 title From: <i>Thermal Derating Curve per DIN EN 60747-5-5</i> To: <i>Thermal Derating Curve per VDE</i>	24
• Changed "DIN EN 60747-5-5 & DIN EN 61010-1" To: DIN V VDE V 0884-10 (VDE V 0884-10):2006-12 and DIN EN 61010-1 (VDE 0411-1): 2011-07 in the <i>Regulatory Information</i> table.....	25

(1) Climatic Classification 40/125/21

Changes from Revision P (August 2014) to Revision Q
Page

• Changed the V _I MAX value in the <i>Absolute Maximum Ratings</i> table From: 6 V To: V _{CC} + 0.5 V	8
• Added Note 3 to the <i>Absolute Maximum Ratings</i> table.....	8
• Changed the <i>Handling Rating</i> table to the <i>ESD Ratings</i> table.	8
• Moved T _{STG} - Storage From the <i>ESD Ratings</i> table to the <i>Absolute Maximum Ratings</i> table	8
• Added one row to Table 2 . Values: X, PD, X, X, X, Undetermined	26
• Added one row to Table 3 . Values: X, PD, X, X, X, Undetermined	26
• Changed Figure 18 labels From: "ISO7240CF Input" To: "ISO7240CF Input, Disable" and From: "Enable" To: "Enable, Control"	26

Changes from Revision O (November 2012) to Revision P
Page

• Added <i>Pin Configuration and Functions</i> section, <i>Handling Rating</i> table, <i>Feature Description</i> section, <i>Device Functional Modes</i> , <i>Application and Implementation</i> section, <i>Power Supply Recommendations</i> section, <i>Layout</i> section, <i>Device and Documentation Support</i> section, and <i>Mechanical, Packaging, and Orderable Information</i> section	1
• Changed ISO7241C minimum supply from 2.8 V to 3.15 V	8

Changes from Revision N (January 2012) to Revision O
Page

• Added the <i>Safety Limiting Values</i> section.....	24
--	----

Changes from Revision M (January 2011) to Revision N
Page

• Changed Feature From: Operates 3.3-V or 5-V Supplies To: Operates With 2.8-V (ISO7241C), 3.3-V or 5-V Supplies	1
• Added device options to V _{CC} in the RECOMMENDED OPERATING CONDITIONS table	8
• Changed Table Note (1).....	8
• Changed I _{CC1} and I _{CC2} test conditions in the V _{CC1} and V _{CC2} at 5-V <i>Electrical Characteristics: V_{CC1} and V_{CC2} at 5-V</i> ⁽²⁾ <i>Operation</i> table	9
• Changed Table Note (1).....	9
• Changed I _{CC1} and I _{CC2} test conditions in the V _{CC1} at 5-V, V _{CC2} at 3.3-V <i>Electrical Characteristics: V_{CC1} at 5-V, V_{CC2} at 3.3-V</i> ⁽³⁾ <i>Operation</i> table	10
• Changed Table Note (1).....	10
• Changed I _{CC1} and I _{CC2} test conditions in the V _{CC1} at 3.3-V, V _{CC2} at 5-V <i>Electrical Characteristics: V_{CC1} at 3.3-V, V_{CC2} at 5-V</i> ⁽⁴⁾ <i>Operation</i> table	11
• Changed Table Note (1).....	11

• Changed I_{CC1} and I_{CC2} test conditions in the V_{CC1} and V_{CC2} at 3.3 V table	12
• Added ELECTRICAL and Switching CHARACTERISTICS tables for V_{CC1} and V_{CC2} at 2.8V (ISO722xC-only).....	12
• Changed Table Note (1)	12
• Changed Figure 6 From V_{CC1} Failsafe Threshold To: V_{CC} Undervoltage Threshold.....	17
• Changed the CTI MIN value From: ≥ 175 V To: ≥ 400 V	23
• Changed the Regulatory Information table.....	25

Changes from Revision L (January 2010) to Revision M
Page

• Changed Figure 9 , Figure 11 , and Figure 12	19
• Changed the CSA File Number From: 1698195 To: 220991	25

Changes from Revision K (December 2009) to Revision L
Page

• Added the IEC 60747-5-2 INSULATION CHARACTERISTIC table.....	23
• Added the IEC 60664-1 RATINGS TABLE	23
• Added CTI - Tracking resistance (comparative tracking index to the Package Characteristics table.....	23

Changes from Revision J (April 2009) to Revision K
Page

• Changed the Input circuit in the DEVICE I/O SCHEMATICS illustration	1
• Added Note 1 to LI01), and changed the MIN value From: 8.34 To 8 mm in the Package Characteristics table	23
• Added Note 1 to LI02), and changed the MIN value From: 8.1 To 8 mm in the Package Characteristics table	23

Changes from Revision I (December 2008) to Revision J
Page

• Changed I_{CC1} for Quiescent and 1Mbps From: 10mA To: 11mA	9
• Changed I_{CC1} for Quiescent and 1Mbps From: 10mA To: 11mA	10

Changes from Revision G (July 2008) to Revision H
Page

• Added Device number ISO7240CF.....	1
• Added Features Bullet: Selectable Failsafe Output (ISO7240CF)	1
• Changed description paragraph 4 text.	6
• Changed V_I in the <i>Absolute Maximum Ratings</i> table From: Voltage at IN, OUT, EN To: Voltage at IN, OUT, EN, DISABLE, CTRL	8
• Added t_{wake} , Wake time from input disable	13
• Added t_{wake} , Wake time from input disable	14
• Added t_{wake} , Wake time from input disable	15
• Added t_{wake} , Wake time from input disable	16

Changes from Revision F (May 2008) to Revision G
Page

• Changed the Package Characteristics table, line , $L_{(I01)}$ MIN value from 7.7mm to 8.34mm.....	23
---	----

Changes from Revision E (May 2008) to Revision F	Page
Deleted ISO724xA devices. See SLLS905 for the ISO7240A, ISO7241A, and ISO7242A.....	1
Changed Title From: QUAD DIGITAL ISOLATORS To: HIGH SPEED QUAD DIGITAL ISOLATORS.....	1
Changed Feature Low Jitter Content - From: 1, 25, and 150-Mbps Signaling Rate Options To: 25, and 150-Mbps Signaling Rate Options.....	1
Added $t_{sk(pp)}$ footnote.....	13
Added $t_{sk(o)}$ footnote.....	13
Added $t_{sk(pp)}$ footnote.....	16
Added $t_{sk(o)}$ footnote.....	16

Changes from Revision D (April 2008) to Revision E	Page
Added Table Note (1): For the 5-V operation, V_{CC1} or V_{CC2} is specified from 4.5 V to 5.5 V.....	8
Added Table Note (1): For the 5-V operation, V_{CC1} or V_{CC2} is specified from 4.5 V to 5.5 V.....	10
Added Table Note (1): For the 5-V operation, V_{CC1} or V_{CC2} is specified from 4.5 V to 5.5 V.....	11
Added Table Note (1): For the 5-V operation, V_{CC1} or V_{CC2} is specified from 4.5 V to 5.5 V.....	12

Changes from Revision C (April 2008) to Revision D	Page
Added $t_{sk(pp)}$ Part-to-part skew.....	13
Added $t_{sk(pp)}$ Part-to-part skew.....	14
Added $t_{sk(pp)}$ Part-to-part skew.....	15
Added $t_{sk(pp)}$ Part-to-part skew.....	16
Changed Typical ISO724x Application Circuit Figure 19	27

Changes from Revision B (August 2008) to Revision C	Page
Deleted Min = 4.5 V and max = 5.5 V for Supply Voltage of the ROC Table.....	8
Changed V_{CC} Supply Voltage in the ROC Table From: 3.6 To: 5.5.....	8

Changes from Revision A (December 2007) to Revision B	Page
Changed V_{CC} Supply Voltage in the ROC Table From: 3.45 To: 3.6.....	8

Changes from Original (September 2007) to Revision A	Page
Changed V_{CC} Supply Voltage in the ROC Table From: 3.6 To: 3.45.....	8
Changed V_{CC} Supply Voltage in the ROC Table From: 3 To: 3.15.....	8
Changed TBDs to actual values.....	9
Changed C_1 - typ value From: 1 To: 2 in the <i>Electrical Characteristics: V_{CC1} and V_{CC2} at 5-V⁽²⁾ Operation</i>	9
Changed C_1 - typ value From: 1 To: 2 in the <i>Electrical Characteristics: V_{CC1} at 5-V, V_{CC2} at 3.3-V⁽³⁾ Operation</i>	10
Changed C_1 - typ value From: 1 To: 2 in the <i>Electrical Characteristics: V_{CC1} at 3.3-V, V_{CC2} at 5-V⁽⁴⁾ Operation</i>	11
Changed typ value From: 1 To: 2 in the <i>Electrical Characteristics: V_{CC1} and V_{CC2} at 3.3 V⁽⁵⁾ Operation</i>	12
Changed Propagation delay max From: 22 To: 23.....	13
Changed Propagation delay max From: 46 To: 50.....	14
Changed Propagation delay max From: 28 To: 29.....	14
Changed ISO724xA/C max value From: 2.5 To: 3.....	14
Changed Propagation delay max From: 26 To: 30.....	15

ISO7240CF, ISO7240C, ISO7240M
ISO7241C, ISO7241M, ISO7242C, ISO7242M

SLLS868R –SEPTEMBER 2007–REVISED SEPTEMBER 2015

www.ti.com

• Changed Propagation delay max From: 32 To: 34	16
• Changed ISO724xA/C max value From: 3 To: 3.5.....	16
• Changed Figure 1 , Figure 2 , and Figure 4 . Added Figure 3	17
• Changed C _{IO} - typ value From: 1 To: 2	23
• Changed the Regulatory Information	25

5 Description (Continued)

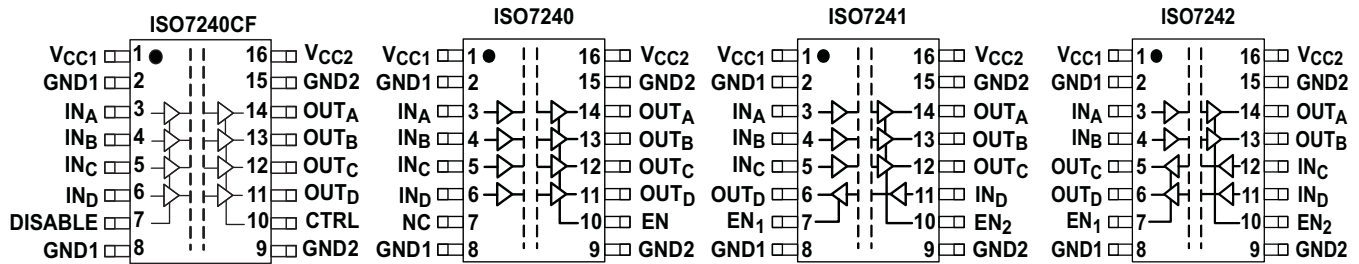
The C option devices have TTL input thresholds and a noise-filter at the input that prevents transient pulses from being passed to the output of the device. The M option devices have CMOS $V_{CC}/2$ input thresholds and do not have the input noise-filter or the additional propagation delay.

The ISO7240CF has an input disable function on pin 7, and a selectable high or low failsafe-output function with the CTRL pin (pin 10). The failsafe-output is a logic high when a logic-high is placed on the CTRL pin or it is left unconnected. If a logic-low signal is applied to the CTRL pin, the failsafe-output becomes a logic-low output state. The ISO7240CF input disable function prevents data from being passed across the isolation barrier to the output. When the inputs are disabled or V_{CC1} is powered down, the outputs are set by the CTRL pin.

These devices may be powered from 3.3-V or 5-V supplies on either side in any combination. Note that the signal input pins are 5-V tolerant regardless of the voltage supply level being used.

These devices are characterized for operation over the ambient temperature range of -40°C to 125°C .

6 Pin Configurations and Functions



Pin Functions

NAME	PIN				I/O	DESCRIPTION ³
	ISO7240CF	ISO7240	ISO7241	ISO7242		
IN _A	3	3	3	3	I	Input, channel A
IN _B	4	4	4	4	I	Input, channel B
IN _C	5	5	5	12	I	Input, channel C
IN _D	6	6	11	11	I	Input, channel D
OUT _A	14	14	14	14	O	Output, channel A
OUT _B	13	13	13	13	O	Output, channel B
OUT _C	12	12	12	5	O	Output, channel C
OUT _D	11	11	6	6	O	Output, channel D
EN ₁	–	–	7	7	I	Output enable 1. Output pins on side-1 are enabled when EN ₁ is high or open and disabled when EN ₁ is low.
EN ₂	–	–	10	10	I	Output enable 2. Output pins on side-2 are enabled when EN ₂ is high or open and disabled when EN ₂ is low.
EN	–	10	–	–	I	Output enable. All output pins are enabled when EN is high or open and disabled when EN is low.
DISABLE	7	–	–	–	I	Input disable. All input pins are disabled when DISABLE is high and enabled when DISABLE is low or open.
CTRL	10	–	–	–	I	Failsafe output control. Output state is determined by CTRL pin when DISABLE is high or V _{CC1} is powered down. Output is high when CTRL is high or open and low when CTRL is low.
V _{CC1}	1	1	1	1	–	Power supply, V _{CC1}
V _{CC2}	16	16	16	16	–	Power supply, V _{CC2}
GND1	2,8	2,8	2,8	2, 8	–	Ground connection for V _{CC1}
GND2	9,15	9,15	9,15	9, 15	–	Ground connection for V _{CC2}
NC	–	7	–	–	–	No Connect pins are floating with no internal connection

7 Specifications

7.1 Absolute Maximum Ratings⁽¹⁾

		MIN	MAX	UNIT
V_{CC}	Supply voltage ⁽²⁾ , V_{CC1} , V_{CC2}	-0.5	6	V
V_I	Voltage at IN, OUT, EN, DISABLE, CTRL	-0.5	$V_{CC} + 0.5$ ⁽³⁾	V
I_O	Output current	-15	15	mA
T_J	Maximum junction temperature		170	°C
T_{stg}	Storage temperature	-65	150	°C

- (1) Stresses beyond those listed under Absolute Maximum Ratings may cause permanent damage to the device. These are stress ratings only and functional operation of the device at these or any other conditions beyond those indicated under [Recommended Operating Conditions](#) is not implied. Exposure to absolute-maximum-rated conditions for extended periods may affect device reliability.
- (2) All voltage values are with respect to network ground terminal and are peak voltage values.
- (3) Maximum voltage must not exceed 6 V.

7.2 ESD Ratings

		VALUE	UNIT
$V_{(ESD)}$	Electrostatic discharge	Human body model (HBM), per ANSI/ESDA/JEDEC JS-001 ⁽¹⁾	±4
		Charged device model (CDM), per JEDEC specification JESD22-C101 ⁽²⁾	±1
		Machine Model, per ANSI/ESDS5.2-1996	±200

- (1) JEDEC document JEP155 states that 500-V HBM allows safe manufacturing with a standard ESD control process.
- (2) JEDEC document JEP157 states that 250-V CDM allows safe manufacturing with a standard ESD control process.

7.3 Recommended Operating Conditions

		MIN	TYP	MAX	UNIT
V_{CC}	Supply voltage ⁽¹⁾ , V_{CC1} , V_{CC2}	3.15		5.5	V
I_{OH}	High-level output current	-4			mA
I_{OL}	Low-level output current			4	mA
t_{ui}	Input pulse width	ISO724xC	40		ns
		ISO724xM	6.67	5	
$1/t_{ui}$	Signaling rate	ISO724xC	0	30 ⁽²⁾	Mbps
		ISO724xM	0	200 ⁽²⁾	
V_{IH}	High-level input voltage (IN)	0.7 V_{CC}		V_{CC}	V
V_{IL}	Low-level input voltage (IN)			0.3 V_{CC}	V
V_{IH}	High-level input voltage (IN, DISABLE, CTRL, EN)	ISO724xC	2	5.5	V
V_{IL}	Low-level input voltage (IN, DISABLE, CTRL, EN)		0	0.8	V
T_J	Junction temperature			150	°C
H	External magnetic field-strength immunity per IEC 61000-4-8 and IEC 61000-4-9 certification			1000	A/m

- (1) For the 5-V operation, V_{CC1} or V_{CC2} is specified from 4.5 V to 5.5 V. For the 3.3-V operation, V_{CC1} or V_{CC2} is specified from 3.15 V to 3.6 V.
- (2) Typical value at room temperature and well-regulated power supply.

7.4 Thermal Information

THERMAL METRIC ⁽¹⁾		ISO724x	UNIT	
		DW		
		16 PINS		
R _{θJA}	Junction-to-ambient thermal resistance	Low-K board	168	°C/W
		High-K board	77.3	
R _{θJC(top)}	Junction-to-case (top) thermal resistance		39.5	
R _{θJB}	Junction-to-board thermal resistance		41.9	
ψ _{JT}	Junction-to-top characterization parameter		13.5	
ψ _{JB}	Junction-to-board characterization parameter		41.9	
R _{θJC(bot)}	Junction-to-case (bottom) thermal resistance		n/a	
P _D	Device power dissipation	V _{CC1} = V _{CC2} = 5.5 V, T _J = 150°C, C _L = 15 pF, Input a 50% duty cycle square wave	220	mW

(1) For more information about traditional and new thermal metrics, see the *IC Package Thermal Metrics* application report, [SPRA953](#).

7.5 Electrical Characteristics: V_{CC1} and V_{CC2} at 5-V⁽¹⁾ Operation

over recommended operating conditions (unless otherwise noted)

PARAMETER		TEST CONDITIONS			MIN	TYP	MAX	UNIT
SUPPLY CURRENT								
I _{CC1}	ISO7240C/M	Quiescent	V _I = V _{CC} or 0 V	All channels, no load, EN at 3 V	1	3	mA	
		25 Mbps	12.5 MHz Input Clock Signal		7	10.5		
	ISO7241C/M	Quiescent	V _I = V _{CC} or 0 V	All channels, no load, EN ₁ at 3 V, EN ₂ at 3 V	6.5	11	mA	
		25 Mbps	12.5 MHz Input Clock Signal		12	18		
	ISO7242C/M	Quiescent	V _I = V _{CC} or 0 V	All channels, no load, EN ₁ at 3 V, EN ₂ at 3 V	10	16	mA	
		25 Mbps	12.5 MHz Input Clock Signal		15	24		
I _{CC2}	ISO7240C/M	Quiescent	V _I = V _{CC} or 0 V	All channels, no load, EN at 3 V	15	22	mA	
		25 Mbps	12.5 MHz Input Clock Signal		17	25		
	ISO7241C/M	Quiescent	V _I = V _{CC} or 0 V	All channels, no load, EN ₁ at 3 V, EN ₂ at 3 V	13	20	mA	
		25 Mbps	12.5 MHz Input Clock Signal		18	28		
	ISO7242C/M	Quiescent	V _I = V _{CC} or 0 V	All channels, no load, EN ₁ at 3 V, EN ₂ at 3 V	10	16	mA	
		25 Mbps	12.5 MHz Input Clock Signal		15	24		
ELECTRICAL CHARACTERISTICS								
I _{OFF}	Sleep mode output current	EN at 0 V, Single channel			0		μA	
V _{OH}	High-level output voltage	I _{OH} = -4 mA, See Figure 9			V _{CC0} - 0.8		V	
		I _{OH} = -20 μA, See Figure 9			V _{CC0} - 0.1			
V _{OL}	Low-level output voltage	I _{OL} = 4 mA, See Figure 9			0.4		V	
		I _{OL} = 20 μA, See Figure 9			0.1			
V _{I(HYS)}	Input voltage hysteresis				150		mV	
I _{IH}	High-level input current	IN at V _{CC1}			10		μA	
I _{IL}	Low-level input current	IN at 0 V			-10			
C _I	Input capacitance to ground	IN at V _{CC} , V _I = 0.4 sin(4E6πt)			2		pF	
CMTI	Common-mode transient immunity	V _I = V _{CC} or 0 V, See Figure 13			25	50	kV/μs	

(1) For the 5-V operation, V_{CC1} or V_{CC2} is specified from 4.5 V to 5.5 V.

7.6 Electrical Characteristics: V_{CC1} at 5-V, V_{CC2} at 3.3-V⁽¹⁾ Operation

over recommended operating conditions (unless otherwise noted)

PARAMETER		TEST CONDITIONS			MIN	TYP	MAX	UNIT
SUPPLY CURRENT								
I_{CC1}	ISO7240C/M	Quiescent	$V_I = V_{CC}$ or 0 V	All channels, no load, EN at 3 V	1	3		mA
		25 Mbps	12.5 MHz Input Clock Signal		7	10.5		
	ISO7241C/M	Quiescent	$V_I = V_{CC}$ or 0 V	All channels, no load, EN ₁ at 3 V, EN ₂ at 3 V	6.5	11		mA
		25 Mbps	12.5 MHz Input Clock Signal		12	18		
	ISO7242C/M	Quiescent	$V_I = V_{CC}$ or 0 V	All channels, no load, EN ₁ at 3 V, EN ₂ at 3 V	10	16		mA
		25 Mbps	12.5 MHz Input Clock Signal		15	24		
I_{CC2}	ISO7240C/M	Quiescent	$V_I = V_{CC}$ or 0 V	All channels, no load, EN at 3 V	9.5	15		mA
		25 Mbps	12.5 MHz Input Clock Signal		10.5	17		
	ISO7241C/M	Quiescent	$V_I = V_{CC}$ or 0 V	All channels, no load, EN ₁ at 3 V, EN ₂ at 3 V	8	13		mA
		25 Mbps	12.5 MHz Input Clock Signal		11.5	18		
	ISO7242C/M	Quiescent	$V_I = V_{CC}$ or 0 V	All channels, no load, EN ₁ at 3 V, EN ₂ at 3 V	6	10		mA
		25 Mbps	12.5 MHz Input Clock Signal		9	14		
ELECTRICAL CHARACTERISTICS								
I_{OFF}	Sleep mode output current	EN at 0 V, Single channel			0			μA
V_{OH}	High-level output voltage	$I_{OH} = -4$ mA, See Figure 9	3.3-V side	$V_{CCO} - 0.4$			V	
			5-V side	$V_{CCO} - 0.8$				
		$I_{OH} = -20$ μA, See Figure 9	$V_{CCO} - 0.1$					
V_{OL}	Low-level output voltage	$I_{OL} = 4$ mA, See Figure 9			0.4		V	
		$I_{OL} = 20$ μA, See Figure 9			0.1			
$V_{I(HYS)}$	Input voltage hysteresis				150			mV
I_{IH}	High-level input current	IN at V_{CC1}				10		μA
I_{IL}	Low-level input current	IN at 0 V			-10			
C_1	Input capacitance to ground	IN at V_{CC} , $V_I = 0.4 \sin(4E6\pi t)$				2		pF
CMTI	Common-mode transient immunity	$V_I = V_{CC}$ or 0 V, See Figure 13			25	50		kV/μs

- (1) For the 5-V operation, V_{CC1} or V_{CC2} is specified from 4.5 V to 5.5 V.
For the 3.3-V operation, V_{CC1} or V_{CC2} is specified from 3.15 V to 3.6 V.

7.7 Electrical Characteristics: V_{CC1} at 3.3-V, V_{CC2} at 5-V⁽¹⁾ Operation

over recommended operating conditions (unless otherwise noted)

PARAMETER		TEST CONDITIONS			MIN	TYP	MAX	UNIT
SUPPLY CURRENT								
I_{CC1}	ISO7240C/M	Quiescent	$V_I = V_{CC}$ or 0 V	All channels, no load, EN at 3 V	0.5	1		mA
		25 Mbps	12.5 MHz Input Clock Signal		3	5		
	ISO7241C/M	Quiescent	$V_I = V_{CC}$ or 0 V	All channels, no load, EN ₁ at 3 V, EN ₂ at 3 V	4	7		mA
		25 Mbps	12.5 MHz Input Clock Signal		6.5	11		
	ISO7242C/M	Quiescent	$V_I = V_{CC}$ or 0 V	All channels, no load, EN ₁ at 3 V, EN ₂ at 3 V	6	10		mA
		25 Mbps	12.5 MHz Input Clock Signal		9	14		
I_{CC2}	ISO7240C/M	Quiescent	$V_I = V_{CC}$ or 0 V	All channels, no load, EN at 3 V	15	22		mA
		25 Mbps	12.5 MHz Input Clock Signal		17	25		
	ISO7241C/M	Quiescent	$V_I = V_{CC}$ or 0 V	All channels, no load, EN ₁ at 3 V, EN ₂ at 3 V	13	20		mA
		25 Mbps	12.5 MHz Input Clock Signal		18	28		
	ISO7242C/M	Quiescent	$V_I = V_{CC}$ or 0 V	All channels, no load, EN ₁ at 3 V, EN ₂ at 3 V	10	16		mA
		25 Mbps	12.5 MHz Input Clock Signal		15	24		
ELECTRICAL CHARACTERISTICS								
I_{OFF}	Sleep mode output current	EN at 0 V, Single channel			0			μ A
V_{OH}	High-level output voltage	$I_{OH} = -4$ mA, See Figure 9		3.3-V side	$V_{CCO} - 0.4$		V	
		$I_{OH} = -20$ μ A, See Figure 9		5-V side	$V_{CCO} - 0.8$			
					$V_{CCO} - 0.1$			
V_{OL}	Low-level output voltage	$I_{OL} = 4$ mA, See Figure 9				0.4	V	
		$I_{OL} = 20$ μ A, See Figure 9				0.1		
$V_{I(HYS)}$	Input voltage hysteresis				150			mV
I_{IH}	High-level input current	IN at V_{CC1}					10	μ A
I_{IL}	Low-level input current	IN at 0 V			-10			
C_1	Input capacitance to ground	IN at V_{CC} , $V_I = 0.4 \sin(4E6\pi t)$			2			pF
CMTI	Common-mode transient immunity	$V_I = V_{CC}$ or 0 V, See Figure 13			25	50		kV/ μ s

- (1) For the 5-V operation, V_{CC1} or V_{CC2} is specified from 4.5 V to 5.5 V.
 For the 3.3-V operation, V_{CC1} or V_{CC2} is specified from 3.15 V to 3.6 V.

7.8 Electrical Characteristics: V_{CC1} and V_{CC2} at 3.3 V⁽¹⁾ Operation

over recommended operating conditions (unless otherwise noted)

PARAMETER		TEST CONDITIONS			MIN	TYP	MAX	UNIT
SUPPLY CURRENT								
I_{CC1}	ISO7240C/M	Quiescent	$V_I = V_{CC}$ or 0 V	All channels, no load, EN at 3 V	0.5	1		mA
		25 Mbps	12.5 MHz Input Clock Signal		3	5		
	ISO7241C/M	Quiescent	$V_I = V_{CC}$ or 0 V	All channels, no load, EN ₁ at 3 V, EN ₂ at 3 V	4	7		mA
		25 Mbps	12.5 MHz Input Clock Signal		6.5	11		
	ISO7242C/M	Quiescent	$V_I = V_{CC}$ or 0 V	All channels, no load, EN ₁ at 3 V, EN ₂ at 3 V	6	10		mA
		25 Mbps	12.5 MHz Input Clock Signal		9	14		
I_{CC2}	ISO7240C/M	Quiescent	$V_I = V_{CC}$ or 0 V	All channels, no load, EN at 3 V	9.5	15		mA
		25 Mbps	12.5 MHz Input Clock Signal		10.5	17		
	ISO7241C/M	Quiescent	$V_I = V_{CC}$ or 0 V	All channels, no load, EN ₁ at 3 V, EN ₂ at 3 V	8	13		mA
		25 Mbps	12.5 MHz Input Clock Signal		11.5	18		
	ISO7242C/M	Quiescent	$V_I = V_{CC}$ or 0 V	All channels, no load, EN ₁ at 3 V, EN ₂ at 3 V	6	10		mA
		25 Mbps	12.5 MHz Input Clock Signal		9	14		
ELECTRICAL CHARACTERISTICS								
I_{OFF}	Sleep mode output current	EN at 0 V, single channel			0			μA
V_{OH}	High-level output voltage	$I_{OH} = -4$ mA, See Figure 9			$V_{CCO} - 0.4$			V
		$I_{OH} = -20$ μA, See Figure 9			$V_{CCO} - 0.1$			
V_{OL}	Low-level output voltage	$I_{OL} = 4$ mA, See Figure 9			0.4			V
		$I_{OL} = 20$ μA, See Figure 9			0.1			
$V_{I(HYS)}$	Input voltage hysteresis				150			mV
I_{IH}	High-level input current	IN at V_{CC1}				10		μA
I_{IL}	Low-level input current	IN at 0 V			-10			μA
C_I	Input capacitance to ground	IN at V_{CC} , $V_I = 0.4 \sin(4E6\pi t)$			2			pF
CMTI	Common-mode transient immunity	$V_I = V_{CC}$ or 0 V, See Figure 13			25	50		kV/μs

(1) For the 3.3-V operation, V_{CC1} or V_{CC2} is specified from 3.15 V to 3.6 V.

7.9 Switching Characteristics: V_{CC1} and V_{CC2} at 5-V Operation

over recommended operating conditions (unless otherwise noted)

PARAMETER			TEST CONDITIONS	MIN	TYP	MAX	UNIT
t_{PLH} , t_{PHL}	Propagation delay			ISO724xC	See Figure 9	18	
PWD	Pulse-width distortion ⁽¹⁾ $ t_{PHL} - t_{PLH} $		2.5				
t_{PLH} , t_{PHL}	Propagation delay	ISO724xM	10			23	ns
PWD	Pulse-width distortion ⁽¹⁾ $ t_{PHL} - t_{PLH} $			1		2	
$t_{sk(pp)}$	Part-to-part skew ⁽²⁾	ISO724xC			8	ns	
		ISO724xM			0		3
$t_{sk(o)}$	Channel-to-channel output skew ⁽³⁾	ISO724xC			2	ns	
		ISO724xM			0		1
t_r	Output signal rise time		See Figure 9		2	ns	
t_f	Output signal fall time				2		
t_{PHZ}	Propagation delay, high-level-to-high-impedance output		See Figure 10		15	20	ns
t_{PZH}	Propagation delay, high-impedance-to-high-level output				15	20	
t_{PLZ}	Propagation delay, low-level-to-high-impedance output				15	20	
t_{PZL}	Propagation delay, high-impedance-to-low-level output				15	20	
t_{fs}	Failsafe output delay time from input power loss		See Figure 11		12		μ s
t_{wake}	Wake time from input disable		See Figure 12		15		μ s
$t_{jit(pp)}$	Peak-to-peak eye-pattern jitter	ISO724xM	150 Mbps NRZ data input, Same polarity input on all channels, See Figure 14		1		ns

- (1) Also referred to as pulse skew.
- (2) $t_{sk(pp)}$ is the magnitude of the difference in propagation delay times between any specified terminals of two devices when both devices operate with the same supply voltages, at the same temperature, and have identical packages and test circuits.
- (3) $t_{sk(o)}$ is the skew between specified outputs of a single device with all driving inputs connected together and the outputs switching in the same direction while driving identical specified loads.

7.10 Switching Characteristics: V_{CC1} at 5-V, V_{CC2} at 3.3-V Operation

over recommended operating conditions (unless otherwise noted)

PARAMETER		TEST CONDITIONS	MIN	TYP	MAX	UNIT
t_{PLH} , t_{PHL}	Propagation delay	See Figure 9	20		50	ns
PWD	Pulse-width distortion ⁽¹⁾ $ t_{PHL} - t_{PLH} $				3	
t_{PLH} , t_{PHL}	Propagation delay	ISO724xM	12		29	ns
PWD	Pulse-width distortion ⁽¹⁾ $ t_{PHL} - t_{PLH} $			1	2	
$t_{sk(pp)}$	Part-to-part skew ⁽²⁾	ISO724xC			10	ns
		ISO724xM		0	5	
$t_{sk(o)}$	Channel-to-channel output skew ⁽³⁾	ISO724xC			3	ns
		ISO724xM		0	1	
t_r	Output signal rise time	See Figure 9		2		ns
t_f	Output signal fall time			2		
t_{PHZ}	Propagation delay, high-level-to-high-impedance output	See Figure 10		15	20	ns
t_{PZH}	Propagation delay, high-impedance-to-high-level output			15	20	
t_{PLZ}	Propagation delay, low-level-to-high-impedance output			15	20	
t_{PZL}	Propagation delay, high-impedance-to-low-level output			15	20	
t_{fs}	Failsafe output delay time from input power loss	See Figure 11		18		μ s
t_{wake}	Wake time from input disable	See Figure 12		15		μ s
$t_{jit(pp)}$	Peak-to-peak eye-pattern jitter	ISO724xM		1		ns

(1) Also known as pulse skew

 (2) $t_{sk(pp)}$ is the magnitude of the difference in propagation delay times between any specified terminals of two devices when both devices operate with the same supply voltages, at the same temperature, and have identical packages and test circuits.

 (3) $t_{sk(o)}$ is the skew between specified outputs of a single device with all driving inputs connected together and the outputs switching in the same direction while driving identical specified loads.

7.11 Switching Characteristics: V_{CC1} at 3.3-V and V_{CC2} at 5-V Operation

over recommended operating conditions (unless otherwise noted)

PARAMETER			TEST CONDITIONS	MIN	TYP	MAX	UNIT
t_{PLH} , t_{PHL}	Propagation delay	ISO724xC	See Figure 9	22		51	ns
PWD	Pulse-width distortion ⁽¹⁾ $ t_{PHL} - t_{PLH} $				3		
t_{PLH} , t_{PHL}	Propagation delay	ISO724xM		12		30	ns
PWD	Pulse-width distortion ⁽¹⁾ $ t_{PHL} - t_{PLH} $				1	2	
$t_{sk(pp)}$	Part-to-part skew ⁽²⁾	ISO724xC				10	ns
		ISO724xM			0	5	
$t_{sk(o)}$	Channel-to-channel output skew ⁽³⁾	ISO724xC				2.5	ns
		ISO724xM			0	1	
t_r	Output signal rise time		See Figure 9		2		ns
t_f	Output signal fall time				2		
t_{PHZ}	Propagation delay, high-level-to-high-impedance output		See Figure 10		15	20	ns
t_{PZH}	Propagation delay, high-impedance-to-high-level output				15	20	
t_{PLZ}	Propagation delay, low-level-to-high-impedance output				15	20	
t_{PZL}	Propagation delay, high-impedance-to-low-level output				15	20	
t_{fs}	Failsafe output delay time from input power loss		See Figure 11		12		μ s
t_{wake}	Wake time from input disable		See Figure 12		15		μ s
$t_{jit(pp)}$	Peak-to-peak eye-pattern jitter	ISO724xM	150 Mbps NRZ data input, Same polarity input on all channels, See Figure 14		1		ns

(1) Also known as pulse skew

 (2) $t_{sk(pp)}$ is the magnitude of the difference in propagation delay times between any specified terminals of two devices when both devices operate with the same supply voltages, at the same temperature, and have identical packages and test circuits.

 (3) $t_{sk(o)}$ is the skew between specified outputs of a single device with all driving inputs connected together and the outputs switching in the same direction while driving identical specified loads.

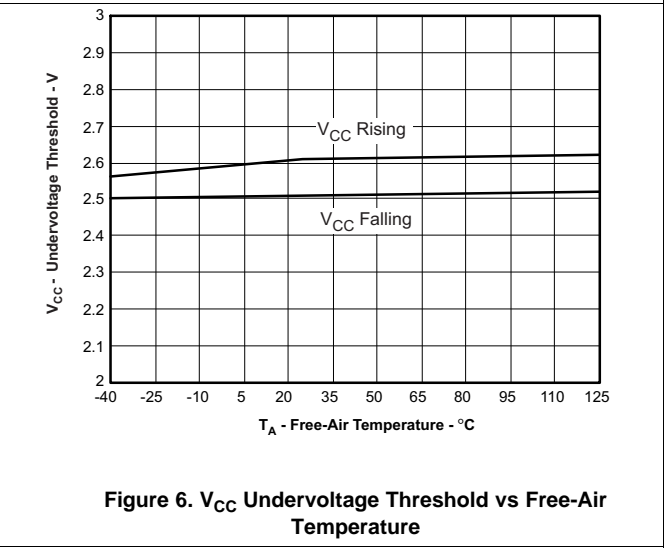
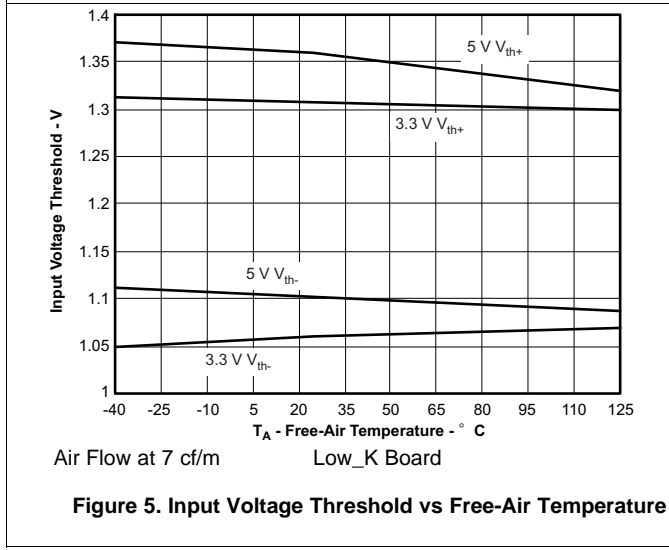
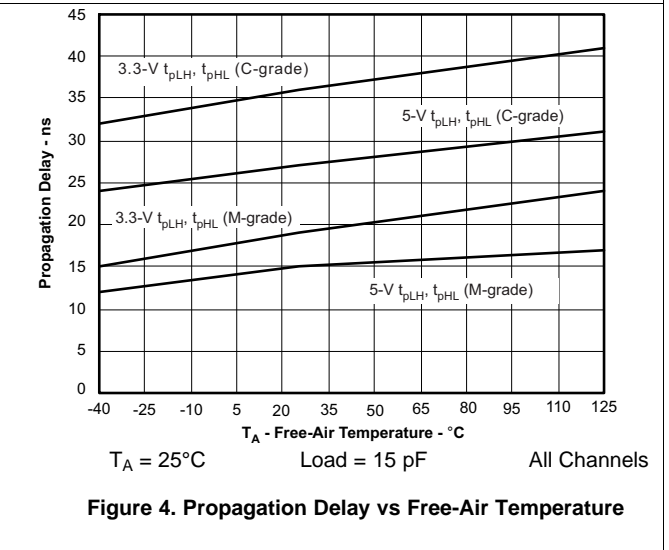
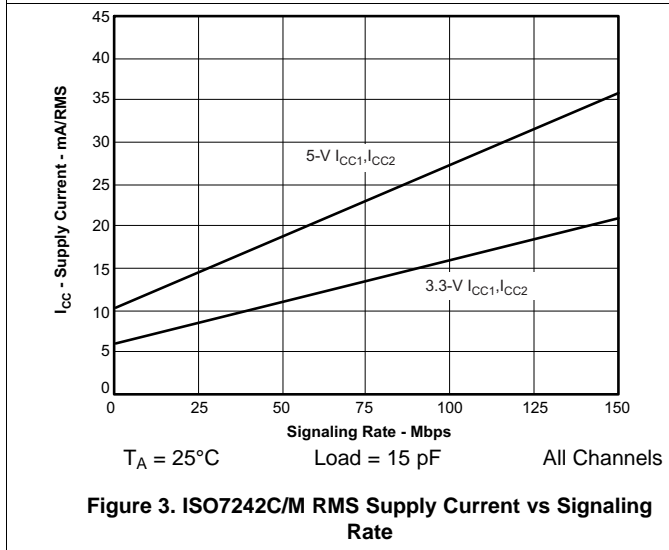
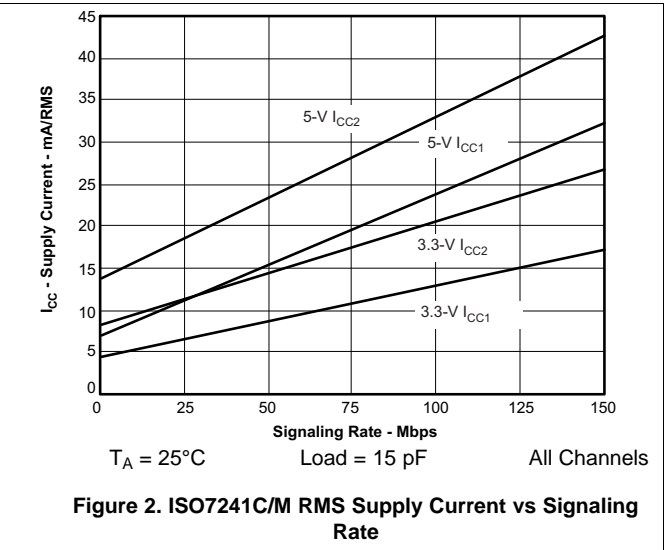
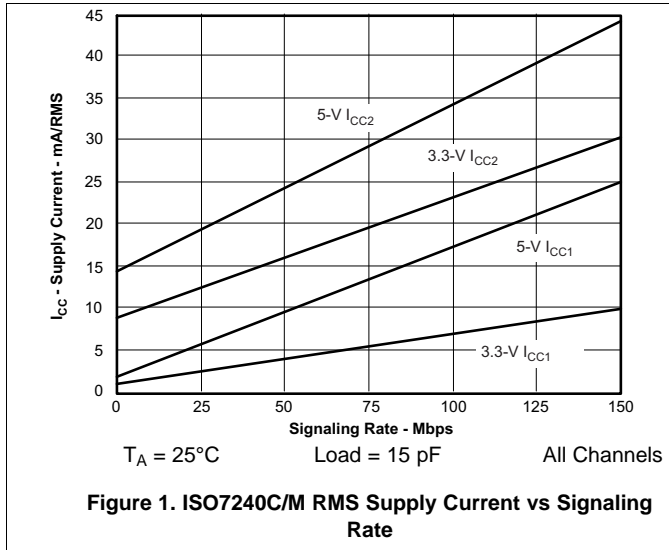
7.12 Switching Characteristics: V_{CC1} and V_{CC2} at 3.3-V Operation

over recommended operating conditions (unless otherwise noted)

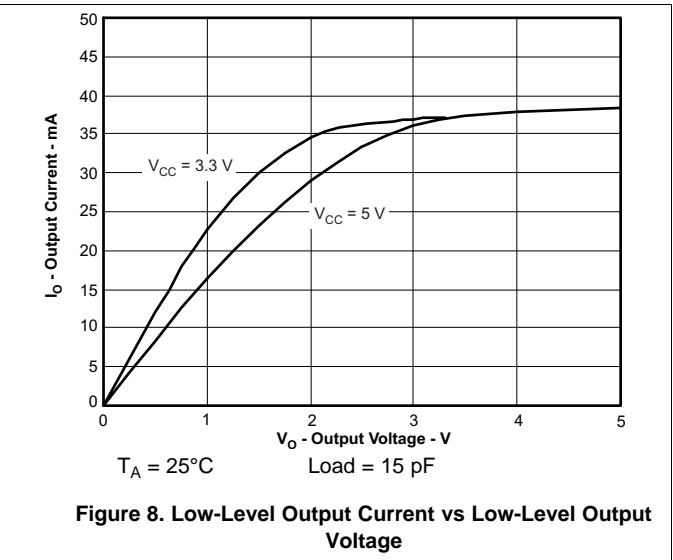
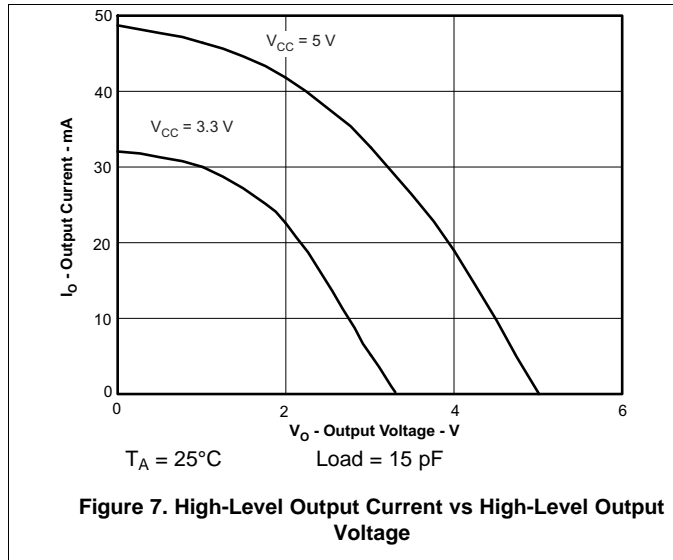
PARAMETER			TEST CONDITIONS	MIN	TYP	MAX	UNIT
t_{PLH} , t_{PHL}	Propagation delay			ISO724xC	See Figure 9	25	
PWD	Pulse-width distortion $ t_{PHL} - t_{PLH} ^{(1)}$		4				
t_{PLH} , t_{PHL}	Propagation delay	ISO724xM	12			34	ns
PWD	Pulse-width distortion $ t_{PHL} - t_{PLH} ^{(1)}$			1			
$t_{sk(pp)}$	Part-to-part skew ⁽²⁾	ISO724xC			10	ns	
		ISO724xM		0	5		
$t_{sk(o)}$	Channel-to-channel output skew ⁽³⁾	ISO724xC			3.5	ns	
		ISO724xM		0	1		
t_r	Output signal rise time		See Figure 9	2		ns	
t_f	Output signal fall time			2		ns	
t_{PHZ}	Propagation delay, high-level-to-high-impedance output		See Figure 10	15		20	ns
t_{PZH}	Propagation delay, high-impedance-to-high-level output			15		20	
t_{PLZ}	Propagation delay, low-level-to-high-impedance output			15		20	
t_{PZL}	Propagation delay, high-impedance-to-low-level output			15		20	
t_{fs}	Failsafe output delay time from input power loss		See Figure 11	18		μ s	
t_{wake}	Wake time from input disable		See Figure 12	15		μ s	
$t_{jit(pp)}$	Peak-to-peak eye-pattern jitter	ISO724xM	150 Mbps PRBS NRZ data input, same polarity input on all channels, See Figure 14	1		ns	

- (1) Also referred to as pulse skew.
- (2) $t_{sk(pp)}$ is the magnitude of the difference in propagation delay times between any specified terminals of two devices when both devices operate with the same supply voltages, at the same temperature, and have identical packages and test circuits.
- (3) $t_{sk(o)}$ is the skew between specified outputs of a single device with all driving inputs connected together and the outputs switching in the same direction while driving identical specified loads.

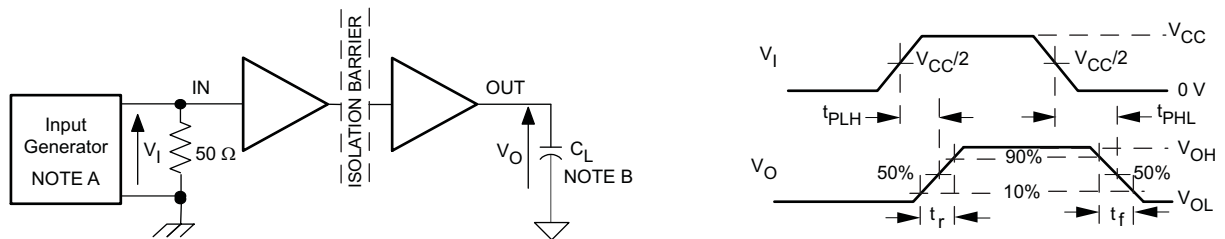
7.13 Typical Characteristics



Typical Characteristics (continued)

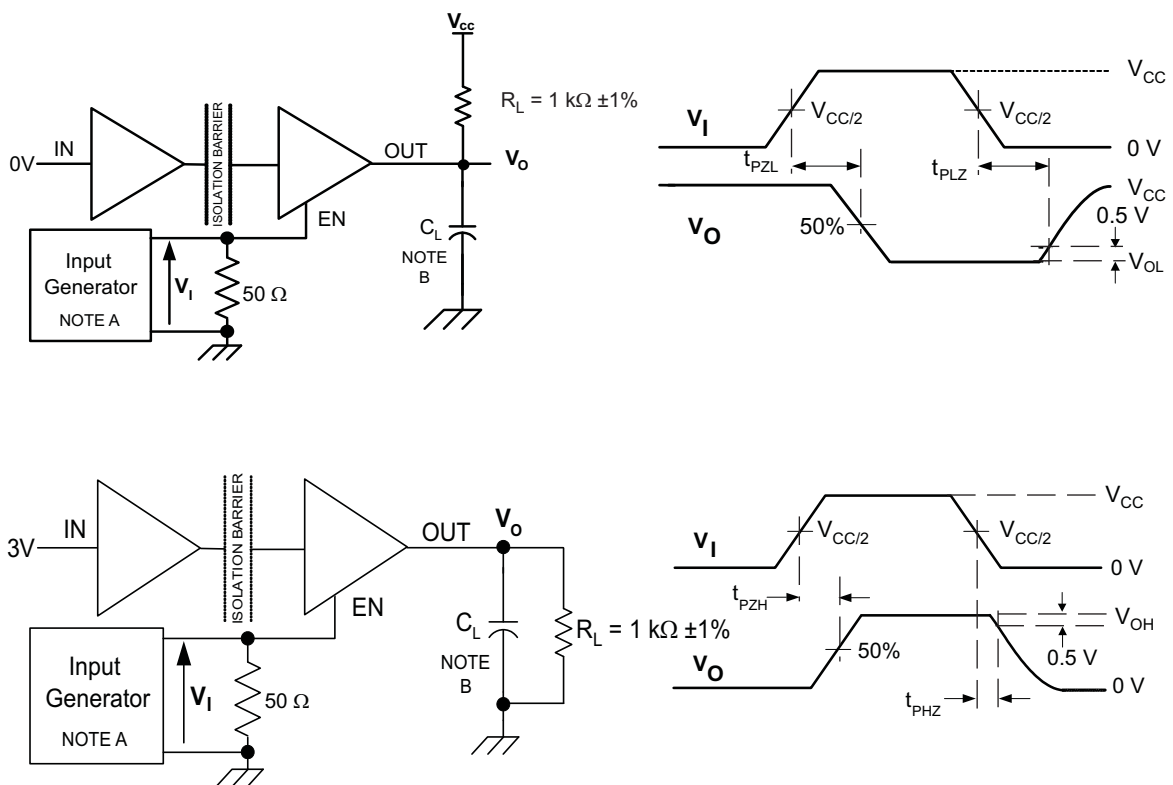


8 Parameter Measurement Information



- The input pulse is supplied by a generator having the following characteristics: PRR \leq 50 kHz, 50% duty cycle, $t_r \leq$ 3 ns, $t_f \leq$ 3 ns, $Z_0 = 50 \Omega$.
- $C_L = 15$ pF and includes instrumentation and fixture capacitance within $\pm 20\%$.

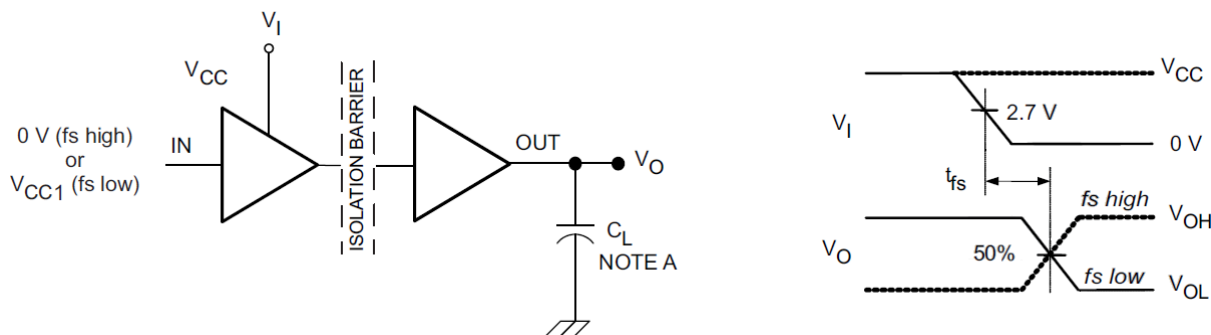
Figure 9. Switching Characteristic Test Circuit and Voltage Waveforms



- The input pulse is supplied by a generator having the following characteristics: PRR \leq 50 kHz, 50% duty cycle, $t_r \leq$ 3 ns, $t_f \leq$ 3 ns, $Z_0 = 50 \Omega$.
- $C_L = 15$ pF and includes instrumentation and fixture capacitance within $\pm 20\%$.

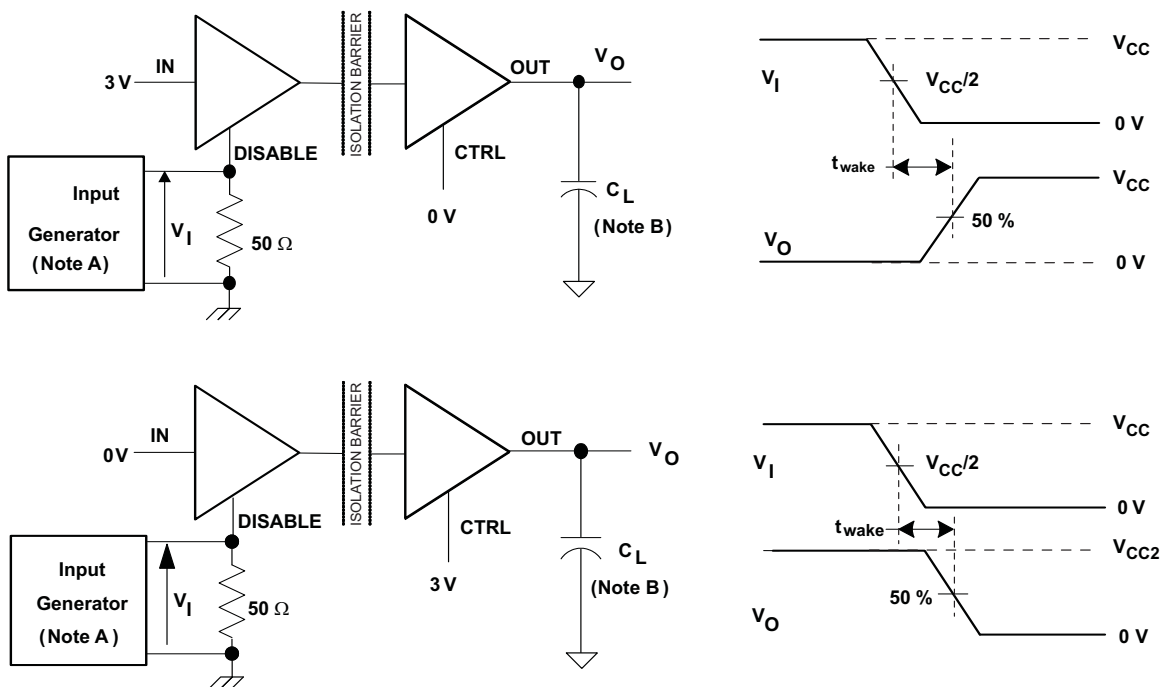
Figure 10. Enable/Disable Propagation Delay Time Test Circuit and Waveform

Parameter Measurement Information (continued)



A. $C_L = 15 \text{ pF}$ and includes instrumentation and fixture capacitance within $\pm 20\%$.

Figure 11. Failsafe Delay Time Test Circuit and Voltage Waveforms

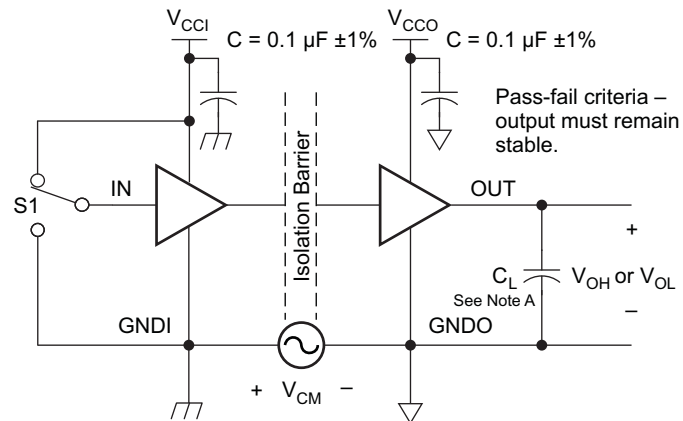


NOTE: Which ever test yields the longest time is used in this data sheet

- A. The input pulse is supplied by a generator having the following characteristics: PRR $\leq 50 \text{ kHz}$, 50% duty cycle, $t_r \leq 3 \text{ ns}$, $t_f \leq 3 \text{ ns}$, $Z_0 = 50 \Omega$.
- B. $C_L = 15 \text{ pF}$ and includes instrumentation and fixture capacitance within $\pm 20\%$.

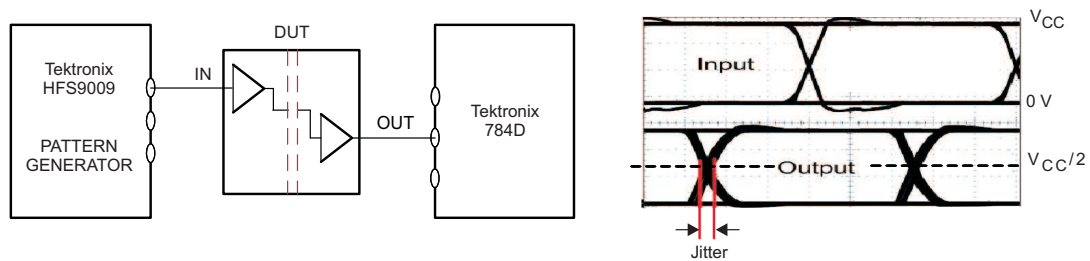
Figure 12. Wake Time From Input Disable Test Circuit and Voltage Waveforms

Parameter Measurement Information (continued)



- A. $C_L = 15 \text{ pF}$ and includes instrumentation and fixture capacitance within $\pm 20\%$.
- B. The input pulse is supplied by a generator having the following characteristics: $\text{PRR} \leq 50 \text{ kHz}$, 50% duty cycle, $t_r \leq 3 \text{ ns}$, $t_f \leq 3 \text{ ns}$, $Z_O = 50 \Omega$.

Figure 13. Common-Mode Transient Immunity Test Circuit and Voltage Waveform



NOTE: PRBS bit pattern run length is $2^{16} - 1$. Transition time is 800 ps. NRZ data input has no more than five consecutive 1s or 0s.

Figure 14. Peak-to-Peak Eye-Pattern Jitter Test Circuit and Voltage Waveform

9 Detailed Description

9.1 Overview

The isolator in Figure 15 is based on a capacitive isolation barrier technique. The I/O channel of the device consists of two internal data channels, a high-frequency channel (HF) with a bandwidth from 100 kbps up to 150 Mbps, and a low-frequency channel (LF) covering the range from 100 kbps down to DC. In principle, a single-ended input signal entering the HF-channel is split into a differential signal via the inverter gate at the input. The following capacitor-resistor networks differentiate the signal into transients, which then are converted into differential pulses by two comparators. The comparator outputs drive a NOR-gate flip-flop whose output feeds an output multiplexer. A decision logic (DCL) at the driving output of the flip-flop measures the durations between signal transients. If the duration between two consecutive transients exceeds a certain time limit, (as in the case of a low-frequency signal), the DCL forces the output-multiplexer to switch from the high- to the low-frequency channel.

Because low-frequency input signals require the internal capacitors to assume prohibitively large values, these signals are pulse-width modulated (PWM) with the carrier frequency of an internal oscillator, thus creating a sufficiently high frequency signal, capable of passing the capacitive barrier. As the input is modulated, a low-pass filter (LPF) is needed to remove the high-frequency carrier from the actual data before passing it on to the output multiplexer.

9.2 Functional Block Diagram

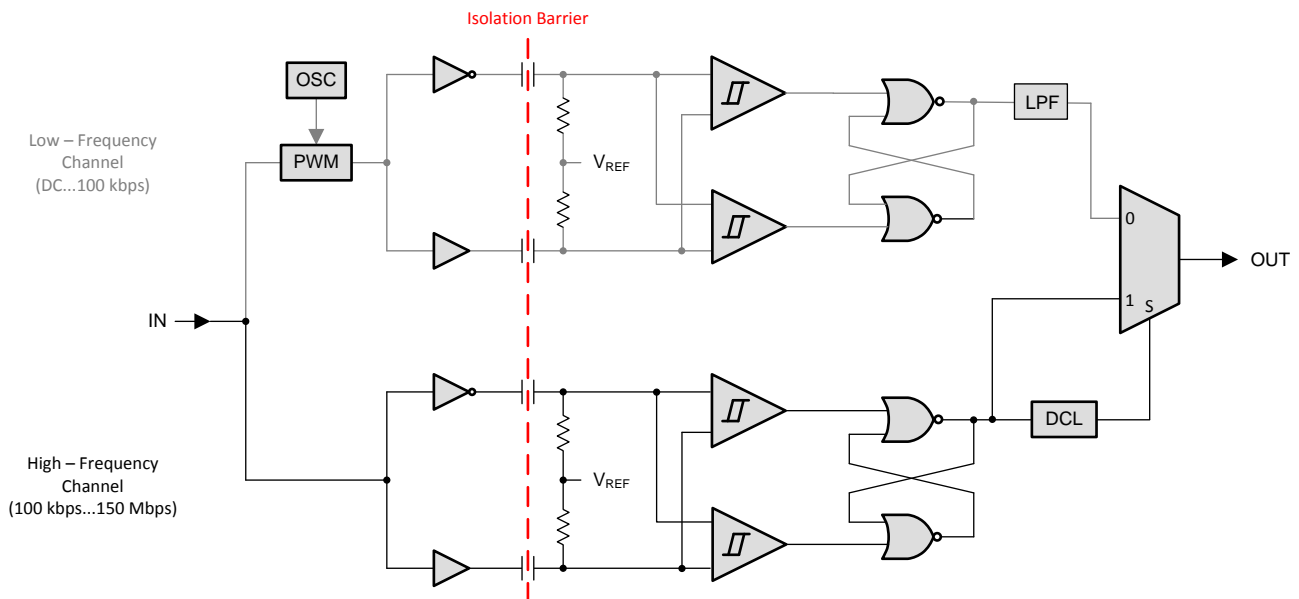


Figure 15. Conceptual Block Diagram of a Digital Capacitive Isolator

9.3 Feature Description

ISO724x are available in multiple channel configurations and default output state options to enable wide variety of application uses.

PRODUCT	SIGNALING RATE	INPUT THRESHOLD	CHANNEL CONFIGURATION
ISO7240C	25 Mbps	~1.5 V (TTL)	4/0
ISO7240CF	25 Mbps	~1.5 V (TTL)	
ISO7240M	150 Mbps	$V_{CC}/2$ (CMOS)	
ISO7241C	25 Mbps	~1.5 V (TTL)	3/1
ISO7241M	150 Mbps	$V_{CC}/2$ (CMOS)	
ISO7242C	25 Mbps	~1.5 V (TTL)	2/2
ISO7242M	150 Mbps	$V_{CC}/2$ (CMOS)	

9.3.1 DIN V VDE V 0884-10 (VDE V 0884-10):2006-1 Insulation Characteristics⁽¹⁾

over recommended operating conditions (unless otherwise noted)

PARAMETER	TEST CONDITIONS	SPECIFICATIONS	UNIT
V_{IORM} Maximum working insulation voltage		560	V_{PK}
V_{PR} Input to output test voltage	After Input/Output Safety Test Subgroup 2/3 $V_{PR} = V_{IORM} \times 1.2$, $t = 10$ s, Partial discharge < 5 pC	672	V_{PK}
	Method a, $V_{PR} = V_{IORM} \times 1.6$, Type and sample test with $t = 10$ s, Partial discharge < 5 pC	896	V_{PK}
	Method b1, $V_{PR} = V_{IORM} \times 1.875$, 100 % Production test with $t = 1$ s, Partial discharge < 5 pC	1050	V_{PK}
V_{IOTM} Maximum transient isolation voltage	$t = 60$ s	4000	V_{PK}
R_S Insulation resistance	$V_{IO} = 500$ V at $T_S = 150^\circ\text{C}$	$>10^9$	Ω
Pollution degree		2	

(1) Climatic Classification 40/125/21

Table 1. IEC 60664-1 Ratings Table

PARAMETER	TEST CONDITIONS	SPECIFICATION
Basic isolation group	Material group	II
Installation classification	Rated mains voltage $\leq 150 V_{RMS}$	I-IV
	Rated mains voltage $\leq 300 V_{RMS}$	I-III

9.3.2 Package Characteristics

PARAMETER	TEST CONDITIONS	MIN	TYP	MAX	UNIT
$L_{(I01)}$ Minimum air gap (Clearance) ⁽¹⁾	Shortest pin-to-pin distance through air	8			mm
$L_{(I02)}$ Minimum external tracking (Creepage) ⁽¹⁾	Shortest pin-to-pin distance across the package surface	8			mm
CTI Tracking resistance (comparative tracking index)	DIN EN 60112 (VDE 0303-11); IEC 60112	≥ 400			V
Minimum Internal Gap (Internal Clearance)	Distance through the insulation	0.008			mm
R_{IO} Isolation resistance	Input to output, $V_{IO} = 500$ V, all pins on each side of the barrier tied together creating a two-terminal device	$> 10^{12}$			Ω
C_{IO} Barrier capacitance Input to output	$V_I = 0.4 \sin(4E6\pi t)$		2		pF

(1) Per JEDEC package dimensions

9.3.3 Life Expectancy vs. Working Voltage

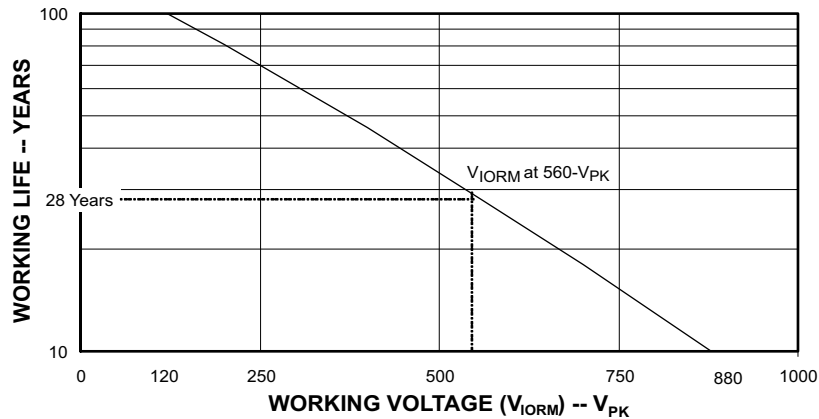


Figure 16. Time-Dependant Dielectric Breakdown Testing Results

9.3.4 Safety Limiting Values

Safety limiting intends to prevent potential damage to the isolation barrier upon failure of input or output circuitry. A failure of the IO can allow low resistance to ground or the supply and, without current limiting, dissipate sufficient power to overheat the die and damage the isolation barrier potentially leading to secondary system failures.

PARAMETER	TEST CONDITIONS	MIN	TYP	MAX	UNIT
I_S Safety input, output, or supply current	SOIC-16 $\theta_{JA} = 168^\circ\text{C}/\text{W}$, $V_I = 5.5\text{ V}$, $T_J = 170^\circ\text{C}$, $T_A = 25^\circ\text{C}$			156	mA
	$\theta_{JA} = 168^\circ\text{C}/\text{W}$, $V_I = 3.6\text{ V}$, $T_J = 170^\circ\text{C}$, $T_A = 25^\circ\text{C}$			239	
T_S Maximum case temperature	SOIC-16			150	$^\circ\text{C}$

The safety-limiting constraint is the absolute maximum junction temperature specified in the absolute maximum ratings table. The power dissipation and junction-to-air thermal impedance of the device installed in the application hardware determines the junction temperature. The assumed junction-to-air thermal resistance in the Thermal Characteristics table is that of a device installed in the JEDEC51-3, Low Effective Thermal Conductivity Test Board for Leaded Surface Mount Packages and is conservative. The power is the recommended maximum input voltage times the current. The junction temperature is then the ambient temperature plus the power times the junction-to-air thermal resistance.

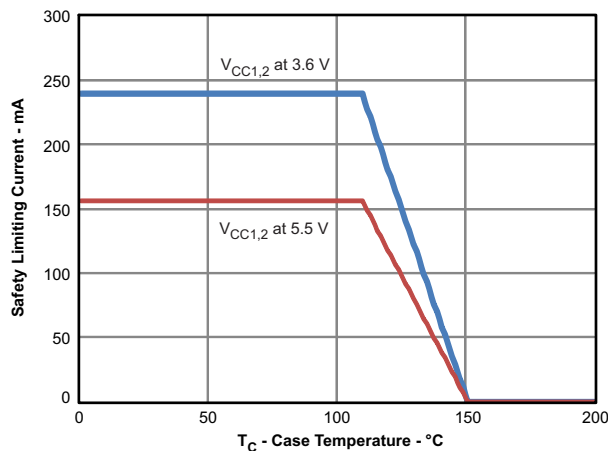


Figure 17. SOIC-16 θ_{JC} Thermal Derating Curve per VDE

9.3.5 Regulatory Information

VDE	CSA	UL
Certified according to DIN V VDE V 0884-10 (VDE V 0884-10):2006-12 and DIN EN 61010-1 (VDE 0411-1): 2011-07	Approved under CSA Component Acceptance Notice 5A	Recognized under UL 1577 Component Recognition Program
Basic Insulation Maximum Transient Overvoltage, 4000 V _{PK} Maximum Surge Voltage, 4000 V _{PK} Maximum Working Voltage, 560 V _{PK}	Basic insulation per CSA 60950-1-07 and IEC 60950-1 (2nd Ed), 395 V _{RMS} maximum working voltage, 4000 V _{PK} maximum isolation rating	Single protection, 2500 V _{RMS} ⁽¹⁾
Certificate Number: 40016131	Master Contract Number: 220991	File Number: E181974

(1) Production tested ≥ 3000 V_{RMS} for 1 second in accordance with UL 1577.

9.4 Device Functional Modes

Table 2. Device Function Table ISO724x⁽¹⁾

INPUT V _{CC}	OUTPUT V _{CC}	INPUT (IN)	OUTPUT ENABLE (EN)	OUTPUT (OUT)
PU	PU	H	H or Open	H
		L	H or Open	L
		X	L	Z
		Open	H or Open	H
PD	PU	X	H or Open	H
PD	PU	X	L	Z
X	PD	X	X	Undetermined

(1) PU = Powered Up; PD = Powered Down; X = Irrelevant; H = High Level; L = Low Level; Z = High Impedance; Open = Not Connected

Table 3. ISO7240CF Functions Table⁽¹⁾

V _{CC1}	V _{CC2}	DATA INPUT (IN)	DISABLE INPUT (DISABLE)	FAILSAFE CONTROL (CTRL)	DATA OUTPUT (OUT)
PU	PU	H	L or Open	X	H
PU	PU	L	L or Open	X	L
X	PU	X	H	H or Open	H
X	PU	X	H	L	L
PD	PU	X	X	H or Open	H
PD	PU	X	X	L	L
X	PD	X	X	X	Undetermined

(1) PU = Powered Up; PD = Powered Down; X = Irrelevant; H = High Level; L = Low Level; Z = High Impedance; Open = Not Connected

9.4.1 Device I/O Schematics

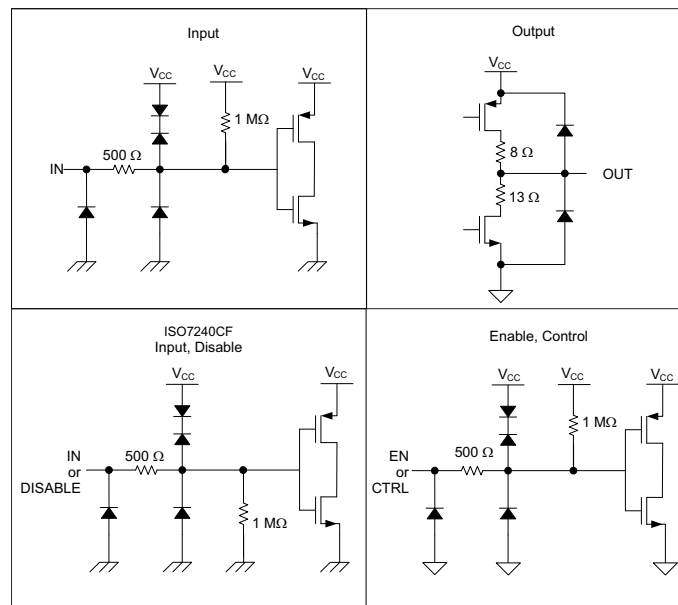


Figure 18. Device I/O Schematics

10 Application and Implementation

NOTE

Information in the following applications sections is not part of the TI component specification, and TI does not warrant its accuracy or completeness. TI's customers are responsible for determining suitability of components for their purposes. Customers should validate and test their design implementation to confirm system functionality.

10.1 Application Information

ISO724x use single-ended TTL or CMOS-logic switching technology. Its supply voltage range is from 3.15 V to 5.5 V for both supplies, V_{CC1} and V_{CC2} . When designing with digital isolators, it is important to keep in mind that due to the single-ended design structure, digital isolators do not conform to any specific interface standard and are only intended for isolating single-ended CMOS or TTL digital signal lines. The isolator is typically placed between the data controller (that is, μ C or UART), and a data converter or a line transceiver, regardless of the interface type or standard.

10.2 Typical Application

10.2.1 Isolated Data Acquisition System for Process Control

ISO724x can be used with Texas Instruments' precision analog-to-digital converter and mixed signal micro-controller to create an advanced isolated data acquisition system as shown in Figure 19.

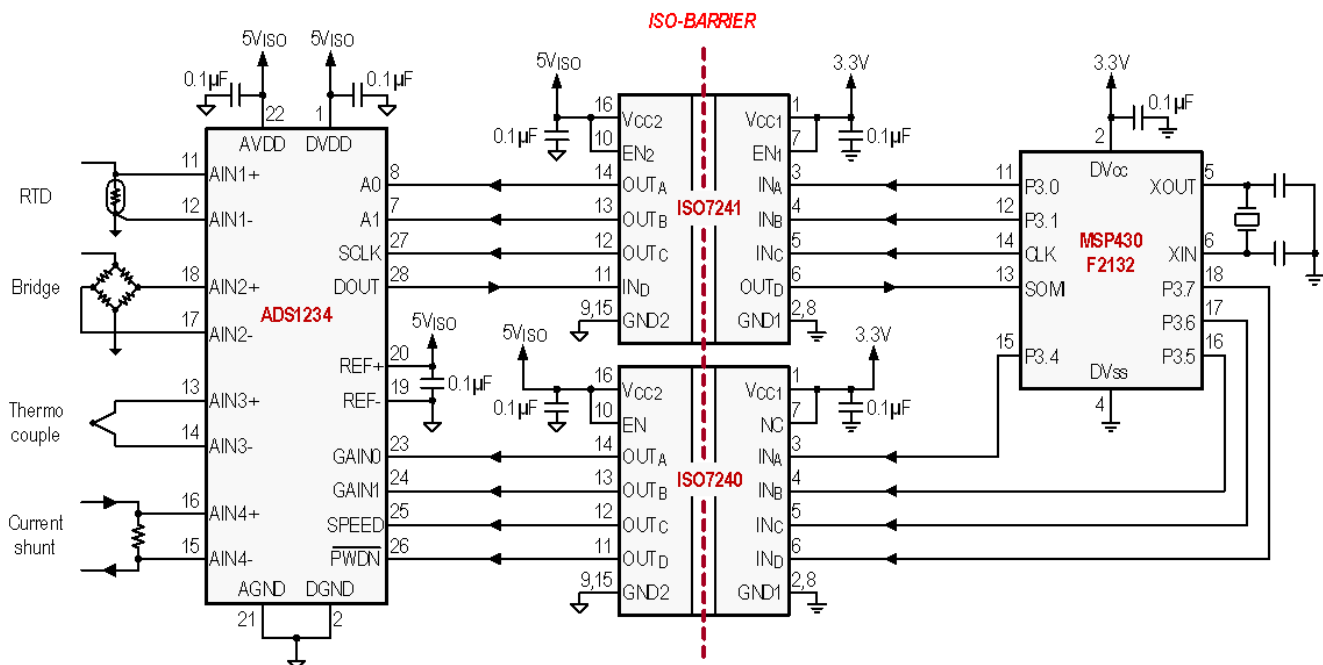


Figure 19. Isolated Data Acquisition System for Process Control

10.2.1.1 Design Requirements

Unlike optocouplers, which need external components to improve performance, provide bias, or limit current, ISO724x only needs two external bypass capacitors to operate.

Typical Application (continued)

10.2.1.2 Detailed Design Procedure

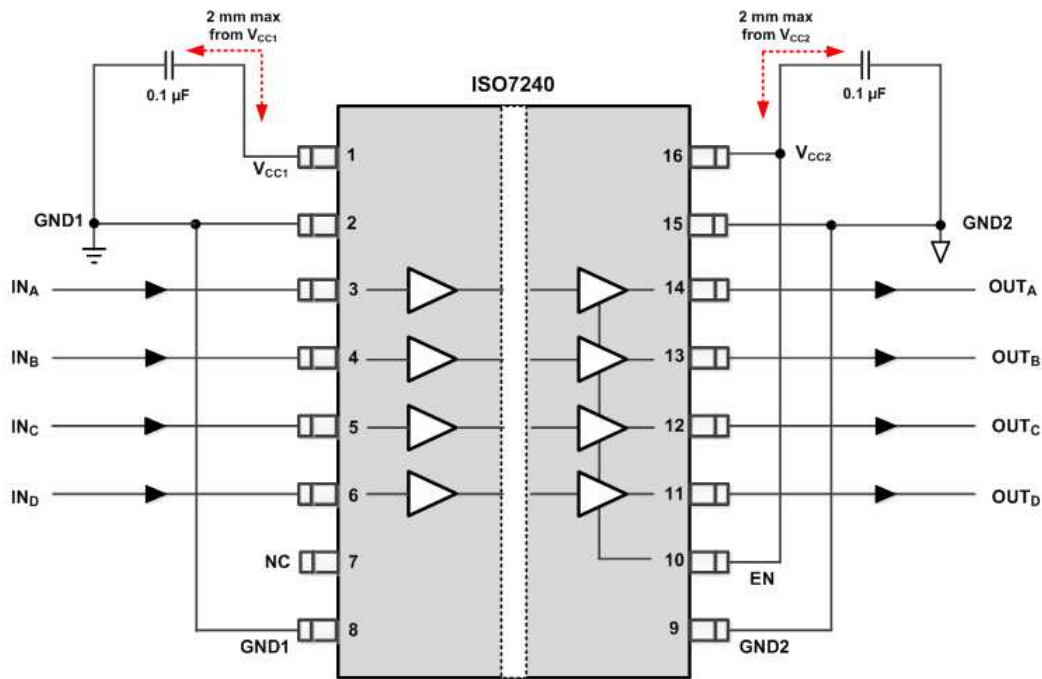


Figure 20. ISO7240 Typical Circuit Hook-Up

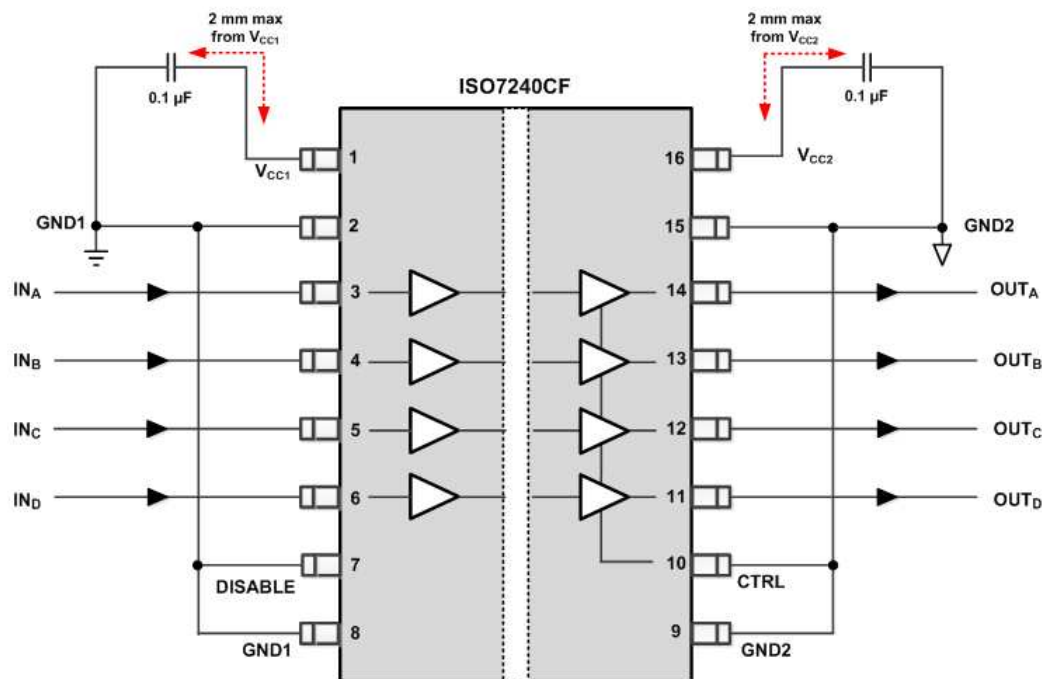


Figure 21. ISO7240CF Typical Circuit Hook-Up

Typical Application (continued)

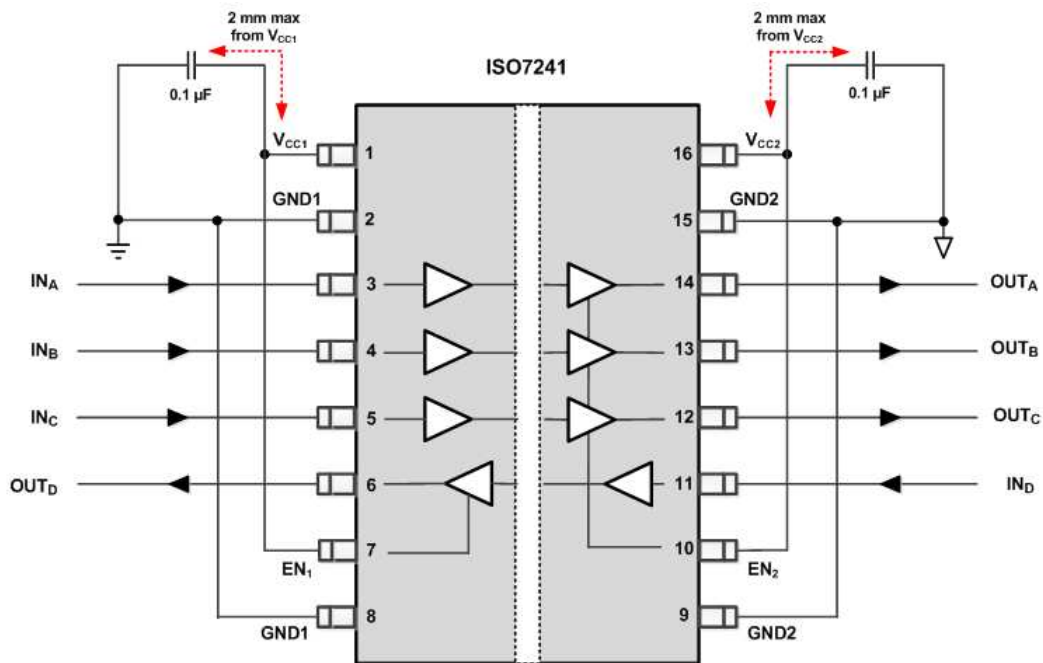


Figure 22. ISO7241 Typical Circuit Hook-Up

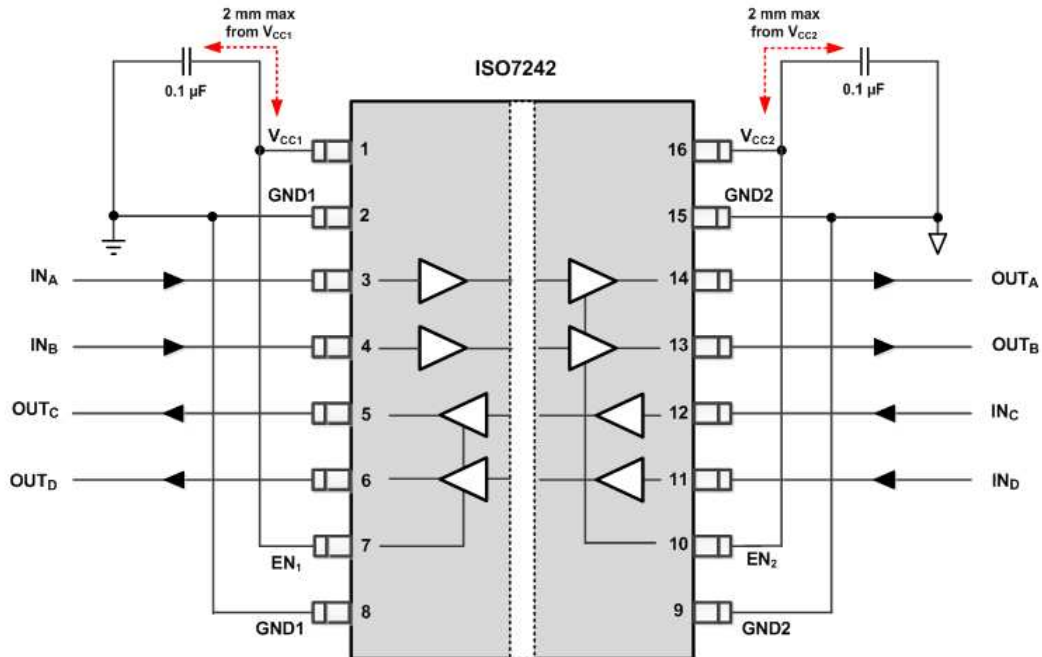


Figure 23. ISO7242 Typical Circuit Hook-Up

Typical Application (continued)

10.2.1.3 Application Curve

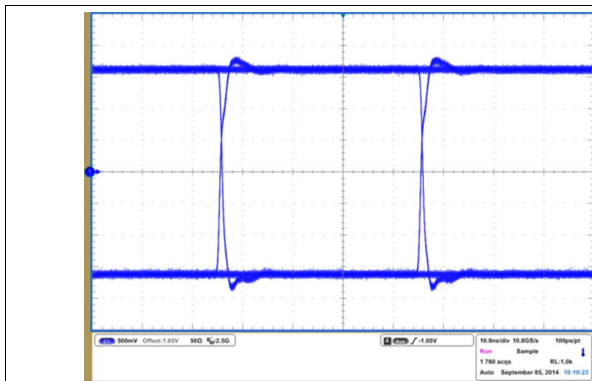


Figure 24. ISO7242M Eye Diagram at 25 Mbps, 3.3 V and 25°C

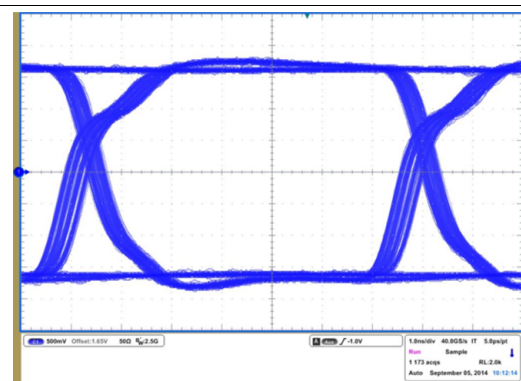


Figure 25. ISO7242M Eye Diagram at 150 Mbps, 3.3 V and 25°C

Typical Application (continued)

10.2.2 Isolated SPI Interface for an Analog Input Module with 16 Inputs

ISO7241 and several other components from Texas Instruments can be used to create an isolated SPI interface for input module with 16 inputs.

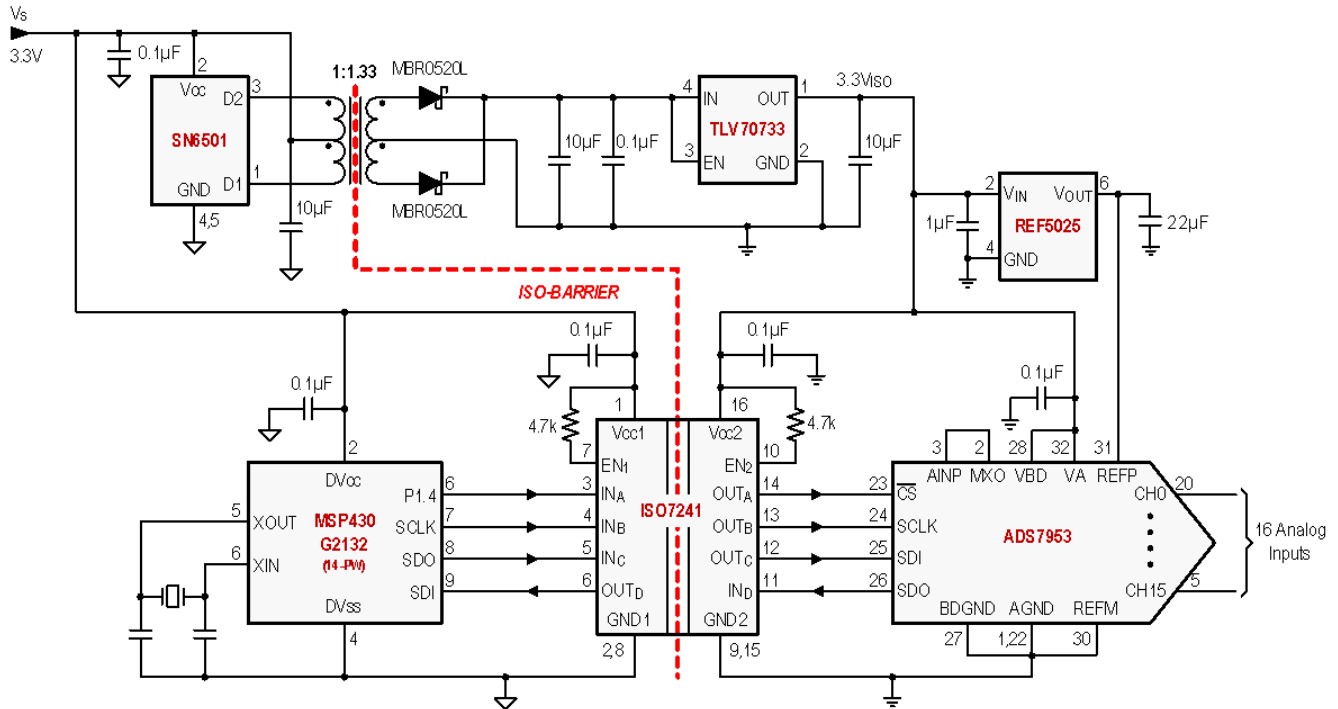


Figure 26. Isolated SPI Interface for an Analog Input Module with 16 Inputs

10.2.2.1 Design Requirements

See previous [Design Requirements](#).

10.2.2.2 Detailed Design Procedure

See previous [Detailed Design Procedure](#).

10.2.2.3 Application Curve

See previous [Application Curve](#).

Typical Application (continued)

10.2.3 Isolated RS-232 Interface

Typical isolated RS-232 interface implementation is shown in Figure 27.

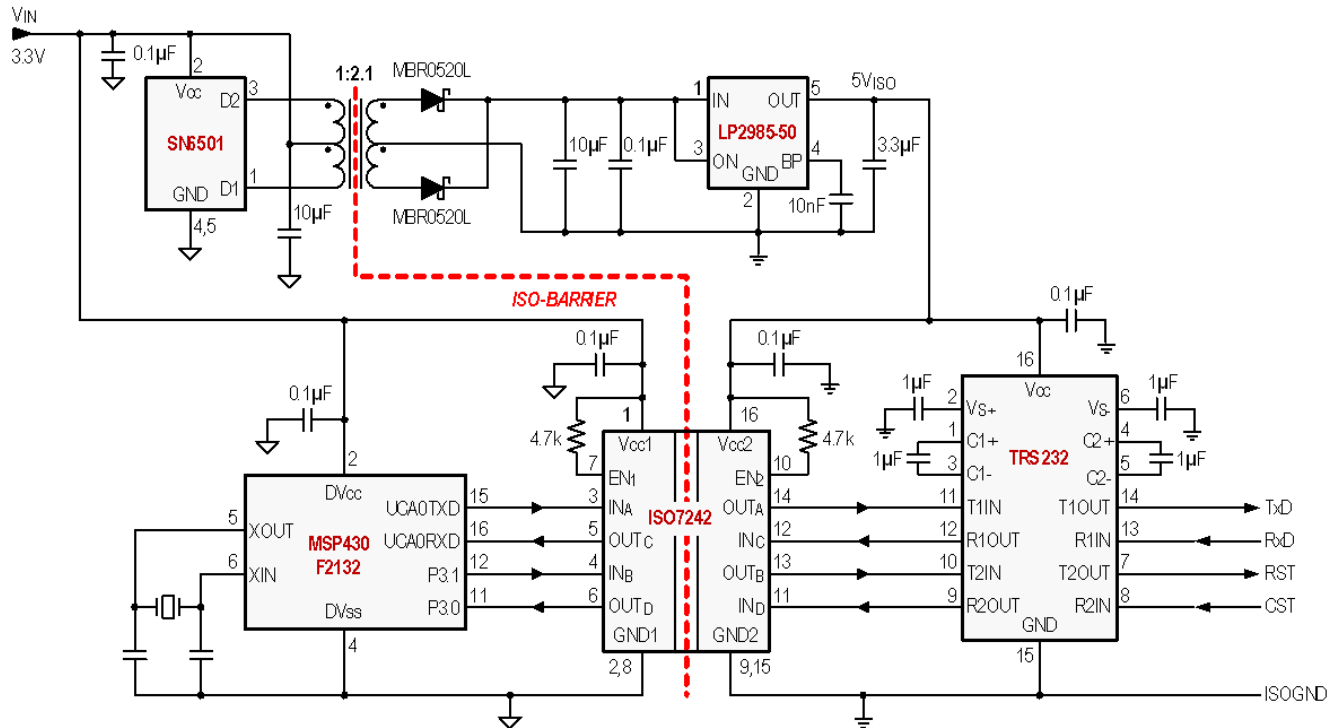


Figure 27. Isolated RS-232 Interface

10.2.3.1 Design Requirements

See previous [Design Requirements](#).

10.2.3.2 Detailed Design Procedure

See previous [Detailed Design Procedure](#).

10.2.3.3 Application Curve

See previous [Application Curve](#).

11 Power Supply Recommendations

To ensure reliable operation at all data rates and supply voltages, a 0.1 μF bypass capacitor is recommended at input and output supply pins (V_{CC1} and V_{CC2}). The capacitors should be placed as close to the supply pins as possible. If only a single primary-side power supply is available in an application, isolated power can be generated for the secondary-side with the help of a transformer driver such as Texas Instruments SN6501 data sheet. For such applications, detailed power supply design and transformer selection recommendations are available in SN6501 data sheet ([SLLSEA0](#)).

12 Layout

12.1 Layout Guidelines

A minimum of four layers is required to accomplish a low EMI PCB design (see [Figure 28](#)). Layer stacking should be in the following order (top-to-bottom): high-speed signal layer, ground plane, power plane and low-frequency signal layer.

- Routing the high-speed traces on the top layer avoids the use of vias (and the introduction of their inductances) and allows for clean interconnects between the isolator and the transmitter and receiver circuits of the data link.
- Placing a solid ground plane next to the high-speed signal layer establishes controlled impedance for transmission line interconnects and provides an excellent low-inductance path for the return current flow.
- Placing the power plane next to the ground plane creates additional high-frequency bypass capacitance of approximately $100\text{pF}/\text{in}^2$.
- Routing the slower speed control signals on the bottom layer allows for greater flexibility as these signal links usually have margin to tolerate discontinuities such as vias.

If an additional supply voltage plane or signal layer is needed, add a second power/ground plane system to the stack to keep it symmetrical. This makes the stack mechanically stable and prevents it from warping. Also the power and ground plane of each power system can be placed closer together, thus increasing the high-frequency bypass capacitance significantly. For detailed layout recommendations, see Application Note [SLLA284](#), *Digital Isolator Design Guide*.

12.1.1 PCB Material

For digital circuit boards operating below 150 Mbps, (or rise and fall times higher than 1 ns), and trace lengths of up to 10 inches, use standard FR-4 epoxy-glass as PCB material. FR-4 (Flame Retardant 4) meets the requirements of Underwriters Laboratories UL94-V0, and is preferred over cheaper alternatives due to its lower dielectric losses at high frequencies, less moisture absorption, greater strength and stiffness, and its self-extinguishing flammability-characteristics.

12.2 Layout Example

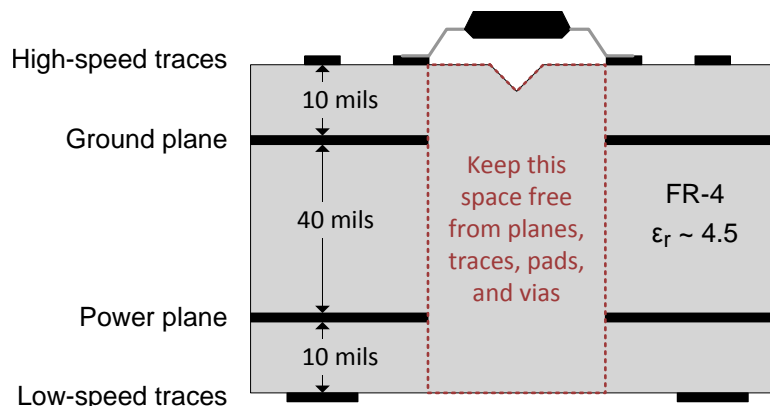


Figure 28. Recommended Layer Stack

13 Device and Documentation Support

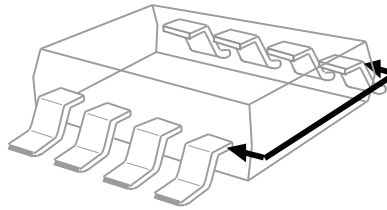
13.1 Device Support

13.1.1 Isolation Glossary

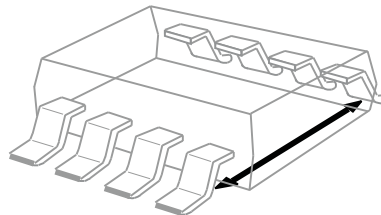
Primary Circuit — A circuit that is directly connected to an external mains supply for its power needs.

Secondary Circuit — A circuit that has no direct connection to a primary circuit and derives its power from a transformer, converter or equivalent isolation device, or from a battery.

Creepage — The shortest distance between two conductive parts measured along the surface of a solid insulation. The shortest path is typically found around the end of the package body.



Clearance — The shortest distance between two conductive parts measured through air.



Isolation Capacitance (C_{IO}) — The total capacitance between the terminals on a first side of the isolation barrier connected together and the terminals on a second side of the isolation barrier connected together forming a two-terminal device.

Isolation Resistance (R_{IO}) — The resistance between the terminals on a first side of the isolation barrier connected together and all the terminals on a second side of the isolation barrier connected together forming a two-terminal device.

Rated Isolation Voltages — The maximum voltage between all input terminals (connected together) and all output terminals (connected together) respectively.

Maximum Rated Isolation Working Voltage (V_{IOWM}) — An r.m.s or equivalent d.c. voltage assigned by the manufacturer, characterizing the specified long term withstand capability of its isolation.

Maximum Rated Repetitive Peak Isolation Voltage (V_{IORM}) — A peak voltage assigned by the manufacturer, characterizing the specified withstand capability of its isolation against repetitive peak voltages. It includes all repetitive transient voltages, but excludes all non-repetitive transient voltages.

Maximum Rated Transient Isolation Voltage (V_{IOTM}) — A peak impulse voltage assigned by the manufacturer, characterizing the specified withstand capability of its isolation against transient overvoltages.

Withstand Isolation Voltage (V_{ISO}) — Maximum AC r.m.s. isolation voltage for one minute.

Surge Isolation Voltage (V_{IOSM}) — The highest instantaneous value of an isolation voltage pulse with short time duration and of specified wave shape.

Partial Discharge — Localized electrical discharge which occurs in the insulation between all terminals of the first side and all terminals of the second side of the coupler.

Device Support (continued)

Comparative Tracking Index (CTI) — CTI is an index used for electrical insulating materials that is defined as the numerical value of the voltage which causes failure by tracking during standard testing. Tracking is the process that produces a partially conducting path of localized deterioration on or through the surface of an insulating material as a result of the action of electric discharges on or close to an insulation surface -- the higher the CTI value of the insulating material, the smaller the minimum creepage distance required.

Generally, insulation breakdown occurs either through the material, over its surface, or both. Surface failure may arise from flashover or from the progressive degradation of the insulation surface by small localized sparks. Such sparks are the result of the breaking of a surface film of conducting contaminant on the insulation. The resulting break in the leakage current produces an overvoltage at the site of the discontinuity, and an electric spark is generated. These sparks often cause carbonization on insulation material and lead to a carbon track between points of different potential. This process is known as *tracking*.

Material Groups — Materials are classified into four groups according to their CTI values. These values are determined in accordance with IEC 60112. The groups are as follows:

- Material group I: $600V \leq CTI$
- Material group II: $400V \leq CTI < 600$
- Material group II: $175V \leq CTI < 400$
- Material group II: $100V \leq CTI < 175$

13.1.1.1 Insulation:

Functional insulation — Insulation needed for the correct operation of the equipment.

Basic insulation — Insulation that provides basic protection against electric shock.

Supplementary insulation — Independent insulation applied in addition to basic insulation in order to ensure protection against electric shock in the event of a failure of the basic insulation.

Double insulation — Insulation comprising both basic and supplementary insulation.

Reinforced insulation — A single insulation system which provides a degree of protection against electric shock equivalent to double insulation.

13.1.1.2 Pollution Degree:

Pollution is any addition of foreign matter, solid, liquid, or gaseous that can result in a reduction of electric strength or surface resistivity of the insulation. There are four categories of pollution:

Pollution Degree 1 — No pollution or only dry, nonconductive pollution occurs. The pollution has no influence.

Pollution Degree 2 — Only nonconductive pollution occurs. However, a temporary conductivity caused by condensation is to be expected.

Pollution Degree 3 — Conductive pollution occurs or dry non-conductive pollution occurs which becomes conductive due to condensation which is to be expected.

Pollution Degree 4 — Continuous conductivity occurs due to conductive dust, rain, or other wet conditions.

13.1.1.3 Overvoltage Categories and Installation Classification:

Overvoltage Categories define transient overvoltage conditions. There are four different levels as indicated in IEC 60664.

I: Signal level — Special protected equipment or parts of equipment, e.g., circuit board inside a DVD player.

II: Local level — Portable equipment that is supplied from the wall outlet, e.g., a DVD player

III: Distribution level — Equipment in fixed installation such as HVAC system, Washers / Dryers, etc.

IV: Primary supply level — Equipment for use at the origin of the installations such as overhead lines, cable systems, etc.

Lower level category is subject to smaller transients than the category above.

13.2 Documentation Support

13.2.1 Related Documentation

- [SLLA197](#), *High-Voltage Lifetime of the ISO72x Family of Digital Isolators*
- [SLLA181](#), *ISO72x Digital Isolator Magnetic-Field Immunity*
- [SLLSEA0](#), *SN6501 Transformer Driver for Isolated Power Supplies*
- [SLLA284](#), *Digital Isolator Design Guide*

13.3 Related Links

The table below lists quick access links. Categories include technical documents, support and community resources, tools and software, and quick access to sample or buy.

Table 4. Related Links

PARTS	PRODUCT FOLDER	SAMPLE & BUY	TECHNICAL DOCUMENTS	TOOLS & SOFTWARE	SUPPORT & COMMUNITY
ISO7240CF	Click here	Click here	Click here	Click here	Click here
ISO7240C	Click here	Click here	Click here	Click here	Click here
ISO7240M	Click here	Click here	Click here	Click here	Click here
ISO7241C	Click here	Click here	Click here	Click here	Click here
ISO7241M	Click here	Click here	Click here	Click here	Click here
ISO7242C	Click here	Click here	Click here	Click here	Click here
ISO7242M	Click here	Click here	Click here	Click here	Click here

13.4 Trademarks

All trademarks are the property of their respective owners.

13.5 Electrostatic Discharge Caution



These devices have limited built-in ESD protection. The leads should be shorted together or the device placed in conductive foam during storage or handling to prevent electrostatic damage to the MOS gates.

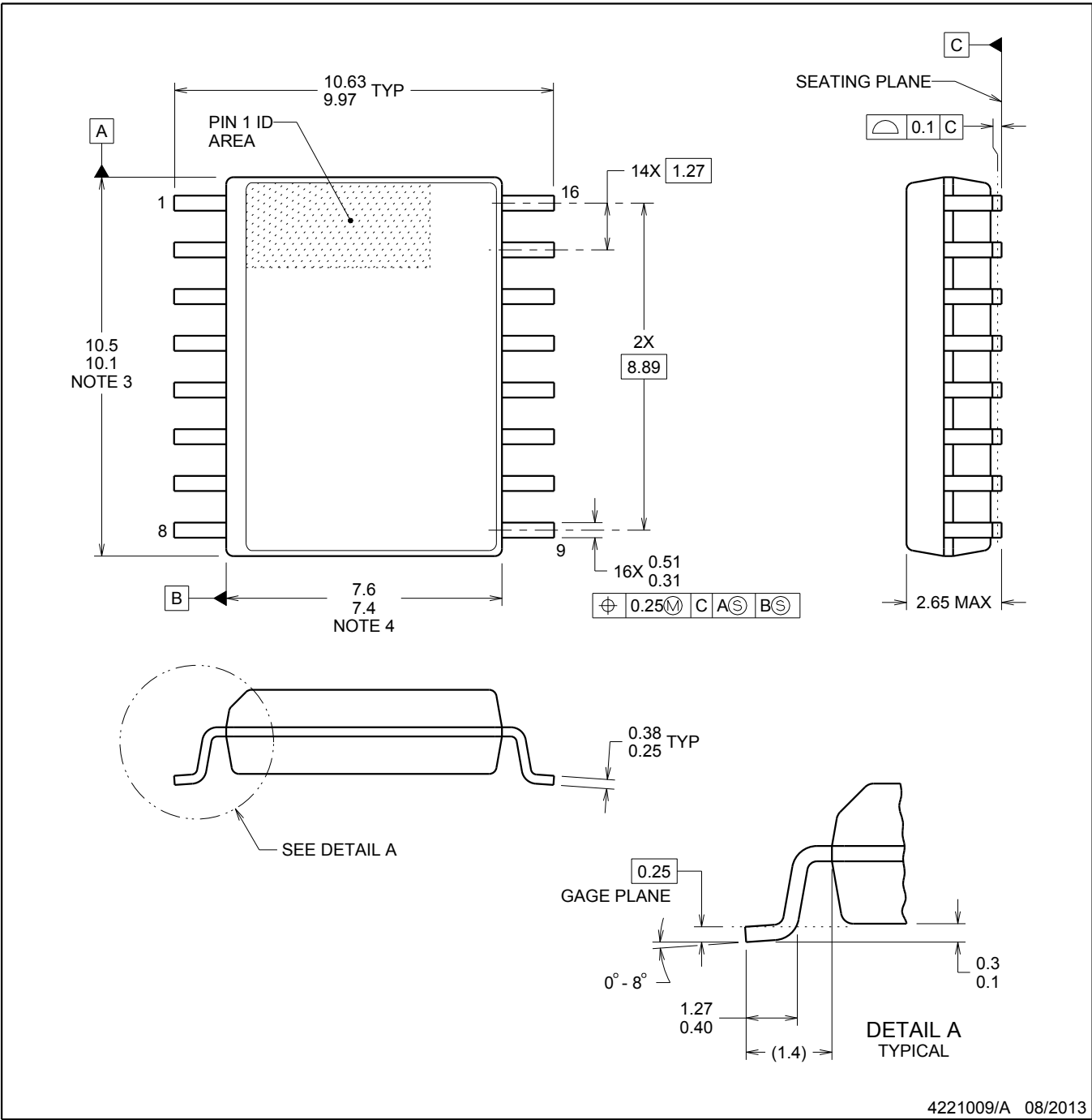
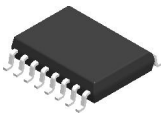
13.6 Glossary

[SLYZ022](#) — *TI Glossary*.

This glossary lists and explains terms, acronyms, and definitions.

14 Mechanical, Packaging, and Orderable Information

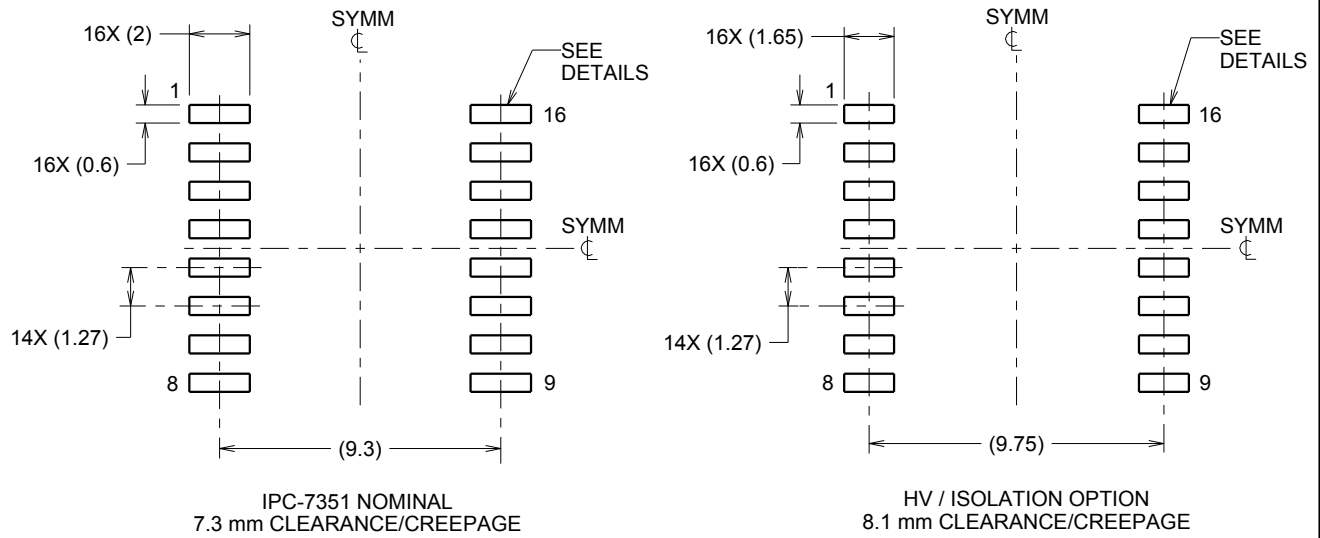
The following pages include mechanical, packaging, and orderable information. This information is the most current data available for the designated devices. This data is subject to change without notice and revision of this document. For browser-based versions of this data sheet, refer to the left-hand navigation.



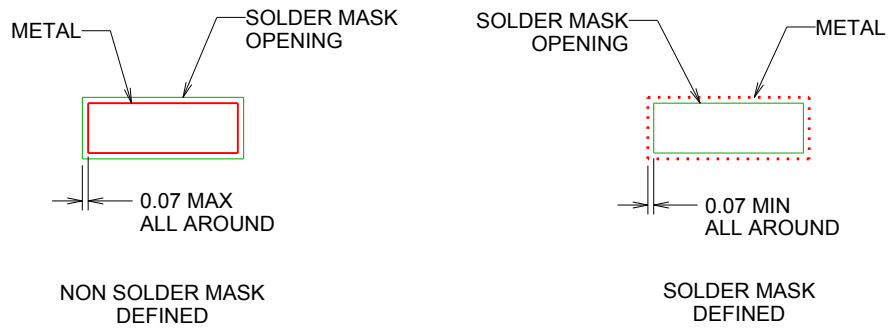
4221009/A 08/2013

NOTES:

1. All linear dimensions are in millimeters. Dimensions in parenthesis are for reference only. Dimensioning and tolerancing per ASME Y14.5M.
2. This drawing is subject to change without notice.
3. This dimension does not include mold flash, protrusions, or gate burrs. Mold flash, protrusions, or gate burrs shall not exceed 0.15 mm, per side.
4. This dimension does not include interlead flash. Interlead flash shall not exceed 0.25 mm, per side.
5. Reference JEDEC registration MO-013, variation AA.



LAND PATTERN EXAMPLE
SCALE:4X

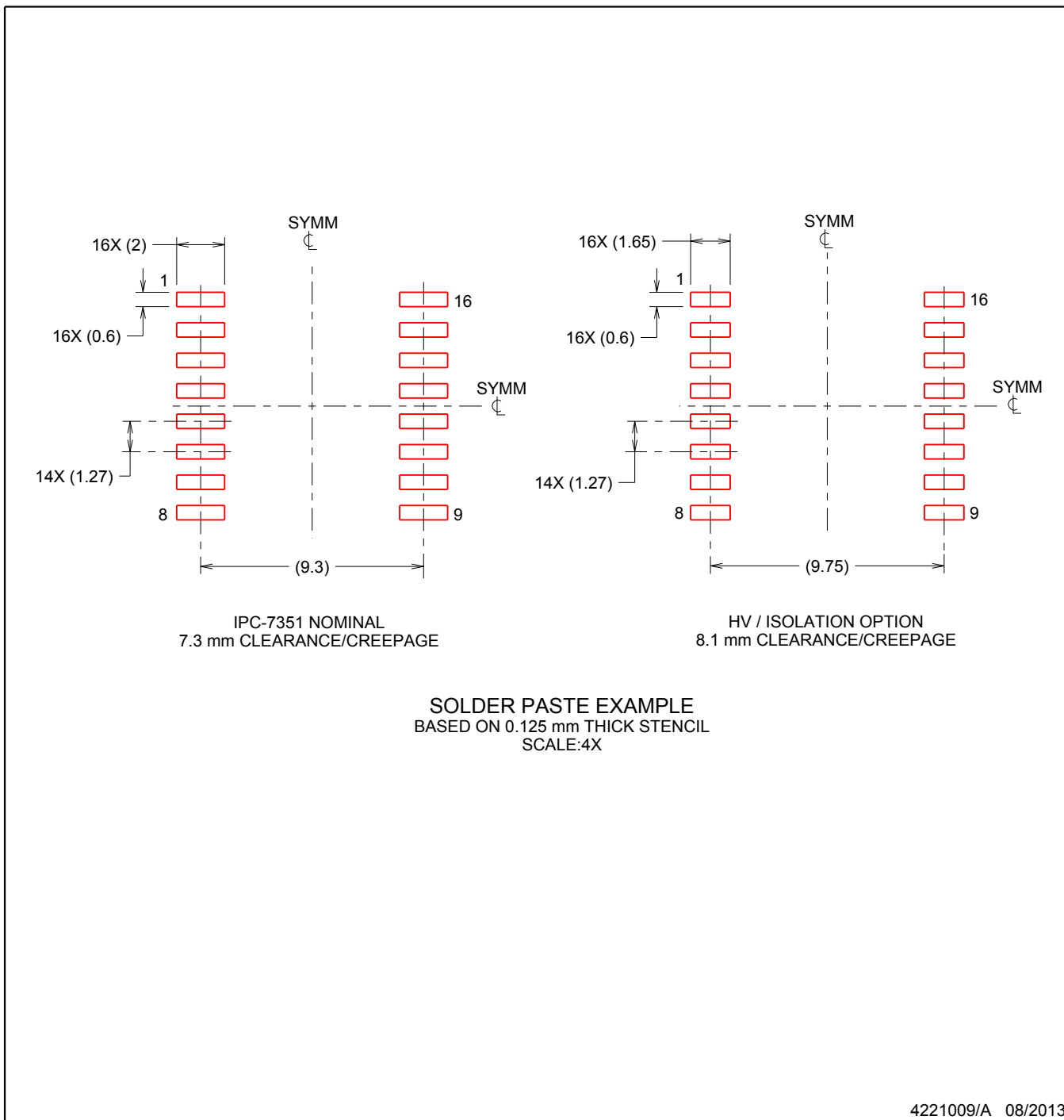


SOLDER MASK DETAILS

4221009/A 08/2013

NOTES: (continued)

- 6. Publication IPC-7351 may have alternate designs.
- 7. Solder mask tolerances between and around signal pads can vary based on board fabrication site.



NOTES: (continued)

- 8. Laser cutting apertures with trapezoidal walls and rounded corners may offer better paste release. IPC-7525 may have alternate design recommendations.
- 9. Board assembly site may have different recommendations for stencil design.

PACKAGING INFORMATION

Orderable Device	Status (1)	Package Type	Package Drawing	Pins	Package Qty	Eco Plan (2)	Lead/Ball Finish (6)	MSL Peak Temp (3)	Op Temp (°C)	Device Marking (4/5)	Samples
ISO7240CDW	ACTIVE	SOIC	DW	16	40	Green (RoHS & no Sb/Br)	CU NIPDAU	Level-3-260C-168 HR	-40 to 125	ISO7240C	Samples
ISO7240CDWG4	ACTIVE	SOIC	DW	16	40	Green (RoHS & no Sb/Br)	CU NIPDAU	Level-3-260C-168 HR	-40 to 125	ISO7240C	Samples
ISO7240CDWR	ACTIVE	SOIC	DW	16	2000	Green (RoHS & no Sb/Br)	CU NIPDAU	Level-3-260C-168 HR	-40 to 125	ISO7240C	Samples
ISO7240CDWRG4	ACTIVE	SOIC	DW	16	2000	Green (RoHS & no Sb/Br)	CU NIPDAU	Level-3-260C-168 HR	-40 to 125	ISO7240C	Samples
ISO7240CFDW	ACTIVE	SOIC	DW	16	40	Green (RoHS & no Sb/Br)	CU NIPDAU	Level-3-260C-168 HR	-40 to 125	ISO7240CF	Samples
ISO7240CFDWG4	ACTIVE	SOIC	DW	16	40	Green (RoHS & no Sb/Br)	CU NIPDAU	Level-3-260C-168 HR	-40 to 125	ISO7240CF	Samples
ISO7240CFDWR	ACTIVE	SOIC	DW	16	2000	Green (RoHS & no Sb/Br)	CU NIPDAU	Level-3-260C-168 HR	-40 to 125	ISO7240CF	Samples
ISO7240MDW	ACTIVE	SOIC	DW	16	40	Green (RoHS & no Sb/Br)	CU NIPDAU	Level-3-260C-168 HR	-40 to 125	ISO7240M	Samples
ISO7240MDWG4	ACTIVE	SOIC	DW	16	40	Green (RoHS & no Sb/Br)	CU NIPDAU	Level-3-260C-168 HR	-40 to 125	ISO7240M	Samples
ISO7240MDWR	ACTIVE	SOIC	DW	16	2000	Green (RoHS & no Sb/Br)	CU NIPDAU	Level-3-260C-168 HR	-40 to 125	ISO7240M	Samples
ISO7240MDWRG4	ACTIVE	SOIC	DW	16	2000	Green (RoHS & no Sb/Br)	CU NIPDAU	Level-3-260C-168 HR	-40 to 125	ISO7240M	Samples
ISO7241CDW	ACTIVE	SOIC	DW	16	40	Green (RoHS & no Sb/Br)	CU NIPDAU	Level-3-260C-168 HR	-40 to 125	ISO7241C	Samples
ISO7241CDWG4	ACTIVE	SOIC	DW	16	40	Green (RoHS & no Sb/Br)	CU NIPDAU	Level-3-260C-168 HR	-40 to 125	ISO7241C	Samples
ISO7241CDWR	ACTIVE	SOIC	DW	16	2000	Green (RoHS & no Sb/Br)	CU NIPDAU	Level-3-260C-168 HR	-40 to 125	ISO7241C	Samples
ISO7241CDWRG4	ACTIVE	SOIC	DW	16	2000	Green (RoHS & no Sb/Br)	CU NIPDAU	Level-3-260C-168 HR	-40 to 125	ISO7241C	Samples
ISO7241MDW	ACTIVE	SOIC	DW	16	40	Green (RoHS & no Sb/Br)	CU NIPDAU	Level-3-260C-168 HR	-40 to 125	ISO7241M	Samples
ISO7241MDWG4	ACTIVE	SOIC	DW	16	40	Green (RoHS & no Sb/Br)	CU NIPDAU	Level-3-260C-168 HR	-40 to 125	ISO7241M	Samples

Orderable Device	Status (1)	Package Type	Package Drawing	Pins	Package Qty	Eco Plan (2)	Lead/Ball Finish (6)	MSL Peak Temp (3)	Op Temp (°C)	Device Marking (4/5)	Samples
ISO7241MDWR	ACTIVE	SOIC	DW	16	2000	Green (RoHS & no Sb/Br)	CU NIPDAU	Level-3-260C-168 HR	-40 to 125	ISO7241M	Samples
ISO7241MDWRG4	ACTIVE	SOIC	DW	16	2000	Green (RoHS & no Sb/Br)	CU NIPDAU	Level-3-260C-168 HR	-40 to 125	ISO7241M	Samples
ISO7242CDW	ACTIVE	SOIC	DW	16	40	Green (RoHS & no Sb/Br)	CU NIPDAU	Level-3-260C-168 HR	-40 to 125	ISO7242C	Samples
ISO7242CDWG4	ACTIVE	SOIC	DW	16	40	Green (RoHS & no Sb/Br)	CU NIPDAU	Level-3-260C-168 HR	-40 to 125	ISO7242C	Samples
ISO7242CDWR	ACTIVE	SOIC	DW	16	2000	Green (RoHS & no Sb/Br)	CU NIPDAU	Level-3-260C-168 HR	-40 to 125	ISO7242C	Samples
ISO7242MDW	ACTIVE	SOIC	DW	16	40	Green (RoHS & no Sb/Br)	CU NIPDAU	Level-3-260C-168 HR	-40 to 125	ISO7242M	Samples
ISO7242MDWG4	ACTIVE	SOIC	DW	16	40	Green (RoHS & no Sb/Br)	CU NIPDAU	Level-3-260C-168 HR	-40 to 125	ISO7242M	Samples
ISO7242MDWR	ACTIVE	SOIC	DW	16	2000	Green (RoHS & no Sb/Br)	CU NIPDAU	Level-3-260C-168 HR	-40 to 125	ISO7242M	Samples
ISO7242MDWRG4	ACTIVE	SOIC	DW	16	2000	Green (RoHS & no Sb/Br)	CU NIPDAU	Level-3-260C-168 HR	-40 to 125	ISO7242M	Samples

(1) The marketing status values are defined as follows:

ACTIVE: Product device recommended for new designs.

LIFEBUY: TI has announced that the device will be discontinued, and a lifetime-buy period is in effect.

NRND: Not recommended for new designs. Device is in production to support existing customers, but TI does not recommend using this part in a new design.

PREVIEW: Device has been announced but is not in production. Samples may or may not be available.

OBsolete: TI has discontinued the production of the device.

(2) Eco Plan - The planned eco-friendly classification: Pb-Free (RoHS), Pb-Free (RoHS Exempt), or Green (RoHS & no Sb/Br) - please check <http://www.ti.com/productcontent> for the latest availability information and additional product content details.

TBD: The Pb-Free/Green conversion plan has not been defined.

Pb-Free (RoHS): TI's terms "Lead-Free" or "Pb-Free" mean semiconductor products that are compatible with the current RoHS requirements for all 6 substances, including the requirement that lead not exceed 0.1% by weight in homogeneous materials. Where designed to be soldered at high temperatures, TI Pb-Free products are suitable for use in specified lead-free processes.

Pb-Free (RoHS Exempt): This component has a RoHS exemption for either 1) lead-based flip-chip solder bumps used between the die and package, or 2) lead-based die adhesive used between the die and leadframe. The component is otherwise considered Pb-Free (RoHS compatible) as defined above.

Green (RoHS & no Sb/Br): TI defines "Green" to mean Pb-Free (RoHS compatible), and free of Bromine (Br) and Antimony (Sb) based flame retardants (Br or Sb do not exceed 0.1% by weight in homogeneous material)

(3) MSL, Peak Temp. - The Moisture Sensitivity Level rating according to the JEDEC industry standard classifications, and peak solder temperature.

(4) There may be additional marking, which relates to the logo, the lot trace code information, or the environmental category on the device.

(5) Multiple Device Markings will be inside parentheses. Only one Device Marking contained in parentheses and separated by a "~" will appear on a device. If a line is indented then it is a continuation of the previous line and the two combined represent the entire Device Marking for that device.

(6) Lead/Ball Finish - Orderable Devices may have multiple material finish options. Finish options are separated by a vertical ruled line. Lead/Ball Finish values may wrap to two lines if the finish value exceeds the maximum column width.

Important Information and Disclaimer:The information provided on this page represents TI's knowledge and belief as of the date that it is provided. TI bases its knowledge and belief on information provided by third parties, and makes no representation or warranty as to the accuracy of such information. Efforts are underway to better integrate information from third parties. TI has taken and continues to take reasonable steps to provide representative and accurate information but may not have conducted destructive testing or chemical analysis on incoming materials and chemicals. TI and TI suppliers consider certain information to be proprietary, and thus CAS numbers and other limited information may not be available for release.

In no event shall TI's liability arising out of such information exceed the total purchase price of the TI part(s) at issue in this document sold by TI to Customer on an annual basis.

OTHER QUALIFIED VERSIONS OF ISO7240CF, ISO7241C, ISO7242C :

- Automotive: [ISO7240CF-Q1](#), [ISO7241C-Q1](#), [ISO7242C-Q1](#)

NOTE: Qualified Version Definitions:

- Automotive - Q100 devices qualified for high-reliability automotive applications targeting zero defects

TAPE AND REEL INFORMATION

QUADRANT ASSIGNMENTS FOR PIN 1 ORIENTATION IN TAPE


*All dimensions are nominal

Device	Package Type	Package Drawing	Pins	SPQ	Reel Diameter (mm)	Reel Width W1 (mm)	A0 (mm)	B0 (mm)	K0 (mm)	P1 (mm)	W (mm)	Pin1 Quadrant
ISO7240CDWR	SOIC	DW	16	2000	330.0	16.4	10.75	10.7	2.7	12.0	16.0	Q1
ISO7240CFDWR	SOIC	DW	16	2000	330.0	16.4	10.75	10.7	2.7	12.0	16.0	Q1
ISO7240MDWR	SOIC	DW	16	2000	330.0	16.4	10.75	10.7	2.7	12.0	16.0	Q1
ISO7241CDWR	SOIC	DW	16	2000	330.0	16.4	10.75	10.7	2.7	12.0	16.0	Q1
ISO7241MDWR	SOIC	DW	16	2000	330.0	16.4	10.75	10.7	2.7	12.0	16.0	Q1
ISO7242CDWR	SOIC	DW	16	2000	330.0	16.4	10.75	10.7	2.7	12.0	16.0	Q1
ISO7242MDWR	SOIC	DW	16	2000	330.0	16.4	10.75	10.7	2.7	12.0	16.0	Q1

TAPE AND REEL BOX DIMENSIONS


*All dimensions are nominal

Device	Package Type	Package Drawing	Pins	SPQ	Length (mm)	Width (mm)	Height (mm)
ISO7240CDWR	SOIC	DW	16	2000	367.0	367.0	38.0
ISO7240CFDWR	SOIC	DW	16	2000	367.0	367.0	38.0
ISO7240MDWR	SOIC	DW	16	2000	367.0	367.0	38.0
ISO7241CDWR	SOIC	DW	16	2000	367.0	367.0	38.0
ISO7241MDWR	SOIC	DW	16	2000	367.0	367.0	38.0
ISO7242CDWR	SOIC	DW	16	2000	367.0	367.0	38.0
ISO7242MDWR	SOIC	DW	16	2000	367.0	367.0	38.0

IMPORTANT NOTICE

Texas Instruments Incorporated and its subsidiaries (TI) reserve the right to make corrections, enhancements, improvements and other changes to its semiconductor products and services per JESD46, latest issue, and to discontinue any product or service per JESD48, latest issue. Buyers should obtain the latest relevant information before placing orders and should verify that such information is current and complete. All semiconductor products (also referred to herein as "components") are sold subject to TI's terms and conditions of sale supplied at the time of order acknowledgment.

TI warrants performance of its components to the specifications applicable at the time of sale, in accordance with the warranty in TI's terms and conditions of sale of semiconductor products. Testing and other quality control techniques are used to the extent TI deems necessary to support this warranty. Except where mandated by applicable law, testing of all parameters of each component is not necessarily performed.

TI assumes no liability for applications assistance or the design of Buyers' products. Buyers are responsible for their products and applications using TI components. To minimize the risks associated with Buyers' products and applications, Buyers should provide adequate design and operating safeguards.

TI does not warrant or represent that any license, either express or implied, is granted under any patent right, copyright, mask work right, or other intellectual property right relating to any combination, machine, or process in which TI components or services are used. Information published by TI regarding third-party products or services does not constitute a license to use such products or services or a warranty or endorsement thereof. Use of such information may require a license from a third party under the patents or other intellectual property of the third party, or a license from TI under the patents or other intellectual property of TI.

Reproduction of significant portions of TI information in TI data books or data sheets is permissible only if reproduction is without alteration and is accompanied by all associated warranties, conditions, limitations, and notices. TI is not responsible or liable for such altered documentation. Information of third parties may be subject to additional restrictions.

Resale of TI components or services with statements different from or beyond the parameters stated by TI for that component or service voids all express and any implied warranties for the associated TI component or service and is an unfair and deceptive business practice. TI is not responsible or liable for any such statements.

Buyer acknowledges and agrees that it is solely responsible for compliance with all legal, regulatory and safety-related requirements concerning its products, and any use of TI components in its applications, notwithstanding any applications-related information or support that may be provided by TI. Buyer represents and agrees that it has all the necessary expertise to create and implement safeguards which anticipate dangerous consequences of failures, monitor failures and their consequences, lessen the likelihood of failures that might cause harm and take appropriate remedial actions. Buyer will fully indemnify TI and its representatives against any damages arising out of the use of any TI components in safety-critical applications.

In some cases, TI components may be promoted specifically to facilitate safety-related applications. With such components, TI's goal is to help enable customers to design and create their own end-product solutions that meet applicable functional safety standards and requirements. Nonetheless, such components are subject to these terms.

No TI components are authorized for use in FDA Class III (or similar life-critical medical equipment) unless authorized officers of the parties have executed a special agreement specifically governing such use.

Only those TI components which TI has specifically designated as military grade or "enhanced plastic" are designed and intended for use in military/aerospace applications or environments. Buyer acknowledges and agrees that any military or aerospace use of TI components which have **not** been so designated is solely at the Buyer's risk, and that Buyer is solely responsible for compliance with all legal and regulatory requirements in connection with such use.

TI has specifically designated certain components as meeting ISO/TS16949 requirements, mainly for automotive use. In any case of use of non-designated products, TI will not be responsible for any failure to meet ISO/TS16949.

Products

Audio	www.ti.com/audio
Amplifiers	amplifier.ti.com
Data Converters	dataconverter.ti.com
DLP® Products	www.dlp.com
DSP	dsp.ti.com
Clocks and Timers	www.ti.com/clocks
Interface	interface.ti.com
Logic	logic.ti.com
Power Mgmt	power.ti.com
Microcontrollers	microcontroller.ti.com
RFID	www.ti-rfid.com
OMAP Applications Processors	www.ti.com/omap
Wireless Connectivity	www.ti.com/wirelessconnectivity

Applications

Automotive and Transportation	www.ti.com/automotive
Communications and Telecom	www.ti.com/communications
Computers and Peripherals	www.ti.com/computers
Consumer Electronics	www.ti.com/consumer-apps
Energy and Lighting	www.ti.com/energy
Industrial	www.ti.com/industrial
Medical	www.ti.com/medical
Security	www.ti.com/security
Space, Avionics and Defense	www.ti.com/space-avionics-defense
Video and Imaging	www.ti.com/video

TI E2E Community

e2e.ti.com