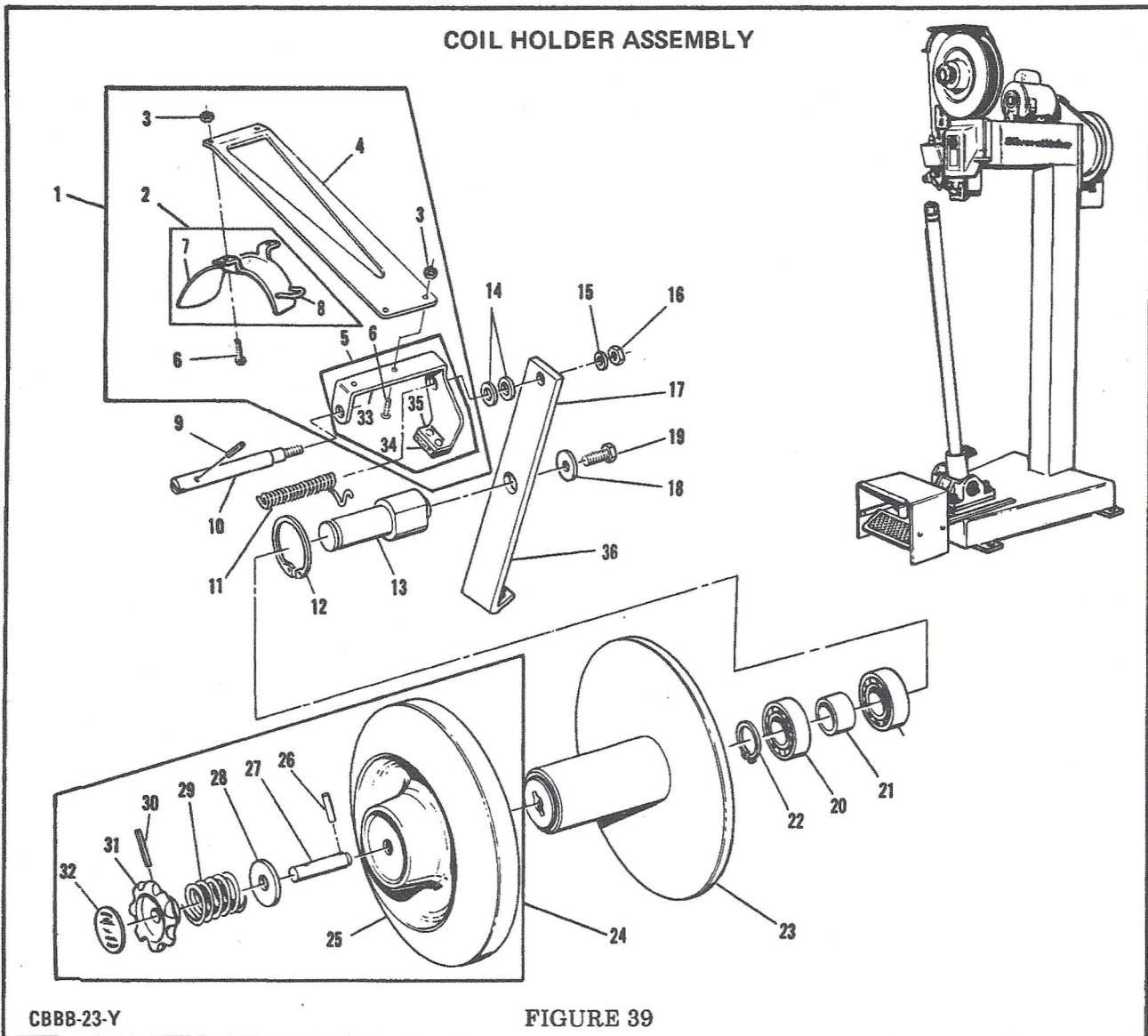


**PARTS LIST**



CBBB-23-Y

FIGURE 39

Index Number	Part Number	Part Name	Number Required	Index Number	Part Number	Part Name	Number Required
1	B-5603-A	Wire Guide Assembly Complete	1	19	CB-35-A	Screw	1
2	C-7433-A	Wire Guide Assembly	1	20	D-26889-F	Bearing	2
3	D-27398-F	5-40 N.C. Elastic Stop Nut	4	21	D-27394-F	Bearing Spacer	1
4	C-7432-F	Wire Guide Spring	1	22	D-26892-F	Retaining Ring	1
5	C-20528-A	Brake Bracket & Lining Assembly	1	23	CBB-24-A	Main Hub & Reel Plate Reel Assembly	1
6	D-27396-F	Round Hd. Machine Screw	4	24	CBBB-1787	Cover Assembly - Complete	1
7	C-7433-F	Guide	1	25	CBB-1787	Cover Assembly	1
8	CB-38	Staple	1	26	CB-1784	Drive-Lok Pin	1
9	D-25524-F	Roll Pin	1	27	CB1785	Stud	1
10	CB-2072	Brake Bracket Shaft	1	28	CB-1896	Washer	1
11	D-26894-F	Torsion Spring	1	29	D-24821-F	Cam Lock Spring	1
12	D-26893-F	Retaining Ring	1	30	D-25931-F	Roll Pin	1
13	CB-2071	Hub Shaft	1	31	D-24826-F	Knob	1
14	CB-2125	Washer	3	32	CB-1870	Decal	1
15	CB-371-B	Lockwasher	1	33	C-7507-F	Brake Bracket	1
16	CB-102-A	Nut	1	34	D-26886-F	Brake Lining	1
17	CB-8-L	Bracket	1	35	D-26887-F	Rivet	2
18	CB-175	Washer	1	36	CB-8-L	Bracket	1

# MODEL HF SILVERSTITCHER

## HEAD PLATE ASSEMBLY

(Includes wire feeding, straightening and forming parts)

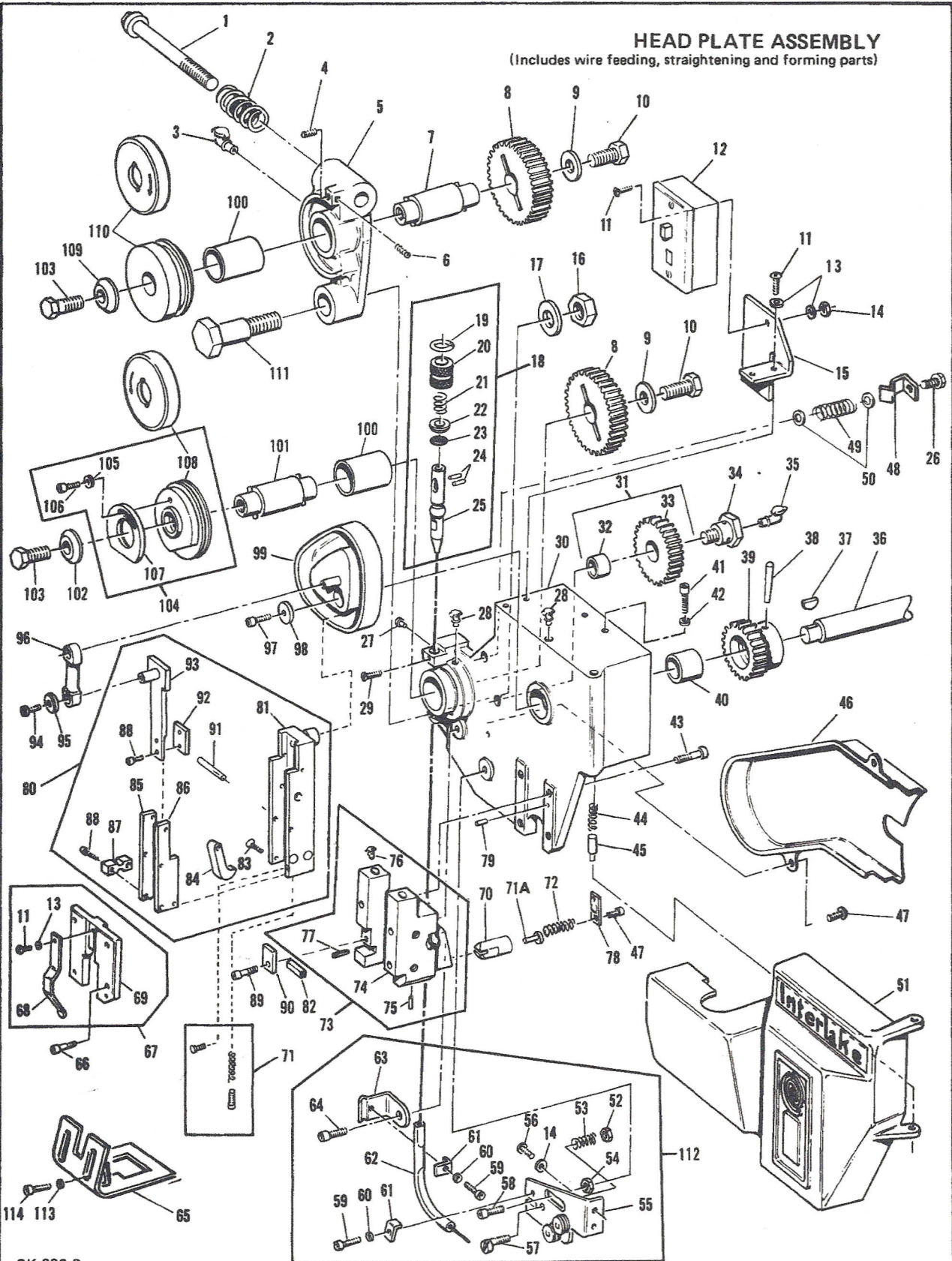


FIGURE 40

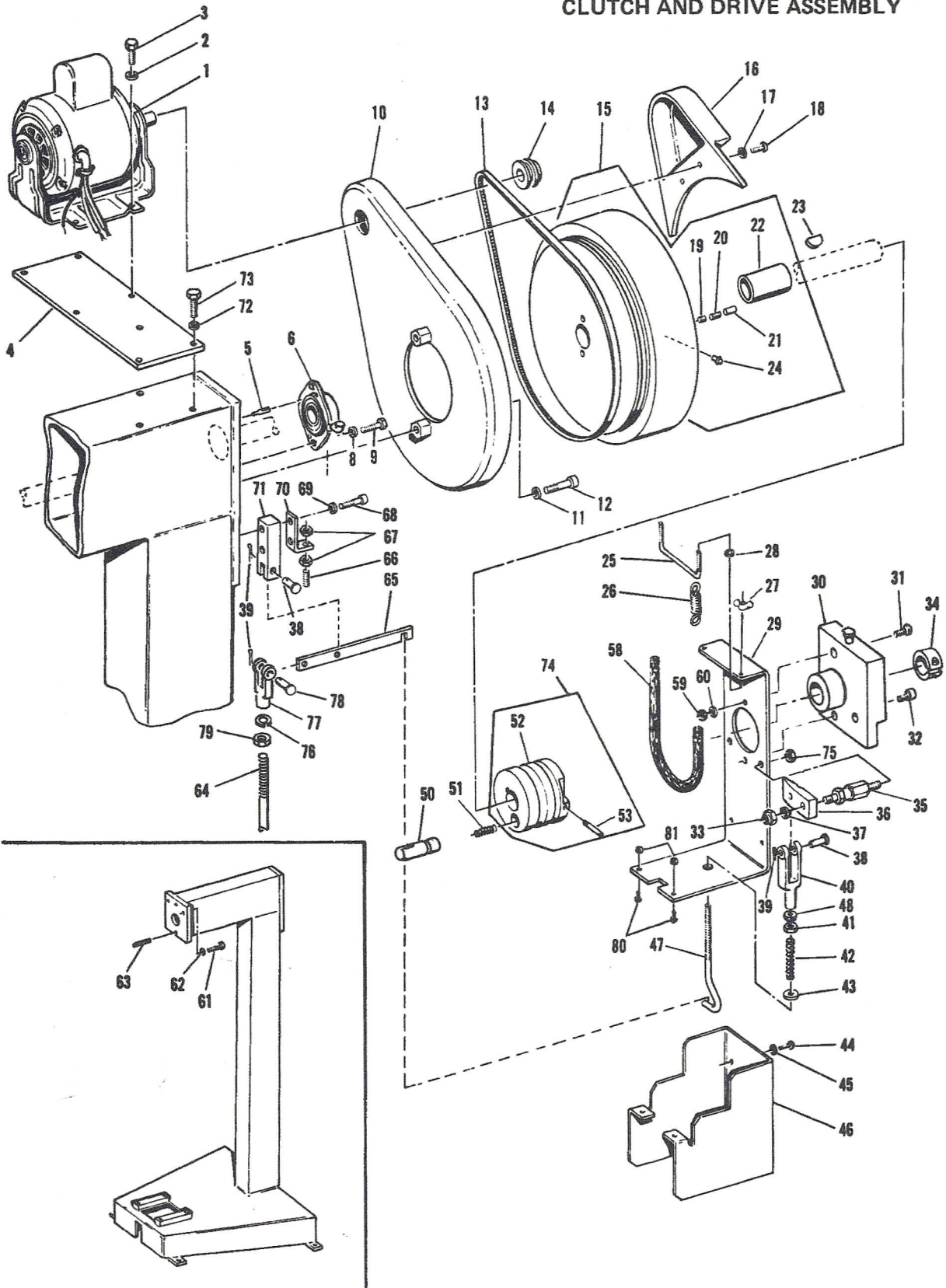


# ISP Stitching & Bindery Products

Index Number	Part Number	Part Name	Number Required	Index Number	Part Number	Part Name	Number Required
1	CB-580	Compression Spring Stud	1	71	CB-98-A	Former Plunger	1
2	CB-526	Compression Spring (Flat Wire)	1		CB-95	Former Plunger Spring	1
	CB-526-A	Compression Spring (Arcuate)	1		CB-96	Former Plunger Screw	1
3	CB-45-H	Oil Cup	1			(5/16" crown or under)	
4	CB-141	Hinge Adjusting Lock Screw	1	71A	CB-1101	Wire Gripper Pin	1
5	CB-47-A-1	Head Plate Hinge	1			(3/8" crown or over)	
6	CB-596	Hinge Adjusting Screw	1	72	CB-114	Anvil Spring	1
7	CBB-29	Feed Wheel Shaft - Left	1	73	CBB-115	Slide Box Assembly	1
	CBB-29-A	Feed Wheel Shaft - Left - Arcuate	1	74	CB-115	Slide Box	1
8	CB-28	Feed Wheel Gear	2	75	CB-92	Anvil Stop Pin	1
9	CB-329	Gear Washer	2	76	CB-45	Oil Cup	3
10	CB-35-A	Capscrew	2	77	CB-284	Cutter Tube Clamp Pin	1
11	CB-126	10-32 x 3/8" Rd. Hd. Machine Screw	5	78	CB-111	Anvil Plate	1
12	CB-285-C2	Manual Starting Switch	1	79	CB-118	Dowel Pin	2
13	CB-988	Lockwasher	5	80	CBBB-83-J8	Former & Driver Assembly	1
14	CB-278	Nut	2			7/16" Crown, .103 x .020 Arcuate Wire	
15	CB-2069-F	Switch Bracket	1		CBBB-83-	Former & Driver Assembly	1
16	CB-735	Hinge Stud Nut	1			7/16" Crown, .103 x .020 Flat Wire	
17	CB-734	Lockwasher	1	81	CBB-83	Former Housing & Stud Assembly	1
18	CBB-340	Check Pawl Assembly	1	82	CB-52	Cutter Tube	1
19	CB-517	Wire Check Pin Retainer	1		CBB-52W	Cutter Tube - Arcuate	1
20	CB-515	Wire Check Sleeve	1	83	CB-55	Former Leg & Screw	6
21	CB-337	Check Pawl Spring	1	84	CB-93	Supporter	1
22	CB-335	Spring Retaining Washer	1	85	CB-58	Left Former Leg	1
23	CB-340	Lock Ring	1		CB-58-G6	Left Former Leg - Arcuate	1
24	CB-516	Wire Check Pin	2			(.103 x .020 Wire)	
25	CB-513	Check Pawl Body (for .103 Wire)	1	86	CB-60	Right Former Leg	1
26	CB-2249	Screw	1		CB-60-G6	Right Former Leg - Arcuate	1
27	CB-681	Stop Pin	1			(.103 x .020 Wire)	
28	CB-45	Oil Cup	2	87	CB-57	Cutter Blade (1/8" Thick)	1
29	CK-29	Lock Screw	1		CB-57-B	Cutter Blade (3/16" Thick)	1
30	CB-47-H2	Head Plate	1		CB-57-D	Cutter Blade (1/4" Thick)	1
31	CBB-26-H	Idler Gear and Bushing	1		CB-57-E	Cutter Blade (5/16" Thick)	1
32	CB-712-1	Bushing	1		CB-57-G	Cutter Blade (3/8" Thick)	1
33	CB-26-H	Idler Gear	1		CB-57-M	Cutter Blade (1/4" Thick, Angle Cut-off)	1
34	CB-61-B	Idler Gear Stud (L.H. Thread)	1		CB-57-P	Cutter Blade (5/16" Thick, Angle Cut-off)	1
35	CB-45-E	Oil Cup	1		CB-57-A3	Arcuate Cutter Blade (1/8" Thick)	1
36	CB-107-L4	Drive Shaft (16" Stitcher)	1		CB-57-C3	Arcuate Cutter Blade (3/16" Thick)	1
	CB-107-M4	Drive Shaft (25" Stitcher)	1		CB-57-E3	Arcuate Cutter Blade (1/4" Thick)	1
37	CB-75	Woodruff Key	1		CB-57-G3	Arcuate Cutter Blade (5/16" Thick)	1
38	CB-106	Drive Gear Taper Pin	1		CB-57-I3	Arcuate Cutter Blade (3/8" Thick)	1
39	CB-104	Drive Gear	1	88	CB-56	Screw	4
40	CB-105	Head Plate Bushing	1	89	CB-53	Cutter Tube Clamp Screw	1
41	CB-51	1/4-20 x 3/4" Soc. Hd. Capscrew	2	90	CB-54	Cutter Tube Clamp	1
42	CB-371-A	1/4" Lockwasher	2	91	CB-91	Supporter Stud	1
43	CB-110-A	Soc. Head Screw	3	92	CB-117-A	Driver End	1
44	CB-128	Spring	2		CB-117-M6	Driver End - Arcuate	1
45	CB-2062	Hinge Pin	2			(.103 x .020 Wire)	
46	CB-27	Gear Guard	1	93	CBB-82-A	Drive Bar & Stud Assembly	1
47	CB-112	Screw	4	94	CB-79	Screw	2
48	CB-2247	Latch	1	95	CB-80	Washer	2
49	CB-364	Spring	1	96	CB-81	Driver Link	1
50	CB-2125	Washer	2	97	CB-77	Screw	1
51	CBB-69-L	Cover	1	98	CB-76	Washer	1
52	CB-860-C	Elastic Stop Nut	1	99	CBB-74	Former Cam & Stud	1
53	CA-9069	Eccentric Spring	1	100	CB-1153-A	Bronze Bearing	2
54	CB-102	5/16-18 Hex Nut	1	101	CBB-37-A	Feed Wheel Shaft - Right	1
55	CBB-1293-A	Straightener Bracket & Roller Assembly	1		CBB-29-A	Feed Wheel Shaft - Right - Arcuate	1
56	CB-46	10-32 x 1/2" Rd. Hd. Machine Screw	2	102	CB-34-C	Feed Wheel Washer	1
57	CB-1299	Wire Straightener Eccentric	1		CB-34-D	Feed Wheel Washer - Arcuate	1
58	CB-110-B	5/16-18 x 1-3/4" Soc. Hd. Screw	1	103	CB-35-C	Feed Wheel Screw	2
59	CR-128	8-32 x 1/2" Soc. Hd. Capscrew	2	104	CBB-36-F1	Feed Wheel Assembly - Right - Arcuate	1
60	CB-1262	Washer	2	105	CB-806	Washer - Arcuate	1
61	CB-1296	Wire Tube Clamp	2	106	CB-325	Screw - Arcuate	1
62	CB-1301-B	Wire Feed Tube	1	107	CB-804	Feed Wheel Cam - Arcuate	1
63	CB-1295-A	Bracket	1	108	CB-36-A	Feed Wheel - Right	1
64	CB-388	Soc. Head Screw	1		CB-36-F1	Feed Wheel - Right - Arcuate	1
65	CB-2111-D	Finger Guard	1	109	CB-34-D	Feed Wheel Washer	1
66	CB-51	Face Plate Screw	3	110	CB-32-A	Feed Wheel - Left	1
67	CBB-86-D2	Face Plate Assembly	1		CB-32-F1	Feed Wheel - Left - Arcuate	1
68	CB-89-C	Supporter Spring	1	111	CB-577-A	Hinge Stud	1
69	CB-86-D2	Face Plate	1	112	CBBB-	Wire Straightener & Guide Assembly	1
70	CB-116-P3	Anvil - 3/8" Crown	1		1293-B		
	CB-116-L3	Anvil - 7/16" Crown	1	113	CB-988-A	#8 Lockwasher	2
	CB-116-O3	Anvil - 1/2" Crown	1	114	CB-401	#8-32 x 3/8" Rd. Hd. Capscrew	2

# MODEL HF SILVERSTITCHER

## CLUTCH AND DRIVE ASSEMBLY



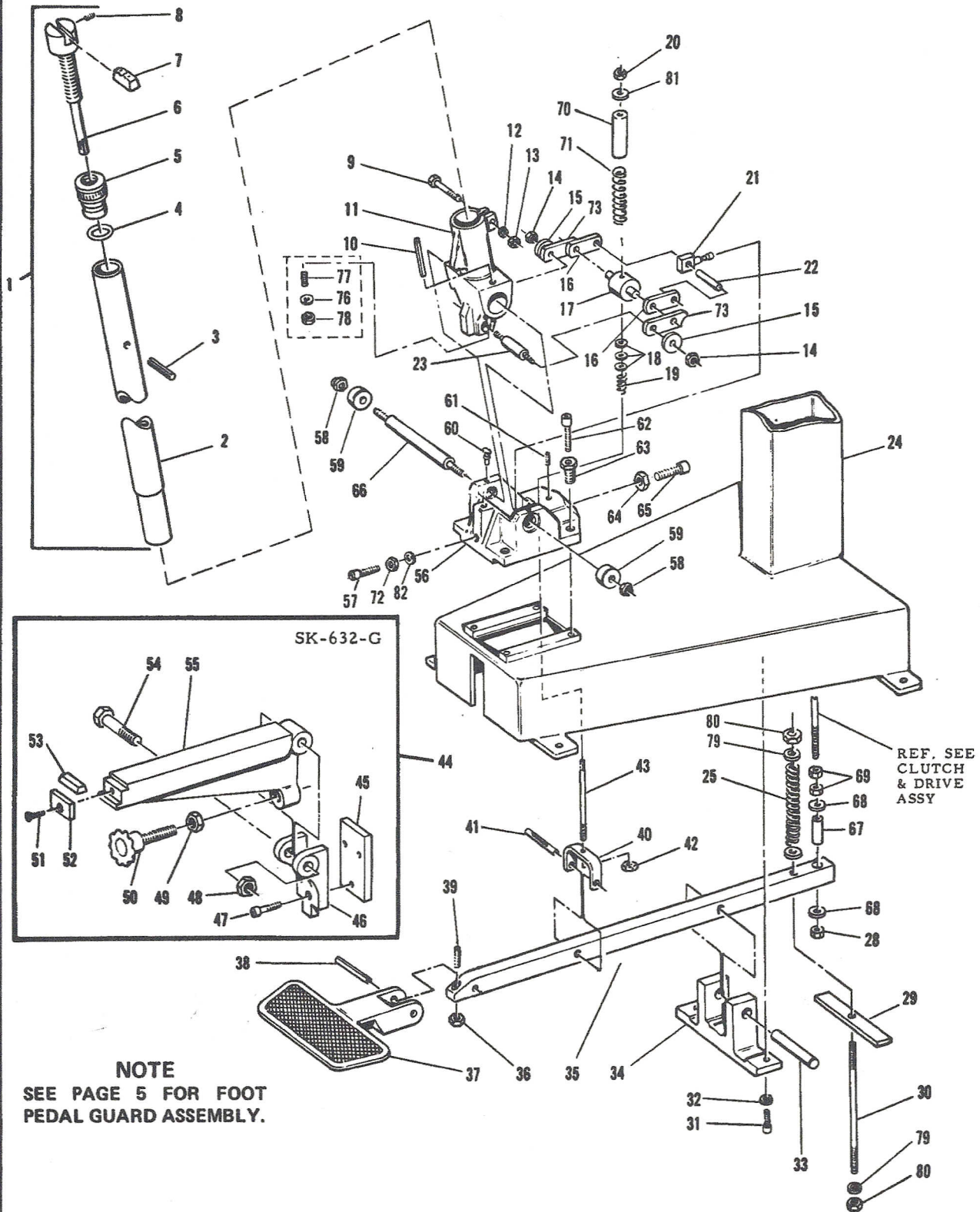


# ISP Stitching & Bindery Products

Index Number	Part Number	Part Name	Number Required	Index Number	Part Number	Part Name	Number Required
1	M-3-LA	Electric Motor, 1/3 H.P. - 1725 RPM - 60 cycle - 7.0A - 1 Phase - 115 VAC	1	42	CB-114	Spring	1
2	CB-175	Washer	4	43	CB-718	Washer	1
3	CB-35-A	5/16-18 x 5/8" Hex. Hd. Screw	4	44	CB-287-A	6-32 x 1/4" Rd. Hd. Machine Screw	2
4	CB-13-P	Motor Bracket	1	45	CK-50	6-32 Lockwasher	2
5	CB-2075	Lok Dowel	2	46	CB-2054	Rear Cover	1
6	CBB-2073-B	Flange Cartridge Bearing	1	47	CB-2050	Clutch Plate Pull Rod	1
7	Not Used			48	CB-493	1/4-20 Nut	1
8	CB-371-B	Lockwasher	2	49	Not Used		
9	CB-53	Hex. Hd. Capscrew	2	50	CB-130-A	Clutch Pin	1
10	CB-2020-B	Belt Guard	1	51	CB-128	Spring	1
11	CB-371-B	Lockwasher	2	52	CB-129-H	Clutch Hub	1
12	CB-110-C	Soc. Hd. Screw	2	53	CB-127	Clutch Pin Guide Screw	1
13	CB-1298-B	V-Belt	1	54	Not Used		
14	CB-176-A	Pulley	1	55	Not Used		
15	CBB-20-A2	Drive Wheel Assembly	1	56	Not Used		
16	CB-2021	Motor Pulley Guard	1	57	Not Used		
17	CB-988	Lockwasher	2	58	CB-123-B	Brake Strap	1
18	CB-624	Rd. Hd. Machine Screw	2	59	CB-102	5/16-18 Hex Nut	2
19	CB-377-C	Socket Setscrew	2	60	CB-371-B	Lockwasher	2
20	CB-377-B	Socket Setscrew	2	61	CB-375-A	3/8-16 x 1-1/2" Hex. Hd. Capscrew	3
21	CB-131	Drive Pin	2	62	CB-889	Lockwasher	3
22	CB-693-C	Bushing	1	63	CB-835-L	Roll Pin	2
23	CB-286	Woodruff Key	1	64	CB-2055-D	Lift Rod	1
24	CB-45-A	Oil Cup	1	65	CB-2051-B	Pull Rod Lever	1
25	CB-2059	U-Bolt	1	66	CK-30	Dog Point Setscrew	1
26	D-30473-F	Brake Spring	1	67	CB-411	Hex. Jam Nut	2
27	CB-2174	Wing Nut, #5-40	2	68	CB-629-A	1/4-20 x 1" Soc. Hd. Screw	2
28	CB-2175	Nut, #5-40	2	69	CB-371-A	Lockwasher	2
29	CBB-2053-C	Bracket & Bearing Block Assembly	1	70	CB-2067	Stop Bracket	1
	CB-2053	Bracket (Only)		71	CB-2052	Clevis	1
30	CBB-2162	Bearing Block Assembly	1	72	CB-371-A	Lockwasher	3
31	CB-2172	Upper Screw	1	73	CB-487-A	1/4-20 x 5&8" Hex. Hd. Capscrew	3
32	CB-53	Lower Screw	1	74	CBB-129-Q	Clutch Hub Assembly	1
33	CB-860	5/16-18 Elastic Stop Nut	2	75	CB-102	Nut	1
34	CB-1297	Split Collar	1	76	CB-889	3/8 Lockwasher	1
35	CB-133-A	Clutch Plate Stud	1	77	CB-11	Lift Rod Fork	1
36	CB-134-B	Clutch Plate	1	78	CB-171-B	Pin (With Cotter)	1
37	CT-32-B	Washer	1	79	D-30541-F	3/8-16 NC Nut	2
38	CB-171-A	Pin	2	80	D-27396-F	#5-40 x 3/8" Rd. Hd. Screw	2
39	CB-451	Cotter Pin	2	81	D-27398-F	#5-40 Elastic Stop Nut	2
40	CB-11-A	Fork	1				
41	CB-860-C	Elastic Stop Nut	1				

# MODEL HF SILVERSTITCHER

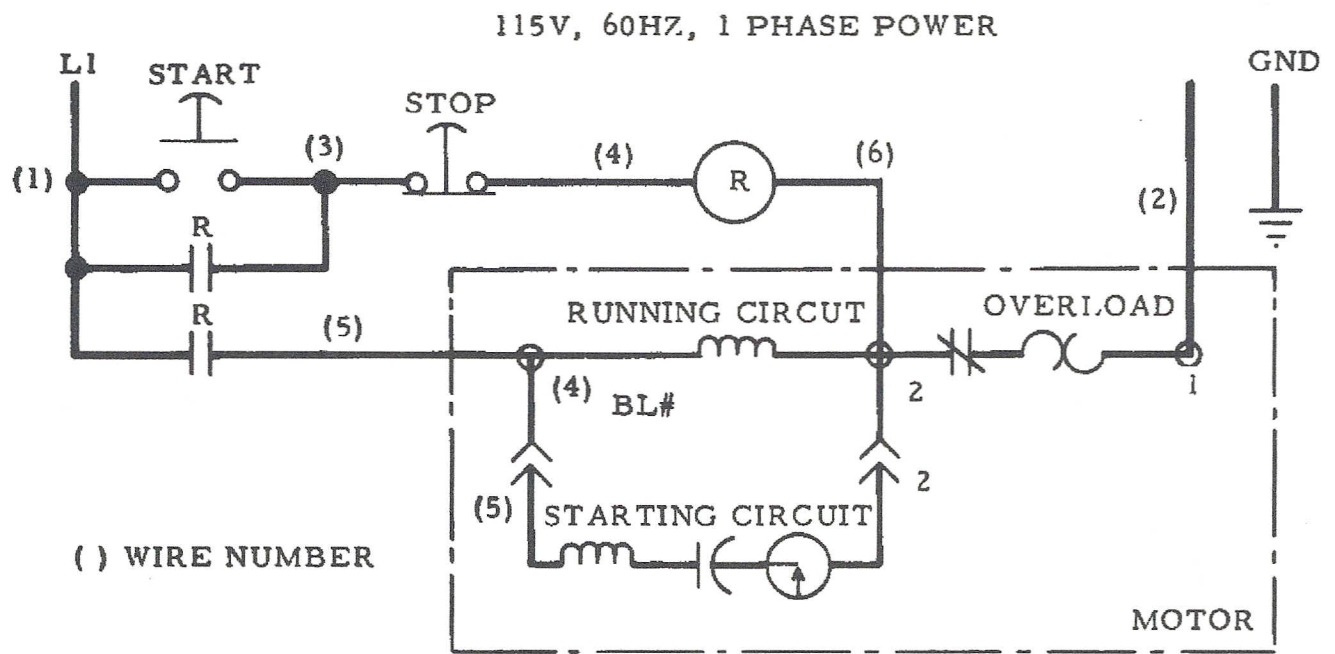
## FRAME, PEDAL, ARM AND POST ASSEMBLY



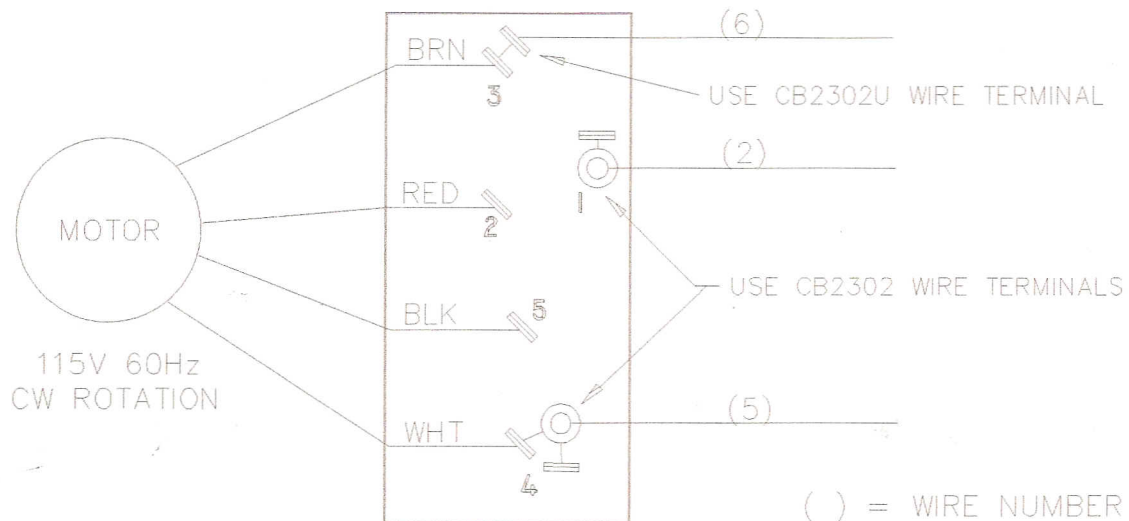


# ISP Stitching & Bindery Products

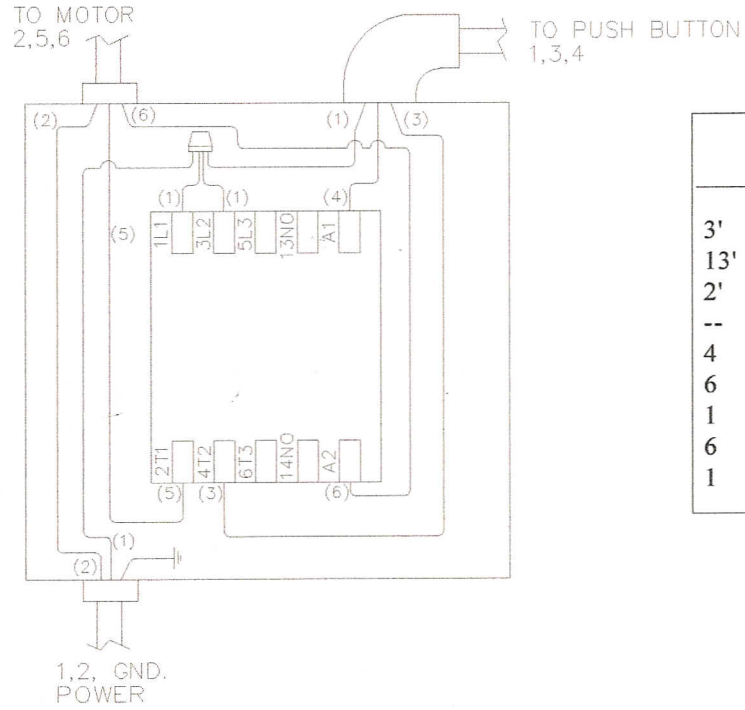
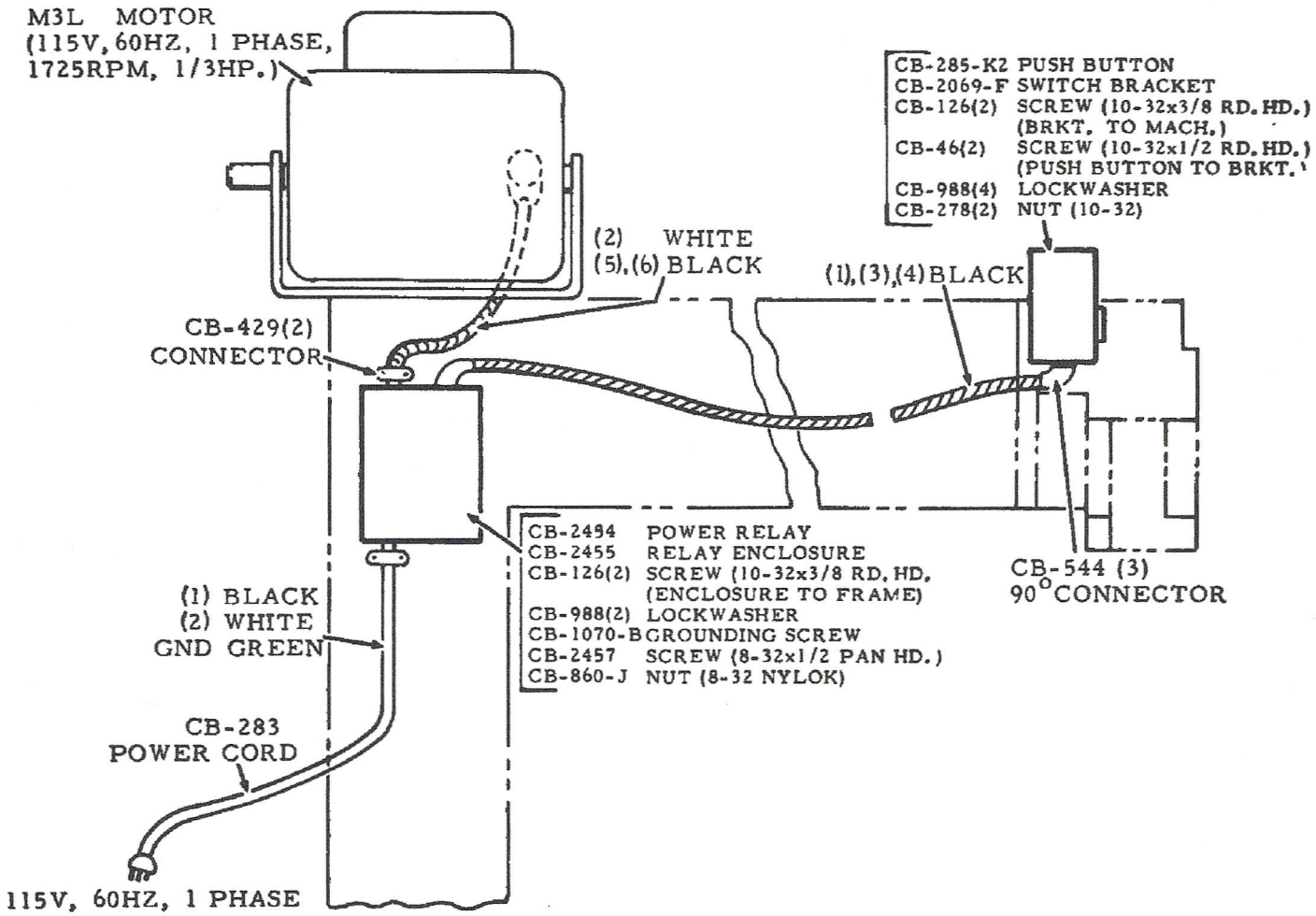
Index Number	Part Number	Part Name	Number Required	Index Number	Part Number	Part Name	Number Required
1	CBBB-121-A3	Post Assembly	1	47	CB-192-A	Arm Bracket Screw (16" Stitcher)	3
2	CB-121-A3	Post Tube	1		CB-192-B	Arm Bracket Screw (25" Stitcher)	3
3	CB-835-M	Roll Pin	1	48	CB-195	Pivot Bolt Nut (16" Stitcher)	1
4	CB-2074	"O" Ring	1		CB-195-C	Pivot Bolt Nut (25" Stitcher)	1
5	CB-15-B	Adjusting Nut	1	49	CB-302	Hex. Nut	1
6	CB-14-M	Post Head	1	50	CBB-19-A	Arm Adjusting Nut & Stud	1
7	CB-119	Clincher Block (1/2" Crown)	1	51	CB-189	Clamp Screw (16" Stitcher)	1
	CB-119-Z	Clincher Block (7/16" Crown)	1		CB-189-A	Clamp Screw (25" Stitcher)	1
	CB-119-B	Clincher Block (3/8" Crown)	1	52	CB-188	Clincher Block Clamp (16" Stitcher)	1
8	CB-59	Clincher Block Screw	1		CB-188-B	Clincher Block Clamp (25" Stitcher)	1
9	CB-631	3/8-16 x 2-1/2" Hex. Hd. Capscrew	1	53	CB-187-K7	Clincher Block (16" Stitcher - 7/16" Crown)	1
10	CB-835	Roll Pin	1		CB-187-U7	Clincher Block (25" Stitcher - 7/16" Crown)	1
11	CB-2-F	Post Support	1		CB-187-C	Clincher Block (16" Stitcher - 3/8" Crown)	1
12	CB-889	Lockwasher	1		CB-187-E	Clincher Block (25" Stitcher - 3/8" Crown)	1
13	D-30541-F	3/8-16 N.C. Hex. Jam Nut	1		CB-187-F	Clincher Block (16" Stitcher - 1/2" Crown)	1
14	CB-860	5/16-18 Elastic Stop Nut	2		CB-187-H	Clincher Block (25" Stitcher - 1/2" Crown)	1
15	CB-329	Washer	2	54	CB-191	Pivot Bolt (16" Stitcher)	1
16	CB-2088	Toggle Link	2		CBB-191-A	Pivot Bolt (25" Stitcher)	1
17	CB-2089	Toggle Pin	1	55	CB-17-H8	Straight Arm - 16"	1
18	CB-718	Washer	3		CB-17-B	Straight Arm - 25"	1
19	CB-364	Spring	1	56	CB-158-J	Post Support Bracket	1
20	CB-860-C	Elastic Stop Nut	1	57	CB-377-G	Square Head Setscrew	1
21	CB-2092	Toggle Adjusting Stud	1	58	CB-860-A	1/2-20 NF3 Elastic Stop Nut	2
22	CB-2091	Toggle Pin	1	59	CB-827	Pivot Bearing	2
23	CB-2090	Post Toggle Pin	1	60	CB-45	Oil Cup - Gits No. 360	2
24	CB-1-M5	Frame (16" Stitcher)	1	61	CB-377-B	Socket Setscrew	1
	CB-1-N5	Frame (25" Stitcher)	1	62	CB-689	1/2-13 x 1-3/4" Soc. Hd. Capscrew	4
25	CB-2278	Foot Lever Spring (16" Machine)	1	63	CB-828-A	Adjusting Foot	4
	CB-2197	Foot Lever Spring (25" Machine)	3	64	CB-2094	5/8-18 Hex. Nut	1
26	Not Used			65	CB-2093	5/8-18 x 1-1/2" Soc. Setscrew	1
27	Not Used			66	CB-2056	Pivot Stud	1
28	CB-821	3/8-16 Elastic Stop Nut	1	67	CB-2196	Spacer (16" Machine)	1
29	CB-2098	Bar	1		CB-2196-A	Spacer (25" Machine)	1
30	CB-2279	Rod (16" Stitcher)	1	68	CB-179	Washer	2
	CB-2279-A	Rod (25" Stitcher)	1	69	D-30541-F	Hex. Nut	2
31	CB-487-B	1/4-20 x 1" Hex. Hd. Capscrew	2	70	CB-2277	Spacer	1
32	CB-371-A	1/4" Lockwasher	2	71	CB-962-A	Compression Spring	1
33	CB-2061	Pivot Pin	1	72	CB-145-A	1/2-13 Hex. Nut	1
34	CB-2018-A	Bracket	1	73	CB-2088-A	Link	2
35	CB-4-F	Foot Pedal Lever (16" Machine)	1	74			
	CB-4-G	Foot Pedal Lever (25" Machine)	1	75			
36	CB-102	Nut	1	76	CB-889	3/8 Lockwasher	1
37	CB-16-H	Foot Pedal	1	77	CB-377-F	3/8-16 x 1" Soc. Setscrew - Flat Point	1
38	CB-835-N	Roll Pin	1	78	D-30541-F	3/8-16 Hex. Nut	1
39	CB-890	Setscrew	1	79	CB-175	Washer (16" Stitcher)	2
40	CB-2101	Bracket	1		CB-718	Washer (25" Stitcher)	2
41	CB-2106	Grooved Pin	1	80	CB-860	Nut (16" Stitcher)	2
42	CB-493	1/4 Hex. Nut	1		CB-860-C	Nut (25" Stitcher)	2
43	CB-2100-B	Toggle Pull Rod	1	81	CB-175	Washer	1
44	CBB-17-H8	Straight Arm Assembly (16" Machine)	1	82	CB-734	1/2" Lockwasher	1
	CBB-17-J8	Straight Arm Assembly (25" Machine)	1				
45	CB-2120	Back Plate (16" Stitcher)	1				
	CB-2120-A	Back Plate (25" Stitcher)	1				
46	CB-18	Arm Bracket (16" Stitcher)	1				
	CB-18-A	Arm Bracket (25" Stitcher)	1				



### MOTOR TERMINAL BLOCK







MISCELLANEOUS HARDWARE NOT INDICATED		
3'	E14	3/8 FLEXIBLE STEEL CONDUIT
13'	EF1309F	14 GA. STRANDED WIRE-BLACK
2'	EF1311F	14 GA. STRANDED WIRE-WHITE
--	EF1307F	14 GA. STRANDED WIRE-GREEN
4	D37200F	BUSHING
6	CB2302	PRESSURE TERMINAL
1	ERC55	WIRE JOINT
6	CB2302B	DISCONNECT TERMINAL
1	CB2302C	WIRE JOINT